

User Manual easyfoam365+ foam gun

Article-Nr.: 106 996 500



The choice of perfection

Description

The foam gun is used for creating foam with foaming agents, which are suitable for producing foam. For cleaning, degreasing or disinfecting when a foam is desired to increase surface contact time. Supermarket and packing house meat cutting rooms and equipment. Food handling and preparation areas, institutional, industrial, or public restrooms, shower rooms and locker rooms. Animal cages, dairy equipment, trucks, cars and other equipment.



General safety notes

- To guarantee safe operation the foam gun may only be used in accordance with these Operating Instructions.
- Keep these Operating Instructions in a safe place for later reference.
- Please also observe the safety instructions for the detergent.
- Do not mix detergents one with the other.
- Wear suitable protective clothing, eye protection and gloves when working.
- Never direct the foam gun jet at persons or other living creatures.
- Read the safety notes and observe the corresponding safety and handling regulations.
- Do not spray water or solution into an electrical outlet. Severe electric shock could result.
- Do not put your hands in your mouth after handling the product. Please do not put the product in your mouth.
- Wash your hands after touching this product. The brass in this product contains lead, a chemical known to cause cancer and birth defects or other reproductive harm.



Info *In addition the required safety and legal regulations for the respective type of use must be observed. This also applies to all accessories used.*



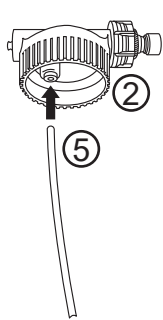
Intended use

- The foam gun is used for admixing foaming agent to water, subsequent foaming and then foam application. By pressing the handle it creates a horizontal or vertical fan jet, depending on the orientation of the foam nozzle. The foam gun should always be kept upright.
- Only Pressure Equipment Directive (PED) Group 2 liquids may be used as media.
- **The housing was made of PP-GF40 and is not suitable for foaming with strong acids (pH-value <4), for example formic acid, hydrofluoric acid etc.**
- The unit may only be used with a waterpressure of max. 6 bar.
- The unit is not designed for use with persons with restricted sensory and mental capabilities due to lack of experience and/or lack of knowledge unless they are supervised by a person responsible for their safety or if they have received instruction from that person in use of the equipment.
- In general children are forbidden to use this equipment.

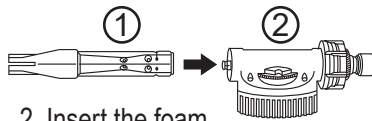


After using the foam gun please return unused chemical to original container. Rinse bottle, refill with water or the appropriate solvent, and spray for several minutes to rinse out orifice within mixing chamber. In instances where a chemical is particularly caustic or viscous, it may be necessary to soak the mixing head in water or neutralizer. This should eliminate contamination of the mixing head and build up of dried chemicals. Flush the foam lance internally and externally with clear water after use. Otherwise there is the risk that substances adhering accumulate and adversely affect proper functioning of the foam lance. Never disassemble the foam gun when the water supply line is open. Incorrectly use, improperly maintenance or abuse is not permitted. Order numbers of spare parts can be found overleaf.

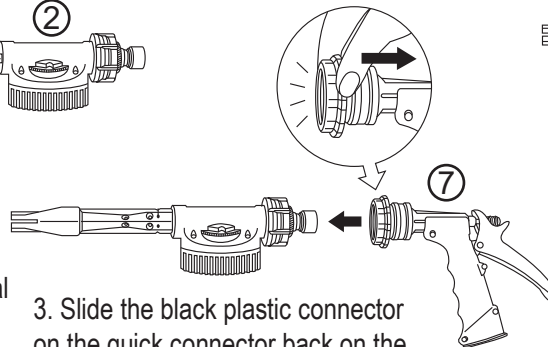
Assembly



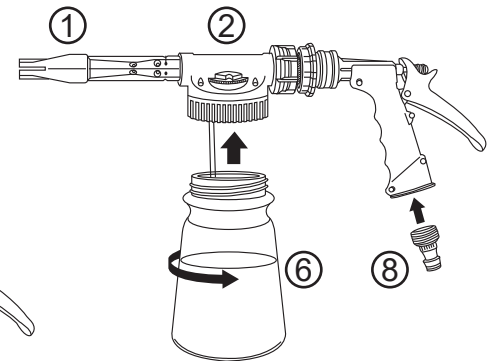
1. Insert the siphon pipe into the connection below the blue mixing head. The sieve points down.



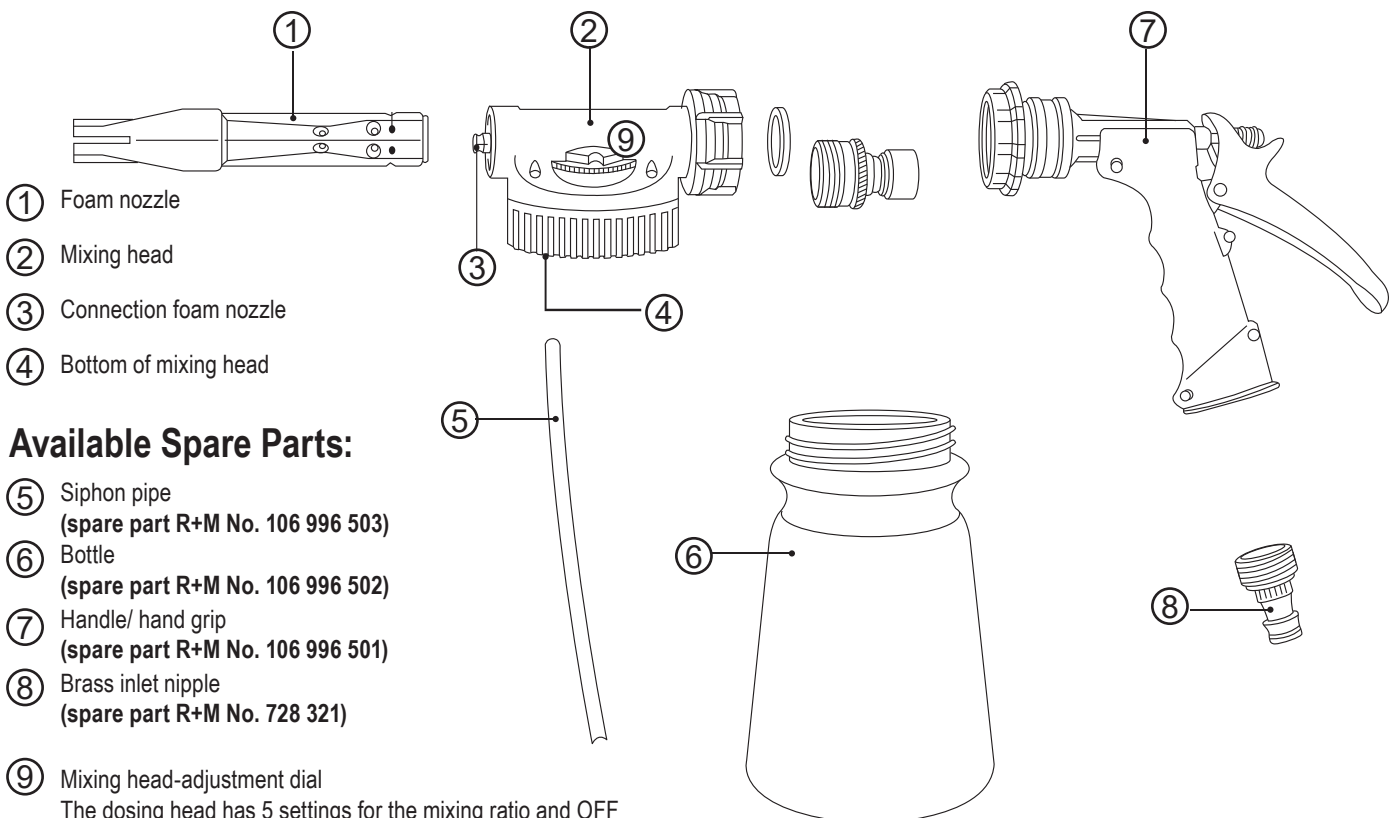
2. Insert the foam nozzle into the mixhead, paying attention to the outlet, which may produce a horizontal or vertical spray.



3. Slide the black plastic connector on the quick connector back on the handle and leave the mixing head on the brass tightly snap in connection.



4. Fill the bottle with the desired foaming agent and place the bottle under the compound mixing head. Turn the bottle closed. The brass inlet nipple is screwed into the bottom of the hand grip.



- ① Foam nozzle
- ② Mixing head
- ③ Connection foam nozzle
- ④ Bottom of mixing head

Available Spare Parts:

- ⑤ Siphon pipe
(spare part R+M No. 106 996 503)
- ⑥ Bottle
(spare part R+M No. 106 996 502)
- ⑦ Handle/ hand grip
(spare part R+M No. 106 996 501)
- ⑧ Brass inlet nipple
(spare part R+M No. 728 321)

- ⑨ Mixing head-adjustment dial
The dosing head has 5 settings for the mixing ratio and OFF

A	B	C	D	E	O
1:128	1:64	1:32	1:20	1:10	off
3,8	7,6	15,2	22,8	45,6	(l/min.)
1	2	4	6	12	(oz./gal.)

Technical data

Pressure	2,5 - 6 bar
Max. flow	5,5 l/min