



## **Spare Parts List**

ipc Div.SOTECO

Ref: ASDO13385

Cust.Ref: 7020600

Model: VACUUM CLEANER NEVADA 215 W/ACC.

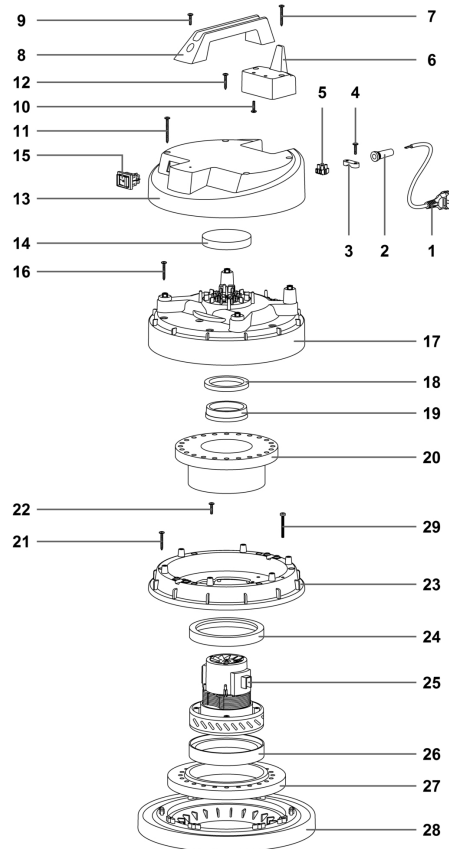
Cust.Model: ESTIC PLUS 215



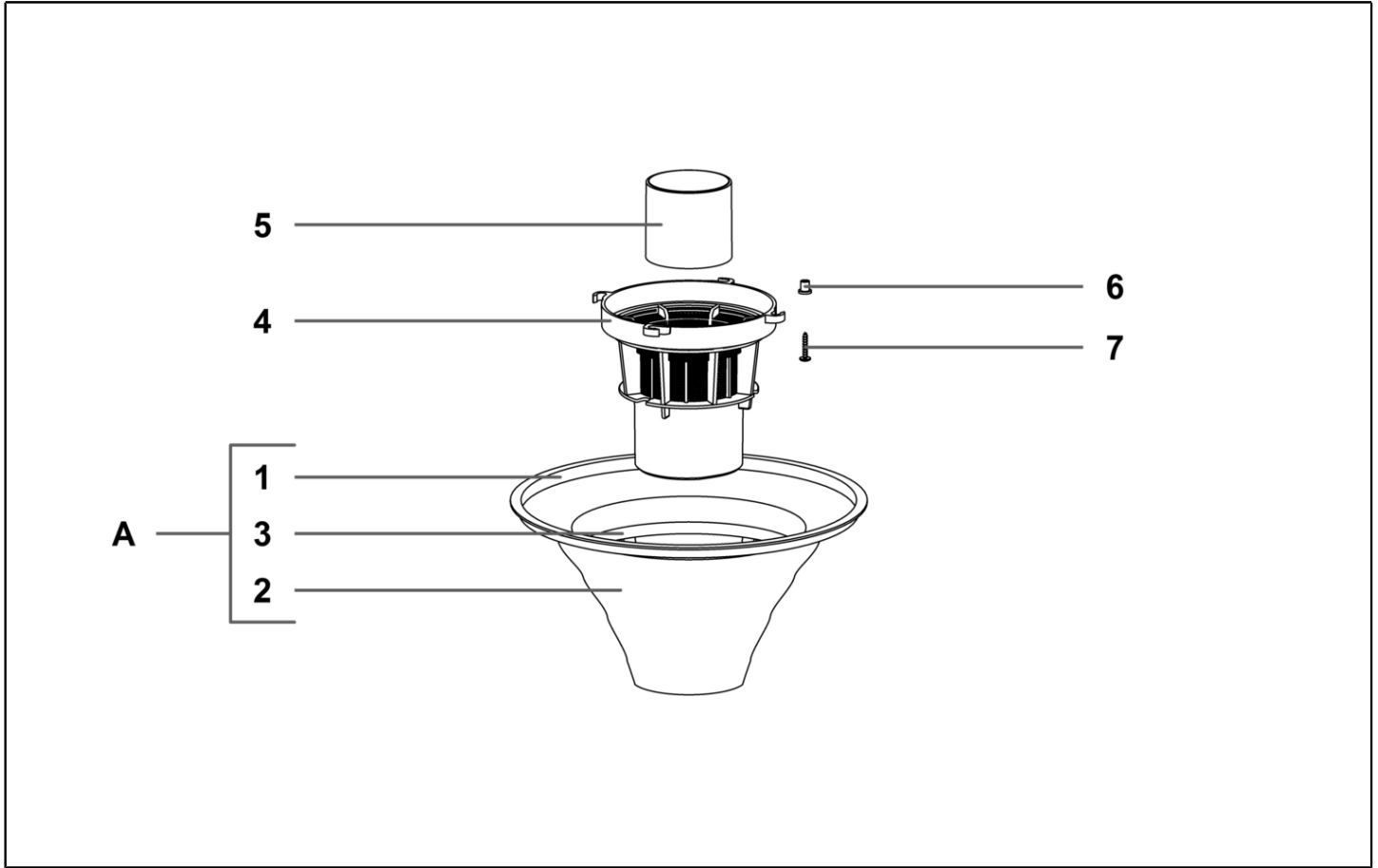
IPC Integrated Professional Cleaning

**IPC Soteco**

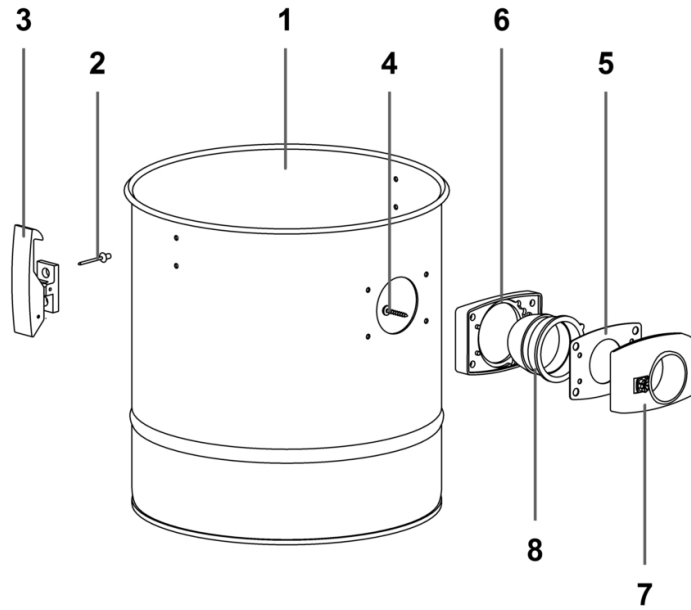
Ref. K	Part N.	Customer Part N.	Description	Quantity	Validity		Price
					From	To	
0001	PMTA08828		HEAD NEVADA 215/515 RAD.W/PL	1,00			--
0002	KTRI04435		FILTERING KIT YES SANIFIC. COMPL.	1,00			--
0003	LAFN11263		COMPL.TANK 215 AISI 430	1,00			--
0004	CARR01578		TROLLEY 200/500 SQUARE BLACK	1,00			--



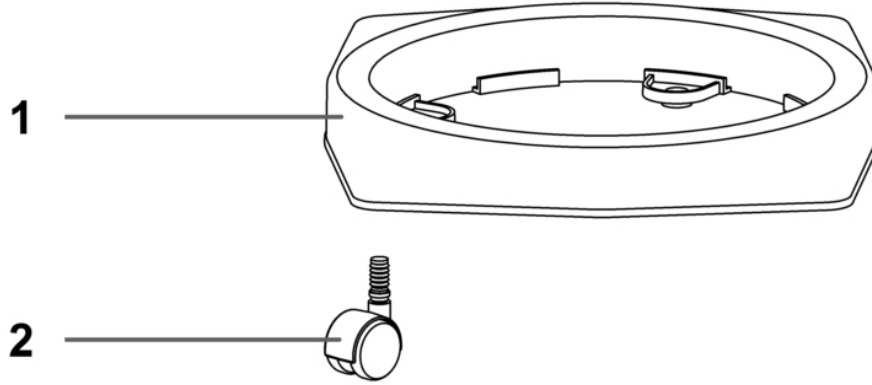
Ref. K	Part N.	Customer Part N.	Description	Quantity	Validity		Price
					From	To	
*	F5VR00127		CLAMP	1,00			--
*	MECB35712		WIRE WITH RESISTANCE	1,00			--
*	MECB01820		MOTOR WIRING 40CM	1,00			--
0001	MECB28672		ELECTRIC CORD 2X1 MT.8,5	1,00			--
0002	MEVR28673		FAIRLEAD	1,00			--
0003	MPVR28690		CABLE CLAMP	1,00			--
0004	VTVT71961		SCREW PFU TMT PHL 5X20 BLACK	2,00			--
0005	MECB01161		TERMINAL BOARD 300-500 2P RAD	1,00			--
0006	MPVR09233		HOOK P/CABLE NEV.200 GR.5000	1,00			--
0007	VTVT72106		SCREW PAT TMT PHL 5X40 BLACK	2,00			--
0008	MPVR09215		HANDLE NEVADA 200 GREY 5000	1,00			--
0009	VTVT71961		SCREW PFU TMT PHL 5X20 BLACK	1,00			--
0010	VTVT71961		SCREW PFU TMT PHL 5X20 BLACK	2,00			--
0011	VTVT32295		SCREW PAT TMT PHL 5X50	2,00			--
0012	VTVT71966		SCREW PAT TMT PHL 5X30 BLACK	2,00			--
0013	MPVR09249		COVER NEV.200 LIGHT BLUE	1,00			--
0014	FTDP38064		FILTER MTP/65 H=15 D.95	1,00			--
0015	MECI72195		ANTISPLASH SWITCH	1,00			--
0016	VTVT71971		SCREW PAT TMT PHL 5X35 BLACK	6,00			--
0017	MPVR09120		COVERING 99 S/HOLES GREY 5000	1,00			--
0018	MPVR38371		WASHER H8 D85X65	1,00			--
0019	MPVR34370		RING MOTORE H=13 (20) PLAST.	1,00			--
0020	FTDP38066		FILTER PHONO H=75	1,00			--
0021	VTVT71971		SCREW PAT TMT PHL 5X35 BLACK	6,00			--
0022	VTVT71961		SCREW PFU TMT PHL 5X20 BLACK	4,00			--
0023	MPVR08405		MOTOR FASTENER 500 LIGHT BLUE	1,00			--
0024	GUGO28683		"L" GASKET W/O HOLES H=5,5	1,00			--
0025	MOMO89283		MOT BS252 1000W 220-240 50/60 MONO	1,00			--
0026	GUVR00397		"L" GASKET S/F H=16	1,00			--
0027	FTDP38067		WASHER MTP 65MM 18D 230X145	1,00			--
0028	PMBA00269		BASE 500 MONO.C/GUA+PIA.G5	1,00			--
0029	VTVT01272		SCREW TC CROSS M 5X45 UNI 7687	1,00			--



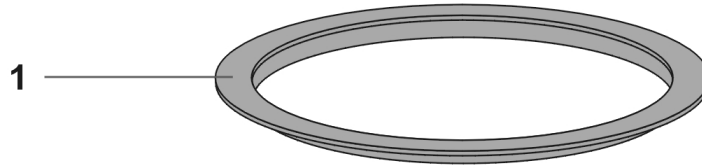
Ref. K	Part N.	Customer Part N.	Description	Quantity	Validity		Price
					From	To	
A	KTRI02133		KIT RING+FILT+BASK 500 CONIC. SAN	1,00			--
0001	MPVR36522		FILTER RING 500	1,00			--
0002	FTDP00547		FILTER POLY AN3-500 CON REG H180	1,00			--
0003	MPVR35490		LOWER CONICAL BASKET 300	1,00			--
0004	MPVR40521		NET ANTIFOAM BODY HIGH	1,00			--
0005	RCGR40008		HIGH FLOAT 99 W/GASKET 37 SHA	1,00			--
0006	MPVR35796		PLASTIC SLEEVE D.8	4,00			--
0007	VTVT36751		SCREW PAT TMT PHL 5X25	4,00			--



Ref. K	Part N.	Customer Part N.	Description	Quantity	Validity		Price
					From	To	
0001	LAFN72150		TANK 215 AISI 430	1,00			--
0002	VTVR71991		RIVET 5X11	4,00			--
0003	PMVR02868		COMPL.PLAST.HOOK GREY 5000	2,00			--
0004	VTVT71966		SCREW PAT TMT PHL 5X30 BLACK	4,00			--
0005	GUGO28701		GASKET D.38	1,00			--
0006	MPVR08679		GASKET R 205 GREY 5000	1,00			--
0007	MPVR08981		PIPE UNION R155 G5000 W/PUL.LB	1,00			--
0008	MPVR28696		DEFLECTOR 99	1,00			--



Ref. K	Part N.	Customer Part N.	Description	Quantity	Validity		Price
					From	To	
0001	MPVR07925		TROLLEY BODY SQUARED BLACK	1,00			--
0002	RTRT42006		TROLLEY BOX WHEEL	4,00			--



Ref. K	Part N.	Customer Part N.	Description	Quantity	Validity		Price
					From	To	
0001	MPVR36522		FILTER RING 500	1,00			--
0001	MPVR36522		FILTER RING 500	1,00			--