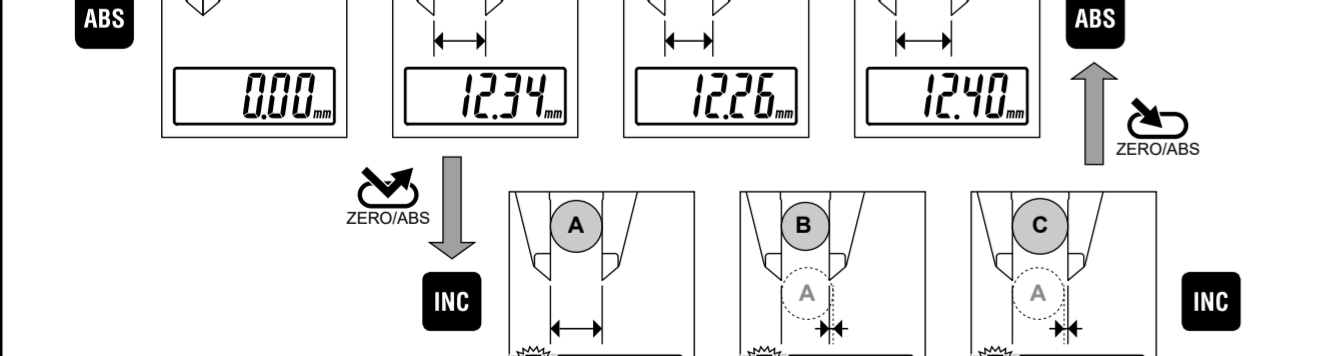
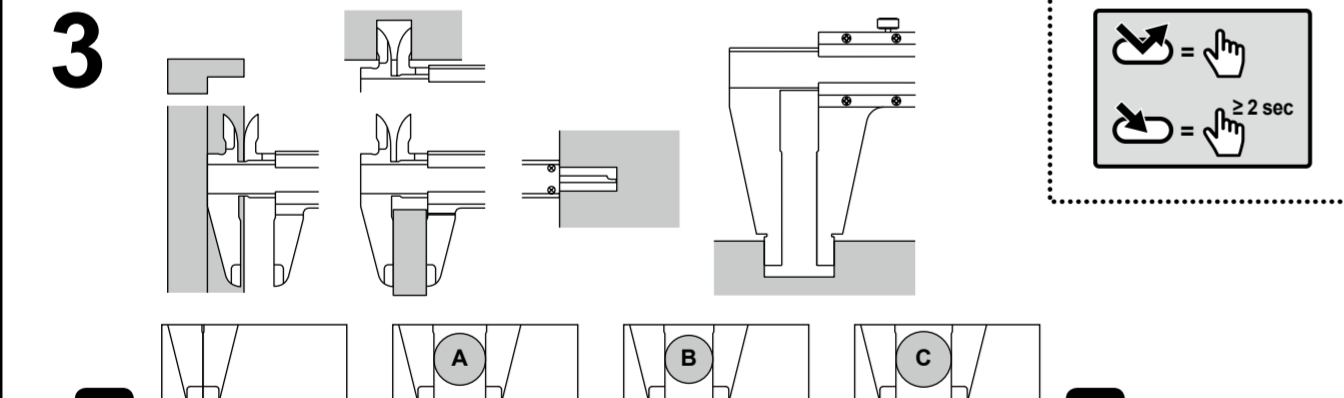
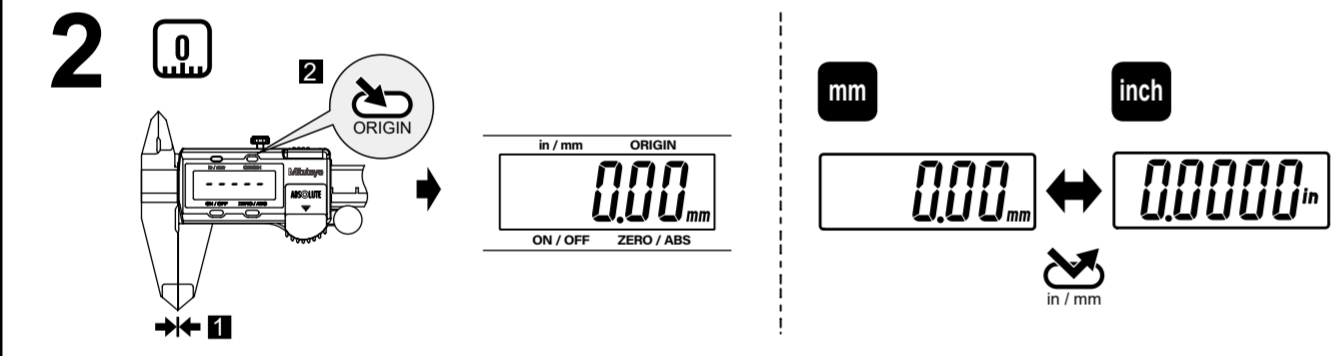
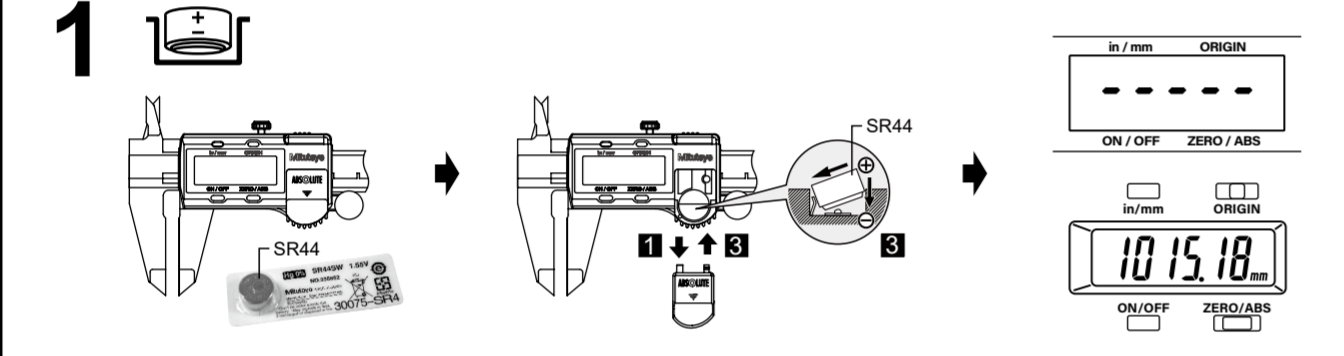
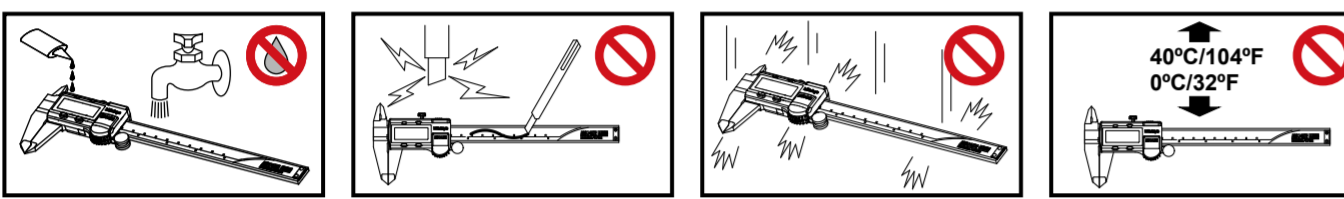
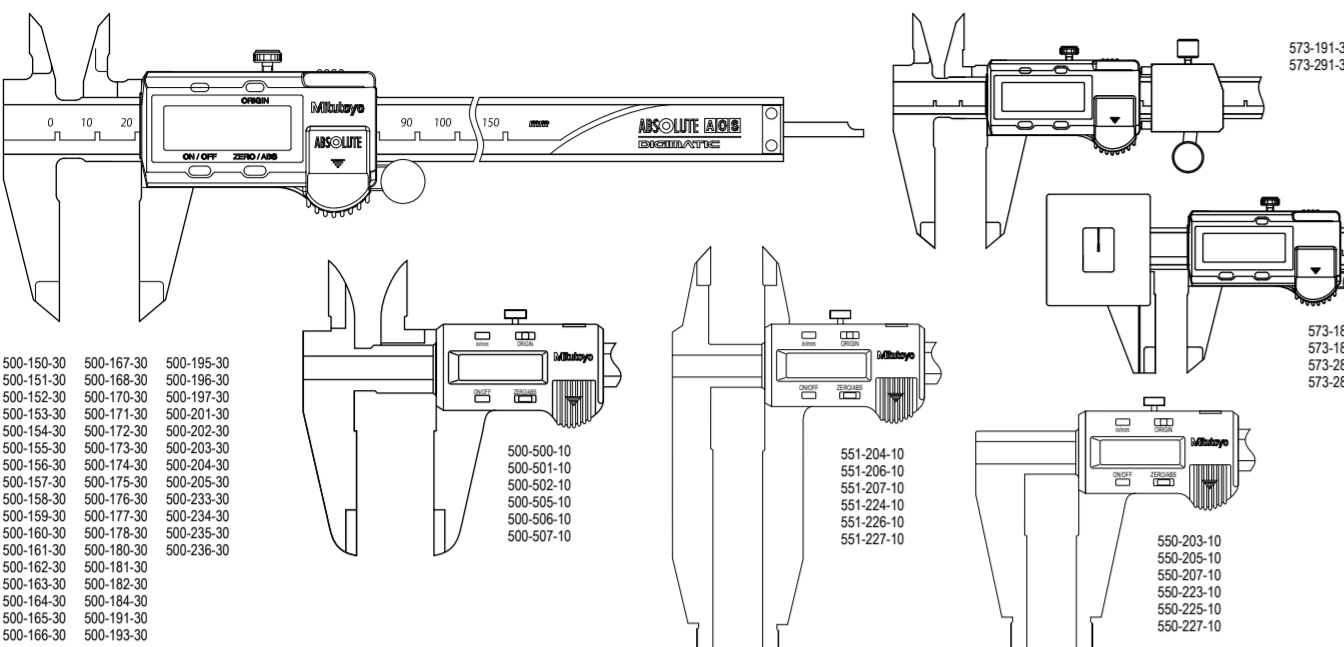




No. 99MAD027M3

ABS デジマチックキャリパ

ユーザーズマニュアル



ABS https://manual.mitutoyo.co.jp

ABS デジマチックキャリパ

安全に関するご注意

海外移転に関するご注意

警告

注意

分別処理を行うためのEU (欧州) 諸国で電気・電子機器の廃棄をする際の注意

電磁波抗性について

CEマーキング

使用上の注意

2010-y Corporation

For the EU Directive

Authorized representative and importer in the EU

Mitutoyo Europe GmbH, Borsigstrasse 8-10, 41469 Neuss, Germany

ABS Digimatic Caliper

Safety Precautions

Notes on Export Regulations

Warning

Caution

Disposal of old electrical & electronic equipment

Disposal of waste batteries and accumulators

Electromagnetic Compatibility

CE marking

Precautions for Use

KEEP THIS MANUAL FOR FUTURE REFERENCE.

For more information, refer to https://manual.mitutoyo.co.jp.

No. 99MAD027M3

ABS Digimatic Caliper

ABS DIGIMATIC Messschieber

Sicherheitshinweise

Hinweise zur Exportkontrolle

Warnung

Achtung

Entsorgung von gebrauchten elektrischen und elektronischen Geräten

Text of Resistance au brulage

Text of Resistance au brulage

Text of Resistance au brulage

Text of Resistance au brulage

Text of Resistance au brulage

Text of Resistance au brulage

Text of Resistance au brulage

Text of Resistance au brulage

Text of Resistance au brulage

Text of Resistance au brulage

Text of Resistance au brulage

Text of Resistance au brulage

Text of Resistance au brulage

Text of Resistance au brulage

Text of Resistance au brulage

Text of Resistance au brulage

Text of Resistance au brulage

Text of Resistance au brulage

Text of Resistance au brulage

Text of Resistance au brulage

Text of Resistance au brulage

Text of Resistance au brulage

Text of Resistance au brulage

Text of Resistance au brulage

Text of Resistance au brulage

Text of Resistance au brulage

Text of Resistance au brulage

Text of Resistance au brulage

Text of Resistance au brulage

Text of Resistance au brulage

Text of Resistance au brulage

Text of Resistance au brulage

Text of Resistance au brulage

Text of Resistance au brulage

Text of Resistance au brulage

Text of Resistance au brulage

Text of Resistance au brulage

Text of Resistance au brulage

Text of Resistance au brulage

Text of Resistance au brulage

Text of Resistance au brulage

Pied à coulisse ABS Digimatic

Consignes de sécurité

Remarques relatives à la législation en matière d'exportation

Avertissement

Attention

Traitement des déchets d'équipements électroniques et électroniques

Text of Resistance au brulage

Text of Resistance au brulage

Text of Resistance au brulage

Text of Resistance au brulage

Text of Resistance au brulage

Text of Resistance au brulage

Text of Resistance au brulage

Text of Resistance au brulage

Text of Resistance au brulage

Text of Resistance au brulage

Text of Resistance au brulage

Text of Resistance au brulage

Text of Resistance au brulage

Text of Resistance au brulage

Text of Resistance au brulage

Text of Resistance au brulage

Text of Resistance au brulage

Text of Resistance au brulage

Text of Resistance au brulage

Text of Resistance au brulage

Text of Resistance au brulage

Text of Resistance au brulage

Text of Resistance au brulage

Text of Resistance au brulage

Text of Resistance au brulage

Text of Resistance au brulage

Text of Resistance au brulage

Text of Resistance au brulage

Text of Resistance au brulage

Text of Resistance au brulage

Text of Resistance au brulage

Text of Resistance au brulage

Text of Resistance au brulage

Text of Resistance au brulage

Text of Resistance au brulage

Text of Resistance au brulage

Text of Resistance au brulage

Text of Resistance au brulage

Text of Resistance au brulage

Text of Resistance au brulage

Text of Resistance au brulage

Calibro Digimatic ABS

Precauzioni di sicurezza

Note sui regolamenti in materia di esportazione

Avvertimento

Attenzione

Smaltimento di apparecchiature elettriche ed elettroniche

Text of Resistance au brulage

Text of Resistance au brulage

Text of Resistance au brulage

Text of Resistance au brulage

Text of Resistance au brulage

Text of Resistance au brulage

Text of Resistance au brulage

Text of Resistance au brulage

Text of Resistance au brulage

Text of Resistance au brulage

Text of Resistance au brulage

Text of Resistance au brulage

Text of Resistance au brulage

Text of Resistance au brulage

Text of Resistance au brulage

Text of Resistance au brulage

Text of Resistance au brulage

Text of Resistance au brulage

Text of Resistance au brulage

Text of Resistance au brulage

Text of Resistance au brulage

Text of Resistance au brulage

Text of Resistance au brulage

Text of Resistance au brulage

Text of Resistance au brulage

Text of Resistance au brulage

Text of Resistance au brulage

Text of Resistance au brulage

Text of Resistance au brulage

Text of Resistance au brulage

Text of Resistance au brulage

Text of Resistance au brulage

Text of Resistance au brulage

Text of Resistance au brulage

Text of Resistance au brulage

Text of Resistance au brulage

Text of Resistance au brulage

Text of Resistance au brulage

Text of Resistance au brulage

Text of Resistance au brulage

Text of Resistance au brulage

