

Nr.	Part nr.	Name
001	893509-7	LABEL "LET OP"
002	451601-1	AFSTANDHOUDER BBC300L
003	141238-9	BINNENAS UX361DZ
004	195143-2	DRAAGGOEG EBH253U
005	911233-1	SCREW M5X20 TW1000-2012NB-2704
006	141008-6	STEEL EX2650LH
007	266034-5	TAPSCHROEF CT4X16 A
008	452840-6	KAP TBV ONTGRENDELKNOP BUB361Z
009	452839-1	ONTGRENDELKNOP BUX361
010	265596-0	INBUSBOUT M6X40
011	318750-6	VERBINDINGSSTUK BUX361
012	922211-6	HSH BOLT M5X12 AN250
013	922342-1	HEX SOCK HEAD BOLT M6X25 AN942
014	931302-2	HEX NUT M6 HR4011C/3210FCT
015	272268-0	HANDEL BUX361Z
016	253332-6	THIN WASHER 6 JR1000FTK
017	213105-9	O RING 11 6836
018	252159-1	HEX NUT M6 BCS550
019	961014-3	STOPRING E-8 BSS500/610
020	961052-5	RETAINING RING S-12 SP6000
033	816567-6	LABEL "SERIEN" ER2650LH
034	819430-2	WAARSCHUWINGSLABEL MS246.4
039	266130-9	SCHROEF 3X16 P
040	451595-0	SCHAKELKNOPKAP ER2650LH P
041	451594-2	SCHAKELKNOP A/U ER2650LH P
042	232251-9	BLADVEER EBH253U
043	188832-6	HANDGREEPDEKSEL ER2650LH P
045	922218-2	INBUSBOUT M5X14MM
046	451593-4	BLOKKEER-KNOP ER2650LH P
047	233541-3	TORSIEVEER 7 EBH253U
048	168571-4	GASKABEL ER2650LH
049	233540-5	TORSIEVEER 11 EBH253U
051	638714-7	DRAADBOOM ER2650LH P
052	638713-9	DRAADBOOM ER2650LH P
053	452071-7	BUITENKABEL ER2650LH
054	266326-2	TAPPING SCREW 4X18 HR2800/11FT
055	188832-6	HANDGREEPDEKSEL ER2650LH P
061	265791-2	VLEUGELBOUT M4 EH7500S
062	443171-4	VOORFILTER CS-246.4
063	443169-1	LUCHTFILTERELEMENT CS-246.4
064	266618-9	INBUSBOUT M5X60MM MS246.4
066	162346-3	SCHEIDINGSPLAAT ER2650LH P
067	213540-1	O-RING 15 EBH253U A
068	424316-3	OVERDRUKVENTIEL EBH253U A
069	422099-9	LUCHTPIJP ER2650LH
070	325665-0	VERBINDINGSBUS MS246.4 A

Nr.	Part nr.	Name
071	442153-3	INLAATPAKKING MS246.4
072	266787-6	INBUSBOUT M8X18MM ER2650LH A
073	451825-9	KLEM MS245.4
074	451729-5	SPRUITSTUK MS254.4
075	213547-7	O-RING 12 MS246.4
076	422109-2	ONTLUCHTINGSPIJP EX2650
077	345918-1	SLANGKLEM EBH253U A
078	318745-9	KLEPPENDEKSEL MS246.4 A
079	922222-1	HEX. SOCKET HEAD BOLT M5X16
080	453860-3	KLEPPENDEKSEL "BIN" ER2650LH
081	162304-9	KLEPPENDEKSELPAKKING MS246.4
082	424302-4	BOUGIEDOP EH7500S
083	324891-8	BOUGIEVEER EBH253U P
084	168534-0	SPARK PLUG
085	125554-7	ROCKER ARM ASSY
086	256200-2	PIN 5 2704
087	256865-0	KLEPPENPEN 2.5MM EBH253U A
088	325668-4	SPRING RETAINER
089	451735-0	KOPPELINGSTROMMEL MS246.4
090	922228-9	INBUSBOUT M5X18MM CK P
092	961052-5	RETAINING RING S-12 SP6000
093	210111-5	KOGELLAGER 6201DDU A
094	962151-6	RETAINING RING R-32 BGA452
097	267817-6	SLUITRING 8 EBH253U A
098	126135-0	KOPPELING CPL ER2650LH A
100	231881-3	TREKVEER 7 ER2650LH A
101	267812-6	SLUITRING 6 EBH253U A
103	318569-3	VLIEGWIEL MS246.4U
104	444021-6	SLANG MS246.4 A
105	266602-4	INBUSBOUT M4X20MM MS246.4 A
106	452049-0	AFSTANDBUS MS246.4 A
107	168559-4	ONTSTEKING MS246.4
108	268238-5	PEN 5MM EBH253U A
109	125552-1	CAM GEAR ASSY
110	313169-4	CAM LIFTER
112	268239-3	PEN 4MM EBH253U A
113	162274-2	CAM GEAR COVER GASKET
114	318443-5	CARTERDEKSEL EBH253U A
115	922222-1	HEX. SOCKET HEAD BOLT M5X16
117	922222-1	HEX. SOCKET HEAD BOLT M5X16
118	424201-0	CONTROLE KLEP EBH253U A
119	346331-6	UITLAATPAKKING MS246.4 A
120	168554-4	UITLAAT MS246.4
121	266440-4	INBUSBOUT M5X40MM CK A
122	168483-1	STARTPULLEY BHX2501 A
123	451731-8	UITLAATPLAAT MS246.4

Nr.	Part nr.	Name
124	922218-2	INBUSBOUT M5X14MM
125	638707-4	DRAADBOOM MS246.4
126	638708-2	DRAADBOOM MS246.4
128	922218-2	INBUSBOUT M5X14MM
129	453266-5	CILINDERAFDEKKAP ER2650LH
130	922218-2	INBUSBOUT M5X14MM
131	424082-2	BUFFER RUBBER DBC260U
132	922211-6	HSH BOLT M5X12 AN250
133	922226-3	HSH BOLT M5X18 BJV140/180
134	318249-1	PIPE HOLDER DBC260U
135	318250-6	PIPE HOLDER DBC260U
136	424083-0	BUFFER RUBBER DBC260U
137	424200-2	AFSTANDHOUDER EBH253U A
138	234108-0	COMPRESSION SPRING 9
147	318441-9	PISTON
148	254040-2	INLEGSPIE 3 MS355.4U A
153	257781-9	ZUIGERPEN EBH253U A
154	233976-8	BORGRING TBV Z-PEN EBH253U A
155	162345-5	CARTERPAKKING ER2650LH
156	346083-9	TOEVOER KLEP EBH253U A
157	318910-0	BORGPLAAT ER2650LH
158	922112-8	HSH BOLT M4X10 BPT350
159	318588-9	KARTERDEKSEL MS246.4
160	922222-1	HEX. SOCKET HEAD BOLT M5X16
161	424344-8	STOOTBUFFER MS246.4
162	346305-7	PAKKINGRING MS246.4 A
163	266611-3	CARTEBOUT M6X8MM MS246.4
164	213548-5	O-RING 20 MS246.4
165	325665-0	VERBINDINGSBUS MS246.4 A
169	452047-4	OLIEDOP MS246.4 A
170	424343-0	PAKKING MS246.4 A
171	452048-2	OLIEPIJP MS246.4
172	922218-2	INBUSBOUT M5X14MM
173	125728-0	TANKDOP ASSY MS246.4
174	451739-2	TANKDOP MS246.4 P
175	168755-4	OPVOERSLANG ER2650LH A
176	282020-8	SLANGKLEM EBH253U A
177	163518-3	BRANDSTOFFILTER MS246.4 A
178	451736-8	BENZINETANK MS246.4
179	424080-6	BUFFER RUBBER DBC260U
180	424081-4	BUFFER RUBBER DBC260U
181	451737-6	TANKSTEUN MS246.4
182	922218-2	INBUSBOUT M5X14MM
183	195308-6	STARTINRICHTING ER2650LH
184	424319-7	STARTERGREEP EBH253U A
185	424359-5	STOOTBUFFER MS246.4 A

Nr.	Part nr.	Name
187	266585-8	PARKER 5X12MM CK A
188	325923-4	SWING ARM EH490V A
189	451938-6	BINNENBUS EH490V/BHX2501 A
190	451937-8	STARTKOORDTROMMEL EM4250 A
191	232258-5	STARTERVEER EBH253U A
192	444023-2	STARTERKOORD ER2650LH
193	451733-4	KAP TBV STARTINR ER2650LH P
194	922223-9	MET.SCHROEF PH2 M5X16MM CK A
196	816565-0	LABEL "MAKITA" ER2650LH
197	168762-7	CARBURATEUR EX2650 A
198	325922-6	ZWENKELEMENT EBH253U A
199	413140-9	REKET EBH253U A
201	257964-1	SEEGERING E-3 A
202	213538-8	O-RING 2 A
203	325985-2	GASNAALD MS246.4
204	234183-6	DRUKVEER 5-9 EBH253U A
205	442155-9	MEMBRAAMPAKKING EBH253U A
207	141737-1	POMPHUIS EX2650/LT246
208	352021-1	INLET SCREEN
209	442154-1	MEMBRAAMPAKKING EBH253U A
210	168620-7	MEMBRAAM MS246.4 A
211	140438-8	LUCHTZUIVERHUIS EBH253U A
212	424314-7	OPVOERPOMP EBH253U A
213	346270-0	POMPDEKSEL EBH253U A
214	266582-4	PARKER 3X24MM CK A
215	810455-9	WAARSCHUWINGSLABEL "FUEL" A
216	800F73-7	LABEL "INDICATIE" CS246
217	941152-7	FLAT WASHER 6 2107FK-LF1000
223	266427-6	TAPSCHROEF 4X12 MS246.4
224	452219-1	CHOKEPLAAT MS246.4
231	452220-6	CHOKEHANDEL MS246.4
232	266007-8	TAPPING SCREW BIND PT3X10
233	352020-3	VERDELER ER2650LH P
234	453865-3	VERDEELBLOK ER2650LH P
235	453862-9	CARTERPLAAT ER2650LH
032A	806902-6	LABEL "MOTOR" EBH253U
032B	806902-6	LABEL "MOTOR" EBH253U
036A	893507-1	LABEL "EX2650"
036B	893507-1	LABEL "EX2650"
036E	893507-1	LABEL "EX2650"
037A	819760-1	LABEL "DATUM" ER2650LH P
037B	819760-1	LABEL "DATUM" ER2650LH P
038A	125776-9	REGELHANDVAT EX2650LH
038B	125776-9	REGELHANDVAT EX2650LH
038E	125776-9	REGELHANDVAT EX2650LH
044A	346248-3	BUISBEUGEL 24 ER2650LH

Nr.	Part nr.	Name
044B	346248-3	BUISBEUGEL 24 ER2650LH
050A	451592-6	GASHENDELKNOP ER2650LH P
050B	451592-6	GASHENDELKNOP ER2650LH P
050E	451592-6	GASHENDELKNOP ER2650LH P
060A	126202-1	LUCHTFILTERKAP ER2650LH
060B	126202-1	LUCHTFILTERKAP ER2650LH
060E	126202-1	LUCHTFILTERKAP ER2650LH
091A	450569-8	AFSTANDBUS EBH253U A
091B	450569-8	AFSTANDBUS EBH253U A
091E	450569-8	AFSTANDBUS EBH253U A
095A	165704-2	KOPPELINGSTROMMEL EX2650L
095B	165704-2	KOPPELINGSTROMMEL EX2650L
095E	165704-2	KOPPELINGSTROMMEL EX2650L
096A	266457-7	INBUSBOUT M6X25MM P
096B	266457-7	INBUSBOUT M6X25MM P
099A	168498-8	KOPPELINGSCHOEN EBH253U
099B	168498-8	KOPPELINGSCHOEN EBH253U
099E	168498-8	KOPPELINGSCHOEN EBH253U
102A	264039-9	BORGMOER MS246.4
102B	264039-9	BORGMOER MS246.4
102E	264039-9	BORGMOER MS246.4
116A	135478-9	CILINDERBLOK ASSY ER2650LH
116B	135478-9	CILINDERBLOK ASSY ER2650LH
116E	135478-9	CILINDERBLOK ASSY ER2650LH
140A	325669-2	UITLAATKLEP EBH253U A
140B	325669-2	UITLAATKLEP EBH253U A
140E	325669-2	UITLAATKLEP EBH253U A
143A	325670-7	INTAKE VALVE
143B	325670-7	INTAKE VALVE
143E	325670-7	INTAKE VALVE
144A	257298-2	ZUIGERVEER 34 "TOP" MS246.4 P
144B	257298-2	ZUIGERVEER 34 "TOP" MS246.4 P
145A	257299-0	ZUIGERVEER 34 "MID" MS246.4
145B	257299-0	ZUIGERVEER 34 "MID" MS246.4
146A	257300-1	ZUIGERVEER 34 MS246.4
146B	257300-1	ZUIGERVEER 34 MS246.4
149A	135481-0	KRUKAS MS246.4 P
149B	135481-0	KRUKAS MS246.4 P
150A	213148-1	OIL SEAL 10
150B	213148-1	OIL SEAL 10
151A	267400-9	SLUITRING 23 EBH253U A
151B	267400-9	SLUITRING 23 EBH253U A
152A	213147-3	OIL SEAL 12
152B	213147-3	OIL SEAL 12
166A	282020-8	SLANGKLEM EBH253U A
166B	282020-8	SLANGKLEM EBH253U A

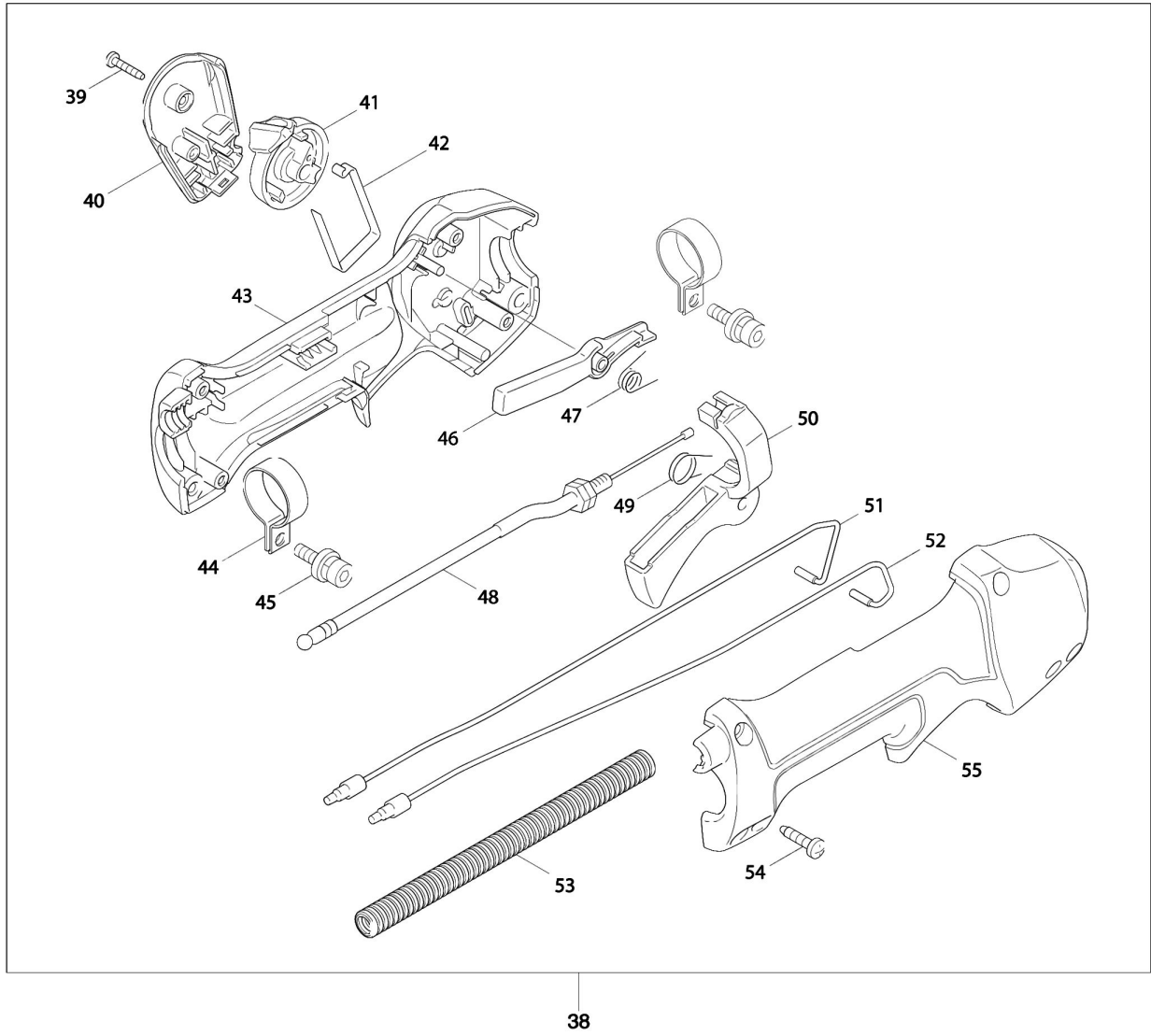
Nr.	Part nr.	Name
166E	282020-8	SLANGKLEM EBH253U A
167A	325666-8	OIL WEIGHT
167B	325666-8	OIL WEIGHT
167E	325666-8	OIL WEIGHT
168A	424301-6	OLIELEIDING MS246.4
168B	424301-6	OLIELEIDING MS246.4
168E	424301-6	OLIELEIDING MS246.4
200A	266581-6	MET.SCHROEF PH2 M3X18MM CK A
200B	266581-6	MET.SCHROEF PH2 M3X18MM CK A
200E	266581-6	MET.SCHROEF PH2 M3X18MM CK A
032-1A	806902-6	LABEL "MOTOR" EBH253U
032-1B	806902-6	LABEL "MOTOR" EBH253U
032-1E	806902-6	LABEL "MOTOR" EBH253U
032-1F	806902-6	LABEL "MOTOR" EBH253U
032-1G	806902-6	LABEL "MOTOR" EBH253U
036-1A	809M02-9	EX2650LH MODEL NO. LABEL
036-1B	809M02-9	EX2650LH MODEL NO. LABEL
036-1E	809M02-9	EX2650LH MODEL NO. LABEL
036-1F	809M02-9	EX2650LH MODEL NO. LABEL
036-1G	809M02-9	EX2650LH MODEL NO. LABEL
037-1A	814A82-0	LABEL "DATUM" ER2650LH #
037-1B	814A82-0	LABEL "DATUM" ER2650LH #
037-2A	801D19-4	SERIAL NO. LABEL
037-2B	801D19-4	SERIAL NO. LABEL
037-2E	801D19-4	SERIAL NO. LABEL
037-2F	801D19-4	SERIAL NO. LABEL
037-2G	801D19-4	SERIAL NO. LABEL
038-1A	126488-7	CONTROLEHANDEL ASSY PE254.4
038-1B	126488-7	CONTROLEHANDEL ASSY PE254.4
038-1E	126488-7	CONTROLEHANDEL ASSY PE254.4
038-1F	126488-7	CONTROLEHANDEL ASSY PE254.4
038-1G	126488-7	CONTROLEHANDEL ASSY PE254.4
044-1A	346248-3	BUISBEUGEL 24 ER2650LH
044-1B	346248-3	BUISBEUGEL 24 ER2650LH
044-1E	346248-3	BUISBEUGEL 24 ER2650LH
044-1F	346248-3	BUISBEUGEL 24 ER2650LH
044-1G	346248-3	BUISBEUGEL 24 ER2650LH
050-1A	455313-8	GASHENDEL PE254.4
050-1B	455313-8	GASHENDEL PE254.4
050-1E	455313-8	GASHENDEL PE254.4
050-1F	455313-8	GASHENDEL PE254.4
050-1G	455313-8	GASHENDEL PE254.4
060-1A	123499-3	CLEANER COVER ASSEMBLY
060-1B	123499-3	CLEANER COVER ASSEMBLY
060-1E	123499-3	CLEANER COVER ASSEMBLY
060-1F	123499-3	CLEANER COVER ASSEMBLY

Nr.	Part nr.	Name
060-1G	123499-3	CLEANER COVER ASSEMBLY
091-1A	450569-8	AFSTANDBUS EBH253U A
091-1B	450569-8	AFSTANDBUS EBH253U A
091-1E	450569-8	AFSTANDBUS EBH253U A
091-1F	450569-8	AFSTANDBUS EBH253U A
091-1G	450569-8	AFSTANDBUS EBH253U A
095-1A	161588-6	CLUTCH DRUM COMPLETE
095-1B	161588-6	CLUTCH DRUM COMPLETE
095-1E	161588-6	CLUTCH DRUM COMPLETE
095-1F	161588-6	CLUTCH DRUM COMPLETE
095-1G	161588-6	CLUTCH DRUM COMPLETE
096-1A	266864-4	INBUSBOUT M6X25MM A
096-1B	266864-4	INBUSBOUT M6X25MM A
096-1E	266864-4	INBUSBOUT M6X25MM A
096-1F	266864-4	INBUSBOUT M6X25MM A
096-1G	266864-4	INBUSBOUT M6X25MM A
099-1A	161332-1	CLUTCH SHOE
099-1B	161332-1	CLUTCH SHOE
099-1E	161332-1	CLUTCH SHOE
099-1F	161332-1	CLUTCH SHOE
099-1G	161332-1	CLUTCH SHOE
102-1A	264039-9	BORGMOER MS246.4
102-1B	264039-9	BORGMOER MS246.4
102-1E	264039-9	BORGMOER MS246.4
102-1F	264039-9	BORGMOER MS246.4
102-1G	264039-9	BORGMOER MS246.4
116-1A	135478-9	CILINDERBLOK ASSY ER2650LH
116-1B	135478-9	CILINDERBLOK ASSY ER2650LH
116-1E	135478-9	CILINDERBLOK ASSY ER2650LH
116-1F	135478-9	CILINDERBLOK ASSY ER2650LH
116-1G	135478-9	CILINDERBLOK ASSY ER2650LH
140-1A	326366-3	EXHAUST VALVE
140-1B	326366-3	EXHAUST VALVE
140-1E	326366-3	EXHAUST VALVE
140-1F	326366-3	EXHAUST VALVE
140-1G	326366-3	EXHAUST VALVE
143-1A	326367-1	INTAKE VALVE
143-1B	326367-1	INTAKE VALVE
143-1E	326367-1	INTAKE VALVE
143-1F	326367-1	INTAKE VALVE
143-1G	326367-1	INTAKE VALVE
144-1A	195145-8	ZUIGERVEERSET EBH253U A
144-1B	195145-8	ZUIGERVEERSET EBH253U A
144-1E	195145-8	ZUIGERVEERSET EBH253U A
144-1F	195145-8	ZUIGERVEERSET EBH253U A
144-1G	195145-8	ZUIGERVEERSET EBH253U A

Nr.	Part nr.	Name
149-1A	126204-7	KRUKAS MS246.4 P
149-1B	126204-7	KRUKAS MS246.4 P
149-2A	126359-8	KRUKAS MS246.4 A
149-2B	126359-8	KRUKAS MS246.4 A
149-2E	126359-8	KRUKAS MS246.4 A
149-3A	123774-7	CRANK SHAFT ASSEMBLY
149-3B	123774-7	CRANK SHAFT ASSEMBLY
149-3E	123774-7	CRANK SHAFT ASSEMBLY
149-3F	123774-7	CRANK SHAFT ASSEMBLY
149-3G	123774-7	CRANK SHAFT ASSEMBLY
150-1A	213148-1	OIL SEAL 10
150-1B	213148-1	OIL SEAL 10
150-1E	213148-1	OIL SEAL 10
150-2A	213769-9	KEERRING (OLIE) 10 EBH253U A
150-2B	213769-9	KEERRING (OLIE) 10 EBH253U A
150-2E	213769-9	KEERRING (OLIE) 10 EBH253U A
150-2F	213769-9	KEERRING (OLIE) 10 EBH253U A
150-2G	213769-9	KEERRING (OLIE) 10 EBH253U A
151-1A	267400-9	SLUITRING 23 EBH253U A
151-1B	267400-9	SLUITRING 23 EBH253U A
151-1E	267400-9	SLUITRING 23 EBH253U A
151-1F	267400-9	SLUITRING 23 EBH253U A
151-1G	267400-9	SLUITRING 23 EBH253U A
152-1A	213147-3	OIL SEAL 12
152-1B	213147-3	OIL SEAL 12
152-1E	213147-3	OIL SEAL 12
152-2A	213089-1	OIL SEAL 12
152-2B	213089-1	OIL SEAL 12
152-2E	213089-1	OIL SEAL 12
152-2F	213089-1	OIL SEAL 12
152-2G	213089-1	OIL SEAL 12
166-1A	282020-8	SLANGKLEM EBH253U A
166-1B	282020-8	SLANGKLEM EBH253U A
166-1E	282020-8	SLANGKLEM EBH253U A
166-1F	282020-8	SLANGKLEM EBH253U A
166-1G	282020-8	SLANGKLEM EBH253U A
167-1A	325666-8	OIL WEIGHT
167-1B	325666-8	OIL WEIGHT
167-1E	325666-8	OIL WEIGHT
167-1F	325666-8	OIL WEIGHT
167-1G	325666-8	OIL WEIGHT
168-1A	125805-8	OIL TUBE ASSEMBLY
168-1B	125805-8	OIL TUBE ASSEMBLY
168-1E	125805-8	OIL TUBE ASSEMBLY
168-1F	125805-8	OIL TUBE ASSEMBLY
168-1G	125805-8	OIL TUBE ASSEMBLY



Nr.	Part nr.	Name
200-1A	WJ00096364	SCREW DCS230T
200-1B	WJ00096364	SCREW DCS230T
200-1E	WJ00096364	SCREW DCS230T
200-1F	WJ00096364	SCREW DCS230T
200-1G	WJ00096364	SCREW DCS230T
206-1	WJ00009599	PUMP DIAPHRAGM DCS230T



Nr.	Part nr.	Name
001	893509-7	LABEL "LET OP"
002	451601-1	AFSTANDHOUDER BBC300L
003	141238-9	BINNENAS UX361DZ
004	195143-2	DRAAGGOEG EBH253U
005	911233-1	SCREW M5X20 TW1000-2012NB-2704
006	141008-6	STEEL EX2650LH
007	266034-5	TAPSCHROEF CT4X16 A
008	452840-6	KAP TBV ONTGRENDELKNOP BUB361Z
009	452839-1	ONTGRENDELKNOP BUX361
010	265596-0	INBUSBOUT M6X40
011	318750-6	VERBINDINGSSTUK BUX361
012	922211-6	HSB BOLT M5X12 AN250
013	922342-1	HEX SOCK HEAD BOLT M6X25 AN942
014	931302-2	HEX NUT M6 HR4011C/3210FCT
015	272268-0	HANDEL BUX361Z
016	253332-6	THIN WASHER 6 JR1000FTK
017	213105-9	O RING 11 6836
018	252159-1	HEX NUT M6 BCS550
019	961014-3	STOPRING E-8 BSS500/610
020	961052-5	RETAINING RING S-12 SP6000
033	816567-6	LABEL "SERIEN" ER2650LH
034	819430-2	WAARSCHUWINGSLABEL MS246.4
039	266130-9	SCHROEF 3X16 P
040	451595-0	SCHAKELKNOPKAP ER2650LH P
041	451594-2	SCHAKELKNOP A/U ER2650LH P
042	232251-9	BLADVEER EBH253U
043	188832-6	HANDGREEPDEKSEL ER2650LH P
045	922218-2	INBUSBOUT M5X14MM
046	451593-4	BLOKKEER-KNOP ER2650LH P
047	233541-3	TORSIEVEER 7 EBH253U
048	168571-4	GASKABEL ER2650LH
049	233540-5	TORSIEVEER 11 EBH253U
051	638714-7	DRAADBOOM ER2650LH P
052	638713-9	DRAADBOOM ER2650LH P
053	452071-7	BUITENKABEL ER2650LH
054	266326-2	TAPPING SCREW 4X18 HR2800/11FT
055	188832-6	HANDGREEPDEKSEL ER2650LH P
061	265791-2	VLEUGELBOUT M4 EH7500S
062	443171-4	VOORFILTER CS-246.4
063	443169-1	LUCHTFILTERELEMENT CS-246.4
064	266618-9	INBUSBOUT M5X60MM MS246.4
066	162346-3	SCHEIDINGSPLAAT ER2650LH P
067	213540-1	O-RING 15 EBH253U A
068	424316-3	OVERDRUKVENTIEL EBH253U A
069	422099-9	LUCHTPIJP ER2650LH
070	325665-0	VERBINDINGSBUS MS246.4 A

Nr.	Part nr.	Name
071	442153-3	INLAATPAKKING MS246.4
072	266787-6	INBUSBOUT M8X18MM ER2650LH A
073	451825-9	KLEM MS245.4
074	451729-5	SPRUITSTUK MS254.4
075	213547-7	O-RING 12 MS246.4
076	422109-2	ONTLUCHTINGSPIJP EX2650
077	345918-1	SLANGKLEM EBH253U A
078	318745-9	KLEPPENDEKSEL MS246.4 A
079	922222-1	HEX. SOCKET HEAD BOLT M5X16
080	453860-3	KLEPPENDEKSEL "BIN" ER2650LH
081	162304-9	KLEPPENDEKSELPAKKING MS246.4
082	424302-4	BOUGIEDOP EH7500S
083	324891-8	BOUGIEVEER EBH253U P
084	168534-0	SPARK PLUG
085	125554-7	ROCKER ARM ASSY
086	256200-2	PIN 5 2704
087	256865-0	KLEPPENPEN 2.5MM EBH253U A
088	325668-4	SPRING RETAINER
089	451735-0	KOPPELINGSTROMMEL MS246.4
090	922228-9	INBUSBOUT M5X18MM CK P
092	961052-5	RETAINING RING S-12 SP6000
093	210111-5	KOGELLAGER 6201DDU A
094	962151-6	RETAINING RING R-32 BGA452
097	267817-6	SLUITRING 8 EBH253U A
098	126135-0	KOPPELING CPL ER2650LH A
100	231881-3	TREKVEER 7 ER2650LH A
101	267812-6	SLUITRING 6 EBH253U A
103	318569-3	VLIEGWIEL MS246.4U
104	444021-6	SLANG MS246.4 A
105	266602-4	INBUSBOUT M4X20MM MS246.4 A
106	452049-0	AFSTANDBUS MS246.4 A
107	168559-4	ONTSTEKING MS246.4
108	268238-5	PEN 5MM EBH253U A
109	125552-1	CAM GEAR ASSY
110	313169-4	CAM LIFTER
112	268239-3	PEN 4MM EBH253U A
113	162274-2	CAM GEAR COVER GASKET
114	318443-5	CARTERDEKSEL EBH253U A
115	922222-1	HEX. SOCKET HEAD BOLT M5X16
117	922222-1	HEX. SOCKET HEAD BOLT M5X16
118	424201-0	CONTROLE KLEP EBH253U A
119	346331-6	UITLAATPAKKING MS246.4 A
120	168554-4	UITLAAT MS246.4
121	266440-4	INBUSBOUT M5X40MM CK A
122	168483-1	STARTPULLEY BHX2501 A
123	451731-8	UITLAATPLAAT MS246.4

Nr.	Part nr.	Name
124	922218-2	INBUSBOUT M5X14MM
125	638707-4	DRAADBOOM MS246.4
126	638708-2	DRAADBOOM MS246.4
128	922218-2	INBUSBOUT M5X14MM
129	453266-5	CILINDERAFDEKKAP ER2650LH
130	922218-2	INBUSBOUT M5X14MM
131	424082-2	BUFFER RUBBER DBC260U
132	922211-6	HSH BOLT M5X12 AN250
133	922226-3	HSH BOLT M5X18 BJV140/180
134	318249-1	PIPE HOLDER DBC260U
135	318250-6	PIPE HOLDER DBC260U
136	424083-0	BUFFER RUBBER DBC260U
137	424200-2	AFSTANDHOUDER EBH253U A
138	234108-0	COMPRESSION SPRING 9
147	318441-9	PISTON
148	254040-2	INLEGSPIE 3 MS355.4U A
153	257781-9	ZUIGERPEN EBH253U A
154	233976-8	BORGRING TBV Z-PEN EBH253U A
155	162345-5	CARTERPAKKING ER2650LH
156	346083-9	TOEVOER KLEP EBH253U A
157	318910-0	BORGPLAAT ER2650LH
158	922112-8	HSH BOLT M4X10 BPT350
159	318588-9	KARTERDEKSEL MS246.4
160	922222-1	HEX. SOCKET HEAD BOLT M5X16
161	424344-8	STOOTBUFFER MS246.4
162	346305-7	PAKKINGRING MS246.4 A
163	266611-3	CARTEBOUT M6X8MM MS246.4
164	213548-5	O-RING 20 MS246.4
165	325665-0	VERBINDINGSBUS MS246.4 A
169	452047-4	OLIEDOP MS246.4 A
170	424343-0	PAKKING MS246.4 A
171	452048-2	OLIEPIJP MS246.4
172	922218-2	INBUSBOUT M5X14MM
173	125728-0	TANKDOP ASSY MS246.4
174	451739-2	TANKDOP MS246.4 P
175	168755-4	OPVOERSLANG ER2650LH A
176	282020-8	SLANGKLEM EBH253U A
177	163518-3	BRANDSTOFFILTER MS246.4 A
178	451736-8	BENZINETANK MS246.4
179	424080-6	BUFFER RUBBER DBC260U
180	424081-4	BUFFER RUBBER DBC260U
181	451737-6	TANKSTEUN MS246.4
182	922218-2	INBUSBOUT M5X14MM
183	195308-6	STARTINRICHTING ER2650LH
184	424319-7	STARTERGREEP EBH253U A
185	424359-5	STOOTBUFFER MS246.4 A

Nr.	Part nr.	Name
187	266585-8	PARKER 5X12MM CK A
188	325923-4	SWING ARM EH490V A
189	451938-6	BINNENBUS EH490V/BHX2501 A
190	451937-8	STARTKOORDTROMMEL EM4250 A
191	232258-5	STARTERVEER EBH253U A
192	444023-2	STARTERKOORD ER2650LH
193	451733-4	KAP TBV STARTINR ER2650LH P
194	922223-9	MET.SCHROEF PH2 M5X16MM CK A
196	816565-0	LABEL "MAKITA" ER2650LH
197	168762-7	CARBURATEUR EX2650 A
198	325922-6	ZWENKELEMENT EBH253U A
199	413140-9	REKET EBH253U A
201	257964-1	SEEGERING E-3 A
202	213538-8	O-RING 2 A
203	325985-2	GASNAALD MS246.4
204	234183-6	DRUKVEER 5-9 EBH253U A
205	442155-9	MEMBRAAMPAKKING EBH253U A
207	141737-1	POMPHUIS EX2650/LT246
208	352021-1	INLET SCREEN
209	442154-1	MEMBRAAMPAKKING EBH253U A
210	168620-7	MEMBRAAM MS246.4 A
211	140438-8	LUCHTZUIVERHUIS EBH253U A
212	424314-7	OPVOERPOMP EBH253U A
213	346270-0	POMPDEKSEL EBH253U A
214	266582-4	PARKER 3X24MM CK A
215	810455-9	WAARSCHUWINGSLABEL "FUEL" A
216	800F73-7	LABEL "INDICATIE" CS246
217	941152-7	FLAT WASHER 6 2107FK-LF1000
223	266427-6	TAPSCHROEF 4X12 MS246.4
224	452219-1	CHOKEPLAAT MS246.4
231	452220-6	CHOKEHANDEL MS246.4
232	266007-8	TAPPING SCREW BIND PT3X10
233	352020-3	VERDELER ER2650LH P
234	453865-3	VERDEELBLOK ER2650LH P
235	453862-9	CARTERPLAAT ER2650LH
032A	806902-6	LABEL "MOTOR" EBH253U
032B	806902-6	LABEL "MOTOR" EBH253U
036A	893507-1	LABEL "EX2650"
036B	893507-1	LABEL "EX2650"
036E	893507-1	LABEL "EX2650"
037A	819760-1	LABEL "DATUM" ER2650LH P
037B	819760-1	LABEL "DATUM" ER2650LH P
038A	125776-9	REGELHANDVAT EX2650LH
038B	125776-9	REGELHANDVAT EX2650LH
038E	125776-9	REGELHANDVAT EX2650LH
044A	346248-3	BUISBEUGEL 24 ER2650LH

Nr.	Part nr.	Name
044B	346248-3	BUISBEUGEL 24 ER2650LH
050A	451592-6	GASHENDELKNOP ER2650LH P
050B	451592-6	GASHENDELKNOP ER2650LH P
050E	451592-6	GASHENDELKNOP ER2650LH P
060A	126202-1	LUCHTFILTERKAP ER2650LH
060B	126202-1	LUCHTFILTERKAP ER2650LH
060E	126202-1	LUCHTFILTERKAP ER2650LH
091A	450569-8	AFSTANDBUS EBH253U A
091B	450569-8	AFSTANDBUS EBH253U A
091E	450569-8	AFSTANDBUS EBH253U A
095A	165704-2	KOPPELINGSTROMMEL EX2650L
095B	165704-2	KOPPELINGSTROMMEL EX2650L
095E	165704-2	KOPPELINGSTROMMEL EX2650L
096A	266457-7	INBUSBOUT M6X25MM P
096B	266457-7	INBUSBOUT M6X25MM P
099A	168498-8	KOPPELINGSCHOEN EBH253U
099B	168498-8	KOPPELINGSCHOEN EBH253U
099E	168498-8	KOPPELINGSCHOEN EBH253U
102A	264039-9	BORGMOER MS246.4
102B	264039-9	BORGMOER MS246.4
102E	264039-9	BORGMOER MS246.4
116A	135478-9	CILINDERBLOK ASSY ER2650LH
116B	135478-9	CILINDERBLOK ASSY ER2650LH
116E	135478-9	CILINDERBLOK ASSY ER2650LH
140A	325669-2	UITLAATKLEP EBH253U A
140B	325669-2	UITLAATKLEP EBH253U A
140E	325669-2	UITLAATKLEP EBH253U A
143A	325670-7	INTAKE VALVE
143B	325670-7	INTAKE VALVE
143E	325670-7	INTAKE VALVE
144A	257298-2	ZUIGERVEER 34 "TOP" MS246.4 P
144B	257298-2	ZUIGERVEER 34 "TOP" MS246.4 P
145A	257299-0	ZUIGERVEER 34 "MID" MS246.4
145B	257299-0	ZUIGERVEER 34 "MID" MS246.4
146A	257300-1	ZUIGERVEER 34 MS246.4
146B	257300-1	ZUIGERVEER 34 MS246.4
149A	135481-0	KRUKAS MS246.4 P
149B	135481-0	KRUKAS MS246.4 P
150A	213148-1	OIL SEAL 10
150B	213148-1	OIL SEAL 10
151A	267400-9	SLUITRING 23 EBH253U A
151B	267400-9	SLUITRING 23 EBH253U A
152A	213147-3	OIL SEAL 12
152B	213147-3	OIL SEAL 12
166A	282020-8	SLANGKLEM EBH253U A
166B	282020-8	SLANGKLEM EBH253U A

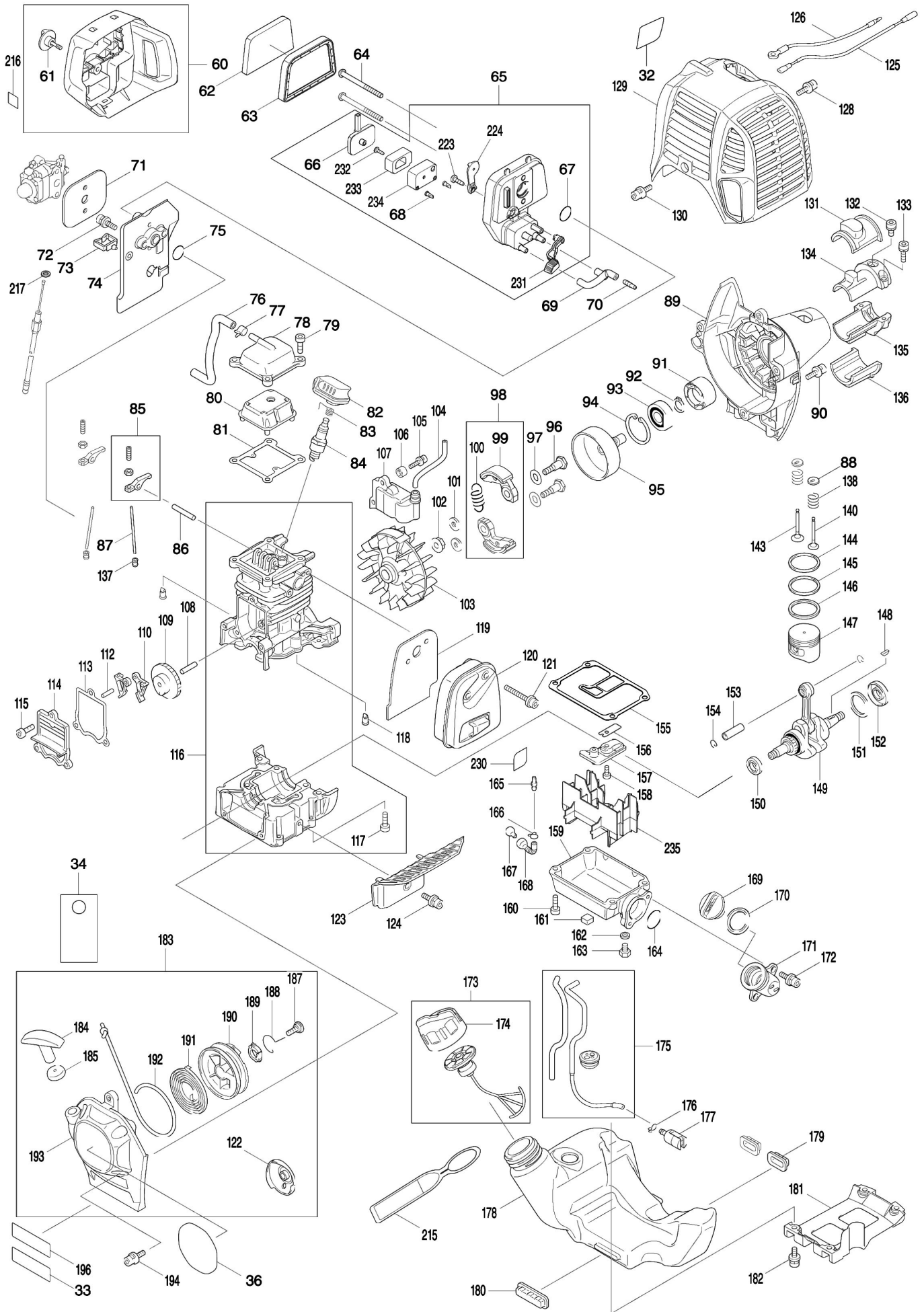
Nr.	Part nr.	Name
166E	282020-8	SLANGKLEM EBH253U A
167A	325666-8	OIL WEIGHT
167B	325666-8	OIL WEIGHT
167E	325666-8	OIL WEIGHT
168A	424301-6	OLIELEIDING MS246.4
168B	424301-6	OLIELEIDING MS246.4
168E	424301-6	OLIELEIDING MS246.4
200A	266581-6	MET.SCHROEF PH2 M3X18MM CK A
200B	266581-6	MET.SCHROEF PH2 M3X18MM CK A
200E	266581-6	MET.SCHROEF PH2 M3X18MM CK A
032-1A	806902-6	LABEL "MOTOR" EBH253U
032-1B	806902-6	LABEL "MOTOR" EBH253U
032-1E	806902-6	LABEL "MOTOR" EBH253U
032-1F	806902-6	LABEL "MOTOR" EBH253U
032-1G	806902-6	LABEL "MOTOR" EBH253U
036-1A	809M02-9	EX2650LH MODEL NO. LABEL
036-1B	809M02-9	EX2650LH MODEL NO. LABEL
036-1E	809M02-9	EX2650LH MODEL NO. LABEL
036-1F	809M02-9	EX2650LH MODEL NO. LABEL
036-1G	809M02-9	EX2650LH MODEL NO. LABEL
037-1A	814A82-0	LABEL "DATUM" ER2650LH #
037-1B	814A82-0	LABEL "DATUM" ER2650LH #
037-2A	801D19-4	SERIAL NO. LABEL
037-2B	801D19-4	SERIAL NO. LABEL
037-2E	801D19-4	SERIAL NO. LABEL
037-2F	801D19-4	SERIAL NO. LABEL
037-2G	801D19-4	SERIAL NO. LABEL
038-1A	126488-7	CONTROLEHANDEL ASSY PE254.4
038-1B	126488-7	CONTROLEHANDEL ASSY PE254.4
038-1E	126488-7	CONTROLEHANDEL ASSY PE254.4
038-1F	126488-7	CONTROLEHANDEL ASSY PE254.4
038-1G	126488-7	CONTROLEHANDEL ASSY PE254.4
044-1A	346248-3	BUISBEUGEL 24 ER2650LH
044-1B	346248-3	BUISBEUGEL 24 ER2650LH
044-1E	346248-3	BUISBEUGEL 24 ER2650LH
044-1F	346248-3	BUISBEUGEL 24 ER2650LH
044-1G	346248-3	BUISBEUGEL 24 ER2650LH
050-1A	455313-8	GASHENDEL PE254.4
050-1B	455313-8	GASHENDEL PE254.4
050-1E	455313-8	GASHENDEL PE254.4
050-1F	455313-8	GASHENDEL PE254.4
050-1G	455313-8	GASHENDEL PE254.4
060-1A	123499-3	CLEANER COVER ASSEMBLY
060-1B	123499-3	CLEANER COVER ASSEMBLY
060-1E	123499-3	CLEANER COVER ASSEMBLY
060-1F	123499-3	CLEANER COVER ASSEMBLY

Nr.	Part nr.	Name
060-1G	123499-3	CLEANER COVER ASSEMBLY
091-1A	450569-8	AFSTANDBUS EBH253U A
091-1B	450569-8	AFSTANDBUS EBH253U A
091-1E	450569-8	AFSTANDBUS EBH253U A
091-1F	450569-8	AFSTANDBUS EBH253U A
091-1G	450569-8	AFSTANDBUS EBH253U A
095-1A	161588-6	CLUTCH DRUM COMPLETE
095-1B	161588-6	CLUTCH DRUM COMPLETE
095-1E	161588-6	CLUTCH DRUM COMPLETE
095-1F	161588-6	CLUTCH DRUM COMPLETE
095-1G	161588-6	CLUTCH DRUM COMPLETE
096-1A	266864-4	INBUSBOUT M6X25MM A
096-1B	266864-4	INBUSBOUT M6X25MM A
096-1E	266864-4	INBUSBOUT M6X25MM A
096-1F	266864-4	INBUSBOUT M6X25MM A
096-1G	266864-4	INBUSBOUT M6X25MM A
099-1A	161332-1	CLUTCH SHOE
099-1B	161332-1	CLUTCH SHOE
099-1E	161332-1	CLUTCH SHOE
099-1F	161332-1	CLUTCH SHOE
099-1G	161332-1	CLUTCH SHOE
102-1A	264039-9	BORGMOER MS246.4
102-1B	264039-9	BORGMOER MS246.4
102-1E	264039-9	BORGMOER MS246.4
102-1F	264039-9	BORGMOER MS246.4
102-1G	264039-9	BORGMOER MS246.4
116-1A	135478-9	CILINDERBLOK ASSY ER2650LH
116-1B	135478-9	CILINDERBLOK ASSY ER2650LH
116-1E	135478-9	CILINDERBLOK ASSY ER2650LH
116-1F	135478-9	CILINDERBLOK ASSY ER2650LH
116-1G	135478-9	CILINDERBLOK ASSY ER2650LH
140-1A	326366-3	EXHAUST VALVE
140-1B	326366-3	EXHAUST VALVE
140-1E	326366-3	EXHAUST VALVE
140-1F	326366-3	EXHAUST VALVE
140-1G	326366-3	EXHAUST VALVE
143-1A	326367-1	INTAKE VALVE
143-1B	326367-1	INTAKE VALVE
143-1E	326367-1	INTAKE VALVE
143-1F	326367-1	INTAKE VALVE
143-1G	326367-1	INTAKE VALVE
144-1A	195145-8	ZUIGERVEERSET EBH253U A
144-1B	195145-8	ZUIGERVEERSET EBH253U A
144-1E	195145-8	ZUIGERVEERSET EBH253U A
144-1F	195145-8	ZUIGERVEERSET EBH253U A
144-1G	195145-8	ZUIGERVEERSET EBH253U A

Nr.	Part nr.	Name
149-1A	126204-7	KRUKAS MS246.4 P
149-1B	126204-7	KRUKAS MS246.4 P
149-2A	126359-8	KRUKAS MS246.4 A
149-2B	126359-8	KRUKAS MS246.4 A
149-2E	126359-8	KRUKAS MS246.4 A
149-3A	123774-7	CRANK SHAFT ASSEMBLY
149-3B	123774-7	CRANK SHAFT ASSEMBLY
149-3E	123774-7	CRANK SHAFT ASSEMBLY
149-3F	123774-7	CRANK SHAFT ASSEMBLY
149-3G	123774-7	CRANK SHAFT ASSEMBLY
150-1A	213148-1	OIL SEAL 10
150-1B	213148-1	OIL SEAL 10
150-1E	213148-1	OIL SEAL 10
150-2A	213769-9	KEERRING (OLIE) 10 EBH253U A
150-2B	213769-9	KEERRING (OLIE) 10 EBH253U A
150-2E	213769-9	KEERRING (OLIE) 10 EBH253U A
150-2F	213769-9	KEERRING (OLIE) 10 EBH253U A
150-2G	213769-9	KEERRING (OLIE) 10 EBH253U A
151-1A	267400-9	SLUITRING 23 EBH253U A
151-1B	267400-9	SLUITRING 23 EBH253U A
151-1E	267400-9	SLUITRING 23 EBH253U A
151-1F	267400-9	SLUITRING 23 EBH253U A
151-1G	267400-9	SLUITRING 23 EBH253U A
152-1A	213147-3	OIL SEAL 12
152-1B	213147-3	OIL SEAL 12
152-1E	213147-3	OIL SEAL 12
152-2A	213089-1	OIL SEAL 12
152-2B	213089-1	OIL SEAL 12
152-2E	213089-1	OIL SEAL 12
152-2F	213089-1	OIL SEAL 12
152-2G	213089-1	OIL SEAL 12
166-1A	282020-8	SLANGKLEM EBH253U A
166-1B	282020-8	SLANGKLEM EBH253U A
166-1E	282020-8	SLANGKLEM EBH253U A
166-1F	282020-8	SLANGKLEM EBH253U A
166-1G	282020-8	SLANGKLEM EBH253U A
167-1A	325666-8	OIL WEIGHT
167-1B	325666-8	OIL WEIGHT
167-1E	325666-8	OIL WEIGHT
167-1F	325666-8	OIL WEIGHT
167-1G	325666-8	OIL WEIGHT
168-1A	125805-8	OIL TUBE ASSEMBLY
168-1B	125805-8	OIL TUBE ASSEMBLY
168-1E	125805-8	OIL TUBE ASSEMBLY
168-1F	125805-8	OIL TUBE ASSEMBLY
168-1G	125805-8	OIL TUBE ASSEMBLY



Nr.	Part nr.	Name
200-1A	WJ00096364	SCREW DCS230T
200-1B	WJ00096364	SCREW DCS230T
200-1E	WJ00096364	SCREW DCS230T
200-1F	WJ00096364	SCREW DCS230T
200-1G	WJ00096364	SCREW DCS230T
206-1	WJ00009599	PUMP DIAPHRAGM DCS230T



Nr.	Part nr.	Name
001	893509-7	LABEL "LET OP"
002	451601-1	AFSTANDHOUDER BBC300L
003	141238-9	BINNENAS UX361DZ
004	195143-2	DRAAGGOEG EBH253U
005	911233-1	SCREW M5X20 TW1000-2012NB-2704
006	141008-6	STEEL EX2650LH
007	266034-5	TAPSCHROEF CT4X16 A
008	452840-6	KAP TBV ONTGRENDELKNOP BUB361Z
009	452839-1	ONTGRENDELKNOP BUX361
010	265596-0	INBUSBOUT M6X40
011	318750-6	VERBINDINGSSTUK BUX361
012	922211-6	HSB BOLT M5X12 AN250
013	922342-1	HEX SOCK HEAD BOLT M6X25 AN942
014	931302-2	HEX NUT M6 HR4011C/3210FCT
015	272268-0	HANDEL BUX361Z
016	253332-6	THIN WASHER 6 JR1000FTK
017	213105-9	O RING 11 6836
018	252159-1	HEX NUT M6 BCS550
019	961014-3	STOPRING E-8 BSS500/610
020	961052-5	RETAINING RING S-12 SP6000
033	816567-6	LABEL "SERIEN" ER2650LH
034	819430-2	WAARSCHUWINGSLABEL MS246.4
039	266130-9	SCHROEF 3X16 P
040	451595-0	SCHAKELKNOPKAP ER2650LH P
041	451594-2	SCHAKELKNOP A/U ER2650LH P
042	232251-9	BLADVEER EBH253U
043	188832-6	HANDGREEPDEKSEL ER2650LH P
045	922218-2	INBUSBOUT M5X14MM
046	451593-4	BLOKKEER-KNOP ER2650LH P
047	233541-3	TORSIEVEER 7 EBH253U
048	168571-4	GASKABEL ER2650LH
049	233540-5	TORSIEVEER 11 EBH253U
051	638714-7	DRAADBOOM ER2650LH P
052	638713-9	DRAADBOOM ER2650LH P
053	452071-7	BUITENKABEL ER2650LH
054	266326-2	TAPPING SCREW 4X18 HR2800/11FT
055	188832-6	HANDGREEPDEKSEL ER2650LH P
061	265791-2	VLEUGELBOUT M4 EH7500S
062	443171-4	VOORFILTER CS-246.4
063	443169-1	LUCHTFILTERELEMENT CS-246.4
064	266618-9	INBUSBOUT M5X60MM MS246.4
066	162346-3	SCHEIDINGSPLAAT ER2650LH P
067	213540-1	O-RING 15 EBH253U A
068	424316-3	OVERDRUKVENTIEL EBH253U A
069	422099-9	LUCHTPIJP ER2650LH
070	325665-0	VERBINDINGSBUS MS246.4 A

Nr.	Part nr.	Name
071	442153-3	INLAATPAKKING MS246.4
072	266787-6	INBUSBOUT M8X18MM ER2650LH A
073	451825-9	KLEM MS245.4
074	451729-5	SPRUITSTUK MS254.4
075	213547-7	O-RING 12 MS246.4
076	422109-2	ONTLUCHTINGSPIJP EX2650
077	345918-1	SLANGKLEM EBH253U A
078	318745-9	KLEPPENDEKSEL MS246.4 A
079	922222-1	HEX. SOCKET HEAD BOLT M5X16
080	453860-3	KLEPPENDEKSEL "BIN" ER2650LH
081	162304-9	KLEPPENDEKSELPAKKING MS246.4
082	424302-4	BOUGIEDOP EH7500S
083	324891-8	BOUGIEVEER EBH253U P
084	168534-0	SPARK PLUG
085	125554-7	ROCKER ARM ASSY
086	256200-2	PIN 5 2704
087	256865-0	KLEPPENPEN 2.5MM EBH253U A
088	325668-4	SPRING RETAINER
089	451735-0	KOPPELINGSTROMMEL MS246.4
090	922228-9	INBUSBOUT M5X18MM CK P
092	961052-5	RETAINING RING S-12 SP6000
093	210111-5	KOGELLAGER 6201DDU A
094	962151-6	RETAINING RING R-32 BGA452
097	267817-6	SLUITRING 8 EBH253U A
098	126135-0	KOPPELING CPL ER2650LH A
100	231881-3	TREKVEER 7 ER2650LH A
101	267812-6	SLUITRING 6 EBH253U A
103	318569-3	VLIEGWIEL MS246.4U
104	444021-6	SLANG MS246.4 A
105	266602-4	INBUSBOUT M4X20MM MS246.4 A
106	452049-0	AFSTANDBUS MS246.4 A
107	168559-4	ONTSTEKING MS246.4
108	268238-5	PEN 5MM EBH253U A
109	125552-1	CAM GEAR ASSY
110	313169-4	CAM LIFTER
112	268239-3	PEN 4MM EBH253U A
113	162274-2	CAM GEAR COVER GASKET
114	318443-5	CARTERDEKSEL EBH253U A
115	922222-1	HEX. SOCKET HEAD BOLT M5X16
117	922222-1	HEX. SOCKET HEAD BOLT M5X16
118	424201-0	CONTROLE KLEP EBH253U A
119	346331-6	UITLAATPAKKING MS246.4 A
120	168554-4	UITLAAT MS246.4
121	266440-4	INBUSBOUT M5X40MM CK A
122	168483-1	STARTPULLEY BHX2501 A
123	451731-8	UITLAATPLAAT MS246.4

Nr.	Part nr.	Name
124	922218-2	INBUSBOUT M5X14MM
125	638707-4	DRAADBOOM MS246.4
126	638708-2	DRAADBOOM MS246.4
128	922218-2	INBUSBOUT M5X14MM
129	453266-5	CILINDERAFDEKKAP ER2650LH
130	922218-2	INBUSBOUT M5X14MM
131	424082-2	BUFFER RUBBER DBC260U
132	922211-6	HSH BOLT M5X12 AN250
133	922226-3	HSH BOLT M5X18 BJV140/180
134	318249-1	PIPE HOLDER DBC260U
135	318250-6	PIPE HOLDER DBC260U
136	424083-0	BUFFER RUBBER DBC260U
137	424200-2	AFSTANDHOUDER EBH253U A
138	234108-0	COMPRESSION SPRING 9
147	318441-9	PISTON
148	254040-2	INLEGSPIE 3 MS355.4U A
153	257781-9	ZUIGERPEN EBH253U A
154	233976-8	BORGRING TBV Z-PEN EBH253U A
155	162345-5	CARTERPAKKING ER2650LH
156	346083-9	TOEVOER KLEP EBH253U A
157	318910-0	BORGPLAAT ER2650LH
158	922112-8	HSH BOLT M4X10 BPT350
159	318588-9	KARTERDEKSEL MS246.4
160	922222-1	HEX. SOCKET HEAD BOLT M5X16
161	424344-8	STOOTBUFFER MS246.4
162	346305-7	PAKKINGRING MS246.4 A
163	266611-3	CARTEBOUT M6X8MM MS246.4
164	213548-5	O-RING 20 MS246.4
165	325665-0	VERBINDINGSBUS MS246.4 A
169	452047-4	OLIEDOP MS246.4 A
170	424343-0	PAKKING MS246.4 A
171	452048-2	OLIEPIJP MS246.4
172	922218-2	INBUSBOUT M5X14MM
173	125728-0	TANKDOP ASSY MS246.4
174	451739-2	TANKDOP MS246.4 P
175	168755-4	OPVOERSLANG ER2650LH A
176	282020-8	SLANGKLEM EBH253U A
177	163518-3	BRANDSTOFFILTER MS246.4 A
178	451736-8	BENZINETANK MS246.4
179	424080-6	BUFFER RUBBER DBC260U
180	424081-4	BUFFER RUBBER DBC260U
181	451737-6	TANKSTEUN MS246.4
182	922218-2	INBUSBOUT M5X14MM
183	195308-6	STARTINRICHTING ER2650LH
184	424319-7	STARTERGREEP EBH253U A
185	424359-5	STOOTBUFFER MS246.4 A

Nr.	Part nr.	Name
187	266585-8	PARKER 5X12MM CK A
188	325923-4	SWING ARM EH490V A
189	451938-6	BINNENBUS EH490V/BHX2501 A
190	451937-8	STARTKOORDTROMMEL EM4250 A
191	232258-5	STARTERVEER EBH253U A
192	444023-2	STARTERKOORD ER2650LH
193	451733-4	KAP TBV STARTINR ER2650LH P
194	922223-9	MET.SCHROEF PH2 M5X16MM CK A
196	816565-0	LABEL "MAKITA" ER2650LH
197	168762-7	CARBURATEUR EX2650 A
198	325922-6	ZWENKELEMENT EBH253U A
199	413140-9	REKET EBH253U A
201	257964-1	SEEGERING E-3 A
202	213538-8	O-RING 2 A
203	325985-2	GASNAALD MS246.4
204	234183-6	DRUKVEER 5-9 EBH253U A
205	442155-9	MEMBRAAMPAKKING EBH253U A
207	141737-1	POMPHUIS EX2650/LT246
208	352021-1	INLET SCREEN
209	442154-1	MEMBRAAMPAKKING EBH253U A
210	168620-7	MEMBRAAM MS246.4 A
211	140438-8	LUCHTZUIVERHUIS EBH253U A
212	424314-7	OPVOERPOMP EBH253U A
213	346270-0	POMPDEKSEL EBH253U A
214	266582-4	PARKER 3X24MM CK A
215	810455-9	WAARSCHUWINGSLABEL "FUEL" A
216	800F73-7	LABEL "INDICATIE" CS246
217	941152-7	FLAT WASHER 6 2107FK-LF1000
223	266427-6	TAPSCHROEF 4X12 MS246.4
224	452219-1	CHOKEPLAAT MS246.4
231	452220-6	CHOKEHANDEL MS246.4
232	266007-8	TAPPING SCREW BIND PT3X10
233	352020-3	VERDELER ER2650LH P
234	453865-3	VERDEELBLOK ER2650LH P
235	453862-9	CARTERPLAAT ER2650LH
032A	806902-6	LABEL "MOTOR" EBH253U
032B	806902-6	LABEL "MOTOR" EBH253U
036A	893507-1	LABEL "EX2650"
036B	893507-1	LABEL "EX2650"
036E	893507-1	LABEL "EX2650"
037A	819760-1	LABEL "DATUM" ER2650LH P
037B	819760-1	LABEL "DATUM" ER2650LH P
038A	125776-9	REGELHANDVAT EX2650LH
038B	125776-9	REGELHANDVAT EX2650LH
038E	125776-9	REGELHANDVAT EX2650LH
044A	346248-3	BUISBEUGEL 24 ER2650LH

Nr.	Part nr.	Name
044B	346248-3	BUISBEUGEL 24 ER2650LH
050A	451592-6	GASHENDELKNOP ER2650LH P
050B	451592-6	GASHENDELKNOP ER2650LH P
050E	451592-6	GASHENDELKNOP ER2650LH P
060A	126202-1	LUCHTFILTERKAP ER2650LH
060B	126202-1	LUCHTFILTERKAP ER2650LH
060E	126202-1	LUCHTFILTERKAP ER2650LH
091A	450569-8	AFSTANDBUS EBH253U A
091B	450569-8	AFSTANDBUS EBH253U A
091E	450569-8	AFSTANDBUS EBH253U A
095A	165704-2	KOPPELINGSTROMMEL EX2650L
095B	165704-2	KOPPELINGSTROMMEL EX2650L
095E	165704-2	KOPPELINGSTROMMEL EX2650L
096A	266457-7	INBUSBOUT M6X25MM P
096B	266457-7	INBUSBOUT M6X25MM P
099A	168498-8	KOPPELINGSCHOEN EBH253U
099B	168498-8	KOPPELINGSCHOEN EBH253U
099E	168498-8	KOPPELINGSCHOEN EBH253U
102A	264039-9	BORGMOER MS246.4
102B	264039-9	BORGMOER MS246.4
102E	264039-9	BORGMOER MS246.4
116A	135478-9	CILINDERBLOK ASSY ER2650LH
116B	135478-9	CILINDERBLOK ASSY ER2650LH
116E	135478-9	CILINDERBLOK ASSY ER2650LH
140A	325669-2	UITLAATKLEP EBH253U A
140B	325669-2	UITLAATKLEP EBH253U A
140E	325669-2	UITLAATKLEP EBH253U A
143A	325670-7	INTAKE VALVE
143B	325670-7	INTAKE VALVE
143E	325670-7	INTAKE VALVE
144A	257298-2	ZUIGERVEER 34 "TOP" MS246.4 P
144B	257298-2	ZUIGERVEER 34 "TOP" MS246.4 P
145A	257299-0	ZUIGERVEER 34 "MID" MS246.4
145B	257299-0	ZUIGERVEER 34 "MID" MS246.4
146A	257300-1	ZUIGERVEER 34 MS246.4
146B	257300-1	ZUIGERVEER 34 MS246.4
149A	135481-0	KRUKAS MS246.4 P
149B	135481-0	KRUKAS MS246.4 P
150A	213148-1	OIL SEAL 10
150B	213148-1	OIL SEAL 10
151A	267400-9	SLUITRING 23 EBH253U A
151B	267400-9	SLUITRING 23 EBH253U A
152A	213147-3	OIL SEAL 12
152B	213147-3	OIL SEAL 12
166A	282020-8	SLANGKLEM EBH253U A
166B	282020-8	SLANGKLEM EBH253U A

Nr.	Part nr.	Name
166E	282020-8	SLANGKLEM EBH253U A
167A	325666-8	OIL WEIGHT
167B	325666-8	OIL WEIGHT
167E	325666-8	OIL WEIGHT
168A	424301-6	OLIELEIDING MS246.4
168B	424301-6	OLIELEIDING MS246.4
168E	424301-6	OLIELEIDING MS246.4
200A	266581-6	MET.SCHROEF PH2 M3X18MM CK A
200B	266581-6	MET.SCHROEF PH2 M3X18MM CK A
200E	266581-6	MET.SCHROEF PH2 M3X18MM CK A
032-1A	806902-6	LABEL "MOTOR" EBH253U
032-1B	806902-6	LABEL "MOTOR" EBH253U
032-1E	806902-6	LABEL "MOTOR" EBH253U
032-1F	806902-6	LABEL "MOTOR" EBH253U
032-1G	806902-6	LABEL "MOTOR" EBH253U
036-1A	809M02-9	EX2650LH MODEL NO. LABEL
036-1B	809M02-9	EX2650LH MODEL NO. LABEL
036-1E	809M02-9	EX2650LH MODEL NO. LABEL
036-1F	809M02-9	EX2650LH MODEL NO. LABEL
036-1G	809M02-9	EX2650LH MODEL NO. LABEL
037-1A	814A82-0	LABEL "DATUM" ER2650LH #
037-1B	814A82-0	LABEL "DATUM" ER2650LH #
037-2A	801D19-4	SERIAL NO. LABEL
037-2B	801D19-4	SERIAL NO. LABEL
037-2E	801D19-4	SERIAL NO. LABEL
037-2F	801D19-4	SERIAL NO. LABEL
037-2G	801D19-4	SERIAL NO. LABEL
038-1A	126488-7	CONTROLEHANDEL ASSY PE254.4
038-1B	126488-7	CONTROLEHANDEL ASSY PE254.4
038-1E	126488-7	CONTROLEHANDEL ASSY PE254.4
038-1F	126488-7	CONTROLEHANDEL ASSY PE254.4
038-1G	126488-7	CONTROLEHANDEL ASSY PE254.4
044-1A	346248-3	BUISBEUGEL 24 ER2650LH
044-1B	346248-3	BUISBEUGEL 24 ER2650LH
044-1E	346248-3	BUISBEUGEL 24 ER2650LH
044-1F	346248-3	BUISBEUGEL 24 ER2650LH
044-1G	346248-3	BUISBEUGEL 24 ER2650LH
050-1A	455313-8	GASHENDEL PE254.4
050-1B	455313-8	GASHENDEL PE254.4
050-1E	455313-8	GASHENDEL PE254.4
050-1F	455313-8	GASHENDEL PE254.4
050-1G	455313-8	GASHENDEL PE254.4
060-1A	123499-3	CLEANER COVER ASSEMBLY
060-1B	123499-3	CLEANER COVER ASSEMBLY
060-1E	123499-3	CLEANER COVER ASSEMBLY
060-1F	123499-3	CLEANER COVER ASSEMBLY

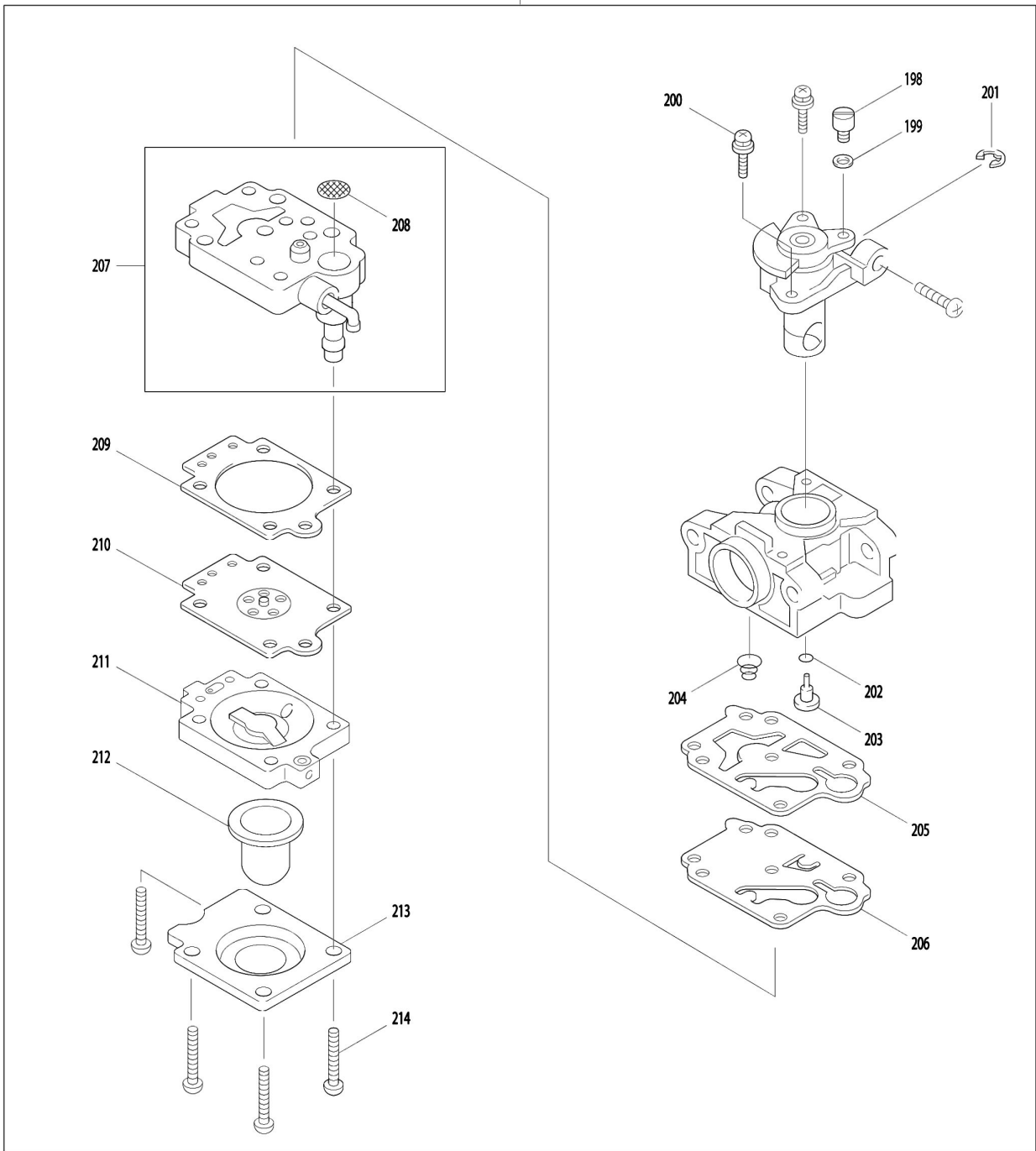
Nr.	Part nr.	Name
060-1G	123499-3	CLEANER COVER ASSEMBLY
091-1A	450569-8	AFSTANDBUS EBH253U A
091-1B	450569-8	AFSTANDBUS EBH253U A
091-1E	450569-8	AFSTANDBUS EBH253U A
091-1F	450569-8	AFSTANDBUS EBH253U A
091-1G	450569-8	AFSTANDBUS EBH253U A
095-1A	161588-6	CLUTCH DRUM COMPLETE
095-1B	161588-6	CLUTCH DRUM COMPLETE
095-1E	161588-6	CLUTCH DRUM COMPLETE
095-1F	161588-6	CLUTCH DRUM COMPLETE
095-1G	161588-6	CLUTCH DRUM COMPLETE
096-1A	266864-4	INBUSBOUT M6X25MM A
096-1B	266864-4	INBUSBOUT M6X25MM A
096-1E	266864-4	INBUSBOUT M6X25MM A
096-1F	266864-4	INBUSBOUT M6X25MM A
096-1G	266864-4	INBUSBOUT M6X25MM A
099-1A	161332-1	CLUTCH SHOE
099-1B	161332-1	CLUTCH SHOE
099-1E	161332-1	CLUTCH SHOE
099-1F	161332-1	CLUTCH SHOE
099-1G	161332-1	CLUTCH SHOE
102-1A	264039-9	BORGMOER MS246.4
102-1B	264039-9	BORGMOER MS246.4
102-1E	264039-9	BORGMOER MS246.4
102-1F	264039-9	BORGMOER MS246.4
102-1G	264039-9	BORGMOER MS246.4
116-1A	135478-9	CILINDERBLOK ASSY ER2650LH
116-1B	135478-9	CILINDERBLOK ASSY ER2650LH
116-1E	135478-9	CILINDERBLOK ASSY ER2650LH
116-1F	135478-9	CILINDERBLOK ASSY ER2650LH
116-1G	135478-9	CILINDERBLOK ASSY ER2650LH
140-1A	326366-3	EXHAUST VALVE
140-1B	326366-3	EXHAUST VALVE
140-1E	326366-3	EXHAUST VALVE
140-1F	326366-3	EXHAUST VALVE
140-1G	326366-3	EXHAUST VALVE
143-1A	326367-1	INTAKE VALVE
143-1B	326367-1	INTAKE VALVE
143-1E	326367-1	INTAKE VALVE
143-1F	326367-1	INTAKE VALVE
143-1G	326367-1	INTAKE VALVE
144-1A	195145-8	ZUIGERVEERSET EBH253U A
144-1B	195145-8	ZUIGERVEERSET EBH253U A
144-1E	195145-8	ZUIGERVEERSET EBH253U A
144-1F	195145-8	ZUIGERVEERSET EBH253U A
144-1G	195145-8	ZUIGERVEERSET EBH253U A

Nr.	Part nr.	Name
149-1A	126204-7	KRUKAS MS246.4 P
149-1B	126204-7	KRUKAS MS246.4 P
149-2A	126359-8	KRUKAS MS246.4 A
149-2B	126359-8	KRUKAS MS246.4 A
149-2E	126359-8	KRUKAS MS246.4 A
149-3A	123774-7	CRANK SHAFT ASSEMBLY
149-3B	123774-7	CRANK SHAFT ASSEMBLY
149-3E	123774-7	CRANK SHAFT ASSEMBLY
149-3F	123774-7	CRANK SHAFT ASSEMBLY
149-3G	123774-7	CRANK SHAFT ASSEMBLY
150-1A	213148-1	OIL SEAL 10
150-1B	213148-1	OIL SEAL 10
150-1E	213148-1	OIL SEAL 10
150-2A	213769-9	KEERRING (OLIE) 10 EBH253U A
150-2B	213769-9	KEERRING (OLIE) 10 EBH253U A
150-2E	213769-9	KEERRING (OLIE) 10 EBH253U A
150-2F	213769-9	KEERRING (OLIE) 10 EBH253U A
150-2G	213769-9	KEERRING (OLIE) 10 EBH253U A
151-1A	267400-9	SLUITRING 23 EBH253U A
151-1B	267400-9	SLUITRING 23 EBH253U A
151-1E	267400-9	SLUITRING 23 EBH253U A
151-1F	267400-9	SLUITRING 23 EBH253U A
151-1G	267400-9	SLUITRING 23 EBH253U A
152-1A	213147-3	OIL SEAL 12
152-1B	213147-3	OIL SEAL 12
152-1E	213147-3	OIL SEAL 12
152-2A	213089-1	OIL SEAL 12
152-2B	213089-1	OIL SEAL 12
152-2E	213089-1	OIL SEAL 12
152-2F	213089-1	OIL SEAL 12
152-2G	213089-1	OIL SEAL 12
166-1A	282020-8	SLANGKLEM EBH253U A
166-1B	282020-8	SLANGKLEM EBH253U A
166-1E	282020-8	SLANGKLEM EBH253U A
166-1F	282020-8	SLANGKLEM EBH253U A
166-1G	282020-8	SLANGKLEM EBH253U A
167-1A	325666-8	OIL WEIGHT
167-1B	325666-8	OIL WEIGHT
167-1E	325666-8	OIL WEIGHT
167-1F	325666-8	OIL WEIGHT
167-1G	325666-8	OIL WEIGHT
168-1A	125805-8	OIL TUBE ASSEMBLY
168-1B	125805-8	OIL TUBE ASSEMBLY
168-1E	125805-8	OIL TUBE ASSEMBLY
168-1F	125805-8	OIL TUBE ASSEMBLY
168-1G	125805-8	OIL TUBE ASSEMBLY



Nr.	Part nr.	Name
200-1A	WJ00096364	SCREW DCS230T
200-1B	WJ00096364	SCREW DCS230T
200-1E	WJ00096364	SCREW DCS230T
200-1F	WJ00096364	SCREW DCS230T
200-1G	WJ00096364	SCREW DCS230T
206-1	WJ00009599	PUMP DIAPHRAGM DCS230T

197



Nr.	Part nr.	Name
001	893509-7	LABEL "LET OP"
002	451601-1	AFSTANDHOUDER BBC300L
003	141238-9	BINNENAS UX361DZ
004	195143-2	DRAAGGOEG EBH253U
005	911233-1	SCREW M5X20 TW1000-2012NB-2704
006	141008-6	STEEL EX2650LH
007	266034-5	TAPSCHROEF CT4X16 A
008	452840-6	KAP TBV ONTGRENDELKNOP BUB361Z
009	452839-1	ONTGRENDELKNOP BUX361
010	265596-0	INBUSBOUT M6X40
011	318750-6	VERBINDINGSSTUK BUX361
012	922211-6	HSB BOLT M5X12 AN250
013	922342-1	HEX SOCK HEAD BOLT M6X25 AN942
014	931302-2	HEX NUT M6 HR4011C/3210FCT
015	272268-0	HANDEL BUX361Z
016	253332-6	THIN WASHER 6 JR1000FTK
017	213105-9	O RING 11 6836
018	252159-1	HEX NUT M6 BCS550
019	961014-3	STOPRING E-8 BSS500/610
020	961052-5	RETAINING RING S-12 SP6000
033	816567-6	LABEL "SERIEN" ER2650LH
034	819430-2	WAARSCHUWINGSLABEL MS246.4
039	266130-9	SCHROEF 3X16 P
040	451595-0	SCHAKELKNOPKAP ER2650LH P
041	451594-2	SCHAKELKNOP A/U ER2650LH P
042	232251-9	BLADVEER EBH253U
043	188832-6	HANDGREEPDEKSEL ER2650LH P
045	922218-2	INBUSBOUT M5X14MM
046	451593-4	BLOKKEER-KNOP ER2650LH P
047	233541-3	TORSIEVEER 7 EBH253U
048	168571-4	GASKABEL ER2650LH
049	233540-5	TORSIEVEER 11 EBH253U
051	638714-7	DRAADBOOM ER2650LH P
052	638713-9	DRAADBOOM ER2650LH P
053	452071-7	BUITENKABEL ER2650LH
054	266326-2	TAPPING SCREW 4X18 HR2800/11FT
055	188832-6	HANDGREEPDEKSEL ER2650LH P
061	265791-2	VLEUGELBOUT M4 EH7500S
062	443171-4	VOORFILTER CS-246.4
063	443169-1	LUCHTFILTERELEMENT CS-246.4
064	266618-9	INBUSBOUT M5X60MM MS246.4
066	162346-3	SCHEIDINGSPLAAT ER2650LH P
067	213540-1	O-RING 15 EBH253U A
068	424316-3	OVERDRUKVENTIEL EBH253U A
069	422099-9	LUCHTPIJP ER2650LH
070	325665-0	VERBINDINGSBUS MS246.4 A

Nr.	Part nr.	Name
071	442153-3	INLAATPAKKING MS246.4
072	266787-6	INBUSBOUT M8X18MM ER2650LH A
073	451825-9	KLEM MS245.4
074	451729-5	SPRUITSTUK MS254.4
075	213547-7	O-RING 12 MS246.4
076	422109-2	ONTLUCHTINGSPIJP EX2650
077	345918-1	SLANGKLEM EBH253U A
078	318745-9	KLEPPENDEKSEL MS246.4 A
079	922222-1	HEX. SOCKET HEAD BOLT M5X16
080	453860-3	KLEPPENDEKSEL "BIN" ER2650LH
081	162304-9	KLEPPENDEKSELPAKKING MS246.4
082	424302-4	BOUGIEDOP EH7500S
083	324891-8	BOUGIEVEER EBH253U P
084	168534-0	SPARK PLUG
085	125554-7	ROCKER ARM ASSY
086	256200-2	PIN 5 2704
087	256865-0	KLEPPENPEN 2.5MM EBH253U A
088	325668-4	SPRING RETAINER
089	451735-0	KOPPELINGSTROMMEL MS246.4
090	922228-9	INBUSBOUT M5X18MM CK P
092	961052-5	RETAINING RING S-12 SP6000
093	210111-5	KOGELLAGER 6201DDU A
094	962151-6	RETAINING RING R-32 BGA452
097	267817-6	SLUITRING 8 EBH253U A
098	126135-0	KOPPELING CPL ER2650LH A
100	231881-3	TREKVEER 7 ER2650LH A
101	267812-6	SLUITRING 6 EBH253U A
103	318569-3	VLIEGWIEL MS246.4U
104	444021-6	SLANG MS246.4 A
105	266602-4	INBUSBOUT M4X20MM MS246.4 A
106	452049-0	AFSTANDBUS MS246.4 A
107	168559-4	ONTSTEKING MS246.4
108	268238-5	PEN 5MM EBH253U A
109	125552-1	CAM GEAR ASSY
110	313169-4	CAM LIFTER
112	268239-3	PEN 4MM EBH253U A
113	162274-2	CAM GEAR COVER GASKET
114	318443-5	CARTERDEKSEL EBH253U A
115	922222-1	HEX. SOCKET HEAD BOLT M5X16
117	922222-1	HEX. SOCKET HEAD BOLT M5X16
118	424201-0	CONTROLE KLEP EBH253U A
119	346331-6	UITLAATPAKKING MS246.4 A
120	168554-4	UITLAAT MS246.4
121	266440-4	INBUSBOUT M5X40MM CK A
122	168483-1	STARTPULLEY BHX2501 A
123	451731-8	UITLAATPLAAT MS246.4

Nr.	Part nr.	Name
124	922218-2	INBUSBOUT M5X14MM
125	638707-4	DRAADBOOM MS246.4
126	638708-2	DRAADBOOM MS246.4
128	922218-2	INBUSBOUT M5X14MM
129	453266-5	CILINDERAFDEKKAP ER2650LH
130	922218-2	INBUSBOUT M5X14MM
131	424082-2	BUFFER RUBBER DBC260U
132	922211-6	HSH BOLT M5X12 AN250
133	922226-3	HSH BOLT M5X18 BJV140/180
134	318249-1	PIPE HOLDER DBC260U
135	318250-6	PIPE HOLDER DBC260U
136	424083-0	BUFFER RUBBER DBC260U
137	424200-2	AFSTANDHOUDER EBH253U A
138	234108-0	COMPRESSION SPRING 9
147	318441-9	PISTON
148	254040-2	INLEGSPIE 3 MS355.4U A
153	257781-9	ZUIGERPEN EBH253U A
154	233976-8	BORGRING TBV Z-PEN EBH253U A
155	162345-5	CARTERPAKKING ER2650LH
156	346083-9	TOEVOER KLEP EBH253U A
157	318910-0	BORGPLAAT ER2650LH
158	922112-8	HSH BOLT M4X10 BPT350
159	318588-9	KARTERDEKSEL MS246.4
160	922222-1	HEX. SOCKET HEAD BOLT M5X16
161	424344-8	STOOTBUFFER MS246.4
162	346305-7	PAKKINGRING MS246.4 A
163	266611-3	CARTEBOUT M6X8MM MS246.4
164	213548-5	O-RING 20 MS246.4
165	325665-0	VERBINDINGSBUS MS246.4 A
169	452047-4	OLIEDOP MS246.4 A
170	424343-0	PAKKING MS246.4 A
171	452048-2	OLIEPIJP MS246.4
172	922218-2	INBUSBOUT M5X14MM
173	125728-0	TANKDOP ASSY MS246.4
174	451739-2	TANKDOP MS246.4 P
175	168755-4	OPVOERSLANG ER2650LH A
176	282020-8	SLANGKLEM EBH253U A
177	163518-3	BRANDSTOFFILTER MS246.4 A
178	451736-8	BENZINETANK MS246.4
179	424080-6	BUFFER RUBBER DBC260U
180	424081-4	BUFFER RUBBER DBC260U
181	451737-6	TANKSTEUN MS246.4
182	922218-2	INBUSBOUT M5X14MM
183	195308-6	STARTINRICHTING ER2650LH
184	424319-7	STARTERGREEP EBH253U A
185	424359-5	STOOTBUFFER MS246.4 A

Nr.	Part nr.	Name
187	266585-8	PARKER 5X12MM CK A
188	325923-4	SWING ARM EH490V A
189	451938-6	BINNENBUS EH490V/BHX2501 A
190	451937-8	STARTKOORDTROMMEL EM4250 A
191	232258-5	STARTERVEER EBH253U A
192	444023-2	STARTERKOORD ER2650LH
193	451733-4	KAP TBV STARTINR ER2650LH P
194	922223-9	MET.SCHROEF PH2 M5X16MM CK A
196	816565-0	LABEL "MAKITA" ER2650LH
197	168762-7	CARBURATEUR EX2650 A
198	325922-6	ZWENKELEMENT EBH253U A
199	413140-9	REKET EBH253U A
201	257964-1	SEEGERING E-3 A
202	213538-8	O-RING 2 A
203	325985-2	GASNAALD MS246.4
204	234183-6	DRUKVEER 5-9 EBH253U A
205	442155-9	MEMBRAAMPAKKING EBH253U A
207	141737-1	POMPHUIS EX2650/LT246
208	352021-1	INLET SCREEN
209	442154-1	MEMBRAAMPAKKING EBH253U A
210	168620-7	MEMBRAAM MS246.4 A
211	140438-8	LUCHTZUIVERHUIS EBH253U A
212	424314-7	OPVOERPOMP EBH253U A
213	346270-0	POMPDEKSEL EBH253U A
214	266582-4	PARKER 3X24MM CK A
215	810455-9	WAARSCHUWINGSLABEL "FUEL" A
216	800F73-7	LABEL "INDICATIE" CS246
217	941152-7	FLAT WASHER 6 2107FK-LF1000
223	266427-6	TAPSCHROEF 4X12 MS246.4
224	452219-1	CHOKEPLAAT MS246.4
231	452220-6	CHOKEHANDEL MS246.4
232	266007-8	TAPPING SCREW BIND PT3X10
233	352020-3	VERDELER ER2650LH P
234	453865-3	VERDEELBLOK ER2650LH P
235	453862-9	CARTERPLAAT ER2650LH
032A	806902-6	LABEL "MOTOR" EBH253U
032B	806902-6	LABEL "MOTOR" EBH253U
036A	893507-1	LABEL "EX2650"
036B	893507-1	LABEL "EX2650"
036E	893507-1	LABEL "EX2650"
037A	819760-1	LABEL "DATUM" ER2650LH P
037B	819760-1	LABEL "DATUM" ER2650LH P
038A	125776-9	REGELHANDVAT EX2650LH
038B	125776-9	REGELHANDVAT EX2650LH
038E	125776-9	REGELHANDVAT EX2650LH
044A	346248-3	BUISBEUGEL 24 ER2650LH

Nr.	Part nr.	Name
044B	346248-3	BUISBEUGEL 24 ER2650LH
050A	451592-6	GASHENDELKNOP ER2650LH P
050B	451592-6	GASHENDELKNOP ER2650LH P
050E	451592-6	GASHENDELKNOP ER2650LH P
060A	126202-1	LUCHTFILTERKAP ER2650LH
060B	126202-1	LUCHTFILTERKAP ER2650LH
060E	126202-1	LUCHTFILTERKAP ER2650LH
091A	450569-8	AFSTANDBUS EBH253U A
091B	450569-8	AFSTANDBUS EBH253U A
091E	450569-8	AFSTANDBUS EBH253U A
095A	165704-2	KOPPELINGSTROMMEL EX2650L
095B	165704-2	KOPPELINGSTROMMEL EX2650L
095E	165704-2	KOPPELINGSTROMMEL EX2650L
096A	266457-7	INBUSBOUT M6X25MM P
096B	266457-7	INBUSBOUT M6X25MM P
099A	168498-8	KOPPELINGSCHOEN EBH253U
099B	168498-8	KOPPELINGSCHOEN EBH253U
099E	168498-8	KOPPELINGSCHOEN EBH253U
102A	264039-9	BORGMOER MS246.4
102B	264039-9	BORGMOER MS246.4
102E	264039-9	BORGMOER MS246.4
116A	135478-9	CILINDERBLOK ASSY ER2650LH
116B	135478-9	CILINDERBLOK ASSY ER2650LH
116E	135478-9	CILINDERBLOK ASSY ER2650LH
140A	325669-2	UITLAATKLEP EBH253U A
140B	325669-2	UITLAATKLEP EBH253U A
140E	325669-2	UITLAATKLEP EBH253U A
143A	325670-7	INTAKE VALVE
143B	325670-7	INTAKE VALVE
143E	325670-7	INTAKE VALVE
144A	257298-2	ZUIGERVEER 34 "TOP" MS246.4 P
144B	257298-2	ZUIGERVEER 34 "TOP" MS246.4 P
145A	257299-0	ZUIGERVEER 34 "MID" MS246.4
145B	257299-0	ZUIGERVEER 34 "MID" MS246.4
146A	257300-1	ZUIGERVEER 34 MS246.4
146B	257300-1	ZUIGERVEER 34 MS246.4
149A	135481-0	KRUKAS MS246.4 P
149B	135481-0	KRUKAS MS246.4 P
150A	213148-1	OIL SEAL 10
150B	213148-1	OIL SEAL 10
151A	267400-9	SLUITRING 23 EBH253U A
151B	267400-9	SLUITRING 23 EBH253U A
152A	213147-3	OIL SEAL 12
152B	213147-3	OIL SEAL 12
166A	282020-8	SLANGKLEM EBH253U A
166B	282020-8	SLANGKLEM EBH253U A

Nr.	Part nr.	Name
166E	282020-8	SLANGKLEM EBH253U A
167A	325666-8	OIL WEIGHT
167B	325666-8	OIL WEIGHT
167E	325666-8	OIL WEIGHT
168A	424301-6	OLIELEIDING MS246.4
168B	424301-6	OLIELEIDING MS246.4
168E	424301-6	OLIELEIDING MS246.4
200A	266581-6	MET.SCHROEF PH2 M3X18MM CK A
200B	266581-6	MET.SCHROEF PH2 M3X18MM CK A
200E	266581-6	MET.SCHROEF PH2 M3X18MM CK A
032-1A	806902-6	LABEL "MOTOR" EBH253U
032-1B	806902-6	LABEL "MOTOR" EBH253U
032-1E	806902-6	LABEL "MOTOR" EBH253U
032-1F	806902-6	LABEL "MOTOR" EBH253U
032-1G	806902-6	LABEL "MOTOR" EBH253U
036-1A	809M02-9	EX2650LH MODEL NO. LABEL
036-1B	809M02-9	EX2650LH MODEL NO. LABEL
036-1E	809M02-9	EX2650LH MODEL NO. LABEL
036-1F	809M02-9	EX2650LH MODEL NO. LABEL
036-1G	809M02-9	EX2650LH MODEL NO. LABEL
037-1A	814A82-0	LABEL "DATUM" ER2650LH #
037-1B	814A82-0	LABEL "DATUM" ER2650LH #
037-2A	801D19-4	SERIAL NO. LABEL
037-2B	801D19-4	SERIAL NO. LABEL
037-2E	801D19-4	SERIAL NO. LABEL
037-2F	801D19-4	SERIAL NO. LABEL
037-2G	801D19-4	SERIAL NO. LABEL
038-1A	126488-7	CONTROLEHANDEL ASSY PE254.4
038-1B	126488-7	CONTROLEHANDEL ASSY PE254.4
038-1E	126488-7	CONTROLEHANDEL ASSY PE254.4
038-1F	126488-7	CONTROLEHANDEL ASSY PE254.4
038-1G	126488-7	CONTROLEHANDEL ASSY PE254.4
044-1A	346248-3	BUISBEUGEL 24 ER2650LH
044-1B	346248-3	BUISBEUGEL 24 ER2650LH
044-1E	346248-3	BUISBEUGEL 24 ER2650LH
044-1F	346248-3	BUISBEUGEL 24 ER2650LH
044-1G	346248-3	BUISBEUGEL 24 ER2650LH
050-1A	455313-8	GASHENDEL PE254.4
050-1B	455313-8	GASHENDEL PE254.4
050-1E	455313-8	GASHENDEL PE254.4
050-1F	455313-8	GASHENDEL PE254.4
050-1G	455313-8	GASHENDEL PE254.4
060-1A	123499-3	CLEANER COVER ASSEMBLY
060-1B	123499-3	CLEANER COVER ASSEMBLY
060-1E	123499-3	CLEANER COVER ASSEMBLY
060-1F	123499-3	CLEANER COVER ASSEMBLY

Nr.	Part nr.	Name
060-1G	123499-3	CLEANER COVER ASSEMBLY
091-1A	450569-8	AFSTANDBUS EBH253U A
091-1B	450569-8	AFSTANDBUS EBH253U A
091-1E	450569-8	AFSTANDBUS EBH253U A
091-1F	450569-8	AFSTANDBUS EBH253U A
091-1G	450569-8	AFSTANDBUS EBH253U A
095-1A	161588-6	CLUTCH DRUM COMPLETE
095-1B	161588-6	CLUTCH DRUM COMPLETE
095-1E	161588-6	CLUTCH DRUM COMPLETE
095-1F	161588-6	CLUTCH DRUM COMPLETE
095-1G	161588-6	CLUTCH DRUM COMPLETE
096-1A	266864-4	INBUSBOUT M6X25MM A
096-1B	266864-4	INBUSBOUT M6X25MM A
096-1E	266864-4	INBUSBOUT M6X25MM A
096-1F	266864-4	INBUSBOUT M6X25MM A
096-1G	266864-4	INBUSBOUT M6X25MM A
099-1A	161332-1	CLUTCH SHOE
099-1B	161332-1	CLUTCH SHOE
099-1E	161332-1	CLUTCH SHOE
099-1F	161332-1	CLUTCH SHOE
099-1G	161332-1	CLUTCH SHOE
102-1A	264039-9	BORGMOER MS246.4
102-1B	264039-9	BORGMOER MS246.4
102-1E	264039-9	BORGMOER MS246.4
102-1F	264039-9	BORGMOER MS246.4
102-1G	264039-9	BORGMOER MS246.4
116-1A	135478-9	CILINDERBLOK ASSY ER2650LH
116-1B	135478-9	CILINDERBLOK ASSY ER2650LH
116-1E	135478-9	CILINDERBLOK ASSY ER2650LH
116-1F	135478-9	CILINDERBLOK ASSY ER2650LH
116-1G	135478-9	CILINDERBLOK ASSY ER2650LH
140-1A	326366-3	EXHAUST VALVE
140-1B	326366-3	EXHAUST VALVE
140-1E	326366-3	EXHAUST VALVE
140-1F	326366-3	EXHAUST VALVE
140-1G	326366-3	EXHAUST VALVE
143-1A	326367-1	INTAKE VALVE
143-1B	326367-1	INTAKE VALVE
143-1E	326367-1	INTAKE VALVE
143-1F	326367-1	INTAKE VALVE
143-1G	326367-1	INTAKE VALVE
144-1A	195145-8	ZUIGERVEERSET EBH253U A
144-1B	195145-8	ZUIGERVEERSET EBH253U A
144-1E	195145-8	ZUIGERVEERSET EBH253U A
144-1F	195145-8	ZUIGERVEERSET EBH253U A
144-1G	195145-8	ZUIGERVEERSET EBH253U A

Nr.	Part nr.	Name
149-1A	126204-7	KRUKAS MS246.4 P
149-1B	126204-7	KRUKAS MS246.4 P
149-2A	126359-8	KRUKAS MS246.4 A
149-2B	126359-8	KRUKAS MS246.4 A
149-2E	126359-8	KRUKAS MS246.4 A
149-3A	123774-7	CRANK SHAFT ASSEMBLY
149-3B	123774-7	CRANK SHAFT ASSEMBLY
149-3E	123774-7	CRANK SHAFT ASSEMBLY
149-3F	123774-7	CRANK SHAFT ASSEMBLY
149-3G	123774-7	CRANK SHAFT ASSEMBLY
150-1A	213148-1	OIL SEAL 10
150-1B	213148-1	OIL SEAL 10
150-1E	213148-1	OIL SEAL 10
150-2A	213769-9	KEERRING (OLIE) 10 EBH253U A
150-2B	213769-9	KEERRING (OLIE) 10 EBH253U A
150-2E	213769-9	KEERRING (OLIE) 10 EBH253U A
150-2F	213769-9	KEERRING (OLIE) 10 EBH253U A
150-2G	213769-9	KEERRING (OLIE) 10 EBH253U A
151-1A	267400-9	SLUITRING 23 EBH253U A
151-1B	267400-9	SLUITRING 23 EBH253U A
151-1E	267400-9	SLUITRING 23 EBH253U A
151-1F	267400-9	SLUITRING 23 EBH253U A
151-1G	267400-9	SLUITRING 23 EBH253U A
152-1A	213147-3	OIL SEAL 12
152-1B	213147-3	OIL SEAL 12
152-1E	213147-3	OIL SEAL 12
152-2A	213089-1	OIL SEAL 12
152-2B	213089-1	OIL SEAL 12
152-2E	213089-1	OIL SEAL 12
152-2F	213089-1	OIL SEAL 12
152-2G	213089-1	OIL SEAL 12
166-1A	282020-8	SLANGKLEM EBH253U A
166-1B	282020-8	SLANGKLEM EBH253U A
166-1E	282020-8	SLANGKLEM EBH253U A
166-1F	282020-8	SLANGKLEM EBH253U A
166-1G	282020-8	SLANGKLEM EBH253U A
167-1A	325666-8	OIL WEIGHT
167-1B	325666-8	OIL WEIGHT
167-1E	325666-8	OIL WEIGHT
167-1F	325666-8	OIL WEIGHT
167-1G	325666-8	OIL WEIGHT
168-1A	125805-8	OIL TUBE ASSEMBLY
168-1B	125805-8	OIL TUBE ASSEMBLY
168-1E	125805-8	OIL TUBE ASSEMBLY
168-1F	125805-8	OIL TUBE ASSEMBLY
168-1G	125805-8	OIL TUBE ASSEMBLY



Nr.	Part nr.	Name
200-1A	WJ00096364	SCREW DCS230T
200-1B	WJ00096364	SCREW DCS230T
200-1E	WJ00096364	SCREW DCS230T
200-1F	WJ00096364	SCREW DCS230T
200-1G	WJ00096364	SCREW DCS230T
206-1	WJ00009599	PUMP DIAPHRAGM DCS230T