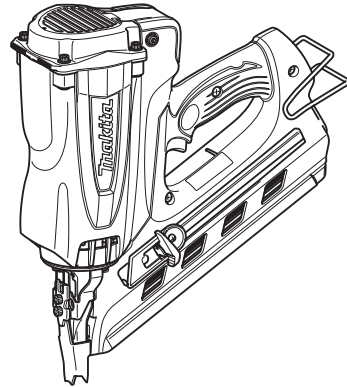


INSTRUCTION MANUAL



Cordless Clipped Head Framing Nailer

GN900



Read before use.












SPECIFICATIONS

Model	GN900
Nail length X Shank diameter	Nail L :50 mm - 90 mm d : 2.9 mm - 3.3 mm
Nail capacity	40 nails (1strip)
Nail collation angle (degree)	34
Figure of nail head	Clipped
Dimensions (L X W X H)	321 mm X 108 mm X 368 mm
Net weight	3.3 kg
Rated voltage	D.C. 7.2 V

- Due to our continuing program of research and development, the specifications herein are subject to change without notice.
- Specifications and battery cartridge may differ from country to country.

Symbols

The following show the symbols used for the equipment. Be sure that you understand their meaning before use.

	Read instruction manual.
	Container under pressure, keep away from temperatures over 50°C (for ex. sun radiation) Keep container in a well ventilated place.
	Use only outside or well ventilated rooms. Do not breathe gas.
	Do not use near flames or sprays on heated surfaces. In use, may form flammable/explosive vapour-air mixture.
	Do not damage, puncture or burn even after use.
	Wear safety glasses.
	Wear ear protection.
	Keep fingers away from trigger when not driving fasteners to avoid accidental firing.
	Use only in ventilated area to avoid nausea and unconsciousness. Never use tool in combustible atmospheres. The tool exhaust may ignite flammable materials.
	Do not use on scaffolding, ladders.
	Warning: hot surface! Do not touch around this symbol. Touching the surface may cause burns or injuries.



Only for EU countries
Do not dispose of electric equipment or battery pack together with household waste material!
In observance of the European Directives, on Waste Electric and Electronic Equipment and Batteries and Accumulators and Waste Batteries and Accumulators and their implementation in accordance with national laws, electric equipment and batteries and battery pack(s) that have reached the end of their life must be collected separately and returned to an environmentally compatible recycling facility.

Intended use

The tool is intended for the preliminary interior work such as fixing floor joists or common rafters and framing work in 2" x 4" housing.

The tool is for high-volume professional application only. Do not use it for any other purpose. It is not designed to drive fasteners directly on a hard surface like steel and concrete.

Noise

The typical A-weighted noise level determined according to EN ISO 11148-13:

Sound pressure level (L_{pA}) : 89 dB (A)

Sound power level (L_{WA}) : 102 dB (A)

Uncertainty (K) : 3 dB (A)

Wear ear protection

Vibration

The vibration total value determined according to EN ISO 11148-13:

Vibration emission (a_h) : 2.5 m/s² or less

Uncertainty (K) : 1.5 m/s²

NOTE: The declared vibration emission value has been measured in accordance with the standard test method and may be used for comparing one tool with another.

NOTE: The declared vibration emission value may also be used in a preliminary assessment of exposure.

⚠ WARNING: The vibration emission during actual use of the power tool can differ from the declared emission value depending on the ways in which the tool is used.

⚠ WARNING: Be sure to identify safety measures to protect the operator that are based on an estimation of exposure in the actual conditions of use (taking account of all parts of the operating cycle such as the times when the tool is switched off and when it is running idle in addition to the trigger time).

EC Declaration of Conformity

For European countries only

The EC declaration of conformity is included as Annex A to this instruction manual.

Gas nailer safety warnings

⚠ WARNING: Read all safety warnings and all instructions. Failure to follow the warnings and instructions may result in serious injury, electric shock and/or fire.

Save all warnings and instructions for future reference.

For personal safety and proper operation and maintenance of the tool, read this instruction manual before using the tool.

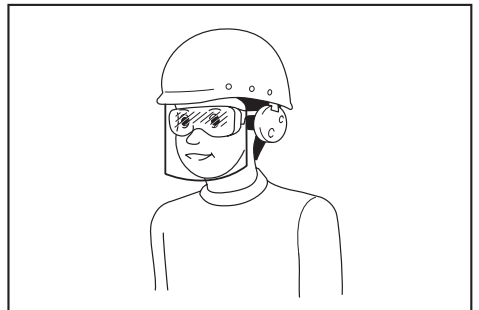
General safety

1. Any other use except for intended use of this tool is forbidden. Fastener driving tools with continual contact actuation or contact actuation shall only be used for production applications.
2. Keep fingers away from trigger when not operating this tool and when moving from one operating position to another.
3. Multiple hazards. Read and understand the safety instructions before connecting, disconnecting, loading, operating, maintaining, changing accessories on, or working near the tool. Failure to do so can result in serious bodily injury.
4. Keep all body parts such as hands and legs etc. away from firing direction and ensure fastener cannot penetrate workpiece into parts of the body.
5. When using the tool, be aware that the fastener could deflect and cause injury.
6. Hold the tool with a firm grasp and be prepared to manage recoil.
7. Only technically skilled operators should use the fastener driving tool.
8. Do not modify the fastener driving tool. Modifications may reduce the effectiveness of safety measures and increase the risks to the operator and/or bystander.
9. Do not discard the instruction manual.
10. Do not use a tool if the tool has been damaged.
11. Be careful when handling fasteners, especially

- when loading and unloading, as the fasteners have sharp points which could cause injury.
12. Always check the tool before use for broken, misconnected or worn parts.
13. Do not overreach. Only use in a safe working place. Keep proper footing and balance at all times.
14. Keep bystanders away (when working in an area where there is a likelihood of through traffic of people). Clearly mark off your operating area.
15. Never point the tool at yourself or others.
16. Do not rest your finger on the trigger when picking up the tool, moving between operating areas and positions or walking, as resting finger on trigger can lead to inadvertent operation. For tools with selective actuation, always check the tool before use to ascertain the correct mode is selected.
17. Only wear gloves that provide adequate feel and safe control of triggers and any adjusting devices.
18. When resting the tool, lay it down on the flat surface. If you use the hook equipped with the tool, hook the tool securely on the stable surface.
19. Do not operate when under the influence of alcohol, drugs or the like.

Projectile hazards

1. The fastener driving tool shall be disconnected when unloading fasteners, making adjustments, clearing jams or changing accessories.
2. During operation be careful that fasteners penetrate material correctly and cannot be deflected/misfired towards operator and/or any bystanders.
3. During operation, debris from workpiece and fastening/collation system may be discharged.
4. Always wear protective goggles to protect your eyes from injury when using power tools. The goggles must comply with ANSI Z87.1 in the USA, EN 166 in Europe, or AS/NZS 1336 in Australia/New Zealand. In Australia/New Zealand, it is legally required to wear a face shield to protect your face, too.



It is an employer's responsibility to enforce the use of appropriate safety protective equipments by the tool operators and by other persons in the immediate working area.

5. The risks to others shall be assessed by the

operator.

6. **Be careful with tools without workpiece contact as they can be fired unintentionally and injure operator and/or bystander.**
7. **Ensure tool is always safely engaged on the workpiece and cannot slip.**
8. **Wear hearing protection to protect your ears against exhaust noise and head protection. Also wear light but not loose clothing. Sleeves should be buttoned or rolled up. No necktie should be worn.**

Operating hazards

1. **Hold the tool correctly: be ready to counteract normal or sudden movements such as recoil.**
2. **Maintain a balanced body position and secure footing.**
3. **Appropriate safety glasses shall be used and appropriate gloves and protective clothing are recommended.**
4. **Appropriate hearing protection shall be worn.**
5. **Use the correct energy supply as directed in the instruction manual.**
6. **Do not use the tool on moving platforms or back of trucks. Sudden movement of the platform may lose control of the tool and cause injury.**
7. **Always assume that the tool contains fasteners.**
8. **Do not rush the job or force the tool. Handle the tool carefully.**
9. **Watch your footing and maintain your balance with the tool. Make sure there is no one below when working in high locations.**
10. **On rooftops and other high locations, drive fasteners as you move forward. It is easy to lose your footing if you drive fasteners while inching backward. When driving fasteners against perpendicular surface, work from the top to the bottom. You can perform driving operations with less fatigue by doing so.**
11. **A fastener will be bent or the tool can become jammed if you mistakenly drive fastener on top of another fastener or strike a knot in the wood. The fastener may be thrown and hit someone, or the tool itself can react dangerously. Place the fasteners with care.**
12. **Never attempt to drive fasteners from both the inside and outside at the same time. Fasteners may rip through and/or fly off, presenting a grave danger.**

Repetitive motions hazards

1. **When using a tool for long periods, the operator may experience discomfort in the hands, arms, shoulders, neck, or other parts of the body.**
2. **While using a tool, the operator should adopt a suitable but ergonomic posture. Maintain secure footing and avoid awkward or off-balanced postures.**
3. **If the operator experiences symptoms such as persistent or recurring discomfort, pain, throbbing, aching, tingling, numbness, burning sensation, or stiffness, do not ignore these warning signs. The operator should consult a**

qualified health professional regarding overall activities.

4. **The continuous use of the tool may cause repetitive strain injury due to recoil produced by the tool.**
5. **To avoid repetitive strain injury, the operator should not overreach or use excessive force. Additionally, the operator should take a rest when feeling fatigue.**
6. **Conduct a risk assessment regarding repetitive motion hazards. It should focus on muscular-skeletal disorders and be preferentially based on the assumption that decreasing fatigue during work is effective in reducing disorders.**

Accessory and consumable hazards

1. **Remove the gas container and battery before changing/replacing accessories such as workpiece contact, or making any adjustments.**
2. **Use only the sizes and types of accessories that are provided by the manufacturer.**
3. **Use only lubricants recommended in this manual.**

Workplace hazards

1. **Slips, trips and falls are major causes of workplace injury. Be aware of slippery surfaces caused by use of the tool and also of trip hazards caused by the air line hose.**
2. **Proceed with additional care in unfamiliar surroundings. Hidden hazards may exist, such as electricity or other utility lines.**
3. **This tool is not intended for use in potentially explosive atmospheres and is not insulated from coming into contact with electric power.**
4. **Make sure there are no electrical cables, gas pipes etc. that could cause a hazard if damaged by use of the tool.**
5. **Keep work area clean and well lit. Cluttered or dark areas invite accidents.**
6. **There may be local regulations concerning noise which must be complied with by keeping noise levels within prescribed limits. In certain cases, shutters should be used to contain noise.**

Dust and exhaust hazards

1. **Always check your surroundings. The exhaust from the tool may blow dust or objects and hit operator and/or bystanders.**
2. **Direct the exhaust so as to minimize disturbance of dust in a dust filled environment.**
3. **If dust or objects are emitted in the work area, reduce the emission as much as possible to reduce the health hazards and risk of injury.**

Noise hazards

1. **Unprotected exposure to high noise levels can cause permanent, disabling, hearing loss and other problems such as tinnitus (ringing, buzzing, whistling or humming in the ears).**
2. **Conduct a risk assessment regarding noise hazards in the work area and implement appropriate controls for these hazards.**
3. **Appropriate controls to reduce the risk may include actions such as damping materials to**

prevent workpieces from "ringing".

4. Use appropriate hearing protection.
5. Operate and maintain the tool as recommended in these instructions, to prevent an unnecessary increase in noise levels.
6. Take noise reduction measures, for example placing workpieces on sound damping supports.

Vibration hazards

1. The vibration emission during operation depends on the gripping force, the contact pressure force, the working direction, the adjustment of energy supply, the workpiece, the workpiece support. Conduct a risk assessment regarding vibration hazards and implement appropriate controls for these hazards.
2. Exposure to vibration can cause disabling damage to the nerves and blood supply of the hands and arms.
3. Wear warm clothing when working in cold conditions, keep your hands warm and dry.
4. If you experience numbness, tingling, pain or whitening of the skin in your fingers or hands, seek medical advice from a qualified occupational health professional regarding overall activities.
5. Operate and maintain the tool as recommended in these instructions, to prevent an unnecessary increase in vibration levels.
6. Hold the tool with a light, but safe, grip because the risk from vibration is generally greater when the grip force is higher.

Additional safety instructions for gas tools

1. Use the tool only with the Makita genuine gas container.
2. Be careful when using gas tools, as the tool can become hot, affecting grip and control.
3. Gas fastener driving tools shall be used in ventilated spaces.
4. In the case that liquid combustible gas comes into contact with human skin, injuries may occur.
5. Gas containers shall be marked according to the required transport regulation.
6. Handle gas containers carefully and check for damages. Damaged gas containers can explode and cause injury.
7. Read and follow the instructions supplied with the gas container.
8. Ensure combustible materials are not exposed to hot exhaust gases.
9. Do not use gas tools in explosive areas as the sparks generated in the tool may cause fire or explosion.
10. Gas containers should not be stored carelessly or at high temperature. Follow the local regulations and gas container's instructions for handling and disposal of gas containers and batteries or accumulators.
11. For gas tools, a small release of gas might be generated by regular operations.

Battery tool use and care

1. Recharge only with the charger specified by

the manufacturer. A charger that is suitable for one type of battery pack may create a risk of fire when used with another battery pack.

2. Use power tools only with specifically designated battery packs. Use of any other battery packs may create a risk of injury and fire.
3. When battery pack is not in use, keep it away from other metal objects, like paper clips, coins, keys, nails, screws or other small metal objects, that can make a connection from one terminal to another. Shorting the battery terminals together may cause burns or a fire.
4. Under abusive conditions, liquid may be ejected from the battery; avoid contact. If contact accidentally occurs, flush with water. If liquid contacts eyes, additionally seek medical help. Liquid ejected from the battery may cause irritation or burns.
5. Do not use a battery pack or tool that is damaged or modified. Damaged or modified batteries may exhibit unpredictable behaviour resulting in fire, explosion or risk of injury.
6. Do not expose a battery pack or tool to fire or excessive temperature. Exposure to fire or temperature above 130 °C may cause explosion.
7. Follow all charging instructions and do not charge the battery pack or tool outside the temperature range specified in the instructions. Charging improperly or at temperatures outside the specified range may damage the battery and increase the risk of fire.

Safety devices

1. Make sure all safety systems are in working order before operation. The tool must not operate if only the trigger is pulled or if only the contact arm is pressed against the wood. It must work only when both actions are performed. Test for possible faulty operation with fasteners unloaded and the pusher in fully pulled position.
2. Securing the trigger in the ON position is very dangerous. Never attempt to fasten the trigger.
3. Do not attempt to keep the contact element depressed with tape or wire. Death or serious injury may occur.
4. Always check contact element as instructed in this manual. Fasteners may be driven accidentally if the safety mechanism is not working correctly.

Service

1. Perform cleaning and maintenance right after finishing the job. Keep the tool in tip-top condition. Lubricate moving parts to prevent rusting and minimize friction-related wear. Wipe off all dust from the parts.
2. Ask Makita authorized service center for periodical inspection of the tool.
3. To maintain product SAFETY and RELIABILITY, maintenance and repairs should be performed by Makita Authorized Service Centers, always using Makita replacement parts.
4. Follow local regulations when disposing of the tool.

SAVE THESE INSTRUCTIONS.

⚠WARNING: DO NOT let comfort or familiarity with product (gained from repeated use) replace strict adherence to safety rules for the subject product. MISUSE or failure to follow the safety rules stated in this instruction manual may cause serious personal injury.

⚠CAUTION: Only use genuine Makita batteries. Use of non-genuine Makita batteries, or batteries that have been altered, may result in the battery bursting causing fires, personal injury and damage. It will also void the Makita warranty for the Makita tool and charger.

Important safety instructions for battery cartridge

1. Before using battery cartridge, read all instructions and cautionary markings on (1) battery charger, (2) battery, and (3) product using battery.
2. Do not disassemble battery cartridge.
3. If operating time has become excessively shorter, stop operating immediately. It may result in a risk of overheating, possible burns and even an explosion.
4. If electrolyte gets into your eyes, rinse them out with clear water and seek medical attention right away. It may result in loss of your eyesight.
5. Do not short the battery cartridge:
 - (1) Do not touch the terminals with any conductive material.
 - (2) Avoid storing battery cartridge in a container with other metal objects such as nails, coins, etc.
 - (3) Do not expose battery cartridge to water or rain.

A battery short can cause a large current flow, overheating, possible burns and even a breakdown.

6. Do not store the tool and battery cartridge in locations where the temperature may reach or exceed 50 °C (122 °F).
7. Do not incinerate the battery cartridge even if it is severely damaged or is completely worn out. The battery cartridge can explode in a fire.
8. Be careful not to drop or strike battery.
9. Do not use a damaged battery.
10. The contained lithium-ion batteries are subject to the Dangerous Goods Legislation requirements.

For commercial transports e.g. by third parties, forwarding agents, special requirement on packaging and labeling must be observed.

For preparation of the item being shipped, consulting an expert for hazardous material is required. Please also observe possibly more detailed national regulations.

Tape or mask off open contacts and pack up the battery in such a manner that it cannot move around in the packaging.

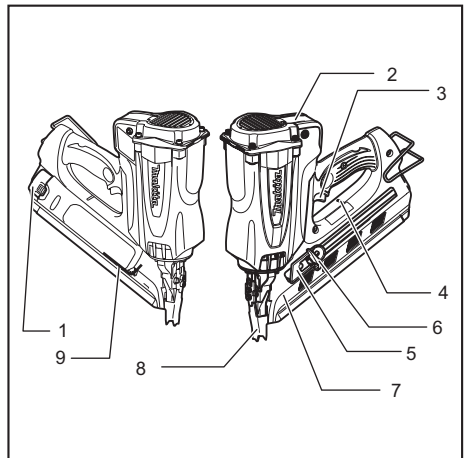
11. Follow your local regulations relating to disposal of battery.
12. Use the batteries only with the products specified by Makita. Installing the batteries to non-compliant products may result in a fire, excessive heat, explosion, or leak of electrolyte.

SAVE THESE INSTRUCTIONS.

Tips for maintaining maximum battery life

1. Charge the battery cartridge before completely discharged. Always stop tool operation and charge the battery cartridge when you notice less tool power.
2. Never recharge a fully charged battery cartridge. Overcharging shortens the battery service life.
3. Charge the battery cartridge with room temperature at 10 °C - 40 °C (50 °F - 104 °F). Let a hot battery cartridge cool down before charging it.

Overview of the nailer



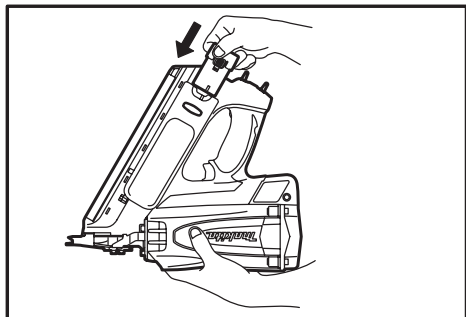
- ▶ 1. Battery cartridge 2. Fuel cover 3. Trigger
4. Indication lamp 5. Pusher lever 6. Pusher button
7. Magazine 8. Contact element 9. Hex wrench

FUNCTIONAL DESCRIPTION

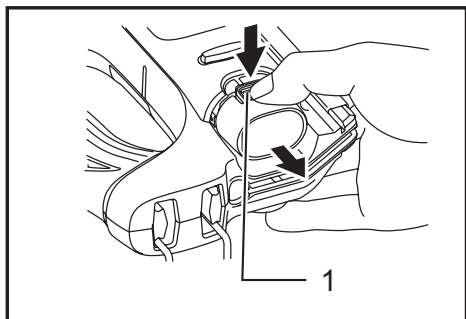
⚠CAUTION:

- Always be sure to remove the fuel cell, the battery cartridge and nails before adjusting or checking function on the tool.

Installing or removing battery cartridge



- Always switch off the tool before insertion or removal of the battery cartridge.
- To remove the battery cartridge, withdraw it from the tool while pressing the button on the side of the cartridge as shown in the figure.

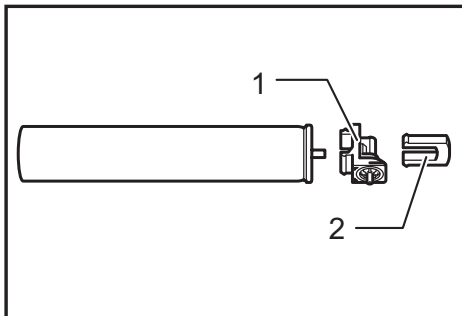


- 1. Button

- To insert the battery cartridge, hold it so that the battery cartridge front shape fits to that of the battery installment opening and slip it into place. Always insert it all the way until it locks in place with a little click. If not, it may accidentally fall out of the tool, causing injury to you or someone around you.
- Do not use force when inserting the battery cartridge. If the cartridge does not slide in easily, it is not being inserted correctly.

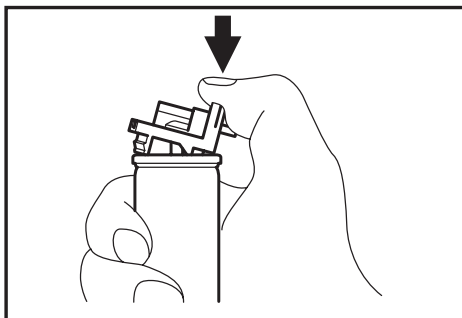
Fuel cell

Attaching the metering valve to the fuel cell

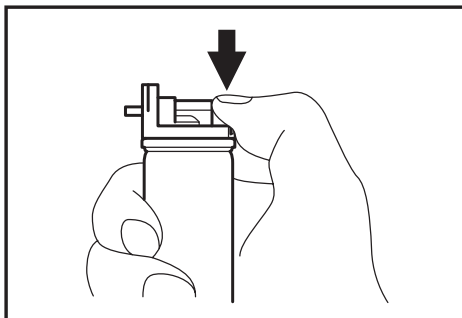


- 1. Metering valve 2. Cap

Detach the cap (in case the metering valve is provided with the cap).

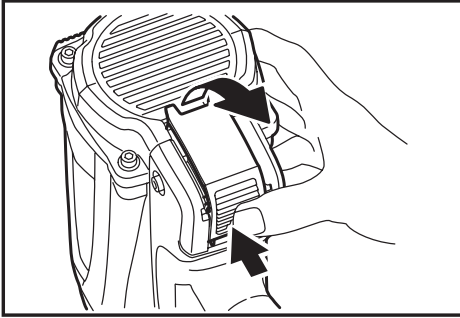


Push in the front edge.

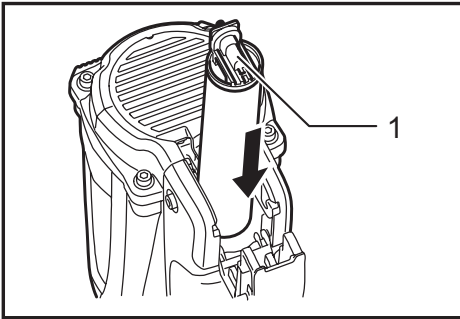


Push in the rear edge until it seats.

Inserting the fuel cell

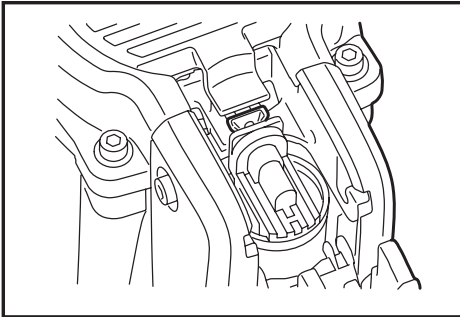


Push up and pull the fuel cover to open.

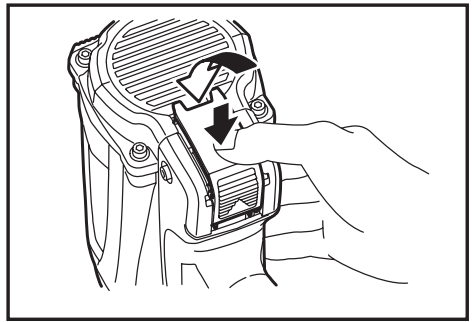


► 1. Jet nozzle

Insert the fuel cell directing the jet nozzle of the metering valve toward the adaptor.



Insert the jet nozzle into the small hole of the adaptor properly.

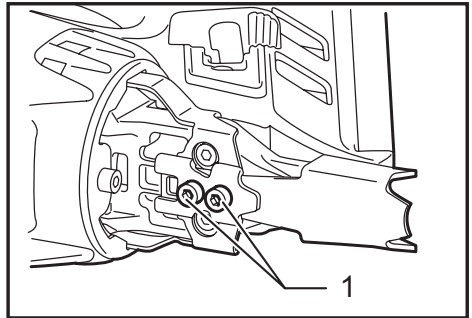


Put the fuel cover over the metering valve and push it down to latch.

Adjusting the nailing depth

⚠ CAUTION:

- Remove the fuel cell, the battery cartridge and nails before adjusting the depth of nailing.



► 1. Screws

With the hex wrench, loosen two screws and move the contact element.
Retighten screws firmly.

Indication lamp

Color of the indication lamp means the followings.

Blinking green: Normal status

Blinking red: Need to recharge the battery cartridge

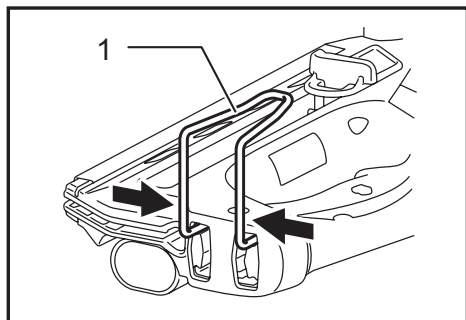
Lighting-up-red: Recharge the battery cartridge.

Nailing cannot be performed due to no remaining battery capacity.

Blinking orange: Thoroughly cleaning is recommended. Refer to the section "MAINTENANCE" to clean inside of the tool thoroughly. To reset the orange blinking of the indicator lamp, push the contact element for five seconds, and then push the contact element five times.

Blinking orange after blinking green and red alternately: Fault detection is running. Remove and reinsert the battery cartridge to reset. If fault detection is running again, it is malfunction condition. Ask your local Makita service center to repair it.

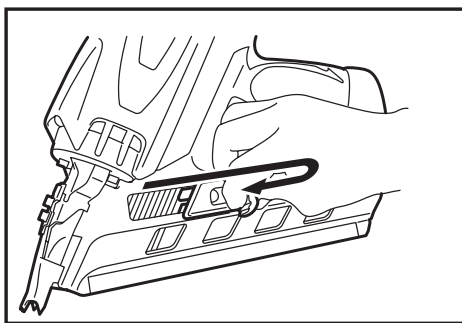
Installing the hook



► 1. Hook

The hook is convenient for hanging the tool temporarily. The hook can be set in two positions according to where the tool will be hung.

To change the hook position, contract it at its foot by pushing in from both sides and shift to another position.

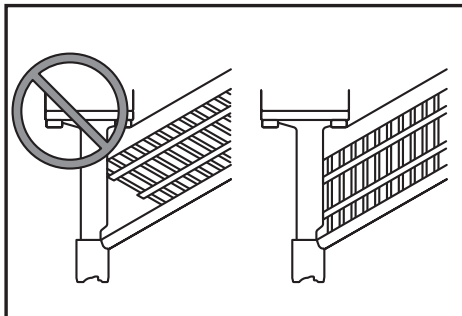


Pull the Pusher Lever to the rear of the Magazine and return it to the end of the strip gently.

ASSEMBLY

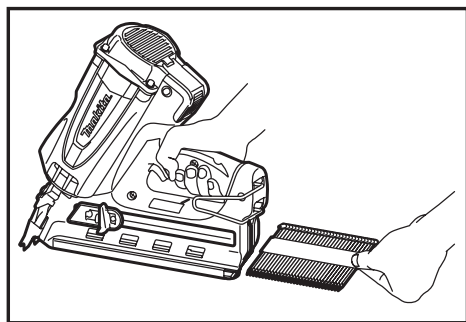
⚠ CAUTION:

- Always remove the fuel cell and the battery cartridge.



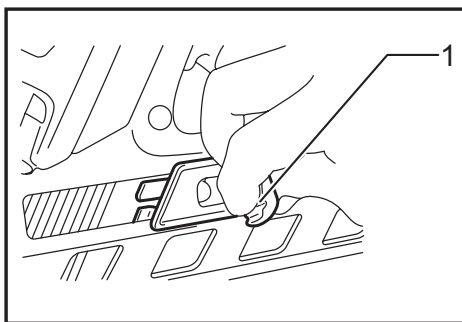
Load nails so that they get parallel to the driver guide.

Loading the nailer



Insert a strip of nails into the slit in the rear of the magazine.

Removing nails



► 1. Pusher button

Pull the pusher lever and push the pusher button to release the nail supporter, and then return the pusher lever to the top pushing the pusher button.

Slide the nails toward the rear of the magazine and remove them out.

OPERATION

⚠ WARNING:

- Do not touch around the exhaust vent. The surface will be so hot during or after an operation. Touching around the exhaust vent may cause burns or injuries.

⚠ CAUTION:

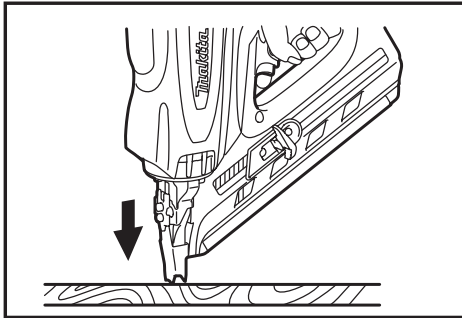
- Make sure all safety systems are in working order before operation.

Checking proper action before operation

Before operation, always check following points.

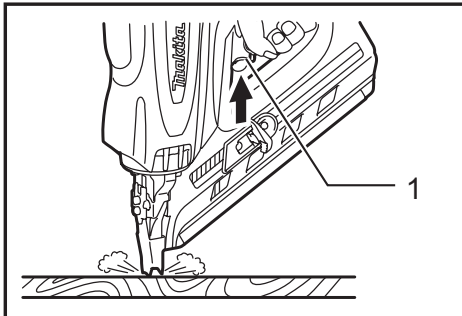
- Make sure that the tool does not operate only by installing the battery cartridge and fuel cell.
- Make sure that the tool does not operate only by pulling the trigger.
- Make sure that the tool does not operate only by placing the contact element against the workpiece without pulling the trigger.
- Make sure that the tool does not operate when pulling the trigger first and then placing the contact element against the workpiece.

Driving nails



1. To drive a nail, place the contact element against the workpiece.

The fan motor is activated, fuel gas is injected into combustion chamber and mixed with air by the fan.



- ▶ 1. Trigger

2. Hold the contact element pressing firmly and pull the trigger.

Fuel gas is combusted and the nail is driven.

3. Further driving can be initiated only after both the contact element and the trigger are released.

Anti dry fire mechanism

This is the mechanism that the tool prevents to be fired without nail.

Dry fire prevention automatically sets up when the rest of nails get to last 4-7 pieces.

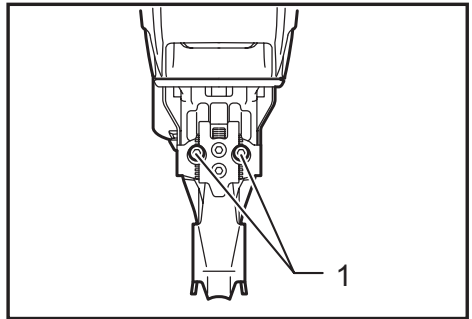
Jammed nailer

⚠ CAUTION:

- Always be sure to remove the fuel cell and the battery cartridge before clearing a jam.

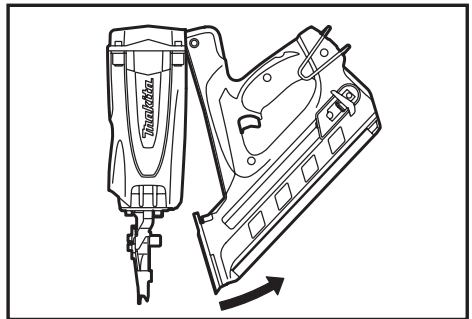
When the nailer gets jammed, do as follows.

1. Remove the fuel cell, the battery cartridge and nails.



- ▶ 1. Screws

2. Loosen the (2) magazine mounting screws with the hex wrench.



3. Pull the handle/magazine away from the nose of the tool and clear jam.
4. Realign the handle/magazine to the nose and tighten mounting screws.
5. Reload a strip of nails.

⚠ WARNING:

- **Make sure that the magazine mounting screws are tight and the magazine is tight to the nose.** Attempting to fire tool with a loose magazine will result in loss of nail control, damage to the tool or nail discharge toward operator.

MAINTENANCE

⚠ CAUTION:

- Always remove the fuel cell, the battery cartridge and nails before attempting to perform inspection or maintenance.
- Never use gasoline, benzine, thinner, alcohol or the like. Discoloration, deformation or cracks may result.

Maintenance after daily work

Always check the tool for its overall condition and loose screws before operation. Tighten as required. At the end of daily work, conduct an end-of-workday routine. These simple steps are based on maintaining the safety and performance of the tool.

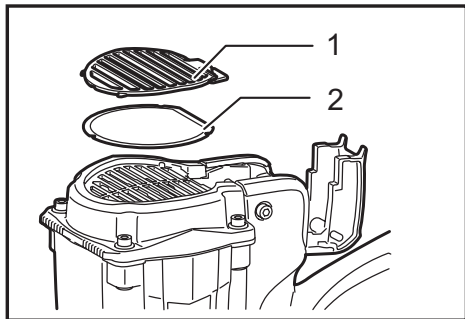
Before leaving the work site:

- Remove the battery cartridge and store in a tool-carrying case. Always use the tool-carrying case for transporting and storing the tool.
- Dispose of all empty cells where they will not be found by children, crushed, punctured or burned.

When you get home:

- Place the battery cartridge in its charger if it needs charging as indicated by the red indication lamp.
- Wipe the tool with a clean, soft cloth.
- Check the filter and clean if it is dusty.

Cleaning the air filter



► 1. Filter cover 2. Filter

Press slightly up the filter cover and remove it. And then simply lift out the filter. Tap the filter lightly to remove any dust. Soap and water restores the filter to an almost new condition.

To maintain product SAFETY and RELIABILITY, repairs, any other maintenance or adjustment should be performed by Makita Authorized Service Centers, always using Makita replacement parts.

Thoroughly cleaning

If dry fires occur frequently, which means the tool is needed to be cleansed thoroughly. See the accompanying cleaning guide for detail, and perform the cleaning. If you have any questions regarding to cleaning, please ask your local Makita Service Center.

OPTIONAL ACCESSORIES

⚠ CAUTION:

- These accessories or attachments are recommended for use with your Makita tool specified in this manual. The use of any other accessories or attachments might present a risk of injury to persons. Only use accessory or attachment for its stated purpose.

If you need any assistance for more details regarding these accessories, ask your local Makita Service Center.

- Nails
- Safety goggles
- Fuel cell
- Cleaning kit
- Makita genuine battery and charger

NOTE:

- Some items in the list may be included in the tool package as standard accessories. They may differ from country to country.

Makita Corporation

3-11-8, Sumiyoshi-cho,
Anjo, Aichi 446-8502 Japan

www.makita.com

884862G228 EN 20190112
