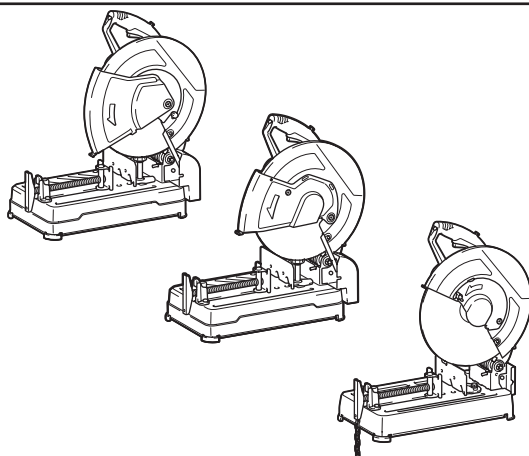




EN	Portable Cut-Off	INSTRUCTION MANUAL	6
FR	Scie à Coupe d'Onglet à Métaux (Disque)	MANUEL D'INSTRUCTIONS	11
DE	Trennschleifmaschine	BETRIEBSANLEITUNG	17
IT	Troncatrice portatile	ISTRUZIONI PER L'USO	23
NL	Draagbare afkortcirkelzaag	GEBRUIKSAANWIJZING	29
ES	Tronzadora de Metal	MANUAL DE INSTRUCCIONES	35
PT	Serra Rápida Portátil	MANUAL DE INSTRUÇÕES	41
DA	Transportabel afkorter	BRUGSANVISNING	47
EL	Φορητός κόφτης	ΕΓΧΕΙΡΙΔΙΟ ΟΔΗΓΙΩΝ	52
TR	Portatif Kesici	KULLANMA KILAVUZU	58

LW1400
LW1401



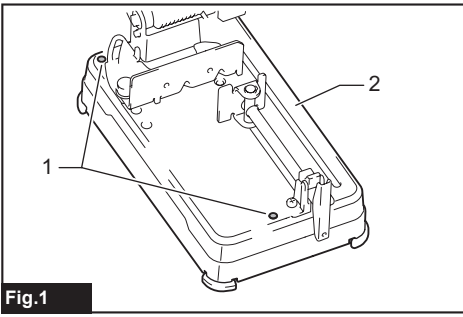


Fig.1

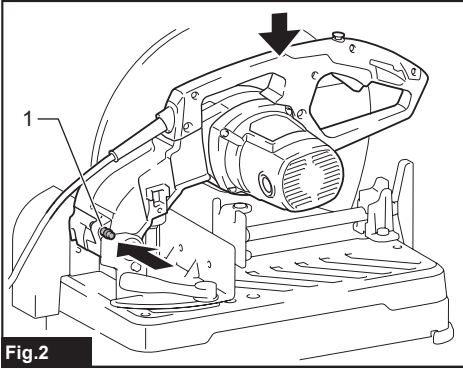


Fig.2

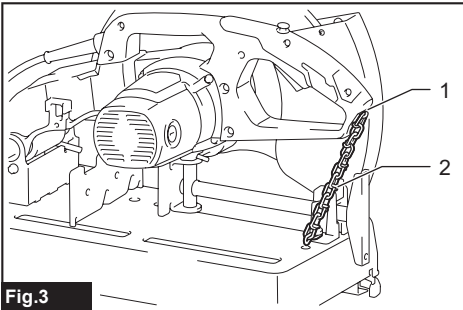


Fig.3

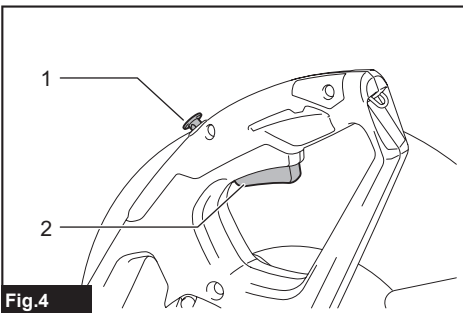


Fig.4

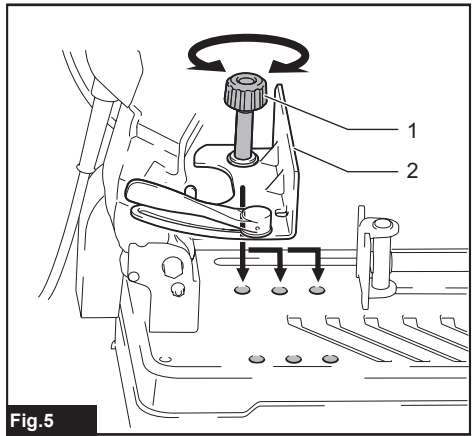


Fig.5

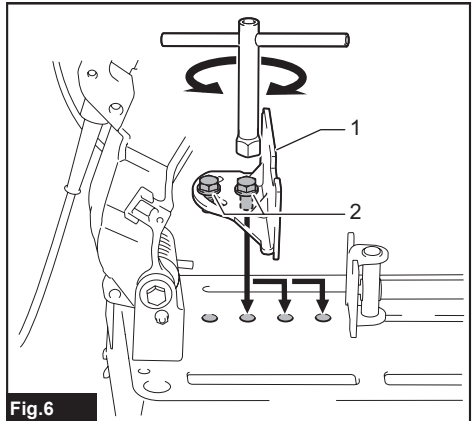


Fig.6

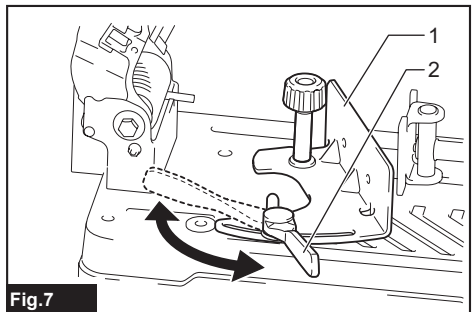


Fig.7

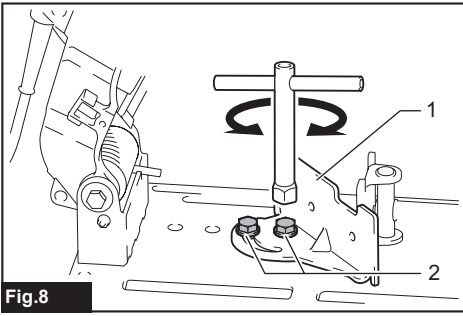


Fig.8

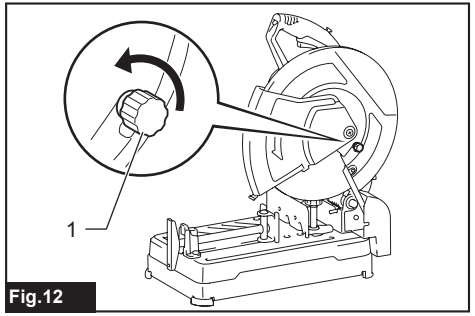


Fig.12

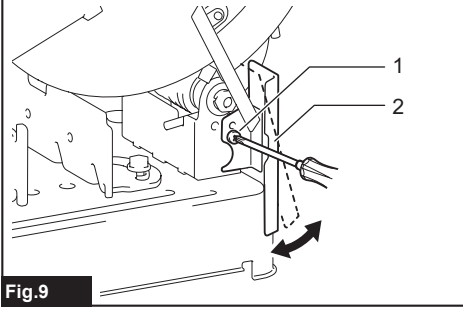


Fig.9

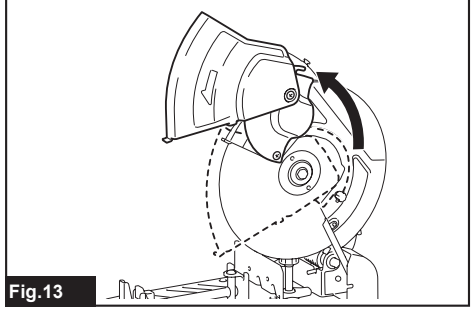


Fig.13

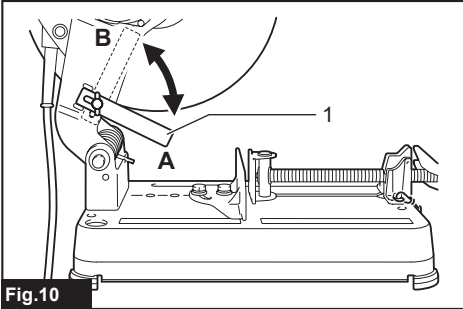


Fig.10

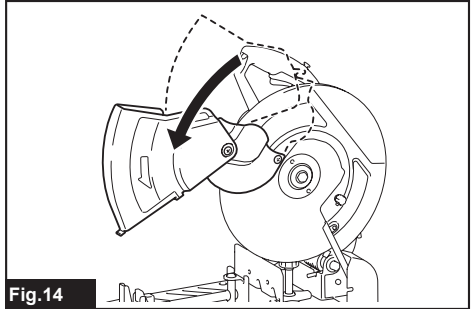


Fig.14

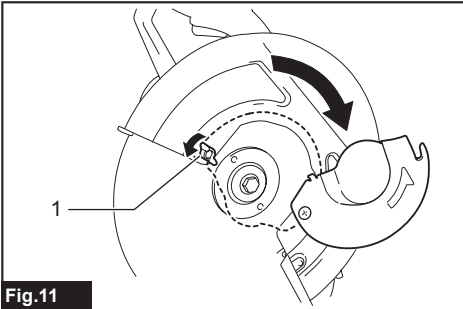


Fig.11

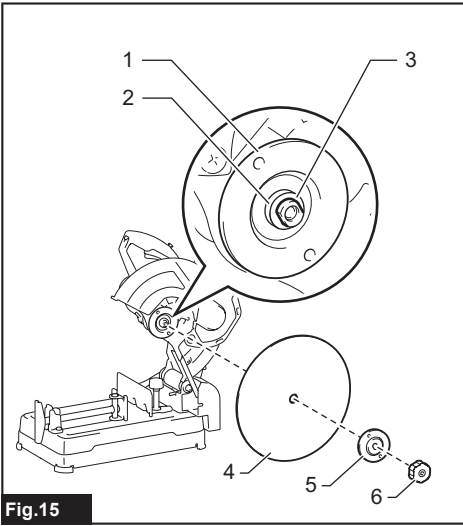


Fig. 15

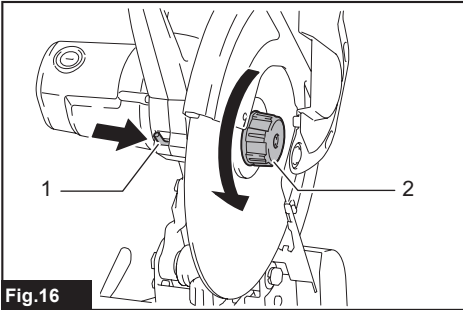


Fig. 16

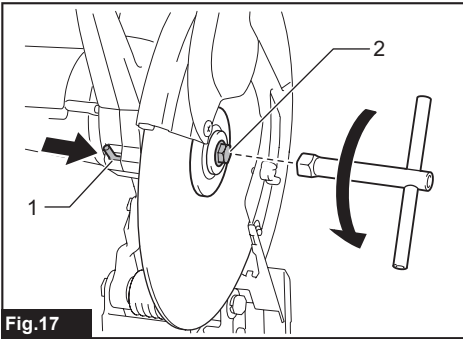


Fig. 17

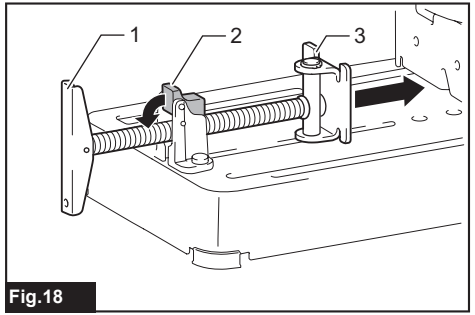


Fig. 18

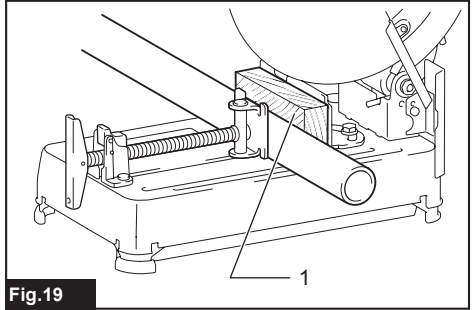


Fig. 19

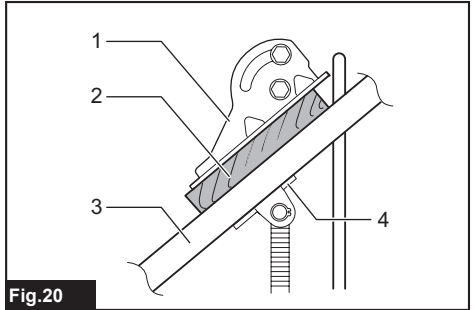


Fig. 20

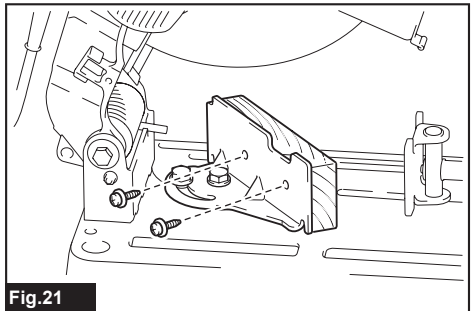


Fig. 21

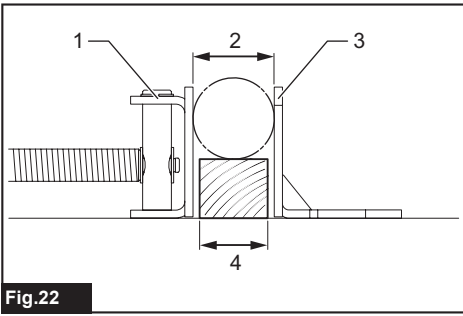


Fig.22

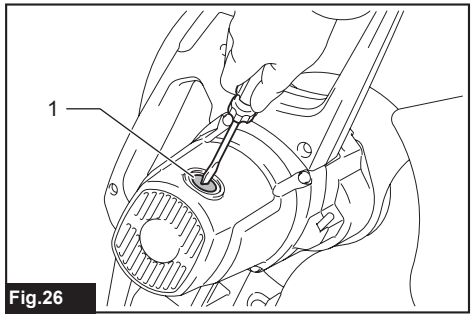


Fig.26

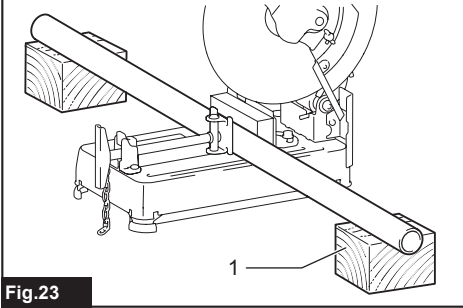


Fig.23

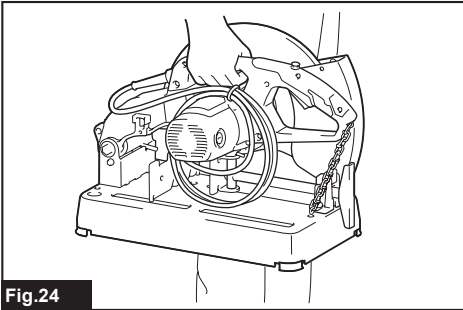


Fig.24

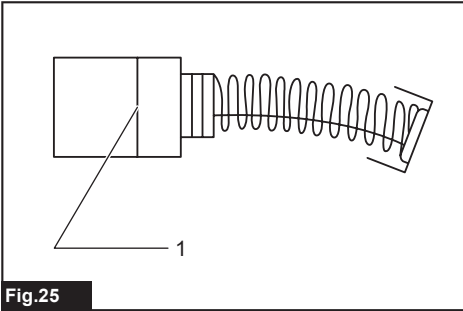


Fig.25

SPECIFICATIONS

Model:		LW1400	LW1401
Wheel diameter		355 mm	
Hole diameter		25.4 mm	
No load speed		3,800 min ⁻¹	
Dimensions (L x W x H)	With European type safety guard	530 mm x 295 mm x 640 mm	500 mm x 295 mm x 640 mm
	With safety guard other than European type	530 mm x 290 mm x 640 mm	500 mm x 290 mm x 620 mm
Net weight	With European type safety guard and under cover	18.7 kg	18.3 kg
Safety class		II	

- Due to our continuing program of research and development, the specifications herein are subject to change without notice.
- Specifications may differ from country to country.
- Weight according to EPTA-Procedure 01/2003
- The shape and weight vary depending on the specifications which differ country to country.

Intended use

The tool is intended for cutting in ferrous materials with appropriate abrasive cut-off wheel. Follow all laws and regulations regarding dust and work area health and safety in your country.

Power supply

The tool should be connected only to a power supply of the same voltage as indicated on the nameplate, and can only be operated on single-phase AC supply. They are double-insulated and can, therefore, also be used from sockets without earth wire.

For public low-voltage distribution systems of between 220 V and 250 V

Switching operations of electric apparatus cause voltage fluctuations. The operation of this device under unfavorable mains conditions can have adverse effects to the operation of other equipment. With a mains impedance equal or less than 0.18 Ohms it can be presumed that there will be no negative effects. The mains socket used for this device must be protected with a fuse or protective circuit breaker having slow tripping characteristics.

Noise

The typical A-weighted noise level determined according to EN61029:

Model LW1400

Sound pressure level (L_{pA}) : 102 dB(A)

Sound power level (L_{WA}) : 110 dB (A)

Uncertainty (K) : 3 dB(A)

Model LW1401

Sound pressure level (L_{pA}) : 102 dB(A)

Sound power level (L_{WA}) : 110 dB (A)

Uncertainty (K) : 3 dB(A)

⚠ WARNING: Wear ear protection.

Vibration

The vibration total value (tri-axial vector sum) determined according to EN61029:

Model LW1400

Vibration emission (a_h) : 2.5 m/s² or less

Uncertainty (K) : 1.5 m/s²

Model LW1401

Vibration emission (a_h) : 2.5 m/s² or less

Uncertainty (K) : 1.5 m/s²

NOTE: The declared vibration emission value has been measured in accordance with the standard test method and may be used for comparing one tool with another.

NOTE: The declared vibration emission value may also be used in a preliminary assessment of exposure.

⚠ WARNING: The vibration emission during actual use of the power tool can differ from the declared emission value depending on the ways in which the tool is used.

⚠ WARNING: Be sure to identify safety measures to protect the operator that are based on an estimation of exposure in the actual conditions of use (taking account of all parts of the operating cycle such as the times when the tool is switched off and when it is running idle in addition to the trigger time).

EC Declaration of Conformity

For European countries only

Makita declares that the following Machine(s):

Designation of Machine: Portable Cut-Off

Model No./ Type: LW1400, LW1401

Conforms to the following European Directives:

2006/42/EC

They are manufactured in accordance with the following standard or standardized documents: EN61029

The technical file in accordance with 2006/42/EC is available from:

Makita, Jan-Baptist Vinkstraat 2, 3070, Belgium
21.5.2015



Yasushi Fukaya

Director

Makita, Jan-Baptist Vinkstraat 2, 3070, Belgium

General power tool safety warnings

⚠ WARNING: Read all safety warnings and all instructions. Failure to follow the warnings and instructions may result in electric shock, fire and/or serious injury.

Save all warnings and instructions for future reference.

The term "power tool" in the warnings refers to your mains-operated (corded) power tool or battery-operated (cordless) power tool.

Additional safety rules for tool

1. Wear protective glasses. Also wear hearing protection during extended periods of operation.
2. Use only wheels recommended by the manufacturer which have a maximum operating speed at least as high as "No Load RPM" marked on the tool's nameplate. Use only fiberglass-reinforced cut-off wheels.
3. Check the wheel carefully for cracks or damage before operation. Replace cracked or damaged wheel immediately.
4. Secure the wheel carefully.
5. Use only flanges specified for this tool.
6. Be careful not to damage the spindle, flanges (especially the installing surface) or bolt, or the wheel itself might break.
7. Keep guards in place and in working order.
8. Hold the handle firmly.
9. Keep hands away from rotating parts.
10. Make sure the wheel is not contacting the work-piece before the switch is turned on.
11. Before using the tool on an actual workpiece, let it simply run for several minutes first. Watch for flutter or excessive vibration that might be caused by poor installation or a poorly balanced wheel.
12. Watch out for flying sparks when operating. They can cause injury or ignite combustible materials.
13. Remove material or debris from the area that might be ignited by sparks. Be sure that others are not in the path of the sparks. Keep a proper, charged fire extinguisher closely available.

14. Use the cutting edge of the wheel only. Never use side surface.
15. If the wheel stops during the operation, makes an odd noise or begins to vibrate, switch off the tool immediately.
16. Always switch off and wait for the wheel to come to a complete stop before removing, securing workpiece, working vise, changing work position, angle or the wheel itself.
17. Do not touch the workpiece immediately after operation; it is extremely hot and could burn your skin.
18. Store wheels in a dry location only.
19. Ensure that ventilation openings are kept clear when working in dusty conditions. If it should become necessary to clear dust, first disconnect the tool from the mains supply (use non metallic objects) and avoid damaging internal parts.

SAVE THESE INSTRUCTIONS.

INSTALLATION

⚠ WARNING: This tool produces spark when cutting a workpiece. Do not install this tool in the place in which flammable and/or explosive materials might be ignited by the spark from the tool. Also make sure that there is no such material near the tool before starting the operation.

Securing the base

This tool should be bolted with two bolts to a level and stable surface using the bolt holes provided in the tool's base. This will help prevent tipping over and possible personal injury.

► Fig.1: 1. Bolt holes 2. Base

FUNCTIONAL DESCRIPTION

⚠ CAUTION: Always be sure that the tool is switched off and unplugged before adjusting or checking function on the tool.

Unlocking/locking tool head

The tool head can be locked. Always lock the tool head when not in use or carrying.

For LW1400

To unlock, depress the tool head slightly and push the lock pin. To lock, return the lock pin while holding down the tool head.

► Fig.2: 1. Lock pin

For LW1401

Unhook the lock chain from the hook. Always hook the lock chain to the hook when not in use.

► Fig.3: 1. Hook 2. Lock chain

Switch action

⚠ WARNING: Before plugging in the tool, always check to see that the switch trigger actuates properly and returns to the "OFF" position when released.

► Fig.4: 1. Lock button / Lock-off button 2. Switch trigger

For tool with lock button

To start the tool, simply pull the switch trigger. Release the switch trigger to stop. For continuous operation, pull the switch trigger, push in the lock button and then release the switch trigger. To stop the tool from the locked position, pull the trigger fully, then release it.

⚠ CAUTION: Switch can be locked in "ON" position for ease of operator comfort during extended use. Apply caution when locking tool in "ON" position and maintain firm grasp on tool.

For tool with lock-off button

To prevent the switch trigger from being accidentally pulled, a lock-off button is provided. To start the tool, press the lock-off button and pull the switch trigger. Release the switch trigger to stop.

⚠ WARNING: NEVER defeat the lock-off button by taping down or some other means. A switch with a negated lock-off button may result in unintentional operation and serious personal injury.

⚠ WARNING: NEVER use the tool if it runs when you simply pull the switch trigger without pressing the lock-off button. A switch in need of repair may result in unintentional operation and serious personal injury. Return tool to a Makita service center for proper repairs BEFORE further usage.

NOTICE: Do not pull the switch trigger hard without pressing in the lock-off button. This can cause switch breakage.

Interval between vise and guide plate

⚠ CAUTION: After adjusting the interval between the vise and the guide plate, make sure that the guide plate is properly secured. Insufficient fixing may result in personal injury.

The following interval settings of the vise are available:

- 0 - 170 mm (original setting)
 - 35 - 205 mm
 - 70 - 240 mm
- If your work requires different setting, proceed as follows to change the spacing or interval.

For LW1400

Loosen the screw on the guide plate. Move the guide plate to the desired position then tighten the screw.

► Fig.5: 1. Screw 2. Guide plate

For LW1401

Remove the two hex bolts using a socket wrench. Move the guide plate to the desired position and secure it with the hex bolts.

► Fig.6: 1. Guide plate 2. Hex bolts

Cutting angle adjustment

⚠ CAUTION: After adjusting the angle of the guide plate, make sure that the guide plate is properly secured. Insufficient fixing may result in personal injury.

For LW1400

Turn the lever counterclockwise. Move the guide plate to the desired angle and fully tighten the lever.

► Fig.7: 1. Guide plate 2. Lever

For LW1401

NOTICE: When performing right miter cut, always set the guide plate at 0 - 170 mm position. Setting at the 35 - 205 mm or 70 - 240 mm position hinders the movement of stopper plate, which results in a failure cut.

Loosen the two hex bolts using a socket wrench. Turn the guide plate to the desired angle and secure it with the hex bolts. Be careful not to move the set angle while securing the hex bolts.

► Fig.8: 1. Guide plate 2. Hex bolts

NOTE: The scale on the guide plate is only a rough indication. For more accurate angle, use a protractor or triangle ruler. Keep the handle down so that the cut-off wheel extends into the base. At the same time, adjust the angle between the guide plate and the cut-off wheel with a protractor or triangle ruler.

Spark guard adjustment

For LW1401 only (country specific)

► Fig.9: 1. Screw 2. Spark guard

The spark guard is factory-installed with its lower edge contacting the base. Operating the tool in this position will cause many sparks to fly around. Loosen the screw and adjust the spark guard to a position at which minimum sparks will fly around.

Stopper plate

For LW1401 only (country specific)

► Fig.10: 1. Stopper plate

The stopper plate prevents the cut-off wheel from contacting the workbench or floor. When a new cut-off wheel is installed, set the stopper plate to position (A). When the cut-off wheel wears down to the extent that the lower portion of the workpiece is left uncut, set the stopper plate to position (B) to allow increased cutting capacity with a worn down wheel.

ASSEMBLY

CAUTION: Always be sure that the tool is switched off and unplugged before carrying out any work on the tool.

Opening center cap type safety guard

Country specific

For the tools equipped with center cap type safety guard, loosen the clamping screw first then raise the guard.

► Fig.11: 1. Clamping screw

Opening European type safety guard

Country specific

For the tools equipped with European type safety guard, loosen the clamping screw first then open the guard as shown.

► Fig.12: 1. Clamping screw

► Fig.13

► Fig.14

Removing or installing cut-off wheel

CAUTION: Be sure to tighten the toolless clamp or hex bolt securely. Insufficient tightening may result in severe injury. When tightening the hex bolt, use the socket wrench provided with the tool to assure proper tightening.

CAUTION: Always use only the proper inner and outer flanges which are provided with the tool.

CAUTION: Always lower the safety guard after replacing the wheel.

► Fig.15: 1. Inner flange 2. Ring 3. O-ring 4. Cut-off wheel 5. Outer flange 6. Toolless clamp / Hex bolt

For LW1400

Raise the safety guard. Turn the toolless clamp counterclockwise while holding down the shaft lock. Then remove the toolless clamp, outer flange and cut-off wheel. When removing the cut-off wheel, do not remove the inner flange as well as the ring and O-ring.

► Fig.16: 1. Shaft lock 2. Toolless clamp

To install the cut-off wheel, follow the removal procedures in reverse. Make sure to fit the hole of cut-off wheel to the ring and return the safety guard.

For LW1401

Raise the safety guard. Turn the hex bolt counterclockwise using a socket wrench while holding down the shaft lock. Then remove the hex bolt, outer flange and wheel.

► Fig.17: 1. Shaft lock 2. Hex bolt

To install the wheel, follow the removal procedures in reverse. Make sure to fit the hole of cut-off wheel to the ring and return the safety guard.

OPERATION

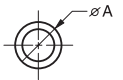
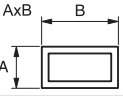
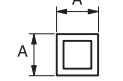

CAUTION: Proper handle pressure during cutting and maximum cutting efficiency can be determined by the amount of sparks that is produced while cutting. Do not force the cut by applying excessive pressure on the handle. Reduced cutting efficiency, premature wheel wear, as well as, possible damage to the tool, cut-off wheel or workpiece may result.

Hold the handle firmly. Switch on the tool and wait until the wheel attains full speed before lowering gently into the cut. When the wheel contacts the workpiece, gradually bear down on the handle to perform the cut. When the cut is completed, switch off the tool and **wait until the wheel has come to a complete stop** before returning the handle to the fully elevated position.

Cutting capacity

Maximum cutting capacity varies depending on the cutting angle and workpiece shape.

Max. cutting capacity with a brand-new cut-off wheel

Cutting angle / Workpiece shape	90°	45°
	127 mm	127 mm
	115 x 130 mm 102 x 194 mm 70 x 233 mm	115 x 103 mm
	119 x 119 mm	106 x 106 mm
	137 x 137 x 10 mm	100 x 100 x 10 mm

Securing workpiece

CAUTION: Always place the thread holder on the shaft threads when securing the workpiece. Failure to do so may result in insufficient securing of the workpiece. This could cause the workpiece to be ejected or cause a dangerous breakage of the wheel.

While the thread holder is lifted, the vise plate can be moved in and out quickly. To grip a workpiece, push the handle until the vise plate contacts the workpiece then return the thread holder. Turn the handle clockwise until the workpiece is securely retained.

► Fig.18: 1. Handle 2. Thread holder 3. Vise plate

When the cut-off wheel has worn down considerably, place a spacer block behind the workpiece as shown

in the figure. You can more efficiently utilize the worn wheel by using the mid point on the periphery of the wheel to cut the workpiece. Use a sturdy and non-flammable material for a spacer block.

► **Fig.19:** 1. Spacer block

When cutting workpieces over 85 mm wide at an angle, attach a straight piece of wood (spacer) over 190 mm long x 45 mm wide to the guide plate as shown in the figure. Attach this spacer with screws through the holes in the guide plate. Make sure that the cut-off wheel does not contact the spacer when the tool head is depressed.

► **Fig.20:** 1. Guide plate 2. Spacer block (over 190 mm long x45 mm wide) 3. Workpiece (over 85 mm wide) 4. Vise plate

► **Fig.21**

When the cut-off wheel has worn down, raise the cutting position by putting a spacer block which is slightly narrower than the workpiece as shown in the figure. This will help you to utilize the wheel economically.

► **Fig.22:** 1. Vise plate 2. Workpiece diameter 3. Guide plate 4. Spacer block width

Long workpieces must be supported by blocks on either side so that it will be level with the base top. Use non-flammable material for supporting blocks.

► **Fig.23:** 1. Supporting block

Carrying tool

Fold down the tool head and lock it. Hold the handle when carrying.

► **Fig.24**

MAINTENANCE

CAUTION: Always be sure that the tool is switched off and unplugged before attempting to perform inspection or maintenance.

NOTICE: Never use gasoline, benzine, thinner, alcohol or the like. Discoloration, deformation or cracks may result.

Replacing carbon brushes

► **Fig.25:** 1. Limit mark

Check the carbon brushes regularly. Replace them when they wear down to the limit mark. Keep the carbon brushes clean and free to slip in the holders. Both carbon brushes should be replaced at the same time. Use only identical carbon brushes.

1. Use a screwdriver to remove the brush holder caps.
2. Take out the worn carbon brushes, insert the new ones and secure the brush holder caps.

► **Fig.26:** 1. Brush holder cap

OPTIONAL ACCESSORIES

CAUTION: These accessories or attachments are recommended for use with your Makita tool specified in this manual. The use of any other accessories or attachments might present a risk of injury to persons. Only use accessory or attachment for its stated purpose.

If you need any assistance for more details regarding these accessories, ask your local Makita Service Center.

- Abrasive cut-off wheels
- Socket wrench (for LW1401 only)

NOTE: Some items in the list may be included in the tool package as standard accessories. They may differ from country to country.

SPÉCIFICATIONS

Modèle :		LW1400	LW1401
Diamètre de meule		355 mm	
Diamètre d'orifice		25,4 mm	
Vitesse à vide		3 800 min ⁻¹	
Dimensions (L x l x H)	Avec carter de sécurité de type européen	530 mm x 295 mm x 640 mm	500 mm x 295 mm x 640 mm
	Avec carter de sécurité de type non européen	530 mm x 290 mm x 640 mm	500 mm x 290 mm x 620 mm
Poids net	Avec carter de sécurité de type européen et couvercle inférieur	18,7 kg	18,3 kg
Catégorie de sécurité		II	

- Étant donné l'évolution constante de notre programme de recherche et de développement, les spécifications contenues dans ce manuel sont sujettes à modification sans préavis.
- Les spécifications peuvent varier suivant les pays.
- Poids selon la procédure EPTA 01/2003
- La forme et le poids varient avec les spécifications qui diffèrent d'un pays à l'autre.

Utilisations

L'outil est conçu pour couper les matériaux ferreux au moyen d'une meule à tronçonner abrasive appropriée. Veuillez respecter toutes les lois et réglementations en vigueur dans votre pays concernant les poussières et la zone de travail, en termes de santé et de sécurité.

Alimentation

L'outil ne devra être raccordé qu'à une alimentation de la même tension que celle qui figure sur la plaque signalétique, et il ne pourra fonctionner que sur un courant secteur monophasé. Réalisé avec une double isolation, il peut de ce fait être alimenté par une prise sans mise à la terre.

Pour les systèmes de distribution publics à basse tension, entre 220 V et 250 V

La mise sous tension et hors tension des appareils électriques entraîne des fluctuations de tension. L'utilisation de cet appareil dans des conditions d'alimentation électrique inadéquates peut avoir des effets néfastes sur le fonctionnement des autres équipements. Il ne devrait toutefois pas y avoir d'effets négatifs si l'impédance de l'alimentation est égale ou inférieure à 0,18 ohm. La prise de courant utilisée pour cet appareil doit être protégée par un fusible ou un disjoncteur de protection à déclenchement lent.

Bruit

Niveau de bruit pondéré A typique, déterminé selon EN61029 :

Modèle LW1400

Niveau de pression sonore (L_{pA}) : 102 dB (A)
 Niveau de puissance sonore (L_{WA}) : 110 dB (A)
 Incertitude (K) : 3 dB (A)

Modèle LW1401

Niveau de pression sonore (L_{pA}) : 102 dB (A)
 Niveau de puissance sonore (L_{WA}) : 110 dB (A)
 Incertitude (K) : 3 dB (A)

AVERTISSEMENT : Portez un serre-tête antibruit.

Vibrations

Valeur totale de vibrations (somme de vecteur triaxial) déterminée selon EN61029 :

Modèle LW1400

Émission de vibrations (a_h) : 2,5 m/s² ou moins
 Incertitude (K) : 1,5 m/s²

Modèle LW1401

Émission de vibrations (a_h) : 2,5 m/s² ou moins
 Incertitude (K) : 1,5 m/s²

NOTE : La valeur d'émission de vibrations déclarée a été mesurée conformément à la méthode de test standard et peut être utilisée pour comparer les outils entre eux.

NOTE : La valeur d'émission de vibrations déclarée peut aussi être utilisée pour l'évaluation préliminaire de l'exposition.

AVERTISSEMENT : L'émission de vibrations lors de l'usage réel de l'outil électrique peut être différente de la valeur d'émission déclarée, suivant la façon dont l'outil est utilisé.

AVERTISSEMENT : Les mesures de sécurité à prendre pour protéger l'utilisateur doivent être basées sur une estimation de l'exposition dans des conditions réelles d'utilisation (en tenant compte de toutes les composantes du cycle d'utilisation, comme par exemple le moment de sa mise hors tension, lorsqu'il tourne à vide et le moment de son déclenchement).

Déclaration de conformité CE

Pour les pays européens uniquement

Makita déclare que la ou les machines suivantes :

Désignation de la machine : Scie à Coupe d'Onglet à Métaux (Disque)

N° de modèle/Type : LW1400, LW1401

sont conformes aux Directives européennes suivantes : 2006/42/CE

et sont fabriquées conformément aux normes ou aux documents normalisés suivants : EN60745

La documentation technique conforme à la norme

2006/42/EC est disponible auprès de :

Makita, Jan-Baptist Vinkstraat 2, 3070, Belgique

21.5.2015



Yasushi Fukaya

Directeur

Makita, Jan-Baptist Vinkstraat 2, 3070, Belgique

Consignes de sécurité générales pour outils électriques

⚠ AVERTISSEMENT : Lisez toutes les consignes de sécurité et toutes les instructions. Il y a risque d'électrocution, d'incendie et/ou de graves blessures si les mises en garde et les instructions ne sont pas respectées.

Conservez toutes les mises en garde et instructions pour référence ultérieure.

Le terme « outil électrique » dans les avertissements fait référence à l'outil électrique alimenté par le secteur (avec cordon d'alimentation) ou à l'outil électrique fonctionnant sur batterie (sans cordon d'alimentation).

Consignes de sécurité supplémentaires pour l'outil

1. Portez des lunettes de protection. Portez également un serre-tête antibruit pour les travaux s'étendant sur une longue durée.
2. Utilisez uniquement les meules recommandées par le fabricant et dont la vitesse maximale d'utilisation est au moins aussi élevée que la vitesse indiquée pour « No Load RPM » (tr/min à vide) sur la plaque signalétique de l'outil. Utilisez uniquement des meules à tronçonner renforcées de fibre de verre.
3. Avant l'utilisation, vérifiez le bon état de la meule : elle ne doit être ni fendue ni ébréchée. Remplacez immédiatement les meules fendues ou ébréchées.
4. Fixez soigneusement la meule.
5. N'utilisez que les flasques spécifiés pour cet outil.
6. Prenez garde de ne pas endommager l'axe, les flasques (tout particulièrement la surface d'installation) ou le boulon sous peine de casser la meule.

7. Laissez les carters de protection en place et en état de fonctionnement.
8. Tenez la poignée fermement.
9. N'approchez pas les mains des pièces en mouvement.
10. Assurez-vous que la meule n'entre pas en contact avec la pièce avant de mettre l'outil sous tension.
11. Avant d'utiliser l'outil sur une pièce, laissez-le d'abord simplement tourner à vide pendant quelques minutes. Soyez attentif à tout sautellement ou toute vibration excessive pouvant indiquer que la meule n'est pas bien posée ou qu'elle est mal équilibrée.
12. Prenez garde aux étincelles qui jaillissent au cours de l'utilisation. Elles peuvent provoquer des blessures ou enflammer les matières combustibles.
13. Retirez de la zone tous les matériaux ou débris qui pourraient s'enflammer au contact des étincelles. Veillez à ce que personne ne se trouve dans la trajectoire des étincelles. Gardez un extincteur en parfait état de fonctionnement à portée de main.
14. Utilisez uniquement l'arête tranchante de la meule. Ne vous servez jamais de son flanc.
15. Si la meule s'arrête en cours d'utilisation, émet un bruit étrange ou se met à vibrer, éteignez immédiatement l'outil.
16. Éteignez toujours l'outil et attendez que la meule s'arrête complètement avant de retirer et fixer la pièce, manipuler l'étau, changer de position ou d'angle de travail ou remplacer la meule.
17. Ne touchez pas la pièce immédiatement après utilisation, car elle sera extrêmement chaude et pourrait vous brûler.
18. Rangez les meules dans un endroit sec uniquement.
19. Assurez-vous que les ouvertures d'aération sont dégagées lorsque vous travaillez dans des conditions poussiéreuses. S'il devient nécessaire de nettoyer la poussière, débranchez d'abord l'outil de l'alimentation secteur (utilisez des objets non métalliques) et évitez d'endommager les pièces internes.

CONSERVEZ CES INSTRUCTIONS.

INSTALLATION

⚠ AVERTISSEMENT : Cet outil produit des étincelles lors de la découpe d'une pièce. N'installez pas cet outil dans un endroit où des matériaux inflammables et/ou explosifs peuvent s'enflammer au contact des étincelles produites par l'outil. Assurez-vous également qu'aucun de ces matériaux ne se trouve à proximité de l'outil avant de commencer à l'utiliser.

Fixation de la base

Cet outil doit être fixé avec deux boulons sur une surface plane et stable en utilisant les orifices pour boulon prévus dans la base de l'outil. Cela contribuera à prévenir les risques de basculement de l'outil et de blessure.

► **Fig.1:** 1. Orifices pour boulon 2. Base

DESCRIPTION DU FONCTIONNEMENT

⚠ ATTENTION : Assurez-vous toujours que l'outil est hors tension et débranché avant de l'ajuster ou de vérifier son fonctionnement.

Déverrouillage/verrouillage de la tête de l'outil

La tête de l'outil peut être verrouillée. Verrouillez toujours la tête de l'outil quand vous n'utilisez pas l'outil ou quand vous le transportez.

Pour le LW1400

Pour la déverrouiller, enfoncez légèrement la tête de l'outil et poussez sur la goupille de sécurité. Pour la verrouiller, ramenez la goupille de sécurité tout en maintenant enfoncée la tête de l'outil.

► **Fig.2:** 1. Goupille de sécurité

Pour le LW1401

Décrochez la chaîne de blocage du crochet. Accrochez toujours la chaîne de blocage au crochet lorsque vous n'utilisez pas l'outil.

► **Fig.3:** 1. Crochet 2. Chaîne de blocage

Fonctionnement de la gâchette

⚠ AVERTISSEMENT : Avant de brancher l'outil, assurez-vous toujours que la gâchette fonctionne correctement et revient en position d'arrêt une fois relâchée.

► **Fig.4:** 1. Bouton de verrouillage/Bouton de sécurité 2. Gâchette

Pour les outils pourvus d'un bouton de verrouillage

Il suffit d'enclencher la gâchette pour démarrer l'outil. Pour arrêter l'outil, relâchez la gâchette. Pour un fonctionnement continu, enclenchez la gâchette et poussez le bouton de verrouillage, puis relâchez la gâchette. Pour arrêter l'outil en position verrouillée, enclenchez à fond la gâchette puis relâchez-la.

⚠ ATTENTION : Vous pouvez verrouiller l'interrupteur sur la position « Marche » pour plus de confort en cas d'utilisation prolongée. Soyez prudent lorsque vous verrouillez l'outil sur la position « Marche », et gardez une prise ferme sur l'outil.

Pour les outils pourvus d'un bouton de sécurité

Un bouton de sécurité a été prévu pour éviter l'activation accidentelle de la gâchette. Pour démarrer l'outil, enfoncez le bouton de sécurité puis enclenchez la gâchette. Pour arrêter l'outil, relâchez la gâchette.

⚠ AVERTISSEMENT : NE bloquez JAMAIS le bouton de sécurité avec du ruban ou de toute autre manière. Une gâchette dont le bouton de sécurité est bloqué comporte un risque d'activation accidentelle pouvant entraîner de graves blessures.

⚠ AVERTISSEMENT : N'utilisez JAMAIS l'outil s'il se met en marche lorsque vous enclenchez simplement la gâchette sans avoir enfoncé le bouton de sécurité. Une gâchette devant être réparée comporte un risque d'activation accidentelle pouvant entraîner de graves blessures. Confiez l'outil à un centre d'entretien Makita pour le faire réparer AVANT de poursuivre l'utilisation.

REMARQUE : Évitez d'appuyer sur la gâchette avec force lorsque le bouton de sécurité n'est pas enfoncé. Vous risqueriez de briser la gâchette.

Intervalle entre l'étau et la plaque de guidage

⚠ ATTENTION : Après avoir ajusté l'intervalle entre l'étau et la plaque de guidage, assurez-vous que cette dernière est bien fixée. Une fixation insuffisante peut entraîner des blessures.

Les réglages suivants d'intervalle de l'étau sont disponibles :

- 0 - 170 mm (réglage initial)
- 35 - 205 mm
- 70 - 240 mm

Si un réglage différent est requis pour l'exécution de la tâche, procédez comme suit pour modifier l'espacement ou l'intervalle.

Pour le LW1400

Desserrez la vis sur la plaque de guidage. Amenez la plaque de guidage sur la position souhaitée, puis serrez la vis.

► **Fig.5:** 1. Vis 2. Plaque de guidage

Pour le LW1401

Déposez les deux boulons à six pans creux avec une clé à douille. Amenez la plaque de guidage sur la position souhaitée et fixez-la en place avec les boulons à six pans creux.

► **Fig.6:** 1. Plaque de guidage 2. Boulons à six pans creux

Réglage de l'angle de coupe

⚠ ATTENTION : Après avoir ajusté l'angle de la plaque de guidage, assurez-vous que cette dernière est bien fixée. Une fixation insuffisante peut entraîner des blessures.

Pour le LW1400

Tournez le levier dans le sens inverse des aiguilles d'une montre. Amenez la plaque de guidage sur l'angle souhaité, puis serrez complètement le levier.

► **Fig.7:** 1. Plaque de guidage 2. Levier

Pour le LW1401

REMARQUE : Lorsque vous effectuez une coupe d'onglet droite, réglez toujours la plaque de guidage sur la position 0 - 170 mm. Le réglage sur la position 35 - 205 mm ou 70 - 240 mm entrave le mouvement de la plaque de butée, ce qui provoque une coupe erronée.

Desserrez les deux boulons à six pans creux avec une clé à douille. Tournez la plaque de guidage sur l'angle souhaité et fixez-la en place avec les boulons à six pans creux. Prenez garde de ne pas déplacer l'angle établi pendant que vous serrez les boulons à six pans creux.

► Fig.8: 1. Plaque de guidage 2. Boulons à six pans creux

NOTE : L'échelle sur la plaque de guidage n'est qu'une indication approximative. Pour un angle plus précis, utilisez un rapporteur ou une équerre. Abaissez la poignée de sorte que la meule à tronçonner touche la base. Simultanément, ajustez l'angle entre la plaque de guidage et la meule à tronçonner avec un rapporteur ou une équerre.

Réglage du pare-étincelles

Pour le LW1401 uniquement (selon le pays)

► Fig.9: 1. Vis 2. Pare-étincelles

En usine, le pare-étincelles est installé avec le bord inférieur en contact avec la base. L'outil projettera beaucoup d'étincelles s'il est utilisé avec le pare-étincelles dans cette position. Desserrez la vis et ajustez le pare-étincelles sur la position qui réduira le plus possible la projection d'étincelles.

Plaque de butée

Pour le LW1401 uniquement (selon le pays)

► Fig.10: 1. Plaque de butée

La plaque de butée empêche la meule à tronçonner d'entrer en contact avec l'établi ou le sol. Lors de la mise en place d'une meule à tronçonner neuve, réglez la plaque de butée sur la position (A). Lorsque la meule à tronçonner s'use à tel point que la portion inférieure de la pièce n'est pas coupée, réglez la plaque de butée sur la position (B) pour augmenter la capacité de coupe avec une meule usée.

ASSEMBLAGE

ATTENTION : Avant d'effectuer toute intervention sur l'outil, assurez-vous toujours qu'il est hors tension et débranché.

Ouvrir le carter de sécurité à bouchon central

Selon le pays

Pour les outils pourvus d'un carter de sécurité à bouchon central, desserrez d'abord la vis de serrage, puis soulevez le carter.

► Fig.11: 1. Vis de serrage

Ouvrir le carter de sécurité de type européen

Selon le pays

Pour les outils pourvus d'un carter de sécurité de type européen, desserrez d'abord la vis de serrage, puis ouvrez le carter comme illustré.

► Fig.12: 1. Vis de serrage

► Fig.13

► Fig.14

Dépose ou pose de la meule à tronçonner

ATTENTION : Veillez à serrer solidement l'attache sans outil ou le boulon à six pans creux.

Un serrage insuffisant peut entraîner de graves blessures. Lorsque vous serrez le boulon à six pans creux, utilisez la clé à douille accompagnant l'outil pour garantir un serrage adéquat.

ATTENTION : Utilisez toujours uniquement les flasques intérieur et extérieur adéquats fournis avec l'outil.

ATTENTION : Abaissez toujours le carter de sécurité après avoir remplacé la meule.

► Fig.15: 1. Flasque intérieur 2. Anneau 3. Joint torique 4. Meule à tronçonner 5. Flasque extérieur 6. Attache sans outil/Boulon à six pans creux

Pour le LW1400

Soulevez le carter de sécurité. Tournez l'attache sans outil dans le sens inverse des aiguilles d'une montre tout en maintenant enfoncé le blocage de l'arbre.

Déposez ensuite l'attache sans outil, le flasque extérieur et la meule à tronçonner. Lors de la dépose de la meule à tronçonner, ne retirez pas le flasque intérieur, ni l'anneau et le joint torique.

► Fig.16: 1. Blocage de l'arbre 2. Attache sans outil

Pour installer la meule à tronçonner, suivez la procédure de dépose en sens inverse. Veillez à faire correspondre l'orifice de la meule à tronçonner avec l'anneau et remettez le carter de sécurité en place.

Pour le LW1401

Soulevez le carter de sécurité. Tournez le boulon à six pans creux dans le sens inverse des aiguilles d'une montre avec une clé à douille tout en maintenant enfoncé le blocage de l'arbre. Retirez ensuite le boulon à six pans creux, le flasque extérieur et la meule.

► Fig.17: 1. Blocage de l'arbre 2. Boulon à six pans creux

Pour installer la meule, suivez la procédure de dépose en sens inverse. Veillez à faire correspondre l'orifice de la meule à tronçonner avec l'anneau et remettez le carter de sécurité en place.

UTILISATION

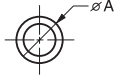
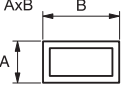
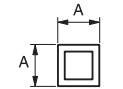

⚠ ATTENTION : Observez la quantité d'étincelles produites pendant la coupe pour savoir qu'elle est la pression optimale à exercer sur la poignée et comment obtenir l'efficacité de coupe maximale. Ne forcez pas la coupe en appliquant une pression excessive sur la poignée. Cela réduira l'efficacité de la coupe, provoquera l'usure prématurée de la meule, et peut abîmer l'outil, la meule à tronçonner ou la pièce.

Tenez la poignée fermement. Mettez l'outil sous tension et attendez que la meule atteigne sa pleine vitesse avant de l'abaisser délicatement dans la ligne de coupe. Lorsque la meule entre en contact avec la pièce, pesez graduellement sur la poignée pour effectuer la coupe. Lorsque la coupe est terminée, mettez l'outil hors tension et attendez l'arrêt complet de la meule avant de ramener la poignée en position complètement relevée.

Capacité de coupe

La capacité de coupe maximale dépend de l'angle de coupe et de la forme de la pièce.

Capacité de coupe max. avec une meule à tronçonner toute neuve

Angle de coupe/ Forme de la pièce	90°	45°
	127 mm	127 mm
	115 x 130 mm 102 x 194 mm 70 x 233 mm	115 x 103 mm
	119 x 119 mm	106 x 106 mm
	137 x 137 x 10 mm	100 x 100 x 10 mm

Fixation de la pièce

⚠ ATTENTION : Placez toujours le porte-filetage sur les filetages de l'arbre lorsque vous fixez la pièce en place. Autrement la pièce risquera de n'être pas fixée assez solidement. Cela peut causer l'éjection de la pièce ou un bris dangereux de la meule.

Pendant que le porte-filetage est soulevé, le talon de l'étau peut être déplacé d'avant en arrière rapidement. Pour serrer une pièce, poussez la poignée jusqu'à ce que le talon de l'étau entre en contact avec la pièce, puis remettez en place le porte-filetage. Tournez la poignée dans le sens des aiguilles d'une montre jusqu'à ce que la pièce soit solidement retenue.

► Fig.18: 1. Poignée 2. Porte-filetage 3. Talon de l'étau

Lorsque la meule à tronçonner est considérablement usée, placez un bloc espaceur derrière la pièce comme illustré sur la figure. Vous pourrez ainsi utiliser de manière plus efficace la meule usée, en coupant la pièce à l'aide de la partie de la périphérie située à l'aplomb de l'axe de la meule. Le bloc espaceur doit être fait d'un matériau robuste et non inflammable.

► Fig.19: 1. Bloc espaceur

Pour couper en biseau des pièces de plus de 85 mm de large, fixez une pièce de bois droite (entretoise) d'une longueur supérieure à 190 mm et d'une largeur de 45 mm sur la plaque de guidage, comme illustré sur la figure. Fixez cette entretoise à l'aide de vis insérées dans les orifices de la plaque de guidage. Assurez-vous que la meule à tronçonner n'entre pas en contact avec l'entretoise lorsque la tête de l'outil est enfoncée.

► Fig.20: 1. Plaque de guidage 2. Bloc espaceur (plus de 190 mm de long x 45 mm de large) 3. Pièce (plus de 85 mm de large) 4. Talon de l'étau

► Fig.21

Lorsque la meule à tronçonner est usée, soulevez la position de la coupe en plaçant un bloc espaceur légèrement plus étroit que la pièce comme illustré sur la figure. Cela vous permettra de réduire l'usure de la meule.

► Fig.22: 1. Talon de l'étau 2. Diamètre de la pièce 3. Plaque de guidage 4. Largeur du bloc espaceur

Les longues pièces doivent être soutenues par des blocs placés de chaque côté, de sorte que la pièce soit de niveau par rapport au-dessus de la base. Les blocs de soutien doivent être faits d'un matériau non inflammable.

► Fig.23: 1. Bloc de soutien

Transport de l'outil

Repliez la tête de l'outil et verrouillez-la. Tenez la poignée lors du transport.

► Fig.24

ENTRETIEN

⚠ ATTENTION : Assurez-vous toujours que l'outil est hors tension et débranché avant d'y effectuer tout travail d'inspection ou d'entretien.

REMARQUE : N'utilisez jamais d'essence, benzène, diluant, alcool ou autre produit similaire. Cela risquerait de provoquer la décoloration, la déformation ou la fissuration de l'outil.

Remplacement d'un balai en carbone

► Fig.25: 1. Repère d'usure

Vérifiez régulièrement les balais en carbone. Remplacez-les lorsqu'ils sont usés jusqu'au repère d'usure. Maintenez les balais en carbone propres et en état de glisser aisément dans les porte-charbons. Les deux balais en carbone doivent être remplacés en même temps. N'utilisez que des balais en carbone identiques.

1. Retirez les bouchons de porte-charbon à l'aide d'un tournevis.
2. Enlevez les balais en carbone usés, insérez les neufs et revissez solidement les bouchons de porte-charbon.

► Fig.26: 1. Bouchon de porte-charbon

ACCESSOIRES EN OPTION

⚠ ATTENTION : Ces accessoires ou pièces complémentaires sont recommandés pour l'utilisation avec l'outil Makita spécifié dans ce mode d'emploi. L'utilisation de tout autre accessoire ou pièce complémentaire peut comporter un risque de blessure. N'utilisez les accessoires ou pièces complémentaires qu'aux fins auxquelles ils ont été conçus.

Pour obtenir plus de détails sur ces accessoires, contactez votre centre d'entretien local Makita.

- Meules à tronçonner abrasives
- Clé à douille (pour le LW1401 uniquement)

NOTE : Il se peut que certains éléments de la liste soient compris dans l'emballage de l'outil en tant qu'accessoires standard. Ils peuvent varier d'un pays à l'autre.

TECHNISCHE DATEN

Modell:		LW1400	LW1401
Scheibendurchmesser		355 mm	
Lochdurchmesser		25,4 mm	
Leerlaufdrehzahl		3.800 min ⁻¹	
Abmessungen (L x B x H)	Mit Schutzhaube für europäische Vorschriften	530 mm x 295 mm x 640 mm	500 mm x 295 mm x 640 mm
	Mit Schutzhaube für andere Vorschriften außer den europäischen	530 mm x 290 mm x 640 mm	500 mm x 290 mm x 620 mm
Nettogewicht	Mit Schutzhaube für europäische Vorschriften und Unterabdeckung	18,7 kg	18,3 kg
Sicherheitsklasse		□/II	

- Wir behalten uns vor, Änderungen der technischen Daten im Zuge der Entwicklung und des technischen Fortschritts ohne vorherige Ankündigung vorzunehmen.
- Die technischen Daten können von Land zu Land unterschiedlich sein.
- Gewicht nach EPTA-Verfahren 01/2003
- Form und Gewicht hängen von den technischen Daten ab, die je nach Land unterschiedlich sind.

Vorgesehene Verwendung

Das Werkzeug ist zum Schneiden von Eisenmaterial mit einer geeigneten Trennschleifscheibe vorgesehen. Befolgen Sie alle Gesetze und Bestimmungen Ihres Landes bezüglich Staub, Gesundheit am Arbeitsplatz und Sicherheit.

Stromversorgung

Das Werkzeug sollte nur an eine Stromquelle angeschlossen werden, deren Spannung mit der Angabe auf dem Typenschild übereinstimmt, und kann nur mit Einphasen-Wechselstrom betrieben werden. Diese sind doppelt schutzisoliert und können daher auch an Steckdosen ohne Erdleiter verwendet werden.

Für öffentliche Niederspannungs-Verteilungssysteme mit einer Spannung zwischen 220 V und 250 V

Schaltvorgänge von Elektrogeräten verursachen Spannungsschwankungen. Der Betrieb dieses Gerätes unter ungünstigen Netzstrombedingungen kann sich nachteilig auf den Betrieb anderer Geräte auswirken. Bei einer Netzstromimpedanz von 0,18 Ohm oder weniger ist anzunehmen, dass keine negativen Effekte auftreten. Die für dieses Gerät verwendete Netzsteckdose muss durch eine Sicherung oder einen Schutzschalter mit trägen Auslösungseigenschaften geschützt sein.

Geräusch

Typischer A-bewerteter Geräuschpegel ermittelt gemäß EN61029:

Modell LW1400

Schalldruckpegel (L_{pA}): 102 dB (A)

Schalleistungspegel (L_{WA}): 110 dB (A)

Messunsicherheit (K): 3 dB (A)

Modell LW1401

Schalldruckpegel (L_{pA}): 102 dB (A)

Schalleistungspegel (L_{WA}): 110 dB (A)

Messunsicherheit (K): 3 dB (A)

⚠️ WARNUNG: Einen Gehörschutz tragen.

Schwingungen

Schwingungsgesamtwert (Drei-Achsen-Vektorsumme) ermittelt gemäß EN61029:

Modell LW1400

Schwingungsemission (a_h): 2,5 m/s² oder weniger

Messunsicherheit (K): 1,5 m/s²

Modell LW1401

Schwingungsemission (a_h): 2,5 m/s² oder weniger

Messunsicherheit (K): 1,5 m/s²

HINWEIS: Der angegebene Schwingungsemissionswert wurde im Einklang mit der Standardprüfmethode gemessen und kann für den Vergleich zwischen Werkzeugen herangezogen werden.

HINWEIS: Der angegebene Schwingungsemissionswert kann auch für eine Vorbewertung des Gefährdungsgrads verwendet werden.

⚠️ WARNUNG: Die Schwingungsemission während der tatsächlichen Benutzung des Elektrowerkzeugs kann je nach der Benutzungsweise des Werkzeugs vom angegebenen Emissionswert abweichen.

⚠️ WARNUNG: Identifizieren Sie Sicherheitsmaßnahmen zum Schutz des Benutzers anhand einer Schätzung des Gefährdungsgrads unter den tatsächlichen Benutzungsbedingungen (unter Berücksichtigung aller Phasen des Arbeitszyklus, wie z. B. Ausschalt- und Leerlaufzeiten des Werkzeugs zusätzlich zur Betriebszeit).

EG-Konformitätserklärung

Nur für europäische Länder

Makita erklärt, dass die folgende(n) Maschine(n):
Bezeichnung der Maschine: Trennschleifmaschine
Modell-Nr./Typ: LW1400, LW1401

Entspricht den folgenden europäischen Richtlinien:
2006/42/EG

Sie werden gemäß den folgenden Standards oder standardisierten Dokumenten hergestellt: EN60745

Die technische Akte in Übereinstimmung mit 2006/42/EC ist erhältlich von:

Makita, Jan-Baptist Vinkstraat 2, 3070, Belgien
21.5.2015



Yasushi Fukaya

Direktor

Makita, Jan-Baptist Vinkstraat 2, 3070, Belgien

Allgemeine Sicherheitswarnungen für Elektrowerkzeuge

⚠️ WARNUNG: Lesen Sie alle Sicherheitswarnungen und Anweisungen durch. Eine Missachtung der unten aufgeführten Warnungen und Anweisungen kann zu einem elektrischen Schlag, Brand und/oder schweren Verletzungen führen.

Bewahren Sie alle Warnungen und Anweisungen für spätere Bezugnahme auf.

Der Ausdruck „Elektrowerkzeug“ in den Warnhinweisen bezieht sich auf Ihr mit Netzstrom (mit Kabel) oder Akku (ohne Kabel) betriebenes Elektrowerkzeug.

Zusätzliche Sicherheitsregeln für das Werkzeug

1. **Schutzbrille tragen.** Tragen Sie bei längeren Betriebszeitspannen auch einen Gehörschutz.
2. **Verwenden Sie nur vom Hersteller empfohlene Schleifscheiben, deren maximale Betriebsdrehzahl mindestens so hoch wie die auf dem Typenschild des Werkzeugs angegebene Leerlaufdrehzahl („No Load RPM“) ist.** Verwenden Sie nur glasfaserverstärkte Trennschleifscheiben.
3. **Überprüfen Sie die Trennscheibe vor Inbetriebnahme des Werkzeugs sorgfältig auf**

- Risse oder Beschädigung. Wechseln Sie rissige oder beschädigte Scheiben unverzüglich aus.
4. **Befestigen Sie die Scheibe sorgfältig.**
5. **Verwenden Sie nur für dieses Werkzeug freigegebene Flansche.**
6. **Achten Sie darauf, dass Spindel, Flansch (insbesondere die Montagefläche) oder die Schraube nicht beschädigt werden.** Eine Beschädigung dieser Teile kann u. U. zum Bruch der Scheibe führen.
7. **Schutzhauben müssen angebracht und in gutem Betriebszustand sein.**
8. **Halten Sie den Handgriff mit festem Griff.**
9. **Halten Sie die Hände von rotierenden Teilen fern.**
10. **Vergewissern Sie sich vor dem Einschalten des Werkzeugs, dass die Schleifscheibe nicht das Werkstück berührt.**
11. **Lassen Sie das Werkzeug vor der eigentlichen Bearbeitung eines Werkstücks erst mehrere Minuten lang laufen.** Achten Sie auf Flattern oder übermäßige Vibrationen, die durch schlechte Installation oder eine schlecht ausgewuchtete Trennscheibe verursacht werden.
12. **Nehmen Sie sich während des Betriebs vor Funkenflug in Acht.** Funken können Verletzungen verursachen oder brennbares Material entzünden.
13. **Säubern Sie den Bereich von Material oder Abfällen, die durch Funken entzündet werden können.** Achten Sie darauf, dass sich keine Personen in der Funkenflugbahn befinden. Halten Sie einen vorschriftsmäßig gefüllten Feuerlöscher griffbereit.
14. **Verwenden Sie nur die Schnittkante der Trennscheibe.** Verwenden Sie niemals die Seitenfläche.
15. **Falls die Trennscheibe während des Betriebs stockt, ein merkwürdiges Geräusch erzeugt oder zu vibrieren beginnt, schalten Sie das Werkzeug sofort aus.**
16. **Schalten Sie stets das Werkzeug aus, und warten Sie, bis die Trennscheibe zum vollständigen Stillstand gekommen ist, bevor Sie das Werkstück entfernen oder befestigen, den Schraubstock betätigen, die Arbeitsposition oder den Winkel ändern, oder die Trennscheibe auswechseln.**
17. **Berühren Sie das Werkstück nicht unmittelbar nach der Trennarbeit, da es sehr heiß ist und Hautverbrennungen verursachen kann.**
18. **Lagern Sie Trennscheiben nur an einem trockenen Ort.**
19. **Achten Sie beim Arbeiten unter staubigen Bedingungen darauf, dass die Ventilationsöffnungen frei gehalten werden.** Sollte die Beseitigung von Staub notwendig sein, trennen Sie das Werkzeug zuerst vom Stromnetz (nichtmetallische Gegenstände verwenden), und vermeiden Sie eine Beschädigung der Innenteile.

DIESE ANWEISUNGEN AUFBEWAHREN.

INSTALLATION

⚠️ WARNUNG: Dieses Werkzeug erzeugt Funken beim Schneiden eines Werkstücks. Installieren Sie dieses Werkzeug nicht an Orten, an denen brennbare und/oder explosive Materialien durch die vom Werkzeug erzeugten Funken entzündet werden könnten. Vergewissern Sie sich vor Arbeitsbeginn auch, dass sich keine derartigen Materialien in der Nähe des Werkzeugs befinden.

Sichern der Grundplatte

Dieses Werkzeug sollte unter Verwendung der Schraubenbohrungen in der Grundplatte mit zwei Schrauben auf einer ebenen und stabilen Oberfläche befestigt werden. Dies trägt zur Vermeidung von Umkippen und möglichen Verletzungen bei.

► **Abb.1:** 1. Schraubenbohrungen 2. Grundplatte

FUNKTIONSBESCHREIBUNG

⚠️ VORSICHT: Vergewissern Sie sich vor jeder Einstellung oder Funktionsprüfung des Werkzeugs stets, dass es ausgeschaltet und vom Stromnetz getrennt ist.

Entriegeln/Verriegeln des Werkzeugkopfes

Der Werkzeugkopf kann verriegelt werden. Verriegeln Sie stets den Werkzeugkopf, wenn Sie das Werkzeug nicht benutzen oder tragen.

Für LW1400

Zum Entriegeln den Werkzeugkopf leicht niederdrücken, und den Arretierstift hineindrücken. Zum Verriegeln den Arretierstift zurückstellen, während der Werkzeugkopf niedergedrückt gehalten wird.

► **Abb.2:** 1. Arretierstift

Für LW1401

Hängen Sie die Sicherungskette aus dem Haken aus. Hängen Sie die Sicherungskette stets in den Haken ein, wenn Sie das Werkzeug nicht benutzen.

► **Abb.3:** 1. Haken 2. Sicherungskette

Schalterfunktion

⚠️ WARNUNG: Vergewissern Sie sich vor dem Anschließen des Werkzeugs an das Stromnetz stets, dass der Ein-Aus-Schalter ordnungsgemäß funktioniert und beim Loslassen in die AUS-Stellung zurückkehrt.

► **Abb.4:** 1. Arretierknopf / Einschaltsperrknopf
2. Ein-Aus-Schalter

Für Werkzeug mit Arretierknopf

Zum Einschalten des Werkzeugs einfach den Ein-Aus-Schalter drücken. Zum Ausschalten den

Ein-Aus-Schalter loslassen. Für Dauerbetrieb den Ein-Aus-Schalter betätigen, den Arretierknopf hineindrücken, und dann den Ein-Aus-Schalter loslassen. Zum Ausrasten der Sperre den Ein-Aus-Schalter bis zum Anschlag hineindrücken und dann loslassen.

⚠️ VORSICHT: Der Schalter kann zur Arbeitserleichterung bei längerem Einsatz in der EIN-Stellung verriegelt werden. Lassen Sie Vorsicht walten, wenn Sie den Schalter in der EIN-Stellung verriegeln, und halten Sie das Werkzeug mit festem Griff.

Für Werkzeug mit Einschaltsperrknopf

Um versehentliche Betätigung des Ein-Aus-Schalters zu verhüten, ist das Werkzeug mit einem Einschaltsperrknopf ausgestattet. Betätigen Sie zum Starten des Werkzeugs den Ein-Aus-Schalter bei gedrücktem Einschaltsperrknopf. Zum Ausschalten den Ein-Aus-Schalter loslassen.

⚠️ WARNUNG: Versuchen Sie NIEMALS, den Einschaltsperrknopf mit Klebeband oder anderen Mitteln unwirksam zu machen. Ein Schalter mit unwirksamem Einschaltsperrknopf kann zu ungewolltem Betrieb und daraus resultierenden schweren Personenschäden führen.

⚠️ WARNUNG: Betreiben Sie das Werkzeug NIEMALS, wenn es durch einfache Betätigung des Ein-Aus-Schalters eingeschaltet werden kann, ohne den Einschaltsperrknopf zu drücken. Ein reparaturbedürftiger Schalter kann zu ungewolltem Betrieb und daraus resultierenden schweren Personenschäden führen. Lassen Sie das Werkzeug von einer Makita-Kundendienststelle ordnungsgemäß reparieren, BEVOR Sie es weiter benutzen.

ANMERKUNG: Betätigen Sie den Ein-Aus-Schalter nicht gewaltsam, ohne den Einschaltsperrknopf hineinzudrücken. Dies kann zu Beschädigung des Schalters führen.

Spannbereich zwischen Schraubstock und Führungsplatte

⚠️ VORSICHT: Vergewissern Sie sich nach der Einstellung des Spannbereichs zwischen Schraubstock und Führungsplatte, dass die Führungsplatte ordnungsgemäß gesichert ist. Unzureichende Sicherung kann zu Personenschäden führen.

Die folgenden Spannbereichseinstellungen des Schraubstocks sind verfügbar:

- 0 - 170 mm (Original-Einstellung)
- 35 - 205 mm
- 70 - 240 mm

Falls Ihre Arbeit eine andere Einstellung erfordert, ändern Sie den Abstand oder den Spannbereich nach dem folgenden Verfahren.

Für LW1400

Lösen Sie die Schrauben an der Führungsplatte. Verschieben Sie die Führungsplatte zur gewünschten Position, und ziehen Sie dann die Schraube fest.

- **Abb.5:** 1. Schraube 2. Führungsplatte

Für LW1401

Entfernen Sie die zwei Sechskantschrauben mit einem Steckschlüssel. Verschieben Sie die Führungsplatte zur gewünschten Position, und sichern Sie sie mit den Sechskantschrauben.

- **Abb.6:** 1. Führungsplatte 2. Sechskantschrauben

Einstellung des Schnittwinkels

⚠ VORSICHT: Vergewissern Sie sich nach der Einstellung des Winkels der Führungsplatte, dass die Führungsplatte ordnungsgemäß gesichert ist. Unzureichende Sicherung kann zu Personenschäden führen.

Für LW1400

Drehen Sie den Hebel entgegen dem Uhrzeigersinn. Verschieben Sie die Führungsplatte auf den gewünschten Winkel, und ziehen Sie den Hebel vollständig fest.

- **Abb.7:** 1. Führungsplatte 2. Hebel

Für LW1401

ANMERKUNG: Wenn Sie einen rechten Gehrungsschnitt durchführen, stellen Sie die Führungsplatte immer auf die Position 0 - 170 mm. Eine Einstellung auf die Position 35 - 205 mm oder 70 - 240 mm behindert die Bewegung der Anschlagplatte, was zu einem Fehlschnitt führt.

Lösen Sie die zwei Sechskantschrauben mit einem Steckschlüssel. Drehen Sie die Führungsplatte auf den gewünschten Winkel, und sichern Sie sie mit den Sechskantschrauben. Achten Sie darauf, dass der eingestellte Winkel beim Anziehen der Sechskantschrauben nicht verstellt wird.

- **Abb.8:** 1. Führungsplatte 2. Sechskantschrauben

HINWEIS: Die Skala auf der Führungsplatte ist nur eine Grobanzeige. Um den Winkel genauer einzustellen, verwenden Sie einen Winkelmesser oder ein Geodreieck. Halten Sie den Handgriff nieder, so dass die Trennscheibe in die Grundplatte hineinragt. Stellen Sie gleichzeitig den Winkel zwischen der Führungsplatte und der Trennscheibe mit einem Winkelmesser oder Geodreieck ein.

Einstellung des Funkenflug-Leitblechs

Nur für LW1401 (länderspezifisch)

- **Abb.9:** 1. Schraube 2. Funkenflug-Leitblech

Das Funkenflug-Leitblech wurde werksseitig so installiert, dass seine Unterkante die Grundplatte berührt. Der Betrieb des Werkzeugs in dieser Position verursacht starken Funkenflug. Lösen Sie die Schraube, und stellen Sie das Funkenflug-Leitblech auf eine Position ein, bei welcher der Funkenflug auf ein Minimum begrenzt wird.

Anschlagplatte

Nur für LW1401 (länderspezifisch)

- **Abb.10:** 1. Anschlagplatte

Die Anschlagplatte verhindert, dass die Trennscheibe die Werkbank oder die Aufstandsfläche berührt. Stellen Sie die Anschlagplatte nach der Montage einer neuen Trennscheibe auf die Position (A) ein. Wenn die Trennscheibe so weit abgenutzt ist, dass das Werkstück nicht vollständig durchgeschnitten wird, stellen Sie die Anschlagplatte auf die Position (B) ein, um mit der abgenutzten Trennscheibe eine größere Schnitttiefe zu erreichen.

MONTAGE

⚠ VORSICHT: Vergewissern Sie sich vor der Ausführung von Arbeiten am Werkzeug stets, dass es ausgeschaltet und vom Stromnetz getrennt ist.

Öffnen der Schutzhaube mit Mittelkappe

Länderspezifisch

Bei Werkzeugen mit einer Schutzhaube mit Mittelkappe lösen Sie zuerst die Klemmschraube, bevor Sie die Schutzhaube anheben.

- **Abb.11:** 1. Klemmschraube

Öffnen der Schutzhaube für europäische Vorschriften

Länderspezifisch

Bei Werkzeugen mit einer Schutzhaube für europäische Vorschriften lösen Sie zuerst die Klemmschraube, bevor Sie die Schutzhaube wie gezeigt öffnen.

- **Abb.12:** 1. Klemmschraube

- **Abb.13**

- **Abb.14**

Demontage und Montage der Trennscheibe

⚠ VORSICHT: Ziehen Sie die Schnellklemme oder Sechskantschraube unbedingt sicher fest. Unzureichende Sicherung kann zu schweren Verletzungen führen. Verwenden Sie den mit dem Werkzeug gelieferten Steckschlüssel zum Anziehen der Sechskantschraube, um ordnungsgemäße Festziehen zu gewährleisten.

⚠ VORSICHT: Verwenden Sie immer nur den mit dem Werkzeug gelieferten korrekten Innen- und Außenflansch.

⚠ VORSICHT: Schließen Sie stets die Schutzhaube nach dem Auswechseln der Trennscheibe.

- **Abb.15:** 1. Innenflansch 2. Ring 3. O-Ring
4. Trennscheibe 5. Außenflansch
6. Schnellklemme / Sechskantschraube

Für LW1400

Heben Sie die Schutzhaube an. Drehen Sie die Schnellklemme entgegen dem Uhrzeigersinn, während Sie die Spindelarretierung niederhalten. Entfernen Sie dann die Schnellklemme, den Außenflansch und die Trennscheibe. Wenn Sie die Trennscheibe entfernen, lassen Sie den Innenflansch sowie den Ring und O-Ring angebracht.

► **Abb.16:** 1. Spindelarretierung 2. Schnellklemme

Zur Montage der Trennscheibe ist das Demontageverfahren umgekehrt anzuwenden. Achten Sie darauf, dass die Bohrung der Trennscheibe auf dem Ring sitzt, und dass die Schutzhaube zurückgestellt ist.

Für LW1401

Heben Sie die Schutzhaube an. Drehen Sie die Sechskantschraube mit einem Steckschlüssel entgegen dem Uhrzeigersinn, während Sie die Spindelarretierung niederhalten. Entfernen Sie dann die Sechskantschraube, den Außenflansch und die Trennscheibe.

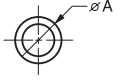
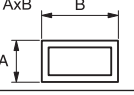
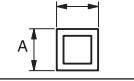

► **Abb.17:** 1. Spindelarretierung
2. Sechskantschraube

Zur Montage der Trennscheibe ist das Demontageverfahren umgekehrt anzuwenden. Achten Sie darauf, dass die Bohrung der Trennscheibe auf dem Ring sitzt, und dass die Schutzhaube zurückgestellt ist.

Schnittleistung

Die maximale Schnittleistung hängt vom Schnittwinkel und der Werkstückform ab.

Max. Schnittleistung mit einer brandneuen Trennscheibe

Schnittwinkel / Werkstückform	90°	45°
	127 mm	127 mm
	115 x 130 mm 102 x 194 mm 70 x 233 mm	115 x 103 mm
	119 x 119 mm	106 x 106 mm
	137 x 137 x 10 mm	100 x 100 x 10 mm

BETRIEB

⚠ VORSICHT: Der richtige Vorschubdruck und der maximale Schnittwirkungsgrad können anhand der beim Schneiden erzeugten Funkenmenge ermittelt werden. Führen Sie den Schnitt nicht gewaltsam aus, indem Sie übermäßigen Druck auf den Handgriff ausüben. Übermäßige Druckausübung bewirkt nicht nur eine Reduzierung des Schnittwirkungsgrads und vorzeitigen Verschleiß der Trennscheibe, sondern kann auch zu einer Beschädigung von Werkzeug, Trennscheibe oder Werkstück führen.

Halten Sie den Handgriff mit festem Griff. Schalten Sie das Werkzeug ein, und warten Sie, bis es seine volle Drehzahl erreicht hat, bevor Sie die Trennscheibe auf das Werkstück absenken. Wenn die Trennscheibe das Werkstück berührt, drücken Sie den Handgriff allmählich nieder, um den Schnitt auszuführen. Sobald der Schnitt beendet ist, schalten Sie das Werkzeug aus, und warten Sie, bis die Trennscheibe zu einem vollständigen Stillstand gekommen ist, bevor Sie den Handgriff wieder ganz anheben.

Sicherung von Werkstücken

⚠ VORSICHT: Setzen Sie den Gewindehalter stets auf das Wellengewinde, wenn Sie das Werkstück sichern. Anderenfalls wird das Werkstück möglicherweise nicht ausreichend gesichert. Dies kann zu Herausschleudern des Werkstücks oder gefährlichem Bruch der Trennscheibe führen.

Bei angehobenem Gewindehalter kann die Schraubstockbacke schnell hinein und heraus bewegt werden. Zum Einspannen eines Werkstücks schieben Sie den Handgriff vor, bis die Schraubstockbacke das Werkstück berührt, und stellen Sie dann den Gewindehalter zurück. Drehen Sie den Handgriff im Uhrzeigersinn, bis das Werkstück einwandfrei gesichert ist.

► **Abb.18:** 1. Handgriff 2. Gewindehalter
3. Schraubstockbacke

Bei fortgeschrittener Abnutzung der Trennscheibe kann ein Distanzblock hinter das Werkstück gelegt werden, wie in der Abbildung gezeigt. Um die abgenutzte Trennscheibe wirksamer einzusetzen, sollte der Mittelpunkt des Trennscheibenumfangs zum Schneiden des Werkstücks verwendet werden. Verwenden Sie ein robustes und nicht brennbares Material für den Distanzblock.

► **Abb.19:** 1. Distanzblock

Wenn Sie Werkstücke von mehr als 85 mm Breite in einem Winkel schneiden, bringen Sie ein gerades Stück Holz (Distanzstück) von mehr als 190 mm Länge x 45 mm Breite an der Führungsplatte an, wie in der Abbildung gezeigt. Befestigen Sie dieses Distanzstück mit Schrauben in den Löchern der Führungsplatte. Vergewissern Sie sich, dass die Trennscheibe nicht das Distanzstück berührt, wenn der Werkzeugkopf niedergedrückt wird.

- **Abb.20:** 1. Führungsplatte 2. Distanzblock (über 190 mm lang x45 mm breit) 3. Werkstück (über 85 mm breit) 4. Schraubstockbacke

► **Abb.21**

Wenn die Trennscheibe abgenutzt ist, heben Sie die Schnittposition an, indem Sie einen Distanzblock, der geringfügig schmaler als das Werkstück ist, so anbringen, wie in der Abbildung gezeigt. Dies trägt zu einer rationalen Nutzung der Trennscheibe bei.

- **Abb.22:** 1. Schraubstockbacke
2. Werkstückdurchmesser
3. Führungsplatte 4. Distanzblockbreite

Lange Werkstücke müssen auf beiden Seiten mit Blöcken abgestützt werden, welche die gleiche Höhe wie die Oberseite der Grundplatte haben. Verwenden Sie ein nicht brennbares Material für die Stützblöcke.

- **Abb.23:** 1. Stützblock

Tragen des Werkzeugs

Klappen Sie den Werkzeugkopf herunter, und verriegeln Sie ihn. Halten Sie das Werkzeug zum Tragen am Handgriff.

- **Abb.24**

WARTUNG

VORSICHT: Vergewissern Sie sich vor der Durchführung von Überprüfungen oder Wartungsarbeiten des Werkzeugs stets, dass es ausgeschaltet und vom Stromnetz getrennt ist.

ANMERKUNG: Verwenden Sie auf keinen Fall Benzin, Waschbenzin, Verdüner, Alkohol oder dergleichen. Solche Mittel können Verfärbung, Verformung oder Rissbildung verursachen.

Auswechseln der Kohlebürsten

- **Abb.25:** 1. Verschleißgrenze

Überprüfen Sie die Kohlebürsten regelmäßig.

Wechseln Sie sie aus, wenn sie bis zur Verschleißgrenze abgenutzt sind. Halten Sie die Kohlebürsten stets sauber, damit sie ungehindert in den Haltern gleiten können. Beide Kohlebürsten sollten gleichzeitig ausgewechselt werden. Verwenden Sie nur identische Kohlebürsten.

1. Drehen Sie die Bürstenhalterkappen mit einem Schraubendreher heraus.
2. Nehmen Sie die abgenutzten Kohlebürsten heraus, setzen Sie die neuen ein, und drehen Sie dann die Bürstenhalterkappen wieder ein.

- **Abb.26:** 1. Bürstenhalterkappe

SONDERZUBEHÖR

VORSICHT: Die folgenden Zubehörteile oder Vorrichtungen werden für den Einsatz mit dem in dieser Anleitung beschriebenen Makita-Werkzeug empfohlen. Die Verwendung anderer Zubehörteile oder Vorrichtungen kann eine Verletzungsgefahr darstellen. Verwenden Sie Zubehörteile oder Vorrichtungen nur für ihren vorgesehenen Zweck.

Wenn Sie weitere Einzelheiten bezüglich dieser Zubehörteile benötigen, wenden Sie sich bitte an Ihre Makita-Kundendienststelle.

- Trennschleifscheiben
- Steckschlüssel (nur für LW1401)

HINWEIS: Manche Teile in der Liste können als Standardzubehör im Werkzeugsatz enthalten sein. Sie können von Land zu Land unterschiedlich sein.

DATI TECNICI

Modello:		LW1400	LW1401
Diametro disco		355 mm	
Diametro foro		25,4 mm	
Velocità a vuoto		3.800 min ⁻¹	
Dimensioni (L x P x A)	Con protezione di sicurezza di tipo europeo	530 mm x 295 mm x 640 mm	500 mm x 295 mm x 640 mm
	Con protezione di sicurezza diversa dal tipo europeo	530 mm x 290 mm x 640 mm	500 mm x 290 mm x 620 mm
Peso netto	Con protezione di sicurezza di tipo europeo e sottofondo	18,7 kg	18,3 kg
Classe di sicurezza		II	

- In conseguenza del nostro programma di ricerca e sviluppo continui, i dati tecnici nel presente manuale sono soggetti a modifiche senza preavviso.
- I dati tecnici possono variare da nazione a nazione.
- Peso in conformità alla procedura EPTA 01/2003
- La forma e il peso variano a seconda dei dati tecnici, che variano da nazione a nazione.

Utilizzo previsto

L'utensile è destinato al taglio di materiali ferrosi mediante l'uso di un disco da taglio abrasivo appropriato. Attenersi a tutte le leggi e le normative relative alle polveri e alla salute e alla sicurezza dell'area di lavoro della propria nazione.

Alimentazione

L'utensile deve essere collegato a una fonte di alimentazione con la stessa tensione indicata sulla targhetta del nome, e può funzionare solo a corrente alternata monofase. L'utensile è dotato di doppio isolamento, per cui può essere utilizzato con prese elettriche sprovviste di messa a terra.

Per i sistemi di distribuzione della rete elettrica pubblica a bassa tensione da 220 V a 250 V

Le operazioni di accensione e spegnimento degli apparecchi elettrici causano fluttuazioni di tensione. L'utilizzo di questo dispositivo in condizioni inadatte della rete elettrica potrebbe produrre effetti negativi sul funzionamento di altri apparecchi. Con un'impedenza delle rete elettrica pari o inferiore a 0,18 ohm, si può presumere che non si verifichino effetti negativi. La presa elettrica di rete utilizzata per questo dispositivo deve essere protetta da un fusibile o da un interruttore automatico di protezione a bassa velocità di intervento.

Rumore

Livello tipico di rumore pesato A determinato in base allo standard EN61029:

Modello LW1400

Livello di pressione sonora (L_{pA}): 102 dB (A)

Livello di potenza sonora (L_{WA}): 110 dB (A)

Incertezza (K): 3 dB (A)

Modello LW1401

Livello di pressione sonora (L_{pA}): 102 dB (A)

Livello di potenza sonora (L_{WA}): 110 dB (A)

Incertezza (K): 3 dB (A)

AVVERTIMENTO: Indossare protezioni per le orecchie.

Vibrazioni

Valore totale delle vibrazioni (somma vettoriale triassiale) determinato in base allo standard EN61029:

Modello LW1400

Emissione di vibrazioni (a_h): 2,5 m/s² o inferiore

Incertezza (K): 1,5 m/s²

Modello LW1401

Emissione di vibrazioni (a_h): 2,5 m/s² o inferiore

Incertezza (K): 1,5 m/s²

NOTA: Il valore di emissione delle vibrazioni dichiarato è stato misurato in conformità al metodo standard di verifica, e può essere utilizzato per confrontare un utensile con un altro.

NOTA: Il valore di emissione delle vibrazioni dichiarato può venire utilizzato anche per una valutazione preliminare dell'esposizione.

AVVERTIMENTO: L'emissione delle vibrazioni durante l'utilizzo effettivo dell'utensile elettrico può variare rispetto al valore di emissione dichiarato, a seconda dei modi in cui viene utilizzato l'utensile.

AVVERTIMENTO: Accertarsi di identificare le misure di sicurezza per la protezione dell'operatore basate sulla stima dell'esposizione nelle condizioni effettive di utilizzo (tenendo presente tutte le parti del ciclo operativo, ad esempio le volte in cui l'utensile viene spento e quando gira a vuoto, oltre al tempo di attivazione).

Dichiarazione CE di conformità

Modello solo per le nazioni europee

Makita dichiara che la/le macchina/e seguente/i:
Designazione della macchina: Troncatrice portatile
N. modello/Tipo: LW1400, LW1401

È conforme alle seguenti Direttive Europee:

2006/42/CE

È stata fabbricata in conformità allo standard e ai documenti standardizzati seguenti: EN60745

Il file tecnico in conformità alla normativa 2006/42/EC è disponibile presso:

Makita, Jan-Baptist Vinkstraat 2, 3070, Belgio
21.5.2015

Yasushi Fukaya

Amministratore

Makita, Jan-Baptist Vinkstraat 2, 3070, Belgio

Avvertenze generali relative alla sicurezza dell'utensile elettrico

⚠️ AVVERTIMENTO: Leggere tutte le avvertenze relative alla sicurezza e tutte le istruzioni. La mancata osservanza delle avvertenze e delle istruzioni può risultare in scosse elettriche, incendi e/o gravi lesioni personali.

Conservare tutte le avvertenze e le istruzioni come riferimento futuro.

Il termine "utensile elettrico" nelle avvertenze si riferisce sia all'utensile elettrico (cablato) nel funzionamento alimentato da rete elettrica che all'utensile elettrico (a batteria) nel funzionamento alimentato a batteria.

Regole aggiuntive di sicurezza per l'utensile

1. Indossare occhiali di protezione. Indossare anche protezioni per l'udito durante i periodi di utilizzo prolungati.
2. Utilizzare esclusivamente dischi consigliati dal produttore, con velocità di funzionamento massima pari almeno a "No Load RPM" (velocità a vuoto) indicata sulla targhetta dell'utensile. Utilizzare esclusivamente dischi da taglio rinforzati in fibra di vetro.
3. Prima dell'uso, verificare con cura l'eventuale presenza di spaccature o danneggiamenti del disco. Sostituire immediatamente i dischi spaccati o danneggiati.
4. Serrare con cura il disco.
5. Utilizzare esclusivamente le flange specificate per questo utensile.
6. Fare attenzione a non danneggiare il mandrino, le flange (soprattutto la superficie di installazione) o il bullone; in caso contrario, il disco stesso potrebbe rompersi.
7. Mantenere le protezioni in sede e in buone condizioni operative.

8. Tenere saldamente il manico.
9. Tenere le mani lontane dalle parti girevoli.
10. Prima di attivare l'interruttore, accertarsi che il disco non sia in contatto con il pezzo in lavorazione.
11. Prima di utilizzare l'utensile sul pezzo effettivo in lavorazione, lasciarlo solo girare per alcuni minuti. Osservare se siano presenti fluttuazioni o vibrazioni eccessive, che potrebbero essere causate da un'installazione errata o da un disco bilanciato male.
12. Fare attenzione alle scintille sprigionate durante l'uso. Potrebbero causare lesioni personali o incendiare materiali combustibili.
13. Rimuovere dall'area il materiale o i detriti che potrebbero essere incendiati dalle scintille. Inoltre, accertarsi che non siano presenti altre persone sul percorso delle scintille. Tenere sempre a portata di mano un estintore carico appropriato.
14. Utilizzare solo il filo di taglio del disco. Non utilizzare mai la superficie laterale.
15. Qualora durante l'uso il disco si arresti, emetta un rumore inusuale o inizi a vibrare, spegnere immediatamente l'utensile.
16. Spegnerne sempre l'utensile e attendere che il disco si arresti completamente prima di rimuovere o fissare un pezzo in lavorazione, regolare una morsa o cambiare la posizione di lavoro, l'angolazione del disco o il disco stesso.
17. Non toccare il pezzo in lavorazione subito dopo l'operazione; la sua temperatura è estremamente elevata e potrebbe ustionare la pelle.
18. Conservare i dischi solo in un luogo asciutto.
19. Accertarsi che le aperture di ventilazione rimangano libere durante il lavoro in condizioni polverose. Qualora sia necessario pulire la polvere, innanzitutto scollegare l'utensile dall'alimentazione elettrica di rete (utilizzare oggetti non metallici) ed evitare di danneggiare le parti interne.

CONSERVARE LE PRESENTI ISTRUZIONI.

INSTALLAZIONE

⚠️ AVVERTIMENTO: Questo utensile produce scintille durante il taglio di un pezzo in lavorazione. Non installare questo utensile in un'ubicazione in cui materiali infiammabili e/o esplosivi possano venire incendiati dalle scintille sprigionate dall'utensile. Inoltre, accertarsi che non siano presenti materiali di questo tipo in prossimità dell'utensile prima di iniziare l'operazione.

Fissaggio della base

Questo utensile deve essere imbullonato con due bulloni su una superficie piana e stabile utilizzando i fori per bulloni forniti nella base dell'utensile. Questo contribuisce a evitare il rovesciamento dell'utensile e potenziali lesioni personali.

► Fig.1: 1. Fori per bulloni 2. Base

DESCRIZIONE DELLE FUNZIONI

⚠ATTENZIONE: Accertarsi sempre che l'utensile sia spento e scollegato dall'alimentazione prima di regolare o controllare le sue funzioni.

Sblocco/blocco della testa dell'utensile

È possibile bloccare la testa dell'utensile. Bloccare sempre la testa dell'utensile quando non è in uso o durante il trasporto.

Per il modello LW1400

Per sbloccare la testa dell'utensile, premerla leggermente verso il basso e premere il perno di blocco. Per bloccarla, riportare il perno di blocco nella posizione precedente mentre si tiene abbassata la testa dell'utensile.

► Fig.2: 1. Perno di blocco

Per il modello LW1401

Sganciare la catena di blocco dal gancio. Agganciare sempre la catena di blocco al gancio quando non si utilizza l'utensile.

► Fig.3: 1. Gancio 2. Catena di blocco

Funzionamento dell'interruttore

⚠AVVERTIMENTO: Prima di collegare l'utensile all'alimentazione elettrica, controllare sempre che l'interruttore a grilletto funzioni correttamente e che torni sulla posizione "OFF" quando viene rilasciato.

► Fig.4: 1. Pulsante di blocco / Pulsante di sblocco
2. Interruttore a grilletto

Per gli utensili dotati di pulsanti di blocco

Per avviare l'utensile, è sufficiente premere l'interruttore a grilletto. Rilasciare l'interruttore a grilletto per arrestarlo. Per il funzionamento continuo, premere l'interruttore a grilletto, premere il pulsante di blocco per farlo rientrare, quindi rilasciare l'interruttore a grilletto. Per arrestare l'utensile dalla posizione di blocco, premere a fondo il grilletto, quindi rilasciarlo.

⚠ATTENZIONE: L'interruttore può essere bloccato sulla posizione "ON" per comodità dell'operatore durante l'uso prolungato. Fare attenzione quando si blocca l'utensile sulla posizione "ON", e mantenere una presa salda sull'utensile.

Per gli utensili dotati di pulsanti di sblocco

L'utensile è dotato di un pulsante di sblocco, per evitare di premere accidentalmente l'interruttore a grilletto. Per avviare l'utensile, premere il pulsante di sblocco e premere l'interruttore a grilletto. Rilasciare l'interruttore a grilletto per arrestarlo.

⚠AVVERTIMENTO: Non rendere MAI inefficace il pulsante di sblocco tenendolo premuto con nastro adesivo o in altri modi. Un interruttore con un pulsante di sblocco che sia stato reso inefficace potrebbe risultare in un funzionamento accidentale e in gravi lesioni personali.

⚠AVVERTIMENTO: Non utilizzare MAI l'utensile qualora si avvii semplicemente premendo l'interruttore a grilletto senza tenere premuto il pulsante di sblocco. Un interruttore che necessiti di riparazione potrebbe risultare in un funzionamento accidentale e in gravi lesioni personali. Riportare l'utensile a un centro di assistenza Makita per le riparazioni necessarie PRIMA di un ulteriore utilizzo.

AVVISO: Non premere con forza l'interruttore a grilletto senza aver fatto rientrare il pulsante di sblocco premendolo. In caso contrario, si potrebbe causare la rottura dell'interruttore.

Intervallo tra la morsa e la piastra guida

⚠ATTENZIONE: Dopo aver regolato l'intervallo tra la morsa e la piastra guida, accertarsi che quest'ultima sia fissata saldamente. Un serraggio insufficiente potrebbe risultare in lesioni personali.

Sono possibili le regolazioni dell'intervallo della morsa seguenti:

- 0 - 170 mm (impostazione originale)
- 35 - 205 mm
- 70 - 240 mm

Qualora il lavoro richieda un'impostazione diversa, procedere nel modo seguente per modificare la spaziatura o l'intervallo.

Per il modello LW1400

Allentare la vite sulla piastra guida. Spostare la piastra guida sulla posizione desiderata, quindi serrare la vite.

► Fig.5: 1. Vite 2. Piastra guida

Per il modello LW1401

Rimuovere i due bulloni esagonali utilizzando una chiave a bussola. Spostare la piastra guida sulla posizione desiderata e fissarla utilizzando i bulloni esagonali.

► Fig.6: 1. Piastra guida 2. Bulloni esagonali

Regolazione dell'angolo di taglio

⚠ATTENZIONE: Dopo aver regolato l'angolazione della piastra guida, accertarsi che quest'ultima sia fissata saldamente. Un serraggio insufficiente potrebbe risultare in lesioni personali.

Per il modello LW1400

Ruotare la leva in senso antiorario. Spostare la piastra guida sull'angolazione desiderata, quindi serrare completamente la leva.

► Fig.7: 1. Piastra guida 2. Leva

Per il modello LW1401

AVVISO: Quando si intende eseguire tagli obliqui a destra, impostare sempre la piastra guida sulla posizione 0 - 170 mm. L'impostazione sulla posizione 35 - 205 mm o 70 - 240 mm ostacola il movimento della piastra di fermo, il che risulta in un taglio non riuscito.

Allentare i due bulloni esagonali utilizzando una chiave a bussola. Ruotare la piastra guida sull'angolazione desiderata e fissarla utilizzando i bulloni esagonali. Fare attenzione a non spostare l'angolazione impostata mentre si fissano i bulloni esagonali.

► Fig.8: 1. Piastra guida 2. Bulloni esagonali

NOTA: La scala sulla piastra guida è solo un'indicazione approssimativa. Per un angolazione più accurata, utilizzare un goniometro o un righello triangolare. Mantenere abbassato il manico in modo che il disco da taglio si allunghi nella base. Allo stesso tempo, regolare l'angolo tra la piastra guida e il disco da taglio con un goniometro o un righello triangolare.

Regolazione del parascintille

Solo per il modello LW1401 (specifico per la nazione)

► Fig.9: 1. Vite 2. Parascintille

Il parascintille viene installato in fabbrica con il suo bordo inferiore a contatto con la base. Facendo funzionare l'utensile in questa posizione vengono sprigionate molte scintille nell'area circostante. Allentare la vite e regolare il parascintille su una posizione che sprigioni la minor quantità possibile di scintille nell'area circostante.

Piastra di fermo

Solo per il modello LW1401 (specifico per la nazione)

► Fig.10: 1. Piastra di fermo

La piastra di fermo impedisce al disco da taglio di entrare in contatto con il piano di lavoro o il pavimento. Quando si installa un nuovo disco da taglio, impostare la piastra di fermo sulla posizione (A). Quando il disco da taglio si usura al punto che la porzione più bassa del pezzo in lavorazione viene lasciata non tagliata, impostare la piastra di fermo sulla posizione (B) per consentire una maggiore capacità di taglio con un disco usurato.

MONTAGGIO

ATTENZIONE: Accertarsi sempre che l'utensile sia spento e scollegato dall'alimentazione elettrica, prima di effettuare qualsiasi intervento su di esso.

Apertura della protezione di sicurezza del tipo con calotta centrale

Specifica in base alla nazione

Per gli utensili dotati di protezione di sicurezza del tipo con calotta centrale, innanzitutto allentare la vite di bloccaggio, quindi sollevare la protezione.

► Fig.11: 1. Vite di bloccaggio

Apertura della protezione di sicurezza di tipo europeo

Specifica in base alla nazione

Per gli utensili dotati di protezione di sicurezza di tipo europeo, innanzitutto allentare la vite di bloccaggio, quindi aprire la protezione come indicato nella figura.

► Fig.12: 1. Vite di bloccaggio

► Fig.13

► Fig.14

Rimozione o installazione del disco da taglio

ATTENZIONE: Accertarsi di serrare saldamente il morsetto che non richiede utensili o il bullone esagonale. Un serraggio insufficiente potrebbe risultare in gravi lesioni personali. Quando si serra il bullone esagonale, utilizzare la chiave a bussola in dotazione con l'utensile per assicurare il serraggio corretto.

ATTENZIONE: Utilizzare sempre esclusivamente le flange interna ed esterna corrette in dotazione con questo utensile.

ATTENZIONE: Abbassare sempre la protezione di sicurezza dopo la sostituzione del disco.

► Fig.15: 1. Flangia interna 2. Anello 3. Guarnizione circolare 4. Disco da taglio 5. Flangia esterna 6. Morsetto che non richiede utensili/bullone esagonale

Per il modello LW1400

Sollevare la protezione di sicurezza. Ruotare il morsetto che non richiede utensili in senso antiorario mentre si tiene premuto il blocco albero. Quindi, rimuovere il morsetto che non richiede utensili, la flangia esterna e il disco da taglio. Quando si intende rimuovere il disco da taglio, non rimuovere la flangia interna né l'anello e la guarnizione circolare.

► Fig.16: 1. Blocco albero 2. Morsetto che non richiede utensili

Per installare il disco da taglio, seguire la procedura di rimozione al contrario. Accertarsi di inserire il foro del disco da taglio nell'anello e rimettere a posto la protezione di sicurezza.

Per il modello LW1401

Sollevare la protezione di sicurezza. Ruotare il bullone esagonale in senso antiorario utilizzando una chiave a bussola mentre si tiene premuto il blocco albero. Quindi, rimuovere il bullone esagonale, la flangia esterna e il disco.

► **Fig.17:** 1. Blocco albero 2. Bullone esagonale

Per installare il disco, seguire la procedura di rimozione al contrario. Accertarsi di inserire il foro del disco da taglio nell'anello e rimettere a posto la protezione di sicurezza.

Fissaggio del pezzo in lavorazione

ATTENZIONE: Posizionare sempre il fermo per filettatura sui filetti dell'albero quando si fissa il pezzo in lavorazione. La mancata osservanza di questa istruzione potrebbe risultare in un fissaggio insufficiente del pezzo in lavorazione. Questo potrebbe causare l'espulsione del pezzo in lavorazione o una pericolosa rottura del disco.

FUNZIONAMENTO


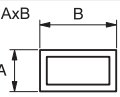
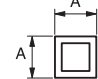

ATTENZIONE: È possibile stabilire la pressione appropriata sul manico durante il taglio e l'efficienza massima di taglio in base alla quantità di scintille prodotte durante il taglio. Non forzare il taglio applicando una pressione eccessiva sul manico. Ne potrebbe conseguire un'efficienza di taglio ridotta, l'usura prematura del disco, nonché un possibile danneggiamento dell'utensile, del disco da taglio o del pezzo in lavorazione.

Tenere saldamente il manico. Accendere l'utensile e attendere che il disco abbia raggiunto la piena velocità prima di abbassarlo delicatamente nel taglio. Quando il disco entra in contatto con il pezzo in lavorazione, fare gradualmente pressione sul manico per eseguire il taglio. Al completamento del taglio, spegnere l'utensile e attendere l'arresto completo del disco prima di riportare il manico sulla posizione completamente rialzata.

Capacità di taglio

La capacità massima di taglio varia a seconda dell'angolo di taglio e della forma del pezzo in lavorazione.

Capacità max di taglio con un disco da taglio nuovo

Angolo di taglio / Forma del pezzo in lavorazione	90°	45°
	127 mm	127 mm
	115 x 130 mm 102 x 194 mm 70 x 233 mm	115 x 103 mm
	119 x 119 mm	106 x 106 mm
	137 x 137 x 10 mm	100 x 100 x 10 mm

Mentre il fermo per filettatura è sollevato, è possibile spostare rapidamente la piastra morsa verso l'interno e l'esterno. Per tenere fermo un pezzo in lavorazione, spingere la maniglia della morsa fino a quando la piastra morsa entra in contatto con il pezzo in lavorazione, quindi riapplicare il fermo per filettatura. Ruotare la maniglia in senso orario fino a quando il pezzo in lavorazione viene mantenuto in posizione saldamente.

► **Fig.18:** 1. Maniglia 2. Fermo per filettatura 3. Piastra morsa

Quando il disco da taglio si è usurato notevolmente, posizionare un blocco distanziatore dietro il pezzo in lavorazione, come mostrato nella figura. È possibile utilizzare con maggiore efficienza il disco usurato utilizzando il punto mediano sulla periferia del disco per tagliare il pezzo in lavorazione. Come blocco distanziatore, utilizzare un materiale robusto e non infiammabile.

► **Fig.19:** 1. Blocco distanziatore

Quando si intende tagliare ad angolo pezzi in lavorazione di larghezza superiore a 85 mm, applicare alla piastra guida un pezzo di legno dritto (distanziatore) di dimensioni superiori a 190 mm di lunghezza x 45 mm di larghezza, come mostrato nella figura. Applicare questo distanziatore con delle viti attraverso i fori nella piastra guida. Accertarsi che il disco da taglio non sia in contatto con il distanziatore, quando si preme verso il basso la testa dell'utensile.

► **Fig.20:** 1. Piastra guida 2. Blocco distanziatore (di dimensioni superiori a 190 mm di lunghezza x 45 mm di larghezza) 3. Pezzo in lavorazione (di larghezza superiore a 85 mm) 4. Piastra morsa

► **Fig.21**

Quando il disco da taglio si è usurato, sollevare la posizione di taglio inserendo un blocco distanziatore che sia leggermente più stretto del pezzo in lavorazione, come mostrato nella figura. Ciò contribuisce a un utilizzo economico del disco.

► **Fig.22:** 1. Piastra morsa 2. Diametro del pezzo in lavorazione 3. Piastra guida 4. Larghezza del blocco distanziatore

I pezzi lunghi devono essere supportati ad entrambi i lati con dei blocchi, in modo da essere a livello con la parte superiore della base. Per i blocchi di supporto, utilizzare materiale non infiammabile.

► **Fig.23:** 1. Blocco di supporto

Trasporto dell'utensile

Ripiegare verso il basso la testa dell'utensile e bloccarla. Tenere l'utensile per il manico durante il trasporto.

► **Fig.24**

MANUTENZIONE

⚠ATTENZIONE: Accertarsi sempre che l'utensile sia spento e scollegato dall'alimentazione elettrica, prima di tentare di eseguire interventi di ispezione o manutenzione.

AVVISO: Non utilizzare mai benzina, benzene, solventi, alcol o altre sostanze simili. In caso contrario, si potrebbero causare scolorimenti, deformazioni o crepe.

Sostituzione delle spazzole in carbonio

► **Fig.25:** 1. Indicatore di limite

Controllare a intervalli regolari le spazzole in carbonio. Sostituirle quando si sono usurate fino all'indicatore di limite. Mantenere sempre le spazzole in carbonio pulite e facili da inserire negli alloggiamenti. Entrambe le spazzole in carbonio vanno sostituite contemporaneamente. Utilizzare solo spazzole in carbonio identiche.

1. Utilizzare un cacciavite per rimuovere i cappucci degli alloggiamenti delle spazzole.
2. Estrarre le spazzole in carbonio consumate, inserire quelle nuove e fissare i cappucci degli alloggiamenti delle spazzole.

► **Fig.26:** 1. Cappuccio dell'alloggiamento della spazzola

ACCESSORI OPZIONALI

⚠ATTENZIONE: Questi accessori o componenti aggiuntivi sono consigliati per l'uso con l'utensile Makita specificato nel presente manuale. L'impiego di altri accessori o componenti aggiuntivi può costituire un rischio di lesioni alle persone. Utilizzare gli accessori o i componenti aggiuntivi solo per il loro scopo prefissato.

Per ottenere ulteriori dettagli relativamente a questi accessori, rivolgersi a un centro di assistenza Makita.

- Dischi da taglio abrasivi
- Chiave a bussola (solo per il modello LW1401)

NOTA: Alcuni articoli nell'elenco potrebbero essere inclusi nell'imballaggio dell'utensile come accessori standard. Tali articoli potrebbero variare da nazione a nazione.

TECHNISCHE GEGEVENS

Model:		LW1400	LW1401
Diameter van schijf		355 mm	
Gatdiameter		25,4 mm	
Nullasttoerental		3.800 min ⁻¹	
Afmetingen (l x b x h)	Met Europees type veiligheidsskap	530 mm x 295 mm x 640 mm	500 mm x 295 mm x 640 mm
	Met andere dan Europees type veiligheidsskap	530 mm x 290 mm x 640 mm	500 mm x 290 mm x 620 mm
Nettogewicht	Met Europees type veiligheidsskap en onderkap	18,7 kg	18,3 kg
Veiligheidsklasse		II/II	

- In verband met ononderbroken research en ontwikkeling behouden wij ons het recht voor bovenstaande technische gegevens te wijzigen zonder voorafgaande kennisgeving.
- De technische gegevens kunnen van land tot land verschillen.
- Gewicht volgens de EPTA-procedure 01/2003
- De vorm en het gewicht verschillen afhankelijk van de technische gegevens die van land tot land verschillen.

Gebruiksdoelinden

Het gereedschap is bedoeld voor het doorslijpen van ferro-materialen met een geschikte doorslijpschijf. Houdt u zich aan de wetten en regelgeving zoals die in uw land gelden met betrekking tot stof en veiligheid en gezondheid op de werkplek.

Voeding

Het gereedschap mag alleen worden aangesloten op een voeding van dezelfde spanning als aangegeven op het typeplaatje, en kan alleen worden gebruikt op enkelfase-wisselstroom. Het gereedschap is dubbel-geïsoleerd en kan derhalve ook op een niet-geaard stopcontact worden aangesloten.

Voor openbare laagspanningsverdeelssystemen van tussen 220 V en 250 V

Schakelbedieningen van elektrische apparaten veroorzaken spanningsschommelingen. De bediening van dit gereedschap onder ongunstige lichtomstandigheden kan een nadelige invloed hebben op de bediening van andere apparaten. Het kan worden aangenomen dat er geen negatieve effecten zullen zijn wanneer de netimpedantie gelijk is aan of minder is dan 0,18 ohm. Het stopcontact dat voor dit gereedschap wordt gebruikt, moet beveiligd zijn door een zekering of een stroomonderbreker met trage afschakelkarakteristieken.

Geluidsniveau

De typische, A-gewogen geluidsniveaus zijn gemeten volgens EN61029:

Model LW1400

Geluidsdrukniveau (L_{pA}): 102 dB (A)
 Geluidsvermogeniveau (L_{WA}): 110 dB (A)
 Onzekerheid (K): 3 dB (A)

Model LW1401

Geluidsdrukniveau (L_{pA}): 102 dB (A)
 Geluidsvermogeniveau (L_{WA}): 110 dB (A)
 Onzekerheid (K): 3 dB (A)

⚠WAARSCHUWING: Draag gehoorbescherming.

Trilling

De totale trillingswaarde (triaxiale vectorsom) zoals vastgesteld volgens EN61029:

Model LW1400

Trillingsemismissie (a_n): 2,5 m/s² of lager
 Onzekerheid (K): 1,5 m/s²

Model LW1401

Trillingsemismissie (a_n): 2,5 m/s² of lager
 Onzekerheid (K): 1,5 m/s²

OPMERKING: De opgegeven trillingsemismissiewaarde is gemeten volgens de standaardtestmethode en kan worden gebruikt om dit gereedschap te vergelijken met andere gereedschappen.

OPMERKING: De opgegeven trillingsemismissiewaarde kan ook worden gebruikt voor een beoordeling vooraf van de blootstelling.

⚠️ WAARSCHUWING: De trillingsemisatie tijdens het gebruik van het elektrisch gereedschap in de praktijk kan verschillen van de opgegeven trillingsemisatiewaarde afhankelijk van de manier waarop het gereedschap wordt gebruikt.

⚠️ WAARSCHUWING: Zorg ervoor dat veiligheidsmaatregelen worden getroffen ter bescherming van de operator die zijn gebaseerd op een schatting van de blootstelling onder praktijkomstandigheden (rekening houdend met alle fasen van de bedrijfsfscyclus, zoals de tijdsduur gedurende welke het gereedschap is uitgeschakeld en stationair draait, naast de ingeschakelde tijdsduur).

EU-verklaring van conformiteit

Alleen voor Europese landen

Makita verklaart hierbij dat de volgende machine(s):

Aanduiding van de machine: Draagbare afkortcirkelzaag

Modelnr./Type: LW1400, LW1401

Voldoet aan de volgende Europese richtlijnen:

2006/42/EU

Ze zijn gefabriceerd in overeenstemming met de volgende norm of genormaliseerde documenten: EN60745

Het technisch documentatiebestand volgens 2006/42/EC is verkrijgbaar bij:

Makita, Jan-Baptist Vinkstraat 2, 3070, België
21.5.2015

Yasushi Fukaya

Directeur

Makita, Jan-Baptist Vinkstraat 2, 3070, België

Algemene veiligheidswaarschuwingen voor elektrisch gereedschap

⚠️ WAARSCHUWING: Lees alle veiligheids-waarschuwingen en alle instructies. Het niet volgen van de waarschuwingen en instructies kan leiden tot elektrische schokken, brand en/of ernstig letsel.

Bewaar alle waarschuwingen en instructies om in de toekomst te kunnen raadplegen.

De term "elektrisch gereedschap" in de veiligheidsvoor-schriften duidt op gereedschappen die op stroom van het lichtnet werken (met snoer) of gereedschappen met een accu (snoerloos).

Aanvullende veiligheidsvoorzorgsmaatregelen voor het gereedschap

1. Draag een beschermbril. Draag ook oorbeschermers bij langdurige werkzaamheden.
2. Gebruik uitsluitend schijven die door de fabrikant worden aanbevolen en waarvan het maximaal bedrijfstoerental minstens even hoog is

als het "No Load RPM" (nullasttoerental) dat op het typeplaatje van het gereedschap wordt vermeld. Gebruik uitsluitend doorslijpschijven die met glasvezel zijn versterkt.

3. Alvorens met de werkzaamheid te beginnen, de schijf zorgvuldig controleren op barsten of beschadiging. Vervang een gebarsten of beschadigde schijf onmiddellijk.
4. Zet de schijf zorgvuldig vast.
5. Gebruik uitsluitend de voor dit gereedschap voorgeschreven flenzen.
6. Zorg ervoor dat u de as, de flenzen (vooral hun montagevlak) of de bout niet beschadigt, aangezien de schijf zelf dan kan breken.
7. Houd de beschermingen op hun plaats en in goede staat.
8. Houd de handgreep stevig vast.
9. Houd uw handen uit de buurt van draaiende onderdelen.
10. Zorg ervoor dat de schijf het werkstuk niet raakt alvorens het gereedschap in te schakelen.
11. Laat het gereedschap een paar minuten draaien alvorens het op een werkstuk te gebruiken. Controleer op wiebelen of overmatige trillingen die door een verkeerd aangebrachte of slecht gebalanceerde schijf kunnen worden veroorzaakt.
12. Pas gedurende de werking op voor rondvliegende vonken. Deze kunnen letsel veroorzaken of ontvlambaar materiaal doen ontbranden.
13. Verwijder ontvlambaar materiaal of brokstukken uit de werkomgeving. Zorg ervoor dat niemand zich in de vonkenregen bevindt. Houd een in goede staat verkerend brandblusapparaat gereed dicht bij de werkomgeving.
14. Gebruik uitsluitend de snijkant van de schijf. Gebruik nooit het zijoppervlak.
15. Wanneer tijdens de werkzaamheid de schijf plotseling stopt, vreemde geluiden maakt of begint te trillen, schakel dan het gereedschap onmiddellijk uit.
16. Schakel het gereedschap altijd uit en wacht totdat de schijf volledig tot stilstand is gekomen, alvorens het werkstuk te verwijderen of vast te zetten, de bankschroef te bedienen, de werkpositie of de hoek te veranderen, of de schijf te vervangen.
17. Raak het werkstuk niet aan onmiddellijk na het werken, aangezien het dan gloeiend heet is en brandwonden kan veroorzaken.
18. Berg de schijven uitsluitend op een droge plaats op.
19. Houd de ventilatieopeningen schoon wanneer u in een stoffige omgeving werkt. Wanneer u stof uit deze openingen wilt verwijderen, moet u eerst de aansluiting van het gereedschap op het stopcontact verbreken en oppassen dat u geen inwendige onderdelen beschadigt (gebruik voor het reinigen uitsluitend niet-metalen voorwerpen).

BEWAAR DEZE INSTRUCTIES.

OPSTELLEN

⚠WAARSCHUWING: Dit gereedschap produceert vonken tijdens het doorsnijden van een werkstuk. Stel dit gereedschap niet op een plaats op waar brandbare en/of explosieve materialen kunnen worden ontstoken door een vonk vanaf het gereedschap. Zorg er tevens voor dat dergelijk materiaal zich niet in de buurt van het gereedschap bevindt voordat u met de werkzaamheden begint.

Het voetstuk bevestigen

Dit gereedschap moet met twee bouten in de boutgaten van het voetstuk worden bevestigd op een horizontale en stabiele ondergrond. Dit helpt voorkomen dat het gereedschap kantelt of omvalt met kans op persoonlijk letsel.

► **Fig.1:** 1. Boutgaten 2. Voetstuk

BESCHRIJVING VAN DE FUNCTIES

⚠LET OP: Controleer altijd of het gereedschap is uitgeschakeld en de stekker ervan uit het stopcontact is verwijderd alvorens de functies op het gereedschap te controleren of af te stellen.

De gereedschapskop vergrendelen/ontgrendelen

De gereedschapskop kan worden vergrendeld. Vergrendel altijd de gereedschapskop wanneer het gereedschap niet in gebruik is of wordt getransporteerd.

Voor LW1400

Om te ontgrendelen, duwt u de gereedschapskop iets omlaag en drukt u tegen de vergrendelpen. Om te vergrendelen, houdt u de gereedschapskop omlaag gedruwd en drukt u de vergrendelpen terug.

► **Fig.2:** 1. Vergrendelpen

Voor LW1401

Maak de vergrendelketting los van de haak. Maak de vergrendelketting altijd vast aan de haak wanneer het gereedschap niet wordt gebruikt.

► **Fig.3:** 1. Haak 2. Vergrendelketting

De trekkerschakelaar gebruiken

⚠WAARSCHUWING: Controleer altijd, voordat u de stekker in het stopcontact steekt, of de trekkerschakelaar op de juiste manier schakelt en weer terugkeert naar de uit-stand nadat deze is losgelaten.

► **Fig.4:** 1. Vergrendelknop / uit-vergrendelknop
2. Trekkerschakelaar

Voor een gereedschap met een vergrendelknop

Om het gereedschap te starten, knijpt u gewoon de trekkerschakelaar in. Laat de trekkerschakelaar los om het gereedschap te stoppen. Om het gereedschap continu te laten werken, knijpt u de trekkerschakelaar in, drukt u de vergrendelknop in en laat u daarna de trekkerschakelaar los. Om een gereedschap dat continu werkt te stoppen, knijpt u de trekkerschakelaar helemaal in en laat u hem daarna los.

⚠LET OP: De schakelaar kan in de aan-stand vergrendeld worden, hetgeen bij langdurig gebruik comfortabeler werkt. Wees extra voorzichtig wanneer u de schakelaar in de aan-stand vergrendelt en houd het gereedschap altijd stevig vast.

Voor een gereedschap met een uit-vergrendelknop

Om te voorkomen dat de trekkerschakelaar per ongeluk wordt ingeknepen, is een uit-vergrendelknop aangebracht. Om het gereedschap te starten, drukt u de uit-vergrendelknop in en knijpt u de trekkerschakelaar in. Laat de trekkerschakelaar los om het gereedschap te stoppen.

⚠WAARSCHUWING: U mag NOOIT de uit-vergrendelknop buiten werking stellen door hem met tape vast te zetten of iets dergelijks. Een schakelaar met een buiten werking gestelde uit-vergrendelknop, kan leiden tot onbedoeld inschakelen en ernstig persoonlijk letsel.

⚠WAARSCHUWING: Gebruik het gereedschap NOOIT als het start door alleen maar de trekkerschakelaar in te knijpen zonder de uit-vergrendelknop in te drukken. Een schakelaar die moet worden gerepareerd, kan leiden tot onbedoeld inschakelen en ernstig persoonlijk letsel. Stuur het gereedschap op naar een Makita-servicecentrum voor reparatie ZONDER het verder te gebruiken.

KENNISGEVING: Druk de trekkerschakelaar niet hard in zonder dat de uit-vergrendelknop is ingedrukt. Hierdoor kan de schakelaar kapot gaan.

Ruimte tussen de bankschroef en de geleideplaat

⚠LET OP: Na het afstellen van de ruimte tussen de bankschroef en de geleideplaat, zorgt u ervoor dat de geleideplaat goed wordt vastgezet. Door onvoldoende vastzetten kan persoonlijk letsel ontstaan.

De volgende tussenruimte-instellingen van de bankschroef zijn mogelijk:

- 0 - 170 mm (originele instelling)
- 35 - 205 mm
- 70 - 240 mm

Als voor uw werk verschillende instellingen nodig zijn, gaat u als volgt te werk om de afstand of tussenruimte in te stellen.

Voor LW1400

Draai de schroef op de geleideplaat los. Stel de geleideplaat in op de gewenste stand en draai daarna de schroef vast.

► Fig.5: 1. Schroef 2. Geleideplaat

Voor LW1401

Verwijder de twee zeskantbouten met behulp van de dopsleutel. Zet de geleideplaat in de gewenste stand en zet hem vast met de zeskantbouten.

► Fig.6: 1. Geleideplaat 2. Zeskantbouten

De doorslijphoek instellen

▲LET OP: Na het afstellen van de hoek van de geleideplaat, zorgt u ervoor dat de geleideplaat goed wordt vastgezet. Door onvoldoende vastzetten kan persoonlijk letsel ontstaan.

Voor LW1400

Draai de hendel linksom. Stel de geleideplaat in onder de gewenste hoek en draai de hendel helemaal vast.

► Fig.7: 1. Geleideplaat 2. Hendel

Voor LW1401

KENNISGEVING: Voor het maken van een rechter verstekzaagsnede, zet u de geleideplaat altijd in de stand 0 - 170 mm. Als u hen in de stand 35 - 205 mm of de stand 70 - 240 mm zet, wordt de beweging van de aanslagplaat gehinderd, waardoor de snede mislukt.

Draai de twee zeskantbouten los met behulp van de dopsleutel. Zet de geleideplaat in de gewenste stand en zet hem vast met de zeskantbouten. Wees voorzichtig niet de ingestelde hoek te veranderen tijdens het vastzetten met de zeskantbouten.

► Fig.8: 1. Geleideplaat 2. Zeskantbouten

OPMERKING: De schaalverdeling op de geleideplaat biedt slechts een grove richtlijn. Voor een nauwkeuriger hoekinstelling gebruikt u een gradenboog of een geodriehoek. Zorg dat de handgreep omlaag staat, zodat de doorslijpschijf tot in het voetstuk steekt. Verstel tegelijkertijd de hoek tussen de geleideplaat en de doorslijpschijf met een gradenboog of een geodriehoek.

Het vonkscherm afstellen

Alleen voor LW1401 (afhankelijk van het land)

► Fig.9: 1. Schroef 2. Vonkscherm

Het vonkscherm is in de fabriek gemonteerd met de onderste rand tegen het voetstuk aan. Als u het gereedschap in die stand gebruikt, zullen er veel vonken in het rond vliegen. Draai de schroef los en verstel het vonkscherm zodanig dat er zo min mogelijk vonken in het rond vliegen.

Aanslagplaat

Alleen voor LW1401 (afhankelijk van het land)

► Fig.10: 1. Aanslagplaat

De aanslagplaat voorkomt dat de doorslijpschijf de werkbank of vloer kan raken. Nadat een nieuwe doorslijpschijf is aangebracht, zet u de aanslagplaat in stand (A). Wanneer de doorslijpschijf zo ver is afgesleten dat het onderste deel van het werkstuk niet meer wordt doorgeslepen, zet u de aanslagplaat in stand (B) zodat dieper kan worden doorgeslepen met een afgesleten schijf.

MONTAGE

▲LET OP: Zorg altijd dat het gereedschap is uitgeschakeld en dat zijn stekker uit het stopcontact is verwijderd alvorens enig werk aan het gereedschap uit te voeren.

De middenkap-type veiligheidskap openen

Afhankelijk van het land

Bij een gereedschap uitgerust met een de middenkap-type veiligheidskap, draait u eerst de klemschroef los en brengt u daarna de veiligheidskap omhoog.

► Fig.11: 1. Klemschroef

De Europees type veiligheidskap openen

Afhankelijk van het land

Bij een gereedschap uitgerust met een Europees type veiligheidskap, draait u eerst de klemschroef los en opent u daarna de veiligheidskap zoals afgebeeld.

► Fig.12: 1. Klemschroef

► Fig.13

► Fig.14

De doorslijpschijf aanbrengen en verwijderen

▲LET OP: Draai de handdraaiknop of zeskantbout altijd stevig vast. Door onvoldoende vastdraaien kan ernstig letsel ontstaan. Gebruik voor het vastdraaien van de zeskantbout de dopsleutel die bij het gereedschap is geleverd om zeker te zijn van stevig aandraaien.

▲LET OP: Gebruik altijd alleen de juiste binnen- en buitenflenzen die bij het gereedschap zijn geleverd.

▲LET OP: Breng na het vervangen van de schijf altijd de veiligheidskap weer omlaag.

► Fig.15: 1. Binnenflens 2. Ring 3. O-ring
4. Doorslijpschijf 5. Buitenflens
6. Handdraaiknop / Zeskantbout

Voor LW1400

Breng de veiligheidskap omhoog. Houd de asvergrendeling ingedrukt en draai de handdraaiknop linksom. Verwijder vervolgens de handdraaiknop, de buitenflens en de doorslijpschijf. Verwijder bij het verwijderen van de doorslijpschijf niet de binnenflens en ook niet de ring en O-ring.

► Fig.16: 1. Asvergrendeling 2. Handdraaiknop

Voor het aanbrengen van de doorslijpschijf volgt u de verwijderingsprocedure in omgekeerde volgorde. Zorg ervoor dat het gat van de doorslijpschijf past in de ring en breng de veiligheidskap omlaag.

Voor LW1401

Breng de veiligheidsskap omhoog. Houd de asvergrendeling ingedrukt en draai de zeskantbout linksom met een dop sleutel. Verwijder vervolgens de zeskantbout, de buitenflens en de schijf.

► **Fig.17:** 1. Asvergrendeling 2. Zeskantbout

Voor het aanbrengen van de schijf volgt u de verwijderingsprocedure in omgekeerde volgorde. Zorg ervoor dat het gat van de doorslijpschijf past in de ring en breng de veiligheidsskap omlaag.

BEDIENING


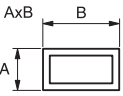
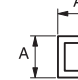

▲LET OP: De juiste druk op de handgreep tijdens het snijden en de maximale efficiëntie van het doorslijpen kan worden afgelezen aan de hoeveelheid vonken die wordt geproduceerd tijdens het doorsnijden. Probeer niet om de snede te forceren door buitensporig veel druk op de handgreep uit te oefenen. Dat kan leiden tot een lagere efficiëntie van het doorslijpen, voortijdige slijtage van de schijf, en mogelijke schade aan het gereedschap, de doorslijpschijf of het werkstuk.

Houd de handgreep stevig vast. Schakel het gereedschap in en wacht tot de schijf met maximaal toeren draait, voordat u die voorzichtig in de snede laat zakken. Wanneer de schijf het werkstuk raakt, drukt u geleidelijk de handgreep omlaag om de snede te maken. Wanneer de snede voltooid is, schakelt u het gereedschap uit en wacht totdat de schijf volledig tot stilstand is gekomen voordat u de handgreep terugzet in de bovenste stand.

Doorslijpcapaciteit

De maximale doorslijpcapaciteit varieert afhankelijk van de doorslijphoek en de vorm van het werkstuk.

Maximale doorslijpcapaciteit van een gloednieuwe doorslijpschijf

Doorslijphoek/ werkstukvorm	90°	45°
	127 mm	127 mm
	115 x 130 mm 102 x 194 mm 70 x 233 mm	115 x 103 mm
	119 x 119 mm	106 x 106 mm
	137 x 137 x 10 mm	100 x 100 x 10 mm

Het werkstuk vastklemmen

▲LET OP: Plaats de schroefdraadhouder altijd op de schroefdraad van de as wanneer u het werkstuk gaat vastklemmen. Als u dit nalaat, kan het werkstuk niet afdoende worden vastgeklemd. In dat geval zou het werkstuk kunnen losspringen of zou de schijf kunnen breken, wat zeer gevaarlijk is.

Wanneer de schroefdraadhouder omhoog staat, kan de bankschroefplaat snel naar voren en achteren worden verplaatst. Om uw werkstuk vast te klemmen, duwt u eerst de handgreep naar voren tot de bankschroefplaat tegen het werkstuk komt en sluit u daarna de schroefdraadhouder. Draai de handgreep rechtsonder tot het werkstuk goed is vastgezet.

► **Fig.18:** 1. Handgreep 2. Schroefdraadhouder
3. Bankschroefplaat

Wanneer de doorslijpschijf al aanzienlijk afgesleten is, plaatst u een afstandsstuk achter het werkstuk, zoals getoond in de afbeelding. U kunt een versleten schijf efficiënter gebruiken door het middelpunt van de rand van de schijf te gebruiken voor het doorsnijden van uw werkstuk. Gebruik een afstandsstuk van solide, onbrandbaar materiaal.

► **Fig.19:** 1. Afstandsstuk

Om een werkstuk van meer dan 85 mm breed onder een hoek af te snijden, brengt u een recht stuk hout (afstandsstuk) van meer dan 190 mm lang x 45 mm breed aan op de geleideplaat, zoals getoond in de afbeelding. Bevestig dit afstandsstuk met schroeven door de gaten in de geleideplaat. Zorg ervoor dat de doorslijpschijf het afstandsstuk niet raakt wanneer de gereedschapskop omlaag wordt gebracht.

► **Fig.20:** 1. Geleideplaat 2. Afstandsstuk (meer dan 190 mm lang x 45 mm breed)
3. Werkstuk (meer dan 85 mm breed)
4. Bankschroefplaat

► **Fig.21**

Wanneer de doorslijpschijf is afgesleten, verhoogt u de doorslijppositie door een afstandsstuk dat iets smaller is dan het werkstuk te plaatsen, zoals getoond in de afbeelding. Dit helpt u om de schijf economisch te gebruiken.

► **Fig.22:** 1. Bankschroefplaat 2. Diameter van werkstuk 3. Geleideplaat 4. Breedte van afstandsstuk

Een lang werkstuk moet aan beide uiteinden worden ondersteund door steunblokken zodat het werkstuk op gelijke hoogte ligt met de bovenkant van het voetstuk. Gebruik steunblokken van een onbrandbaar materiaal.

► **Fig.23:** 1. Steunblok

Het gereedschap dragen

Klap de gereedschapskop omlaag en vergrendel hem. Draag het gereedschap aan de handgreep.

► **Fig.24**

ONDERHOUD

⚠ LET OP: Zorg altijd dat het gereedschap is uitgeschakeld en zijn stekker uit het stopcontact is verwijderd alvorens te beginnen met inspectie of onderhoud.

KENNISGEVING: Gebruik nooit benzine, wasbenzine, thinner, alcohol en dergelijke. Hierdoor kunnen verkleuring, vervormingen en barsten worden veroorzaakt.

De koolborstels vervangen

► **Fig.25:** 1. Slijtgrensmarkering

Controleer regelmatig de koolborstels.

Vervang ze wanneer ze tot aan de slijtgrensmarkering versleten zijn. Houd de koolborstels schoon, zodat ze gemakkelijk in de houders glijden. Beide koolborstels dienen tegelijkertijd te worden vervangen. Gebruik uitsluitend identieke koolborstels.

1. Gebruik een schroevendraaier om de koolborsteldoppen te verwijderen.
2. Haal de versleten koolborstels eruit, schuif de nieuwe erin, en zet daarna de koolborsteldoppen weer goed vast.

► **Fig.26:** 1. Koolborsteldop

OPTIONELE ACCESSOIRES

⚠ LET OP: Deze accessoires of hulpstukken worden aanbevolen voor gebruik met het Makita gereedschap dat in deze gebruiksaanwijzing is beschreven. Bij gebruik van andere accessoires of hulpstukken bestaat het gevaar van persoonlijke letsel. Gebruik de accessoires of hulpstukken uitsluitend voor hun bestemde doel.

Wenst u meer bijzonderheden over deze accessoires, neem dan contact op met het plaatselijke Makita-servicecentrum.

- Doorslijpschijven
- Dopsleutel (alleen voor LW1401)

OPMERKING: Sommige items op de lijst kunnen zijn inbegrepen in de doos van het gereedschap als standaard toebehoren. Deze kunnen van land tot land verschillen.

ESPECIFICACIONES

Modelo:		LW1400	LW1401
Diámetro del disco		355 mm	
Diámetro del agujero		25,4 mm	
Velocidad en vacío		3.800 min ⁻¹	
Dimensiones (La x An x Al)	Con protector de seguridad tipo europeo	530 mm x 295 mm x 640 mm	500 mm x 295 mm x 640 mm
	Con protector de seguridad distinto del de tipo europeo	530 mm x 290 mm x 640 mm	500 mm x 290 mm x 620 mm
Peso neto	Con protector de seguridad tipo europeo y cubierta inferior	18,7 kg	18,3 kg
Clase de seguridad		II	

- Debido a nuestro continuado programa de investigación y desarrollo, las especificaciones aquí dadas están sujetas a cambios sin previo aviso.
- Las especificaciones pueden ser diferentes de país a país.
- Peso de acuerdo con el procedimiento EPTA 01/2003
- La forma y el peso varían dependiendo de las especificaciones que difieren de un país a otro.

Uso previsto

La herramienta ha sido prevista para cortar materiales férreos con el disco de corte abrasivo apropiado. Siga todas las leyes y reglamentos en cuanto al polvo y la salubridad y seguridad del área de trabajo de su país.

Alimentación

La herramienta deberá ser conectada solamente a una fuente de alimentación de la misma tensión que la indicada en la placa de características, y solamente puede ser utilizada con alimentación de CA monofásica. La herramienta tiene doble aislamiento y puede, por lo tanto, utilizarse también en tomas de corriente sin conductor de tierra.

Para sistemas de distribución públicos de baja tensión de entre 220 V y 250 V

Las operaciones de encendido y apagado de los aparatos eléctricos ocasionan fluctuaciones de tensión. La operación de este dispositivo en condiciones desfavorables de corriente puede afectar adversamente a la operación de otros equipos. Con una impedancia eléctrica igual o inferior a 0,18 ohmios, se puede asumir que no surgirán efectos negativos. La toma de corriente utilizada para este dispositivo deberá estar protegida con un fusible o disyuntor de protección que tenga unas características de desconexión lenta.

Ruido

El nivel de ruido A-ponderado típico determinado de acuerdo con la norma EN61029:

Modelo LW1400

Nivel de presión sonora (L_{pA}) : 102 dB (A)
 Nivel de potencia sonora (L_{WA}) : 110 dB (A)
 Error (K) : 3 dB (A)

Modelo LW1401

Nivel de presión sonora (L_{pA}) : 102 dB (A)
 Nivel de potencia sonora (L_{WA}) : 110 dB (A)
 Error (K) : 3 dB (A)

ADVERTENCIA: Póngase protectores para oídos.

Vibración

El valor total de la vibración (suma de vectores triaxiales) determinado de acuerdo con la norma EN61029:

Modelo LW1400

Emisión de vibración (a_h) : 2,5 m/s² o menos
 Error (K) : 1,5 m/s²

Modelo LW1401

Emisión de vibración (a_h) : 2,5 m/s² o menos
 Error (K) : 1,5 m/s²

NOTA: El valor de emisión de vibración declarado ha sido medido de acuerdo con el método de prueba estándar y se puede utilizar para comparar una herramienta con otra.

NOTA: El valor de emisión de vibración declarado también se puede utilizar en una valoración preliminar de exposición.

ADVERTENCIA: La emisión de vibración durante la utilización real de la herramienta eléctrica puede variar del valor de emisión declarado dependiendo de las formas en las que la herramienta sea utilizada.

ADVERTENCIA: Asegúrese de identificar medidas de seguridad para proteger al operario que estén basadas en una estimación de la exposición en las condiciones reales de utilización (teniendo en cuenta todas las partes del ciclo operativo como las veces cuando la herramienta está apagada y cuando está funcionando en vacío además del tiempo de gatillo).

Declaración de conformidad CE

Para países europeos solamente

Makita declara que la(s) máquina(s) siguiente(s):

Designación de máquina: Tronzadora de Metal

Modelo N°/ Tipo: LW1400, LW1401

Cumplen con las directivas europeas siguientes:

2006/42/CE

Están fabricadas de acuerdo con las normas o docu-

mentos normalizados siguientes: EN60745

El archivo técnico de acuerdo con la norma 2006/42/EC

está disponible en:

Makita, Jan-Baptist Vinkstraat 2, 3070, Bélgica

21.5.2015

Yasushi Fukaya

Director

Makita, Jan-Baptist Vinkstraat 2, 3070, Bélgica

Advertencias de seguridad para herramientas eléctricas en general

⚠️ ADVERTENCIA: Lea todas las advertencias de seguridad y todas las instrucciones. Si no sigue las advertencias e instrucciones podrá resultar en una descarga eléctrica, un incendio y/o heridas graves.

Guarde todas las advertencias e instrucciones para futuras referencias.

El término "herramienta eléctrica" en las advertencias se refiere a su herramienta eléctrica de funcionamiento con conexión a la red eléctrica (con cable) o herramienta eléctrica de funcionamiento a batería (sin cable).

Normas de seguridad adicionales para la herramienta

1. Póngase gafas de protección. Póngase también protección para los oídos durante periodos de operación prolongados.
2. Utilice solamente discos recomendados por el fabricante que tengan una velocidad de operación máxima de al menos tan alta como la marcada en "No Load RPM" (RPM en vacío) en la placa de características de la herramienta. Utilice solamente discos de corte reforzados con fibra de vidrio.
3. Compruebe cuidadosamente el disco por si tiene grietas o daños antes de la operación. Reemplace inmediatamente el disco si está agrietado o dañado.
4. Sujete el disco con cuidado.
5. Utilice solamente las bridas especificadas para esta herramienta.
6. Tenga cuidado de no dañar el eje, las bridas (especialmente la superficie de instalación) o el perno, o el propio disco podrá romperse.
7. Mantenga los protectores en su lugar y en estado de funcionamiento.
8. Sujete el mango firmemente.

9. Mantenga las manos apartadas de las partes giratorias.
10. Asegúrese de que el disco no está haciendo contacto con la pieza de trabajo antes de activar el interruptor.
11. Antes de utilizar la herramienta en la pieza de trabajo definitiva, déjela simplemente funcionar primero durante varios minutos. Observe por si hay ondulación o vibración excesiva que pueda ser causada por una mala instalación o un disco mal equilibrado.
12. Tenga cuidado con las chispas que saltan durante la operación. Éstas pueden causar heridas o prender fuego a materiales combustibles.
13. Retire del área el material o desechos que puedan prender fuego con las chispas. Asegúrese de que no hay nadie en la trayectoria de las chispas. Mantenga a mano un extintor de incendios apropiado cargado.
14. Utilice solamente el borde de corte del disco. No utilice nunca la superficie lateral.
15. Si el disco se para durante la operación, hace un ruido extraño o empieza a vibrar, apague la herramienta inmediatamente.
16. Siempre apague y espere hasta que el disco se pare completamente antes de retirar o sujetar la pieza de trabajo, la mordaza de trabajo, cambiar la posición de trabajo, el ángulo o el propio disco.
17. No toque la pieza de trabajo inmediatamente después de la operación; estará muy caliente y podrá quemarle la piel.
18. Guarde los discos en un lugar seco solamente.
19. Asegúrese de que las aberturas de ventilación están despejadas cuando trabaje en condiciones polvorientas. Si fuera necesario retirar el polvo, primero desconecte la herramienta de la toma de corriente (utilice objetos no metálicos) y evite dañar las partes internas.

GUARDE ESTAS INSTRUCCIONES.

INSTALACIÓN

⚠️ ADVERTENCIA: Esta herramienta produce chispas cuando corta una pieza de trabajo. No instale esta herramienta en un lugar en el que materiales inflamables y/o explosivos puedan prender fuego con las chispas producidas por la herramienta. Asegúrese también de que no hay cerca de la herramienta tal material antes de comenzar la operación.

Sujeción de la base

Esta herramienta se deberá fijar con dos pernos en una superficie nivelada y estable utilizando los agujeros para pernos provistos en la base de la herramienta. Esto ayudará a evitar que se vuelque y pueda ocasionar heridas personales.

► Fig.1: 1. Agujeros para pernos 2. Base

DESCRIPCIÓN DEL FUNCIONAMIENTO

⚠PRECAUCIÓN: Asegúrese siempre de que la herramienta está apagada y desenchufada antes de intentar realizar cualquier tipo de ajuste o comprobación en ella.

Desbloqueo/bloqueo del cabezal de la herramienta

El cabezal de la herramienta se puede bloquear. Bloquee siempre el cabezal de la herramienta cuando no la esté utilizando o la transporte.

Para LW1400

Para desbloquear, baje ligeramente el cabezal de la herramienta y empuje el pasador de bloqueo. Para bloquear, retorne el pasador de bloqueo mientras mantiene bajado el cabezal de la herramienta.

► **Fig.2:** 1. Pasador de bloqueo

Para LW1401

Desenganche la cadena de bloqueo del gancho. Enganche siempre la cadena de bloqueo en el gancho cuando no esté utilizando la herramienta.

► **Fig.3:** 1. Gancho 2. Cadena de bloqueo

Accionamiento del interruptor

⚠ADVERTENCIA: Antes de enchufar la herramienta, compruebe siempre para cerciorarse de que el gatillo interruptor se acciona debidamente y que vuelve a la posición "OFF" cuando lo suelta.

► **Fig.4:** 1. Botón de bloqueo / botón de desbloqueo
2. Gatillo interruptor

Para herramienta con botón de bloqueo

Para poner en marcha la herramienta, simplemente apriete el gatillo interruptor. Suelte el gatillo interruptor para parar. Para una operación continua, apriete el gatillo interruptor, empuje hacia dentro el botón de bloqueo y después suelte el gatillo interruptor. Para parar la herramienta estando en la posición bloqueada, apriete el gatillo completamente, después suéltelo.

⚠PRECAUCIÓN: El interruptor puede ser bloqueado en la posición "Encendida" para mayor comodidad del operario durante una utilización prolongada. Tenga precaución cuando bloquee la herramienta en la posición "Encendida" y mantenga la herramienta firmemente empuñada.

Para herramienta con botón de desbloqueo

Para evitar que el gatillo interruptor pueda accionarse accidentalmente, se ha provisto un botón de desbloqueo. Para poner en marcha la herramienta, presione el botón de desbloqueo y apriete el gatillo interruptor. Suelte el gatillo interruptor para parar.

⚠ADVERTENCIA: No anule NUNCA la función del botón de desbloqueo sujetándolo con cinta adhesiva o alguna otra manera. Un interruptor con un botón de desbloqueo anulado puede resultar en una puesta en marcha involuntaria y a heridas personales graves.

⚠ADVERTENCIA: No utilice NUNCA la herramienta si se pone en marcha cuando usted simplemente aprieta el gatillo interruptor sin presionar el botón de desbloqueo. Un interruptor con necesidad de reparación puede resultar en una puesta en marcha involuntaria y a heridas personales graves. Lleve la herramienta a un centro de servicio Makita para que le hagan las reparaciones apropiadas ANTES de seguir utilizándola.

AVISO: No apriete con fuerza el gatillo interruptor sin presionar hacia dentro el botón de desbloqueo. Podría romper el interruptor.

Intervalo entre la mordaza y la placa guía

⚠PRECAUCIÓN: Después de ajustar el intervalo entre la mordaza y la placa guía, asegúrese de que la placa guía está sujeta debidamente. Una fijación insuficiente puede resultar en heridas personales.

Hay disponibles los ajustes de intervalo siguientes para la mordaza:

- 0 - 170 mm (ajuste original)
- 35 - 205 mm
- 70 - 240 mm

Si su tarea requiere un ajuste diferente, proceda de la forma siguiente para cambiar el espaciamiento o intervalo.

Para LW1400

Afije el tornillo de la placa guía. Mueva la placa guía hasta la posición deseada y después apriete el tornillo.

► **Fig.5:** 1. Tornillo 2. Placa guía

Para LW1401

Retire los dos pernos hexagonales utilizando una llave de tubo. Mueva la placa guía hasta la posición deseada y sujétala con los pernos hexagonales.

► **Fig.6:** 1. Placa guía 2. Pernos hexagonales

Ajuste del ángulo de corte

⚠PRECAUCIÓN: Después de ajustar el ángulo de la placa guía, asegúrese de que la placa guía está sujeta debidamente. Una fijación insuficiente puede resultar en heridas personales.

Para LW1400

Gire la palanca hacia la izquierda. Mueva la placa guía hasta el ángulo deseado y apriete la palanca completamente.

► **Fig.7:** 1. Placa guía 2. Palanca

AVISO: Cuando realice corte en inglete derecho, ajuste siempre la placa guía en la posición 0 - 170 mm. El ajuste en la posición de 35 - 205 mm o 70 - 240 mm obstaculiza el movimiento de la placa de retención, que resulta en un corte fallido.

Afloje los dos pernos hexagonales utilizando una llave de tubo. Gire la placa guía hasta el ángulo deseado y sujétala con los pernos hexagonales. Tenga cuidado de no mover el ángulo ajustado mientras sujeta los pernos hexagonales.

► Fig.8: 1. Placa guía 2. Pernos hexagonales

NOTA: La escala de la placa guía es solamente una indicación aproximada. Para un ángulo más preciso, utilice un transportador o una escuadra. Mantenga el mango bajado de forma que el disco de corte se prolongue al interior de la base. Al mismo tiempo, ajuste el ángulo entre la placa guía y el disco de corte con un transportador o escuadra.

Ajuste del parachispas

Para LW1401 solamente (específico para cada país)

► Fig.9: 1. Tornillo 2. Parachispas

El parachispas se instala en fábrica con su borde inferior haciendo contacto con la base. Si se utiliza la herramienta en esta posición ocasionará que salten muchas chispas. Afloje el tornillo y ajuste el parachispas en una posición en la que salte el mínimo de chispas.

Placa de retención

Para LW1401 solamente (específico para cada país)

► Fig.10: 1. Placa de retención

La placa de retención evita que el disco de corte haga contacto con el banco de trabajo o el suelo. Cuando instale un disco de corte nuevo, ajuste la placa de retención en la posición (A). Cuando el disco de corte se desgaste en la medida en que la porción inferior de la pieza de trabajo sea dejada sin cortar, ajuste la placa de retención en la posición (B) para permitir una mayor capacidad de corte con un disco desgastado.

MONTAJE

PRECAUCIÓN: Asegúrese siempre de que la herramienta está apagada y desenchufada antes de realizar cualquier trabajo en la herramienta.

Apertura del protector de seguridad tipo cubierta central

Específico para cada país

Para las herramientas con protector de seguridad tipo cubierta central, afloje el tornillo de fijación primero y después suba el protector.

► Fig.11: 1. Tornillo de fijación

Apertura del protector de seguridad tipo europeo

Específico para cada país

Para las herramientas con protector de seguridad tipo europeo, afloje el tornillo de fijación primero y después abra el protector como se muestra.

► Fig.12: 1. Tornillo de fijación

► Fig.13

► Fig.14

Desmontaje o instalación del disco de corte

PRECAUCIÓN: Asegúrese de apretar la pinza manual o perno hexagonal firmemente. Un apriete insuficiente puede resultar en heridas graves. Cuando apriete el perno hexagonal, utilice la llave de tubo provista con la herramienta para asegurar un apriete correcto.

PRECAUCIÓN: Utilice siempre únicamente las bridas interior y exterior correctas que se proveen con esta herramienta.

PRECAUCIÓN: Baje siempre la protector de seguridad después de reemplazar el disco.

► Fig.15: 1. Brida interior 2. Anillo 3. Junta tórica 4. Disco de corte 5. Brida exterior 6. Pinza manual / Perno hexagonal

Para LW1400

Suba el protector de seguridad. Gire la pinza manual hacia la izquierda mientras mantiene bajado el bloqueo del eje. Después retire la pinza manual, la brida exterior y el disco de corte. Cuando retire el disco de corte, no retire la brida interior, así como el anillo y la junta tórica.

► Fig.16: 1. Bloqueo del eje 2. Pinza manual

Para instalar el disco de corte, siga los procedimientos de desmontaje a la inversa. Asegúrese de encajar el agujero del disco de corte en el anillo y retornar el protector de seguridad.

Para LW1401

Suba el protector de seguridad. Gire el perno hexagonal hacia la izquierda utilizando una llave de tubo mientras mantiene bajado el bloqueo del eje. Después retire el perno hexagonal, la brida exterior y el disco.

► Fig.17: 1. Bloqueo del eje 2. Perno hexagonal

Para instalar el disco, siga los procedimientos de desmontaje a la inversa. Asegúrese de encajar el agujero del disco de corte en el anillo y retornar el protector de seguridad.

OPERACIÓN

⚠PRECAUCIÓN: La presión apropiada sobre el mango durante el corte y la máxima eficacia de corte se pueden determinar mediante la cantidad de chispas que se producen durante el corte. No fuerce el corte aplicando presión excesiva sobre el mango. Puede resultar en una menor eficacia de corte, desgaste prematuro del disco, así como posibles daños a la herramienta, el disco de corte o la pieza de trabajo.

Sujete el mango firmemente. Encienda la herramienta y espere hasta que el disco haya alcanzado plena velocidad antes de bajar con cuidado hasta el corte. Cuando el disco entre en contacto con la pieza de trabajo, empuje el mango hacia abajo gradualmente para realizar el corte. Cuando haya completado el corte, apague la herramienta y espere hasta que el disco se haya parado completamente antes de retornar el mango a la posición completamente elevada.

Capacidad de corte

La capacidad de corte máxima varía dependiendo del ángulo de corte y la forma de la pieza de trabajo.

Capacidad de corte máxima con un disco de corte completamente nuevo

Ángulo de corte / Forma de la pieza de trabajo	90°	45°
	127 mm	127 mm
	115 x 130 mm 102 x 194 mm 70 x 233 mm	115 x 103 mm
	119 x 119 mm	106 x 106 mm
	137 x 137 x 10 mm	100 x 100 x 10 mm

Sujeción de la pieza de trabajo

⚠PRECAUCIÓN: Ponga siempre el soporte de rosca en la rosca del eje cuando sujete la pieza de trabajo. En caso contrario podrá resultar en una insuficiente sujeción de la pieza de trabajo. Esto puede ocasionar que la pieza de trabajo salga expulsada o una peligrosa rotura del disco.

Mientras el soporte de rosca está levantado, la placa de mordaza se puede mover hacia dentro y afuera rápidamente. Para sujetar una pieza de trabajo, empuje el mango hasta que la placa de mordaza haga contacto

con la pieza de trabajo y después retorne el soporte de rosca. Gire el mango hacia la derecha hasta que la pieza de trabajo esté retenida firmemente.

► Fig.18: 1. Soporte de rosca 3. Placa de mordaza

Cuando el disco de corte se haya desgastado considerablemente, ponga un bloque espaciador detrás de la pieza de trabajo como se muestra en la figura. Podrá utilizar más eficazmente el disco desgastado utilizando el punto medio de la periferia del disco para cortar la pieza de trabajo. Utilice un material robusto y no inflamable para el bloque espaciador.

► Fig.19: 1. Bloque espaciador

Cuando corte piezas de trabajo de más de 85 mm de ancho en ángulo, coloque una pieza de madera recta (espaciador) de más de 190 mm de largo x 45 mm de ancho en la placa guía como se muestra en la figura. Coloque este espaciador con tornillos a través de los agujeros en la placa guía. Asegúrese de que el disco de corte no hace contacto con el espaciador cuando el cabezal de la herramienta está bajado.

► Fig.20: 1. Placa guía 2. Bloque espaciador (más de 190 mm de largo x45 mm de ancho) 3. Pieza de trabajo (más de 85 mm de ancho) 4. Placa de mordaza

► Fig.21

Cuando el disco de corte se haya desgastado, suba la posición de corte poniendo un bloque espaciador que sea ligeramente más estrecho que la pieza de trabajo como se muestra en la figura. Esto le ayudará a utilizar el disco económicamente.

► Fig.22: 1. Placa de mordaza 2. Diámetro de la pieza de trabajo 3. Placa guía 4. Anchura del bloque espaciador

Las piezas de trabajo largas deberán ser apoyadas sobre bloques a cada lado de forma que queden a nivel con la parte superior de la base. Utilice un material no inflamable para los bloques de apoyo.

► Fig.23: 1. Bloque de apoyo

Transporte de la herramienta

Pliegue hacia abajo el cabezal de la herramienta y bloquéelo. Sujete por el mango cuando transporte.

► Fig.24

MANTENIMIENTO

⚠PRECAUCIÓN: Asegúrese siempre de que la herramienta está apagada y desenchufada antes de intentar realizar la inspección o el mantenimiento.

AVISO: No utilice nunca gasolina, bencina, disolvente, alcohol o similares. Podría producir descoloración, deformación o grietas.

Reemplazo de las escobillas de carbón

► Fig.25: 1. Marca de límite

Compruebe las escobillas de carbón regularmente. Reemplácelas cuando se hayan gastado hasta la marca límite. Mantenga las escobillas de carbón limpias de forma que entren libremente en los portaescobillas. Ambas escobillas de carbón deberán ser reemplazadas al mismo tiempo. Utilice solamente escobillas de carbón idénticas.

1. Utilice un destornillador para retirar los tapones portaescobillas.
2. Extraiga las escobillas de carbón desgastadas, inserte las nuevas y sujete los tapones portaescobillas.

► Fig.26: 1. Tapón portaescobillas

ACCESORIOS OPCIONALES

⚠PRECAUCIÓN: Estos accesorios o aditamentos están recomendados para su uso con la herramienta Makita especificada en este manual.

El uso de cualquier otro accesorio o aditamento puede suponer un riesgo de heridas personales. Utilice el accesorio o aditamento solamente con la finalidad indicada para el mismo.

Si necesita cualquier ayuda para más detalles en relación con estos accesorios, pregunte al centro de servicio Makita local.

- Discos de corte abrasivo
- Llave de tubo (para LW1401 solamente)

NOTA: Algunos elementos de la lista podrán estar incluidos en el paquete de la herramienta como accesorios estándar. Pueden variar de un país a otro.

ESPECIFICAÇÕES

Modelo:		LW1400	LW1401
Diâmetro do disco		355 mm	
Diâmetro do orifício		25,4 mm	
Velocidade em vazio		3.800 min ⁻¹	
Dimensões (C x L x A)	Com resguardo de segurança de tipo europeu	530 mm x 295 mm x 640 mm	500 mm x 295 mm x 640 mm
	Com resguardo de segurança diferente do tipo europeu	530 mm x 290 mm x 640 mm	500 mm x 290 mm x 620 mm
Peso líquido	Com resguardo de segurança de tipo europeu e tampa inferior	18,7 kg	18,3 kg
Classe de segurança		II	

- Devido a um programa contínuo de pesquisa e desenvolvimento, estas especificações podem ser alteradas sem aviso prévio.
- As especificações podem variar de país para país.
- Peso de acordo com o Procedimento 01/2003 da EPTA (European Power Tool Association)
- A forma e peso variam dependendo das especificações que diferem de país para país.

Utilização a que se destina

A ferramenta foi concebida para corte de materiais ferrosos com disco de corte abrasivo apropriado. Observe todas as leis e regulamentos do seu país relativos à poeira e à saúde e segurança na área de trabalho.

Alimentação

A ferramenta só deve ser ligada a uma fonte de alimentação com a mesma tensão da indicada na placa de características, e só funciona com alimentação de corrente alterna (CA) monofásica. Tem um sistema de isolamento duplo e pode, por isso, utilizar tomadas sem ligação à terra.

Para sistemas públicos de distribuição de baixa tensão entre 220 V e 250 V

Alternar a operação de aparelhos elétricos pode provocar flutuações de tensão. A operação deste aparelho sob condições de alimentação elétrica desfavoráveis pode ter efeitos adversos na operação de outro equipamento. Com uma impedância de alimentação igual ou inferior a 0,18 Ohms pode-se presumir que não haverá efeitos negativos. A tomada de alimentação utilizada para este aparelho tem de estar protegida com um fusível ou um disjuntor de proteção de circuito com características de disparo lentas.

Ruído

A característica do nível de ruído A determinado de acordo com a EN61029:

Modelo LW1400

Nível de pressão acústica (L_{pA}): 102 dB (A)

Nível de potência acústica (L_{WA}): 110 dB (A)

Variabilidade (K): 3 dB (A)

Modelo LW1401

Nível de pressão acústica (L_{pA}): 102 dB (A)

Nível de potência acústica (L_{WA}): 110 dB (A)

Variabilidade (K): 3 dB (A)

AVISO: Utilize protetores auriculares.

Vibração

Valor total da vibração (soma vetorial tri-axial) determinado de acordo com a EN61029:

Modelo LW1400

Emissão de vibração (a_h): 2,5 m/s² ou menos

Variabilidade (K): 1,5 m/s²

Modelo LW1401

Emissão de vibração (a_h): 2,5 m/s² ou menos

Variabilidade (K): 1,5 m/s²

NOTA: O valor da emissão de vibração indicado foi medido de acordo com o método de teste padrão e pode ser utilizado para comparar duas ferramentas.

NOTA: O valor da emissão de vibração indicado pode também ser utilizado na avaliação preliminar da exposição.

AVISO: A emissão de vibração durante a utilização real da ferramenta elétrica pode diferir do valor de emissão indicado, dependendo das formas como a ferramenta é utilizada.

AVISO: Certifique-se de identificar as medidas de segurança para proteção do operador que sejam baseadas em uma estimativa de exposição em condições reais de utilização (considerando todas as partes do ciclo de operação, tal como quando a ferramenta está desligada e quando está a funcionar em marcha lenta além do tempo de acionamento).

Declaração de conformidade CE

Só para países Europeus

A Makita declara que a(s) seguinte(s) máquina(s):

Designação da ferramenta: Serra Rápida Portátil
N.º/ Tipo de modelo: LW1400, LW1401

Em conformidade com as seguintes diretivas europeias: 2006/42/CE

São fabricadas de acordo com as seguintes normas ou documentos normalizados: EN60745

O ficheiro técnico, que está em conformidade com a 2006/42/EC, está disponível em:

Makita, Jan-Baptist Vinkstraat 2, 3070, Bélgica
21.5.2015

Yasushi Fukaya

Diretor

Makita, Jan-Baptist Vinkstraat 2, 3070, Bélgica

Avisos gerais de segurança para ferramentas elétricas

⚠️ AVISO: Leia todos os avisos de segurança e todas as instruções. O não cumprimento de todos os avisos e instruções pode originar choque elétrico, incêndio e/ou ferimentos graves.

Guarde todos os avisos e instruções para futuras referências.

O termo “ferramenta elétrica” nos avisos refere-se às ferramentas elétricas ligadas à corrente elétrica (com cabo) ou às ferramentas elétricas operadas por meio de bateria (sem cabo).

Regras adicionais de segurança para a ferramenta

1. Use óculos protetores. Utilize também protetores para os ouvidos quando trabalhar durante longos períodos.
2. Utilize apenas discos recomendados pelo fabricante que tenham uma velocidade máxima de operação pelo menos tão alta quanto a indicação em “No Load RPM” (rotações em vazio) na placa de características da ferramenta. Utilize apenas discos de corte reforçados com fibra de vidro.
3. Antes da operação, verifique cuidadosamente o disco para ver se apresenta fissuras ou danos. Substitua imediatamente os discos com fissuras ou danificados.
4. Prenda o disco cuidadosamente.
5. Utilize só as flanges especificadas para esta ferramenta.
6. Tenha cuidado para não danificar o veio, as flanges (especialmente a superfície de encosto) ou o perno, pois o próprio disco pode partir.
7. Mantenha os resguardos no lugar e em boas condições de funcionamento.
8. Segure a pega firmemente.

9. Mantenha as mãos afastadas das peças em rotação.
10. Certifique-se de que o disco não está em contacto com a peça de trabalho antes de ligar o interruptor.
11. Antes de utilizar a ferramenta numa peça de trabalho deixe-a a funcionar em vazio durante vários minutos. Preste atenção a movimentos irregulares ou vibrações excessivas que possam indicar má instalação ou desequilíbrio do disco.
12. Tenha cuidado com as faíscas quando está a trabalhar. Podem provocar ferimentos ou incendiar materiais combustíveis.
13. Retire materiais ou fragmentos da área que pode ser atingida pelas faíscas. Certifique-se de que não está ninguém num local onde possa ser atingido pelas faíscas. Mantenha um extintor de incêndios em condições de funcionamento num local próximo.
14. Utilize apenas a extremidade de corte do disco. Nunca utilize a superfície lateral.
15. Se o disco parar durante a operação, produzir um ruído anormal ou começar a vibrar, desligue imediatamente a ferramenta.
16. Desligue sempre a ferramenta e espere que o disco esteja completamente parado antes de retirar ou prender a peça de trabalho, o torno de trabalho, mudar a posição de trabalho, o ângulo ou o próprio disco.
17. Não toque na peça de trabalho imediatamente depois da operação; está extremamente quente e pode provocar queimaduras.
18. Guarde os discos só em locais secos.
19. Certifique-se de que as aberturas de ventilação estão livres quando trabalha em condições poeirentas. Se for necessário retirar o pó, desligue primeiro a ferramenta da alimentação elétrica (não utilize objetos metálicos) e evite danificar as peças internas.

GUARDE ESTAS INSTRUÇÕES.

INSTALAÇÃO

⚠️ AVISO: Esta ferramenta produz faíscas durante o corte de uma peça de trabalho. Não instale esta ferramenta num local onde estejam materiais inflamáveis e/ou explosivos que possam incendiar-se com as faíscas libertadas pela ferramenta. Certifique-se ainda de que não existe este tipo de material perto da ferramenta antes de iniciar a operação.

Fixar a base

Esta ferramenta deve ser presa com dois pernos numa superfície nivelada e estável utilizando os orifícios para pernos existentes na base da ferramenta. Isto ajudará a evitar que a ferramenta tombe e provoque ferimentos.

► Fig.1: 1. Orifícios para pernos 2. Base

DESCRIÇÃO FUNCIONAL

⚠️PRECAUÇÃO: Certifique-se sempre de que a ferramenta está desligada e com a ficha retirada da tomada, antes de proceder a afinações ou de verificar o funcionamento da respetiva ferramenta.

Desbloquear/Bloquear a cabeça da ferramenta

A cabeça da ferramenta pode ser bloqueada. Bloquee sempre a cabeça da ferramenta quando não estiver a utilizá-la ou quando a transportar.

Para LW1400

Para desbloquear, pressione ligeiramente a cabeça da ferramenta e empurre o pino de bloqueio. Para bloquear, volte a colocar o pino de bloqueio ao mesmo tempo que mantém a cabeça da ferramenta em baixo.

► **Fig.2:** 1. Pino de bloqueio

Para LW1401

Desenganche a corrente de bloqueio do gancho. Enganche sempre a corrente de bloqueio no gancho quando não estiver a utilizá-la.

► **Fig.3:** 1. Gancho 2. Corrente de bloqueio

Ação do interruptor

⚠️AVISO: Antes de ligar a ferramenta à corrente, verifique sempre se o gatilho funciona corretamente e volta para a posição "OFF" quando libertado.

► **Fig.4:** 1. Botão de bloqueio / Botão de desbloqueio
2. Gatilho

Para ferramentas com botão de bloqueio

Para pôr a ferramenta a funcionar, basta puxar o gatilho. Liberte o gatilho para parar. Para um funcionamento contínuo, puxe o gatilho, empurre o botão de bloqueio para dentro e, depois, solte o gatilho. Para parar a ferramenta a partir da posição de bloqueada, puxe o gatilho até ao fim, depois solte-o.

⚠️PRECAUÇÃO: O interruptor pode ser bloqueado na posição de ligado para facilidade e conforto do utilizador durante uma utilização alargada. Tenha todo o cuidado quando bloquear a ferramenta na posição de ligado e mantenha a ferramenta firmemente segura em posição.

Para ferramentas com botão de desbloqueio

Para evitar que o gatilho seja puxado acidentalmente, a ferramenta está equipada com um botão de desbloqueio. Para arrancar a ferramenta, pressione o botão de desbloqueio e puxe o gatilho. Liberte o gatilho para parar.

⚠️AVISO: NUNCA tente anular o botão de desbloqueio dando-lhe pancadas para baixo nem por qualquer outro meio. Um interruptor com um botão de desbloqueio anulado pode resultar em operação não intencional e em ferimentos pessoais graves.

⚠️AVISO: NUNCA utilize a ferramenta se ela funcionar premindo apenas o gatilho, sem ter de carregar no botão de desbloqueio. Um interruptor que necessita de reparação pode resultar em operação não intencional e em ferimentos pessoais graves. Envie a ferramenta para um centro de assistência da Makita para receber uma reparação adequada ANTES de voltar a utilizá-la.

⚠️OBSERVAÇÃO: Não carregue a fundo o gatilho sem pressionar o botão de segurança. Esta ação pode estragar o interruptor.

Intervalo entre o torno e a placa guia

⚠️PRECAUÇÃO: Depois de ajustar o intervalo entre o torno e a placa guia, certifique-se de que a placa guia está bem presa. Se não ficar bem presa, pode resultar em ferimentos pessoais.

É possível regular os seguintes intervalos do torno:

- 0 - 170 mm (regulação original)
- 35 - 205 mm
- 70 - 240 mm

Se o seu trabalho necessitar de uma regulação diferente, faça o seguinte para alterar o espaço ou o intervalo.

Para LW1400

Solte o parafuso na placa guia. Mova a placa guia para a posição pretendida, depois, aperte o parafuso.

► **Fig.5:** 1. Parafuso 2. Placa guia

Para LW1401

Retire os dois pernos hexagonais com uma chave de caixa. Mova a placa guia para a posição pretendida e prenda-a utilizando os pernos hexagonais.

► **Fig.6:** 1. Placa guia 2. Pernos hexagonais

Ajuste do ângulo de corte

⚠️PRECAUÇÃO: Depois de ajustar o ângulo da placa guia, certifique-se de que a placa guia está bem presa. Se não ficar bem presa, pode resultar em ferimentos pessoais.

Para LW1400

Gire a alavanca para a esquerda. Mova a placa guia para o ângulo pretendido e aperte a alavanca até ao fim.

► **Fig.7:** 1. Placa guia 2. Alavanca

OBSERVAÇÃO: Quando estiver a realizar um corte de esquadria à direita, coloque sempre a placa guia na posição dos 0 - 170 mm. Se a colocar na posição dos 35 - 205 mm ou 70 - 240 mm estorvam o movimento da placa de batente e que resulta num corte falhado.

Solte os dois pernos hexagonais com uma chave de caixa. Rode a placa guia para o ângulo pretendido e prenda-a utilizando os pernos hexagonais. Tenha cuidado para não mover o ângulo regulado enquanto aperta os pernos hexagonais.

► Fig.8: 1. Placa guia 2. Pernos hexagonais

NOTA: A escala na placa guia é apenas uma indicação aproximada. Para obter um ângulo mais preciso, use um transferidor ou um esquadro. Mantenha a pega abaixada de forma que o disco de corte se estenda até a base. Ao mesmo tempo, regule o ângulo entre a placa guia e o disco de corte com um transferidor ou esquadro.

Ajuste do resguardo para faíscas

Apenas para LW1401 (específico para o país)

► Fig.9: 1. Parafuso 2. Resguardo para faíscas

O resguardo para faíscas foi instalado na fábrica com a extremidade inferior tocando a base. Operar a ferramenta nesta posição provocará muitas faíscas aerotransportadas. Desaperte o parafuso e ajuste o resguardo para faíscas numa posição onde ocorra o mínimo de faíscas aerotransportadas.

Placa de batente

Apenas para LW1401 (específico para o país)

► Fig.10: 1. Placa de batente

A placa de batente impede que o disco de corte entre em contacto com a bancada de trabalho ou com o chão. Quando é instalada um novo disco de corte, regule a placa de batente para a posição (A). Quando o disco de corte fica desgastado ao ponto de a parte inferior da peça de trabalho já não ser cortada, regule a placa de batente para a posição (B) para permitir uma capacidade de corte aumentada com um disco desgastado.

MONTAGEM

PRECAUÇÃO: Certifique-se sempre de que a ferramenta está desligada e com a ficha retirada da tomada antes de executar quaisquer trabalhos na ferramenta.

Abrir o resguardo de segurança de tipo tampa central

Específico para o país

Para as ferramentas equipadas com um resguardo de segurança do tipo tampa central, solte primeiro o parafuso de fixação, depois, levante o resguardo.

► Fig.11: 1. Parafuso de fixação

Abrir o resguardo de segurança de tipo europeu

Específico para o país

Para as ferramentas equipadas com um resguardo de segurança do tipo europeu, solte primeiro o parafuso de fixação, depois, abra o resguardo como indicado.

► Fig.12: 1. Parafuso de fixação

► Fig.13

► Fig.14

Remover ou instalar o disco de corte

PRECAUÇÃO: Certifique-se de que aperta firmemente a braçadeira de aperto sem ferramenta ou o perno hexagonal. Se não ficar bem presa, pode resultar em ferimentos graves. Quando apertar o perno hexagonal, utilize a chave de caixa fornecida com a ferramenta para assegurar um aperto correto.

PRECAUÇÃO: Utilize sempre as flanges interior e exterior adequadas que foram fornecidas com a ferramenta.

PRECAUÇÃO: Baixe sempre o resguardo de segurança depois de voltar a colocar o disco.

► Fig.15: 1. Flange interior 2. Anel 3. Anel em O 4. Disco de corte 5. Flange exterior 6. Braçadeira de aperto sem ferramenta / Perno hexagonal

Para LW1400

Levantar o resguardo de segurança. Rode a braçadeira de aperto sem ferramenta para a esquerda enquanto mantém o bloqueio do eixo para baixo. Em seguida, retire a braçadeira de aperto sem ferramenta, a flange exterior e o disco de corte. Quando remover o disco de corte, não retire a flange interior, o anel nem o anel em O.

► Fig.16: 1. Bloqueio do eixo 2. Braçadeira de aperto sem ferramenta

Para instalar o disco de corte, siga os procedimentos de remoção pela ordem inversa. Certifique-se de que ajusta o orifício do disco de corte no anel e volte a colocar o resguardo de segurança.

Para LW1401

Levante o resguardo de segurança. Rode o perno hexagonal para a esquerda com uma chave de caixa enquanto mantém o bloqueio do eixo para baixo. Em seguida, retire o perno hexagonal, a flange exterior e o disco.

► Fig.17: 1. Bloqueio do eixo 2. Perno hexagonal

Para instalar o disco, execute os procedimentos de remoção pela ordem inversa. Certifique-se de que ajusta o orifício do disco de corte no anel e volte a colocar o resguardo de segurança.

OPERAÇÃO

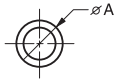
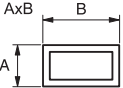
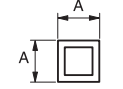

⚠️PRECAUÇÃO: A pressão adequada na pega durante o corte e a máxima eficiência de corte podem ser determinadas pela quantidade de faíscas produzidas durante o corte. Não force para cortar, exercendo pressão excessiva na pega. Poderá resultar em eficácia reduzida de corte, desgaste prematuro do disco, assim como possíveis danos na ferramenta, disco de corte ou peça de trabalho.

Segure a pega firmemente. Ligue a ferramenta e espere até que o disco atinja a velocidade máxima antes de o baixar devagar para cortar. Quando o disco tocar na peça de trabalho, pressione gradualmente a pega para executar o corte. Quando terminar de cortar, desligue a ferramenta e **espere até o disco estar completamente parado** antes de voltar a colocar a pega para a posição de totalmente elevada.

Capacidade de corte

A capacidade máxima de corte varia de acordo com o ângulo de corte e com a forma da peça de trabalho.

Capacidade máxima de corte com um disco de corte totalmente novo

Ângulo de corte/ Forma da peça de trabalho	90°	45°
	127 mm	127 mm
	115 x 130 mm 102 x 194 mm 70 x 233 mm	115 x 103 mm
	119 x 119 mm	106 x 106 mm
	137 x 137 x 10 mm	100 x 100 x 10 mm

Prender a peça de trabalho

⚠️PRECAUÇÃO: Coloque sempre o suporte roscado nas roscas do eixo quando prender a peça de trabalho. Caso contrário, a peça de trabalho pode não ficar bem presa. Isso pode fazer com que a peça de trabalho seja ejetada ou provoca a quebra perigosa do disco.

Enquanto o suporte roscado é levantado, a placa do torno pode ser movida para dentro e para fora rapidamente. Para prender a peça de trabalho, empurre a pega até a placa do torno entrar em contacto com a peça de trabalho, depois, voltar a colocar o suporte

roscado. Rode a pega para a direita até a peça de trabalho ficar retida em segurança.

► **Fig.18:** 1. Pega 2. Suporte roscado 3. Placa do torno

Depois de o disco de corte estar muito gasto, coloque um bloco espaçador por trás da peça de trabalho como indicado na ilustração. Pode utilizar o disco gasto mais eficientemente utilizando o ponto médio na periferia do disco para cortar a peça de trabalho. Utilize um material robusto e não inflamável como bloco espaçador.

► **Fig.19:** 1. Bloco espaçador

Quando cortar peças de trabalho com mais de 85 mm de largura em ângulo, prenda um pedaço de madeira direita (espaçador) com mais de 190 mm de comprimento x 45 mm de largura à placa guia como apresentado na ilustração. Prenda este espaçador com parafusos através dos orifícios na placa guia. Certifique-se de que o disco de corte não está em contacto com o espaçador quando a cabeça da ferramenta é empurrada para baixo.

► **Fig.20:** 1. Placa guia 2. Bloco espaçador (mais de 190 mm de comprimento x45 mm de largura) 3. Peça de trabalho (mais de 85 mm de largura) 4. Placa do torno

► **Fig.21**

Quando o disco de corte estiver muito gasto, suba a posição de corte colocando um bloco espaçador ligeiramente mais estreito do que a peça de trabalho, como indicado na ilustração. Isto ajuda-o a utilizar o disco de forma económica.

► **Fig.22:** 1. Placa do torno 2. Diâmetro da peça de trabalho 3. Placa guia 4. Largura do bloco espaçador

As peças de trabalho compridas devem ser apoiadas por blocos de ambos os lados para que fique nivelado com o topo da base. Utilize um material não inflamável como blocos de suporte.

► **Fig.23:** 1. Bloco de suporte

Transporte da ferramenta

Dobre a cabeça da ferramenta para baixo e bloqueie-a. Segure na pega quando transportar.

► **Fig.24**

MANUTENÇÃO

⚠️PRECAUÇÃO: Certifique-se sempre de que a ferramenta está desligada e com a ficha retirada da tomada antes de tentar proceder à inspeção ou à manutenção.

OBSERVAÇÃO: Nunca utilize gasolina, benzina, diluente, álcool ou produtos semelhantes. Pode ocorrer a descoloração, deformação ou rachaduras.

Substituição das escovas de carvão

► Fig.25: 1. Marca limite

Verifique regularmente as escovas de carvão. Substitua-as quando estiverem gastas até à marca limite. Mantenha as escovas de carvão limpas e a deslizarem nos suportes. As duas escovas de carvão devem ser substituídas ao mesmo tempo. Só utilize escovas de carvão idênticas.

1. Utilize uma chave de parafusos para retirar as tampas do suporte das escovas.
2. Retire as escovas de carvão usadas, coloque as novas e prenda as tampas do suporte das escovas.

► Fig.26: 1. Tampa do suporte das escovas

ACESSÓRIOS OPCIONAIS

⚠PRECAUÇÃO: Estes acessórios ou peças são recomendados para utilização com a ferramenta Makita especificada neste manual. A utilização de outros acessórios ou peças pode ser perigosa para as pessoas. Utilize apenas acessórios ou peças para os fins indicados.

Se necessitar de informações adicionais relativas a estes acessórios, solicite-as ao seu centro de assistência Makita.

- Discos de corte abrasivos
- Chave de caixa (apenas para LW1401)

NOTA: Alguns itens da lista podem estar incluídos na embalagem da ferramenta como acessórios padrão. Eles podem variar de país para país.

SPECIFIKATIONER

Model:		LW1400	LW1401
Skivediameter		355 mm	
Huldiameter		25,4 mm	
Ubelastet hastighed		3.800 min ⁻¹	
Mål (L x B x H)	Med beskyttelseskærm af europæisk type	530 mm x 295 mm x 640 mm	500 mm x 295 mm x 640 mm
	Med beskyttelseskærm af ikke-europæisk type	530 mm x 290 mm x 640 mm	500 mm x 290 mm x 620 mm
Nettovægt	Med beskyttelseskærm af europæisk type og underdæksel	18,7 kg	18,3 kg
Sikkerhedsklasse		□/II	

- På grund af vores kontinuerlige forsknings- og udviklingsprogrammer kan hosstående specifikationer blive ændret uden varsel.
- Specifikationer kan variere fra land til land.
- Vægt i henhold til EPTA-Procedure 01/2003
- Udformningen og vægten varierer afhængigt af specifikationerne, der er forskellige fra land til land.

Tilsigtet anvendelse

Denne maskine er beregnet til skæring i jernemner med anvendelse af en passende slibende afskærings-skive. Følg alle love og bekendtgørelser for støv og arbejdsområde i Deres land med hensyn til helbred og sikkerhed.

Strømforsyning

Maskinen må kun tilsluttes en strømforsyning med samme spænding som angivet på typeskiltet og kan kun anvendes på enfaset vekselstrømforsyning. Den er dobbeltisoleret og kan derfor også tilsluttes netstik uden jordforbindelse.

For offentlige lavspændingsnet på mellem 220 V og 250 V

Tænd og sluk af elektriske apparater medfører spændingssvingninger. Anvendelse af denne maskine under ugunstige lysnetforsyningsforhold kan have negativ indflydelse på driften af andet udstyr. Ved en netimpedans svarende til eller mindre end 0,18 ohm, kan det antages, at der ikke vil være negative påvirkninger. Stikkontakten, der anvendes til denne maskine, skal være beskyttet med en sikring eller en beskyttelsesafbryder med træg udløsning.

Lyd

Det typiske A-vægtede støjniveau bestemt i overensstemmelse med EN61029:

Model LW1400

Lydtryksniveau (L_{pA}): 102 dB (A)
 Lydeffektniveau (L_{WA}): 110 dB (A)
 Usikkerhed (K): 3 dB (A)

Model LW1401

Lydtryksniveau (L_{pA}): 102 dB (A)
 Lydeffektniveau (L_{WA}): 110 dB (A)
 Usikkerhed (K): 3 dB (A)

⚠ ADVARSEL: Bær høreværn.

Vibration

Vibrationens totalværdi (tre-aksial vektorsum) bestemt i overensstemmelse med EN61029:

Model LW1400

Vibrationsemission (a_h): 2,5 m/s² eller mindre
 Usikkerhed (K): 1,5 m/s²

Model LW1401

Vibrationsemission (a_h): 2,5 m/s² eller mindre
 Usikkerhed (K): 1,5 m/s²

BEMÆRK: Den angivne vibrationsemissionsværdier blevet målt i overensstemmelse med standardtestmetoden og kan anvendes til at sammenligne et værktøj med et andet.

BEMÆRK: Den angivne vibrationsemissionsværdien kan også anvendes i en præliminær eksponeringsvurdering.

⚠ ADVARSEL: Vibrationsemissionen under den faktiske anvendelse af værktøjet kan være forskellig fra den erklærede emissionsværdi, afhængigt af den måde, hvorpå værktøjet anvendes.

⚠ ADVARSEL: Sørg for at identificere de sikkerhedsforskrifter til beskyttelse af operatøren, som er baseret på en vurdering af eksponering under de faktiske brugsforhold (med hensyntagen til alle dele i brugscyklussen, f.eks. de gange, hvor værktøjet er slukket, og når det kører i tomgang i tilgift til afbrydertiden).

EU-konformitetserklæring

Kun for lande i Europa

Makita erklærer, at den følgende maskine (maskiner):

Maskinens betegnelse: Transportabel afkorter

Model nr./ Type: LW1400, LW1401

Opfylder betingelserne i de følgende EU-direktiver:

2006/42/EU

De er fremstillet i overensstemmelse med den følgende

standard eller standardiserede dokumenter: EN60745

Den tekniske fil, som er i overensstemmelse med

2006/42/EC er tilgængelig fra:

Makita, Jan-Baptist Vinkstraat 2, 3070, Belgien

21.5.2015

Yasushi Fukaya

Direktør

Makita, Jan-Baptist Vinkstraat 2, 3070, Belgien

Almindelige sikkerhedsregler for el-værktøj

⚠ ADVARSEL: Læs alle sikkerhedsadvarsler og alle sikkerhedsinstruktioner. Hvis nedenstående advarsler og instruktioner ikke overholdes, kan det medføre elektrisk stød, brand og/eller alvorlig personskade.

Gem alle advarsler og instruktioner til fremtidig reference.

Ordet "el-værktøj" i advarslerne henviser til det netforsynde (netledning) el-værktøj eller batteriforsynde (akku) el-værktøj.

Yderligere sikkerhedsbestemmelser for maskinen

1. Brug sikkerhedsbriller. Brug også høreværn når der skal arbejdes i længere tid.
2. Brug kun skiver, der er anbefalet af fabrikanten, og som har en maksimal hastighed, der er mindst lige så høj, som den, der er angivet som "No Load RPM" (Omdrejningstal uden belastning) på maskinens typeskilt. Brug kun glasfiberforstærkede afskæringsskiver.
3. Før brug skal det omhyggeligt kontrolleres, om skiven har revner eller er beskadiget. Udskift revnede eller beskadigede skiver med det samme.
4. Spænd skiven godt fast.
5. Anvend kun flanger, der er beregnet til denne maskine.
6. Pas på ikke at beskadige spindlen, flangerne (især monteringsoverfladen) eller bolten. Hvis det sker, kan selve skiven sprænges.
7. Hold skærmene på plads og i god stand.
8. Hold godt fast i håndtaget.
9. Lad ikke hænderne komme i nærheden af roterende dele.
10. Forvis Dem om, at skiven ikke berører arbejdsemnet, når maskinen startes.

11. Før maskinen anvendes på et faktisk arbejdsemne, skal den først køre i tomgang i adskillige minutter. Vær opmærksom på rystelser eller overdrevne vibrationer der kan tyde på forkert montering eller en dårlig afbalance-ret skive.
12. Pas på flyvende gnister under betjeningen. De kan medføre personskade og antænde brændbare materialer.
13. Fjern materiale og affald, der kan antændes af gnister, fra området. Forvis Dem om, at der ikke er nogle personer der, hvor gnisterne falder. Hav altid en god, driftsklar ildslukker i nærheden.
14. Brug kun skærekanten på skiven. Brug aldrig sidefladen.
15. Hvis skiven stopper under brug, lyder underlig eller begynder at vibrere, skal der omgående slukkes for maskinen.
16. Sluk altid for maskinen og vent til skiven er helt stoppet, før arbejdsemnet fjernes eller fastgøres, skruestikken betjenes, arbejdspositionen, vinklen eller selve skiven skiftes.
17. Rør ikke ved arbejdsemnet lige efter anvendelse. Det er ekstremt varm og kan give forbrændinger.
18. Opbevar kun skiver på et tørt sted.
19. Sørg for at ventilationsåbningerne holdes rene, når der arbejdes under støvede forhold. Hvis det skulle blive nødvendigt at fjerne støv, skal maskinen først afbrydes fra lysnettet (benyt ikke-metalliske genstande) og påpas-selighed skal udvises, så indvendige dele ikke beskadiges.

GEM DISSE FORSKRIFTER.

INSTALLATION

⚠ ADVARSEL: Denne maskine frembringer gnister, når den skærer et arbejdsemne. Installer ikke denne maskine på et sted hvor brændbare og/eller eksplosive materialer muligvis kan blive antændt af gnisterne fra maskinen. Sørg desuden for at der ikke er sådant materiale i nærheden af maskinen, inden start af anvendelsen.

Fastgørelse af basen

Denne maskine skal boltes fast med to bolte til en plan og stabil flade med brug af de bolthuller, der findes i maskinens base. Dette vil bidrage til at forhindre, at maskinen vælter og forårsager personskade.

► Fig.1: 1. Bolthuller 2. Base

FUNKTIONSBESKRIVELSE

⚠️ FORSIGTIG: Kontrollér altid, at maskinen er slået fra, og at netstikket er trukket ud, før der udføres justeringer, eller funktioner kontrolleres på maskinen.

Oplåsning/låsning af maskinhovedet

Maskinhovedet kan låses. Lås altid maskinhovedet, når maskinen ikke anvendes eller ved transport.

For LW1400

Lås op ved at trykke maskinhovedet en smule ned, og skubbe til låsestiften. Lås ved at sætte låsestiften tilbage på plads, mens maskinhovedet holdes nede.

► **Fig. 2:** 1. Låsestift

For LW1401

Hægt låsekæden af krogen. Hægt altid låsekæden på krogen, når maskinen ikke anvendes.

► **Fig. 3:** 1. Krog 2. Låsekæde

Afbryderbetjening

⚠️ ADVARSEL: Før maskinen sættes i stikkontakten, skal De altid kontrollere, at afbryderknappen fungerer korrekt og returnerer til "OFF"-positionen, når den slippes.

► **Fig. 4:** 1. Låseknop / Lås fra-knap 2. Afbryderknop

For værktøjer med låseknop

Værktøjet startes ved blot at trække afbryderknappen. Slip afbryderknappen for at stoppe. For kontinuerlig brug skal De trække afbryderknappen, trykke låseknappen ind og derefter slippe afbryderknappen. For at stoppe værktøjet fra låst position skal De trække knappen helt ind og derefter slippe den.

⚠️ FORSIGTIG: Kontakten kan låses i "ON"-stillingen for at gøre det nemmere for brugeren ved længere tids brug af maskinen. Vær forsigtig, når maskinen låses i "ON"-stillingen, og hold godt fast i maskinen.

For værktøjer med lås fra-knap

For at forhindre utilsigtet tryk på afbryderknappen er værktøjet udstyret med en lås fra-knap. For at starte værktøjet skal De trykke lås fra-knappen ind og trække afbryderknappen. Slip afbryderknappen for at stoppe.

⚠️ ADVARSEL: Omgå ALDRIG lås fra-knappens funktion ved at tape den fast eller på andre måder. En afbryder med en blokeret lås fra-knap kan medføre utilsigtet funktion og alvorlig personskade.

⚠️ ADVARSEL: Brug ALDRIG maskinen, hvis den kører, når du blot trykker på afbryderknappen uden at trykke på lås fra-knappen. En afbryder, der skal repareres, kan medføre utilsigtet funktion og alvorlig personskade. Returner maskinen til et Makita-servicecenter for nødvendige reparationer INDEN yderligere brug.

BEMÆRKNING: Tryk ikke hårdt på afbryderkontakten uden først at trykke aflåseknappen ind. Dette kan ødelægge afbryderkontakten.

Mellemrum mellem skruestik og ledeplade

⚠️ FORSIGTIG: Efter justering af mellemrummet mellem skruestikken og ledepladen, skal det sikres, at ledepladen er ordentligt fastgjort. Utilstrækkelig fastgørelse kan muligvis resultere i personskade.

De følgende indstillinger af mellemrummet for skruestikken er til rådighed:

- 0 - 170 mm (oprindelig indstilling)
- 35 - 205 mm
- 70 - 240 mm

Hvis arbejdet kræver en anden indstilling, skal du gå frem som følger for at ændre afstanden eller mellemrummet.

For LW1400

Løsn skruen på ledepladen. Flyt ledepladen hen på den ønskede position og stram derefter skruen.

► **Fig. 5:** 1. Skruer 2. Ledepade

For LW1401

Fjern de to sekskantbolte vha. en topnøgle. Flyt ledepladen hen på den ønskede position og fastgør den med sekskantboltene.

► **Fig. 6:** 1. Ledepade 2. Sekskantbolte

Justering af snitvinkel

⚠️ FORSIGTIG: Efter justering af vinklen på ledepladen skal det sikres, at ledepladen er ordentligt fastgjort. Utilstrækkelig fastgørelse kan muligvis resultere i personskade.

For LW1400

Drej armen mod urets retning. Flyt ledepladen hen på den ønskede vinkel og stram armen helt til.

► **Fig. 7:** 1. Ledepade 2. Arm

For LW1401

BEMÆRKNING: Når der udføres højre geringsnit, skal ledepladen altid indstilles på 0 - 170 mm-positionen. Indstilles den på 35 - 205 mm- eller 70 - 240 mm-positionen forhindres bevægelsen af anslagspladen, hvilket resulterer i et mislykket snit.

Løsn de to sekskantbolte vha. en topnøgle. Drej ledepladen hen på den ønskede vinkel og fastgør den med sekskantboltene. Pas på ikke at flytte den indstillede vinkel, mens sekskantboltene fastgøres.

► **Fig. 8:** 1. Ledepade 2. Sekskantbolte

BEMÆRK: Skalaen på ledepladen er kun en omtrentlig indikering. For at opnå en mere nøjagtig vinkel, skal man anvende en vinkelmåler eller en trekantslineal. Hold håndtaget nede, så afskæringsskiven går ind i basen. Indstil samtidigt vinklen mellem ledepladen og afskæringsskiven med en vinkelmåler eller en trekantslineal.

Justering af gnistskærm

Kun for LW1401 (landespecifik)

► **Fig.9:** 1. Skrue 2. Gnistskærm

Gnistskærmen er installeret fra fabrikken, så dens nederste kant berører basen. Anvendelse af maskinen i denne stilling vil bevirke, at der flyver mange gnister omkring. Løsn skruen og indstil gnistskærmen til en stilling, hvor kun få gnister vil flyve omkring.

Anslagsplade

Kun for LW1401 (landespecifik)

► **Fig.10:** 1. Anslagsplade

Anslagspladen forhindrer afskæringsskiven i at komme i kontakt med arbejdsbænken eller gulvet. Når der monteres en ny afskæringsskive, skal anslagspladen indstilles til position (A). Når afskæringsskiven slides ned i en sådan grad, at den nederste del af arbejdsemnet ikke bliver skåret, skal anslagspladen indstilles på position (B), så der opnås en forøget skærekapacitet med en nedslidt skive.

SAMLING

⚠FORSIGTIG: Sørg altid for, at maskinen er slukket og taget ud af forbindelse, inden der udføres nogen form for arbejde på maskinen.

Åbning af beskyttelsesskærm af midterhættetyper

Landespecifik

På maskiner udstyret med en beskyttelsesskærm af midterhættetyper skal fastgørelsesskruen først løses, hvorefter skærmen kan hæves.

► **Fig.11:** 1. Fastgørelsesskrue

Åbning af beskyttelsesskærm af europæisk type

Landespecifik

På maskiner udstyret med en beskyttelsesskærm af europæisk type skal fastgørelsesskruen først løses, hvorefter skærmen kan åbnes som vist.

► **Fig.12:** 1. Fastgørelsesskrue

► **Fig.13**

► **Fig.14**

Afmontering og montering af afskæringsskiver

⚠FORSIGTIG: Sørg for at stramme den værktøjsfri klemme og sekskantbolten godt til. Utilstrækkelig stramning kan muligvis resultere i alvorlig tilskadekomst. Når sekskantbolten strammes, skal der anvendes den topnøgle, som fulgte med maskinen, for at sikre korrekt stramning.

⚠FORSIGTIG: Anvend altid kun de rigtige indre og ydre flanger, der følger med maskinen.

⚠FORSIGTIG: Sænk altid beskyttelsesskærmen efter skiveskift.

► **Fig.15:** 1. Indre flange 2. Ring 3. O-ring
4. Afskæringsskive 5. Ydre flange
6. Værktøjsfri klemme / Sekskantbolt

For LW1400

Hæv beskyttelsesskærmen. Drej den værktøjsfri klemme mod urets retning, mens aksellåsen holdes nede. Afmonter derefter den værktøjsfri klemme, den ydre flange og afskæringsskiven. Når afskæringsskiven afmonteres, skal den indre flange såvel som ringen og O-ringen ikke fjernes.

► **Fig.16:** 1. Aksellås 2. Værktøjsfri klemme

For at montere afskæringsskiven følges afmonteringsanvisningen i modsat rækkefølge. Sørg for at tilpasse hullet i afskæringsskiven til ringen og sætte beskyttelsesskærmen tilbage på plads.

For LW1401

Hæv beskyttelsesskærmen. Drej sekskantbolten mod urets retning vha. en topnøgle, mens aksellåsen holdes nede. Afmonter derefter sekskantbolten, den ydre flange og skiven.

► **Fig.17:** 1. Aksellås 2. Sekskantbolt

For at montere skiven følges afmonteringsanvisningen i modsat rækkefølge. Sørg for at tilpasse hullet i afskæringsskiven til ringen og sætte beskyttelsesskærmen tilbage på plads.

ANVENDELSE

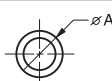
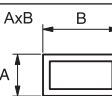
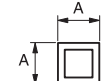
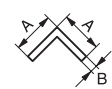
⚠FORSIGTIG: Det rigtige tryk på håndtaget under arbejdet og den maksimale skæreevne kan fastslås af mængden af gnister, der frembringes under arbejdet. Skæringen må ikke fremskyndes ved at man lægger for meget tryk på håndtaget. Dette kan medføre reduceret skæreeffektivitet, for tidlig nedslidning af skiven, såvel som risiko for beskadigelse af maskinen, afskæringsskiven og arbejdsemnet.

Hold godt fast i håndtaget. Tænd for maskinen og vent, indtil skiven har nået fuld hastighed, før den forsigtigt sænkes ned i snittet. Når skiven berører arbejdsemnet, skal der gradvist lægges mere og mere tryk på håndtaget for at udføre snittet. Når snittet er udført, skal der slukkes for maskinen og ventes, indtil skiven er helt stoppet, før håndtaget igen sættes i den fuldt oprejste stilling.

Snitkapacitet

Den maksimale snitkapacitet afhænger af snitvinklen og arbejdsemnets form.

Maks. snitkapacitet med en helt ny afskæringsskive

Snitvinkel / Arbejdsemnets form	90°	45°
	127 mm	127 mm
	115 x 130 mm 102 x 194 mm 70 x 233 mm	115 x 103 mm
	119 x 119 mm	106 x 106 mm
	137 x 137 x 10 mm	100 x 100 x 10 mm

Fastgørelse af arbejdsemne

⚠FORSIGTIG: Placer altid gevindholderen på akselgevindtet, når arbejdsemnet fastgøres. Hvis dette ikke gøres, kan det medføre, at arbejdsemnet ikke sidder godt nok fast. Derved kan arbejdsemnet blive skubbet ud eller skiven kan brække, hvilket er farligt.

Mens gevindholderen er løftet, kan skruestikpladen flyttes hurtigt ind og ud. For at spænde et arbejdsemne fast skal man skubbe håndtaget frem, indtil skruestikpladen berører arbejdsemnet, og derefter sætte gevindholderen tilbage. Drej håndtaget i urets retning indtil arbejdsemnet fastholdes ordentligt.

► **Fig.18:** 1. Håndtag 2. Gevindholder 3. Skruestikplade

Når afskæringsskiven er ved at være ekstremt nedslidt, skal der placeres en afstandsklods bagved arbejdsemnet, som vist på illustrationen. Den nedslidte skive kan anvendes mere effektivt ved at bruge midterpunktet i skivens yderkant, når arbejdsemnet skal skæres. Brug et robust, ikke-brændbart materiale som afstandsklods.

► **Fig.19:** 1. Afstandsklods

Når der skæres arbejdsemner i en vinkel, som er over 85 mm brede, skal man fastgøre et lige stykke træ (afstandsstykke) på over 190 mm langt x 45 mm bredt på ledepladen som vist på illustrationen. Fastgør denne afstandsstykke med skruer gennem hullerne i ledepladen. Sørg for, at afskæringsskiven ikke berører afstandsstykket, når maskinhovedet trykkes ned.

► **Fig.20:** 1. Ledepade 2. Afstandsklods (over 190 mm lang x 45 mm bred) 3. Arbejdsemne (over 85 mm bredt) 4. Skruestikplade

► **Fig.21**

Når afskæringsskiven er ved at være nedslidt, skal snitpositionen hæves ved at placere en afstandsklods, som er lidt mindre end arbejdsemnet, som vist på illustrationen. Dette vil hjælpe dig med at udnytte skiven økonomisk.

► **Fig.22:** 1. Skruestikplade 2. Diameter af arbejdsemne 3. Ledepade 4. Bredde på afstandsklods

Lange arbejdsemner skal understøttes af blokke på begge sider, så de bliver plane med basens top. Brug et ikke-brændbart materiale som støtteblokke.

► **Fig.23:** 1. Støtteblok

Transport af maskine

Fold maskinhovedet ned og lås det. Hold i håndtaget under transport.

► **Fig.24**

VEDLIGEHOLDELSE

⚠FORSIGTIG: Kontrollér altid, at der er slukket for maskinen, og at netstikket er trukket ud, før der udføres eftersyn eller vedligeholdelse.

BEMÆRKNING: Anvend aldrig benzin, rensebenzin, fortynder, alkohol og lignende. Det kan medføre misfarvning, deformation eller revner.

Udskiftning af kulbørster

► **Fig.25:** 1. Slidgrænse

Kontrollér kulbørsterne med regelmæssige mellemrum. Udskift dem, når de er slidt ned til slidgrænsen. Hold kulbørsterne rene og i stand til frit at glide ind i holderne. Begge kulbørster skal udskiftes parvist samtidigt. Anvend kun identiske kulbørster.

1. Benyt en skruetrækker til at afmontere kulholderdækslerne.
2. Tag de slidte kulbørster ud, isæt de nye, og fastgør derefter kulholderdækslerne.

► **Fig.26:** 1. Kulholderdæksel

EKSTRAUDSTYR

⚠FORSIGTIG: Det følgende tilbehør og ekstraudstyr er anbefalet til brug med Deres Makita maskine, der er beskrevet i denne brugsanvisning. Anvendelse af andet tilbehør eller ekstraudstyr kan udgøre en risiko for personskade. Anvend kun tilbehør og ekstraudstyr til det beskrevne formål.

Hvis De behøver hjælp ved valg af tilbehør eller ønsker yderligere informationer, bedes De kontakte Deres lokale Makita servicecenter.

- Slibende afskæringsskiver
- Topnøgle (kun for LW1401)

BEMÆRK: Nogle ting på denne liste kan være inkluderet i værktøjss pakken som standardtilbehør. Det kan være forskellige fra land til land.

ΠΡΟΔΙΑΓΡΑΦΕΣ

Μοντέλο:		LW1400	LW1401
Διάμετρος τροχού		355 mm	
Διάμετρος τρύπας		25,4 mm	
Ταχύτητα χωρίς φορτίο		3.800 min ⁻¹	
Διαστάσεις (Μ x Π x Υ)	Με προφυλακτήρα ασφάλειας ευρωπαϊκού τύπου	530 mm x 295 mm x 640 mm	500 mm x 295 mm x 640 mm
	Με προφυλακτήρα ασφάλειας διαφορετικό από ευρωπαϊκού τύπου	530 mm x 290 mm x 640 mm	500 mm x 290 mm x 620 mm
Βάρος καθαρό	Με προφυλακτήρα ασφάλειας ευρωπαϊκού τύπου και κάτω κάλυμμα	18,7 kg	18,3 kg
Τάξη ασφάλειας		□/II	

- Λόγω του συνεχόμενου προγράμματος που εφαρμόζουμε για έρευνα και ανάπτυξη, τα τεχνικά χαρακτηριστικά στο παρόν έντυπο υπόκεινται σε αλλαγή χωρίς προειδοποίηση.
- Τα τεχνικά χαρακτηριστικά μπορεί να διαφέρουν από χώρα σε χώρα.
- Βάρος σύμφωνα με διαδικασία EPTA 01/2003
- Το σχήμα και το βάρος διαφέρουν ανάλογα με τα τεχνικά χαρακτηριστικά, τα οποία διαφέρουν ανάλογα με τη χώρα.

Προοριζόμενη χρήση

Το εργαλείο προορίζεται για την κοπή σιδηρούων υλικών με κατάλληλο λειαντικό τροχό αποκοπής. Να τηρείτε όλους τους νόμους και κανονισμούς της χώρας σας σχετικά με σκόνη και υγιεινή και ασφάλεια στους χώρους εργασίας.

Ηλεκτρική παροχή

Το εργαλείο πρέπει να συνδέεται μόνο με ηλεκτρική παροχή της ίδιας τάσης με αυτή που αναγράφεται στην πινακίδα ονομαστικών τιμών και μπορεί να λειτουργήσει μόνο με εναλλασσόμενο μονοφασικό ρεύμα. Υπάρχει διπλή μόνωση και κατά συνέπεια, μπορεί να γίνει σύνδεση σε ακροδέκτες χωρίς σύρμα γείωσης.

Για δημόσια συστήματα διανομής ηλεκτρικού ρεύματος χαμηλής τάσης μεταξύ 220 V και 250 V

Η αλλαγή λειτουργιών ηλεκτρικής συσκευής προκαλεί διακυμάνσεις τάσης. Η λειτουργία αυτής της συσκευής κάτω από άσχημες συνθήκες παροχής ηλεκτρικού ρεύματος μπορεί να έχει δυσμενή αποτελέσματα στη λειτουργία άλλου εξοπλισμού. Με μια σύνθετη αντίσταση ίση ή μικρότερη από 0,18 Ω, μπορεί να θεωρηθεί πιθανό ότι δεν θα προκύψουν αρνητικά αποτελέσματα. Η υποδοχή παροχής ρεύματος για την συσκευή αυτή πρέπει να προστατεύεται από μια ασφάλεια ή ένα προστατευτικό κύκλωμα διακόπτη που να έχει αργά χαρακτηριστικά αποσύνδεσης.

Θόρυβος

Το τυπικό Α επίπεδο καταμετρημένου θορύβου καθορίζεται σύμφωνα με το EN61029:

Μοντέλο LW1400

Στάθμη ηχητικής πίεσης (L_{pA}): 102 dB (A)
Στάθμη ηχητικής ισχύος (L_{WA}): 110 dB (A)
Αβεβαιότητα (K): 3 dB (A)

Μοντέλο LW1401

Στάθμη ηχητικής πίεσης (L_{pA}): 102 dB (A)
Στάθμη ηχητικής ισχύος (L_{WA}): 110 dB (A)
Αβεβαιότητα (K): 3 dB (A)

▲ ΠΡΟΕΙΔΟΠΟΙΗΣΗ: Να φοράτε ωτοασπίδες.

Κραδασμός

Η ολική τιμή δόνησης (άθροισμα τρι-αξονικού διανύσματος) καθορίζεται σύμφωνα με το EN61029:

Μοντέλο LW1400

Εκπομπή δόνησης (a_h): 2,5 m/s² ή λιγότερο
Αβεβαιότητα (K): 1,5 m/s²

Μοντέλο LW1401

Εκπομπή δόνησης (a_h): 2,5 m/s² ή λιγότερο
Αβεβαιότητα (K): 1,5 m/s²

ΠΑΡΑΤΗΡΗΣΗ: Η δηλωμένη τιμή εκπομπής κραδασμών έχει μετρηθεί σύμφωνα με την πρότυπη μέθοδο δοκιμής και μπορεί να χρησιμοποιηθεί για τη σύγκριση ενός εργαλείου με άλλο.

ΠΑΡΑΤΗΡΗΣΗ: Η δηλωμένη τιμή εκπομπής κραδασμών μπορεί να χρησιμοποιηθεί και στην προκαταρκτική αξιολόγηση έκθεσης.

⚠️ ΠΡΟΕΙΔΟΠΟΙΗΣΗ: Η εκπομπή κραδασμών κατά τη χρήση του ηλεκτρικού εργαλείου σε πραγματικές συνθήκες μπορεί να διαφέρει από τη δηλωμένη τιμή εκπομπής ανάλογα με τον τρόπο χρήσης του εργαλείου.

⚠️ ΠΡΟΕΙΔΟΠΟΙΗΣΗ: Φροντίστε να λάβετε τα κατάλληλα μέτρα προστασίας του χειριστή βάσει ενός υπολογισμού της έκθεσης σε πραγματικές συνθήκες χρήσης (λαμβάνοντας υπόψη όλες τις συνιστώσες του κύκλου λειτουργίας όπως τους χρόνους που το εργαλείο είναι εκτός λειτουργίας και όταν βρίσκεται σε αδρανή λειτουργία πέραν του χρόνου ενεργοποίησης).

Δήλωση Συμμόρφωσης ΕΚ

Μόνο για χώρες της Ευρώπης

Η Makita δηλώνει ότι τα ακόλουθα μηχανήματα: Χαρακτηρισμός μηχανήματος: Φορητός κόφτης Αρ. μοντέλου/ Τύπος: LW1400, LW1401 Συμμορφώνονται με τις ακόλουθες Ευρωπαϊκές Οδηγίες: 2006/42/ΕΚ Κατασκευάζονται σύμφωνα με τα ακόλουθα πρότυπα ή έγγραφα τυποποίησης: EN60745 Το τεχνικό αρχείο σύμφωνα με την 2006/42/ΕΚ διατίθεται από: Makita, Jan-Baptist Vinkstraat 2, 3070, Βέλγιο 21.5.2015



Yasushi Fukaya
Διευθυντής
Makita, Jan-Baptist Vinkstraat 2, 3070, Βέλγιο

Γενικές προειδοποιήσεις ασφαλείας για το ηλεκτρικό εργαλείο

⚠️ ΠΡΟΕΙΔΟΠΟΙΗΣΗ: Διαβάστε όλες τις προειδοποιήσεις για την ασφάλεια και όλες τις οδηγίες. Η μη τήρηση των προειδοποιήσεων και οδηγιών μπορεί να καταλήξει σε ηλεκτροπληξία, πυρκαγιά ή/και σοβαρό τραυματισμό.

Φυλάξτε όλες τις προειδοποιήσεις και τις οδηγίες για μελλοντική παραπομπή.

Στις προειδοποιήσεις, ο όρος «ηλεκτρικό εργαλείο» αναφέρεται σε ηλεκτρικό εργαλείο που τροφοδοτείται από την κύρια παροχή ηλεκτρικού ρεύματος (με ηλεκτρικό καλώδιο) ή σε ηλεκτρικό εργαλείο που τροφοδοτείται από μπαταρία (χωρίς ηλεκτρικό καλώδιο).

Πρόσθετοι κανόνες ασφαλείας για το εργαλείο

1. Φοράτε προστατευτικά γυαλιά. Επίσης φοράτε ωτασπίδες κατά την διάρκεια μακρών περιόδων λειτουργίας.
2. Χρησιμοποιείτε μόνο τροχούς που συνιστώνται από τον κατασκευαστή και έχουν μέγιστη ταχύτητα λειτουργίας τουλάχιστον ίση με τις «No Load RPM» (ΣΑΛ χωρίς φορτίο) που

σημειώνονται στην πινακίδα του εργαλείου. Χρησιμοποιείτε μόνο τροχούς αποκοπής, ενισχυμένους με ίνες υάλου.

3. Ελέγξτε τον τροχό για ρωγμές ή ζημιά πριν τη λειτουργία. Αντικαταστήστε αμέσως έναν τροχό με ρωγμές ή ζημιάς.
4. Στερεώστε τον τροχό προσεκτικά.
5. Χρησιμοποιείτε μόνο φλάντζες ειδικές για το εργαλείο αυτό.
6. Προσέχετε να μη κάνετε ζημιά στο αξόνιο, στις φλάντζες (ειδικά στην επιφάνεια εγκατάστασης) ή στο μπουλόνι, ή ο ίδιος ο τροχός μπορεί να σπάσει.
7. Κρατάτε τους προφυλακτήρες στη θέση τους και σε καλή κατάσταση.
8. Κρατάτε τη χειρολαβή σταθερά.
9. Κρατάτε τα χέρια σας μακριά από τα περιστρεφόμενα μέρη.
10. Φροντίστε ο τροχός να μην έρχεται σε επαφή με το τεμάχιο εργασίας πριν από την ενεργοποίηση του διακόπτη.
11. Πριν χρησιμοποιήσετε το εργαλείο σε ένα πραγματικό τεμάχιο εργασίας, αφήστε να λειτουργήσει για αρκετά λεπτά πρώτα. Παρακολουθήστε για τρεμουλιάρματα ή υπερβολικές δονήσεις που μπορεί να προκαλούνται από κακή τοποθέτηση ή κακή εξισορρόπηση του τροχού.
12. Προσέχετε για ιπτάμενους σπινθήρες κατά τη λειτουργία. Μπορεί να προκαλέσουν τραυματισμό ή να ανάψουν εύφλεκτα υλικά.
13. Αφαιρέστε υλικά ή απορρίμματα από το χώρο που μπορεί να αναφλεγούν από τους σπινθήρες. Βεβαιωθείτε ότι κανείς δεν βρίσκεται στη τροχιά των σπινθήρων. Κρατάτε διαθέσιμο κοντά, ένα κατάλληλο, φορτισμένο πυροσβεστήρα.
14. Χρησιμοποιείτε μόνο την κόψη του τροχού. Ποτέ μη χρησιμοποιείτε τη πλευρική επιφάνεια.
15. Αν ο τροχός σταματάει κατά τη λειτουργία, κάνει αλλόκοτο θόρυβο ή αρχίζει να δονείται, σβήστε το εργαλείο αμέσως.
16. Πάντοτε σβήνετε το εργαλείο και περιμένετε να σταματήσει τελείως ο τροχός πριν αφαιρέσετε, στερεώσετε το τεμάχιο εργασίας, χειριστείτε τη μέγκενη, αλλάζετε θέση εργασίας, γωνία ή τον ίδιο το τροχό.
17. Μην πιάνετε το τεμάχιο εργασίας αμέσως μετά τη λειτουργία επειδή είναι εξαιρετικά θερμό και μπορεί να σας προκαλέσει εγκαύματα.
18. Αποθηκεύετε τροχούς μόνο σε χώρους χωρίς υγρασία.
19. Σιγουρευτείτε ότι οι οπές εξαερισμού διατηρούνται ανοιχτές όταν εργάζεστε σε σκοτεινό περιβάλλον. Αν χρειαστεί να καθαρίσετε τη σκόνη, πρώτα αποσυνδέστε το εργαλείο από την κύρια ηλεκτρική παροχή (χρησιμοποιήστε μη μεταλλικά αντικείμενα) και αποφυγείτε να καταστρέψετε εσωτερικά μέρη.

ΦΥΛΑΞΕΤΕ ΑΥΤΕΣ ΤΙΣ ΟΔΗΓΙΕΣ.

ΤΟΠΟΘΕΤΗΣΗ

▲ ΠΡΟΕΙΔΟΠΟΙΗΣΗ: Αυτό το εργαλείο παράγει σπινθήρες όταν κόβετε ένα τεμάχιο εργασίας. Μην τοποθετείτε αυτό το εργαλείο σε μέρος όπου μπορεί να αναφλεγούν εύφλεκτα ή/και εκρηκτικά υλικά από σπινθήρες από το εργαλείο. Επίσης, βεβαιωθείτε ότι δεν υπάρχουν τέτοια υλικά κοντά στο εργαλείο πριν ξεκινήσετε τη λειτουργία.

Ασφάλιση της βάσης

Το εργαλείο αυτό πρέπει να είναι βιδωμένο με δύο μπουλόνια σε μια επίπεδη και σταθερή επιφάνεια χρησιμοποιώντας τις τρύπες για μπουλόνια που παρέχονται στη βάση του εργαλείου. Αυτό θα συμβάλλει στην αποφυγή της ανατροπής του εργαλείου και πιθανού προσωπικού τραυματισμού.

► **Εικ.1:** 1. Τρύπες για μπουλόνια 2. Βάση

ΠΕΡΙΓΡΑΦΗ ΛΕΙΤΟΥΡΓΙΑΣ

▲ ΠΡΟΣΟΧΗ: Να βεβαιώνετε πάντα ότι το εργαλείο είναι σβηστό και αποσυνδεδεμένο από την ηλεκτρική παροχή πριν ρυθμίσετε ή ελέγχετε κάποια λειτουργία του.

Απασφάλιση/Ασφάλιση της κεφαλής εργαλείου

Η κεφαλή εργαλείου μπορεί να ασφαλιστεί. Να ασφαλίσετε πάντα την κεφαλή εργαλείου όταν δεν χρησιμοποιείται ή όταν μεταφέρεται.

Για το LW1400

Για απασφάλιση, πατήστε λίγο την κεφαλή εργαλείου και ωθήστε τον πείρο ασφάλισης. Για ασφάλιση, επιστρέψτε τον πείρο ασφάλισης ενώ κρατάτε κάτω την κεφαλή εργαλείου.

► **Εικ.2:** 1. Πείρος ασφάλισης

Για το LW1401

Απασφαλίστε την αλυσίδα ασφάλισης από το γάντζο. Να τοποθετείτε πάντα την αλυσίδα ασφάλισης στο γάντζο όταν δεν την χρησιμοποιείτε.

► **Εικ.3:** 1. Γάντζος 2. Αλυσίδα ασφάλισης

Δράση διακόπτη

▲ ΠΡΟΕΙΔΟΠΟΙΗΣΗ: Πριν από τη σύνδεση του εργαλείου στην ηλεκτρική παροχή, να ελέγχετε πάντα ότι η σκανδάλη διακόπτης ενεργοποιείται σωστά και επιστρέφει στη θέση «OFF» όταν την αφήνετε.

► **Εικ.4:** 1. Κουμπί ασφάλισης / Κουμπί απασφάλισης 2. Σκανδάλη διακόπτης

Για εργαλείο με κουμπί ασφάλισης

Για να ξεκινήσετε το εργαλείο, απλώς τραβήξτε τη σκανδάλη διακόπτη. Για διακοπή της λειτουργίας, ελευθερώστε τη σκανδάλη διακόπτη. Για συνεχόμενη λειτουργία, τραβήξτε τη σκανδάλη διακόπτη, πατήστε το κουμπί ασφάλισης και μετά αφήστε τη σκανδάλη διακόπτη. Για να σταματήσετε το εργαλείο από την κλειδωμένη θέση, τραβήξτε πλήρως τη σκανδάλη διακόπτη και κατόπιν αφήστε την.

▲ ΠΡΟΣΟΧΗ: Ο διακόπτης μπορεί να ασφαλιστεί στη θέση «ΕΝΕΡΓΟ» για πιο άνετη λειτουργία από το χρήστη κατά τη διάρκεια παρατεταμένης χρήσης. Να είστε προσεκτικοί όταν ασφαλίσετε το εργαλείο στη θέση «ΕΝΕΡΓΟ» και να κρατάτε το εργαλείο σταθερά.

Για εργαλείο με κουμπί κλειδώματος

Για να μην πιέζεται η σκανδάλη διακόπτης κατά λάθος, παρέχεται ένα κουμπί κλειδώματος. Για να ξεκινήσετε τη λειτουργία του εργαλείου, πατήστε το κουμπί κλειδώματος και πατήστε τη σκανδάλη διακόπτη. Για διακοπή της λειτουργίας, ελευθερώστε τη σκανδάλη διακόπτη.

▲ ΠΡΟΕΙΔΟΠΟΙΗΣΗ: Μην παρακάμπετε ΠΟΤΕ το κουμπί απασφάλισης συγκρατώντας το πιεσμένο με αυτοκόλλητη ταινία ή άλλο μέσο. Ένας διακόπτης με παραβιασμένο κουμπί απασφάλισης μπορεί να προκαλέσει ακούσια λειτουργία και σοβαρό ατομικό τραυματισμό.

▲ ΠΡΟΕΙΔΟΠΟΙΗΣΗ: Μη χρησιμοποιείτε ΠΟΤΕ το εργαλείο αν μπορείτε να το θέσετε σε λειτουργία πιέζοντας απλά τη σκανδάλη διακόπτη, χωρίς να πατήσετε και το κουμπί απασφάλισης. Ένας διακόπτης που απαιτεί επισκευή μπορεί να προκαλέσει ακούσια λειτουργία και σοβαρό ατομικό τραυματισμό. Στείλτε το εργαλείο σε κέντρο εξυπηρέτησης της Makita για να το επισκευάσουν σωστά ΠΡΙΝ το χρησιμοποιήσετε ξανά.

ΕΙΔΟΠΟΙΗΣΗ: Μην τραβάτε τη σκανδάλη διακόπτη δυνατά χωρίς να πατήσετε μέσα το κουμπί απασφάλισης. Αυτό μπορεί να προκαλέσει βλάβη του διακόπτη.

Διάστημα μεταξύ μέγκενης και πλάκας οδηγού

▲ ΠΡΟΣΟΧΗ: Αφού ρυθμίσετε το διάστημα μεταξύ μέγκενης και πλάκας οδηγού, βεβαιωθείτε ότι η πλάκα οδηγός είναι κατάλληλα ασφαλισμένη. Η ανεπαρκής στερέωση μπορεί να οδηγήσει σε προσωπικό τραυματισμό.

Οι ακόλουθες ρυθμίσεις διαστήματος της μέγκενης είναι δυνατές:

- 0 - 170 mm (αρχική ρύθμιση)
- 35 - 205 mm
- 70 - 240 mm

Αν η εργασία σας απαιτεί διαφορετική ρύθμιση, προχωρήστε ως ακολούθως για να αλλάξετε την απόσταση ή το διάστημα.

Για το LW1400

Χαλαρώστε τη βίδα στην πλάκα οδηγού. Μετακινήστε την πλάκα οδηγού στην επιθυμητή θέση και μετά σφίξτε τη βίδα.

► **Εικ.5:** 1. Βίδα 2. Πλάκα οδηγός

Για το LW1401

Αφαιρέστε τα δύο εξαγωνικά μπουλόνια χρησιμοποιώντας κόιλο κλειδί. Μετακινήστε την πλάκα οδηγό στην επιθυμητή θέση και στερεώστε τη με τα εξαγωνικά μπουλόνια.

► **Εικ.6:** 1. Πλάκα οδηγός 2. Εξαγωνικά μπουλόνια

Ρύθμιση της γωνίας κοπής

▲ ΠΡΟΣΟΧΗ: Αφού ρυθμίσετε τη γωνία της πλάκας οδηγού, βεβαιωθείτε ότι η πλάκα οδηγού είναι κατάλληλα ασφαλισμένη. Η ανεπαρκής στερέωση μπορεί να οδηγήσει σε προσωπικό τραυματισμό.

Για το LW1400

Περιστρέψτε το μοχλό αριστερόστροφα. Μετακινήστε την πλάκα οδηγό στην επιθυμητή γωνία και σφίξτε πλήρως το μοχλό.

► **Εικ.7:** 1. Πλάκα οδηγός 2. Μοχλός

Για το LW1401

ΕΙΔΟΠΟΙΗΣΗ: Όταν πραγματοποιείται δεξιές λοξές κοπές, να ρυθμίζετε πάντα την πλάκα οδηγού στη θέση 0 - 170 mm. Η ρύθμιση στη θέση 35 - 205 mm ή 70 - 240 mm εμποδίζει την κίνηση της πλάκας αναστολής, γεγονός που έχει ως αποτέλεσμα αποτυχημένη κοπή.

Χαλαρώστε τα δύο εξαγωνικά μπουλόνια χρησιμοποιώντας κόιλο κλειδί. Περιστρέψτε την πλάκα οδηγό στην επιθυμητή γωνία και στερεώστε τη με τα εξαγωνικά μπουλόνια. Προσέξτε ώστε να μη μετακινήσετε τη ρυθμισμένη γωνία ενώ ασφαλίσετε τα εξαγωνικά μπουλόνια.

► **Εικ.8:** 1. Πλάκα οδηγός 2. Εξαγωνικά μπουλόνια

ΠΑΡΑΤΗΡΗΣΗ: Η κλίμακα στην πλάκα οδηγό είναι μια προχειρή ένδειξη. Για πιο ακριβή γωνία, χρησιμοποιήστε μοιρογνωμόνιο ή τριγωνικό χάρακα. Διατηρήστε τη χειρολαβή προς τα κάτω ώστε ο τροχός αποκοπής να επεκτείνεται στη βάση. Ταυτόχρονα, ρυθμίστε τη γωνία μεταξύ της πλάκας οδηγού και του τροχού αποκοπής με μοιρογνωμόνιο ή τριγωνικό χάρακα.

Ρύθμιση προφυλακτήρα σπινθήρων

Για το LW1401 μόνο (ειδικό της χώρας)

► **Εικ.9:** 1. Βίδα 2. Προφυλακτήρας σπινθήρων

Ο προφυλακτήρας σπινθήρων τοποθετείται από το εργοστάσιο με τη χαμηλότερη άκρη του να εφάπτεται στη βάση. Η λειτουργία του εργαλείου σε αυτή τη θέση θα έχει ως αποτέλεσμα να πεταχτούν πολλοί σπινθήρες. Χαλαρώστε τη βίδα και ρυθμίστε τον προφυλακτήρα σπινθήρων σε μια θέση όπου θα πετάνονται ελάχιστοι σπινθήρες.

Πλάκα αναστολής

Για το LW1401 μόνο (ειδικό της χώρας)

► **Εικ.10:** 1. Πλάκα αναστολής

Η πλάκα αναστολής εμποδίζει την επαφή του τροχού αποκοπής με τον πάγκο ή το δάπεδο. Όταν τοποθετείται καινούριος τροχός αποκοπής, ρυθμίστε την πλάκα αναστολής στη θέση (Α). Όταν ο τροχός αποκοπής φθαρεί

στο σημείο που το κάτω τμήμα του τεμαχίου εργασίας παραμένει άκοπο, ρυθμίστε την πλάκα αναστολής στη θέση (Β) για να επιτραπεί αυξημένη δυνατότητα κοπής με φθαρμένο τροχό.

ΣΥΝΑΡΜΟΛΟΓΗΣΗ

▲ ΠΡΟΣΟΧΗ: Να βεβαιώνετε πάντα ότι το εργαλείο είναι σβιστό και αποσυνδεδεμένο από την ηλεκτρική παροχή πριν εκτελέσετε οποιαδήποτε εργασία σε αυτό.

Ανοιγμα του προφυλακτήρα ασφάλειας τύπου κεντρικού κατακλιού

Ειδικό της χώρας

Για τα εργαλεία που είναι εξοπλισμένα με προφυλακτήρα ασφάλειας τύπου κεντρικού κατακλιού, χαλαρώστε πρώτα τη βίδα σύσφιξης και μετά σηκώστε τον προφυλακτήρα.

► **Εικ.11:** 1. Βίδα σύσφιξης

Ανοιγμα προφυλακτήρα ασφάλειας ευρωπαϊκού τύπου

Ειδικό της χώρας

Για τα εργαλεία που είναι εξοπλισμένα με προφυλακτήρα ασφάλειας ευρωπαϊκού τύπου, χαλαρώστε πρώτα τη βίδα σύσφιξης και μετά ανοίξτε τον προφυλακτήρα όπως απεικονίζεται.

► **Εικ.12:** 1. Βίδα σύσφιξης

► **Εικ.13**

► **Εικ.14**

Αφαίρεση ή τοποθέτηση του τροχού αποκοπής

▲ ΠΡΟΣΟΧΗ: Βεβαιώνετε να σφίξετε το αυτόματο κλείδωμα ή το εξαγωνικό μπουλόνι με ασφάλεια. Το ανεπαρκές σφίξιμο μπορεί να οδηγήσει σε σοβαρό τραυματισμό. Όταν σφίγγετε το εξαγωνικό μπουλόνι, χρησιμοποιήστε το κόιλο κλειδί που παρέχεται με το εργαλείο για να εξασφαλίσετε το κατάλληλο σφίξιμο.

▲ ΠΡΟΣΟΧΗ: Να χρησιμοποιείτε πάντα μόνο την κατάλληλη εσωτερική και εξωτερική φλάντζα που παρέχονται με το εργαλείο.

▲ ΠΡΟΣΟΧΗ: Να χαμηλώνετε πάντα τον προφυλακτήρα ασφάλειας αφού αντικαταστήσετε τον τροχό.

► **Εικ.15:** 1. Εσωτερική φλάντζα 2. Δακτύλιος 3. Στρογγυλός δακτύλιος 4. Τροχός αποκοπής 5. Εξωτερική φλάντζα 6. Αυτόματο κλείδωμα / Εξαγωνικό μπουλόνι

Για το LW1400

Ανεβάστε τον προφυλακτήρα ασφάλειας. Περιστρέψτε αριστερόστροφα το αυτόματο κλειδίωμα, ενώ κρατάτε πατημένο το εξάρτημα κλειδώματος άξονα. Στη συνέχεια, αφαιρέστε το αυτόματο κλειδίωμα, την εξωτερική φλάντζα και τον τροχό αποκοπής. Όταν αφαιρέσετε τον τροχό αποκοπής, μην αφαιρέσετε την εσωτερική φλάντζα ούτε το δακτύλιο και το στρογγυλό δακτύλιο.

- **Εικ.16:** 1. Εξάρτημα κλειδώματος άξονα
2. Αυτόματο κλειδίωμα

Για να τοποθετήσετε τον τροχό αποκοπής, ακολουθήστε τις διαδικασίες αφαίρεσης με αντίστροφη σειρά. Βεβαιωθείτε να προσαρμόσετε την οπή του τροχού αποκοπής στο δακτύλιο και να επιστρέψετε τον προφυλακτήρα ασφάλειας.

Για το LW1401

Ανεβάστε τον προφυλακτήρα ασφάλειας. Περιστρέψτε αριστερόστροφα το εξαγωνικό μπουλόνι χρησιμοποιώντας κοίλο κλειδί, ενώ κρατάτε πατημένο το εξάρτημα κλειδώματος άξονα. Μετά, αφαιρέστε το εξαγωνικό μπουλόνι, την εξωτερική φλάντζα και τον τροχό.

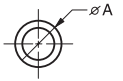
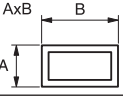
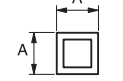

- **Εικ.17:** 1. Εξάρτημα κλειδώματος άξονα
2. Εξαγωνικό μπουλόνι

Για να τοποθετήσετε τον τροχό, ακολουθήστε τις διαδικασίες αφαίρεσης αντίστροφα. Βεβαιωθείτε να προσαρμόσετε την οπή του τροχού αποκοπής στο δακτύλιο και να επιστρέψετε τον προφυλακτήρα ασφάλειας.

Ικανότητα κοπής

Η μέγιστη ικανότητα κοπής διαφέρει ανάλογα με τη γωνία κοπής και το σχήμα του τεμαχίου εργασίας.

Μέγ. χωρητικότητα κοπής με ολοκαίνουριο τροχό αποκοπής

Γωνία κοπής / Σχήμα τεμαχίου εργασίας	90°	45°
	127 mm	127 mm
	115 x 130 mm 102 x 194 mm 70 x 233 mm	115 x 103 mm
	119 x 119 mm	106 x 106 mm
	137 x 137 x 10 mm	100 x 100 x 10 mm

ΛΕΙΤΟΥΡΓΙΑ

▲ΠΡΟΣΟΧΗ: Η σωστή πίεση στη χειρολαβή κατά το κόψιμο και η μέγιστη επάρκεια κοπής μπορούν να προσδιοριστούν από την ποσότητα των σπινθήρων που παράγονται κατά το κόψιμο. Μην ζορίζετε το κόψιμο εφαρμόζοντας υπερβολική πίεση στη χειρολαβή. Αυτό μπορεί να προκαλέσει μειωμένη επάρκεια κοπής, πρόωγη φθορά τροχού, καθώς και πιθανή βλάβη του εργαλείου, του τροχού αποκοπής ή του τεμαχίου εργασίας.

Κρατάτε τη χειρολαβή σταθερά. Ενεργοποιήστε το εργαλείο και περιμένετε μέχρι ο τροχός να αποκτήσει πλήρη ταχύτητα πριν τον χαμηλώσετε απαλά στο κόψιμο. Όταν ο τροχός κάνει επαφή με το τεμάχιο εργασίας, πιέστε βαθμιαία προς τα κάτω τη χειρολαβή για να εκτελέσετε την κοπή. Όταν το κόψιμο ολοκληρωθεί, σβήστε το εργαλείο και περιμένετε μέχρι ο τροχός να σταματήσει τελείως πριν επαναφέρετε τη χειρολαβή στην πλήρως ανασηκωμένη θέση.

Ασφάλιση τεμαχίου εργασίας

▲ΠΡΟΣΟΧΗ: Να θέτετε πάντα την υποδοχή σπειρώματος στα σπειρώματα άξονα όταν ασφαλίσετε το τεμάχιο εργασίας. Διαφορετικά μπορεί το τεμάχιο εργασίας να μη στερεωθεί επαρκώς. Αυτό μπορεί να προκαλέσει εκτόξευση του τεμαχίου εργασίας ή επικίνδυνη ζημιά του τροχού.

Ενώ ανυψώνεται η υποδοχή σπειρώματος, η πλάκα μέγκενης μπορεί να μετακινηθεί μέσα από τα γρήγορα. Για να συγκρατήσετε το τεμάχιο εργασίας, στρώστε τη χειρολαβή μέχρι η πλάκα μέγκενης να έρθει σε επαφή με το τεμάχιο εργασίας και μετά επιστρέψτε την υποδοχή σπειρώματος. Περιστρέψτε τη χειρολαβή δεξιόστροφα μέχρι να συγκρατείτε καλά το τεμάχιο εργασίας.

- **Εικ.18:** 1. Χειρολαβή 2. Υποδοχή σπειρώματος
3. Πλάκα μέγκενης

Όταν ο τροχός αποκοπής έχει φθαρεί σημαντικά, χρησιμοποιήστε ένα τάκο ρύθμισης απόστασης πίσω από το τεμάχιο εργασίας, όπως απεικονίζεται στην εικόνα. Μπορείτε να αξιοποιήσετε πιο αποδοτικά το φθαμένο τροχό χρησιμοποιώντας το μεσαίο σημείο στην περιφέρεια του τροχού για να κόψετε το τεμάχιο εργασίας. Χρησιμοποιήστε ένα ανθεκτικό και μη εύφλεκτο υλικό για τόσο ρύθμισης απόστασης.

- **Εικ.19:** 1. Τάκος ρύθμισης απόστασης

Όταν κόβετε τεμάχια εργασίας που είναι μεγαλύτερα από 85 mm σε πλάτος υπό γωνία, συνάψτε ένα ίσιο κομμάτι ξύλου (τάκο ρύθμισης απόστασης), διαστάσεων μεγαλύτερων από 190 mm σε μήκος x 45 mm σε πλάτος, στην πλάκα οδηγό όπως απεικονίζεται στην εικόνα. Συνάψτε αυτόν τον τάκο ρύθμισης απόστασης με βίδες διαμέσου των τρυπών στην πλάκα οδηγό. Φροντίστε ο τροχός αποκοπής να μην έρχεται σε επαφή με τον τάκο ρύθμισης απόστασης όταν η κεφαλή εργαλείου είναι πατημένη.

- **Εικ.20:** 1. Πλάκα οδηγός 2. Τάκος ρύθμισης απόστασης (άνω των 190 mm σε μήκος x45 mm σε πλάτος) 3. Τεμάχιο εργασίας (άνω των 85 mm σε πλάτος) 4. Πλάκα μέγκενης

► **Εικ.21**

Όταν ο τροχός αποκοπής έχει φθαρεί σημαντικά, σηκώστε τη θέση κοπή τοποθετώντας έναν τάκο ρύθμισης απόστασης που είναι λίγο στενότερος από το τεμάχιο εργασίας, όπως απεικονίζεται στην εικόνα. Αυτό θα συμβάλει στην οικονομική χρήση του τροχού.

- **Εικ.22:** 1. Πλάκα μέγκενης 2. Διάμετρος τεμαχίου εργασίας 3. Πλάκα οδηγός 4. Πλάτος τάκου ρύθμισης απόστασης

Μακριά τεμάχια εργασίας πρέπει να υποστηρίζονται από τάκους σε κάθε πλευρά έτσι ώστε να είναι ευθυγραμμισμένα με την κορυφή της βάσης. Χρησιμοποιήστε μη εύφλεκτο υλικό για τη τάκους στήριξης.

- **Εικ.23:** 1. Τάκος υποστήριξης

Μεταφορά εργαλείου

Διπλώστε κάτω την κεφαλή εργαλείου και ασφαλίστε την. Κρατάτε τη χειρολαβή κατά τη μεταφορά.

► **Εικ.24**

ΣΥΝΤΗΡΗΣΗ

ΠΡΟΣΟΧΗ: Να βεβαιώνετε πάντα ότι το εργαλείο είναι σβηστό και αποσυνδεδεμένο από την ηλεκτρική παροχή πριν εκτελέσετε οποιαδήποτε εργασία επιθεώρησης ή συντήρησης σε αυτό.

ΕΙΔΟΠΟΙΗΣΗ: Μην χρησιμοποιείτε ποτέ βενζίνη, πετρελαϊκό αιθέρα, διαλυτικό, αλκοόλη ή παρόμοιες ουσίες. Μπορεί να προκληθεί αποχρωματισμός, παραμόρφωση ή ρωγμές.

Αντικατάσταση καρβουνακίων

- **Εικ.25:** 1. Σημάδι ορίου

Να ελέγχετε τα καρβουνάκια τακτικά. Αντικαταστήστε τα όταν φθαρούν μέχρι το σημάδι ορίου. Διατηρείτε τα καρβουνάκια καθαρά και ελεύθερα να γλιστρούν στις θήκες. Και τα δύο καρβουνάκια πρέπει να αντικαθίστανται ταυτόχρονα. Χρησιμοποιείτε μόνο καρβουνάκια ίδιου τύπου.

1. Χρησιμοποιήστε ένα κατσαβίδι για να αφαιρέσετε τα καπάκια των θηκών καρβουνακίων.
2. Αφαιρέστε τα φθαρμένα καρβουνάκια, τοποθετήστε τα καινούρια και ασφαλίστε τα καπάκια των θηκών καρβουνακίων.

- **Εικ.26:** 1. Καπάκι θήκης καρβουνακίου

ΠΡΟΑΙΡΕΤΙΚΑ ΕΞΑΡΤΗΜΑΤΑ

ΠΡΟΣΟΧΗ: Αυτά τα εξαρτήματα ή προσαρτήματα συνιστώνται για χρήση με το εργαλείο Makita που περιγράφηκε στις οδηγίες αυτές. Η χρήση οποιωνδήποτε άλλων εξαρτημάτων ή προσαρτημάτων μπορεί να προκαλέσει κίνδυνο τραυματισμού σε άτομα. Να χρησιμοποιείτε τα εξαρτήματα ή προσαρτήματα μόνο για την χρήση που προορίζονται.

Εάν χρειάζεστε οποιαδήποτε βοήθεια για περισσότερες πληροφορίες σε σχέση με αυτά τα εξαρτήματα, απευθυνθείτε στο τοπικό σας κέντρο εξυπηρέτησης Makita.

- Λειαντικοί τροχοί αποκοπής
- Κόιλο κλειδί (για το LW1401 μόνο)

ΠΑΡΑΤΗΡΗΣΗ: Μερικά στοιχεία στη λίστα μπορεί να συμπεριλαμβάνονται στη συσκευασία εργαλείου ως στάνταρ εξαρτήματα. Μπορεί να διαφέρουν ανάλογα με τη χώρα.

TEKNİK ÖZELLİKLER

Model:		LW1400	LW1401
Disk çapı		355 mm	
Delik çapı		25,4 mm	
Yüksüz hız		3.800 min ⁻¹	
Ebat (U x G x Y)	Avrupa tipi emniyet kapağı ile birlikte	530 mm x 295 mm x 640 mm	500 mm x 295 mm x 640 mm
	Avrupa tipi olmayan emniyet kapağı ile birlikte	530 mm x 290 mm x 640 mm	500 mm x 290 mm x 620 mm
Net ağırlık	Avrupa tipi emniyet kapağı ve alt kapakla birlikte	18,7 kg	18,3 kg
Güvenlik sınıfı		II	

- Sürekli yapılan araştırma ve geliştirmelerden dolayı, burada belirtilen özellikler önceden bildirilmeksizin değiştirilebilir.
- Özellikler ülkeden ülkeye değişebilir.
- EPTA_Prosedürü 01/2003 uyarınca ağırlık
- Şekil ve ağırlık ülkeden ülkeye değişen teknik özelliklere bağlı olarak farklılık gösterir.

Kullanım amacı

Bu alet uygun aşındırıcı kesme diski ile demir malzemelerin kesilmesi için tasarlanmıştır. Ülkenizde toz ve iş yeri sağlığı ve güvenliğiyle ilgili tüm yasalara ve yönetmeliklere uyun.

Güç kaynağı

Aletin, yalnızca isim levhasında belirtilenle aynı voltajlı güç kaynağına bağlanması gerekir ve yalnızca tek fazlı AC güç kaynağıyla çalıştırılabilir. Çifte yalıtımlıdır ve topraklamasız prizlerle de kullanılabilir.

220 V ile 250 V arası umumi düşük voltaj dağıtım sistemleri için

Elektrikli aletlerin açma-kapama işlemleri voltaj dalgalanmalarına sebep olur. Ana şebekenin uygun olmadığı koşullarda, bu makinanın çalıştırılması diğer cihazların çalışması üzerinde ters etki yapabilir. Ana şebeke impedansının 0,18 Ohms'a eşit veya ondan daha küçük olması durumunda, ters etkilerin olmayacağı varsayılabilir. Bu makinanın bağlı olduğu ana şebeke prizi, yavaş tetikleme özellikleri olan bir sigorta veya koruyucu devre kesici ile korunmalıdır.

Gürültü

Tipik A-ağırlıklı gürültü düzeyi (EN61029 standardına göre belirlenen):

Model LW1400

Ses basınç seviyesi (L_{PA}): 102 dB (A)

Ses gücü düzeyi (L_{WA}): 110 dB (A)

Belirsizlik (K): 3 dB (A)

Model LW1401

Ses basınç seviyesi (L_{PA}): 102 dB (A)

Ses gücü düzeyi (L_{WA}): 110 dB (A)

Belirsizlik (K): 3 dB (A)

UYARI: Kulak koruyucuları takın.

Titreşim

Titreşim toplam değeri (üç eksenli vektör toplamı) (EN61029 standardına göre hesaplanan):

Model LW1400

Titreşim emisyonu (a_h): 2,5 m/s²'den az
Belirsizlik (K) : 1,5 m/s²

Model LW1401

Titreşim emisyonu (a_h): 2,5 m/s²'den az
Belirsizlik (K) : 1,5 m/s²

NOT: Beyan edilen titreşim emisyon değeri standart test yöntemine uygun şekilde ölçülmüştür ve bir aleti bir başkasıyla karşılaştırmak için kullanılabilir.

NOT: Beyan edilen titreşim emisyon değeri bir ön maruz kalma değerlendirmesi olarak da kullanılabilir.

UYARI: Bu elektrikli aletin gerçek kullanımı sırasındaki titreşim emisyonu aletin kullanım biçimlerine bağlı olarak beyan edilen emisyon değerinden farklı olabilir.

UYARI: Gerçek kullanım koşullarındaki maruz kalmanın bir tahmini hesaplaması temelinde operatörü koruyacak güvenlik önlemlerini mutlaka belirleyin (çalışma döngüsü içerisinde aletin kapalı olduğu ve aktif durumda olmasının yanı sıra boşta çalıştığı zamanlar gibi, bütün zaman dilimleri göz önünde bulundurularak değerlendirilmelidir).

EC Uygunluk Beyanı

Sadece Avrupa ülkeleri için

Biz Makita Corporation beyan ederiz ki aşağıdaki makine(ler):

Makine Adı: Portatif Kesici

Model No./ Tipi: LW1400, LW1401

aşağıdaki Avrupa Direktiflerine uygundur:

2006/42/EC

Aşağıdaki standartlara veya standartlaştırılmış belgelere uygun olarak imal edilmişlerdir: EN60745
2006/42/EC uyumluluğuna ilişkin teknik dosyaya şuradan ulaşılabilir:

Makita, Jan-Baptist Vinkstraat 2, 3070, Belçika
21.5.2015

Yasushi Fukaya

Yasushi Fukaya

Müdür

Makita, Jan-Baptist Vinkstraat 2, 3070, Belçika

Genel elektrikli alet güvenliği uyarıları

UYARI: Tüm güvenlik uyarılarını ve tüm talimatları okuyun. Uyarılara ve talimatlara uyulmaması elektrik şoku, yangın ve/veya ciddi yaralanmalar ile sonuçlanabilir.

Tüm uyarıları ve talimatları ile-ride başvurmak için saklayın.

Uyarılardaki "elektrikli alet" terimi ile ya prizden çalışan (kordonlu) elektrikli aletiniz ya da kendi aküsü ile çalışan (kordsuz) elektrikli aletiniz kastedilmektedir.

Alet ile ilgili ek güvenlik kuralları

1. Koruyucu gözlük takın. Ayrıca, uzun süreli kullanım sırasında kulaklık takın.
2. Sadece üreticinin tavsiye ettiği, maksimum çalışma hızının en az aletin anma plakasında belirtilen "No load RPM" (Yüksüz Devir/Dakika) değeri kadar yüksek olduğu diskleri kullanın. Sadece cam elyaf takviyeli kesme disklerini kullanın.
3. Diski kullanmadan önce çatlak veya hasar olup olmadığını dikkatlice kontrol edin. Çatlak ya da hasarlı diskleri hemen değiştirin.
4. Diski dikkatlice sabitleyin.
5. Sadece bu alet için belirtilen flanşları kullanın.
6. Mile, flanşlara (özellikle montaj yüzeyine) ya da civataya hasar vermemeye dikkat edin, aksi takdirde diskin kendisi kırılabilir.
7. Kapakların yerinde ve çalışır halde olmasını sağlayın.
8. Tutamağı sıkıca tutun.
9. Ellerinizi dönen parçalardan uzak tutun.
10. Alet çalıştırılmadan önce diskin iş parçasına değmediğinden emin olun.
11. Aleti gerçek bir iş parçası üzerinde kullanmadan önce birkaç dakika boşa çalıştırın. Hatalı montaj ya da diskin tam dengede olmamasından kaynaklanabilecek sallanma ya da aşırı titreşim olup olmadığına dikkat edin.
12. Çalışma sırasında sıçrayan kıvılcıklara dikkat edin. Kıvılcıklar, yaralanmalara ya da yanıcı maddelerin tutuşmasına neden olabilir.
13. Kıvılcıkların tutuşturabileceği malzeme ya da talaşları ortadan kaldırın. Kıvılcıkların yakınında başka insanların olmadığından emin

olun. Yakınızdaki uygun, dolu bir yangın söndürücü bulundurun.

14. Diskin sadece kesme kenarını kullanın. Yan yüzeyi kesinlikle kullanmayın.
15. Disk çalışma sırasında durursa, garip sesler çıkarır ya da titremeye başlarsa aleti hemen kapatın.
16. İş parçasını çıkarmadan ya da sabitlemeden önce, mengeneyle çalışmadan önce, çalışma konumunu, açısını ya da diskin kendisini değiştirmeden önce cihazı daima kapatın ve diskin tamamen durmasını bekleyin.
17. Çalışma biter bitmez iş parçasına dokunmayın; aşırı sıcaktır ve cildinizi yakabilir.
18. Diskleri sadece kuru bir yerde saklayın.
19. Tozlu koşullarda çalışırken havalandırma deliklerinin açık tutulduğundan emin olun. Tozun temizlenmesi gerekirse, önce aletin ana şebeke prizinden bağlantısını kesin (metal olmayan nesnelere kullanın) ve içteki parçaların zarar görmesini önleyin.

BU TALİMATLARI MUHAFAZA EDİNİZ.

KURULUM

UYARI: Bu alet bir iş parçasını keserken kıvılcım üretir. Bu aleti, aletten çıkan kıvılcıklarla tutuşabilecek yanıcı ve/veya patlayıcı malzemelerin olduğu yerlere kurmayın. Ayrıca çalışmaya başlamadan önce aletin yakınında böyle bir malzeme olmadığından emin olun.

Tabanın sabitlenmesi

Bu alet, aletin tabanındaki civata delikleri kullanılarak, iki civatayla düz ve dengeli bir yüzeye sabitlenmelidir. Bu, devrilmeyi ve olası kişisel yaralanmaları önlemeye yardımcı olur.

► Şek.1: 1. Civata delikleri 2. Taban

İŞLEVSEL NİTELİKLER

DİKKAT: Alet üzerinde ayarlama ya da işleyiş kontrolü yapmadan önce aletin kapalı ve fişinin çekili olduğundan daima emin olun.

Alet kafasının kilidinin açılması/kilitlenmesi

Alet kafası kilitlenebilir. Kullanımda değilken ya da taşırken, alet kafasını daima kilitleyin.

LW1400 için

Kilidi açmak için, alet kafasına hafifçe bastırın ve kilit pimini itin. Kilitlemek için, alet kafasını aşağıda tutarken kilit pimini önceki haline döndürün.

► Şek.2: 1. Kilit pimi

LW1401 için

Kilit zincirini kancadan çıkarın. Kullanımda değilken kilit zincirini daima kancaya asın.

► **Şek.3:** 1. Kanca 2. Kilit zinciri

Anahtar işlemleri

⚠UYARI: Aleti fişe takmadan önce anahtar tetiğinin doğru çalıştığından ve bırakıldığında "OFF" (kapalı) konumuna döndüğünden emin olun.

► **Şek.4:** 1. Kilitleme düğmesi / Güvenlik kilidi düğmesi 2. Anahtar tetik

Kilitleme düğmeli aletler için

Makinayı çalıştırmak için anahtar tetiği çekin. Durdurmak için anahtar tetiği serbest bırakın. Sürekli işletmek için, anahtar tetiği çekin, kilitleme düğmesine basın ve sonra anahtar tetiği serbest bırakın. Aleti kilitle pozisyonundan çıkarmak için, anahtar tetiği tamamen çekip sonra serbest bırakın.

⚠DİKKAT: Uzun süreli kullanım sırasında kullanıcının rahatlığı için anahtar "ON" (açık) konumuna kilitlelenebilir. Anahtar "ON" (açık) konumunda kilitleyken dikkatli olun ve aleti sıkı kavrayın.

Güvenlik kilidi düğmeli aletler için

Anahtar tetiğinin yanlışlıkla çekilmesini önlemek için bir güvenlik kilidi düğmesi sağlanmıştır. Aleti başlatmak için, güvenlik kilidi düğmesine bastırın ve anahtar tetiği çekin. Durdurmak için anahtar tetiği serbest bırakın.

⚠UYARI: Güvenlik kilidi düğmesini ASLA bantlayarak ya da başka bir yöntemle devre dışı bırakmaya çalışmayın. Güvenlik kilidi düğmesi devre dışı bırakılmış bir anahtar, istem dışı çalışmaya ve ciddi kişisel yaralanmalara neden olabilir.

⚠UYARI: Güvenlik kilidi düğmesine basmadan sadece anahtar tetik çekildiğinde çalışan bir aleti ASLA kullanmayın. Tamir edilmesi gereken bir anahtar, istem dışı çalışmaya ve ciddi kişisel yaralanmalara neden olabilir. Daha fazla kullanmadan ÖNCE doğru bir şekilde tamir ettirmek için aleti bir Makita servisine götürün.

ÖNEMLİ NOT: Güvenlik kilidi düğmesine basmadan anahtar tetiği sıkıca çekmeyin. Bu, anahtarın kırılmasına neden olabilir.

Mengene ve kılavuz plaka arasındaki aralık

⚠DİKKAT: Mengene ve kılavuz plaka arasındaki aralığı ayarladıktan sonra, kılavuz plakanın düzgün bir şekilde sabitlendiğinden emin olun. Yetersiz sabitleme kişisel yaralanmalara neden olabilir.

Mengene için aşağıdaki aralık ayarları kullanılabilir:

- 0 - 170 mm (orijinal ayar)
- 35 - 205 mm
- 70 - 240 mm

Yaptığınız çalışma farklı bir ayar gerektiriyorsa, boşluğu ya da aralığı değiştirmek için aşağıdaki işlemleri yapın.

LW1400 için

Kılavuz plaka üzerindeki vidayı gevşetin. Kılavuz plakayı istenilen konuma taşıyın ve daha sonra vidayı sıkın.

► **Şek.5:** 1. Vida 2. Kılavuz plaka

LW1401 için

Bir lokma anahtarı kullanarak altıgen başlı iki civatayı sökün. Kılavuz plakayı istenilen konuma taşıyın ve altıgen başlı civatalarla sabitleyin.

► **Şek.6:** 1. Kılavuz plaka 2. Altıgen başlı civatalar

Kesme açısı ayarı

⚠DİKKAT: Kılavuz plakanın açısını ayarladıktan sonra, kılavuz plakanın düzgün bir şekilde sabitlendiğinden emin olun. Yetersiz sabitleme kişisel yaralanmalara neden olabilir.

LW1400 için

Kolu saatin aksi yönde çevirin. Kılavuz plakayı istenilen açıya getirin ve kolu tamamen sıkın.

► **Şek.7:** 1. Kılavuz plaka 2. Kol

LW1401 için

ÖNEMLİ NOT: Sağ gönye kesme yaparken, kılavuz plakayı daima 0 - 170 mm konumuna ayarlayın. 35 - 205 mm veya 70 - 240 mm konumuna ayarlamak durdurucu plakanın hareketini engeller, bu da hatalı kesime neden olur.

Bir lokma anahtarı kullanarak altıgen başlı iki civatayı gevşetin. Kılavuz plakayı istenilen açıya döndürün ve altıgen başlı civatalarla sabitleyin. Altıgen başlı civataları sabitlerken ayar açısını hareket ettirmemeye dikkat edin.

► **Şek.8:** 1. Kılavuz plaka 2. Altıgen başlı civatalar

NOT: Kılavuz plaka üzerindeki ölçek sadece kaba bir göstergedir. Daha doğru bir açı için, bir açı ölçeği ya da üçgen cetvel kullanın. Kesme diskinin tabana doğru uzanması için tutamağı aşağıda tutun. Aynı anda, kılavuz plaka ile kesme diski arasındaki açıyı bir açı ölçeği ya da üçgen cetvelle ölçerek ayarlayın.

Kıvılcıma karşı koruyucunun ayarlanması

Sadece LW1401 için (ülkeye özgü)

► **Şek.9:** 1. Vida 2. Kıvılcıma karşı koruyucu

Kıvılcıma karşı koruyucu, alt kenarı tabana temas edecek şekilde fabrikada monte edilmiştir. Alet bu konumda çalıştırılırsa, yoğun kıvılcımlar etrafa uçuşur. Vidayı gevşetin ve kıvılcıma karşı koruyucuyu en az sayıda kıvılcım etrafa uçuşacak konuma getirin.

Durdurucu plaka

Sadece LW1401 için (ülkeye özgü)

► **Şek.10:** 1. Durdurucu plaka

Durdurucu plaka, kesme diskinin tezgaha ya da zemine temas etmesini önler. Yeni bir kesme diski takıldığında durdurucu plakayı (A) konumuna ayarlayın. Kesme diski, iş parçasının alt kısmı kesilmeden kalacak kadar

aşındığında, aşınmış bir disk için artırılmış kesme kapasitesine izin vermek için, durdurucu plakayı (B) konumuna ayarlayın.

MONTAJ

⚠ DİKKAT: Alet üzerinde herhangi bir iş yapmadan önce aletin kapalı ve fişinin çekili olduğundan daima emin olun.

Orta kapaklı tip emniyet kapağının açılması

Ülkeye özgü

Orta kapaklı tip emniyet kapağıyla donatılmış aletler için, önce sıkıştırma vidasını gevşetin, sonra kapağı kaldırın.

► **Şek.11:** 1. Sıkıştırma vidası

Avrupa tipi emniyet kapağının açılması

Ülkeye özgü

Avrupa tipi emniyet kapağıyla donatılmış aletler için, önce sıkıştırma vidasını gevşetin, sonra gösterildiği gibi kapağı açın.

► **Şek.12:** 1. Sıkıştırma vidası

► **Şek.13**

► **Şek.14**

Kesme diskinin çıkarılması veya takılması

⚠ DİKKAT: Aletsiz kelepçe veya altıgen başlı civatanın iyice sıkılmış olduğundan emin olun. Yetersiz sıkılama ciddi yaralanmalara neden olabilir. Altıgen başlı civatayı sıkılarken, düzgün sıkılamayı temin etmek için aletle birlikte verilen lokma anahtarını kullanın.

⚠ DİKKAT: Daima sadece bu aletle birlikte temin edilen uygun iç ve dış flanşları kullanın.

⚠ DİKKAT: Diski yerine yerleştirdikten sonra emniyet kapağını daima alçaltın.

► **Şek.15:** 1. İç flanş 2. Bilezik 3. O-halka 4. Kesme diskisi 5. Dış flanş 6. Aletsiz kelepçe / Altıgen başlı civata

LW1400 için

Emniyet kapağını kaldırın. Şaft kilidini aşağıda tutarak aletsiz kelepçeyi saatin aksi yönde çevirin. Ardından, aletsiz kelepçeyi, dış flanşı ve kesme diskini çıkarın. Kesme diskini çıkarırken iç flanşı, bileziği ve O-halkayı sökmeyin.

► **Şek.16:** 1. Şaft kilidi 2. Aletsiz kelepçe

Kesme diskini takmak için, sökme işlemini tersinden uygulayın. Kesme diskinin deliğinin bileziğe oturduğundan emin olun ve emniyet kapağını geri takın.

LW1401 için

Emniyet kapağını kaldırın. Şaft kilidini aşağıda tutarak altıgen başlı civatayı bir lokma anahtarını kullanarak saatin aksi yönde çevirin. Ardından altıgen başlı civatayı, dış flanşı ve diskini sökün.

► **Şek.17:** 1. Şaft kilidi 2. Altıgen başlı civata

Diski takmak için, sökme işlemini tersinden uygulayın. Kesme diskinin deliğinin bileziğe oturduğundan emin olun ve emniyet kapağını geri takın.

KULLANIM


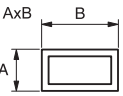
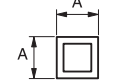

⚠ DİKKAT: Kesme işlemi sırasında tutamağa uygulanacak olan uygun baskı ve maksimum kesme verimi, kesme sırasında meydana gelen kıvılcım miktarına bakarak belirlenebilir. Tutamak üzerine aşırı baskı uygulayarak kesimi zorlamayın. Kesme veriminde düşüş, diskte erken aşınma ve ayrıca alette, kesme diskinde ya da iş parçasında olası bir hasar meydana gelebilir.

Tutamağı sıkıca tutun. Aleti çalıştırın, kesimin içine yavaşça indirmeden önce diskin tam hıza ulaşmasını bekleyin. Disk iş parçasına temas edince, kesme işlemini gerçekleştirmek için tutamağın üzerine kademeli olarak bastırın. Kesme işlemi tamamlanınca, aleti kapatın ve tutamağı tam yukarı konuma getirmeden önce disk tamamen durana kadar bekleyin.

Kesme kapasitesi

Maksimum kesme kapasitesi, kesme açısına ve iş parçasının şekline bağlı olarak değişir.

İlk kez kullanılacak yeni bir kesme diskinin maksimum kesme kapasitesi

Kesme açısı / İş parçasının şekli	90°	45°
	127 mm	127 mm
	115 x 130 mm 102 x 194 mm 70 x 233 mm	115 x 103 mm
	119 x 119 mm	106 x 106 mm
	137 x 137 x 10 mm	100 x 100 x 10 mm

İş parçasının sabitlenmesi

⚠ DİKKAT: İş parçasını sabitlerken dış tutucuyu daima şaft dişlerinin üzerine yerleştirin. Bunun yapılmaması, iş parçasının yeterince sabitlenmesine neden olabilir. Bu da iş parçasının fırlayıp atılmasına ya da diskin tehlikeli şekilde kırılmasına sebep olabilir.

Diş tutucu kalkık durumdayken, mengene plakası hızlı bir şekilde içeri ve dışarı hareket ettirilebilir. Bir iş parçasını tutmak için, mengene plakası iş parçasıyla temas edene kadar tutamağı itin, ardından diş tutucuyu geri yerleştirin. İş parçası sıkı bir şekilde tutulana kadar tutamağı saat yönünde döndürün.

► **Şek.18:** 1. Tutamak 2. Diş tutucu 3. Mengene plakası

Kesme diski büyük ölçüde aşındığı zaman, iş parçasının arkasına resimde gösterildiği gibi bir ara blok yerleştirin. İş parçasını kesmek için disk çevresinin orta noktasını kullanarak, aşınmış diski daha verimli kullanabilirsiniz. Ara blok olarak sağlam ve yanmaz bir malzeme kullanın.

► **Şek.19:** 1. Ara blok

85 mm'den daha geniş parçaları belli bir açıda keserken, 190 mm uzunluk ve 45 mm genişliğin üzerinde ahşap ve düz bir parçayı (ara parça) şekilde görüldüğü gibi kılavuz plakaya takın. Bu ara parçayı, vidaları kullanarak kılavuz plakadaki deliklere tespit edin. Alet kafasına bastırırken kesme diskinin ara parçaya temas etmediğinden emin olun.

► **Şek.20:** 1. Kılavuz plaka 2. Ara blok (190 mm uzunluk ve 45 mm genişliğin üzerinde)
3. İş parçası (85 mm genişliğin üzerinde)
4. Mengene plakası

► **Şek.21**

Kesme diski aşındığı zaman, iş parçasının arkasına resimde gösterildiği gibi iş parçasından biraz daha dar bir ara blok yerleştirerek kesme konumunu yükseltin. Bu, diski tasarruflu bir şekilde kullanmanıza yardımcı olur.

► **Şek.22:** 1. Mengene plakası 2. İş parçasının çapı
3. Kılavuz plaka 4. Ara bloğun genişliği

Uzun iş parçalarının tabanın üstüyle hizalı olması için, her iki tarafından bloklarla desteklenmesi gerekir. Destekleyici blok olarak yanmaz malzeme kullanın.

► **Şek.23:** 1. Destekleyici blok

Aletin taşınması

Alet kafasını aşağı doğru katlayın ve kilitleyin. Taşırken tutamaktan tutun.

► **Şek.24**

BAKIM

⚠ DİKKAT: Muayene ya da bakım yapmadan önce aletin kapalı ve fişinin çekili olduğundan daima emin olun.

ÖNEMLİ NOT: Benzin, tiner, alkol ve benzeri maddeleri kesinlikle kullanmayın. Renk değişimi, deformasyon veya çatlaklar oluşabilir.

Karbon fırçaların değiştirilmesi

► **Şek.25:** 1. Sınır işareti

Karbon fırçaları düzenli olarak kontrol edin. Sınır işaretine kadar yıprandıkları zaman değiştirin. Karbon fırçaların temiz ve yuvaları içinde serbestçe kayar durumda kalmalarını sağlayın. Her iki karbon fırça aynı zamanda değiştirilmelidir. Sadece birbirinin aynısı olan karbon fırçaları kullanın.

1. Fırça tutucu kapaklarını çıkarmak için bir tornavida kullanın.

2. Aşınmış karbon fırçalarını çıkarıp yenilerini takın ve fırça tutucu kapaklarını sabitleyin.

► **Şek.26:** 1. Fırça tutucu kapağı

İSTEĞE BAĞLI AKSESUARLAR

⚠ DİKKAT: Bu aksesuarlar ve ek parçalar bu el kitabında belirtilen Makita aletiniz ile kullanılmak için tavsiye edilmektedir. Herhangi başka bir aksesuar ya da ek parça kullanılması insanlar için bir yaralanma riski getirebilir. Aksesuarları ya da ek parçaları yalnızca belirtilmiş olan kullanım amaçlarına uygun olarak kullanın.

Bu aksesuarlarla ilgili daha fazla bilgiye ihtiyaç duyarsanız bulunduğunuz yerdeki yetkili Makita servisine başvurun.

- Aşındırıcı kesme diskleri
- Lokma anahtarları (sadece LW1401 için)

NOT: Listedeki parçaların bazıları alet paketi içerisinde standart aksesuar olarak dahil edilmiş olabilir. Bunlar ülkeden ülkeye farklılık gösterebilir.

Makita Jan-Baptist Vinkstraat 2, 3070, Belgium
Makita Corporation Anjo, Aichi, Japan

www.makita.com

885456-993
EN, FR, DE, IT,
NL, ES, PT, DA,
EL, TR
20150819