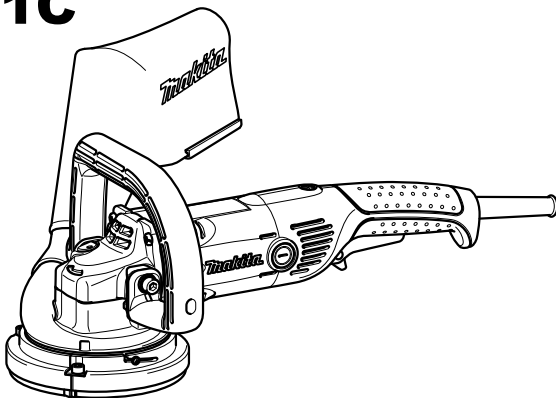
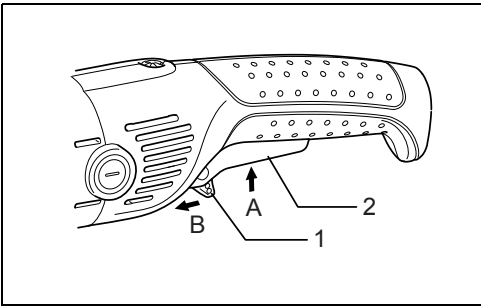




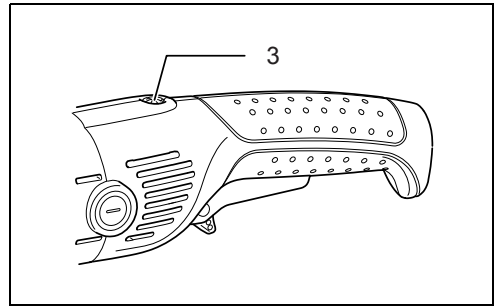
<b>GB Concrete Planer</b>	<b>Instruction manual</b>
<b>F Surfaceuse à béton</b>	<b>Manuel d'instructions</b>
<b>D Betonschleifer</b>	<b>Betriebsanleitung</b>
<b>I Piatta per cemento</b>	<b>Istruzioni per l'uso</b>
<b>NL Handbetonschuurmachine</b>	<b>Gebruiksaanwijzing</b>
<b>E Desbastadora de diamante</b>	<b>Manual de instrucciones</b>
<b>P Plaina para cimento</b>	<b>Manual de instruções</b>
<b>DK Betonhøvl</b>	<b>Brugsanvisning</b>
<b>GR Πλάνη τσιμέντου</b>	<b>Οδηγίες χρήσης</b>

**PC5000C**  
**PC5001C**

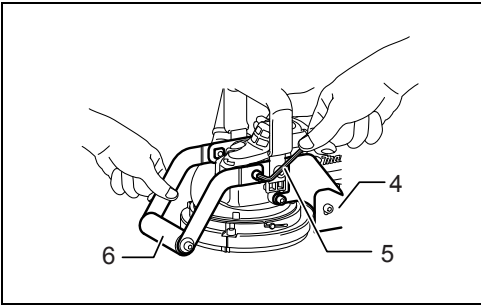




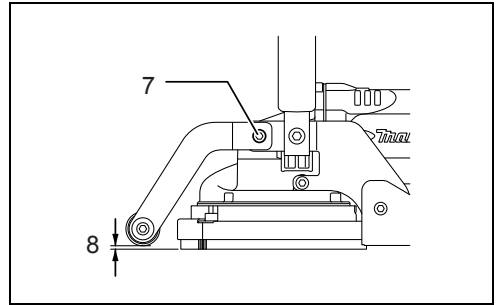
1



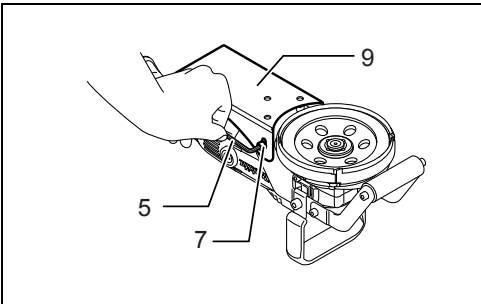
2



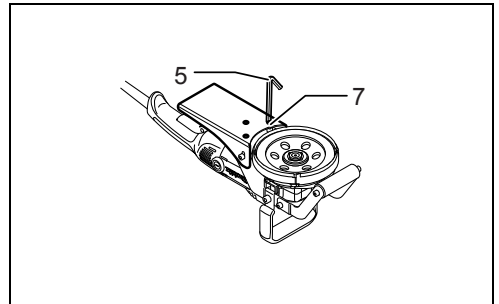
3



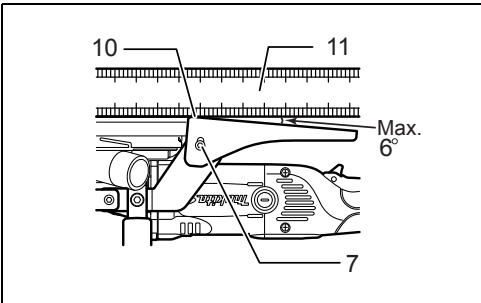
4



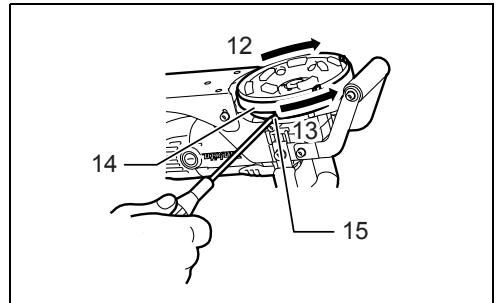
5



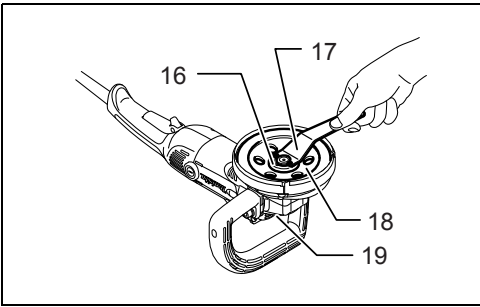
6



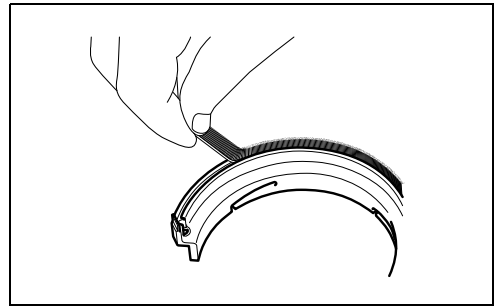
7



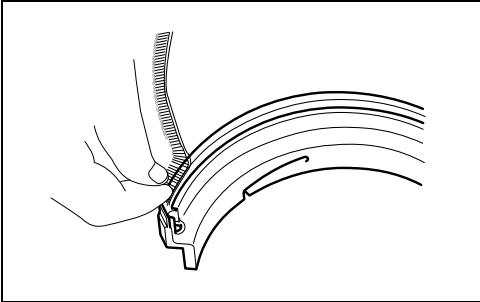
8



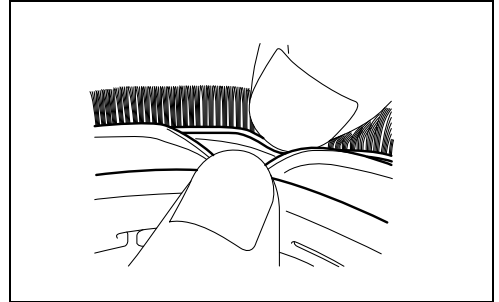
9



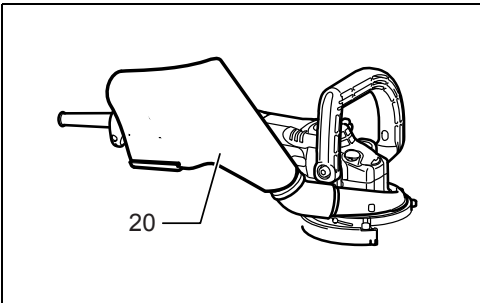
10



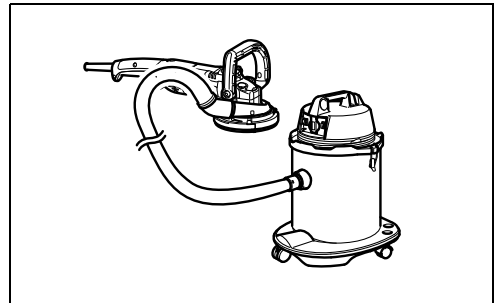
11



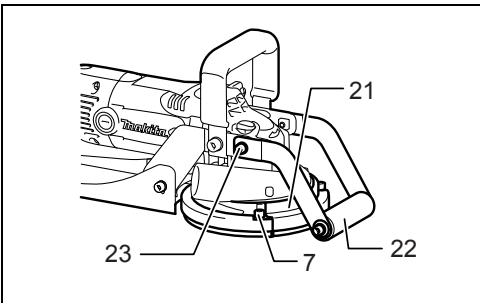
12



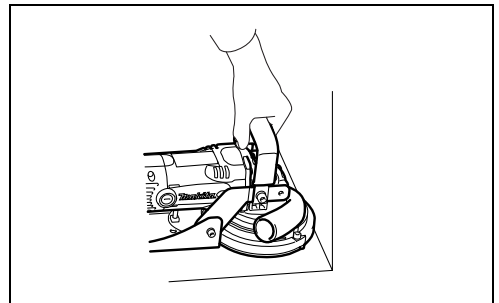
13



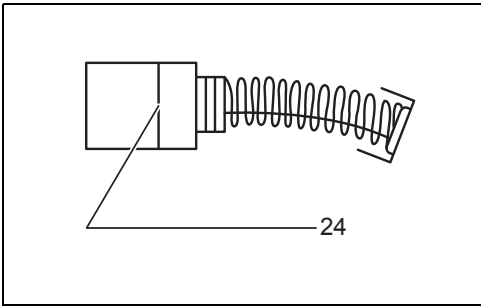
14



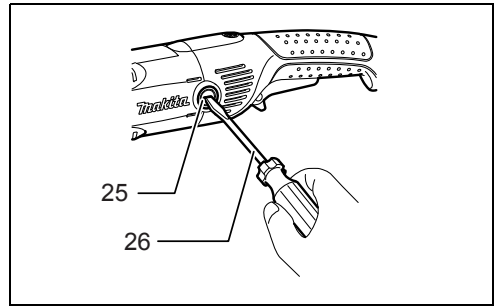
15



16



17



18

## ENGLISH

### Explanation of general view

- |                            |                     |                             |
|----------------------------|---------------------|-----------------------------|
| 1. Lock lever              | 10. Same level      | 19. Shaft lock              |
| 2. Switch trigger          | 11. Square or ruler | 20. Dust bag                |
| 3. Indication lamp         | 12. Raise           | 21. Dust cover cap          |
| 4. Base (for PC5001C only) | 13. Lower           | 22. The whole roller holder |
| 5. Hex wrench              | 14. Dust cover      | 23. Hex bolt                |
| 6. Front roller            | 15. Screw           | 24. Limit mark              |
| 7. Hex socket head bolt    | 16. Lock nut        | 25. Brush holder cap        |
| 8. Stock removal amount    | 17. Lock nut wrench | 26. Screwdriver             |
| 9. Base                    | 18. Diamond wheel   |                             |

## SPECIFICATIONS

Model	PC5000C	PC5001C
Wheel diameter	125 mm	
Hole diameter	22.23 mm	
Spindle thread	M14	
Rated speed (n) / No load speed (n <sub>0</sub> )	10,000 (min <sup>-1</sup> )	
Overall length	437 mm	479 mm
Net weight	4.0 kg	5.1 kg
Safety class	II/III	

- Due to our continuing programme of research and development, the specifications herein are subject to change without notice.
- Note: Specifications may differ from country to country.
- Weight according to EPTA-Procedure 01/2003

**Intended use** ENE002-1  
The tool is intended for planing concrete surfaces.

**Power supply** ENF002-1  
The tool should be connected only to a power supply of the same voltage as indicated on the nameplate, and can only be operated on single-phase AC supply. They are double-insulated in accordance with European Standard and can, therefore, also be used from sockets without earth wire.

## SPECIFIC SAFETY RULES GEB043-3

**DO NOT let comfort or familiarity with product (gained from repeated use) replace strict adherence to Concrete Planer safety rules. If you use this tool unsafely or incorrectly, you can suffer serious personal injury.**

### Safety Warnings for Grinding Operation:

1. **This power tool is intended to function as a grinder with offset diamond wheels. Read all safety warnings, instructions, illustrations and specifications provided with this power tool.** Failure to follow all instructions listed below may result in electric shock, fire and/or serious injury.
2. **Operations such as grinding with abrasive wheels, sanding, wire brushing, polishing or cutting-off are not recommended to be performed with this power tool.** Operations for which the power tool was not designed may create a hazard and cause personal injury.
3. **Do not use accessories which are not specifically designed and recommended by the tool**

**manufacturer.** Just because the accessory can be attached to your power tool, it does not assure safe operation.

4. **The rated speed of the accessory must be at least equal to the maximum speed marked on the power tool.** Accessories running faster than their rated speed can break and fly apart.
5. **The outside diameter and the thickness of your accessory must be within the capacity rating of your power tool.** Incorrectly sized accessories cannot be adequately guarded or controlled.
6. **The arbour size of wheels, flanges or any other accessory must properly fit the spindle of the power tool.** Accessories with arbour holes that do not match the mounting hardware of the power tool will run out of balance, vibrate excessively and may cause loss of control.
7. **Do not use a damaged accessory. Before each use inspect the accessory such as offset diamond wheels for chips and cracks. If power tool or accessory is dropped, inspect for damage or install an undamaged accessory. After inspecting and installing an accessory, position yourself and bystanders away from the plane of the rotating accessory and run the power tool at maximum no-load speed for one minute.** Damaged accessories will normally break apart during this test time.
8. **Wear personal protective equipment. Depending on application, use face shield, safety goggles or safety glasses. As appropriate, wear dust mask, hearing protectors, gloves and workshop apron capable of stopping small abrasive or workpiece fragments.** The eye protection must be capable of

stopping flying debris generated by various operations. The dust mask or respirator must be capable of filtrating particles generated by your operation. Prolonged exposure to high intensity noise may cause hearing loss.

9. **Keep bystanders a safe distance away from work area. Anyone entering the work area must wear personal protective equipment.** Fragments of workpiece or of a broken accessory may fly away and cause injury beyond immediate area of operation.
10. **Hold power tool by insulated gripping surfaces only, when performing an operation where the cutting accessory may contact hidden wiring or its own cord.** Cutting accessory contacting a "live" wire may make exposed metal parts of the power tool "live" and shock the operator.
11. **Position the cord clear of the spinning accessory.** If you lose control, the cord may be cut or snagged and your hand or arm may be pulled into the spinning accessory.
12. **Never lay the power tool down until the accessory has come to a complete stop.** The spinning accessory may grab the surface and pull the power tool out of your control.
13. **Do not run the power tool while carrying it at your side.** Accidental contact with the spinning accessory could snag your clothing, pulling the accessory into your body.
14. **Regularly clean the power tool's air vents.** The motor's fan will draw the dust inside the housing and excessive accumulation of powdered metal may cause electrical hazards.
15. **Do not operate the power tool near flammable materials.** Sparks could ignite these materials.
16. **Do not use accessories that require liquid coolants.** Using water or other liquid coolants may result in electrocution or shock.

#### **Kickback and Related Warnings**

Kickback is a sudden reaction to a pinched or snagged rotating wheel, backing pad, brush or any other accessory. Pinching or snagging causes rapid stalling of the rotating accessory which in turn causes the uncontrolled power tool to be forced in the direction opposite of the accessory's rotation at the point of the binding.

For example, if an abrasive wheel is snagged or pinched by the workpiece, the edge of the wheel that is entering into the pinch point can dig into the surface of the material causing the wheel to climb out or kick out. The wheel may either jump toward or away from the operator, depending on direction of the wheel's movement at the point of pinching. Abrasive wheels may also break under these conditions.

Kickback is the result of power tool misuse and/or incorrect operating procedures or conditions and can be avoided by taking proper precautions as given below.

- a) **Maintain a firm grip on the power tool and position your body and arm to allow you to resist kickback forces. Always use auxiliary handle, if provided, for maximum control over kickback or torque reaction during start-up.** The operator can control torque reactions or kickback forces, if proper precautions are taken.

- b) **Never place your hand near the rotating accessory.** Accessory may kickback over your hand.
- c) **Do not position your body in the area where power tool will move if kickback occurs.** Kickback will propel the tool in direction opposite to the wheel's movement at the point of snagging.
- d) **Use special care when working corners, sharp edges etc. Avoid bouncing and snagging the accessory.** Corners, sharp edges or bouncing have a tendency to snag the rotating accessory and cause loss of control or kickback.
- e) **Do not attach a saw chain woodcarving blade or toothed saw blade.** Such blades create frequent kickback and loss of control.

#### **Safety Warnings Specific for Grinding Operation:**

- a) **Use only wheel types that are recommended for your power tool and the specific guard designed for the selected wheel.** Wheels for which the power tool was not designed cannot be adequately guarded and are unsafe.
- b) **Always use undamaged wheel flanges that are of correct size and shape for your selected wheel.** Proper wheel flanges support the wheel thus reducing the possibility of wheel breakage.

#### **Additional safety warnings:**

17. **Always install the dust cover before operation.**
18. **Be careful not to damage the spindle, the flange (especially the installing surface) or the lock nut.** Damage to these parts could result in wheel breakage.
19. **Make sure the wheel is not contacting the workpiece before the switch is turned on.**
20. **Before using the tool on an actual workpiece, let it run for a while. Watch for vibration or wobbling that could indicate poor installation or a poorly balanced wheel.**
21. **Watch out for flying sparks. Hold the tool so that sparks fly away from you and other persons or flammable materials.**
22. **Do not leave the tool running. Operate the tool only when hand-held.**
23. **Do not touch the offset diamond wheel immediately after operation; it may be extremely hot and could burn your skin.**
24. **Always be sure that the tool is switched off and unplugged or that the battery cartridge is removed before carrying out any work on the tool.**
25. **Observe the instructions of the manufacturer for correct mounting and use of wheels. Handle and store wheels with care.**
26. **Do not use separate reducing bushings or adaptors to adapt large hole wheels.**
27. **Use only flanges specified for this tool.**
28. **Pay attention that the wheel continues to rotate after the tool is switched off.**
29. **If working place is extremely hot and humid, or badly polluted by conductive dust, use a short-circuit breaker (30 mA) to assure operator safety.**
30. **Do not use the tool on any materials containing asbestos.**
31. **Do not use water or grinding lubricant.**
32. **Ensure that ventilation openings are kept clear when working in dusty conditions. If it should become necessary to clear dust, first disconnect**

the tool from the mains supply (use non metallic objects) and avoid damaging internal parts.

**WARNING:**

**MISUSE** or failure to follow the safety rules stated in this instruction manual may cause serious personal injury.

## SAVE THESE INSTRUCTIONS.

## FUNCTIONAL DESCRIPTION

**CAUTION:**

- Always be sure that the tool is switched off and unplugged before adjusting or checking function on the tool.

### Switch action (Fig. 1)

**CAUTION:**

- Before plugging in the tool, always check to see that the switch trigger actuates properly and returns to the "OFF" position when released.

#### For tool with the lock-on switch

To start the tool, simply pull the switch trigger (A). Release the switch trigger to stop. For continuous operation, pull the switch trigger (A) and then push in the lock lever (B). To stop the tool from the locked position, pull the switch trigger (A) fully, then release it.

#### For tool with the lock-off switch

To prevent the switch trigger from accidentally pulled, a lock lever is provided. To start the tool, push in the lock lever (B) and then pull the switch trigger (A). Release the switch trigger to stop.

#### For tool with the lock on and lock-off switch

To prevent the switch trigger from accidentally pulled, a lock lever is provided. To start the tool, push in the lock lever (B) and then pull the switch trigger (A). Release the switch trigger to stop. For continuous operation, push in the lock lever (B), pull the switch trigger (A) and then push in the lock lever (B) further. To stop the tool from the locked position, pull the switch trigger (A) fully, then release it.

## Electronic function

### Constant speed control

- Possible to get fine finish, because the rotating speed is kept constantly even under the loaded condition.
- Additionally, when the load on the tool exceeds admissible levels, power to the motor is reduced to protect the motor from overheating. When the load returns to admissible levels, the tool will operate as normal.

### Soft start feature

- Soft start because of suppressed starting shock.

### Indication lamp (Fig. 2)

The indication lamp lights up green when the tool is plugged. If the indication lamp does not light up, the mains cord or the controller may be defective. The indication lamp is lit but the tool does not start even if the tool is switched on, the carbon brushes may be worn out, or the

controller, the motor or the ON/OFF switch may be defective.

### Unintentional restart proof

Even lock lever keeping the switch trigger depressed (Lock-on position) does not allow the tool to restart even when the tool is plugged.

At this time, the indication lamp flickers red and shows the unintentional restart proof device is on function.

To cancel the unintentional restart proof, pull the switch trigger fully, then release it.

### Level planing (for PC5001C only) (Fig. 3)

To level a surface, the base of the planer should be aligned with the diamond wheel. The front roller should be adjusted (use hex wrench) upward to the level required for the desired stock removal amount.

To change the amount of stock (concrete) removed, loosen the hex socket head bolts on the base holder with the hex wrench. Raise or lower the front roller to adjust the gap between it and the diamond wheel. The difference is the stock removal amount. Then secure the hex socket head bolts very carefully. (Fig. 4)

**NOTE:**

- Maximum stock removal should be less than 4.0 mm.

### Tilting base for smoother planing (for PC5001C only) (Fig. 5)

For smooth removal of a given surface roughness or texture, tilting the base is helpful. Use the hex wrench to loosen the two hex socket head bolts securing the base on either side.

Use a hex wrench to lower the three hex socket head bolts on the base by turning them on the base clockwise. (Fig. 6)

Use a square or ruler to obtain the desired base angle in relation to the diamond wheel. Then secure carefully the hex socket head bolts on either side of the base. Adjust center of base near wheel so that it is on the same level as the wheel. (Fig. 7)

**NOTE:**

- After base adjustment, turn the three hex socket head bolts on the base counterclockwise until the heads are flush with the back side of the base. Turn gently or base adjustment will be thrown off.

### Base adjustment to compensate for wheel wear (for PC5001C only)

With long use, the diamond wheel will wear and thus create a gap with the planing surface so that performance becomes poor. Check the tool after every 4 or 5 hours of use.

If the wheel and base surfaces are not aligned, loosen two hex socket head bolts securing the base. Turn three hex socket head bolts on the base clockwise and adjust the base so as to be level with the wheel surface. Retighten firmly the hex socket head bolts securing base and then lightly turn the hex socket head bolts counterclockwise so that the hex socket head bolts do not come loose during operation.

## Dust cover adjustment (Fig. 8)

Loosen the screw, and adjust the dust cover's brush level. The dust cover's brush should be either flush with the diamond wheel surface or very slightly above (when tool is inverted) 0.5 mm. Suction/pickup will be poor if they are not approximately on the same level. After adjusting, be sure to tighten the screw firmly.

To adjust the dust cover, grip it on the outside; turn clockwise to raise, counterclockwise to lower.

## ASSEMBLY

### CAUTION:

- Always be sure that the tool is switched off and unplugged before carrying out any work on the tool.

### Installing or removing diamond wheel (Fig. 9)

To replace a worn diamond wheel with a new one, press in the shaft lock to hold the shaft steady, then loosen the lock nut counterclockwise with the lock nut wrench provided.

Remove the worn diamond wheel.

To install a new one, follow the above removal procedure in reverse.

When installing a diamond wheel, always make sure to tighten the lock nut firmly.

### NOTE:

- The ordinary diamond wheels on the market have no exhaust holes, so dust evacuation is poor. Also, if the installing hole is not of the exact diameter, tool vibration occurs and accidents can occur. ALWAYS USE A MAKITA OFFSET DIAMOND WHEEL.

### Replacing dust cover's brush (Fig. 10)

To remove the dust cover's brush from the dust cover, grab an end of the dust cover's brush and take it out slowly outward. (Fig. 11)

To install a dust cover's brush, put the outer edge of the dust cover's brush in the groove in the dust cover.

### (Fig. 12)

And then expand the groove. With the groove being expanded, insert the inner edge of the dust cover's brush. Repeat this action and insert all the remaining part.

### Dust bag (Fig. 13)

To install dust bag, slip onto dust port. Always make sure to slip onto dust port all the way until it stops so that it does not come off during operation.

Remove dust bag when it begins to touch cutting surface. This is a sign that it is full. Failure to empty bag will lead to poor suction/pickup.

### Connecting a vacuum cleaner (Fig. 14)

When you wish to perform clean planing operation, connect a Makita vacuum cleaner to your tool as shown in the figure.

## OPERATION

### Planing in corners

#### For PC5000C

Flush planing of corners is possible after first removing the dust cover cap.

#### For PC5001C only (Fig. 15)

Before performing the flush planing of corners, remove the hex bolt which secures roller holder and base holder and then take away the whole roller holder.

Next, loosen the hex socket head bolt and take away the dust cover cap and then adjust the dust cover in a proper position according to your work. (Fig. 16)

## MAINTENANCE

### CAUTION:

- Always be sure that the tool is switched off and unplugged before attempting to perform inspection or maintenance.

### Replacing carbon brushes (Fig. 17)

Remove and check the carbon brushes regularly. Replace when they wear down to the limit mark. Keep the carbon brushes clean and free to slip in the holders. Both carbon brushes should be replaced at the same time. Use only identical carbon brushes.

Use a screwdriver to remove the brush holder caps. Take out the worn carbon brushes, insert the new ones and secure the brush holder caps. (Fig. 18)

To maintain product SAFETY and RELIABILITY, repairs, any other maintenance or adjustment should be performed by Makita Authorized Service Centers, always using Makita replacement parts.

## ACCESSORIES

### CAUTION:

- These accessories or attachments are recommended for use with your Makita tool specified in this manual. The use of any other accessories or attachments might present a risk of injury to persons. Only use accessory or attachment for its stated purpose.

If you need any assistance for more details regarding these accessories, ask your local Makita Service Center.

- Offset diamond wheel (Dry type)
- Elbow joint 32



**EC-DECLARATION OF CONFORMITY**

ENH101-9

**Model; PC5000C, PC5001C**

We declare under our sole responsibility that this product is in compliance with the following standards of standardized documents;

EN60745, EN55014, EN61000 in accordance with Council Directives, 2004/108/EC, 98/37/EC.

**CE2008**



Tomoyasu Kato  
Director

Responsible Manufacturer:

**Makita Corporation**

3-11-8, Sumiyoshi-cho, Anjo, Aichi, JAPAN

Authorized Representative in Europe:

**Makita International Europe Ltd.**

Michigan Drive, Tongwell, Milton Keynes, Bucks MK15  
8JD, ENGLAND

Descriptif

- |                                    |                               |   |
|------------------------------------|-------------------------------|---|
| 1. Levier de verrouillage          | 10. Alignement à respecter    | 20. Sac à poussières                        |
| 2. Gâchette                        | 11. Équerre ou règle          | 21. Bouchon de la protection anti-poussière |
| 3. Voyant                          | 12. Monter                    | 22. Tout le support à rouleaux              |
| 4. Socle (pour PC5001C uniquement) | 13. Abaisser                  | 23. Boulon hexagonal                        |
| 5. Clé hexagonale                  | 14. Protection anti-poussière | 24. Repère d'usure                          |
| 6. Rouleau avant                   | 15. Vis                       | 25. Bouchon du porte-charbon                |
| 7. Boulon à tête creuse hexagonale | 16. Contre-écrou              | 26. Tournevis                               |
| 8. Profondeur à atteindre          | 17. Clé à contre-écrou        |   |
| 9. Socle                           | 18. Meule diamantée           |   |
|                                    | 19. Blocage de l'arbre        |   |

**SPÉCIFICATIONS**

Modèle	PC5000C	PC5001C
Diamètre de la meule	125 mm	
Diamètre de l'orifice	22,23 mm	
Filetage de l'axe	M14	
Vitesse nominale (n)/Vitesse à vide (n <sub>0</sub> )	10 000 (min <sup>-1</sup> )	
Longueur totale	437 mm	479 mm
Poids net	4 kg	5,1 kg
Niveau de sécurité	II/II	

- Étant donné l'évolution constante de notre programme de recherche et de développement, les spécifications contenues dans ce manuel sont sujettes à des modifications sans préavis.
- Remarque : les spécifications peuvent varier d'un pays à l'autre.
- Poids selon la procédure EPTA 01/2003

**Utilisations**

ENE002-1

L'outil est conçu pour le rabotage des surfaces en béton.

**Alimentation**

ENF002-1

L'outil ne doit être raccordé qu'à une alimentation de la même tension que celle qui figure sur la plaque signalétique, et il ne peut fonctionner que sur un courant secteur monophasé. Réalisé avec une double isolation, il est conforme à la réglementation européenne et peut de ce fait être alimenté sans mise à la terre.

**CONSIGNES DE SÉCURITÉ SPÉCIFIQUES**

GEB043-3

**NE vous laissez PAS tromper (au fil d'une utilisation répétée) par un sentiment d'aisance et de familiarité avec le produit, en négligeant le respect rigoureux des consignes de sécurité qui accompagnent la surfaceuse à béton. En utilisant cet outil dans des conditions dangereuses ou incorrectes, vous vous exposez à un risque de blessure grave.**

**Consignes de sécurité pour l'opération de meulage :**

1. **Cet outil électrique est conçu pour fonctionner comme une meule avec meules diamantées déportées. Lisez tous les avertissements concernant la sécurité, les instructions, les illustrations et les caractéristiques fournis avec cet outil électrique.** Il y a un risque d'électrocution, d'incendie et/ou de blessures graves si les instructions énumérées ci-dessous ne sont pas respectées.
2. **Les opérations comme le ponçage avec des meules, le brossage à brosse métallique, le polissage ou le tronçonnage sont déconseillées avec cet outil électrique.** Les opérations pour lesquelles l'outil électrique n'a pas été conçu peuvent générer un danger et occasionner des blessures.
3. **N'utilisez pas des accessoires qui ne sont pas spécifiquement conçus et recommandés par le fabricant de l'outil.** Le simple fait que l'accessoire puisse être fixé à votre outil électrique ne signifie pas que le fonctionnement sera sécurisé.
4. **La vitesse nominale de l'accessoire doit être au moins égale à la vitesse maximale indiquée sur l'outil électrique.** Des accessoires fonctionnant plus rapidement que leur vitesse nominale risquent de se casser et de voler en éclats.
5. **Le diamètre externe et l'épaisseur de votre accessoire doivent correspondre à la puissance nominale de votre outil électrique.** Des accessoires aux dimensions inappropriées ne peuvent pas être protégés ou contrôlés correctement.
6. **La taille de tonnelle des roues, des flasques ou autre accessoire doit s'adapter correctement à l'axe de l'outil.** Les accessoires comportant des orifices de tonnelle qui ne correspondent pas au matériel de montage de l'outil électrique seront déséquilibrés et subiront des vibrations excessives, ce qui peut occasionner une perte de contrôle.
7. **N'utilisez pas d'accessoire endommagé. Avant chaque utilisation, vérifiez que les accessoires comme les meules diamantées déportées ne comportent pas de copeaux et de craquements. En cas de chute de l'outil électrique ou de l'accessoire, vérifiez qu'il n'est pas abîmé ou**

installez un accessoire en bon état. Après avoir inspecté et installé un accessoire, positionnez-vous ainsi que les spectateurs à distance de l'accessoire en rotation et faites fonctionner l'outil électrique à la vitesse maximale à vide pendant une minute. Normalement, tout accessoire endommagé se brisera au cours de ce temps d'essai.

8. **Portez un équipement de protection corporelle. En fonction de l'application, utilisez un écran facial, des lunettes étanches ou des lunettes de protection. Si nécessaire, portez un masque anti-poussières, des protège-tympans, des gants et un tablier d'atelier capable d'arrêter les petits fragments abrasifs ou des morceaux de la pièce à travailler.** La protection pour les yeux doit pouvoir stopper les projections de débris générées par diverses opérations. Le masque anti-poussières ou respirateur doit pouvoir filtrer les particules générées par votre opération. Une exposition prolongée à un bruit haute intensité peut entraîner une perte auditive.
9. **Gardez les spectateurs à une distance de sécurité de la zone de travail. Quiconque pénètre dans la zone de travail doit porter un équipement de protection corporelle.** Des fragments de pièces à travailler ou d'un accessoire cassé peuvent être projetés hors de la zone de travail immédiate et entraîner des blessures.
10. **Ne tenez l'outil électrique que par ses surfaces de poigne isolées lorsque vous effectuez une opération au cours de laquelle l'accessoire de découpe peut entrer en contact avec des fils dissimulés ou avec le cordon de l'outil.** Le contact avec un fil sous tension mettra les parties métalliques exposées de l'outil sous tension, causant ainsi un choc électrique chez l'utilisateur.
11. **Éloignez le cordon de l'accessoire rotatif.** Si vous perdez le contrôle, le cordon peut être coupé ou accroché et l'accessoire rotatif risque d'attraper votre main ou votre bras.
12. **Ne posez jamais l'outil électrique à terre tant qu'il ne s'est pas complètement arrêté.** L'accessoire rotatif peut accrocher la surface et vous risquez de perdre le contrôle de l'outil électrique.
13. **Ne faites pas tourner l'outil électrique si vous le transportez à côté de vous.** Un contact accidentel avec l'accessoire rotatif pourrait accrocher vos vêtements et attirer l'accessoire vers votre corps.
14. **Nettoyez régulièrement les aérations de l'outil électrique.** Le ventilateur du moteur tirera la poussière à l'intérieur du logement et une accumulation excessive de poudre métallique peut entraîner des chocs électriques.
15. **Ne faites pas fonctionner l'outil électrique à proximité de matériaux inflammables.** Les étincelles risquent d'enflammer ces matériaux.
16. **N'utilisez pas d'accessoires qui nécessitent des liquides de refroidissement.** L'utilisation d'eau ou de liquides de refroidissement peut entraîner une électrocution ou un choc électrique.

#### **Rebond et avertissements afférents**

Le rebond est une réaction soudaine suite à un pincement ou accrochage d'une roue en rotation, d'un patin de renfort, d'une brosse ou d'un autre accessoire. Un pincement ou un accrochage peut entraîner le calage

rapide de l'accessoire rotatif, ce qui peut alors forcer l'outil électrique hors de contrôle à tourner dans la direction opposée au sens de rotation de l'accessoire, jusqu'à ce qu'ils se bloquent.

Par exemple, si une meule est accrochée ou pincée par la pièce à travailler, le rebord de la meule qui entraine dans le point de pincement peut creuser dans la surface du matériau, ce qui peut faire sortir la meule. La meule risque de sauter en direction de l'opérateur ou dans la direction opposée, en fonction du sens de rotation de la meule au niveau du point de pincement. Les meules peuvent également se casser dans certaines conditions.

Le rebond est dû à une mauvaise utilisation de l'outil et/ou à des procédures ou conditions de travail inappropriées. Il peut être évité en prenant les mesures appropriées, telles que celles indiquées ci-dessous.

- a) **Maintenez une prise ferme sur l'outil électrique et positionnez votre corps et vos bras de façon à pouvoir résister aux forces du rebond. Utilisez toujours une poignée auxiliaire, le cas échéant, pour contrôler au maximum les rebonds ou la réaction du couple au démarrage.** L'opérateur peut contrôler les réactions du couple ou les forces du rebond s'il prend les précautions nécessaires.
- b) **Ne placez jamais la main à proximité de l'accessoire rotatif.** L'accessoire risque de rebondir sur votre main.
- c) **Ne positionnez pas votre corps dans la zone où l'outil électrique se déplacera en cas de rebond.** Le rebond propulsera l'outil dans la direction opposée au mouvement de la meule, au point d'accrochage.
- d) **Soyez particulièrement prudent lorsque vous travaillez dans des recoins, sur des rebords tranchants, etc. Évitez de faire rebondir ou d'accrocher l'accessoire.** Les recoins, les rebords tranchants ou les rebonds ont tendance à accrocher l'accessoire rotatif et à provoquer une perte de contrôle ou un retour de choc.
- e) **Ne fixez pas une lame de sculpteur à chaîne coupante ou une lame de scie dentée.** De telles lames peuvent créer de fréquents rebonds et pertes de contrôle.

#### **Consignes de sécurité spécifiques pour l'opération de meulage :**

- a) **N'utilisez que les types de meules qui sont recommandées pour votre outil électrique et la protection spécifique conçue pour la meule sélectionnée.** Les meules pour lesquelles l'outil électrique n'a pas été conçu ne peuvent pas être protégées de manière adéquate et ne sont pas sûres.
- b) **Utilisez toujours des flasques de meule en bon état dont la taille et la forme sont adaptées à la meule que vous avez choisie.** Des flasques de meule appropriés soutiennent la meule, réduisant ainsi le risque de cassure de la meule.

#### **Autres avertissements de sécurité :**

17. **Installez toujours la protection anti-poussière de meulage de travailler.**
18. **Prenez garde de ne pas endommager l'axe, le flasque (tout particulièrement la surface d'installation) ou le contre-écrou. La meule risque de casser si ces pièces sont endommagées.**

19. Assurez-vous que la meule n'entre pas en contact avec la pièce à travailler avant de mettre l'outil sous tension.
20. Avant d'utiliser l'outil sur la pièce elle-même, laissez-le tourner un instant. Soyez attentif à toute vibration ou sautellement pouvant indiquer que la meule n'est pas bien installée ou qu'elle est mal équilibrée.
21. Prenez garde aux étincelles qui jaillissent. Tenez l'outil de sorte que les étincelles ne jaillissent pas vers vous, vers une personne présente ou vers un matériau inflammable.
22. N'abandonnez pas l'outil alors qu'il tourne. Ne faites fonctionner l'outil qu'une fois que vous l'avez bien en main.
23. Ne touchez pas la meule diamantée déportée immédiatement après l'opération ; elle risque d'être extrêmement chaude et de vous brûler la peau.
24. Assurez-vous toujours que l'outil est hors tension et débranché ou que la cartouche de batterie est retirée avant d'effectuer toute intervention sur l'outil.
25. Pour installer et utiliser correctement la meule, veuillez suivre les instructions du fabricant. Manipulez les meules avec soin et rangez-les en lieu sûr.
26. N'utilisez aucun raccord de réduction ou adaptateur séparé pour adapter un trou de meule trop grand.
27. Utilisez exclusivement les flasques spécifiés pour cet outil.
28. Gardez à l'esprit que la meule continue de tourner même une fois le contact coupé sur l'outil.
29. Si le site de travail est extrêmement chaud et humide ou s'il y a beaucoup de poussières conductrices dans l'air, utilisez un coupe-circuit (30 mA) pour assurer votre sécurité.
30. N'utilisez l'outil sur aucun matériau contenant de l'amiante.
31. N'utilisez ni eau ni lubrifiant de meulage.
32. Assurez-vous que les orifices de ventilation sont toujours bien dégagés lorsque vous travaillez dans des conditions poussiéreuses. Lorsqu'il devient nécessaire de retirer la poussière accumulée, commencez par débrancher l'outil de la prise secteur (utilisez un objet non métallique) et veillez à ne pas endommager les pièces internes.

#### AVERTISSEMENT :

Une UTILISATION INCORRECTE de l'outil ou un non-respect des consignes de sécurité indiquées dans ce manuel d'instructions peuvent causer des blessures graves.

## CONSERVEZ CES INSTRUCTIONS.

## DESCRIPTION DU FONCTIONNEMENT

#### ATTENTION :

- Assurez-vous toujours que l'outil est éteint et débranché avant de le régler ou de vérifier son fonctionnement.

### Interrupteur (Fig. 1)

#### ATTENTION :

- Avant de brancher l'outil, vérifiez toujours que la gâchette fonctionne correctement et revient en position d'arrêt (« OFF ») lorsqu'elle est relâchée.

#### Pour l'outil équipé d'un commutateur de verrouillage

Pour mettre l'outil en marche, appuyez simplement sur la gâchette (A). Pour l'arrêter, relâchez la gâchette. Pour un fonctionnement continu, appuyez sur la gâchette (A) puis enfoncez le bouton de verrouillage (B). Pour arrêter l'outil alors qu'il est en position verrouillée, appuyez à fond sur la gâchette (A) puis relâchez-la.

#### Pour les outils équipés d'un commutateur de sécurité

Un bouton de sécurité est prévu pour prévenir la pression accidentelle sur la gâchette. Pour faire démarrer l'outil, enfoncez le bouton de sécurité (B) puis appuyez sur la gâchette (A). Pour l'arrêter, relâchez la gâchette.

#### Pour les outils équipés d'un commutateur de sécurité et d'un commutateur de verrouillage

Un bouton de sécurité est prévu pour prévenir la pression accidentelle sur la gâchette. Pour faire démarrer l'outil, enfoncez le bouton de sécurité (B) puis appuyez sur la gâchette (A). Pour l'arrêter, relâchez la gâchette. Pour un fonctionnement continu, enfoncez le bouton de sécurité (B), appuyez sur la gâchette (A), puis enfoncez plus le bouton de sécurité (B). Pour arrêter l'outil alors qu'il est en position verrouillée, appuyez à fond sur la gâchette (A) puis relâchez-la.

## Fonction électronique

### Contrôle de vitesse constante

- Possibilité d'obtenir une très bonne finition, car la vitesse de rotation reste constante même en cas de conditions de charge.
- En plus, quand la charge sur l'outil excède les niveaux admissibles, la puissance au moteur est réduite pour protéger le moteur de la surchauffe. Lorsque la charge retourne aux niveaux admissibles, l'outil fonctionne normalement.

### Fonction de démarrage graduel

- Le choc du démarrage est supprimé grâce au démarrage graduel.

### Voyant (Fig. 2)

Le voyant vert de mise sous tension s'allume lorsque l'outil est branché. Si le voyant ne s'allume pas, il se peut que le cordon d'alimentation ou le contrôleur soit défectueux. Si le voyant est allumé alors que l'outil ne démarre pas même s'il est sous tension, il se peut que les

charbons soient usés ou que le contrôleur, le moteur ou l'interrupteur MARCHE/ARRÊT soit défectueux.

### **Redémarrage involontaire**

Même le verrouillage du levier maintenant la gâchette enfoncée (position verrouillée) ne permet pas de redémarrer même lorsque l'outil est branché.

À ce stade, le voyant rouge clignote et indique que le dispositif de sécurité contre un redémarrage involontaire est en cours de fonctionnement.

Pour l'annuler, poussez à fond la gâchette, puis relâchez-la.

### **Surfaçage (pour PC5001C uniquement) (Fig. 3)**

Pour niveler une surface, le socle de la surfaceuse doit être aligné avec la meule diamantée. Le rouleau avant doit être réglé (utilisez une clé hexagonale) au-dessus du niveau requis pour la profondeur à atteindre voulue.

Pour modifier la profondeur de béton à retirer, desserrez les boulons à tête creuse hexagonale sur le support du socle avec la clé hexagonale. Soulevez ou abaissez le rouleau avant pour régler l'espace entre lui et la meule diamantée. La différence est la profondeur à atteindre. Sécurisez les boulons à tête creuse hexagonale très soigneusement. (Fig. 4)

#### **REMARQUE :**

- La profondeur à atteindre maximale doit être inférieure à 4,0 mm.

### **Lissage avec socle incliné (pour PC5001C uniquement) (Fig. 5)**

Pour lisser une surface rugueuse, il peut être utile d'incliner le socle. Utilisez la clé hexagonale pour desserrer les deux boulons à tête creuse hexagonale qui maintiennent le socle de chaque côté.

Utilisez une clé hexagonale pour abaisser les trois boulons à tête creuse hexagonale sur le socle en les tournant dans le sens des aiguilles d'une montre. (Fig. 6) Utilisez une équerre ou une règle pour obtenir l'angle de socle souhaité par rapport à la meule diamantée. Puis sécurisez soigneusement les boulons à tête creuse hexagonale de chaque côté du socle. Réglez le centre du socle près de la meule de sorte qu'il soit sur le même niveau que la meule. (Fig. 7)

#### **REMARQUE :**

- Après le réglage du socle, tournez les boulons à tête creuse hexagonale sur le socle dans le sens inverse des aiguilles d'une montre jusqu'à ce que les têtes soient de niveau avec l'arrière du socle. Tournez doucement sinon le réglage du socle sera déséquilibré.

### **Réglage du socle pour compenser l'usure de la meule (pour PC5001C uniquement)**

Lors d'une utilisation prolongée, la meule diamantée s'use et crée un espace avec la surface de lissage, ce qui entraîne une diminution des performances. Vérifiez l'outil toutes les 4 ou 5 heures d'utilisation.

Si les surfaces de la meule et du socle ne sont pas alignées, desserrez les deux boulons à tête creuse hexagonale qui maintiennent le socle. Tournez les trois boulons à tête creuse hexagonale sur le socle dans le sens des aiguilles d'une montre et réglez le socle de sorte

qu'il soit de niveau avec la surface de la meule. Resserrez fermement les boulons à tête creuse hexagonale maintenant le socle, puis tournez-les légèrement dans le sens inverse des aiguilles d'une montre pour éviter qu'ils ne se desserrent en cours de fonctionnement.

### **Réglage de la protection anti-poussière (Fig. 8)**

Desserrez la vis et réglez le niveau de la brosse de la protection anti-poussière. La brosse de la protection anti-poussière doit être de niveau avec la surface de la meule diamantée ou très légèrement au-dessus (lorsque l'outil est en position renversée) de 0,5 mm. Si elles ne sont pas au même niveau, l'aspiration sera diminuée. Après le réglage, assurez-vous de serrer la vis fermement. Pour régler la protection anti-poussière, saisissez-la à la périphérie ; tournez dans le sens des aiguilles d'une montre pour la faire monter, dans le sens inverse pour l'abaisser.

## **ASSEMBLAGE**

#### **ATTENTION :**

- Avant d'effectuer toute intervention sur l'outil, assurez-vous toujours qu'il est hors tension et débranché.

### **Pose ou dépose de la meule diamantée (Fig. 9)**

Pour remplacer une meule diamantée usée par une nouvelle, appuyez sur le blocage de l'arbre pour stabiliser l'arbre, puis desserrez le contre-écrou dans le sens inverse des aiguilles d'une montre avec la clé à contre-écrou fournie.

Retirez la meule diamantée usée.

Pour en installer une nouvelle, suivez la procédure de retrait ci-dessus dans l'ordre inverse.

Lors de l'installation d'une meule diamantée, assurez-vous toujours de serrer le contre-écrou fermement.

#### **REMARQUE :**

- Les meules diamantées classiques disponibles sur le marché n'ont pas de trous d'évacuation, la récupération de poussière est donc faible. De plus, si le trou de pose n'a pas exactement le même diamètre, l'outil vibre et des accidents peuvent survenir. N'UTILISEZ TOUJOURS QUE DES MEULES DIAMANTÉES DÉPORTÉES MAKITA.

### **Remplacement de la brosse de la protection anti-poussière (Fig. 10)**

Pour retirer la brosse de la protection anti-poussière, saisissez une extrémité de la brosse et soulevez-la doucement. (Fig. 11)

Pour installer une brosse de la protection anti-poussière, placez le bord extérieur de la brosse dans la fente de la protection anti-poussière. (Fig. 12)

Puis écartez la fente. Insérez ensuite le bord intérieur de la brosse. Répétez cette action et insérez la partie restante.

### **Sac à poussières (Fig. 13)**

Pour installer le sac à poussières, faites-le glisser sur l'orifice à poussières. Assurez-vous toujours de bien faire

glisser le sac jusqu'à ce qu'il s'arrête de sorte qu'il ne se retire pas en cours de fonctionnement.

Retirez le sac à poussières lorsqu'il commence à toucher la surface de découpe. Cela signifie qu'il est plein. Ne pas vider le sac entraîne une aspiration faible.

### Raccordement à un aspirateur (Fig. 14)

Pour effectuer un rabotage plus propre, raccordez un aspirateur Makita à votre outil, comme indiqué par la figure.

## UTILISATION

### Rabotage dans les angles

#### Pour PC5000C

Le rabotage dans les angles est possible après avoir retiré le bouchon de la protection anti-poussière.

#### Pour PC5001C uniquement (Fig. 15)

Avant d'effectuer un rabotage dans les angles, retirez le boulon hexagonal qui maintient le support à rouleaux et le support du socle, puis retirez tout le support à rouleaux. Ensuite, desserrez le boulon à tête creuse hexagonale et retirez le bouchon de la protection anti-poussière et réglez la protection anti-poussière dans la position adaptée à votre travail. (Fig. 16)

## MAINTENANCE

### ATTENTION :

- Assurez-vous toujours que l'outil est éteint et débranché avant d'effectuer tout travail d'inspection ou de maintenance.

### Remplacement des charbons (Fig. 17)

Retirez et vérifiez les charbons régulièrement. Remplacez-les lorsqu'ils atteignent le repère d'usure. Gardez les charbons propres et libres de glisser dans les porte-charbons. Les deux charbons doivent être remplacés en même temps. Utilisez uniquement des charbons identiques.

Retirez les bouchons de porte-charbon à l'aide d'un tournevis. Enlevez les charbons usés, insérez les neufs et remettez en place les bouchons de porte-charbon.

#### (Fig. 18)

Pour assurer la SÉCURITÉ et la FIABILITÉ du produit, toute réparation ou travail d'entretien ou de réglage doivent être effectués dans un Centre de service après-vente Makita agréé, avec des pièces de rechange Makita.

## ACCESSOIRES

### ATTENTION :

- Ces accessoires ou pièces complémentaires sont recommandés pour l'utilisation avec l'outil Makita spécifié dans ce manuel. L'utilisation de tout autre accessoire ou pièce complémentaire comporte un risque de blessures. Utilisez uniquement l'accessoire ou la pièce complémentaire dans le but spécifié.

Pour obtenir plus de détails sur ces accessoires, contactez un Centre de service après-vente local Makita.

- Meule diamantée déportée (type sec)
- Coude 32

## DÉCLARATION DE CONFORMITÉ CE

ENH101-9

Modèle ; PC5000C, PC5001C

Nous déclarons, sous notre entière responsabilité, que ce produit répond aux normes suivantes de documents normalisés :

EN60745, EN55014, EN61000 conformément aux Directives du Conseil, 2004/108/CE, 98/37/CE.

CE2008



Tomoyasu Kato  
Directeur

Fabricant responsable :

**Makita Corporation**

3-11-8, Sumiyoshi-cho, Anjo, Aichi, JAPON

Représentant agréé en Europe :

**Makita International Europe Ltd.**

Michigan Drive, Tongwell, Milton Keynes, Bucks MK15  
8JD, ANGLETERRE

# DEUTSCH

## Erklärung der Gesamtdarstellung

- |                                 |                                    |                          |
|---------------------------------|------------------------------------|--------------------------|
| 1. Verriegelungshebel           | 10. Gleiche Höhe                   | 19. Spindelarretierung   |
| 2. Ein/Aus-Schalter             | 11. Anschlagwinkel oder Lineal     | 20. Staubsack            |
| 3. Anzeigeleuchte               | 12. Anheben                        | 21. Staubschutzkappe     |
| 4. Gleitschuh (nur für PC5001C) | 13. Absenken                       | 22. Rolle mit Halterung  |
| 5. Inbusschlüssel               | 14. Staubschutz                    | 23. Inbusschraube        |
| 6. Vordere Rolle                | 15. Schraube                       | 24. Verschleißmarkierung |
| 7. Inbusschraube                | 16. Sicherungsmutter               | 25. Bürstenhalterkappe   |
| 8. Tiefe Materialabtrag         | 17. Schlüssel für Sicherungsmutter | 26. Schraubendreher      |
| 9. Gleitschuh                   | 18. Diamantscheibe                 |                          |

## TECHNISCHE DATEN

Modell	PC5000C	PC5001C
Scheibendurchmesser	125 mm	
Lochdurchmesser	22,23 mm	
Spindelgewinde	M14	
Nenn Drehzahl (n) / Leerlaufdrehzahl (n <sub>0</sub> )	10.000 (min <sup>-1</sup> )	
Gesamtlänge	437 mm	479 mm
Gewicht netto	4,0 kg	5,1 kg
Sicherheitsklasse	II/III	

- Aufgrund unserer weiterführenden Forschungen und Entwicklungen sind Änderungen an den hier angegebenen Technischen Daten ohne Vorankündigung vorbehalten.
- Hinweis: Die Technischen Daten können in den einzelnen Ländern abweichen.
- Gewicht entsprechend der EPTA-Vorgehensweise 01/2003

### Verwendungszweck

ENE002-1

Dieses Werkzeug ist für das Schleifen von Betonflächen vorgesehen.

### Stromversorgung

ENF002-1

Das Werkzeug darf nur an eine Stromversorgung mit der auf dem Typenschild angegebenen Spannung und einphasigem Wechselstrom angeschlossen werden. Das Werkzeug ist nach europäischem Standard doppelt isoliert und darf daher auch an Steckdosen ohne Erdungsleiter betrieben werden.

## BESONDERE SICHERHEITSHINWEISE

GEB043-3

Lassen Sie sich **NIE** durch **Bequemlichkeit** oder (**aus fortwährendem Gebrauch gewonnener**) **Vertrautheit** mit dem Gerät dazu verleiten, die **Sicherheitsregeln** für den **Betonschleifer** zu missachten. **Wenn dieses Werkzeug fahrlässig oder nicht ordnungsgemäß verwendet wird, kann es zu schweren Verletzungen kommen.**

### Sicherheitshinweise für den Schleifbetrieb:

1. **Dieses Elektrowerkzeug wurde für die Verwendung als Schleifgerät mit Spezial-Diamantscheiben entwickelt. Lesen Sie alle Sicherheitshinweise, Anweisungen, Abbildungen und Spezifikationen durch, die mit diesem Elektrowerkzeug geliefert wurden.** Werden nicht alle der unten aufgeführten Anweisungen befolgt, besteht die Gefahr eines Stromschlags, Brands und/oder die Gefahr schwerer Verletzungen.
2. **Arbeiten wie das Schleifen mit Schleifscheiben, Schmirgeln, Drahtbürsten, Polieren oder Trennschleifen sollten mit diesem Elektrowerkzeug nicht ausgeführt werden.** Bei Arbeiten, für die das Elektrowerkzeug nicht vorgesehen ist, kann es zu gefährlichen Situationen und zu Verletzungen kommen.
3. **Verwenden Sie ausschließlich Zubehörteile, die vom Hersteller des Werkzeugs entwickelt und empfohlen wurden.** Nur weil Sie ein bestimmtes Zubehör am Werkzeug befestigen können, bedeutet dies nicht, dass die Verwendung gefahrlos möglich ist.
4. **Die Nenn Drehzahl des Zubehörs muss mindestens der auf dem Elektrowerkzeug angegebenen Höchst Drehzahl entsprechen.** Zubehör, das mit einer höheren Drehzahl als der zulässigen Drehzahl betrieben wird, kann zerbersten, wobei Teile mit hoher Geschwindigkeit durch die Luft fliegen.
5. **Außendurchmesser und Dicke von Zubehör müssen innerhalb der Nennleistung des Elektrowerkzeugs liegen.** Zubehör in unzulässiger Größe kann nicht angemessen abgedeckt oder betrieben werden.
6. **Die Dorngröße der Schleifscheiben, Flansche oder andere Zubehörteile müssen genau zu der Spindel des Elektrowerkzeugs passen.** Zubehörteile mit Spindellöchern, die nicht den Montageteilen des Elektrowerkzeugs entsprechen, laufen exzentrisch, schwingen stark und führen zum Kontrollverlust.
7. **Verwenden Sie kein beschädigtes Zubehör. Überprüfen Sie vor jeder Verwendung Zubehörteile wie beispielsweise Spezial-Schleifscheiben auf Risse und sonstige**

- Beschädigungen. Wenn das Elektrowerkzeug oder ein Zubehör zu Boden gefallen sein sollte, überprüfen Sie Werkzeug und Zubehör auf Beschädigungen und tauschen Sie ggf. Beschädigte Teile gegen unbeschädigte Teile aus. Positionieren Sie sich selbst und Zuschauer nach dem Überprüfen und Einbauen eines Zubehörs außerhalb der Rotationsebene des Zubehörs und betreiben Sie das Elektrowerkzeug bei maximaler Leerlaufdrehzahl für 1 Minute.** Beschädigtes Zubehör zerbricht bei diesem Test für gewöhnlich.
8. **Tragen Sie eine persönliche Schutzausrüstung. Tragen Sie je nach Arbeitsaufgabe einen Gesichtsschild oder eine Schutzbrille. Soweit angemessen, tragen Sie Staubmaske, Gehörschutz, Schutzhandschuhe oder Spezialschürze, um kleine Schleif- und Materialpartikel von Ihnen fernzuhalten.** Der Augenschutz muss umherfliegende Fremdkörper abhalten können, die bei verschiedenen Arbeiten auftreten können. Die Staubmaske oder Atemschutzmaske muss Partikel herausfiltern können, die bei verschiedenen Arbeiten entstehen. Lange und intensive Lärmbelastung kann zu Hörverlust führen.
9. **Achten Sie darauf, dass Zuschauer den Sicherheitsabstand zum Arbeitsbereich einhalten. Jeder, der den Arbeitsbereich betritt, muss eine Schutzausrüstung tragen.** Splitter des Werkstücks oder eines geborstenen Zubehörs können umherfliegen und auch außerhalb des eigentlichen Arbeitsbereichs noch zu Verletzungen führen.
10. **Halten Sie das Elektrowerkzeug an den isolierten Griffflächen, wenn Sie unter Bedingungen arbeiten, bei denen das Schneidwerkzeug nicht sichtbare Stromkabel oder das eigene Kabel berühren kann.** Bei Kontakt des Trennwerkzeugs mit einem Strom führenden Kabel wird der Strom an die Metallteile des Elektrowerkzeugs und dadurch an den Bediener weitergeleitet, und der Bediener erleidet einen Stromschlag.
11. **Halten Sie das Netzkabel von rotierendem Zubehör fern.** Falls Sie die Kontrolle über das Elektrowerkzeug verlieren, kann das Netzkabel durchtrennt oder erfasst werden, oder Ihre Hand oder Ihr Arm kann in das rotierende Zubehör geraten.
12. **Legen Sie das Elektrowerkzeug erst dann ab, nachdem rotierendes Zubehör völlig zum Stillstand gekommen ist.** Das rotierende Zubehör könnte Kontakt zur Auflagefläche erhalten, sodass Sie die Kontrolle über das Elektrowerkzeug verlieren.
13. **Schalten Sie das Elektrowerkzeug immer aus, bevor Sie es transportieren.** Ihre Kleidung kann durch zufälligen Kontakt mit dem sich drehenden Zubehör erfasst werden, und das Zubehör kann sich in Ihren Körper bohren.
14. **Reinigen Sie die Lüftungsschlitze des Elektrowerkzeugs regelmäßig.** Der Motorventilator zieht Staub in das Gehäuse hinein, wobei eine übermäßige Ansammlung von Metallspänen Gefahren durch Elektrizität verursachen kann.
15. **Betreiben Sie das Elektrowerkzeug nicht in der Nähe brennbarer Materialien.** Diese Materialien können durch Funken entflammt werden.
16. **Verwenden Sie keine Zubehörteile, die flüssige Kühlmittel benötigen.** Bei Verwendung von Wasser oder anderen flüssigen Kühlmitteln kann es zu einem Stromschlag kommen.
- Rückschläge und entsprechende Warnhinweise**  
 Ein „Rückschlag“ ist eine plötzliche Reaktion von sich drehenden Rädern, Polierscheiben, Bürsten oder sonstigen Zubehörteilen, wenn diese auf ein Hindernis stoßen oder eingeklemmt werden. Durch Verklemmen oder Verfangen kommt es zu einem plötzlichen Stillstand des rotierenden Zubehörs, sodass das Elektrowerkzeug am Punkt des Festfahrens in entgegengesetzte Rotationsrichtung des Zubehörs gezwungen wird. Verklemt sich beispielsweise eine Schleifscheibe im Werkstück, kann die Kante, die in den Punkt des Verklemmens eindringt, in die Oberfläche des Materials eindringen, sodass die Scheibe ausschlägt. Die Scheibe springt entweder in Ihre Richtung oder vom Bediener weg, dies hängt von der Richtung der Scheibenbewegung am Punkt des Verklemmens ab. Unter diesen Umständen können Schleifscheiben auch zerbersten. Rückschläge werden durch eine falsche Handhabung des Elektrowerkzeugs und/oder unsachgemäße Bedienschritte oder -umstände verursacht und können durch die unten aufgeführten Maßnahmen vermieden werden.
- a) **Halten Sie das Elektrowerkzeug stets mit beiden Händen gut fest, und halten Sie Ihren Körper und Ihre Arme so, dass Sie Rückschläge abfangen können. Verwenden Sie immer den Zusatzgriff, sofern vorhanden, um größtmögliche Kontrolle über Rückschlagkräfte oder Reaktionsmomente beim Hochlauf zu haben.** Bei geeigneten Vorsichtsmaßnahmen kann die Bedienperson Rückschlag- und Reaktionskräfte beherrschen.
- b) **Bringen Sie Ihre Hand nie in die Nähe rotierender Einsatzwerkzeuge.** Das Zubehör könnte über Ihre Hand zurückschlagen.
- c) **Meiden Sie mit Ihrem Körper den Bereich, in den das Elektrowerkzeug bei einem Rückschlag bewegt würde.** Der Rückschlag treibt das Elektrowerkzeug in die Richtung entgegengesetzt zur Bewegung der Schleifscheibe an der Blockierstelle.
- d) **Arbeiten Sie im Bereich von Ecken, scharfen Kanten usw. besonders vorsichtig. Verhindern Sie, dass Einsatzwerkzeuge vom Werkstück zurückprallen und verklemmen.** Das rotierende Einsatzwerkzeug neigt bei Ecken, scharfen Kanten oder beim Abprallen dazu, sich zu verklemmen. Dies verursacht einen Verlust der Kontrolle oder Rückschlag.
- e) **Verwenden Sie kein Ketten- oder gezähntes Sägeblatt.** Solche Werkzeuge verursachen häufig einen Rückschlag oder den Verlust der Kontrolle über das Elektrowerkzeug.
- Spezielle Sicherheitshinweise für den Schleifbetrieb:**
- a) **Verwenden Sie ausschließlich die für dieses Elektrowerkzeug zugelassenen Schleifkörper und die für diese Schleifkörper vorgesehene Schutzhaube.** Schleifkörper, die nicht für das Elektrowerkzeug vorgesehen sind, können nicht ausreichend abgeschirmt werden und verursachen Gefahren.



b) Verwenden Sie ausschließlich unbeschädigte Spannflansche in der richtigen Größe und Form für die von Ihnen gewählte Schleifscheibe. Die vorgeschriebenen Flansche stützen die Schleifscheibe und verringern so die Gefahr eines Schleifscheibenbruchs.

#### Zusätzliche Sicherheitshinweise:

17. Bringen Sie vor dem Betrieb immer erst den Staubschutz an.
18. Achten Sie sorgfältig darauf, dass Spindel, Flansch (insbesondere die Ansatzfläche) oder Sicherungsmutter nicht beschädigt werden. Eine Beschädigung dieser Teile kann zu einem Scheibenbruch führen.
19. Stellen Sie sicher, dass die Scheibe das Werkstück nicht berührt, bevor das Werkzeug eingeschaltet wurde.
20. Bevor Sie das Werkzeug auf das zu bearbeitende Werkstück ansetzen, lassen Sie es einige Zeit ohne Last laufen. Achten Sie auf Vibrationen und Schlagen; beide Anzeichen können auf eine schlecht ausgewuchtete oder nicht fachgerecht eingebaute Schleifscheibe hindeuten.
21. Achten Sie auf Funkenflug. Halten Sie das Werkzeug so, dass Sie, umstehende Personen oder leicht entzündliche Materialien nicht von Funken getroffen werden.
22. Lassen Sie das Werkzeug nicht unbeaufsichtigt eingeschaltet. Das Werkzeug darf nur dann eingeschaltet werden, wenn es festgehalten wird.
23. Vermeiden Sie eine Berührung der Spezial-Diamantscheibe unmittelbar nach der Bearbeitung, die Scheibe ist noch sehr heiß und kann Hautverbrennungen verursachen.
24. Schalten Sie vor dem Ausführen von Arbeiten am Werkzeug das Werkzeug stets aus und ziehen Sie den Netzstecker bzw. entfernen Sie den Akkublock.
25. Befolgen Sie die Anweisungen des Herstellers zur korrekten Montage und Verwendung von Schleifscheiben. Behandeln und lagern Sie Werkzeugeinsätze mit Sorgfalt.
26. Verwenden Sie keine separaten Reduzierbuchsen oder Adapter zur Anpassung von Schleifscheiben mit zu großem Innendurchmesser.
27. Verwenden Sie ausschließlich die für dieses Werkzeug vorgeschriebenen Flansche.
28. Beachten Sie, dass sich die Schleifscheibe nach dem Ausschalten der Maschine noch weiterdreht.
29. Falls der Arbeitsplatz sehr warm, feucht oder durch leitfähigen Staub stark verschmutzt ist, verwenden Sie einen Schutzschalter (30 mA), um für die Sicherheit des Bedieners zu sorgen.
30. Verwenden Sie dieses Werkzeug nicht zum Bearbeiten von asbesthaltigen Materialien.
31. Verwenden Sie kein Wasser oder Schleiöf.
32. Achten Sie beim Arbeiten unter staubigen Bedingungen darauf, dass die Ventilationsöffnungen frei bleiben. Sollte die Beseitigung von Staub notwendig sein, trennen Sie das Werkzeug zuerst vom Stromnetz (nichtmetallische Gegenstände verwenden), und achten Sie darauf, dass Bauteile im Inneren des Werkzeugs nicht beschädigt werden.

#### WARNUNG:

Bei MISSBRÄUCLICHER Verwendung des Werkzeugs und Missachtung der in diesem Handbuch enthaltenen Sicherheitshinweise kann es zu schweren Verletzungen kommen.

## BEWAHREN SIE DIESE ANLEITUNG SORGFÄLTIG AUF.

## FUNKTIONSBESCHREIBUNG

#### VORSICHT:

- Schalten Sie das Werkzeug stets aus und ziehen Sie den Stecker, bevor Sie Einstellungen am Werkzeug oder eine Funktionsprüfung des Werkzeugs vornehmen.

### Bedienung des Schalters (Abb. 1)

#### VORSICHT:

- Achten Sie vor dem Einstecken des Werkzeug-Netzsteckers darauf, dass sich der Ein/Aus-Schalter korrekt bedienen lässt und beim Loslassen in die Position „OFF“ (AUS) zurückkehrt.

#### Für Werkzeug mit Ausschaltsperr

Betätigen Sie zum Starten des Werkzeugs einfach den Ein/Aus-Schalter (A). Lassen Sie zum Ausschalten des Werkzeugs den Ein/Aus-Schalter los. Betätigen Sie für einen Dauerbetrieb den Ein/Aus-Schalter (A) und drücken Sie dann die Arretiertaste (B) hinein. Zum Lösen der Arretierung drücken Sie den Ein/Aus-Schalter (A) bis zum Anschlag und lassen Sie den Schalter anschließend los.

#### Für Werkzeug mit Einschaltsperr

Um eine versehentliche Betätigung des Ein/Aus- bzw. Auslöseschalters zu verhindern, kann das Werkzeug mit einer Einschaltsperr ausgestattet sein. Betätigen Sie zum Starten des Werkzeugs den Ein/Aus- bzw. Auslöseschalter (A), während Sie die Arretiertaste (B) gedrückt halten. Lassen Sie zum Ausschalten des Werkzeugs den Ein/Aus- bzw. Auslöseschalter los.

#### Für Werkzeug mit Aus- und Einschaltsperr

Um eine versehentliche Betätigung des Ein/Aus- bzw. Auslöseschalters zu verhindern, kann das Werkzeug mit einer Schaltsperr ausgestattet sein. Betätigen Sie zum Starten des Werkzeugs den Ein/Aus- bzw. Auslöseschalter (A), während Sie die Arretiertaste (B) gedrückt halten. Lassen Sie zum Ausschalten des Werkzeugs den Ein/Aus- bzw. Auslöseschalter los. Betätigen Sie für den Dauerbetrieb den Ein/Aus-Schalter (A), während Sie die Arretiertaste (B) gedrückt halten, und drücken Sie die Arretiertaste (B) weiter hinein. Zum Lösen der Arretierung drücken Sie den Ein/Aus-Schalter (A) bis zum Anschlag und lassen Sie den Schalter anschließend los.

## Elektronische Funktion

### Regelung einer konstanten Drehzahl

- Eine saubere Oberfläche wird erreicht, wenn die Drehzahl auch bei Belastung konstant gehalten wird.
- Wenn die Last auf dem Werkzeug den erlaubten Pegel überschreitet, wird außerdem die Stromzufuhr an den Motor gedrosselt, um den Motor vor Überhitzung zu

schützen. Wenn die Last wieder auf den erlaubten Pegel absinkt, wird das Werkzeug normal betrieben.

## Soft-Start-Funktion

- Weiches Anlaufen auf Grund eines unterdrückten Anlaufdruckens.

### Anzeigenleuchte (Abb. 2)

Die Anzeige leuchtet grün, sobald das Werkzeug an die Stromversorgung angeschlossen ist. Wenn die Anzeige nicht leuchtet, ist möglicherweise das Netzkabel oder der Regler defekt. Wenn die Anzeige leuchtet und das Werkzeug nicht startet, obwohl es eingeschaltet wird, können die Kohlebürsten verbraucht sein, oder der Motor oder der Schalter ist defekt.

### Sicherung vor unbeabsichtigtem Neustart

Auch wenn die Arretiertaste den Ein-Aus-Schalter gedrückt hält (Einschaltposition), wird das Werkzeug nicht erneut gestartet, wenn das Werkzeug an die Stromversorgung angeschlossen wird.

Zu diesem Zeitpunkt flackert die Anzeige rot und zeigt die Aktivierung des Schutzgeräts zur Verhinderung eines unbeabsichtigten Neustarts an.

Zum Aufheben der Sicherung vor unbeabsichtigtem Neustart betätigen Sie den Auslöseschalter bis zum Anschlag betätigen und lassen Sie ihn anschließend los.

### Abschleifen (nur für PC5001C) (Abb. 3)

Zum Abschleifen einer Fläche auf eine bestimmte Tiefe muss der Gleitschuh des Schleifers entsprechend zur Diamantscheibe ausgerichtet werden. Die vordere Rolle muss (mit einem Sechskantschlüssel) aufwärts auf die Höhe eingestellt werden, die für den gewünschten Werkstoffabtrag erforderlich ist.

Um den Abtrag von der zu bearbeitenden Fläche zu ändern, lösen Sie mit Hilfe des Sechskantschlüssels die Inbusschrauben am Griffhalter. Heben bzw. senken Sie die vordere Rolle, um den Abstand zur Diamantscheibe einzustellen. Die Differenz ist der Betrag an abgetragenen Werkstoff. Ziehen Sie dann die Inbusschrauben sorgfältig wieder fest. (Abb. 4)

### HINWEIS:

- Der maximale Werkstoffabtrag sollte unter 4,0 mm liegen.

### Kippen des Gleitschuhs für glattes

### Abschleifen (nur für PC5001C) (Abb. 5)

Um Oberflächenrauheiten oder Texturen glattzuschleifen, ist das Kippen des Gleitschuhs sinnvoll. Lösen Sie mit Hilfe des Inbusschlüssels die beiden Inbusschrauben, mit denen der Gleitschuh auf beiden Seiten gesichert ist.

Senken Sie mit Hilfe eines Inbusschlüssels die drei Inbusschrauben am Gleitschuh durch Drehen im Uhrzeigersinn ab. (Abb. 6)

Stellen Sie mit Hilfe eines Anschlagwinkels oder Lineals den gewünschten Winkel des Gleitschuhs in Bezug zur Diamantscheibe ein. Ziehen Sie dann die Inbusschrauben auf beiden Seiten des Gleitschuhs sorgfältig wieder fest. Stellen Sie die Mitte des Gleitschuhs neben der Scheibe so ein, dass sie sich auf gleicher Höhe mit der Scheibe befindet. (Abb. 7)

### HINWEIS:

- Nach Einstellen des Gleitschuhs drehen Sie die drei Inbusschrauben am Gleitschuh gegen den Uhrzeigersinn, bis die Köpfe mit der Rückseite des Gleitschuhs abschließen. Gehen Sie dabei vorsichtig vor, da sich anderenfalls die Einstellung des Gleitschuhs verändern kann.

### Einstellung des Gleitschuhs zum Ausgleich der Scheibenabnutzung (nur für PC5001C)

Bei längerem Gebrauch nutzt sich die Diamantscheibe ab, und es entsteht ein Abstand zur Schleifoberfläche, wodurch sich die Schleifleistung vermindert. Überprüfen Sie das Werkzeug alle 4 bis 5 Betriebsstunden. Wenn die Oberflächen von Scheibe und Gleitschuh nicht in derselben Ebene liegen, lösen Sie die zwei Inbusschrauben, mit denen der Gleitschuh gesichert ist. Drehen Sie die drei Inbusschrauben am Gleitschuh im Uhrzeigersinn, und stellen Sie den Gleitschuh auf diese Weise plan mit der Scheibenoberfläche ein. Ziehen Sie die zwei Inbusschrauben, mit denen der Gleitschuh gesichert ist, wieder ordnungsgemäß fest und drehen Sie anschließend die Inbusschrauben entgegen den Uhrzeigersinn, damit sich die Schrauben während des Betriebs nicht lösen.

### Einstellen des Staubschutzes (Abb. 8)

Lösen Sie die Schraube und stellen Sie die Höhe der Bürste des Staubschutzes ein. Die Bürste des Staubschutzes sollte sich entweder in der gleichen Ebene wie die Diamantscheibe oder leicht darüber (0,5 mm) befinden (wenn das Werkzeug umgedreht wird). Wenn Bürste und Scheibe nicht ungefähr in der gleichen Ebene sind, erfolgen Staubaufnahme und -absaugung nur ungenügend. Ziehen Sie die Schraube nach der Einstellung unbedingt wieder ordnungsgemäß fest. Stellen Sie die Höhe des Staubschutzes ein. Erfassen Sie dazu den Staubschutz an der Außenseite und drehen Sie den Staubschutz im Uhrzeigersinn zum Anheben bzw. entgegen den Uhrzeigersinn zum Absenken.

## MONTAGE

### VORSICHT:

- Schalten Sie das Werkzeug stets aus und ziehen Sie den Netzstecker, bevor Sie irgendwelche Arbeiten am Werkzeug durchführen.

### Montage und Demontage der Schleifscheibe (Abb. 9)

Um eine abgenutzte Diamantscheibe zu ersetzen, drücken Sie die Spindelarretierung voll hinein, um die Spindel festzuhalten, und lösen Sie mit Hilfe des mitgelieferten Sicherungsmutterschlüssels die Sicherungsmutter durch Linksdrehung. Entnehmen Sie die abgenutzte Diamantscheibe. Zum Montieren einer neuen Scheibe führen Sie die oben aufgeführten Demontageschritte in umgekehrter Reihenfolge aus. Stellen Sie bei der Montage einer Diamantscheibe unbedingt sicher, dass die Sicherungsmutter ordnungsgemäß festgezogen wurde.

## HINWEIS:

- Die auf dem Markt erhältlichen billigen Diamantscheiben haben keine Auslassöffnungen, die Staubabsaugung erfolgt daher unzureichend. Außerdem kann das Werkzeug vibrieren, wenn das Montageloch nicht den exakten Durchmesser hat, wodurch es zu Unfällen kommen kann. **VERWENDEN SIE AUSSCHLIESSLICH SPEZIAL-DIAMANTSCHLEIBEN VON MAKITA.**

## Austausch der Staubschutzbürste

### (Abb. 10)

Nehmen Sie die Staubschutzbürste vom Staubschutz ab, indem Sie ein Ende der Bürste erfassen und langsam herausziehen. **(Abb. 11)**

Befestigen Sie eine Staubschutzbürste, indem Sie die Außenkante der Bürste in die Rille im Staubschutz einlegen. **(Abb. 12)**

Dehnen Sie die Rille anschließend auseinander. Legen Sie nun die Innenkante der Staubschutzbürste in die ausgedehnte Rille ein. Wiederholen Sie diesen Vorgang, um die Bürste vollständig einzulegen.

## Staubsaugbeutel (Abb. 13)

Schieben Sie den Staubsaugbeutel auf den Staubabsaugstutzen. Stellen Sie unbedingt sicher, dass der Staubsaugbeutel bis zum Anschlag über den Absaugstutzen gestülpt wird, damit sich der Beutel während des Betriebs nicht löst.

Entnehmen Sie den Staubsaugbeutel, sobald er die zu bearbeitende Fläche berührt. Dies ist ein Zeichen, dass der Beutel voll ist. Wenn Sie den Beutel nicht leeren, lässt die Saugleistung/Aufnahme nach.

## Anschließen eines Staubsaugers

### (Abb. 14)

Um die Schleifarbeiten bei größter Sauberkeit auszuführen, schließen Sie einen Makita-Staubsauger an das Werkzeug an, wie in der Abbildung dargestellt.

## BETRIEB

### Schleifen in Ecken

#### Für PC5000C

Das Planschleifen von Ecken ist nur mit demontierter Staubschutzkappe möglich.

#### Für PC501C (Abb. 15)

Vor dem Planschleifen in Ecken schrauben Sie die Sechskantschraube heraus, mit der der Rollenhalter und Gleitschuhhalter befestigt sind, und nehmen Sie anschließend den kompletten Rollerhalter ab.

Lösen Sie anschließend die Inbusschraube, nehmen Sie die Staubschutzkappe ab und bringen Sie den Staubschutz in eine für die vorgesehenen Arbeiten geeignete Position. **(Abb. 16)**

## WARTUNG

### VORSICHT:

- Schalten Sie das Werkzeug stets aus und ziehen Sie den Stecker, bevor Sie Prüfungen oder Wartungsarbeiten am Werkzeug durchführen.

## Ersetzen der Kohlebürsten (Abb. 17)

Entnehmen und überprüfen Sie die Kohlebürsten in regelmäßigen Abständen. Wenn die Kohlebürsten bis zur Verschleißgrenze abgenutzt sind, müssen sie ersetzt werden. Halten Sie die Kohlebürsten sauber und sorgen Sie dafür, dass sie problemlos in den Halterungen gleiten. Ersetzen Sie immer beide Kohlebürsten. Verwenden Sie nur identische Kohlebürsten.

Nehmen Sie die Köpfe der Bürstenhalter mit Hilfe eines Schraubendrehers ab. Entnehmen Sie die verbrauchten Kohlebürsten, setzen Sie neue Bürsten ein und bringen Sie die Bürstenhalterköpfe wieder fest an. **(Abb. 18)**

Um die SICHERHEIT und ZUVERLÄSSIGKEIT des Produkts zu gewährleisten, sollten Reparaturen, Wartungsarbeiten und Einstellungen nur durch von Makita autorisierte Servicecenter durchgeführt und ausschließlich Makita-Ersatzteile verwendet werden.

## ZUBEHÖR

### VORSICHT:

- Für das in diesem Handbuch beschriebene Makita-Werkzeug werden folgende Zubehör- und Zusatzteile empfohlen. Bei Verwendung anderer Zubehör- und Anbauteile besteht Verletzungsgefahr. Verwenden Sie Zubehör- und Zusatzteile nur für den vorgesehenen Zweck.

Informationen zu diesem Zubehör erhalten Sie in einem Makita-Servicecenter in Ihrer Nähe.

- Spezial-Diamantschleibe (Trockentyp)
- Winkelstück 32

### EG-KONFORMITÄTSERKLÄRUNG

ENH101-9

#### Modell: PC5000C, PC501C

Wir erklären in alleiniger Verantwortung, dass dieses Produkt den Normen der folgenden Normdokumente genügt:

EN60745, EN55014, EN61000 entsprechend den Ratsverordnungen 2004/108/EC, 98/37/EC.

CE2008



Tomoyasu Kato  
Geschäftsführer

Verantwortlicher und ladbarer Hersteller:

#### Makita Corporation

3-11-8, Sumiyoshi-cho, Anjo, Aichi, JAPAN

Autorisierte Vertretung in Europa:

#### Makita International Europe Ltd.

Michigan Drive, Tongwell, Milton Keynes, Bucks MK15 8JD, ENGLAND

**Spiegazione della vista generale**

- |  |                           |                                |
|--|---------------------------|--------------------------------|
| 1. Levetta di blocco                   | 9. Base                   | 19. Blocco dell'albero         |
| 2. Interruttore                        | 10. Stesso livello        | 20. Sacchetto per la polvere   |
| 3. Spia luminosa                       | 11. Squadra o riga        | 21. Coperchio antipolvere      |
| 4. Base (solo per PC5001C)             | 12. Sollevare             | 22. Supporto dell'intero rullo |
| 5. Chiave esagonale                    | 13. Abbassare             | 23. Bullone esagonale          |
| 6. Rullo anteriore                     | 14. Coperchio antipolvere | 24. Indicatore di limite       |
| 7. Bullone a testa esagonale incassata | 15. Vite                  | 25. Coperchio portaspazzola    |
| 8. Quantità di materiale da rimuovere  | 16. Controdado            | 26. Cacciavite                 |
|  | 17. Chiave controdado     |                                |
|  | 18. Disco diamantato      |                                |

**CARATTERISTICHE TECNICHE**

Modello	PC5000C	PC5001C
Diametro del disco	125 mm	
Diametro del foro	22,23 mm	
Filettatura mandrino	M14	
Velocità nominale (n)/Velocità a vuoto (n <sub>0</sub> )	10.000 (min <sup>-1</sup> )	
Lunghezza totale	437 mm	479 mm
Peso netto	4,0 kg	5,1 kg
Classe di sicurezza	II/II	

- Le caratteristiche tecniche riportate di seguito sono soggette a modifiche senza preavviso in virtù del nostro programma continuo di ricerca e sviluppo.
- Nota: le caratteristiche tecniche possono differire da paese a paese.
- Peso calcolato in base alla Procedura EPTA 01/2003

**Uso previsto** ENE002-1

L'utensile è progettato per la piallatura di superfici in cemento.

**Alimentazione** ENF002-1

L'utensile deve essere collegato a una presa di corrente con la stessa tensione di quella indicata sulla targhetta e può funzionare soltanto con corrente alternata monofase. L'utensile è dotato di doppio isolamento in osservanza alle norme europee, pertanto può essere usato anche con prese di corrente sprovviste della messa a terra.

**REGOLE DI SICUREZZA SPECIFICHE**

GEB043-3

**NON lasciare che la familiarità acquisita con il prodotto dovuta all'uso ripetuto provochi l'inosservanza delle regole di sicurezza della pialla per cemento. Se questo utensile viene utilizzato in modo improprio o errato, è possibile subire lesioni personali gravi.**

**Avvertenze di sicurezza per le operazioni di smerigliatura:**

1. **Questo elettroutensile è costruito per essere utilizzato come smerigliatrice con dispositivi dotati di dischi diamantati. Leggere tutti gli avvisi di sicurezza, le istruzioni, le illustrazioni e le caratteristiche tecniche fornite con questo utensile.** La mancata osservanza delle istruzioni riportate di seguito può provocare scosse elettriche, incendi e/o lesioni gravi.
2. **Non è consigliato eseguire con questo utensile operazioni quali smerigliatura con dischi abrasivi, carteggiatura, spazzolatura metallica, lucidatura e taglio.** Operazioni per le quali l'utensile non è stato progettato possono creare un rischio e lesioni personali.
3. **Non usare accessori che non siano specificamente realizzati e raccomandati dal produttore dell'utensile.** Il semplice fissaggio dell'accessorio al proprio utensile non garantisce un funzionamento sicuro.
4. **La velocità nominale dell'accessorio deve essere almeno equivalente alla velocità massima contrassegnata sull'utensile.** Gli accessori che funzionano più velocemente della velocità nominale possono rompersi in più pezzi.
5. **Il diametro esterno e lo spessore dell'accessorio devono corrispondere ai limiti di capienza dell'utensile.** Gli accessori con dimensioni errate non possono essere custoditi o controllati adeguatamente.
6. **Le dimensioni del mandrino dei dischi, delle flange o di qualunque altro accessorio devono corrispondere esattamente al mandrino dell'utensile.** Gli accessori con i fori del mandrino che non corrispondono al supporto dell'utensile tenderanno a perdere l'equilibrio, vibrare eccessivamente e potrebbero causare la perdita di controllo.
7. **Non utilizzare un accessorio danneggiato. Prima di ogni uso, esaminare gli accessori, come i dischi diamantati, per individuare eventuali trucioli o rotture. Se l'utensile o l'accessorio cadono,**

**controllare l'eventuale presenza di danni o installare un accessorio intatto. Dopo aver esaminato e installato un accessorio, scostarsi e allontanare eventuali persone presenti dal piano di rotazione dell'accessorio, quindi azionare l'utensile alla massima velocità a vuoto, per un minuto.** Normalmente, un accessorio danneggiato si romperà nel corso di questa prova.

8. **Indossare l'equipaggiamento di protezione individuale. A seconda dell'applicazione, utilizzare uno schermo facciale, occhiali protettivi o di sicurezza. Se necessario, indossare una maschera antipolvere, guanti e un grembiule da officina in grado di fermare frammenti piccoli o abrasivi del pezzo in lavorazione.** La protezione degli occhi deve essere capace di arrestare i residui volanti generati dalle varie operazioni. La maschera antipolvere o il respiratore devono essere in grado di filtrare le particelle generate dalla propria attività. L'esposizione prolungata al rumore ad alta intensità può causare la perdita dell'udito.
9. **Mantenere gli astanti ad una distanza di sicurezza dall'area di lavoro. Tutte le persone che entrano nella zona di lavoro devono indossare l'equipaggiamento di protezione individuale.** I frammenti di un pezzo o di un accessorio rotto possono volare via e provocare lesioni oltre l'area operativa immediata.
10. **Se vengono eseguite operazioni in cui l'accessorio di taglio può toccare fili nascosti o il cavo di alimentazione dell'utensile, impugnare l'utensile utilizzando solo i punti di presa isolati.** Il taglio di un accessorio provocato dal contatto con un filo percorso da corrente farà sì che le parti metalliche esposte dell'utensile si trovino anch'esse sotto tensione provocando scosse elettriche all'operatore.
11. **Posizionare il cavo lontano dell'accessorio rotante.** Se si perde il controllo, il cavo può tagliarsi o impigliarsi e la mano o il braccio spinti nell'accessorio rotante.
12. **Non appoggiare mai l'utensile a terra se l'accessorio non è fermo completamente.** L'accessorio rotante può afferrare la superficie e causare la perdita di controllo dell'utensile.
13. **Non avviare l'utensile mentre lo si trasporta sul fianco.** Il contatto accidentale con l'accessorio rotante può strappare i vestiti, tirando l'accessorio sul proprio corpo.
14. **Pulire regolarmente le aperture di ventilazione dell'utensile.** La ventola del motore attrarrà la polvere all'interno dell'alloggiamento e l'accumulo eccessivo di polvere metallica può causare pericoli elettrici.
15. **Non utilizzare l'utensile vicino a materiali infiammabili.** Le scintille potrebbero bruciare questi materiali.
16. **Non utilizzare accessori che richiedano refrigeranti liquidi.** L'utilizzo di acqua o di altri refrigeranti liquidi può provocare elettrocuzione o scosse elettriche.

#### **Contraccolpi e avvisi correlati**

I contraccolpi sono una reazione improvvisa ad un disco mobile incastrato o urtato, una spazzola o qualunque altro accessorio. L'incastramento o l'urto causano uno stallo veloce dell'accessorio rotante che a sua volta mette fuori

controllo l'utensile forzandolo nella direzione opposta alla rotazione dell'accessorio nel punto di grippaggio. Ad esempio, se un disco abrasivo si impiglia o urta contro un pezzo, il bordo del disco che entra nel punto di incastramento può scavare la superficie del materiale causando l'innalzamento o l'espulsione del disco. Il disco potrebbe saltare verso o lontano dall'operatore, a seconda della direzione del movimento del disco nel punto di incastramento. In queste circostanze i dischi abrasivi possono anche rompersi.

I contraccolpi sono determinati dall'uso improprio dell'utensile e/o da procedure o condizioni operative errate e possono essere evitati adottando le precauzioni specifiche illustrate di seguito.

- a) **Stringere con forza l'utensile e posizionare il proprio corpo e il braccio per resistere alle forze del contraccolpo. Utilizzare sempre la maniglia ausiliaria, se inclusa, per un controllo massimo della reazione contro la coppia di torsione o i contraccolpi durante l'avvio.** L'operatore può controllare le reazioni della coppia di torsione o le forze del contraccolpo, se vengono adottate le precauzioni adeguate.
- b) **Non posizionare mai le mani vicino all'accessorio rotante.** Gli accessori possono causare contraccolpi alla mano.
- c) **Se si verificano contraccolpi, non posizionare il corpo nella zona in cui si sposterà l'utensile.** I contraccolpi spingeranno l'utensile in avanti nella direzione opposta al movimento del disco nel punto dell'urto.
- d) **Prestare particolare attenzione durante il lavoro negli angoli, sui bordi aguzzi e così via. Evitare di fare rimbalzare o urtare l'accessorio.** Gli angoli, i bordi taglienti o i rimbalzi tendono a strappare l'accessorio rotante e causare la perdita di controllo o contraccolpi.
- e) **Non collegare una lama per scolpire munita di una catena di taglio o una lama di taglio dentata.** Queste lame creano contraccolpi frequenti e la perdita di controllo.

#### **Avvertenze di sicurezza specifiche per le operazioni di smerigliatura:**

- a) **Utilizzare soltanto i tipi di dischi consigliati per l'utensile e la protezione specifica progettata per il disco selezionato.** I dischi non progettati per l'utensile non possono essere custoditi adeguatamente e sono pericolosi.
- b) **Utilizzare sempre flange del disco intatte con le dimensioni e la forma corrette per il disco selezionato.** Flange adeguate del disco supportano il disco e riducono quindi la possibilità della relativa rottura.

#### **Avvertenze di sicurezza supplementari:**

17. **Inserire sempre il coperchio antipolvere prima dell'utilizzo.**
18. **Fare attenzione a non danneggiare il mandrino, la flangia (soprattutto la superficie di installazione) o il controdado. Se queste parti vengono danneggiate, il disco potrebbe rompersi.**
19. **Verificare che il disco non tocchi il pezzo in lavorazione prima che si accenda l'interruttore.**
20. **Prima di usare l'utensile, lasciarlo funzionare a vuoto per qualche minuto. Prestare attenzione a**

vibrazioni e oscillazioni, che potrebbero indicare difetti di installazione o che il disco non è bilanciato correttamente.

21. Fare attenzione alle scintille. Tenere l'utensile in modo che le scintille non siano dirette verso l'operatore, altre persone o materiali infiammabili.
22. Non lasciare l'utensile acceso. Azionare l'utensile solo dopo averlo impugnato.
23. Non toccare il dispositivo con disco diamantato subito dopo aver utilizzato l'utensile poiché può raggiungere temperature elevate e provocare ustioni.
24. Prima di eseguire qualsiasi operazione sull'utensile, verificare sempre di averlo spento e scollegato e di aver rimosso la batteria.
25. Osservare le istruzioni del produttore per il corretto montaggio e utilizzo dei dischi. Maneggiare e conservare i dischi con cura.
26. Non utilizzare boccole di riduzione o adattatori separati per montare dischi con foro largo.
27. Usare soltanto flange specifiche per questo utensile.
28. Tenere presente che il disco continua a girare anche dopo aver spento l'utensile.
29. Se l'ambiente di lavoro è estremamente caldo o umido oppure contaminato da polvere conduttiva, usare un salvavita (30 mA) per garantire la sicurezza dell'operatore.
30. Non usare l'utensile su materiali che contengono amianto.
31. Non usare acqua o lubrificanti per la smerigliatura.
32. Accertarsi che le aperture di ventilazione siano aperte quando si lavora in ambienti polverosi. Per rimuovere l'eventuale polvere, staccare prima l'utensile dalla presa di corrente (non usare oggetti metallici) in modo da evitare di danneggiare le parti interne.

#### AVVERTENZA:

L'USO IMPROPRIO o la mancata osservanza delle norme di sicurezza contenute in questo manuale può provocare lesioni personali gravi.

## CONSERVARE QUESTE ISTRUZIONI.

## DESCRIZIONE FUNZIONALE

#### ATTENZIONE:

- Prima di regolare o controllare le funzioni dell'utensile, verificare sempre di averlo spento e scollegato dall'alimentazione.

### Azionamento dell'interruttore (Fig. 1)

#### ATTENZIONE:

- Prima di collegare l'utensile, controllare se l'interruttore funziona correttamente e ritorna alla posizione "OFF" una volta rilasciato.

#### Per utensili con interruttore di blocco

Per accendere l'utensile è sufficiente premere l'interruttore (A). Per spegnere l'utensile, rilasciare l'interruttore. Per il funzionamento continuo, tirare l'interruttore (A) e, successivamente, premere la levetta di

blocco (B). Per arrestare l'utensile in funzionamento continuo premere a fondo l'interruttore (A) e, quindi, rilasciarlo.

#### Per utensili con sicura

La levetta di blocco consente di evitare di azionare involontariamente l'interruttore. Per accendere l'utensile spingere la levetta di blocco (B) e premere l'interruttore di accensione (A). Per spegnere l'utensile, rilasciare l'interruttore.

#### Per utensili con interruttore di blocco e sicura

La levetta di blocco consente di evitare di azionare involontariamente l'interruttore. Per accendere l'utensile spingere la levetta di blocco (B) e premere l'interruttore di accensione (A). Per spegnere l'utensile, rilasciare l'interruttore. Per il funzionamento continuo, spingere la levetta di blocco (B), premere l'interruttore di accensione (A), quindi spingere di nuovo la levetta di blocco (B). Per arrestare l'utensile in funzionamento continuo premere a fondo l'interruttore (A), quindi rilasciarlo.

## Funzione elettronica

### Controllo costante della velocità

- Consente finiture precise grazie alla costanza della velocità di rotazione anche in condizioni di carico.
- Inoltre, quando il carico dell'utensile supera i livelli consentiti, la potenza fornita al motore viene ridotta per evitare che il motore si surriscaldi. Quando il carico ritorna ai livelli consentiti, l'utensile riprende a funzionare normalmente.

### Funzione di avvio morbido

- L'avvio morbido permette di eliminare colpi e scosse iniziali.

#### Spia luminosa (Fig. 2)

La spia luminosa diventa verde quando l'utensile è collegato alla presa di corrente. Se la spia non si accende, il cavo di alimentazione o il controller potrebbero essere difettosi. Se la spia si accende ma l'utensile non si avvia nonostante sia acceso, potrebbero essersi usurate le spazzole di carbone oppure il controller, il motore o l'interruttore potrebbero essere difettosi.

#### Prova di riavvio involontario

Se si blocca la leva tenendo premuto l'interruttore (Posizione di blocco), l'utensile non si riaccende anche se collegato alla presa di corrente.

In questo momento, la spia luminosa diventa rossa e mostra che il dispositivo a prova di riavvio involontario è in funzione.

Per annullare la prova di riavvio involontario, premere a fondo l'interruttore, quindi rilasciarlo.

### Operazione di livellamento (solo per PC501C) (Fig. 3)

Per livellare una superficie, la base della pialla deve essere allineata con il disco diamantato. Il rullo anteriore deve essere regolato (utilizzando una chiave esagonale) fino a raggiungere il livello appropriato per la quantità di materiale che si intende rimuovere.

Per modificare la quantità di materiale (cemento) da rimuovere, allentare i bulloni a testa esagonale incassata sul supporto di base con la chiave esagonale. Sollevare o

abbassare il rullo anteriore per regolare lo spazio con il disco diamantato. La differenza è la quantità di materiale da rimuovere. Quindi riavvitare con estrema cura i bulloni a testa esagonale incassata. (Fig. 4)

#### NOTA:

- Il materiale totale da rimuovere deve essere inferiore a 4,0 mm.

### Inclinazione della base per un funzionamento più omogeneo (solo per PC5001C) (Fig. 5)

Per la rimozione omogenea di una superficie ruvida o irregolare, si consiglia di inclinare la base dell'utensile. Utilizzare la chiave esagonale per allentare i due bulloni a testa esagonale incassata che fissano la base su entrambi i lati.

Utilizzare la chiave esagonale per abbassare i tre bulloni a testa esagonale incassata sulla base ruotandoli sulla base in senso orario. (Fig. 6)

Utilizzare una squadra o una riga per ottenere l'angolo della base desiderato in relazione al disco diamantato. Assicurare quindi con estrema cura i bulloni a testa esagonale incassata su entrambi i lati della base. Regolare il centro della base vicino al disco in modo che sia sullo stesso livello del disco. (Fig. 7)

#### NOTA:

- Dopo la regolazione della base, ruotare i tre bulloni a testa esagonale incassata sulla base in senso antiorario finché le teste non sono a filo con il lato posteriore della base. Ruotare delicatamente, in caso contrario la regolazione della base si sposterà dalla sua sede.

### Regolazione della base per compensare l'usura del disco (solo per PC5001C)

Con l'uso ripetuto, il disco diamantato si usurerà e verrà quindi a crearsi uno spazio nella superficie lavorata e i risultati saranno di conseguenza meno soddisfacenti. Verificare l'utensile ogni 4-5 ore di utilizzo.

Se le superfici del disco e della base non sono allineate, allentare i due bulloni a testa esagonale incassata che fissano la base. Ruotare in senso orario i tre bulloni a testa esagonale incassata sulla base e regolare la base in modo che sia a livello con la superficie del disco. Stringere di nuovo saldamente i bulloni a testa esagonale incassata che fissano la base e quindi ruotare delicatamente in senso antiorario i bulloni a testa esagonale incassata in modo che non si allentino durante l'utilizzo dell'apparecchio.

### Regolazione del coperchio antipolvere (Fig. 8)

Allentare la vite e regolare il livello della spazzola del coperchio antipolvere. La spazzola del coperchio antipolvere deve essere a filo con la superficie del disco diamantato o appena superiore (quando l'apparecchio è invertito) a 0,5 mm. L'aspirazione/la pulitura non sarà efficace se le superfici non si trovano sullo stesso livello. Al termine della regolazione, serrare saldamente la vite. Per regolare il coperchio antipolvere, impugnarlo dall'esterno; ruotare in senso orario per sollevarlo e in senso antiorario per abbassarlo.

## MONTAGGIO

#### ATTENZIONE:

- Accertarsi sempre che l'utensile sia spento e scollegato prima di iniziare qualsiasi operazione di montaggio.

### Installazione o rimozione del disco diamantato (Fig. 9)

Per sostituire un disco diamantato usurato con uno nuovo, premere il blocco dell'albero per tenere fermo l'albero, quindi allentare il controalbero ruotandolo in senso antiorario con l'apposita chiave.

Rimuovere il disco diamantato usurato.

Per installarne uno nuovo, attenersi alla procedura di rimozione descritta in precedenza, procedendo in senso inverso.

Durante l'installazione di un disco diamantato, assicurarsi di serrare saldamente il controalbero.

#### NOTA:

- I comuni dischi diamantati presenti sul mercato non sono dotati di fori di ventilazione, per cui l'espulsione di polvere è scarsa. Inoltre, se il foro di installazione non è del diametro esatto, si potrebbero verificare vibrazioni dell'apparecchio e incidenti. **UTILIZZARE SEMPRE UN DISPOSITIVO CON DISCO DIAMANTATO MAKITA.**

### Sostituzione della spazzola del coperchio antipolvere (Fig. 10)

Per rimuovere la spazzola del coperchio antipolvere dal coperchio antipolvere, prendere un'estremità della spazzola del coperchio antipolvere e sollevarla delicatamente verso l'esterno. (Fig. 11)

Per installare la spazzola del coperchio antipolvere, inserire il bordo esterno della spazzola del coperchio antipolvere nella scanalatura nel coperchio antipolvere. (Fig. 12)

Quindi allargare la scanalatura. Quando la scanalatura è stata allargata, inserire il bordo interno della spazzola del coperchio antipolvere. Ripetere l'operazione e inserire tutte le parti rimanenti.

### Sacchetto per la polvere (Fig. 13)

Per installare il sacchetto per la polvere, inserirlo nell'area di espulsione della polvere. Assicurarsi di inserirlo completamente nell'area di espulsione della polvere finché non si arresta, in modo che non fuoriesca durante l'utilizzo dell'apparecchio.

Rimuovere il sacchetto per la polvere quando comincia a toccare la superficie di taglio. Questo indica che il sacchetto è pieno. Nel caso non si sostituisca il sacchetto, l'aspirazione/la pulitura della polvere non sarà efficace.

### Collegamento di un aspiratore (Fig. 14)

Se si desidera eseguire tagli senza produrre polvere, collegare all'utensile un aspiratore Makita, come mostrato nella figura.

## USO

### Piallatura in posizioni angolate

#### Per PC5000C

È possibile eseguire la piallatura a filo in posizioni angolate dopo aver rimosso il coperchio del supporto antipolvere.

#### Solo per PC5001C (Fig. 15)

Prima di effettuare la piallatura a filo di angoli, rimuovere il bullone esagonale che fissa il supporto del rullo e il supporto della base, quindi rimuovere il supporto dell'intero rullo.

Quindi, allentare il bullone a testa esagonale incassata, rimuovere il coperchio del supporto antipolvere e regolare il coperchio antipolvere in una posizione adeguata a seconda del lavoro da svolgere. (Fig. 16)

## MANUTENZIONE

#### ATTENZIONE:

- Prima di effettuare controlli e operazioni di manutenzione, verificare sempre che l'utensile sia spento e scollegato dall'alimentazione.

### Sostituzione delle spazzole di carbone (Fig. 17)

Rimuovere e controllare periodicamente le spazzole di carbone. Sostituire le spazzole quando sono consumate fino all'indicatore di limite. Mantenere le spazzole di carbone pulite e libere di scorrere nei supporti. Entrambe le spazzole di carbone devono essere sostituite contemporaneamente. Utilizzare solo spazzole di carbone dello stesso tipo.

Rimuovere i coperchi dei portaspazzola con un cacciavite. Estrarre le spazzole di carbone consumate, inserire le nuove spazzole e fissare i coperchi dei portaspazzola.

#### (Fig. 18)

Al fine di garantire la SICUREZZA e l'AFFIDABILITÀ del prodotto, le riparazioni e qualsivoglia ulteriore operazione di manutenzione o regolazione devono essere eseguite dai centri di assistenza autorizzati Makita utilizzando sempre parti di ricambio Makita.

## ACCESSORI

#### ATTENZIONE:

- Si raccomanda di usare questi accessori con l'utensile Makita descritto in questo manuale. L'uso di qualsiasi altro accessorio potrebbe provocare lesioni personali. Utilizzare gli accessori esclusivamente per l'uso dichiarato.

Per l'assistenza e ulteriori informazioni su tali accessori, rivolgersi al centro di assistenza Makita più vicino.

- Dispositivo con disco diamantato (Tipo a secco)
- Giunto angolare 32

## DICHIARAZIONE DI CONFORMITÀ CE

ENH101-9

### Modello; PC5000C, PC5001C

Dichiariamo sotto nostra esclusiva responsabilità che il presente prodotto è conforme alle seguenti norme o documenti normativi:

EN60745, EN55014, EN61000 secondo le disposizioni delle direttive del Consiglio, 2004/108/CE, 98/37/CE.

CE2008



Tomoyasu Kato  
Direttore

Produttore responsabile:

#### Makita Corporation

3-11-8, Sumiyoshi-cho, Anjo, Aichi, GIAPPONE

Rappresentanti autorizzati in Europa:

#### Makita International Europe Ltd.

Michigan Drive, Tongwell, Milton Keynes, Bucks MK15 8JD, INGHILTERRA



## NEDERLANDS

### Verklaring van algemene gegevens

- |                               |                           |                         |
|-------------------------------|---------------------------|-------------------------|
| 1. Vergrendelknop             | 10. Gelijke hoogte        | 19. Asvergrendeling     |
| 2. Aan/uit-schakelaar         | 11. Winkelhaak of liniaal | 20. Stofzak             |
| 3. Bedrijfslampje             | 12. Hoger                 | 21. Stofafdichtdeksel   |
| 4. Voet (alleen voor PC5001C) | 13. Lager                 | 22. Complete voorroller |
| 5. Inbussleutel               | 14. Stofafdichting        | 23. Zeskantbout         |
| 6. Voorrol                    | 15. Schroef               | 24. Slijtgrensmarkering |
| 7. Inbusbout                  | 16. Borgmoer              | 25. Koolborsteldop      |
| 8. Schuurdiepte               | 17. Borgmoersleutel       | 26. Schroevendraaier    |
| 9. Voet                       | 18. Diamantschijf         |                         |

## TECHNISCHE GEGEVENS

Model	PC5000C	PC5001C
Schijfdiameter	125 mm	
Diameter middengat	22,23 mm	
Asschroefdraad	M14	
Nominaal toerental (n)/Nullasttoerental (n <sub>0</sub> )	10.000 (min <sup>-1</sup> )	
Totale lengte	437 mm	479 mm
Netto gewicht	4,0 kg	5,1 kg
Veiligheidsklasse	II/III	

- Als gevolg van ons doorlopende onderzoeks- en ontwikkelingsprogramma, zijn de technische gegevens van dit gereedschap onderhevig aan veranderingen zonder voorafgaande kennisgeving.
- Opmerking: De technische gegevens kunnen van land tot land verschillen.
- Gewicht volgens de EPTA-procedure 01/2003

**Gebruiksdoel** ENE002-1  
Het gereedschap is bedoeld om beton te schuren.

**Voeding** ENF002-1  
Het gereedschap mag uitsluitend worden aangesloten op een voeding met dezelfde spanning als aangegeven op het identificatieplaatje en werkt alleen op enkele-fase wisselstroom. Het gereedschap is dubbel geïsoleerd volgens de Europese norm en mag derhalve ook op een niet-geaard stopcontact worden aangesloten.

## SPECIFIEKE VEILIGHEIDSVORSCHRIFTEN

GEB043-3

Laat u NIET misleiden door een vals gevoel van comfort en bekendheid met het gereedschap (na veelvuldig gebruik) en neem alle veiligheidsvoorschriften van de Handbetonschuurmachine altijd strikt in acht. Bij onveilig of verkeerd gebruik van het gereedschap, bestaat de kans op ernstig persoonlijk letsel.

**Gemeenschappelijke veiligheids waarschuwingen voor slijpwerkzaamheden:**

1. Dit elektrisch gereedschap is bedoeld voor gebruik als slijpgereedschap met excentrische diamantschijven. Lees alle veiligheids waarschuwingen, instructies, afbeeldingen en technische gegevens die bij dit elektrisch gereedschap worden geleverd. Als u nalaat alle onderstaande instructies te volgen, kan dit leiden tot een elektrische schok, brand en/of ernstig letsel.
2. **Wij adviseren u werkzaamheden zoals slijpen met slijpschijven, schuren, draadborstelen, polijsten of doorslijpen niet uit te voeren met dit elektrisch gereedschap.** Werkzaamheden waarvoor dit elektrisch gereedschap niet is bedoeld kunnen gevaarlijke situaties opleveren en tot persoonlijk letsel leiden.
3. **Gebruik geen accessoires die niet specifiek zijn ontworpen en aanbevolen door de fabrikant van het gereedschap.** Ook wanneer het accessoire kan worden bevestigd op uw elektrisch gereedschap, is een veilige werking niet gegarandeerd.
4. **Het nominaal toerental van het accessoire moet minstens gelijk zijn aan het maximumtoerental vermeld op het elektrisch gereedschap.** Accessoires die met een hoger toerental draaien dan hun nominaal toerental kunnen stuk breken en in het rond vliegen.
5. **De buitendiameter en de dikte van het accessoire moet binnen het capaciteitsbereik van het elektrisch gereedschap vallen.** Accessoires met verkeerde afmetingen kunnen niet afdoende worden afgeschermd of beheerst.
6. **De as diameter van schijven, flenzen en alle andere accessoires moeten goed passen rond de as van het elektrisch gereedschap.** Accessoires met een as diameter die niet overeenkomt met de standaard hardware voor het elektrisch gereedschap zullen niet in balans draaien, buitensporig trillen en kunnen tot verlies van controle over het gereedschap leiden.
7. **Gebruik nooit een beschadigd accessoire. Inspecteer het accessoire, bijvoorbeeld een**

- excentrische diamantschijf, vóór ieder gebruik op ontbrekende schijfers en barsten. Nadat het elektrisch gereedschap is gevallen, inspecteert u het op schade of monteert u een onbeschadigd accessoire. Na inspectie en montage van een accessoire, zorgt u ervoor dat u en omstanders niet in het rotatievlak van het accessoire staan, en laat u het elektrisch gereedschap draaien op het maximaal, onbelast toerental gedurende één minuut. Beschadigde accessoires breken normaal gesproken in stukken gedurende deze testduur.
8. **Gebruik persoonlijke veiligheidsmiddelen. Afhankelijk van de toepassing gebruikt u een spatscherm, een beschermende bril of een veiligheidsbril. Al naar gelang van toepassing draagt u een stofmasker, gehoorbeschermers, handschoenen en een werkschort die in staat zijn kleine stukjes slijpsel of werkstukfragmenten te weerstaan.** De oogbescherming moet in staat zijn rondvliegend afval te stoppen dat ontstaat bij de diverse werkzaamheden. Het stofmasker of ademhalingsapparaat moet in staat zijn deeltjes te filteren die ontstaat bij de werkzaamheden. Langdurige blootstelling aan zeer intens geluid kan leiden tot gehoorbeschadiging.
  9. **Houd omstanders op veilige afstand van het werkgebied. Iedereen die zich binnen het werkgebied begeeft, moet persoonlijke veiligheidsmiddelen gebruiken.** Fragmenten van het werkstuk of van een uiteengevallen accessoire kunnen rondvliegen en letsel veroorzaken buiten de onmiddellijke werkomgeving.
  10. **Houd elektrisch gereedschap uitsluitend vast aan het geïsoleerde oppervlak van de handgrepen wanneer u werkt op plaatsen waar het slijpaccessoire met verborgen bedrading of zijn eigen snoer in aanraking kan komen.** Wanneer het slijpaccessoire in aanraking komt met onder spanning staande draden, zullen ook de niet-geïsoleerde metalen delen van het elektrisch gereedschap onder spanning komen te staan zodat de gebruiker een elektrische schok kan krijgen.
  11. **Houd het snoer goed uit de buurt van het ronddraaiende accessoire.** Als u de controle verliest over het gereedschap, kan het snoer worden doorgesneden of bekneld raken, en kan uw hand of arm tegen het ronddraaiende accessoire worden aangetrokken.
  12. **Leg het elektrisch gereedschap nooit neer voordat het accessoire volledig tot stilstand is gekomen.** Het ronddraaiende accessoire kan de ondergrond pakken zodat u de controle over het elektrisch gereedschap verliest.
  13. **Laat het elektrisch gereedschap niet draaien terwijl u het naast u draagt.** Als het ronddraaiende accessoire u per ongeluk raakt, kan het verstrikt raken in uw kleding waardoor het accessoire in uw lichaam wordt getrokken.
  14. **Maak de ventilatieopeningen van het gereedschap regelmatig schoon.** De ventilator van de motor zal het stof de behuizing in trekken, en een grote opeenhoping van metaalslijpsel kan leiden tot elektrisch gevaarlijke situaties.
  15. **Gebruik het elektrisch gereedschap niet in de buurt van brandbare materialen.** Vonken kunnen deze materialen doen ontvlammen.
  16. **Gebruik geen accessoires die met vloeistof moeten worden gekoeld.** Het gebruik van water of andere vloeibare koelmiddelen kan leiden tot elektrocutie of elektrische schokken.
- Terugslag en aanverwante waarschuwingen**  
 Terugslag is een plotselinge reactie op een beknelde of vastgelopen draaiende schijf, rugschijf, borstel of enig ander accessoire. Beknellen of vastlopen veroorzaakt een snelle stilstand van het draaiende accessoire wat op zijn beurt ertoe leidt dat het elektrisch gereedschap zich ongecontroleerd beweegt in de tegenovergestelde richting van de draairichting van het accessoire op het moment van vastlopen.  
 Bijvoorbeeld, als een slijpschijf bekneld raakt of vastloopt in het werkstuk, kan de rand van de schijf die het beknellingspunt ingaat, zich invreten in het oppervlak van het materiaal waardoor de schijf eruit klimt of eruit slaat. De schijf kan daarbij naar de gebruiker toe of weg springen, afhankelijk van de draairichting van de schijf op het beknellingspunt. Slijpschijven kunnen in dergelijke situaties ook breken.  
 Terugslag is het gevolg van misbruik van het elektrisch gereedschap en/of onjuiste gebruikprocedures of -omstandigheden, en kan worden voorkomen door goede voorzorgsmaatregelen te treffen, zoals hieronder vermeld:
- a) **Houd het gereedschap stevig vast en houdt uw armen en lichaam zodanig dat u in staat bent een terugslag op te vangen. Gebruik altijd de extra handgreep (indien aanwezig) voor een maximale controle over het gereedschap in geval van terugslag en koppelreactie bij het starten.** De gebruiker kan een terugslag of de koppelreactie opvangen indien de juiste voorzorgsmaatregelen worden getroffen.
  - b) **Plaats uw hand nooit in de buurt van het draaiende accessoire.** Het accessoire kan terugslaan over uw hand.
  - c) **Plaats uw lichaam niet in het gebied waar het elektrisch gereedschap naar toe gaat wanneer een terugslag optreedt.** Een terugslag zal het gereedschap bewegen in de tegenovergestelde richting van de draairichting van de schijf op het moment van beknellen.
  - d) **Wees bijzonder voorzichtig bij het werken met hoeken, scherpe randen, enz. Voorkom dat het accessoire springt of bekneld raakt.** Hoeken, scherpe randen of springen veroorzaken vaak beknellen van het draaiende accessoire wat leidt tot terugslag of verlies van controle over het gereedschap.
  - e) **Bevestig geen houtbewerkingsblad van een zaagketting of getand zaagblad.** Dergelijke bladen leiden vaak tot terugslag of verlies van controle over het gereedschap.
- Veiligheidswaarschuwingen specifiek voor slijpwerkzaamheden:**
- a) **Gebruik uitsluitend schijven van het type aanbevolen voor uw elektrisch gereedschap en de specifieke beschermkap voor de te gebruiken schijf.** Schijven waarvoor het elektrisch gereedschap

niet is ontworpen, kunnen niet goed worden afgeschermd en zijn niet veilig.

b) **Gebruik altijd onbeschadigde schijfflens van de juiste afmetingen en vorm voor de te gebruiken schijf.** Een goede schijfflens ondersteunt de schijf en verkleint daarmee de kans op het breken van de schijf.

**Aanvullende veiligheidswaarschuwingen:**

17. **Monteer altijd vóór gebruik het stofafdichtdeksel.**
18. **Let erop dat u de as, de flens (met name de montagekant) en de borgmoer niet beschadigt. Als deze onderdelen beschadigd raken, kan de schijf breken.**
19. **Zorg ervoor dat de schijf niet in aanraking is met het werkstuk voordat u het gereedschap hebt ingeschakeld.**
20. **Laat het gereedschap een tijdje draaien voordat u het op het werkstuk gebruikt. Controleer op trillingen of schommelingen die op onjuiste montage of een slecht uitgebalanceerde schijf kunnen wijzen.**
21. **Wees alert op rondvliegende vonken. Houd het gereedschap zodanig vast dat de vonken wegvliegen van u en andere personen of brandbare materialen.**
22. **Laat het gereedschap niet ingeschakeld liggen. Bedien het gereedschap alleen wanneer u het vasthoudt.**
23. **Raak de excentrische diamantschijf niet onmiddellijk na gebruik aan. Deze kan bijzonder heet zijn en brandwonden op uw huid veroorzaken.**
24. **Controleer altijd of het gereedschap is uitgeschakeld en de stekker uit het stopcontact is getrokken of de accu is verwijderd alvorens enige werkzaamheden aan het gereedschap te verrichten.**
25. **Houd u aan de instructies van de fabrikant voor juiste montage en gebruik van de schijven. Behandel en bewaar de schijven zorgvuldig.**
26. **Gebruik geen afzonderlijke verkleinbussen of adapterringen om slijpschijven met een groot middengat te kunnen monteren.**
27. **Gebruik uitsluitend flenzen die geschikt zijn voor dit gereedschap.**
28. **Wees erop bedacht dat de schijf blijft doordraaien nadat het gereedschap is uitgeschakeld.**
29. **Als de werkruiimte bijzonder heet en vochtig is, of sterk vervuild is met geleidend stof, gebruik dan een kortsluitonderbreker (30 mA) om de veiligheid van de gebruiker te garanderen.**
30. **Gebruik het gereedschap niet op materiaal dat asbest bevat.**
31. **Gebruik geen water of slijpsmeermiddel.**
32. **Zorg ervoor dat de ventilatie-openingen niet verstopt raken bij gebruik in een stoffige omgeving. Als het noodzakelijk is het stof te verwijderen, moet u het gereedschap eerst loskoppelen van de netvoeding (gebruik hiervoor niet-metalen voorwerpen) en wees voorzichtig geen inwendige onderdelen te beschadigen.**

**WAARSCHUWING:**

**VERKEERD GEBRUIK of het niet volgen van de veiligheidsinstructies in deze gebruiksaanwijzing kan leiden tot ernstig persoonlijk letsel.**

## **BEWAAR DEZE INSTRUCTIES**

### **BESCHRIJVING VAN DE FUNCTIES**

**LET OP:**

- Controleer altijd of het gereedschap is uitgeschakeld en de stekker uit het stopcontact is getrokken alvorens de functies van het gereedschap te controleren of af te stellen.

#### **In- en uitschakelen (zie afb. 1)**

**LET OP:**

- Controleer altijd, voordat u de stekker in het stopcontact steekt, of de aan/uit-schakelaar op de juiste manier schakelt en weer terugkeert naar de uitstand nadat deze is losgelaten.

#### **Voor gereedschappen met een aan-vergrendeling**

Om het gereedschap in te schakelen, knijpt u gewoon de aan/uit-schakelaar (A) in. Laat de aan/uit-schakelaar los om het gereedschap te stoppen. Om het gereedschap continu te laten werken, knijpt u de aan/uit-schakelaar (A) in en duwt u vervolgens de vergrendelknop (B) naar voren. Om vanuit de vergrendelde werking het gereedschap te stoppen, knijpt u de aan/uit-schakelaar (A) helemaal in en laat u deze vervolgens weer los.

#### **Voor gereedschappen met een uit-vergrendeling**

Om te voorkomen dat de aan/uit-schakelaar per ongeluk wordt bediend, is een vergrendelknop aangebracht. Om het gereedschap te starten, duwt u eerst de vergrendelknop (B) naar voren en knijpt u vervolgens de aan/uit-schakelaar (A) in. Laat de aan/uit-schakelaar los om het gereedschap te stoppen.

#### **Voor gereedschappen met een aan-vergrendeling en een uit-vergrendeling**

Om te voorkomen dat de aan/uit-schakelaar per ongeluk wordt bediend, is een vergrendelknop aangebracht. Om het gereedschap te starten, duwt u eerst de vergrendelknop (B) naar voren en knijpt u vervolgens de aan/uit-schakelaar (A) in. Laat de aan/uit-schakelaar los om het gereedschap te stoppen. Om het gereedschap continu te laten werken, duwt u de vergrendelknop (B) naar voren, knijpt u de aan/uit-schakelaar in, en duwt u de vergrendelknop (B) verder naar voren. Om vanuit de vergrendelde werking het gereedschap te stoppen, knijpt u de aan/uit-schakelaar (A) helemaal in en laat u deze vervolgens weer los.

### **Elektronische aansturing**

#### **Constante-snelheidsregeling**

- Maakt een onberispelijke afwerking mogelijk omdat de draaisnelheid zelfs onder belasting constant blijft.
- Bovendien, wanneer de belasting van het gereedschap het toelaatbare niveau overschrijdt, wordt de voeding naar de motor beperkt om te voorkomen dat deze oververhit raakt. Wanneer de belasting weer op een

toelaatbaar niveau komt, zal het gereedschap weer normaal werken.

## Zachte-startfunctie

- Maakt een zachte start mogelijk door onderdrukking van de aanloopshok.

### Bedrijfslampje (zie afb. 2)

Het bedrijfslampje gaat branden zodra de stekker van het gereedschap in een stopcontact wordt gestoken. Als het lampje niet brandt, kan het netsnoer beschadigd zijn of de sturing defect. Als het lampje brandt, maar het gereedschap niet start, zelfs niet wanneer de schuifknop in de aan-stand wordt gezet, kunnen de koolborstels versleten zijn, of kunnen de motor, de sturing, of de schuifknop defect zijn.

### Onbedoelde herstartpreventie

Zelfs als de aan/uit-schakelaar met de vergrendelknop ingedrukt wordt gehouden (vergrendeld in de aan-stand), kan het gereedschap niet worden gestart door de stekker in het stopcontact te steken.

Op dit moment knipt het bedrijfslampje rood ten teken dat de onbedoelde herstartpreventie werkt.

Om de beveiliging tegen onbedoeld starten te annuleren, knijpt u de aan/uit-schakelaar helemaal in en laat u deze vervolgens weer los.

## Vlak schuren (alleen voor PC5001C) (zie afb. 3)

Om een oppervlak vlak te schuren moet de voet van de schuurmachine zijn uitgelijnd met de diamantschijf. De voorrol moet hoger worden afgesteld (met behulp van een inbussleutel) op de hoogte die nodig is om de gewenste schuurdiepte te verkrijgen.

Om de gewenste schuurdiepte (in het beton) in te stellen, draait u de inbusbouten op de voethouder los met behulp van de inbussleutel. Stel de voorrol hoger of lager af om het verschil ten opzichte van de diamantschijf in te stellen. Dit verschil is de schuurdiepte. Draai vervolgens de inbusbouten weer zorgvuldig vast (zie afb. 4).

### OPMERKING:

- De maximale schuurdiepte is 4,0 mm.

## De voet kantelen om vlakker te schuren (alleen voor PC5001C) (zie afb. 5)

Om een bepaalde ruwheid of profiel van het betonoppervlak beter te kunnen verwijderen, is het handig de voet van het gereedschap te kantelen. Gebruik de inbussleutel om de twee inbusbouten los te draaien waarmee de voet aan beide zijanten is vastgezet. Draai met behulp van de inbussleutel de drie inbusbouten dieper in de voet door ze rechtsom te draaien (zie afb. 6). Gebruik een winkelhaak of liniaal om de voet af te stellen op de gewenste hoek ten opzichte van de diamantschijf. Zet daarna de inbusbouten op de zijanten van de voet weer stevig vast. Stel het midden van de rand van de voet die langs de schijf ligt af op dezelfde hoogte als de schijf (zie afb. 7).

### OPMERKING:

- Na het afstellen van de voet van het gereedschap, draait u de drie inbusbouten in de voet linksom tot de boutkoppen gelijk liggen met de achterkant van de

voet. Draai langzaam omdat anders de afstelling van de voet wordt veranderd.

## De voet afstellen ter compensatie van de schijfslijtage (alleen voor PC5001C)

Na langdurig gebruik slijt de diamantschijf af waardoor een hoogteverschil met de voet ontstaat, en het resultaat van het schuurwerk verslechtert. Controleer het gereedschap na iedere 4 of 5 gebruiksuren.

Als de oppervlakken van de schijf en de voet niet meer uitgelijnd zijn, draait u de twee inbusbouten los waarmee de voet op de zijkant is vastgezet. Draai daarna de drie inbusbouten in de voet rechtsom en stel de voet opnieuw op gelijke hoogte met het oppervlak van de schijf. Draai de inbusbouten waarmee de voet op de zijkant is vastgezet weer stevig vast, en draai daarna de inbusbouten in de voet voorzichtig linksom zodat de inbusbouten tijdens het gebruik niet los gaan zitten.

## De stofafdichting afstellen (zie afb. 8)

Draai de schroef los en stel de hoogte van de borstel in de stofafdichting af. De borstel in de stofafdichting moet op gelijke hoogte als het oppervlak van de diamantschijf staan of daar 0,5 mm boven (wanneer het gereedschap ondersteboven ligt). Als ze niet ongeveer op dezelfde hoogte zijn afgesteld, zal de afzuiging/opname slecht zijn. Draai na het afstellen de schroef weer stevig vast. Om de stofafdichting af te stellen, pakt u deze aan de buitenkant vast en draait u deze rechtsom om hoger in te stellen, en linksom om lager in te stellen.

## ONDERDELEN AANBRENGEN/ VERWIJDEREN

### LET OP:

- Controleer altijd of het gereedschap is uitgeschakeld en de stekker uit het stopcontact is getrokken alvorens enige werk aan het gereedschap uit te voeren.

## De diamantschijf aanbrengen en verwijderen (zie afb. 9)

Om een versleten diamantschijf te vervangen door een nieuwe, drukt u de asvergrendeling in om te voorkomen dat de as meedraait, en draait u vervolgens de borgmoer linksom los met behulp van de bijgeleverde borgmoersleutel.

Verwijder de versleten diamantschijf.

Om een nieuwe aan te brengen, volgt u de bovenstaande verwijderingsprocedure in omgekeerde volgorde.

Bij het aanbrengen van een diamantschijf moet u de borgmoer altijd stevig vastdraaien.

### OPMERKING:

- De gewone diamantschijven die in de winkel verkrijgbaar zijn, hebben geen ventilatiegaten waardoor de stofafzuiging slecht is. Bovendien, als het montagegat niet exact dezelfde diameter heeft, treden trillingen in het gereedschap op waardoor ongelukken kunnen gebeuren. **GEBRUIK ALTIJD EXCENTRISCHE DIAMANTSCHIJVEN VAN MAKITA.**

## De borstel in de stofafdichting vervangen (zie afb. 10)

Om de borstel uit de stofafdichting te verwijderen, pakt u een uiteinde van de borstel vast en trekt u hem langzaam eruit (zie afb. 11).

Om een nieuwe borstel in de stofafdichting aan te brengen, plaatst u de buitenrand van de borstel in de groef van de stofafdichting (zie afb. 12).

Maak vervolgens de groef open. Met geopende groef, steek de binnenrand van de borstel in de groef van de stofafdichting. Herhaal deze handeling om de rest van de borstel in de groef te plaatsen.

## Stofzak (zie afb. 13)

Om de stofzak aan te brengen, schuift u deze over de stofuitwerpmond. Zorg ervoor dat de stofzak zo ver mogelijk over de stofuitwerpmond wordt geschoven zodat deze tijdens gebruik niet ervanaf valt.

Verwijder de stofzak wanneer deze het schuuroppervlak begint te raken. Dit is een teken dat de stofzak vol is. Als u de stofzak niet tijdig leegmaakt, zal de afzuiging/opname verslechteren.

## Een stofzuiger aansluiten (zie afb. 14)

Wanneer u tijdens het schuren schoon wilt werken, sluit u een Makita-stofzuiger aan op uw gereedschap, zoals aangegeven in de afbeelding.

## BEDIENING

### Schuren in de hoeken

#### Voor PC5000C

Vlak schuren in hoeken is mogelijk nadat u eerst het stofafdichtdeksel hebt verwijderd.

#### Alleen voor PC5001C (zie afb. 15)

Alvorens in hoeken vlak te schuren, verwijdert u de inbusbout waarmee de rolhouder is vastgezet aan de voethouder, en haalt u de complete voorroller eraf. Draai vervolgens de inbusbout los, verwijder het stofafdichtdeksel, en stel vervolgens de stofafdichting in de juiste stand af voor uw werkzaamheden (zie afb. 16).

## ONDERHOUD

### LET OP:

- Zorg er altijd voor dat het gereedschap is uitgeschakeld en de stekker uit het stopcontact is getrokken, voordat u een inspectie of onderhoud uitvoert.

### De koolborstels vervangen (zie afb. 17)

Verwijder en controleer de koolborstels regelmatig. Vervang deze wanneer ze tot aan de slijtgrensmarkering zijn afgesleten. Houd de koolborstels schoon en zorg ervoor dat ze vrij kunnen bewegen in de houders. Beide koolborstels dienen tegelijkertijd te worden vervangen. Gebruik alleen identieke koolborstels.

Gebruik een schroevendraaier om de koolborsteldoppen te verwijderen. Haal de versleten koolborstels eruit, plaats de nieuwe erin, en zet de koolborsteldoppen goed vast (zie afb. 18).

Om de VEILIGHEID en BETROUWBAARHEID van het gereedschap te handhaven, dienen alle reparaties,

onderhoud en afstellingen te worden uitgevoerd door een erkend Makita-servicecentrum, en altijd met gebruikmaking van originele Makita-ervangingsonderdelen.

## ACCESSOIRES

### LET OP:

- Deze accessoires of hulpstukken worden aanbevolen voor gebruik met het Makita-gereedschap dat in deze gebruiksaanwijzing wordt beschreven. Het gebruik van andere accessoires of hulpstukken kan gevaar voor persoonlijk letsel opleveren. Gebruik de accessoires of hulpstukken uitsluitend voor de aangegeven gebruiksdoeleinden.

Mocht u meer informatie willen hebben over deze accessoires, dan kunt u contact opnemen met uw plaatselijke Makita-servicecentrum.

- Excentrische diamantschijf (droog type)
- Knienstuk 32

### EU-VERKLARING VAN CONFORMITEIT Modellen PC5000C en PC5001C

ENH101-9

Wij verklaren onder eigen verantwoordelijkheid dat dit product voldoet aan de normen in de volgende documenten:

EN60745, EN55014 en EN61000 in overeenstemming met de richtlijnen van de Raad, 2004/108/EC en 98/37/EC.

CE2008



Tomoyasu Kato  
Directeur

Verantwoordelijke fabrikant:

#### Makita Corporation

3-11-8, Sumiyoshi-cho, Anjo, Aichi, JAPAN

Erkende vertegenwoordiger in Europa:

#### Makita International Europe Ltd.

Michigan Drive, Tongwell, Milton Keynes, Bucks MK15 8JD, ENGELAND

**Descripción y visión general**

- |                                  |                           |                                  |
|----------------------------------|---------------------------|----------------------------------|
| 1. Palanca de bloqueo            | 10. Mismo nivel           | 19. Bloqueo del eje              |
| 2. Interruptor disparador        | 11. Escuadra o regla      | 20. Bolsa colector de polvo      |
| 3. Luz indicadora                | 12. Subir                 | 21. Tapa guardapolvo             |
| 4. Base (para PC5001C solamente) | 13. Bajar                 | 22. Soporte del rodillo completo |
| 5. Llave Allen                   | 14. Guardapolvo           | 23. Perno hexagonal              |
| 6. Rodillo delantero             | 15. Tornillo              | 24. Marca de límite              |
| 7. Perno de cabeza hexagonal     | 16. Contratuerca          | 25. Tapa del portaescobillas     |
| 8. Profundidad de rebaje         | 17. Llave de contratuerca | 26. Destornillador               |
| 9. Base                          | 18. Disco de diamante     |                                  |

**ESPECIFICACIONES**

Modelo	PC5000C	PC5001C
Diámetro del disco	125 mm	
Diámetro de perforación	22,23 mm	
Rosca del husillo	M14	
Velocidad nominal (n)/Velocidad en vacío (n <sub>0</sub> )	10.000 (min <sup>-1</sup> )	
Longitud total	437 mm	479 mm
Peso neto	4,0 kg	5,1 kg
Clase de seguridad	II/II	

- Debido a nuestro programa continuo de investigación y desarrollo, las especificaciones aquí descritas están sujetas a cambios sin previo aviso.
- Nota: Las especificaciones pueden ser diferentes de un país a otro.
- Peso de acuerdo con el procedimiento EPTA 01/2003

**Uso previsto** ENE002-1  
La herramienta está pensada para cepillar superficies de hormigón.

**Alimentación** ENF002-1  
La herramienta debe conectarse solamente a una fuente de alimentación de la misma tensión que la indicada en la placa de características, y sólo puede funcionar con corriente alterna monofásica. El sistema de doble aislamiento de la herramienta cumple con las normas europeas y puede, por lo tanto, usarse también en tomacorrientes sin conductor de tierra.

**NORMAS DE SEGURIDAD ESPECÍFICAS** GEB043-3

No deje que la comodidad o la familiaridad con el producto (a base de utilizarlo repetidamente) sustituya la estricta observancia de las normas de seguridad de la Desbastadora de diamante. Si utiliza esta herramienta de forma no segura o incorrecta, puede sufrir graves daños corporales.

**Advertencias de seguridad comunes para operaciones de rectificado:**

1. Esta herramienta eléctrica está prevista para ser utilizada con discos de diamante cóncavos. Lea todas las advertencias de seguridad, instrucciones, ilustraciones y especificaciones que acompañan a esta herramienta eléctrica. No seguir todas las instrucciones que se indican a continuación podría provocar una descarga eléctrica, incendio o lesiones graves.

2. **No se recomienda utilizar esta herramienta para operaciones tales como amolar con discos abrasivos, lijar, cepillar con alambre, pulir o cortar.** El uso de la herramienta en aplicaciones para las cuales no ha sido diseñada puede generar peligros y ocasionar daños personales.
3. **No utilice accesorios diferentes de aquellos que el fabricante haya diseñado o recomendado especialmente para esta herramienta.** El hecho de que el accesorio pueda montarse en la herramienta no garantiza que sea seguro.
4. **Las revoluciones nominales del accesorio deben ser como mínimo iguales a la velocidad máxima indicada en la herramienta.** Si un accesorio se mueve a una velocidad mayor a la admisible, podría romperse y salir despedido.
5. **El diámetro exterior y el grosor del accesorio deben encontrarse dentro de la capacidad de la herramienta.** Los accesorios de tamaño incorrecto no pueden protegerse ni controlarse correctamente.
6. **Los orificios de los discos, las bridas u otros accesorios deben encajar correctamente con el husillo de la herramienta.** Los accesorios que no se ajustan correctamente a las piezas de montaje de la herramienta giran descentrados, vibran en exceso y pueden hacer perder el control de la herramienta.
7. **No utilice accesorios dañados. Antes de empezar a utilizar los accesorios, tales como discos de diamante cóncavos, compruebe que no estén astillados ni agrietados. Si se cae la herramienta o el accesorio, compruebe si ha sufrido algún daño o monte un accesorio en buen estado. Una vez revisado y montado un accesorio, colóquense**

**usted y las personas circundantes fuera del plano de rotación del accesorio y deje funcionar la herramienta eléctrica en vacío a velocidad máxima durante un minuto.** Por norma general, los accesorios que están dañados se rompen durante este tiempo de prueba.

8. **Utilice equipo de protección personal. Dependiendo del trabajo, utilice una careta, protección para los ojos o gafas de seguridad. Si fuera necesario, utilice una mascarilla antipolvo, protectores auditivos, guantes y un mandil adecuado para protegerse de los pequeños fragmentos que pudieran salir proyectados.** Las gafas de protección deberán ser indicadas para detener los pequeños fragmentos que pudieran salir proyectados al trabajar. La mascarilla antipolvo o respiratoria debe ser apta para filtrar las partículas producidas al trabajar. Una exposición prolongada al ruido puede producir pérdidas auditivas.
9. **Encárguese de que todas las personas se mantengan a suficiente distancia de la zona de trabajo. Toda persona que acceda a la zona de trabajo deberá utilizar equipo de protección personal.** Podría sufrir daños, incluso fuera del área de trabajo inmediata, al salir proyectados fragmentos de la pieza de trabajo o del accesorio.
10. **Sujete la herramienta eléctrica sólo por las superficies de agarre aisladas al realizar una operación en que el accesorio de corte pueda entrar en contacto con cables ocultos o con su propio cable.** Si entra en contacto con un cable con corriente, puede que las piezas metálicas expuestas de la herramienta eléctrica se carguen también de corriente y que el operario reciba una descarga.
11. **Mantenga el cable alejado del accesorio en funcionamiento.** En caso de perder el control, el cable de red podría enredarse o cortarse con el accesorio y arrastrar de esta forma su mano hacia el mismo.
12. **Jamás deposite la herramienta eléctrica hasta que el accesorio se haya detenido por completo.** El accesorio en funcionamiento podría entrar en contacto con la superficie de apoyo y hacerle perder el control sobre la herramienta.
13. **No deje funcionar la herramienta eléctrica mientras la transporta.** El accesorio en funcionamiento podría ocasionarle daños personales al engancharse accidentalmente en su vestimenta.
14. **Limpie periódicamente los orificios de ventilación de la herramienta.** El ventilador del motor aspira polvo hacia el interior de la carcasa y, en caso de acumularse un exceso de polvo metálico, podría provocar una descarga eléctrica.
15. **No utilice la herramienta eléctrica cerca de materiales inflamables.** Las chispas podrían inflamarlos.
16. **No emplee accesorios que requieran ser refrigerados con líquidos.** El uso de agua u otros refrigerantes líquidos puede provocar una descarga o electrocución.

#### **Contragolpes y advertencias al respecto**

El contragolpe es una reacción brusca que se produce al atascarse o engancharse un disco de amolar, un plato lijador, un cepillo de alambre u otro accesorio. Al

atascarse o engancharse el accesorio en funcionamiento, éste es frenado bruscamente y puede hacer perder el control sobre la herramienta eléctrica, impulsándola en la dirección opuesta al sentido de giro que tenía el accesorio en el momento de agarrotarse.

Por ejemplo, si un disco de amolar se atasca o engancha en la pieza de trabajo, puede suceder que el borde del accesorio que entra en el material quede bloqueado, provocando la rotura del accesorio o un contragolpe. Según el sentido de giro del disco en el momento de bloquearse, puede que éste resulte despedido en dirección al operario o en sentido opuesto. En este caso también puede suceder que los discos de amolar se rompan.

El contragolpe es el resultado de un mal uso de la herramienta eléctrica o de condiciones o procedimientos de uso incorrectos y se puede evitar tomando las precauciones que se indican a continuación.

- a) **Sujete con firmeza la herramienta eléctrica y mantenga su cuerpo y brazos en una posición que le permita resistir los contragolpes. Si forma parte del equipo, utilice siempre la empuñadura auxiliar para poder controlar mejor las fuerzas derivadas del contragolpe o los pares de reacción durante la puesta en marcha.** El operario puede controlar los pares de reacción y las fuerzas derivadas del contragolpe si toma las medidas oportunas.
- b) **Jamás aproxime la mano al accesorio en funcionamiento.** En caso de contragolpe el accesorio podría dañarle la mano.
- c) **No se coloque en el área hacia donde se movería la herramienta en caso de contragolpe.** En caso de contragolpe la herramienta saldrá rechazada en sentido opuesto al movimiento del disco.
- d) **Preste especial atención al trabajar en esquinas, bordes afilados, etc. Evite que el accesorio rebote o se atasque.** En las esquinas, bordes afilados, o al rebotar, el accesorio en funcionamiento tiende a atascarse y puede provocar la pérdida de control o un contragolpe.
- e) **No utilice hojas de sierra para maderas ni otros accesorios dentados.** Estos accesorios son propensos al rechazo y pueden hacerle perder el control.

#### **Advertencias de seguridad específicas para operaciones de rectificado:**

- a) **Utilice únicamente los tipos de discos recomendados para su herramienta eléctrica y el protector correcto para el disco en cuestión.** Los discos que no fueron diseñados para esta herramienta no pueden quedar suficientemente protegidos y suponen un peligro.
- b) **Utilice siempre bridas que estén en buen estado y que tengan las dimensiones y la forma correctas para el disco utilizado.** Una brida adecuada soporta correctamente el disco reduciendo así el peligro de rotura.

#### **Advertencias de seguridad adicionales:**

17. **Instale siempre el guardapolvo antes de su uso.**
18. **Tenga cuidado de no dañar el husillo, la brida (especialmente la superficie de instalación) ni la contratuerca. Si se dañan estas piezas, el disco podría romperse.**

19. Asegúrese de que el disco no esté tocando la pieza de trabajo antes de activar el interruptor.
20. Antes de utilizar la herramienta en una pieza de trabajo, déjela en marcha durante unos instantes. Esté atento por si se producen vibraciones u oscilaciones, lo que indicaría que el disco no se ha instalado correctamente o que está mal equilibrado.
21. Tenga cuidado con las chispas que saltan. Sostenga la herramienta de modo que las chispas no salten hacia usted ni hacia otras personas o materiales inflamables.
22. No deje la herramienta encendida. Póngala en marcha solamente cuando la tenga en las manos.
23. No toque el disco de diamante cóncavo después de la tarea, ya que puede estar extremadamente caliente y producir quemaduras en la piel.
24. Asegúrese siempre de apagar y desenchufar la herramienta y de extraer el cartucho de la batería antes de intentar realizar cualquier tipo de operación en la herramienta.
25. Observe las instrucciones del fabricante para montar y utilizar correctamente los discos. Maneje y guarde con cuidado los discos.
26. No utilice bujes de reducción ni adaptadores separados para adaptar discos de orificio grande.
27. Utilice sólo las bridas especificadas para esta herramienta.
28. Tenga en cuenta que el disco continuará girando después de haber apagado la herramienta.
29. Si el lugar de trabajo es muy caluroso y húmedo, o si está muy contaminado con polvo conductor, utilice un disyuntor de cortocircuito (30 mA) para garantizar la seguridad del operario.
30. No utilice la herramienta con ningún material que contenga amianto.
31. No utilice agua ni lubricante para amolado.
32. Asegúrese de que las aberturas de ventilación estén despejadas cuando trabaje en condiciones polvorientas. Si fuera necesario eliminar el polvo, desconecte primero la herramienta de la fuente de alimentación (utilice objetos que no sean metálicos) y procure no estropear las piezas internas.

#### ADVERTENCIA:

El MAL USO o la no observancia de las normas de seguridad expuestas en este manual de instrucciones pueden ocasionar graves daños corporales.

## GUARDE ESTAS INSTRUCCIONES.

## DESCRIPCIÓN DEL FUNCIONAMIENTO

#### PRECAUCIÓN:

- Asegúrese siempre de que la herramienta esté apagada y desenchufada antes de intentar realizar cualquier tipo de ajuste o comprobación en ella.

## Funcionamiento del interruptor (Fig. 1)

#### PRECAUCIÓN:

- Antes de enchufar la herramienta, asegúrese siempre de que el interruptor disparador funcione como es debido y de que vuelva a la posición "OFF" (apagado) al soltarlo.

#### Para herramientas con interruptor de bloqueo

Para poner en marcha la herramienta, simplemente accione el interruptor disparador (A). Suelte el interruptor disparador para detener la herramienta. Para un uso continuo, accione el interruptor disparador (A) y después pulse el botón de bloqueo (B). Para detener la herramienta desde la posición de bloqueo, accione totalmente el interruptor disparador (A) y, a continuación, suéltelo.

#### En herramientas con interruptor de desbloqueo

Para evitar que el disparador del interruptor se accione accidentalmente se proporciona una palanca de bloqueo. Para poner en marcha la herramienta, empuje la palanca de bloqueo (B) y tire del interruptor disparador (A). Suelte el interruptor disparador para detener la herramienta.

#### Para herramientas con interruptor de bloqueo y desbloqueo

Para evitar que el disparador del interruptor se accione accidentalmente se proporciona una palanca de bloqueo. Para poner en marcha la herramienta, empuje la palanca de bloqueo (B) y tire del interruptor disparador (A). Suelte el interruptor disparador para detener la herramienta. Para un uso continuo, empuje la palanca de bloqueo (B), accione el interruptor disparador (A) y después empuje más la palanca de bloqueo (B). Para detener la herramienta desde la posición de bloqueo, accione totalmente el interruptor disparador (A) y, a continuación, suéltelo.

## Función electrónica

### Control de velocidad constante

- Permite obtener un acabado preciso, porque la velocidad de rotación se mantiene a un nivel constante incluso en caso de que haya carga.
- Adicionalmente, cuando la carga de la herramienta sobrepasa los niveles admisibles, se reduce la potencia del motor para protegerlo del sobrecalentamiento. Cuando la carga vuelva a niveles admisibles, la herramienta funcionará con normalidad.

### Característica de inicio lento

- Elimina la sacudida inicial.

#### Luz indicadora (Fig. 2)

La luz indicadora se enciende de color verde al enchufar la herramienta. Si la luz indicadora no se enciende, puede que el cable de la corriente o el controlador estén averiados. Si la luz indicadora está encendida, pero la herramienta no se pone en marcha aunque esté encendida, puede que las escobillas de carbón estén desgastadas o que el controlador, el motor o el interruptor de encendido y apagado estén averiados.

#### Mecanismo contra la puesta en marcha accidental

Aunque la palanca de bloqueo mantenga presionado el interruptor disparador (posición de bloqueo), no se



permite que la herramienta se ponga en marcha aunque la herramienta esté enchufada. En ese momento, la luz indicadora parpadea en color rojo e indica que el mecanismo contra la puesta en marcha accidental está funcionando.

Para cancelar el mecanismo contra la puesta en marcha accidental, accione el interruptor disparador completamente y suéltelo.

### **Cepillado para nivelar (para PC5001C solamente) (Fig. 3)**

Para nivelar una superficie, la base de la desbastadora debe estar alineada con el disco de diamante. El rodillo delantero debe ajustarse (mediante la llave Allen) hacia arriba hasta el nivel necesario para la profundidad de rebaje de material deseada.

Para cambiar la profundidad de material (hormigón) que se debe rebajar, afloje los pernos de cabeza hexagonal del soporte de la base con la llave Allen. Suba o baje el rodillo delantero para ajustar la separación entre el rodillo y el disco de diamante. La diferencia es la cantidad de material que se rebajará. A continuación, fije los pernos de cabeza hexagonal con mucho cuidado. (Fig. 4)

#### **NOTA:**

- El rebaje máximo debería ser inferior a 4,0 mm.

### **Base basculante para lograr un cepillado más suave (para PC5001C solamente) (Fig. 5)**

Para lograr un rebaje suave de una textura o superficie áspera, inclinar la base puede resultar útil. Utilice la llave Allen para aflojar los dos pernos de cabeza hexagonal que fijan la base en cualquiera de los dos lados.

Utilice una llave Allen para bajar los tres pernos de cabeza hexagonal de la base girándolos en la base en el sentido de las agujas del reloj. (Fig. 6)

Utilice una escuadra o una regla para obtener el ángulo de la base deseado en relación con el disco de diamante. A continuación, fije con cuidado los pernos de cabeza hexagonal en cualquier lado de la base. Ajuste el centro de la base cerca del disco de forma que esté en el mismo nivel que el disco. (Fig. 7)

#### **NOTA:**

- Tras el ajuste de la base, gire los tres pernos de cabeza hexagonal de la base en el sentido contrario a las agujas del reloj hasta que las cabezas estén niveladas con la parte posterior de la base. Realice los giros suavemente o el ajuste de la base se modificará.

### **Ajuste de la base para compensar el desgaste del disco (para PC5001C solamente)**

Con un uso prolongado, el disco de diamante se gastará y provocará una holgura con la superficie de cepillado, de forma que se reducirá el rendimiento. Compruebe la herramienta cada 4 ó 5 horas de uso.

Si el disco y las superficies de la base no están alineados, afloje los pernos de cabeza hexagonal que fijan la base. Gire los tres pernos de cabeza hexagonal de la base en el sentido de las agujas del reloj y ajuste la base para que esté nivelada con la superficie del disco. Vuelva a apretar firmemente los pernos de cabeza hexagonal que fijan la

base y, a continuación, gire ligeramente los pernos de cabeza hexagonal en el sentido contrario a las agujas del reloj para que no se suelten durante el uso.

### **Ajuste del guardapolvo (Fig. 8)**

Afloje el tornillo y ajuste el nivel de los cepillos del guardapolvo. Los cepillos del guardapolvo deben estar nivelados con la superficie del disco de diamante o muy ligeramente por encima (con la herramienta invertida) 0,5 mm. La succión/recogida será muy pobre si no están aproximadamente en el mismo nivel. Tras el ajuste, asegúrese de apretar el tornillo firmemente.

Para ajustar el guardapolvo, sujételo por la parte exterior y gírelo en el sentido de las agujas del reloj para subirlo y en el sentido contrario a las agujas del reloj para bajarlo.

## **MONTAJE**

#### **PRECAUCIÓN:**

- Asegúrese siempre de que la herramienta esté apagada y desenchufada antes de intentar realizar cualquier trabajo en ella.

### **Instalación o extracción del disco de diamante (Fig. 9)**

Para sustituir un disco de diamante gastado con un nuevo, pulse el bloqueo del eje para mantenerlo quieto y, a continuación, afloje la contratuerca en el sentido contrario a las agujas del reloj con la llave para la contratuerca proporcionada.

Retire el disco de diamante gastado.

Para instalar un disco nuevo, siga el procedimiento de extracción anterior en orden inverso.

Cuando instale un disco de diamante, asegúrese siempre de apretar la contratuerca firmemente.

#### **NOTA:**

- Los discos de diamante normales del mercado no tienen orificios de escape, por lo que la evacuación del polvo es deficiente. Asimismo, si el orificio de instalación no es del diámetro exacto, la herramienta puede vibrar y se pueden producir accidentes. UTILICE SIEMPRE UN DISCO DE DIAMANTE CÓNCAVO DE MAKITA.

### **Sustitución del cepillo del guardapolvo (Fig. 10)**

Para extraer el cepillo del guardapolvo del guardapolvo, sujete un extremo del cepillo del guardapolvo y tire de él hacia afuera lentamente. (Fig. 11)

Para instalar el cepillo del guardapolvo, coloque el borde exterior del cepillo del guardapolvo en la ranura del guardapolvo. (Fig. 12)

A continuación, expanda la ranura. Con la ranura expandida, inserte el borde interior del cepillo del guardapolvo. Repita esta acción e inserte toda la parte restante.

### **Bolsa colectora de polvo (Fig. 13)**

Para instalar la bolsa colectora de polvo, deslicela en el puerto colector de polvo. Asegúrese siempre de deslizarla en el puerto recolector de polvo completamente hasta que se detenga, de forma que no se desprenda durante el uso.

Extraiga la bolsa colectoras de polvo cuando empiece a tocar la superficie de corte. Es un signo de que está llena. Si no vacía la bolsa, la succión/recogida será deficiente.

## Conexión de una aspiradora (Fig. 14)

Si desea realizar una operación de cepillado limpia, conecte una aspiradora Makita a la herramienta.

## MANEJO

### Cepillado en esquinas

#### Para PC5000C

El cepillado a ras de esquinas se puede realizar si se quita la tapa del guardapolvo.

#### Para PC5001C solamente (Fig. 15)

Antes de realizar el cepillado a ras de las esquinas, retire el perno hexagonal que fija el soporte del rodillo y el soporte de la base y, a continuación, extraiga todo el soporte del rodillo.

A continuación, afloje el perno de cabeza hexagonal y retire la tapa del guardapolvo y ajuste el guardapolvo en una posición adecuada para el trabajo. (Fig. 16)

## MANTENIMIENTO

### PRECAUCIÓN:

- Asegúrese siempre de que la herramienta esté apagada y desenchufada antes de intentar realizar cualquier trabajo de inspección o mantenimiento en ella.

### Reemplazo de las escobillas de carbón (Fig. 17)

Extraiga y compruebe las escobillas de carbón regularmente. Cámbielas cuando el desgaste alcance la marca de límite. Mantenga las escobillas de carbón limpias y de forma que entren libremente en los portaescobillas. Ambas escobillas de carbón deberán ser sustituidas al mismo tiempo. Utilice únicamente escobillas de carbón idénticas.

Utilice un destornillador para extraer las tapas de los portaescobillas. Saque las escobillas de carbón desgastadas, introduzca las nuevas y cierre las tapas de los portaescobillas. (Fig. 18)

Para conservar la SEGURIDAD y la FIABILIDAD del producto, los trabajos de reparación y otros trabajos de mantenimiento y ajuste deberán ser realizados en centros de servicio autorizados de Makita, utilizando siempre repuestos Makita.

## ACCESORIOS

### PRECAUCIÓN:

- Se recomienda el uso de estos accesorios o complementos con la herramienta Makita especificada en este manual. El uso de otros accesorios o complementos puede conllevar el riesgo de ocasionar daños corporales. Utilice los accesorios o complementos solamente para su fin establecido.

Si necesita cualquier ayuda para obtener más información relativa a estos accesorios, pregunte al centro de servicio Makita local.

- Disco de diamante cóncavo (tipo seco)
- Articulación de codo 32

## DECLARACIÓN DE CONFORMIDAD DE LA CE

ENH101-9

### Modelo; PC5000C, PC5001C

Declaramos bajo nuestra exclusiva responsabilidad que este producto cumple con los siguientes estándares de documentos estandarizados; EN60745, EN55014, EN61000 de acuerdo con las directivas del Consejo, 2004/108/CE, 98/37/CE.

CE2008



Tomoyasu Kato  
Director

Fabricante responsable:

### Makita Corporation

3-11-8, Sumiyoshi-cho, Anjo, Aichi, JAPÓN

Representante autorizado en Europa:

### Makita International Europe Ltd.

Michigan Drive, Tongwell, Milton Keynes, Bucks MK15 8JD, REINO UNIDO

Descrição geral

- |  |                                |                                  |
|--|--------------------------------|----------------------------------|
| 1. Alavanca de bloqueio                    | 9. Base                        | 18. Roda diamantada              |
| 2. Gatilho                                 | 10. Mesmo nível                | 19. Bloqueio do veio             |
| 3. Luz indicadora                          | 11. Esquadro ou régua          | 20. Saco de pó                   |
| 4. Base (apenas para PC5001C)              | 12. Levantar                   | 21. Tampa da protecção para o pó |
| 5. Chave sextavada                         | 13. Baixar                     | 22. O suporte do rolo inteiro    |
| 6. Rolo dianteiro                          | 14. Protecção para o pó        | 23. Parafuso sextavado           |
| 7. Parafuso de cabeça cilíndrica sextavada | 15. Parafuso                   | 24. Marca limite                 |
| 8. Quantidade de material removido         | 16. Porca de bloqueio          | 25. Tampa do porta-escovas       |
|  | 17. Chave da porca de bloqueio | 26. Chave de parafusos           |

**ESEPECIFICAÇÕES**

Modelo	PC5000C	PC5001C
Diâmetro da roda	125 mm	
Diâmetro do orifício	22,23 mm	
Ranhura do fuso	M14	
Velocidade nominal (n)/ Velocidade sem carga (n <sub>0</sub> )	10.000 (min <sup>-1</sup> )	
Comprimento total	437 mm	479 mm
Peso líquido	4,0 kg	5,1 kg
Classe de segurança	II/II	

- Devido à pesquisa e desenvolvimento constantes, estas especificações estão sujeitas a alteração sem aviso prévio.
- Nota: estas especificações podem diferir de país para país.
- Peso de acordo com o procedimento EPTA de 01/2003

**Utilização prevista** ENE002-1  
A ferramenta destina-se a aplainar superfícies de cimento.

**Fonte de alimentação** ENF002-1  
A ferramenta apenas deve ser ligada a uma fonte de alimentação da mesma tensão que a indicada na chapa de especificações, e apenas pode funcionar com uma alimentação CA monofásica. Estão blindadas duplamente, de acordo com a Norma Europeia e podem, assim, ser igualmente ligadas a tomadas sem fio terra.

**REGRAS DE SEGURANÇA ESPECÍFICAS** GEB043-3

**NÃO** deixe que o progressivo à vontade com o produto (resultante de uma utilização frequente) o faça esquecer o estrito cumprimento das regras de segurança de utilização da plaina para cimento. Se utilizar a ferramenta incorretamente ou não respeitar as regras de segurança, poderá ferir-se gravemente.

**Avisos de segurança para operações que envolvem afiar:**

1. Esta ferramenta eléctrica destina-se a funcionar como afiadora com rodas diamantadas de desvio. Leia todos os avisos, instruções, ilustrações e especificações de segurança fornecidos juntamente com a ferramenta. Caso não siga todas as instruções indicadas em baixo, poderão ocorrer choques eléctricos, incêndios e/ou ferimentos graves.
2. Não é recomendada a utilização desta ferramenta eléctrica para determinadas operações, como, por exemplo, lixar moer, escovar com arame, polir ou

cutar, nem com rodas abrasivas. Operações para as quais a ferramenta não foi concebida podem criar perigos e causar ferimentos pessoais.

3. **Não utilize acessórios que não os especificamente concebidos e recomendados pelo fabricante para a ferramenta.** Mesmo que o acessório encaixe na ferramenta, isso não garante uma operação segura.
4. **A velocidade nominal do acessório deve ser no mínimo igual à velocidade máxima marcada na ferramenta.** Os acessórios a funcionar mais rapidamente do que a velocidade nominal podem quebrar e sair projectados.
5. **O diâmetro exterior e a espessura do acessório deve estar dentro da capacidade nominal da ferramenta.** Os acessórios com tamanhos incorrectos não podem ser guardados ou controlados adequadamente.
6. **O tamanho do alojamento das rodas, das flanges ou qualquer outro acessório deve encaixar adequadamente no veio da ferramenta.** Os acessórios com orifícios de alojamento que não correspondem ao hardware de instalação da ferramenta perderão o balanço, vibrarão excessivamente e podem causar perda de controlo.
7. **Não utilize um acessório danificado. Inspeccione o acessório antes de cada utilização, por exemplo, verifique se as rodas diamantadas de desvio estão lascadas ou rachadas. Se a ferramenta ou acessório cair, inspeccione para a existência de danos ou instale um acessório não danificado.** Depois de inspeccionar e instalar um acessório, afaste-se e afaste outras pessoas na proximidade

**do plano do acessório rotativo e ligue a ferramenta eléctrica na velocidade máxima sem carga durante um minuto.** Os acessórios danificados normalmente partem-se durante este período de teste.

8. **Use equipamento pessoal de protecção. Consoante a aplicação, use protecção para a cara ou óculos de segurança. Use máscara de pó, protectores auditivos, luvas e avental adequados, capazes de parar pequenos fragmentos abrasivos ou da peça de trabalho.** A protecção dos olhos deve ser capaz de parar detritos projectados gerados por várias utilizações. A máscara de pó ou respirador deve conseguir filtrar partículas geradas pela operação que estiver a efectuar. Uma exposição prolongada a ruído de alta intensidade pode causar perda de audição.
9. **Mantenha as pessoas presentes a uma distância segura da área de trabalho. Qualquer pessoa que entre na área de trabalho deve usar equipamento pessoal de protecção.** Os fragmentos da peça de trabalho ou de um acessório partido podem ser projectados e causar ferimentos para além da área imediata da operação.
10. **Quando executar operações em que acessórios de corte possam entrar em contacto com fios eléctricos ocultos ou com próprio cabo eléctrico da ferramenta, tenha o cuidado de tocar apenas nas superfícies isoladas desses acessórios.** O acessório de corte em contacto com um fio eléctrico ligado à corrente pode electrificar as peças de metal da ferramenta e causar um choque.
11. **Posicione o cabo eléctrico longe do acessório rotativo.** Se perder o controlo, o cabo eléctrico pode ser cortado ou movimentado bruscamente e a sua mão ou braço podem ser puxados para o acessório rotativo.
12. **Nunca pouse a ferramenta antes do acessório parar por completo.** O acessório rotativo pode apanhar a superfície e fazê-lo perder o controlo da ferramenta.
13. **Não ligue a ferramenta eléctrica enquanto a transporta perto do corpo.** O contacto accidental com o acessório rotativo pode arrancar a sua roupa, puxando o acessório para o corpo.
14. **Limpe regularmente as aberturas de ventilação da ferramenta.** A ventoinha do motor atrairá o pó para dentro da caixa e acumulação excessiva de metal em pó pode causar perigos eléctricos.
15. **Não utilize a ferramenta perto de materiais inflamáveis.** As faíscas podem acender esses materiais.
16. **Não utilize acessórios que queiram arrefecedores líquidos.** Usar água ou outro líquido arrefecedor poderá resultar em electrocussão ou choque.

#### **Recuos e Avisos Relacionados**

Um recuo é uma reacção repentina a uma roda rotativa, disco de apoio, escova ou outro qualquer acessório encravado ou movimentado bruscamente. Pressionar ou mover bruscamente causa um rápido bloqueio do acessório rotativo, o que por sua vez faz com que a ferramenta descontrolada seja forçada na direcção oposta à da rotação do acessório ao ponto de empeno.

Por exemplo, se uma roda abrasiva for movimentada bruscamente ou encravada pela peça de trabalho, a ponta da roda que está entrar no ponto de encravamento pode perfurar a superfície do material, fazendo com a roda salte fora ou ressalte. A roda pode saltar em direcção ao operador ou na direcção oposta, consoante o movimento no ponto de perfuração. As rodas abrasivas podem também quebrar nestas condições.

O recuo é o resultado de uma má utilização da ferramenta e/ou procedimentos de funcionamento incorrectos e pode ser evitado tomando as devidas precauções, tal como indicado em baixo.

- a) **Segure firmemente na ferramenta e posicione o corpo e o braço de forma a resistir às forças do recuo. Se fornecida, utilize sempre uma pega auxiliar para um controlo máximo sobre o recuo ou reacção de força durante o início.** Se tomar medidas de precaução adequadas, o operador pode controlar as reacções de força ou de recuo.
- b) **Nunca posicione a mão perto do acessório rotativo.** O acessório pode recuar sobre a sua mão.
- c) **Não posicione o corpo na área para onde a ferramenta se moverá se ocorrer um recuo.** O recuo projectará a ferramenta na direcção oposta ao movimento da roda, no ponto de movimento brusco.
- d) **Tenha especial atenção ao trabalhar cantos, extremidades afiadas, etc. Evite fazer ressaltar e movimentar bruscamente o acessório.** Os cantos, extremidades afiadas ou ressaltos têm uma tendência de movimentar bruscamente o acessório rotativo e causam perda de controlo ou recuo.
- e) **Não colocar uma serra de cortar madeira ou uma serra dentada.** Tais lâminas criam recuos frequentes e perda de controlo.

**Avisos de segurança específicos para operações que envolvem afiar:**

- a) **Use apenas tipos de rodas que são recomendados para a ferramenta e a protecção específica concebida para a roda seleccionada.** Rodas para as quais a ferramenta não foi concebida não podem ser protegidas e não são seguras.
- b) **Use sempre flanges de rodas não danificadas de tamanho e forma certos para a roda escolhida.** Flanges de rodas adequadas apoiam a roda, reduzindo assim a possibilidade da roda partir.

**Avisos de segurança adicionais:**

17. **Instale sempre a protecção para o pó antes do funcionamento.**
18. **Não danifique o veio, a flange (especialmente a superfície de instalação) ou a porca de bloqueio.** Os danos nestas peças podem resultar em quebra das rodas.
19. **Certifique-se de que a roda não está em contacto com a peça de trabalho antes de ligar o interruptor.**
20. **Antes de utilizar a ferramenta numa peça de trabalho, deixe-a a trabalhar durante algum tempo. Procure a existência de vibrações ou oscilações que possam indicar uma má fixação ou uma roda mal equilibrada.**
21. **Tenha cuidado com as faíscas. Segure a ferramenta de forma a que as faíscas sejam projectadas para longe de si e de outras pessoas ou materiais inflamáveis.**

22. Não abandone a ferramenta a funcionar. Ponha-a a funcionar apenas quando estiver a segurá-la.
23. Não toque na roda diamantada de desvio logo após a operação uma vez que pode estar demasiado quente e provocar queimaduras.
24. Certifique-se sempre de que a ferramenta está desligada ou a bateria removida, antes de efectuar qualquer operação com acessórios.
25. Cumpra as instruções do fabricante sobre a instalação e utilização correctas das rodas. Manuseie e guarde as rodas com cuidado.
26. Não utilize casquilhos de redução separados ou adaptadores para adaptar rodas com orifícios de grandes dimensões.
27. Utilize apenas as flanges especificadas para esta ferramenta.
28. Tome atenção uma vez que a roda continua a rodar após a ferramenta ser desligada.
29. Se o local de trabalho for extremamente quente e húmido ou muito poluído pelo pó, utilize um disjuntor (30 mA) para garantir a segurança do operador.
30. Não utilize a ferramenta ou quaisquer materiais que contenham amianto.
31. Não utilize água ou lubrificante para afiar.
32. Certifique-se de que as aberturas de ventilação são mantidas limpas quando trabalhar em condições de muito pó. Se for necessário limpar primeiro o pó, desligue primeiro a ferramenta da fonte de alimentação (utilize objectos não metálicos) e evite danificar as peças internas.

#### AVISO:

A UTILIZAÇÃO INCORRECTA ou o não cumprimento das regras de segurança fornecidas neste manual de instruções podem provocar ferimentos graves.

## GUARDE ESTAS INSTRUÇÕES.

## DESCRIÇÃO DO FUNCIONAMENTO

#### PRECAUÇÃO:

- Certifique-se sempre de que a ferramenta está desligada no interruptor e da tomada antes de proceder a ajustes ou testes à mesma.

#### Ação do interruptor (Fig. 1)

#### PRECAUÇÃO:

- Antes de inserir a ficha da ferramenta na tomada, verifique se o gatilho está a funcionar correctamente e se volta à posição "OFF" quando o solta.

#### Para ferramentas com o interruptor de bloqueio

Para colocar a ferramenta em funcionamento, prima o gatilho (A). Para parar a ferramenta, solte o gatilho. Para um funcionamento contínuo, puxe o gatilho (A) e pressione a alavanca de bloqueio (B). Para parar a ferramenta da posição de bloqueada, puxe totalmente o gatilho (A) e solte-o.

#### Para ferramentas com o interruptor de desbloqueio

Para evitar que o gatilho seja acidentalmente puxado, é fornecida uma alavanca de bloqueio. Para iniciar a

ferramenta, pressione a alavanca de bloqueio (B) e puxe o gatilho (A). Para parar a ferramenta, solte o gatilho.

#### Para ferramentas com o interruptor de bloqueio e desbloqueio

Para evitar que o gatilho seja acidentalmente puxado, é fornecida uma alavanca de bloqueio. Para iniciar a ferramenta, pressione a alavanca de bloqueio (B) e puxe o gatilho (A). Para parar a ferramenta, solte o gatilho. Para um funcionamento contínuo, pressione a alavanca de bloqueio (B), puxe o gatilho (A) e, depois, pressione ainda mais a alavanca de bloqueio (B). Para parar a ferramenta da posição de bloqueada, puxe totalmente o gatilho (A) e solte-o.

## Função electrónica

### Controlo de velocidade constante

- É possível obter um acabamento fino, uma vez que a velocidade de rotação é mantida constante, mesmo em condições de carga.
- Além disso, quando a carga da ferramenta exceder os níveis permitidos, a alimentação para o motor é reduzida para proteger o motor contra o sobreaquecimento. Assim que a carga retomar os níveis permitidos, a ferramenta funcionará de modo normal.

### Funcionalidade de arranque suave

- Arranque suave devido à eliminação do choque de arranque.

#### Luz indicadora (Fig. 2)

A luz indicadora acende-se a verde quando a ferramenta é ligada à tomada. Se a luz indicadora não se acender, o cabo de alimentação ou o controlador podem estar avariados. Se a luz indicadora se acender mas a ferramenta não se iniciar, mesmo que a ferramenta seja ligada, as escovas de carvão poderão estar gastas ou o controlador, o motor ou o interruptor podem estar avariados.

#### Protecção contra arranque acidental

Mesmo com a alavanca de bloqueio a manter o gatilho pressionado (posição de bloqueado), não é permitido à ferramenta arrancar quando a ficha é ligada à tomada. Nesta altura, a luz indicadora pisca a vermelho, indicando que está activada a função de dispositivo protegido contra arranque acidental.

Para cancelar a protecção contra arranque acidental, puxe totalmente o gatilho e solte-o.

### Plainagem de nivelamento (apenas para PC501C) (Fig. 3)

Para nivelar uma superfície, a base da plaina deve estar alinhada com a roda diamantada. O rolo dianteiro deve ser ajustado (utilize a chave sextavada) para cima para o nível necessário para a quantidade de material removido. Para alterar a quantidade de material (cimento) removido, desaperte os parafusos de cabeça cilíndrica sextavados no suporte da base com a chave sextavada. Levante ou baixe o rolo dianteiro para ajustar a folga entre o rolo e a roda diamantada. A diferença é a quantidade de material removido. De seguida, fixe os parafusos de cabeça cilíndrica sextavados muito cuidadosamente. (Fig. 4)

**NOTA:**

- A remoção máxima de material deve ser inferior a 4,0 mm.

**Inclinar a base para uma plainagem mais suave (apenas para PC5001C) (Fig. 5)**

Para uma remoção suave da rugosidade ou textura de determinada superfície, inclinar a base é útil. Utilize a chave sextavada para desapertar os dois parafusos de cabeça cilíndrica sextavados que fixam a base em cada lado.

Utilize uma chave sextavada para baixar os três parafusos de cabeça cilíndrica sextavados na base rodando-os na base no sentido dos ponteiros do relógio. (Fig. 6)

Utilize um esquadro ou régua para obter o ângulo de base pretendido em relação à roda diamantada. De seguida, fixe cuidadosamente os parafusos de cabeça cilíndrica sextavados em ambos os lados da base. Ajuste o centro da base perto da roda de modo a que esteja ao mesmo nível que a roda. (Fig. 7)

**NOTA:**

- Após o ajuste da base, rode os três parafusos de cabeça cilíndrica sextavados na base no sentido contrário aos ponteiros do relógio até as cabeças ficarem encostadas à parte traseira da base. Rode gentilmente, ou o ajuste da base ficará errado.

**Ajuste da base para compensar o desgaste da roda (apenas para PC5001C)**

Com uma utilização longa, a roda diamantada irá ficar desgastada e criar uma folga com a superfície de plainagem reduzindo o nível de desempenho. Verifique a ferramenta a cada 4 ou 5 horas de utilização.

Se a superfície da roda e da base não estiverem alinhadas, desaperte os dois parafusos de cabeça cilíndrica sextavados que fixam a base. Rode os três parafusos de cabeça cilíndrica sextavados na base no sentido dos ponteiros do relógio e ajuste a base de modo a estar ao nível da superfície da roda. Aperte firmemente os parafusos de cabeça cilíndrica sextavados que fixam a base e rode ligeiramente os parafusos de cabeça cilíndrica sextavados no sentido contrário aos ponteiros do relógio, de modo a que os parafusos de cabeça cilíndrica sextavados não fiquem soltos durante o funcionamento.

**Ajuste da protecção para o pó (Fig. 8)**

Desaperte o parafuso e ajuste o nível da escova da protecção para o pó. A escova da protecção para o pó deve estar encostada à superfície da roda diamantada ou ligeiramente acima (quando a ferramenta está invertida) 0,5 mm. A aspiração/absorção será fraca se não estiverem aproximadamente ao mesmo nível. Após o ajuste, certifique-se de que aperta firmemente o parafuso. Para ajustar a protecção para o pó, agarre-a por fora; rode no sentido dos ponteiros do relógio para levantar, sentido contrário aos ponteiros do relógio para baixar.

**MONTAGEM****PRECAUÇÃO:**

- Certifique-se sempre de que a ferramenta está desligada no interruptor e da tomada antes de efectuar qualquer trabalho na mesma.

**Instalar ou retirar a roda diamantada (Fig. 9)**

Para substituir uma roda diamantada gasta por uma nova, pressione o bloqueio do veio para manter o veio estável, de seguida, desaperte a porca de bloqueio no sentido dos ponteiros do relógio com a chave da porca de bloqueio fornecida.

Retire a roda diamantada desgastada.

Para instalar uma roda nova, siga o procedimento de remoção acima de forma inversa.

Quando instalar uma roda diamantada, certifique-se sempre de que aperta a porca de bloqueio com firmeza.

**NOTA:**

- As rodas diamantadas normais no mercado não têm orifícios de descarga, por isso, a evacuação de pó é fraca. Além disso, se o orifício de instalação não tiver o diâmetro exacto, a vibração da ferramenta ocorre e pode resultar em acidentes. UTILIZE SEMPRE RODAS DIAMANTADAS DE DESVIO DA MAKITA.

**Substituir a escova da protecção para o pó (Fig. 10)**

Para retirar a escova da protecção para o pó da protecção para o pó, agarre uma extremidade da escova da protecção para o pó e retire-a lentamente. (Fig. 11)

Para instalar uma escova da protecção para o pó, coloque a extremidade exterior da escova da protecção para o pó na ranhura da protecção para o pó. (Fig. 12) De seguida, alargue a ranhura. Com o alargamento da ranhura, introduza a extremidade interior da escova da protecção para o pó. Repita esta acção e introduza a peça restante.

**Saco de pó (Fig. 13)**

Para instalar o saco de pó, encaixe na porta de pó.

Certifique-se sempre de que encaixa ao máximo na porta de pó até parar, de modo a não sair durante o funcionamento.

Retire o saco de pó quando começa a entrar em contacto com a superfície de corte. Isto é um sinal de que está cheio. Se não esvaziar o saco irá causar uma aspiração/absorção fraca.

**Ligar a um aspirador (Fig. 14)**

Quando pretender efectuar uma operação de plainagem limpa, ligue um aspirador Makita à sua ferramenta, como mostrado na figura.

**FUNCCIONAMENTO****Plainagem em cantos****Para PC5000C**

A plainagem de cantos é possível após retirar primeiro a tampa da protecção para o pó.

### **Apenas para PC5001C (Fig. 15)**

Antes de efectuar a plainagem de cantos, retire o parafuso sextavado que fixa o suporte do rolo e da base e, de seguida, retire o suporte do rolo inteiro.

De seguida, desaperte o parafuso de cabeça cilíndrica sextavado e retire a tampa da protecção para o pó e depois ajuste a protecção para o pó numa posição adequada de acordo com o seu trabalho. (Fig. 16)

## **MANUTENÇÃO**

### **PRECAUÇÃO:**

- Certifique-se sempre de que a ferramenta está desligada no interruptor e da tomada antes de inspeccionar ou fazer a manutenção da ferramenta.

### **Substituir as escovas de carvão (Fig. 17)**

Remova e verifique regularmente as escovas de carvão. Substitua-as quando o desgaste atingir a marca limite. Mantenha-as limpas para poderem deslizar no porta-escovas. Substitua as duas ao mesmo tempo. Utilize unicamente escovas de carvão idênticas.

Utilize uma chave de parafusos para remover as tampas do porta-escovas. Retire as escovas usadas, coloque umas novas e fixe as tampas do porta-escovas. (Fig. 18)

Para manter os níveis de SEGURANÇA e FIABILIDADE definidos para este produto, as reparações e os procedimentos de manutenção ou ajustes devem ser executados por centros de assistência Makita autorizados, utilizando sempre peças de substituição Makita.

## **ACESSÓRIOS**

### **PRECAUÇÃO:**

- Os seguintes acessórios ou extensões são os recomendados para utilizar com a ferramenta Makita especificada neste manual. A utilização de outros acessórios ou extensões podem provocar ferimentos. Utilize cada acessório ou extensão apenas para o fim indicado.

Se precisar de informações adicionais relativas aos acessórios, contacte o centro local de assistência Makita.

- Roda diamantada de desvio (Tipo seco)
- Junta de cotovelo 32

## **EC-DECLARAÇÃO DE CONFORMIDADE**

ENH101-9

### **Modelo; PC5000C, PC5001C**

Declaramos, sob a nossa única responsabilidade, que este produto está em conformidade com as seguintes normas de documentos normalizados; EN60745, EN55014, EN61000 em conformidade com as Directivas do Conselho, 2004/108/EC, 98/37/EC.

**CE2008**



Tomoyasu Kato  
Administrador

Fabricante responsável:

### **Makita Corporation**

3-11-8, Sumiyoshi-cho, Anjo, Aichi, JAPÃO

Representante autorizado na Europa:

### **Makita International Europe Ltd.**

Michigan Drive, Tongwell, Milton Keynes, Bucks MK15 8JD, INGLATERRA

**Forklaring til generel oversigt**

1. Låsehåndtag	10. Samme niveau	19. Skaftlås
2. Afbryder	11. Vinkelmåler eller lineal	20. Støvpose
3. Indikatorlampe	12. Hæv	21. Overstykke til støvdæksel
4. Basis (kun til PC5001C)	13. Sænk	22. Hele rulleholderen
5. Unbrakonøgle	14. Støvdæksel	23. Sekskantskrue
6. Frontrulle	15. Skrue	24. Slidgrænse
7. Sekskantsbolt	16. Sikringsmøtrik	25. Kulholderdæksel
8. Materiale der skal fjernes	17. Skrueøgle til sikringsmøtrik	26. Skruetrækker
9. Basis	18. Diamantskive	

**SPECIFIKATIONER**

Model	PC5000C	PC5001C
Skivediameter	125 mm	
Huldiameter	22,23 mm	
Spindeltråd	M14	
Nominal hastighed (n)/hastigheden uden belastning (n <sub>0</sub> )	10.000 (min <sup>-1</sup> )	
Længde i alt	437 mm	479 mm
Nettovægt	4,0 kg	5,1 kg
Sikkerhedsklasse	II/II	

- På grund af vores løbende forsknings- og udviklingsprogram kan specifikationerne heri ændres uden forudgående varsel.
- Bemærk: Specifikationerne kan variere fra land til land.
- Vægt i henhold til EPTA-Procedure 01/2003

**Tilsigtet anvendelse** ENE002-1  
Værktøjet er beregnet til betonafhøvling.

**Strømforsyning** ENF002-1  
Værktøjet bør kun slutes til en strømforsyning med den spænding, der er angivet på mærkepladen, og det kan kun benyttes med enkeltfasad vekselstrøm. Det er dobbelt isoleret i overensstemmelse med europæisk standard og kan derfor også slutes til stikkontakter uden jordforbindelse.

**SPECIFIKKE SIKKERHEDSREGLER** GEB043-3

**LAD IKKE tryghed eller kendskab til produktet (på grund af gentagen brug) betyde, at du ikke strengt overholder sikkerhedsreglerne for betonehøvlen. Hvis værktøjet anvendes på usikker eller forkert vis, kan du komme alvorligt til skade.**

**Sikkerhedsadvarsler for afslibning:**

1. Denne maskine er beregnet til anvendelse som en sliber med diamantkopsten. Læs alle sikkerhedsadvarsler, instruktioner, illustrationer og specifikationer, der følger med maskinen. Hvis du ikke følger alle instruktionerne nedenfor, kan det medføre elektrisk stød, brand og/eller alvorlig personskade.
2. Det anbefales ikke at benytte maskinen til formål som f.eks. afslibning med slibeskiver, sandslibning, trådbørstning, polering eller vinkelslibning. Anvendelser, som maskinen ikke er

beregnet til, kan udgøre en risiko og medføre personskade.

3. **Undlad at benytte tilbehør, som ikke er specielt udviklet og anbefalet af producenten af værktøjet.** Selvom tilbehøret kan monteres på maskinen, er anvendelsen ikke nødvendigvis sikker.
4. **Tilbehørets nominelle hastighed skal være mindst lig med den maksimale hastighed, der er angivet på maskinen.** Tilbehør, der kører hurtigere end dets nominelle hastighed, kan gå i stykker og blive slynget bort.
5. **Tilbehørets udvendige diameter og tykkelse skal overholde maskinens kapacitet.** Tilbehør med forkert størrelse kan ikke fastgøres eller kontrolleres korrekt.
6. **Akselstørrelsen på skiver, flanger og andet tilbehør skal passe til spindlen på maskinen.** Tilbehør med akselhuller, der ikke passer til monteringsudstyret på maskinen, vil komme ud af balance, vibrere voldsomt og kan medføre, at du mister kontrollen.
7. **Undlad brug af beskadiget tilbehør. Kontroller tilbehør som f.eks. diamantkopsten for flænger og revner, hver gang det skal benyttes. Hvis du taber maskinen eller tilbehøret, skal du se efter for beskadigelser eller montere ubeskadiget tilbehør. Efter kontrol og montering af tilbehør skal du placere dig selv og tilskuere væk fra tilbehørets drejningsplan og lade maskinen køre ved maksimal hastighed uden belastning i et minut. Beskadiget tilbehør vil normalt gå i stykker inden for denne testperiode.**



8. **Bær personligt sikkerhedsudstyr. Afhængigt af anvendelsen skal du bære ansigtsskærm, beskyttelsesbriller eller sikkerhedsbriller. Bær om nødvendigt støvmaske, høreværn, handsker og arbejdsforklæde, der kan stoppe små slibningsstykker eller stumper af arbejdsemnet.** Øjenbeskyttelsen skal kunne stoppe flyvende stumper, der frembringes ved forskellige betjening. Støvmasken eller åndedrætsbeskyttelsen skal kunne filtrere partikler, der frembringes ved anvendelsen. Længerevarende udsættelse for kraftig støj kan medføre høreskader.
9. **Hold andre tilstedeværende på sikker afstand af arbejdsområdet. Alle, der kommer ind i arbejdsområdet, skal bære personligt sikkerhedsudstyr.** Dele af arbejdsemnet eller ødelagt tilbehør kan flyve væk og medføre personskade uden for det umiddelbare anvendelsesområde.
10. **Hold kun maskinen i de isolerede gribeplader, når du udfører arbejde, hvor skæretilbehøret kan komme i kontakt med skjulte ledninger eller værktøjets egen ledning.** Hvis det slibende tilbehør kommer i kontakt med en strømførende ledning, kan udsatte metaldele på maskinen blive strømførende, hvorved operatøren kan få elektrisk stød.
11. **Placer ledningen på afstand af det roterende tilbehør.** Hvis du mister kontrollen, kan ledningen blive skåret over eller beskadiget, og din hånd eller arm kan blive trukket ind i det roterende tilbehør.
12. **Læg aldrig maskinen fra dig, før tilbehøret er stoppet helt.** Det roterende tilbehør kan gribe fat i overfladen og trække i maskinen, så du mister kontrollen.
13. **Lad ikke maskinen køre, mens du bærer den ved siden.** Hvis dit tøj kommer i kontakt med det roterende tilbehør, kan det gribe fat i tøjet og trække tilbehøret ind imod kroppen på dig.
14. **Rengør regelmæssigt maskinens ventilationsåbninger.** Motorventilatoren trækker støvet ind i kabinettet, og koncentration af forstøvet metal kan medføre elektriske risici.
15. **Undlad at betjene maskinen i nærheden af brændbare materialer.** Gnister kan antænde disse materialer.
16. **Undlad at benytte tilbehør, der kræver flydende kølemidler.** Brug af vand eller andre flydende kølemidler kan medføre elektrisk stød eller chok.

#### Tilbageslag og relaterede advarsler

Tilbageslag er en pludselig reaktion på, at en roterende skive, bagpolstring, børste eller andet tilbehør sidder fast eller kommer i klemme. Hvis tilbehøret sidder fast eller kommer i klemme, går det roterende tilbehør pludselig i stå, hvorved den ikke-kontrollerede maskine tvinges i den modsatte retning af tilbehørets rotationsretning på det sted, hvor det sidder fast.

Hvis en slibeskive f.eks. kommer i klemme eller sidder fast på arbejdsemnet, kan den kant på skiven, der sidder ind i fastklemningspunktet, skære sig ind i emnets overflade, så skiven klatter ud eller slås ud. Skiven kan enten springe mod eller bort fra operatøren, afhængigt af skivens bevægelse på det sted, hvor den sidder fast. Slibeskiver kan også gå i stykker under disse forhold.

Tilbageslag skyldes forkert brug af maskinen og/eller forkerte betjeningsprocedurer eller forhold og kan undgås ved at træffe de nødvendige forsigtighedsregler som beskrevet nedenfor.

- a) **Hold godt fast i maskinen, og placer kroppen og armen, så du kan modstå tilbageslag.** Benyt altid det ekstra håndtag, hvis det er tilgængeligt, for at opnå størst mulig kontrol med tilbageslag eller drejningsreaktion ved start. Operatøren kan kontrollere drejningsreaktioner eller tilbageslag, hvis der træffes de rette forholdsregler.
- b) **Placer aldrig hånden i nærheden af roterende tilbehør.** Tilbehøret kan blive slået tilbage hen over hånden.
- c) **Placer ikke dig selv i det område, hvor maskinen vil bevæge sig, hvis der opstår tilbageslag.** Ved tilbageslag bliver værktøjet slynget i modsat retning af skivens bevægelse på det sted, hvor den sidder fast.
- d) **Vær særligt forsigtig ved arbejde på hjørner, skarpe kanter osv. Undgå at støde og vride tilbehøret.** Hjørner, skarpe kanter og stød har tendens til at få det roterende tilbehør til at sidde fast og forårsage tab af kontrollen eller tilbageslag.
- e) **Montér ikke en klinge til savning i træ eller en savklinge med tænder.** Sådanne klinger forårsager ofte tilbageslag og tab af kontrollen.

#### Særlige sikkerhedsadvarsler for afslibning:

- a) **Anvend kun skivetyper, der anbefales til maskinen, og den specifikke beskyttelsesskærm, der er beregnet til den valgte skive.** Skiver, som maskinen ikke er beregnet til, kan ikke beskyttes ordentligt og er ikke sikre at bruge.
- b) **Anvend altid ubeskadigede skiveflanger af den korrekte størrelse og form til den valgte skive.** Korrekte skiveflanger understøtter skiven, så der er mindre risiko for, at den går i stykker.

#### Yderligere sikkerhedsadvarsler:

17. **Monter altid støvdækslet inden betjeningen.**
18. **Vær forsigtig med ikke at beskadige spindelen, flangen (især monteringsområdet) eller sikringsmøtrikken.** Beskadigelse af disse dele kan medføre beskadigelse af skiven.
19. **Sørg for, at skiven ikke har kontakt med arbejdsemnet, før der tændes på kontakten.**
20. **Lad værktøjet køre et stykke tid, før det benyttes på et arbejdsemne.** Hold øje med vibrationer eller slinger, der kan være tegn på en dårlig montering eller en dårligt afbalanceret skive.
21. **Vær opmærksom på gnistregn.** Hold værktøjet, så gnisterne flyver væk fra dig selv og andre personer eller fra brændbare materialer.
22. **Gå ikke fra værktøjet, mens det kører.** Lad kun værktøjet køre, mens du holder det i hænderne.
23. **Børér ikke diamantkopstenen umiddelbart efter arbejdet.** Den kan være meget varm og forårsage forbrændinger på huden.
24. **Sørg altid for, at værktøjet er slukket og taget ud af stikkontakten, før du udfører nogen form for arbejde på værktøjet.**
25. **Overhold producentens instruktioner for korrekt montering og brug af skiver.** Vær omhyggelig med håndteringen og opbevaringen af skiverne.
26. **Anvend ikke separate reduktionsbøsninger eller adaptere til tilpasning af skiver med store huller.**

27. Brug kun flanger, der er beregnet til værktøjet.
28. Vær opmærksom på, at skiven fortsætter med at rotere, efter at der slukkes for værktøjet.
29. Hvis arbejdspladsen er meget varm og fugtig, eller hvis den er kraftigt forurenet af ledende støv, skal du bruge en kortslutningsafbryder (30 mA) til at beskytte operatøren.
30. Anvend ikke værktøjet på materialer, der indeholder asbest.
31. Anvend ikke vand eller slibesmøremiddel.
32. Sørg for, at ventilationsåbningerne forbliver frie, når der arbejdes under støvede forhold. Hvis det er nødvendigt at fjerne støv, skal værktøjet først kobles fra strømforsyningen (ved hjælp af ikke-metalliske genstande). Undgå at beskadige de interne dele.

**ADVARSEL:**  
**MISBRUG** eller manglende overholdelse af sikkerhedsreglerne i denne brugsanvisning kan medføre alvorlig personskade.

## GEM DISSE INSTRUKTIONER.

## FUNKTIONSBESKRIVELSE

### FORSIGTIG:

- Sørg altid for, at værktøjet er slukket, og at stikket er taget ud af stikkontakten, før du justerer værktøjet eller kontrollerer dets funktion.

### Betjening af afbryderkontakten (Fig. 1)

#### FORSIGTIG:

- Før værktøjet tilsluttes, skal du altid kontrollere, at afbryderkontakten reagerer korrekt og vender tilbage til "OFF"-stillingen, når du slipper den.

#### For værktøjer med tryklåsekontakt

For at starte værktøjet skal du blot trykke på kontaktknøbet (A). Slip afbryderkontakten for at stoppe værktøjet. Hvis værktøjet skal bruges i længere tid ad gangen, skal du trykke på afbryderkontakten (A) og derefter trykke låseknappen (B) ind. Når du vil stoppe værktøjet fra den låste position, skal du trykke afbryderkontakten (A) helt ind og slippe den.

#### For værktøjer med låsehåndtag

Et låsehåndtag forhindrer, at afbryderkontakt trækkes op ved et uheld. Værktøjet startes ved at trykke låsehåndtaget (B) ind og derefter trække i afbryderkontakten (A). Slip afbryderkontakten for at stoppe værktøjet.

#### For værktøjer med tryklåsekontakt og låsehåndtag

Et låsehåndtag forhindrer, at afbryderkontakt trækkes op ved et uheld. Værktøjet startes ved at trykke låsehåndtaget (B) ind og derefter trække i afbryderkontakten (A). Slip afbryderkontakten for at stoppe værktøjet. Hvis værktøjet skal bruges i længere tid, skal du trykke låsehåndtaget (B) ind, trykke på afbryderkontakten (A) og derefter trykke låsehåndtaget (B) længere ind. Når du vil stoppe værktøjet fra den låste position, skal du trykke afbryderkontakten (A) helt ind og slippe den.

## Elektronisk funktionalitet

### Styring af konstant hastighed

- Det er muligt at få en pæn finish, fordi omdrejningshastigheden holdes konstant, også under belastning.
- Desuden reduceres strømmen til motoren, hvis belastningen af værktøjet overskrider det tilladelige niveau, for at beskytte motoren mod overophedning. Når belastningen igen bliver tilladelig, fungerer værktøjet som normalt.

### Funktion til blød start

- Blød start, fordi startvibrationen dæmpes.

### Indikatorlampe (Fig. 2)

Indikatorlampen lyser grønt, når værktøjet er sat i stikkontakten. Hvis indikatorlampen ikke tændes, er netledningen eller kontrollen muligvis defekte. Hvis indikatorlampen lyser, men værktøjet ikke starter, selvom der er tændt for værktøjet, er kulbørsterne muligvis slidt ned, eller motoren eller afbryderkontakten kan være defekte.

### Sikring mod genstart ved et uheld

Selvom låsehåndtaget holder afbryderkontakten nede (låst position), kan værktøjet ikke starte igen, heller ikke selvom værktøjet er sat i stikkontakten. I dette tilfælde blinker indikationslampen rødt for at vise, at sikringen mod genstart ved et uheld er sat i funktion. For at annullere sikringen mod genstart skal du trykke afbryderkontakten helt ind og derefter slippe den.

### Planslibning (kun for PC5001C) (Fig. 3)

For at planslibe en overflade skal betonhøvlens basis rettes ind med diamantskiven. Frontrullen skal justeres (med unbrakonøglen) opad til niveauet for den ønskede mængde materiale, der skal fjernes. Hvis mængden af materiale (beton), der skal fjernes, skal ændres, skal sekskantsboltene på basisholderen løsnes med unbrakonøglen. Hæv eller sænk frontrullen for at justere afstanden mellem den og diamantskiven. Forskellen bliver den mængde materiale, der skal fjernes. Fastspænd derefter sekskantsboltene meget omhyggeligt. (Fig. 4)

#### BEMÆRK:

- Den maksimale mængde materiale, der fjernes, bør være mindre end 4,0 mm.

### Vipning af basis for mere jævn slibning (kun på PC5001C) (Fig. 5)

Det kan hjælpe at vippe basis for at opnå en mere jævn slibning af en ujævn overflade. Anvend unbrakonøglen til at løsne de to sekskantsbolte, der holder basis fast på hver side.

Brug en unbrakonøgle til at sænke de tre sekskantbolte på basis ved at dreje dem i urets retning. (Fig. 6)

Brug en vinkelmåler eller en lineal til at indstille den ønskede basisvinkel i forhold til diamantskiven. Fastspænd derefter omhyggeligt sekskantsboltene på hver side af basis. Juster midten af basis så det er på samme niveau som skiven. (Fig. 7)

## BEMÆRK:

- Når basis er justeret, drejes de tre sekskantbolte på basis mod urets retning, indtil hovederne flugter med bagsiden af basis. Drej forsigtigt så basisjusteringen ikke bliver skæv.

## Basisjustering for at kompensere for skiveslidtage (kun på PC5001C)

Efter lang tids brug slides diamantskiven og derved kommer der afstand til slibeoverfladen således at ydeevnen forringes. Kontroller værktøjet efter hver 4 eller 5 timers brug.

Hvis skiven og basis ikke er på samme niveau, løsnes to sekskantbolte der fastholder basis. Drej tre sekskantbolte på basis i urets retning og juster basis så det kommer i samme niveau som skiveoverfladen. Spænd igen sekskantboltene der fastholder basis og drej derefter forsigtigt sekskantboltene mod urets retning, sådan at sekskantboltene ikke løsnes under betjeningen.

## Justering af støvdæksel (Fig. 8)

Løs skruen og juster støvdækslets børsterniveau. Støvdækslets børste bør enten flugte med diamantskivens overflade eller være en lille smule over (når værktøjet er vendt om) 0,5 mm. Indsugningen/opsamlingen forringes, hvis de ikke er på omtrent det samme niveau. Sørg for at stramme skruen ordentligt efter justeringen. Støvdækslet justeres ved at du tager fat udvendigt og drejer med uret for at hæve det og mod uret for at sænke det.

## MONTERING

### FORSIGTIG:

- Sørg altid for, at værktøjet er slukket og taget ud af stikkontakten, før du udfører nogen form for arbejde på værktøjet.

## Montering eller afmontering af diamantskiven (Fig. 9)

For at udskifte en slidt diamantskive med en ny skal du trykke på skaflåsen for at holde skaffet roligt, og derefter løsne sikringsmøtrikken mod urets retning med den medfølgende skruenøgle til sikringsmøtrikken. Afmonter den slidte diamantskive.

Følg fremgangsmåden til afmontering ovenfor i omvendt rækkefølge for at montere en ny diamantskive. Ved montering af en diamantskive skal du altid sørge for at stramme sikringsmøtrikken ordentligt.

### BEMÆRK:

- De almindelige diamantskiver der fås i handlen har ikke nogen udsugningshuller, hvilket medfører dårlig udsugning. Hvis monteringshullet endvidere ikke har den eksakte diameter, opstår der vibrationer, og det kan medføre ulykker. BRUG ALTID MAKITA DIAMANTKOPSTEN.

## Udskiftning af støvdækselbørsten (Fig. 10)

For at tage støvdækselbørsten af støvdækslet, skal du tage fat i enden af støvdækselbørsten og trække den langsomt udad. (Fig. 11)

For at montere en børste på støvdækslet skal du placere den ydre kant af støvdækselbørsten i rillen på støvdækslet. (Fig. 12) Udvid derefter rillen. Mens rillen er udvidet, skal du indsætte inderkanten af støvdækselbørsten. Gentag denne handling og indsæt den resterende del.

## Støvpose (Fig. 13)

Støvposen skal monteres på støvåbningen. Sørg altid for at skubbe støvposen helt ind over støvåbningen indtil den stopper, sådan at den ikke falder af under arbejdet. Fjern støvposen når den begynder at røre ved overfladen der slibes. Dette er et tegn på at den er fuld. Hvis posen ikke tømmes, medfører det dårlig udsugning/opsamling.

## Tilslutning til støvsuger (Fig. 14)

Hvis du vil udføre en ren slibning, kan du tilslutte en Makita-støvsuger til værktøjet som vist i figuren.

## BETJENING

### Slibning i hjørner

#### Med PC5000C

Jævn slibning af hjørner er først mulig efter aftagning af overstykket til støvdækslet.

#### Kun på PC5001C (Fig. 15)

Inden planslibning i hjørner fjernes den sekskantbolt, der fastholder rulleholderen og basisholderen, og derefter tages hele rulleholderen af.

Nu løsnes sekskantbolten og overstykket til støvdækslet tages af, hvorefter støvdækslet justeres ordentligt ind i forhold til arbejdet. (Fig. 16)

## VEDLIGEHOLDELSE

### FORSIGTIG:

- Sørg altid for, at værktøjet er slukket, og at stikket er taget ud, før du udfører inspektion eller vedligeholdelse.

## Udskiftning af kulbørsterne (Fig. 17)

Tag regelmæssigt kulbørsterne af, og efterse dem. Udskift dem, når de er nedslidt til slidgrænsen. Hold kulbørsterne rene og frie til at glide i holderne. Begge kulbørster skal udskiftes samtidig. Brug altid identiske kulbørster.

Brug en skruetrækker til at fjerne kulholderdækslerne. Tag de udslidte kulbørster ud, monter de nye, og fastgør kulholderdækslerne. (Fig. 18)

For at holde produktet SIKKERT og PÅLIDELIGT skal reparationer samt al anden vedligeholdelse eller justering udføres af autoriserede Makita-servicecentre, og der skal altid benyttes Makita-reservedele.

## TILBEHØR

### FORSIGTIG:

- Dette tilbehør eller ekstraudstyr anbefales til brug med det Makita-værktøj, som er beskrevet i denne brugsanvisning. Brug af andet tilbehør eller ekstraudstyr kan forårsage personskade. Brug kun tilbehør eller ekstraudstyr til det formål, det er beregnet til.

Henvend dig til din lokale Makita-servicecenter, hvis du har brug for hjælp eller yderligere oplysninger vedrørende tilbehøret.

- Diamantkopsten (tør type)
- Albueled 32

**EC-ERKLÆRING VEDRØRENDE OVERHOLDELSE AF  
STANDARDE** ENH101-9

**Model PC5000C, PC5001C**

Vi erklærer og tager det fulde ansvar for, at produktet overholder følgende standarder i de standardiserede dokumenter:

EN60745, EN55014, EN61000 i overensstemmelse med Rådets direktiver 2004/108/EC, 98/37/EC.

**CE2008**



Tomoyasu Kato  
Direktør

Ansvarlig producent:

**Makita Corporation**

3-11-8, Sumiyoshi-cho, Anjo, Aichi, JAPAN

Autoriseret repræsentant i Europa:

**Makita International Europe Ltd.**

Michigan Drive, Tongwell, Milton Keynes, Bucks MK15  
8JD, ENGLAND

## Γενική περιγραφή

1. Μοχλός κλειδώματος	11. Γνώμονας ή χάρακας	21. Καπάκι καλύμματος σκόνης
2. Σκανδάλη-διακόπτης	12. Ανύψωση	22. Ολόκληρο το στήριγμα του κυλίνδρου
3. Ενδεικτική λυχνία	13. Χαμήλωμα	23. Εξαγωνικό μπουλόνι
4. Βάση (μόνο για το PC5001C)	14. Κάλυμμα σκόνης	24. Ένδειξη ορίου
5. Εξαγωνικό άλεν	15. Βίδα	25. Καπάκι υποδοχής για το καρβουνάκι
6. Μπροστινός κύλινδρος	16. Παξιμάδι κλειδώματος	26. Καταβίδι
7. Μπουλόνι εξάγ. κοίλης κεφαλής	17. Κλειδί κλειδώματος παξιμαδιού	
8. Ποσότητα αφαιρούμενου υλικού	18. Διαμαντένιος τροχός	
9. Βάση	19. Κλειδίωμα άξονα	
10. Ίδιο επίπεδο	20. Σάκος σκόνης	

## ΠΡΟΔΙΑΓΡΑΦΕΣ

Μοντέλο	PC5000C	PC5001C
Διάμετρος τροχού	125 χιλ	
Διάμετρος σπής	22,23 χιλ	
Σπείρωμα ατράκτου	M14	
Ονομαστική ταχύτητα (n)/Ταχύτητα χωρίς φορτίο (n <sub>0</sub> )	10.000 (λεπ. <sup>-1</sup> )	
Ολικό μήκος	437 χιλ	479 χιλ
Καθαρό βάρος	4,0 κιλά	5,1 κιλά
Τάξη ασφάλειας	II/II	

- Λόγω του συνεχόμενου προγράμματος που εφαρμόζουμε για έρευνα και ανάπτυξη, τα τεχνικά χαρακτηριστικά στο παρόν έντυπο υπόκεινται σε αλλαγή χωρίς προειδοποίηση.
- Σημείωση: Τα τεχνικά χαρακτηριστικά ενδέχεται να διαφέρουν ανάλογα με τη χώρα.
- Βάρος σύμφωνα με τη μέθοδο της ΕΡΤΑ 01/2003

**Προοριζόμενη χρήση** ENF002-1  
Το εργαλείο προορίζεται για πλάνισμα επιφανειών από τσιμέντο.

**Ηλεκτρική παροχή** ENF002-1  
Το εργαλείο πρέπει να συνδέεται μόνο σε ηλεκτρική παροχή της ίδιας τάσης με αυτήν που αναγράφεται στην πινακίδα ονομαστικών τιμών και μπορεί να λειτουργήσει μόνο με εναλλασσόμενο μονοφασικό ρεύμα. Τα εργαλεία αυτά διαθέτουν διπλή μόνωση που συμμορφώνεται με τα ευρωπαϊκά πρότυπα και συνεπώς μπορούν να συνδεθούν με πρίζες χωρίς γείωση.

## ΕΙΔΙΚΟΙ ΚΑΝΟΝΕΣ ΑΣΦΑΛΕΙΑΣ

GEB043-3

**ΜΗΝ επιτρέψετε στη βολικότητα ή στην εξοικείωσή σας με το προϊόν (που αποκτήθηκε από επανειλημμένη χρήση) να αντικαταστήσει την αυστηρή προσήλωση στους κανόνες ασφάλειας της Πλάνης Τσιμέντου. Εάν χρησιμοποιήσετε αυτό το εργαλείο με ανασφαλές ή λανθασμένο τρόπο, ενδέχεται να υποστείτε σοβαρό τραυματισμό.**

**Προειδοποιήσεις ασφαλείας για τη λειτουργία τροχίσματος:**

1. Αυτό το ηλεκτρικό εργαλείο προορίζεται να λειτουργήσει ως εργαλείο τροχίσματος με έκκεντρος διαμαντένιους τροχούς. Διαβάστε όλες τις προειδοποιήσεις ασφαλείας, τις οδηγίες, τις εικόνες και τις προδιαγραφές που παρέχονται με αυτό το ηλεκτρικό εργαλείο. Αν δεν

ακολουθήσετε όλες τις οδηγίες που παρατίθενται παρακάτω, υπάρχει κίνδυνος ηλεκτροπληξίας, πυρκαγιάς ή/και σοβαρού τραυματισμού.

2. **Δεν συνιστάται να πραγματοποιούνται λειτουργίες όπως τρόχιση με λειαντικούς τροχούς, λείανση, χρήση συρματόβουρτσας, λουστράρισμα ή κοπή με αυτό το ηλεκτρικό εργαλείο.** Αν χρησιμοποιηθεί το ηλεκτρικό εργαλείο για εργασίες για τις οποίες δεν έχει σχεδιαστεί, ενδεχομένως να προκληθεί κίνδυνος και προσωπικός τραυματισμός.
3. **Μη χρησιμοποιείτε εξαρτήματα που δεν έχουν σχεδιαστεί συγκεκριμένα για το εργαλείο και δε συνιστώνται από τον κατασκευαστή του εργαλείου.** Αν και είναι δυνατό να προσαρτηθεί το εξάρτημα στο ηλεκτρικό εργαλείο σας, αυτό δεν σημαίνει ότι μπορεί να λειτουργεί με ασφάλεια.
4. **Η ονομαστική ταχύτητα του εξαρτήματος πρέπει να είναι τουλάχιστον ίση με τη μέγιστη ταχύτητα που αναγράφεται στο ηλεκτρικό εργαλείο.** Τα εξαρτήματα που λειτουργούν με ταχύτητα υψηλότερη από την ονομαστική ταχύτητά τους μπορεί να σπασούν και να εκτιναχθούν τα μέρη τους.
5. **Η εξωτερική διάμετρος και το πάχος του εξαρτήματος σας πρέπει να βρίσκονται εντός των δυνατοτήτων του ηλεκτρικού εργαλείου σας.** Τα εξαρτήματα με λανθασμένο μέγεθος δεν προστατεύονται ούτε ελέγχονται ικανοποιητικά.
6. **Το μέγεθος στερέωσης των τροχών, φλαντζών ή οποιονδήποτε άλλων εξαρτημάτων πρέπει να ταιριάζει σωστά στην άτρακτο του ηλεκτρικού**

**εργαλείου.** Τα εξαρτήματα με οπές στερέωσης που δεν ταιριάζουν με τον εξοπλισμό στερέωσης του ηλεκτρικού εργαλείου θα λειτουργούν ιδιόρρυθμα, προκαλώντας υπερβολικούς κραδασμούς και ενδεχομένως απώλεια ελέγχου.

7. **Μη χρησιμοποιείτε εξαρτήματα που έχουν υποστεί βλάβη.** Πριν τη κάθε χρήση εξετάστε το εξάρτημα όπως τους έκκεντρος διαμαντένιους τροχούς για σπασίματα και ρωγμές. Αν το ηλεκτρικό εργαλείο ή ένα εξάρτημα πέσει κάτω, ελέγξτε για ζημιές ή εγκαταστήστε ένα εξάρτημα που δεν έχει υποστεί βλάβη. Μετά την εξέταση και την εγκατάσταση ενός εξαρτήματος, λάβετε θέση και τοποθετήστε τους μη έχοντες εργασία μακριά από το επίπεδο του περιστρεφόμενου εξαρτήματος και λειτουργήστε το ηλεκτρικό εργαλείο στη μέγιστη ταχύτητα χωρίς φορτίο για ένα λεπτό. Τα εξαρτήματα που έχουν υποστεί ζημιά συνήθως θα σπάσουν κατά τη διάρκεια αυτού του δοκιμαστικού χρονικού διαστήματος.
8. **Να φοράτε προσωπικό προστατευτικό εξοπλισμό. Ανάλογα με την εφαρμογή, να χρησιμοποιείτε προσταπίδα, προστατευτικά ματιών ή προστατευτικά γυαλιά. Αν είναι απαραίτητο, να φοράτε προσωπίδα κατά της σκόνης, γυασπίδες, γάντια και φόρμα συνεργείου που έχουν τη δυνατότητα να σταματούν την κίνηση μικρών θραυσμάτων που προέρχονται από τη λείανση ή το τεμάχιο εργασίας.** Ο προστατευτικός εξοπλισμός για τα μάτια πρέπει να έχει τη δυνατότητα να σταματά την κίνηση των εκτινασσομένων θραυσμάτων που δημιουργούνται από τις διάφορες εργασίες. Η προσωπίδα κατά της σκόνης ή ο αναπνευστήρας πρέπει να έχει τη δυνατότητα να φιλτράρει τα σωματίδια που δημιουργούνται από την εργασία που εκτελείται. Η παρατεταμένη έκθεση σε θόρυβο υψηλής έντασης μπορεί να προκαλέσει απώλεια ακοής.
9. **Να απομακρύνετε τους μη έχοντες εργασία σε ασφαλή απόσταση από το χώρο εργασίας. Κάθε άτομο που εισέρχεται στο χώρο εργασίας πρέπει να φορά προσωπικό προστατευτικό εξοπλισμό.** Μπορεί να εκτιναχθούν θραύσματα από το τεμάχιο εργασίας ή από ένα σπασμένο εξάρτημα και να προκαλέσουν τραυματισμό σε άτομα που βρίσκονται μακριά από την άμεση περιοχή της εργασίας.
10. **Να κρατάτε το ηλεκτρικό εργαλείο μόνο από τις λαβές με μόνωση όταν εκτελείτε εργασίες κατά τις οποίες το κοπτικό εξάρτημα μπορεί να έρθει σε επαφή με κρυμμένα καλώδια ή με το ίδιο του το καλώδιο.** Αν το κοπτικό εξάρτημα έρθει σε επαφή με κάποιο ηλεκτροφόρο καλώδιο, τα εκτεθειμένα μεταλλικά μέρη του ηλεκτρικού εργαλείου θα γίνουν κι αυτά ηλεκτροφόρα και θα προκαληθεί ηλεκτροπληξία στο χειριστή.
11. **Να τοποθετείτε το ηλεκτρικό καλώδιο μακριά από το περιστρεφόμενο εξάρτημα.** Αν χάσετε τον έλεγχο, το ηλεκτρικό καλώδιο μπορεί να κοπεί ή να σκαλώσει, και μπορεί να τραβήξει το χέρι ή το βραχιόνιό σας μέσα στο περιστρεφόμενο εξάρτημα.
12. **Ποτέ να μην τοποθετείτε κάτω το ηλεκτρικό εργαλείο έως ότου το εξάρτημα σταματήσει τελείως.** Το περιστρεφόμενο εξάρτημα ενδεχομένως

να πιαστεί στην επιφάνεια και να χάσετε τον έλεγχο του ηλεκτρικού εργαλείου.

13. **Μη λειτουργείτε το ηλεκτρικό εργαλείο όσο το μεταφέρετε στο πλάι σας.** Η τυχαία επαφή με το περιστρεφόμενο εξάρτημα μπορεί να έχει ως αποτέλεσμα να πιαστούν τα ρούχα σας και το εξάρτημα να τραβηχτεί προς το σώμα σας.
14. **Να καθαρίζετε τακτικά τα ανοίγματα εξαερισμού του ηλεκτρικού εργαλείου.** Ο ανεμιστήρας του μοτέρ τραβάει τη σκόνη στο εσωτερικό του περιβλήματος και η υπερβολική συσσώρευση μετάλλου σε μορφή σκόνης ενδεχομένως να προκαλέσει κίνδυνο ηλεκτροπληξίας.
15. **Μη θέτετε σε λειτουργία το ηλεκτρικό εργαλείο κοντά σε εύφλεκα υλικά.** Οι σπινθήρες που προκαλέσουν ανάφλεξη αυτών των υλικών.
16. **Μη χρησιμοποιείτε εξαρτήματα που απαιτούν υγρά ψυκτικά.** Η χρήση νερού ή άλλων υγρών ψυκτικών μπορεί να έχει ως αποτέλεσμα την ηλεκτροπληξία.

#### **Κλώστση και σχετικές προειδοποιήσεις**

Το κλώστση είναι μια ξαφνική αντίδραση όταν αποκοπεί ή σκαλώσει ο περιστρεφόμενος τροχός, το βύσμα στήριξης, η βούρτσα ή κάποιο άλλο εξάρτημα. Η αποκοπή ή το σκάλωμα προκαλεί την απότομη εμπλοκή του περιστρεφόμενου εξαρτήματος, το οποίο με τη σειρά του προκαλεί την κίνηση του ανεξέλεγκτου ηλεκτρικού εργαλείου προς την αντίθετη κατεύθυνση της περιστροφής του εξαρτήματος στο σημείο της κίνησης. Για παράδειγμα, αν ένας λειαντικός τροχός αποκοπεί ή σκαλώσει στο τεμάχιο εργασίας, το άκρο του τροχού που εισέρχεται στο σημείο αποκοπής μπορεί να σκάψει μέσα στην επιφάνεια του υλικού και να έχει ως αποτέλεσμα ο τροχός να εξέλθει από αυτό ή να κλωστήσει. Ο τροχός μπορεί να πεταχτεί προς το χειριστή ή μακριά από αυτόν, ανάλογα με την κατεύθυνση κίνησης του τροχού στο σημείο της αποκοπής. Οι λειαντικοί τροχοί μπορεί και να σπάσουν κάτω από αυτές τις συνθήκες.

Το κλώστση προκαλείται όταν το ηλεκτρικό εργαλείο χρησιμοποιείται λανθασμένα ή/και όταν οι διαδικασίες ή οι συνθήκες λειτουργίας είναι λανθασμένες, ενώ μπορεί να αποφευχθεί αν ληφθούν οι κατάλληλες προφυλάξεις που αναφέρονται παρακάτω.

- α) **Να κρατάτε το ηλεκτρικό εργαλείο καλά και με τα δύο χέρια και να τοποθετείτε το σώμα και το βραχιόνιό σας με τρόπο ώστε να αντιστέκονται στη δύναμη του κλωστήματος.** Να χρησιμοποιείτε πάντα τη βοηθητική λαβή, αν παρέχεται, για μέγιστο έλεγχο κατά του κλωστήματος ή της αντίδρασης ροπής κατά την έναρξη της λειτουργίας. Ο χειριστής μπορεί να ελέγξει τις αντιδράσεις ροπής ή τις δυνάμεις κλωστήματος αν λάβει τις κατάλληλες προφυλάξεις.
- β) **Μην τοποθετείτε ποτέ τα χέρια σας κοντά στο περιστρεφόμενο εξάρτημα.** Το εξάρτημα μπορεί να κλωστήσει επάνω από το χέρι σας.
- γ) **Μην τοποθετείτε το σώμα σας στην περιοχή που θα κινηθεί το ηλεκτρικό εργαλείο στην περίπτωση που αυτό κλωστήσει.** Το κλώστση θα προωθήσει το εργαλείο προς την αντίθετη κατεύθυνση της κίνησης του τροχού στο σημείο του σκαλώματος.
- δ) **Να είστε ιδιαίτερα προσεκτικοί όταν εργάζεστε σε γωνίες, αιχμηρές άκρες, κτλ. Να αποφεύγετε την αναπήδηση και το σκάλωμα του εξαρτήματος.**

Οι γωνίες, οι αιχμηρές άκρες ή η αναπήδηση έχουν την τάση να σκαλώνουν το περιστρεφόμενο εξάρτημα και να προκαλούν την απώλεια ελέγχου ή το κλώσημα.

ε) Μην προσαρτάτε μια λάμα αλυσοπρίονου για ξύλο ή οδοντωτή λάμα. Τέτοιες λάμες δημιουργούν συχνά κλώσημα και απώλεια του ελέγχου.

**Ειδικές προειδοποιήσεις ασφαλείας για τη λειτουργία τροχίσματος:**

α) Να χρησιμοποιείτε μόνο είδη τροχών που συνιστώνται για το ηλεκτρικό εργαλείο σας και να χρησιμοποιείτε το ειδικό προστατευτικό που έχει σχεδιαστεί για τον επιλεγμένο τροχό. Οι τροχοί για τους οποίους δεν είναι σχεδιασμένο το ηλεκτρικό εργαλείο δεν μπορούν να προστατευτούν ικανοποιητικά και είναι ανασφαλείς.

β) Να χρησιμοποιείτε πάντα φλάντζες τροχών με το σωστό μέγεθος και σχήμα για τον επιλεγμένο τροχό σας, οι οποίες δεν έχουν υποστεί βλάβη. Οι κατάλληλες φλάντζες τροχών υποστηρίζουν τον τροχό και συνεπώς μειώνουν την πιθανότητα αυτός να σπάσει.

**Επιπλέον προειδοποιήσεις ασφαλείας:**

17. Πάντοτε να τοποθετείτε το κάλυμμα της σκόνης πριν από τη λειτουργία.
18. Να προσέχετε ώστε να μην καταστρέψετε την άτρακτο, τη φλάντζα (ειδικά την επιφάνεια τοποθέτησης) ή το παξιμάδι κλειδώματος. Αν τα εξαρτήματα αυτά είναι καταστραμμένα, μπορεί να επέλθει ως αποτέλεσμα το σπάσιμο του τροχού.
19. Βεβαιωθείτε ότι ο τροχός δεν ακουμπά το τεμάχιο εργασίας πριν ενεργοποιήσετε το διακόπτη λειτουργίας.
20. Πριν χρησιμοποιήσετε το εργαλείο σε ένα πραγματικό τεμάχιο εργασίας, να το αφήνετε να λειτουργεί για λίγη ώρα. Να προσέχετε για κραδασμούς ή κινήσεις που θα μπορούσαν να υποδείξουν κακή τοποθέτηση ή κακή ισορροπηση του τροχού.
21. Προσέχετε τις σπίθες που πετάνονται. Να κρατάτε το εργαλείο με τρόπο ώστε οι σπίθες να πετάνονται μακριά από εσάς, άλλα άτομα ή εύφλεκτα υλικά.
22. Μην αφήνετε το εργαλείο σε λειτουργία. Το εργαλείο πρέπει να βρίσκεται σε λειτουργία μόνο όταν το κρατάτε.
23. Μην αγγίζετε τον έκκεντρο διαμαντένιο τροχό αμέσως μετά τη λειτουργία του εργαλείου. Μπορεί να είναι εξαιρετικά θερμός και να προκληθεί έγκαυμα στο δέρμα σας.
24. Να βεβαιώνετε πάντοτε ότι έχετε σβήσει το εργαλείο, έχετε βγάλει το φις του ηλεκτρικού καλωδίου από την πρίζα και ότι έχετε βγάλει την μπαταρία πριν εκτελέσετε οποιαδήποτε εργασία σε αυτό.
25. Να τηρείτε τις οδηγίες του κατασκευαστή όσον αφορά τη σωστή τοποθέτηση και χρήση των τροχών. Να χειρίζεστε και να αποθηκεύετε τους τροχούς με φροντίδα.
26. Μη χρησιμοποιείτε ξεχωριστές ροδέλες ή προσαρμογείς για να προσαρμόσετε τροχούς με μεγάλη σπή.
27. Να χρησιμοποιείτε μόνο φλάντζες κατάλληλες για αυτό το εργαλείο.

28. Να προσέχετε όταν ο τροχός συνεχίζει να περιστρέφεται ακόμη και αφού απενεργοποιήσετε το εργαλείο.

29. Εάν το περιβάλλον εργασίας είναι πολύ ζεστό και υγρό ή εάν υπάρχει υπερβολική αγωγιμη σκόνη, να χρησιμοποιείτε ασφάλεια βραχυκυκλώματος (30 mA) για να εξασφαλίσετε την ασφάλεια του χειριστή.

30. Μη χρησιμοποιείτε το εργαλείο σε κανένα υλικό που περιέχει αμίαντο.

31. Μη χρησιμοποιείτε νερό ή λιπαντικό τροχίσματος.

32. Να φροντίζετε ώστε τα ανοίγματα εξαερισμού να είναι ελεύθερα όταν εργάζεστε σε χώρους με σκόνη. Εάν είναι απαραίτητο να καθαρίσετε τη σκόνη, αποσυνδέστε πρώτα το εργαλείο από την κεντρική παροχή ηλεκτρικού ρεύματος (μη χρησιμοποιείτε μεταλλικά αντικείμενα) και προσέξτε να μην προκαλέσετε ζημιά στα εσωτερικά μέρη.

**ΠΡΟΕΙΔΟΠΟΙΗΣΗ:**

**Η ΛΑΝΘΑΣΜΕΝΗ ΧΡΗΣΗ ή η μη τήρηση των κανόνων ασφαλείας που διατυπώνονται στο παρόν εγχειρίδιο οδηγίων μπορεί να προκαλέσει σοβαρό τραυματισμό.**

## ΦΥΛΑΞΤΕ ΑΥΤΕΣ ΤΙΣ ΟΔΗΓΙΕΣ.

## ΠΕΡΙΓΡΑΦΗ ΛΕΙΤΟΥΡΓΙΑΣ

**ΠΡΟΣΟΧΗ:**

- Να βεβαιώνετε πάντοτε ότι το εργαλείο είναι σβηστό και αποσυνδεδεμένο από το ηλεκτρικό ρεύμα πριν ρυθμίσετε ή ελέγξετε κάποια λειτουργία του.

### Δράση διακόπτη (Εικ. 1)

**ΠΡΟΣΟΧΗ:**

- Πριν συνδέετε το εργαλείο στην πρίζα, πάντοτε να ελέγχετε ότι η σκανδάλη-διακόπτης ενεργοποιείται κανονικά και επιστρέφει στη θέση «OFF» όταν την αφήνετε.

**Για εργαλείο με διακόπτη κλειδώματος**

Για να ξεκινήσετε το εργαλείο, απλά πιέστε τη σκανδάλη-διακόπτης (A). Για να σταματήσετε το εργαλείο, αφήστε την σκανδάλη-διακόπτης. Για συνεχόμενη λειτουργία, πατήστε τη σκανδάλη-διακόπτης (A) και κατόπιν πατήστε το μοχλό κλειδώματος (B). Για να βγάλετε το εργαλείο από την κλειδωμένη θέση, πιέστε εντελώς τη σκανδάλη-διακόπτης (A) και κατόπιν αφήστε την.

**Για εργαλείο με διακόπτη ασφάλισης**

Για να μην πιεστεί η σκανδάλη-διακόπτης κατά λάθος, παρέχεται ένας μοχλός ασφάλισης. Για να ξεκινήσετε τη λειτουργία του εργαλείου, πιέστε το μοχλό ασφάλισης (B) και μετά πατήστε τη σκανδάλη-διακόπτης (A). Για να σταματήσετε το εργαλείο, αφήστε την σκανδάλη-διακόπτης.

**Για εργαλείο με διακόπτη ασφάλισης και κλειδώματος**

Για να μην πιεστεί η σκανδάλη-διακόπτης κατά λάθος, παρέχεται ένας μοχλός ασφάλισης. Για να ξεκινήσετε τη λειτουργία του εργαλείου, πιέστε το μοχλό ασφάλισης (B) και μετά πατήστε τη σκανδάλη-διακόπτης (A). Για να σταματήσετε το εργαλείο, αφήστε την σκανδάλη-

διακόπτης. Για συνεχή λειτουργία, πιέστε το μοχλό ασφάλισης (B), τραβήξτε την σκανδάλη-διακόπτης (A) και μετά πιέστε περισσότερο το μοχλό κλειδώματος (B). Για να βγάλετε το εργαλείο από την κλειδωμένη θέση, πιέστε εντελώς τη σκανδάλη-διακόπτης (A) και κατόπιν αφήστε την.

## Ηλεκτρονική λειτουργία

### Έλεγχος σταθερής ταχύτητας

- Είναι δυνατό να έχετε ένα καθαρό τελείωμα, επειδή η ταχύτητα περιστροφής διατηρείται σταθερή ακόμη και κάτω από συνθήκες φορτίου.
- Επιπρόσθετα, όταν το φορτίο στο εργαλείο ξεπερνά τα επιτρεπόμενα όρια, η ισχύς στο μοτέρ ελαττώνεται για την προστασία του μοτέρ από την υπερθέρμανση. Όταν το φορτίο επιστρέφει στα επιτρεπτά όρια, το εργαλείο θα λειτουργεί κανονικά.

### Χαρακτηριστικό ομαλής εκκίνησης

- Ομαλή εκκίνηση λόγω των απότομων κραδασμών κατά την εκκίνηση.

### Ενδεικτική λυχνία (Εικ. 2)

Όταν συνδέετε το εργαλείο στη πρίζα, ανάβει η πράσινη ενδεικτική λυχνία. Αν δεν ανάβει η ενδεικτική λυχνία, μπορεί να είναι ελαττωματικό το ηλεκτρικό καλώδιο ή ο ελεγκτής. Αν η ενδεικτική λυχνία είναι αναμμένη, αλλά το εργαλείο δεν ξεκινάει, ακόμη και αν πατηθεί ο διακόπτης, μπορεί να έχουν φθαρεί τα καρβουάνια, ή να είναι ελαττωματικός ο ελεγκτής, το μοτέρ ή ο διακόπτης ON/OFF.

### Προστασία ακούσιας επανεκκίνησης

Ο επίπεδος μοχλός ασφάλισης διατηρεί τη σκανδάλη-διακόπτης πατημένη (Ασφαλισμένη θέση) μη επιτρέποντας στο εργαλείο την επανεκκίνηση ακόμη και όταν αυτό μπει στην πρίζα. Τη στιγμή αυτή, η ενδεικτική λυχνία αναβοσβήνει στο κόκκινο και δείχνει ότι λειτουργεί η συσκευή της προστασίας ενάντια στην ακούσια επανεκκίνηση. Για την ακύρωση της προστασίας ενάντια στην ακούσια επανεκκίνηση, τραβήξτε τη σκανδάλη-διακόπτης πλήρως, και μετά ελευθερώστε την.

### Επίπεδο πλάνισμα (μόνο για το PC5001C) (Εικ. 3)

Για να ισιώσετε μια επιφάνεια η βάση της πλάνης πρέπει να είναι ευθυγραμμισμένη με τον διαμαντέιο τροχό. Ο μπροστινός κύλινδρος θα πρέπει να προσαρμοστεί (χρησιμοποιήστε ένα εξαγωνικό άλεν) προς τα επάνω στο επίπεδο που απαιτείται για την ποσότητα του υλικού που επιθυμείτε να αφαιρεθεί.

Για να αλλάξετε την ποσότητα του αφαιρούμενου υλικού (τσιμέντου), ξεσφίξτε τα μπουλόνια που διαθέτουν τις εξάγ. κοίλες κεφαλές στο στήριγμα της βάσης με το εξαγωνικό άλεν. Χαμηλώστε ή ανυψώστε τον μπροστινό κύλινδρο για να προσαρμόσετε το κενό μεταξύ αυτού και του διαμαντέιου τροχού. Η διαφορά είναι η ποσότητα του αφαιρούμενου υλικού. Στη συνέχεια ασφαλίστε προσεκτικά τα μπουλόνια με τις εξάγ. κοίλες κεφαλές. (Εικ. 4)

### ΣΗΜΕΙΩΣΗ:

- Η μέγιστη αφαίρεση υλικού θα πρέπει να είναι μικρότερη από 4,0 χιλ.

### Κλίση της βάσης για πιο λείο πλάνισμα (μόνο για το PC5001C) (Εικ. 5)

Η κλίση της βάσης βοηθά στην λεία αφαίρεση μιας επιφάνειας με δεδομένη τραχύτητα ή υφή. Χρησιμοποιήστε το εξαγωνικό άλεν για να ξεσφίξετε τα δυο μπουλόνια με την εξάγ. κοίλη κεφαλή που στερεώνουν την βάση και στις δυο πλευρές. Χρησιμοποιήστε το εξαγωνικό άλεν για να χαμηλώσετε τα μπουλόνια με την εξάγ. κοίλη κεφαλή στη βάση περιστρέφοντάς τα προς τα δεξιά πάνω στη βάση. (Εικ. 6)

Χρησιμοποιήστε ένα γνώμονα ή ένα χάρακα για να αποκτήσετε την επιθυμητή γωνία της βάσης σε σχέση με τον διαμαντέιο τροχό. Στη συνέχεια στερεώστε προσεκτικά τα μπουλόνια με τις εξάγ. κοίλες κεφαλές πάνω στις δυο πλευρές της βάσης. Προσαρμόστε το κέντρο της βάσης κοντά στον τροχό έτσι ώστε να βρίσκεται στο ίδιο επίπεδο με τον τροχό. (Εικ. 7)

### ΣΗΜΕΙΩΣΗ:

- Μετά την προσαρμογή της βάσης, στρέψτε προς τα αριστερά τα τρία μπουλόνια με την εξάγ. κοίλη κεφαλή έως ότου οι κεφαλές να έρθουν στο ίδιο επίπεδο με την πίσω πλευρά της βάσης. Στρέψτε με προσοχή διαφορετικά η προσαρμογή της βάσης θα ακυρωθεί.

### Προσαρμογή της βάσης ως αντιστάθμισμα της φθορά του τροχού (μόνο για το PC5001C)

Με τη μακροχρόνια χρήση, ο διαμαντέιος τροχός θα φθαρεί και έτσι θα δημιουργηθεί ένα κενό με την επιφάνεια πλάνισματος έχοντας ως αποτέλεσμα την μείωση της απόδοσης. Ελέγξτε το εργαλείο μετά από 4 ή 5 ώρες χρήσης.

Εάν οι επιφάνειες του τροχού και της βάσης δεν είναι ευθυγραμμισμένες, ξεσφίξτε τα δυο μπουλόνια με τις εξάγ. κοίλες κεφαλές που στερεώνουν τη βάση. Στρέψτε προς τα δεξιά τα μπουλόνια με τις εξάγ. κοίλες κεφαλές που βρίσκονται πάνω στη βάση και προσαρμόστε τη βάση ώστε να είναι επίπεδη με την επιφάνεια του τροχού. Ξανασφίξτε καλά τα μπουλόνια με τις εξάγ. κοίλες κεφαλές που στερεώνουν τη βάση και στη συνέχεια στρέψτε ελαφρά προς τα αριστερά τα μπουλόνια με τις εξάγ. κοίλες κεφαλές έτσι ώστε να μην ξεσφίξουν κατά την λειτουργία.

### Προσαρμογή του καλύμματος της σκόνης (Εικ. 8)

Ξεσφίξτε τη βίδα και προσαρμόστε το επίπεδο της βούρτσας του καλύμματος της σκόνης. Η βούρτσα του καλύμματος της σκόνης θα πρέπει να είναι είτε επίπεδη με την επιφάνεια του διαμαντέιου τροχού ή πολύ λίγο πάνω (όταν το εργαλείο είναι ανάστροφο) από τα 0,5 χιλ. Η αναρρόφηση/αυλογωγή θα είναι ανεπαρκής εάν δεν είναι κατά προσέγγιση στο ίδιο επίπεδο. Μετά την προσαρμογή, φροντίστε να σφίξετε την βίδα καλά. Για να προσαρμόσετε το κάλυμμα της σκόνης, πιέστε το από τα εξωτερικά, στρέψτε δεξιόστροφα για να το ανυψώσετε ή αριστερόστροφα για να το χαμηλώσετε.



## ΣΥΝΑΡΜΟΛΟΓΗΣΗ

### ΠΡΟΣΟΧΗ:

- Να βεβαιώνετε πάντοτε ότι το εργαλείο είναι σβηστό και αποσυνδεδεμένο από το ηλεκτρικό ρεύμα πριν εκτελέσετε οποιαδήποτε εργασία σε αυτό.

### Τοποθέτηση ή αφαίρεση του διαμαντένιου τροχού (Εικ. 9)

Για να αντικαταστήσετε ένα φθαρμένο διαμαντένιο τροφό με ένα καινούργιο, πιέστε την ασφάλεια του άξονα για να κρατήσετε σταθερό τον άξονα, και στη συνέχεια ξεσφίξτε το παξιμάδι κλειδώματος προς τα αριστερά με το παρεχόμενο κλειδί που είναι ειδικό για το παξιμάδι κλειδώματος.

Αφαιρέστε τον φθαρμένο διαμαντένιο τροχό.

Για να τοποθετήσετε ένα καινούργιο, ακολουθήστε τη παραπάνω διαδικασία αφαίρεσης με αντίστροφη σειρά. Κατά την τοποθέτηση του διαμαντένιου τροχού πάντοτε να φροντίζετε να σφίγγετε καλά το παξιμάδι κλειδώματος.

### ΣΗΜΕΙΩΣΗ:

- Οι συνηθισμένοι διαμαντένιοι τροχοί της αγοράς δεν διαθέτουν σπές εξαγωγής, έτσι η εκκένωση της σκόνης είναι περιορισμένη. Επίσης, εάν η οπή εγκατάστασης δεν είναι απολύτως της ίδιας διαμέτρου, θα συμβεί δόνηση στο εργαλείο και μπορούν να προκληθούν ατυχήματα. ΠΑΝΤΟΤΕ ΝΑ ΧΡΗΣΙΜΟΠΟΙΗΤΕ ΕΝΑ ΕΚΚΕΝΤΡΟ ΔΙΑΜΑΝΤΕΝΙΟ ΤΡΟΧΟ ΤΗΣ ΜΑΚΙΤΑ.

### Αντικατάσταση της βούρτσας του καλύμματος της σκόνης (Εικ. 10)

Για να αφαιρέσετε την βούρτσα του καλύμματος της σκόνης από το κάλυμμα της σκόνης, πιάστε το άκρο της βούρτσας του καλύμματος της σκόνης και βγάλτε το αργά προς τα έξω. (Εικ. 11)

Για να εγκαταστήσετε τη βούρτσα του καλύμματος της σκόνης, τοποθετήστε το εξωτερικό άκρο της βούρτσας του καλύμματος της σκόνης μέσα στην αυλάκωση του καλύμματος της σκόνης. (Εικ. 12)

Και στη συνέχεια διευρύνετε την αυλάκωση. Με διευρυμένη την αυλάκωση, εισάγετε το εσωτερικό άκρο της βούρτσας του καλύμματος της σκόνης. Επαναλάβετε αυτή την ενέργεια και εισάγετε το υπόλοιπο τμήμα.

### Σάκος σκόνης (Εικ. 13)

Για να τοποθετήσετε τον σάκο της σκόνης, σύρτε τον μέσα στην είσοδο της σκόνης. Πάντοτε να φροντίζετε να τον σέρνετε μέσα στην είσοδο της σκόνης μέχρι τέλους έως ότου να σταματήσει, έτσι ώστε να μην μπορεί να βγει έξω κατά την διάρκεια της λειτουργίας.

Αφαιρέστε τον σάκο της σκόνης όταν αρχίζει να αγγίζει την επιφάνεια κοπής. Αυτό είναι ένα σημάδι ότι έχει γεμίσει. Αν δεν αδειάσετε τον σάκο θα καταστεί ανεπαρκής η αναρρόφηση/συλλογή.

### Σύνδεση ηλεκτρικής σκούπας (Εικ. 14)

Όταν θέλετε να εκτελέσετε εργασίες πλάνισματος καθαρά, συνδέστε την ηλεκτρική σκούπα της Makita στο εργαλείο σας όπως δείχνεται στην εικόνα.

## ΛΕΙΤΟΥΡΓΙΑ

### Πλάνισμα σε γωνίες

#### Για το PC5000C

Το επίπεδο πλάνισμα των γωνιών είναι εφικτό αφού πρώτα αφαιρέσετε το καπάκι του καλύμματος της σκόνης.

#### Μόνο για το PC5001C (Εικ. 15)

Πριν εκτελέσετε το επίπεδο πλάνισμα γωνιών, αφαιρέστε το εξάγωνο μπουλόνι που στερεώνει το στήριγμα του κυλίνδρου με το στήριγμα της βάσης και στη συνέχεια βγάλτε ολόκληρο το στήριγμα του κυλίνδρου.

Μετά, ξεσφίξτε το μπουλόνι με την εξάγ. κοίλη κεφαλή και βγάλτε το καπάκι του καλύμματος της σκόνης και στη συνέχεια προσαρμόστε το κάλυμμα της σκόνης σε μια κατάλληλη θέση ανάλογα με την εργασίας σας. (Εικ. 16)

## ΣΥΝΤΗΡΗΣΗ

### ΠΡΟΣΟΧΗ:

- Να βεβαιώνετε πάντοτε ότι το εργαλείο είναι σβηστό και αποσυνδεδεμένο από το ηλεκτρικό ρεύμα πριν εκτελέσετε οποιαδήποτε εργασία ελέγχου ή συντήρησης σε αυτό.

### Αλλαγή καρβουνακίων (Εικ. 17)

Να αφαιρείτε και να ελέγχετε τακτικά τα καρβουνάκια. Να αντικαθιστάτε τα καρβουνάκια όταν έχουν φθαρεί έως την ένδειξη του ορίου. Να διατηρείτε τα καρβουνάκια καθαρά και ελεύθερα για να γλιστρούν στις υποδοχές. Πρέπει να αλλάζετε ταυτόχρονα και τα δύο καρβουνάκια. Να χρησιμοποιείτε μόνο καρβουνάκια ίδιου τύπου.

Με τη βοήθεια ενός κατσαβιδιού, βγάλτε τα καπάκια υποδοχής για τα καρβουνάκια. Βγάλτε τα φθαρμένα καρβουνάκια, τοποθετήστε τα καινούργια και ασφαλίστε τα καπάκια υποδοχής για τα καρβουνάκια. (Εικ. 18)

Για να διατηρείται η ΑΣΦΑΛΕΙΑ και η ΑΞΙΟΠΙΣΤΙΑ του προϊόντος, οι εργασίες επισκευής, καθώς και οποιαδήποτε άλλη εργασία συντήρησης ή ρύθμισης, θα πρέπει να εκτελούνται σε εξουσιοδοτημένα κέντρα εξυπηρέτησης της Makita, και πάντοτε με τη χρήση ανταλλακτικών της Makita.

## ΑΞΕΣΟΥΑΡ

### ΠΡΟΣΟΧΗ:

- Συνιστάται η χρήση αυτών των αξεσουάρ ή εξαρτημάτων με το εργαλείο της Makita, όπως περιγράφεται στο παρόν εγχειρίδιο. Αν χρησιμοποιήσετε άλλα αξεσουάρ ή εξαρτήματα μπορεί να παρουσιαστεί κίνδυνος για πρόκληση ατομικού τραυματισμού. Να χρησιμοποιείτε τα αξεσουάρ και τα εξαρτήματα μόνο για το σκοπό για τον οποίο προορίζονται.

Αν χρειάζεστε κάποια βοήθεια ή περισσότερες πληροφορίες σχετικά με τα αξεσουάρ αυτά, απευθυνθείτε στο πλησιέστερο κέντρο εξυπηρέτησης της Makita.

- Έκκεντρος διαμαντένιος τροχός (Ξηρού τύπου)
- Ένωση γωνίας 32

Μοντέλο: **PC5000C, PC5001C**

Δηλώνουμε με αποκλειστική ευθύνη μας ότι το προϊόν αυτό συμμορφώνεται με τα ακόλουθα πρότυπα των τυποποιημένων εντύπων:

EN60745, EN55014, EN61000 σε συμφωνία με τις Οδηγίες της Επιτροπής, 2004/108/ΕΚ, 98/37/ΕΚ.

**CE2008**



Tomoyasu Kato  
Διευθυντής

Υπεύθυνος Κατασκευαστής:

**Makita Corporation**

3-11-8, Sumiyoshi-cho, Anjo, Aichi, JAPAN

Εξουσιοδοτημένος Αντιπρόσωπος στην Ευρώπη:

**Makita International Europe Ltd.**

Michigan Drive, Tongwell, Milton Keynes, Bucks MK15  
8JD, ENGLAND (ΑΓΓΛΙΑ)



Makita Corporation  
Anjo, Aichi, Japan

884876-998