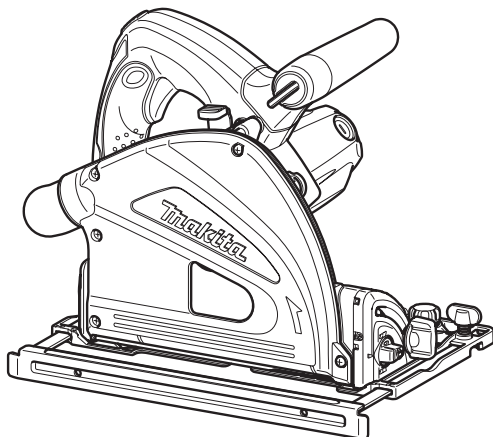
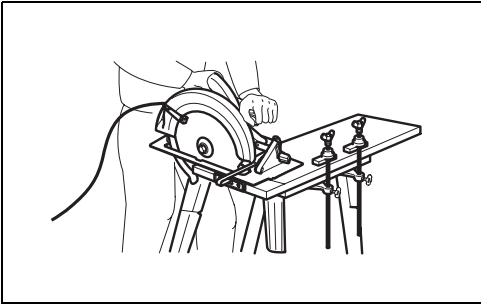


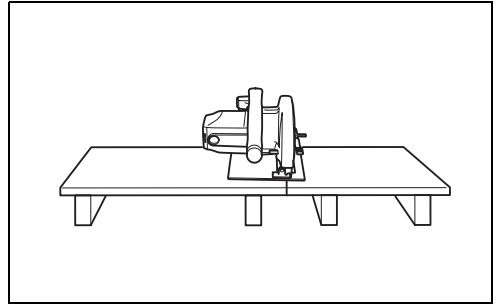
GB	Plunge Cut Circular Saw	Instruction manual
F	Scie circulaire plongeante	Manuel d'instructions
D	Tauchsäge	Betriebsanleitung
I	Sega circolare ad immersione	Istruzioni per l'uso
NL	Invalcirkelzaag	Gebruiksaanwijzing
E	Sierra de incisión	Manual de instrucciones
P	Serra Circular de Corte a Fundo	Manual de instruções
DK	Rundsav til indstikssnit	Brugsanvisning
S	Cirkelsåg för genomstickssågning	Bruksanvisning
N	Sirkelsag for innstikksaging	Bruksanvisning
FIN	Pyörösaha	Käyttöohje
GR	Διακοπίοιο βαθιάςκοπής	Οδηγίεςχρήσης

SP6000

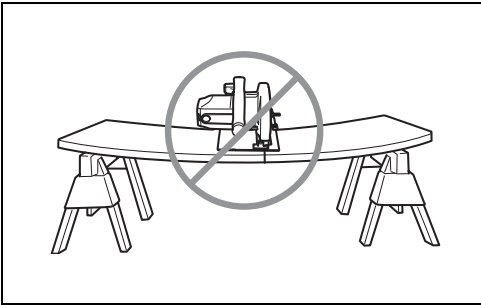




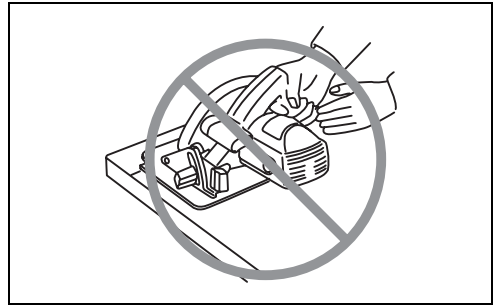
1



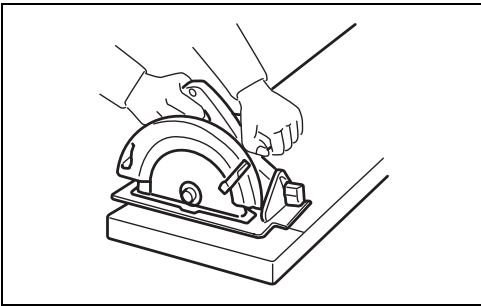
2



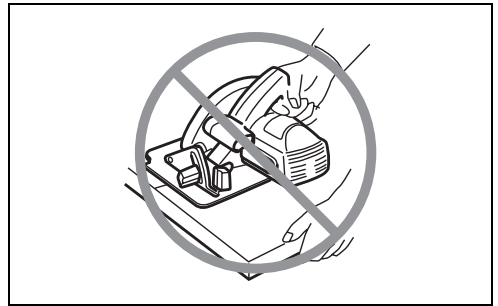
3



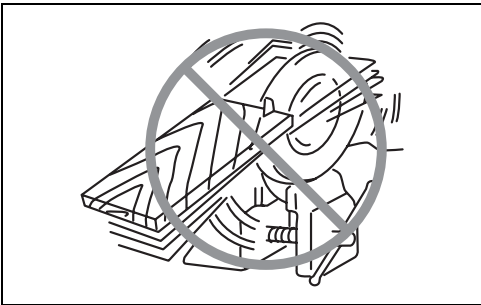
4



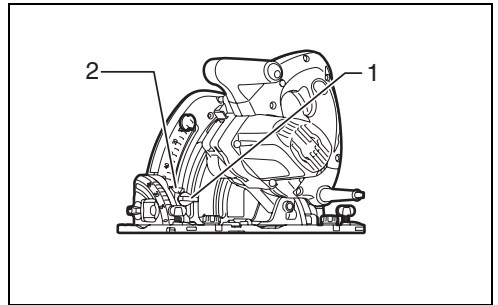
5



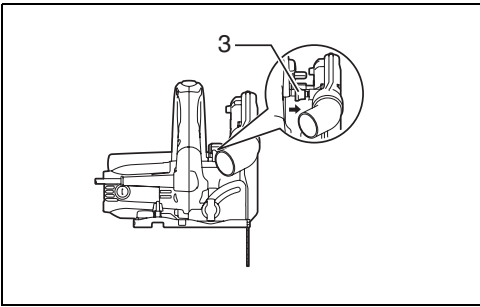
6



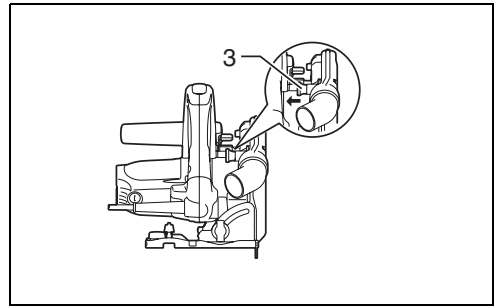
7



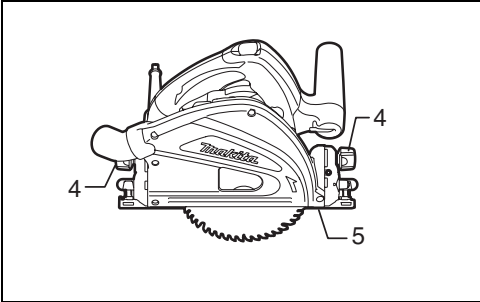
8



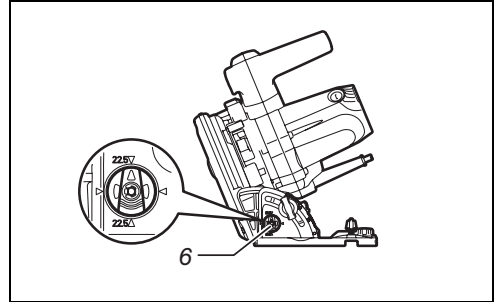
9



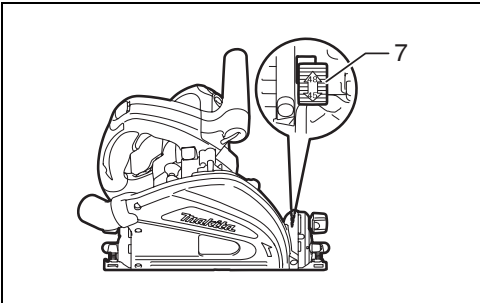
10



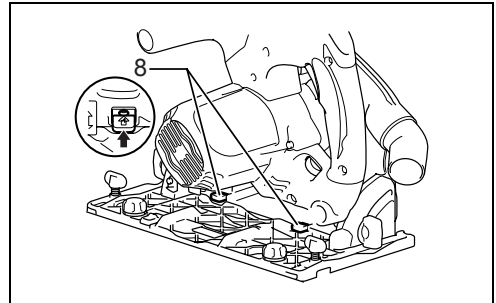
11



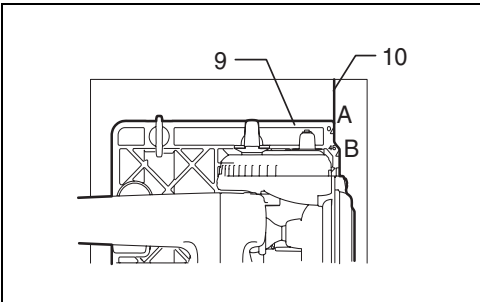
12



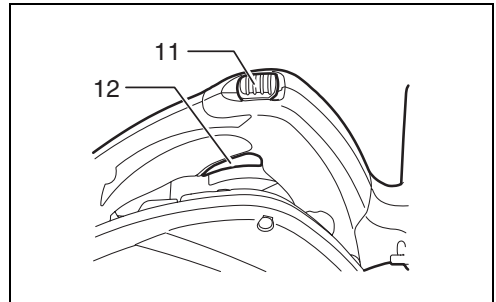
13



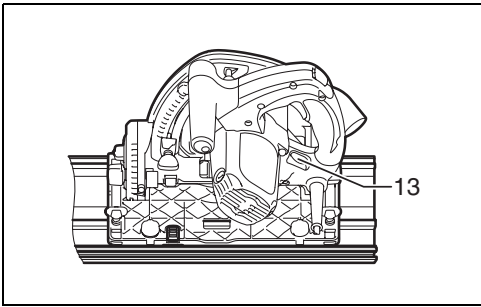
14



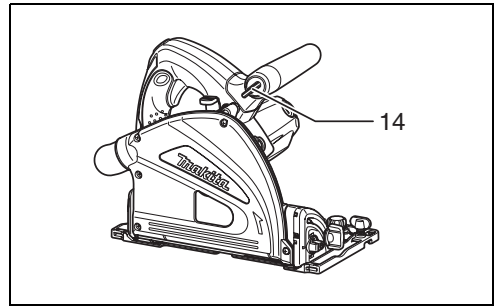
15



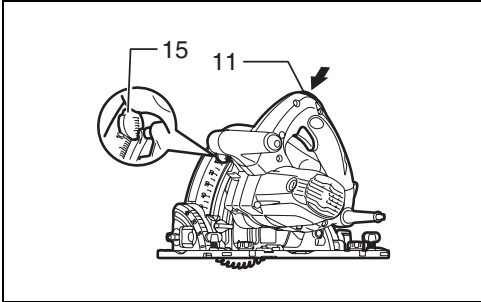
16



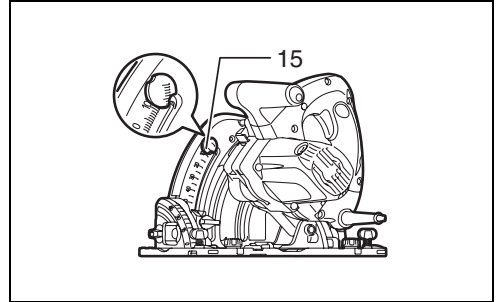
17



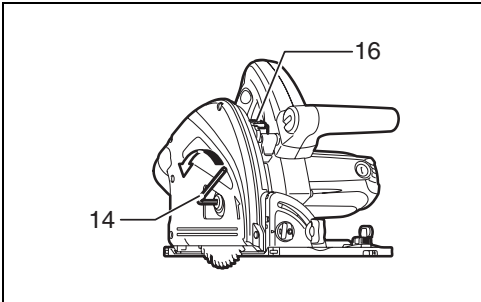
18



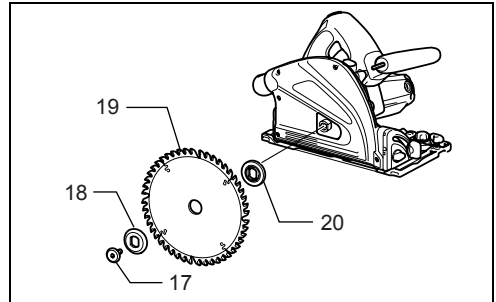
19



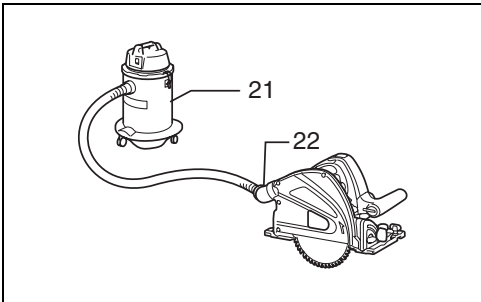
20



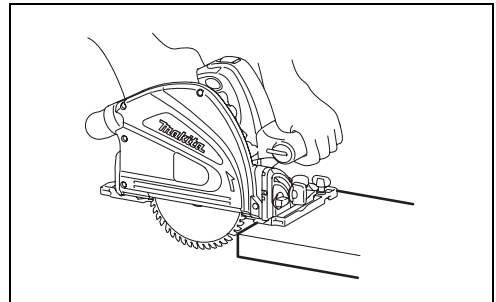
21



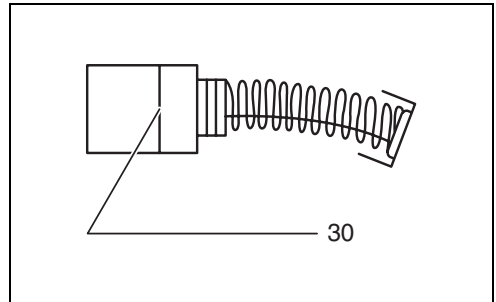
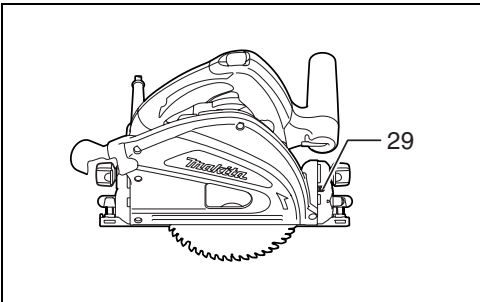
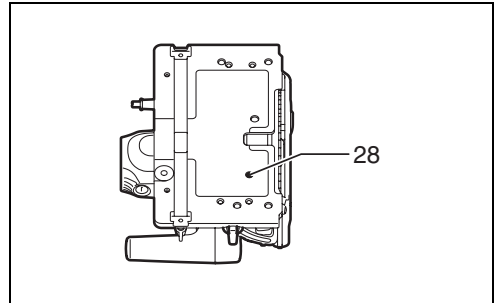
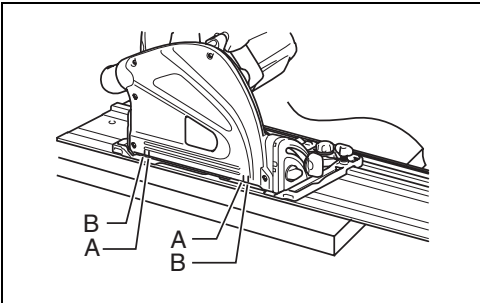
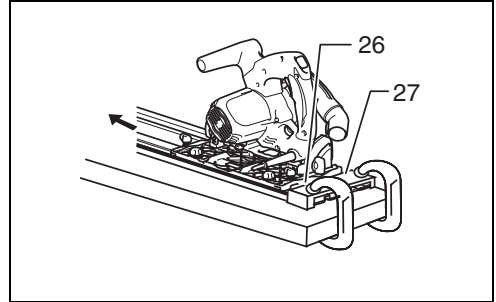
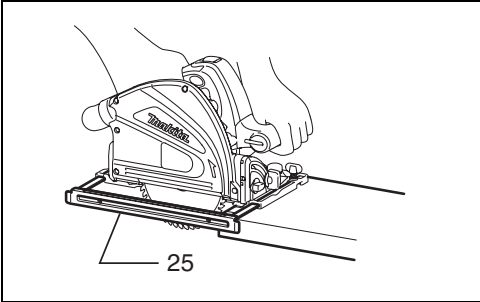
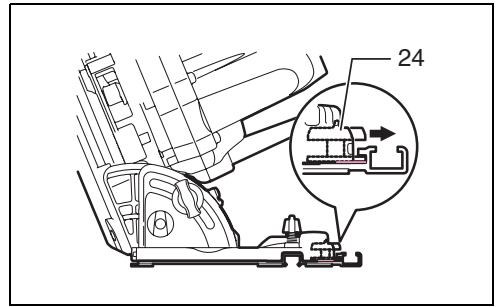
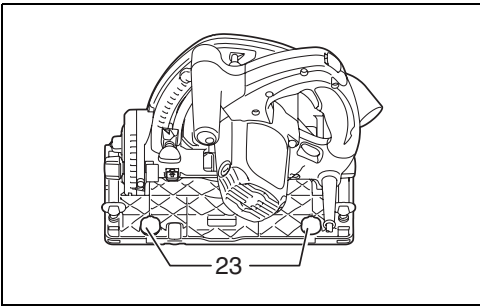
22

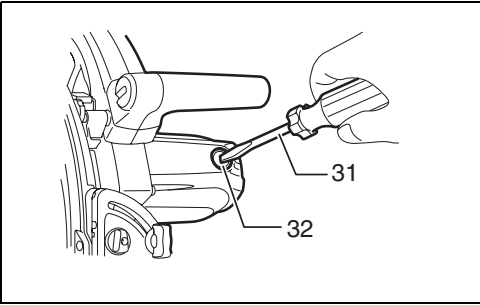


23



24





33

ENGLISH

Explanation of general view

- | | | |
|-------------------------------|--------------------------|-----------------------------|
| 1. Clamping screw | 12. Switch trigger | 23. Adjusting screws |
| 2. Blade lower limit stopper | 13. Speed adjusting dial | 24. Slide lever |
| 3. Quick stop button | 14. Hex wrench | 25. Rip fence (Guide rule) |
| 4. Clamping screws | 15. Locking lever | 26. Rear edge of tool base |
| 5. Tool base | 16. Shaft lock | 27. Fixed stop |
| 6. Positive stopper | 17. Hex bolt | 28. Adjusting screw for 90° |
| 7. Lever | 18. Outer flange | 29. Adjusting screw for 45° |
| 8. Bevel angle shifting lever | 19. Saw blade | 30. Limit mark |
| 9. Base | 20. Inner flange | 31. Screwdriver |
| 10. Cutting line | 21. Vacuum cleaner | 32. Brush holder cap |
| 11. Lock-off button | 22. Dust port | |

SPECIFICATIONS

Model		SP6000
Blade diameter		165 mm
Max. cutting depth	at 90°	56 mm
	at 45°	40 mm
	at 48°	38 mm
No load speed (min ⁻¹)		2,000 - 5,200
Overall length		341 mm
Net weight		4.1 kg
Safety class		□/II

- Due to our continuing programme of research and development, the specifications herein are subject to change without notice.
- Note: Specifications may differ from country to country.

Symbols

END201-2

The following show the symbols used for the equipment.

Be sure that you understand their meaning before use.



..... Read instruction manual.



..... DOUBLE INSULATION

Intended use

ENE067-1

The tool is specially intended for performing plunge cuts.

In addition, lengthways and crossways straight cuts and mitre cuts with angles in wood can also be performed while in firm contact with the workpiece.

Power supply

ENF002-1

The tool should be connected only to a power supply of the same voltage as indicated on the nameplate, and can only be operated on single-phase AC supply. They are double-insulated in accordance with European Standard and can, therefore, also be used from sockets without earth wire.

SPECIFIC SAFETY RULES

GEB031-1

DO NOT let comfort or familiarity with product (gained from repeated use) replace strict adherence to circular saw safety rules. If you use this tool unsafely or incorrectly, you can suffer serious personal injury. Danger:

- 1. Keep hands away from cutting area and the blade. Keep your second hand on auxiliary handle, or motor housing.** If both hands are holding the saw, they cannot be cut by the blade.
- 2. Do not reach underneath the workpiece or tool base.** The guard cannot protect you from the blade below the workpiece. Do not attempt to remove cut material when blade is moving.
CAUTION: Blades coast after turn off. Wait until blade stops before grasping cut material.
- 3. Adjust the cutting depth to the thickness of the workpiece.** Less than a full tooth of the blade teeth should be visible below the workpiece.
- 4. Never hold piece being cut in your hands or across your leg. Secure the workpiece to stable platform.** It is important to support the work properly to minimize body exposure, blade binding, or loss of control.

A typical illustration of proper hand support, workpiece support, and supply cord routing (if applicable). (Fig. 1)

5. **Hold power tool by insulated gripping surfaces when performing an operation where the cutting tool may contact hidden wiring or its own cord.** Contact with a "live" wire will also make exposed metal parts of the power tool "live" and shock the operator.
6. **When ripping always use a rip fence or straight edge guide.** This improves the accuracy cut and reduces the chance of blade binding.
7. **Always use blades with correct size and shape (diamond versus round) of arbour holes.** Blades that do not match the mounting hardware of the saw will run eccentrically, causing loss of control.
8. **Never use damaged or incorrect blade washers or bolt.** The blade washers and bolt were specially designed for your saw, for optimum performance and safety of operation.

9. **Causes and Operator Prevention of Kickback:**
 - kickback is a sudden reaction to a pinched, bound or misaligned saw blade, causing an uncontrolled saw to lift up and out of the workpiece toward the operator;
 - when the blade is pinched or bound tightly by the kerf closing down, the blade stalls and the motor reaction drives the unit rapidly back toward the operator;
 - if the blade becomes twisted or misaligned in the cut, the teeth at the back edge of the blade can dig into the top surface of the wood causing the blade to climb out of the kerf and jump back toward the operator.

Kickback is the result of saw misuse and/or incorrect operating procedures or conditions and can be avoided by taking proper precautions as given below.

- **Maintain a firm grip with both hands on the saw and position your arms to resist kickback forces. Position your body to either side of the blade, but not in line with the blade.** Kickback could cause the saw to jump backwards, but kickback forces can be controlled by the operator, if proper precautions are taken.
- **When blade is binding, or when interrupting a cut for any reason, release the trigger and hold the saw motionless in the material until the blade comes to a complete stop. Never attempt to remove the saw from the work or pull the saw backward while the blade is in motion or kickback may occur.** Investigate and take corrective actions to eliminate the cause of blade binding.
- **When restarting a saw in the workpiece, centre the saw blade in the kerf and check that saw teeth are not engaged into the material.** If saw blade is binding, it may walk up or kickback from the workpiece as the saw is restarted.
- **Support large panels to minimise the risk of blade pinching and kickback.** Large panels tend to sag under their own weight. Supports must be placed under the panel on both sides, near the line of cut and near the edge of the panel.

To minimize the risk of blade pinching and kickback. When cutting operation requires the resting of the saw

on the workpiece, the saw should be rested on the larger portion and the smaller piece cut off.

To avoid kickback, do support board or panel near the cut. (Fig. 2)

Do not support board or panel away from the cut. (Fig. 3)

- **Do not use dull or damaged blades.** Unsharpened or improperly set blades produce narrow kerf causing excessive friction, blade binding and kickback. Keep blade sharp and clean. Gum and wood pitch hardened on blades slows saw and increases potential for kickback. Keep blade clean by first removing it from tool, then cleaning it with gum and pitch remover, hot water or kerosene. Never use gasoline.
- **Blade depth and bevel adjusting locking levers must be tight and secure before making cut.** If blade adjustment shifts while cutting, it may cause binding and kickback.
- **Use extra caution when making a "plunge cut" into existing walls or other blind areas.** The protruding blade may cut objects that can cause kickback.
- **ALWAYS hold the tool firmly with both hands. NEVER place your hand, leg or any part of your body under the tool base or behind the saw, especially when making cross-cuts.** If kickback occurs, the saw could easily jump backwards over your hand, leading to serious personal injury. (Fig. 4)
- **Never force the saw. Forcing the saw can cause uneven cuts, loss of accuracy, and possible kickback.** Push the saw forward at a speed so that the blade cuts without slowing.

10. **Check guard for proper closing before each use. Do not operate the saw if guard does not move freely and enclose the blade instantly. Never clamp or tie the guard with the blade exposed.** If saw is accidentally dropped, guard may be bent. Check to make sure that guard moves freely and does not touch the blade or any other part, in all angles and depths of cut.
11. **Check the operation and condition of the guard return spring. If the guard and the spring are not operating properly, they must be serviced before use.** Guard may operate sluggishly due to damaged parts, gummy deposits, or a build-up of debris.
12. **Assure that the guide plate of the saw will not shift while performing the "plunge cut" when the blade bevel setting is not at 90°.** Blade shifting sideways will cause binding and likely kick back.
13. **Always observe that the guard is covering the blade before placing saw down on bench or floor.** An unprotected, coasting blade will cause the saw to walk backwards, cutting whatever is in its path. Be aware of the time it takes for the blade to stop after switch is released.
14. **Use extra caution when cutting damp wood, pressure treated lumber, or wood containing knots.** Adjust speed of cut to maintain smooth advancement of tool without decrease in blade speed.

15. **Avoid Cutting Nails.** Inspect for and remove all nails from lumber before cutting.
16. **Place the wider portion of the saw base on that part of the workpiece which is solidly supported, not on the section that will fall off when the cut is made.** As examples, Fig. 5 illustrates the **RIGHT** way to cut off the end of a board, and Fig. 6 the **WRONG** way. If the workpiece is short or small, clamp it down. **DO NOT TRY TO HOLD SHORT PIECES BY HAND!**
17. **Never attempt to saw with the circular saw held upside down in a vise. This is extremely dangerous and can lead to serious accidents.** (Fig. 7)
18. **Some material contains chemicals which may be toxic. Take caution to prevent dust inhalation and skin contact. Follow material supplier safety data.**
19. **Do not stop the blades by lateral pressure on the saw blade.**
20. **Always use blades recommended in this manual. Do not use any abrasive wheels.**
21. **Wear a dust mask and hearing protection when use the tool.**

SAVE THESE INSTRUCTIONS.

WARNING:

MISUSE or failure to follow the safety rules stated in this instruction manual may cause serious personal injury.

FUNCTIONAL DESCRIPTION

CAUTION:

- Always be sure that the tool is switched off and unplugged before adjusting or checking function on the tool.

Adjusting depth of cut (Fig. 8)

CAUTION:

- After adjusting the depth of cut, always tighten the clamping screw securely.

Loosen the clamping screw on the depth guide and move the blade lower limit stopper to the desired depth on the scale plate. At the desired depth of cut, tighten the clamping screw firmly.

For cleaner, safer cuts, set cut depth so that no more than one blade tooth projects below workpiece. Using proper cut depth helps to reduce potential for dangerous KICKBACKS which can cause personal injury.

NOTE:

- Setting the blade lower limit stopper to the desired depth on the scale plate allows rough depth of cut. For accurate depth of cut, measure the actual protrusion of saw blade below the tool base.

Quick stop button for 2 to 3 mm depth of cut when using guide rail (accessory) (Fig. 9 & 10)

This tool has the quick stop button for 2 to 3 mm depth of cut on the gear housing aside the rear handle when using guide rail. This is used when avoiding splinter on the workpiece in the cut. Make a pass of the 2 to 3 mm first cut and then make another pass of usual cut.

To obtain the 2 to 3 mm depth of cut, push in the stop button toward the saw blade. This is convenient for avoiding splinter on the workpiece.

To release the depth of cut from this position for free depth of cut, just pull the button back.

Bevel cutting (Fig. 11)

Tilting to the right (Fig. 12 & 13)

Turn the positive stopper so that the arrow on it points one of two positions (vertical for 22.5°, horizontal for 45°).

Loosen the clamping screws in front and back. Then, tilt the tool base until it stops and secure the base with the clamping screws.

To get 48° bevel angle, move the lever to 48° marking as far as it will go. Turn the positive stopper so that the arrow on it points to the horizontal position. Then, tilt the tool base until it stops and secure the base with the clamping screws.

Tilting to the left (Fig. 14)

The tool can be tilted to the left 1° bevel angle. To get the left 1° bevel angle, loosen the clamping screws in front and back, tilt the tool handle slightly to the right and push two bevel angle shifting levers at the same time in the direction of arrow which has a marking -1. And then tilt the tool handle to the left while pushing these two levers at the same time. Secure the base with the clamping screws.

NOTE:

- Returning the blade to the right angle makes the shifting lever return to 0° by itself.

Sighting (Fig. 15)

When using the tool without guide rail (accessory)

For straight cuts, align the A position on the front of the base with your cutting line. For 45° bevel cuts, align the B position with it.

When using the tool with guide rail (accessory)

For both straight cuts and 45° bevel cuts, always align the A position on the front of the base with your cutting line.

Switch action (Fig. 16)

CAUTION:

- Before plugging in the tool, always check to see that the switch trigger actuates properly and returns to the "OFF" position when released.

To prevent the switch trigger from being accidentally pulled, a lock-off button is provided. To start the tool, push in the lock-off button and pull the switch trigger.

Release the switch trigger to stop.

Speed adjusting dial (Fig. 17)

The tool speed can be infinitely adjusted between 2,000 and 5,200 rotations per minute by turning the adjusting dial. Higher speed is obtained when the dial is turned in the direction of number 6; lower speed is obtained when it is turned in the direction of number 1.

Refer to the table to select the proper speed for the workpiece to be cut. However, the appropriate speed may differ with the type or thickness of the workpiece. In general, higher speeds will allow you to cut workpieces faster but the service life of the blade will be reduced.

Number	min ⁻¹
1	2,000
2	2,200
3	3,100
4	4,000
5	4,900
6	5,200

CAUTION:

- The speed adjusting dial can be turned only as far as 6 and back to 1. Do not force it past 6 or 1, or the speed adjusting function may no longer work.
- The speed adjusting dial is not for using low speed rated saw blades but for obtaining a speed which is suitable to material of workpiece. Use only saw blades which are rated for at least 5,200 min⁻¹.

The tools equipped with electronic function are easy to operate because of the following features.

Overload protector

When the tool is overloaded and current flows above a certain level, the tool automatically stops to protect motor.

Constant speed control

Electronic speed control for obtaining constant speed. Possible to get fine finish, because the rotating speed is kept constant even under load condition.

Soft start feature

Soft start because of suppressed starting shock.

ASSEMBLY

CAUTION:

- Always be sure that the tool is switched off and unplugged before carrying out any work on the tool.

Hex wrench storage (Fig. 18)

Hex wrench is stored on the tool. To remove hex wrench, just pull it out.

To install hex wrench, place it on the grip and insert it as far as it will go.

Removing or installing saw blade

CAUTION:

- Do not use saw blades which do not comply with the characteristics specified in these instructions.
- Use only saw blades which are rated for at least 5,200 min⁻¹.

- Be sure the blade is installed with teeth pointing up at the front of the tool.
- Use only the Makita wrench to install or remove the blade.

To remove the blade, push in the lock-off button to unlock the upper limit stopper. (Fig. 19)

Turn the locking lever to lock the saw head for replacing a blade. (Fig. 20)

With the lock-off button depressed and the locking lever turned, lower the handle so that the lock pin fits in the groove formed by the locking lever and the depth guide with scale plate. Make sure that the lock pin fits in the groove.

Press the shaft lock fully so that the blade cannot revolve and use the wrench to loosen the hex bolt counterclockwise. Then remove the hex bolt, outer flange and blade. (Fig. 21)

To install the blade, follow the removal procedure in reverse. BE SURE TO TIGHTEN THE HEX BOLT CLOCKWISE SECURELY. (Fig. 22)

Connecting a vacuum cleaner (Fig. 23)

When you wish to perform clean cutting operation, connect a Makita vacuum cleaner to your tool. Connect a hose of the vacuum cleaner to the dust port as shown in the figure.

OPERATION

Section cutting (ordinary sawing) (Fig. 24)

CAUTION:

- Be sure to move the tool forward in a straight line gently. Forcing or twisting the tool will result in overheating the motor and dangerous kickback, possibly causing severe injury.
- Never approach any part of your body under the tool base when section cutting, especially at starting. Doing so may cause serious personal injuries. The blade is exposed under the tool base.

Hold the tool firmly. The tool is provided with both a front grip and rear handle. Use both to best grasp the tool. If both hands are holding saw, they cannot be cut by the blade. Set the front of base on the workpiece to be cut without the blade making any contact. Then push in the lock-off button and turn the tool on and wait until the blade attains full speed. Now press down the saw head slowly to the preset depth of cut and simply move the tool forward over the workpiece surface, keeping it flat and advancing smoothly until the sawing is completed.

To get clean cuts, keep your sawing line straight and your speed of advance uniform. If the cut fails to properly follow your intended cut line, do not attempt to turn or force the tool back to the cut line. Doing so may bind the blade and lead to dangerous kickback and possible serious injury. Release switch, wait for blade to stop and then withdraw tool. Realign tool on new cut line, and start cut again. Attempt to avoid positioning which exposes operator to chips and wood dust being ejected from saw. Use eye protection to help avoid injury.

When using with guide rail (accessory) (Fig. 25 & 26)

Place the tool on the rear end of guide rail. Turn two adjusting screws on the tool base so that the tool slides smoothly without a clatter. Hold the tool firmly. The tool is provided with both a front grip and rear handle. Use both to best grasp the tool. Turn on the tool, press down the tool to the preset depth of cut and cut the splinterguard along the full length with a stroke. The edge of the splinterguard corresponds to the cutting edge.

When bevel cutting with the guide rail, slide the slide lever on the tool base so that the tool does not fall down on its side.

Move the slide lever on the tool base in the direction of arrow so that it engages the undercut groove in the guide rail.

Rip fence (guide rule) (Accessory) (Fig. 27)

The handy rip fence allows you to do extra-accurate straight cuts. Simply slide the rip fence up snugly against the side of the workpiece and secure it in position with the screws on the front and the back of the base. It also makes repeated cuts of uniform width possible.

Overturning the rip fence (guide rule) also works as a sub base for the tool.

Plunge cutting (Cutting-out) (Fig. 28)

WARNING:

- To avoid a kickback, be sure to observe the following instructions.

When using the tool without guide rail

Place the tool on the workpiece with the rear edge of tool base against a fixed stop or equivalent which is devised by an operator.

When using the tool with guide rail

Place the tool on the guide rail with the rear edge of tool base against a fixed stop or equivalent which is clamped on the guide rail.

Hold the tool firmly with one hand on the front grip and the other on the tool handle. Then push in the lock-off button and turn the tool on and wait until the blade attains full speed. Now press down the saw head slowly to the preset depth of cut and simply move the tool forward to the desired plunge position.

NOTE:

- The markings on the side of the blade guard show the absolute front and the absolute rear cutting points of the saw blade (A for diameter 160 mm and B for diameter 165 mm) at the maximum cutting depth and using the guide rail. (Fig. 29)

Guide device (accessories)

Use of the miter gauge (accessory) allows exact miter cuts with angles and fitting works.

Use of the clamp (accessory) ensures firm hold of workpiece on the table.

MAINTENANCE

CAUTION:

- Always be sure that the tool is switched off and unplugged before attempting to perform inspection or maintenance.

Adjusting for accuracy of 90° and 45° cut (vertical and 45° cut) (Fig. 30 & 31)

This adjustment has been made at the factory. But if it is off, adjust the adjusting screws with a hex wrench while inspecting 90° or 45° the blade with the base using a triangular rule or square rule, etc.

NOTE:

- Adjusting for accuracy of 22.5°, 48° and -1° cut cannot be performed.

Replacing carbon brushes (Fig. 32 & 33)

Remove and check the carbon brushes regularly. Replace when they wear down to the limit mark. Keep the carbon brushes clean and free to slip in the holders. Both carbon brushes should be replaced at the same time. Use only identical carbon brushes.

Use a screwdriver to remove the brush holder caps. Take out the worn carbon brushes, insert the new ones and secure the brush holder caps.

To maintain product SAFETY and RELIABILITY, repairs, any other maintenance or adjustment should be performed by Makita Authorized Service Centers, always using Makita replacement parts.

ACCESSORIES

CAUTION:

- These accessories or attachments are recommended for use with your Makita tool specified in this manual. The use of any other accessories or attachments might present a risk of injury to persons. Only use accessory or attachment for its stated purpose.

If you need any assistance for more details regarding these accessories, ask your local Makita Service Center.

- Saw blades
- Guide rail
- Rip fence (Guide rule)
- Miter gauge
- Clamp
- Hex wrench
- Sheet set for guide rail
- Rubber sheet set for guide rail
- Position sheet set for guide rail

Descriptif

- | | | |
|--|---|--|
| 1. Vis de serrage | 12. Gâchette | 24. Levier à glissière |
| 2. Butée de limite inférieure de la lame | 13. Cadran de réglage de la vitesse | 25. Garde parallèle (règle de guidage) |
| 3. Bouton de butée rapide | 14. Clé hexagonale | 26. Bord arrière de la base de l'outil |
| 4. Vis de serrage | 15. Levier de verrouillage | 27. Arrêt fixe |
| 5. Base de l'outil | 16. Blocage de l'arbre | 28. Vis de réglage 90° |
| 6. Butée positive | 17. Boulon hexagonal | 29. Vis de réglage 45° |
| 7. Levier | 18. Flasque extérieur | 30. Repère d'usage |
| 8. Levier de commande de l'angle de biseau | 19. Lame | 31. Tournevis |
| 9. Socle | 20. Flasque intérieur | 32. Bouchon de porte-charbon |
| 10. Ligne de coupe | 21. Aspirateur | |
| 11. Bouton de sécurité | 22. Raccord de sortie pour la poussière | |
| | 23. Vis de réglage | |

SPÉCIFICATIONS

Modèle		SP6000
Diamètre de la lame		165 mm
Profondeur de coupe max.	à 90°	56 mm
	à 45°	40 mm
	à 48°	38 mm
Vitesse à vide (min ⁻¹)		2 000 - 5 200
Longueur totale		341 mm
Poids net		4,1 kg
Niveau de sécurité		II/II

- Étant donné l'évolution constante de notre programme de recherche et de développement, les spécifications contenues dans ce manuel sont sujettes à des modifications sans préavis.
- Remarque : Les spécifications peuvent varier d'un pays à l'autre.

Symboles

END201-2

Les symboles utilisés pour l'outil sont indiqués ci-dessous.

Assurez-vous d'avoir bien compris leur signification avant d'utiliser l'outil.



..... Reportez-vous au manuel d'instructions.



..... DOUBLE ISOLATION

Utilisations

ENE067-1

L'outil est conçu spécialement pour effectuer des coupes en plongée.

Des coupes droites en longueur et transversales et des coupes angulaires dans le bois peuvent aussi être effectuées en maintenant un contact ferme avec la pièce à travailler.

Alimentation

ENF002-1

L'outil ne doit être raccordé qu'à une alimentation de la même tension que celle qui figure sur la plaque signalétique, et il ne peut fonctionner que sur un courant secteur monophasé. Réalisé avec une double isolation, il est conforme à la réglementation européenne et peut de ce fait être alimenté sans mise à la terre.

CONSIGNES DE SÉCURITÉ SPÉCIFIQUES

GEB031-1

NE vous laissez PAS tromper (au fil d'une utilisation répétée) par un sentiment d'aisance et de familiarité avec l'appareil, en négligeant le respect rigoureux des consignes de sécurité qui accompagnent la scie circulaire. En utilisant cet outil dans des conditions dangereuses ou incorrectes, vous vous exposez à un risque de blessure grave.

Danger :

- 1. Gardez vos mains à l'écart de la zone de coupe et de la lame. Laissez votre deuxième main sur la poignée auxiliaire ou le carter du moteur.** Vous ne risquez pas de vous coupez les mains si vous les utilisez toutes les deux pour tenir la scie.
- 2. Ne placez aucune partie de votre corps sous la pièce à travailler ou la base de l'outil.** Le protecteur ne peut pas vous protéger contre la lame sous la pièce à travailler. N'essayez pas de retirer le matériau coupé pendant que la lame tourne.
ATTENTION : La lame continue de tourner même une fois le contact coupé. Attendez l'arrêt total de la lame avant de saisir le matériel coupé.
- 3. Réglez la profondeur de coupe suivant l'épaisseur de la pièce à travailler.** La partie de la lame visible

sous la pièce à travailler doit être moindre qu'une dent de lame complète.

4. Ne tenez jamais la pièce avec les mains ou contre la jambe. Immobilisez la pièce contre une surface stable.

Il est important que la pièce soit soutenue correctement pour minimiser l'exposition du corps, les pincements de lame et les pertes de maîtrise.

Exemple typique d'une bonne prise, d'une pièce bien soutenue, et du placement correct du cordon d'alimentation (si applicable). (Fig. 1)

5. Saisissez l'outil électrique par ses surfaces de poigne isolées lorsque vous effectuez une opération au cours de laquelle la lame de l'outil peut entrer en contact avec des fils cachés ou avec son cordon d'alimentation.

Tout contact avec un fil sous tension mettra également sous tension les parties métalliques exposées de l'outil électrique et pourra causer un choc électrique à l'utilisateur.

6. Lors du sciage en long utilisez toujours un garde parallèle ou un guide de coupe rectiligne. La coupe sera plus précise et cela réduira les risques de pincement de la lame.

7. Utilisez toujours des lames dont l'orifice central est de taille et de forme appropriée (diamantée ou circulaire). Si la lame utilisée n'est pas conçue pour la scie, elle tournera de manière excentrique, et pourra causer une perte de maîtrise de l'outil.

8. N'utilisez jamais de rondelles ou boulons endommagés ou inadéquats pour fixer la lame.

Les rondelles et le boulon ont été conçus exclusivement pour votre scie, afin d'assurer une performance optimale et une utilisation sûre.

9. Causes de chocs en retour et mesures préventives :

- Un choc en retour est une réaction soudaine de l'outil lorsque la lame est coincée, pincée ou désalignée. La scie, hors de contrôle, est repoussée de la pièce de travailler dans la direction de l'utilisateur.
- Lorsque la lame se coince ou est pincée par le trait de scie qui se referme sur elle, la lame se bloque et la réaction du moteur fait reculer rapidement l'outil en direction de l'utilisateur.
- Si la lame se tord ou se désaligne par rapport à la ligne de coupe, les dents arrières risquent de creuser la surface supérieure du bois : la lame risque alors de sortir du trait de scie et de ressauter vers l'utilisateur.

Un choc en retour est dû à une mauvaise utilisation de l'outil et/ou à des procédures ou conditions de travail inappropriées. Il peut être évité en prenant des mesures appropriées, comme indiqué ci-dessous.

- **Maintenez fermement la scie avec les deux mains, et placez vos bras de sorte qu'ils puissent résister à la force d'un choc en retour. Placez-vous d'un côté ou de l'autre de la lame, jamais dans sa ligne de coupe.** Le choc en retour peut faire ressauter la scie vers l'arrière, mais l'utilisateur pourra alors maîtriser la force du choc en retour s'il prend les précautions nécessaires.

- **Si la lame se pince ou si vous interrompez la coupe pour une raison quelconque, relâchez la gâchette et maintenez la scie immobile dans le matériau jusqu'à l'arrêt complet de la lame. N'essayez jamais de retirer la scie de la pièce ou de la faire reculer lorsque que la lame tourne, pour éviter un choc en retour.** Identifiez les causes d'un pincement de la lame et prenez les mesures correctives pour les éliminer.
- **Avant de redémarrer la scie dans la pièce, centrez la lame dans le trait de scie et assurez-vous que les dents ne pénètrent pas dans le matériau.** Si la lame se pince au moment du redémarrage de l'outil, elle risque de ressortir du trait ou de causer un choc en retour.
- **Placez un dispositif de soutien sous les grandes pièces pour réduire les risques de pincement et de choc en retour.** Les panneaux de grande dimension ont tendance à s'affaisser sous leur propre poids. Des dispositifs de soutien doivent être installés sous le panneau, de chaque côté, près de la ligne de coupe et près des bords du panneau.

Pour réduire les risques de pincement de la lame et de choc en retour. Si la scie doit reposer contre la pièce pendant la coupe, elle doit être placée sur le côté le plus large de la pièce de sorte que la petite partie de la pièce se détache lors de la coupe.

Pour éviter les chocs en retour, assurez un soutien à la planche ou au panneau près de la ligne de coupe. (Fig. 2)

Ne placez pas le dispositif de soutien de la planche ou du panneau loin de la ligne de coupe. (Fig. 3)

- **N'utilisez pas des lames émoussées ou mal fixées produisant un trait de scie étroit, entraînant une friction excessive, le pincement de la lame et un choc en retour.** Maintenez la lame bien affûtée et propre. Les dépôts de résine et les copeaux de bois qui durcissent contre la lame ralentissent la scie et entraînent une augmentation des risques de choc en retour. Pour nettoyer la lame, retirez-la d'abord de l'outil, puis nettoyez-la avec un décapant, de l'eau chaude ou du kérosène. N'utilisez jamais d'essence.
- **Les leviers de verrouillage de la profondeur de coupe et du réglage de coupe en biseau doivent être serrés de manière ferme et sûre avant de procéder à la coupe.** Il y a un risque de pincement et de choc en retour si les réglages de la lame changent pendant la coupe.
- **Soyez extrêmement prudent lorsque vous effectuez une coupe en plongée dans un mur ou toute autre surface derrière laquelle peuvent se trouver des objets non visibles.** La lame, après avoir traversé la surface, peut entrer en contact avec ces objets et causer un choc en retour.
- **Tenez TOUJOURS l'outil fermement à deux mains. Ne placez jamais votre main, votre**

- jambe, ou tout autre part de votre corps sous la base de l'outil ou derrière la scie, particulièrement en effectuant des coupes transversales. En cas de choc en retour, l'outil pourrait facilement ressauter et passer sur votre main, vous infligeant des blessures graves. (Fig. 4)
- **Ne forcez jamais la scie. Le fait de forcer la scie peut résulter en des coupes inégales, une perte de précision et un choc en retour.** Faites avancer la scie à une vitesse permettant à la lame de tourner sans ralentir.
10. **Avant chaque utilisation, assurez-vous que le carter de protection se ferme bien. N'utilisez pas la scie si le carter de protection ne se déplace pas librement et ne recouvre pas la lame. Évitez d'immobiliser ou de fixer le carter de protection avec la lame exposée.** Le carter de protection risque d'être plié si vous laissez tomber la scie par accident. Vérifiez que le carter de protection se déplace librement, et qu'il n'entre pas en contact avec la lame ou tout autre partie, quel que soit l'angle ou la profondeur de la coupe.
 11. **Vérifiez le fonctionnement et l'état du ressort du carter de protection. Le carter de protection et le ressort doivent être réparés avant l'utilisation s'ils ne fonctionnent pas correctement.** Le fonctionnement du carter de protection peut être ralenti par des pièces endommagées, des dépôts gluants ou l'accumulation de débris.
 12. **Assurez-vous que la plaque de guidage de la scie ne se déplace pas en effectuant une coupe en plongée quand le réglage en biseau de la lame n'est pas à 90°.** Une lame se déplaçant sur le côté peut se pincer et créer un choc en retour.
 13. **Assurez-vous toujours que le carter de protection recouvre la lame avant de poser la scie sur l'établi ou le plancher.** La scie risque de se déplacer vers l'arrière et couper tout ce qui se trouve sur sa trajectoire si la lame n'est pas recouverte et tourne encore. N'oubliez pas qu'il faut un certain temps avant que la lame ne s'arrête une fois la gâchette relâchée.
 14. **Soyez encore plus prudent pour couper du bois mouillé, du bois traité sous pression ou du bois qui contient des nœuds.** Réglez la vitesse de coupe de sorte que l'outil progresse sans à-coups et que la lame tourne à vitesse constante.
 15. **Évitez de couper des clous. Vérifiez le bois et retirez tous les clous avant de travailler.**
 16. **Placez la partie la plus large du socle de la scie sur la partie de la pièce qui est solidement soutenue, non sur celle qui tombera une fois la coupe terminée. Par exemple, la figure 5 illustre la manière CORRECTE de couper l'extrémité d'une planche, et la figure 6 la manière INCORRECTE. Si la pièce est courte ou petite, fixez-la dans un dispositif de serrage. N'ESSAYEZ JAMAIS PAS DE MAINTENIR LES PETITES PIÈCES AVEC LA MAIN !**
 17. **N'essayez jamais de scier en plaçant la scie circulaire à l'envers dans un étai. Ceci est extrêmement dangereux et peut causer des accidents graves. (Fig. 7)**
 18. **Certains matériaux contiennent des produits chimiques qui peuvent être toxiques. Prenez les précautions nécessaires pour ne pas inhaler les poussières qu'ils dégagent et pour éviter tout contact avec la peau. Observez les consignes de sécurité du fabricant.**
 19. **N'appliquez jamais une pression latérale sur la lame pour l'arrêter.**
 20. **Utilisez toujours les lames spécifiées dans ce manuel. N'utilisez pas de disques abrasifs.**
 21. **Portez un masque antipoussières et un protecteur d'oreille lorsque vous utilisez l'outil.**

CONSERVEZ CES INSTRUCTIONS.

AVERTISSEMENT :

Une UTILISATION INCORRECTE de l'outil ou un non-respect des consignes de sécurité indiquées dans ce manuel d'instructions peuvent causer des blessures graves.

DESCRIPTION DU FONCTIONNEMENT

ATTENTION :

- Assurez-vous toujours que l'outil est éteint et débranché avant de l'ajuster ou de vérifier son fonctionnement.

Ajuster la profondeur de coupe (Fig. 8)

ATTENTION :

- Après avoir ajusté la profondeur de coupe, resserrez toujours fermement la vis de serrage.

Desserrez la vis de serrage sur le guide de sciage et déplacez la butée de limite inférieure de la lame à la profondeur désirée sur la plaque du secteur. À la profondeur de coupe désirée, resserrez fermement la vis de serrage.

Pour obtenir des coupes plus propres et les effectuer de manière plus sûre, réglez la profondeur de coupe de sorte que pas plus d'une dent de la lame ne dépasse sous la pièce. Une profondeur de coupe adéquate aide à réduire les risques de dangereux CHOCS EN RETOUR et de blessures graves.

NOTE :

- Ajuster la butée de limite inférieure de la lame à la profondeur désirée sur la plaque du secteur permet une profondeur de coupe grossière. Pour une profondeur de coupe précise, mesurez la saillie réelle de la lame de la scie sous la base de l'outil.

Bouton de butée rapide pour une profondeur de coupe de 2 à 3 mm en utilisant le rail de guidage (accessoire) (Fig. 9 et 10)

Cet outil à un bouton de butée rapide près de la poignée arrière pour une profondeur de coupe de 2 à 3 mm en utilisant un rail de guidage. Ceci est utilisé pour éviter des

éclats dans la coupe de la pièce à travailler. Effectuez tout d'abord une passe de coupe de 2 à 3 mm, puis effectuez la passe de coupe normale.

Pour obtenir une profondeur de coupe de 2 à 3 mm, poussez le bouton de butée vers la lame de la scie. Ceci est pratique pour éviter des éclats dans la pièce.

Pour changer la profondeur de coupe de cette position à la position de profondeur normale, tirez simplement le bouton vers l'arrière.

Coupe en biseau (Fig. 11)

Incliner vers la droite (Fig. 12 et 13)

Tournez la butée positive pour que sa flèche pointe vers l'une des deux positions (verticale pour 22,5°, horizontale pour 45°). Desserrez les vis de serrage à l'avant et l'arrière. Inclinez alors la base de l'outil jusqu'à l'arrêt et fixez la base avec les vis de serrage.

Pour obtenir un angle de biseau de 48°, déplacez le levier vers la marque 48° aussi loin que possible. Tournez la butée positive pour que sa flèche pointe vers la position horizontale. Inclinez alors la base de l'outil jusqu'à l'arrêt et fixez la base avec les vis de serrage.

Incliner vers la gauche (Fig. 14)

L'outil peut être incliné vers la gauche à un angle de biseau de 1°. Pour obtenir l'angle de biseau de 1° gauche, desserrez les vis de serrage à l'avant et l'arrière, inclinez la poignée de l'outil légèrement sur la droite et poussez les deux leviers de commande de l'angle de biseau en même temps dans la direction de la flèche avec une marque -1. Inclinez ensuite la poignée de l'outil sur la gauche tout en appuyant sur ces deux leviers en même temps. Fixez la base avec les vis de serrage.

NOTE :

- Le levier de commande retourne à la position 0° par lui-même lorsque la lame est retournée à l'angle correct.

Visée (Fig. 15)

En utilisant l'outil sans le rail de guidage (accessoire)

Pour les coupes rectilignes, alignez sur la ligne de coupe la position A à l'avant du socle. Pour les coupes en biseau de 45°, alignez la position B sur la ligne de coupe.

En utilisant l'outil avec le rail de guidage (accessoire)

Pour les coupes rectilignes et les coupes en biseau de 45°, alignez toujours sur la ligne de coupe la position A à l'avant du socle.

Interrupteur (Fig. 16)

ATTENTION :

- Avant de brancher l'outil, vérifiez toujours que la gâchette fonctionne correctement et revient en position d'arrêt (« OFF ») lorsqu'elle est relâchée.

Pour éviter tout déclenchement accidentel de la gâchette, l'outil est muni d'un bouton de sécurité. Pour faire démarrer l'outil, enfoncez le bouton de sécurité puis appuyez sur la gâchette.

Pour l'arrêter, relâchez la gâchette.

Cadran de réglage de la vitesse (Fig. 17)

Vous pouvez ajuster la vitesse de l'outil à l'infini sur une plage de 2000 et 5 200 rotations par minute en ajustant le cadran de réglage. La vitesse augmente lorsque le cadran est tourné vers le numéro 6 ; elle diminue lorsqu'il est tourné vers le numéro 1.

Consultez le tableau ci-dessous pour sélectionner la vitesse adéquate en fonction de la pièce à couper. La vitesse appropriée peut cependant différer avec le type ou l'épaisseur de la pièce. En général, une vitesse plus élevée permettra de couper les pièces plus rapidement mais la durée de service de la lame en sera réduite.

Numéro	min ⁻¹
1	2 000
2	2 200
3	3 100
4	4 000
5	4 900
6	5 200

ATTENTION :

- Le cadran de réglage de la vitesse ne peut être tourné que jusqu'aux positions 6 et 1. Ne le forcez pas au-delà des positions 6 ou 1, sinon la fonction du réglage de la vitesse risque de ne plus fonctionner.
- Le cadran de réglage de la vitesse n'est pas indiqué pour utiliser des lames de scie à faible vitesse, mais pour obtenir une vitesse convenant au matériel de la pièce à travailler. N'utilisez que des lames de scie spécifiées pour au moins 5 200 min⁻¹.

Les outils équipés avec une fonction électronique sont faciles à utiliser à cause des caractéristiques suivantes.

Disjoncteur de surcharge

Quand l'outil est surchargé et le courant passe au-dessus d'un certain niveau, l'outil s'arrête automatiquement pour protéger le moteur.

Contrôle de vitesse constante

Contrôle de vitesse électronique pour obtenir une vitesse constante. Possibilité d'obtenir une très bonne finition, parce que la vitesse de rotation reste constante même sous des conditions de charge.

Caractéristique de démarrage graduel

Le choc du démarrage est supprimé grâce au démarrage graduel.

ASSEMBLAGE

ATTENTION :

- Avant d'effectuer toute intervention sur l'outil, assurez-vous toujours qu'il est éteint et débranché.

Rangement de la clé hexagonale (Fig. 18)

La clé hexagonale est rangée dans l'outil, et peut être retirée facilement.

Pour installer la clé hexagonale, placez-la sur la poignée et insérez-la à fond.

Retrait ou pose de la lame

ATTENTION :

- N'utilisez pas des lames de scie qui ne sont pas conformes aux caractéristiques spécifiées dans ces instructions.
- N'utilisez que des lames de scie spécifiées pour au moins 5 200 min⁻¹.
- Assurez-vous que la lame est installée avec les dents orientées vers le haut à l'avant de l'outil.
- Utilisez exclusivement une clé Makita pour installer ou retirer la lame.

Pour retirer la lame, enfoncez le bouton de sécurité pour déverrouiller la butée de limite supérieure. (Fig. 19)

Tournez le levier de verrouillage pour verrouiller la tête porte-scie pour remplacer une lame. (Fig. 20)

Une fois le bouton de sécurité enfoncé et le levier de verrouillage tourné, abaissez la poignée pour que la broche de verrouillage se fixe dans la rainure formée par le levier de verrouillage et le guide de sciage avec la plaque du secteur. Assurez-vous que la broche de verrouillage se fixe dans la rainure.

Appuyez fermement sur le blocage de l'arbre de sorte que la lame ne puisse pas tourner, et desserrez le boulon hexagonal dans le sens inverse des aiguilles d'une montre à l'aide de la clé hexagonale. Retirez ensuite le boulon hexagonal, le flasque extérieur et la lame. (Fig. 21)

Pour poser la lame, suivez la procédure de retrait dans l'ordre inverse. ASSUREZ-VOUS DE RESSERER FERMEMENT LE BOULON HEXAGONAL EN TOURNANT DANS LE SENS DES AIGUILLES D'UNE MONTRE. (Fig. 22)

Raccordement à un aspirateur (Fig. 23)

Pour effectuer un travail plus propre, raccordez un aspirateur Makita à votre outil. Connectez ensuite le tuyau de l'aspirateur au raccord de sortie pour la poussière, comme illustré dans la figure.

UTILISATION

Coupe en section (sciage ordinaire) (Fig. 24)

ATTENTION :

- Assurez-vous de faire avancer l'outil doucement, en ligne droite. Le fait de forcer ou de tordre l'outil peut causer une surchauffe du moteur et un dangereux choc en retour, risquant d'entraîner des blessures graves.
- Ne placez jamais une partie de votre corps sous la base de l'outil en effectuant une coupe en section, spécialement au début de la coupe. Ceci peut causer des blessures personnelles sérieuses. La lame est exposée sous la base de l'outil.

Tenez l'outil fermement. L'outil est doté d'une poignée avant et d'une poignée arrière. Tenez l'outil par ses deux poignées. Vous ne risquerez pas de vous couper les mains si vous les utilisez toutes les deux pour tenir la scie. Placez l'avant du socle sur la pièce à couper sans que la lame n'entre en contact. Appuyez alors sur le bouton de

sécurité et allumez l'outil, et attendez que la lame ait atteint sa pleine vitesse. Placez lentement la lame de la scie sur la profondeur de coupe prédéfinie et déplacez simplement l'outil vers l'avant sur la surface de la pièce, en le maintenant bien à plat et en le faisant avancer doucement, jusqu'à ce que la coupe soit terminée.

Pour des coupes propres, évitez de dévier de la ligne de coupe et faites avancer l'outil à une vitesse égale. Si la lame dévie de la ligne de coupe prévue, ne tentez pas de modifier la course de l'outil pour le forcer à revenir sur la ligne de coupe. Ceci risque de plier la lame et de provoquer un dangereux choc en retour pouvant causer des blessures graves. Relâchez la gâchette, attendez l'arrêt complet de la lame, puis retirez l'outil. Réalignez l'outil sur une nouvelle ligne de coupe, puis reprenez la coupe. Évitez de vous exposer aux copeaux et sciures de bois éjectés par la scie. Portez des lunettes de protection pour réduire les risques de blessure.

En utilisant le rail de guidage (accessoire) (Fig. 25 et 26)

Placez l'outil à l'extrémité arrière du rail de guidage.

Tournez les deux vis de serrage sur la base de l'outil pour que l'outil se déplace sans à-coups et sans un bruit métallique. Tenez l'outil fermement. L'outil est doté d'une poignée avant et d'une poignée arrière. Tenez l'outil par ses deux poignées. Allumez l'outil, placez-le sur la profondeur de coupe prédéfinie et coupez le pare-éclats sur toute la longueur en une seule coupe. Le bord du pare-éclats correspond à la face de coupe.

En effectuant une coupe en biseau avec le rail de guidage, déplacez le levier à glissière sur la base de l'outil afin d'éviter que l'outil ne tombe sur son côté.

Déplacez le levier à glissière sur la base de l'outil dans la direction de la flèche pour que la rainure s'engage dans le rail de guidage.

Garde parallèle (règle de guidage) (accessoire) (Fig. 27)

Le garde parallèle est pratique pour effectuer des coupes droites avec une très grande précision. Faites simplement glisser le garde parallèle le long du bord de la pièce en le gardant en position à l'aide des vis de serrage sur l'avant et arrière du socle. Ceci permet également d'effectuer des coupes répétées d'une largeur égale.

Retourner le garde parallèle (règle de guidage) permet aussi de l'utiliser comme une base inférieure pour l'outil.

Coupe en plongée (découper) (Fig. 28)

AVERTISSEMENT :

- Pour éviter un choc en retour, assurez-vous d'observer les instructions suivantes.

En utilisant l'outil sans le rail de guidage

Placez l'outil sur la pièce à travailler avec le bord arrière de l'outil contre un arrêt fixe ou un dispositif similaire conçu par l'utilisateur.

En utilisant l'outil avec le rail de guidage

Placez l'outil sur le rail de guidage avec le bord arrière de l'outil contre un arrêt fixe ou un dispositif similaire fixé sur le rail de guidage.

Tenez toujours l'outil fermement en posant une main sur la poignée avant et l'autre main sur la poignée principale de l'outil. Appuyez alors sur le bouton de sécurité et allumez l'outil, et attendez que la lame ait atteint sa pleine vitesse. Placez lentement la lame de la scie sur la profondeur de coupe prédéfinie et déplacez simplement l'outil vers l'avant à la position de plongée désirée

NOTE :

- Les marques sur le côté du carter de lame indiquent les points de coupe absolus avants et arrières de la lame de la scie (A pour un diamètre de 160 mm et B pour un diamètre de 165 mm) à la profondeur de coupe maximale et en utilisant le rail de guidage. (Fig. 29)

Dispositif de guidage (accessoires)

L'utilisation de la jauge de coupe d'onglet (accessoire) permet d'effectuer des coupes d'onglet exactes dans des travaux avec des angles et de montage.

L'utilisation du dispositif de serrage (accessoire) assure un maintien ferme de la pièce à travailler sur l'établi.

MAINTENANCE

ATTENTION :

- Assurez-vous toujours que l'outil est éteint et débranché avant d'effectuer tout travail d'inspection ou de maintenance.

Réglage de précision pour les coupes de 90° et 45° (coupes verticales et à 45°) (Fig. 30 et 31)

Ce réglage est effectué en usine. S'il est désactivé, réajustez la vis de réglage au moyen d'une clé hexagonale, en vous assurant que la lame est sur un angle de 90° ou 45° par rapport à la base, avec une règle triangulaire, une équerre de menuisier, etc.

NOTE :

- Le réglage de précision pour les coupes de 22,5° 48° et -1° ne peut être effectué.

Remplacement des charbons (Fig. 32 et 33)

Retirez et vérifiez les charbons régulièrement.

Remplacez-les lorsqu'ils atteignent le repère d'usure.

Gardez les charbons propres et libres de glisser dans les porte-charbons.

Les deux charbons doivent être remplacés en même temps. Utilisez uniquement des charbons identiques.

Retirez les bouchons de porte-charbon à l'aide d'un tournevis.

Enlevez les charbons usés, insérez les neufs et remettez en place les bouchons.

Pour assurer la SÉCURITÉ et la FIABILITÉ du produit, toute réparation et tout travail d'entretien ou de réglage doivent être effectués par un Centre de service après-vente agréé Makita, avec des pièces de rechange Makita.

ACCESSOIRES

ATTENTION :

- Ces accessoires ou pièces complémentaires sont recommandés pour l'utilisation avec l'outil Makita spécifié dans ce manuel. L'utilisation de tout autre accessoire ou pièce complémentaire peut causer un risque de blessures. Utilisez uniquement l'accessoire ou la pièce complémentaire dans le but spécifié.

Pour obtenir plus de détails sur ces accessoires, contactez un Centre de service après-vente local Makita.

- Lames
- Rail de guidage
- Garde parallèle (règle de guidage)
- Jauge de coupe d'onglet
- Dispositif de serrage
- Clé hexagonale
- Ensemble de feuilles pour rail de guidage
- Feuille de caoutchouc pour rail de guidage
- Feuille de position pour rail de guidage

DEUTSCH

Erklärung der Gesamtdarstellung

- | | | |
|-------------------------------------|------------------------|---------------------------------------|
| 1. Klemmschraube | 11. Entsperrtaste | 22. Staubsaugeranschluss |
| 2. Unterer Grenzstopper für Blatt | 12. Ein/Aus-Schalter | 23. Justierschraube |
| 3. Schnellstoptaste | 13. Drehzahl-Stellrad | 24. Schiebehebel |
| 4. Klemmschrauben | 14. Inbusschlüssel | 25. Parallelanschlag (Führungslineal) |
| 5. Werkzeugbasis | 15. Verriegelungshebel | 26. Hintere Kante der Werkzeugbasis |
| 6. Feststopper | 16. Spindelarretierung | 27. Fester Stopp |
| 7. Hebel | 17. Sechskantschraube | 28. Einstellschraube für 90° |
| 8. Umschalthebel für Gehrungswinkel | 18. Außenflansch | 29. Einstellschraube für 45° |
| 9. Gleitschuh | 19. Sägeblatt | 30. Verschleißmarkeierung |
| 10. Schnittlinie | 20. Innenflansch | 31. Schraubendreher |
| | 21. Staubsauger | 32. Bürstenhalterkappe |

TECHNISCHE ANGABEN

Modell		SP6000
Sägeblattdurchmesser		165 mm
Max. Schnitttiefe	bei 90°	56 mm
	bei 45°	40 mm
	bei 48°	38 mm
Leerlauf-Drehzahl (min ⁻¹)		2.000 - 5.200
Gesamtlänge		341 mm
Nettogewicht		4,1 kg
Sicherheitsklasse		II/III

- Aufgrund des technischen Fortschritts können die hier wiedergegebenen Angaben ohne Vorankündigung geändert werden.
- Hinweis: Technische Daten können in den einzelnen Ländern unterschiedlich sein.

Symbole

END201-2

Im Folgenden sind die Symbole dargestellt, die im Zusammenhang mit diesem Werkzeug verwendet werden.

Es ist wichtig, dass Sie die Bedeutung dieser Symbole vor der Nutzung dieses Werkzeugs kennen.



..... Lesen Sie die vorliegende Betriebsanleitung.



..... DOPPELT SCHUTZISOLIERT

Verwendungszweck

ENE067-1

Das Werkzeug wurde speziell für Tauchschnitte entwickelt.

Außerdem können mit dem Werkzeug Längs- und Querschnitte sowie Gehrungsschnitte mit Winkeln in Holz bei engem Kontakt mit dem Werkstück durchgeführt werden.

Stromversorgung

ENF002-1

Das Werkzeug darf nur an Stromquellen mit der auf dem Typenschild angegebenen Spannung und einphasigem Wechselstrom angeschlossen werden. Aufgrund der Doppelisolierung nach europäischem Standard kann das Werkzeug auch an Steckdosen ohne Erdungskabel betrieben werden.

BESONDERE SICHERHEITSGESETZE

GE031-1

Lassen Sie sich NIE durch Bequemlichkeit oder (aus fortwährendem Gebrauch gewonnener) Vertrautheit mit dem Gerät dazu verleiten, die Sicherheitsregeln für den Umgang mit der Kreissäge zu missachten.

Wenn dieses Werkzeug fahrlässig oder nicht ordnungsgemäß verwendet wird, kann es zu schweren Verletzungen kommen.

Gefahr:

- 1. Halten Sie Ihre Hände vom Schnittbereich und vom Sägeblatt fern. Halten Sie Ihre andere Hand auf dem Zusatzgriff oder dem Motorgehäuse.** Nur wenn Sie die Säge mit beiden Händen an den vorgesehenen Griffen halten, können Sie Schnittverletzungen durch das Sägeblatt vermeiden.
- 2. Fassen Sie niemals unter das Werkstück oder die Werkzeugbasis.** Die Schutzvorrichtung bietet keinen Schutz vor dem Sägeblatt unter dem Werkstück. Versuchen Sie niemals, das abgesägte Material zu entfernen, während das Sägeblatt läuft.
ACHTUNG: Das Sägeblatt läuft nach dem Abschalten nach. Warten Sie bis zum Stillstand des Sägeblatts, bevor Sie das abgesägte Material entfernen.
- 3. Passen Sie die Schnitttiefe an die Stärke des Werkstücks an.** Es sollte weniger als ein kompletter

Sägezahn des Sägeblatts unter dem Werkstück sichtbar sein.

4. **Halten Sie das zu schneidende Werkstück niemals in Ihren Händen oder über Ihrem Bein. Sichern Sie das Werkstück an einer stabilen Unterlage.** Es ist wichtig, dass Sie das Werkstück korrekt abstützen, um Verletzungen, ein Verkanten des Sägeblatts oder den Verlust der Kontrolle möglichst zu vermeiden. **Typische Abbildung einer richtigen Handhaltung, Werkstückabstützung und Kabelführung (falls relevant). (Abb. 1)**
5. **Halten Sie das Elektrowerkzeug an den isolierten Griffflächen, wenn Sie unter Bedingungen arbeiten, bei denen das Schneidwerkzeug versteckte Verkablung oder das eigene Kabel berühren kann.** Der Kontakt mit einem stromführenden Kabel leitet diesen an die metallenen Teile des Elektrowerkzeugs weiter und verursacht einen Stromschlag beim Bediener.
6. **Verwenden Sie bei Längsschnitten immer einen Parallelanschlag oder eine Führungsschiene.** Dies verbessert den Präzisionsschnitt und verringert die Gefahr des Verkantens des Sägeblatts.
7. **Verwenden Sie stets Sägeblätter in der richtigen Größe und Form (Raute statt Kreis) des Holzdurchmessers.** Sägeblätter, die nicht den Montageteilen der Säge entsprechen, laufen exzentrisch, und führen zum Kontrollverlust.
8. **Verwenden Sie niemals defekte oder vom Original abweichende Unterlegscheiben oder Bolzen.** Die Unterlegscheiben und Befestigungsschrauben wurden eigens für Ihre Säge entwickelt, um einen Betrieb mit optimaler Leistung und Sicherheit zu gewährleisten.
9. **Ursachen für Rückschlag und geeignete Vorkehrungen:**

- Ein Rückschlag entsteht als plötzliche Reaktion auf ein eingeklemmtes, fest sitzendes oder falsch ausgerichtetes Sägeblatt und führt zum unkontrollierten Springen der Säge aus dem Werkstück in Richtung Bediener.
- Wenn das Sägeblatt klemmt oder durch die unten geschlossene Schneidfuge zu fest erfasst wird, bleibt das Blatt stehen und die Motorkraft lässt die Säge schnell in Richtung des Bedieners springen.
- Wenn sich das Sägeblatt im Schnitt verdreht oder verkantet, können die Zähne an der hinteren Kante des Sägeblatts in die Oberfläche des Holzes hineinragen und dazu führen, dass das Sägeblatt aus der Schneidfuge tritt und zurück in Richtung des Bedieners springt.

Ein Rückschlag wird durch eine falsche Handhabung der Säge und/oder unsachgemäße Bedienschritte oder ungünstige Umstände verursacht und kann durch die unten aufgeführten Maßnahmen vermieden werden.

- **Halten Sie die Säge stets mit beiden Händen gut fest und legen Sie Ihre Arme so an, dass Sie einem Rückschlag entgegenwirken können. Stellen Sie sich seitlich zum Sägeblatt hin, jedoch niemals in gleicher Ebene mit dem Sägeblatt.** Ein Rückschlag könnte dazu führen,

dass die Säge nach hinten springt.

Rückschlagkräfte können jedoch bei korrekten Vorkehrungen vom Bediener kontrolliert werden.

- **Wenn sich das Sägeblatt verkantet oder wenn Sie den Sägevorgang aus irgendeinem Grund unterbrechen, betätigen Sie den Schalter und halten Sie die Säge bis zum kompletten Stillstand des Sägeblatts im Material, ohne die Säge dabei zu bewegen. Versuchen Sie niemals, bei laufendem Sägeblatt die Säge aus dem Werkstück zu ziehen oder sie nach hinten herauszuziehen, da dies zu einem Rückschlag führen kann.** Überprüfen Sie die Ursache für das Verkanten des Sägeblatts, und ergreifen Sie Korrekturmaßnahmen.
- **Wenn Sie die Säge im Werkstück erneut starten, setzen Sie das Sägeblatt mittig in den Schlitz ein und stellen Sie sicher, dass die Sägezähne nicht in das Material greifen.** Falls sich das Sägeblatt verkantet, kann es beim erneuten Starten der Säge hochspringen oder vom Werkstück zurückschlagen.
- **Große Werkstücke müssen abgestützt werden, um die Gefahr eines eingeklemmten Sägeblatts oder einen Rückschlag möglichst zu vermeiden.** Große Werkstücke neigen dazu, sich unter ihrem Eigengewicht durchzubiegen. Stützen müssen von beiden Seiten unter dem Werkstück nahe der Schnittlinie und der Werkstückkante angebracht werden.

Um ein Einklemmen oder einen Rückschlag möglichst zu vermeiden, wenn sich ein Aufsetzen der Säge auf das Werkstück beim Arbeiten nicht vermeiden lässt, setzen Sie die Säge auf den größeren Teil des Werkstücks, und sägen Sie den kleineren Teil ab.

Um einen Rückschlag zu vermeiden, stützen Sie das Brett oder das Werkstück nahe der Schnittstelle ab. (Abb. 2)

Stützen Sie das Brett oder Werkstück nicht zu weit von der Schnittstelle ab. (Abb. 3)

- **Verwenden Sie keine stumpfen oder beschädigten Sägeblätter.** Stumpfe oder falsch eingesetzte Sägeblätter führen zu einem sehr engen Schlitz, der eine hohe Reibung, ein Verkanten des Sägeblatts und einen Rückschlag zur Folge hat. Verwenden Sie nur scharfe und saubere Sägeblätter. Getrocknete Gummi- und Holzreste auf dem Sägeblatt verringern die Drehzahl der Säge und erhöhen das Risiko eines Rückschlags. Halten Sie das Sägeblatt sauber, indem Sie es vom Werkzeug entfernen, es mit einem Gummi- und Teerentferner, heißem Wasser oder Waschpetroleum reinigen. Verwenden Sie niemals Benzin.
- **Stellen Sie vor Arbeitsbeginn sicher, dass der Hebel der Tiefeneinstellung und die Knebelmuttern fest angezogen sind.** Wenn sich während des Sägens das Sägeblatt verschiebt, kann dies zum Verkanten oder einem Rückschlag des Sägeblatts führen.

- **Seien Sie besonders vorsichtig, wenn Sie einen "Tauschnitt" in Wänden oder anderen abgeschirmten Bereichen ausführen.** Das vorstehende Sägeblatt kann sonst Gegenstände absägen, die einen Rückschlag verursachen können.
 - **Halten Sie das Werkzeug STETS mit beiden Händen gut fest. Halten Sie NIEMALS Ihre Hand, Bein oder andere Körperteile unter die Werkzeugbasis oder hinter die Säge, vor allem nicht, wenn Sie Trennschnitte vornehmen.** Im Fall eines Rückschlags kann unter Umständen die Säge über Ihre Hand zurückspringen, was schwere Personenschäden verursachen kann. (Abb. 4)
 - **Verwenden Sie die Säge niemals mit Gewalt. Ein Forcieren der Säge kann zu unebenen Schnitten, zu Ungenauigkeiten und möglicherweise zu Rückschlägen führen.** Schieben Sie die Säge mit einer Geschwindigkeit vor, die es ermöglicht, dass das Sägeblatt mit konstanter Drehzahl sägt.
10. **Prüfen Sie vor jeder Inbetriebnahme, ob die Schutzhaube korrekt schließt. Verwenden Sie die Säge niemals, wenn die Schutzhaube sich nicht ungehindert bewegen lässt und das Blatt nicht unverzüglich umschließt. Die Schutzhaube darf niemals bei geöffnetem Sägeblatt festgeklemmt oder festgebunden werden.** Wenn Sie die Säge versehentlich fallen lassen, kann sich die Schutzhaube verbiegen. Prüfen Sie, dass die Schutzhaube frei beweglich ist und das Sägeblatt oder andere Teile in keinem Schnittwinkel und keiner Schnitttiefe berührt.
 11. **Überprüfen Sie die Funktion und den Zustand der Rückholfeder für die Schutzhaube. Wenn Schutzhaube und Feder nicht ordnungsgemäß funktionieren, müssen sie vor der Inbetriebnahme gewartet werden.** Die Schutzhaube kann aufgrund von beschädigten Teilen, Gummirückständen oder Ablagerungen unter Umständen in ihrer Funktionsweise beeinträchtigt sein.
 12. **Gewährleisten Sie, dass die Führungsplatte der Säge nicht während des Tauchschnitts verrutscht, wenn die Gehrungseinstellung des Blattes nicht 90° beträgt.** Ein seitliches Verrutschen des Blattes führt zu einem Verkannten und wahrscheinlich zu einem Rückschlag.
 13. **Achten Sie stets darauf, dass die Schutzhaube das Sägeblatt abdeckt, bevor Sie die Säge auf die Werkbank oder den Boden legen.** Ein ungeschütztes, noch nachlaufendes Sägeblatt führt dazu, dass die Säge nach hinten läuft und dabei alles zersägt, was ihr im Weg steht. Beachten Sie, dass das Sägeblatt nach dem Auslösen des Schalters einige Zeit bis zum Stillstand benötigt.
 14. **Seien Sie beim Sägen von feuchtem Holz, Spanplatten oder Holz mit Astlöchern besonders vorsichtig.** Stellen Sie die Schnittdrehzahl so ein, dass ein gleich bleibender Vorschub des Werkzeugs ohne eine Verringerung der Drehzahl möglich ist.
 15. **Vermeiden Sie es, in Nägel zu sägen. Untersuchen Sie das Werkstück auf Nägel, und entfernen Sie diese ggf. vor Arbeitsbeginn.**
 16. **Setzen Sie das Werkzeug mit der großen Auflagefläche des Gleitschuhs auf den Teil des Werkstücks, der fest abgestützt wird, und nicht auf das abzuschneidende Material. Als Beispiele zeigt Abb. 5 den RICHTIGEN und Abb. 6 den FALSCHEN Weg für das Absägen des Brettendes. Wenn das Werkstück zu kurz oder zu klein ist, spannen Sie es ein. VERSUCHEN SIE NIEMALS, KURZE WERKSTÜCKE MIT DER HAND ZU HALTEN!**
 17. **Versuchen Sie niemals, die Kreissäge nach unten gerichtet in einen Schraubstock zu spannen. Dies ist äußerst gefährlich und kann zu schweren Unfällen führen. (Abb. 7)**
 18. **Einige Materialien enthalten Chemikalien, die giftig sein können. Vermeiden Sie das Einatmen von Staub und den Kontakt mit der Haut. Befolgen Sie die Sicherheitshinweise des Materialherstellers.**
 19. **Bremsen Sie die Blätter nicht durch seitlichen Druck auf das Sägeblatt ab.**
 20. **Verwenden Sie stets die in diesem Handbuch empfohlenen Sägeblätter. Verwenden Sie keine Schleifscheiben.**
 21. **Tragen Sie bei der Arbeit eine Staubmaske und Hörschutz.**

BEWAHREN SIE DIESE ANWEISUNGEN SORGFÄLTIG AUF.

WARNUNG:
MISSBRAUCH oder Missachtung der in diesem Handbuch enthaltenen Sicherheitshinweise kann zu schweren Personenschäden führen.

FUNKTIONSBESCHREIBUNG

ACHTUNG:

- Schalten Sie das Werkzeug stets aus und ziehen Sie den Stecker, bevor Sie Einstellungen oder eine Funktionsprüfung des Werkzeugs vornehmen.

Einstellen der Frästiefe (Abb. 8)

ACHTUNG:

- Ziehen Sie die Klemmschraube nach dem Einstellen der Schnitttiefe stets fest an.

Lösen Sie die Klemmschraube an der Tiefenführung und verschieben Sie den unteren Grenzstopper für das Blatt auf die gewünschte Tiefe an der Maßstabsplatte. Ziehen Sie die Klemmschraube an der gewünschten Tiefe fest an.

Für einen sauberen, sicheren Schnitt stellen Sie die Schnitttiefe so ein, dass nur maximal ein Sägeblattzahn unter dem Werkstück herausragt. Die Verwendung der richtigen Schnitttiefe minimiert die Gefahr von

RÜCKSCHLÄGEN, die zu Personenschäden führen können.

HINWEIS:

- Das Einstellen des unteren Grenzstopper für das Blatt auf die gewünschte Tiefe an der Maßstabsplatte erlaubt eine grobe Schnitttiefe.
Für eine exakte Schnitttiefe messen Sie den tatsächlich vorstehenden Teil des Sägeblattes unter der Werkzeugbasis.

Schnellstopptaste für 2 bis 3 mm Schnitttiefe bei Verwendung der Führungsschiene (Zubehör) (Abb. 9 und 10)

Wenn eine Führungsschiene verwendet wird, verfügt dieses Werkzeug am Getriebegehäuse neben dem hinteren Griff über eine Schnellstopptaste für 2 bis 3 mm Schnitttiefe. Diese wird verwendet, um ein Beschädigen des Werkstückes beim Schneiden zu vermeiden. Machen Sie einen Durchgang des ersten Schnitts von 2 bis 3 mm und anschließend einen weiteren Durchgang des normalen Schnitts.

Um die 2 bis 3 mm Schnitttiefe zu erzielen, drücken Sie die Stopptaste in Richtung des Sägeblattes hinein. Dies ist sehr praktisch, um ein Zerkratzen des Werkstückes zu vermeiden.

Zum Lösen der Schnitttiefe aus dieser Position für eine freie Schnitttiefe, ziehen Sie die Taste einfach heraus.

Gehrungsschnitt (Abb. 11)

Neigung nach rechts (Abb. 12 und 13)

Drehen Sie den Feststopper so, dass der Pfeil darauf auf eine der zwei Positionen zeigt (vertikal für 22,5° und horizontal für 45°). Lösen Sie die Klemmschrauben vorn und hinten. Neigen Sie anschließend die Werkzeugbasis bis zum Anschlag, und sichern Sie die Basis mit den Klemmschrauben.

Für einen Gehrungswinkel von 48° verschieben Sie den Hebel auf die 48°-Markierung soweit dies möglich ist. Drehen Sie den Feststopper so, dass der Pfeil darauf auf die horizontale Position zeigt. Neigen Sie anschließend die Werkzeugbasis bis zum Anschlag, und sichern Sie die Basis mit den Klemmschrauben.

Neigen nach links (Abb. 14)

Das Werkzeug kann um 1° Gehrungswinkel nach links geneigt werden. Zum Einstellen des Gehrungswinkels von 1° lösen Sie die Klemmschrauben vorne und hinten, neigen Sie den Werkzeuggriff leicht nach rechts und drücken Sie gleichzeitig die beiden Umschalthebel für den Gehrungswinkel in Pfeilrichtung mit der Markierung -1. Neigen Sie anschließend den Werkzeuggriff nach links, während Sie diese beiden Hebel gleichzeitig drücken. Sichern Sie den Fuß mit den Klemmschrauben.

HINWEIS:

- Durch das Zurückfahren des Blattes zum rechten Winkel kehrt der Umschalthebel selbst auf 0° zurück.

Schnittlinie (Abb. 15)

Bei Verwendung des Werkzeugs ohne Führungsschiene (Zubehör)

Für Geradschnitte richten Sie die Position A an der Vorderseite des Gleitschuhs auf Ihre Schnittlinie aus. Für 45°-Gehrungsschnitte richten Sie die Position B an der Vorderseite des Gleitschuhs auf Ihre Schnittlinie aus.

Bei Verwendung des Werkzeugs mit Führungsschiene (Zubehör)

Für Geradschnitte und 45°-Gehrungsschnitte richten Sie immer die Position A an der Vorderseite des Gleitschuhs auf Ihre Schnittlinie aus.

Bedienung des Schalters (Abb. 16)

ACHTUNG:

- Achten Sie vor dem Einstecken des Werkzeug-Netzsteckers darauf, dass sich der Ein/Aus-Schalter korrekt bedienen lässt und beim Loslassen in die Position „OFF“ (AUS) zurückkehrt.

Damit die Auslöseschaltung nicht versehentlich gezogen wird, befindet sich am Werkzeug eine Entsperrungstaste. Zum Start des Werkzeugs müssen die Entsperrungstaste gedrückt und die Auslöseschaltung gezogen werden.

Lassen Sie zum Ausschalten des Werkzeugs den Ein/Aus-Schalter los.

Drehzahl-Stellrad (Abb. 17)

Die Drehzahl des Werkzeugs kann durch Drehen des Drehzahl-Stellrads stufenlos zwischen 2.000 und 5.200 Umdrehungen pro Sekunde eingestellt werden. Sie erreichen eine höhere Drehzahl, wenn das Rad in Richtung der Zahl 6 gedreht wird; wird es in Richtung der Zahl 1 gedreht, verringert sich die Drehzahl.

Wählen Sie anhand der Tabelle die geeignete Drehzahl für das zu schneidende Werkstück. Die entsprechende Drehzahl kann von der Art und der Dicke des Werkstückes abhängen. Allgemein gilt, dass Sie bei höheren Drehzahlen die Werkstücke schneller schneiden können, allerdings bei geringerer Lebenszeit des Sägeblattes.

Nummer	min ⁻¹
1	2.000
2	2.200
3	3.100
4	4.000
5	4.900
6	5.200

ACHTUNG:

- Das Drehzahl-Stellrad lässt sich nur bis 6 und zurück auf 1 drehen. Wird es gewaltsam über 6 oder 1 hinaus gedreht, lässt sich die Drehzahl möglicherweise nicht mehr einstellen.
- Das Drehzahl-Stellrad dient nicht der Verwendung von Sägeblättern mit niedriger Nenndrehzahl, sondern um eine Drehzahl zu erreichen, die für das Material des Werkstückes geeignet ist. Verwenden Sie ausschließlich

Sägeblätter mit einer Mindestdrehzahl von 5.200 Umdrehungen pro Minute.

Die Werkzeuge verfügen über elektronische Funktionen und sind auf Grund der folgenden Merkmale einfach zu bedienen.

Überlastungsschutz

Wird das Werkzeug überlastet und der Strom übersteigt ein bestimmtes Niveau, stoppt das Werkzeug automatisch, um den Motor zu schützen.

Regelung einer konstanten Drehzahl

Die elektronische Drehzahlregelung erreicht eine konstante Drehzahl. Dadurch wird auch bei Belastung eine saubere Schnittfläche erreicht.

Soft-Start-Funktion

Weiches Anlaufen auf Grund eines unterdrückten Anlaufdruckens.

MONTAGE

ACHTUNG:

- Schalten Sie das Werkzeug stets aus und ziehen Sie den Stecker, bevor Sie irgendwelche Arbeiten am Werkzeug vornehmen.

Aufbewahrung des Inbusschlüssels (Abb. 18)

Der Inbusschlüssel wird am Werkzeug aufbewahrt. Ziehen Sie den Inbusschlüssel einfach heraus.

Zum Befestigen des Inbusschlüssels, schieben Sie diesen so weit wie möglich in den Griff.

Montage und Demontage des Sägeblatts

ACHTUNG:

- Verwenden Sie niemals Sägeblätter, die den in diesen Anleitungen angegebenen Kenngrößen nicht entsprechen.
- Verwenden Sie ausschließlich Sägeblätter mit einer Mindestdrehzahl von 5.200 Umdrehungen pro Minute.
- Montieren Sie das Sägeblatt so, dass seine Zähne an der Vorderseite des Werkzeugs nach oben zeigen.
- Verwenden Sie nur den mitgelieferten Schraubenschlüssel von Makita zum Demontieren oder Montieren des Sägeblatts.

Zum Ausbauen des Sägeblatts drücken Sie die Entsperrtaste hinein, um den oberen Grenzstopper zu lösen. **(Abb. 19)**

Drehen Sie den Sperrhebel, um den Sägekopf für den Austausch eines Sägeblattes zu verriegeln. **(Abb. 20)**

Senken Sie bei gedrückter Entriegelungstaste und gedrehtem Sperrhebel den Griff, sodass der Sperrstift in die Kerbe passt, die sich zwischen Sperrhebel und der Tiefenführung mit der Skalenplatte bildet. Prüfen Sie, dass der Sperrstift in die Kerbe passt.

Drücken Sie die Spindelarretierung, um ein Drehen des Sägeblatts zu verhindern, und lösen Sie die Sechskantschraube durch Linksdrehung des Schraubenschlüssels. Nehmen Sie dann

Sechskantschraube, Außenflansch und Sägeblatt ab. **(Abb. 21)**

Zum Montieren des Sägeblatts befolgen Sie die Einbauprozedur in umgekehrter Reihenfolge. ZIEHEN SIE DIE SCHRAUBE IM UHRZEIGERSINN FEST AN. **(Abb. 22)**

Anschließen eines Staubsaugers (Abb. 23)

Um größere Sauberkeit bei der Arbeit zu erzielen, schließen Sie einen Makita Staubsauger an Ihr Werkzeug an. Schließen Sie den Schlauch eines Staubsaugers an den Staubschutzanschluss wie in der Abbildung dargestellt an.

BETRIEB

Abschnitte sägen (gewöhnliches Sägen) (Abb. 24)

ACHTUNG:

- Schieben Sie das Werkzeug beim Schneiden stets sachte vor. Übermäßige Druckausübung oder Verdrehen des Werkzeugs bewirken eine Überhitzung des Motors und gefährliche Rückschläge, die möglicherweise zu schweren Verletzungen führen können.
- Halten Sie niemals ein Körperteil unter die Werkzeugbasis, wenn Sie Abschnitte sägen, vor allem nicht beim Anlaufen. Zuwiderhandlungen können zu schweren Personenschäden führen. Das Sägeblatt tritt unter der Werkzeugbasis hervor.

Halten Sie das Werkzeug mit festem Griff. Das Werkzeug verfügt sowohl über einen vorderen als auch einen hinteren Griff. Verwenden Sie beide Griffe, um so bestmöglich das Werkzeug zu umfassen. Wenn Sie die Säge mit beiden Händen festhalten, vermeiden Sie Verletzungen durch das Sägeblatt. Setzen Sie das Vorderteil der Basis auf das zu schneidende Werkstück auf, ohne dass das Sägeblatt mit ihm in Berührung kommt. Drücken Sie anschließend die Entriegelungstaste, schalten Sie das Werkzeug ein und warten Sie, bis das Sägeblatt die volle Drehzahl erreicht hat. Drücken Sie nun den Sägekopf langsam auf die voreingestellte Schnitttiefe und schieben Sie das Werkzeug flach und gleichmäßig über die Oberfläche des Werkstücks vor, bis der Schnitt vollendet ist.

Um saubere Schnitte zu erzielen, halten Sie eine gerade Schnittlinie und eine gleichmäßige Vorschubgeschwindigkeit ein. Wenn der Schnitt nicht genau Ihrer beabsichtigten Schnittlinie folgt, versuchen Sie nicht, das Werkzeug zurück zur Schnittlinie zu drehen oder mit Gewalt zu schieben. Dies kann zum Einklemmen des Sägeblatts führen und somit zu einem gefährlichen Rückschlag und möglicherweise zu schweren Verletzungen. Betätigen Sie den Schalter, warten Sie auf den Stillstand des Sägeblatts, und ziehen Sie dann das Werkzeug zurück. Setzen Sie das Werkzeug an der neuen Schnittlinie an, und starten Sie den Sägevorgang erneut. Versuchen Sie dabei, Positionen zu vermeiden, in denen Sie den entstehenden Sägespänen und -staub

ausgesetzt sind. Tragen Sie eine Schutzbrille, um Verletzungen zu vermeiden.

Bei Verwendung mit Führungsschiene (Zubehör) (Abb. 25 und 26)

Platzieren Sie das Werkzeug am hinteren Ende der Führungsschiene. Drehen Sie die Justierschrauben auf der Werkzeugbasis so, dass sich das Werkzeug weich ohne Klappern verschieben lässt. Halten Sie das Werkzeug mit festem Griff. Das Werkzeug verfügt sowohl über einen vorderen als auch einen hinteren Griff.

Verwenden Sie beide Griffe, um so bestmöglich das Werkzeug zu umfassen. Schalten Sie das Werkzeug ein, drücken Sie das Werkzeug bis zur voreingestellten Schnitttiefe und schneiden Sie den Splitterschutz entlang der vollen Länge mit einem Schub. Die Kante des Splitterschutzes entspricht der Schnittkante.

Bei einem Gehrungsschnitt mit der Führungsschiene schieben Sie den Schiebehebel an der Werkzeugbasis so, dass das Werkzeug nicht auf die Seite fallen kann.

Schieben Sie den Schiebehebel an der Werkzeugbasis in die Pfeilrichtung, sodass er in die Hinterschnittkerbe in der Führungsschiene eingreift.

Parallelanschlag (Führungslinial) (Zubehör) (Abb. 27)

Der praktische Parallelanschlag ermöglicht die Ausführung besonders genauer Geradschnitte. Schieben Sie den Parallelanschlag einfach fest anliegend gegen die Werkstückkante, und sichern Sie ihn mit der Feststellschraube an der Vorder- und Rückseite der Basis. Wiederholte Schnitte auf gleicher Breite sind ebenfalls möglich.

Durch Umkippen des Parallelanschlags (Führungsschiene) kann dieser auch als Hilfsbasis für das Werkzeug dienen.

Tauchsägen (Ausschneiden) (Abb. 28)

WARNUNG:

- Achten Sie auf die Einhaltung der folgenden Anweisungen, um einen Rückschlag zu vermeiden.

Bei Verwendung des Werkzeugs ohne Führungsschiene

Platzieren Sie das Werkzeug auf dem Werkstück mit der hinteren Kante des Werkzeugs gegen einen festen Stopp oder ähnliches, der vom Bediener eingerichtet wird.

Bei Verwendung des Werkzeugs mit Führungsschiene

Platzieren Sie das Werkzeug auf der Führungsschiene mit der hinteren Kante des Werkzeugs gegen einen festen Stopp oder ähnliches, der auf die Führungsschiene geklemmt wird.

Halten Sie das Werkzeug mit einer Hand am Vordergriff und mit der anderen am Werkzeuggriff fest. Drücken Sie anschließend die Entriegelungstaste, schalten Sie das Werkzeug ein und warten Sie, bis das Sägeblatt die volle Drehzahl erreicht hat. Drücken Sie nun den Sägekopf langsam bis zur voreingestellten Tiefe, und schieben Sie

das Werkzeug einfach in Richtung der gewünschten Tauchposition.

HINWEIS:

- Die Markierungen an der Seite der Blattführung zeigen die absoluten vorderen und absoluten hinteren Schnittpunkte des Sägeblatts (A für Durchmesser 160 mm und B für Durchmesser 165 mm) bei maximaler Schnitttiefe und unter Verwendung der Führungsschiene. (Abb. 29)

Führungsgerät (Zubehör)

Die Verwendung der Gehrungsfugenlehre (Zubehör) ermöglicht exakte Gehrungsschnitte mit Winkeln und Passarbeiten.

Die Verwendung der Klemme (Zubehör) gewährleistet einen sicheren Halt des Werkstücks auf dem Werkstück.

WARTUNG

ACHTUNG:

- Schalten Sie das Werkzeug stets aus und ziehen Sie den Stecker, bevor Sie Inspektionen oder Wartungsarbeiten am Werkzeug vornehmen.

Einstellen der 90°- und 45°-Schnittgenauigkeit (Vertikal- und 45°-Schnitt) (Abb. 30 u. 31)

Diese Einstellung wurde werkseitig vorgenommen. Sollte sie verstellt sein, müssen die Einstellschrauben mit einem Inbusschlüssel nachjustiert werden, während das Sägeblatt mithilfe eines Einstellendreiecks, Anschlagwinkels, etc. in den Winkel von 90° oder 45° gebracht wird.

HINWEIS:

- Eine Anpassung auf genau 22,5°, 48° und -1° kann nicht durchgeführt werden.

Ersetzen der Kohlebürsten (Abb. 32 u. 33)

Entfernen und überprüfen Sie die Kohlebürsten in regelmäßigen Abständen.

Ersetzen Sie diese, wenn sie bis zur Verschleißgrenze abgenutzt sind. Halten Sie die Kohlebürsten sauber und sorgen Sie dafür, dass sie locker in den Halterungen liegen.

Beide Kohlebürsten sollten gleichzeitig ersetzt werden.

Verwenden Sie nur identische Kohlebürsten.

Verwenden Sie einen Schraubendreher, um die Bürstenhalterkappen zu entfernen.

Entnehmen Sie die verbrauchten Kohlebürsten, legen Sie die neuen ein und bringen Sie die Bürstenhalterkappen wieder fest an.

Um die SICHERHEIT und ZUVERLÄSSIGKEIT des Produkts zu gewährleisten, sollten Reparaturen, Wartungsarbeiten und Einstellungen nur durch von Makita autorisierte Servicecenter durchgeführt und immer Makita-Ersatzteile verwendet werden.

ZUBEHÖR

ACHTUNG:

- Die folgenden Zubehör- und Zusatzteile werden für das in diesem Handbuch beschriebene Makita-Werkzeug empfohlen. Die Verwendung anderer Zubehör- und Zusatzteile kann zu Personenschäden führen. Verwenden Sie Zubehör- und Zusatzteile nur für den vorgesehenen Zweck.

Informationen zu diesem Zubehör erhalten Sie bei einem Makita-Servicecenter in Ihrer Nähe.

- Sägeblätter
- Führungsschiene
- Parallelanschlag (Führungslinial)
- Gehrungsfugenlehre
- Klemme
- Inbusschlüssel
- Schutzblech für Führungsschiene
- Gummi-Schutz für Führungsschiene
- Positionsschutz für Führungsschiene

Spiegazione della vista generale

- | | | |
|--|--|---|
| 1. Vite di serraggio | 13. Manopola di regolazione della velocità | 25. Guida di taglio (regolo guida) |
| 2. Fermo per limite inferiore lama | 14. Chiave esagonale | 26. Parte posteriore della base dell'utensile |
| 3. Pulsante di arresto rapido | 15. Levetta di blocco | 27. Arresto fisso |
| 4. Viti di serraggio | 16. Blocco dell'albero | 28. Vite di regolazione per il taglio a 90° |
| 5. Base dell'utensile | 17. Bullone esagonale | 29. Vite di regolazione per il taglio a 45° |
| 6. Fermo positivo | 18. Flangia esterna | 30. Indicatore di limite |
| 7. Leva | 19. Lama della sega | 31. Cacciavite |
| 8. Leva di regolazione dell'angolo di taglio obliquo | 20. Flangia interna | 32. Coperchio portaspazzola |
| 9. Base | 21. Aspiratore | |
| 10. Linea di taglio | 22. Area di espulsione della polvere | |
| 11. Sicura di accensione | 23. Viti di regolazione | |
| 12. Interruttore | 24. Leva di scorrimento | |

CARATTERISTICHE TECNICHE

Modello		SP6000
Diametro lama		165 mm
Profondità massima di taglio	a 90°	56 mm
	a 45°	40 mm
	a 48°	38 mm
Velocità a vuoto (min ⁻¹)		2.000 - 5.200
Lunghezza totale		341 mm
Peso netto		4,1 kg
Classe di sicurezza		II/II

- Le caratteristiche tecniche riportate di seguito sono soggette a modifiche senza preavviso in virtù del nostro programma continuo di ricerca e sviluppo.
- Nota: le caratteristiche tecniche possono differire da paese a paese.

Simboli

END201-2

Il seguente elenco riporta i simboli utilizzati per l'apparecchio. È importante conoscerne il significato prima di utilizzare l'utensile.



..... Leggere il manuale di istruzioni.



..... ISOLAMENTO DOPPIO

Uso previsto

ENE067-1

L'utensile è progettato per in modo particolare per l'esecuzione di tagli ad immersione. Inoltre è possibile eseguire tagli in legno, sia dritti in senso longitudinale e trasversale, sia obliqui, mantenendo un saldo contatto con il pezzo in lavorazione.

Alimentazione

ENF002-1

L'utensile deve essere collegato a una presa di corrente con la stessa tensione di quella indicata sulla targhetta e può funzionare soltanto con corrente alternata monofase. L'utensile è dotato di doppio isolamento in osservanza alle norme europee, potendo quindi essere usato anche con prese di corrente sprovviste della messa a terra.

REGOLE DI SICUREZZA SPECIFICHE

GEB031-1

NON lasciare che la familiarità acquisita con il prodotto in seguito all'uso ripetuto provochi l'inosservanza delle regole di sicurezza della sega circolare. Se questo utensile viene utilizzato in modo improprio o errato, è possibile subire lesioni personali gravi.

Pericolo

- Mantenere le mani lontane dall'area di taglio e dalla lama. Posare la mano che non impugna l'utensile sulla maniglia ausiliaria o sull'involucro del motore.** Se entrambe le mani vengono utilizzate per tenere la sega, non potranno essere colpite dalla lama.
- Non osservare il pezzo in lavorazione dalla parte inferiore o dalla base dell'utensile.** Il coprilama non ha alcuna funzione di protezione al di sotto del pezzo in lavorazione. Non rimuovere il materiale residuo della lavorazione se la lama è in movimento. **ATTENZIONE** Le lame continuano a ruotare per inerzia dopo lo spegnimento dell'utensile. Prima di rimuovere il materiale residuo della lavorazione, attendere che la lama si arresti completamente.

3. **Regolare la profondità di taglio in base allo spessore del pezzo in lavorazione.** La lama deve sporgere al di sotto del pezzo in lavorazione per meno della lunghezza di uno dei suoi denti.

4. **Non tenere mai il pezzo da tagliare tra le mani o sulle gambe. Fissare il pezzo in lavorazione a una superficie stabile.** Per la sicurezza personale è importante ridurre al minimo l'eventualità di contatto con il corpo, di blocco della lama o di perdita del controllo dell'utensile.

La figura illustra il corretto metodo di posizionamento delle mani, di supporto del pezzo in lavorazione e della disposizione del cavo di alimentazione, se applicabile. (Fig. 1)

5. **Se vengono eseguite operazioni in cui l'utensile di taglio può toccare fili nascosti o il filo di alimentazione di questo stesso utensile, sorreggere gli attrezzi dai punti di presa isolati.** Il contatto con un filo percorso da corrente farà sì che le parti metalliche esposte dell'utensile si trovino anch'esse sotto tensione provocando scosse elettriche all'operatore.

6. **Quando si eseguono tagli longitudinali, utilizzare sempre una guida di taglio.** In tal modo il taglio risulterà più accurato e il rischio di blocco della lama sarà ridotto.

7. **Utilizzare sempre lame con le appropriate dimensioni e sagoma (romboidale o rotonda) del foro dell'albero.** Le lame che non corrispondono alla sagoma o al supporto di montaggio della sega determinano una rotazione eccentrica e possono provocare la perdita del controllo dell'utensile.

8. **Non utilizzare rondelle o bulloni danneggiati o inappropriati per la lama.** Le rondelle e i bulloni forniti sono progettati appositamente per la sega e garantiscono prestazioni migliori e maggiore sicurezza.

9. **Causa e prevenzione dei contraccolpi**

- Un contraccolpo è una reazione improvvisa dovuta a frizioni, ostacoli o disallineamenti della lama di taglio, che provoca il sollevamento improvviso della sega. Quest'ultima può allontanarsi dal pezzo in lavorazione e muoversi in direzione dell'operatore.
- Quando la lama è ostacolata o bloccata dalla chiusura delle due estremità del taglio, rimane in fase di stallo e la reazione del motore fa sì che la lama si muova rapidamente all'indietro verso l'operatore.
- Se la lama si incurva o si disallinea rispetto al taglio, i denti del bordo posteriore della lama colpiscono la superficie superiore del legno provocando la fuoriuscita della lama dal taglio e il movimento improvviso dell'utensile verso l'operatore.

I contraccolpi sono determinati dall'uso improprio della sega e/o da procedure o condizioni operative errate e possono essere evitati adottando le specifiche precauzioni illustrate di seguito.

- **Mantenere una salda presa con entrambe le mani sull'utensile e posizionare le braccia in**

modo da poter contrastare efficacemente i contraccolpi. Posizionare il corpo a destra o a sinistra della lama, evitando di allinearli con la lama stessa. I contraccolpi possono provocare uno spostamento improvviso dell'utensile all'indietro, ma possono essere controllati dall'operatore adottando precauzioni appropriate.

- **Quando la lama è ostacolata o se si desidera interrompere il taglio per qualsiasi motivo, lasciare l'interruttore e attendere l'arresto completo della lama senza spostare la sega dal pezzo in lavorazione. Per evitare contraccolpi, non rimuovere la sega dal pezzo in lavorazione e non tirarla all'indietro mentre la lama è in movimento.** Esaminare le condizioni operative e attuare gli interventi necessari per eliminare le cause del blocco della lama.
- **Quando si riavvia la sega con la lama inserita nel pezzo in lavorazione, centrare accuratamente la lama nel taglio e controllare che i denti non siano inseriti nel materiale.** Se la lama è bloccata o ostacolata, il riavvio della sega può provocare l'innalzamento improvviso dell'utensile o un contraccolpo.
- **Per ridurre il rischio di ostacolare la lama o eventuali contraccolpi, sostenere adeguatamente i pannelli di grandi dimensioni da tagliare.** I pannelli di grandi dimensioni tendono a flettersi sotto il loro stesso peso. Collocare i sostegni al di sotto del pannello su entrambi i lati, sia vicino alla linea di taglio che all'estremità del pannello.

Per ridurre il rischio di ostacolare la lama o il verificarsi di contraccolpi, qualora occorra lasciare la sega sul pezzo in lavorazione, accertarsi di collocarla sulla parte più ampia e di lasciare libera di cadere la parte più piccola.

Per evitare contraccolpi, sostenere i pannelli vicino alla linea di taglio. (Fig. 2)

Non applicare i sostegni dei pannelli lontano dalla linea di taglio. (Fig. 3)

- **Non utilizzare lame non affilate o danneggiate.** Lame non affilate o in condizioni improprie producono tagli di spessore limitato e determinano il blocco della lama, una frizione eccessiva e pericolosi contraccolpi. Mantenere le lame affilate e pulite. Residui o incrostazioni di collanti e resina sulle lame possono rallentare il taglio e aumentare la possibilità di contraccolpi. Per pulire la lama, rimuoverla dall'utensile ed eliminare le incrostazioni con un solvente appropriato, acqua calda o kerosene. Non utilizzare benzina.
- **Prima di eseguire il taglio, accertarsi di aver serrato accuratamente le leve di regolazione della profondità e dell'angolazione di taglio.** Se le leve di regolazione si muovono durante il taglio, la lama potrebbe bloccarsi e potrebbero verificarsi contraccolpi.
- **Prestare particolare attenzione nel caso sia necessario eseguire tagli "ad immersione" inserendo la lama in una parete esistente o in**

un'altra superficie chiusa. Avanzando, la parte sporgente della lama può colpire oggetti non visibili e determinare un contraccolpo.

- **Tenere SEMPRE saldamente l'utensile con entrambe le mani. NON porre mai le proprie mani, gambe o qualsiasi altra parte del corpo sotto la base dello strumento o dietro la sega, soprattutto quando vengono effettuati tagli trasversali.** In caso di contraccolpi, la sega potrebbe arretrare improvvisamente e colpire le mani, determinando gravi lesioni. (Fig. 4)
 - **Non forzare mai la sega. In caso contrario il taglio non è netto, risulta inaccurato e si possono verificare contraccolpi.** Spingere la sega in avanti a una velocità tale che la lama esegua il taglio senza subire rallentamenti.
10. **Prima di utilizzare la sega, assicurarsi che il coprilama sia posizionato correttamente. Non utilizzare la sega se il coprilama non è libero di muoversi e di chiudere la lama all'istante. Non bloccare il coprilama quando la lama è esposta.** In caso di caduta accidentale dell'utensile, il coprilama potrebbe deformarsi. Accertarsi che il coprilama sia libero di muoversi e che non tocchi la lama o altre parti dell'utensile, eseguendo prove con diverse angolazioni e profondità di taglio.
 11. **Controllare il funzionamento e le condizioni della molla di ritorno del coprilama. Se il coprilama e la molla non funzionano correttamente, prima di utilizzare la sega è necessario ripristinarne l'efficienza con gli opportuni interventi di manutenzione e/o riparazione.** Parti danneggiate e incrostazioni di resine, collanti o residui di lavorazione possono pregiudicare il corretto funzionamento del coprilama.
 12. **Accertarsi che la placchetta di guida della sega non possa spostarsi durante l'esecuzione del "taglio a immersione" se l'impostazione di taglio obliquo della lama è diversa da 90°.** Lo spostamento laterale della lama può provocare il blocco della lama ed eventuali contraccolpi.
 13. **Prima di collocare la sega sul banco o sul pavimento, accertarsi sempre che il coprilama copra la lama.** Se la lama non è protetta ed + in rotazione, la sega si sposterà all'indietro tagliando tutto ciò che incontra sul suo percorso. Prestare attenzione al tempo necessario per il completo arresto della lama dopo aver rilasciato l'interruttore.
 14. **Prestare particolare attenzione qualora si eseguano tagli in legno umido, truciolato o legno con nodi.** Regolare la velocità di taglio in modo che la sega avanzi con regolarità e la rotazione della lama non venga rallentata.
 15. **Evitare di tagliare chiodi. Prima di eseguire il taglio, esaminare attentamente il pezzo in lavorazione e rimuovere eventuali chiodi.**
 16. **Collocare la superficie più ampia della base della sega sulla parte del pezzo in lavorazione che poggia sui sostegni, non sulla parte destinata a cadere una volta eseguito il taglio. A titolo di esempio, la Fig. 5 illustra il metodo di taglio**

CORRETTO, mentre la Fig. 6 mostra quello NON CORRETTO. Se il pezzo in lavorazione è di dimensioni ridotte, bloccarlo in una morsa. NON TENERE PEZZI DI RIDOTTE DIMENSIONI CON LE MANI.

17. **Non utilizzare la sega circolare capovolgendola e bloccandola in una morsa. Si tratta di una modalità operativa estremamente pericolosa che può provocare incidenti di grave entità. (Fig. 7)**
18. **Alcuni materiali contengono prodotti chimici che possono essere tossici. Evitare l'inalazione della polvere e il contatto con la pelle. Attenersi alle istruzioni per la sicurezza del fornitore dei materiali.**
19. **Non arrestare la lama applicando una pressione laterale sulla lama stessa.**
20. **Utilizzare esclusivamente le lame indicate nel presente manuale. Non utilizzare dischi abrasivi.**
21. **Quando si utilizza lo strumento, indossare una protezione acustica e una maschera antipolvere.**

CONSERVARE LE PRESENTI ISTRUZIONI.

AVVERTENZA

L'USO IMPROPRIO o la mancata osservanza delle norme di sicurezza contenute in questo manuale può provocare lesioni personali gravi.

DESCRIZIONE FUNZIONALE

ATTENZIONE

- Prima di regolare o controllare le funzioni dell'utensile, verificare sempre di averlo spento e scollegato dall'alimentazione.

Regolazione della profondità di taglio (Fig. 8)

ATTENZIONE

- Dopo aver regolato la profondità di taglio, stringere accuratamente la vite di serraggio.

Allentare le vite di serraggio sulla guida di profondità e spostare il fermo per il limite inferiore della lama sulla profondità desiderata indicata dalla targhetta di misurazione. Alla profondità di taglio desiderata, stringere saldamente la vite di serraggio.

Per garantire la massima sicurezza e accuratezza, impostare la profondità di taglio in modo che dal pezzo in lavorazione fuoriesca solo un dente della lama. Una regolazione corretta della profondità di taglio consente di ridurre l'eventualità di pericolosi CONTRACCOLPI che possono provocare lesioni personali.

NOTA

- L'impostazione del fermo per il limite inferiore della lama sulla profondità desiderata indicata dalla targhetta di misurazione permette di impostare una profondità di taglio approssimativa. Per una profondità di taglio accurata, misurare l'effettiva sporgenza della lama della sega sotto la base dell'utensile.

Pulsante di arresto rapido per profondità di taglio di 2-3 mm durante l'uso del binario guida (accessori) (Fig. 9 e 10)

L'utensile dispone del pulsante di arresto rapido per tagli con profondità compresa tra 2 e 3 mm; si trova sul telaio esterno, in prossimità della maniglia posteriore, quando è in uso il binario guida. Viene utilizzato per evitare schegge sul pezzo in lavorazione. Effettuare un primo passaggio di taglio 2-3 mm, quindi un altro passaggio di taglio consueto.

Per ottenere la profondità di taglio 2-3 mm, premere il pulsante di arresto verso la lama della sega. È una procedura comoda per evitare schegge sul pezzo in lavorazione.

Per sbloccare la posizione e consentire di nuovo una profondità di taglio libera, è sufficiente rilasciare il pulsante.

Tagli obliqui (Fig. 11)

Inclinazione verso destra (Fig. 12 e 13)

Ruotare il fermo positivo in modo che la freccia sia rivolta in una delle due posizioni specificate: verticale per 22,5°, orizzontale per 45°. Allentare le viti di serraggio anteriori e posteriori, quindi inclinare la base dell'utensile fino al punto di arresto e fissarla con le viti di serraggio.

Per ottenere un angolo obliquo di 48°, spostare la leva verso l'indicatore 48° fino all'arresto della leva stessa.

Ruotare il fermo positivo in modo che la freccia si trovi in posizione orizzontale, quindi inclinare la base dell'utensile fino al punto di arresto e fissarla con le viti di serraggio.

Inclinazione verso sinistra (Fig. 14)

L'utensile può essere inclinato verso sinistra con un angolo di 1°. Per ottenere l'angolo obliquo di 1° verso sinistra, allentare le viti di serraggio anteriori e posteriori, inclinare leggermente la maniglia dell'utensile verso destra e premere contemporaneamente le due leve di regolazione dell'angolo di taglio obliquo nella direzione della freccia con indicatore - 1. Successivamente inclinare la maniglia dell'utensile verso sinistra premendo contemporaneamente le due leve. Fissare la base con le viti di serraggio.

NOTA

- Riportando la lama all'angolazione consueta, la leva di regolazione ritorna automaticamente nella posizione 0°.

Allineamento (Fig. 15)

Utilizzo dell'utensile senza binario guida (accessori)

Per tagli dritti, allineare la linea di taglio con la posizione A sulla parte frontale della base. Per tagli obliqui a 45°, allineare la linea di taglio alla posizione B.

Utilizzo dell'utensile con binario guida (accessori)

Per tagli dritti e obliqui a 45°, allineare sempre la linea di taglio con la posizione A sulla parte frontale della base.

Azionamento dell'interruttore (Fig. 16)

ATTENZIONE

- Prima di collegare l'utensile, controllare se l'interruttore funziona correttamente e ritorna alla posizione "OFF" una volta rilasciato.

La sicura previene l'azionamento involontario dell'interruttore di accensione. Per accendere l'utensile spingere la sicura e premere l'interruttore di accensione. Per spegnere l'utensile, rilasciare l'interruttore.

Manopola di regolazione della velocità (Fig. 17)

La velocità dell'utensile può essere regolata infinitamente tra 2.000 e 5.200 rotazioni al minuto girando la ghiera di regolazione. La velocità più alta si ottiene girando la ghiera nella direzione del numero 6; la velocità più bassa si ottiene girando la ghiera nella direzione del numero 1. Consultare la tabella per selezionare la velocità corretta per il pezzo da tagliare. Tuttavia, la velocità appropriata dipende anche dal tipo e dallo spessore del pezzo in lavorazione. In genere, velocità superiori consentono un taglio più rapido dei pezzi, ma riducono la durata di servizio della lama.

Numero	min ⁻¹
1	2.000
2	2.200
3	3.100
4	4.000
5	4.900
6	5.200

ATTENZIONE

- La ghiera di regolazione della velocità può essere girata soltanto fino a 6 o indietro fino a 1. Non forzarla oltre 6 o 1, altrimenti potrebbe non funzionare più correttamente.
- La ghiera di regolazione della velocità non è progettata per l'uso di lame a bassa velocità, ma per il raggiungimento di una velocità adatta al materiale del pezzo in lavorazione. Utilizzare solo lame adatte ad almeno 5.200 min⁻¹.

Gli utensili dotati di funzione elettronica sono di facile utilizzo grazie alle seguenti caratteristiche.

Protezione sovraccarico

Quando l'utensile è sovraccarico e la corrente supera un determinato livello, l'utensile si arresta automaticamente per proteggere il motore.

Controllo costante della velocità

Il controllo elettronico della velocità permette di ottenere una velocità costante. Consente finiture precise grazie alla costanza della velocità di rotazione anche in condizioni di carico.

Funzione di avvio morbido

L'avvio morbido permette di rimuovere colpi e scosse iniziali.

MONTAGGIO

ATTENZIONE

- Accertarsi sempre che l'utensile sia spento e scollegato dalla presa di corrente prima di iniziare qualsiasi operazione su di esso.

Allarggiamento della chiave esagonale (Fig. 18)

La chiave esagonale è conservata sull'utensile. Per rimuovere la chiave esagonale è sufficiente estrarla.

Per installare la chiave esagonale, collocarla sull'impugnatura e inserirla fino all'arresto.

Installazione o rimozione della lama della sega

ATTENZIONE

- Non utilizzare lame che non risultano conformi alle caratteristiche specificate in queste istruzioni.
- Utilizzare solo lame adatte ad almeno 5.200 min⁻¹.
- Assicurarsi che la lama sia installata in modo che i denti siano rivolti verso la parte frontale dell'utensile.
- Per installare o rimuovere la lama utilizzare solo la chiave fornita da Makita.

Per rimuovere la lama, premere la sicura per sbloccare il fermo di limite superiore. (Fig. 19)

Ruotare la leva di blocco per bloccare la testa della sega e sostituire la lama. (Fig. 20)

Dopo aver rilasciato la sicura e ruotato la leva di blocco, abbassare la maniglia in modo che il perno di blocco si inserisca nella scanalatura formata dalla leva di blocco e dalla guida di profondità con targhetta di misurazione.

Accertarsi che il perno di blocco sia inserito nella scanalatura.

Premere a fondo il blocco dell'albero in modo che la lama non possa ruotare e utilizzare la chiave per allentare il bullone esagonale in senso antiorario. Rimuovere il bullone esagonale, la flangia esterna e la lama. (Fig. 21)

Per installare la lama, attenersi alla procedura di installazione procedendo in senso inverso. **ACCERTARSI DI AVER FISSATO SALDAMENTE IL BULLONE ESAGONALE RUOTANDOLO IN SENSO ORARIO.** (Fig. 22)

Collegamento di un aspiratore (Fig. 23)

Se si desidera eseguire tagli senza produrre polvere, collegare all'utensile un aspiratore Makita. Collegare quindi il tubo dell'aspiratore all'area di espulsione della polvere, come illustrato nella figura.

FUNZIONAMENTO

Taglio di profili (uso ordinario della sega) (Fig. 24)

ATTENZIONE

- Accertarsi di spostare in avanti l'utensile procedendo in linea retta con regolarità e senza esercitare una pressione eccessiva. Se si forza o si sposta dalla linea di taglio l'utensile, il motore può surriscaldarsi e si

possono verificare pericolosi contraccolpi che possono determinare lesioni personali gravi.

- Non avvicinare mai le parti del corpo all'area inferiore della base dell'utensile durante il taglio di profili, in particolare modo all'inizio. Diversamente, è possibile provocare lesioni personali gravi. La lama è esposta nella parte inferiore della base dell'utensile.

Tenere l'utensile saldamente. L'utensile viene fornito con un'impugnatura frontale e una maniglia posteriore.

Utilizzarle entrambe per garantire la presa più sicura. Se entrambe le mani vengono utilizzate per tenere la sega, non potranno essere colpite dalla lama. Collocare la parte anteriore della base sul pezzo in lavorazione senza che la lama entri in contatto con il materiale da tagliare. Premere la sicura, accendere l'utensile e attendere che la lama raggiunga la massima velocità. Premere lentamente la testa della sega fino alla profondità di taglio definita, quindi far avanzare l'utensile sulla superficie del pezzo in lavorazione, procedendo in piano e con regolarità fino al completamento del taglio.

Per ottenere tagli netti e accurati, avanzare in linea retta e con velocità costante. Se durante il taglio si devia dalla linea prevista, evitare di ruotare o forzare l'utensile in modo da ritornare sulla linea di taglio, perché la lama potrebbe bloccarsi e provocare pericolosi contraccolpi e lesioni personali. Rilasciare l'interruttore, attendere che la lama si arresti e quindi rimuovere l'utensile. Riallineare l'utensile con la nuova linea di taglio e riprendere la lavorazione. Evitare le posizioni che espongono l'operatore ai trucioli e alla polvere espulsi dalla sega. Per una maggiore sicurezza, indossare una protezione per gli occhi.

Utilizzo del binario guida (accessori) (Fig. 25 e 26)

Posizionare l'utensile all'estremità posteriore del binario guida. Ruotare due viti di regolazione sulla base dell'utensile, in modo che l'utensile scorra senza produrre rumori. Tenere l'utensile in modo saldo. L'utensile viene fornito con un'impugnatura frontale e una maniglia posteriore. Utilizzarle entrambe per garantire la presa più sicura. Accendere l'utensile, premerlo secondo la profondità di taglio definita e tagliare il paraschegge per l'intera lunghezza, con un'unica operazione. Il margine del paraschegge corrisponde al margine di taglio.

Per il taglio obliquo con binario guida, far scorrere la leva di regolazione sulla base dell'utensile in modo che l'utensile non cada lateralmente.

Spostare la leva di regolazione sulla base dell'utensile nella direzione della freccia, in modo che venga ingranato nella scanalatura di taglio laterale del binario guida.

Guida di taglio (regolo guida) (accessori) (Fig. 27)

La pratica guida di taglio consente di realizzare tagli dritti accuratissimi. Far scorrere la guida di taglio mantenendola aderente a un lato del pezzo in lavorazione e fissarla in posizione con le viti sulle parti anteriore e posteriore della base. La guida consente inoltre di realizzare tagli ripetuti mantenendo uniforme la larghezza del taglio.

Una rotazione eccessiva della guida di taglio (regolo guida) ne consente l'uso come base secondaria per l'utensile.

Taglio a immersione (esclusione) (Fig. 28)

AVVERTENZA

- Per evitare contraccolpi, osservare le seguenti istruzioni.

Utilizzo dell'utensile senza binario guida

Posizionare l'utensile sul pezzo in lavorazione, con il margine posteriore della base dell'utensile in prossimità di un arresto fisso o equivalente, concepito dall'operatore.

Utilizzo dell'utensile con binario guida

Posizionare l'utensile sul binario guida, con il margine posteriore della base dell'utensile in prossimità di un arresto fisso o equivalente, bloccato sul binario guida.

Tenere saldamente l'utensile con una mano sull'impugnatura anteriore e l'altra mano sulla maniglia dell'utensile. Premere la sicura, accendere l'utensile e attendere che la lama raggiunga la massima velocità. Premere lentamente la testa della sega fino alla profondità di taglio definita, quindi far avanzare l'utensile verso la posizione di taglio a immersione desiderata.

NOTA

- I contrassegni a lato del coprilama indicano i punti di taglio anteriore e posteriore assoluti della lama (A per diametro 160 mm, B per diametro 165 mm) alla massima profondità di taglio e con uso del binario guida. (Fig. 29)

Dispositivo guida (accessori)

Utilizzare la guida per augnature (accessori) per effettuare augnature con angoli e opere di adattamento.

L'utilizzo della brida (accessori) garantisce un blocco saldo del pezzo in lavorazione sul banco.

MANUTENZIONE

ATTENZIONE

- Prima di effettuare controlli e operazioni di manutenzione, verificare sempre che l'utensile sia spento e scollegato.

Regolazione dell'impostazione di taglio a 90° e 45° (taglio verticale e a 45°) (Fig. 30 e 31)

Questa regolazione è preimpostata dal produttore. In caso fosse necessario correggerla, mettere a punto l'impostazione con le viti di regolazione utilizzando una chiave esagonale e controllando che la lama formi un angolo di 90° o 45° con la base mediante una squadra triangolare oppure ad angolo retto.

NOTA

- La regolazione dell'accuratezza di taglio a 22,5°, 48° e -1° non può essere effettuata.

Sostituzione delle spazzole di carbone (Fig. 32 e 33)

Rimuovere e controllare periodicamente le spazzole di carbone.

Sostituire le spazzole quando sono consumate fino all'indicatore di limite. Mantenere le spazzole di carbone pulite e libere di scorrere nei supporti.

Entrambe le spazzole di carbone devono essere sostituite contemporaneamente. Utilizzare solo spazzole di carbone dello stesso tipo.

Rimuovere i coperchi dei portaspazzola con un cacciavite.

Estrarre le spazzole di carbone consumate, inserire le nuove spazzole e fissare le protezioni dei portaspazzola.

Per garantire la SICUREZZA e l'AFFIDABILITÀ del prodotto, le riparazioni e qualsiasi altra operazione di manutenzione o regolazione devono essere eseguite dai centri di assistenza autorizzati Makita utilizzando sempre parti di ricambio Makita.

ACCESSORI

ATTENZIONE

- L'utensile Makita descritto in questo manuale può essere utilizzato con questi accessori. L'uso di qualsiasi altro accessorio potrebbe provocare lesioni personali. Utilizzare gli accessori esclusivamente per l'uso dichiarato.

Per l'assistenza e ulteriori informazioni su tali accessori, rivolgersi al centro di assistenza Makita locale.

- Lama della sega
- Binario guida
- Guida di taglio (regolo guida)
- Guida per augnature
- Morsetto
- Chiave esagonale
- Set lamine per binario guida
- Set lamine in gomma per binario guida
- Set lamine di posizione per binario guida

NEDERLANDS

Verklaring van algemene gegevens

1. Klembout	12. Aan/uit-schakelaar	23. Stelschroeven
2. Zaagdieptebegrenzer	13. Snelheidsregelaar	24. Schuifhendel
3. Snelstopknop	14. Inbussleutel	25. Breedtegeleider (liniaal)
4. Klemschroeven	15. Vergrendelhendel	26. Achterrand van zoolplaat
5. Zoolplaat	16. Asvergrendeling	27. Vergrendelde stand
6. Positieve stop	17. Zeskantbout	28. Stelschroef voor 90°
7. Hendel	18. Buitenflens	29. Stelschroef voor 45°
8. Verstelhendel verstekhoek	19. Zaagblad	30. Slijtgrensmarkering
9. Zool	20. Binnenflens	31. Schroevendraaier
10. Zaaglijn	21. Stofzuiger	32. Koolborsteldop
11. Uit-vergrendelknop	22. Stofmond	

TECHNISCHE GEGEVENS

Model		SP6000
Diameter zaagblad		165 mm
Max. zaagdiepte	bij 90°	56 mm
	bij 45°	40 mm
	bij 48°	38 mm
Nullastoerental (min ⁻¹)		2.000 - 5.200
Totale lengte		341 mm
Netto gewicht		4,1 kg
Veiligheidsklasse		II

- Als gevolg van ons doorlopende onderzoeks- en ontwikkelingsprogramma, kunnen de technische gegevens van dit gereedschap zonder voorafgaande kennisgeving worden gewijzigd.
- Opmerking: De technische gegevens kunnen van land tot land verschillen.

Symbolen

END201-2

Hieronder vindt u de symbolen die voor dit gereedschap worden gebruikt.

Zorg ervoor dat u weet wat ze betekenen voordat u het gereedschap in gebruik neemt.



..... Lees de handleiding.



..... DUBBEL GEÏSOLEERD

Toepassingsmogelijkheden

ENE067-1

Dit gereedschap is speciaal bedoeld voor blindzagen.

Bovendien kunt u in hout overlans en overdwars recht zagen en verstekzagen waarbij de zaag stevig contact houdt met het werkstuk.

Voeding

ENF002-1

De cirkelzaag mag uitsluitend worden aangesloten op een stopcontact met dezelfde spanning als aangegeven op het identificatieplaatje en het werkt alleen op enkelfasige wisselstroom. De cirkelzaag is dubbel geïsoleerd volgens de Europese norm en mag derhalve ook op een niet-geaard stopcontact worden aangesloten.

SPECIFIEKE VEILIGHEIDSVOORSCHRIFTEN

GEB031-1

Laat u NIET misleiden door een vals gevoel van gemak en bekendheid met het gereedschap (na veelvuldig gebruik) en neem alle veiligheidsvoorschriften voor de cirkelzaag altijd strikt in acht. Bij onveilig of verkeerd gebruik van de cirkelzaag bestaat de kans op ernstig persoonlijk letsel.

Gevaar:

1. **Houd uw handen uit de buurt van het zaaggebied en het zaagblad. Houd met uw andere hand de voorhandgreep of het motorhuis vast.** Als u de cirkelzaag met beide handen vasthoudt, kunt u nooit in uw handen zagen.
2. **Reik met uw handen nooit onder het werkstuk of de zoolplaat van de zaag.** De beschermkap kan u onder het werkstuk niet tegen het zaagblad beschermen. Probeer niet afgezaagd materiaal te verwijderen terwijl het zaagblad nog draait. LET OP: Het zaagblad draait nog na nadat het gereedschap is uitgeschakeld. Wacht totdat het zaagblad volledig tot stilstand is gekomen voordat u het afgezaagde materiaal vastpakt.
3. **Pas de zaagdiepte bij de dikte van het werkstuk aan.** Minder dan een volledige tandhoogte dient onder het werkstuk uit te komen.

4. **Houd het werkstuk waarin wordt gezaagd nooit met uw handen of benen vast. Zet het werkstuk op een stevige ondergrond vast.** Het is belangrijk het werkstuk goed te ondersteunen om uw lichaam te beschermen en om te voorkomen dat het zaagblad vastloopt of dat u de controle over het gereedschap verliest.

Karakteristieke afbeelding met de juiste stand van de handen, de ondersteuning van het werkstuk en de geleiding van de netstroomkabel (indien van toepassing). (zie afb. 1)

5. **Houd elektrisch gereedschap vast bij het geïsoleerde oppervlak van de handgrepen wanneer u werkt op plaatsen waar het zaaggereedschap in aanraking kan komen met verborgen bedrading of zijn eigen netkabel.** Door contact met stroomdraden komen ook de blote metalen delen van het elektrisch gereedschap onder spanning te staan waardoor de gebruiker een schok kan krijgen.
6. **Gebruik bij het schulpen altijd een breedtegeleider of langseleider.** Hierdoor zaagt u nauwkeuriger en wordt de kans op vastlopen van het zaagblad kleiner.
7. **Gebruik altijd zaagbladen met doorgaten van de juiste afmetingen en vorm (diamant versus rond).** Zaagbladen die niet exact op de bevestigingspunten van de cirkelzaag passen, gaan excentrisch draaien waardoor u de controle over het gereedschap verliest.
8. **Gebruik nooit beschadigde of verkeerde bouten en ringen om het zaagblad te bevestigen.** De bouten en ringen voor de bevestiging van het zaagblad zijn speciaal voor uw cirkelzaag gemaakt, voor optimale prestaties en veilig gebruik.
9. **Oorzaken van terugslag en wat u als gebruiker hieraan kunt doen:**

- terugslag is een plotselinge reactie op een bekneld, vastgelopen of niet-uitgelijnd zaagblad waardoor de oncontroleerbare cirkelzaag omhoog uit het werkstuk springt en in de richting van de gebruiker gaat.
- wanneer het zaagblad in een taps toelopende zaagsnede bekneld raakt of vastloopt, kan de machine door de reactie de motor in de richting van de gebruiker klappen;
- als het zaagblad in de zaagsnede verbogen of ontzet raakt, kunnen de tanden aan de achterrand van het zaagblad zich boven in het werkstuk vreten waardoor het zaagblad uit de zaagsnede klimt en terugslaat in de richting van de gebruiker.

Terugslag is het gevolg van verkeerd gebruik van de cirkelzaag en/of onjuiste gebruiksprocedures of -omstandigheden en kan worden voorkomen door goede voorzorgsmaatregelen te treffen zoals hieronder aangegeven.

- **Houd de cirkelzaag met beide handen stevig vast en houd uw armen zó dat u een terugslag kunt opvangen. Plaats uw lichaam schuin achter het zaagblad en niet in een rechte lijn erachter.** Door terugslag kan de cirkelzaag naar achter springen maar met de juiste

voorzorgsmaatregelen kunt u de kracht van de terugslag opvangen.

- **Wanneer het zaagblad vastloopt of wanneer u om een of andere reden het zagen onderbreekt, laat de aan/uit-schakelaar dan los en houd de cirkelzaag stil in het materiaal totdat het zaagblad volledig stil staat. Probeer nooit het zaagblad uit het werkstuk te halen of de cirkelzaag naar achteren te trekken terwijl het zaagblad nog draait omdat hierdoor een terugslag kan optreden.** Onderzoek waarom het zaagblad is vastgelopen en tref maatregelen om de oorzaak van het vastlopen te voorkomen.
- **Wanneer u de cirkelzaag weer inschakelt terwijl het zaagblad in het werkstuk zit, plaats dan het zaagblad in het midden van de zaagsnede en controleer of de tanden niet in het materiaal grijpen.** Als het zaagblad is vastgelopen kan het bij inschakeling van de cirkelzaag uit het werkstuk omhoog komen of terugslaan.
- **Ondersteun grote platen om de kans te verkleinen dat het zaagblad bekneld raakt of terugslaat.** Grote platen neigen ertoe onder hun eigen gewicht door te zakken. Ondersteun de plaat aan beide zijden en wel bij de zaaglijn en bij de rand van de plaat

om te kans te verkleinen dat het zaagblad vastloopt of terugslaat. Wanneer de zaagbewerking het nodig maakt de cirkelzaag op het werkstuk te laten rusten, moet de zaag op het breedste deel rusten terwijl het smalste deel wordt afgezaagd.

Ondersteun de plank of plaat vlakbij de zaaglijn om terugslag te voorkomen. (zie afb. 2)

Ondersteun de plank of plaat niet op afstand van de zaaglijn. (zie afb. 3)

- **Gebruik geen botte of beschadigde zaagbladen.** Niet-geslepen of verkeerd gezette tanden maken een smalle zaagsnede wat leidt tot grote wrijving, vastlopen en terugslag. Houd zaagbladen scherp en schoon. Gom of hars die zich op het zaagblad hebben vastgezet, remmen de zaag en verhogen de kans op terugslag. Houd de zaagbladen schoon door ze te demonteren en vervolgens te reinigen met een gom- of harsoplossend middel, warm water of petroleum. Gebruik nooit benzine.
- **De borghendels voor zaagbladdiepte- en verstekhoekinstelling moeten gesloten zijn voordat u begint te zagen.** Als de zaagbladinstelling tijdens het zagen verandert, kan dit vastlopen of terugslag veroorzaken.
- **Wees extra voorzichtig bij blind zagen in bestaande wanden of op andere plaatsen.** Wanneer het zaagblad door het materiaal heen breekt, kan het objecten raken die een terugslag veroorzaken.
- **Houd de zaag ALTIJD stevig met beide handen vast. Plaats NOOIT een hand, been of een ander lichaamsdeel onder zoolplaat of achter de zaag, speciaal bij het afkorten.** Bij een terugslag kan het zaagblad gemakkelijk achteruit en over uw

hand springen waardoor u ernstig letsel riskeert. (zie afb. 4)

- **U mag de cirkelzaag nooit forceren. Het forceren van het zaagblad kan een onregelmatige zaagsnede, verminderde nauwkeurigheid en zelfs verongeluk veroorzaken.** Duw de cirkelzaag vooruit met een snelheid waarbij het zaagblad zonder vertraging zaagt.
- 10. Controleer altijd vóór het gebruik of de beschermkap goed sluit. Gebruik de zaag niet als de beschermkap niet vrij kan bewegen en het zaagblad niet volledig omsluit. Klem of bind de beschermkap nooit vast als het zaagblad bloot ligt.** Als u de cirkelzaag per ongeluk laat vallen, kan de beschermkap verbogen raken. Controleer of de beschermkap vrij kan bewegen en bij geen enkele zaaghoek en zaagdiepte in aanraking komt met andere onderdelen.
- 11. Controleer de goede werking en de conditie van de trekveer van de beschermkap. Als de beschermkap en de veer niet goed werken, moet u deze laten repareren voordat u de cirkelzaag gebruikt.** De beschermkap kan trager werken door beschadigde onderdelen, gom- of harsafzetting of opeenhoping van vuil.
- 12. Zorg ervoor dat de geleideplaat van de zaag bij blind zagen niet verschuift als de verstekhoek van het zaagblad niet op 90° is afgesteld.** Zijwaarts verschuiven van het zaagblad veroorzaakt vastlopen en waarschijnlijk terugslag.
- 13. Let er altijd op dat de beschermkap het zaagblad bedekt voordat u de cirkelzaag op een werkbank of vloer plaatst.** Door een onbeschermd, nadraaiend zaagblad kan de cirkelzaag achteruit kruipen waarbij alles op zijn weg wordt gezaagd. Na het uitschakelen van de cirkelzaag heeft het zaagblad een bepaalde uitlooptijd tot stilstand nodig.
- 14. Wees extra voorzichtig bij het zagen in vochtig hout, drukbehandeld timmerhout en hout met noesten.** Pas de snelheid van het zagen aan zodat de cirkelzaag soepel vooruit blijft gaan zonder dat de snelheid van het zaagblad terugloopt.
- 15. Voorkom dat u door spijkers zaagt. Inspecteer het hout op spijkers en verwijder ze voordat u begint te zagen.**
- 16. Plaats het brede deel van de zool van de cirkelzaag op het deel van het werkstuk dat stevig is ondersteund en niet op het deel dat na het doorzagen omlaag valt. Als voorbeeld laat afbeelding 5 zien hoe u het uiteinde van een plank GOED afzaagt en afbeelding 6 hoe het NIET moet. Als het werkstuk kort of smal is, klemt u het vast. PROBEER NOOIT EEN KORT WERKSTUK MET DE HAND VAST TE HOUDEN!**
- 17. Probeer nooit te zagen terwijl de cirkelzaag ondersteboven in een bankschroef is geklemd. Dit is hoogst gevaarlijk en kan ernstig persoonlijk letsel veroorzaken. (zie afb. 7)**
- 18. Sommige materialen bevatten chemische stoffen die giftig kunnen zijn. Neem voorzorgsmaatregelen tegen het inademen van**

stof en contact met de huid. Volg de veiligheidsinstructies van de leverancier van het materiaal op.

- 19. Breng het zaagblad niet tot stilstand door zijdelings op het zaagblad te drukken.**
- 20. Gebruik altijd zaagbladen die in deze handleiding worden aanbevolen. Gebruik geen slijpschijven.**
- 21. Draag een stofmasker en gehoorbescherming wanneer u het gereedschap gebruikt.**

BEWAAR DEZE HANDLEIDING.

WAARSCHUWING:

Een **VERKEERD GEBRUIK** van het gereedschap of het veronachtzamen van de veiligheidsinstructies in deze handleiding kan tot ernstig persoonlijk letsel leiden.

BESCHRIJVING VAN DE FUNCTIES

LET OP:

- Zorg er altijd voor dat het gereedschap is uitgeschakeld en de stekker uit het stopcontact is getrokken voordat u de werking of de afstelling van het gereedschap controleert.

Zaagdiepte instellen (zie afb. 8)

LET OP:

- Zet de klemschroef altijd stevig vast nadat u de zaagdiepte hebt ingesteld.

Draai de klemschroef op de dieptegeleider los en plaats de zaagdieptebe grenzer op de gewenste positie op de instelschaal. Draai de klemschroef op de gewenste zaagdiepte stevig vast.

Voor een schone veilige zaagsnede stelt u de zaagdiepte zó in dat maximaal één tandhoogte onder het werkstuk uitsteekt. Door de zaagdiepte goed in te stellen verkleint u de kans op een gevaarlijke **TERUGSLAG** met het risico van persoonlijk letsel.

OPMERKING:

- U stelt de zaagdiepte ruw in door de zaagdieptebe grenzer op de gewenste diepte op de instelschaal in te stellen. Voor een nauwkeurige instelling van de zaagdiepte moet u het werkelijke uitsteeklengte van het zaagblad onder de zoolplaat meten.

Snelstopknop voor 2 tot 3 mm zaagdiepte bij gebruikmaking van een geleiderail (optie) (zie afb. 9 en 10)

Bij dit gereedschap zit de snelstopknop voor 2 tot 3 mm zaagdiepte op het tandwielhuis naast de achterhandgreep bij gebruikmaking van een geleiderail. Deze wordt gebruikt om splinters op het werkstuk in de zaagsnede te voorkomen. Zaag de eerste gang van 2 tot 3 mm diepte en vervolgens een gang op de gebruikelijke diepte.

Om de 2 tot 3 mm zaagdiepte in te stellen drukt u de stopknop in de richting van het zaagblad in. Hierdoor voorkomt u dat zaagsplinters op het werkstuk vallen.

Trek de knop terug om de zaagdiepte vanuit deze stand naar de vrije zaagdiepte terug te zetten.

Verstekzagen (zie afb. 11)

Naar rechts kantelen (zie afb. 12 en 13)

Draai de positieve stop zodat de pijl daarop een van twee standen aanwijst (verticaal voor 22,5°, horizontaal voor 45°). Draai de klemschroeven aan de voor- en achterzijde los. Kantel vervolgens de zool van het gereedschap totdat deze stopt en zet de zool met de klemschroeven vast.

Om een verstekhoek van 48° in te stellen, beweegt u de keuzehendel zo ver mogelijk naar de 48°-markering. Draai de positieve stop zodat de pijl erop de horizontale stand aanwijst. Kantel vervolgens de zool van het gereedschap totdat deze stopt en zet de zool met de klemschroeven vast.

Naar links kantelen (zie afb. 14)

Het gereedschap kan naar de linker 1°-verstekhoek worden gekanteld. Om de linker verstekhoek van 1° in te stellen, draait u de klemschroeven aan de voor- en de achterzijde los, kantelt u de handgreep iets naar rechts en duwt u de twee verstelhendels voor de verstekhoek tegelijkertijd in de richting van de pijl waarop een markering van -1 is aangebracht. Kantel vervolgens de handgreep naar links terwijl u tegelijkertijd tegen deze twee hendels duwt. Zet de zool met de klemschroeven vast.

OPMERKING:

- Bij het terugzetten het zaagblad naar haakse stand keert de verstelhendel vanzelf naar 0° terug.

Zichtlijn (zie afb. 15)

Bij gebruik van de cirkelzaag zonder geleiderail (optie)

Voor recht zagen lijnt u de stand A op de voorkant van de zool uit met de zaaglijn. Voor verstekzagen onder een hoek van 45°, gebruikt u hiervoor stand B.

Bij gebruik van de cirkelzaag met geleiderail (optie)

Voor recht en verstekzagen onder een hoek van 45° moet u de stand A op de voorkant van de zool altijd uitlijnen met de zaaglijn.

Aan/uit-schakelaar (zie afb. 16)

LET OP:

- Controleer altijd voordat u de stekker in het stopcontact steekt of de aan/uit-schakelaar van de cirkelzaag goed werkt en terugkeert naar de uit-stand als u hem loslaat.

Om te voorkomen dat de aan/uit-schakelaar per ongeluk wordt bediend, is een uit-vergrendelknop aangebracht. Om de cirkelzaag te starten, drukt u de vergrendelknop in en haalt u de aan/uit-schakelaar aan.

Laat de aan/uit-schakelaar los om de cirkelzaag te stoppen

Snelheidsregelaar (zie afb. 17)

Door de snelheidsregelaar te verdraaien kunt u de snelheid van de cirkelzaag traploos instellen tussen 2.000 en 5.200 omwentelingen per minuut. Als u de

snelheidsregelaar in de richting van stand 6 draait, wordt de snelheid van het gereedschap hoger. Als u hem in de richting van stand 1 draait, wordt de snelheid lager.

Zie de tabel om de juiste snelheid te kiezen voor het werkstuk dat u wilt zagen. De juiste snelheid is echter ook afhankelijk van de soort en de dikte van het werkstuk. In het algemeen kunt u werkstukken met hogere snelheden sneller zagen maar loopt de levensduur van het zaagblad terug.

Nummer	min ⁻¹
1	2.000
2	2.200
3	3.100
4	4.000
5	4.900
6	5.200

LET OP:

- U kunt de snelheidsregelaar alleen tot aan het cijfer 6 draaien en terug naar 1. Forceer de schijf niet voorbij de 6 of de 1 omdat de snelheidsregeling daardoor onklaar raakt.
- De snelheidsregelaar is niet geschikt voor het gebruik van lagesnelheidszaagbladen maar voor het instellen van een snelheid die geschikt is voor het materiaal van het werkstuk. Gebruik uitsluitend zaagbladen die bedoeld zijn voor snelheden van ten minste 5.200 min⁻¹.

De gereedschappen met elektronische aansturing zijn dankzij de volgende eigenschappen gemakkelijk te bedienen.

Overbelastingsbeveiliging

Als de cirkelzaag overbelast raakt en de stroomsterkte een bepaald niveau overschrijdt, stopt de cirkelzaag automatisch om de motor te beveiligen.

Constance-snelheidsregeling

Elektronische snelheidsregeling waardoor een constante snelheid wordt verkregen. Maakt een onberispelijke afwerking mogelijk omdat de draaisnelheid zelfs onder belasting constant blijft.

Zachte-startfunctie

Maakt een zachte start mogelijk door onderdrukking van de startschak.

ONDERDELEN AANBRENGEN/ VERWIJDEREN

LET OP:

- Controleer altijd of de cirkelzaag is uitgeschakeld en de stekker uit het stopcontact is getrokken voordat u werkzaamheden aan de cirkelzaag uitvoert.

Bergplaats voor inbussleutel (zie afb. 18)

Een inbussleutel wordt op de cirkelzaag bewaard. U kunt de inbussleutel voor gebruik eenvoudig naar buiten trekken.

Om de inbussleutel terug te plaatsen, zet u hem op de handgreep en drukt u hem zover mogelijk naar binnen.

Het zaagblad aanbrengen en verwijderen

LET OP:

- Gebruik geen zaagbladen die niet aan de in deze handleiding aangegeven vereisten voldoen.
- Gebruik uitsluitend zaagbladen die bedoeld zijn voor snelheden van ten minste 5.200 min^{-1} .
- Let erop dat het zaagblad zó is gemonteerd dat de tanden aan de voorkant van het cirkelzaag omhoog wijzen.
- Gebruik uitsluitend de Makita inbussleutel voor het aanbrengen en verwijderen van het zaagblad.

Om het zaagblad te verwijderen, drukt u de vergrendelknop in om de bovenste zaagdieptebegrenzer te ontgrendelen. (zie afb. 19)

Draai aan de vergrendelhendel om de zaagkop voor het vervangen van het zaagblad te vergrendelen. (zie afb. 20)

Terwijl de uit-vergrendelknop is ingedrukt en de vergrendelhendel is ingeschakeld, drukt u de hendel zover naar beneden dat de sluitpen in de groef past die door de vergrendelhendel en de dieptegeleider met instelschaal wordt gevormd. Controleer of de sluitpen in de groef past.

Druk de asvergrendeling volledig in zodat het zaagblad niet kan draaien en draai de inbusbout met de inbussleutel tegen de klok in los. Verwijder tenslotte de inbusbout, de buitenflens en het zaagblad. (zie afb. 21)

Om het zaagblad te monteren, volgt u de bovenstaande procedure in omgekeerde volgorde. ZORG ERVOOR DAT U DE INBUSBOUT RECHTSOM STEVIG VASTDRAAIT. (zie afb. 22)

Een stofzuiger aansluiten (zie afb. 23)

Wanneer u bij het zagen schoon wilt werken, sluit u een Makita stofzuiger op uw cirkelzaag aan. Verbind een zuigslang van de stofzuiger met de stofmond, zoals de bovenstaande afbeelding aangeeft.

BEDIENING

Afzagen (gewoon zagen) (zie afb. 24)

LET OP:

- Duw de cirkelzaag voorzichtig in een rechte lijn naar voren. Als u de cirkelzaag forceert of verdraait, raakt de motor oververhit en riskeert u terugslag waardoor u ernstig letsel kunt oplopen.
- Kom tijdens afzagen en zeker niet bij starten nooit met uw handen of andere lichaamsdelen onder de zoolplaat. Daardoor kunt u ernstig gewond raken. Het zaagblad steekt onder de zoolplaat uit.

Houd de cirkelzaag stevig vast. De cirkelzaag is zowel van een voorhandgreep als van een achterhandgreep voorzien. Gebruik beide handgrepen om de cirkelzaag zo goed mogelijk vast te houden. Als u de cirkelzaag met beide handen vasthoudt, kunt u nooit in uw handen zagen. Plaats eerst de voorkant van de zool op het werkstuk dat u wilt zagen, zonder dat het zaagblad het

werkstuk raakt. Vervolgens drukt u de uit-vergrendelknop in en schakelt u de cirkelzaag in waarbij u even wacht tot het zaagblad op volle snelheid komt. Nu drukt u de zaagkop langzaam tot de vooraf ingestelde zaagdiepte naar beneden en beweegt u de cirkelzaag ontspannen over het oppervlak van het werkstuk vooruit, waarbij u de zaag plat houdt en rustig vooruit beweegt totdat het zagen is voltooid.

Zorg voor een schone zaagsnede voor een rechte zaaglijn en een constante voortgaande snelheid. Als de zaagsnede niet volgens de voorgename zaaglijn loopt, probeer dan niet de zaag te draaien of geforceerd naar de zaaglijn terug te gaan. Hierdoor kan het zaagblad vastlopen en een gevaarlijke terugslag optreden met mogelijk ernstig persoonlijk letsel tot gevolg. Laat de aan/uit-schakelaar los, wacht tot het zaagblad tot stilstand is gekomen en trek vervolgens de cirkelzaag terug. Lijn de cirkelzaag op een nieuwe zaaglijn opnieuw uit en begin weer te zagen. Probeer te voorkomen dat u door de stand van de cirkelzaag wordt blootgesteld aan spaanders en zaagsel die tijdens het zagen worden uitgeworpen. Gebruik oogbescherming om oogletsel te voorkomen.

Gebruiken met geleiderail (optie) (zie afb. 25 en 26)

Plaats de cirkelzaag op de achterkant van de geleiderail. Draai aan de twee stechroeven op de cirkelzaag zodat het cirkelzaag soepel zonder gerammel kan glijden. Houd de cirkelzaag stevig vast. De cirkelzaag is zowel van een voorhandgreep als van een achterhandgreep voorzien. Gebruik beide handgrepen om de cirkelzaag zo goed mogelijk vast te houden. Schakel de cirkelzaag in, druk de cirkelzaag tot de vooraf ingestelde zaagdiepte in en zaag de splinterbescherming in één keer over de volle lengte af. De rand van de splinterbescherming correspondeert met de punt van de messen.

Bij verstekzagen met de geleiderail moet u de schuifhendel op de zoolplaat zo verschuiven dat de cirkelzaag niet opzij valt.

Beweeg de schuifhendel op de zoolplaat in de richting van de pijl zodat hij in de andersnijdingsgroef in de geleiderail valt.

Breedtegeleider (liniaal) (optie) (zie afb. 27)

Met de handige breedtegeleider kunt u extra nauwkeurig recht zagen. Schuif de breedtegeleider eenvoudig strak tegen de zijkant van het werkstuk en zet deze op zijn plaats vast met de schroeven op de voorkant en de achterkant van de zoolplaat. Zo kunt u meerdere werkstukken van gelijke breedte zagen.

Door de breedtegeleider (liniaal) om te draaien kunt u deze als onderzool voor de cirkelzaag gebruiken.

Insteekezagen (uitzagen) (zie afb. 28)

WAARSCHUWING:

- Houd u aan de volgende aanwijzingen om terugslaan te voorkomen.

De cirkelzaag zonder geleiderail gebruiken

Plaats de cirkelzaag op het werkstuk met de achterrand van de zool tegen een vaste stop of iets dergelijks dat door een operator is ontworpen.

De cirkelzaag met geleiderail gebruiken

Plaats de cirkelzaag op de geleiderail met de achterrand van de zool tegen een vaste stop of iets dergelijks die op de geleiderail is geklemd.

Houd de cirkelzaag stevig vast met één hand op de voorhandgreep en de andere op de achterhandgreep. Vervolgens drukt u de uit-vergrendelknop in en schakelt u de cirkelzaag in waarbij u even wacht tot het zaagblad op volle snelheid komt. Druk nu de zaagkop langzaam tot de vooraf ingestelde zaagdiepte in en beweeg de cirkelzaag eenvoudig vooruit naar de gewenste insteekpositie.

OPMERKING:

- De markeringen op de zijkant van de beschermkap geven nauwkeurig de inzaagpunten aan de voorzijde en de achterzijde van het zaagblad aan (A voor diameter 160 mm en B voor diameter 165 mm) bij de maximum zaagdiepte en met gebruikmaking van de geleiderail. (zie **afb. 29**)

Geleideapparaat (toebehoren)

Gebruik van de verstek aanslag (toebehoren) maakt nauwkeurig onder verstek zagen met hoeken en passingen mogelijk.

Door het gebruiken van de klem (toebehoren) wordt het werkstuk stevig op de tafel bevestigd.

ONDERHOUD

LET OP:

- Zorg er altijd voor dat de machine is uitgeschakeld en de stekker uit het stopcontact is getrokken, voordat u een inspectie of onderhoud uitvoert.

De nauwkeurigheid van de zaaghoeken 90° (verticaal) en 45° (verstek) instellen (zie **afb. 30 en 31)**

Deze instelling is al in de fabriek aangebracht. Maar als deze niet meer juist is, richt u de instelbouten met een inbussleutel terwijl u de zaaghoek van 90° of 45° tussen het zaagblad en de zool van het gereedschap met behulp van een winkelhaak, geodriehoek enzovoort controleert .

OPMERKING:

- Het is niet mogelijk de nauwkeurigheid van de hoeken 22,5°, 48° en -1° in te stellen.

Koolborstels vervangen (zie **afb. 32 en 33)**

Verwijder en inspecteer de koolborstels regelmatig.

Vervang ze wanneer ze tot aan de slijtgrensmarkering zijn afgesleten. Houd de koolborstels schoon en zorg ervoor dat ze vrij in de houders kunnen bewegen.

De beide koolborstels moeten tegelijkertijd worden vervangen. Gebruik alleen identieke koolborstels.

Draai de koolborsteldoppen met een schroevendraaier los.

Haal de versleten koolborstels eruit, plaats de nieuwe erin en draai de koolborsteldoppen vast.

Om de VEILIGHEID en BETROUWBAARHEID van de cirkelzaag te handhaven, moeten reparaties, onderhoud en afstellingen worden uitgevoerd door een erkend Makita-servicecentrum en altijd met gebruikmaking van originele Makita remplaceonderdelen.

ACCESSOIRES

LET OP:

- Deze accessoires of hulpstukken worden aanbevolen voor gebruik met het Makita gereedschap dat in deze handleiding wordt beschreven. Het gebruik van andere accessoires of hulpstukken kan gevaar voor persoonlijk letsel opleveren. Gebruik de accessoires of hulpstukken uitsluitend voor de aangegeven gebruiksdoeleinden.

Voor meer informatie over deze accessoires kunt u contact opnemen met het plaatselijke Makita servicecentrum.

- Zaagbladen
- Geleiderail
- Breedtegeleider (liniaal)
- Verstekaanslag
- Klem
- Inbussleutel
- Vellenset voor geleiderail
- Rubbervellenset voor geleiderail
- Positievellenset voor geleiderail

Explicación de los dibujos

- | | | |
|--|--|--|
| 1. Tornillo de apriete | 12. Interruptor disparador | 24. Palanca deslizante |
| 2. Tope inferior del disco | 13. Dial de regulación de la velocidad | 25. Tope lateral (regla de guía) |
| 3. Botón de parada rápida | 14. Llave Allen | 26. Borde trasero de la base de la herramienta |
| 4. Tornillos de apriete | 15. Palanca de bloqueo | 27. Tope fijo |
| 5. Base de la herramienta | 16. Bloqueo del eje | 28. Tornillo de ajuste para 90° |
| 6. Tope positivo | 17. Tornillo hexagonal | 29. Tornillo de ajuste para 45° |
| 7. Palanca | 18. Brida exterior | 30. Marca de límite |
| 8. Palanca de cambio del ángulo de bisel | 19. Disco de sierra | 31. Destornillador |
| 9. Base | 20. Brida interior | 32. Tapa del portaescobillas |
| 10. Línea de corte | 21. Aspirador | |
| 11. Botón de bloqueo en apagado | 22. Salida del polvo | |
| | 23. Tornillos de ajuste | |

ESPECIFICACIONES

Modelo		SP6000
Diámetro del disco		165 mm
Profundidad de corte máxima	a 90°	56 mm
	a 45°	40 mm
	a 48°	38 mm
Velocidad en vacío (min ⁻¹)		2.000 - 5.200
Longitud total		341 mm
Peso neto		4,1 kg
Clase de seguridad		II/II

- Debido a nuestro programa continuo de investigación y desarrollo, las especificaciones aquí descritas están sujetas a cambios sin previo aviso.
- Nota: las especificaciones pueden ser diferentes de un país a otro.

Símbolos

END201-2

Se utilizan los siguientes símbolos para el equipo.

Asegúrese de que comprende su significado antes del uso.



..... Lea el manual de instrucciones.



..... AISLAMIENTO DOBLE

Uso previsto

ENE067-1

Esta herramienta está diseñada para realizar cortes de incisión.

Además, también puede realizar cortes rectos y cortes a inglete longitudinal y transversalmente en madera mientras mantiene un firme contacto con la pieza de trabajo.

Alimentación

ENF002-1

La herramienta debe conectarse solamente a una fuente de alimentación de la misma tensión que la indicada en la placa de características, y sólo puede funcionar con corriente alterna monofásica. El sistema de doble aislamiento de la herramienta cumple con las normas europeas y puede, por lo tanto, usarse también en tomacorrientes sin conductor de tierra.

NORMAS DE SEGURIDAD ESPECÍFICAS

GEB031-1

NO deje que la comodidad o la familiaridad con el producto (a base de utilizarlo repetidamente) sustituyan la estricta observancia de las normas de seguridad para la sierra de incisión. Si utiliza esta herramienta de forma no segura o incorrecta, puede sufrir graves lesiones.

Peligro:

1. **Mantenga las manos alejadas del área de corte y del disco. Mantenga su segunda mano en el mango auxiliar o en el alojamiento del motor.** Si ambas manos sujetan la sierra no pueden sufrir cortes del disco.
2. **Nunca se ponga debajo de la pieza de trabajo ni de la base de la herramienta.** El protector no puede protegerle del disco debajo de la pieza de trabajo. No intente retirar material cortado cuando el disco se está moviendo.
PRECAUCIÓN: Los discos siguen girando por inercia después de apagar la herramienta. Espere hasta que el disco se detenga antes de recoger el material cortado.
3. **Ajuste la profundidad de corte al grosor de la pieza de trabajo.** Debe verse menos de un diente completo por debajo de la pieza de trabajo.

4. **Nunca sujete la pieza que se está cortando en sus manos o entre sus piernas. Fije la pieza de trabajo a una plataforma estable.** Es importante sujetar la pieza de trabajo correctamente para minimizar la exposición del cuerpo, el agarrotamiento del disco o la pérdida de control.

Ilustración típica de cómo colocar las manos, la pieza de trabajo y el cable de alimentación (si es aplicable). (Fig. 1)

5. **Sujete la herramienta eléctrica por las superficies de agarre aisladas al realizar una operación en que la herramienta de corte pueda entrar en contacto con cables ocultos o con su propio cable.** Si entra en contacto con un cable con corriente, las piezas metálicas expuestas de la herramienta eléctrica se cargarán también de corriente y el operario puede recibir una descarga.
6. **Cuando corte al hilo, utilice siempre un tope lateral o una guía de borde recto.** Esto mejora la precisión del corte y reduce la posibilidad de que el disco se agarrote.
7. **Utilice siempre discos con la forma (diamante o circular) y el tamaño correctos de los agujeros del eje del disco.** Los discos que no coincidan con los elementos de montaje de la sierra funcionarán de forma excéntrica, lo que causará una pérdida de control.
8. **Nunca utilice arandelas o pernos de disco dañados o incorrectos.** El perno y las arandelas se han diseñado específicamente para su disco, para una seguridad y un rendimiento óptimos.
9. **Causas de contragolpes y prevención por parte del operario:**

- un contragolpe es una reacción repentina provocada por un disco mal alineado, alabeado o mellado, que hace que una sierra incontrolada se levante y se aleje de la pieza de trabajo hacia el operador;
- cuando el disco está mellado o alabeado por la entalladura al cerrarse, éste se atasca y la reacción del motor empuja la unidad rápidamente hacia atrás en dirección al operario.
- si el disco se retuerce o está mal alineado en el corte, los dientes del borde posterior del disco pueden clavarse en la superficie posterior de la madera, haciendo que éste escale la entalladura y salte hacia el operario.

El contragolpe es el resultado de un mal uso de la sierra o de condiciones o procedimientos de uso incorrectos y se puede evitar tomando las precauciones que se indican a continuación.

- **Sujete la sierra firmemente con las dos manos y coloque sus brazos de forma que ofrezcan resistencia a las fuerzas de contragolpe. Coloque su cuerpo a ambos lados del disco, pero no en línea con él.** El contragolpe puede provocar que la sierra salte hacia atrás; no obstante, el operador puede controlar la fuerza del contragolpe si toma las precauciones adecuadas.
- **Cuando el disco se agarrote o cuando se interrumpa el corte por cualquier motivo, suelte**

el disparador y mantenga la sierra quieta sobre el material hasta que el disco se detenga por completo. Nunca intente retirar la sierra de la pieza de trabajo ni tire de la sierra hacia atrás mientras la sierra esté en movimiento ya que se podría producir un contragolpe. Investigue y tome las acciones correctoras para eliminar la causa del agarrotamiento del disco.

- **Cuando vuelva a poner en marcha la sierra sobre la pieza de trabajo, centre la sierra en la entalladura y compruebe que sus dientes no estén en contacto con el material.** Si el disco de la sierra se agarrota, puede escalar la pieza de trabajo cuando se vuelve a poner en marcha.
- **Sujete los paneles grandes para minimizar el riesgo de mellar el disco y de contragolpe.** Los paneles grandes tienden a hundirse bajo su propio peso. Deben colocarse soportes bajo el panel en ambos lados, cerca de la línea de corte y del borde del panel.

Para minimizar el riesgo de mellar el disco y de contragolpe. Cuando la operación de corte requiere que la sierra repose sobre la pieza de trabajo, la sierra debe descansar sobre la parte más grande y la parte más corta debe cortarse.

Para evitar los contragolpes, sujete el tablero o el panel cerca del corte. (Fig. 2)

No sujete el tablero o el panel lejos del corte. (Fig. 3)

- **No utilice discos romos o dañados.** Los discos sin afilar o mal montados hacen que la entalladura sea estrecha, lo que provoca una fricción excesiva, un agarrotamiento del disco y el contragolpe. Mantenga el disco limpio y afilado. La goma y la resina de madera endurecidas sobre los discos ralentizan la sierra y aumentan el potencial de contragolpe. Para mantener el disco limpio, retírelo de la herramienta, límpielo con un producto para eliminar goma y resina, agua caliente o queroseno. Nunca utilice gasolina.
- **Las profundidades de bloqueo del ajuste de bisel y de profundidad deben estar bien apretadas y seguras antes de realizar el corte.** Si el ajuste del disco cambia durante el corte, se puede producir agarrotamiento y contragolpes.
- **Tenga especial cuidado cuando realice un corte de incisión en paredes u otras áreas ciegas.** El disco puede cortar objetos que pueden provocar contragolpes.
- **Sujete SIEMPRE la herramienta firmemente con ambas manos. NUNCA coloque la mano, la pierna ni ninguna parte de su cuerpo debajo de la base de la herramienta o detrás de la sierra, sobre todo al realizar cortes transversales.** Si se produce un contragolpe, la sierra puede saltar fácilmente hacia atrás sobre su mano, lo que provocaría graves lesiones personales. (Fig. 4)
- **Nunca fuerce la sierra. Si se fuerza la sierra, los cortes pueden ser desiguales, se puede perder precisión y se pueden producir contragolpes.**

Empuje la sierra hacia delante a una velocidad en la que la sierra corte sin reducir su velocidad.

10. **Compruebe si el protector está bien cerrado antes de cada uso. No utilice la sierra si el protector no se mueve libremente y cierre el disco inmediatamente. Nunca sujete ni fije el protector con el disco expuesto.** Si la sierra cae accidentalmente, la protección se puede doblar. Compruebe que la protección se mueve libremente y no toca el disco o cualquier otra pieza, en todos los ángulos y profundidades de corte.
11. **Compruebe el funcionamiento y el estado del muelle de retroceso del protector. Si el protector y el muelle no funcionan correctamente, deben repararse antes de utilizar la herramienta.** El protector puede funcionar con lentitud debido a partes dañadas, depósitos de goma o acumulación de suciedad.
12. **Asegúrese de que la placa guía de la sierra no se mueva al realizar incisiones cuando el ángulo de bisel del disco no sea 90°.** El desplazamiento lateral del disco producirá su agarrotamiento y probablemente también un contragolpe.
13. **Compruebe siempre que el protector cubra el disco antes de colocar la sierra sobre un banco o en el suelo.** Un disco sin proteger, que gire por inercia, puede hacer que la sierra se desplace hacia atrás, cortando lo que esté en su camino. Tenga en cuenta el tiempo que el disco tarda en detenerse después de liberar el interruptor.
14. **Tenga especial cuidado cuando corte madera mojada, madera sometida a presión o madera que contenga nudos.** Ajuste la velocidad de corte para mantener un avance suave de la herramienta sin reducir la velocidad del disco.
15. **Evite cortar clavos. Compruebe si hay clavos y retírelos antes de realizar el corte.**
16. **Coloque la parte más ancha de la base de la sierra sobre la pieza de trabajo que está sujeta sólidamente, no sobre la sección que caerá cuando se realice el corte.** Como ejemplos, la figura 5 ilustra la manera CORRECTA de cortar el extremo de un tablón y la figura 6, la manera INCORRECTA. Si la pieza de trabajo es corta o pequeña, fjela. **¡NO INTENTE SUJETAR PIEZAS PEQUEÑAS CON LAS MANOS!**
17. **Nunca intente serrar con la sierra de incisión boca arriba. Es extremadamente peligroso y puede provocar graves accidentes. (Fig. 7)**
18. **Algunos materiales contienen sustancias químicas que pueden ser tóxicas. Procure evitar la inhalación de polvo y el contacto con la piel. Tenga en cuenta los datos de seguridad del proveedor del material.**
19. **No detenga los discos ejerciendo presión lateral sobre el disco de la sierra.**
20. **Utilice siempre los discos recomendados en este manual. No utilice discos abrasivos.**
21. **Utilice una mascarilla antipolvo y protección para los oídos cuando utilice la herramienta.**

GUARDE ESTAS INSTRUCCIONES.

ADVERTENCIA:

El MAL USO o la no observancia de las normas de seguridad expuestas en este manual de instrucciones pueden ocasionar graves daños corporales.

DESCRIPCIÓN DEL FUNCIONAMIENTO

PRECAUCIÓN:

- Asegúrese siempre de que la herramienta esté apagada y desenchufada antes de intentar realizar cualquier tipo de ajuste o comprobación en ella.

Ajuste de la profundidad de corte (Fig. 8)

PRECAUCIÓN:

- Después de ajustar la profundidad de corte, apriete siempre el tornillo de apriete con firmeza.

Afloje el tornillo de apriete de la guía de profundidad y ajuste el tope inferior del disco a la profundidad deseada de la placa graduada. Cuando haya ajustado la profundidad de corte deseada, apriete el tornillo con firmeza.

Para lograr cortes más limpios y seguros, fije la profundidad de corte de forma que no se proyecte más de un diente del disco por debajo de la pieza de trabajo. El uso de una profundidad de corte correcta ayuda a reducir la posibilidad de peligrosos CONTRAGOLPES que pueden provocar lesiones personales.

NOTA:

- Ajustar el tope inferior del disco a la profundidad deseada en la placa graduada permite realizar desbastados.

Para realizar cortes precisos, mida el saliente del disco de la sierra debajo de la base de la herramienta.

Botón de parada rápida para una profundidad de corte de 2 a 3 mm al utilizar el carril de guía (accesorio) (Fig. 9 y 10)

Esta herramienta dispone de un botón de parada rápida para una profundidad de corte de 2 a 3 mm en el alojamiento del engranaje junto al mango trasero al utilizar el accesorio de carril de guía. Esto se utiliza para realizar el corte de la pieza de trabajo sin formar astillas. Realice una pasada del primer corte de 2 a 3 mm y luego realice otra pasada con el corte normal.

Para obtener la profundidad de corte de 2 a 3 mm, presione el botón de parada hacia el disco de sierra. De este modo evitará que se formen astillas en la pieza de trabajo.

Para soltar la profundidad de corte fijada en esta posición y tener una profundidad de corte libre, tire del botón.

Corte en bisel (Fig. 11)

Inclinación hacia la derecha (Fig. 12 y 13)

Gire el tope positivo hasta que la flecha señale una de las dos posiciones (vertical para 22,5° y horizontal para 45°). Afloje los tornillos de apriete de delante y atrás. A continuación incline la base de la herramienta hasta que se detenga y fíjela con los tornillos de apriete.

Para que el ángulo de bisel sea de 48°, mueva la palanca hacia la marca de 48° hasta el tope. Gire el tope positivo para que la flecha señale la posición horizontal. A continuación incline la base de la herramienta hasta que se detenga y fíjela con los tornillos de apriete.

Inclinación hacia la izquierda (Fig. 14)

La herramienta se puede inclinar hacia la izquierda en un ángulo de bisel de 1°. Para conseguir el ángulo de bisel de 1° hacia la izquierda, afloje los tornillos de apriete de delante y atrás, incline el mango de la herramienta ligeramente hacia la derecha y empuje las dos palancas de cambio del ángulo de bisel simultáneamente en la dirección de la flecha con la marca -1. A continuación, incline el mango de la herramienta hacia la izquierda mientras empuja estas dos palancas simultáneamente. Sujete la base con los tornillos de apriete.

NOTA:

- Si se vuelve a colocar el disco en ángulo recto, la palanca de cambio vuelve a 0°.

Visor (Fig. 15)

Cuando la herramienta se utiliza sin el carril de guía (accesorio)

Para cortes rectos, alinee la posición A en la parte delantera de la base con la línea de corte. Para cortes en bisel de 45°, alinee la posición B con la línea de corte.

Cuando la herramienta se utiliza con el carril de guía (accesorio)

Para cortes rectos y cortes en bisel de 45°, alinee siempre la posición A en la parte delantera de la base con la línea de corte.

Funcionamiento del interruptor (Fig. 16)

PRECAUCIÓN:

- Antes de enchufar la herramienta, asegúrese siempre de que el interruptor disparador funcione como es debido y de que vuelva a la posición "OFF" (apagado) al soltarlo.

Para evitar que el disparador del interruptor se accione accidentalmente se proporciona un botón de bloqueo. Para poner en marcha la herramienta, empuje el botón de desbloqueo y tire del disparador del interruptor.

Suelte el interruptor disparador para detener la herramienta.

Dial de ajuste de velocidad (Fig. 17)

La velocidad de la herramienta se puede ajustar infinitamente entre 2.000 y 5.200 rotaciones por minuto girando el dial de regulación. Se obtendrá mayor velocidad cuando el dial se gire en la dirección del

número 6; se obtendrá menor velocidad cuando se gire en la dirección del número 1.

Consulte la tabla para seleccionar la velocidad adecuada para la pieza de trabajo que va a cortar. La velocidad adecuada puede ser distinta en función del tipo o grosor de la pieza de trabajo. En general, cuanto mayor sea la velocidad, más rápido se cortarán las piezas de trabajo, pero se reducirá la vida útil del disco.

Número	min ⁻¹
1	2.000
2	2.200
3	3.100
4	4.000
5	4.900
6	5.200

PRECAUCIÓN:

- El dial de regulación de la velocidad puede girarse hasta 6 y de vuelta hasta 1 solamente. No lo fuerce más allá de 6 ó 1, o la función de ajuste de velocidad podrá dejar de funcionar.
- El dial de ajuste de la velocidad no está indicado para utilizar discos de sierra de baja velocidad nominal, sino para obtener una velocidad adecuada al material de la pieza de trabajo. Utilice sólo discos con una velocidad nominal de 5.200 min⁻¹.

Las herramientas que disponen de función electrónica son fáciles de manejar porque cuentan con las características siguientes.

Protector de sobrecarga

Cuando la herramienta se sobrecarga y la corriente supera un nivel determinado, se detiene automáticamente para proteger el motor.

Control de velocidad constante

Se trata de un control electrónico de la velocidad para lograr una velocidad constante. Permite obtener un acabado preciso, porque la velocidad de rotación se mantiene a un nivel constante incluso en caso de que haya carga.

Característica de inicio lento

Elimina la sacudida inicial.

MONTAJE

PRECAUCIÓN:

- Asegúrese siempre de que la herramienta esté apagada y desenchufada antes de intentar realizar cualquier trabajo en ella.

Almacenamiento de la llave Allen (Fig. 18)

La llave Allen se guarda en la propia herramienta. Para extraerla, tire de ella..

Para ponerla en su sitio, colóquela en la empuñadura e insértela hasta el tope.

Extracción o instalación del disco de la sierra

PRECAUCIÓN:

- No utilice discos de sierra que no se ajusten a las características especificadas en estas instrucciones.
- Utilice sólo discos con una velocidad nominal de 5.200 min⁻¹.
- Asegúrese de que el disco esté instalado con los dientes apuntando hacia la parte delantera de la herramienta.
- Utilice sólo la llave de Makita para instalar o extraer el disco.

Para extraer el disco, presione el botón de desbloqueo para desbloquear el tope superior. (Fig. 19)

Gire la palanca de bloqueo para bloquear la cabeza de la sierra y sustituir el disco. (Fig. 20)

Con el botón de desbloqueo presionado y la palanca de bloqueo girada, tire de la empuñadura hacia abajo hasta que el pasador de seguridad encaje en la ranura formada por la palanca de bloqueo y la guía de profundidad con la placa graduada. Asegúrese de que el pasador de seguridad encaje en la ranura.

Ejerza presión sobre el bloqueo del eje hasta el tope para que el disco no pueda girar y utilice la llave para aflojar el perno hexagonal en el sentido contrario a las agujas del reloj. A continuación, extraiga el perno de cabeza hexagonal, la brida exterior y el disco. (Fig. 21)

Para instalar el disco, siga el procedimiento de extracción a la inversa. **ASEGÚRESE DE APRETAR FIRMEAMENTE EL PERNO DE CABEZA HEXAGONAL EN EL SENTIDO DE LAS AGUJAS DEL RELOJ.** (Fig. 22)

Conexión del aspirador (Fig. 23)

Si desea realizar una operación de corte limpio, conecte un aspirador Makita a la herramienta. A continuación, conecte una manguera del aspirador a la salida del polvo como se muestra en la figura.

MANEJO

Corte de sección (aserrado normal) (Fig. 24)

PRECAUCIÓN:

- Asegúrese de desplazar la herramienta suavemente hacia delante en línea recta. Si se fuerza o se retuerce la herramienta se provocará un sobrecalentamiento del motor y un peligroso contragolpe, que puede causar graves lesiones personales.
- Nunca sitúe ninguna parte de su cuerpo debajo de la base de la herramienta cuando realice cortes de sección, y menos aún al empezar. Si lo hace, pueden producirse graves lesiones personales. El disco sobresale por debajo de la base de la herramienta.

Sujete firmemente la herramienta. La herramienta se suministra con una empuñadura delantera y un mango trasero. Utilice ambos elementos para sujetar mejor la herramienta. Si ambas manos sujetan la sierra no pueden sufrir cortes del disco. Coloque la parte delantera de base

sobre la pieza de trabajo que debe cortarse sin que el disco realice ningún contacto. Luego presione el botón de desbloqueo, encienda la herramienta y espere a que el disco alcance la velocidad máxima. Presione lentamente la cabeza de la sierra hacia abajo hasta la profundidad de corte preajustada y mueva la herramienta hacia delante sobre la superficie de la pieza de trabajo, manteniéndola plana y avanzando suavemente hasta que el proceso de corte se haya completado.

Para obtener cortes limpios, mantenga la línea de serrado recta y la velocidad de avance uniforme. Si el corte no sigue correctamente la línea de corte prevista, no intente girar la herramienta ni la fuerce para volver a la línea de corte. El disco puede trabarse y provocar peligrosos contragolpes y posibles lesiones graves. Suelte el interruptor, espere a que el disco se pare y retire la herramienta. Vuelva a alinear la herramienta sobre la línea de corte y reinicie el corte. Intente no colocarse en una postura que exponga al operador a astillas y serrín que se expulsan desde la sierra. Utilice protección ocular para evitar lesiones.

Si se utiliza con el carril de guía (accesorio) (Fig. 25 y 26)

Sitúe la herramienta en el extremo posterior del carril de guía. Gire los dos tornillos de ajuste en la base de la herramienta para que ésta se deslice suavemente sin traquetear. Sujete firmemente la herramienta. La herramienta se suministra con una empuñadura delantera y un mango trasero. Utilice ambos elementos para sujetar mejor la herramienta. Encienda la herramienta, presiónela hasta la profundidad de corte prefijada y realice el corte de golpe a lo largo de toda la protección antiastillas. El borde de la protección antiastillas se corresponde con el borde de corte.

Cuando realice cortes en bisel con el carril de guía, deslice la palanca deslizante de la base de la herramienta para que la herramienta no caiga de lado.

Desplace la palanca deslizante de la base de la herramienta en la dirección de la flecha para que se enclave en la muesca de guía del carril de guía.

Tope lateral (regla de guía) (accesorio) (Fig. 27)

El práctico tope lateral permite realizar cortes rectos de gran precisión. Sólo tiene que deslizar el tope lateral cómodamente hasta el lateral de la pieza de trabajo y fijarlo en posición con los tornillos de la parte delantera y trasera de la base. También hace que el ancho de los cortes repetidos sea lo más uniforme posible.

Dándole la vuelta al tope lateral (regla de guía) se obtiene una subbase para la herramienta.

Incisiones (cortes) (Fig. 28)

ADVERTENCIA:

- Para evitar que se produzcan contragolpes, observe las instrucciones siguientes.

Cuando la herramienta se utiliza sin el carril de guía
Coloque la herramienta sobre la pieza de trabajo con el borde posterior de la base de la herramienta contra un

tope fijo o similar, que pueda ser observado por un operario.

Cuando la herramienta se utiliza con el carril de guía

Coloque la herramienta sobre el carril de guía con el borde posterior de la base de la herramienta contra un tope fijo o similar, que pueda ser observado por un operario.

Sujete firmemente la herramienta con una mano en la empuñadura delantera y la otra en el mango de la herramienta. Luego presione el botón de desbloqueo, encienda la herramienta y espere a que el disco alcance la velocidad máxima. Presione lentamente la cabeza de la sierra hacia abajo hasta la profundidad de corte preajustada y mueva la herramienta hacia delante en dirección a la posición de incisión deseada.

NOTA:

- Las marcas situadas en los lados del protector del disco muestran los puntos de corte delantero y trasero absolutos del disco de sierra (A para un diámetro de 160 mm y B para un diámetro de 165 mm) a la máxima profundidad de corte y utilizando el carril de guía. (Fig. 29)

Dispositivo guía (accesorios)

El uso del cartabón de inglete (accesorio) permite realizar cortes a inglete exactos con ángulos y empalmes.

Para garantizar que la pieza de trabajo quede firmemente sujeta a la mesa se puede utilizar el fijador (accesorio).

MANTENIMIENTO

PRECAUCIÓN:

- Asegúrese siempre de que la herramienta esté apagada y desenchufada antes de intentar realizar cualquier trabajo de inspección o mantenimiento en ella.

Ajuste de la precisión de corte de 90° y 45° (corte de 45° y vertical) (Fig. 30 y 31)

Este ajuste se ha realizado en fábrica. No obstante, está desactivado. Ajuste la posición de los tornillos del disco mientras realiza una inspección a 90° o 45° respecto a la base, mediante una escuadra o una regla, etc.

NOTA:

- No se puede realizar el ajuste de precisión de 22,5°, 48° y -1°.

Reemplazo de las escobillas de carbón (Fig. 32 y 33)

Extraiga y compruebe las escobillas de carbón regularmente.

Cámbielas cuando el desgaste alcance la marca de límite. Mantenga las escobillas de carbón limpias y de forma que entren libremente en los portaescobillas.

Ambas escobillas de carbón deberán ser sustituidas al mismo tiempo. Utilice únicamente escobillas de carbón idénticas.

Utilice un destornillador para extraer las tapas de los portaescobillas.

Saque las escobillas de carbón desgastadas, introduzca las nuevas y cierre las tapas de los portaescobillas.

Para conservar la SEGURIDAD y la FIABILIDAD del producto, los trabajos de reparación y otros trabajos de mantenimiento y ajuste deberán ser realizados en centros de servicio autorizados de Makita, utilizando siempre repuestos Makita.

ACCESORIOS

PRECAUCIÓN:

- Se recomienda el uso de estos accesorios o complementos con la herramienta Makita especificada en este manual. El uso de otros accesorios o complementos puede conllevar el riesgo de ocasionar daños corporales. Utilice los accesorios o complementos solamente para su fin establecido.

Si necesita cualquier ayuda para obtener más información relativa a estos accesorios, pregunte al centro de servicio Makita local.

- Discos de sierra
- Carril de guía
- Tope lateral (regla de guía)
- Cartabón de inglete
- Fijador
- Llave Allen
- Conjunto de hojas para carril guía
- Conjunto de hojas de goma para carril guía
- Conjunto de hojas de posición para carril guía

PORTUGUÊS

Descrição geral

- | | | |
|---|---|--|
| 1. Parafuso de fixação | 12. Gatilho | 24. Alavanca de correr |
| 2. Batente do limite inferior da lâmina | 13. Manipulo de regulação da velocidade | 25. Vedação para escarificação (guia paralela) |
| 3. Botão de paragem rápida | 14. Chave sextavada | 26. Margem traseira da base da ferramenta |
| 4. Parafusos de fixação | 15. Alavanca de bloqueio | 27. Batente fixo |
| 5. Base da ferramenta | 16. Bloqueio do veio | 28. Parafuso de regulação para 90° |
| 6. Batente positivo | 17. Parafuso sextavado | 29. Parafuso de regulação para 45° |
| 7. Alavanca | 18. Flange exterior | 30. Marca limite |
| 8. Alavanca de mudança do ângulo de bisel | 19. Lâmina da serra | 31. Chave de parafusos |
| 9. Base | 20. Flange interior | 32. Tampa do porta-escovas |
| 10. Linha de corte | 21. Aspirador | |
| 11. Botão de bloqueio | 22. Porta de pó | |
| | 23. Parafusos de regulação | |

ESPECIFICAÇÕES

Modelo		SP6000
Diâmetro da lâmina		165 mm
Profundidade máxima de corte	a 90°	56 mm
	a 45°	40 mm
	a 48°	38 mm
Velocidade de rotação sem carga (mín. ⁻¹)		2.000 - 5.200
Comprimento total		341 mm
Peso líquido		4,1 kg
Classe de segurança		II/II

- Devido à pesquisa e desenvolvimento constantes, estas especificações estão sujeitas a alteração sem aviso prévio.
- Nota: Estas especificações podem diferir de país para país.

Símbolos

ENFD201-2

Descrição dos símbolos utilizados no equipamento.

Certifique-se de que compreende o seu significado, antes da utilização.



..... Leia o manual de instruções.



..... BLINDAGEM DUPLA

Utilização prevista

ENFD067-1

A ferramenta destina-se especialmente para efectuar cortes a fundo

Além disso, cortes a direito laterais e transversais, bem como cortes angulares em madeira, também podem ser efectuados quando em contacto firme com a peça de trabalho.

Fonte de alimentação

ENFD002-1

A ferramenta apenas deve ser ligada a uma fonte de alimentação da mesma tensão que a indicada na chapa de nome, e apenas pode funcionar com uma alimentação monofásica AC. Estão blindadas duplamente, de acordo com a Norma Europeia e podem, assim, ser igualmente utilizadas em tomadas sem fio terra.

REGRAS DE SEGURANÇA ESPECÍFICAS

GEB031-1

NÃO deixe que o progressivo à-vontade com o produto (resultante de uma utilização frequente) o faça esquecer o estrito cumprimento das regras de segurança da serra circular. Se utilizar a ferramenta incorrectamente ou não respeitar as regras de segurança, poderá ferir-se gravemente.

Perigo:

- 1. Mantenha as mãos afastadas da área de corte e a lâmina. Mantenha a outra mão na pega auxiliar ou caixa do motor.** Se ambas as mãos estiverem a segurar a serra, não podem ser cortadas pela lâmina.
- 2. Não coloque as mãos debaixo da peça de trabalho ou base da ferramenta.** A protecção não o pode proteger da lâmina debaixo da peça de trabalho. Não tente remover material cortado quando a lâmina se estiver a mover.

PRECAUÇÃO: As lâminas continuam a funcionar após a desligação. Aguarde até que as lâminas parem antes de retirar material cortado.

- 3. Ajuste a profundidade de corte para a espessura da peça de trabalho.** Deve ser visível menos do que um dente completo dos dentes da lâmina abaixo da peça de trabalho.

4. **Nunca coloque a peça que está a ser cortada nas mãos ou cima das pernas. Fixe a peça de trabalho a uma plataforma estável.** É importante suportar correctamente a peça de trabalho para minimizar a exposição do corpo, dobragem da lâmina ou perda de controlo.

Uma ilustração típica de um suporte correcto para as mãos, suporte da peça de trabalho e encaminhamento do cabo de alimentação (se aplicável). (Fig. 1)

5. **Quando executar operações em que acessórios de corte possam entrar em contacto com fios eléctricos ocultos ou com próprio cabo eléctrico da ferramenta, tenha o cuidado de tocar apenas nas superfícies isoladas desses acessórios.** O contacto com um fio eléctrico ligado à corrente pode electrificar as peças de metal da ferramenta e causar um choque.
6. **Quando escarificar, utilize sempre uma vedação para escarificação ou guia de margem direita.** Isto melhora a precisão do corte e reduz as possibilidades de dobragem da lâmina.
7. **Utilize sempre lâminas com o tamanho e forma correctos (diamante em vez de redondo) dos orifícios de alojamento.** As lâminas que não correspondam ao hardware de instalação da serra funcionarão de forma excêntrica, provocando uma perda de controlo.
8. **Nunca utilize anilhas ou parafusos de lâmina danificados ou incorrectos.** As anilhas e parafusos da lâmina foram concebidos especificamente para a sua serra, para uma utilização ideal e segurança de funcionamento.
9. **Causas e prevenção do recuo por parte do operador:**

- o recuo é uma reacção súbita a uma lâmina de serra atarracada, empenada ou não alinhada, fazendo com que uma serra não controlada se levante para fora da peça de trabalho, na direcção do operador;
- quando a lâmina está atarracada ou bastante presa pelo corte a fechar, a lâmina pára e a reacção do motor atrai a rapidamente a unidade na direcção do operador;
- se a lâmina fica torta ou não alinhada no corte, os dentes na parte posterior da lâmina podem enterrar-se na superfície superior da madeira, fazendo com a lâmina suba para fora do corte e salte na direcção do operador.

O recuo é o resultado da má utilização da serra e/ou procedimentos de funcionamento incorrectos e pode ser evitado tomando as devidas precauções, tal como indicado em baixo.

- **Agarre bem a serra com ambas as mãos e posicione os braços para resistir às forças de recuo. Posicione o seu corpo para um dos lados da lâmina, mas não alinhado com a lâmina.** O recuo pode fazer com que a lâmina salte para trás, mas as forças de recuo podem ser controladas pelo operador, se forem tomadas as devidas precauções.

- **Quando a lâmina estiver a dobrar ou quando interromper um corte por qualquer razão, solte o gatilho e segure na serra sem a mexer no material, até que a lâmina pare completamente. Nunca tente remover a serra da peça de trabalho ou puxar a serra para trás enquanto a lâmina se estiver a mover, caso contrário, poderá ocorrer um recuo.** Investigue e tome acções correctivas para eliminar a causa do empeno da lâmina.

- **Quando reiniciar uma serra na peça de trabalho, centre a lâmina da serra no corte e verifique se os dentes da serra não estão presos ao material.** Se a lâmina da serra estiver a dobrar, poderá levantar ou recuar da peça de trabalho, quando a serra é reiniciada.

- **Dê suporte aos painéis de grandes dimensões, para minimizar o risco de atracar a lâmina e de recuo.** Os painéis de grandes dimensões tendem a abater sob o seu próprio peso. Os suportes devem ser colocados debaixo do painel em ambos os lados, perto da linha de corte e perto da margem da extremidade do painel.

Para minimizar o risco da lâmina atracar e de recuo. Quando a operação de corte requerer o apoio da serra na peça de trabalho, a serra deve ser apoiada na parte maior e cortar a parte mais pequena.

Para evitar recuo, dê suporte à prancha ou painel perto do corte. (Fig. 2)

Não suporte a prancha ou painel longe do corte. (Fig. 3)

- **Não utilize lâminas rombas ou danificadas.** As lâminas rombas ou incorrectamente configuradas produzem um corte estreito, causando fricção excessiva, atarracamento da lâmina e recuo. Mantenha a lâmina afiada e limpa. A goma e nós da madeira duros nas lâminas abrandam a serra e aumentam o potencial de recuo. Mantenha a lâmina limpa removendo-a da ferramenta e limpando-a com removedor de goma e crude, água quente ou qerosene. Nunca utilize gasolina.
- **As alavancas de regulação da profundidade da lâmina e bisel devem estar apertadas e fixas antes de cortar.** Se a regulação da lâmina mudar durante o corte, pode provocar a dobragem da lâmina e recuo.
- **Utilize um cuidado adicional quando fizer um "corte a fundo" em paredes existentes ou outras zonas cegas.** A lâmina saliente pode cortar objectos que provoquem recuo.
- **Segure SEMPRE a ferramenta com firmeza, com as duas mãos. NUNCA coloque a mão, perna ou qualquer parte do corpo debaixo da base da ferramenta ou atrás da serra, especialmente quando fizer cortes transversais.** Se ocorrer recuo, a serra pode facilmente saltar para trás para cima da mão, provocando ferimentos graves. (Fig. 4)
- **Nunca force a serra. Forçar a serra pode causar cortes irregulares, perda de precisão e possível**

recuo. Empurre a serra para a frente devagar, de forma a que a lâmina corte sem abrandar.

10. **Verifique se a protecção fecha correctamente antes de cada utilização. Não accione a serra se a protecção não se mover livremente e não se fechar imediatamente. Nunca prenda ou amarre a protecção com a lâmina exposta.** Se a serra cair acidentalmente, a protecção pode estar dobrada. Verifique se a protecção se move livremente e não toca na lâmina ou qualquer outra parte, em todos os ângulos e profundidades de recuo.
11. **Verifique o funcionamento e condição da mola de retorno da protecção. Se a protecção e a mola não estiverem a funcionar correctamente, deve ser efectuada uma operação de manutenção antes de utilizar.** A protecção pode funcionar de forma lenta devido a peças danificadas, depósitos aderentes ou acumulação de resíduos.
12. **Certifique-se de que a chapa guia da serra não se desloca quando efectuar o "corte a fundo", quando a definição de bisel da lâmina não estiver a 90°.** A deslocação lateral da lâmina causará empeno e provavelmente recuo.
13. **Verifique sempre se a protecção está a cobrir a lâmina antes de apoiar a lâmina num banco ou chão.** Uma lâmina desprotegida e a abrandar fará com que a serra avance para trás, cortando tudo o que estiver no seu caminho. Tenha em conta o tempo que a lâmina demora a parar após o interruptor ser libertado.
14. **Tenha muito cuidado quando cortar madeira húmida, madeira com tratamento de pressão ou madeira com nós.** Regule a velocidade do corte para manter um avanço suave da ferramenta sem diminuir a velocidade da lâmina.
15. **Evite cortar pregos. Verifique e remova quaisquer pregos da madeira antes de cortar.**
16. **Coloque a parte mais larga da base da serra nessa parte da peça de trabalho que está bem apoiada e não na secção que cairá quando o corte for efectuado.** Como exemplos, a Fig. 5 ilustra a forma CORRECTA de cortar a extremidade de uma prancha e a Fig. 6 a forma INCORRECTA. Se a peça de trabalho for curta ou pequena, fixe-a. **NÃO TENTE SEGURAR AS PEÇAS CURTAS COM A MÃO!**
17. **Nunca tente serrar com a serra circular virada ao contrário num torno. Isto é extremamente perigoso e pode levar a acidentes graves. (Fig. 7)**
18. **Alguns materiais contêm químicos que podem ser tóxicos. Tenha cuidado para evitar a inalação e o contacto da pele com o pó produzido. Obedeça às instruções de segurança do fornecedor do material.**
19. **Não pare as lâminas utilizando pressão lateral na lâmina da serra.**
20. **Utilize sempre as lâminas recomendadas neste manual. Não utilize quaisquer rodas abrasivas.**
21. **Use uma máscara contra o pó e protecção para os ouvidos quando utilizar a ferramenta.**

GUARDE ESTAS INSTRUÇÕES.

AVISO:

A UTILIZAÇÃO INCORRECTA ou o não cumprimento das regras de segurança fornecidas neste manual de instruções podem provocar ferimentos graves.

DESCRIÇÃO DO FUNCIONAMENTO

PRECAUÇÃO:

- Certifique-se sempre de que a ferramenta está desligada e com o fio desligado da corrente antes de proceder a ajustamentos ou testar a ferramenta.

Regular a profundidade de corte (Fig. 8)

PRECAUÇÃO:

- Após regular a profundidade de corte, aperte sempre bem o parafuso de fixação.

Solte o parafuso de fixação no guia de profundidade e mova o batente do limite inferior da lâmina para a profundidade pretendida na chapa de escala. Na profundidade de corte pretendida, aperte bem o parafuso de fixação.

Para cortes mais limpos e seguros, defina a profundidade de corte de forma a que não mais de um dente de uma lâmina seja projectado abaixo da peça de trabalho. Utilizar uma profundidade de corte correcta reduz o potencial para RECUOS perigosos que podem causar ferimentos pessoais.

NOTA:

- Definir o batente do limite inferior da lâmina para a profundidade pretendida na chapa de escala permite a profundidade de corte de desbaste. Para uma profundidade de corte precisa, meça a protusão da lâmina de serra abaixo da base da ferramenta.

Botão de paragem rápida para profundidade de corte de 2 a 3 mm quando utilizar o carril de guia (Fig. 9 e 10)

Esta ferramenta possui um botão de paragem rápida para uma profundidade de corte de 2 a 3 mm no alojamento da engrenagem, ao lado da pega traseira quando utilizar o carril de guia. É utilizado quando pretender evitar farpas no corte da peça de trabalho. Efectue uma passagem de 2 a 3 mm para o primeiro corte e efectue outra passagem com um corte normal.

Para obter a profundidade de corte de 2 a 3 mm, prima o botão de paragem na direcção da lâmina de serra. Isto é conveniente para evitar farpas na peça de trabalho.

Para soltar a profundidade de corte desta posição para uma profundidade de corte livre, puxe o botão para trás.

Corte em bisel (Fig. 11)

Inclinar para a direita (Fig. 12 e 13)

Rode o batente positivo de forma a que a seta aponte para uma de duas posições (vertical para 22,5°,

horizontal para 45°). Solte os parafusos de fixação atrás e à frente. De seguida, incline a base da ferramenta até que pare e fixe a base com os parafusos de fixação.

Para obter o ângulo de bisel de 48°, mova ao máximo a alavanca até à marca 48°. Rode o batente positivo, de forma a que a seta aponte para a posição horizontal. De seguida, incline a base da ferramenta até que pare e fixe a base com os parafusos de fixação.

Inclinar para a esquerda (Fig. 14)

A ferramenta pode ser inclinada para o ângulo esquerdo de bisel de 1°. Para ir para o ângulo esquerdo de bisel de 1°, solte os parafusos de fixação atrás e à frente, incline a pega da ferramenta ligeiramente para a direita e empurre ao mesmo tempo as duas alavancas de mudança do ângulo de bisel na direcção da seta que tem a marca -1. De seguida, incline o manípulo da ferramenta para a esquerda enquanto pressiona estas duas alavancas em simultâneo. Fixe a base com os parafusos de fixação.

NOTA:

- Regressar a lâmina para o ângulo direito faz com que a alavanca de mudança regresse a 0° por si só.

Alinhamento (Fig. 15)

Quando utilizar a ferramenta sem carril de guia (acessório)

Para cortes a direito, alinhe a posição A na frente da base com a linha de corte. Para cortes de bisel de 45°, alinhe-a com a posição B.

Quando utilizar a ferramenta com carril de guia (acessório)

Para cortes a direito e cortes de bisel a 45°, alinhe sempre a posição A na frente da base com a linha de corte.

O gatilho/interruptor (Fig. 16)

PRECAUÇÃO:

- Antes de inserir a ficha da ferramenta na tomada, verifique se o gatilho está a funcionar correctamente e se volta à posição "OFF" quando o solta.

Para evitar que o gatilho seja acidentalmente puxado, é fornecido botão de bloqueio. Para iniciar a ferramenta, pressione o botão de bloqueio e puxe o gatilho.

Para parar a ferramenta, solte o gatilho.

Manípulo de regulação da velocidade (Fig. 17)

A velocidade da ferramenta pode ser ajustada infinitamente entre 2.000 e 5.200 rotações por minuto, rodando o manípulo de regulação. É obtida uma velocidade mais elevada quando o manípulo é rodado na direcção do número 6. É obtida uma velocidade mais baixa quando é rodado na direcção do número 1.

Consulte a tabela para seleccionar a velocidade adequada para a peça de trabalho a cortar. No entanto, a velocidade adequada poderá ser diferente consoante o tipo de espessura da peça de trabalho. De maneira geral, as velocidades mais altas permitirão que corte peças de

trabalho mais rápido, mas a vida útil da lâmina será reduzida.

Número	min ⁻¹
1	2.000
2	2.200
3	3.100
4	4.000
5	4.900
6	5.200

PRECAUÇÃO:

- O manípulo de regulação da velocidade apenas pode ser rodado até 6 ou 1. Não o force para lá de 6 ou 1, caso contrário a função de regulação da velocidade poderá deixar de funcionar.
- O manípulo de regulação da velocidade não se destina a utilizar lâminas indicadas para velocidades baixas, mas sim para obter uma velocidade que é adequada ao material da peça de trabalho. Utilize apenas lâminas de serra com capacidade para pelo menos 5.200 min⁻¹.

As ferramentas equipadas com funções electrónicas são fáceis de utilizar devido às seguintes funcionalidades.

Protector de sobrecarga

Quando a ferramenta é sobrecarregada e a corrente passa acima de um determinado nível, a ferramenta pára automaticamente para proteger o motor.

Controlo de velocidade constante

Controlo electrónico de velocidade para obter uma velocidade constante. É possível obter um acabamento fino, uma vez que a velocidade de rotação é mantida constante, mesmo em condições de carga.

Funcionalidade de arranque suave

Arranque suave devido à eliminação do choque de arranque.

MONTAGEM

PRECAUÇÃO:

- Certifique-se sempre de que a ferramenta está desligada e com o fio desligado da corrente antes de efectuar qualquer trabalho com a ferramenta.

Armazenamento da chave sextavada (Fig. 18)

A chave sextavada é guardada na ferramenta. Para remover a chave sextavada, basta retirá-la.

Para instalar a chave sextavada, coloque-a no punho e introduza-a ao máximo.

Remover ou instalar a lâmina da serra

PRECAUÇÃO:

- Não utilize lâminas de serra que não estejam em conformidade com as características especificadas nestas instruções.
- Utilize apenas lâminas de serra com capacidade para pelo menos 5.200 min⁻¹.

- Certifique-se de que a lâmina está instalada com os dentes a apontar para a frente da ferramenta.
- Utilize apenas uma chave Makita para instalar ou remover a lâmina.

Para retirar a lâmina, pressione o botão de desbloqueio para desbloquear o batente de limite superior. (Fig. 19) Rode a alavanca de bloqueio para bloquear a cabeça da serra para substituir uma lâmina. (Fig. 20)

Com o botão de desbloqueio pressionado e a alavanca de bloqueio rodada, baixe a alavanca de forma a que o pino de bloqueio encaixe na ranhura formada pela alavanca de bloqueio e o guia de profundidade com a chapa de escala. Certifique-se de que o pino de bloqueio encaixa na ranhura.

Prima totalmente o bloqueio do eixo, de forma a que a lâmina não possa rodar e utilize a chave para soltar o parafuso sextavado no sentido contrário ao dos ponteiros do relógio. De seguida, remova o parafuso sextavado, flange exterior e lâmina. (Fig. 21)

Para instalar a lâmina, siga o procedimento inverso de remoção. **CERTIFIQUE-SE DE QUE APERTA BEM O PARAFUSO SEXTAVADO NO SENTIDO DOS PONTEIROS DO RELÓGIO.** (Fig. 22)

Ligar a um aspirador (Fig. 23)

Quando pretender efectuar uma operação de corte limpo, ligue um aspirador Makita à sua ferramenta. Ligue um tubo flexível do aspirador à porta de pó, tal como indicado na ilustração.

FUNCIONAMENTO

Corte de secções (serragem normal) (Fig. 24)

PRECAUÇÃO:

- Certifique-se de que move suavemente a ferramenta para a frente numa linha recta. Forçar ou torcer a ferramenta resultará num sobreaquecimento do motor e recuos perigosos, causando possivelmente ferimentos graves.
- Nunca aproxime qualquer parte do corpo debaixo da base da ferramenta quando efectuar um corte de secções, especialmente no início. Caso contrário, poderá sofrer ferimentos graves. A lâmina está exposta debaixo da base da ferramenta.

Segure bem na ferramenta. A ferramenta é fornecida com um apoio dianteiro e pega traseira. Utilize ambos para agarrar bem a ferramenta. Se ambas as mãos estiverem a segurar a serra, não podem ser cortadas pela lâmina. Defina a frente da base na peça de trabalho a cortar, sem que a lâmina faça qualquer contacto. De seguida, prima o botão de desbloqueio e ligue a ferramenta e aguarde até que a lâmina atinja a velocidade máxima. De seguida, prima lentamente a cabeça da serra para a profundidade de corte predefinida e mova a ferramenta para a frente sobre a superfície da peça de trabalho, mantendo-a plana e avançando suavemente, até que a serragem esteja concluída.

Para obter cortes limpos, mantenha a linha de serra a direito e a velocidade de avanço uniforme. Se o corte não seguir de forma adequada a linha de corte pretendida, não tente rodar ou forçar a ferramenta novamente para a linha de corte. Ao fazê-lo poderá dobrar a lâmina e levar a recuos perigosos e possíveis ferimentos graves. Solte o interruptor, aguarde que a lâmina pare e retire a ferramenta. Realinhe a ferramenta numa nova linha de corte e comece outra vez a cortar. Tente evitar um posicionamento que exponha o operador a farpas e serrim que são ejectados da serra. Use protecção para os olhos para ajudar a evitar ferimentos.

Quando utilizar a calha de guia (acessório) (Fig. 25 e 26)

Coloque a ferramenta na parte posterior da calha de guia. Rode dois parafusos de regulação na base da ferramenta, de forma a que a ferramenta deslize suavemente, sem ruído. Segure bem na ferramenta. A ferramenta é fornecida com um apoio dianteiro e pega traseira. Utilize ambos para agarrar bem a ferramenta. Ligue a ferramenta, pressione a ferramenta para a profundidade predefinida e corte a protecção contra protecção contra farpas ao longo do comprimento completo com um só movimento. A extremidade da protecção contra farpas corresponde à extremidade de corte.

Quando fizer um corte de bisel com o carril de guia, deslize a alavanca corredeira na base da ferramenta, de forma a que a ferramenta não caia de lado.

Mova a alavanca corredeira na base da ferramenta na direcção da seta, de forma a que accione a ranhura de sub-corte no carril de guia.

Vedação para escarificação (guia paralela) (Acessório) (Fig. 27)

A vedação para escarificação permite que faça cortes a direito bastante precisos. Basta deslizar a vedação para escarificação ao longo da peça de trabalho e fixe-a com os parafusos na frente e atrás da base. Possibilita igualmente que faça cortes repetidos com larguras uniformes.

Virar ao contrário a vedação para escarificação (régua de guia) também funciona como uma sub-base para a ferramenta.

Corte a fundo (recortar) (Fig. 28)

AVISO:

- Para evitar recuo, certifique-se de que observa as seguintes instruções.

Quando utilizar a ferramenta sem carril de guia

Coloque a ferramenta na peça de trabalho com a extremidade traseira da base da ferramenta contra um batente fixo ou equivalente que seja criado pelo operador.

Quando utilizar a ferramenta com carril de guia

Coloque o carril de guia na peça de trabalho com a extremidade traseira da base da ferramenta contra um batente fixo ou equivalente que esteja fixo ao carril de guia.

Segure firmemente a ferramenta com uma mão no punho dianteiro e a outra na pega da ferramenta. De seguida, prima o botão de desbloqueio e ligue a ferramenta e aguarde até que a lâmina atinja a velocidade máxima. Pressione lentamente a cabeça de serra para a profundidade predefinida de corte e mova a ferramenta para a frente, para a posição de corte a fundo pretendida.

NOTA:

- As marcas na parte lateral da protecção da lâmina mostram os pontos de corte absolutos atrás e à frente da lâmina de serra (A para diâmetro de 160 mm e B para diâmetro de 165 mm), na profundidade máxima de corte e utilizando o carril de guia. (Fig. 29)

Dispositivo guia (acessórios)

Utilizando o medidor de corte angular (acessório) permite cortes de ângulo exactos, com ângulos e conectores.

A utilização do grampo (acessório) garante uma fixação segura da peça de trabalho na mesa.

MANUTENÇÃO

PRECAUÇÃO:

- Certifique-se sempre de que a ferramenta está desligada e o fio desligado da corrente antes de inspeccionar ou fazer a manutenção da ferramenta.

Regular para precisão de cortes a 90° e 45° (corte vertical e de 45°) (Fig. 30 e 31)

Esta regulação foi feita na fábrica. Mas se estiver incorrecta, ajuste os parafusos de regulação com uma chave sextavada enquanto inspecciona 90° ou 45° da lâmina com a base, utilizando uma régua triangular ou régua quadrada, etc.

NOTA:

- Não é possível ajustar para precisão de corte de 22.5°, 48° e -1°.

Substituir as escovas de carvão (Fig. 32 e 33)

Remova e verifique regularmente as escovas de carvão. Substitua-as quando o desgaste atingir a marca limite. Mantenha-as limpas para poderem deslizar no porta-escovas.

Substitua as duas ao mesmo tempo. Utilize unicamente escovas de carvão idênticas.

Utilize uma chave de parafusos para remover as tampas do porta-escovas.

Retire as escovas usadas, coloque umas novas e volte e fixe as tampas dos porta-escovas.

Para manter os níveis de SEGURANÇA e FIABILIDADE definidos para este produto, as reparações e os procedimentos de manutenção ou ajustes devem ser executados por centros de assistência Makita autorizados, utilizando sempre peças de substituição Makita.

ACESSÓRIOS

PRECAUÇÃO:

- Estas peças ou acessórios são os recomendados para utilizar com a ferramenta Makita especificada neste manual. A utilização de outras peças ou acessórios pode representar risco de ferimentos. Utilize cada peça ou acessório apenas para o fim indicado.

Se necessitar de informações adicionais relativas a estes acessórios, contacte o centro de assistência Makita local.

- Lâminas da serra
- Carril de guia
- Vedação para escarificação (guia paralela)
- Medidor de corte angular
- Fixador
- Chave sextavada
- Conjunto de folhas para o carril de guia
- Conjunto de folhas de borracha para o carril de guia
- Conjunto de folhas de posição para o carril de guia

DANSK

Forklaring til generel oversigt

1. Tilspændingsskrue	11. Låseknop	22. Støvport
2. Nederste grænsestopper til klingen	12. Kontaktgreb	23. Justeringsskruer
3. Hurtigstop-knop	13. Drejeknop til hastighedsjustering	24. Glidestang
4. Tilspændingsskrue	14. Unbrakonøgle	25. Parallelslag (styrepind)
5. Værktøjets basis	15. Låsearm	26. Bagende på værktøjets basis
6. Fast anslag	16. Skaftlås	27. Fast stop
7. Håndtag	17. Sekskantskrue	28. Justeringsskrue til 90°
8. Bevægearm til skråningsvinkel	18. Udvendig flange	29. Justeringsskrue til 45°
9. Basis	19. Savklinge	30. Slidgrænse
10. Skærelinje	20. Indvendig flange	31. Skruetrækker
	21. Støvsuger	32. Kulholderdæksel

SPECIFIKATIONER

Model		SP6000
Klangediameter		165 mm
Maks. skæredybde	ved 90°	56 mm
	ved 45°	40 mm
	ved 48°	38 mm
Hastighed uden belastning (min ⁻¹)		2.000 – 5.200
Længde i alt		341 mm
Nettovægt		4,1 kg
Sikkerhedsklasse		II/II

- På grund af vores løbende forsknings- og udviklingsprogram kan specifikationerne heri ændres uden forudgående varsel.
- Bemærk: Specifikationerne kan variere fra land til land.

Symboler

END201-2

Følgende viser de symboler, der benyttes til udstyret.

Vær sikker på, at De forstår deres betydning, før De bruger værktøjet.



..... Læs brugsanvisningen.



..... DOBBELT ISOLERET

Tilsigtet brug

ENE066-1

Værktøjet er særligt beregnet til at udføre indstikssnit.

Desuden kan værktøjet udføre snit og vinklede geringssnit på langs og på tværs i træ ved fast kontakt med arbejdsemnet.

Strømforsyning

ENF002-1

Værktøjet bør kun sluttes til en strømforsyning med den spænding, der er angivet på navnepladen, og det kan kun benyttes med enkeltfaset vekselstrøm. Det er dobbelt isoleret i overensstemmelse med europæisk standard og kan derfor også sluttes til stikkontakter uden jordforbindelse.

SPECIFIKKE SIKKERHEDSREGLER

GEB031-1

LAD IKKE tryghed eller kendskab til produktet (fra gentagen brug) betyde, at De ikke strengt overholder sikkerhedsreglerne for rundsaven. Hvis værktøjet anvendes på usikker eller forkert vis, kan De komme alvorligt til skade.

FARE:

1. **Hold hænderne på afstand af skæreamrådet og klingens. Hold den anden hånd på det ekstra håndtag eller på motorhuset.** Hvis begge hænder holder på saven, kan de ikke blive skåret af klingens.
2. **Ræk ikke ind under arbejdsemnet eller værktøjets basis.** Klingebeskytteren kan ikke beskytte Dem mod klingens under arbejdsemnet. Undgå at fjerne afskåret materiale, så længe klingens bevæger sig.
FORSIGTIG: Klingerne bevæger sig et stykke tid efter, at der slukkes. Vent til klingens er stoppet, før De tager fat i det afskårne materiale.
3. **Justér skæredybden efter arbejdsemnets tykkelse.** Der skal være mindre end en hel tand af klingetænderne synlig under arbejdsemnet.
4. **Hold ikke det arbejdsemne, der skæres i, i hænderne eller hen over benet. Fastgør arbejdsemnet til en stabil platform.** Det er vigtigt at støtte arbejdsemnet korrekt for at minimere risiko for personskade, binding af klingens eller tab af kontrol.

Typisk illustration af korrekt håndstøtte og støtte af arbejdsemnet samt føring af strømforsyningsledningen (hvis relevant). (Fig. 1)

5. **Hold maskinen i de isolerede gribeblader, når De udfører arbejde, hvor skæreværktøjet kan komme i kontakt med skjulte ledninger eller værktøjets egen ledning.** Ved kontakt med strømførende ledninger bliver udsatte metaldele på maskinen også strømførende, hvorved brugeren kan få elektrisk stød.
6. **Ved flæksavning skal der altid benyttes et parallelanslag eller en lige kantstøtte.** Derved bliver snittet mere nøjagtigt, og risikoen for, at klingens binder, reduceres.
7. **Brug altid klinger med den korrekte størrelse og form (kantede eller runde) af akselhuller.** Klinger, der ikke modsvarer savens monteringsdele, roterer skævt, og De kan miste kontrollen.
8. **Brug aldrig beskadigede eller forkeerte spændeskiver eller bolte til klingens.** Spændeskiverne og boltene til klingens er specielt udviklet til savens med henblik på optimal ydelse og driftssikkerhed.
9. **Årsager til tilbageslag og forebyggelse af dette:**

- Tilbageslag er en pludselig reaktion på en fastklemt, låst eller forkeert justeret savklinge, som kan medføre, at en ukontrolleret sav løftes opad og ud af arbejdsemnet i retning mod operatøren.
- Når klingens kommer i klemme eller sidder fast, fordi snitfladen lukkes sammen, stopper klingens, og motorreaktionen støder apparatet hurtigt tilbage mod operatøren.
- Hvis klingens bliver vredet eller sidder skævt i snittet, kan tænderne bag på klingens skære sig ned i arbejdsemnets øverste overflade, så klingens løftes ud af snitfladen og springer tilbage mod operatøren.

Tilbageslag skyldes forkeert brug af savens og/eller forkeerte betjeningsprocedurer eller betingelser og kan undgås ved at træffe de nødvendige forsigtighedsregler som beskrevet nedenfor.

- **Hold godt fast i savens med begge hænder, og placer armene, så de kan modstå tilbageslag.** Placer kroppen på siden af klingens, ikke på linje med klingens. Tilbageslag kan få savens til at springe tilbage, men tilbageslagskræfterne kan kontrolleres af operatøren, hvis de korrekte forholdsregler tages.
- **Når klingens binder, eller når et snit afbrydes af andre årsager, skal De slippe kontaktrebet og holde savens stille, indtil klingens står helt stille.** Forsøg aldrig at tage savens ud af arbejdsemnet eller at trække savens baglæns, mens klingens bevæger sig, da dette kan medføre tilbageslag. Se efter og tag modforholdsregler imod årsager til, at klingens binder.
- **Når savens startes igen i arbejdsemnet, skal De centrere savklingens i savsnittet og sikre Dem, at savtænderne ikke sidder fast i emnet.** Hvis savklingens binder, kan den bevæge sig opad eller slå tilbage fra arbejdsemnet, når savens startes igen.

- **Understøt store paneler for at reducere risikoen for, at klingens klemmes fast og forårsager tilbageslag.** Store paneler har tendens til at bøjes under deres egen vægt. Der skal placeres støtter under panelet i begge sider, i nærheden af skæringslinjen og nær panelets kanter.

Sådan reduceres risikoen for, at klingens kommer i klemme og forårsager tilbageslag. Når skæring kræver, at savens hviler mod arbejdsemnet, skal savens hvile mod den største del, mens den mindste del skæres væk.

Understøt brættet eller panelet i nærheden af snittet for at undgå tilbageslag. (Fig. 2)

Understøt ikke brættet eller panelet langt fra snittet. (Fig. 3)

- **Undgå at bruge uskarpe eller beskadigede klinger.** Uskarpe eller forkeerte monterede klinger giver smalle skæresnit, der forårsager ekstra friktion, fastklemning af klingens og tilbageslag. Hold klingens skarp og ren. Gummi og tjære, der hærdes mod klinger, gør savens langsommere og forøger risikoen for tilbageslag. Hold klingens ren ved først at fjerne den fra værktøjet og derefter rense den med gummi- og tjærefjerner, varmt vand eller petroleum. Brug ikke benzin.
- **Låsehåndtagene til klingedybde og skråsnitsvinkel skal sidde stramt og sikkert, før De starter.** Hvis klingens flytter sig under skæringens, kan klingens binde og forårsage tilbageslag.
- **Vær ekstra forsigtig, når De foretager et "indstiksnit" i eksisterende vægge eller andre områder, De ikke kan se.** Den udstikgende klinge kan skære i genstande, som kan forårsage tilbageslag.
- **Hold ALTID godt fast i værktøjet med begge hænder. Placer aldrig hånden, benet eller andre dele af kroppen under værktøjets basis eller bag ved savens. Dette gælder især, når der laves tværsnit.** Hvis der opstår tilbageslag, kan savens nemt springe bagud hen over hånden, hvilket kan forårsage alvorlig personskade. (Fig. 4)
- **Brug aldrig magt på savens. Brug af magt kan medføre ujævne skæringer, tab af præcision og risiko for tilbageslag.** Skub savens fremad ved en hastighed, hvor klingens skærer uden at køre langsommere.

10. **Kontroller, at den nederste klingebeskytter er lukket, hver gang savens skal bruges.** Anvend ikke savens, hvis den nederste klingebeskytter ikke bevæger sig frit og lukkes med det samme. **Fastlås eller bind aldrig klingebeskytteren med klingens blottet.** Hvis De tager savens, kan den nederste klingebeskytter blive bøjet. Kontrollér at klingebeskytteren bevæger sig frit og ikke berører klingens eller andre dele, uanset skæringsvinkel og -dybde.

11. **Kontroller funktionen og beskaffenheden af klingebeskytterens tilbagetræksfjeder.** Hvis klingebeskytteren og fjederen ikke fungerer korrekt, skal de repareres, før savens anvendes. Klingebeskytteren kan fungere dårligt på grund af

beskadede dele, fastsiddende gummi eller ophobning af snavs.

12. **Sørg for, at savens ledeplade ikke kommer til at flytte sig, når De udfører "tværsnittet", og indstillingen af skråsnitsvinklen ikke er på 90°.**
Hvis klingens flytter sig til sidelæns, skabes der binding af klingens og sandsynligvis tilbageslag.
13. **Se altid efter, om klingebeskytteren dækker klingens, før savens stilles på arbejdsbænken eller gulvet.** En ubeskyttet drejende klinge vil få saven til at bevæge sig baglæns, mens den skærer i alt, hvad den kommer i kontakt med. Vær opmærksom på den tid, det tager for klingens at stoppe, efter at kontakten slippes.
14. **Vær ekstra forsigtig ved skæring i vådt træ, trykbehandlet træ eller træ, der indeholder knaster.** Juster skæringshastigheden, så værktøjet bevæger sig jævnt fremad, uden at klingens hastighed reduceres.
15. Undgå at save i søm. Se efter og fjern alle søm fra træet, før De skærer.
16. **Sæt den brede del af savens basis mod den del af arbejdsbænken, der er understøttet solidt, ikke mod den del, der falder af, når snittet er færdigt.** Fig. 5 viser et eksempel på den RIGTIGE måde at skære enden af et bræt, og fig. 6 viser den FORKERTE måde. Fastså arbejdsemnet, hvis det er kort eller lille. **DE MÅ IKKE HOLDE KORTE ARBEJDSEMNER I HÅNDEN!**
17. **Forsøg aldrig at save med rundsaven fastspændt med bunden i vejret i en skruestik.** Dette er ekstremt farligt og kan medføre alvorlige uheld. (Fig. 7).
18. **Nogle materialer indeholder kemikalier, som kan være giftige.** Undgå at indånde støv eller at få det på huden. Følg sikkerhedsinstruktionerne fra leverandøren af materialerne.
19. **Stop ikke klingerne ved at trykke på siden af savklingen.**
20. **Anvend altid de klanger, der anbefales i denne brugsanvisning.** Anvend ikke nogen former for slibeskiver.
21. **Bær støvmaske og høreværn, når værktøjet anvendes.**

GEM DISSE INSTRUKTIONER

ADVARSEL:

MISBRUG eller manglende overholdelse af sikkerhedsreglerne i denne brugsanvisning kan medføre alvorlig personskade.

FUNKTIONSBESKRIVELSE

FORSIGTIG:

- Sørg altid for, at værktøjet er slukket, og at stikket er taget ud af stikkontakten, før De justerer værktøjet eller kontrollerer dets funktion.

Indstilling af skæredybde (Fig. 8)

FORSIGTIG:

- Spænd altid tilspændingsskruen godt, når skæredybden er indstillet.

Løsn tilspændingsskruen på dybdeguiden, og indstil den nederste grænsestopper til klingens til den ønskede dybde på skalapladen. Stram tilspændingsskruen godt ved den ønskede skæredybde.

De opnår renere og sikrere snit ved at indstille skæredybden, så der ikke stikker mere end én klingetand ud under arbejdsemnet. Anvendelse af den korrekte skæredybde hjælper med at reducere risikoen for farlige TILBAGESLAG, som kan forårsage personskade.

BEMÆRK:

- Der er mulighed for grov skæredybde, når den nederste grænsestopper indstilles til den ønskede dybde på skalapladen.
Mål savklingens faktiske fremspring under værktøjets basis for at opnå en præcis skæredybde.

Hurtigstop-knappen til skæredybde på 2 til 3 mm, når støtteskinnen anvendes (tilbehør) (Fig. 9 og 10)

Når støtteskinnen anvendes, har dette værktøj hurtigstop-knappen til skæredybde på 2 til 3 mm på gearhuset ved siden af det bageste håndtag. Støttekanten anvendes for at undgå splinter på arbejdsemnet i snittet. Lav et spor for det første snit på 2 til 3 mm, og lav derefter et spor for normalt snit.

Tryk stopknappen ind mod savklingen for at opnå en skæredybde på 2 til 3 mm. Denne funktion er god til at undgå splinter på arbejdsemnet.

Træk blot knappen tilbage for at frigøre skæredybden fra denne position og opnå fri skæredybde.

Skråsnit (Fig. 10 og 11)

For at vinkle mod højre (Fig. 12 & 13)

Drej det faste anslag således, at pilen på det står i en af to positioner (vertikalt 22,5°, horisontalt 45°). Løsn tilspændingsskruerne foran og bagpå. Drej da værktøjet til det stopper, og fastgør værktøjet med tilspændingsskruerne.

Flyt bevægearmen til 48°-markeringen så langt som muligt for en skråsnitsvinkel på 48°. Drej det faste anslag således, at pilen står i horisontal position. Drej da værktøjet til det stopper og fastgør værktøjet med tilspændingsskruerne.

For at vinkle mod venstre (Fig. 14)

Værktøjet kan vinkles 1° mod venstre til skråsnitsvinkler. For venstrevinklede skråsnit løsne tilspændingsskruerne foran og bagpå, drej håndtaget på værktøjet en anelse mod højre og skub to bevægearme samtidigt til skråsnitsvinkel i retning af pilen, der er markeret med -1. Og drej derefter håndtaget på værktøjet til venstre, mens du skubber disse to håndtag på samme tid. Fastgør værktøjet med tilspændingsskruerne.

BEMÆRK:

- Bevægearmen vender automatisk tilbage til 0°, når klingens drejningsmoment vender tilbage til ret vinkel.

Indstilling (Fig. 15)

Ved brug af værktøjet uden støtteskinne (tilbehør)

Ved lige snit justeres positionen A forrest på basen med skærelinjen. For skråsnit på 45° justeres positionen B med den.

Ved brug af værktøjet med støtteskinne (tilbehør)

Både ved lige snit og vinkelsnit på 45° justeres positionen A altid forrest på basen med skærelinjen.

Betjening af kontakt (Fig. 16)

FORSIGTIG:

- Før værktøjet tilsluttes, skal De altid kontrollere, at kontaktgrebet reagerer korrekt og vender tilbage i "OFF"-stillingen, når De slipper det.

En låseknop forhindrer, at kontaktgrebet trækkes op ved et uheld. Værktøjet startes ved at trykke låseknappen ind og trække kontaktgrebet op.

Slip kontaktgrebet for at stoppe.

Drejeknap til hastighedsjustering (Fig. 17)

Værktøjets hastighed kan indstilles på alt mellem 2.000 og 5.200 rotationer ved at dreje på drejeknappen til justering. Der opnås en højere hastighed ved at dreje knappen mod tallet 6, og der opnås en lavere hastighed ved at dreje knappen mod tallet 1.

Se tabellen for at vælge den rette hastighed til at skære arbejdsemnet. Den rette hastighed kan dog variere i forhold til arbejdsemnets type og tykkelse. Generelt gør højere hastigheder det muligt at skære arbejdsemnerne hurtigere, men klingens levetid forkortes.

Antal	min. ⁻¹
1	2.000
2	2.200
3	3.100
4	4.000
5	4.900
6	5.200

FORSIGTIG:

- Drejeknappen til hastighedsjustering kan kun drejes op til 6 og tilbage til 1. Prøv ikke at tvinge den forbi 6 eller 1, da hastighedsjusteringen ellers kan gå i stykker.
- Knappen til hastighedsjustering er ikke til brug af savklinger, der er normeret til lave hastigheder, men til at opnå den hastighed, der egner sig til et pågældende arbejdsemnes materiale. Brug kun savklinger, som er klassificeret til mindst 5.200 min.⁻¹.

De værktøjer, som er forsynet med elektronisk funktionalitet er nemme at betjene, hvilket skyldes følgende funktioner.

Overbelastningsbeskyttelse

Når dette værktøj overbelastes, og strømmen overstiger et vist niveau, stopper værktøjet automatisk for at beskytte motoren.

Styring af konstant hastighed

Elektronisk styring af hastigheden gør det muligt at få en konstant hastighed. Det er muligt at få en pæn finish, fordi omdrejningshastigheden holdes konstant, selv når det er under en belastning.

Funktion til blød start

Blød start, fordi startvibrationen dæmpes.

MONTERING

FORSIGTIG:

- Sørg altid for, at værktøjet er slukket og taget ud af stikkontakten, før De udfører nogen form for arbejde på værktøjet.

Opbevaring af unbrakonøgle (Fig. 18)

Unbrakonøglen opbevares i værktøjet. Træk blot i unbrakonøglen for at tage den af.

For at montere unbrakonøglen skal den placeres på håndtaget og føres så langt ind, som den kan komme.

Afmontering eller montering af savklingen

FORSIGTIG:

- Brug ikke savklinger, som ikke er i overensstemmelse med de egenskaber, som er angivet i disse instruktioner.
- Brug kun savklinger, som er klassificeret til mindst 5.200 min.⁻¹.
- Sørg for, at klingens monteringsflange er monteret, så tænderne peger opad foran på værktøjet.
- Anvend kun den medfølgende Makita-skruenøgle til at montere eller afmontere klingens flange.

Fjern klingens låseknop ved at skubbe låseknappen, så den øvre grænsestopper låses op. (Fig. 19)

Drej låsehåndtaget for at låse savhovedet, når en klinge skal udskiftes. (Fig. 20)

Med låseknappen nede og låsehåndtaget drejet rundt skal håndtaget sænkes, så låsepinden passer i den rille, som dannes af låsehåndtaget og dybdeguiden med skalapladen. Sørg for, at låsepinden passer i rillen.

Tryk skafflåsen helt ned, så klingens flange ikke kan dreje, og anvend skruenøglen til at løsne sekskantmøtrikken i urets retning. Fjern derefter sekskantmøtrikken, den udvendige flange og klingens flange. (Fig. 21)

Følg fremgangsmåden til afmontering i omvendt rækkefølge for at montere klingens flange. SØRG FOR AT SPÆNDE SEKSKANTMØTRIKKEN FAST TIL MOD URET. (Fig. 22)

Tilslutning til støvsuger (Fig. 23)

Hvis De vil skære og holde arbejdsområdet rent, kan De tilslutte en Makita-støvsuger til værktøjet. Slut derefter støvsugerslangen til støvporten som vist i figuren.

BETJENING

Sektionsudskæring (almindelig savning) (Fig. 24)

FORSIGTIG:

- Sørg for at flytte værktøjet lige fremad uden at bruge magt. Hvis værktøjet tvinges eller vrides, kan det medføre overophedning af motoren og farligt tilbageslag, som kan føre til alvorlig personskade.
- Placer aldrig en del af din krop under værktøjets basis ved sektionsudskæring, og det gælder især i starten. Dette kan medføre alvorlig personskade. Klingen er blottet under værktøjets basis.

Hold godt fast i værktøjet. Værktøjet har både et greb foran og et håndtag bagpå. Hold værktøjet med begge hænder. Hvis begge hænder holder på saven, kan de ikke blive skåret af klingen. Placer fronten af basen på det arbejdsområde, der skal skæres i, uden at klingen berører arbejdsområdet. Skub derefter låseknappen ind, og tænd værktøjet og vent, indtil klingen når fuld hastighed. Tryk derefter savhovedet langsomt ned til den forindstillede skæredybde, og flyt derefter blot værktøjet fremad over arbejdsområdet, samtidig med at det holdes fladt og har en jævn fremadføring, indtil savningen er overstået.

De opnår rene snit ved at holde savelinjen lige og flytte værktøjet med jævn hastighed. Forsøg ikke at dreje eller tvinge værktøjet tilbage til skæringslinjen, hvis snittet ikke følger den ønskede skæringslinje. Hvis De gør dette, kan klingen komme i klemme, hvilket kan medføre farligt tilbageslag med risiko for alvorlig personskade. Slip kontakten, vent, til klingen er stoppet, og tag derefter værktøjet ud. Juster værktøjet med den nye skæringslinje, og start skæringen igen. Sørg for ikke at stille Dem, så De bliver udsat for spåner og træsmuld, der udstødes fra saven. Bær øjenbeskyttelse for at undgå personskade.

Ved brug af støtteskinne (tilbehør) (Fig. 25 og 26)

Placer værktøjet i bagenden af støtteskinne. Drej to justeringsskruer på værktøjets basis, så værktøjet glider jævnt uden at larme. Hold godt fast i værktøjet. Værktøjet har både et greb foran og et håndtag bagpå. Hold værktøjet med begge hænder. Drej værktøjet, hold værktøjet nede til den forindstillede skæredybde og skær splinterguard'en langs den fuld længde med et strøg. Kanten af splinterguard'en svarer til skærekanten. Når der skal skæres skævt med støtteskinne skal glidestanden på værktøjets basis skubbes, så værktøjet ikke falder ned på siden.

Flyt glidestanden på værktøjets basis i retning af pilen, så den går i indgreb med underskæringsrillen i støtteskinne.

Parallelanslag (styrepind) (tilbehør) (Fig. 27)

Med det praktiske parallelanslag kan De udføre ekstremt præcise lige skæringer. Skub parallelanslaget mod siden af arbejdsområdet, og fastgør det med skrue foran og bag på værktøjets basis. Det gør det også muligt at foretage flere skæringer med ens bredde.

Overdrejning af parallelanslag (styrepind) fungerer også som en underbasis for værktøjet.

Indstikssnit (udskæring) (Fig. 28)

ADVARSEL:

- For at undgå tilbageslag skal følgende instruktioner overholdes.

Ved brug af værktøjet uden støtteskinne

Placer værktøjet på arbejdsområdet med bagkanten af værktøjets basis mod et fast stop eller tilsvarende, som er lavet af brugeren.

Ved brug af værktøjet med støtteskinne

Placer værktøjet på støtteskinne med bagkanten af værktøjets basis mod et fast stop eller tilsvarende, som er sat fast på støtteskinne.

Hold godt fast i værktøjet med en hånd på grebet foran og den anden på værktøjshåndtaget. Skub derefter låseknappen ind, og tænd værktøjet og vent, indtil klingen når fuld hastighed. Tryk nu savhovedet langsomt ned til den forindstillede skæredybde, og flyt blot værktøjet fremad mod den ønskede indstikksposition.

BEMÆRK:

- Markeringerne på siden af klingebeskytteren viser savklings absolutte forreste og bageste skærepunkter (A for 160 mm i diameter og B for 165 mm i diameter) ved den maksimale skæredybde og ved hjælp af støtteskinne. (Fig. 29)

Støtteenhed (tilbehør)

Brug af geringskallen (tilbehør) gør det muligt at udføre præcise geringsnit med vinkler og monteringsarbejde.

Brug af fastholderen (tilbehør) sikrer, at arbejdsområdet holdes godt fast på bordet.

VEDLIGEHOLDELSE

FORSIGTIG:

- Sørg altid for, at værktøjet er slukket, og at stikket er taget ud, før De forsøger at udføre inspektion eller vedligeholdelse.

Justering til nøjagtige skæringsvinkler på 90° og 45° (lodret og 45°-skæring) (Fig. 30 og 31)

Denne justering er udført på fabrikken. Hvis justeringen er unøjagtig, skal De indstille justeringsskrue med en unbrakonøgle, mens de 90° eller 45° kontrolleres med klingen og basis ved hjælp af en trekantlineal, en firkantlineal e.l.

BEMÆRK:

- Justering af nøjagtighed af snit på 22,5°, 48° og -1° kan ikke udføres.

Udskiftning af kulbørsterne (Fig. 32 og 33)

Tag regelmæssigt kulbørsterne af, og efterse dem. Udskift dem, når de er nedslidt til slidgrænsen. Hold kulbørsterne rene og frie til at glide i holderne.

Begge kulbørster skal udskiftes samtidig. Brug altid identiske kulbørster.

Brug en skruetrækker til at fjerne kulholderdækslerne. Tag de udslidte kulbørster ud, monter de nye, og fastgør kulholderdækslerne.

For at holde produktet SIKKERT og PÅLIDELIGT skal reparationer samt al anden vedligeholdelse eller justering udføres af autoriserede Makita-servicecentre, og der skal altid benyttes Makita-reservedele.

TILBEHØR

FORSIGTIG:

- Dette tilbehør eller ekstraudstyr anbefales til brug med det Makita-værktøj, som er beskrevet i denne brugsanvisning. Brug af andet tilbehør eller ekstraudstyr kan forårsage personskade. Brug kun tilbehør eller ekstraudstyr til det formål, det er beregnet til.

Henvend Dem til Deres lokale Makita-servicecenter, hvis De har brug for hjælp eller yderligere oplysninger vedrørende tilbehøret.

- Savklinger
- Støtteskinne
- Parallellanslag (styrepind)
- Geringskala
- Fastholder
- Unbrakonøgle
- Pladesæt til støtteskinne
- Gummipladesæt til støtteskinne
- Placering af pladesæt til støtteskinne

SVENSKA

Förklaring till översiktsbilderna

- | | | |
|---------------------------------------|----------------------------------|---------------------------------|
| 1. Låsskruv | 12. Avtryckare | 23. Ställskruvar |
| 2. Nedre klinggränsstopp | 13. Ratt för hastighetsjustering | 24. Skjutspak |
| 3. Knapp för snabbstopp | 14. Insexnyckel | 25. Parallellenslag (styrinjal) |
| 4. Låsskruvar | 15. Låsspak | 26. Bottenplattans bakkant |
| 5. Bottenplatta | 16. Spindellås | 27. Fast stopp |
| 6. Fast stopp | 17. Sexkantsskruv | 28. Ställskruv för 90° |
| 7. Spak | 18. Ytterfläns | 29. Ställskruv för 45° |
| 8. Inställningsspak för vinkelsågning | 19. Sägklinga | 30. Slitagemarkering |
| 9. Bottenplatta | 20. Innerfläns | 31. Skruvmejsel |
| 10. Skärinje | 21. Dammsugare | 32. Kolhållarlock |
| 11. Startspärr | 22. Dammutblås | |

SPECIFIKATIONER

Modell	SP6000	
Klingdiameter	165 mm	
Max skärdjup	vid 90°	56 mm
	vid 45°	40 mm
	vid 48°	38 mm
Obelastat varvtal (min ⁻¹)	2 000 – 5 200	
Längd	341 mm	
Vikt	4,1 kg	
Säkerhetsklass	II	

- På grund av vårt pågående program för forskning och utveckling kan dessa specifikationer ändras utan föregående meddelande.
- Obs! Specifikationerna kan variera mellan olika länder.

Symboler

END201-2

Följande symboler används för utrustningen.

Se till att du förstår deras innebörd innan du använder utrustningen.



..... Läs bruksanvisningen.



..... DUBBELISOLERAD

Användningsområde

ENE067-1

Maskinen är särskilt konstruerad för genomstickssågning.

Maskinen kan också användas för sågning längs och tvärs arbetsstycket samt för vinkelsågning i trä när kontakten med arbetsstycket är god.

Strömförsörjning

ENF002-1

Maskinen får endast anslutas till nät med spänning som anges på typplåten och med enfasig växelström. Den är dubbelisolerad i enlighet med europeisk standard och får därför också anslutas till ojordade vägguttag.

SPECIFIKA SÄKERHETSANVISNINGAR

GEB031-1

GLÖM INTE att noggrant följa säkerhetsanvisningarna för denna såg även efter att du har blivit van vid att använda den. Ovarsam eller felaktig användning kan leda till allvarliga personskador.

Fara:

- 1. Håll alltid händerna borta från sågningsområdet. Håll den andra handen på det extra handtaget eller motorhuset.** Om du håller i sågen med båda händerna kan de inte skadas av klingan.
- 2. Sträck dig inte in under arbetsstycket eller bottenplattan.** Skyddet har ingen skyddsfunktion under arbetsstycket. Ta aldrig bort sågat material medan klingan rör sig. **FÖRSIKTIGT!** Klingan stannar inte omedelbart när maskinen stängs av. Vänta tills klingan har stannat innan du tar bort det sågade materialet.
- 3. Ställ in skärdjupet efter arbetsstyckets tjocklek.** Mindre än en sågtand får synas under arbetsstycket.
- 4. Håll aldrig arbetsstycket i händerna eller i knät. Sätt fast arbetsstycket på ett stabilt underlag.** Det är viktigt att fästa arbetsstycket ordentligt för att minimera skaderisker, undvika att klingan fastnar eller att något oväntat inträffar.

Det är lämpligt att hålla händerna och att fästa arbetsstycket enligt bilden (om tillämplbart). (Fig. 1)

5. Håll maskinen i de isolerade handtagen när du utför arbetet där skärverktyget kan råka säga i en dold elkabel eller maskinens egna sladd. Kontakt med strömförande ledningar medför att maskinens metalldelar blir strömförande och ger användaren en elektrisk stöt.
6. Vid klyvsågning ska alltid ett parallell- eller sidoanslag användas. På så vis förbättras noggrannheten vid sågningen och risken för att klingan nyper fast minskar.
7. Använd alltid en sågklinga med rätt storlek och form (diamant respektive rund) på styrhålen. Klingor som inte passar monteringsfästet i sågen löper excentriskt, vilket ger en okontrollerbar sågning.
8. Använd aldrig en bricka eller bult som på något sätt är felaktig eller skadad. Klingans brickor och bult är specialtillverkade till sågen för optimal prestanda och säkerhet.
9. Orsaker till och förebyggande av bakåtkast:

- Bakåtkast är en plötslig reaktion när ett sågblad har fastnat eller är felriktat och innebär att sågen kastas upp ur arbetsstycket.
- Om klingan kläms eller fastnar och sågskåret därmed stoppas, driver motorkraften sågen mot användaren i hög hastighet.
- Om klingan böjs eller blir felriktad i sågskåret kan sågtänderna på klingans bakkant gräva sig in på ytan av trästycket, driva klingan ur skåret och kasta sågen bakåt mot användaren.

Bakåtkast beror på ovarsamhet och/eller felaktiga arbetsrutiner och kan undvikas genom att vidta nedanstående förebyggande åtgärder.

- Håll sågen stadigt med båda händerna och placera armarna så att de kan ta emot kraften från ett bakåtkast. Stå vid sidan av klingan och aldrig i dess linje. Vid ett bakåtkast kastas sågen bakåt men kraften i bakåtkastet kan kontrolleras av användaren genom att försiktighetsåtgärder vidtas.
 - Om klingan kläms eller av annan orsak hindras i skåret ska du släppa avtryckaren och hålla sågen stilla i skåret tills klingan har stannat. För att undvika bakåtkast ska du aldrig försöka ta bort sågen från arbetsstycket eller dra sågen bakåt medan klingan är i rörelse. Undersök och åtgärda orsaken till att klingan fastnar.
 - När sågen startas igen i arbetsstycket ska du centrera sågklingan i skåret och kontrollera att ingen sågtand är i ingrepp i materialet. Om sågklingan sitter fast i materialet kan sågen klättra upp eller medföra bakåtkast när sågen startas på nytt.
 - Stötta långa arbetsstycken för att minimera risken för att klingan nyper fast och ger bakåtkast. Långa arbetsstycken böjs av sin egen tyngd. Placera stöd på båda sidorna, både nära skärlinjen och vid kanten på arbetsstycket.
- För att minimera risken för att klingan kläms fast och ger bakåtkast när sågningen kräver att sågen vilar på

arbetsstycket ska sågen vila på den större delen och den mindre delen sägas av.

För att undvika bakåtkast ska arbetsstycket stödas vid skärlinjen. (Fig. 2)

Stöd inte arbetsstycket för långt bort från skärlinjen. (Fig. 3)

- Använd aldrig en slö eller skadad klinga. En oskarp eller felinställd klinga ger ett trångt sågskär som orsakar onödigt friktion och klingan kan lättare fastna och ge bakåtkast. Håll klingan vass och ren. Gummi- och trärester på klingan hindrar sågningen och ökar risken för bakåtkast. Ta bort klingan från sågen och gör rent den med ett borttagningsmedel för gummi- och trärester, varmt vatten och fotogen. Använd aldrig bensin.
 - Inställningarna för skärdjup och vinkel måste spärras innan du börjar såga. Om du ändrar inställningarna under sågningens gång kan klingan fastna och ge bakåtkast.
 - Var extra uppmärksam vid genomstickssägning in i en vägg eller andra dolda utrymmen. Den utskjutande klingan kan säga av föremål som förorsakar bakåtkast.
 - Håll ALLTID maskinen stadigt med båda händerna. Placera ALDRIG handen, benet eller någon annan kroppsdel under bottenplattan eller bakom sågen, i synnerhet vid tvärsågning. Vid eventuella bakåtkast kan sågen lätt kastas bakåt mot handen och orsaka allvarliga skador. (Fig. 4)
 - Tvinga inte sågen. En såg som tvingas ger ojämnt skär, är svårare att styra och ger risk för bakåtkast. Skjut sågen framåt med en sågningshastighet som låter klingan säga utan att tappa fart.
10. Kontrollera att skyddet är stängt före varje sågning. Använd inte sågen om skyddet kärvar och inte omedelbart omsluter klingan. Kila aldrig fast eller lås skyddet i ett läge där klingan är exponerad. Om du tappar sågen kan skyddet bli böjt. Kontrollera, för alla sågvinklar och alla skärdjup, att skyddet inte kärvar och vidrör klingan eller annan del.
 11. Kontrollera funktion och kondition hos returfjädern i skyddet. Om skyddet eller fjädern inte fungerar på avsett sätt måste sågen underhållas innan den används. Skyddet kan fungera ojämnt på grund av skadade delar, gummiavlagringar eller andra ansamlingar.
 12. Kontrollera att sågens styrplatta inte ändras under "genomsticket" när du har en annan klingvinkel än 90°. Om klingan förflyttar sig sidledes finns risk för att klingor nyper fast och kastas bakåt.
 13. Kontrollera alltid att skyddet täcker klingan innan du ställer ned sågen på ett arbetsbord eller golvet. En oskyddad klinga som roterar medför att sågen vandrar bakåt och säger i allt som kommer i dess väg. Tänk på att det tar en stund innan klingan stannar efter att du har släppt avtryckaren.
 14. Var extra försiktig vid sågning i fuktigt, tryckbehandlat och kvistigt trä. Justera

sågningshastigheten så att sågen rör sig framåt utan att klingan tappar fart.

15. Undvik att såga i spikar. Kontrollera arbetsstycket och ta bort alla spikar innan du börjar såga.
16. Placera större delen av bottenplattan på den del av arbetsstycket som har ett fast stöd och inte på den del som ska sågas bort. I fig. 5 visas RÄTT sätt att såga av kanten på en bräda och i fig. 6 visas FEL sätt. Kläm fast arbetsstycken som är små eller korta. **FÖRSÖK INTE ATT HÅLLA SMÅ ARBETSSTYCKEN I HANDE!**
17. Använd aldrig sågen upp-och-nedvänd i ett skruvstycke. Det är extremt farligt och kan leda till allvariga olyckor. (Fig. 7)
18. Vissa material kan innehålla giftiga kemikalier. Se till att du inte andas in damm eller får det på huden. Följ anvisningarna i leverantörens materialsäkerhetsblad.
19. Stoppa inte klingan genom att utsätta den för sidokrafter.
20. Använd alltid klingor som rekommenderas i denna bruksanvisning. Använd inte sliprondeller.
21. Använd alltid andningsmask och hörselskydd när du arbetar med maskinen.

SPARA DESSA ANVISNINGAR.

WARNING!

OVARSAM hantering eller underlåtenhet att följa säkerhetsanvisningarna i denna bruksanvisning kan leda till allvarliga personskador.

FUNKTIONSBESKRIVNING

FÖRSIKTIGT!

- Se alltid till att maskinen är avstängd och nätsladden urdragen innan du justerar eller funktionskontrollerar maskinen.

Justering av skärdjupet (Fig. 8)

FÖRSIKTIGT!

- Dra alltid åt låsskruven ordentligt efter inställningen av skärdjup.

Lossa låsskruven på djupanslaget och flytta det nedre klinggränsstoppet till rätt djup på skalan. Dra alltid åt låsskruven ordentligt efter inställningen av skärdjup.

Bästa sågresultat och säkraste sågning erhålls om skärdjupet ställs in så att endast en sågtand syns på arbetsstyckets undersida. Rätt inställning av skärdjupet bidrar till att minska risken för BAKÅTKAST som kan medföra allvarliga personskador.

OBS!

- Inställning av det nedre klinggränsstoppet på rätt djup på skalan ger en ungefärligt mått på skärdjupet. Mät det verkliga måttet som klingan sticker ut om en exakt djupinställning måste göras.

Snabbstoppsknapp för 2 - 3 mm skärdjup när löpskena (tillbehör) används (Fig. 9 och 10)

Maskinen är utrustad med en snabbstoppsknapp, placerad på växellådshuset intill bakre handtaget, för ett skärdjup på 2 - 3 mm när löpskena används. Använd denna funktion när du vill undvika att arbetsstycket splittras under sågningen. Gör en försågning med ett spår på 2 - 3 mm före den ordinarie sågningen.

Skärdjupet på 2 - 3 mm erhålls genom att du skjuter stoppknappen mot sågklingan. Detta är ett praktiskt sätt att förebygga att arbetsstycket splittras.

Dra tillbaka knappen för att ta bort djupinställningsstoppet.

Vinkelsågning (Fig. 11)

Vinkling åt höger (Fig. 12 och 13)

Vrid det fasta stoppet så att pilen på det pekar på en av de två positionerna (vertikalt för 22,5°, horisontellt för 45°). Lossa låsskruvarna på fram- och baksidan. Luta bottenplattan så långt det går och skruva sedan fast plattan med låsskruvarna.

Flytta spaken till 48°-markeringen för att erhålla en vinkel på 48°. Vrid det fasta stoppet så att pilen på det pekar på den horisontella positionen. Luta bottenplattan så långt det går och skruva sedan fast plattan med låsskruvarna.

Vinkling åt vänster (Fig. 14)

Maskinen kan lutas 1° grad åt vänster. För att ställa in lutningsvinkeln 1° åt vänster lossar du låsskruvarna på fram- och baksidan, lutar maskinens handtag något åt höger och skjuter samtidigt de båda inställningsspakarna för vinkelsågning i riktning mot pilen med markeringen -1. Och lutar sedan maskinens handtag åt vänster medan du samtidigt trycker på dessa två spakar. Lås fast bottenplattan med låsskruvarna.

OBS!

- Genom att ställa klingan i rätt vinkel återgår inställningsspaken för vinkelsågning automatiskt till 0°.

Siktskåra (Fig. 15)

Använda maskinen utan löpskena (tillbehör)

För rätvinkliga skär används position A framtill på bottenplattan för att rikta in skärinjen. För 45° vinkelsågning används position B.

Använda maskinen med löpskena (tillbehör)

Både vid rätvinkliga skär och 45° vinkelsågning ska position A i bottenplattans framkant alltid riktas in mot skärinjen.

Avtryckarens funktion (Fig. 16)

FÖRSIKTIGT!

- Innan du ansluter maskinen till elnätet ska du kontrollera att avtryckaren fungerar och återgår till läget "OFF" när du släpper den.

En startspärr förhindrar oavsiktlig aktivering av avtryckaren. Tryck in startspärren innan du trycker på avtryckaren för att starta maskinen.

Släpp avtryckaren för att stoppa den.

Ratt för justering av hastighet (Fig. 17)

Maskinens hastighet kan ställas in steglöst mellan 2 000 och 5 200 varv per minut genom att vrida på ratten för hastighetsinställning. Högre hastighet erhålls om ratten vrids i riktning mot siffran 6 och lägre hastighet mot siffran 1.

Se tabellen för att välja rätt hastighet för det arbetsstycke som ska sågas. Passande hastighet kan dock variera med arbetsstyckets tjocklek eller sort. Generellt sett kan du med en snabbare hastighet såga stycken snabbare, men livslängden för sågklingan minskar.

Sifфра	min ⁻¹
1	2 000
2	2 200
3	3 100
4	4 000
5	4 900
6	5 200

FÖRSIKTIGT!

- Ratten för hastighetsinställning kan endast vridas till 6 och tillbaka till 1. Tvinga den inte förbi 6 eller 1, eftersom det kan leda till att funktionen för hastighetsinställning inte längre fungerar.
- Hastighetsinställningen är inte avsedd för sågklingor av låghastighetstyp utan för att du ska kunna ställa in en lämplig hastighet för det material du ska såga i. Använd endast sågklingor avsedda för minst 5 200 min⁻¹.

Maskiner med elektronisk funktion är enkla att använda på grund av följande funktioner.

Överlastskydd

När maskinen överbelastas och strömmen överstiger en viss nivå stängs maskinen automatiskt av för att skydda motorn.

Konstant hastighetskontroll

Elektronisk hastighetskontroll för att erhålla en konstant hastighet. Detta alternativ ger dig möjlighet att få en fin finish eftersom den roterande hastigheten hålls konstant även vid hög belastning.

Mjukstartsfunktion

Mjukstart för att minimera startstöten.

MONTERING

FÖRSIKTIGT!

- Se alltid till att maskinen är avstängd och nätsladden urdragen innan arbete utförs på maskinen.

Förvaring av insexnyckeln (Fig. 18)

Insexnyckeln förvaras på maskinen. Dra helt enkelt ut insexnyckeln när den ska användas.

Sätt tillbaka den genom att trycka in den i sitt fäste.

Montera och ta bort sågklingan

FÖRSIKTIGT!

- Använd inte sågklingor som inte överensstämmer med de specifikationer som ges i denna bruksanvisning.

- Använd endast sågklingor avsedda för minst 5 200 min⁻¹.
- Montera klingan med sågtänderna uppåt i maskinens framkant.
- Använd endast medföljande insexnyckel från Makita för att montera eller ta bort sågklingan.

När du ska ta bort klingan trycker du in startspärren för att låsa upp det övre klinggränsstoppet. (Fig. 19)

Vrid låsspaken för att låsa såghuvudet innan du byter klinga. (Fig. 20)

Sänk ned handtaget, medan startspärren är intryckt och låsspaken vriden, och passa in låspinnen i spåret mellan låsspaken och djupskalan. Se till att låspinnen sitter rätt i spåret.

Tryck in spindellåset helt så att sågklingan inte kan rotera och lossa sexkantbulten moturs med insexnyckeln. Ta sedan bort insexbulten, ytterflänsen och klingan. (Fig. 21)

Montera klingan i omvänd ordning. SE TILL ATT DRA ÅT INSEXBULTEN MEDURS ORDENTLIGT. (Fig. 22)

Ansluta dammsugare (Fig. 23)

Anslut en dammsugare från Makita när du vill ha rent under sågningen. Anslut dammsugarsslangen till dammutblåset enligt bilden.

ANVÄNDNING

Sektionssågning (normal sågning) (Fig. 24)

FÖRSIKTIGT!

- Se till att maskinen förs mjukt längs en rät linje. Om du tvingar eller vrider sågen överhettas motorn och det finns risk för kraftiga bakåtkast som kan medföra allvarliga skador.
- Se till att inte ha någon del av kroppen under bottenplattan vid sektionssågning, i synnerhet vid start. I annat fall finns risk för allvarliga personskador. Klingan är exponerad under bottenplattan.

Håll maskinen stadigt. Maskinen är försedd med handtag både fram och bak. Använd båda handtagen för att hålla maskinen stadigt. Om du håller med båda händerna i sågen kan de inte skadas av klingan. Ställ ned bottenplattans framkant på arbetsstycket utan att klingan kommer i kontakt. Tryck in startspärren, starta maskinen och vänta tills klingan uppnått full hastighet. Tryck långsamt ned såghuvudet till det förinställda djupet och för sedan sågen framåt över arbetsstyckets yta. Håll sågen plant och för den mjukt framåt tills sågningen är klar.

Såga på en rät linje och med jämn hastighet för bästa sågresultat. Försök inte att vrida eller tvinga maskinen tillbaka i skärinjen om den avsedda skärinjen inte kan följas. I så fall kan klingan fastna och farliga bakåtkast inträffa med risk för allvarliga skador som följd. Släpp avtryckaren, vänta tills klingan har stannat och ta sedan bort maskinen. Rikta in maskinen längs en ny skärinje och starta sågningen på nytt. Undvik att stå så att du utsätts för spån och damm som kastas ut från sågen. Använd skyddsglasögon för att undvika skador.

Använda maskinen med löpskena (tillbehör) (Fig. 25 och 26)

Placera sågen i löpskenans bakkant. Vrid de två inställningsskruvarna på bottenplattan så att sågen glider mjukt utan skrammel. Håll maskinen stadigt. Maskinen är försedd med handtag både fram och bak. Använd båda handtagen för att hålla maskinen stadigt. Starta maskinen, tryck ned den till det förinställda skärdjupet och såga hela skåret längs splitterskyddet i ett moment. Kanten på splitterskyddet motsvarar skärinjen. Vid vinkelsågning med löpskena skjuter du fast spaken på bottenplattan för att maskinen inte ska falla åt sidan. Skjut spaken på bottenplattan i pilens riktning så att den fastnar i löpskenans spår.

Parallellanslag (styrinjal, tillbehör) (Fig. 27)

Ett praktiskt parallellanslag hjälper dig att få raka skär. Placera parallellanslaget dikt an mot arbetsstyckets sida och lås fast det med skruvarna i bottenplattans fram- och bakkant. Parallellanslaget kan också användas när du vill såga flera arbetsstycken med samma bredd.

Vänd parallellanslaget (styrinjalen) för att få ett extra stöd för maskinen.

Genomstickssågning (utskärning) (Fig. 28)

WARNING!

- Följ nedanstående anvisningar för att undvika bakåtkast.

Använda maskinen utan löpskena

Placera maskinen på arbetsstycket med bottenplattans bakkant mot ett fast stopp eller motsvarande användarmonterat stödstopp.

Använda maskinen med löpskena

Placera maskinen på löpskenan med bottenplattans bakkant mot ett fast stopp eller motsvarande som är festsatt på löpskenan.

Håll maskinen i ett fast grepp med ena handen på främre handtaget och den andra på maskinhandtaget. Tryck in startspärren, starta maskinen och vänta tills klingan uppnått full hastighet. Tryck långsamt ned såghuvudet till det förinställda skärdjupet och för sedan maskinen framåt till positionen för genomsticket.

OBS!

- Markeringarna på sidan av klingskyddet visar det absoluta främre och absoluta bakre läget för klingan (A för diameter 160 mm och B för diameter 165 mm) vid maximalt skärdjup med löpskena. (Fig. 29)

Styrverktyg (tillbehör)

Geringsverktyg (tillbehör) används för exakta sågvinklar och finsnickerier.

Använd tvingar (tillbehör) för att säkerställa att arbetsstycket sitter ordentligt fast på bordet.

UNDERHÅLL

FÖRSIKTIG!

- Se alltid till att maskinen är avstängd och nätsladden utdragen innan inspektion eller underhåll utförs.

Inställning av 90° och 45° vinkel (vertikalsågning respektive 45°-sågning) (Fig. 30 och 31)

Dessa inställningar är fabriksinställningar. Om inställningarna har ändrats justerar du inställningsskruven med insexnyckeln samtidigt som vinkeln 90° eller 45° kontrolleras med t ex en vinkelhake.

OBS!

- Fininställning av noggrannheten vid sågvinklarna 22,5°, 48° och -1° kan inte göras.

Byte av kolborstar (Fig. 32 och 33)

Ta bort och kontrollera kolborstarna regelbundet.

Byt dem när de är nedslitna till slitagemarkeringen. Håll kolborstarna rena så att de lätt kan glida in i hållarna. Båda kolborstarna ska bytas ut samtidigt. Använd endast identiska kolborstar.

Använd en skruvmejsel för att ta bort locken till kolborstarna.

Ta ur de utslitna kolborstarna, montera nya och sätt fast locken igen.

För att upprätthålla produktens SÄKERHET och TILLFÖRLITLIGHET bör allt underhålls- och justeringsarbete utföras av ett auktoriserat Makita servicecenter och med reservdelar från Makita.

TILLBEHÖR

FÖRSIKTIG!

- Följande tillbehör och tillsatser rekommenderas för användning tillsammans med den Makita-maskin som denna bruksanvisning avser. Om andra tillbehör eller tillsatser används kan det uppstå risk för personsador. Använd endast tillbehören eller tillsatserna för de syften de är avsedda.

Kontakta ditt lokala Makita servicecenter om du behöver ytterligare information om dessa tillbehör.

- Sägklingor
- Parallellanslag
- Parallellanslag (styrinjal)
- Geringsanslag
- Tving
- Insexnyckel
- Listset för löpskena
- Gummilistset för löpskena
- Måttlistset för löpskena

Oversiktsforklaring

- | | | |
|--|------------------------------|-------------------------------------|
| 1. Klemskrue | 11. AV-sperreknapp | 23. Justeringsskruer |
| 2. Nedre bladstopper | 12. Startbryter | 24. Skyvehendel |
| 3. Hurtigstopknapp | 13. Turtallsinnstillingshjul | 25. Parallellanlegg (føringslinjal) |
| 4. Klemskruer | 14. Sekskantnøkkel | 26. Bakkant av maskinfot |
| 5. Maskinfot | 15. Låsehendel | 27. Fast kant |
| 6. Positiv stopper | 16. Spindellås | 28. Justeringsskrue for 90° |
| 7. Hendel | 17. Sekskantskrue | 29. Justeringsskrue for 45° |
| 8. Justeringshendel for gjæringsvinkel i vertikalplanet (skråskjæring) | 18. Ytre flens | 30. Utskiftingsmerke |
| 9. Fot | 19. Sagblad | 31. Skrutrekker |
| 10. Skjærelinje | 20. Indre flens | 32. Børsteholderhette |
| | 21. Støvsuger | |
| | 22. Støvutløp | |

TEKNISKE DATA

Modell		SP6000
Bladdiameter		165 mm
Maks. skjæredybde	ved 90°	56 mm
	ved 45°	40 mm
	ved 48°	38 mm
Tomgangshastighet (min ⁻¹)		2 000 - 5 200
Total lengde		341 mm
Nettovekt		4,1 kg
Sikkerhetsklasse		II/III

- Som følge av vårt kontinuerlige forsknings- og utviklingsprogram kan de tekniske dataene endres uten ytterligere forvarsel.
- Merk: Tekniske data kan variere fra land til land.

Symboler

END201-2

Nedenfor ser du symbolene som brukes for dette utstyret. Forviss deg om at du forstår hva de betyr, før du begynner å bruke maskinen.



..... Les bruksanvisningen.



..... DOBBELT VERNEISOLERT

Riktig bruk

ENE067-1

Maskinen er spesielt beregnet på innstikksaging.

I tillegg kan den brukes til langsgående og tverrgående rette snitt og gjæringsaging med vinkler i tre, med sagen i fast kontakt med arbeidsemnet.

Strømforsyning

ENF002-1

Maskinen må bare kobles til en strømkilde med samme spenning som vist på typeskiltet, og kan bare brukes med enfas-vekselstrømforsyning. Det er dobbelt verneisolert i samsvar med europeiske standarder, og kan derfor også brukes i kontakter uten jordledning.

SPESIFIKKE
SIKKERHETSREGLER

GEB031-1

IKKE LA hensynet til hva som er "behagelig" eller det faktum at du kjenner produktet godt (etter mange gangers bruk) gjøre deg mindre oppmerksom på sikkerhetsreglene for bruken av sirkelsagen. Hvis du bruker dette verktøyet på en farlig eller ukorrekt måte, kan du bli alvorlig skadet.

Fare:

- 1. Hold hendene unna kappeområdet og bladet. Hold den andre hånden på hjelpehåndtaket eller på motorhuset.** Hvis du holder sagen med begge hendene, risikerer du ikke at de blir skåret av bladet.
- 2. Ikke strekk hånden inn under arbeidsemnet eller maskinfoten.** Bladvernet kan ikke beskytte deg mot bladet under arbeidsemnet. Ikke forsøk å fjerne kapp mens bladet er i bevegelse.
FORSIKTIG: Bladene roterer fritt etter at maskinen er slått av. Vent til bladet stopper før du griper det materialet som er kappet.
- 3. Juster skjæredybden til tykkelsen av arbeidsemnet.** Mindre enn en hel sagtann skal være synlig nedenfor arbeidsemnet.
- 4. Du må aldri holde arbeidsemnet med hendene eller la det ligge tvers over bena dine. Fest arbeidsemnet til et stabilt underlag.** Det er viktig å

støtte arbeidsemnet ordentlig for å gjøre risikoen minst mulig for å få skader, for at bladet skal sette seg fast, eller for at du skal miste kontrollen.

En typisk illustrasjon av riktig håndstøtte, arbeidsstykke støtte og legging av strømkabel (hvis relevant). (fig. 1)

5. **Hold elektroverktøyet i de isolerte håndtakene når du utfører en operasjon der bladet kan komme i kontakt med skjulte ledninger eller ledningen til maskinen selv.** Kontakt med en strømførende ledning vil også gjøre uisolerte deler av maskinen strømførende og gi operatøren elektrisk støt.
6. **Ved kløving må du alltid bruke et parallellanlegg eller en føring med rett kant.** Dette forbeholder nøyaktigheten av kuttet og reduserer risikoen for at bladet skal sette seg fast.
7. **Det må alltid brukes blader med riktig størrelse og form (diamant eller rund) på akselhullet.** Blader som ikke passer til monteringsmekanismen på saken vil rotere med kast, og bli umulige å kontrollere.
8. **Bruk aldri ødelagte eller feilaktige skiver eller skruer til bladet.** Både skivene og skruene til bladet ble utviklet spesielt for din sag, for å gi optimal ytelse og maksimal driftssikkerhet.
9. **Årsaker til tilbakeslag og hvordan operatøren kan forhindre dette:**

- Tilbakeslag er en plutselig reaksjon på et klemt, fastsittende eller feiljustert sagblad, som kan føre til at en sag som ikke holdes godt fast blir løftet opp og ut av arbeidsemnet, og mot operatøren.
- Når bladet kommer i klem eller setter seg fast ved at snittet lukker seg, stopper bladet, og motoren driver enheten hurtig tilbake mot operatøren.
- Hvis bladet blir vridd eller feiljustert i snittet, vil tennene i bakkant av bladet grave seg inn i treoverflaten, slik at bladet arbeider seg ut av snittet og spretter tilbake mot operatøren.

Tilbakeslag er et resultat av feil bruk av saken og/eller feilaktige arbeidsprosedyrer eller arbeidsforhold, og kan unngås hvis man tar de rette forholdsregler (se nedenfor).

- **Hold saken i et fast grep med begge hender, og hold armene dine slik at de kan motstå kraften fra saken i tilfelle den slår tilbake mot deg. Pass på at du har kroppen på den ene eller andre siden av bladet, men ikke på linje med bladet.** Tilbakeslag kan få saken til å hoppe bakover, men kreftene i tilbakeslaget kan kontrolleres av operatøren, hvis vedkommende tar sine forholdsregler.
- **Når bladet setter seg fast, eller når du av en eller annen grunn vil avbryte sagingen, må du slippe startbryteren og holde saken stille i materialet inntil bladet har stoppet helt. Du må aldri forsøke å fjerne saken fra arbeidsemnet eller å trekke den bakover mens bladet er i bevegelse, da dette kan få saken til å slå tilbake mot deg.** Undersøk hvorfor bladet setter seg fast og sett i verk avhjelpende tiltak.
- **Når du starter saken i arbeidsemnet igjen, må du sentrere sagbladet i snittet og kontrollere**

at sagtennene ikke sitter i materialet. Hvis sagbladet sitter fast, kan det komme opp eller føre til at saken slår tilbake mot deg når den startes igjen.

- **Støtt opp større plater for å redusere risikoen så mye som mulig for at bladet kommer i beknip, og for tilbakeslag.** Større plater har en tendens til å bøye seg under sin egen vekt. Støttene må plasseres under platen på begge sider, nær kappelinjen og nær kantene av platen.

Å redusere risikoen så mye som mulig for at bladet kommer i beknip, og for tilbakeslag. Når en arbeidsoperasjon krever at saken hviler på arbeidsemnet, bør saken settes på den største delen av arbeidsemnet, og den minste delen skjæres av.

For å unngå at maskinen slår tilbake mot deg, må du ikke støtte opp bordet eller platen helt inntil snittet. (fig. 2)

Ikke støtt opp bordet eller platen langt unna snittet. (fig. 3)

- **Ikke bruk sløve eller ødelagte blader.** Uskarpe eller feilaktig innstilte blader gir trangt snitt, noe som forårsaker kraftig friksjon, får bladet til å sette seg fast og resulterer i at saken slår tilbake mot operatøren. Hold bladet skarpt og rent. Harpiks og bek som størkner på bladene reduserer turtallet på saken og øker risikoen for tilbakeslag. Hold bladet rent ved først å ta det av verktøyet og deretter gjøre det rent med en harpiks- og bekfjerner, varmt vann eller parafin. Du må aldri bruke bensin.
- **Bladdybden og låsehendene for avfasingsjusteringen må være strammet og festet før snittet gjøres.** Hvis justeringen av bladet endrer seg under sagingen, kan bladet sette seg fast, noe som kan få maskinen til å slå tilbake mot operatøren.
- **Vær ekstra forsiktig når du foretar et innstikk i eksisterende vegger eller andre områder uten innsyn.** Det fremstikkende bladet kan treffe gjenstander som kan forårsake tilbakeslag.
- **Verktøyet MÅ ALLTID holdes fast med begge hender. Plasser ALDRIG hånden, benet eller noen annen kroppsdel under maskinfoten eller bak saken, særlig når du sager på tvers.** Hvis det skjer et tilbakeslag, kan saken lett komme til å hoppe bakover over hånden din og forårsake alvorlige helseskader. (fig. 4)
- **Bruk aldri makt på saken. Hvis du bruker makt på saken, kan det gi ujevne snitt, dårligere nøyaktighet og muligheter for tilbakeslag.** Skyv saken fremover med en slik hastighet at bladet skjærer uten å miste fart.

10. **Kontroller at vernet er ordentlig lukket før bruk. Ikke begynn å bruke saken hvis vernet ikke beveger seg fritt og lukker seg om bladet momentant. Vernet må aldri klemmes fast eller bindes opp med bladet eksponert.** Hvis sagen ved et ulykkestilfelle skulle falle ned, kan vernet bli bøyd. Kontroller at vernet beveger seg uhindret og ikke beveger bladet eller noen annen del, i alle snittvinkler og -dybder.

11. **Kontroller at returfjæren til vernet er i god stand og virker som den skal. Hvis vernet og fjæren ikke fungerer som de skal, må de etterses før bruk.**

Vernet kan gå tregt pga. ødelagte deler, gummiavleiringer eller opphopning av spon.

12. **Forviss deg om at føringsskinnen til sagen ikke kommer til å flytte seg når du sager et innstikk mens bladet er stilt inn på en annen vertikal vinkel enn 90°.** Hvis bladet beveger seg sideveis, kan det bli sittende fast, med stor sannsynlighet for at det slår tilbake mot brukeren (såkalt kickback).
13. **Se alltid etter at vernet dekker bladet før du setter sagen på arbeidsbenken eller gulvet.** Et ubeskyttet, roterende blad vil få maskinen til å bevege seg bakover mens bladet kapper alt som kommer i dets vei. Vær oppmerksom på at bladet trenger en viss tid for å stoppe etter at bryteren er sluppet.
14. **Vær spesielt forsiktig når du sager fuktig tre, trykkbehandlet tømmer eller tre med kvist.** Juster skjærehastigheten slik at verktøyet beveger seg jevnt fremover uten at bladhastigheten reduseres.
15. **Unngå å sage i spikre. Se etter og fjern alle spikere fra arbeidsemnet før arbeidet påbegynnes.**
16. **Sett den bredeste delen av sagfoten på den delen av arbeidsemnet som er godt støttet opp, ikke på den delen som kommer til å falle av når snittet er fullført. Fig. 5 viser den RIKTIGE måten å kappe enden av et bord på, og fig. 6 den GALE måten. Hvis arbeidsemnet er kort eller lite, må det klemmes fast. IKKE FORSØK Å HOLDE KORTE STYKKER I HÅNDEN!**
17. **Forsøk aldri å sage mens sirkelsagen holdes opp ned i en skrustikke. Dette er ekstremt farlig og kan forårsake alvorlige ulykker. (fig. 7)**
18. **Enkelte materialer inneholder kjemikalier som kan være giftige. Treff tiltak for å hindre hudkontakt og innånding av støv. Følg leverandørens sikkerhetsanvisninger.**
19. **Ikke stopp bladene ved å presse sideveis på sagbladet.**
20. **Bruk alltid blader anbefalt i denne håndboken. Ikke bruk slipeskiver.**
21. **Bruk en støvmaske og hørselvern når du bruker verktøyet.**

TA VARE PÅ DISSE ANVISNINGENE.

ADVARSEL:

MISBRUK av verktøyet eller mislighold av sikkerhetsreglene i denne brukerhåndboken kan resultere i alvorlige helseskader.

FUNKSJONSBEKRIVELSE

FORSIKTIG:

- Forviss deg alltid om at maskinen er slått av og støpselet trukket ut av kontakten før du justerer maskinen eller kontrollerer dens mekaniske funksjoner.

Justere skjæredybden (fig. 8)

FORSIKTIG:

- Når du har justert skjæredybden, må du alltid stramme klemskruen godt.

Løsne klemskruen på dybdeanlegget og beveg nedre bladstopper til den ønskede dybden på skalaplaten. Stram klemskruen godt ved ønsket skjæredybde.

For at kuttene skal bli renere og sikrere må du stille inn skjæredybden slik at ikke mer enn én sagtann stikker ut under arbeidsemnet. Hvis skjæredybden er riktig, reduseres risikoen for farlige TILBAKESLAG som kan forårsake helseskader.

MERK:

- Ved å stille inn nedre bladstopper til ønsket dybde på skalaplaten får du en omtrentlig skjæredybde. For å få en nøyaktig skjæredybde, må du måle hvor langt sagbladet faktisk stikker ut nedenfor maskinfoten.

Hurtigstoppknapp for 2 til 3 mm skjæredybde ved bruk av føringsskinne (tilbehør) (fig. 9 og 10)

Denne maskinen har hurtigstoppknappen for 2 til 3 mm skjæredybde på girhuset, ved siden av det bakre håndtaket når føringsskinnen er i bruk. Denne brukes når du vil unngå fliser på arbeidsemnet i snittet. Gjør først et snitt med 2 til 3 mm dybde, og sag deretter med normal dybde i det samme snittet.

For å oppnå en skjæredybde på 2 til 3 mm, må du skyve inn stoppknappen mot sagbladet. Dette er praktisk for å unngå å flise opp arbeidsemnet.

For å kunne sage med fritt valg av skjæredybde, trenger du bare trekke knappen tilbake.

Skråskjæring (fig. 11)

Helling til høyre (fig. 12 og 13)

Drei den positive stopperen så pilen på den peker mot en av to posisjoner (vertikalt for 22,5°, horisontalt for 45°). Løsne klemskruene foran og bak. Vipp deretter maskinfoten til den stopper, og sikre foten med klemskruene.

For å oppnå 48° skråskjæringsvinkel må du flytte hendelen til 48°-markeringen, så langt den går. Drei den positive stopperen til pilen på den peker mot den horisontale posisjonen. Vipp deretter maskinfoten til den stopper, og sikre foten med klemskruene.

Helling til venstre (fig. 14)

Maskinen kan vippes mot venstre 1° skråskjæringsvinkel. For å oppnå en skråskjæringsvinkel på 1°, må du løsne klemskruene foran og bak, vippe maskinhåndtaket litt mot høyre og skyve to hendler for endring av skråskjæringsvinkelen samtidig i retning av pilen med markeringen -1. Og vipp så maskinhåndtaket mot venstre samtidig som du skyver på disse to hendlene. Sikre foten med klemskruene.

MERK:

- Hvis du setter bladet tilbake i høyre vinkel, går hendelen for vinkelendring tilbake til 0° av seg selv.

Sikting (fig. 15)

Bruke maskinen uten føringssskinne (tilbehør)

Ved skjæring av rette linjer må A-merket foran på foten samstemmes med skjærelinjen på arbeidsemnet. For 45° skråskjæring samstemmes B-merket med skjærelinjen.

Bruke maskinen med føringssskinne (tilbehør)

Både ved skjæring av rette linjer og 45° skråskjæring må A-merket foran på foten alltid plasseres overrett med skjærelinjen på arbeidsemnet.

Bryterfunksjon (fig. 16)

FORSIKTIG:

- Før du kobler maskinen til strømmettet, må du alltid kontrollere at startbryteren aktiverer maskinen på riktig måte og går tilbake til "AV"-stilling når den slippes.

For å unngå at startbryteren trykkes inn ved en feiltakelse, er maskinen utstyrt med en AV-sperreknapp. For å starte maskinen må du trykke inn AV-sperreknappen og trykke på startbryteren.

Slipp startbryteren for å stoppe maskinen.

Turtallsinnstillingshjul (fig. 17)

Maskinturtallet kan justeres trinnløst mellom 2 000 og 5 200 omdreininger i minuttet, ved hjelp av innstillingshjulet. Hastigheten øker når innstillingshjulet dreies i retning av nummer 6, og synker når hjulet dreies i retning av nummer 1.

Bruk tabellen for å finne riktig turtall for det emnet som skal kuttes. Hva som er riktig turtall kan imidlertid variere med tykkelsen på emnet. Generelt kan det sies at høyere turtall gjør det mulig å kutte emnet raskere, men bladets levetid vil reduseres.

Nummer	min ⁻¹
1	2 000
2	2 200
3	3 100
4	4 000
5	4 900
6	5 200

FORSIKTIG:

- Turtallsinnstillingshjulet kan kun dreies til 6 og så tilbake til 1. Ikke prøv å dreie det forbi 6 eller 1, ellers kan det hende at turtallsinnstillingen slutter å virke.
- Turtallsinnstillingshjulets funksjon er ikke å muliggjøre bruk av sagblad for lave turtall, men å oppnå hastigheter som passer til materialet i arbeidsemnet. Det må kun brukes sagblad som er beregnet på minst 5 200 min⁻¹.

Verktøy som er utstyrt med elektroniske funksjoner er enkle å bruke på grunn av følgende egenskaper.

Overlastvern

Når maskinen er overbelastet og strømstyrken overstiger et visst nivå, stopper maskinen automatisk for å beskytte motoren.

Konstant turtallskontroll

Elektronisk turtallskontroll for å oppnå konstant turtall. Muliggjør fin overflate, fordi rotasjonshastigheten holdes konstant, selv under belastning.

Mykstartfunksjon

Myk start, fordi startrykket undertrykkes.

MONTERING

FORSIKTIG:

- Forviss deg alltid om at maskinen er slått av og støpselet trukket ut av kontakten før du utfører noe arbeid på maskinen.

Oppbevaring av sekskantnøkkelen (fig. 18)

Sekskantnøkkelen oppbevares på maskinen. For å ta av sekskantnøkkelen må du trekke den ut.

For å sette sekskantnøkkelen inn igjen må du legge den på håndtaket og stikke den inn så langt den vil gå.

Ta av eller monter sagbladet

FORSIKTIG:

- Ikke bruk sagblad som ikke samsvarer med de tekniske spesifikasjonene i disse instruksjonene.
- Det må kun brukes sagblad som er beregnet på minst 5.200 min⁻¹.
- Sørg for at bladet monteres med tennene pekende opp ved forsidene av verktøyet.
- Bruk bare Makita-nøkkelen til å montere eller fjerne bladet.

For å ta av bladet må du trykke inn AV-sperreknappen for å låse opp den øvre stopperen. (fig. 19)

Drei låsehendelen for å låse saghodet når du skal bytte blad. (fig. 20)

Når AV-sperreknappen er trykket og låsehendelen er dreid, må du senke håndtaket, så låsepinnen passer i sporet som er dannet av låsehendelen og dybdeføringen med skalaplatten. Pass på at låsepinnen passer i sporet.

Trykk spindellåsen helt inn, så bladet ikke kan rotere, og bruk nøkkelen til å løsne sekskantskruen mot klokken. Fjern så sekskantskruen, den ytre flensen og bladet.

(fig. 21)

Monter bladet ved å følge fremgangsmåten for demontering i motsatt rekkefølge. PASS PÅ Å STRAMME SEKSKANTSKRUEEN GODT MED KLOKKEN. (fig. 22)

Koble til en støvsuger (fig. 23)

Hvis du vil sage så rent som mulig, kan du koble en Makita-støvsuger til verktøyet ditt. Koble støvsugerslangen til støvutløpet som vist på figuren.

BRUK

Seksjonsskjæring (vanlig saging) (fig. 24)

FORSIKTIG:

- Sørg for å bevege verktøyet pent fremover i en rett linje. Hvis du bruker makt på eller bender på verktøyet, vil motoren bli overopphetet og maskinen slå tilbake

mot operatøren, noe som er farlig og kan gi alvorlige helseskader.

- Du må aldri bevege noen kroppsdel under maskinfoten under vanlig saging, særlig i begynnelsen. Dette kan medføre alvorlige helseskader. Bladet er eksponert under maskinfoten.

Hold maskinen godt fast. Verktøyet leveres både med fremre og bakre håndtak. Bruk begge for å få best mulig tak på verktøyet. Hvis du holder sagen med begge hendene, risikerer du ikke at de blir skåret av bladet. Sett fronten av maskinfoten på det arbeidsemnet som skal kappes, uten at bladet kommer borti arbeidsemnet. Trykk deretter inn AV-sperreknappen og slå på maskinen, og vent til bladet oppnår full hastighet. Trykk så motordelen sakte ned til den forhåndsinnstilte skjæredybden og beveg ganske enkelt maskinen forover over overflaten av arbeidsemnet, mens du holder den flatt og beveger den jevnt, inntil sagingen er fullført.

For å få rene kutt må du sage i rett linje og med jevn hastighet. Hvis kuttet ikke følger skjærelinjen din helt som du ville, må du ikke forsøke å dreie eller tvinge verktøyet tilbake til skjærelinjen. Hvis du gjør det, kan bladet sette seg fast og gi farlig tilbakeslag og risiko for alvorlige helseskader. Slipp bryteren, vent til bladet stopper og trekk ut verktøyet. Still inn verktøyet på en ny skjærelinje og begynn sagingen på nytt. Forsøk å unngå en plassering som utsetter operatøren for en sprut av flis og sagmugg fra sagen. Bruk øyevern for å redusere risikoen for skader.

Ved bruk av føringsskinne (tilbehør) (fig. 25 og 26)

Plasser maskinen på den bakre enden av føringsskinnen. Drei to justeringsskruer på maskinfoten så maskinen blir jevnt uten å skrangle. Hold maskinen godt fast. Verktøyet leveres både med fremre og bakre håndtak. Bruk begge for å få best mulig tak på verktøyet. Slå på maskinen, trykk den ned til den forhåndsinnstilte skjæredybden og skjær flisvernet langs hele lengden med én bevegelse. Kanten av flisvernet svarer til skjærekanten.

Ved skråskjæring med føringsskinnen må du skyve skyvehendelen på maskinfoten, så maskinen ikke velter til siden.

Flytt skyvehendelen på maskinfoten i retning av pilen, så den går i inngrep med undersnittsporet i føringsskinnen.

Parallellanlegg (føringsskinne) (tilbehør) (fig. 27)

Det praktiske parallellanlegget gjør det mulig å foreta ekstra nøyaktige rette kutt. Skyv ganske enkelt parallellanlegget tett opp til siden av arbeidsemnet og fest det med skruene foran og bak på foten. Med parallellanlegget kan du dessuten skjære gjentatte ganger med samme bredde.

Hvis du snur parallellanlegget (føringsskinne), kan det også fungere som underfot for maskinen.

Innstikksaging (utskjæring) (fig. 28)

ADVARSEL:

- For å unngå at bladet slår tilbake mot operatøren, må følgende instruksjoner følges.

Når maskinen brukes uten føringsskinne

Sett maskinen på arbeidsemnet med bakre kant av maskinfoten mot en fast kant eller tilsvarende som er laget av en operatør.

Når maskinen brukes med føringsskinne

Sett maskinen på føringsskinnen med bakre kant av maskinfoten mot en fast kant eller tilsvarende som er klemt fast på føringsskinnen.

Hold maskinen fast med en hånd på fronthåndtaket og den andre på maskinhåndtaket. Trykk deretter inn AV-sperreknappen og slå på maskinen, og vent til bladet oppnår full hastighet. Trykk så motordelen sakte ned til den forhåndsinnstilte skjæredybden og beveg ganske enkelt maskinen forover til den ønskede posisjonen for innstikksaging.

MERK:

- Markeringene på siden av bladvernet viser sagbladets absolutte fremre og bakre skjærepunkter (A for diameter 160 mm og B for diameter 165 mm) ved maksimal skjæredybde og ved bruk av føringsskinne. (fig. 29)

Føringsskinne (tilbehør)

Bruk av gjæringsmåler (tilbehør) gjør det mulig å foreta nøyaktige gjæringsnitt med vinkler og passende arbeider.

Bruk av klemme (tilbehør) sikrer at arbeidsemnet holdes godt fast mot bordet.

VEDLIKEHOLD

FORSIKTIG:

- Forviss deg alltid om at maskinen er slått av og støpselet trukket ut av kontakten før du foretar inspeksjon eller vedlikehold.

Justere nøyaktigheten av 90° og 45° saging (vertikal og 45° saging) (fig. 30 og 31)

Denne justeringen er gjort på fabrikken. Men skulle den bli unøyaktig, justeres justeringsskruene med en sekskantnøkkel mens du bruker en trekantlinjal eller et vinkeljern til å kontrollere at bladet står i 90° eller 45° vinkel på foten.

MERK:

- Det er ikke mulig å justere nøyaktigheten av snitt med vinkler på 22,5°, 48° og -1°.

Skifte kullbørster (fig. 32 og 33)

Ta ut og kontrollér kullbørstene med jevne mellomrom. Skift dem når de er slitt ned til utskiftingsmerket. Hold kullbørstene rene og fri til å bevege seg i holderne. Begge kullbørstene må skiftes samtidig. Bruk bare identiske kullbørster.

Bruk en skrutrekker til å fjerne børsteholderhettene.

Ta ut de slitte kullbørstene, sett i nye, og fest børsteholderhettene.

For å opprettholde produktets SIKKERHET og PALITELIGHET, må reparasjoner, vedlikehold og justeringer utføres av Makitas autoriserte servicesentre, og det må alltid brukes reservedeler fra Makita.

TILBEHØR

FORSIKTIG:

- Det anbefales at du bruker dette tilbehøret eller verktøyet sammen med den Makita-maskinen som er spesifisert i denne håndboken. Bruk av annet tilbehør eller verktøy kan forårsake helseskader. Tilbehør og verktøy må kun brukes til det formålet det er beregnet på.

Ta kontakt med ditt lokale Makita-servicesenter hvis du trenger mer informasjon om dette tilbehøret.

- Sagblad
- Føringssskinne
- Parallellanlegg (føringslinjal)
- Gjæringsmåler
- Klemme
- Sekskantnøkkel
- Platesett for føringssskinne
- Gummiplatesett for føringssskinne
- Plasser platesett for føringssskinne

Yleiskuvas

- | | | |
|---------------------------------|------------------------|---------------------------------|
| 1. Kiristysruuvi | 12. Liipaisinkytkin | 23. Säätöruuvit |
| 2. Terän alemman rajan rajoitin | 13. Nopeudensäätöpyörä | 24. Liukuvipu |
| 3. Pikarajoitin | 14. Kuusioavain | 25. Halkaisuohjain (sivuohjain) |
| 4. Kiristysruuvit | 15. Lukitusvipu | 26. Laitteen jalustan takareuna |
| 5. Telineen pohja | 16. Karalukko | 27. Kiinteä rajoitin |
| 6. Pysäytin | 17. Kuusioruuvi | 28. 90° säätöruuvi |
| 7. Vipu | 18. Ulkolaippa | 29. 45° säätöruuvi |
| 8. Viistekulman säätövipu | 19. Leikkuuterä | 30. Rajamerkki |
| 9. Alusta | 20. Sisälaippa | 31. Ruuvitalta |
| 10. Leikkuulinja | 21. Pölynimuri | 32. Hiiliharjan pidikkeen kupu |
| 11. Lukituksen vapautuspainike | 22. Pölyaukko | |

TEKNISEK TIEDOT

Malli		SP6000
Terän halkaisija		165 mm
Maksimi leikkuusyvyys	90° kulmassa	56 mm
	45° kulmassa	40 mm
	48° kulmassa	38 mm
Joutokäyntinopeus (min ⁻¹)		2 000 - 5 200
Kokonaispituus		341 mm
Nettopaino		4,1 kg
Turvallisuusluokka		II/II

- Jatkuvan tutkimus- ja kehitysohjelman vuoksi pidätämme oikeuden muuttaa tässä mainittuja teknisiä ominaisuuksia ilman ennakoitua.
- Huomautus: Tekniset ominaisuudet saattavat vaihdella maittain.

Merkkien selitykset

END201-2

Laitteessa on käytetty seuraavia symboleja. Varmista ennen käyttöä, että ymmärrät niiden merkityksen.



..... Lue käyttöohje.



..... KAKSINKERTAINEN ERISTYS

Käyttötarkoitus

ENE067-1

Työkalu on suunniteltu erityisesti upotussahaukseen.

Lisäksi saha soveltuu puun pitkittäis-, poikittäis- ja jiirisahaukseen siten, että saha on koko ajan väliittömässä kosketuksessa työkappaleeseen.

Virtälähde

ENF002-1

Laitteen saa kytkeä vain sellaiseen virtalähteeseen, jonka jännite on sama kuin arvokilvessä ilmoitettu, ja sitä saa käyttää ainoastaan yksivaiheisella vaihtovirralla. Laitte on kaksinkertaisesti suojaeristetty eurooppalaisten standardien mukaisesti, ja se voidaan siten kytkeä myös maadoittamattomaan pistorasiaan.

LISÄTURVAOHJEITA

GEB031-1

ÄLÄ anna tuotteen helppokäyttöisyyden tai toistuvan käytön tuudittaa sinua väärään turvallisuuden tunteeseen niin, että laiminlyöt sahausohjeiden noudattamisen. Jos tätä työkalua käytetään varomattomasti tai väärin, seurauksena voi olla vakava henkilövahinko.

Vaara:

- Pidä kädet loitolla sahauslinjalta ja terästä. Pidä sahauksen aikana apukädellä lisäkavasta tai moottorin kotelosta.** Jos pidät sahasta molemmin käsin, et voi loukata käsiä terään.
- Älä kurota työkappaleen tai työkalun pohjan alapuolelle.** Teränsuojus ei ulotu työkappaleen alapuolelle. Älä yritä irrottaa sahattua kappaletta terän vielä pyöriessä.
HUOMAUTUS: Terä pyörii vielä jonkin aikaa sen jälkeen, kun saha on sammutettu. Odota, kunnes terä pysähtyy, ennen kuin tartut sahattuun kappaleeseen.
- Sääda leikkuusyvyys sahattavan työkappaleen paksuuden mukaan.** Terän hammas ei saa näkyä koko pituudeltaan työkappaleen alapuolelta.
- Älä koskaan pidä leikattavaa kappaletta käsissä tai polvilla. Kiinnitä työkappale tukevaan alustaan.** Työkappale on tuettava kunnolla loukkaantumisen, terän juuttumisen ja leikkurin hallinnan menettämisen estämiseksi.

kuussa on esitetty oikea työskentelyote, työkappaleen tuenta ja virtajohton reitti (soveltuvien osin). (kuva 1)

5. **Pidä sähkötyökälyä sen eristetyistä tartuntapainoista silloin, kun teet sahaustyötä, jossa terä voi osua piilossa olevan johtoon tai oman virtajohtoonsa.** Osuminen jännitteiseen johtoon saa paljaat metalliosat jännitteisiksi ja aiheuttaa käyttäjälle sähköiskun.
6. **Käytä halkaisussa aina halkaisu- tai sivuohjainta.** Se parantaa sahaustarkkuutta ja vähentää terän takertelua.
7. **Käytä aina sopivia teriä (timantti- tai pyöröteriä). Älä käytä teriä, joiden reiät ovat vääränkokoiset.** Jos terä ei ole yhteensopiva sahan kiinnitysmekanismin kanssa, saha pyörii epäkeskoisesti, mikä joi johtaa hallinnan menetykseen.
8. **Älä koskaan käytä viallisia tai vääriä terän aluslevyjä tai ruuveja.** Terän aluslevyt ja ruuvi on nimenomaan suunniteltu kyseiseen sahaan, mikä takaa sahan optimaalisen toiminnan ja turvallisen käytön.
9. **Takapotkun syitä ja niiden ehkäiseminen:**

- takapotkun aiheuttaa kiinni juuttunut, vääntynyt tai väärin kohdistettu terä, joka saa sahan ponnahtamaan irti työkappaleesta kohti käyttäjää
- jos terä jumiuu tiukkaan sahausuraan, terä pysähtyy ja moottori suojaus kääntää sen pyörimään taaksepäin kohti käyttäjää
- jos terä vääntyy tai sen kohdistus muuttuu leikatessa, terän takaosan hampaat voivat pureutua työkappaleen pintakerrokseen, jolloin terä nousee ylös urasta ja leikkuri ponnahtaa käyttäjää kohti.

Takapotku johtuu sahan virheellisestä käytöstä tai epäedullisista käyttöolosuhteista. Takapotku voidaan välttää noudattamalla seuraavia varoituksia.

- **Ota sahasta tukeva ote molemmiin käsiin ja pidä käsiä sellaisessa asennossa, että voit ottaa vastaan mahdollisen takapotkun aiheuttamat voimat.** Asetu terän jommallekummalle puolelle, älä suoraan terän taakse. Takapotku voi saada sahan ponnahtamaan kohti käyttäjää, joka voi kuitenkin hallita näitä voimia, jos on varautunut tähän asianmukaisesti.
- **Jos terä jumittaa tai jos keskeyttää sahaamisen jostakin muusta syystä, vapauta liipaisinkytkin ja pidä saha paikoillaan työkappaleessa, kunnes terä on täysin pysähtynyt.** Älä koskaan yritä irrottaa sahaa työkappaleesta tai vedä sahaa taaksepäin terän vielä pyöriessä tai seurauksena voi olla takapotku. Selvitä terän juuttumisen syy ja tee tarvittavat korjaukset.
- **Kun jatkat saman työkappaleen sahaamista, aseta saha uran keskelle ja varmista, että terän hampaat eivät ole kiinni sahattavassa työkappaleessa.** Jos terä jumittaa, se voi nousta ylös ja ponnahtaa irti työkappaleesta, kun saha käynnistetään uudelleen.
- **Minimoi terän juuttumis- ja takapotkuriski tukemalle suurikokoiset levyt kunnolla.** Suuret

levyt pyrkivät taipumaan omasta painostaan. Levy on tuettava molemmilta puolilta sekä sahauslinjan vierestä että reunoilta.

Terän juuttumis- ja takapotkuriskin minimoiminen: Jos sahaus on tehtävä niin, että saha lepää työkappaleen päällä, saha on tuettava suurempaan kappaleeseen ja pienempi osa sahattava irti.

Tue levyn sahauslinjan vierestä takapotkun välttämiseksi. (kuva 2)

Älä aseta tukia kauas sahauslinjasta. (kuva 3)

- **Älä käytä tylsiä tai vahingoittuneita teriä.** Teroittamattomat tai väärin kiinnitetyt terät tekevät kapean sahausuran, minkä seurauksena kitka kasvaa ja terä pyrkii jumittamaan ja aiheuttamaan takapotkun. Pidä terät terävinä ja puhtaina. Terään kovettunut pikha hidastaa sahaamista ja lisää takapotkun vaaraa. Pidä terä puhtaana irrottamalla se sahasta ja puhdistamalla pikhanpoistoaineella, kuumalla vedellä tai petroliilla. Älä käytä koskaan puhdistukseen bensiiniä.
- **Ennen kuin aloitat leikkauksen, varmista, että terän syvyys- ja viistesäätöjen vivut ovat tiukasti kiinni.** Jos terän säädöt muuttuvat työn aikana, seurauksena voi olla jumittaminen tai takapotku.
- **Ole erityisen varovainen, kun teet aukkoja seinisiin tai muihin umpinaisiin rakenteisiin.** Ulkoneva terä voi osua kohteisiin, jotka aiheuttavat takapotkun.
- **PIDÄ AINA sahasta tukevasti molemmiin käsiin. ÄLÄ KOSKAAN pidä kättä, jalkaa tai muuta ruumiinosaa työkalun pohjan alapuolelle tai terän takana varsinkaan katkaisussa.** Jos saha potkaisee taakse, se voi helposti ponnahtaa käsille ja aiheuttaa vakavia vammoja. (kuva 4)
- **Älä koskaan pakota sahaa. Pakottaminen johtaa epätasaiseen sahausjälkeen ja epätarkkuuteen ja voi aiheuttaa takapotkun.** Työnä sahaa eteenpäin sellaisella nopeudella, että terä leikkaa hidastumatta.

10. Varmista suojuksen sulkeutuminen ennen jokaista käyttökertaa. Älä käytä sahaa, jos terän suojuksen ei liuku vapaasti ja sulkeudu heti. Älä koskaan kiristä tai sido suojuksia auki-asentoon. Jos saha vahingossa putoaa, suojuksen voi vääntyä. Varmista, että suojuksen liikkua vapaasti eikä kosketa terää tai muita osia missään sahauskulmassa tai -syvytydessä.

11. Tarkista suojuksen jousen toiminta ja kunto. Jos suojuksen ja jousi eivät toimi moitteettomasti, ne on huollettava ennen käyttöä. Vaurioituneet osat, pikakerrostumat tai lika voivat saada suojuksen liikkumaan jähmeästi.

12. Varmista, ettei sahan ohjauslevy siirry upotussahauksessa, kun terän viistesetus on muu kuin 90°. Terän siirtyminen sivusuunnassa aiheuttaa takertelua ja mahdollisen takapotkun.

13. Ennen kuin lasket sahan höyläpenkille tai lattialle, varmista aina, että suojuksen peittää terän. Jos terä jää pyörimään ilman suojusta, saha alkaa liikkua takaperin ja leikkaa kaikkea tielle osuvaa. Ota

huomioon se aika, jonka terän pysähtyminen sahan sammuttamisen jälkeen vaatii.

14. **Ole erityisen varovainen, kun sahaat kosteaa, painekyllästettyä tai oksaista puuta.** Sovita sahausksen nopeus niin, että saha etenee tasaisesti ilman, että pyörimisnopeus hidastuu.
15. **Varo nauvoja sahatessa. Tarkista sahattava työkappale ja poista mahdolliset naulat ennen sahausta.**
16. **Aseta sahan pohjan leveämpi puoli työkappaleen tuetun osan päälle, älä sen osan päälle, joka irtoaa sahattaessa. OIKEA tapa sahata kappale laudan päästä on esitetty kuvassa 5. ja VÄÄRÄ tapa kuvassa 6. Jos työkappale on lyhyt tai pieni, kiinnitä se ruuvipenkkiin. ÄLÄ YRITÄ PITÄÄ LYHYTTÄ TYÖKAPPALETTA PAIKOILLAAN KÄSIN!**
17. **Älä koskaan sahaa pyörösahalla siten, että se on kiinnitetty ruuvipenkkiin ylösalaisin. Tämä on erittäin vaarallista ja voi aiheuttaa vakavia vammoja. (kuva 7)**
18. **Eräät materiaalit sisältävät kemikaaleja, jotka voivat olla myrkyllisiä. Huolehdi siitä, että pölyn sisäänhengittäminen ja ihokosketus estetään. Noudata materiaalin toimittajan turvallisuustietoja.**
19. **Älä pysäytä sahanterää painamalla sitä sivulle.**
20. **Käytä vain tässä ohjeessa suositeltuja teriä. Älä käytä sahassa minkäänlaista hiomalaikkaa.**
21. **Käytä sahatessa hengitys- ja kuulosuojaimia.**

SÄILYÄ NÄMÄ OHJEET.

VAROITUS:

VÄÄRINKÄYTTÖ tai tässä käyttöohjeessa ilmoitettujen turvamääräysten laiminlyönti voi aiheuttaa vakavia henkilövahinkoja.

TOIMINTAKUVAUS

HUOMAUTUS:

- Varmista aina ennen säätöjä tai tarkastuksia, että laite on sammutettu ja irrotettu verkosta.

Sahaussyvyyden säätö (kuva 8)

HUOMAUTUS:

- Kiristä kiristysruuvi aina sahaussyvyyden säätämisen jälkeen.

Löysää syvyystulkin kiristysruuvia ja siirrä terä terän alarajoihin haluttuun syvyyteen asteikkolevyllä. Muistaa kiristää kiristysruuvi aina sahaussyvyyden säätämisen jälkeen.

Aseta syvyys niin, että vain yksi terän hammas ulottuu työkappaleen alapinnan ulkopuolelle, jolloin sahausjärjestä tulee siisti ja itse sahaus on turvallisempaa. Oikea sahaussyvyys vähentää vammautumisriskejä aiheuttavan TAKAPOTKUN vaaraa.

HUOMAUTUS:

- Terän alarajoiittimen säätäminen haluttuun syvyyteen asteikkolevyllä mahdollistaa sahaussyvyyden karkean arviointin.

Sahaussyvyys voidaan määrittää tarkasti mittaamalla miten pitkälle työkalun pohja alapuolelle terä ulottuu.

Pikarajoin 2 - 3 mm sahaussyvyyksille ohjainkiskoa (lisävaruste) käytettäessä (kuvat 9 & 10)

Työkalun vaihteistokotelossa on 2 - 3 mm sahaussyvyyksille pikarajoiittin, jota voidaan käyttää yhdessä ohjainkiskon kanssa. Näin voidaan estää säleiden irtoaminen työkappaleesta. Sahaa ensin 2 - 3 millimetrin syvyinen ura ja sen jälkeen vedä uudestaan normaalisyyvytyellä.

Saat 2 - 3 millin rajoittimen päälle työntämällä painiketta terää kohti. Tämä estää työkappaleen halkeilun ja lohkeilun.

Rajoiittin vapautetaan normaalisahausta varten vetämällä painike taakse.

Viistesahaus (kuvat 10 & 11)

Kallistus oikealla (kuvat 12 & 13)

Käännä rajoiittinta niin, että nuoli osoittaa toiseen kahdesta asennosta (pystysuunta 22,5°, vaakasuunta 45°). Löysää etu- ja takaosan kiristysruuveja. Kallista sitten työkalun pohjaa rajoittimeen asti ja kiristä ruuvit.

48°:n viistekulmaa varten siirrä vipua 48°-merkinnän kohdalle pohjaan asti. Käännä rajoiittin niin, että sen nuoli osoittaa vaaka-asentoon. Kallista sitten työkalun pohjaa rajoittimeen asti ja kiristä ruuvit.

Kallistus vasemmalle (kuva 14)

Työkalua voidaan kallistaa vasemmalle 1°:n viistekulmaan. 1°:n viistekulmaa varten löysää etu- ja takaosan kiristysruuveja, käännä työkalua hieman oikealle ja työnnä viistekulman molempia säätövipuja samaan aikaan nuolen suuntaan -1 -merkinnän kohdalle. Kallista työkalun kahvaa sitten vasemmalle samalla, kun painat näitä kahta vipua yhtäaikaan. Varmista asetus kiristysruuveilla.

HUOMAUTUS:

- Kun terä käännetään suoraan kulmaan, säätövipu palaa itsestään 0°-asentoon.

Suuntaaminen (kuva 15)

Kun työkalua käytetään ilman ohjainkiskoa (lisävaruste)

Kun haluat sahata suoraan, kohdistaa pohjan etuosan piste A sahauslinjaan. Kun haluat tehdä 45°:n viisteitä, kohdistaa piste B sahauslinjaan.

Kun työkalua käytetään ohjainkiskon (lisävaruste) kanssa

Kun haluat sahata suoraan tai tehdä 45°:n viisteitä, kohdistaa pohjan etuosan piste A sahauslinjaan.

Kytkimen toiminta (kuva 16)

HUOMAUTUS:

- Tarkista aina ennen työkalun liittämistä virtalähteeseen, että liipaisinkytkin kytketty oikein ja palaa vapautettaessa OFF-asentoon.

Laitteessa on lukituksen vapautuspainike, joka estää liipaisinkytkimen painamisen vahingossa. Käynnistä työkalu työntämällä lukitusnappi sisään ja painamalla liipaisinkytkimestä.

Laitte pysäytetään vapauttamalla liipaisinkytkin.

Nopeudensäätöpyörä (kuva 17)

Sahan pyörimisnopeutta voidaan säätää säätöpyörästä portaattomasti välillä 2 000 - 5 200 kierr./min. Nopeus kasvaa, kun pyörää käännetään kohti numeroa 6, ja laskee, kun sitä käännetään kohti numeroa 1.

Tarkista sahattavalle työkappaleelle sopiva pyörimisnopeus taulukosta. Oikea nopeus saattaa kuitenkin vaihdella työkappaleen tyyppiin tai paksuuden mukaan. Yleensä sahaus sujuu nopeammin suurella nopeudella, mutta samalla terän käyttöaika lyhenee.

Numero	min ⁻¹
1	2 000
2	2 200
3	3 100
4	4 000
5	4 900
6	5 200

HUOMAUTUS:

- Nopeudensäätöpyörää voi kääntää vain asentoon 6 ja asentoon 1 saakka. Älä pakota sitä asennon 6 tai 1 ohi, koska tällöin nopeudensäätötoiminto saattaa lakata toimimasta.
- Nopeudensäätöpyörää ei ole tarkoitettu hitaalla nopeudella tapahtuvassa sahauskassa käytettäviä teriä varten vaan sen avulla valitaan sopiva pyörimisnopeus sahattavan materiaalin mukaan. Käytä vain teriä, joiden nimellinen pyörimisnopeus on vähintään 5 200 kierr./min⁻¹.

Sähkötoimista työkalua on seuraavien ominaisuuksien ansiosta helppo käyttää.

Ylikuormittussuoja

Jos saha ylikuormittuu tai virta nousee tietyn rajan yläpuolelle, laite pysähtyy automaattisesti moottorivaurioiden välttämiseksi.

Vakionopeussäädin

Sähköinen nopeudensäätö takaa tasaisen pyörimisnopeuden. Näin saadaan siisti sahausjälki, koska pyörimisnopeus pysyy vakiona myös kuormitustilanteissa.

Pehmeä käynnistys

Käynnistysvaimentimen ansiosta pehmeä käynnistys

KOKOONPANO

HUOMAUTUS:

- Varmista aina, että työkalu on sammutettu ja irrotettu virtalähteestä ennen kuin teet sille mitään.

Kuusioavaimen säilytys (kuva 18)

Kuusioavainta säilytetään työkalussa. Avain irrotetaan vetämällä se ulos.

Laita se takaisin paikoilleen työntämällä se kahvaan pohjaan asti.

Sahanterän irrotus ja kiinnitys

HUOMAUTUS:

- Älä käytä sahanterää, joka ei vastaa näissä ohjeissa annettuja vaatimuksia.
- Käytä vain teriä, joiden nimellinen pyörimisnopeus on vähintään 5 200 kierr./min⁻¹.
- Varmista, että terä on asennettu siten, että hampaat sahan etuosassa osoittavat ylöspäin.
- Käytä terän irrottamiseen ja kiinnittämiseen vain Makitan kuusioavainta.

Irrota terä työntämällä lukitusnappi sisään, jolloin ylärajoinen vapautuu. (kuva 19)

Lukitse sahan pää terän vaihtoa varten kääntämällä vipua. (kuva 20)

Pidä lukitusnappi on alhaalla ja käännä lukitusvipua, laske kahvaa alas niin, että lukkotappi osuu lukitusvivun ja asteikkolevyllä varustetun syvyystulkin muodostamaan uraan. Varmista, että lukkotappi menee uraan.

Paina akseliliukkoa niin, että terä ei pääse pyörimään ja löysää kuusioapulta avaimella kiertämällä vastapäivään. Irrota sitten kuusioapulta, ulkolaippa ja terä. (kuva 21)

Terä kiinnitetään päinvastaisessa järjestyksessä. MUISTA KIRISTÄÄ KUUSIOPULTTI TIUKASTI MYÖTÄPÄIVÄÄN. (kuva 22)

Pölyimurin kytkentä (kuva 23)

Jos haluat tehdä sahaustyön siististi, kytke sahaan Makita-pölynimuri. Liitä pölynimurin letku pölynpoistoaukkoon kuvan osoittamalla tavalla.

KÄYTTÖ

Normaalisahaus (kuva 24)

HUOMAUTUS:

- Työnnä sahaa kevyesti suoraan eteenpäin. Sahan pakottaminen tai vääntäminen johtaa moottorin ylikuumentumiseen ja voi aiheuttaa vaarallisen takapotkun ja vakavia vammoja.
- Älä koskaan pidä mitään jäseniä työkalun pohjan alapuolella varsinkaan sahausken alkuvaiheessa. Seurauksena voi olla vakavia vammoja. Terä on pohjan alapuolella paljaana ilman mitään suojaa.

Ota sahasta luja ote. Laitteessa on sekä etu- että takakahva. Tartu sahaan molemmista. Jos pidät työkalusta molemmiin käsiin, et voi loukata käsiä terään. Aseta leikkurin pohjan etuosa leikkattavan työkappaleen päälle ilman, että terä ottaa työkappaleeseen. Työnnä sitten lukituksen vapautuspainike sisään, käynnistä saha ja odota, kunnes terä pyörii täydellä nopeudella. Paina sahan pää hitaasti ennalta asetettuun sahausssyvyteen ja työnnä sahaa työkappaleen pinnalla tasaisesti eteenpäin siten, että alusta lepää suorassa työkappaleen päällä.

Siistin sahausjäljen saat, kun etenet suoraa linjaa tasaista vauhtia. Jos sahaus menee vinoon, älä yritä vääntää tai pakottaa leikkuria oikeaan linjaan. Terä voi vääntyä ja aiheuttaa vaarallisen takapotkun ja mahdollisesti vammoja. Vapauta liipaisinkytkin, odota, kunnes terä

pysähtyy ja nosta sen jälkeen saha urasta. Kohdista saha uuteen linjaan ja aloita uudestaan. Yritä asetta sellaiseen kohtaan, jossa et joudu alttiiksi sahasta lentävälle purulle ja lastuille. Käytä vammojen välttämiseksi suojalaseja.

Sahaus ohjainkiskon (lisävaruste) kanssa (kuvat 25 & 26)

Aseta työkalu ohjainkiskon takapäähän. Kierrä työkalun pohjassa olevia säätöruuveja niin, että saha liikkuu tasaisesti rämisemättä. Ota sahasta luja ote. Laitteessa on sekä etu- että takakahva. Tartu sahaan molemmista. Käynnistä saha, paina se alas ennalta asetettuun sahausvyönteeseen ja sahaa säälösuojan pituudelta yhdellä vedolla. Säälösuojan reuna on sahausreunan kohdalla. Jos sahaat viisteitä ohjainkiskon avulla, työnnä työkalun pohjassa olevaa liukuvipua niin, ettei saha pääse kaatumaan sivulle.

Siirrä työkalun pohjassa olevaan liukuvipua nuolen suuntaan niin, että se ottaa ohjainkiskon alauraan.

Halkaisuohjain (ohjaustulkki) (lisävaruste) (kuva 27)

Kätevän halkaisuohjaimen (ohjaustulkkin) avulla voit leikata tarkasti suorassa linjassa. Siirrä halkaisuohjain tiukasti kiinni työkalun reunaan ja kiristä se paikoilleen pohjan etu- ja takaosassa olevilla ruuveilla. Näin voit myös leikata useita saman levyisiä kappaleita.

Kun käännät halkaisuohjaimen (ohjainkiskon) toisin päin, se toimii lisätukena.

Uputussahaus (kuva 28)

VAROITUS:

- Noudata takapotkun estämiseksi seuraavia ohjeita.

Kun työkalua käytetään ilman ohjainkiskoa

Aseta saha työkalulle niin, että sen pohjan takareuna on vasten kiinteää rajoiintia tai vastaavaa estettä.

Kun työkalua käytetään ohjainkiskon kanssa

Aseta saha työkalulle niin, että sen pohjan takareuna on vasten kiinteää rajoiintia tai ohjainkiskoon kiinnitettyä vastaavaa estettä.

Pidä sahasta aina tukevasti toinen käsi etukahvassa ja toinen pääkahvassa. Työnnä sitten lukituksen vapautuspainike sisään, käynnistä saha ja odota, kunnes terä pyörii täydellä nopeudella. Paina sitten sahan pää hitaasti ennalta asetettuun sahausvyönteeseen ja työnnä sahaa eteenpäin haluttuun kohtaan asti.

HUOMAUTUS:

- Teränsuojuksen sivussa olevat merkinnät osoittavat terän leikkukohtaan edessä ja takana (A = terän halkaisija 160 mm ja B = 165 mm) suurimmalla sahausvyönteellä, kun käytetään ohjainkiskoa.

(kuva 29)

Ohjainlaite (lisävaruste)

Jiiristeikon (lisävaruste) avulla voidaan tehdä jiirisahauksia eri kulmilla sovitustöitä varten.

Varmista työkalun kiinnitys penkkiin kiristimellä (lisävaruste).

KUNNOSSAPITO

HUOMAUTUS:

- Varmista aina ennen tarkastuksia tai huoltotöitä, että laite on sammutettu ja kytketty irti virtalähteestä.

Tarkkuussäätö 90° ja 45° (pysty ja 45° viiste) (kuvat 30 & 31)

Kulmat on säädetty tehtaalla. Jos säädöt eivät kuitenkaan ole kohdallaan, säädä kulmat säätöruuveilla käyttäen kuusioavainta ja tarkastamalle 90 ja 45 asteen kulmat kolmikulmaa tai kulmamittaa tms. käyttäen.

HUOMAUTUS:

- Kulmia 22,5°, 48° ja -1° viiste ei voi säätää.

Hiiliharjojen vaihto (kuvat 32 & 33)

Irrota ja tarkasta hiiliharjat säännöllisesti.

Vaihda, kun ne ovat kuluneet rajamerkkiin asti. Pidä

hiiliharjat puhtaina ja varmista, että ne pääsevät liukumaan vapaasti pidikkeissään.

Molemmat hiiliharjat on vaihdettava yhtä aikaa. Käytä vain identtisiä hiiliharjoja.

Irrota hiiliharjanpidikkeiden kuvat ruuvimeisselillä.

Irrota kuluneet hiiliharjat, asenna uudet ja kiinnitä pidikkeiden kuvut.

Tuotteen TURVALLISUUDEN ja LUOTETTAVUUDEN takaamiseksi korjaukset, muut huoltotyöt ja säädöt on teetettävä Makitan valtuutetussa huoltopisteessä Makitan varaosia käyttäen.

LISÄVARUSTEET

HUOMAUTUS:

- Seuraavia lisävarusteita tai laitteita suositellaan käytettäväksi tässä ohjeessa kuvatun Makita-tökalun kanssa. Muiden lisävarusteiden tai laitteiden käyttö voi aiheuttaa henkilövahinkoja. Käytä lisävarustetta tai laitteita vain ilmoitettuun käyttötarkoitukseen.

Jos tarvitset lisätietoja varusteista, ota yhteyttä Makitan paikalliseen huoltopisteeseen.

- Sahanterät
- Ohjainkisko
- Halkaisuohjain (ohjaustulkki)
- Jiiristeikko
- Puristin
- Kuusioavain
- Ohjainkiskon pinnoitesarja
- Ohjainkiskon kumpinnoitesarja
- Ohjainkiskon kohdistuspinoitesarja

Περιγραφή γενικής όψης

- | | | |
|------------------------------------|----------------------------------|---------------------------------------|
| 1. Βίδα συγκράτησης | 13. Επιλογέας ρύθμισης ταχύτητας | 25. Οδηγός κομματιού (Οδηγός χάρακας) |
| 2. Στοπ κάτω ορίου δίσκου | 14. Εξαγωνικό άλεν | 26. Πίσω άκρο της βάσης εργαλείου |
| 3. Κουμπί ταχείας διακοπής | 15. Μοχλός κλειδώματος | 27. Σταθερό στοπ |
| 4. Βίδες συγκράτησης | 16. Κλειδώμα άξονα | 28. Βίδα ρύθμισης για 90° |
| 5. Βάση εργαλείου | 17. Εξαγωνικό μπουλόνι | 29. Βίδα ρύθμισης για 45° |
| 6. Θετικό στοπ | 18. Εξωτερική φλάντζα | 30. Ένδειξη ορίου |
| 7. Μοχλός | 19. Δίσκος | 31. Κατσαβίδι |
| 8. Μοχλός αλλαγής γωνίας λοξοτομής | 20. Εσωτερική φλάντζα | 32. Καπάκι υποδοχής για το καρβουνάκι |
| 9. Βάση | 21. Ηλεκτρική σκούπα | |
| 10. Γραμμή κοπής | 22. Θύρα σκόνης | |
| 11. Κουμπί ασφάλισης | 23. Βίδες ρύθμισης | |
| 12. Σκανδάλη-διακόπτης | 24. Κυλιόμενος μοχλός | |

ΤΕΧΝΙΚΑ ΧΑΡΑΚΤΗΡΙΣΤΙΚΑ

Μοντέλο		SP6000
Διάμετρος δίσκου		165 mm
Μέγιστο βάθος κοπής	στις 90°	56 mm
	στις 45°	40 mm
	στις 48°	38 mm
Ταχύτητα χωρίς φορτίο (min ⁻¹)		2.000 - 5.200
Ολικό μήκος		341 mm
Καθαρό βάρος		4,1 kg
Τάξη ασφάλειας		II/II

- Λόγω του συνεχόμενου προγράμματος που εφαρμόζουμε για έρευνα και ανάπτυξη, τα τεχνικά χαρακτηριστικά στο παρόν έντυπο υπόκεινται σε αλλαγή χωρίς προειδοποίηση.
- Παρατήρηση: Τα τεχνικά χαρακτηριστικά μπορεί να διαφέρουν ανάλογα με τη χώρα.

Σύμβολα

END201-2

Παρακάτω παρουσιάζονται τα σύμβολα που χρησιμοποιούνται για τον εξοπλισμό. Βεβαιωθείτε ότι κατανοείτε τη σημασία τους πριν από τη χρήση.



..... Διαβάστε το εγχειρίδιο οδηγιών.



..... ΔΙΠΛΗ ΜΟΝΩΣΗ

Προοριζόμενη χρήση

ENE067-1

Το εργαλείο προορίζεται ειδικά για την πραγματοποίηση βαθιών κοπών.

Επιπλέον, είναι δυνατή η εκτέλεση ευθειών κοπών κατά μήκος και κατά πλάτος και λοξών κοπών με γωνία σε ξύλο, ενώ υπάρχει σταθερή επαφή με το τεμάχιο εργασίας.

Ηλεκτρική παροχή

ENF002-1

Το εργαλείο πρέπει να συνδέεται μόνο σε ηλεκτρική παροχή της ίδιας τάσης με αυτήν που αναγράφεται στην πινακίδα ονομαστικών τιμών και μπορεί να λειτουργήσει μόνο με εναλλασσόμενο μονοφασικό ρεύμα. Τα εργαλεία αυτά διαθέτουν διπλή μόνωση που συμμορφώνεται με τα ευρωπαϊκά πρότυπα και συνεπώς μπορούν να συνδεθούν με πρίζες χωρίς γείωση.

ΕΙΔΙΚΟΙ ΚΑΝΟΝΕΣ ΑΣΦΑΛΕΙΑΣ

GEB031-1

MHN επιτρέψετε στη βολικότητα ή στην εξοικειώσή σας με το προϊόν (που αποκτήθηκε από επανειλημμένη χρήση) να αντικαταστήσει την αυστηρή προσήλωση στους κανόνες ασφάλειας του δισκοπρίονου. Αν χρησιμοποιήσετε το εργαλείο αυτό με ανασφαλές ή λανθασμένο τρόπο, μπορεί να υποστείτε σοβαρό προσωπικό τραυματισμό. Κίνδυνος:

1. **Να κρατάτε τα χέρια σας μακριά από την περιοχή κοπής και το δίσκο. Να κρατάτε με το άλλο σας χέρι τη βοηθητική λαβή ή το περίβλημα του μοτέρ.** Αν κρατάτε το δισκοπρίονο και με τα δύο χέρια, δεν είναι δυνατό να κοπούν από το δίσκο.
2. **Μην πιάνετε από κάτω το τεμάχιο εργασίας ή τη βάση εργαλείου.** Το προστατευτικό δεν σας παρέχει προστασία από το δίσκο κάτω από το τεμάχιο εργασίας. Μην επιχειρήσετε να μετακινήσετε το υλικό κοπής ενώ ο δίσκος κινείται.
ΠΡΟΣΟΧΗ: Ο δίσκος περιστρέφεται ελεύθερα μετά το σβήσιμο. Περιμένετε μέχρι να ακινητοποιηθεί ο δίσκος πριν πιάσετε το υλικό κοπής.
3. **Ρυθμίστε το βάθος κοπής ανάλογα με το πάχος του τεμαχίου εργασίας.** Δεν θα πρέπει να είναι

ορατά ολόκληρα τα δόντια του δίσκου κάτω από το τεμάχιο εργασίας.

4. **Μην κρατάτε ποτέ το τεμάχιο εργασίας στα χέρια σας και μην το τοποθετείτε επάνω στο πόδι σας. Ασφαλίστε το τεμάχιο εργασίας σε μια σταθερή βάση.** Είναι σημαντικό να στηρίζετε το τεμάχιο εργασίας σωστά για να ελαχιστοποιείται η έκθεση του σώματος, η πιθανότητα εμπόδισής της κίνησης του δίσκου από κάποιο αντικείμενο και η απώλεια ελέγχου.
Απεικόνιση της σωστής στήριξης με το χέρι, της στήριξης του τεμαχίου εργασίας και της δρομολόγησης του ηλεκτρικού καλωδίου (εάν υπάρχει). (Εικ. 1)
5. **Να κρατάτε το ηλεκτρικό εργαλείο από τις λαβές με μόνωση όταν εκτελείτε εργασίες κατά τις οποίες το κοπτικό εργαλείο μπορεί να έρθει σε επαφή με κρυμμένα καλώδια ή με το ίδιο του το καλώδιο.** Αν το εργαλείο έρθει σε επαφή με κάποιο ηλεκτροφόρο καλώδιο, τα εκτεθειμένα μεταλλικά μέρη του ηλεκτρικού εργαλείου θα γίνουν κι αυτά ηλεκτροφόρα και θα προκληθεί ηλεκτροπληξία στο χειριστή.
6. **Όταν κόβετε, να χρησιμοποιείτε πάντα οδηγό κομματιού ή άλλο οδηγό με ευθύγραμμη ακμή.** Έτσι, βελτιώνεται η ακρίβεια κοπής και μειώνεται η πιθανότητα να εμποδιστεί η κίνηση του δίσκου.
7. **Να χρησιμοποιείτε πάντα δίσκους με το σωστό μέγεθος και και το σωστό σχήμα (σχήμα διαμαντιού έναντι στρογγυλού σχήματος) των οπών στερέωσης.** Οι δίσκοι που δεν ταιριάζουν με τον εξοπλισμό στερέωσης του πριονιού θα λειτουργούν ιδιόρρυθμα, προκαλώντας την απώλεια του ελέγχου.
8. **Μη χρησιμοποιείτε ποτέ στο δίσκο ροδέλες ή μπουλόνια που είναι κατεστραμμένα ή λανθασμένου μεγέθους.** Οι ροδέλες και τα μπουλόνια του δίσκου είναι ειδικά σχεδιασμένα για το δισκοπρίονο που διαθέτετε, ώστε να παρέχουν βέλτιστη απόδοση και ασφάλεια λειτουργίας.
9. **Απίες κλοστήματος και ενέργειες του χειριστή για την αποφυγή του:**
 - Το κλότσημα είναι μια ξαφνική αντίδραση όταν ο δίσκος είναι αποκομμένος, πιασμένος ή ευθυγραμμισμένος λάθος, και προκαλεί την ανεξέλεγκτη ανύψωση του πριονιού έξω από το τεμάχιο εργασίας και προς τη μεριά του χειριστή.
 - Όταν ο δίσκος είναι αποκομμένος ή πιασμένος σφίχτά από την εγκοπή, μπλοκάρει και η αντίδραση του μοτέρ οδηγεί το εργαλείο με ταχύτητα προς τη μεριά του χειριστή.
 - Αν ο δίσκος παραμορφωθεί ή ευθυγραμμιστεί λάθος κατά την κοπή, τα δόντια στο πίσω μέρος του δίσκου μπορεί να σκάσουν μέσα στην επάνω επιφάνεια του ξύλου και έτσι ο δίσκος να βγει από την εγκοπή και να αναπηδήσει προς τη μεριά του χειριστή.

Το κλότσημα προκαλείται όταν το δισκοπρίονο χρησιμοποιείται λανθασμένα ή/και όταν οι διαδικασίες ή οι συνθήκες λειτουργίας είναι

λανθασμένες. Μπορεί να αποφευχθεί αν ληφθούν οι κατάλληλες προφυλάξεις που αναφέρονται παρακάτω.

- **Να κρατάτε το δισκοπρίονο γερά και με τα δύο χέρια και να τοποθετείτε τους βραχιόνεις σας με τρόπο ώστε να αντιστέκεται στη δύναμη του κλοστήματος. Να τοποθετείτε το σώμα σας πλευρικά του δίσκου, αλλά όχι στην ίδια ευθεία με το δίσκο.** Το κλότσημα μπορεί να προκαλέσει την αναπήδηση του δισκοπρίονου προς τα πίσω, αλλά ο χειριστής μπορεί να ελέγξει το κλότσημα αν λάβει τις κατάλληλες προφυλάξεις.
 - **Όταν εμποδίζεται η κίνηση του δίσκου ή όταν διακόπτεται η κοπή για οποιοδήποτε λόγο, αφήστε τη σκανδάλη και κρατήστε ακίνητο το δισκοπρίονο μέσα στο υλικό έως ότου ακινητοποιηθεί ο δίσκος. Μη δοκιμάσετε ποτέ να βγάλετε το δισκοπρίονο από το τεμάχιο εργασίας ούτε να το τραβήξετε προς τα πίσω όταν ο δίσκος κινείται, επειδή το εργαλείο μπορεί να κλοστήσει.** Διερευνήστε την αιτία που εμποδίζεται η κίνηση του δίσκου και λάβετε διορθωτικά μέτρα.
 - **Όταν ξεκινάτε ξανά την κοπή ενός τεμαχίου εργασίας, κεντράρετε το δίσκο στην εγκοπή και ελέγξτε ότι τα δόντια του δίσκου δεν έχουν πιαστεί μέσα στο υλικό.** Αν εμποδίζεται η κίνηση του δίσκου, το εργαλείο μπορεί να αναπηδήσει από το τεμάχιο εργασίας ή να κλοστήσει όταν το θέσετε ξανά σε λειτουργία.
 - **Πρέπει να στηρίζετε τις μεγάλες πλάκες για να ελαχιστοποιείτε τον κίνδυνο να πιαστεί ο δίσκος, αλλά και να κλοστήσει.** Οι μεγάλες πλάκες τείνουν να βαρουνώνουν από το ίδιο τους το βάρος. Πρέπει να τοποθετείτε στηρίγματα κάτω από τις πλάκες, και στις δύο πλευρές, κοντά στη γραμμή κοπής και κοντά στην άκρη της πλάκας.
- Για να ελαχιστοποιήσετε τον κίνδυνο πιασίματος του δίσκου και του κλοστήματος, όταν η εργασία κοπής απαιτεί να ακουμπάτε το δισκοπρίονο επάνω στο τεμάχιο εργασίας, πρέπει να ακουμπάτε το δισκοπρίονο στο μεγαλύτερο μέρος του τεμαχίου εργασίας και να κόβετε το μικρότερο.
- Για την αποφυγή του κλοστήματος, να στηρίζετε τη σανίδα ή την πλάκα κοντά στην κοπή. (Εικ. 2)**
Μη στηρίζετε τη σανίδα ή την πλάκα μακριά από την κοπή. (Εικ. 3)
- **Μη χρησιμοποιείτε δίσκους που δεν είναι αιχμηροί ή που είναι κατεστραμμένοι.** Οι δίσκοι που δεν είναι κοφτεροί ή που δεν έχουν ρυθμιστεί σωστά δημιουργούν στενές εγκοπές και προκαλούν μεγάλη τριβή, εμπόδιση της κίνησης του δίσκου και κλότσημα. Να διατηρείτε το δίσκο κοφτερό και καθαρό. Η κόλλα και τα πριονίσματα ξύλου που έχουν ξεραθεί επάνω στους δίσκους επιβραδύνουν το δισκοπρίονο και αυξάνουν την πιθανότητα κλοστήματος. Να καθαρίζετε το δίσκο αφού πρώτα τον βγάλετε από το εργαλείο.

Καθαρίστε τον με καθαριστικό για κόλλα και πριονίματα, ζεστό νερό ή κηροζίνη. Μη χρησιμοποιήσετε ποτέ βενζίνη.

- **Οι μοχλοί ασφάλισης του βάθους δίσκου και της ρύθμισης λοξοτομής πρέπει να είναι σφιχτοί και ασφαλισμένοι πριν από την κοπή.** Αν η ρύθμιση του δίσκου μετακινηθεί κατά το πριόνισμα, μπορεί να εμποδίσει ή κινήσει του δίσκου και να προκληθεί κλότσημα.
 - **Να είστε ιδιαίτερα προσεκτικοί όταν εκτελείτε «βαθείς κοπές» σε τοίχους ή άλλες περιοχές για τις οποίες δεν γνωρίζετε τι κρύβουν στο εσωτερικό τους.** Αν ο δίσκος προεξέχει, μπορεί να κόψει αντικείμενα που θα προκαλέσουν το κλότσημά του.
 - **Να κρατάτε ΠΑΝΤΑ το εργαλείο καλά και με τα δύο χέρια. Μην τοποθετείτε ΠΟΤΕ τα χέρια σας, τα πόδια σας ή οποιοδήποτε μέρος του σώματός σας κάτω από τη βάση εργαλείου ή πίσω από το δίσκο, ιδιαίτερα όταν κάνετε διαγώνιες κοπές.** Αν συμβεί κλότσημα, το δισκοπρίονο μπορεί να πεταχτεί προς τα πίσω επάνω στο χέρι σας με πιθανότητα πρόκλησης σοβαρού τραυματισμού. (Εικ. 4)
 - **Μη ζορίζετε ποτέ το δισκοπρίονο. Αν ζορίζετε το δισκοπρίονο μπορεί να προκληθούν ανομοιομορφες κοπές, απώλεια ακρίβειας και πιθανώς κλότσημα.** Να σπρώχνετε το δισκοπρίονο προς τα μπροστά με τέτοια ταχύτητα ώστε ο δίσκος να κόβει χωρίς να επιβραδύνει.
10. **Ελέγξτε ότι το προστατευτικό κλείνει σωστά πριν από κάθε χρήση. Μη θέτετε σε λειτουργία το δισκοπρίονο αν το προστατευτικό δεν κινείται ελεύθερα και δεν περιβάλλει αμέσως το δίσκο. Μη συγκρατείτε και μη δένετε ποτέ το προστατευτικό όταν εκτίθεται ο δίσκος.** Αν το δισκοπρίονο πέσει κατά λάθος, το προστατευτικό μπορεί να λυγίσει. Ελέγξτε για να βεβαιωθείτε ότι το προστατευτικό κινείται ελεύθερα και δεν ακουμπά το δίσκο ή κάποιο άλλο μέρος, σε όλες τις γωνίες και βάθη κοπής.
11. **Ελέγξτε τη λειτουργία και την κατάσταση του ελατηρίου επιστροφής του προστατευτικού. Αν το προστατευτικό και το ελατήριο δεν λειτουργούν σωστά, πρέπει να επισκευαστούν πριν από τη χρήση.** Το προστατευτικό μπορεί να λειτουργεί με αργό ρυθμό αν υπάρχουν κατεστραμμένα μέρη, αποθέματα κόλλας ή συσσώρευση ακαθαρσιών.
12. **Βεβαιωθείτε ότι η πλάκα οδήγησης του δισκοπρίονου δεν θα μετακινηθεί ενώ εκτελείτε «βαθιά κοπή» όταν η ρύθμιση λοξοτομής του δίσκου δεν είναι στις 90°.** Η μετακίνηση του δίσκου προς το πλάι θα προκαλέσει εμπόδιση της κίνησης και πιθανώς κλότσημα.
13. **Να παρατηρείτε πάντα ότι το προστατευτικό καλύπτει το δίσκο πριν τοποθετήσετε το δισκοπρίονο σε πάγκο ή στο πάτωμα.** Αν ο δίσκος δεν προστατεύεται και κινείται ελεύθερα, το δισκοπρίονο θα κινηθεί ανάποδα, κόβοντας ότι

βρεθεί στο δρόμο του. Έχετε υπόψη σας το χρόνο που χρειάζεται ο δίσκος να ακινητοποιηθεί αφότου αφήσετε το διακόπτη.

14. **Να προσέχετε ιδιαίτερα όταν κόβετε νωπό ξύλο, ξύλο που έχει υποστεί επεξεργασία με πίεση και ξύλο με κόμπους.** Ρυθμίστε την ταχύτητα του κοψίματος για να μπορείτε να προωθήτε ομαλά το εργαλείο χωρίς να μειώνετε η ταχύτητα του δίσκου.
15. **Να αποφεύγετε την κοπή καρφιών. Ελέγξτε αν υπάρχουν καρφιά και αφαιρέστε όλα τα καρφιά από το ξύλο πριν από την κοπή.**
16. **Τοποθετήστε το πλατύτερο τμήμα της βάσης του πριονιού σε εκείνο το τμήμα του τεμαχίου εργασίας που στριζέται σταθερά, και όχι στο τμήμα εκείνο που θα πέσει όταν θα εκτελεστεί η κοπή.** Ως παραδείγματα, η Εικ. 5 δείχνει το ΣΩΣΤΟ τρόπο για να κόψετε την άκρη μιας σανίδας και η Εικ. 6 το ΛΑΝΘΑΣΜΕΝΟ τρόπο. Αν το τεμάχιο εργασίας είναι κοντό ή μικρό, συγκρατήστε το. **ΜΗΝ ΠΡΟΣΠΑΘΗΣΕΤΕ ΝΑ ΚΡΑΤΗΣΕΤΕ ΜΙΚΡΑ ΚΟΜΜΑΤΙΑ ΜΕ ΤΑ ΧΕΡΙΑ!**
17. **Ποτέ μη δοκιμάσετε να κόψετε όταν το δισκοπρίονο είναι στερεωμένο ανάποδα σε μια μέγκενη.** Αυτό είναι εξαιρετικά επικίνδυνο και μπορεί να οδηγήσει σε σοβαρά ατυχήματα. (Εικ. 7)
18. **Μερικά υλικά περιέχουν χημικές ουσίες που μπορεί να είναι τοξικές. Να προσέχετε ώστε να αποφεύγετε την εισπνοή της σκόνης και την επαφή με το δέρμα. Ακολουθείτε τα δεδομένα ασφάλειας υλικού που παρέχονται από τον προμηθευτή.**
19. **Μη σταματάτε τους δίσκους με πλευρική πίεση στο δισκοπρίονο.**
20. **Να χρησιμοποιείτε πάντοτε δίσκους που συνιστώνται στο παρόν εγχειρίδιο. Μη χρησιμοποιείτε οποιοδήποτε λειαντικό δίσκο.**
21. **Να φοράτε προσταψία κατά της σκόνης και ωτοασπίδες όταν χρησιμοποιείτε το εργαλείο.**

ΦΥΛΑΞΤΕ ΑΥΤΕΣ ΤΙΣ ΟΔΗΓΙΕΣ.

ΠΡΟΕΙΔΟΠΟΙΗΣΗ:

Η ΛΑΝΘΑΣΜΕΝΗ ΧΡΗΣΗ ή η αμέλεια να ακολουθήσετε τους κανόνες ασφάλειας που διατυπώνονται στο παρόν εγχειρίδιο οδηγίων μπορεί να προκαλέσει σοβαρό προσωπικό τραυματισμό.

ΠΕΡΙΓΡΑΦΗ ΛΕΙΤΟΥΡΓΙΑΣ

ΠΡΟΣΟΧΗ:

- Να βεβαιώνετε πάντοτε ότι το εργαλείο είναι σβηστό και αποσυνδεδεμένο από το ηλεκτρικό ρεύμα πριν ρυθμίσετε ή ελέγχετε κάποια λειτουργία του.

Ρύθμιση του βάθους κοπής (Εικ. 8)

ΠΡΟΣΟΧΗ:

- Μετά τη ρύθμιση του βάθους κοπής, πάντοτε να σφίγγετε καλά τη βίδα συγκράτησης.

Χαλαρώστε τη βίδα συγκράτησης στον οδηγό βάθους και μετακινήστε το στοπ κάτω ορίου δίσκο στο επιθυμητό βάθος στην πλάκα κλίμακα. Στο επιθυμητό βάθος κοπής, σφίξτε καλά τη βίδα συγκράτησης.

Για καλύτερη και ασφαλέστερη κοπή, ρυθμίστε το βάθος κοπής ώστε μόνο ένα δόντι του δίσκου να προεξέχει κάτω από το τεμάχιο εργασίας. Η χρήση κατάλληλου βάθους κοπής συμβάλλει στη μείωση της πιθανότητας επικίνδυνου ΚΛΟΤΣΗΜΑΤΟΣ που μπορεί να προκαλέσει τραυματισμό.

ΠΑΡΑΤΗΡΗΣΗ:

- Η ρύθμιση του στοπ κάτω ορίου δίσκου στο επιθυμητό βάθος στην πλάκα κλίμακα επιτρέπει το πρόχειρο βάθος κοπής.
Για ακριβές βάθος κοπής, μετρήστε την πραγματική προέκταση του δισκοπρίονου κάτω από τη βάση του εργαλείου.

Κουμπί ταχείας διακοπής για βάθος κοπής 2 έως 3 χιλιοστά όταν χρησιμοποιείται ράγα οδήγησης (αξεσουάρ) (Εικ. 9 και 10)

Όταν χρησιμοποιείται ράγα οδήγησης, το εργαλείο αυτό διαθέτει κουμπί ταχείας διακοπής για βάθος κοπής 2 έως 3 χιλιοστά, στο περίβλημα γραναζιού δίπλα από την πίσω λαβή. Αυτό χρησιμοποιείται για να αποφεύγεται η δημιουργία σκλήθρων στο τεμάχιο εργασίας μέσα στην κοπή. Περάστε το τεμάχιο εργασίας μία φορά με αρχικό βάθος κοπής 2 έως 3 χιλιοστά και κατόπιν περάστε το ξανά για την κανονική κοπή.

Για να αποκτήσετε βάθος κοπής 2 έως 3 χιλιοστά, πιέστε το κουμπί διακοπής προς το δισκοπρίονο. Αυτός είναι ένας βολικός τρόπος για την αποφυγή της δημιουργίας σκλήθρων στο τεμάχιο εργασίας.

Για να απελευθερώσετε το βάθος κοπής από τη θέση αυτή για ελεύθερο βάθος κοπής, απλά τραβήξτε το κουμπί προς τα πίσω.

Λοξοτομή (Εικ. 11)

Γωνία προς τα δεξιά (Εικ. 12 και 13)

Περιστρέψτε το θετικό στοπ ώστε το βέλος του να είναι στραμμένο προς μία από τις δύο θέσεις (κάθετα για 22,5°, οριζόντια για 45°). Χαλαρώστε τις βίδες συγκράτησης στο μπροστινό και το πίσω μέρος. Κατόπιν, γείρτε τη βάση εργαλείου έως ότου σταματήσει και ασφαλίστε τη βάση με τις βίδες συγκράτησης.

Για να έχετε γωνία λοξοτομής 48°, μετακινήστε το μοχλό στην ένδειξη 48° έως το τέρμα. Περιστρέψτε το θετικό στοπ ώστε ότου το βέλος του να είναι στραμμένο προς την οριζόντια θέση. Κατόπιν, γείρτε τη βάση εργαλείου έως ότου σταματήσει και ασφαλίστε τη βάση με τις βίδες συγκράτησης.

Γωνία προς τα αριστερά (Εικ. 14)

Μπορείτε να γείρτε το εργαλείο προς τα αριστερά κατά γωνία λοξοτομής 1°. Για να έχετε γωνία λοξοτομής 1°, χαλαρώστε τις βίδες συγκράτησης στο μπροστινό και το πίσω μέρος, γείρτε τη λαβή

εργαλείου λίγο προς τα δεξιά και σπρώξτε τους δύο μοχλούς αλλαγής γωνίας λοξοτομής ταυτόχρονα προς την κατεύθυνση του βέλους με την ένδειξη -1. Και κατόπιν γείρτε τη λαβή εργαλείου προς τα αριστερά ενώ πιέζετε αυτούς τους δύο μοχλούς ταυτόχρονα. Ασφαλίστε τη βάση με τις βίδες συγκράτησης.

ΠΑΡΑΤΗΡΗΣΗ:

- Εάν επιστρέψετε το δίσκο στη δεξιά γωνία, ο μοχλός αλλαγής εξαναγκάζεται να επιτρέψει αυτόματα στις 0°.

Επιβλεψη (Εικ. 15)

Όταν χρησιμοποιείτε το εργαλείο χωρίς ράγα οδήγησης (αξεσουάρ)

Για ευθείες κοπές, ευθυγραμμίστε τη θέση Α στο μπροστινό μέρος της βάσης με τη γραμμή κοπής. Για λοξοτομές 45°, ευθυγραμμίστε τη θέση Β με αυτήν.

Όταν χρησιμοποιείτε το εργαλείο με ράγα οδήγησης (αξεσουάρ)

Για ευθείες κοπές και λοξοτομές 45°, να ευθυγραμμίζετε πάντα τη θέση Α στο μπροστινό μέρος της βάσης με τη γραμμή κοπής.

Δράση διακόπτη (Εικ. 16)

ΠΡΟΣΟΧΗ:

- Πριν συνδέετε το εργαλείο, πάντοτε να ελέγχετε ότι η σκανδάλη-διακόπτης ενεργοποιείται κανονικά και επιστρέφει στη θέση OFF όταν την αφήνετε.

Για να μην πιέζεται η σκανδάλη-διακόπτης κατά λάθος, παρέχεται ένα κουμπί ασφάλισης. Για να ξεκινήσετε τη λειτουργία του εργαλείου, πιέστε το κουμπί ασφάλισης και πατήστε τη σκανδάλη-διακόπτης.

Για να σταματήσετε το εργαλείο, αφήστε τη σκανδάλη-διακόπτη.

Επιλογέας ρύθμισης ταχύτητας (Εικ. 17)

Εάν περιστρέψετε τον επιλογέα ρύθμισης, μπορείτε να ρυθμίσετε την ταχύτητα του εργαλείου περιορίστια μεταξύ 2.000 και 5.200 στροφών το λεπτό. Λαμβάνετε υψηλότερη ταχύτητα όταν περιστρέψετε τον επιλογέα προς την κατεύθυνση του αριθμού 6, ενώ λαμβάνετε χαμηλότερη ταχύτητα όταν περιστρέψετε τον επιλογέα προς την κατεύθυνση του αριθμού 1.

Ανατρέξτε στον πίνακα για να επιλέξετε τη σωστή ταχύτητα για το τεμάχιο εργασίας που θα κοπεί. Ωστόσο, η κατάλληλη ταχύτητα ενδεχομένως να διαφέρει ανάλογα με τον τύπο ή το πάχος του τεμαχίου εργασίας. Γενικά, οι υψηλότερες ταχύτητες σάς επιτρέπουν να κόβετε τεμάχια εργασίας πιο γρήγορα, αλλά μειώνεται η διάρκεια ζωής του δίσκου.

Αριθμός	min ⁻¹
1	2.000
2	2.200
3	3.100
4	4.000
5	4.900
6	5.200

ΠΡΟΣΟΧΗ:

- Ο επιλογέας ρύθμισης ταχύτητας έχει τη δυνατότητα να περιστρέφεται έως το 6 και ξανά στο 1. Μην τον εξαναγκάζετε πέρα από το 6 ή το 1, αλλιώς μπορεί να μη λειτουργεί πλέον η ρύθμιση ταχύτητας.
- Ο επιλογέας ρύθμισης ταχύτητας δεν προορίζεται για τη χρήση δισκοπρίονων με προδιαγραφές χαμηλής ταχύτητας αλλά για την απόκτηση ταχύτητας που είναι κατάλληλη για το υλικό του τεμαχίου εργασίας. Να χρησιμοποιείτε μόνο δισκοπρίονα με προδιαγραφές για τουλάχιστον 5.200 min⁻¹.

Τα εργαλεία που είναι εξοπλισμένα με ηλεκτρονική λειτουργία είναι εύκολα στη χρήση λόγω των ακόλουθων χαρακτηριστικών.

Προστατευτικό υπερφόρτωσης

Όταν υπερφορτώνεται το εργαλείο και το ηλεκτρικό ρεύμα βρίσκεται πάνω από ένα ορισμένο επίπεδο, το εργαλείο σταματά αυτόματα ώστε να προστατευτεί το μοτέρ.

Έλεγχος σταθερής ταχύτητας

Ο ηλεκτρονικός έλεγχος ταχύτητας χρησιμοποιείται για να έχετε σταθερή ταχύτητα. Είναι δυνατό να έχετε ένα καθαρό τελειώμα επειδή η ταχύτητα περιστροφής διατηρείται σταθερή ακόμη και κάτω από συνθήκες φόρτου.

Χαρακτηριστικό ομαλής εκκίνησης

Χρησιμοποιήστε την ομαλή εκκίνηση λόγω των απότομων κραδασμών κατά την εκκίνηση.

ΣΥΝΑΡΜΟΛΟΓΗΣΗ

ΠΡΟΣΟΧΗ:

- Να βεβαιώνετε πάντοτε ότι το εργαλείο είναι σβηστό και αποσυνδεδεμένο από το ηλεκτρικό ρεύμα πριν εκτελέσετε οποιαδήποτε εργασία σε αυτό.

Αποθήκευση εξαγωνικού άλεν (Εικ. 18)

Το εξαγωνικό άλεν βρίσκεται αποθηκευμένο στο εργαλείο. Για να βγάλετε το εξαγωνικό άλεν, απλά τραβήξτε το προς τα έξω.

Για να τοποθετήσετε το εξαγωνικό άλεν, τοποθετήστε το στη λαβή και εισάγετέ το όσο περισσότερο γίνεται.

Αφαίρεση ή τοποθέτηση του δίσκου

ΠΡΟΣΟΧΗ:

- Μη χρησιμοποιείτε δισκοπρίονα που δεν συμμορφώνονται με τα χαρακτηριστικά που καθορίζονται σε αυτές τις οδηγίες.
- Να χρησιμοποιείτε μόνο δισκοπρίονα με προδιαγραφές για τουλάχιστον 5.200 min⁻¹.
- Βεβαιωθείτε ότι ο δίσκος είναι τοποθετημένος με τα δόντια στραμμένα προς τα πάνω στο μπροστινό μέρος του εργαλείου.
- Να χρησιμοποιείτε μόνο το παρεχόμενο άλεν της Makita για να τοποθετήσετε ή για να αφαιρέσετε το δίσκο.

Για να αφαιρέσετε το δίσκο, πιέστε το κουμπί ασφαλίσης για να απασφαλίσετε το στοπ άνω ορίου.

(Εικ. 19)

Περιστρέψτε το μοχλό κλειδώματος για να κλειδώσετε την κεφαλή του πριονιού για την αλλαγή ενός δίσκου. (Εικ. 20)

Ενώ πατάτε το κουμπί απασφάλισης και περιστρέφετε το μοχλό κλειδώματος, χαμηλώστε τη λαβή ώστε η περόνη κλειδώματος να προσαρμοστεί στην εγκοπή που σχηματίζεται από το μοχλό κλειδώματος και τον οδηγό βάθους με την πλάκα κλίμακα. Βεβαιωθείτε ότι η περόνη κλειδώματος προσαρμόζεται στην εγκοπή.

Πιέστε πλήρως το κλειδί άξονα ώστε να μην μπορεί να περιστραφεί ο δίσκος και χρησιμοποιήστε το άλεν για να χαλαρώσει το εξαγωνικό μπουλόνι γυρίζοντάς το αριστερόστροφα. Κατόπιν, αφαιρέστε το εξαγωνικό μπουλόνι, την εξωτερική φλάντζα και το δίσκο. (Εικ. 21)

Για να τοποθετήσετε το δίσκο, ακολουθήστε τη διαδικασία αφαίρεσης με αντίστροφη σειρά. ΒΕΒΑΙΩΘΕΙΤΕ ΝΑ ΣΦΙΞΕΤΕ ΚΑΛΑ ΤΟ ΕΞΑΓΩΝΙΚΟ ΜΠΟΥΛΟΝΙ ΓΥΡΙΖΟΝΤΑΣ ΤΟ ΔΕΞΙΟΣΤΡΟΦΑ. (Εικ. 22)

Σύνδεση ηλεκτρικής σκούπας (Εικ. 23)

Όταν θέλετε να εκτελέσετε κοπές καθαρά, συνδέστε την ηλεκτρική σκούπα της Makita στο εργαλείο που διαθέτετε. Συνδέστε τον εύκαμπτο σωλήνα της ηλεκτρικής σκούπας στη θύρα σκόνης, όπως απεικονίζεται.

ΛΕΙΤΟΥΡΓΙΑ

Κοπή τομής (κανονικό πριόνισμα) (Εικ. 24)

ΠΡΟΣΟΧΗ:

- Βεβαιωθείτε να μετακινείτε ομαλά το εργαλείο προς τα μπροστά σε ευθεία γραμμή. Αν πιέσετε ή συστρέψετε το εργαλείο, θα έχει ως αποτέλεσμα την υπερθέρμανση του μοτέρ και επικίνδυνο κλότσημα, που πιθανώς να προκαλέσει σοβαρό τραυματισμό.
- Μην πλησιάζετε οποιοδήποτε μέρος του σώματός σας κάτω από τη βάση του εργαλείου όταν πραγματοποιείτε κοπή τομής, ιδιαίτερα κατά την εκκίνηση. Εάν κάνετε κάτι τέτοιο, μπορεί να προκληθούν σοβαροί προσωπικοί τραυματισμοί. Ο

δίσκος είναι εκτεθειμένος κάτω από τη βάση εργαλείου.

Να κρατάτε το εργαλείο σταθερά. Το εργαλείο παρέχεται με μπροστινή και πίσω λαβή. Να χρησιμοποιείτε και τις δύο λαβές για να έχετε καλύτερο κράτημα του εργαλείου. Αν κρατάτε το δισκοπρίονο και με τα δύο χέρια, δεν είναι δυνατό να κοπούν από το δίσκο. Θέστε το μπροστινό μέρος της βάση στο τεμάχιο εργασίας που πρόκειται να κοπεί χωρίς ο δίσκος να ακουμπήσει καθόλου. Κατόπιν, ωθήστε το κουμπί απασφάλισης προς τα μέσα, ανάψτε το εργαλείο και περιμένετε έως ότου ο δίσκος να αποκτήσει την πλήρη ταχύτητά του. Τώρα, πιέστε προς τα κάτω την κεφαλή πριονιού αργά έως το προκαθορισμένο βάθος κοπής και απλά μετακινήστε το εργαλείο προς τα εμπρός πάνω στην επιφάνεια του τεμαχίου εργασίας, κρατώντας το επίπεδο και προωθώντας το ομαλά μέχρι να ολοκληρωθεί η κοπή.

Για να πετύχετε καθαρές κοπές, κρατήστε τη γραμμή κοπής ευθεία και την ταχύτητα προώθησης σταθερή. Αν η κοπή δεν ακολουθήσει σωστά την προοριζόμενη γραμμή κοπής, μην επιχειρήσετε να γυρίσετε ή να πιέσετε το εργαλείο ξανά στη γραμμή κοπής. Αυτό ενδεχομένως να προκαλέσει το πιάσιμο του δίσκου και να οδηγήσει σε επικίνδυνο κλότσημα και πιθανώς σοβαρό τραυματισμό. Αφήστε το διακόπτη, περιμένετε να ακινητοποιηθεί ο δίσκος και κατόπιν αποσύρετε το εργαλείο. Ευθυγραμμίστε ξανά το εργαλείο σε καινούργια γραμμή κοπής και ξεκινήστε ξανά την κοπή. Προσπαθήστε να αποφύγετε μια θέση που αφήνει εκτεθειμένο το χειριστή σε θραύσματα και πριονίδια που εκτοξεύονται από το δισκοπρίονο. Χρησιμοποιήστε προστασία ματιών για την αποφυγή τραυματισμού.

Όταν χρησιμοποιείται ράγα οδήγησης (αξεσουάρ) (Εικ. 25 και 26)

Τοποθετήστε το εργαλείο στο πίσω άκρο της ράγας οδήγησης. Περιστρέψτε τις δύο βίδες ρύθμισης στη βάση εργαλείου ώστε το εργαλείο να ολισθαίνει ομαλά χωρίς εμπόδια. Να κρατάτε το εργαλείο σταθερά. Το εργαλείο παρέχεται με μπροστινή και πίσω λαβή. Να χρησιμοποιείτε και τις δύο λαβές για να έχετε καλύτερο κράτημα του εργαλείου. Ανάψτε το εργαλείο, πιέστε το προς τα κάτω στο προκαθορισμένο βάθος κοπής και κόψτε το προστατευτικό σκλήθρων κατά ολόκληρο το μήκος του με μία κίνηση. Το άκρο του προστατευτικού σκλήθρων αντιστοιχεί στο άκρο κοπής. Όταν πραγματοποιείτε λοξοτομή με τη ράγα οδήγησης, ολισθήστε το κυλιόμενο μοχλό στη βάση του εργαλείου με τρόπο ώστε να μην πέσει το εργαλείο στο πλαϊνό του.

Μετακινήστε τον κυλιόμενο μοχλό στη βάση του εργαλείου προς την κατεύθυνση του βέλους ώστε να δεσμεύει την υποκείμενη εγκοπή στη ράγα οδήγησης.

Οδηγός κομματιού (οδηγός χάρακας) (αξεσουάρ) (Εικ. 27)

Ο πρακτικός οδηγός κομματιού σας επιτρέπει να κάνετε ευθείες κοπές με μεγάλη ακρίβεια. Απλά ολισθήστε τον οδηγό κομματιού εφαρμοστώ επάνω στη πλευρά του τεμαχίου εργασίας και ασφαλίστε τον στην κατάλληλη θέση με τις βίδες στο μπροστινό και το πίσω μέρος της βάσης. Αυτό κάνει επίσης δυνατή την επαναλαμβανόμενη κοπή κομματιών σταθερού πλάτους.

Η αναστροφή του οδηγού κομματιού (οδηγός χάρακας) επίσης λειτουργεί ως δευτερεύουσα βάση για το εργαλείο.

Βαθιά κοπή (αποκοπή) (Εικ. 28)

ΠΡΟΕΙΔΟΠΟΙΗΣΗ:

- Για να αποφεύγετε το κλότσημα, βεβαιωθείτε να τηρείτε τις ακόλουθες οδηγίες.

Όταν χρησιμοποιείτε το εργαλείο χωρίς ράγα οδήγησης

Τοποθετήστε το εργαλείο επάνω στο τεμάχιο εργασίας με το πίσω άκρο της βάσης εργαλείου επάνω σε σταθερό στοπ ή ισοδύναμο εξάρτημα του χειριστή.

Όταν χρησιμοποιείτε το εργαλείο με ράγα οδήγησης
Τοποθετήστε το εργαλείο επάνω στη ράγα οδήγησης με το πίσω άκρο της βάσης εργαλείου επάνω σε σταθερό στοπ ή ισοδύναμο εξάρτημα, το οποίο συγκρατείται επάνω στη ράγα οδήγησης.

Να κρατάτε το εργαλείο σταθερά με το ένα χέρι στην μπροστινή λαβή και το άλλο χέρι στη λαβή του εργαλείου. Κατόπιν, ωθήστε το κουμπί απασφάλισης προς τα μέσα, ανάψτε το εργαλείο και περιμένετε έως ότου ο δίσκος να αποκτήσει την πλήρη ταχύτητά του. Τώρα, πιέστε προς τα κάτω την κεφαλή πριονιού αργά έως το καθορισμένο βάθος κοπής και απλά μετακινήστε το εργαλείο προς τα μπροστά έως την επιθυμητή θέση βαθιάς κοπής.

ΠΑΡΑΤΗΡΗΣΗ:

- Οι ενδείξεις στο πλαϊνό του προστατευτικού δίσκου δείχνουν το απόλυτο μπροστινό και το απόλυτο πίσω σημείο κοπής του δισκοπριονιού (Α για διάμετρο 160 mm και Β για διάμετρο 165 mm) στο μέγιστο βάθος κοπής και με χρήση της ράγας οδήγησης. (Εικ. 29)

Διάταξη οδήγησης (αξεσουάρ)

Η χρήση του μετρητή απόκλισης (αξεσουάρ) επιτρέπει ακριβείς κοπές με γωνίες και εργασίες προσαρτήματος.

Η χρήση της μέγκενης (αξεσουάρ) εξασφαλίζει τη σταθερή συγκράτηση του τεμαχίου εργασίας στον πάγκο.

ΣΥΝΤΗΡΗΣΗ

ΠΡΟΣΟΧΗ:

- Να βεβαιώνετε πάντοτε ότι το εργαλείο είναι σβηστό και αποσυνδεδεμένο από το ηλεκτρικό ρεύμα πριν εκτελέσετε οποιαδήποτε εργασία ελέγχου ή συντήρησης σε αυτό.

Ρύθμιση για ακρίβεια κοπής 90° και 45°(κάθετη κοπή και κοπή 45°) (Εικ. 30 και 31)

Αυτή η ρύθμιση έχει γίνει στο εργοστάσιο. Εάν όμως απορρυθμιστεί, μετακινήστε τις βίδες ρύθμισης με τη βοήθεια εξαγωνικού άλεν ενώ ελέγχετε ότι η γωνία μεταξύ της βάσης και του δίσκου είναι 90° ή 45° με τη χρήση γεωμετρικού τριγώνου, τετραγώνου χάρακα κτλ.

ΠΑΡΑΤΗΡΗΣΗ:

- Δεν είναι δυνατή η ρύθμιση για ακρίβεια κοπής 22,5°, 48° και -1°.

Αλλαγή καρβουνακίων (Εικ. 32 και 33)

Να αφαιρείτε και να ελέγχετε τακτικά τα καρβουνάκια.

Να αντικαθιστάτε τα καρβουνάκια όταν έχουν φθαρεί έως την ένδειξη ορίου. Να διατηρείτε τα καρβουνάκια καθαρά και ελεύθερα για να γλιστρούν στις υποδοχές.

Πρέπει να αλλάζετε ταυτόχρονα και τα δύο καρβουνάκια. Να χρησιμοποιείτε μόνο καρβουνάκια ίδιου τύπου.

Με τη βοήθεια ενός κατσαβιδιού, βγάλτε τα καπάκια της υποδοχής για τα καρβουνάκια.

Βγάλτε τα φθαρμένα καρβουνάκια, τοποθετήστε τα καινούργια και ασφαλίστε τα καπάκια της υποδοχής για τα καρβουνάκια.

Για να διατηρείται η ΑΣΦΑΛΕΙΑ και η ΑΞΙΟΠΙΣΤΙΑ του προϊόντος, οι εργασίες επισκευής, καθώς και οποιαδήποτε άλλη εργασία συντήρησης ή ρύθμισης, θα πρέπει να εκτελούνται σε εξουσιοδοτημένα κέντρα εξυπηρέτησης της Makita, και πάντοτε με τη χρήση ανταλλακτικών της Makita.

ΑΞΕΣΟΥΑΡ

ΠΡΟΣΟΧΗ:

- Συνιστάται η χρήση των παρακάτω αξεσουάρ και εξαρτημάτων με το εργαλείο της Makita μόνο όπως καθορίζεται στο παρόν εγχειρίδιο. Αν χρησιμοποιήσετε άλλα αξεσουάρ ή εξαρτήματα μπορεί να παρουσιαστεί κίνδυνος για πρόκληση ατομικού τραυματισμού. Να χρησιμοποιείτε τα αξεσουάρ και τα εξαρτήματα μόνο για τον σκοπό για τον οποίο προορίζονται.

Αν χρειάζεστε κάποια βοήθεια ή περισσότερες πληροφορίες σχετικά με τα αξεσουάρ αυτά, απευθυνθείτε στο πλησιέστερο κέντρο εξυπηρέτησης της Makita.

- Δίσκοι
- Ράγα οδήγησης
- Οδηγός κομματιού (Οδηγός χάρακας)
- Μετρητής απόκλισης

- Μέγκενη
- Εξαγωνικό άλεν
- Σετ φύλλου για ράγα οδήγησης
- Σετ λαστιχένιου φύλλου για ράγα οδήγησης
- Σετ φύλλου θέσης για ράγα οδήγησης

ENGLISH

EC-DECLARATION OF CONFORMITY

We declare under our sole responsibility that this product is in compliance with the following standards of standardized documents;
EN60745, EN55014, EN61000 in accordance with Council Directives, 2004/108/EC, 98/37/EC.

FRANÇAIS

DÉCLARATION DE CONFORMITÉ CE

Nous déclarons, sous notre entière responsabilité, que ce produit répond aux normes suivantes de documents normalisés :
EN60745, EN55014, EN61000 conformément aux Directives du Conseil, 2004/108/EC, 98/37/EC.

DEUTSCH

EG-KONFORMITÄTSERKLÄRUNG

Wir erklären unter unserer alleinigen Verantwortlichkeit, dass sich dieses Produkt in Übereinstimmung mit den folgenden Normen der Normdokumente
EN60745, EN55014, EN61000 befindet sowie in Übereinstimmung mit den Ratsverordnungen 2004/108/EC, 98/37/EC.

ITALIANO

DICHIARAZIONE DI CONFORMITÀ CE

Dichiariamo sotto nostra esclusiva responsabilità che il presente prodotto è conforme alle seguenti norme o documenti normativi:
EN60745, EN55014, EN61000 secondo le disposizioni delle direttive del Consiglio, 2004/108/CE, 98/37/CE.

NEDERLANDS

EU-VERKLARING VAN CONFORMITEIT

Wij verklaren onder eigen verantwoordelijkheid dat dit product voldoet aan de normen in de volgende genormaliseerde documenten:
EN60745, EN55014, EN61000 in overeenstemming met de richtlijnen van de Raad, 2004/108/EC, 98/37/EC.

ESPAÑOL

DECLARACIÓN DE CONFORMIDAD DE LA CE

Declaramos bajo nuestra exclusiva responsabilidad que este producto cumple con los siguientes estándares de documentos estandarizados;
EN60745, EN55014, EN61000 de acuerdo con las directivas del Consejo, 2004/108/EC, 98/37/EC.

Tomoyasu Kato CE 2006



Director	Amministratore
Directeur	Directeur
Direktor	Director

Responsible manufacturer:	Produttore responsabile:
Fabricant responsable :	Verantwoordelijke fabrikant:
Verantwortlicher Hersteller:	Fabricante responsable:

Makita Corporation

3-11-8, Sumiyoshi-cho, Anjo, Aichi, JAPAN

Authorized Representative in Europe:	Rappresentanti autorizzati in Europa:
Représentant agréé en Europe :	Erkende vertegenwoordiger in Europa:
Autorisierte Vertretung in Europa:	Representante autorizado en Europa:

Makita International Europe Ltd.

Michigan Drive, Tongwell, Milton Keynes,
Bucks MK15 8JD, ENGLAND

PORTUGUÊS

EC-DECLARAÇÃO DE CONFORMIDADE

Declaramos, sob a nossa única responsabilidade, que este produto está em conformidade com as seguintes normas de documentos normalizados;
EN60745, EN55014, EN61000 em conformidade com as Directivas do Conselho, 2004/108/EC, 98/37/EC.

DANSK

EC-ERKLÆRING VEDRØRENDE OVERHOLDELSE AF STANDARDER

Vi erklærer og tager det fulde ansvar for, at produktet overholder følgende standarder i standardiseringsdokumenterne
EN60745, EN55014, EN61000 i overensstemmelse med Rådets direktiver 2004/108/EC, 98/37/EC.

SVENSKA

EU-FÖRSÄKRAN OM ÖVERENSSTÄMMELSE

Vi försäkrar under eget ansvar att denna produkt följer de standarder som anges i följande standardiserade dokument:
EN60745, EN55014, EN61000 i enlighet med direktiven 2004/108/EC, 98/37/EC.

NORSK

EU-SAMSVARSERKLÆRING

Vi tar det hele og fulle ansvar for at dette produktet samsvarer med følgende standarder:
EN60745, NEK EN 55014 og NEK EN 61000 i overensstemmelse med Rådsdirektivene 2004/108/EF og 98/37/EF.

SUOMI

VAATIMUSTENMUKAISUUSILMOITUS

Makita ilmoittaa vastaavansa siitä, että tuote täyttää seuraavien standardien vaatimukset:
EN60745, EN55014 ja EN61000 neuvoston direktiivien 2004/108/EY ja 98/37/EY mukaisesti.

ΕΛΛΗΝΙΚΑ

ΕC – Δ3ΛΠΨΥ3 ΥΧΜΜΠCΨΥ3Υ3Υ

Δηλώνουμε με αποκλειστική ευθύνη μας ότι το προϊόν αυτό συμμορφώνεται με τα ακόλουθα πρότυπα των τυποποιημένων εντύπων:
EN60745, EN55014, EN61000 σε συμφωνία με τις Οδηγίες της Επιτροπής, 2004/108/ΕΚ, 98/37/ΕΚ.

Tomoyasu Kato CE 2006



Director
Direktør
Direktör

Direktor
Johtaja
Διευθυντής

Fabricante responsável:
Ansvarlig fabrikant:
Ansvarlig tillverkare:

Ansvarlig produsent:
Vastaava valmistaja:
Υπεύθυνος κατασκευαστής:

Makita Corporation

3-11-8, Sumiyoshi-cho, Anjo, Aichi, JAPAN

Representante autorizado na Europa:
Autoriseret repræsentant i Europa:
Auktoriserad representant i Europa:

Autorisert representant i Europa:
Valtuutettu edustaja Euroopassa:
Εξουσιοδοτημένος Αντιπρόσωπος στην Ευρώπη:

Makita International Europe Ltd.

Michigan Drive, Tongwell, Milton Keynes,
Bucks MK15 8JD, ENGLAND

ENGLISH

For European countries only

Noise and Vibration

The typical A-weighted noise levels are
sound pressure level: 89 dB (A)
sound power level: 100 dB (A)
Uncertainty: 3 dB (A)
- Wear ear protection. -

The typical weighted root mean square acceleration value is not more than 2,5 m/s².

These values have been obtained according to EN60745.

FRANÇAIS

Pour l'Europe uniquement

Bruit et vibrations

Les niveaux de bruit pondéré A typiques sont les suivants :
niveau de pression sonore = 89 dB (A)
niveau de puissance sonore = 100 dB (A)
Incertitude : 3 dB (A)
- Portez des protections auditives. -

La valeur d'accélération quadratique pondérée typique ne dépasse pas 2,5 m/s².

Ces valeurs ont été obtenues selon l'EN60745.

DEUTSCH

Nur für europäische Länder

Geräusche und Vibrationen

Die typischen effektiven Geräuschpegel betragen für
Schalldruck: 89 dB (A)
Schallleistungspegel: 100 dB (A)
Die Abweichung beträgt 3 dB (A)
- Tragen Sie Gehörschutz. -

Der typische effektive Beschleunigungswert beträgt höchstens 2,5 m/s².

Diese Werte wurden entsprechend der Norm EN60745 gewonnen.

ITALIANO

Solo per i paesi europei

Rumore e vibrazione

I tipici livelli di rumore ponderati "A" sono
livello di pressione sonora: 89 dB (A)
livello di potenza sonora: 100 dB (A)
Variazione: 3 dB (A)
- Indossare una protezione acustica. -

In genere, il valore efficace ponderato dell'accelerazione non supera i 2,5 m/s².

Questi valori sono stati ottenuti in conformità con la norma EN60745.

NEDERLANDS

Alleen voor Europese landen

Geluid en trillingen

De typische, A-gewogen geluidsniveaus zijn
geluidsdrukniveau: 89 dB (A)
geluidsvermogensniveau: 100 dB (A)
Afwijking: 3 dB (A)
- Draag gehoorbescherming. -

De typisch, gewogen, kwadratisch-gemiddelde versnellingswaarde is niet hoger dan 2,5 m/s².

Deze waarden zijn verkregen volgens EN60745.

ESPAÑOL

Sólo para los países europeos

Ruido y vibración

Los niveles típicos de ruido ponderado A son
nivel de presión sonora: 89 dB (A)
nivel de potencia sonora: 100 dB (A)
Incertidumbre: 3 dB (A)
- Utilice protección para los oídos. -

El valor ponderado de aceleración no es superior a 2,5 m/s².
Estos valores se han obtenido conforme a EN60745.

Tomoyasu Kato CE 2006



Director	Amministratore
Directeur	Directeur
Direktor	Director

Responsible manufacturer:	Produttore responsabile:
Fabricant responsable :	Verantwoordelijke fabrikant:
Verantwortlicher Hersteller:	Fabricante responsable:

Makita Corporation

3-11-8, Sumiyoshi-cho, Anjo, Aichi, JAPAN

Authorized Representative in Europe:	Rappresentanti autorizzati in Europa:
Représentant agréé en Europe :	Erkende vertegenwoordiger in Europa :
Autorisierte Vertretung in Europa:	Representante autorizado en Europa:

Makita International Europe Ltd.

Michigan Drive, Tongwell, Milton Keynes,
Bucks MK15 8JD, ENGLAND

PORTUGUÊS

Apenas para os países Europeus Ruído e vibrações

Os níveis acústicos ponderados A típicos são
nível de pressão sonora: 89 dB (A)
nível de potência sonora: 100 dB (A)
Incerteza: 3 dB (A)

- Use proteção para os ouvidos. -

A do valor médio quadrático ponderado da variação da
aceleração não é superior a $2,5 \text{ m/s}^2$.

Estes valores foram obtidos segundo a norma EN60745.

DANSK

Kun for lande i Europa

Støj og Vibration

De typiske A-vægtede støjniveauer er
lydtryksniveau: 89 dB (A)
lydkraftniveau: 100 dB (A)
Usikkerhed: 3 dB (A)

- Bær høreværn. -

Den typiske vægtede effektive accelerationsværdi er ikke over
 $2,5 \text{ m/s}^2$.

Disse værdier er målt i overensstemmelse med EN60745.

SVENSKA

Gäller endast Europa

Buller och vibrationer

Normala bullernivåer är
ljudtrycksnivå: 89 dB (A)
ljudeffektsnivå: 100 dB (A)
Måttolerans: 3 dB (A)

- Använd hörselskydd. -

Kvadratiska medelvärdet för accelerationen överstiger inte
 $2,5 \text{ m/s}^2$.

Dessa värden är framtagna i enlighet med EN60745.

NORSK

Gjelder bare land i Europa

Støy og vibrasjoner

Typisk A-vektede lydtryknivåer er
Lydtryknivå: 89 dB (A)
Lydeffektnivå: 100 dB (A)
Usikkerhet: 3 dB (A)

- Bruk hørselvern. -

Typisk vektet kvadratisk middelverdi av akselerasjonen er ikke
mer enn $2,5 \text{ m/s}^2$.

Disse verdiene er fremkommet i samsvar med EN60745.

SUOMI

Koskee vain Euroopan maita

Melutaso ja värinä

Tyypilliset A-painotetut äänenpainetasot ovat
äänenpainetaso: 89 dB (A)
äänitehotaso: 100 dB (A)
Virhemarginaali: 3 dB (A)

- Käytä kuulosuojaimia. -

Tyypillinen painotettu tehollisarvo on enintään $2,5 \text{ m/s}^2$.

Nämä arvot on saatu standardin EN60745 mukaisesti.

ΕΛΛΗΝΙΚΑ

Γίβ εκσπρβъкЭт чюсет мьнп

Ιβςχβπт κβί κσδβμьт

Το σύνθηες σταθμισμένο επίπεδο ηχητικής πίεσης είναι:
Επίπεδο ηχητικής πίεσης: 89 dB (A)
Επίπεδο ηχητικής ισχύος: 100 dB (A)
Αβεβαιότητα: 3 dB (A)

- Να φοράτε ωτοασπίδες. -

Η συνθήες σταθμισμένη μέση τετραγωνική ρίζα της τιμής
επιτάχυνσης δεν υπερβαίνει τα $2,5 \text{ m/s}^2$.

Οι τιμές αυτές έχουν ληφθεί σύμφωνα με το EN60745.

Tomoyasu Kato CE 2006

Director
Direktør
Direktör

Direktor
Johtaja
Διευθυντής

Fabricante responsável:
Ansvarlig fabrikant:
Ansvarig tillverkare:

Ansvarlig produsent:
Vastaava valmistaja:
Υπεύθυνος κατασκευαστής:

Makita Corporation

3-11-8, Sumiyoshi-cho, Anjo, Aichi, JAPAN

Representante autorizado na Europa:
Autoriseret repræsentant i Europa:
Auktoriserad representant i Europa:

Autoriseret representant i Europa:
Valtuutettu edustaja Euroopassa:
Εξουσιοδοτημένος Αντιπρόσωπος στην Ευρώπη:

Makita International Europe Ltd.

Michigan Drive, Tongwell, Milton Keynes,
Bucks MK15 8JD, ENGLAND

Makita Corporation
Anjo, Aichi, Japan

884683B999