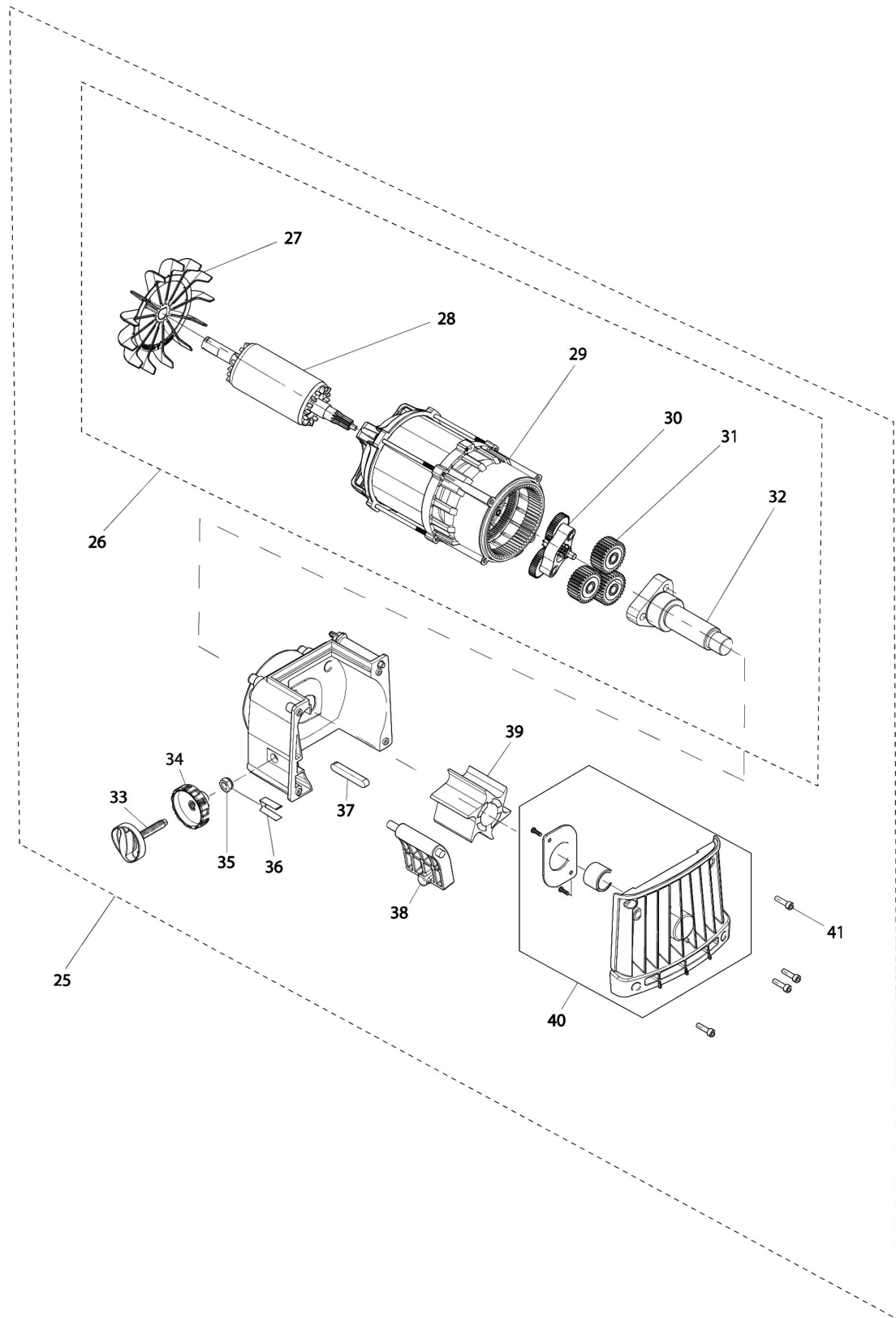


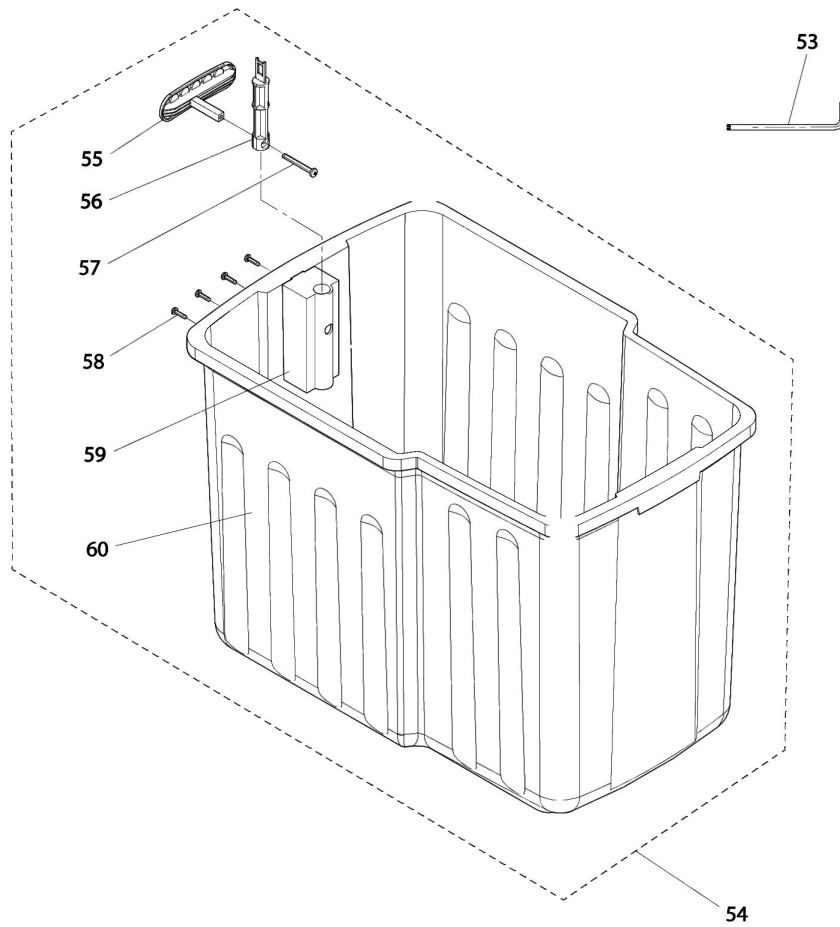
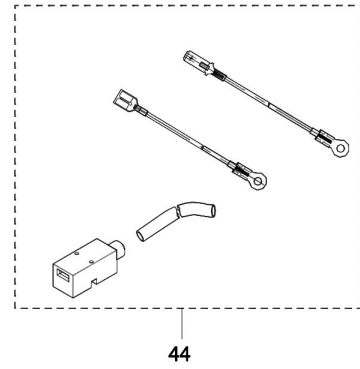
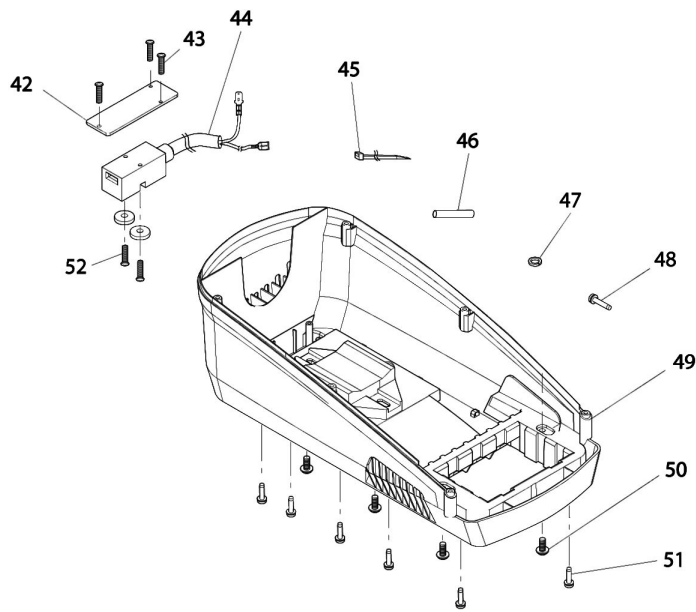
Nr.	Part nr.	Name
001	652023652	SWITCH BOX ASS'Y
002	652024820	HANDLE
003	652023653	TORX HEAD COUNTERSUNK HEAD SCR
004	652023654	SWITCH BOX UPPER COVER
005	652023655	WATER PROOF COVER
006	652023656	START BUTTON
007	652023657	STOP BOTTON
008	652023658	BUTTON
009	652023659	SPRING
011	652023661	FLANGE TAPPING SCREW
012	652023662	LIGHT GUIDE COVER
013	652023663	PCB BOARD
014	652023664	SWITCH BOX LOWER COVER
015	652023666	PLUG COVER ASS'Y
016	652023676	CONTROL PCB
017	652025247	UPPER HOUSING (MAKITA)
018	652023679	HOPPER
019	652023680	TAPPING SCREW
020	652024821	CAPACITOR
021	652024824	SAFTY SWITCH ASS'Y
022	652024825	MICRO SWITCH
023	652024826	2 CORE CONNECTION LINE
024	652024827	CONNECTION LINE
025	652023682	MOTOR ASS'Y
026	652023732	TRANSMISSION PART
027	YA00000696	FAN
028	YA00000699	ARMATURE Assy
029	YA00000700	INTERNAL GEAR ASS'Y
030	YA00000702	GEAR COMPLETE
031	YA00000701	SECONDARY GEAR
032	YA00000698	SPNDLE ASS'Y
033	652023702	ADJUSTING KNOB
034	652023700	LOCK KNOB
035	652023699	SELF-LOCKING NUT
037	652023697	KEY
038	652023709	FEEDING BAFFLE PLATE
039	652023710	CYLINDER
040	652024822	FRONT COVER ASS'Y
041	652024823	SOCKET HEAD SCREW
042	652023717	SWITCH PRESSBOARD
043	652024828	PAN HEAD FLANGE SCREW
044	652023719	SWITCH ASS'Y
045	652023726	NYLON TIE
046	652024829	HEAD SHRINKABLE TUBE
047	652023728	INTERNAL TEETH SERRATED LOCK W
048	652023729	TAPPING SCREW

Nr.	Part nr.	Name
049	652023730	LOWER HOUSTING
050	652023731	MACHINE SCREW
051	652023747	TAPPING SCREW
052	652023680	TAPPING SCREW
053	652024836	
054	652025248	COLLECTION BOX ASS'Y (MAKITA)
055	652025249	PUSH BUTTON (MAKITA)
056	652023759	PUSH ROD
057	652024835	TAPPING SCREW
058	652024828	PAN HEAD FLANGE SCREW
059	652023757	PUSH BUTTON BASE
060	YA00000685	COLLECTION BOX (MAKITA)
061	652023736	FRAME ASS'Y
062	652023753	BOX COVER
063	652023752	CABLE PRESSBOARD
064	652024828	PAN HEAD FLANGE SCREW
065	652023751	SUPPORTING AXLE
066	652024833	BOLT
067	652023749	FRAME FIX PLATE
068	652023748	SUPPORTING FOOT
069	652024832	TAPPING SCREW
070	652024831	BOLT
071	652023745	BASE PLATE
072	652023744	SELF-LOCKING NUT
073	652023905	WHEEL CAP
074	652023742	PIN
075	652023741	RIGHT FRAME TUBE
076	652023740	WHEEL AXLE
077	652023739	LEFT FRAME TUBE
078	652023737	WHEEL
079	652023747	TAPPING SCREW
010-1	YA00000724	PRESSBOARD
036-1	YA00000706	FIXED SPRING SHEET



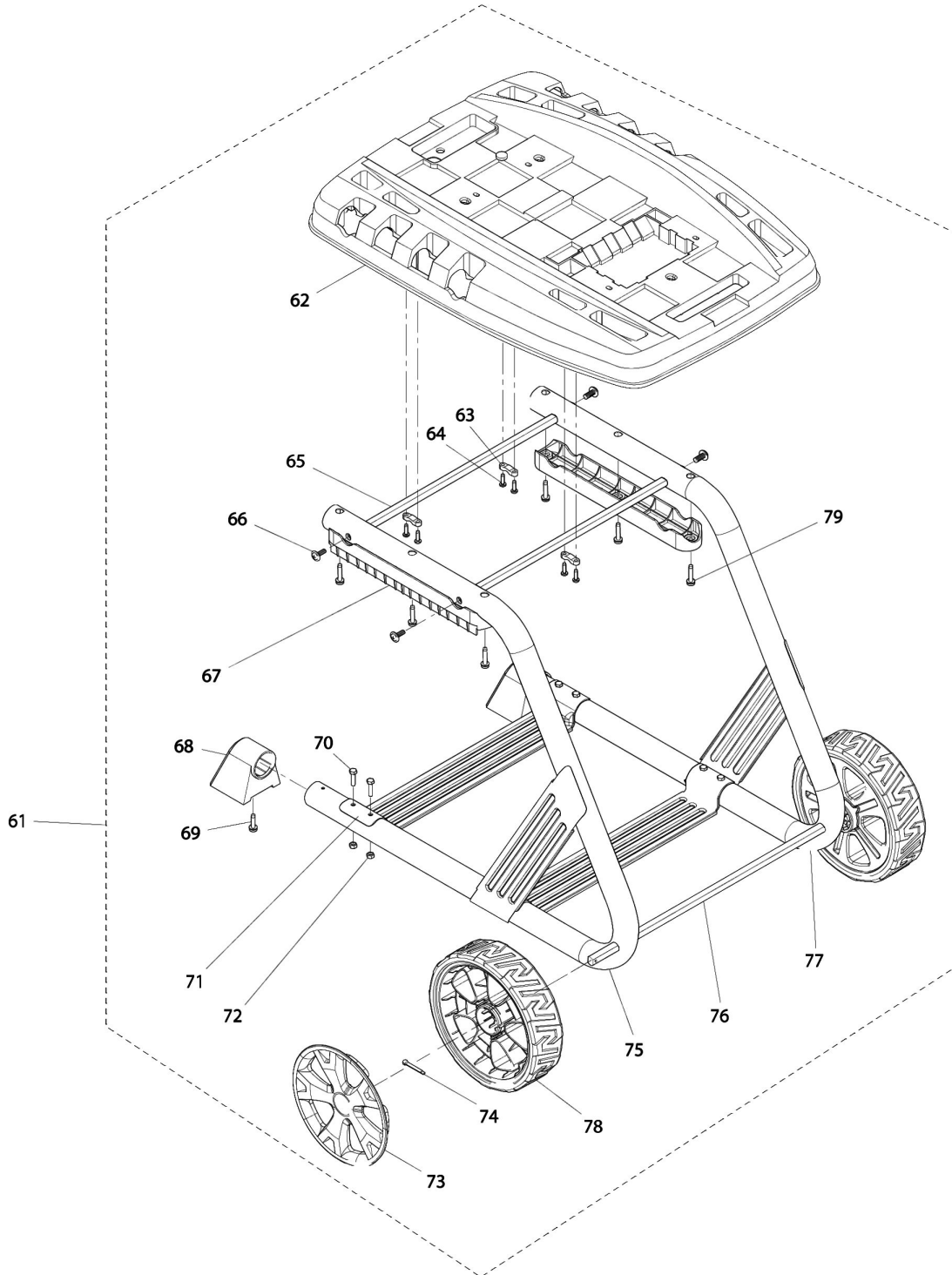
Nr.	Part nr.	Name
001	652023652	SWITCH BOX ASS'Y
002	652024820	HANDLE
003	652023653	TORX HEAD COUNTERSUNK HEAD SCR
004	652023654	SWITCH BOX UPPER COVER
005	652023655	WATER PROOF COVER
006	652023656	START BUTTON
007	652023657	STOP BOTTON
008	652023658	BUTTON
009	652023659	SPRING
011	652023661	FLANGE TAPPING SCREW
012	652023662	LIGHT GUIDE COVER
013	652023663	PCB BOARD
014	652023664	SWITCH BOX LOWER COVER
015	652023666	PLUG COVER ASS'Y
016	652023676	CONTROL PCB
017	652025247	UPPER HOUSING (MAKITA)
018	652023679	HOPPER
019	652023680	TAPPING SCREW
020	652024821	CAPACITOR
021	652024824	SAFTY SWITCH ASS'Y
022	652024825	MICRO SWITCH
023	652024826	2 CORE CONNECTION LINE
024	652024827	CONNECTION LINE
025	652023682	MOTOR ASS'Y
026	652023732	TRANSMISSION PART
027	YA00000696	FAN
028	YA00000699	ARMATURE Assy
029	YA00000700	INTERNAL GEAR ASS'Y
030	YA00000702	GEAR COMPLETE
031	YA00000701	SECONDARY GEAR
032	YA00000698	SPNDLE ASS'Y
033	652023702	ADJUSTING KNOB
034	652023700	LOCK KNOB
035	652023699	SELF-LOCKING NUT
037	652023697	KEY
038	652023709	FEEDING BAFFLE PLATE
039	652023710	CYLINDER
040	652024822	FRONT COVER ASS'Y
041	652024823	SOCKET HEAD SCREW
042	652023717	SWITCH PRESSBOARD
043	652024828	PAN HEAD FLANGE SCREW
044	652023719	SWITCH ASS'Y
045	652023726	NYLON TIE
046	652024829	HEAD SHRINKABLE TUBE
047	652023728	INTERNAL TEETH SERRATED LOCK W
048	652023729	TAPPING SCREW

Nr.	Part nr.	Name
049	652023730	LOWER HOUSTING
050	652023731	MACHINE SCREW
051	652023747	TAPPING SCREW
052	652023680	TAPPING SCREW
053	652024836	
054	652025248	COLLECTION BOX ASS'Y (MAKITA)
055	652025249	PUSH BUTTON (MAKITA)
056	652023759	PUSH ROD
057	652024835	TAPPING SCREW
058	652024828	PAN HEAD FLANGE SCREW
059	652023757	PUSH BUTTON BASE
060	YA00000685	COLLECTION BOX (MAKITA)
061	652023736	FRAME ASS'Y
062	652023753	BOX COVER
063	652023752	CABLE PRESSBOARD
064	652024828	PAN HEAD FLANGE SCREW
065	652023751	SUPPORTING AXLE
066	652024833	BOLT
067	652023749	FRAME FIX PLATE
068	652023748	SUPPORTING FOOT
069	652024832	TAPPING SCREW
070	652024831	BOLT
071	652023745	BASE PLATE
072	652023744	SELF-LOCKING NUT
073	652023905	WHEEL CAP
074	652023742	PIN
075	652023741	RIGHT FRAME TUBE
076	652023740	WHEEL AXLE
077	652023739	LEFT FRAME TUBE
078	652023737	WHEEL
079	652023747	TAPPING SCREW
010-1	YA00000724	PRESSBOARD
036-1	YA00000706	FIXED SPRING SHEET



Nr.	Part nr.	Name
001	652023652	SWITCH BOX ASS'Y
002	652024820	HANDLE
003	652023653	TORX HEAD COUNTERSUNK HEAD SCR
004	652023654	SWITCH BOX UPPER COVER
005	652023655	WATER PROOF COVER
006	652023656	START BUTTON
007	652023657	STOP BOTTON
008	652023658	BUTTON
009	652023659	SPRING
011	652023661	FLANGE TAPPING SCREW
012	652023662	LIGHT GUIDE COVER
013	652023663	PCB BOARD
014	652023664	SWITCH BOX LOWER COVER
015	652023666	PLUG COVER ASS'Y
016	652023676	CONTROL PCB
017	652025247	UPPER HOUSING (MAKITA)
018	652023679	HOPPER
019	652023680	TAPPING SCREW
020	652024821	CAPACITOR
021	652024824	SAFTY SWITCH ASS'Y
022	652024825	MICRO SWITCH
023	652024826	2 CORE CONNECTION LINE
024	652024827	CONNECTION LINE
025	652023682	MOTOR ASS'Y
026	652023732	TRANSMISSION PART
027	YA00000696	FAN
028	YA00000699	ARMATURE Assy
029	YA00000700	INTERNAL GEAR ASS'Y
030	YA00000702	GEAR COMPLETE
031	YA00000701	SECONDARY GEAR
032	YA00000698	SPNDLE ASS'Y
033	652023702	ADJUSTING KNOB
034	652023700	LOCK KNOB
035	652023699	SELF-LOCKING NUT
037	652023697	KEY
038	652023709	FEEDING BAFFLE PLATE
039	652023710	CYLINDER
040	652024822	FRONT COVER ASS'Y
041	652024823	SOCKET HEAD SCREW
042	652023717	SWITCH PRESSBOARD
043	652024828	PAN HEAD FLANGE SCREW
044	652023719	SWITCH ASS'Y
045	652023726	NYLON TIE
046	652024829	HEAD SHRINKABLE TUBE
047	652023728	INTERNAL TEETH SERRATED LOCK W
048	652023729	TAPPING SCREW

Nr.	Part nr.	Name
049	652023730	LOWER HOUSTING
050	652023731	MACHINE SCREW
051	652023747	TAPPING SCREW
052	652023680	TAPPING SCREW
053	652024836	
054	652025248	COLLECTION BOX ASS'Y (MAKITA)
055	652025249	PUSH BUTTON (MAKITA)
056	652023759	PUSH ROD
057	652024835	TAPPING SCREW
058	652024828	PAN HEAD FLANGE SCREW
059	652023757	PUSH BUTTON BASE
060	YA00000685	COLLECTION BOX (MAKITA)
061	652023736	FRAME ASS'Y
062	652023753	BOX COVER
063	652023752	CABLE PRESSBOARD
064	652024828	PAN HEAD FLANGE SCREW
065	652023751	SUPPORTING AXLE
066	652024833	BOLT
067	652023749	FRAME FIX PLATE
068	652023748	SUPPORTING FOOT
069	652024832	TAPPING SCREW
070	652024831	BOLT
071	652023745	BASE PLATE
072	652023744	SELF-LOCKING NUT
073	652023905	WHEEL CAP
074	652023742	PIN
075	652023741	RIGHT FRAME TUBE
076	652023740	WHEEL AXLE
077	652023739	LEFT FRAME TUBE
078	652023737	WHEEL
079	652023747	TAPPING SCREW
010-1	YA00000724	PRESSBOARD
036-1	YA00000706	FIXED SPRING SHEET



Nr.	Part nr.	Name
001	652023652	SWITCH BOX ASS'Y
002	652024820	HANDLE
003	652023653	TORX HEAD COUNTERSUNK HEAD SCR
004	652023654	SWITCH BOX UPPER COVER
005	652023655	WATER PROOF COVER
006	652023656	START BUTTON
007	652023657	STOP BOTTON
008	652023658	BUTTON
009	652023659	SPRING
011	652023661	FLANGE TAPPING SCREW
012	652023662	LIGHT GUIDE COVER
013	652023663	PCB BOARD
014	652023664	SWITCH BOX LOWER COVER
015	652023666	PLUG COVER ASS'Y
016	652023676	CONTROL PCB
017	652025247	UPPER HOUSING (MAKITA)
018	652023679	HOPPER
019	652023680	TAPPING SCREW
020	652024821	CAPACITOR
021	652024824	SAFTY SWITCH ASS'Y
022	652024825	MICRO SWITCH
023	652024826	2 CORE CONNECTION LINE
024	652024827	CONNECTION LINE
025	652023682	MOTOR ASS'Y
026	652023732	TRANSMISSION PART
027	YA00000696	FAN
028	YA00000699	ARMATURE Assy
029	YA00000700	INTERNAL GEAR ASS'Y
030	YA00000702	GEAR COMPLETE
031	YA00000701	SECONDARY GEAR
032	YA00000698	SPNDLE ASS'Y
033	652023702	ADJUSTING KNOB
034	652023700	LOCK KNOB
035	652023699	SELF-LOCKING NUT
037	652023697	KEY
038	652023709	FEEDING BAFFLE PLATE
039	652023710	CYLINDER
040	652024822	FRONT COVER ASS'Y
041	652024823	SOCKET HEAD SCREW
042	652023717	SWITCH PRESSBOARD
043	652024828	PAN HEAD FLANGE SCREW
044	652023719	SWITCH ASS'Y
045	652023726	NYLON TIE
046	652024829	HEAD SHRINKABLE TUBE
047	652023728	INTERNAL TEETH SERRATED LOCK W
048	652023729	TAPPING SCREW

Nr.	Part nr.	Name
049	652023730	LOWER HOUSTING
050	652023731	MACHINE SCREW
051	652023747	TAPPING SCREW
052	652023680	TAPPING SCREW
053	652024836	
054	652025248	COLLECTION BOX ASS'Y (MAKITA)
055	652025249	PUSH BUTTON (MAKITA)
056	652023759	PUSH ROD
057	652024835	TAPPING SCREW
058	652024828	PAN HEAD FLANGE SCREW
059	652023757	PUSH BUTTON BASE
060	YA00000685	COLLECTION BOX (MAKITA)
061	652023736	FRAME ASS'Y
062	652023753	BOX COVER
063	652023752	CABLE PRESSBOARD
064	652024828	PAN HEAD FLANGE SCREW
065	652023751	SUPPORTING AXLE
066	652024833	BOLT
067	652023749	FRAME FIX PLATE
068	652023748	SUPPORTING FOOT
069	652024832	TAPPING SCREW
070	652024831	BOLT
071	652023745	BASE PLATE
072	652023744	SELF-LOCKING NUT
073	652023905	WHEEL CAP
074	652023742	PIN
075	652023741	RIGHT FRAME TUBE
076	652023740	WHEEL AXLE
077	652023739	LEFT FRAME TUBE
078	652023737	WHEEL
079	652023747	TAPPING SCREW
010-1	YA00000724	PRESSBOARD
036-1	YA00000706	FIXED SPRING SHEET