

Nr.	Part nr.	Name
001	SH00000063	
002	SH00000064	
003	SH00000065	
004	SH00000066	FW COVER
007	SH00000069	SCREW(M4X8 MACHIN)
008	SH00000070	SB SCREW ASSY 2PCS
009	SH00000071	SCREW(M3X10)
010	SH00000071	SCREW(M3X10)
011	SH00000221	SCREW(M4X16)
012	SH00000221	SCREW(M4X16)
013	SH00000072	LOWER BODY ASSY
014	SH00000073	CONTROL PWB ASSY
015	SH00000241	RF MODULE
016	SH00000075	RF HOLDER
017	SH00000076	CONTROL HOLDER ASSY
018	SH00000078	AS PWB ASSY
019	SH00000079	BATTERY PWB ASSY
020	SH00000080	INSULATING SHEET
021	SH00000081	TERMINAL HOLDER L
022	SH00000082	TERMINAL HOLDER R
023	SH00000083	RUBBER PIN
024	SH00000083	RUBBER PIN
025	SH00000084	FRONT ROLLER SHAFT
026	SH00000085	FRONT ROLLER ASSY
032	SH00000222	SENSOR LENS SHEET
033	SH00000222	SENSOR LENS SHEET
035	SH00000222	SENSOR LENS SHEET
036	SH00000222	SENSOR LENS SHEET
037	SH00000222	SENSOR LENS SHEET
038	SH00000089	WEIGHT PLATE
039	SH00000090	BUMPER ANGLE L
041	SH00000092	BUMPER SPRING
042	SH00000092	BUMPER SPRING
043	SH00000093	SB UNIT L ASSY
044	SH00000094	SB UNIT R ASSY
045	SH00000095	PB SUPPORT S ASSY
046	SH00000096	MAIN WHEEL L ASSY
047	SH00000097	MAIN WHEEL R ASSY
048	SH00000098	WHEEL SPRING
049	SH00000098	WHEEL SPRING
050	SH00000099	AIR DUCT UNIT ASSY
051	SH00000101	BUMPER SW CABLE
052	SH00000101	BUMPER SW CABLE
053	SH00000223	COOLING FAN S ASSY
054	SH00000224	COOLING FAN SEAL
055	SH00000104	BATTERY CABLE L

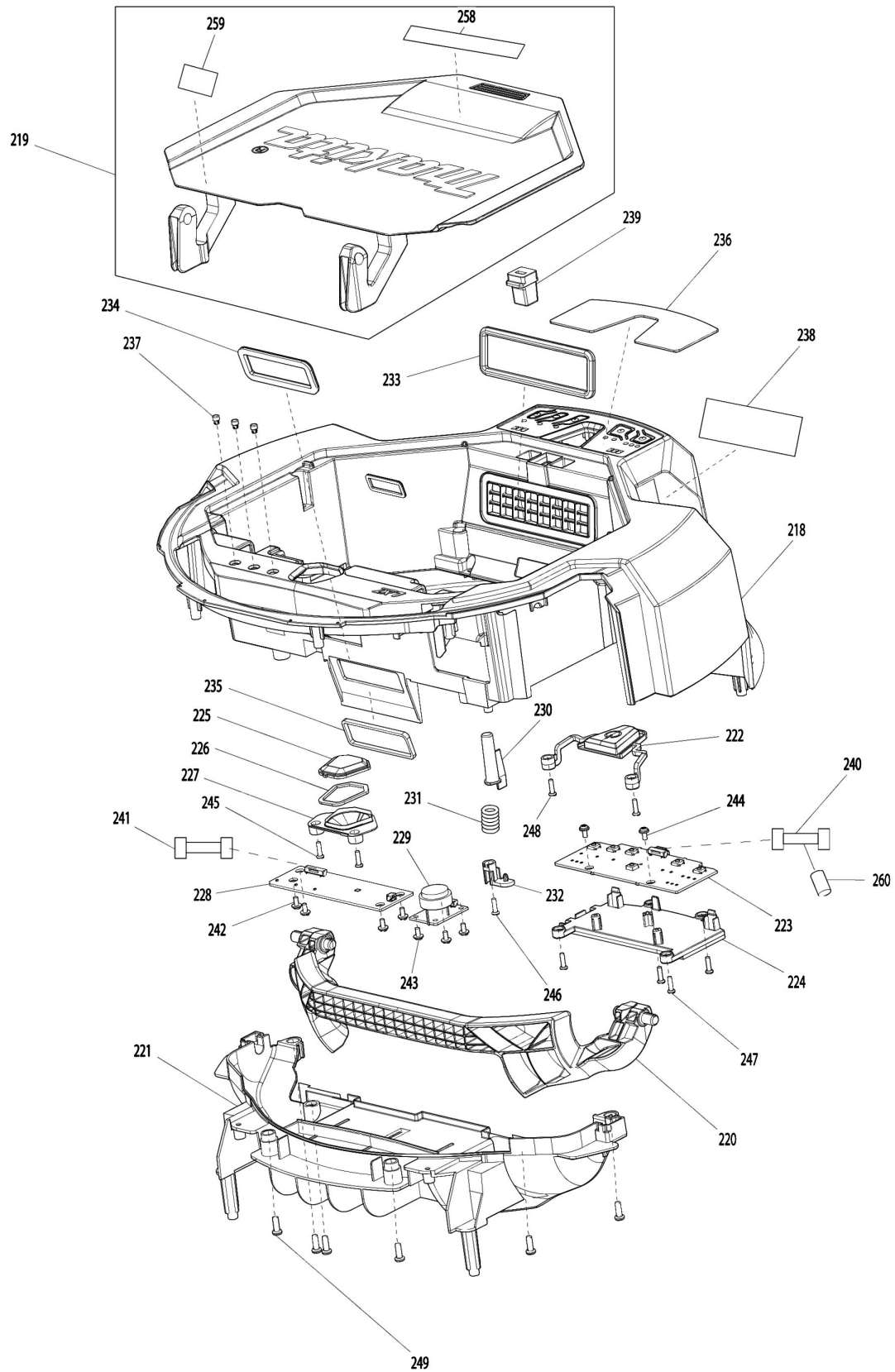
Nr.	Part nr.	Name
056	SH00000105	BATTERY CABLE R
057	SH00000106	BATTERY PS CABLE
058	SH00000107	BATTERY SIGNAL CABLE
059	SH00000108	BATTERY EARTH CABLE
060	SH00000109	AS CABLE
061	SH00000242	CLIFF SENSOR CABLE L
062	SH00000243	CLIFF SENSOR CABLE R
063	SH00000110	SCREW(M3X8XWASHER8)
064	SH00000110	SCREW(M3X8XWASHER8)
065	SH00000110	SCREW(M3X8XWASHER8)
066	SH00000111	SCREW(M4X10)
067	SH00000111	SCREW(M4X10)
068	SH00000111	SCREW(M4X10)
069	SH00000111	SCREW(M4X10)
070	SH00000111	SCREW(M4X10)
071	SH00000111	SCREW(M4X10)
072	SH00000111	SCREW(M4X10)
073	SH00000111	SCREW(M4X10)
074	SH00000111	SCREW(M4X10)
075	SH00000111	SCREW(M4X10)
076	SH00000111	SCREW(M4X10)
077	SH00000111	SCREW(M4X10)
078	SH00000111	SCREW(M4X10)
079	SH00000111	SCREW(M4X10)
080	SH00000111	SCREW(M4X10)
081	SH00000111	SCREW(M4X10)
082	SH00000111	SCREW(M4X10)
083	SH00000111	SCREW(M4X10)
084	SH00000112	WASHER(4.5X13XT1)
085	SH00000113	SCREW(M5X10XWASHER16)
088	SH00000226	PC WASHER
089	SH00000236	SENSOR LENZ SEAL
090	SH00000236	SENSOR LENZ SEAL
091	SH00000236	SENSOR LENZ SEAL
092	SH00000236	SENSOR LENZ SEAL
093	SH00000236	SENSOR LENZ SEAL
094	SH00000236	SENSOR LENZ SEAL
095	SH00000244	FERRITE CORE
101	SH00000114	MOTOR S ASSY
102	SH00000115	SB MOTOR HOLDER L
103	SH00000116	SB MOTOR COVER
104	SH00000117	SB METAL
105	SH00000118	SB GEAR 4 ASSY
106	SH00000119	SB GEAR 3
107	SH00000120	SB GEAR 2
108	SH00000121	COMMON SHAFT 1

Nr.	Part nr.	Name
109	SH00000122	SB GEAR SHAFT 1
110	SH00000123	SCREW(M2.6X4 MACHINE)
111	SH00000124	SIDE BRUSH CABLE
112	SH00000071	SCREW(M3X10)
113	SH00000227	MOTOR SEAL
114	SH00000114	MOTOR S ASSY
115	SH00000125	SB MOTOR HOLDER R
116	SH00000116	SB MOTOR COVER
117	SH00000117	SB METAL
118	SH00000120	SB GEAR 2
119	SH00000119	SB GEAR 3
120	SH00000118	SB GEAR 4 ASSY
121	SH00000121	COMMON SHAFT 1
122	SH00000122	SB GEAR SHAFT 1
123	SH00000123	SCREW(M2.6X4 MACHINE)
124	SH00000124	SIDE BRUSH CABLE
125	SH00000071	SCREW(M3X10)
126	SH00000227	MOTOR SEAL
127	SH00000126	PB MOTOR D ASSY
128	SH00000127	PB SUPPORT COVER K
129	SH00000129	PB BELT GEAR 2
130	SH00000130	BELT GEAR SHAFT
131	SH00000131	PB BELT GEAR 3
132	SH00000132	PB HOLDER ASSY
133	SH00000133	BEARING
134	SH00000133	BEARING
135	SH00000134	P WASHER 050
136	SH00000134	P WASHER 050
138	SH00000136	TIMING BELT
139	SH00000137	PB MOTOR CABLE
140	SH00000071	SCREW(M3X10)
141	SH00000139	MAIN WHEEL L UNIT
142	SH00000152	MAIN WHEEL SHAFT
143	SH00000071	SCREW(M3X10)
144	SH00000229	SCREW(M3X10)
145	SH00000227	MOTOR SEAL
146	SH00000150	WHEEL L ASSY
147	SH00000140	WHEEL GEAR BOX L
148	SH00000141	WHEEL GEAR COVER L
149	SH00000142	MW MOTOR S ASSY
150	SH00000143	WHEEL METAL RING
151	SH00000144	WHEEL GEAR 2
152	SH00000145	WHEEL GEAR 3
153	SH00000146	WHEEL GEAR 4
154	SH00000147	WHEEL GEAR 5
155	SH00000148	WHEEL GEAR SHAFT 1

Nr.	Part nr.	Name
156	SH00000151	WHEEL L UNIT COVER
157	SH00000153	WHEEL CABLE
158	SH00000123	SCREW(M2.6X4 MACHINE)
160	SH00000154	MAIN WHEEL R UNIT
161	SH00000152	MAIN WHEEL SHAFT
162	SH00000071	SCREW(M3X10)
163	SH00000229	SCREW(M3X10)
164	SH00000227	MOTOR SEAL
165	SH00000157	WHEEL R ASSY
166	SH00000155	WHEEL GEAR BOX R
167	SH00000156	WHEEL GEAR COVER R
168	SH00000142	MW MOTOR S ASSY
169	SH00000143	WHEEL METAL RING
170	SH00000144	WHEEL GEAR 2
171	SH00000145	WHEEL GEAR 3
172	SH00000146	WHEEL GEAR 4
173	SH00000147	WHEEL GEAR 5
174	SH00000148	WHEEL GEAR SHAFT 1
175	SH00000158	WHEEL R UNIT COVER
176	SH00000153	WHEEL CABLE
177	SH00000123	SCREW(M2.6X4 MACHINE)
178	SH00000159	AIR DUCT FRONT
179	SH00000160	AIR DUCT REAR
180	SH00000161	FAN MOTOR UNIT ASSY
181	SH00000162	FAN CUSHION
182	SH00000077	PHOTO SENSOR
183	SH00000163	INTAKE SEAL
184	SH00000164	CUP SENSOR CABLE
185	SH00000165	FAN MOTOR CABLE
186	SH00000111	SCREW(M4X10)
187	SH00000166	REAR CASTER FRAME
188	SH00000167	REAR CASTER SHAFT
189	SH00000135	U RING
190	SH00000168	CASTER ASSY
191	SH00000169	BUMPER
192	SH00000170	BUMPER DECO
193	SH00000171	US HOLDER C ASSY
194	SH00000172	US HOLDER L1 ASSY
195	SH00000173	US HOLDER L2 ASSY
196	SH00000174	US HOLDER L3 ASSY
197	SH00000175	US HOLDER R1 ASSY
198	SH00000176	US HOLDER R2 ASSY
199	SH00000177	US HOLDER R3 ASSY
200	SH00000245	US CABLE C
201	SH00000179	US CABLE 1
202	SH00000179	US CABLE 1

Nr.	Part nr.	Name
203	SH00000180	US CABLE 2
204	SH00000180	US CABLE 2
205	SH00000181	US CABLE 3
206	SH00000181	US CABLE 3
207	SH00000182	US EARTH CABLE
208	SH00000183	WASHER(4.5/25/T1)
209	SH00000111	SCREW(M4X10)
211	SH00000184	SCREW(M3X6)
212	SH00000184	SCREW(M3X6)
213	SH00000184	SCREW(M3X6)
214	SH00000184	SCREW(M3X6)
215	SH00000184	SCREW(M3X6)
216	SH00000184	SCREW(M3X6)
217	SH00000184	SCREW(M3X6)
218	SH00000185	UPPER BODY
219	SH00000247	CASE COVER K
220	SH00000187	HANDLE
222	SH00000189	UI BUTTON
223	SH00000190	UI PWB ASSY
224	SH00000191	UI PWB HOLDER
225	SH00000192	LED LENS L
226	SH00000193	LED LENS SEAL
227	SH00000194	LED REFLECTOR
228	SH00000195	LED PWB ASSY
229	SH00000196	BUZZER PWB ASSY
231	SH00000198	FILTER BUTTON SP
233	SH00000200	INTAKE PACKING
234	SH00000201	NOZZLE PACKING
235	SH00000202	NOZZLE SEAL
236	SH00000248	UI KEY SHEET
237	SH00000204	LED LENS S
238	SH00000205	EXHAUST FILTER ASSY
239	SH00000206	CATCH LATCH
240	SH00000249	UI CABLE
241	SH00000208	LED CABLE
242	SH00000110	SCREW(M3X8XWASHER8)
243	SH00000110	SCREW(M3X8XWASHER8)
244	SH00000110	SCREW(M3X8XWASHER8)
245	SH00000184	SCREW(M3X6)
246	SH00000071	SCREW(M3X10)
247	SH00000071	SCREW(M3X10)
248	SH00000071	SCREW(M3X10)
249	SH00000111	SCREW(M4X10)
250	SH00000209	DUST BOX LOWER
251	SH00000210	DUST CASE
252	SH00000211	DUST SEAL RING

Nr.	Part nr.	Name
253	SH00000212	DUST BOX UPPER
254	SH00000213	
255	SH00000214	DUST BOX COVER
256	SH00000215	DUST SLIDE LEVER
257	SH00000216	DUST BOX PIN
258	SH00000252	CAUTION LABEL
259	SH00000253	ROBOPRO LABEL
260	SH00000244	FERRITE CORE
261	SH00000244	FERRITE CORE
300	SH00000219	RF CONTROLLER ASSY
301	SH00000231	
005-1	SH00000267	CABLE COVER R
006-1	SH00000268	CABLE COVER
027-1	SH00000278	IR SENSOR C ASSY
028-1	SH00000278	IR SENSOR C ASSY
029-1	SH00000279	IR SENSOR S ASSY
030-1	SH00000279	IR SENSOR S ASSY
031-1	SH00000280	BL SENSOR ASSY
040-1	SH00000277	BUMPER ANGLE R
086-1	643523-1	TERMINAL
087-1	643523-1	TERMINAL
137-1	SH00000228	E RING
210-1	SH00000184	SCREW(M3X6)
221-1	SH00000269	HANDLE COVER
230-1	SH00000270	FILTER BUTTON
232-1	SH00000271	FILTER BUTTON HOLDER



Nr.	Part nr.	Name
001	SH00000063	
002	SH00000064	
003	SH00000065	
004	SH00000066	FW COVER
007	SH00000069	SCREW(M4X8 MACHIN)
008	SH00000070	SB SCREW ASSY 2PCS
009	SH00000071	SCREW(M3X10)
010	SH00000071	SCREW(M3X10)
011	SH00000221	SCREW(M4X16)
012	SH00000221	SCREW(M4X16)
013	SH00000072	LOWER BODY ASSY
014	SH00000073	CONTROL PWB ASSY
015	SH00000241	RF MODULE
016	SH00000075	RF HOLDER
017	SH00000076	CONTROL HOLDER ASSY
018	SH00000078	AS PWB ASSY
019	SH00000079	BATTERY PWB ASSY
020	SH00000080	INSULATING SHEET
021	SH00000081	TERMINAL HOLDER L
022	SH00000082	TERMINAL HOLDER R
023	SH00000083	RUBBER PIN
024	SH00000083	RUBBER PIN
025	SH00000084	FRONT ROLLER SHAFT
026	SH00000085	FRONT ROLLER ASSY
032	SH00000222	SENSOR LENS SHEET
033	SH00000222	SENSOR LENS SHEET
035	SH00000222	SENSOR LENS SHEET
036	SH00000222	SENSOR LENS SHEET
037	SH00000222	SENSOR LENS SHEET
038	SH00000089	WEIGHT PLATE
039	SH00000090	BUMPER ANGLE L
041	SH00000092	BUMPER SPRING
042	SH00000092	BUMPER SPRING
043	SH00000093	SB UNIT L ASSY
044	SH00000094	SB UNIT R ASSY
045	SH00000095	PB SUPPORT S ASSY
046	SH00000096	MAIN WHEEL L ASSY
047	SH00000097	MAIN WHEEL R ASSY
048	SH00000098	WHEEL SPRING
049	SH00000098	WHEEL SPRING
050	SH00000099	AIR DUCT UNIT ASSY
051	SH00000101	BUMPER SW CABLE
052	SH00000101	BUMPER SW CABLE
053	SH00000223	COOLING FAN S ASSY
054	SH00000224	COOLING FAN SEAL
055	SH00000104	BATTERY CABLE L

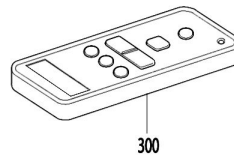
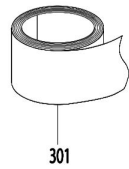
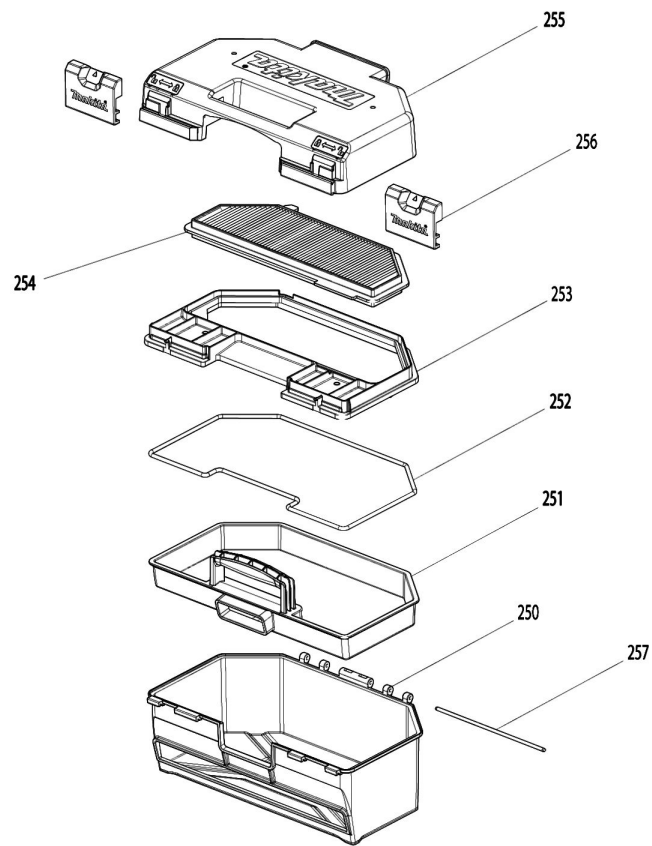
Nr.	Part nr.	Name
056	SH00000105	BATTERY CABLE R
057	SH00000106	BATTERY PS CABLE
058	SH00000107	BATTERY SIGNAL CABLE
059	SH00000108	BATTERY EARTH CABLE
060	SH00000109	AS CABLE
061	SH00000242	CLIFF SENSOR CABLE L
062	SH00000243	CLIFF SENSOR CABLE R
063	SH00000110	SCREW(M3X8XWASHER8)
064	SH00000110	SCREW(M3X8XWASHER8)
065	SH00000110	SCREW(M3X8XWASHER8)
066	SH00000111	SCREW(M4X10)
067	SH00000111	SCREW(M4X10)
068	SH00000111	SCREW(M4X10)
069	SH00000111	SCREW(M4X10)
070	SH00000111	SCREW(M4X10)
071	SH00000111	SCREW(M4X10)
072	SH00000111	SCREW(M4X10)
073	SH00000111	SCREW(M4X10)
074	SH00000111	SCREW(M4X10)
075	SH00000111	SCREW(M4X10)
076	SH00000111	SCREW(M4X10)
077	SH00000111	SCREW(M4X10)
078	SH00000111	SCREW(M4X10)
079	SH00000111	SCREW(M4X10)
080	SH00000111	SCREW(M4X10)
081	SH00000111	SCREW(M4X10)
082	SH00000111	SCREW(M4X10)
083	SH00000111	SCREW(M4X10)
084	SH00000112	WASHER(4.5X13XT1)
085	SH00000113	SCREW(M5X10XWASHER16)
088	SH00000226	PC WASHER
089	SH00000236	SENSOR LENZ SEAL
090	SH00000236	SENSOR LENZ SEAL
091	SH00000236	SENSOR LENZ SEAL
092	SH00000236	SENSOR LENZ SEAL
093	SH00000236	SENSOR LENZ SEAL
094	SH00000236	SENSOR LENZ SEAL
095	SH00000244	FERRITE CORE
101	SH00000114	MOTOR S ASSY
102	SH00000115	SB MOTOR HOLDER L
103	SH00000116	SB MOTOR COVER
104	SH00000117	SB METAL
105	SH00000118	SB GEAR 4 ASSY
106	SH00000119	SB GEAR 3
107	SH00000120	SB GEAR 2
108	SH00000121	COMMON SHAFT 1

Nr.	Part nr.	Name
109	SH00000122	SB GEAR SHAFT 1
110	SH00000123	SCREW(M2.6X4 MACHINE)
111	SH00000124	SIDE BRUSH CABLE
112	SH00000071	SCREW(M3X10)
113	SH00000227	MOTOR SEAL
114	SH00000114	MOTOR S ASSY
115	SH00000125	SB MOTOR HOLDER R
116	SH00000116	SB MOTOR COVER
117	SH00000117	SB METAL
118	SH00000120	SB GEAR 2
119	SH00000119	SB GEAR 3
120	SH00000118	SB GEAR 4 ASSY
121	SH00000121	COMMON SHAFT 1
122	SH00000122	SB GEAR SHAFT 1
123	SH00000123	SCREW(M2.6X4 MACHINE)
124	SH00000124	SIDE BRUSH CABLE
125	SH00000071	SCREW(M3X10)
126	SH00000227	MOTOR SEAL
127	SH00000126	PB MOTOR D ASSY
128	SH00000127	PB SUPPORT COVER K
129	SH00000129	PB BELT GEAR 2
130	SH00000130	BELT GEAR SHAFT
131	SH00000131	PB BELT GEAR 3
132	SH00000132	PB HOLDER ASSY
133	SH00000133	BEARING
134	SH00000133	BEARING
135	SH00000134	P WASHER 050
136	SH00000134	P WASHER 050
138	SH00000136	TIMING BELT
139	SH00000137	PB MOTOR CABLE
140	SH00000071	SCREW(M3X10)
141	SH00000139	MAIN WHEEL L UNIT
142	SH00000152	MAIN WHEEL SHAFT
143	SH00000071	SCREW(M3X10)
144	SH00000229	SCREW(M3X10)
145	SH00000227	MOTOR SEAL
146	SH00000150	WHEEL L ASSY
147	SH00000140	WHEEL GEAR BOX L
148	SH00000141	WHEEL GEAR COVER L
149	SH00000142	MW MOTOR S ASSY
150	SH00000143	WHEEL METAL RING
151	SH00000144	WHEEL GEAR 2
152	SH00000145	WHEEL GEAR 3
153	SH00000146	WHEEL GEAR 4
154	SH00000147	WHEEL GEAR 5
155	SH00000148	WHEEL GEAR SHAFT 1

Nr.	Part nr.	Name
156	SH00000151	WHEEL L UNIT COVER
157	SH00000153	WHEEL CABLE
158	SH00000123	SCREW(M2.6X4 MACHINE)
160	SH00000154	MAIN WHEEL R UNIT
161	SH00000152	MAIN WHEEL SHAFT
162	SH00000071	SCREW(M3X10)
163	SH00000229	SCREW(M3X10)
164	SH00000227	MOTOR SEAL
165	SH00000157	WHEEL R ASSY
166	SH00000155	WHEEL GEAR BOX R
167	SH00000156	WHEEL GEAR COVER R
168	SH00000142	MW MOTOR S ASSY
169	SH00000143	WHEEL METAL RING
170	SH00000144	WHEEL GEAR 2
171	SH00000145	WHEEL GEAR 3
172	SH00000146	WHEEL GEAR 4
173	SH00000147	WHEEL GEAR 5
174	SH00000148	WHEEL GEAR SHAFT 1
175	SH00000158	WHEEL R UNIT COVER
176	SH00000153	WHEEL CABLE
177	SH00000123	SCREW(M2.6X4 MACHINE)
178	SH00000159	AIR DUCT FRONT
179	SH00000160	AIR DUCT REAR
180	SH00000161	FAN MOTOR UNIT ASSY
181	SH00000162	FAN CUSHION
182	SH00000077	PHOTO SENSOR
183	SH00000163	INTAKE SEAL
184	SH00000164	CUP SENSOR CABLE
185	SH00000165	FAN MOTOR CABLE
186	SH00000111	SCREW(M4X10)
187	SH00000166	REAR CASTER FRAME
188	SH00000167	REAR CASTER SHAFT
189	SH00000135	U RING
190	SH00000168	CASTER ASSY
191	SH00000169	BUMPER
192	SH00000170	BUMPER DECO
193	SH00000171	US HOLDER C ASSY
194	SH00000172	US HOLDER L1 ASSY
195	SH00000173	US HOLDER L2 ASSY
196	SH00000174	US HOLDER L3 ASSY
197	SH00000175	US HOLDER R1 ASSY
198	SH00000176	US HOLDER R2 ASSY
199	SH00000177	US HOLDER R3 ASSY
200	SH00000245	US CABLE C
201	SH00000179	US CABLE 1
202	SH00000179	US CABLE 1

Nr.	Part nr.	Name
203	SH00000180	US CABLE 2
204	SH00000180	US CABLE 2
205	SH00000181	US CABLE 3
206	SH00000181	US CABLE 3
207	SH00000182	US EARTH CABLE
208	SH00000183	WASHER(4.5/25/T1)
209	SH00000111	SCREW(M4X10)
211	SH00000184	SCREW(M3X6)
212	SH00000184	SCREW(M3X6)
213	SH00000184	SCREW(M3X6)
214	SH00000184	SCREW(M3X6)
215	SH00000184	SCREW(M3X6)
216	SH00000184	SCREW(M3X6)
217	SH00000184	SCREW(M3X6)
218	SH00000185	UPPER BODY
219	SH00000247	CASE COVER K
220	SH00000187	HANDLE
222	SH00000189	UI BUTTON
223	SH00000190	UI PWB ASSY
224	SH00000191	UI PWB HOLDER
225	SH00000192	LED LENS L
226	SH00000193	LED LENS SEAL
227	SH00000194	LED REFLECTOR
228	SH00000195	LED PWB ASSY
229	SH00000196	BUZZER PWB ASSY
231	SH00000198	FILTER BUTTON SP
233	SH00000200	INTAKE PACKING
234	SH00000201	NOZZLE PACKING
235	SH00000202	NOZZLE SEAL
236	SH00000248	UI KEY SHEET
237	SH00000204	LED LENS S
238	SH00000205	EXHAUST FILTER ASSY
239	SH00000206	CATCH LATCH
240	SH00000249	UI CABLE
241	SH00000208	LED CABLE
242	SH00000110	SCREW(M3X8XWASHER8)
243	SH00000110	SCREW(M3X8XWASHER8)
244	SH00000110	SCREW(M3X8XWASHER8)
245	SH00000184	SCREW(M3X6)
246	SH00000071	SCREW(M3X10)
247	SH00000071	SCREW(M3X10)
248	SH00000071	SCREW(M3X10)
249	SH00000111	SCREW(M4X10)
250	SH00000209	DUST BOX LOWER
251	SH00000210	DUST CASE
252	SH00000211	DUST SEAL RING

Nr.	Part nr.	Name
253	SH00000212	DUST BOX UPPER
254	SH00000213	
255	SH00000214	DUST BOX COVER
256	SH00000215	DUST SLIDE LEVER
257	SH00000216	DUST BOX PIN
258	SH00000252	CAUTION LABEL
259	SH00000253	ROBOPRO LABEL
260	SH00000244	FERRITE CORE
261	SH00000244	FERRITE CORE
300	SH00000219	RF CONTROLLER ASSY
301	SH00000231	
005-1	SH00000267	CABLE COVER R
006-1	SH00000268	CABLE COVER
027-1	SH00000278	IR SENSOR C ASSY
028-1	SH00000278	IR SENSOR C ASSY
029-1	SH00000279	IR SENSOR S ASSY
030-1	SH00000279	IR SENSOR S ASSY
031-1	SH00000280	BL SENSOR ASSY
040-1	SH00000277	BUMPER ANGLE R
086-1	643523-1	TERMINAL
087-1	643523-1	TERMINAL
137-1	SH00000228	E RING
210-1	SH00000184	SCREW(M3X6)
221-1	SH00000269	HANDLE COVER
230-1	SH00000270	FILTER BUTTON
232-1	SH00000271	FILTER BUTTON HOLDER



Nr.	Part nr.	Name
001	SH00000063	
002	SH00000064	
003	SH00000065	
004	SH00000066	FW COVER
007	SH00000069	SCREW(M4X8 MACHIN)
008	SH00000070	SB SCREW ASSY 2PCS
009	SH00000071	SCREW(M3X10)
010	SH00000071	SCREW(M3X10)
011	SH00000221	SCREW(M4X16)
012	SH00000221	SCREW(M4X16)
013	SH00000072	LOWER BODY ASSY
014	SH00000073	CONTROL PWB ASSY
015	SH00000241	RF MODULE
016	SH00000075	RF HOLDER
017	SH00000076	CONTROL HOLDER ASSY
018	SH00000078	AS PWB ASSY
019	SH00000079	BATTERY PWB ASSY
020	SH00000080	INSULATING SHEET
021	SH00000081	TERMINAL HOLDER L
022	SH00000082	TERMINAL HOLDER R
023	SH00000083	RUBBER PIN
024	SH00000083	RUBBER PIN
025	SH00000084	FRONT ROLLER SHAFT
026	SH00000085	FRONT ROLLER ASSY
032	SH00000222	SENSOR LENS SHEET
033	SH00000222	SENSOR LENS SHEET
035	SH00000222	SENSOR LENS SHEET
036	SH00000222	SENSOR LENS SHEET
037	SH00000222	SENSOR LENS SHEET
038	SH00000089	WEIGHT PLATE
039	SH00000090	BUMPER ANGLE L
041	SH00000092	BUMPER SPRING
042	SH00000092	BUMPER SPRING
043	SH00000093	SB UNIT L ASSY
044	SH00000094	SB UNIT R ASSY
045	SH00000095	PB SUPPORT S ASSY
046	SH00000096	MAIN WHEEL L ASSY
047	SH00000097	MAIN WHEEL R ASSY
048	SH00000098	WHEEL SPRING
049	SH00000098	WHEEL SPRING
050	SH00000099	AIR DUCT UNIT ASSY
051	SH00000101	BUMPER SW CABLE
052	SH00000101	BUMPER SW CABLE
053	SH00000223	COOLING FAN S ASSY
054	SH00000224	COOLING FAN SEAL
055	SH00000104	BATTERY CABLE L

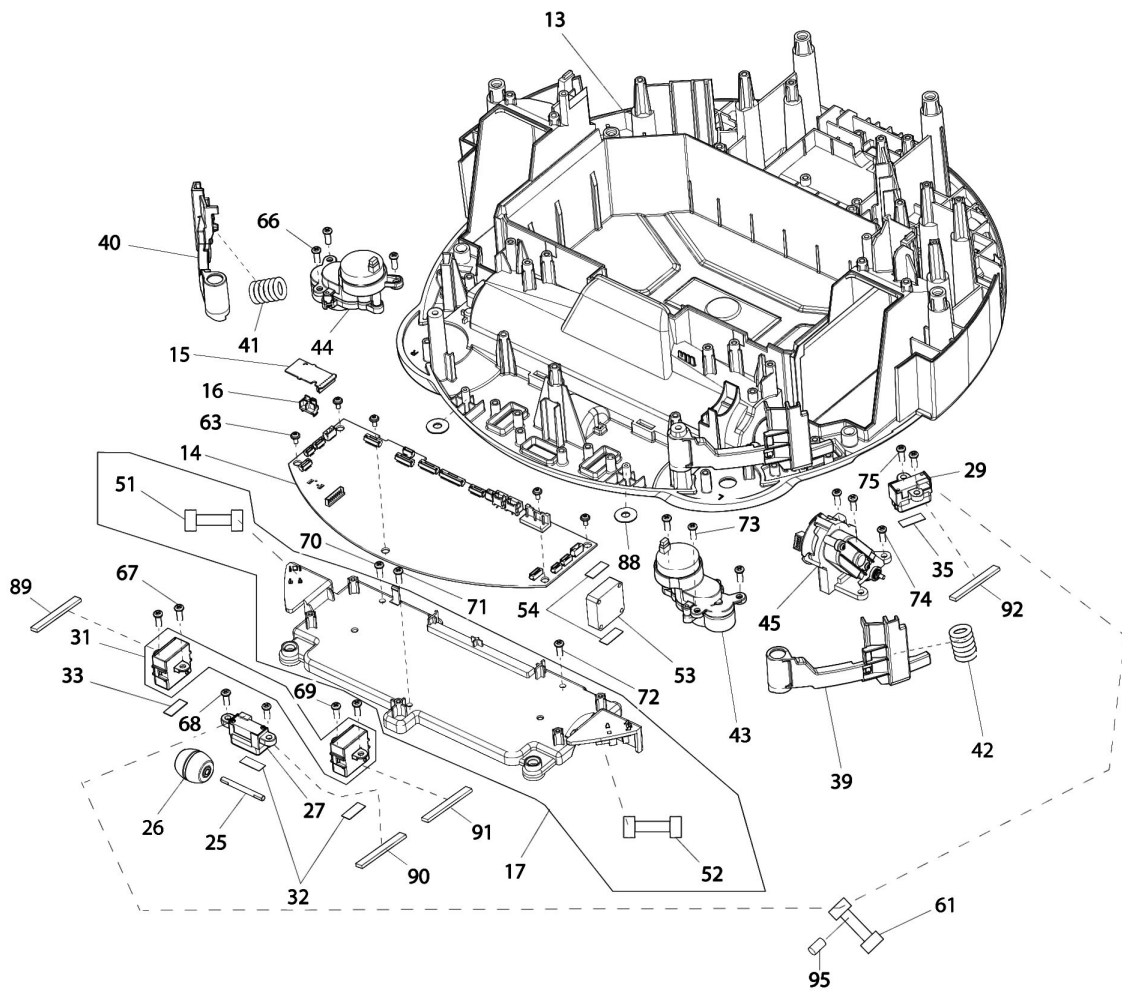
Nr.	Part nr.	Name
056	SH00000105	BATTERY CABLE R
057	SH00000106	BATTERY PS CABLE
058	SH00000107	BATTERY SIGNAL CABLE
059	SH00000108	BATTERY EARTH CABLE
060	SH00000109	AS CABLE
061	SH00000242	CLIFF SENSOR CABLE L
062	SH00000243	CLIFF SENSOR CABLE R
063	SH00000110	SCREW(M3X8XWASHER8)
064	SH00000110	SCREW(M3X8XWASHER8)
065	SH00000110	SCREW(M3X8XWASHER8)
066	SH00000111	SCREW(M4X10)
067	SH00000111	SCREW(M4X10)
068	SH00000111	SCREW(M4X10)
069	SH00000111	SCREW(M4X10)
070	SH00000111	SCREW(M4X10)
071	SH00000111	SCREW(M4X10)
072	SH00000111	SCREW(M4X10)
073	SH00000111	SCREW(M4X10)
074	SH00000111	SCREW(M4X10)
075	SH00000111	SCREW(M4X10)
076	SH00000111	SCREW(M4X10)
077	SH00000111	SCREW(M4X10)
078	SH00000111	SCREW(M4X10)
079	SH00000111	SCREW(M4X10)
080	SH00000111	SCREW(M4X10)
081	SH00000111	SCREW(M4X10)
082	SH00000111	SCREW(M4X10)
083	SH00000111	SCREW(M4X10)
084	SH00000112	WASHER(4.5X13XT1)
085	SH00000113	SCREW(M5X10XWASHER16)
088	SH00000226	PC WASHER
089	SH00000236	SENSOR LENZ SEAL
090	SH00000236	SENSOR LENZ SEAL
091	SH00000236	SENSOR LENZ SEAL
092	SH00000236	SENSOR LENZ SEAL
093	SH00000236	SENSOR LENZ SEAL
094	SH00000236	SENSOR LENZ SEAL
095	SH00000244	FERRITE CORE
101	SH00000114	MOTOR S ASSY
102	SH00000115	SB MOTOR HOLDER L
103	SH00000116	SB MOTOR COVER
104	SH00000117	SB METAL
105	SH00000118	SB GEAR 4 ASSY
106	SH00000119	SB GEAR 3
107	SH00000120	SB GEAR 2
108	SH00000121	COMMON SHAFT 1

Nr.	Part nr.	Name
109	SH00000122	SB GEAR SHAFT 1
110	SH00000123	SCREW(M2.6X4 MACHINE)
111	SH00000124	SIDE BRUSH CABLE
112	SH00000071	SCREW(M3X10)
113	SH00000227	MOTOR SEAL
114	SH00000114	MOTOR S ASSY
115	SH00000125	SB MOTOR HOLDER R
116	SH00000116	SB MOTOR COVER
117	SH00000117	SB METAL
118	SH00000120	SB GEAR 2
119	SH00000119	SB GEAR 3
120	SH00000118	SB GEAR 4 ASSY
121	SH00000121	COMMON SHAFT 1
122	SH00000122	SB GEAR SHAFT 1
123	SH00000123	SCREW(M2.6X4 MACHINE)
124	SH00000124	SIDE BRUSH CABLE
125	SH00000071	SCREW(M3X10)
126	SH00000227	MOTOR SEAL
127	SH00000126	PB MOTOR D ASSY
128	SH00000127	PB SUPPORT COVER K
129	SH00000129	PB BELT GEAR 2
130	SH00000130	BELT GEAR SHAFT
131	SH00000131	PB BELT GEAR 3
132	SH00000132	PB HOLDER ASSY
133	SH00000133	BEARING
134	SH00000133	BEARING
135	SH00000134	P WASHER 050
136	SH00000134	P WASHER 050
138	SH00000136	TIMING BELT
139	SH00000137	PB MOTOR CABLE
140	SH00000071	SCREW(M3X10)
141	SH00000139	MAIN WHEEL L UNIT
142	SH00000152	MAIN WHEEL SHAFT
143	SH00000071	SCREW(M3X10)
144	SH00000229	SCREW(M3X10)
145	SH00000227	MOTOR SEAL
146	SH00000150	WHEEL L ASSY
147	SH00000140	WHEEL GEAR BOX L
148	SH00000141	WHEEL GEAR COVER L
149	SH00000142	MW MOTOR S ASSY
150	SH00000143	WHEEL METAL RING
151	SH00000144	WHEEL GEAR 2
152	SH00000145	WHEEL GEAR 3
153	SH00000146	WHEEL GEAR 4
154	SH00000147	WHEEL GEAR 5
155	SH00000148	WHEEL GEAR SHAFT 1

Nr.	Part nr.	Name
156	SH00000151	WHEEL L UNIT COVER
157	SH00000153	WHEEL CABLE
158	SH00000123	SCREW(M2.6X4 MACHINE)
160	SH00000154	MAIN WHEEL R UNIT
161	SH00000152	MAIN WHEEL SHAFT
162	SH00000071	SCREW(M3X10)
163	SH00000229	SCREW(M3X10)
164	SH00000227	MOTOR SEAL
165	SH00000157	WHEEL R ASSY
166	SH00000155	WHEEL GEAR BOX R
167	SH00000156	WHEEL GEAR COVER R
168	SH00000142	MW MOTOR S ASSY
169	SH00000143	WHEEL METAL RING
170	SH00000144	WHEEL GEAR 2
171	SH00000145	WHEEL GEAR 3
172	SH00000146	WHEEL GEAR 4
173	SH00000147	WHEEL GEAR 5
174	SH00000148	WHEEL GEAR SHAFT 1
175	SH00000158	WHEEL R UNIT COVER
176	SH00000153	WHEEL CABLE
177	SH00000123	SCREW(M2.6X4 MACHINE)
178	SH00000159	AIR DUCT FRONT
179	SH00000160	AIR DUCT REAR
180	SH00000161	FAN MOTOR UNIT ASSY
181	SH00000162	FAN CUSHION
182	SH00000077	PHOTO SENSOR
183	SH00000163	INTAKE SEAL
184	SH00000164	CUP SENSOR CABLE
185	SH00000165	FAN MOTOR CABLE
186	SH00000111	SCREW(M4X10)
187	SH00000166	REAR CASTER FRAME
188	SH00000167	REAR CASTER SHAFT
189	SH00000135	U RING
190	SH00000168	CASTER ASSY
191	SH00000169	BUMPER
192	SH00000170	BUMPER DECO
193	SH00000171	US HOLDER C ASSY
194	SH00000172	US HOLDER L1 ASSY
195	SH00000173	US HOLDER L2 ASSY
196	SH00000174	US HOLDER L3 ASSY
197	SH00000175	US HOLDER R1 ASSY
198	SH00000176	US HOLDER R2 ASSY
199	SH00000177	US HOLDER R3 ASSY
200	SH00000245	US CABLE C
201	SH00000179	US CABLE 1
202	SH00000179	US CABLE 1

Nr.	Part nr.	Name
203	SH00000180	US CABLE 2
204	SH00000180	US CABLE 2
205	SH00000181	US CABLE 3
206	SH00000181	US CABLE 3
207	SH00000182	US EARTH CABLE
208	SH00000183	WASHER(4.5/25/T1)
209	SH00000111	SCREW(M4X10)
211	SH00000184	SCREW(M3X6)
212	SH00000184	SCREW(M3X6)
213	SH00000184	SCREW(M3X6)
214	SH00000184	SCREW(M3X6)
215	SH00000184	SCREW(M3X6)
216	SH00000184	SCREW(M3X6)
217	SH00000184	SCREW(M3X6)
218	SH00000185	UPPER BODY
219	SH00000247	CASE COVER K
220	SH00000187	HANDLE
222	SH00000189	UI BUTTON
223	SH00000190	UI PWB ASSY
224	SH00000191	UI PWB HOLDER
225	SH00000192	LED LENS L
226	SH00000193	LED LENS SEAL
227	SH00000194	LED REFLECTOR
228	SH00000195	LED PWB ASSY
229	SH00000196	BUZZER PWB ASSY
231	SH00000198	FILTER BUTTON SP
233	SH00000200	INTAKE PACKING
234	SH00000201	NOZZLE PACKING
235	SH00000202	NOZZLE SEAL
236	SH00000248	UI KEY SHEET
237	SH00000204	LED LENS S
238	SH00000205	EXHAUST FILTER ASSY
239	SH00000206	CATCH LATCH
240	SH00000249	UI CABLE
241	SH00000208	LED CABLE
242	SH00000110	SCREW(M3X8XWASHER8)
243	SH00000110	SCREW(M3X8XWASHER8)
244	SH00000110	SCREW(M3X8XWASHER8)
245	SH00000184	SCREW(M3X6)
246	SH00000071	SCREW(M3X10)
247	SH00000071	SCREW(M3X10)
248	SH00000071	SCREW(M3X10)
249	SH00000111	SCREW(M4X10)
250	SH00000209	DUST BOX LOWER
251	SH00000210	DUST CASE
252	SH00000211	DUST SEAL RING

Nr.	Part nr.	Name
253	SH00000212	DUST BOX UPPER
254	SH00000213	
255	SH00000214	DUST BOX COVER
256	SH00000215	DUST SLIDE LEVER
257	SH00000216	DUST BOX PIN
258	SH00000252	CAUTION LABEL
259	SH00000253	ROBOPRO LABEL
260	SH00000244	FERRITE CORE
261	SH00000244	FERRITE CORE
300	SH00000219	RF CONTROLLER ASSY
301	SH00000231	
005-1	SH00000267	CABLE COVER R
006-1	SH00000268	CABLE COVER
027-1	SH00000278	IR SENSOR C ASSY
028-1	SH00000278	IR SENSOR C ASSY
029-1	SH00000279	IR SENSOR S ASSY
030-1	SH00000279	IR SENSOR S ASSY
031-1	SH00000280	BL SENSOR ASSY
040-1	SH00000277	BUMPER ANGLE R
086-1	643523-1	TERMINAL
087-1	643523-1	TERMINAL
137-1	SH00000228	E RING
210-1	SH00000184	SCREW(M3X6)
221-1	SH00000269	HANDLE COVER
230-1	SH00000270	FILTER BUTTON
232-1	SH00000271	FILTER BUTTON HOLDER



Nr.	Part nr.	Name
001	SH00000063	
002	SH00000064	
003	SH00000065	
004	SH00000066	FW COVER
007	SH00000069	SCREW(M4X8 MACHIN)
008	SH00000070	SB SCREW ASSY 2PCS
009	SH00000071	SCREW(M3X10)
010	SH00000071	SCREW(M3X10)
011	SH00000221	SCREW(M4X16)
012	SH00000221	SCREW(M4X16)
013	SH00000072	LOWER BODY ASSY
014	SH00000073	CONTROL PWB ASSY
015	SH00000241	RF MODULE
016	SH00000075	RF HOLDER
017	SH00000076	CONTROL HOLDER ASSY
018	SH00000078	AS PWB ASSY
019	SH00000079	BATTERY PWB ASSY
020	SH00000080	INSULATING SHEET
021	SH00000081	TERMINAL HOLDER L
022	SH00000082	TERMINAL HOLDER R
023	SH00000083	RUBBER PIN
024	SH00000083	RUBBER PIN
025	SH00000084	FRONT ROLLER SHAFT
026	SH00000085	FRONT ROLLER ASSY
032	SH00000222	SENSOR LENS SHEET
033	SH00000222	SENSOR LENS SHEET
035	SH00000222	SENSOR LENS SHEET
036	SH00000222	SENSOR LENS SHEET
037	SH00000222	SENSOR LENS SHEET
038	SH00000089	WEIGHT PLATE
039	SH00000090	BUMPER ANGLE L
041	SH00000092	BUMPER SPRING
042	SH00000092	BUMPER SPRING
043	SH00000093	SB UNIT L ASSY
044	SH00000094	SB UNIT R ASSY
045	SH00000095	PB SUPPORT S ASSY
046	SH00000096	MAIN WHEEL L ASSY
047	SH00000097	MAIN WHEEL R ASSY
048	SH00000098	WHEEL SPRING
049	SH00000098	WHEEL SPRING
050	SH00000099	AIR DUCT UNIT ASSY
051	SH00000101	BUMPER SW CABLE
052	SH00000101	BUMPER SW CABLE
053	SH00000223	COOLING FAN S ASSY
054	SH00000224	COOLING FAN SEAL
055	SH00000104	BATTERY CABLE L

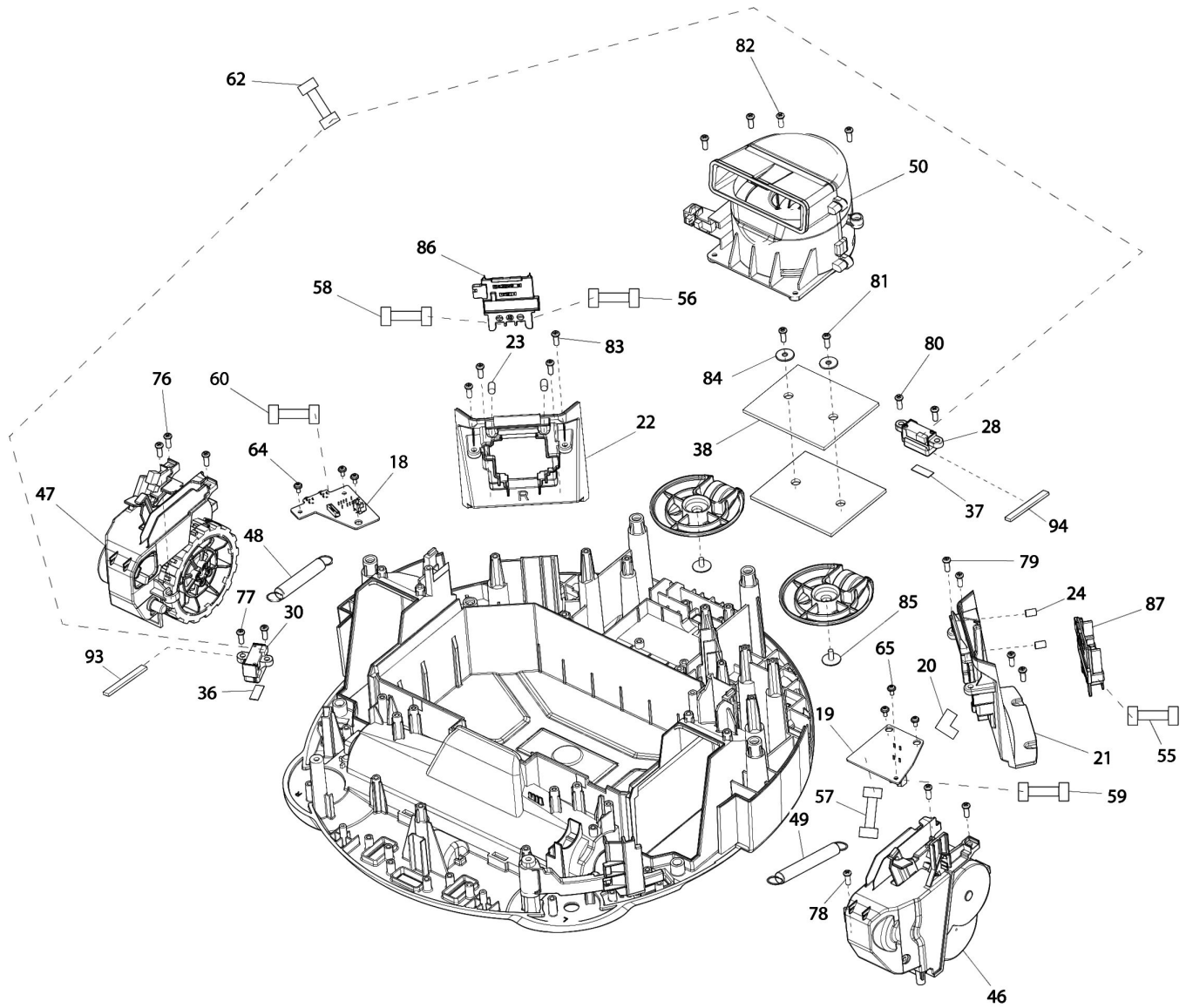
Nr.	Part nr.	Name
056	SH00000105	BATTERY CABLE R
057	SH00000106	BATTERY PS CABLE
058	SH00000107	BATTERY SIGNAL CABLE
059	SH00000108	BATTERY EARTH CABLE
060	SH00000109	AS CABLE
061	SH00000242	CLIFF SENSOR CABLE L
062	SH00000243	CLIFF SENSOR CABLE R
063	SH00000110	SCREW(M3X8XWASHER8)
064	SH00000110	SCREW(M3X8XWASHER8)
065	SH00000110	SCREW(M3X8XWASHER8)
066	SH00000111	SCREW(M4X10)
067	SH00000111	SCREW(M4X10)
068	SH00000111	SCREW(M4X10)
069	SH00000111	SCREW(M4X10)
070	SH00000111	SCREW(M4X10)
071	SH00000111	SCREW(M4X10)
072	SH00000111	SCREW(M4X10)
073	SH00000111	SCREW(M4X10)
074	SH00000111	SCREW(M4X10)
075	SH00000111	SCREW(M4X10)
076	SH00000111	SCREW(M4X10)
077	SH00000111	SCREW(M4X10)
078	SH00000111	SCREW(M4X10)
079	SH00000111	SCREW(M4X10)
080	SH00000111	SCREW(M4X10)
081	SH00000111	SCREW(M4X10)
082	SH00000111	SCREW(M4X10)
083	SH00000111	SCREW(M4X10)
084	SH00000112	WASHER(4.5X13XT1)
085	SH00000113	SCREW(M5X10XWASHER16)
088	SH00000226	PC WASHER
089	SH00000236	SENSOR LENZ SEAL
090	SH00000236	SENSOR LENZ SEAL
091	SH00000236	SENSOR LENZ SEAL
092	SH00000236	SENSOR LENZ SEAL
093	SH00000236	SENSOR LENZ SEAL
094	SH00000236	SENSOR LENZ SEAL
095	SH00000244	FERRITE CORE
101	SH00000114	MOTOR S ASSY
102	SH00000115	SB MOTOR HOLDER L
103	SH00000116	SB MOTOR COVER
104	SH00000117	SB METAL
105	SH00000118	SB GEAR 4 ASSY
106	SH00000119	SB GEAR 3
107	SH00000120	SB GEAR 2
108	SH00000121	COMMON SHAFT 1

Nr.	Part nr.	Name
109	SH00000122	SB GEAR SHAFT 1
110	SH00000123	SCREW(M2.6X4 MACHINE)
111	SH00000124	SIDE BRUSH CABLE
112	SH00000071	SCREW(M3X10)
113	SH00000227	MOTOR SEAL
114	SH00000114	MOTOR S ASSY
115	SH00000125	SB MOTOR HOLDER R
116	SH00000116	SB MOTOR COVER
117	SH00000117	SB METAL
118	SH00000120	SB GEAR 2
119	SH00000119	SB GEAR 3
120	SH00000118	SB GEAR 4 ASSY
121	SH00000121	COMMON SHAFT 1
122	SH00000122	SB GEAR SHAFT 1
123	SH00000123	SCREW(M2.6X4 MACHINE)
124	SH00000124	SIDE BRUSH CABLE
125	SH00000071	SCREW(M3X10)
126	SH00000227	MOTOR SEAL
127	SH00000126	PB MOTOR D ASSY
128	SH00000127	PB SUPPORT COVER K
129	SH00000129	PB BELT GEAR 2
130	SH00000130	BELT GEAR SHAFT
131	SH00000131	PB BELT GEAR 3
132	SH00000132	PB HOLDER ASSY
133	SH00000133	BEARING
134	SH00000133	BEARING
135	SH00000134	P WASHER 050
136	SH00000134	P WASHER 050
138	SH00000136	TIMING BELT
139	SH00000137	PB MOTOR CABLE
140	SH00000071	SCREW(M3X10)
141	SH00000139	MAIN WHEEL L UNIT
142	SH00000152	MAIN WHEEL SHAFT
143	SH00000071	SCREW(M3X10)
144	SH00000229	SCREW(M3X10)
145	SH00000227	MOTOR SEAL
146	SH00000150	WHEEL L ASSY
147	SH00000140	WHEEL GEAR BOX L
148	SH00000141	WHEEL GEAR COVER L
149	SH00000142	MW MOTOR S ASSY
150	SH00000143	WHEEL METAL RING
151	SH00000144	WHEEL GEAR 2
152	SH00000145	WHEEL GEAR 3
153	SH00000146	WHEEL GEAR 4
154	SH00000147	WHEEL GEAR 5
155	SH00000148	WHEEL GEAR SHAFT 1

Nr.	Part nr.	Name
156	SH00000151	WHEEL L UNIT COVER
157	SH00000153	WHEEL CABLE
158	SH00000123	SCREW(M2.6X4 MACHINE)
160	SH00000154	MAIN WHEEL R UNIT
161	SH00000152	MAIN WHEEL SHAFT
162	SH00000071	SCREW(M3X10)
163	SH00000229	SCREW(M3X10)
164	SH00000227	MOTOR SEAL
165	SH00000157	WHEEL R ASSY
166	SH00000155	WHEEL GEAR BOX R
167	SH00000156	WHEEL GEAR COVER R
168	SH00000142	MW MOTOR S ASSY
169	SH00000143	WHEEL METAL RING
170	SH00000144	WHEEL GEAR 2
171	SH00000145	WHEEL GEAR 3
172	SH00000146	WHEEL GEAR 4
173	SH00000147	WHEEL GEAR 5
174	SH00000148	WHEEL GEAR SHAFT 1
175	SH00000158	WHEEL R UNIT COVER
176	SH00000153	WHEEL CABLE
177	SH00000123	SCREW(M2.6X4 MACHINE)
178	SH00000159	AIR DUCT FRONT
179	SH00000160	AIR DUCT REAR
180	SH00000161	FAN MOTOR UNIT ASSY
181	SH00000162	FAN CUSHION
182	SH00000077	PHOTO SENSOR
183	SH00000163	INTAKE SEAL
184	SH00000164	CUP SENSOR CABLE
185	SH00000165	FAN MOTOR CABLE
186	SH00000111	SCREW(M4X10)
187	SH00000166	REAR CASTER FRAME
188	SH00000167	REAR CASTER SHAFT
189	SH00000135	U RING
190	SH00000168	CASTER ASSY
191	SH00000169	BUMPER
192	SH00000170	BUMPER DECO
193	SH00000171	US HOLDER C ASSY
194	SH00000172	US HOLDER L1 ASSY
195	SH00000173	US HOLDER L2 ASSY
196	SH00000174	US HOLDER L3 ASSY
197	SH00000175	US HOLDER R1 ASSY
198	SH00000176	US HOLDER R2 ASSY
199	SH00000177	US HOLDER R3 ASSY
200	SH00000245	US CABLE C
201	SH00000179	US CABLE 1
202	SH00000179	US CABLE 1

Nr.	Part nr.	Name
203	SH00000180	US CABLE 2
204	SH00000180	US CABLE 2
205	SH00000181	US CABLE 3
206	SH00000181	US CABLE 3
207	SH00000182	US EARTH CABLE
208	SH00000183	WASHER(4.5/25/T1)
209	SH00000111	SCREW(M4X10)
211	SH00000184	SCREW(M3X6)
212	SH00000184	SCREW(M3X6)
213	SH00000184	SCREW(M3X6)
214	SH00000184	SCREW(M3X6)
215	SH00000184	SCREW(M3X6)
216	SH00000184	SCREW(M3X6)
217	SH00000184	SCREW(M3X6)
218	SH00000185	UPPER BODY
219	SH00000247	CASE COVER K
220	SH00000187	HANDLE
222	SH00000189	UI BUTTON
223	SH00000190	UI PWB ASSY
224	SH00000191	UI PWB HOLDER
225	SH00000192	LED LENS L
226	SH00000193	LED LENS SEAL
227	SH00000194	LED REFLECTOR
228	SH00000195	LED PWB ASSY
229	SH00000196	BUZZER PWB ASSY
231	SH00000198	FILTER BUTTON SP
233	SH00000200	INTAKE PACKING
234	SH00000201	NOZZLE PACKING
235	SH00000202	NOZZLE SEAL
236	SH00000248	UI KEY SHEET
237	SH00000204	LED LENS S
238	SH00000205	EXHAUST FILTER ASSY
239	SH00000206	CATCH LATCH
240	SH00000249	UI CABLE
241	SH00000208	LED CABLE
242	SH00000110	SCREW(M3X8XWASHER8)
243	SH00000110	SCREW(M3X8XWASHER8)
244	SH00000110	SCREW(M3X8XWASHER8)
245	SH00000184	SCREW(M3X6)
246	SH00000071	SCREW(M3X10)
247	SH00000071	SCREW(M3X10)
248	SH00000071	SCREW(M3X10)
249	SH00000111	SCREW(M4X10)
250	SH00000209	DUST BOX LOWER
251	SH00000210	DUST CASE
252	SH00000211	DUST SEAL RING

Nr.	Part nr.	Name
253	SH00000212	DUST BOX UPPER
254	SH00000213	
255	SH00000214	DUST BOX COVER
256	SH00000215	DUST SLIDE LEVER
257	SH00000216	DUST BOX PIN
258	SH00000252	CAUTION LABEL
259	SH00000253	ROBOPRO LABEL
260	SH00000244	FERRITE CORE
261	SH00000244	FERRITE CORE
300	SH00000219	RF CONTROLLER ASSY
301	SH00000231	
005-1	SH00000267	CABLE COVER R
006-1	SH00000268	CABLE COVER
027-1	SH00000278	IR SENSOR C ASSY
028-1	SH00000278	IR SENSOR C ASSY
029-1	SH00000279	IR SENSOR S ASSY
030-1	SH00000279	IR SENSOR S ASSY
031-1	SH00000280	BL SENSOR ASSY
040-1	SH00000277	BUMPER ANGLE R
086-1	643523-1	TERMINAL
087-1	643523-1	TERMINAL
137-1	SH00000228	E RING
210-1	SH00000184	SCREW(M3X6)
221-1	SH00000269	HANDLE COVER
230-1	SH00000270	FILTER BUTTON
232-1	SH00000271	FILTER BUTTON HOLDER



Nr.	Part nr.	Name
001	SH00000063	
002	SH00000064	
003	SH00000065	
004	SH00000066	FW COVER
007	SH00000069	SCREW(M4X8 MACHIN)
008	SH00000070	SB SCREW ASSY 2PCS
009	SH00000071	SCREW(M3X10)
010	SH00000071	SCREW(M3X10)
011	SH00000221	SCREW(M4X16)
012	SH00000221	SCREW(M4X16)
013	SH00000072	LOWER BODY ASSY
014	SH00000073	CONTROL PWB ASSY
015	SH00000241	RF MODULE
016	SH00000075	RF HOLDER
017	SH00000076	CONTROL HOLDER ASSY
018	SH00000078	AS PWB ASSY
019	SH00000079	BATTERY PWB ASSY
020	SH00000080	INSULATING SHEET
021	SH00000081	TERMINAL HOLDER L
022	SH00000082	TERMINAL HOLDER R
023	SH00000083	RUBBER PIN
024	SH00000083	RUBBER PIN
025	SH00000084	FRONT ROLLER SHAFT
026	SH00000085	FRONT ROLLER ASSY
032	SH00000222	SENSOR LENS SHEET
033	SH00000222	SENSOR LENS SHEET
035	SH00000222	SENSOR LENS SHEET
036	SH00000222	SENSOR LENS SHEET
037	SH00000222	SENSOR LENS SHEET
038	SH00000089	WEIGHT PLATE
039	SH00000090	BUMPER ANGLE L
041	SH00000092	BUMPER SPRING
042	SH00000092	BUMPER SPRING
043	SH00000093	SB UNIT L ASSY
044	SH00000094	SB UNIT R ASSY
045	SH00000095	PB SUPPORT S ASSY
046	SH00000096	MAIN WHEEL L ASSY
047	SH00000097	MAIN WHEEL R ASSY
048	SH00000098	WHEEL SPRING
049	SH00000098	WHEEL SPRING
050	SH00000099	AIR DUCT UNIT ASSY
051	SH00000101	BUMPER SW CABLE
052	SH00000101	BUMPER SW CABLE
053	SH00000223	COOLING FAN S ASSY
054	SH00000224	COOLING FAN SEAL
055	SH00000104	BATTERY CABLE L

Nr.	Part nr.	Name
056	SH00000105	BATTERY CABLE R
057	SH00000106	BATTERY PS CABLE
058	SH00000107	BATTERY SIGNAL CABLE
059	SH00000108	BATTERY EARTH CABLE
060	SH00000109	AS CABLE
061	SH00000242	CLIFF SENSOR CABLE L
062	SH00000243	CLIFF SENSOR CABLE R
063	SH00000110	SCREW(M3X8XWASHER8)
064	SH00000110	SCREW(M3X8XWASHER8)
065	SH00000110	SCREW(M3X8XWASHER8)
066	SH00000111	SCREW(M4X10)
067	SH00000111	SCREW(M4X10)
068	SH00000111	SCREW(M4X10)
069	SH00000111	SCREW(M4X10)
070	SH00000111	SCREW(M4X10)
071	SH00000111	SCREW(M4X10)
072	SH00000111	SCREW(M4X10)
073	SH00000111	SCREW(M4X10)
074	SH00000111	SCREW(M4X10)
075	SH00000111	SCREW(M4X10)
076	SH00000111	SCREW(M4X10)
077	SH00000111	SCREW(M4X10)
078	SH00000111	SCREW(M4X10)
079	SH00000111	SCREW(M4X10)
080	SH00000111	SCREW(M4X10)
081	SH00000111	SCREW(M4X10)
082	SH00000111	SCREW(M4X10)
083	SH00000111	SCREW(M4X10)
084	SH00000112	WASHER(4.5X13XT1)
085	SH00000113	SCREW(M5X10XWASHER16)
088	SH00000226	PC WASHER
089	SH00000236	SENSOR LENZ SEAL
090	SH00000236	SENSOR LENZ SEAL
091	SH00000236	SENSOR LENZ SEAL
092	SH00000236	SENSOR LENZ SEAL
093	SH00000236	SENSOR LENZ SEAL
094	SH00000236	SENSOR LENZ SEAL
095	SH00000244	FERRITE CORE
101	SH00000114	MOTOR S ASSY
102	SH00000115	SB MOTOR HOLDER L
103	SH00000116	SB MOTOR COVER
104	SH00000117	SB METAL
105	SH00000118	SB GEAR 4 ASSY
106	SH00000119	SB GEAR 3
107	SH00000120	SB GEAR 2
108	SH00000121	COMMON SHAFT 1

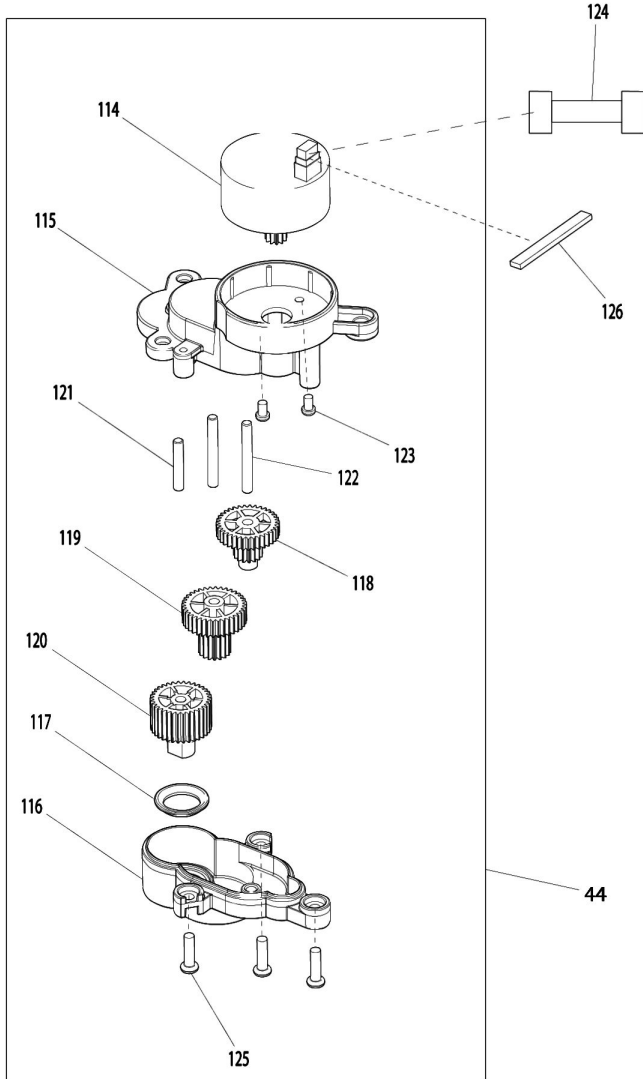
Nr.	Part nr.	Name
109	SH00000122	SB GEAR SHAFT 1
110	SH00000123	SCREW(M2.6X4 MACHINE)
111	SH00000124	SIDE BRUSH CABLE
112	SH00000071	SCREW(M3X10)
113	SH00000227	MOTOR SEAL
114	SH00000114	MOTOR S ASSY
115	SH00000125	SB MOTOR HOLDER R
116	SH00000116	SB MOTOR COVER
117	SH00000117	SB METAL
118	SH00000120	SB GEAR 2
119	SH00000119	SB GEAR 3
120	SH00000118	SB GEAR 4 ASSY
121	SH00000121	COMMON SHAFT 1
122	SH00000122	SB GEAR SHAFT 1
123	SH00000123	SCREW(M2.6X4 MACHINE)
124	SH00000124	SIDE BRUSH CABLE
125	SH00000071	SCREW(M3X10)
126	SH00000227	MOTOR SEAL
127	SH00000126	PB MOTOR D ASSY
128	SH00000127	PB SUPPORT COVER K
129	SH00000129	PB BELT GEAR 2
130	SH00000130	BELT GEAR SHAFT
131	SH00000131	PB BELT GEAR 3
132	SH00000132	PB HOLDER ASSY
133	SH00000133	BEARING
134	SH00000133	BEARING
135	SH00000134	P WASHER 050
136	SH00000134	P WASHER 050
138	SH00000136	TIMING BELT
139	SH00000137	PB MOTOR CABLE
140	SH00000071	SCREW(M3X10)
141	SH00000139	MAIN WHEEL L UNIT
142	SH00000152	MAIN WHEEL SHAFT
143	SH00000071	SCREW(M3X10)
144	SH00000229	SCREW(M3X10)
145	SH00000227	MOTOR SEAL
146	SH00000150	WHEEL L ASSY
147	SH00000140	WHEEL GEAR BOX L
148	SH00000141	WHEEL GEAR COVER L
149	SH00000142	MW MOTOR S ASSY
150	SH00000143	WHEEL METAL RING
151	SH00000144	WHEEL GEAR 2
152	SH00000145	WHEEL GEAR 3
153	SH00000146	WHEEL GEAR 4
154	SH00000147	WHEEL GEAR 5
155	SH00000148	WHEEL GEAR SHAFT 1

Nr.	Part nr.	Name
156	SH00000151	WHEEL L UNIT COVER
157	SH00000153	WHEEL CABLE
158	SH00000123	SCREW(M2.6X4 MACHINE)
160	SH00000154	MAIN WHEEL R UNIT
161	SH00000152	MAIN WHEEL SHAFT
162	SH00000071	SCREW(M3X10)
163	SH00000229	SCREW(M3X10)
164	SH00000227	MOTOR SEAL
165	SH00000157	WHEEL R ASSY
166	SH00000155	WHEEL GEAR BOX R
167	SH00000156	WHEEL GEAR COVER R
168	SH00000142	MW MOTOR S ASSY
169	SH00000143	WHEEL METAL RING
170	SH00000144	WHEEL GEAR 2
171	SH00000145	WHEEL GEAR 3
172	SH00000146	WHEEL GEAR 4
173	SH00000147	WHEEL GEAR 5
174	SH00000148	WHEEL GEAR SHAFT 1
175	SH00000158	WHEEL R UNIT COVER
176	SH00000153	WHEEL CABLE
177	SH00000123	SCREW(M2.6X4 MACHINE)
178	SH00000159	AIR DUCT FRONT
179	SH00000160	AIR DUCT REAR
180	SH00000161	FAN MOTOR UNIT ASSY
181	SH00000162	FAN CUSHION
182	SH00000077	PHOTO SENSOR
183	SH00000163	INTAKE SEAL
184	SH00000164	CUP SENSOR CABLE
185	SH00000165	FAN MOTOR CABLE
186	SH00000111	SCREW(M4X10)
187	SH00000166	REAR CASTER FRAME
188	SH00000167	REAR CASTER SHAFT
189	SH00000135	U RING
190	SH00000168	CASTER ASSY
191	SH00000169	BUMPER
192	SH00000170	BUMPER DECO
193	SH00000171	US HOLDER C ASSY
194	SH00000172	US HOLDER L1 ASSY
195	SH00000173	US HOLDER L2 ASSY
196	SH00000174	US HOLDER L3 ASSY
197	SH00000175	US HOLDER R1 ASSY
198	SH00000176	US HOLDER R2 ASSY
199	SH00000177	US HOLDER R3 ASSY
200	SH00000245	US CABLE C
201	SH00000179	US CABLE 1
202	SH00000179	US CABLE 1

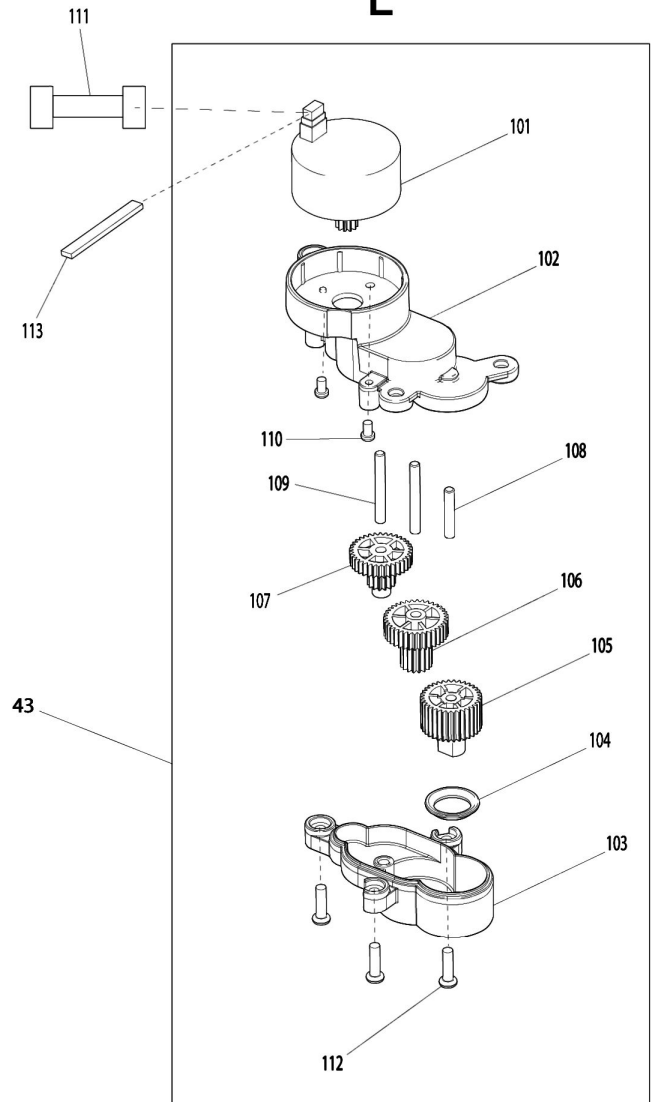
Nr.	Part nr.	Name
203	SH00000180	US CABLE 2
204	SH00000180	US CABLE 2
205	SH00000181	US CABLE 3
206	SH00000181	US CABLE 3
207	SH00000182	US EARTH CABLE
208	SH00000183	WASHER(4.5/25/T1)
209	SH00000111	SCREW(M4X10)
211	SH00000184	SCREW(M3X6)
212	SH00000184	SCREW(M3X6)
213	SH00000184	SCREW(M3X6)
214	SH00000184	SCREW(M3X6)
215	SH00000184	SCREW(M3X6)
216	SH00000184	SCREW(M3X6)
217	SH00000184	SCREW(M3X6)
218	SH00000185	UPPER BODY
219	SH00000247	CASE COVER K
220	SH00000187	HANDLE
222	SH00000189	UI BUTTON
223	SH00000190	UI PWB ASSY
224	SH00000191	UI PWB HOLDER
225	SH00000192	LED LENS L
226	SH00000193	LED LENS SEAL
227	SH00000194	LED REFLECTOR
228	SH00000195	LED PWB ASSY
229	SH00000196	BUZZER PWB ASSY
231	SH00000198	FILTER BUTTON SP
233	SH00000200	INTAKE PACKING
234	SH00000201	NOZZLE PACKING
235	SH00000202	NOZZLE SEAL
236	SH00000248	UI KEY SHEET
237	SH00000204	LED LENS S
238	SH00000205	EXHAUST FILTER ASSY
239	SH00000206	CATCH LATCH
240	SH00000249	UI CABLE
241	SH00000208	LED CABLE
242	SH00000110	SCREW(M3X8XWASHER8)
243	SH00000110	SCREW(M3X8XWASHER8)
244	SH00000110	SCREW(M3X8XWASHER8)
245	SH00000184	SCREW(M3X6)
246	SH00000071	SCREW(M3X10)
247	SH00000071	SCREW(M3X10)
248	SH00000071	SCREW(M3X10)
249	SH00000111	SCREW(M4X10)
250	SH00000209	DUST BOX LOWER
251	SH00000210	DUST CASE
252	SH00000211	DUST SEAL RING

Nr.	Part nr.	Name
253	SH00000212	DUST BOX UPPER
254	SH00000213	
255	SH00000214	DUST BOX COVER
256	SH00000215	DUST SLIDE LEVER
257	SH00000216	DUST BOX PIN
258	SH00000252	CAUTION LABEL
259	SH00000253	ROBOPRO LABEL
260	SH00000244	FERRITE CORE
261	SH00000244	FERRITE CORE
300	SH00000219	RF CONTROLLER ASSY
301	SH00000231	
005-1	SH00000267	CABLE COVER R
006-1	SH00000268	CABLE COVER
027-1	SH00000278	IR SENSOR C ASSY
028-1	SH00000278	IR SENSOR C ASSY
029-1	SH00000279	IR SENSOR S ASSY
030-1	SH00000279	IR SENSOR S ASSY
031-1	SH00000280	BL SENSOR ASSY
040-1	SH00000277	BUMPER ANGLE R
086-1	643523-1	TERMINAL
087-1	643523-1	TERMINAL
137-1	SH00000228	E RING
210-1	SH00000184	SCREW(M3X6)
221-1	SH00000269	HANDLE COVER
230-1	SH00000270	FILTER BUTTON
232-1	SH00000271	FILTER BUTTON HOLDER

R



L



Nr.	Part nr.	Name
001	SH00000063	
002	SH00000064	
003	SH00000065	
004	SH00000066	FW COVER
007	SH00000069	SCREW(M4X8 MACHIN)
008	SH00000070	SB SCREW ASSY 2PCS
009	SH00000071	SCREW(M3X10)
010	SH00000071	SCREW(M3X10)
011	SH00000221	SCREW(M4X16)
012	SH00000221	SCREW(M4X16)
013	SH00000072	LOWER BODY ASSY
014	SH00000073	CONTROL PWB ASSY
015	SH00000241	RF MODULE
016	SH00000075	RF HOLDER
017	SH00000076	CONTROL HOLDER ASSY
018	SH00000078	AS PWB ASSY
019	SH00000079	BATTERY PWB ASSY
020	SH00000080	INSULATING SHEET
021	SH00000081	TERMINAL HOLDER L
022	SH00000082	TERMINAL HOLDER R
023	SH00000083	RUBBER PIN
024	SH00000083	RUBBER PIN
025	SH00000084	FRONT ROLLER SHAFT
026	SH00000085	FRONT ROLLER ASSY
032	SH00000222	SENSOR LENS SHEET
033	SH00000222	SENSOR LENS SHEET
035	SH00000222	SENSOR LENS SHEET
036	SH00000222	SENSOR LENS SHEET
037	SH00000222	SENSOR LENS SHEET
038	SH00000089	WEIGHT PLATE
039	SH00000090	BUMPER ANGLE L
041	SH00000092	BUMPER SPRING
042	SH00000092	BUMPER SPRING
043	SH00000093	SB UNIT L ASSY
044	SH00000094	SB UNIT R ASSY
045	SH00000095	PB SUPPORT S ASSY
046	SH00000096	MAIN WHEEL L ASSY
047	SH00000097	MAIN WHEEL R ASSY
048	SH00000098	WHEEL SPRING
049	SH00000098	WHEEL SPRING
050	SH00000099	AIR DUCT UNIT ASSY
051	SH00000101	BUMPER SW CABLE
052	SH00000101	BUMPER SW CABLE
053	SH00000223	COOLING FAN S ASSY
054	SH00000224	COOLING FAN SEAL
055	SH00000104	BATTERY CABLE L

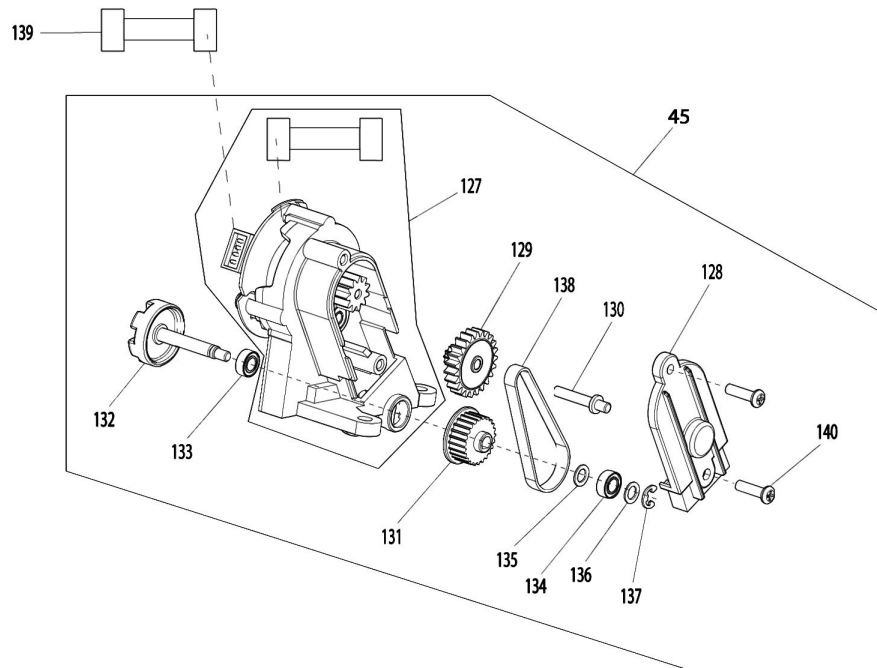
Nr.	Part nr.	Name
056	SH00000105	BATTERY CABLE R
057	SH00000106	BATTERY PS CABLE
058	SH00000107	BATTERY SIGNAL CABLE
059	SH00000108	BATTERY EARTH CABLE
060	SH00000109	AS CABLE
061	SH00000242	CLIFF SENSOR CABLE L
062	SH00000243	CLIFF SENSOR CABLE R
063	SH00000110	SCREW(M3X8XWASHER8)
064	SH00000110	SCREW(M3X8XWASHER8)
065	SH00000110	SCREW(M3X8XWASHER8)
066	SH00000111	SCREW(M4X10)
067	SH00000111	SCREW(M4X10)
068	SH00000111	SCREW(M4X10)
069	SH00000111	SCREW(M4X10)
070	SH00000111	SCREW(M4X10)
071	SH00000111	SCREW(M4X10)
072	SH00000111	SCREW(M4X10)
073	SH00000111	SCREW(M4X10)
074	SH00000111	SCREW(M4X10)
075	SH00000111	SCREW(M4X10)
076	SH00000111	SCREW(M4X10)
077	SH00000111	SCREW(M4X10)
078	SH00000111	SCREW(M4X10)
079	SH00000111	SCREW(M4X10)
080	SH00000111	SCREW(M4X10)
081	SH00000111	SCREW(M4X10)
082	SH00000111	SCREW(M4X10)
083	SH00000111	SCREW(M4X10)
084	SH00000112	WASHER(4.5X13XT1)
085	SH00000113	SCREW(M5X10XWASHER16)
088	SH00000226	PC WASHER
089	SH00000236	SENSOR LENZ SEAL
090	SH00000236	SENSOR LENZ SEAL
091	SH00000236	SENSOR LENZ SEAL
092	SH00000236	SENSOR LENZ SEAL
093	SH00000236	SENSOR LENZ SEAL
094	SH00000236	SENSOR LENZ SEAL
095	SH00000244	FERRITE CORE
101	SH00000114	MOTOR S ASSY
102	SH00000115	SB MOTOR HOLDER L
103	SH00000116	SB MOTOR COVER
104	SH00000117	SB METAL
105	SH00000118	SB GEAR 4 ASSY
106	SH00000119	SB GEAR 3
107	SH00000120	SB GEAR 2
108	SH00000121	COMMON SHAFT 1

Nr.	Part nr.	Name
109	SH00000122	SB GEAR SHAFT 1
110	SH00000123	SCREW(M2.6X4 MACHINE)
111	SH00000124	SIDE BRUSH CABLE
112	SH00000071	SCREW(M3X10)
113	SH00000227	MOTOR SEAL
114	SH00000114	MOTOR S ASSY
115	SH00000125	SB MOTOR HOLDER R
116	SH00000116	SB MOTOR COVER
117	SH00000117	SB METAL
118	SH00000120	SB GEAR 2
119	SH00000119	SB GEAR 3
120	SH00000118	SB GEAR 4 ASSY
121	SH00000121	COMMON SHAFT 1
122	SH00000122	SB GEAR SHAFT 1
123	SH00000123	SCREW(M2.6X4 MACHINE)
124	SH00000124	SIDE BRUSH CABLE
125	SH00000071	SCREW(M3X10)
126	SH00000227	MOTOR SEAL
127	SH00000126	PB MOTOR D ASSY
128	SH00000127	PB SUPPORT COVER K
129	SH00000129	PB BELT GEAR 2
130	SH00000130	BELT GEAR SHAFT
131	SH00000131	PB BELT GEAR 3
132	SH00000132	PB HOLDER ASSY
133	SH00000133	BEARING
134	SH00000133	BEARING
135	SH00000134	P WASHER 050
136	SH00000134	P WASHER 050
138	SH00000136	TIMING BELT
139	SH00000137	PB MOTOR CABLE
140	SH00000071	SCREW(M3X10)
141	SH00000139	MAIN WHEEL L UNIT
142	SH00000152	MAIN WHEEL SHAFT
143	SH00000071	SCREW(M3X10)
144	SH00000229	SCREW(M3X10)
145	SH00000227	MOTOR SEAL
146	SH00000150	WHEEL L ASSY
147	SH00000140	WHEEL GEAR BOX L
148	SH00000141	WHEEL GEAR COVER L
149	SH00000142	MW MOTOR S ASSY
150	SH00000143	WHEEL METAL RING
151	SH00000144	WHEEL GEAR 2
152	SH00000145	WHEEL GEAR 3
153	SH00000146	WHEEL GEAR 4
154	SH00000147	WHEEL GEAR 5
155	SH00000148	WHEEL GEAR SHAFT 1

Nr.	Part nr.	Name
156	SH00000151	WHEEL L UNIT COVER
157	SH00000153	WHEEL CABLE
158	SH00000123	SCREW(M2.6X4 MACHINE)
160	SH00000154	MAIN WHEEL R UNIT
161	SH00000152	MAIN WHEEL SHAFT
162	SH00000071	SCREW(M3X10)
163	SH00000229	SCREW(M3X10)
164	SH00000227	MOTOR SEAL
165	SH00000157	WHEEL R ASSY
166	SH00000155	WHEEL GEAR BOX R
167	SH00000156	WHEEL GEAR COVER R
168	SH00000142	MW MOTOR S ASSY
169	SH00000143	WHEEL METAL RING
170	SH00000144	WHEEL GEAR 2
171	SH00000145	WHEEL GEAR 3
172	SH00000146	WHEEL GEAR 4
173	SH00000147	WHEEL GEAR 5
174	SH00000148	WHEEL GEAR SHAFT 1
175	SH00000158	WHEEL R UNIT COVER
176	SH00000153	WHEEL CABLE
177	SH00000123	SCREW(M2.6X4 MACHINE)
178	SH00000159	AIR DUCT FRONT
179	SH00000160	AIR DUCT REAR
180	SH00000161	FAN MOTOR UNIT ASSY
181	SH00000162	FAN CUSHION
182	SH00000077	PHOTO SENSOR
183	SH00000163	INTAKE SEAL
184	SH00000164	CUP SENSOR CABLE
185	SH00000165	FAN MOTOR CABLE
186	SH00000111	SCREW(M4X10)
187	SH00000166	REAR CASTER FRAME
188	SH00000167	REAR CASTER SHAFT
189	SH00000135	U RING
190	SH00000168	CASTER ASSY
191	SH00000169	BUMPER
192	SH00000170	BUMPER DECO
193	SH00000171	US HOLDER C ASSY
194	SH00000172	US HOLDER L1 ASSY
195	SH00000173	US HOLDER L2 ASSY
196	SH00000174	US HOLDER L3 ASSY
197	SH00000175	US HOLDER R1 ASSY
198	SH00000176	US HOLDER R2 ASSY
199	SH00000177	US HOLDER R3 ASSY
200	SH00000245	US CABLE C
201	SH00000179	US CABLE 1
202	SH00000179	US CABLE 1

Nr.	Part nr.	Name
203	SH00000180	US CABLE 2
204	SH00000180	US CABLE 2
205	SH00000181	US CABLE 3
206	SH00000181	US CABLE 3
207	SH00000182	US EARTH CABLE
208	SH00000183	WASHER(4.5/25/T1)
209	SH00000111	SCREW(M4X10)
211	SH00000184	SCREW(M3X6)
212	SH00000184	SCREW(M3X6)
213	SH00000184	SCREW(M3X6)
214	SH00000184	SCREW(M3X6)
215	SH00000184	SCREW(M3X6)
216	SH00000184	SCREW(M3X6)
217	SH00000184	SCREW(M3X6)
218	SH00000185	UPPER BODY
219	SH00000247	CASE COVER K
220	SH00000187	HANDLE
222	SH00000189	UI BUTTON
223	SH00000190	UI PWB ASSY
224	SH00000191	UI PWB HOLDER
225	SH00000192	LED LENS L
226	SH00000193	LED LENS SEAL
227	SH00000194	LED REFLECTOR
228	SH00000195	LED PWB ASSY
229	SH00000196	BUZZER PWB ASSY
231	SH00000198	FILTER BUTTON SP
233	SH00000200	INTAKE PACKING
234	SH00000201	NOZZLE PACKING
235	SH00000202	NOZZLE SEAL
236	SH00000248	UI KEY SHEET
237	SH00000204	LED LENS S
238	SH00000205	EXHAUST FILTER ASSY
239	SH00000206	CATCH LATCH
240	SH00000249	UI CABLE
241	SH00000208	LED CABLE
242	SH00000110	SCREW(M3X8XWASHER8)
243	SH00000110	SCREW(M3X8XWASHER8)
244	SH00000110	SCREW(M3X8XWASHER8)
245	SH00000184	SCREW(M3X6)
246	SH00000071	SCREW(M3X10)
247	SH00000071	SCREW(M3X10)
248	SH00000071	SCREW(M3X10)
249	SH00000111	SCREW(M4X10)
250	SH00000209	DUST BOX LOWER
251	SH00000210	DUST CASE
252	SH00000211	DUST SEAL RING

Nr.	Part nr.	Name
253	SH00000212	DUST BOX UPPER
254	SH00000213	
255	SH00000214	DUST BOX COVER
256	SH00000215	DUST SLIDE LEVER
257	SH00000216	DUST BOX PIN
258	SH00000252	CAUTION LABEL
259	SH00000253	ROBOPRO LABEL
260	SH00000244	FERRITE CORE
261	SH00000244	FERRITE CORE
300	SH00000219	RF CONTROLLER ASSY
301	SH00000231	
005-1	SH00000267	CABLE COVER R
006-1	SH00000268	CABLE COVER
027-1	SH00000278	IR SENSOR C ASSY
028-1	SH00000278	IR SENSOR C ASSY
029-1	SH00000279	IR SENSOR S ASSY
030-1	SH00000279	IR SENSOR S ASSY
031-1	SH00000280	BL SENSOR ASSY
040-1	SH00000277	BUMPER ANGLE R
086-1	643523-1	TERMINAL
087-1	643523-1	TERMINAL
137-1	SH00000228	E RING
210-1	SH00000184	SCREW(M3X6)
221-1	SH00000269	HANDLE COVER
230-1	SH00000270	FILTER BUTTON
232-1	SH00000271	FILTER BUTTON HOLDER



Nr.	Part nr.	Name
001	SH00000063	
002	SH00000064	
003	SH00000065	
004	SH00000066	FW COVER
007	SH00000069	SCREW(M4X8 MACHIN)
008	SH00000070	SB SCREW ASSY 2PCS
009	SH00000071	SCREW(M3X10)
010	SH00000071	SCREW(M3X10)
011	SH00000221	SCREW(M4X16)
012	SH00000221	SCREW(M4X16)
013	SH00000072	LOWER BODY ASSY
014	SH00000073	CONTROL PWB ASSY
015	SH00000241	RF MODULE
016	SH00000075	RF HOLDER
017	SH00000076	CONTROL HOLDER ASSY
018	SH00000078	AS PWB ASSY
019	SH00000079	BATTERY PWB ASSY
020	SH00000080	INSULATING SHEET
021	SH00000081	TERMINAL HOLDER L
022	SH00000082	TERMINAL HOLDER R
023	SH00000083	RUBBER PIN
024	SH00000083	RUBBER PIN
025	SH00000084	FRONT ROLLER SHAFT
026	SH00000085	FRONT ROLLER ASSY
032	SH00000222	SENSOR LENS SHEET
033	SH00000222	SENSOR LENS SHEET
035	SH00000222	SENSOR LENS SHEET
036	SH00000222	SENSOR LENS SHEET
037	SH00000222	SENSOR LENS SHEET
038	SH00000089	WEIGHT PLATE
039	SH00000090	BUMPER ANGLE L
041	SH00000092	BUMPER SPRING
042	SH00000092	BUMPER SPRING
043	SH00000093	SB UNIT L ASSY
044	SH00000094	SB UNIT R ASSY
045	SH00000095	PB SUPPORT S ASSY
046	SH00000096	MAIN WHEEL L ASSY
047	SH00000097	MAIN WHEEL R ASSY
048	SH00000098	WHEEL SPRING
049	SH00000098	WHEEL SPRING
050	SH00000099	AIR DUCT UNIT ASSY
051	SH00000101	BUMPER SW CABLE
052	SH00000101	BUMPER SW CABLE
053	SH00000223	COOLING FAN S ASSY
054	SH00000224	COOLING FAN SEAL
055	SH00000104	BATTERY CABLE L

Nr.	Part nr.	Name
056	SH00000105	BATTERY CABLE R
057	SH00000106	BATTERY PS CABLE
058	SH00000107	BATTERY SIGNAL CABLE
059	SH00000108	BATTERY EARTH CABLE
060	SH00000109	AS CABLE
061	SH00000242	CLIFF SENSOR CABLE L
062	SH00000243	CLIFF SENSOR CABLE R
063	SH00000110	SCREW(M3X8XWASHER8)
064	SH00000110	SCREW(M3X8XWASHER8)
065	SH00000110	SCREW(M3X8XWASHER8)
066	SH00000111	SCREW(M4X10)
067	SH00000111	SCREW(M4X10)
068	SH00000111	SCREW(M4X10)
069	SH00000111	SCREW(M4X10)
070	SH00000111	SCREW(M4X10)
071	SH00000111	SCREW(M4X10)
072	SH00000111	SCREW(M4X10)
073	SH00000111	SCREW(M4X10)
074	SH00000111	SCREW(M4X10)
075	SH00000111	SCREW(M4X10)
076	SH00000111	SCREW(M4X10)
077	SH00000111	SCREW(M4X10)
078	SH00000111	SCREW(M4X10)
079	SH00000111	SCREW(M4X10)
080	SH00000111	SCREW(M4X10)
081	SH00000111	SCREW(M4X10)
082	SH00000111	SCREW(M4X10)
083	SH00000111	SCREW(M4X10)
084	SH00000112	WASHER(4.5X13XT1)
085	SH00000113	SCREW(M5X10XWASHER16)
088	SH00000226	PC WASHER
089	SH00000236	SENSOR LENZ SEAL
090	SH00000236	SENSOR LENZ SEAL
091	SH00000236	SENSOR LENZ SEAL
092	SH00000236	SENSOR LENZ SEAL
093	SH00000236	SENSOR LENZ SEAL
094	SH00000236	SENSOR LENZ SEAL
095	SH00000244	FERRITE CORE
101	SH00000114	MOTOR S ASSY
102	SH00000115	SB MOTOR HOLDER L
103	SH00000116	SB MOTOR COVER
104	SH00000117	SB METAL
105	SH00000118	SB GEAR 4 ASSY
106	SH00000119	SB GEAR 3
107	SH00000120	SB GEAR 2
108	SH00000121	COMMON SHAFT 1

Nr.	Part nr.	Name
109	SH00000122	SB GEAR SHAFT 1
110	SH00000123	SCREW(M2.6X4 MACHINE)
111	SH00000124	SIDE BRUSH CABLE
112	SH00000071	SCREW(M3X10)
113	SH00000227	MOTOR SEAL
114	SH00000114	MOTOR S ASSY
115	SH00000125	SB MOTOR HOLDER R
116	SH00000116	SB MOTOR COVER
117	SH00000117	SB METAL
118	SH00000120	SB GEAR 2
119	SH00000119	SB GEAR 3
120	SH00000118	SB GEAR 4 ASSY
121	SH00000121	COMMON SHAFT 1
122	SH00000122	SB GEAR SHAFT 1
123	SH00000123	SCREW(M2.6X4 MACHINE)
124	SH00000124	SIDE BRUSH CABLE
125	SH00000071	SCREW(M3X10)
126	SH00000227	MOTOR SEAL
127	SH00000126	PB MOTOR D ASSY
128	SH00000127	PB SUPPORT COVER K
129	SH00000129	PB BELT GEAR 2
130	SH00000130	BELT GEAR SHAFT
131	SH00000131	PB BELT GEAR 3
132	SH00000132	PB HOLDER ASSY
133	SH00000133	BEARING
134	SH00000133	BEARING
135	SH00000134	P WASHER 050
136	SH00000134	P WASHER 050
138	SH00000136	TIMING BELT
139	SH00000137	PB MOTOR CABLE
140	SH00000071	SCREW(M3X10)
141	SH00000139	MAIN WHEEL L UNIT
142	SH00000152	MAIN WHEEL SHAFT
143	SH00000071	SCREW(M3X10)
144	SH00000229	SCREW(M3X10)
145	SH00000227	MOTOR SEAL
146	SH00000150	WHEEL L ASSY
147	SH00000140	WHEEL GEAR BOX L
148	SH00000141	WHEEL GEAR COVER L
149	SH00000142	MW MOTOR S ASSY
150	SH00000143	WHEEL METAL RING
151	SH00000144	WHEEL GEAR 2
152	SH00000145	WHEEL GEAR 3
153	SH00000146	WHEEL GEAR 4
154	SH00000147	WHEEL GEAR 5
155	SH00000148	WHEEL GEAR SHAFT 1

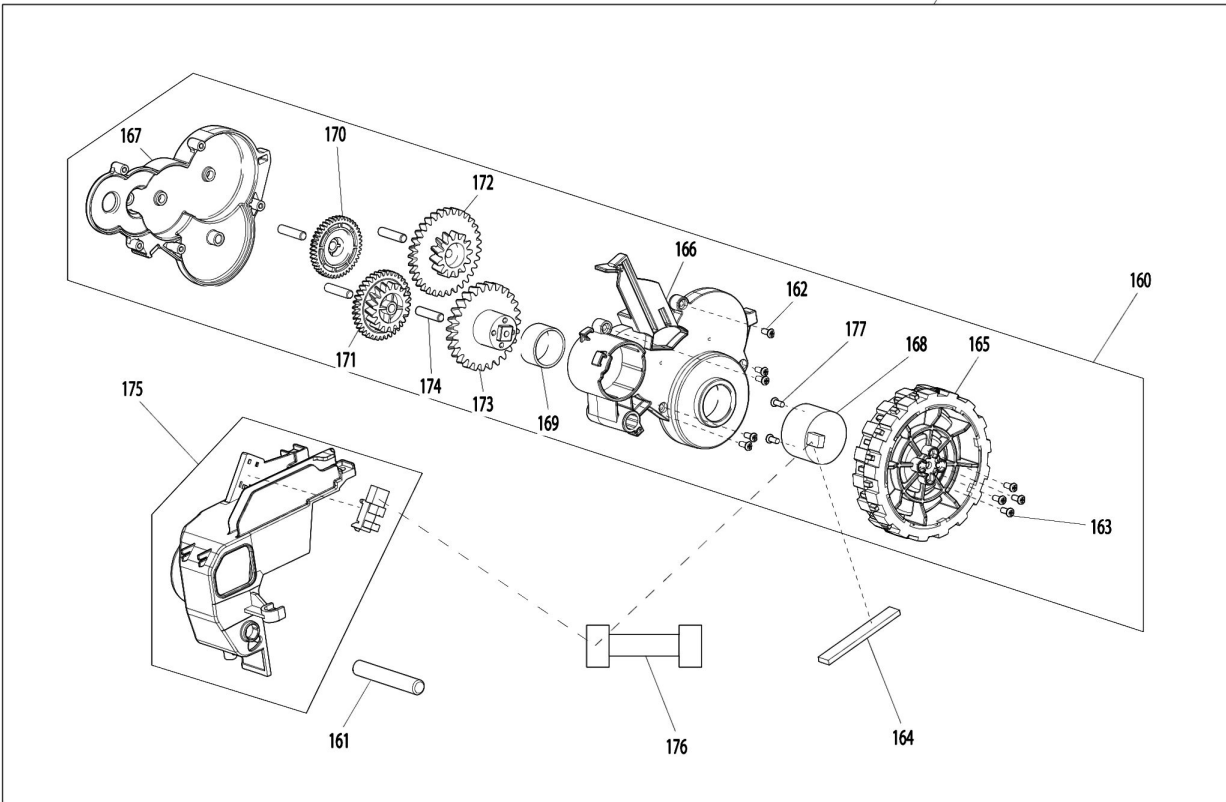
Nr.	Part nr.	Name
156	SH00000151	WHEEL L UNIT COVER
157	SH00000153	WHEEL CABLE
158	SH00000123	SCREW(M2.6X4 MACHINE)
160	SH00000154	MAIN WHEEL R UNIT
161	SH00000152	MAIN WHEEL SHAFT
162	SH00000071	SCREW(M3X10)
163	SH00000229	SCREW(M3X10)
164	SH00000227	MOTOR SEAL
165	SH00000157	WHEEL R ASSY
166	SH00000155	WHEEL GEAR BOX R
167	SH00000156	WHEEL GEAR COVER R
168	SH00000142	MW MOTOR S ASSY
169	SH00000143	WHEEL METAL RING
170	SH00000144	WHEEL GEAR 2
171	SH00000145	WHEEL GEAR 3
172	SH00000146	WHEEL GEAR 4
173	SH00000147	WHEEL GEAR 5
174	SH00000148	WHEEL GEAR SHAFT 1
175	SH00000158	WHEEL R UNIT COVER
176	SH00000153	WHEEL CABLE
177	SH00000123	SCREW(M2.6X4 MACHINE)
178	SH00000159	AIR DUCT FRONT
179	SH00000160	AIR DUCT REAR
180	SH00000161	FAN MOTOR UNIT ASSY
181	SH00000162	FAN CUSHION
182	SH00000077	PHOTO SENSOR
183	SH00000163	INTAKE SEAL
184	SH00000164	CUP SENSOR CABLE
185	SH00000165	FAN MOTOR CABLE
186	SH00000111	SCREW(M4X10)
187	SH00000166	REAR CASTER FRAME
188	SH00000167	REAR CASTER SHAFT
189	SH00000135	U RING
190	SH00000168	CASTER ASSY
191	SH00000169	BUMPER
192	SH00000170	BUMPER DECO
193	SH00000171	US HOLDER C ASSY
194	SH00000172	US HOLDER L1 ASSY
195	SH00000173	US HOLDER L2 ASSY
196	SH00000174	US HOLDER L3 ASSY
197	SH00000175	US HOLDER R1 ASSY
198	SH00000176	US HOLDER R2 ASSY
199	SH00000177	US HOLDER R3 ASSY
200	SH00000245	US CABLE C
201	SH00000179	US CABLE 1
202	SH00000179	US CABLE 1

Nr.	Part nr.	Name
203	SH00000180	US CABLE 2
204	SH00000180	US CABLE 2
205	SH00000181	US CABLE 3
206	SH00000181	US CABLE 3
207	SH00000182	US EARTH CABLE
208	SH00000183	WASHER(4.5/25/T1)
209	SH00000111	SCREW(M4X10)
211	SH00000184	SCREW(M3X6)
212	SH00000184	SCREW(M3X6)
213	SH00000184	SCREW(M3X6)
214	SH00000184	SCREW(M3X6)
215	SH00000184	SCREW(M3X6)
216	SH00000184	SCREW(M3X6)
217	SH00000184	SCREW(M3X6)
218	SH00000185	UPPER BODY
219	SH00000247	CASE COVER K
220	SH00000187	HANDLE
222	SH00000189	UI BUTTON
223	SH00000190	UI PWB ASSY
224	SH00000191	UI PWB HOLDER
225	SH00000192	LED LENS L
226	SH00000193	LED LENS SEAL
227	SH00000194	LED REFLECTOR
228	SH00000195	LED PWB ASSY
229	SH00000196	BUZZER PWB ASSY
231	SH00000198	FILTER BUTTON SP
233	SH00000200	INTAKE PACKING
234	SH00000201	NOZZLE PACKING
235	SH00000202	NOZZLE SEAL
236	SH00000248	UI KEY SHEET
237	SH00000204	LED LENS S
238	SH00000205	EXHAUST FILTER ASSY
239	SH00000206	CATCH LATCH
240	SH00000249	UI CABLE
241	SH00000208	LED CABLE
242	SH00000110	SCREW(M3X8XWASHER8)
243	SH00000110	SCREW(M3X8XWASHER8)
244	SH00000110	SCREW(M3X8XWASHER8)
245	SH00000184	SCREW(M3X6)
246	SH00000071	SCREW(M3X10)
247	SH00000071	SCREW(M3X10)
248	SH00000071	SCREW(M3X10)
249	SH00000111	SCREW(M4X10)
250	SH00000209	DUST BOX LOWER
251	SH00000210	DUST CASE
252	SH00000211	DUST SEAL RING

Nr.	Part nr.	Name
253	SH00000212	DUST BOX UPPER
254	SH00000213	
255	SH00000214	DUST BOX COVER
256	SH00000215	DUST SLIDE LEVER
257	SH00000216	DUST BOX PIN
258	SH00000252	CAUTION LABEL
259	SH00000253	ROBOPRO LABEL
260	SH00000244	FERRITE CORE
261	SH00000244	FERRITE CORE
300	SH00000219	RF CONTROLLER ASSY
301	SH00000231	
005-1	SH00000267	CABLE COVER R
006-1	SH00000268	CABLE COVER
027-1	SH00000278	IR SENSOR C ASSY
028-1	SH00000278	IR SENSOR C ASSY
029-1	SH00000279	IR SENSOR S ASSY
030-1	SH00000279	IR SENSOR S ASSY
031-1	SH00000280	BL SENSOR ASSY
040-1	SH00000277	BUMPER ANGLE R
086-1	643523-1	TERMINAL
087-1	643523-1	TERMINAL
137-1	SH00000228	E RING
210-1	SH00000184	SCREW(M3X6)
221-1	SH00000269	HANDLE COVER
230-1	SH00000270	FILTER BUTTON
232-1	SH00000271	FILTER BUTTON HOLDER

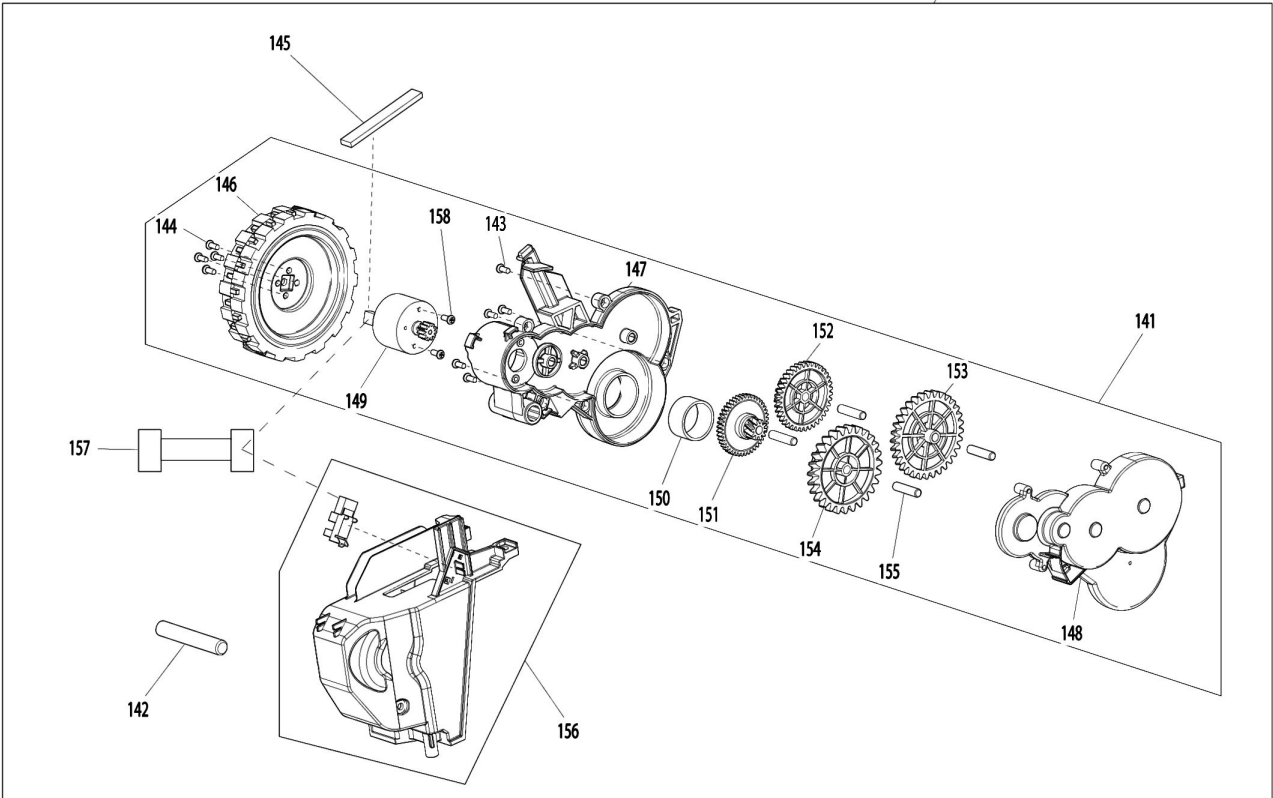
R

47



L

46



Nr.	Part nr.	Name
001	SH00000063	
002	SH00000064	
003	SH00000065	
004	SH00000066	FW COVER
007	SH00000069	SCREW(M4X8 MACHIN)
008	SH00000070	SB SCREW ASSY 2PCS
009	SH00000071	SCREW(M3X10)
010	SH00000071	SCREW(M3X10)
011	SH00000221	SCREW(M4X16)
012	SH00000221	SCREW(M4X16)
013	SH00000072	LOWER BODY ASSY
014	SH00000073	CONTROL PWB ASSY
015	SH00000241	RF MODULE
016	SH00000075	RF HOLDER
017	SH00000076	CONTROL HOLDER ASSY
018	SH00000078	AS PWB ASSY
019	SH00000079	BATTERY PWB ASSY
020	SH00000080	INSULATING SHEET
021	SH00000081	TERMINAL HOLDER L
022	SH00000082	TERMINAL HOLDER R
023	SH00000083	RUBBER PIN
024	SH00000083	RUBBER PIN
025	SH00000084	FRONT ROLLER SHAFT
026	SH00000085	FRONT ROLLER ASSY
032	SH00000222	SENSOR LENS SHEET
033	SH00000222	SENSOR LENS SHEET
035	SH00000222	SENSOR LENS SHEET
036	SH00000222	SENSOR LENS SHEET
037	SH00000222	SENSOR LENS SHEET
038	SH00000089	WEIGHT PLATE
039	SH00000090	BUMPER ANGLE L
041	SH00000092	BUMPER SPRING
042	SH00000092	BUMPER SPRING
043	SH00000093	SB UNIT L ASSY
044	SH00000094	SB UNIT R ASSY
045	SH00000095	PB SUPPORT S ASSY
046	SH00000096	MAIN WHEEL L ASSY
047	SH00000097	MAIN WHEEL R ASSY
048	SH00000098	WHEEL SPRING
049	SH00000098	WHEEL SPRING
050	SH00000099	AIR DUCT UNIT ASSY
051	SH00000101	BUMPER SW CABLE
052	SH00000101	BUMPER SW CABLE
053	SH00000223	COOLING FAN S ASSY
054	SH00000224	COOLING FAN SEAL
055	SH00000104	BATTERY CABLE L

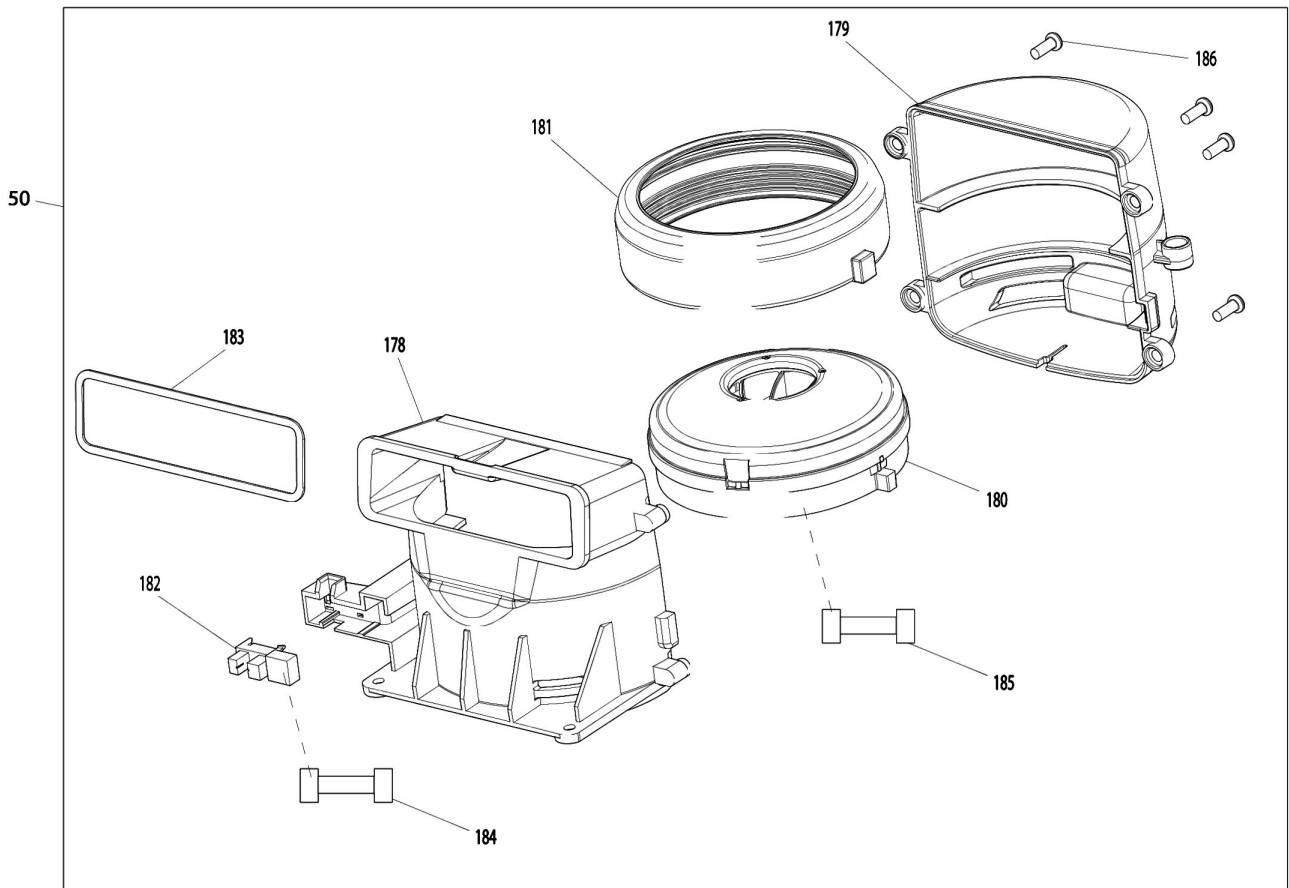
Nr.	Part nr.	Name
056	SH00000105	BATTERY CABLE R
057	SH00000106	BATTERY PS CABLE
058	SH00000107	BATTERY SIGNAL CABLE
059	SH00000108	BATTERY EARTH CABLE
060	SH00000109	AS CABLE
061	SH00000242	CLIFF SENSOR CABLE L
062	SH00000243	CLIFF SENSOR CABLE R
063	SH00000110	SCREW(M3X8XWASHER8)
064	SH00000110	SCREW(M3X8XWASHER8)
065	SH00000110	SCREW(M3X8XWASHER8)
066	SH00000111	SCREW(M4X10)
067	SH00000111	SCREW(M4X10)
068	SH00000111	SCREW(M4X10)
069	SH00000111	SCREW(M4X10)
070	SH00000111	SCREW(M4X10)
071	SH00000111	SCREW(M4X10)
072	SH00000111	SCREW(M4X10)
073	SH00000111	SCREW(M4X10)
074	SH00000111	SCREW(M4X10)
075	SH00000111	SCREW(M4X10)
076	SH00000111	SCREW(M4X10)
077	SH00000111	SCREW(M4X10)
078	SH00000111	SCREW(M4X10)
079	SH00000111	SCREW(M4X10)
080	SH00000111	SCREW(M4X10)
081	SH00000111	SCREW(M4X10)
082	SH00000111	SCREW(M4X10)
083	SH00000111	SCREW(M4X10)
084	SH00000112	WASHER(4.5X13XT1)
085	SH00000113	SCREW(M5X10XWASHER16)
088	SH00000226	PC WASHER
089	SH00000236	SENSOR LENZ SEAL
090	SH00000236	SENSOR LENZ SEAL
091	SH00000236	SENSOR LENZ SEAL
092	SH00000236	SENSOR LENZ SEAL
093	SH00000236	SENSOR LENZ SEAL
094	SH00000236	SENSOR LENZ SEAL
095	SH00000244	FERRITE CORE
101	SH00000114	MOTOR S ASSY
102	SH00000115	SB MOTOR HOLDER L
103	SH00000116	SB MOTOR COVER
104	SH00000117	SB METAL
105	SH00000118	SB GEAR 4 ASSY
106	SH00000119	SB GEAR 3
107	SH00000120	SB GEAR 2
108	SH00000121	COMMON SHAFT 1

Nr.	Part nr.	Name
109	SH00000122	SB GEAR SHAFT 1
110	SH00000123	SCREW(M2.6X4 MACHINE)
111	SH00000124	SIDE BRUSH CABLE
112	SH00000071	SCREW(M3X10)
113	SH00000227	MOTOR SEAL
114	SH00000114	MOTOR S ASSY
115	SH00000125	SB MOTOR HOLDER R
116	SH00000116	SB MOTOR COVER
117	SH00000117	SB METAL
118	SH00000120	SB GEAR 2
119	SH00000119	SB GEAR 3
120	SH00000118	SB GEAR 4 ASSY
121	SH00000121	COMMON SHAFT 1
122	SH00000122	SB GEAR SHAFT 1
123	SH00000123	SCREW(M2.6X4 MACHINE)
124	SH00000124	SIDE BRUSH CABLE
125	SH00000071	SCREW(M3X10)
126	SH00000227	MOTOR SEAL
127	SH00000126	PB MOTOR D ASSY
128	SH00000127	PB SUPPORT COVER K
129	SH00000129	PB BELT GEAR 2
130	SH00000130	BELT GEAR SHAFT
131	SH00000131	PB BELT GEAR 3
132	SH00000132	PB HOLDER ASSY
133	SH00000133	BEARING
134	SH00000133	BEARING
135	SH00000134	P WASHER 050
136	SH00000134	P WASHER 050
138	SH00000136	TIMING BELT
139	SH00000137	PB MOTOR CABLE
140	SH00000071	SCREW(M3X10)
141	SH00000139	MAIN WHEEL L UNIT
142	SH00000152	MAIN WHEEL SHAFT
143	SH00000071	SCREW(M3X10)
144	SH00000229	SCREW(M3X10)
145	SH00000227	MOTOR SEAL
146	SH00000150	WHEEL L ASSY
147	SH00000140	WHEEL GEAR BOX L
148	SH00000141	WHEEL GEAR COVER L
149	SH00000142	MW MOTOR S ASSY
150	SH00000143	WHEEL METAL RING
151	SH00000144	WHEEL GEAR 2
152	SH00000145	WHEEL GEAR 3
153	SH00000146	WHEEL GEAR 4
154	SH00000147	WHEEL GEAR 5
155	SH00000148	WHEEL GEAR SHAFT 1

Nr.	Part nr.	Name
156	SH00000151	WHEEL L UNIT COVER
157	SH00000153	WHEEL CABLE
158	SH00000123	SCREW(M2.6X4 MACHINE)
160	SH00000154	MAIN WHEEL R UNIT
161	SH00000152	MAIN WHEEL SHAFT
162	SH00000071	SCREW(M3X10)
163	SH00000229	SCREW(M3X10)
164	SH00000227	MOTOR SEAL
165	SH00000157	WHEEL R ASSY
166	SH00000155	WHEEL GEAR BOX R
167	SH00000156	WHEEL GEAR COVER R
168	SH00000142	MW MOTOR S ASSY
169	SH00000143	WHEEL METAL RING
170	SH00000144	WHEEL GEAR 2
171	SH00000145	WHEEL GEAR 3
172	SH00000146	WHEEL GEAR 4
173	SH00000147	WHEEL GEAR 5
174	SH00000148	WHEEL GEAR SHAFT 1
175	SH00000158	WHEEL R UNIT COVER
176	SH00000153	WHEEL CABLE
177	SH00000123	SCREW(M2.6X4 MACHINE)
178	SH00000159	AIR DUCT FRONT
179	SH00000160	AIR DUCT REAR
180	SH00000161	FAN MOTOR UNIT ASSY
181	SH00000162	FAN CUSHION
182	SH00000077	PHOTO SENSOR
183	SH00000163	INTAKE SEAL
184	SH00000164	CUP SENSOR CABLE
185	SH00000165	FAN MOTOR CABLE
186	SH00000111	SCREW(M4X10)
187	SH00000166	REAR CASTER FRAME
188	SH00000167	REAR CASTER SHAFT
189	SH00000135	U RING
190	SH00000168	CASTER ASSY
191	SH00000169	BUMPER
192	SH00000170	BUMPER DECO
193	SH00000171	US HOLDER C ASSY
194	SH00000172	US HOLDER L1 ASSY
195	SH00000173	US HOLDER L2 ASSY
196	SH00000174	US HOLDER L3 ASSY
197	SH00000175	US HOLDER R1 ASSY
198	SH00000176	US HOLDER R2 ASSY
199	SH00000177	US HOLDER R3 ASSY
200	SH00000245	US CABLE C
201	SH00000179	US CABLE 1
202	SH00000179	US CABLE 1

Nr.	Part nr.	Name
203	SH00000180	US CABLE 2
204	SH00000180	US CABLE 2
205	SH00000181	US CABLE 3
206	SH00000181	US CABLE 3
207	SH00000182	US EARTH CABLE
208	SH00000183	WASHER(4.5/25/T1)
209	SH00000111	SCREW(M4X10)
211	SH00000184	SCREW(M3X6)
212	SH00000184	SCREW(M3X6)
213	SH00000184	SCREW(M3X6)
214	SH00000184	SCREW(M3X6)
215	SH00000184	SCREW(M3X6)
216	SH00000184	SCREW(M3X6)
217	SH00000184	SCREW(M3X6)
218	SH00000185	UPPER BODY
219	SH00000247	CASE COVER K
220	SH00000187	HANDLE
222	SH00000189	UI BUTTON
223	SH00000190	UI PWB ASSY
224	SH00000191	UI PWB HOLDER
225	SH00000192	LED LENS L
226	SH00000193	LED LENS SEAL
227	SH00000194	LED REFLECTOR
228	SH00000195	LED PWB ASSY
229	SH00000196	BUZZER PWB ASSY
231	SH00000198	FILTER BUTTON SP
233	SH00000200	INTAKE PACKING
234	SH00000201	NOZZLE PACKING
235	SH00000202	NOZZLE SEAL
236	SH00000248	UI KEY SHEET
237	SH00000204	LED LENS S
238	SH00000205	EXHAUST FILTER ASSY
239	SH00000206	CATCH LATCH
240	SH00000249	UI CABLE
241	SH00000208	LED CABLE
242	SH00000110	SCREW(M3X8XWASHER8)
243	SH00000110	SCREW(M3X8XWASHER8)
244	SH00000110	SCREW(M3X8XWASHER8)
245	SH00000184	SCREW(M3X6)
246	SH00000071	SCREW(M3X10)
247	SH00000071	SCREW(M3X10)
248	SH00000071	SCREW(M3X10)
249	SH00000111	SCREW(M4X10)
250	SH00000209	DUST BOX LOWER
251	SH00000210	DUST CASE
252	SH00000211	DUST SEAL RING

Nr.	Part nr.	Name
253	SH00000212	DUST BOX UPPER
254	SH00000213	
255	SH00000214	DUST BOX COVER
256	SH00000215	DUST SLIDE LEVER
257	SH00000216	DUST BOX PIN
258	SH00000252	CAUTION LABEL
259	SH00000253	ROBOPRO LABEL
260	SH00000244	FERRITE CORE
261	SH00000244	FERRITE CORE
300	SH00000219	RF CONTROLLER ASSY
301	SH00000231	
005-1	SH00000267	CABLE COVER R
006-1	SH00000268	CABLE COVER
027-1	SH00000278	IR SENSOR C ASSY
028-1	SH00000278	IR SENSOR C ASSY
029-1	SH00000279	IR SENSOR S ASSY
030-1	SH00000279	IR SENSOR S ASSY
031-1	SH00000280	BL SENSOR ASSY
040-1	SH00000277	BUMPER ANGLE R
086-1	643523-1	TERMINAL
087-1	643523-1	TERMINAL
137-1	SH00000228	E RING
210-1	SH00000184	SCREW(M3X6)
221-1	SH00000269	HANDLE COVER
230-1	SH00000270	FILTER BUTTON
232-1	SH00000271	FILTER BUTTON HOLDER



Nr.	Part nr.	Name
001	SH00000063	
002	SH00000064	
003	SH00000065	
004	SH00000066	FW COVER
007	SH00000069	SCREW(M4X8 MACHIN)
008	SH00000070	SB SCREW ASSY 2PCS
009	SH00000071	SCREW(M3X10)
010	SH00000071	SCREW(M3X10)
011	SH00000221	SCREW(M4X16)
012	SH00000221	SCREW(M4X16)
013	SH00000072	LOWER BODY ASSY
014	SH00000073	CONTROL PWB ASSY
015	SH00000241	RF MODULE
016	SH00000075	RF HOLDER
017	SH00000076	CONTROL HOLDER ASSY
018	SH00000078	AS PWB ASSY
019	SH00000079	BATTERY PWB ASSY
020	SH00000080	INSULATING SHEET
021	SH00000081	TERMINAL HOLDER L
022	SH00000082	TERMINAL HOLDER R
023	SH00000083	RUBBER PIN
024	SH00000083	RUBBER PIN
025	SH00000084	FRONT ROLLER SHAFT
026	SH00000085	FRONT ROLLER ASSY
032	SH00000222	SENSOR LENS SHEET
033	SH00000222	SENSOR LENS SHEET
035	SH00000222	SENSOR LENS SHEET
036	SH00000222	SENSOR LENS SHEET
037	SH00000222	SENSOR LENS SHEET
038	SH00000089	WEIGHT PLATE
039	SH00000090	BUMPER ANGLE L
041	SH00000092	BUMPER SPRING
042	SH00000092	BUMPER SPRING
043	SH00000093	SB UNIT L ASSY
044	SH00000094	SB UNIT R ASSY
045	SH00000095	PB SUPPORT S ASSY
046	SH00000096	MAIN WHEEL L ASSY
047	SH00000097	MAIN WHEEL R ASSY
048	SH00000098	WHEEL SPRING
049	SH00000098	WHEEL SPRING
050	SH00000099	AIR DUCT UNIT ASSY
051	SH00000101	BUMPER SW CABLE
052	SH00000101	BUMPER SW CABLE
053	SH00000223	COOLING FAN S ASSY
054	SH00000224	COOLING FAN SEAL
055	SH00000104	BATTERY CABLE L

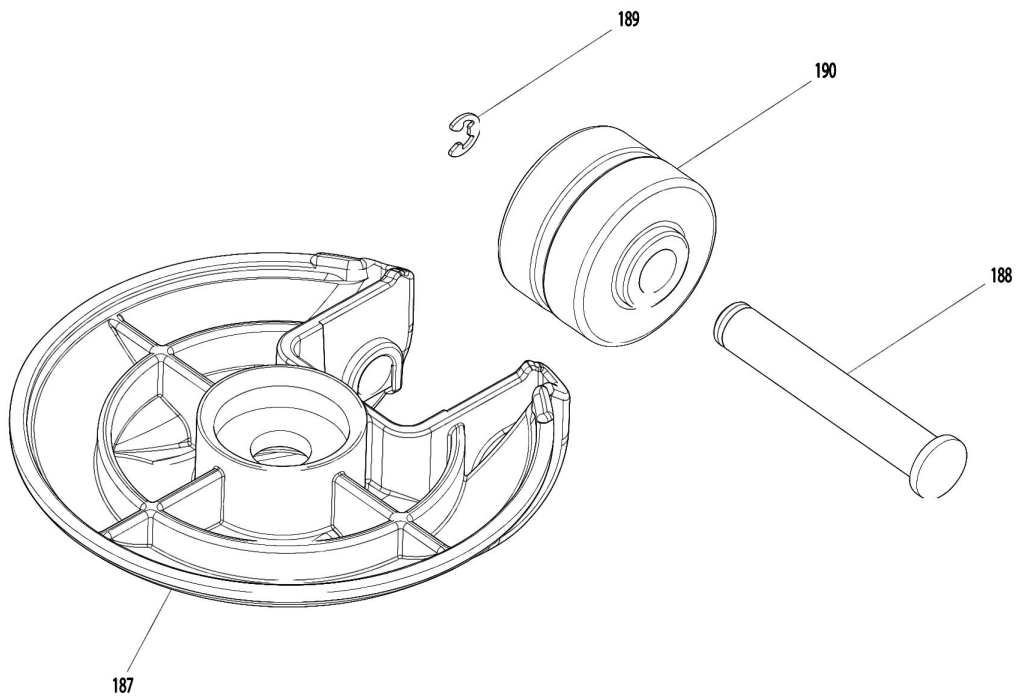
Nr.	Part nr.	Name
056	SH00000105	BATTERY CABLE R
057	SH00000106	BATTERY PS CABLE
058	SH00000107	BATTERY SIGNAL CABLE
059	SH00000108	BATTERY EARTH CABLE
060	SH00000109	AS CABLE
061	SH00000242	CLIFF SENSOR CABLE L
062	SH00000243	CLIFF SENSOR CABLE R
063	SH00000110	SCREW(M3X8XWASHER8)
064	SH00000110	SCREW(M3X8XWASHER8)
065	SH00000110	SCREW(M3X8XWASHER8)
066	SH00000111	SCREW(M4X10)
067	SH00000111	SCREW(M4X10)
068	SH00000111	SCREW(M4X10)
069	SH00000111	SCREW(M4X10)
070	SH00000111	SCREW(M4X10)
071	SH00000111	SCREW(M4X10)
072	SH00000111	SCREW(M4X10)
073	SH00000111	SCREW(M4X10)
074	SH00000111	SCREW(M4X10)
075	SH00000111	SCREW(M4X10)
076	SH00000111	SCREW(M4X10)
077	SH00000111	SCREW(M4X10)
078	SH00000111	SCREW(M4X10)
079	SH00000111	SCREW(M4X10)
080	SH00000111	SCREW(M4X10)
081	SH00000111	SCREW(M4X10)
082	SH00000111	SCREW(M4X10)
083	SH00000111	SCREW(M4X10)
084	SH00000112	WASHER(4.5X13XT1)
085	SH00000113	SCREW(M5X10XWASHER16)
088	SH00000226	PC WASHER
089	SH00000236	SENSOR LENZ SEAL
090	SH00000236	SENSOR LENZ SEAL
091	SH00000236	SENSOR LENZ SEAL
092	SH00000236	SENSOR LENZ SEAL
093	SH00000236	SENSOR LENZ SEAL
094	SH00000236	SENSOR LENZ SEAL
095	SH00000244	FERRITE CORE
101	SH00000114	MOTOR S ASSY
102	SH00000115	SB MOTOR HOLDER L
103	SH00000116	SB MOTOR COVER
104	SH00000117	SB METAL
105	SH00000118	SB GEAR 4 ASSY
106	SH00000119	SB GEAR 3
107	SH00000120	SB GEAR 2
108	SH00000121	COMMON SHAFT 1

Nr.	Part nr.	Name
109	SH00000122	SB GEAR SHAFT 1
110	SH00000123	SCREW(M2.6X4 MACHINE)
111	SH00000124	SIDE BRUSH CABLE
112	SH00000071	SCREW(M3X10)
113	SH00000227	MOTOR SEAL
114	SH00000114	MOTOR S ASSY
115	SH00000125	SB MOTOR HOLDER R
116	SH00000116	SB MOTOR COVER
117	SH00000117	SB METAL
118	SH00000120	SB GEAR 2
119	SH00000119	SB GEAR 3
120	SH00000118	SB GEAR 4 ASSY
121	SH00000121	COMMON SHAFT 1
122	SH00000122	SB GEAR SHAFT 1
123	SH00000123	SCREW(M2.6X4 MACHINE)
124	SH00000124	SIDE BRUSH CABLE
125	SH00000071	SCREW(M3X10)
126	SH00000227	MOTOR SEAL
127	SH00000126	PB MOTOR D ASSY
128	SH00000127	PB SUPPORT COVER K
129	SH00000129	PB BELT GEAR 2
130	SH00000130	BELT GEAR SHAFT
131	SH00000131	PB BELT GEAR 3
132	SH00000132	PB HOLDER ASSY
133	SH00000133	BEARING
134	SH00000133	BEARING
135	SH00000134	P WASHER 050
136	SH00000134	P WASHER 050
138	SH00000136	TIMING BELT
139	SH00000137	PB MOTOR CABLE
140	SH00000071	SCREW(M3X10)
141	SH00000139	MAIN WHEEL L UNIT
142	SH00000152	MAIN WHEEL SHAFT
143	SH00000071	SCREW(M3X10)
144	SH00000229	SCREW(M3X10)
145	SH00000227	MOTOR SEAL
146	SH00000150	WHEEL L ASSY
147	SH00000140	WHEEL GEAR BOX L
148	SH00000141	WHEEL GEAR COVER L
149	SH00000142	MW MOTOR S ASSY
150	SH00000143	WHEEL METAL RING
151	SH00000144	WHEEL GEAR 2
152	SH00000145	WHEEL GEAR 3
153	SH00000146	WHEEL GEAR 4
154	SH00000147	WHEEL GEAR 5
155	SH00000148	WHEEL GEAR SHAFT 1

Nr.	Part nr.	Name
156	SH00000151	WHEEL L UNIT COVER
157	SH00000153	WHEEL CABLE
158	SH00000123	SCREW(M2.6X4 MACHINE)
160	SH00000154	MAIN WHEEL R UNIT
161	SH00000152	MAIN WHEEL SHAFT
162	SH00000071	SCREW(M3X10)
163	SH00000229	SCREW(M3X10)
164	SH00000227	MOTOR SEAL
165	SH00000157	WHEEL R ASSY
166	SH00000155	WHEEL GEAR BOX R
167	SH00000156	WHEEL GEAR COVER R
168	SH00000142	MW MOTOR S ASSY
169	SH00000143	WHEEL METAL RING
170	SH00000144	WHEEL GEAR 2
171	SH00000145	WHEEL GEAR 3
172	SH00000146	WHEEL GEAR 4
173	SH00000147	WHEEL GEAR 5
174	SH00000148	WHEEL GEAR SHAFT 1
175	SH00000158	WHEEL R UNIT COVER
176	SH00000153	WHEEL CABLE
177	SH00000123	SCREW(M2.6X4 MACHINE)
178	SH00000159	AIR DUCT FRONT
179	SH00000160	AIR DUCT REAR
180	SH00000161	FAN MOTOR UNIT ASSY
181	SH00000162	FAN CUSHION
182	SH00000077	PHOTO SENSOR
183	SH00000163	INTAKE SEAL
184	SH00000164	CUP SENSOR CABLE
185	SH00000165	FAN MOTOR CABLE
186	SH00000111	SCREW(M4X10)
187	SH00000166	REAR CASTER FRAME
188	SH00000167	REAR CASTER SHAFT
189	SH00000135	U RING
190	SH00000168	CASTER ASSY
191	SH00000169	BUMPER
192	SH00000170	BUMPER DECO
193	SH00000171	US HOLDER C ASSY
194	SH00000172	US HOLDER L1 ASSY
195	SH00000173	US HOLDER L2 ASSY
196	SH00000174	US HOLDER L3 ASSY
197	SH00000175	US HOLDER R1 ASSY
198	SH00000176	US HOLDER R2 ASSY
199	SH00000177	US HOLDER R3 ASSY
200	SH00000245	US CABLE C
201	SH00000179	US CABLE 1
202	SH00000179	US CABLE 1

Nr.	Part nr.	Name
203	SH00000180	US CABLE 2
204	SH00000180	US CABLE 2
205	SH00000181	US CABLE 3
206	SH00000181	US CABLE 3
207	SH00000182	US EARTH CABLE
208	SH00000183	WASHER(4.5/25/T1)
209	SH00000111	SCREW(M4X10)
211	SH00000184	SCREW(M3X6)
212	SH00000184	SCREW(M3X6)
213	SH00000184	SCREW(M3X6)
214	SH00000184	SCREW(M3X6)
215	SH00000184	SCREW(M3X6)
216	SH00000184	SCREW(M3X6)
217	SH00000184	SCREW(M3X6)
218	SH00000185	UPPER BODY
219	SH00000247	CASE COVER K
220	SH00000187	HANDLE
222	SH00000189	UI BUTTON
223	SH00000190	UI PWB ASSY
224	SH00000191	UI PWB HOLDER
225	SH00000192	LED LENS L
226	SH00000193	LED LENS SEAL
227	SH00000194	LED REFLECTOR
228	SH00000195	LED PWB ASSY
229	SH00000196	BUZZER PWB ASSY
231	SH00000198	FILTER BUTTON SP
233	SH00000200	INTAKE PACKING
234	SH00000201	NOZZLE PACKING
235	SH00000202	NOZZLE SEAL
236	SH00000248	UI KEY SHEET
237	SH00000204	LED LENS S
238	SH00000205	EXHAUST FILTER ASSY
239	SH00000206	CATCH LATCH
240	SH00000249	UI CABLE
241	SH00000208	LED CABLE
242	SH00000110	SCREW(M3X8XWASHER8)
243	SH00000110	SCREW(M3X8XWASHER8)
244	SH00000110	SCREW(M3X8XWASHER8)
245	SH00000184	SCREW(M3X6)
246	SH00000071	SCREW(M3X10)
247	SH00000071	SCREW(M3X10)
248	SH00000071	SCREW(M3X10)
249	SH00000111	SCREW(M4X10)
250	SH00000209	DUST BOX LOWER
251	SH00000210	DUST CASE
252	SH00000211	DUST SEAL RING

Nr.	Part nr.	Name
253	SH00000212	DUST BOX UPPER
254	SH00000213	
255	SH00000214	DUST BOX COVER
256	SH00000215	DUST SLIDE LEVER
257	SH00000216	DUST BOX PIN
258	SH00000252	CAUTION LABEL
259	SH00000253	ROBOPRO LABEL
260	SH00000244	FERRITE CORE
261	SH00000244	FERRITE CORE
300	SH00000219	RF CONTROLLER ASSY
301	SH00000231	
005-1	SH00000267	CABLE COVER R
006-1	SH00000268	CABLE COVER
027-1	SH00000278	IR SENSOR C ASSY
028-1	SH00000278	IR SENSOR C ASSY
029-1	SH00000279	IR SENSOR S ASSY
030-1	SH00000279	IR SENSOR S ASSY
031-1	SH00000280	BL SENSOR ASSY
040-1	SH00000277	BUMPER ANGLE R
086-1	643523-1	TERMINAL
087-1	643523-1	TERMINAL
137-1	SH00000228	E RING
210-1	SH00000184	SCREW(M3X6)
221-1	SH00000269	HANDLE COVER
230-1	SH00000270	FILTER BUTTON
232-1	SH00000271	FILTER BUTTON HOLDER



Nr.	Part nr.	Name
001	SH00000063	
002	SH00000064	
003	SH00000065	
004	SH00000066	FW COVER
007	SH00000069	SCREW(M4X8 MACHIN)
008	SH00000070	SB SCREW ASSY 2PCS
009	SH00000071	SCREW(M3X10)
010	SH00000071	SCREW(M3X10)
011	SH00000221	SCREW(M4X16)
012	SH00000221	SCREW(M4X16)
013	SH00000072	LOWER BODY ASSY
014	SH00000073	CONTROL PWB ASSY
015	SH00000241	RF MODULE
016	SH00000075	RF HOLDER
017	SH00000076	CONTROL HOLDER ASSY
018	SH00000078	AS PWB ASSY
019	SH00000079	BATTERY PWB ASSY
020	SH00000080	INSULATING SHEET
021	SH00000081	TERMINAL HOLDER L
022	SH00000082	TERMINAL HOLDER R
023	SH00000083	RUBBER PIN
024	SH00000083	RUBBER PIN
025	SH00000084	FRONT ROLLER SHAFT
026	SH00000085	FRONT ROLLER ASSY
032	SH00000222	SENSOR LENS SHEET
033	SH00000222	SENSOR LENS SHEET
035	SH00000222	SENSOR LENS SHEET
036	SH00000222	SENSOR LENS SHEET
037	SH00000222	SENSOR LENS SHEET
038	SH00000089	WEIGHT PLATE
039	SH00000090	BUMPER ANGLE L
041	SH00000092	BUMPER SPRING
042	SH00000092	BUMPER SPRING
043	SH00000093	SB UNIT L ASSY
044	SH00000094	SB UNIT R ASSY
045	SH00000095	PB SUPPORT S ASSY
046	SH00000096	MAIN WHEEL L ASSY
047	SH00000097	MAIN WHEEL R ASSY
048	SH00000098	WHEEL SPRING
049	SH00000098	WHEEL SPRING
050	SH00000099	AIR DUCT UNIT ASSY
051	SH00000101	BUMPER SW CABLE
052	SH00000101	BUMPER SW CABLE
053	SH00000223	COOLING FAN S ASSY
054	SH00000224	COOLING FAN SEAL
055	SH00000104	BATTERY CABLE L

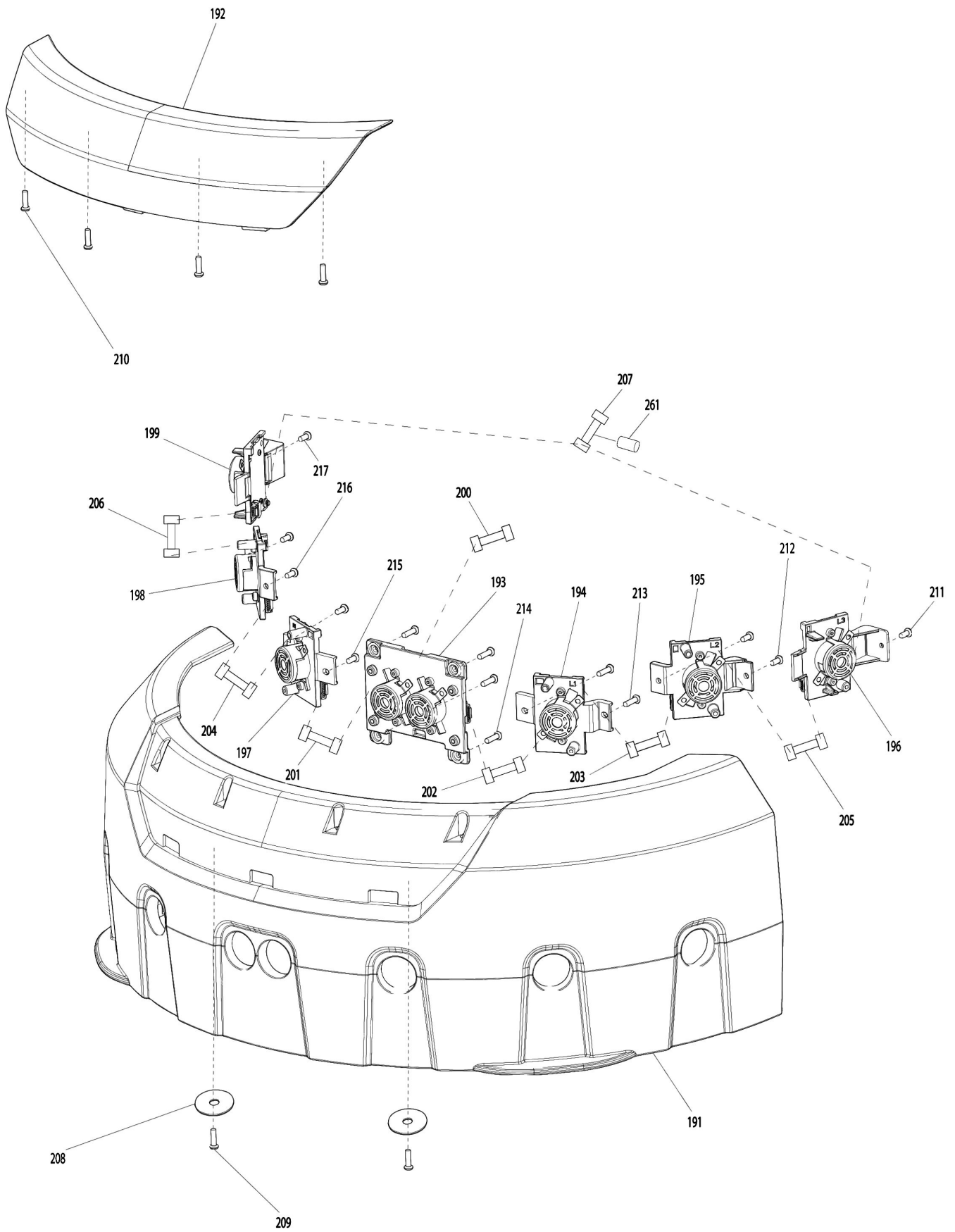
Nr.	Part nr.	Name
056	SH00000105	BATTERY CABLE R
057	SH00000106	BATTERY PS CABLE
058	SH00000107	BATTERY SIGNAL CABLE
059	SH00000108	BATTERY EARTH CABLE
060	SH00000109	AS CABLE
061	SH00000242	CLIFF SENSOR CABLE L
062	SH00000243	CLIFF SENSOR CABLE R
063	SH00000110	SCREW(M3X8XWASHER8)
064	SH00000110	SCREW(M3X8XWASHER8)
065	SH00000110	SCREW(M3X8XWASHER8)
066	SH00000111	SCREW(M4X10)
067	SH00000111	SCREW(M4X10)
068	SH00000111	SCREW(M4X10)
069	SH00000111	SCREW(M4X10)
070	SH00000111	SCREW(M4X10)
071	SH00000111	SCREW(M4X10)
072	SH00000111	SCREW(M4X10)
073	SH00000111	SCREW(M4X10)
074	SH00000111	SCREW(M4X10)
075	SH00000111	SCREW(M4X10)
076	SH00000111	SCREW(M4X10)
077	SH00000111	SCREW(M4X10)
078	SH00000111	SCREW(M4X10)
079	SH00000111	SCREW(M4X10)
080	SH00000111	SCREW(M4X10)
081	SH00000111	SCREW(M4X10)
082	SH00000111	SCREW(M4X10)
083	SH00000111	SCREW(M4X10)
084	SH00000112	WASHER(4.5X13XT1)
085	SH00000113	SCREW(M5X10XWASHER16)
088	SH00000226	PC WASHER
089	SH00000236	SENSOR LENZ SEAL
090	SH00000236	SENSOR LENZ SEAL
091	SH00000236	SENSOR LENZ SEAL
092	SH00000236	SENSOR LENZ SEAL
093	SH00000236	SENSOR LENZ SEAL
094	SH00000236	SENSOR LENZ SEAL
095	SH00000244	FERRITE CORE
101	SH00000114	MOTOR S ASSY
102	SH00000115	SB MOTOR HOLDER L
103	SH00000116	SB MOTOR COVER
104	SH00000117	SB METAL
105	SH00000118	SB GEAR 4 ASSY
106	SH00000119	SB GEAR 3
107	SH00000120	SB GEAR 2
108	SH00000121	COMMON SHAFT 1

Nr.	Part nr.	Name
109	SH00000122	SB GEAR SHAFT 1
110	SH00000123	SCREW(M2.6X4 MACHINE)
111	SH00000124	SIDE BRUSH CABLE
112	SH00000071	SCREW(M3X10)
113	SH00000227	MOTOR SEAL
114	SH00000114	MOTOR S ASSY
115	SH00000125	SB MOTOR HOLDER R
116	SH00000116	SB MOTOR COVER
117	SH00000117	SB METAL
118	SH00000120	SB GEAR 2
119	SH00000119	SB GEAR 3
120	SH00000118	SB GEAR 4 ASSY
121	SH00000121	COMMON SHAFT 1
122	SH00000122	SB GEAR SHAFT 1
123	SH00000123	SCREW(M2.6X4 MACHINE)
124	SH00000124	SIDE BRUSH CABLE
125	SH00000071	SCREW(M3X10)
126	SH00000227	MOTOR SEAL
127	SH00000126	PB MOTOR D ASSY
128	SH00000127	PB SUPPORT COVER K
129	SH00000129	PB BELT GEAR 2
130	SH00000130	BELT GEAR SHAFT
131	SH00000131	PB BELT GEAR 3
132	SH00000132	PB HOLDER ASSY
133	SH00000133	BEARING
134	SH00000133	BEARING
135	SH00000134	P WASHER 050
136	SH00000134	P WASHER 050
138	SH00000136	TIMING BELT
139	SH00000137	PB MOTOR CABLE
140	SH00000071	SCREW(M3X10)
141	SH00000139	MAIN WHEEL L UNIT
142	SH00000152	MAIN WHEEL SHAFT
143	SH00000071	SCREW(M3X10)
144	SH00000229	SCREW(M3X10)
145	SH00000227	MOTOR SEAL
146	SH00000150	WHEEL L ASSY
147	SH00000140	WHEEL GEAR BOX L
148	SH00000141	WHEEL GEAR COVER L
149	SH00000142	MW MOTOR S ASSY
150	SH00000143	WHEEL METAL RING
151	SH00000144	WHEEL GEAR 2
152	SH00000145	WHEEL GEAR 3
153	SH00000146	WHEEL GEAR 4
154	SH00000147	WHEEL GEAR 5
155	SH00000148	WHEEL GEAR SHAFT 1

Nr.	Part nr.	Name
156	SH00000151	WHEEL L UNIT COVER
157	SH00000153	WHEEL CABLE
158	SH00000123	SCREW(M2.6X4 MACHINE)
160	SH00000154	MAIN WHEEL R UNIT
161	SH00000152	MAIN WHEEL SHAFT
162	SH00000071	SCREW(M3X10)
163	SH00000229	SCREW(M3X10)
164	SH00000227	MOTOR SEAL
165	SH00000157	WHEEL R ASSY
166	SH00000155	WHEEL GEAR BOX R
167	SH00000156	WHEEL GEAR COVER R
168	SH00000142	MW MOTOR S ASSY
169	SH00000143	WHEEL METAL RING
170	SH00000144	WHEEL GEAR 2
171	SH00000145	WHEEL GEAR 3
172	SH00000146	WHEEL GEAR 4
173	SH00000147	WHEEL GEAR 5
174	SH00000148	WHEEL GEAR SHAFT 1
175	SH00000158	WHEEL R UNIT COVER
176	SH00000153	WHEEL CABLE
177	SH00000123	SCREW(M2.6X4 MACHINE)
178	SH00000159	AIR DUCT FRONT
179	SH00000160	AIR DUCT REAR
180	SH00000161	FAN MOTOR UNIT ASSY
181	SH00000162	FAN CUSHION
182	SH00000077	PHOTO SENSOR
183	SH00000163	INTAKE SEAL
184	SH00000164	CUP SENSOR CABLE
185	SH00000165	FAN MOTOR CABLE
186	SH00000111	SCREW(M4X10)
187	SH00000166	REAR CASTER FRAME
188	SH00000167	REAR CASTER SHAFT
189	SH00000135	U RING
190	SH00000168	CASTER ASSY
191	SH00000169	BUMPER
192	SH00000170	BUMPER DECO
193	SH00000171	US HOLDER C ASSY
194	SH00000172	US HOLDER L1 ASSY
195	SH00000173	US HOLDER L2 ASSY
196	SH00000174	US HOLDER L3 ASSY
197	SH00000175	US HOLDER R1 ASSY
198	SH00000176	US HOLDER R2 ASSY
199	SH00000177	US HOLDER R3 ASSY
200	SH00000245	US CABLE C
201	SH00000179	US CABLE 1
202	SH00000179	US CABLE 1

Nr.	Part nr.	Name
203	SH00000180	US CABLE 2
204	SH00000180	US CABLE 2
205	SH00000181	US CABLE 3
206	SH00000181	US CABLE 3
207	SH00000182	US EARTH CABLE
208	SH00000183	WASHER(4.5/25/T1)
209	SH00000111	SCREW(M4X10)
211	SH00000184	SCREW(M3X6)
212	SH00000184	SCREW(M3X6)
213	SH00000184	SCREW(M3X6)
214	SH00000184	SCREW(M3X6)
215	SH00000184	SCREW(M3X6)
216	SH00000184	SCREW(M3X6)
217	SH00000184	SCREW(M3X6)
218	SH00000185	UPPER BODY
219	SH00000247	CASE COVER K
220	SH00000187	HANDLE
222	SH00000189	UI BUTTON
223	SH00000190	UI PWB ASSY
224	SH00000191	UI PWB HOLDER
225	SH00000192	LED LENS L
226	SH00000193	LED LENS SEAL
227	SH00000194	LED REFLECTOR
228	SH00000195	LED PWB ASSY
229	SH00000196	BUZZER PWB ASSY
231	SH00000198	FILTER BUTTON SP
233	SH00000200	INTAKE PACKING
234	SH00000201	NOZZLE PACKING
235	SH00000202	NOZZLE SEAL
236	SH00000248	UI KEY SHEET
237	SH00000204	LED LENS S
238	SH00000205	EXHAUST FILTER ASSY
239	SH00000206	CATCH LATCH
240	SH00000249	UI CABLE
241	SH00000208	LED CABLE
242	SH00000110	SCREW(M3X8XWASHER8)
243	SH00000110	SCREW(M3X8XWASHER8)
244	SH00000110	SCREW(M3X8XWASHER8)
245	SH00000184	SCREW(M3X6)
246	SH00000071	SCREW(M3X10)
247	SH00000071	SCREW(M3X10)
248	SH00000071	SCREW(M3X10)
249	SH00000111	SCREW(M4X10)
250	SH00000209	DUST BOX LOWER
251	SH00000210	DUST CASE
252	SH00000211	DUST SEAL RING

Nr.	Part nr.	Name
253	SH00000212	DUST BOX UPPER
254	SH00000213	
255	SH00000214	DUST BOX COVER
256	SH00000215	DUST SLIDE LEVER
257	SH00000216	DUST BOX PIN
258	SH00000252	CAUTION LABEL
259	SH00000253	ROBOPRO LABEL
260	SH00000244	FERRITE CORE
261	SH00000244	FERRITE CORE
300	SH00000219	RF CONTROLLER ASSY
301	SH00000231	
005-1	SH00000267	CABLE COVER R
006-1	SH00000268	CABLE COVER
027-1	SH00000278	IR SENSOR C ASSY
028-1	SH00000278	IR SENSOR C ASSY
029-1	SH00000279	IR SENSOR S ASSY
030-1	SH00000279	IR SENSOR S ASSY
031-1	SH00000280	BL SENSOR ASSY
040-1	SH00000277	BUMPER ANGLE R
086-1	643523-1	TERMINAL
087-1	643523-1	TERMINAL
137-1	SH00000228	E RING
210-1	SH00000184	SCREW(M3X6)
221-1	SH00000269	HANDLE COVER
230-1	SH00000270	FILTER BUTTON
232-1	SH00000271	FILTER BUTTON HOLDER



Nr.	Part nr.	Name
001	SH00000063	
002	SH00000064	
003	SH00000065	
004	SH00000066	FW COVER
007	SH00000069	SCREW(M4X8 MACHIN)
008	SH00000070	SB SCREW ASSY 2PCS
009	SH00000071	SCREW(M3X10)
010	SH00000071	SCREW(M3X10)
011	SH00000221	SCREW(M4X16)
012	SH00000221	SCREW(M4X16)
013	SH00000072	LOWER BODY ASSY
014	SH00000073	CONTROL PWB ASSY
015	SH00000241	RF MODULE
016	SH00000075	RF HOLDER
017	SH00000076	CONTROL HOLDER ASSY
018	SH00000078	AS PWB ASSY
019	SH00000079	BATTERY PWB ASSY
020	SH00000080	INSULATING SHEET
021	SH00000081	TERMINAL HOLDER L
022	SH00000082	TERMINAL HOLDER R
023	SH00000083	RUBBER PIN
024	SH00000083	RUBBER PIN
025	SH00000084	FRONT ROLLER SHAFT
026	SH00000085	FRONT ROLLER ASSY
032	SH00000222	SENSOR LENS SHEET
033	SH00000222	SENSOR LENS SHEET
035	SH00000222	SENSOR LENS SHEET
036	SH00000222	SENSOR LENS SHEET
037	SH00000222	SENSOR LENS SHEET
038	SH00000089	WEIGHT PLATE
039	SH00000090	BUMPER ANGLE L
041	SH00000092	BUMPER SPRING
042	SH00000092	BUMPER SPRING
043	SH00000093	SB UNIT L ASSY
044	SH00000094	SB UNIT R ASSY
045	SH00000095	PB SUPPORT S ASSY
046	SH00000096	MAIN WHEEL L ASSY
047	SH00000097	MAIN WHEEL R ASSY
048	SH00000098	WHEEL SPRING
049	SH00000098	WHEEL SPRING
050	SH00000099	AIR DUCT UNIT ASSY
051	SH00000101	BUMPER SW CABLE
052	SH00000101	BUMPER SW CABLE
053	SH00000223	COOLING FAN S ASSY
054	SH00000224	COOLING FAN SEAL
055	SH00000104	BATTERY CABLE L

Nr.	Part nr.	Name
056	SH00000105	BATTERY CABLE R
057	SH00000106	BATTERY PS CABLE
058	SH00000107	BATTERY SIGNAL CABLE
059	SH00000108	BATTERY EARTH CABLE
060	SH00000109	AS CABLE
061	SH00000242	CLIFF SENSOR CABLE L
062	SH00000243	CLIFF SENSOR CABLE R
063	SH00000110	SCREW(M3X8XWASHER8)
064	SH00000110	SCREW(M3X8XWASHER8)
065	SH00000110	SCREW(M3X8XWASHER8)
066	SH00000111	SCREW(M4X10)
067	SH00000111	SCREW(M4X10)
068	SH00000111	SCREW(M4X10)
069	SH00000111	SCREW(M4X10)
070	SH00000111	SCREW(M4X10)
071	SH00000111	SCREW(M4X10)
072	SH00000111	SCREW(M4X10)
073	SH00000111	SCREW(M4X10)
074	SH00000111	SCREW(M4X10)
075	SH00000111	SCREW(M4X10)
076	SH00000111	SCREW(M4X10)
077	SH00000111	SCREW(M4X10)
078	SH00000111	SCREW(M4X10)
079	SH00000111	SCREW(M4X10)
080	SH00000111	SCREW(M4X10)
081	SH00000111	SCREW(M4X10)
082	SH00000111	SCREW(M4X10)
083	SH00000111	SCREW(M4X10)
084	SH00000112	WASHER(4.5X13XT1)
085	SH00000113	SCREW(M5X10XWASHER16)
088	SH00000226	PC WASHER
089	SH00000236	SENSOR LENZ SEAL
090	SH00000236	SENSOR LENZ SEAL
091	SH00000236	SENSOR LENZ SEAL
092	SH00000236	SENSOR LENZ SEAL
093	SH00000236	SENSOR LENZ SEAL
094	SH00000236	SENSOR LENZ SEAL
095	SH00000244	FERRITE CORE
101	SH00000114	MOTOR S ASSY
102	SH00000115	SB MOTOR HOLDER L
103	SH00000116	SB MOTOR COVER
104	SH00000117	SB METAL
105	SH00000118	SB GEAR 4 ASSY
106	SH00000119	SB GEAR 3
107	SH00000120	SB GEAR 2
108	SH00000121	COMMON SHAFT 1

Nr.	Part nr.	Name
109	SH00000122	SB GEAR SHAFT 1
110	SH00000123	SCREW(M2.6X4 MACHINE)
111	SH00000124	SIDE BRUSH CABLE
112	SH00000071	SCREW(M3X10)
113	SH00000227	MOTOR SEAL
114	SH00000114	MOTOR S ASSY
115	SH00000125	SB MOTOR HOLDER R
116	SH00000116	SB MOTOR COVER
117	SH00000117	SB METAL
118	SH00000120	SB GEAR 2
119	SH00000119	SB GEAR 3
120	SH00000118	SB GEAR 4 ASSY
121	SH00000121	COMMON SHAFT 1
122	SH00000122	SB GEAR SHAFT 1
123	SH00000123	SCREW(M2.6X4 MACHINE)
124	SH00000124	SIDE BRUSH CABLE
125	SH00000071	SCREW(M3X10)
126	SH00000227	MOTOR SEAL
127	SH00000126	PB MOTOR D ASSY
128	SH00000127	PB SUPPORT COVER K
129	SH00000129	PB BELT GEAR 2
130	SH00000130	BELT GEAR SHAFT
131	SH00000131	PB BELT GEAR 3
132	SH00000132	PB HOLDER ASSY
133	SH00000133	BEARING
134	SH00000133	BEARING
135	SH00000134	P WASHER 050
136	SH00000134	P WASHER 050
138	SH00000136	TIMING BELT
139	SH00000137	PB MOTOR CABLE
140	SH00000071	SCREW(M3X10)
141	SH00000139	MAIN WHEEL L UNIT
142	SH00000152	MAIN WHEEL SHAFT
143	SH00000071	SCREW(M3X10)
144	SH00000229	SCREW(M3X10)
145	SH00000227	MOTOR SEAL
146	SH00000150	WHEEL L ASSY
147	SH00000140	WHEEL GEAR BOX L
148	SH00000141	WHEEL GEAR COVER L
149	SH00000142	MW MOTOR S ASSY
150	SH00000143	WHEEL METAL RING
151	SH00000144	WHEEL GEAR 2
152	SH00000145	WHEEL GEAR 3
153	SH00000146	WHEEL GEAR 4
154	SH00000147	WHEEL GEAR 5
155	SH00000148	WHEEL GEAR SHAFT 1

Nr.	Part nr.	Name
156	SH00000151	WHEEL L UNIT COVER
157	SH00000153	WHEEL CABLE
158	SH00000123	SCREW(M2.6X4 MACHINE)
160	SH00000154	MAIN WHEEL R UNIT
161	SH00000152	MAIN WHEEL SHAFT
162	SH00000071	SCREW(M3X10)
163	SH00000229	SCREW(M3X10)
164	SH00000227	MOTOR SEAL
165	SH00000157	WHEEL R ASSY
166	SH00000155	WHEEL GEAR BOX R
167	SH00000156	WHEEL GEAR COVER R
168	SH00000142	MW MOTOR S ASSY
169	SH00000143	WHEEL METAL RING
170	SH00000144	WHEEL GEAR 2
171	SH00000145	WHEEL GEAR 3
172	SH00000146	WHEEL GEAR 4
173	SH00000147	WHEEL GEAR 5
174	SH00000148	WHEEL GEAR SHAFT 1
175	SH00000158	WHEEL R UNIT COVER
176	SH00000153	WHEEL CABLE
177	SH00000123	SCREW(M2.6X4 MACHINE)
178	SH00000159	AIR DUCT FRONT
179	SH00000160	AIR DUCT REAR
180	SH00000161	FAN MOTOR UNIT ASSY
181	SH00000162	FAN CUSHION
182	SH00000077	PHOTO SENSOR
183	SH00000163	INTAKE SEAL
184	SH00000164	CUP SENSOR CABLE
185	SH00000165	FAN MOTOR CABLE
186	SH00000111	SCREW(M4X10)
187	SH00000166	REAR CASTER FRAME
188	SH00000167	REAR CASTER SHAFT
189	SH00000135	U RING
190	SH00000168	CASTER ASSY
191	SH00000169	BUMPER
192	SH00000170	BUMPER DECO
193	SH00000171	US HOLDER C ASSY
194	SH00000172	US HOLDER L1 ASSY
195	SH00000173	US HOLDER L2 ASSY
196	SH00000174	US HOLDER L3 ASSY
197	SH00000175	US HOLDER R1 ASSY
198	SH00000176	US HOLDER R2 ASSY
199	SH00000177	US HOLDER R3 ASSY
200	SH00000245	US CABLE C
201	SH00000179	US CABLE 1
202	SH00000179	US CABLE 1

Nr.	Part nr.	Name
203	SH00000180	US CABLE 2
204	SH00000180	US CABLE 2
205	SH00000181	US CABLE 3
206	SH00000181	US CABLE 3
207	SH00000182	US EARTH CABLE
208	SH00000183	WASHER(4.5/25/T1)
209	SH00000111	SCREW(M4X10)
211	SH00000184	SCREW(M3X6)
212	SH00000184	SCREW(M3X6)
213	SH00000184	SCREW(M3X6)
214	SH00000184	SCREW(M3X6)
215	SH00000184	SCREW(M3X6)
216	SH00000184	SCREW(M3X6)
217	SH00000184	SCREW(M3X6)
218	SH00000185	UPPER BODY
219	SH00000247	CASE COVER K
220	SH00000187	HANDLE
222	SH00000189	UI BUTTON
223	SH00000190	UI PWB ASSY
224	SH00000191	UI PWB HOLDER
225	SH00000192	LED LENS L
226	SH00000193	LED LENS SEAL
227	SH00000194	LED REFLECTOR
228	SH00000195	LED PWB ASSY
229	SH00000196	BUZZER PWB ASSY
231	SH00000198	FILTER BUTTON SP
233	SH00000200	INTAKE PACKING
234	SH00000201	NOZZLE PACKING
235	SH00000202	NOZZLE SEAL
236	SH00000248	UI KEY SHEET
237	SH00000204	LED LENS S
238	SH00000205	EXHAUST FILTER ASSY
239	SH00000206	CATCH LATCH
240	SH00000249	UI CABLE
241	SH00000208	LED CABLE
242	SH00000110	SCREW(M3X8XWASHER8)
243	SH00000110	SCREW(M3X8XWASHER8)
244	SH00000110	SCREW(M3X8XWASHER8)
245	SH00000184	SCREW(M3X6)
246	SH00000071	SCREW(M3X10)
247	SH00000071	SCREW(M3X10)
248	SH00000071	SCREW(M3X10)
249	SH00000111	SCREW(M4X10)
250	SH00000209	DUST BOX LOWER
251	SH00000210	DUST CASE
252	SH00000211	DUST SEAL RING

Nr.	Part nr.	Name
253	SH00000212	DUST BOX UPPER
254	SH00000213	
255	SH00000214	DUST BOX COVER
256	SH00000215	DUST SLIDE LEVER
257	SH00000216	DUST BOX PIN
258	SH00000252	CAUTION LABEL
259	SH00000253	ROBOPRO LABEL
260	SH00000244	FERRITE CORE
261	SH00000244	FERRITE CORE
300	SH00000219	RF CONTROLLER ASSY
301	SH00000231	
005-1	SH00000267	CABLE COVER R
006-1	SH00000268	CABLE COVER
027-1	SH00000278	IR SENSOR C ASSY
028-1	SH00000278	IR SENSOR C ASSY
029-1	SH00000279	IR SENSOR S ASSY
030-1	SH00000279	IR SENSOR S ASSY
031-1	SH00000280	BL SENSOR ASSY
040-1	SH00000277	BUMPER ANGLE R
086-1	643523-1	TERMINAL
087-1	643523-1	TERMINAL
137-1	SH00000228	E RING
210-1	SH00000184	SCREW(M3X6)
221-1	SH00000269	HANDLE COVER
230-1	SH00000270	FILTER BUTTON
232-1	SH00000271	FILTER BUTTON HOLDER