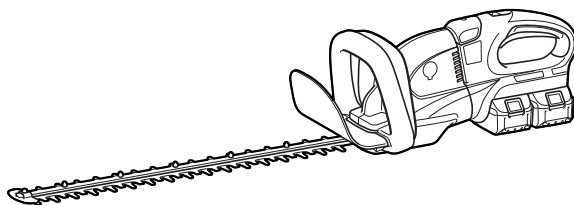




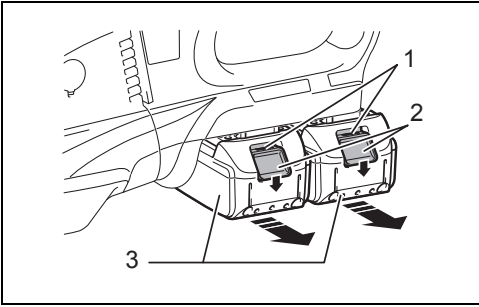
| | | |
|-----------|---|--------------------------------|
| GB | Cordless Hedge Trimmer | Instruction manual |
| F | Taille-haie sans fil | Manuel d'instructions |
| D | Akku-Heckenschere | Betriebsanleitung |
| I | Tagliasiepi a batteria | Istruzioni per l'uso |
| NL | Accuheggenschaar | Gebruiksaanwijzing |
| E | Cortasetos Inalámbrico | Manual de instrucciones |
| P | Aparador De Cerca Viva a Bateria | Manual de instruções |
| DK | Batteridrevet hækkeklipper | Brugsanvisning |
| GR | Ψαλίδι Μπορντούρας Μπαταρίας | Οδηγίες χρήσης |
| TR | Akülü Çit Budama | Kullanım kılavuzu |

DUH551
DUH651



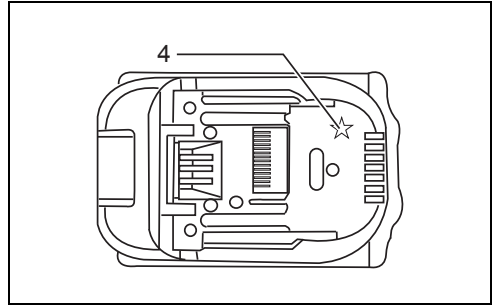
014621





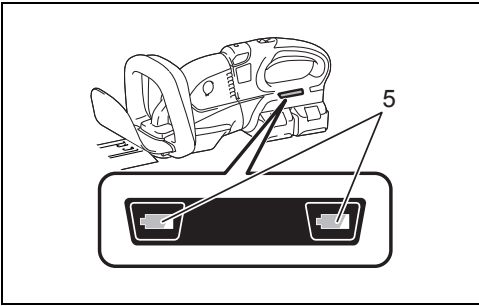
1

014633



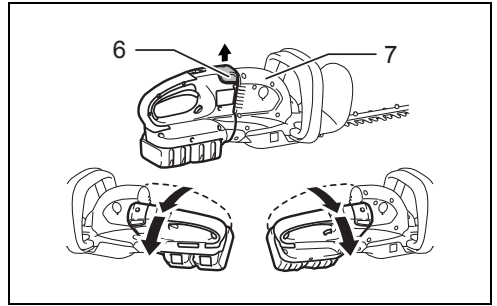
2

012128



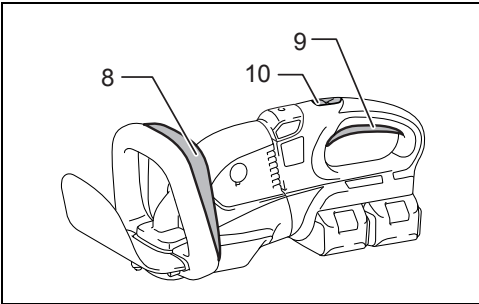
3

014634



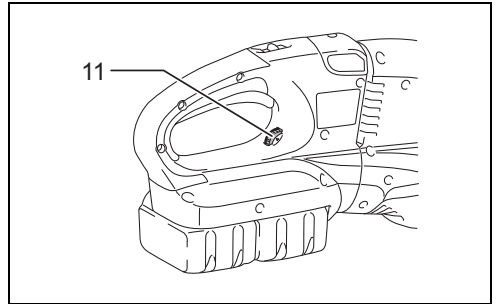
4

014624



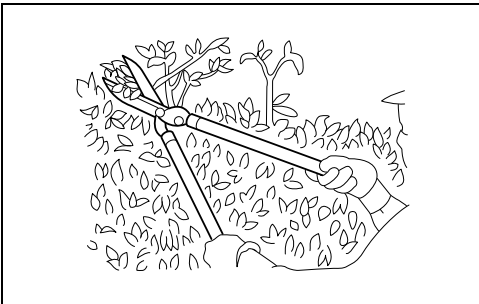
5

014622



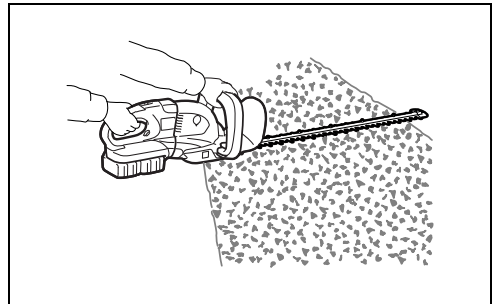
6

014623



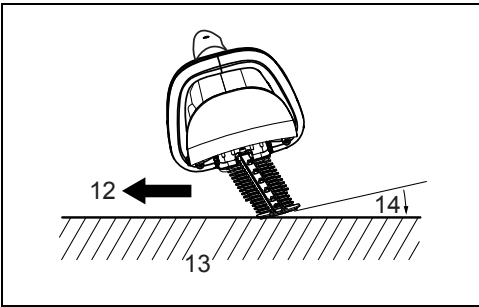
7

007559



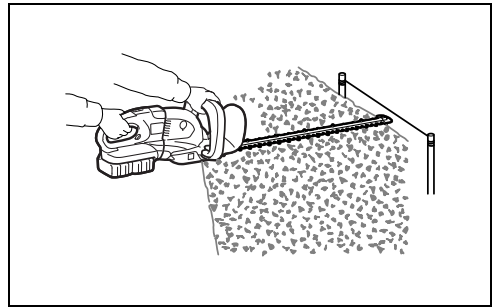
8

014626



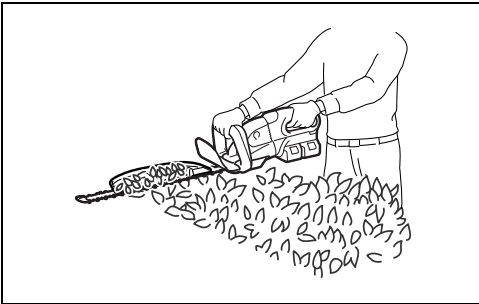
9

011262



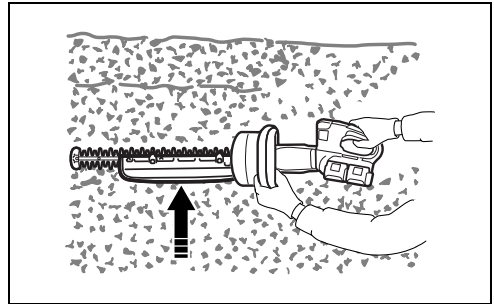
10

014627



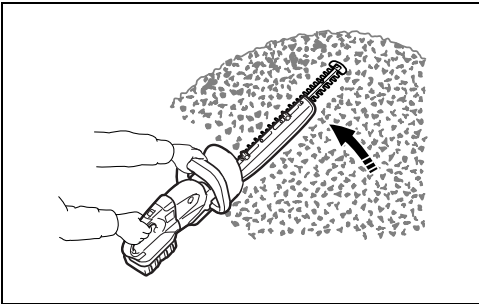
11

014628



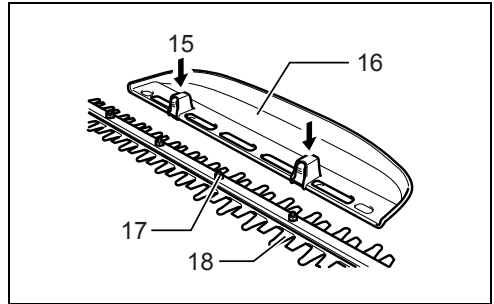
12

014625



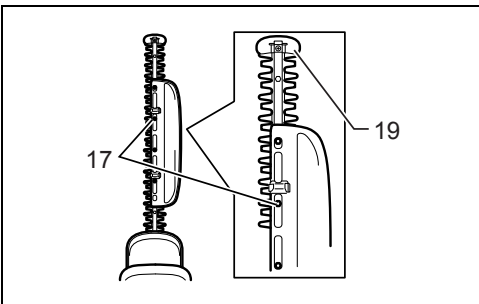
13

014629



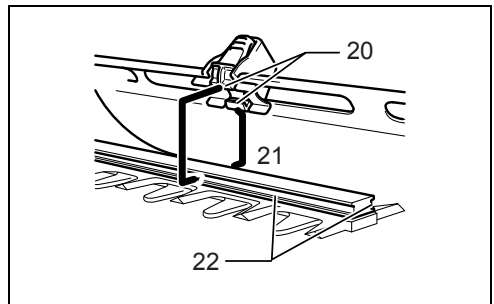
14

009290



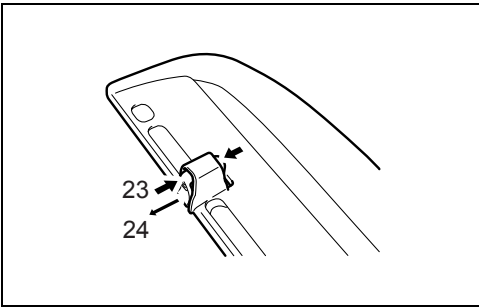
15

009291



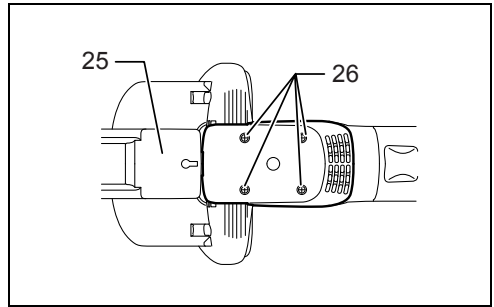
16

009292



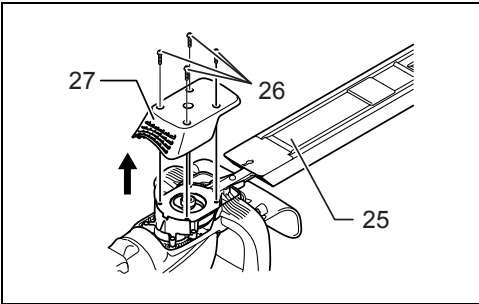
17

009293



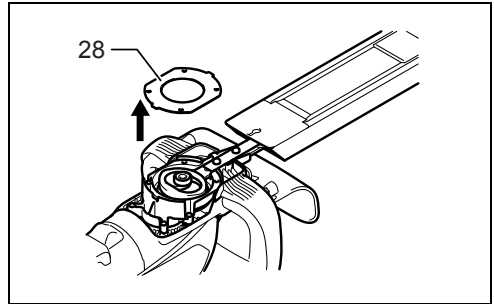
18

011157



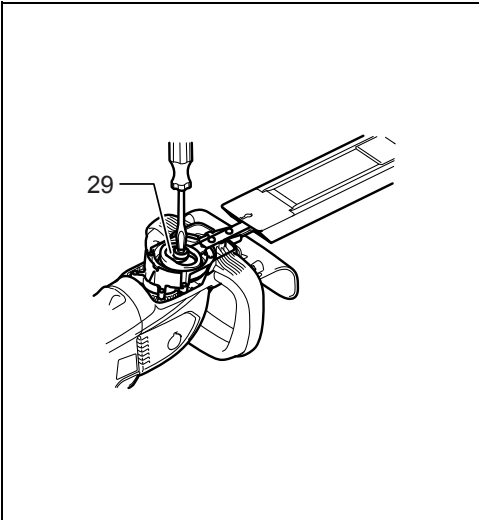
19

014772



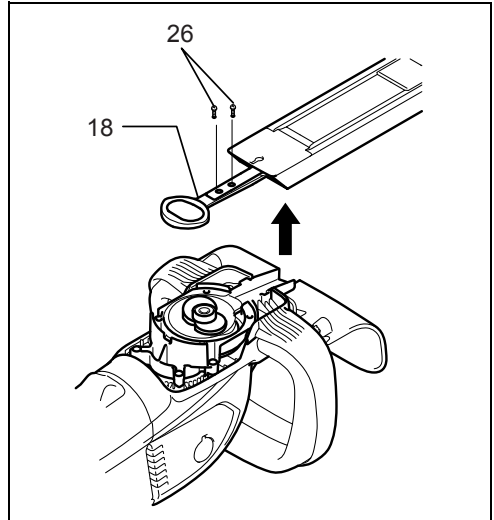
20

011159



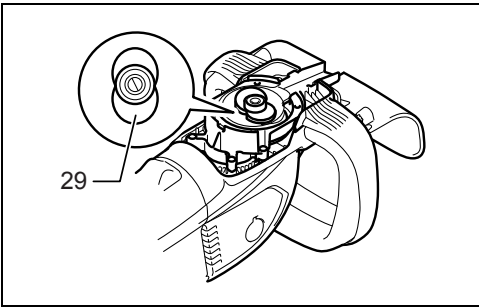
21

011256



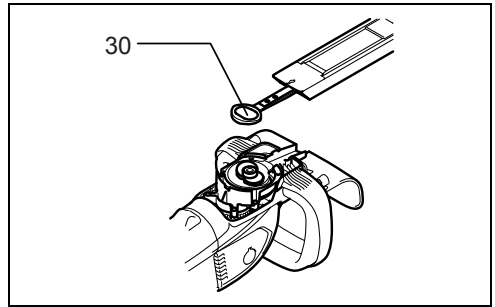
22

011257



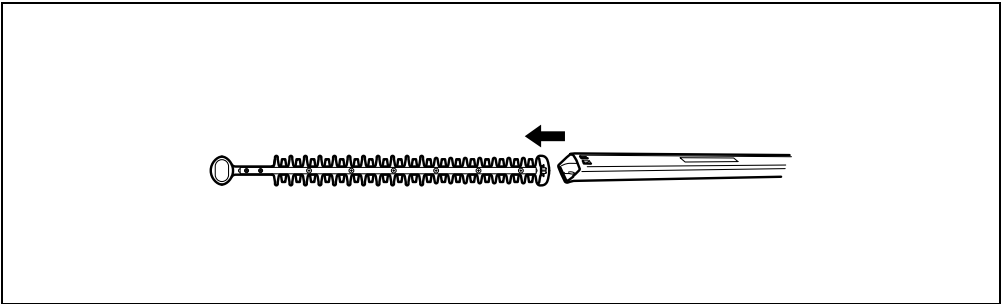
23

011258



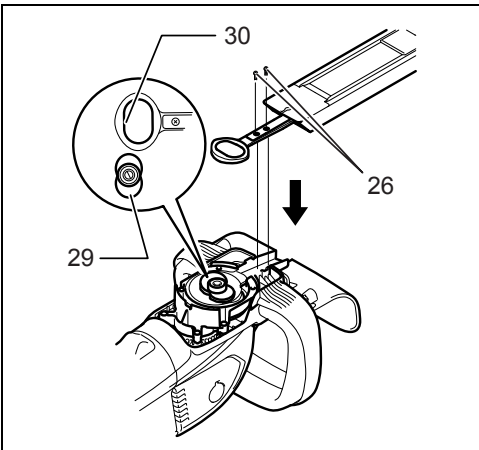
24

011259



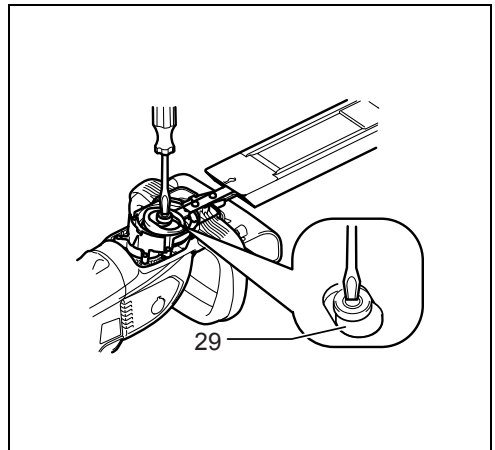
25

009302



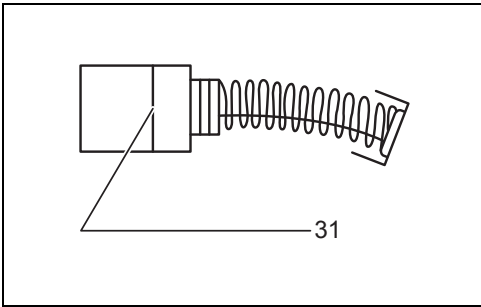
26

014773



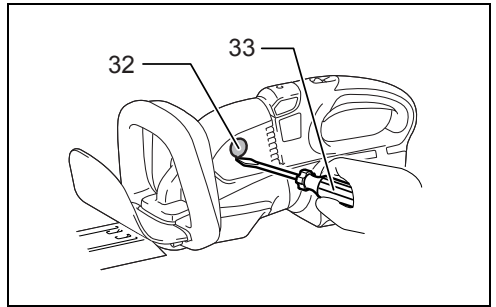
27

011261



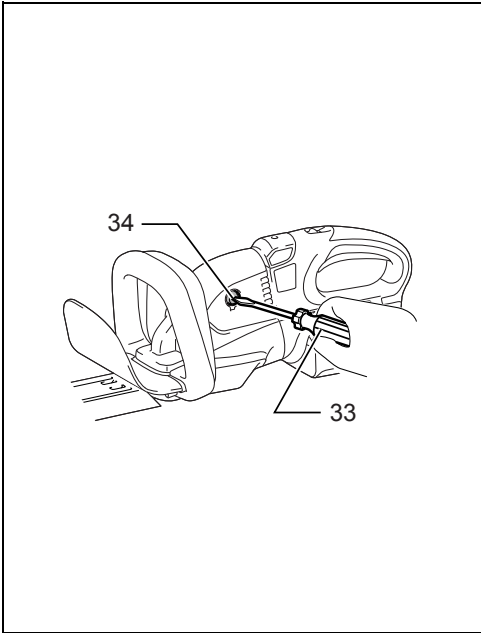
28

001145



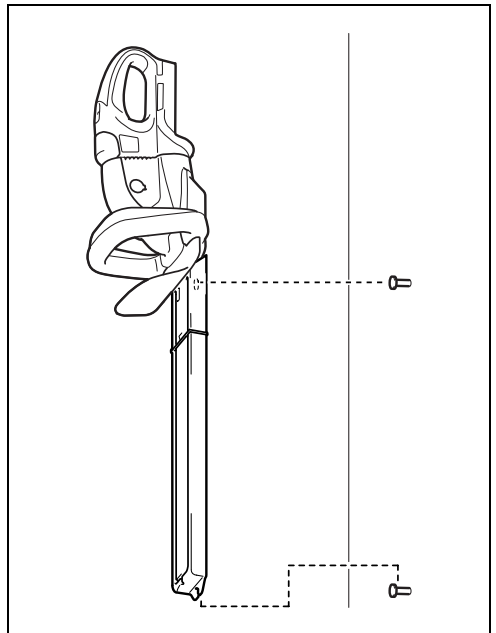
29

014630



30

014631



31

014632

ENGLISH (Original instructions)

Explanation of general view

- | | | |
|------------------------|------------------------------------|------------------------------|
| 1. Red indicator | 13. Hedge surface to be trimmed | 25. Blade cover |
| 2. Button | 14. Tilt the blades | 26. Screws |
| 3. Battery cartridge | 15. Press | 27. Under cover |
| 4. Star marking | 16. Chip receiver | 28. Plate |
| 5. Battery indicator | 17. Nut | 29. Crank |
| 6. Knob | 18. Shear blade | 30. Oval hole of shear blade |
| 7. Housing | 19. Branch catcher | 31. Limit mark |
| 8. Switch trigger B | 20. Hooks | 32. Holder cap cover |
| 9. Switch trigger A | 21. Fit the hooks into groove | 33. Slotted screwdriver |
| 10. Lock-off button | 22. Grooves | 34. Brush holder cap |
| 11. Adjusting dial | 23. Press the levers on both sides | |
| 12. Trimming direction | 24. Unlock the hooks | |

SPECIFICATIONS

| | | |
|---|---------------|----------|
| Model | DUH551 | DUH651 |
| Blade length | 550 mm | 650 mm |
| Strokes per minute (min ⁻¹) | 1,000 - 1,800 | |
| Overall length | 1,065 mm | 1,135 mm |
| Rated voltage | D.C.36V | |
| Net weight | 5.1 kg | 5.2 kg |

- Due to our continuing program of research and development, the specifications herein are subject to change without notice.
- Specifications and battery cartridge may differ from country to country.
- Weight, with battery cartridge, according to EPTA-Procedure 01/2003

| Noise | Sound pressure level | | Sound power level | | Applicable standard or directive | |
|-------|----------------------|--------------------------|------------------------|--------------------------|----------------------------------|------------------------|
| | Model | L _{PA} (dB (A)) | Uncertainty K (dB (A)) | L _{PA} (dB (A)) | | Uncertainty K (dB (A)) |
| | DUH551 | 81.5 | 2.1 | 91 | 1.5 | 2000/14/EC |
| | DUH651 | 82 | 1.4 | 91.1 | 1.5 | |

- Wear ear protection.

| Vibration | Model | Declared emission (m/s ²) | Uncertainty K (m/s ²) | Applicable standard or directive |
|-----------|-------|---------------------------------------|-----------------------------------|----------------------------------|
| | | | | |

ENG901-1

- The declared vibration emission value has been measured in accordance with the standard test method and may be used for comparing one tool with another.
- The declared vibration emission value may also be used in a preliminary assessment of exposure.

WARNING:

- The vibration emission during actual use of the power tool can differ from the declared emission value depending on the ways in which the tool is used.
- Be sure to identify safety measures to protect the operator that are based on an estimation of exposure in the actual conditions of use (taking account of all parts of the operating cycle such as the times when the tool is switched off and when it is running idle in addition to the trigger time).

END013-4

Symbol

The following show the symbols used for the equipment. Be sure that you understand their meaning before use.



..... Read instruction manual.



..... Do not expose to rain.



..... Only for EU countries

Do not dispose of electric equipment or battery pack together with household waste material!

In observance of the European Directives, on Waste Electric and Electronic Equipment and Batteries and Accumulators and Waste Batteries and Accumulators and their implementation in accordance with

national laws, electric equipment and batteries and battery pack(s) that have reached the end of their life must be collected separately and returned to an environmentally compatible recycling facility.

CORDLESS HEDGE TRIMMER SAFETY WARNINGS

GEB062-5

Intended use

The tool is intended for trimming hedges.

ENE014-1

For European countries only

EC Declaration of Conformity

We Makita Corporation as the responsible manufacturer declare that the following Makita machine(s):

ENH032-3

Designation of Machine:

Cordless Hedge Trimmer

Model No./Type: DUH551, DUH651

Specifications: see "SPECIFICATIONS" table.

are of series production and

Conforms to the following European Directives:

2000/14/EC, 2006/42/EC

And are manufactured in accordance with the following standards or standardised documents:

EN60745

The technical documentation is kept by:

Makita International Europe Ltd.

Technical Department,

Michigan Drive, Tongwell,

Milton Keynes, Bucks MK15 8JD, England

The conformity assessment procedure required by Directive 2000/14/EC was in Accordance with annex V.

Model DUH551

Measured Sound Power Level: 91.0 dB (A)

Guaranteed Sound Power Level: 93 dB (A)

Model DUH651

Measured Sound Power Level: 91.1 dB (A)

Guaranteed Sound Power Level: 93 dB (A)

8. 8. 2013



Tomoyasu Kato

Director

Makita Corporation

3-11-8, Sumiyoshi-cho,

Anjo, Aichi, 446-8502, JAPAN

General Power Tool Safety Warnings

GEA010-1

⚠ WARNING Read all safety warnings and all instructions. Failure to follow the warnings and instructions may result in electric shock, fire and/or serious injury.

Save all warnings and instructions for future reference.

1. **Keep all parts of the body away from the cutter blade. Do not remove cut material or hold material to be cut when blades are moving. Make sure the switch is off when clearing jammed material.** A moment of inattention while operating the hedge trimmer may result in serious personal injury.
2. **Carry the hedge trimmer by the handle with the cutter blade stopped. When transporting or storing the hedge trimmer always fit the cutting device cover.** Proper handling of the hedge trimmer will reduce possible personal injury from the cutter blades.
3. **Hold the power tool by insulated gripping surfaces only, because the cutter blade may contact hidden wiring.** Cutter blades contacting a "live" wire may make exposed metal parts of the power tool "live" and could give the operator an electric shock.
4. Do not use the hedge trimmer in the rain or in wet or very damp conditions. The electric motor is not waterproof.
5. First-time users should have an experienced hedge trimmer user show them how to use the trimmer.
6. The hedge trimmer must not be used by children or young persons under 18 years of age. Young persons over 16 years of age may be exempted from this restriction if they are undergoing training under the supervision of an expert.
7. Use the hedge trimmer only if you are in good physical condition. If you are tired, your attention will be reduced. Be especially careful at the end of a working day. Perform all work calmly and carefully. The user is responsible for all damages to third parties.
8. Never use the trimmer when under the influence of alcohol, drugs or medication.
9. Work gloves of stout leather are part of the basic equipment of the hedge trimmer and must always be worn when working with it. Also wear sturdy shoes with anti-skid soles.
10. Before starting work check to make sure that the trimmer is in good and safe working order. Ensure guards are fitted properly. The hedge trimmer must not be used unless fully assembled.
11. Make sure you have a secure footing before starting operation.
12. Hold the tool firmly when using the tool.
13. Do not operate the tool at no-load unnecessarily.
14. Immediately switch off the motor and remove the battery cartridge if the cutter should come into contact with a fence or other hard object. Check the cutter for damage, and if damaged repair immediately.
15. Before checking the cutter, taking care of faults, or removing material caught in the cutter, always switch off the trimmer and remove the battery cartridge.
16. Switch off the trimmer and remove the battery cartridge before doing any maintenance work.
17. When moving the hedge trimmer to another location, including during work, always remove the battery cartridge and put the blade cover on the cutter blades. Never carry or transport the trimmer with the cutter running. Never grasp the cutter with your hands.

18. Clean the hedge trimmer and especially the cutter after use, and before putting the trimmer into storage for extended periods. Lightly oil the cutter and put on the cover. The cover supplied with the unit can be hung on the wall, providing a safe and practical way to store the hedge trimmer.
19. Store the hedge trimmer with the cover on, in a dry room. Keep it out of reach of children. Never store the trimmer outdoors.

SAVE THESE INSTRUCTIONS.

WARNING:

DO NOT let comfort or familiarity with product (gained from repeated use) replace strict adherence to safety rules for the subject product. MISUSE or failure to follow the safety rules stated in this instruction manual may cause serious personal injury.

IMPORTANT SAFETY INSTRUCTIONS

ENC007-8

FOR BATTERY CARTRIDGE

1. **Before using battery cartridge, read all instructions and cautionary markings on (1) battery charger, (2) battery, and (3) product using battery.**
2. **Do not disassemble battery cartridge.**
3. **If operating time has become excessively shorter, stop operating immediately. It may result in a risk of overheating, possible burns and even an explosion.**
4. **If electrolyte gets into your eyes, rinse them out with clear water and seek medical attention right away. It may result in loss of your eyesight.**
5. **Do not short the battery cartridge:**
 - (1) **Do not touch the terminals with any conductive material.**
 - (2) **Avoid storing battery cartridge in a container with other metal objects such as nails, coins, etc.**
 - (3) **Do not expose battery cartridge to water or rain.**

A battery short can cause a large current flow, overheating, possible burns and even a breakdown.

6. **Do not store the tool and battery cartridge in locations where the temperature may reach or exceed 50°C (122°F).**
7. **Do not incinerate the battery cartridge even if it is severely damaged or is completely worn out. The battery cartridge can explode in a fire.**
8. **Be careful not to drop or strike battery.**
9. **Do not use a damaged battery.**
10. **Follow your local regulations relating to disposal of battery.**

SAVE THESE INSTRUCTIONS.

Tips for maintaining maximum battery life

1. **Charge the battery cartridge before completely discharged.**

- Always stop tool operation and charge the battery cartridge when you notice less tool power.**
2. **Never recharge a fully charged battery cartridge. Overcharging shortens the battery service life.**
3. **Charge the battery cartridge with room temperature at 10°C - 40°C (50°F - 104°F). Let a hot battery cartridge cool down before charging it.**
4. **Charge the battery cartridge once in every six months if you do not use it for a long period of time.**

FUNCTIONAL DESCRIPTION

CAUTION:

- Always be sure that the tool is switched off and the battery cartridge is removed before adjusting or checking function on the tool.

Installing or removing battery cartridge (Fig. 1)

CAUTION:

- Always switch off the tool before installing or removing of the battery cartridge.
- **Hold the tool and the battery cartridge firmly when installing or removing battery cartridge.** Failure to hold the tool and the battery cartridge firmly may cause them to slip off your hands and result in damage to the tool and battery cartridge and a personal injury.

To remove the battery cartridge, slide it from the tool while sliding the button on the front of the cartridge.

To install the battery cartridge, align the tongue on the battery cartridge with the groove in the housing and slip it into place. Insert it all the way until it locks in place with a little click. If you can see the red indicator on the upper side of the button, it is not locked completely.

CAUTION:

- Always install the battery cartridge fully until the red indicator cannot be seen. If not, it may accidentally fall out of the tool, causing injury to you or someone around you.
- Do not install the battery cartridge forcibly. If the cartridge does not slide in easily, it is not being inserted correctly.

NOTE:

- The tool does not work with only one battery cartridge.

Tool/battery protection system

The tool is equipped with a tool/battery protection system. This system automatically cuts off power to the motor to extend tool and battery life.

The tool will automatically stop during operation if the tool or battery are placed under one of the following conditions. In some conditions, the indicators light up.

Overload protection

When the tool is operated in a manner that causes it to draw an abnormally high current, the tool automatically stops without any indication. In this situation, turn the tool off and stop the application that caused the tool to become overloaded. Then turn the tool on to restart.

Overheat protection for tool/battery

When the tool/battery is overheated, the tool stops automatically without any indication. The tool does not start even if pulling the switch trigger. In this situation, let the tool/battery cool before turning the tool on again.

NOTE:

The battery overheat protection works only with a battery cartridge with a star marking. (Fig. 2)

Overdischarge protection (Fig. 3)

When the remaining battery capacity gets low, the battery indicator blinks on the applicable battery side. By further use, the tool stops and the battery indicator lights up about 10 seconds. In this situation, charge the battery cartridge.

Handle mounting positions

⚠ CAUTION:

- Always make sure that the handle is locked in the desired position before operation. (Fig. 4)

Depending on the operations, you can set the angle of the handle either 45° or 90° position on left or right. To turn the handle, pull the knob and turn the handle as shown in the figure. The handle is locked in 45° position. To turn the handle to 90° position, pull the knob again and turn the handle more.

Switch action

⚠ CAUTION:

- Before inserting the battery cartridge into the tool, always check to see that the switch trigger actuates properly and returns to the "OFF" position when released. (Fig. 5)

For your safety, this tool has a dual switching system. To turn on the tool, press the lock-off button and press the switch trigger A and B. To turn off the switch, release either one of the switch triggers. The tool only starts when pulling the both switch triggers.

Speed change (Fig. 6)

The strokes per minute can be adjusted just by turning the adjusting dial. This can be done even while the tool is running. The dial is marked 1 (lowest speed) to 6 (full speed).

Refer to the table below for the relationship between the number settings on the adjusting dial and the strokes per minute.

| Number on adjusting dial | Strokes per minute (min ⁻¹) |
|--------------------------|---|
| 6 | 1,800 |
| 5 | 1,750 |
| 4 | 1,650 |
| 3 | 1,500 |
| 2 | 1,300 |
| 1 | 1,000 |

011264

⚠ CAUTION:

- The speed adjusting dial can be turned only as far as 6 and back to 1. Do not force it past 6 or 1, or the speed adjusting function may no longer work.

- The strokes per minute vary by the conditions of battery cartridge and shear blades.

OPERATION

⚠ CAUTION:

- Be careful not to accidentally contact a metal fence or other hard objects while trimming. The blade will break and may cause serious injury.
- Overreaching with a hedge trimmer, particularly from a ladder, is extremely dangerous. Do not work from anything wobbly or infirm. (Fig. 7)

Do not attempt to cut branches thicker than 10 mm diameter with this trimmer. These should first be cut with shears down to the hedge trimming level.

⚠ CAUTION:

- Do not cut off dead trees or similar hard objects.

Failure to do so may damage the tool. (Fig. 8)

Hold the trimmer with both hands and pull the switch trigger A or B and then move it in front of your body. (Fig. 9)

As a basic operation, tilt the blades towards the trimming direction and move it calmly and slowly at the speed rate of 3 - 4 seconds per meter. (Fig. 10)

To cut a hedge top evenly, it helps to tie a string at the desired hedge height and to trim along it, using it as a reference line. (Fig. 11)

Attaching the chip receiver (optional accessory) on the tool when trimming the hedge straight can avoid cut off leaves' being thrown away. (Fig. 12)

Rotate the handle for your easy handling before operation. Refer to the section titled "Handle mounting positions".

To cut a hedge side evenly, it helps to cut from the bottom upwards. (Fig. 13)

Trim boxwood or rhododendron from the base toward the top for a nice appearance and good job.

Installing or removing chip receiver (optional accessory)

⚠ CAUTION:

- Always be sure that the tool is switched off and the battery cartridge is removed before installing or removing chip receiver.

NOTE:

- When replacing the chip receiver, always wear gloves so that hands and face does not directly contact the blade. Failure to do so may cause personal injury.
- Always be sure to remove the blade cover before installing the chip receiver.
- The chip receiver receives cut-off leaves and alleviates collecting thrown-away leaves. This can be installed on either side of the tool. (Fig. 14)

Press the chip receiver on the shear blades so that its slits overlap with the nuts on the shear blades. At this time, make sure that the chip receiver does not contact branch catcher at the top of the shear blades. (Fig. 15)

At this time, the chip receiver needs to be installed so that its hooks fit into grooves in the shear blade unit. (Fig. 16) To remove the chip receiver, press its lever on both sides so that the hooks are unlocked. (Fig. 17)

CAUTION:

- The blade cover cannot be installed on the tool with the chip receiver being installed. Before carrying or storing, uninstall the chip receiver and then install the blade cover to avoid blade exposure.

NOTE:

- Check the chip receiver for secure installment before use.
- Never try to uninstall the chip receiver by an excessive force with its hooks locked in the blade unit grooves. Using the excessive force may damage it.

MAINTENANCE

CAUTION:

- Always be sure that the tool is switched off and the battery cartridge is removed before attempting to perform inspection or maintenance.
- Never use gasoline, benzine, thinner, alcohol or the like. Discoloration, deformation or cracks may result.

Cleaning the tool

Clean out the tool by wiping off dust with a dry or soap-dipped rag.

Blade maintenance

Smear the blade before and once per hour during operation using machine oil or similars.

NOTE:

- Before smearing the blade, remove the chip receiver. After operation, remove dust from both sides of the blade with wired brush, wipe it off with a rag and then apply enough low-viscosity oil, such as machine oil etc. and spray-type lubricating oil.

CAUTION:

- Do not wash the blades in water. Failure to do so may cause rust or damage on the tool.

Removing or installing shear blade

CAUTION:

- Before removing or installing shear blade, always be sure that the tool is switched off and the battery cartridge is removed.
- When replacing the shear blade, always wear gloves without removing blade cover so that hands and face does not directly contact the blade. Failure to do so may cause personal injury.

NOTE:

- Do not wipe off grease from the gear and crank. Failure to do so may cause damage to the tool.
- For specific way of removing and installing shear blades refer to the reverse of a package for accessory shear blades.

Removing the shear blades

Reverse the tool and loosen four screws. (Fig. 18)

NOTE:

- Be careful not to get your hands dirty as grease is applied in the shear blade driving area.

Remove the under cover. (Fig. 19)

Remove the plate. (Fig. 20)

Set the crank at the angle as shown in the figure with a slotted screwdriver. (Fig. 21)

Remove two screws from the shear blades and the shear blade unit will be taken out. (Fig. 22)

CAUTION:

- Return the gear to the original position in such a manner as it was installed if it should be taken away by mistake.

Installing the shear blades

Prepare 4 removed screws (For under cover), 2 screws (For shear blade), plate, under cover, and new shear blades.

Adjust the crank position as shown in the figure. At this time, apply some grease provided with new shear blades to the periphery of the crank. (Fig. 23)

Overlap the oval hole in the upper blade with that in the lower one. (Fig. 24)

Take out the blade cover from the old shear blades and fit it onto the new ones for easy handling during the replacement of blades. (Fig. 25)

Place the new shear blades on the tool so that the oval holes in the shear blades fit onto the crank. Overlap the holes in the shear blades with the screw holes in the tool and then secure them with two screws. (Fig. 26)

Check the crank for smooth turn with a slotted screwdriver. (Fig. 27)

Install the plate, under cover on the tool. Tighten the screw firmly.

NOTE:

- There is no distinction between the top and bottom of the plate.

Remove the blade cover and then turn on the tool to check it for proper movement.

NOTE:

- When the shear blades does not operate properly, there is a poor fit between the blades and crank. Redo from the beginning.

Replacing carbon brushes (Fig. 28)

Remove and check the carbon brushes regularly. Replace when they wear down to the limit mark. Keep the carbon brushes clean and free to slip in the holders. Both carbon brushes should be replaced at the same time. Use only identical carbon brushes. (Fig. 29)

Insert the top end of slotted screwdriver into the notch in the tool and remove the holder cap cover by lifting it up. (Fig. 30)

Use a slotted screwdriver to remove the brush holder caps. Take out the worn carbon brushes, insert the new ones and secure the brush holder caps.

Reinstall the holder cap cover on the tool.

Storage

The hook hole in the bottom of the blade cover is convenient for hanging the tool from a nail or screw on the wall. (Fig. 31)

Remove the battery cartridge and put the blade cover on the shear blades so that the blades are not exposed.

Store the tool out of the reach of children carefully.

Store the tool in the place not exposed to water and rain.

To maintain product SAFETY and RELIABILITY, repairs, any other maintenance or adjustment should be performed by Makita Authorized Service Centers, always using Makita replacement parts.

OPTIONAL ACCESSORIES

CAUTION:

- These accessories or attachments are recommended for use with your Makita tool specified in this manual. The use of any other accessories or attachments might present a risk of injury to persons. Only use accessory or attachment for its stated purpose.

If you need any assistance for more details regarding these accessories, ask your local Makita Service Center.

- Blade cover
- Shear blade assembly
- Makita genuine battery and charger
- Chip receiver

NOTE:

- Some items in the list may be included in the tool package as standard accessories. They may differ from country to country.

FRANÇAIS (Instructions d'origine)

Descriptif

- | | | |
|----------------------------------|--|--|
| 1. Voyant rouge | 14. Inclinez les lames | 25. Couvercle de protection de la lame |
| 2. Bouton | 15. Appuyer | 26. Vis |
| 3. Batterie | 16. Récepteur de copeaux | 27. Couvercle secondaire |
| 4. Étoile | 17. Écrou | 28. Plateau |
| 5. Voyant de la batterie | 18. Lame de cisailles | 29. Bielle |
| 6. Bouton | 19. Récepteur de branches | 30. Trou ovale de la lame de cisailles |
| 7. Carter | 20. Crochets | 31. Repère d'usure |
| 8. Gâchette B | 21. Installez les crochets dans la rainure | 32. Cache du bouchon de porte-charbon |
| 9. Gâchette A | 22. Rainures | 33. Tournevis à tête fendue |
| 10. Bouton de sécurité | 23. Appuyez des deux côtés des leviers | 34. Bouchon de porte-charbon |
| 11. Cadran de réglage | | |
| 12. Sens de la taille | | |
| 13. Surface de la haie à tailler | 24. Déverrouillez les crochets | |

SPÉCIFICATIONS

| | | |
|--|---------------|----------|
| Modèle | DUH551 | DUH651 |
| Longueur de la lame | 550 mm | 650 mm |
| Passes par minute (min ⁻¹) | 1 000 - 1 800 | |
| Longueur totale | 1 065 mm | 1 135 mm |
| Tension nominale | 36 V CC | |
| Poids net | 5,1 kg | 5,2 kg |

- Étant donné l'évolution constante de notre programme de recherche et de développement, les spécifications contenues dans ce manuel sont sujettes à des modifications sans préavis.
- Les spécifications et la batterie peuvent varier d'un pays à l'autre.
- Poids, batterie incluse, selon la procédure EPTA 01/2003

| Modèle | Niveau de pression sonore | | Niveau de puissance sonore | | Norme ou directive applicable |
|--------|---------------------------|------------------------|----------------------------|------------------------|-------------------------------|
| | L _{PA} (dB (A)) | Incertitude K (dB (A)) | L _{PA} (dB (A)) | Incertitude K (dB (A)) | |
| DUH551 | 81,5 | 2,1 | 91 | 1,5 | 2000/14/CE |
| DUH651 | 82 | 1,4 | 91,1 | 1,5 | |

- Portez des protections auditives.

| Modèle | Émissions déclarées (m/s ²) | Incertitude K (m/s ²) | Norme ou directive applicable |
|---------------|---|-----------------------------------|-------------------------------|
| | | | |
| DUH551/DUH651 | ≤ 2,5 | 1,5 | EN60745 |

ENG901-1

- La valeur de l'émission des vibrations déclarée a été mesurée conformément à la méthode de test standard et peut être utilisée afin de comparer des outils entre eux.
- La valeur de l'émission des vibrations déclarée peut également être utilisée lors d'une évaluation préliminaire de l'exposition.

⚠ AVERTISSEMENT :

- Selon la manière dont l'outil est utilisé, il est possible que l'émission des vibrations pendant l'utilisation réelle de l'outil électrique diffère de la valeur de l'émission déclarée.
- Veillez à identifier les mesures de sécurité destinées à protéger l'opérateur et établies en fonction de l'estimation de l'exposition dans les conditions réelles d'utilisation (en prenant en compte toutes les étapes du cycle de fonctionnement, telles que les périodes de

mise hors tension de l'outil, les périodes de fonctionnement au ralenti et les périodes de mise en route).

Symboles

END013-4

Les symboles utilisés pour l'appareil sont indiqués ci-dessous. Assurez-vous d'avoir bien compris leur signification avant d'utiliser l'appareil.



..... Reportez-vous au manuel d'instructions.



..... Gardez à l'abri de la pluie.



^{Cd}
^{Ni-MH}
^{Li-ion} Pour les pays européens uniquement
Ne pas jeter les appareils électriques et les bloc-batteries dans les ordures ménagères !
Conformément aux directives

européennes relatives aux déchets d'équipements électriques ou électroniques (DEEE) ainsi qu'aux batteries, aux accumulateurs et aux batteries et accumulateurs usagés et à leur transposition dans la législation nationale, les appareils électriques, les batteries et les bloc-batteries doivent être collectés à part et être soumis à un recyclage respectueux de l'environnement.

grave si les consignes et les instructions ne sont pas toutes respectées.

Conservez toutes les consignes et instructions pour référence ultérieure.

CONSIGNES DE SÉCURITÉ CONCERNANT LE TAILLE-HAIE SANS FIL

GEB062-5

Utilisations

ENE014-1

Cet outil est conçu pour le taillage des haies.

Pour les pays d'Europe uniquement

ENH032-3

Déclaration de conformité CE

Nous, Makita Corporation, en tant que fabricant responsable, déclarons que la ou les machines Makita suivantes :

Nom de la machine :

Taille-haie sans fil

N° de modèle/Type : DUH551, DUH651

Spécifications : voir le tableau

« SPÉCIFICATIONS ».

sont fabriquées en série et

sont conformes aux directives européennes suivantes :

2000/14/CE, 2006/42/CE

et sont produites conformément aux normes ou documents de normalisation suivants :

EN60745

La documentation technique est disponible auprès de :

Makita International Europe Ltd.

Technical Department,

Michigan Drive, Tongwell,

Milton Keynes, Bucks MK15 8JD, Angleterre

La procédure d'évaluation de la conformité requise par la directive 2000/14/CE est conforme à l'annexe V.

Modèle DUH551

Niveau de puissance sonore mesurée : 91,0 dB (A)

Niveau de puissance sonore garantie : 93 dB (A)

Modèle DUH651

Niveau de puissance sonore mesurée : 91,1 dB (A)

Niveau de puissance sonore garantie : 93 dB (A)

8. 8. 2013



Tomoyasu Kato

Directeur

Makita Corporation

3-11-8, Sumiyoshi-cho,

Anjo, Aichi, 446-8502, JAPAN

Consignes de sécurité générales des outils électriques

GEA010-1

⚠ AVERTISSEMENT Veuillez lire toutes les consignes de sécurité et les instructions. Il y a un risque de choc électrique, d'incendie et/ou de blessure

- Maintenez toutes les parties du corps éloignées de la lame de coupe. Ne retirez pas et ne retenez pas le matériau à couper lorsque les lames sont en mouvement. Assurez-vous que l'outil est éteint lors du dégagement des matériaux enchevêtrés.** Tout moment d'inattention pendant l'utilisation du taille-haie comporte un risque de blessure corporelle grave.
- Portez le taille-haie par la poignée après avoir arrêté la lame de coupe. Lors du transport ou du stockage du taille-haie, fermez toujours le couvercle du dispositif de coupe.** Une utilisation correcte du taille-haie permettra de réduire les risques éventuels de blessures corporelles par la lame de coupe.
- Tenez l'outil par ses surfaces de prise isolées uniquement car la lame de coupe risque d'entrer en contact avec des fils cachés.** Il est possible que le contact avec un fil sous tension mette les parties métalliques exposées de l'outil sous tension, risquant ainsi de provoquer un choc électrique chez l'utilisateur.
- N'utilisez pas le taille-haie sous la pluie ou dans des conditions d'humidité importante. Le moteur électrique n'est pas étanche.
- Les personnes utilisant le taille-haie pour la première fois doivent demander à un utilisateur expérimenté de leur indiquer la procédure d'utilisation du taille-haie.
- Le taille-haie ne doit pas être utilisé par les enfants ni les jeunes âgés de moins de 18 ans. Cette restriction ne s'applique pas aux jeunes de 16 ans ou plus ayant reçu une formation sous la supervision d'un spécialiste.
- Utilisez le taille-haie uniquement si vous êtes en bonne condition physique. Si vous êtes fatigué(e), votre attention sera réduite. Soyez particulièrement prudent(e) à la fin d'une journée de travail. Effectuez tout le travail avec calme et prudence. L'utilisateur est responsable de tous les dommages causés aux tiers.
- N'utilisez jamais le taille-haie après avoir consommé de l'alcool, de la drogue ou des médicaments.
- Les gants de travail en cuir épais font partie de l'équipement de base du taille-haie et vous devez toujours les porter lorsque vous travaillez avec l'outil. Portez également des chaussures solides munies de semelles anti-dérapantes.
- Avant de commencer à travailler, assurez-vous que le taille-haie est en état de fonctionnement correct et sûr. Assurez-vous que les garde-corps sont correctement installés. Vous pouvez utiliser le taille-haie uniquement s'il est entièrement monté.

11. Assurez-vous d'avoir une bonne prise au sol avant de commencer à travailler.
 12. Maintenez l'outil fermement lors de son utilisation.
 13. Ne faites pas fonctionner inutilement l'outil à vide.
 14. Coupez immédiatement le moteur et retirez la batterie si la lame entre en contact avec une clôture ou un autre objet dur. Vérifiez que la lame n'est pas endommagée ; dans le cas contraire, réparez-la immédiatement.
 15. Avant de vérifier la lame, corriger les problèmes ou retirer les matériaux happés par la lame, éteignez toujours le taille-haie et retirez la batterie.
 16. Mettez le taille-haie hors tension et retirez la batterie avant d'effectuer toute tâche d'entretien.
 17. Lors du déplacement du taille-haie dans un autre lieu, notamment pendant son utilisation, retirez toujours la batterie et placez l'étui de protection sur la lame de coupe. Ne déplacez et ne transportez jamais le taille-haie alors que la lame est en mouvement. Ne saisissez jamais la lame dans les mains.
 18. Nettoyez le taille-haie et en particulier la lame après utilisation et avant de ranger le taille-haie pendant une période prolongée. Lubrifiez légèrement la lame et mettez l'étui de protection. Vous pouvez suspendre l'étui fourni avec l'appareil au mur, ce qui vous permet de ranger le taille-haie de manière sûre et pratique.
 19. Placez le taille-haie dans son étui avant de le ranger et mettez-le dans une pièce sèche. Conservez-le hors de portée des enfants. Ne rangez jamais le taille-haie à l'extérieur.
- (2) Évitez de ranger la batterie dans un contenant où se trouvent d'autres objets métalliques tels que des clous, pièces de monnaie, etc.
 - (3) N'exposez pas la batterie à l'eau ou à la pluie. Un court-circuit de la batterie risque de provoquer un fort courant, une surchauffe, parfois des brûlures et même une panne.
6. Ne rangez pas l'outil ou la batterie dans des endroits où la température risque d'atteindre ou de dépasser 50°C (122°F).
 7. Ne jetez pas la batterie au feu même si elle est sérieusement endommagée ou complètement épuisée. La batterie peut exploser au contact du feu.
 8. Veillez à ne pas laisser tomber ou heurter la batterie.
 9. N'utilisez pas de batterie endommagée.
 10. Respectez les réglementations locales relatives à la mise au rebut des batteries.

CONSERVEZ CES INSTRUCTIONS.

Conseils pour assurer la durée de vie optimale de la batterie

1. Rechargez la batterie avant qu'elle ne soit complètement épuisée. Arrêtez toujours l'outil et rechargez la batterie quand vous constatez que la puissance de l'outil diminue.
2. Ne rechargez jamais une batterie complètement chargée. La surcharge réduit la durée de service de la batterie.
3. Chargez la batterie alors que la température de la pièce se trouve entre 10°C et 40°C (50°F et 104°F). Si une batterie est chaude, laissez-la refroidir avant de la charger.
4. Si vous n'utilisez pas l'outil pendant une période prolongée, rechargez la batterie tous les six mois.

DESCRIPTION DU FONCTIONNEMENT

⚠ ATTENTION :

- Veillez toujours à ce que l'outil soit éteint et la batterie déposée avant d'effectuer des réglages ou de vérifier le fonctionnement de l'outil.

Installation et retrait de la batterie (Fig. 1)

⚠ ATTENTION :

- Éteignez toujours l'outil avant d'installer ou de déposer la batterie.
- Tenez fermement l'outil et la batterie lors de l'installation ou du retrait de la batterie. Si vous ne tenez pas fermement l'outil et la batterie, ils risquent de glisser et de s'abîmer ou de vous blesser.

Pour retirer la batterie, faites glisser le bouton à l'avant de la batterie et sortez la batterie.

Pour installer la batterie, alignez sa languette sur la rainure qui se trouve à l'intérieur du carter, puis glissez la

CONSERVEZ CES INSTRUCTIONS.

⚠ AVERTISSEMENT :

NE vous laissez PAS tromper (au fil d'une utilisation répétée) par un sentiment d'aisance et de familiarité avec le produit, en négligeant le respect rigoureux des consignes de sécurité qui accompagnent l'outil. Une UTILISATION INCORRECTE de l'outil ou le non-respect des consignes de sécurité indiquées dans ce manuel d'instructions peuvent causer des blessures graves.

CONSIGNES DE SÉCURITÉ IMPORTANTES

ENC007-8

POUR LA BATTERIE

1. Avant d'utiliser la batterie, veuillez lire toutes les instructions et tous les avertissements inscrits sur (1) le chargeur, (2) la batterie et (3) l'appareil alimenté par la batterie.
2. Ne démontez pas la batterie.
3. Cessez immédiatement d'utiliser l'outil si le temps de fonctionnement devient excessivement court. Il y a risque de surchauffe, de brûlures, voire d'explosion.
4. Si l'électrolyte pénètre dans vos yeux, rincez-les à l'eau claire et consultez immédiatement un médecin. Il y a risque de perte de la vue.
5. Évitez de court-circuiter la batterie :
 - (1) Ne touchez les bornes avec aucun matériau conducteur.

batterie pour la mettre en place. Insérez-la bien à fond, jusqu'à ce qu'elle se verrouille en émettant un léger clic. Si vous pouvez voir le voyant rouge sur la face supérieure du bouton, la batterie n'est pas parfaitement verrouillée.

⚠ ATTENTION :

- Installez toujours la batterie à fond, de sorte que le voyant rouge ne soit plus visible. Sinon, elle risque de tomber accidentellement de l'outil, en vous blessant ou en blessant une personne située près de vous.
- Ne forcez pas pour installer la batterie. Si la batterie ne glisse pas aisément, c'est qu'elle n'est pas insérée correctement.

REMARQUE :

- L'outil ne peut pas fonctionner avec une seule batterie.

Système de protection de l'outil/la batterie

L'outil est équipé d'un système de protection de l'outil/la batterie. Ce système coupe automatiquement l'alimentation en électricité vers le moteur afin de prolonger la durée de vie de l'outil et de la batterie. L'outil s'arrête automatiquement pendant le fonctionnement lorsque celui-ci ou la batterie se trouvent dans l'une des situations suivantes : Dans certains cas, les voyants s'allument.

Protection contre les surcharges

Si l'outil est utilisé de telle sorte qu'il entraîne une augmentation anormalement élevée de la demande de courant, il s'arrête automatiquement sans aucune précision. Dans ce cas, éteignez l'outil et arrêtez l'application ayant provoqué la surcharge de l'outil. Mettez ensuite l'outil sous tension pour le redémarrer.

Protection contre les surchauffes de l'outil/la batterie

Lorsque l'outil/la batterie est en surchauffe, il/elle s'arrête automatiquement sans aucune précision. L'outil ne démarre pas, même si vous appuyez sur la gâchette. Dans ce cas, laissez l'outil/la batterie refroidir avant de rallumer l'outil.

REMARQUE :

La protection contre les surchauffes de la batterie fonctionne uniquement avec une batterie comportant un symbole d'étoile. (Fig. 2)

Protection contre les pertes de charge excessives (Fig. 3)

Lorsque l'autonomie restante de la batterie est faible, le voyant de la batterie clignote sur le côté concerné de la batterie. Si vous continuez d'utiliser l'outil, il s'arrête et le voyant de la batterie s'allume pendant 10 secondes environ. Lorsque cela se produit, rechargez la batterie.

Positions de montage de la poignée

⚠ ATTENTION :

- Assurez-vous toujours que la poignée est verrouillée dans la position désirée avant d'utiliser l'outil. (Fig. 4) Selon les opérations effectuées, vous pouvez régler l'angle de la poignée à 45° ou 90° à gauche ou à droite.

Pour tourner la poignée, appuyez sur le bouton et tournez la poignée comme illustré sur la figure. La poignée est alors verrouillée à 45°. Pour tourner la poignée à 90°, appuyez à nouveau sur le bouton et tournez davantage la poignée.

Interrupteurs

⚠ ATTENTION :

- Avant d'insérer la batterie dans l'outil, vérifiez toujours que la gâchette fonctionne bien et revient en position d'arrêt lorsqu'elle est relâchée. (Fig. 5)

Pour votre sécurité, cet outil est équipé d'un double système d'allumage. Pour mettre l'outil sous tension, appuyez sur le bouton de sécurité et sur la gâchette A et B. Pour mettre l'outil hors tension, relâchez l'une des gâchettes. L'outil ne démarre que si les deux gâchettes sont enfoncées.

Changement de vitesse (Fig. 6)

Il est possible d'ajuster le nombre de passes par minute en tournant simplement le cadran de réglage. Ce réglage est possible même lorsque l'outil est en fonctionnement. Le cadran comporte les marquages 1 (vitesse la plus lente) à 6 (pleine vitesse).

Référez-vous au tableau ci-dessous pour connaître la relation entre les paramètres des numéros sur le cadran de réglage et le nombre de passes par minute.

| Numéro sur le cadran de réglage | Passes par minute (min ⁻¹) |
|---------------------------------|--|
| 6 | 1 800 |
| 5 | 1 750 |
| 4 | 1 650 |
| 3 | 1 500 |
| 2 | 1 300 |
| 1 | 1 000 |

011264

⚠ ATTENTION :

- Vous ne pouvez tourner le cadran de réglage de la vitesse que jusqu'aux positions 6 et 1. Ne le forcez pas au-delà des positions 6 ou 1, au risque de provoquer un dysfonctionnement du réglage de la vitesse.
- Le nombre de passes par minute varie selon l'état de la batterie et des lames de cisailles.

FONCTIONNEMENT

⚠ ATTENTION :

- Veillez à ne pas entrer en contact accidentellement avec une clôture métallique ou d'autres objets durs lors de la taille. La lame pourrait se briser et provoquer de graves blessures.
- Il est extrêmement dangereux de tendre le bras trop loin avec une taille-haie, en particulier depuis une échelle. Ne travaillez pas sur une surface bancale ou instable. (Fig. 7)

N'essayez pas de couper des branches dont l'épaisseur est supérieure à 10 mm de diamètre avec ce taille-haie. Vous devez d'abord les couper avec des cisailles jusqu'au niveau du taillage de haie.

ATTENTION :

- Ne coupez pas les arbres morts ou objets durs similaires. Vous risqueriez d'endommager l'outil.

(Fig. 8)

Tenez la taille-haie avec les deux mains, appuyez sur la gâchette A ou B, puis déplacez l'outil devant votre corps.

(Fig. 9)

Le fonctionnement de base consiste à incliner les lames dans le sens du taillage et à les déplacer calmement et lentement à une vitesse nominale de 3 à 4 secondes par mètre. **(Fig. 10)**

Pour couper le haut d'une haie de manière régulière, vous pouvez attacher une corde au niveau de la hauteur souhaitée de la haie et tailler le long de celle-ci, en l'utilisant comme une ligne de référence. **(Fig. 11)**

La fixation du récepteur de copeaux (accessoire en option) sur l'outil lors du taillage de la haie de manière droite peut éviter que les feuilles coupées soient éparpillées. **(Fig. 12)**

Avant d'utiliser l'outil, faites pivoter la poignée pour faciliter sa manipulation. Reportez-vous à la section intitulée « Positions de montage de la poignée ».

Pour couper le côté d'une haie de manière régulière, coupez-la de bas en haut. **(Fig. 13)**

Taillez le buis ou les rhododendrons de la base vers le haut afin d'obtenir une jolie haie et un travail bien fait.

Installation ou retrait du récepteur de copeaux (accessoire en option)

ATTENTION :

- Assurez-vous toujours que l'outil est hors tension et que la batterie est retirée avant d'installer ou de retirer le récepteur de copeaux.

REMARQUE :

- Lorsque vous remplacez le récepteur de copeaux, portez toujours des gants, de sorte que vos mains et votre visage ne soient pas en contact direct avec la lame. Le non-respect de cette instruction peut provoquer des blessures corporelles.
- Veillez toujours à retirer le couvercle de protection de la lame avant d'installer le récepteur de copeaux.
- Le récepteur de copeaux reçoit les feuilles coupées et facilite le recueil des feuilles éparpillées. Il s'installe d'un côté comme de l'autre de l'outil. **(Fig. 14)**

Appuyez sur le récepteur de copeaux situé sur les lames de cisailles de sorte que ses fentes chevauchent les écrous situés sur les lames de cisailles. À ce stade, assurez-vous que le récepteur de copeaux n'entre pas en contact avec le récepteur de branches dans la partie supérieure des lames de cisailles. **(Fig. 15)**

À ce stade, vous devez installer le récepteur de copeaux, de sorte que ses crochets s'insèrent dans les rainures de l'unité des lames de cisailles. **(Fig. 16)**

Pour déposer le récepteur de copeaux, appuyez de chaque côté de son levier de manière à déverrouiller les crochets. **(Fig. 17)**

ATTENTION :

- Le couvercle de protection de la lame ne peut pas être installé sur l'outil lorsque le récepteur de copeaux s'y trouve déjà. Avant de transporter ou de ranger l'outil, désinstallez le récepteur de copeaux, puis installez le

couvercle de protection de la lame afin d'éviter que celle-ci soit exposée.

REMARQUE :

- Vérifiez que le récepteur de copeaux est installé de manière sécurisée avant de l'utiliser.
- N'essayez jamais de désinstaller le récepteur de copeaux en forçant de manière démesurée lorsque ses crochets sont verrouillés dans les rainures de l'unité de la lame. L'application d'une force excessive risque de l'endommager.

ENTRETIEN

ATTENTION :

- Assurez-vous toujours que l'outil est hors tension et que la batterie est retirée avant d'y effectuer tout travail d'inspection ou d'entretien.
- N'utilisez jamais d'essence, de benzine, de diluant, d'alcool ou de produit similaire. Ces produits risquent de provoquer des décolorations, des déformations ou des fissures.

Nettoyage de l'outil

Pour nettoyer l'outil, essuyez la poussière à l'aide d'un chiffon sec ou imbibé d'eau savonneuse.

Maintenance de la lame

Lubrifiez la lame à l'aide d'huile pour machines ou de produits similaires avant d'utiliser l'outil et toutes les heures pendant son fonctionnement.

REMARQUE :

- Avant de lubrifier la lame, retirez le récepteur de copeaux.

Après avoir utilisé l'outil, retirez la poussière des deux côtés de la lame à l'aide d'une brosse métallique, essuyez-la avec un chiffon, puis appliquez suffisamment d'huile à basse viscosité, telle que de l'huile pour machines, etc., ainsi que de l'huile de graissage à pulvérisation.

ATTENTION :

- Ne lavez pas les lames dans l'eau. Vous risqueriez de provoquer l'apparition de rouille ou d'endommager l'outil.

Retrait ou installation de la lame de cisailles

ATTENTION :

- Avant de retirer ou d'installer la lame de cisailles, assurez-vous toujours que l'outil est hors tension et que la batterie est retirée.
- Lorsque vous remplacez la lame de cisailles, portez toujours des gants sans retirer le couvercle de protection de la lame, de sorte que vos mains et votre visage ne soient pas en contact direct avec la lame. Le non-respect de cette instruction peut provoquer des blessures corporelles.

REMARQUE :

- N'essuyez pas la graisse de l'engrenage et de la bielle. Vous risqueriez d'endommager l'outil.
- Pour connaître les procédures spécifiques de retrait et d'installation des lames de cisailles, reportez-vous au

dos de l'emballage des lames de cisailles fournies en accessoires.

Dépose des lames de cisailles

Mettez l'outil à l'envers et dévissez quatre vis. (Fig. 18)

REMARQUE :

- Veillez à ne pas vous salir les mains car la graisse se diffuse sur la zone de déplacement de la lame de cisailles.

Retirez le couvercle secondaire. (Fig. 19)

Retirez la plaque. (Fig. 20)

Régalez la bielle dans l'angle à l'aide d'un tournevis à tête fendue, comme illustré sur la figure. (Fig. 21)

Déposez deux vis des lames de cisailles afin d'extraire l'unité des lames de cisailles. (Fig. 22)

⚠ ATTENTION :

- Remettez l'engrenage en position d'origine, comme il était installé, afin qu'il ne soit pas retiré par erreur.

Installation des lames de cisailles

Préparez les 4 vis que vous avez retirées (pour le couvercle secondaire), les 2 vis (pour la lame de cisailles), la plaque, le couvercle secondaire et des lames de cisailles neuves.

Régalez la position de la bielle, comme illustré sur la figure.

À ce stade, appliquez de la graisse fournie avec les lames de cisailles neuves à la périphérie de la bielle. (Fig. 23)

Faites en sorte que l'orifice ovale de la lame supérieure chevauche celui de la lame inférieure. (Fig. 24)

Retirez le couvercle de protection des anciennes lames de cisailles et installez-le sur les lames neuves afin de faciliter la manipulation lors du remplacement des lames. (Fig. 25)

Placez les lames de cisailles neuves sur l'outil, de sorte que les orifices ovales situés sur les lames de cisailles s'adaptent sur la bielle. Faites en sorte que les orifices des lames de cisailles chevauchent ceux des vis dans l'outil, puis fixez-les à l'aide de deux vis. (Fig. 26)

Vérifiez que la bielle aisément à l'aide d'un tournevis à tête fendue. (Fig. 27)

Installez la plaque et le couvercle secondaire sur l'outil. Serrez fermement la vis.

REMARQUE :

- Il n'y a aucune différence entre la partie supérieure et la partie inférieure de la plaque.

Déposez le couvercle de protection de la lame, puis mettez l'outil sous tension pour vérifier que le mouvement est correct.

REMARQUE :

- Si les lames de cisailles ne fonctionnent pas correctement, le contact entre les lames et la bielle est mauvais. Recommencez l'opération depuis le début.

Remplacement des charbons (Fig. 28)

Retirez et vérifiez les charbons régulièrement.

Remplacez-les lorsqu'ils atteignent le repère d'usure.

Maintenez les charbons propres et en état de glisser aisément dans les porte-charbons. Les deux charbons doivent être remplacés en même temps. Utilisez uniquement des charbons identiques. (Fig. 29)

Insérez le bout d'un tournevis à tête fendue dans l'entaille de l'outil et retirez le cache du bouchon de porte-charbon en le soulevant. (Fig. 30)

Retirez les bouchons de porte-charbon à l'aide d'un tournevis à tête fendue. Enlevez les charbons usés, insérez-en de nouveaux et revissez solidement les bouchons de porte-charbon.

Remettez le cache de bouchon de porte-charbon en place sur l'outil.

Entreposage

L'orifice du crochet situé dans la partie inférieure du couvercle de protection de la lame est pratique pour suspendre l'outil à un clou ou une vis au mur. (Fig. 31)

Retirez la batterie et placez le protège-lame sur les lames de cisailles afin que celles-ci ne soient pas exposées. Veillez à ranger l'outil hors de portée des enfants.

Rangez l'outil à l'abri de la pluie et de l'eau.

Pour garantir la SÉCURITÉ et la FIABILITÉ du produit, les réparations ainsi que tout autre travail d'entretien ou de réglage doivent être effectués dans un centre d'entretien Makita agréé, exclusivement avec des pièces de rechange Makita.

ACCESSOIRES FOURNIS EN OPTION

⚠ ATTENTION :

- Ces accessoires ou pièces complémentaires sont recommandés pour être utilisés avec l'outil Makita spécifié dans ce mode d'emploi. L'utilisation de tout autre accessoire ou pièce complémentaire peut comporter un risque de blessure. N'utilisez les accessoires ou pièces qu'aux fins auxquelles ils ont été conçus.

Pour obtenir plus de détails sur ces accessoires, contactez votre Centre de service local Makita.

- Couvercle de protection de la lame
- Lame de cisailles
- Batterie et chargeur Makita d'origine
- Récepteur de copeaux

REMARQUE :

- Certains éléments de la liste peuvent être inclus en tant qu'accessoires standard dans le coffret de l'outil envoyé. Ils peuvent varier suivant les pays.

DEUTSCH (Originalanweisungen)

Erklärung der Gesamtdarstellung

- | | | |
|---------------------------|--|-----------------------------------|
| 1. Roter Bereich | 13. zu schneidende Heckenfläche | 24. Lösen der Haken |
| 2. Taste | 14. Neigen der Messer | 25. Schneidblattschutz |
| 3. Akkublock | 15. Drücken | 26. Schrauben |
| 4. Sternmarkierung | 16. Spanaufnehmer | 27. Untere Abdeckung |
| 5. Anzeige Akkuladestatus | 17. Mutter | 28. Platte |
| 6. Knauf | 18. Schneidblatt | 29. Kurbelwelle |
| 7. Gehäuse | 19. Astfänger | 30. Ovale Öffnung im Schneidblatt |
| 8. Ein/Aus-Schalter B | 20. Haken | 31. Verschleißgrenze |
| 9. Ein/Aus-Schalter A | 21. Einpassen der Haken in die Kerbe | 32. Halterkappenabdeckung |
| 10. Arretiertaste | 22. Rillen | 33. Schlitzschraubendreher |
| 11. Stellrad | 23. Drücken der Hebel an beiden Seiten | 34. Bürstenhalterkappe |

TECHNISCHE DATEN

| | | |
|--|---------------------|----------|
| Modell | DUH551 | DUH651 |
| Messerlänge | 550 mm | 650 mm |
| Stiche pro Minute (min ⁻¹) | 1.000 - 1.800 | |
| Gesamtlänge | 1.065 mm | 1.135 mm |
| Nennspannung | 36 V Gleichspannung | |
| Nettogewicht | 5,1 kg | 5,2 kg |

- Aufgrund unserer beständigen Forschungen und Weiterentwicklungen sind Änderungen an den hier angegebenen Technischen Daten ohne Vorankündigung vorbehalten.
- Die Technischen Daten und der Akkublock können in den einzelnen Ländern Abweichungen aufweisen.
- Gewicht, mit Akkublock, ermittelt gemäß EPTA-Verfahren 01/2003

| Schallpegel | Schalldruckpegel | | Schalleistungspegel | | Anwendbare Standards oder Richtlinien | |
|-------------|------------------|--------------------------|-----------------------|--------------------------|---------------------------------------|-----------------------|
| | Modell | L _{PA} (dB (A)) | Abweichung K (dB (A)) | L _{PA} (dB (A)) | | Abweichung K (dB (A)) |
| | DUH551 | 81,5 | 2,1 | 91 | 1,5 | 2000/14/EG |
| | DUH651 | 82 | 1,4 | 91,1 | 1,5 | |

- Tragen Sie Gehörschutz.

| Schwingung | Angegebene Emissionswerte (m/s ²) | | Abweichung K (m/s ²) | Anwendbare Standards oder Richtlinien |
|------------|---|-------|----------------------------------|---------------------------------------|
| | Modell | | | |
| | DUH551/DUH651 | ≤ 2,5 | 1,5 | EN60745 |

ENG901-1

- Der hier angegebene Wert für die erzeugten Schwingungen wurde gemäß dem genormten Testverfahren ermittelt und kann als Vergleich zu anderen Werkzeugen herangezogen werden.
- Der angegebene Wert für die erzeugten Schwingungen ist außerdem für eine vorbeugende Bewertung der Belastung zu verwenden.

WARNUNG:

- Die Schwingungsbelastung kann bei tatsächlichem Gebrauch des Elektrowerkzeugs in Abhängigkeit von der Handhabung des Elektrowerkzeugs von dem hier aufgeführten Wert abweichen.
- Stellen Sie sicher, dass Schutzmaßnahmen für den Bediener getroffen werden, die auf den unter den tatsächlichen Arbeitsbedingungen zu erwartenden Belastungen beruhen (beziehen Sie alle Bestandteile des Arbeitsablaufs ein, also zusätzlich zu den

Arbeitszeiten auch Zeiten, in denen das Werkzeug ausgeschaltet ist oder ohne Last läuft).

Symbol

END013-4

Im Folgenden sind die im Zusammenhang mit diesem Gerät verwendeten Symbole dargestellt. Machen Sie sich vor der Benutzung des Geräts unbedingt mit diesen Symbolen vertraut!



..... Lesen Sie die Bedienungsanleitung!



..... Setzen Sie das Werkzeug nicht dem Regen aus.



Nur für EU-Länder
Entsorgen Sie Elektrowerkzeuge, Batterien und Akkus nicht über den Hausmüll!
Gemäß der Europäischen Richtlinie

über Elektro- und Elektronik- Altgeräte und über Batterien und Akkumulatoren sowie Altbatterien und Altakkumulatoren und ihrer Umsetzung in nationales Recht müssen verbrauchte Elektrowerkzeuge sowie Altbatterien und Altakkumulatoren getrennt gesammelt und einer umweltgerechten Wiederverwertung zugeführt werden.

Gefahr eines Stromschlags, Brands und/oder das Risiko von ernsthaften Verletzungen.

Bewahren Sie alle Hinweise und Anweisungen zur späteren Referenz gut auf.

SICHERHEITSHINWEISE ZUR AKKU-HECKENSCHERE

GEB062-5

Verwendungszweck ENE014-1
Das Gerät wurde für das Schneiden von Hecken entwickelt.

Nur für europäische Länder ENH032-3
EG-Konformitätserklärung
Wir, Makita Corporation als verantwortlicher Hersteller, erklären, dass die folgende(n) Maschine(n) der Marke Makita:

Bezeichnung der Maschine(n):
Akku-Heckenschere
Nummer/Typ des Modells: DUH551, DUH651
Spezifikationen: siehe Tabelle „TECHNISCHE DATEN“.

in Serienfertigung hergestellt wird/werden und **den folgenden Richtlinien der Europäischen Union genügt/genügen:**

2000/14/EG, 2006/42/EG

Außerdem werden die Maschinen gemäß den folgenden Standards oder Normen gefertigt:
EN60745

Die technische Dokumentation erfolgt durch:
Makita International Europe Ltd.
Technical Department,
Michigan Drive, Tongwell,
Milton Keynes, Bucks MK15 8JD, England

Das Verfahren zur Konformitätsbewertung, vorgesehen in 2000/14/EG, erfolgte in Übereinstimmung mit Anhang V. Modell DUH551

Gemessener Schallleistungspegel: 91,0 dB (A)
Garantierter Schallleistungspegel: 93 dB (A)

Modell DUH651

Gemessener Schallleistungspegel: 91,1 dB (A)
Garantierter Schallleistungspegel: 93 dB (A)

8. 8. 2013



Tomoyasu Kato
Direktor

Makita Corporation
3-11-8, Sumiyoshi-cho,
Anjo, Aichi, 446-8502, JAPAN

Allgemeine Sicherheitshinweise für Elektrowerkzeuge

GEA010-1

⚠ WARNUNG Lesen Sie alle Sicherheitshinweise und Anweisungen sorgfältig durch. Wenn die Hinweise und Anweisungen nicht beachtet werden, besteht die

- Halten Sie mit allen Körperteilen Abstand zum Schneidmesser. Entfernen Sie kein geschnittenes Material oder halten Sie kein zu schneidendes Material, wenn sich die Messer bewegen. Überprüfen Sie, dass der Schalter aus ist, wenn Sie verklebtes Material entfernen.** Ein Moment der Unachtsamkeit kann beim Umgang mit der Heckenschere zu schweren Verletzungen führen.
- Tragen Sie die Heckenschere mit angehaltenem Schneidmesser am Griff. Transportieren und lagern Sie die Heckenschere immer mit aufgesetztem Schutz über dem Schneidmesser.** Durch einen sachgemäßen Umgang mit der Heckenschere können Sie mögliche Personenschäden durch die Schneidmesser vermindern.
- Halten Sie das Werkzeug ausschließlich an den isolierten Griffflächen, da die Schneidmesser verborgene Kabel berühren können.** Bei Kontakt des Schneidmessers mit einem stromführenden Kabel wird der Strom an die Metallteile des Elektrowerkzeugs und dadurch an den Bediener weitergeleitet, und der Bediener erleidet einen Stromschlag.
- Verwenden Sie die Heckenschere nicht, während es regnet oder bei nassen oder sehr feuchten Bedingungen. Der Elektromotor ist nicht wasserdicht.
- Unerfahrene Anwender sollten sich von erfahrenen Anwendern die Verwendung der Heckenschere zeigen lassen.
- Kinder und Jugendliche unter 18 Jahren dürfen die Heckenschere nicht bedienen. Jugendliche über 16 Jahren sind von diesem Verbot ausgenommen, wenn Sie zum Zwecke der Ausbildung unter Aufsicht eines Fachkundigen stehen.
- Betreiben Sie die Heckenschere nur, wenn Sie in guter physischer Verfassung sind. Falls Sie müde sind, lässt Ihre Aufmerksamkeit nach. Seien Sie am Ende eines Arbeitstages besonders aufmerksam. Führen Sie alle Arbeiten ruhig und mit Vorsicht aus. Der Anwender ist für alle Schäden an Dritten verantwortlich.
- Verwenden Sie die Heckenschere niemals unter Einfluss von Alkohol, Drogen oder Medikamenten.
- Arbeitshandschuhe aus festem Leder sind Teil der Grundausrüstung der Heckenschere und müssen stets bei Arbeiten mit der Heckenschere getragen werden. Tragen Sie außerdem feste Schuhe mit rutschfesten Sohlen.
- Überprüfen Sie vor Beginn der Arbeiten, dass die Heckenschere ordnungsgemäß und sicher arbeitet. Stellen Sie sicher, dass die Sicherheitsabdeckungen

ordnungsgemäß angebracht sind. Die Heckenschere darf nur vollständig montiert verwendet werden.

- Überprüfen Sie vor Beginn der Arbeiten, dass Sie einen sicheren Stand haben.
- Halten Sie das Werkzeug bei Verwendung sicher fest.
- Lassen Sie das Gerät nicht unnötig ohne Last laufen.
- Schalten Sie den Motor sofort aus und ziehen Sie den Akkublock ab, wenn die Schere mit einem Zaun oder einem anderen harten Gegenstand in Kontakt kam. Überprüfen Sie die Schere auf Beschädigungen, und reparieren Sie sie bei Bedarf.
- Schalten Sie die Heckenschere stets aus und ziehen Sie den Akkublock ab, bevor Sie die Schere überprüfen, Fehler beheben oder in der Schere verklemmtes Material entfernen.
- Schalten Sie die Heckenschere aus und ziehen Sie den Akkublock ab, bevor Sie Wartungsarbeiten am Werkzeug ausführen.
- Ziehen Sie stets den Akkublock und bringen Sie stets die Schneidblattabdeckung auf den Schneidblättern an, wenn Sie die Heckenschere an einen anderen Ort umsetzen, auch im Verlauf der Arbeiten. Tragen oder transportieren Sie die Heckenschere niemals mit laufendem Schneidmesser. Fassen Sie die Schneidmesser niemals mit den Händen an.
- Reinigen Sie die Heckenschere und besonders das Schneidblatt nach der Verwendung und vor der Lagerung der Heckenschere über einen längeren Zeitraum. Ölen Sie das Schneidblatt leicht und bringen Sie die Abdeckung an. Die mit dem Gerät gelieferte Abdeckung kann an die Wand gehängt werden und bietet so eine sichere und praktische Möglichkeit zur Lagerung der Heckenschere.
- Lagern Sie die Heckenschere mit angebrachter Abdeckung in einem trockenem Raum. Lagern Sie die Heckenschere außerhalb der Reichweite von Kindern. Lagern Sie die Heckenschere niemals im Freien.

BEWAHREN SIE DIESE ANLEITUNG SORGFÄLTIG AUF.

WARNUNG:

Lassen Sie sich **NIE** durch Bequemlichkeit oder (aus fortwährendem Gebrauch gewonnener) Vertrautheit mit dem Werkzeug dazu verleiten, die Sicherheitsregeln für das Werkzeug zu missachten. Bei **MISSBRÄUHLICHER** Verwendung des Werkzeugs oder bei Missachtung der in diesem Handbuch enthaltenen Sicherheitshinweise kann es zu schweren Verletzungen kommen.

WICHTIGE SICHERHEITSGELTEN

ENC007-8

FÜR AKKUBLOCK

- Lesen Sie vor der Verwendung des Akkublocks alle Anweisungen und Sicherheitshinweise für das Akkuladegerät (1), den Akku (2) und das Produkt (3), für das der Akku verwendet wird, sorgfältig durch.
- Der Akkublock darf nicht zerlegt werden.
- Falls die Betriebsdauer erheblich kürzer wird, beenden Sie den Betrieb umgehend. Andernfalls

besteht die Gefahr einer Überhitzung sowie das Risiko möglicher Verbrennungen und sogar einer Explosion.

- Wenn Elektrolyt in Ihre Augen gerät, waschen Sie diese mit klarem Wasser aus und suchen Sie sofort einen Arzt auf. Andernfalls können Sie Ihre Sehfähigkeit verlieren.
- Vermeiden Sie einen Kurzschluss des Akkublocks:
 - Die Kontakte dürfen nicht mit leitendem Material in Berührung kommen.
 - Der Akkublock darf nicht in einem Behälter aufbewahrt werden, in dem sich andere metallische Gegenstände wie beispielsweise Nägel, Münzen usw. befinden.
 - Der Akkublock darf weder Feuchtigkeit noch Regen ausgesetzt werden.Ein Kurzschluss des Akkus kann zu hohem Kriechstrom, Überhitzung, möglichen Verbrennungen und sogar zu einer Zerstörung des Werkzeugs führen.
- Werkzeug und Akkublock dürfen nicht an Orten aufbewahrt werden, an denen Temperaturen von 50°C oder darüber erreicht werden können.
- Beschädigte oder verbrauchte Akkus dürfen nicht verbrannt werden. Der Akkublock kann in den Flammen explodieren.
- Lassen Sie den Akku nicht fallen und vermeiden Sie Schläge gegen den Akku.
- Verwenden Sie niemals einen beschädigten Akku.
- Befolgen Sie die in Ihrem Land geltenden Bestimmungen bzgl. der Entsorgung von Akkus.

BEWAHREN SIE DIESE ANLEITUNG SORGFÄLTIG AUF.

Tipps für eine maximale Nutzungsdauer von Akkus

- Laden Sie den Akkublock auf, bevor der Akku vollständig entladen ist. Sobald Sie eine verringerte Leistung des Werkzeugs bemerken, beenden Sie stets den Betrieb des Werkzeugs und laden Sie den Akkublock auf.
- Ein voll aufgeladener Akkublock darf niemals erneut geladen werden. Durch Überladungen wird die Lebensdauer des Akkus verkürzt.
- Laden Sie den Akkublock bei einer Zimmertemperatur von 10°C bis 40°C auf. Lassen Sie einen heißen Akkublock vor dem Aufladen abkühlen.
- Laden Sie den Akkublock aller sechs Monate auf, wenn Sie diesen für längere Zeit nicht verwenden.

FUNKTIONSBESCHREIBUNG

ACHTUNG:

- Schalten Sie das Werkzeug stets aus und nehmen Sie den Akkublock vom Werkzeug ab, bevor Sie Einstellungen oder Funktionsprüfungen am Werkzeug vornehmen.

Einsetzen und Abnehmen des Akkublocks (Abb. 1)

ACHTUNG:

- Schalten Sie das Werkzeug stets aus, bevor Sie den Akkublock einsetzen oder abnehmen.
- **Halten Sie das Werkzeug und den Akkublock sicher fest, wenn Sie den Akkublock einsetzen oder herausnehmen.** Andernfalls könnte Ihnen das Werkzeug oder der Akkublock aus den Händen fallen, sodass das Werkzeug oder der Akkublock beschädigt werden oder diese Verletzungen verursachen.

Zum Abnehmen des Akkublocks müssen Sie die Taste auf der Vorderseite des Akkublocks schieben und gleichzeitig den Akkublock aus dem Gerät herausziehen. Zum Einsetzen des Akkublocks müssen Sie die Zunge des Akkublocks an der Rille im Gehäuse ausrichten und in die gewünschte Position schieben. Setzen Sie den Akkublock ganz ein, bis er mit einem leisen Klick einrastet. Wenn Sie den roten Bereich oben auf der Taste sehen können, ist der Akkublock nicht ganz eingerastet.

ACHTUNG:

- Setzen Sie den Akkublock unbedingt ganz ein, bis der rote Bereich nicht mehr zu sehen ist. Andernfalls kann der Akkublock versehentlich aus dem Werkzeug fallen und Sie oder umstehende Personen verletzen.
- Wenden Sie beim Einsetzen des Akkublocks keine Gewalt an. Wenn der Akkublock nicht leicht hineingleitet, ist er nicht richtig angesetzt.

HINWEIS:

- Das Werkzeug funktioniert nicht mit nur einem Akkublock.

Werkzeug-/Akku-Schutzsystem

Das Werkzeug ist mit einem Werkzeug-/Akku-Schutzsystem ausgestattet. Dieses System schaltet die Stromversorgung des Motors automatisch aus, um die Lebensdauer des Werkzeugs und des Akkus zu verlängern.

Unter folgenden Bedingungen des Werkzeugs und/oder des Akkus kann das Werkzeug während des Betriebs automatisch stoppen. Unter einigen dieser Bedingungen leuchtet die Anzeige auf.

Überlastungsschutz

Wird das Werkzeug auf eine Weise betrieben, die zu einer abnormal hohen Stromaufnahme führt, stoppt das Werkzeug automatisch ohne jede Anzeige. Schalten Sie in dieser Situation das Werkzeug aus und beenden Sie die Arbeiten, die zu der Überlastung des Werkzeugs geführt haben. Schalten Sie dann das Werkzeug zum erneuten Starten wieder ein.

Überhitzungsschutz für das Werkzeug / den Akku

Ist der Akku oder das Werkzeug überhitzt, stoppt das Werkzeug automatisch ohne jede Anzeige. Das Werkzeug startet nicht, selbst wenn der Ein/Aus-Schalter betätigt wird. Lassen Sie in dieser Situation das Werkzeug / den Akku erst abkühlen, bevor Sie das Werkzeug wieder einschalten.

HINWEIS:

Der Akku-Überhitzungsschutz funktioniert nur bei einem Akkublock mit Sternmarkierung. (Abb. 2)

Tiefentladungsschutz (Abb. 3)

Bei geringem Akkuladestand blinkt die Akkuanzeige auf der entsprechenden Akku-Seite. Bei Weiterverwendung stoppt das Werkzeug und die Akkuanzeige leuchtet ca. 10 Sekunden lang auf. Laden Sie in diesem Fall den Akkublock wieder auf.

Montagepositionen des Griffs

ACHTUNG:

- Überprüfen Sie vor der Verwendung des Werkzeugs stets, dass der Griff in der gewünschten Position arretiert ist. (Abb. 4)

Je nach durchzuführenden Arbeiten können Sie den Griffwinkel entweder auf 45° oder 90° links oder rechts einstellen. Um den Griff zu drehen, ziehen Sie den Knauf und drehen Sie den Griff dann wie in der Abbildung dargestellt. Der Griff wird in der 45°-Position arretiert. Um den Griff in die 90°-Position zu drehen, ziehen Sie den Knauf erneut und drehen Sie den Hebel weiter.

Einschalten

ACHTUNG:

- Achten Sie vor dem Einsetzen des Akkublocks in das Werkzeug darauf, dass sich der Ein/Aus-Schalter korrekt bedienen lässt und beim Loslassen in die Position „OFF“ (AUS) zurückkehrt. (Abb. 5)

Zu Ihrer Sicherheit verfügt das Werkzeug über ein Zweifach-Schaltersystem. Drücken Sie zum Einschalten des Werkzeugs die Arretiertaste und drücken Sie die Ein/Aus-Schalter A und B. Lassen Sie zum Ausschalten einen der beiden Ein/Aus-Schalter los. Das Werkzeug startet nur dann, wenn beide Ein/Aus-Schalter gezogen werden.

Ändern der Drehzahl (Abb. 6)

Die Stiche pro Minute können Sie einfach durch Drehen am Stellrad ändern. Dies ist auch bei laufendem Werkzeug möglich. Das Stellrad ist mit 1 (niedrigste Schlagzahl) bis 6 (höchste Schlagzahl) beschriftet. In der folgenden Tabelle sind die Zahlenmarken am Stellrad und die zugehörigen Stiche pro Minute angegeben:

| Zahl am Stellrad | Stiche pro Minute (min ⁻¹) |
|------------------|--|
| 6 | 1.800 |
| 5 | 1.750 |
| 4 | 1.650 |
| 3 | 1.500 |
| 2 | 1.300 |
| 1 | 1.000 |

011264

ACHTUNG:

- Das Drehzahl-Stellrad kann nur bis zur 6 und wieder zurück zur 1 gedreht werden. Drehen Sie es nicht mit Gewalt über die Position 6 oder 1 hinaus, da sonst die Drehzahleinstellung womöglich nicht mehr richtig funktioniert.

- Die Stiche pro Minute variieren je nach Zustand des Akkublock und dem Zustand der Schneidblätter.

BETRIEB

⚠️ ACHTUNG:

- Achten Sie darauf, dass Sie während des Schneidens nicht versehentlich mit einem metallischen Anschlag oder anderen harten Gegenständen in Berührung kommen. Das Schneidmesser kann brechen und schwere Verletzungen verursachen.
- Das weite Hinauslehnen mit einer Heckenschere, vor allem von einer Leiter aus, ist äußerst gefährlich. Arbeiten Sie niemals von einem wackligen oder unsicheren Standort aus. **(Abb. 7)**

Versuchen Sie nicht, mit dieser Heckenschere Äste mit einer Dicke von mehr als 10 mm Durchmesser zu schneiden. Solche Äste sollten zuerst mit einer Schere auf das Niveau des Heckenschneiders geschnitten werden.

⚠️ ACHTUNG:

- Schneiden Sie keine toten Äste oder ähnliche harte Gegenstände ab. Andernfalls kann das Werkzeug beschädigt werden. **(Abb. 8)**

Halten Sie die Heckenschere mit beiden Händen und betätigen Sie den Ein/Aus-Schalter A oder B. Bewegen Sie anschließend die Heckenschere vor Ihrem Körper. **(Abb. 9)**

Neigen Sie im Grundbetrieb die Schneidblätter in Schneidrichtung und bewegen Sie die Heckenschere ruhig und langsam mit einer Geschwindigkeit von 3 bis 4 Sekunden pro Meter. **(Abb. 10)**

Zum geraden Schneiden einer Heckenoberkante können Sie eine Schnur in der gewünschten Heckenhöhe spannen und diese beim Schneiden als Referenzlinie verwenden. **(Abb. 11)**

Befestigen Sie beim Schneiden der Heckengerade die Spanaufnahme (Sonderzubehör) am Werkzeug, um ein Umherfliegen der Blätter zu vermeiden. **(Abb. 12)**

Drehen Sie den Griff für eine einfache Handhabung.

Siehe Abschnitt „Montagepositionen des Griffs“.

Zum gleichmäßigen Schneiden der Heckenseite schneiden Sie diese von unten nach oben. **(Abb. 13)**

Schneiden Sie Buchsbaum oder Rhododendron für ein hübsches Aussehen und einen guten Schnitt von der Basis zur Spitze.

Montage und Demontage der Spanaufnahme (Sonderzubehör)

⚠️ ACHTUNG:

- Schalten Sie das Werkzeug aus und ziehen Sie den Akkublock ab, bevor Sie den Spanaufnehmer an- oder abbauen.

HINWEIS:

- Tragen Sie beim Austauschen der Spanaufnahme immer Arbeitshandschuhe, sodass Sie das Schneidmesser nicht direkt mit den Händen berühren. Andernfalls kann es zu Verletzungen kommen.
- Achten Sie vor dem Einsetzen der Spanaufnahme darauf, dass Sie den Schneidblattschutz entfernt haben.

- Die Spanaufnahme fängt die abgeschnittenen Blätter auf und erleichtert das Aufsammeln der abgefallenen Blätter. Der Haken kann an beiden Seiten des Werkzeugs befestigt werden. **(Abb. 14)**

Drücken Sie die Spanaufnahme auf die Schneidblätter, sodass die Schlitze die Muttern auf den Schneidblättern überdecken. Überprüfen Sie in diesem Moment, dass die Spanaufnahme den Astfänger am oberen Ende der Schneidblätter nicht berührt. **(Abb. 15)**

Zu diesem Zeitpunkt müssen Sie die Spanaufnahme anbringen, damit die Haken in die Kerben im Schneidmesser passen. **(Abb. 16)**

Zum Entfernen der Spanaufnahme drücken Sie den Hebel an beiden Seiten, sodass die Haken gelöst werden. **(Abb. 17)**

⚠️ ACHTUNG:

- Der Schneidblattschutz kann bei angebrachter Spanaufnahme nicht montiert werden. Entfernen Sie vor dem Transport oder der Lagerung die Spanaufnahme und bringen Sie den Schneidblattschutz an, um ein Freiliegen der Messer zu vermeiden.

HINWEIS:

- Prüfen Sie vor der Verwendung die sichere Installation der Spanaufnahme.
- Wenden Sie beim Entfernen der Spanaufnahme keine übermäßigen Kräfte an, wenn die Haken in den Blattkerben eingerastet sind. Die Anwendung übermäßiger Kräfte kann zu Beschädigungen führen.

WARTUNG

⚠️ ACHTUNG:

- Schalten Sie das Gerät stets aus und ziehen Sie den Akkublock ab, bevor Sie Inspektionen oder Wartungsarbeiten am Gerät vornehmen.
- Verwenden Sie zum Reinigen niemals Kraftstoffe, Benzin, Verdünner, Alkohol oder Ähnliches. Dies kann zu Verfärbungen, Verformungen oder Rissen führen.

Reinigen des Werkzeugs

Reinigen Sie das Werkzeug, indem Sie den Staub mit einem trockenen oder in Seifenlösung getunkten Lappen abwischen.

Wartung des Schneidmessers

Schmieren Sie das Messer vor dem Betrieb und nach jeder Betriebsstunde mit Maschinenöl oder ähnlichem.

HINWEIS:

- Nehmen Sie vor dem Schmieren der Schneidmesser die Spanaufnahme ab.
- Entfernen Sie nach dem Betrieb mit Hilfe einer Drahtbürste den Staub von beiden Seiten der Schneidmesser, wischen Sie die Messer mit einem Lappen ab und tragen Sie anschließend dünnflüssiges Öl, z.B. Maschinenöl usw., oder Sprühschmieröl auf.

⚠️ ACHTUNG:

- Waschen Sie die Schneidmesser nicht mit Wasser ab. Andernfalls können die Schneidmesser rosten und das Werkzeug kann beschädigt werden.

Anbauen und Abbauen des Schneidblatts

ACHTUNG:

- Schalten Sie das Werkzeug aus und ziehen Sie den Akkublock ab, bevor Sie das Schneidblatt an- oder abbauen.
- Tragen Sie beim Austauschen des Schneidblatts immer Arbeitshandschuhe und entfernen Sie den Schneidblattschutz nicht, sodass Sie die Schneidmesser nicht direkt mit den Händen berühren. Anderenfalls kann es zu Verletzungen kommen.

HINWEIS:

- Wischen Sie das Schmierfett nicht von Zahnrad und Kurbelwelle ab. Anderenfalls kann das Werkzeug beschädigt werden.
- Konkrete Anleitungen zum An- und Abbauen der Schneidblätter finden Sie auf der Rückseite der Verpackung der Schneidblätter.

Ausbauen der Schneidblätter

Drehen Sie das Werkzeug um und lösen Sie die vier Schrauben. (Abb. 18)

HINWEIS:

- Im Schneidblattantrieb wurde Schmierfett aufgetragen. Achten Sie darauf, dass Sie sich Ihre Hände nicht beschmutzen.

Entfernen Sie die untere Abdeckung. (Abb. 19)

Nehmen Sie die Platte ab. (Abb. 20)

Stellen Sie die Kurbelwelle mit einem Schlitzschraubendreher auf den in der Abbildung dargestellten Winkel ein. (Abb. 21)

Entfernen Sie die zwei Schrauben von den Schneidblättern und Sie können das Schneidblatt herausnehmen. (Abb. 22)

ACHTUNG:

- Setzen Sie das Getriebe wieder in der Ursprungsposition ein, falls Sie es versehentlich herausgenommen haben.

Anbauen der Schneidblätter

Bereiten Sie die 4 entfernten Schrauben (für die untere Abdeckung), die 2 Schrauben (für das Schneidblatt), die Platte, die untere Abdeckung und die neuen Schneidblätter vor.

Passen Sie die Kurbelwellenposition wie in der Abbildung dargestellt an. Tragen Sie jetzt etwas Schmiermittel mit den neuen Schneidblättern am Rand der Kurbelwelle auf. (Abb. 23)

Bringen Sie die ovale Öffnung im oberen Messer mit dem im unteren Messer in Übereinstimmung. (Abb. 24)

Nehmen Sie den Schneidblattschutz von den alten Schneidblättern ab und stecken Sie diese auf die neuen Messer auf, um eine einfachere Handhabung während des Austauschs der Messer zu ermöglichen. (Abb. 25)

Platzieren Sie die neuen Schneidblätter so auf dem Werkzeug, dass die ovalen Öffnungen in den Schneidblättern auf die Kurbelwelle passen. Bringen Sie die Öffnungen in den Schneidblättern mit den Schraubenöffnungen im Werkzeug in Übereinstimmung und sichern Sie diese mit zwei Schrauben. (Abb. 26)

Prüfen Sie die Kurbelwelle mit einem Schlitzschraubendreher auf eine weiche Drehung. (Abb. 27)

Bringen Sie die Platte und untere Abdeckung wieder an. Ziehen Sie die Schrauben fest an.

HINWEIS:

- Ober- und Unterseite der Platte unterscheiden sich nicht.

Nehmen Sie den Schneidblattschutz ab und schalten Sie das Werkzeug an, um die ordnungsgemäße Bewegung zu überprüfen.

HINWEIS:

- Wenn sich die Schneidblätter nicht ordnungsgemäß bewegen, sind Messer und Kurbelwelle nicht ordnungsgemäß eingepasst. Führen Sie den Vorgang erneut von Beginn an durch.

Ersetzen der Kohlebürsten (Abb. 28)

Entnehmen und überprüfen Sie die Kohlebürsten in regelmäßigen Abständen. Wenn die Kohlebürsten bis zur Verschleißgrenze abgenutzt sind, müssen die Kohlebürsten durch neue ersetzt werden. Halten Sie die Kohlebürsten sauber und sorgen Sie dafür, dass die Bürsten locker in den Halterungen gleiten. Ersetzen Sie immer beide Kohlebürsten gleichzeitig. Verwenden Sie nur identische Kohlebürsten. (Abb. 29)

Setzen Sie das obere Ende des Schlitzschraubendrehers in die Kerbe am Werkzeug ein, und entfernen Sie die Halterkappenabdeckung, indem Sie diese anheben. (Abb. 30)

Nehmen Sie die Bürstenhalterkappen mit Hilfe eines Schlitzschraubendrehers ab. Entnehmen Sie die verbrauchten Kohlebürsten, setzen Sie neue Bürsten ein und bringen Sie die Bürstenhalterkappen wieder fest an. Befestigen Sie die Halterkappenabdeckung wieder am Gerät.

Lagerung

Zum Aufhängen des Werkzeugs an einem Nagel oder einer Schraube in der Wand ist der Hakendurchbruch im unteren Bereich des Schneidblattschutzes praktisch. (Abb. 31)

Nehmen Sie den Akkublock heraus und bringen Sie den Schneidblattschutz auf den Schneidblättern an, damit die Messer nicht frei liegen. Bewahren Sie das Werkzeug außerhalb der Reichweite von Kindern auf. Bewahren Sie das Werkzeug an einem Platz auf, an dem es weder Wasser noch Regen ausgesetzt ist. Zur Gewährleistung von SICHERHEIT und ZUVERLÄSSIGKEIT des Produkts sollten Reparaturen, Wartungsarbeiten und Einstellungen nur durch von Makita autorisierte Servicecenter durchgeführt und ausschließlich Makita-Ersatzteile verwendet werden.

SONDERZUBEHÖR

ACHTUNG:

- Für das in diesem Handbuch beschriebene Makita-Gerät werden die folgenden Zubehör- und Zusatzteile empfohlen. Bei Verwendung anderer Zubehör- und Zusatzteile kann es zu Verletzungen kommen. Verwenden Sie Zubehör- und Zusatzteile nur für den vorgesehenen Zweck.

Informationen zu diesem Zubehör erhalten Sie von Ihrem Makita-Servicecenter.

- Schneidblattschutz

- Schneidblatt-Baugruppe
- Original-Akku und Original-Ladegerät von Makita
- Spanaufnehmer

HINWEIS:

- Einige der in der Liste aufgeführten Elemente sind dem Werkzeugpaket als Standardzubehör beigelegt. Diese können in den einzelnen Ländern voneinander abweichen.

ITALIANO (Istruzioni originali)

Spiegazione della vista generale

- | | | |
|------------------------------|--|-------------------------------------|
| 1. Indicatore rosso | 13. Superficie della siepe da potare | 25. Coprilama |
| 2. Pulsante | 14. Inclinare le lame | 26. Viti |
| 3. Batteria | 15. Premere | 27. Coperchio inferiore |
| 4. Contrassegno a stella | 16. Raccogliitore di residui | 28. Piastra |
| 5. Indicatore della batteria | 17. Dado | 29. Collare |
| 6. Manopola | 18. Lama da taglio | 30. Foro ovale della lama da taglio |
| 7. Alloggiamento | 19. Aggancio per rami | 31. Indicatore di limite |
| 8. Interruttore B | 20. Ganci | 32. Coperchio del supporto |
| 9. Interruttore A | 21. Inserire i ganci nella scanalatura | 33. Cacciavite piatto |
| 10. Sicura di accensione | 22. Scanalature | 34. Coperchio del portaspazzola |
| 11. Ghiera di regolazione | 23. Premere le leve su entrambi i lati | |
| 12. Direzione di potatura | 24. Sbloccare i ganci | |

CARATTERISTICHE TECNICHE

| Modello | DUH551 | DUH651 |
|--------------------------------------|---------------|----------|
| Lunghezza della lama | 550 mm | 650 mm |
| Corse al minuto (min ⁻¹) | 1.000 - 1.800 | |
| Lunghezza complessiva | 1.065 mm | 1.135 mm |
| Tensione nominale | 36 V CC | |
| Peso netto | 5,1 kg | 5,2 kg |

- Le caratteristiche tecniche riportate di seguito sono soggette a modifiche senza preavviso in virtù del nostro programma continuo di ricerca e sviluppo.
- Le caratteristiche tecniche e le batterie possono differire da paese a paese.
- Peso, comprensivo di batterie, calcolato in base alla Procedura EPTA 01/2003

| Rumorosità | Livello di pressione sonora | | Livello di potenza sonora | | Direttiva o standard applicabile |
|------------|-----------------------------|--------------------------|---------------------------|--------------------------|----------------------------------|
| | Modello | L _{PA} (dB (A)) | Variazione K (dB (A)) | L _{PA} (dB (A)) | |
| DUH551 | 81,5 | 2,1 | 91 | 1,5 | 2000/14/EC |
| DUH651 | 82 | 1,4 | 91,1 | 1,5 | |

- Indossare una protezione acustica.

| Vibrazione | Modello | Emissione dichiarata (m/s ²) | Variazione K (m/s ²) | Direttiva o standard applicabile |
|---------------|---------|--|----------------------------------|----------------------------------|
| | | | | |
| DUH551/DUH651 | | ≤ 2,5 | 1,5 | EN60745 |

- ENG901-1
- Il valore di emissione delle vibrazioni dichiarato è stato misurato in conformità con il metodo di test standard e può essere utilizzato per confrontare tra loro diversi utensili.
 - Il valore dell'emissione delle vibrazioni dichiarato può anche essere usato per stime preliminari dell'esposizione.

AVVERTENZA:

- L'emissione delle vibrazioni durante l'uso effettivo dell'utensile elettrico può risultare diversa rispetto al valore dichiarato, in base alla modalità d'uso dell'utensile.
- Assicurarsi di individuare le necessarie misure di sicurezza per proteggere l'operatore in base a una stima dell'esposizione nelle condizioni reali di utilizzo (prendendo in considerazione tutte le fasi del ciclo operativo, come quante volte l'utensile viene spento e i

periodi in cui rimane inattivo, oltre al tempo di avviamento).

Simboli

END013-4
Di seguito sono riportati i simboli utilizzati per l'utensile. È importante comprenderne il significato prima dell'uso.



..... Leggere il manuale di istruzioni.



..... Non esporre alla pioggia.



Cd
Ni-MH
Li-ion
..... Solo per Paesi UE

Non gettare le apparecchiature elettriche o le batterie tra i rifiuti domestici.

Secondo le Direttive Europee sui rifiuti di apparecchiature elettriche ed elettroniche, su batterie e accumulatori e sui rifiuti di batterie e di accumulatori,

e la sua attuazione in conformità alle norme nazionali, le apparecchiature elettriche e le batterie esauste devono essere raccolte separatamente, al fine di essere riciclate in modo eco-compatibile.

AVVERTENZE DI SICUREZZA PER IL TAGLIASIEPI A BATTERIA

GEB062-5

Uso previsto

ENE014-1

L'utensile è destinato alla potatura di siepi.

Solo per i paesi europei

ENH032-3

Dichiarazione di conformità CE

Makita Corporation, in qualità di produttore responsabile, dichiara che gli utensili Makita indicati di seguito:

Denominazione dell'utensile:

Tagliasiepi a batteria

N. modello/Tipo: DUH551, DUH651

Caratteristiche tecniche: vedere la tabella "CARATTERISTICHE TECNICHE".

appartengono a una produzione in serie e sono conformi alle seguenti direttive europee:

2000/14/EC, 2006/42/EC

Sono inoltre prodotti in conformità agli standard o ai documenti standardizzati riportati di seguito:

EN60745

La documentazione tecnica viene conservata da:

Makita International Europe Ltd.

Technical Department,

Michigan Drive, Tongwell,

Milton Keynes, Bucks MK15 8JD, Inghilterra

La procedura di valutazione della conformità richiesta dalla direttiva 2000/14/EC è stata effettuata secondo quanto specificato nell'allegato V.

Modello DUH551

Livello di potenza sonora misurato: 91,0 dB (A)

Livello di potenza sonora garantito: 93 dB (A)

Modello DUH651

Livello di potenza sonora misurato: 91,1 dB (A)

Livello di potenza sonora garantito: 93 dB (A)

8. 8. 2013



Tomoyasu Kato

Direttore

Makita Corporation

3-11-8, Sumiyoshi-cho,

Anjo, Aichi, 446-8502, JAPAN

Avvertenze generali di sicurezza per l'uso dell'utensile

GEA010-1

⚠ AVVERTENZA Leggere attentamente tutte le avvertenze di sicurezza e le istruzioni. La mancata osservanza delle istruzioni e delle avvertenze riportate di seguito potrebbe provocare scosse elettriche, incendi e/o lesioni gravi.

Conservare le avvertenze e le istruzioni per riferimenti futuri.

- Mantenere tutte le parti del corpo lontane dalla lama. Non rimuovere il materiale tagliato e non sorreggere il materiale da tagliare mentre le lame sono in movimento. Assicurarsi che l'interruttore sia spento prima di liberare il materiale incastrato.** Un momento di disattenzione durante l'uso del tagliasiepi può provocare gravi lesioni personali.
- Trasportare il tagliasiepi afferrandolo per l'impugnatura e con la lama da taglio ferma. Quando si trasporta o si ripone il tagliasiepi, inserire sempre il coprilama.** La corretta manipolazione del tagliasiepi riduce la possibilità di gravi infortuni provocati dalle lame di taglio.
- Impugnare l'utensile esclusivamente dalle superfici di presa isolate, poiché la lama di taglio potrebbe venire a contatto con conduttori nascosti.** Se le lame di taglio entrano in contatto con un filo percorso da corrente, le parti metalliche esposte dell'utensile si troveranno anch'esse sotto tensione e potrebbero provocare scariche elettriche sull'operatore.
- Non usare il tagliasiepi sotto la pioggia o in condizioni di forte umidità. Il motore elettrico non è impermeabile.
- Gli utenti alle prime armi dovrebbero fare affidamento su una persona esperta per imparare a utilizzare il tagliasiepi.
- L'uso del tagliasiepi non è consentito ai minori di 18 anni. Tale restrizione non si estende agli operatori con un'età superiore ai 16 anni opportunamente istruiti da un utente esperto.
- Il tagliasiepi deve essere utilizzato solo da persone in buone condizioni fisiche. La stanchezza può ridurre il livello di attenzione. Prestare particolare attenzione al termine di una giornata di lavoro. Eseguire il lavoro con calma e attenzione. L'utente è responsabile per qualsiasi danno a terzi.
- Non utilizzare l'utensile da taglio se si è sotto l'influenza di alcol, droghe o farmaci.
- Guanti di lavoro in cuoio robusto fanno parte dell'equipaggiamento di base del tagliasiepi e devono essere sempre indossati durante il lavoro. Indossare anche scarpe robuste con suola antiscivolo.
- Prima di cominciare il lavoro, assicurarsi che l'utensile da taglio sia in condizioni sicure e ottimali. Verificare che le protezioni siano installate correttamente. Il tagliasiepi deve essere utilizzato solo se completamente montato.
- Assumere una posizione stabile e sicura prima di iniziare il lavoro.
- Sorreggere saldamente l'utensile durante l'uso.
- Non azionare inutilmente l'utensile a vuoto.
- Spegnere immediatamente il motore e rimuovere la batteria se la lama dovesse entrare in contatto con una palizzata o un altro oggetto rigido. Ispezionare la lama e, in caso di danni, ripararla immediatamente.
- Spegnere sempre l'utensile da taglio e rimuovere la batteria prima di ispezionare la lama, riparare i guasti o rimuovere il materiale incastrato nella lama.
- Spegnere l'utensile da taglio e rimuovere la batteria prima di eseguire qualsiasi lavoro di manutenzione.

17. Quando il tagliasièpi viene spostato in un altro luogo, anche durante il lavoro, rimuovere sempre la batteria e applicare la copertura sulle lame di taglio. Non trasportare o spostare l'utensile da taglio mentre la lama è in funzione. Non afferrare la lama da taglio con le mani.
18. Pulire il tagliasièpi, specialmente la lama, dopo l'uso e prima di riporre l'utensile da taglio per periodi prolungati. Oliare leggermente la lama da taglio e applicare la copertura. La copertura in dotazione con l'unità può essere appesa al muro, garantendo un metodo sicuro e pratico per riporre il tagliasièpi.
19. Riporre il tagliasièpi in un luogo asciutto e con la copertura installata. Tenere fuori dalla portata dei bambini. Non riporre mai l'utensile da taglio all'aperto.

CONSERVARE QUESTE ISTRUZIONI.

⚠ AVVERTENZA:

NON lasciare che la familiarità acquisita con il prodotto (dovuta all'uso ripetuto) provochi l'inosservanza delle norme di sicurezza. L'USO IMPROPRIO o la mancata osservanza delle norme di sicurezza indicate in questo manuale di istruzioni possono provocare gravi danni alla persona.

ISTRUZIONI IMPORTANTI PER LA SICUREZZA

ENC007-8

RELATIVE ALLA BATTERIA

1. **Prima di utilizzare la batteria, leggere tutte le istruzioni e gli avvisi di sicurezza relativi a (1) caricabatteria, (2) batteria e (3) prodotto utilizzato con la batteria.**
2. **Non smontare la batteria.**
3. **Se il tempo di funzionamento è diventato eccessivamente breve, non utilizzare l'utensile. Potrebbero verificarsi surriscaldamenti, ustioni o esplosioni.**
4. **In caso di contatto dell'elettrolita della batteria con gli occhi, sciacquare con acqua fresca e rivolgersi immediatamente a un medico. Potrebbero verificarsi danni permanenti alla funzionalità visiva.**
5. **Non cortocircuitare la batteria:**
 - (1) **Non toccare i terminali della batteria con materiale in grado di condurre elettricità.**
 - (2) **Evitare di conservare la batteria a contatto con oggetti metallici quali chiodi, monete e così via.**
 - (3) **Non esporre le batterie all'acqua o alla pioggia.**

Un cortocircuito può provocare un elevato flusso di corrente, surriscaldamento, ustioni o rotture.
6. **Non conservare l'utensile e la batteria a una temperatura superiore a 50 °C.**
7. **Evitare di smaltire le batterie danneggiate o esaurite bruciandole. Se esposte al fuoco, le batterie possono esplodere.**
8. **Evitare di far cadere o di colpire la batteria.**
9. **Non utilizzare batterie danneggiate.**

10. **Attenersi alle normative della propria area geografica relative allo smaltimento delle batterie.**

CONSERVARE QUESTE ISTRUZIONI.

Suggerimenti il prolungamento della durata della batteria

1. **Caricare le batterie prima di scaricarle completamente.**
Se si nota una diminuzione di potenza dell'utensile, interrompere il lavoro e ricaricare la batteria.
2. **Non ricaricare una batteria già completamente carica.**
In caso contrario, la durata operativa della batteria potrebbe ridursi.
3. **Caricare la batteria in ambienti con temperatura compresa tra 10 °C e 40 °C. Prima di caricare una batteria surriscaldata, lasciarla raffreddare.**
4. **Caricare la batteria una volta ogni sei mesi se l'utensile rimane inutilizzato per lungo tempo.**

DESCRIZIONE FUNZIONALE

⚠ ATTENZIONE:

- Prima di regolare o controllare le funzioni dell'utensile, assicurarsi sempre di averlo spento e di aver rimosso la batteria.

Inserimento o rimozione della batteria (Fig. 1)

⚠ ATTENZIONE:

- Spegnerne sempre l'utensile prima di inserire o rimuovere la batteria.
- **Tenere saldamente l'utensile e la batteria durante l'inserimento o la rimozione della batteria stessa.** In caso contrario, l'utensile e la batteria potrebbero scivolare dalle mani, con conseguenti danni all'utensile, alla batteria e alla persona.

Per rimuovere la batteria, è sufficiente estrarla dall'utensile facendo scorrere il pulsante sulla parte anteriore della batteria.

Per inserire la batteria, allineare la linguetta sulla batteria con la scanalatura nell'alloggiamento e farla scorrere in posizione. Inserire a fondo la batteria fino a bloccarla in posizione con uno scatto. Se è visibile l'indicatore rosso sul lato superiore del pulsante, significa che la batteria non è completamente inserita.

⚠ ATTENZIONE:

- Inserire sempre a fondo la batteria, fino alla scomparsa dell'indicatore rosso. In caso contrario, la batteria potrebbe fuoriuscire accidentalmente dall'utensile, provocando danni all'operatore o a eventuali osservatori.
- Non forzare l'inserimento della batteria. Se la batteria non scorre agevolmente, significa che la manovra di inserimento non è corretta.

NOTA:

- L'utensile non funziona con una sola batteria.

Sistema di protezione dell'utensile e della batteria

L'utensile è dotato di un sistema di protezione dell'utensile e della batteria. Questo sistema interrompe automaticamente l'alimentazione del motore per prolungare la durata dell'utensile e della batteria. L'utensile si spegne automaticamente durante l'uso se l'utensile stesso o la batteria si trovano in una delle seguenti condizioni. In alcuni casi, gli indicatori si accendono.

Protezione dal sovraccarico

Se usato in modo da causare un suo assorbimento anormalmente alto di corrente, l'utensile si spegne automaticamente senza alcuna indicazione. In questa situazione, spegnere l'utensile e interrompere l'operazione che ha provocato il sovraccarico dell'utensile stesso. Successivamente, accendere nuovamente l'utensile per riavviarlo.

Protezione dal surriscaldamento dell'utensile e della batteria

Quando l'utensile/la batteria si surriscalda, l'utensile si spegne automaticamente senza alcuna indicazione e non si avvia neanche tirando l'interruttore di accensione. In questa situazione, far raffreddare l'utensile e la batteria prima di accendere nuovamente l'utensile.

NOTA:

La protezione dal surriscaldamento della batteria funziona solo con una batteria con contrassegno a stella. (Fig. 2)

Protezione dal sovraccaricamento (Fig. 3)

Se la capacità residua della batteria è bassa, l'indicatore della batteria lampeggia sul lato appropriato della batteria. Se si prosegue l'utilizzo, l'utensile si spegne e l'indicatore della batteria si accende per circa 10 secondi. In tal caso, ricaricare la batteria.

Posizioni di regolazione dell'impugnatura

⚠ ATTENZIONE:

- Prima dell'uso, assicurarsi sempre che l'impugnatura sia bloccata nella posizione desiderata. (Fig. 4)
- In base alle operazioni, è possibile impostare l'angolo dell'impugnatura a 45° o 90° verso sinistra o verso destra. Per ruotare l'impugnatura, tirare la manopola e ruotare l'impugnatura come mostrato nella figura. L'impugnatura viene bloccata nella posizione a 45°. Per ruotare l'impugnatura nella posizione a 90°, tirare nuovamente la manopola e ruotare ulteriormente l'impugnatura.

Azionamento dell'interruttore

⚠ ATTENZIONE:

- Prima di inserire la batteria nell'utensile, controllare se l'interruttore funziona correttamente e ritorna in posizione "OFF" una volta rilasciato. (Fig. 5)
- Per ragioni di sicurezza, questo utensile è dotato di un doppio sistema di interruttori. Per accendere l'utensile, premere la sicura di accensione e gli interruttori A e B. Per spegnere, rilasciare uno degli interruttori di accensione. L'utensile viene avviato solo se vengono tirati entrambi gli interruttori.

Modifica della velocità (Fig. 6)

Il numero di corse al minuto può essere regolato ruotando la ghiera di regolazione. L'operazione può essere eseguita anche quando l'utensile è in funzione. I segni sulla ghiera vanno da 1 (velocità minima) a 6 (velocità massima).

Fare riferimento alla tabella seguente per quanto riguarda la relazione fra la posizione della ghiera di regolazione e il numero di corse al minuto.

| Numero sulla ghiera di regolazione | Corse al minuto (min ⁻¹) |
|------------------------------------|--------------------------------------|
| 6 | 1.800 |
| 5 | 1.750 |
| 4 | 1.650 |
| 3 | 1.500 |
| 2 | 1.300 |
| 1 | 1.000 |

011264

⚠ ATTENZIONE:

- La ghiera di regolazione della velocità può essere ruotata solamente fino a 6 e indietro fino a 1. Non forzarla oltre i numeri 6 o 1, altrimenti la regolazione della velocità non funzionerà più.
- Il numero di corse al minuto varia in base alle condizioni della batteria e delle lame da taglio.

FUNZIONAMENTO

⚠ ATTENZIONE:

- Prestare attenzione a non entrare accidentalmente in contatto con una palizzata metallica o altri oggetti duri durante il taglio. La lama si romperebbe causando gravi infortuni.
- Sporgersi con il taglia siepi, soprattutto da una scala, è estremamente pericoloso. Non lavorare su strutture pericolanti o instabili. (Fig. 7)

Non tentare di tagliare rami con diametro superiore a 10 mm con il presente taglia siepi. È opportuno tagliarli prima con delle cesoie portandoli al livello di potatura della siepe.

⚠ ATTENZIONE:

- Non tagliare alberi secchi o oggetti altrettanto duri. In caso contrario, si rischierebbe di danneggiare l'utensile. (Fig. 8)

Impugnare il taglia siepi con entrambe le mani e tirare gli interruttori di accensione A e B, spostando quindi l'utensile di fronte al proprio corpo. (Fig. 9)

Per un uso più semplice, inclinare la lama in direzione del taglio e spostarla lentamente e con calma a una velocità di 3-4 secondi per metro. (Fig. 10)

Per tagliare in modo uniforme la sommità di una siepe, è possibile tendere uno spago all'altezza desiderata per utilizzarlo come linea di riferimento durante il taglio. (Fig. 11)

L'uso di un raccoglitore di residui (accessorio opzionale) durante il taglio orizzontale delle siepi evita di spargere le foglie tagliate. (Fig. 12)

Prima dell'utilizzo, ruotare l'impugnatura per una maggiore maneggevolezza. Consultare la sezione "Posizioni di regolazione dell'impugnatura".

Per tagliare in modo uniforme il lato di una siepe, può essere d'aiuto procedere dal basso verso l'alto. (Fig. 13)
Per ottenere buoni risultati, il bosso e il rododendro devono essere tagliati dalla base verso l'alto.

Installazione o rimozione del raccogliitore di residui (accessorio opzionale)

⚠ ATTENZIONE:

- Prima di installare o rimuovere il raccogliitore di residui, assicurarsi sempre di aver spento l'utensile e di aver rimosso la batteria.

NOTA:

- Durante la sostituzione del raccogliitore di residui, indossare sempre i guanti per evitare il contatto diretto di mani e volto con la lama. In caso contrario, si potrebbero verificare lesioni personali.
- Accertarsi sempre di rimuovere il coprilama prima di installare il raccogliitore di residui.
- Il raccogliitore di residui raccoglie le foglie tagliate, impedendo che vengano disperse. Può essere installato su entrambi i lati dell'utensile. (Fig. 14)

Premere il raccogliitore di residui sulle lame da taglio in modo che le sue scanalature si sovrappongano ai dadi delle lame da taglio. In questa fase, assicurarsi che il raccogliitore di residui non tocchi l'aggancio per i rami sulla sommità delle lame da taglio. (Fig. 15)

In questa fase, il raccogliitore di residui deve essere montato inserendo i ganci nelle scanalature dell'unità della lama da taglio. (Fig. 16)

Per rimuovere il raccogliitore di residui, premere la leva su entrambi i lati in modo da sbloccare i ganci. (Fig. 17)

⚠ ATTENZIONE:

- Il coprilama non può essere montato sull'utensile quando è già montato il raccogliitore di residui. Prima di trasportare o riporre l'utensile, smontare il raccogliitore di residui e rimontare il coprilama per evitare di esporre la lama.

NOTA:

- Prima dell'uso, verificare che il raccogliitore di residui sia installato correttamente.
- Non tentare di smontare il raccogliitore di residui esercitando una forza eccessiva sui ganci inseriti nelle scanalature dell'unità della lama. L'uso di forza eccessiva potrebbe danneggiare l'accessorio.

MANUTENZIONE

⚠ ATTENZIONE:

- Prima di effettuare interventi di ispezione e manutenzione, verificare sempre di aver spento l'utensile e di aver rimosso la batteria.
- Evitare assolutamente di usare benzina, diluenti, solventi, alcol o sostanze simili. In caso contrario, potrebbero verificarsi scoloriture, deformazioni o incrinature.

Pulizia dell'utensile

Pulire l'utensile eliminando la polvere con un panno asciutto o immerso in acqua e sapone.

Manutenzione della lama

Oliare la lama prima dell'uso e dopo ogni ora di utilizzo con olio per macchine o simili.

NOTA:

- Rimuovere il raccogliitore di residui prima di oliare la lama.

Dopo l'uso, eliminare la polvere da entrambi i lati della lama con una spazzola metallica, pulire con un panno, quindi applicare una quantità sufficiente di olio a bassa viscosità, ad esempio olio per macchine o simili, oppure olio lubrificante spray.

⚠ ATTENZIONE:

- Non lavare le lame con acqua. Questa operazione potrebbe favorire la comparsa di ruggine o danneggiare l'utensile.

Installazione o rimozione della lama da taglio

⚠ ATTENZIONE:

- Prima di rimuovere o installare la lama da taglio, verificare sempre che l'utensile sia spento e che la batteria sia stata rimossa.
- Durante la sostituzione della lama da taglio, indossare sempre i guanti e non rimuovere il coprilama per evitare il contatto diretto di mani e volto con la lama. In caso contrario, si potrebbero verificare lesioni personali.

NOTA:

- Non eliminare il grasso dall'ingranaggio e dal collare. In caso contrario, si potrebbero causare danni all'utensile.
- Per informazioni specifiche sulla rimozione e sull'installazione delle lame da taglio, fare riferimento al retro della confezione delle lame da taglio sostitutive.

Rimozione delle lame da taglio

Capovolgere l'utensile e allentare le quattro viti. (Fig. 18)

NOTA:

- Prestare attenzione a non sporcarsi le mani con il grasso applicato nella zona di guida della lama da taglio.

Rimuovere il coperchio inferiore. (Fig. 19)

Rimuovere la piastra. (Fig. 20)

Con un cacciavite piatto, impostare il collare all'angolo illustrato in figura. (Fig. 21)

Rimuovere due viti dalle lame da taglio per estrarre l'unità delle lame da taglio. (Fig. 22)

⚠ ATTENZIONE:

- Riportare l'ingranaggio nella posizione originale di installazione, qualora sia stato tolto per errore.

Montaggio delle lame da taglio

Preparare le 4 viti rimosse (per il coperchio inferiore), le 2 viti (per la lama da taglio), la piastra, il coperchio inferiore e le nuove lame da taglio.

Regolare la posizione del collare come mostrato nella figura. In questa fase, applicare un po' del grasso in dotazione con le nuove lame da taglio ai margini del collare. (Fig. 23)

Sovrapporre il foro ovale della lama superiore con quello della lama inferiore. (Fig. 24)

Rimuovere il coprilama dalle vecchie lame da taglio e inserirlo sulle nuove per facilitare le operazioni di sostituzione. **(Fig. 25)**

Inserire le nuove lame da taglio nell'utensile, in modo che i fori ovali delle lame corrispondano al collare.

Sovrapporre i fori delle lame da taglio con i fori per le viti sull'utensile e fissare il tutto con due viti. **(Fig. 26)**

Con un cacciavite piatto, assicurarsi che il collare ruoti senza difficoltà. **(Fig. 27)**

Montare la piastra e il coperchio inferiore sull'utensile. Serrare saldamente la vite.

NOTA:

- Non c'è differenza tra le parti superiore e inferiore della piastra.

Rimuovere il coprilama e accendere l'utensile per controllare che funzioni correttamente.

NOTA:

- Se le lame da taglio non funzionano correttamente, il collegamento tra le lame e il collare non è corretto. Ripetere la procedura dall'inizio.

Sostituzione delle spazzole in carbonio **(Fig. 28)**

Rimuovere e controllare periodicamente le spazzole in carbonio. Sostituire le spazzole quando sono consumate fino al limite indicato. Mantenere le spazzole in carbonio pulite e in grado di scivolare liberamente nei supporti. Le spazzole in carbonio devono essere sostituite contemporaneamente. Utilizzare esclusivamente spazzole in carbonio identiche. **(Fig. 29)**

Inserire l'estremità superiore del cacciavite piatto nella tacca sull'utensile, quindi rimuovere il coperchio del supporto mediante sollevamento. **(Fig. 30)**

Utilizzare un cacciavite piatto per rimuovere i coperchi dei portaspazzola. Estrarre le spazzole in carbonio consumate, inserire le nuove spazzole e fissare i coperchi dei portaspazzola.

Rimontare il coperchio del supporto sull'utensile.

Stoccaggio

Il foro sul fondo del coprilama è utile per appendere l'utensile a un chiodo o a una vite sul muro. **(Fig. 31)**

Rimuovere la batteria e applicare il coprilama sulle lame da taglio, in modo che le lame non siano esposte. Riporre l'utensile con attenzione e lontano dalla portata dei bambini.

Riporre l'utensile in un luogo non esposto ad acqua e pioggia.

Per mantenere la SICUREZZA e l'AFFIDABILITÀ del prodotto, qualsiasi riparazione o intervento di manutenzione e regolazione deve essere eseguito dai centri assistenza autorizzati Makita utilizzando sempre ricambi Makita.

ACCESSORI OPZIONALI

 **ATTENZIONE:**

- Si consiglia l'uso dei seguenti accessori per l'utensile Makita descritto in questo manuale. L'uso di qualsiasi altro accessorio potrebbe provocare lesioni personali. Utilizzare gli accessori esclusivamente per l'uso dichiarato.

Per l'assistenza e per ulteriori informazioni su tali accessori, rivolgersi al centro assistenza Makita di zona.

- Coprilama
- Unità lama da taglio
- Batteria e caricabatterie originali Makita
- Raccogliitore di residui

NOTA:

- Alcuni degli accessori elencati potrebbero essere inclusi nella confezione dell'utensile come accessori standard. Gli accessori standard possono differire da paese a paese.

NEDERLANDS (Originele instructies)

Verklaring van het onderdelenoverzicht

- | | | |
|-------------------------------------|---|--|
| 1. Rode deel | 14. Kantel de messenbladen | 24. Trek de vergrendeling uit de groeven |
| 2. Knop | 15. Drukken | 25. Schede |
| 3. Accu | 16. Snoeiafvalgeleider | 26. Schroeven |
| 4. Ster-merkteken | 17. Moer | 27. Deksel op onderkant |
| 5. Accu-indicatorlampje | 18. Messenblad | 28. Plaat |
| 6. Knop | 19. Takkenvanger | 29. Kruk |
| 7. Behuizing | 20. Vergrendelingen | 30. Ovale gat in messenblad |
| 8. Aan-uitschakelaar B | 21. Plaats de vergrendelingen in de groeven | 31. Slijtgrensmarkering |
| 9. Aan-uitschakelaar A | 22. Groeven | 32. Houderafdekking |
| 10. Uit-vergrendelknop | 23. Duw de knoppen aan beide zijden in | 33. Platkopschroevendraaier |
| 11. Stelknop | | 34. Koolborsteldop |
| 12. Snoeirichting | | |
| 13. Hegoppervlak dat u wilt snoeien | | |

TECHNISCHE GEGEVENS

| | | |
|---|-------------------|----------|
| Model | DUH551 | DUH651 |
| Lengte messenblad | 550 mm | 650 mm |
| Aantal slagen per minuut (min ⁻¹) | 1.000 - 1.800 | |
| Totale lengte | 1.065 mm | 1.135 mm |
| Nominale spanning | 36 V gelijkstroom | |
| Nettogewicht | 5,1 kg | 5,2 kg |

- Als gevolg van ons doorlopende onderzoeks- en ontwikkelingsprogramma, zijn de technische gegevens van dit gereedschap onderhevig aan veranderingen zonder voorafgaande kennisgeving.
- Specificaties en accu's kunnen van land tot land verschillen.
- Gewicht, inclusief de accu, volgens de EPTA-procedure 01/2003

| Geluid | Geluidsdrukkniveau | | Geluidsvermogniveau | | Toepasselijke norm of richtlijn |
|--------|--------------------|--------------------------|--------------------------|--------------------------|---------------------------------|
| | Model | L _{PA} (dB (A)) | Onzekerheid (K) (dB (A)) | L _{PA} (dB (A)) | |
| DUH551 | 81,5 | 2,1 | 91 | 1,5 | 2000/14/EG |
| DUH651 | 82 | 1,4 | 91,1 | 1,5 | |

- Draag gehoorbescherming.

| Trillingen | Opgegeven emissie (m/s ²) | Onzekerheid K (m/s ²) | Toepasselijke norm of richtlijn |
|---------------|---------------------------------------|-----------------------------------|---------------------------------|
| | | | |
| DUH551/DUH651 | ≤ 2,5 | 1,5 | EN60745 |

ENG901-1

- De opgegeven trillingsemisiewaarde is gemeten volgens de standaardtestmethode en kan worden gebruikt om dit gereedschap te vergelijken met andere gereedschappen.
- De opgegeven trillingsemisiewaarde kan ook worden gebruikt voor een beoordeling vooraf van de blootstelling.

WAARSCHUWING:

- De trillingsemisie tijdens het gebruik van het elektrisch gereedschap in de praktijk kan verschillen van de opgegeven trillingsemisiewaarde afhankelijk van de manier waarop het gereedschap wordt gebruikt.
- Zorg ervoor dat veiligheidsmaatregelen worden getroffen ter bescherming van de operator die zijn gebaseerd op een schatting van de blootstelling onder praktijkomstandigheden (rekening houdend met alle fasen van de bedrijfscyclus, zoals de tijdsduur

gedurende welke het gereedschap is uitgeschakeld en stationair draait, naast de ingeschakelde tijdsduur).

Symbolen

END013-4

Hieronder staan de symbolen die voor het gereedschap worden gebruikt. Zorg ervoor dat u weet wat ze betekenen alvorens de accu te gebruiken.



..... Lees de gebruiksaanwijzing.



..... Stel het gereedschap niet bloot aan regen.



..... Alleen voor EU-landen
Geef elektrisch gereedschap en accu's niet met het huisvuil mee!
Volgens de Europese richtlijn inzake oude elektrische en elektronische

apparaten, en inzake batterijen en accu's en oude batterijen en accu's, en de toepassing daarvan binnen de nationale wetgeving, dienen elektrisch gereedschap, accu's en batterijen die het einde van hun levensduur hebben bereikt, gescheiden te worden ingezameld en te worden afgevoerd naar een recyclebedrijf dat voldoet aan de geldende milieu-eisen.

Bewaar alle waarschuwingen en instructies om in de toekomst te kunnen raadplegen.

VEILIGHEIDSWAARSCHUWINGEN SPECIFIEK VOOR EEN ACCUHEGGENSCHAAR

GEB062-5

Gebruiksdoeleinden

ENE014-1

Het gereedschap is bedoeld om heggen te snoeien.

Alleen voor Europese landen

ENH032-3

EU-verklaring van conformiteit

Wij, **Makita Corporation**, als de verantwoordelijke fabrikant, verklaren dat de volgende Makita-machine(s):

Aanduiding van de machine:

Accuheggenschaar

Modelnr./Type: DUH551, DUH651

Technische gegevens: zie de tabel "TECHNISCHE GEGEVENS".

in serie zijn geproduceerd en

Voldoen aan de volgende Europese richtlijnen:

2000/14/EG, 2006/42/EG

En zijn gefabriceerd in overeenstemming met de volgende normen of genormaliseerde documenten: EN60745

De technische documentatie wordt bewaard door:

Makita International Europe Ltd.

Technical Department,

Michigan Drive, Tongwell,

Milton Keynes, Bucks MK15 8JD, Engeland

De conformiteitsbeoordelingsprocedure vereist door

Richtlijn 2000/14/EG was in Overeenstemming met annex V.

Model DUH551

Gemeten geluidsvermogeniveau: 91,0 dB (A)

Gegarandeerd geluidsvermogeniveau: 93 dB (A)

Model DUH651

Gemeten geluidsvermogeniveau: 91,1 dB (A)

Gegarandeerd geluidsvermogeniveau: 93 dB (A)

8. 8. 2013



Tomoyasu Kato

Directeur

Makita Corporation

3-11-8, Sumiyoshi-cho,

Anjo, Aichi, 446-8502, JAPAN

Algemene veiligheids waarschuwingen voor elektrisch gereedschap

GEA010-1

WAARSCHUWING Lees alle

veiligheids waarschuwingen en alle instructies. Het niet volgen van de waarschuwingen en instructies kan leiden tot elektrische schokken, brand en/of ernstig letsel.

1. **Houd alle lichaamsdelen uit de buurt van de messenbladen. Verwijder geen snoeiafval en houd geen materiaal om te snoeien vast terwijl de messenbladen bewegen. Zorg ervoor dat de aan/uit-schakelaar in de uit-stand staat voordat u vastgeklemd materiaal vanaf de messenbladen verwijdert.** Een ogenblik van onoplettendheid kan tijdens het gebruik van de heggenschaar leiden tot ernstig persoonlijk letsel.
2. **Draag de heggenschaar aan het handvat met stilstaande messenbladen. Bij het transporteren of opbergen van de heggenschaar moet altijd de schede om de messenbladen worden gedaan.** Door op de juiste manier met de heggenschaar om te gaan, verkleint u de kans op mogelijk letsel door de messenbladen.
3. **Houd het elektrisch gereedschap alleen vast bij het geïsoleerde oppervlak omdat de messenbladen met verborgen bedrading in aanraking kunnen komen.** Wanneer de messenbladen in aanraking komen met onder spanning staande draden, zullen de niet-geïsoleerde metalen delen van het gereedschap onder spanning komen te staan zodat de gebruiker een elektrische schok kan krijgen.
4. Gebruik de heggenschaar niet in de regen of onder natte of zeer vochtige omstandigheden. De elektromotor is niet waterdicht.
5. Onervaren gebruikers dienen door een ervaren gebruiker van heggenscharen te worden voorgedaan hoe de heggenschaar moet worden gebruikt.
6. De heggenschaar mag niet worden gebruikt door kinderen of jeugd jonger dan 18 jaar. Jongeren ouder dan 16 jaar kunnen uitgezonderd worden van deze regel mits zijn les krijgen onder toezicht van een expert.
7. Gebruik de heggenschaar alleen als u in goede lichamelijke conditie bent. Als u vermoeid bent, kunt u zich minder goed concentreren. Wees met name voorzichtig aan het einde van de werkdag. Werk altijd rustig en voorzichtig. De gebruiker is aansprakelijk voor alle schade toegebracht aan derden.
8. Gebruik de heggenschaar nooit onder invloed van alcohol, drugs of medicijnen.
9. Werkhandschoenen van stevig leer maken deel uit van de standaardwerkuitrusting van de heggenschaar en moeten tijdens het werken ermee altijd worden gedragen. Draag tevens stevige schoenen met slipvaste zolen.
10. Alvorens met de werkzaamheden te beginnen, moet u controleren of de heggenschaar in goede en veilige staat verkeert. Controleer dat de beschermkappen stevig gemonteerd zijn. De heggenschaar mag niet worden gebruikt voordat deze geheel compleet en afgemonteerd is.

11. Zorg alvorens met de werkzaamheden te beginnen ervoor dat u stevig staat.
12. Houd tijdens het gebruik het gereedschap stevig vast.
13. Laat het gereedschap niet onnodig onbelast draaien.
14. Schakel het gereedschap onmiddellijk uit en verwijder de accu als de messenbladen van de heggenschaar in aanraking komen met een afrastering of ander hard voorwerp. Controleer de messenbladen op beschadigingen en repareer deze onmiddellijk.
15. Alvorens de messenbladen te controleren, steringen te verhelpen of vastgelopen materiaal te verwijderen, schakelt u de heggenschaar altijd uit en verwijdert u de accu.
16. Schakel de heggenschaar uit en verwijder de accu alvorens enige onderhoudswerkzaamheden uit te voeren.
17. Wanneer u de heggenschaar naar een andere plaats overbrengt, ook tijdens het werk, verwijdert u altijd eerst de accu en schuift u de schede over de messenbladen. Draag of vervoer de heggenschaar nooit met ingeschakelde messenbladen. Pak de messenbladen nooit met uw handen beet.
18. Reinig de heggenschaar, en met name de messenbladen, na ieder gebruik en voordat de heggenschaar langdurig wordt opgeborgen. Smeer de messenbladen met een beetje olie en breng de schede aan. De schede die bij het gereedschap is geleverd kan aan een muur worden gehangen zodat de heggenschaar praktisch en veilig opgeborgen kan worden.
19. Berg de heggenschaar op met aangebrachte schede in een droog vertrek. Houd het gereedschap buiten bereik van kinderen. Laat de heggenschaar nooit buiten liggen.

BEWAAR DEZE INSTRUCTIES.

WAARSCHUWING:

Laat u **NIET** misleiden door een vals gevoel van comfort en bekendheid met het gereedschap (na veelvuldig gebruik) en neem alle veiligheidsvoorschriften van het betreffende product altijd strikt in acht. **VERKEERD GEBRUIK** of het niet volgen van de veiligheidsinstructies in deze gebruiksaanwijzing kan leiden tot ernstig persoonlijk letsel.

BELANGRIJKE VEILIGHEIDSinSTRUCTIES ENC007-8

VOOR ACCU'S

1. Alvorens de accu in gebruik te nemen, leest u eerst alle instructies en waarschuwingsofschriften op (1) de acculader, (2) de accu en (3) het apparaat waarin de accu wordt aangebracht.
2. Haal de accu niet uit elkaar.
3. Als de gebruikstijd aanzienlijk korter is geworden, stopt u onmiddellijk met het gebruik. Anders kan dit leiden tot kans op oververhitting, mogelijke brandwonden en zelfs een explosie.
4. Als de elektrolyt in uw ogen komt, wast u deze uit met schoon water en raadpleegt u onmiddellijk

een arts. Dit kan leiden tot verlies van gezichtsvermogen.

5. Sluit de accu niet kort:

- (1) Raak de accupolen niet aan met enig geleidend materiaal.
 - (2) Bewaar de accu niet op een plaats waar deze in aanraking kan komen met andere metalen voorwerpen, zoals spijkers, munten, enz.
 - (3) Stel de accu niet bloot aan water of regen. Kortsluiting van de accu kan leiden tot een hoge stroomsterkte, oververhitting, mogelijke brandwonden en zelfs een defect.
6. Bewaar het gereedschap en de accu niet op plaatsen waar de temperatuur kan oplopen tot 50 °C of hoger.
 7. Werp de accu niet in een vuur, zelfs niet als deze al ernstig beschadigd of helemaal versleten is. De accu kan in een vuur exploderen.
 8. Wees voorzichtig dat u de accu niet laat vallen of ergens tegenaan stoot.
 9. Gebruik nooit een beschadigde accu.
 10. Neem de plaatselijke regelgeving met betrekking tot het weggooiën van de accu in acht.

BEWAAR DEZE INSTRUCTIES.

Tips voor een lange levensduur van de accu

1. Laad de accu op voordat deze volledig leeg is. Wanneer u merkt dat het gereedschap minder vermogen heeft, stopt u met het gebruik ervan en laadt u eerst de accu op.
2. Laad nooit een volledig opgeladen accu op. Te lang opladen verkort de levensduur van de accu.
3. Laad de accu op bij een omgevingstemperatuur van 10 °C tot 40 °C. Laat een warme accu eerst afkoelen voordat u deze oplaadt.
4. Laad de accu ieder half jaar op als u deze gedurende een lange tijd niet gebruikt.

BESCHRIJVING VAN DE FUNCTIES

LET OP:

- Zorg ervoor dat het gereedschap is uitgeschakeld en dat de accu is verwijderd voordat u de werking van het gereedschap aanpast of controleert.

De accu aanbrengen en verwijderen (zie afb. 1)

LET OP:

- Schakel het gereedschap altijd uit voordat u de accu aanbrengt of verwijdert.
- Houd het gereedschap en de accu stevig vast tijdens het aanbrengen of verwijderen van de accu. Als u het gereedschap en de accu niet stevig vasthoudt, kunnen deze uit uw handen glippen en beschadigd raken, of kan persoonlijk letsel worden veroorzaakt.

Om de accu te verwijderen verschuift u de knop aan de voorkant van de accu en schuift u tegelijkertijd de accu eraf.

Om de accu aan te brengen, lijnt u de lip op de accu uit met de groef in de behuizing en duwt u de accu op zijn plaats. Steek de accu zo ver mogelijk erin tot u een klikgeluid hoort. Als u het rode deel aan de bovenkant van de knop kunt zien, is de accu niet goed aangebracht.

⚠ LET OP:

- Breng de accu altijd helemaal aan totdat het rode deel niet meer zichtbaar is. Als u dit niet doet, kan de accu per ongeluk uit het gereedschap vallen en letsel veroorzaken bij u of anderen in uw omgeving.
- Breng de accu niet met kracht aan. Als de accu niet gemakkelijk erin kan worden geschoven, wordt deze niet goed aangebracht.

OPMERKING:

- Het gereedschap werkt niet als slechts één accu is aangebracht.

Gereedschap-/accubeveiligingssysteem

Het gereedschap is uitgerust met een gereedschap-/accubeveiligingssysteem. Dit systeem schakelt automatisch de voeding naar de motor uit om de levensduur van het gereedschap en de accu te verlengen. Het gereedschap zal tijdens gebruik automatisch stoppen wanneer het gereedschap of de accu zich in een van de volgende omstandigheden bevindt: Onder bepaalde omstandigheden gaan de indicatorlampjes branden.

Overbelastingsbeveiliging

Wanneer het gereedschap wordt gebruikt op een manier waardoor een abnormaal hoge stroom wordt getrokken, stopt het gereedschap automatisch zonder dat een indicatorlampje gaat branden. Schakel in die situatie het gereedschap uit en stop het gebruik dat ertoe leidde dat het gereedschap overbelast werd. Schakel daarna het gereedschap in om het weer te starten.

Oververhittingsbeveiliging voor het gereedschap en de accu

Wanneer het gereedschap of de accu oververhit is, stopt het gereedschap automatisch zonder dat een indicatorlampje gaat branden. Het gereedschap start niet meer, ook niet wanneer de aan-uitschakelaar wordt ingeknepen. In die situatie laat u het gereedschap of de accu eerst afkoelen voordat u het gereedschap opnieuw inschakelt.

OPMERKING:

De oververhittingsbeveiliging van de accu werkt alleen met een accu waarop het ster-merkteken staat (zie **afb. 2**).

Beveiliging tegen te ver ontladen (zie **afb. 3)**

Wanneer de resterende acculading laag wordt, gaat het accu-indicatorlampje knippen aan de kant van de betreffende accu. Bij verder gebruik stopt het gereedschap en brandt het accu-indicatorlampje gedurende ongeveer 10 seconden. In die situatie laadt u de accu op.

Draaiestand van handvat

⚠ LET OP:

- Controleer voor gebruik altijd dat het handvat in de gewenste stand goed is vergrendeld (zie **afb. 4**). Afhankelijk van het gebruik, kunt u de hoek van het handvat instellen op 45° of 90° naar links of rechts. Om het handvat te draaien, trek u aan de knop en draait u het handvat zoals aangegeven in de afbeelding. Het handvat wordt vergrendeld in de stand 45°. Om het handvat te draaien naar de stand 90°, trekt u nogmaals aan de knop en draait u het handvat verder.

Werking van de aan-uitschakelaar

⚠ LET OP:

- Controleer altijd, voordat u de accu in het gereedschap steekt, of de aan-uitschakelaar op de juiste manier schakelt en weer terugkeert naar de uit-stand nadat deze is losgelaten (zie **afb. 5**).

Voor uw veiligheid heeft dit gereedschap een tweevoudig in-/uitschakelsysteem. Om het gereedschap in te schakelen, drukt u op de uit-vergrendelknop en knijpt u de aan-uitschakelaar A en B in. Om het gereedschap uit te schakelen, laat u een van beide aan-uitschakelaars los. Het gereedschap kan alleen worden ingeschakeld wanneer beide aan-uitschakelaars worden ingeknepen.

De snelheid veranderen (zie **afb. 6)**

Het aantal slagen per minuut kan worden ingesteld door de stelknop te draaien. Dit kan zelfs worden gedaan terwijl het gereedschap wordt gebruikt. De stelknop is gemerkt van 1 (laagste snelheid) tot 6 (volle snelheid). Raadpleeg onderstaande tabel voor het aantal slagen per minuut in iedere stand van de stelknop.

| Cijfer op stelknop | Aantal slagen per minuut (min ⁻¹) |
|--------------------|---|
| 6 | 1.800 |
| 5 | 1.750 |
| 4 | 1.650 |
| 3 | 1.500 |
| 2 | 1.300 |
| 1 | 1.000 |

011264

⚠ LET OP:

- U kunt de stelknop voor de snelheid alleen tot aan het cijfer 6 draaien en terug naar 1. Forceer de regelaar niet voorbij de 6 of de 1 omdat de snelheidsregeling daardoor defect kan raken.
- Het aantal slagen per minuut varieert met de toestand van de accu en messenbladen.

BEDIENING

⚠ LET OP:

- Wees voorzichtig niet per ongeluk een metalen afrastering of andere harde voorwerpen te raken tijdens het snoeien. De messenbladen zullen breken en kunnen ernstig letsel veroorzaken.
- Het is bijzonder gevaarlijk met de heggenschaar te ver te reiken, met name op een ladder. Werk niet vanuit een wankele of instabiele stand (zie **afb. 7**).

Probeer geen takken dikker dan 10 mm diameter te snoeien met deze heggenschaar. Deze dienen eerst met een snoeischaar te worden teruggeknipt tot de juiste snoeihoogte.

LET OP:

- Snoei niet in dode bomen of andere harde voorwerpen. Als u zich hier niet aan houdt, kan het gereedschap worden beschadigd (**zie afb. 8**).

Druk met beide handen de aan-uitschakelaars A en B in, houdt de heggenschaar vóór uw lichaam en snoei vervolgens van beneden naar boven (**zie afb. 9**).

Als standaardmethode houdt u de messenbladen gekanteld in de snoeirichting en beweegt u ze rustig en langzaam met een snelheid van 3 of 4 seconden per meter (**zie afb. 10**).

Om de bovenkant van een heg gelijkmatig te snoeien, is het handig een touwtje op de gewenste hoogte te spannen en er langs te snoeien (**zie afb. 11**).

Door een snoeiafvalgeleider (los verkrijgbaar) op het gereedschap aan te brengen bij het recht snoeien van een heg, wordt voorkomen dat het snoeiafval wordt weggeworpen (**zie afb. 12**).

Draai het handvat voor een comfortabele bediening alvorens verder te werken. Raadpleeg de tekst onder "Draaistand van handvat".

Om de zijkant van een heg gelijkmatig te snoeien, is het handig van onder naar boven te snoeien (**zie afb. 13**). Snoei buxus en rododendron van onder naar boven voor een mooie, gladdere afwerking.

De snoeiafvalgeleider (los verkrijgbaar) aanbrengen en verwijderen

LET OP:

- Zorg er altijd voor dat het gereedschap is uitgeschakeld en de accu is verwijderd, voordat u de snoeiafvalgeleider aanbrengt of verwijderd.

OPMERKING:

- Draag bij het aanbrengen of verwijderen van de snoeiafvalgeleider altijd handschoenen zodat uw handen en gezicht niet rechtstreeks in aanraking komen met de messenbladen. Als u dat niet doet, kan dit leiden tot persoonlijk letsel.
- Haal altijd eerst de schede van de messenbladen af voordat u de snoeiafvalgeleider aanbrengt.
- De snoeiafvalgeleider vangt de gesnoeide blaadjes af en vergemakkelijkt het verzamelen van de vallende blaadjes. Deze kan aan beide kanten van het gereedschap worden bevestigd (**zie afb. 14**).

Duw de snoeiafvalgeleider op de messenbladen zodat de sleuven over de moeren op de messenbladen vallen. Let erop dat de snoeiafvalgeleider de takkenvanger aan de voorkant van de messenbladen niet raakt (**zie afb. 15**).

De snoeiafvalgeleider moet zodanig worden aangebracht dat de vergrendelingen ervan aangrijpen in de groeven in de messenbladen (**zie afb. 16**).

Om de snoeiafvalgeleider te verwijderen, drukt u aan beide zijden op de vergrendeling zodat deze loslaat (**zie afb. 17**).

LET OP:

- De schede kan niet om de messenbladen worden geschoven terwijl de snoeiafvalgeleider is aangebracht. Alvorens de heggenschaar mee te

nemen of op te bergen, verwijderd u de snoeiafvalgeleider en schuift u de schede om de messenbladen om te voorkomen dat deze bloot liggen.

OPMERKING:

- Controleer de snoeiafvalgeleider op correcte montage alvorens deze te gebruiken.
- Probeer de snoeiafvalgeleider nooit met grote kracht te verwijderen terwijl de vergrendelingen aangrijpen in de gleuven van de messenbladen. Bij gebruik van grote kracht kan de snoeiafvalgeleider worden beschadigd.

ONDERHOUD

LET OP:

- Zorg er altijd voor dat de machine is uitgeschakeld en de accu is verwijderd, voordat u een inspectie of onderhoud uitvoert.
- Gebruik nooit benzine, wasbenzine, thinner, alcohol, enz. Dit kan leiden tot verkleuren, vervormen of barsten.

Het gereedschap schoonmaken

Maak het gereedschap schoon door het stof eraf te vegen met een droge of met zeepwater bevochtigde doek.

Onderhoud van messenbladen

Smeer de messenbladen voor aanvang van de werkzaamheden en na ieder bedrijfsuur met machineolie of gelijkwaardig.

OPMERKING:

- Verwijder de snoeiafvalgeleider alvorens de messenbladen te smeren.

Verwijder na de werkzaamheden het vuil van beide zijden van de messenbladen met behulp van een staalborstel, veeg de messenbladen schoon met een doek, en breng voldoende olie met een lage viscositeit aan, zoals bijvoorbeeld machineolie, smeerolie uit een spuitbus, enz.

LET OP:

- Was de messenbladen niet met water. Als u dit toch doet, kunnen de messenbladen gaan roesten of het gereedschap worden beschadigd.

De messenbladen aanbrengen en verwijderen

LET OP:

- Zorg er altijd voor dat het gereedschap is uitgeschakeld en de accu is verwijderd, voordat u de messenbladen aanbrengt of verwijderd.
- Draag bij het aanbrengen of verwijderen van de messenbladen altijd handschoenen zonder de schede eraf te halen zodat uw handen en gezicht niet rechtstreeks in aanraking komen met de messenbladen. Als u dat niet doet, kan dit leiden tot persoonlijk letsel.

OPMERKING:

- Veeg het vet op het tandwiel en de kruk niet af. Als u dit toch doet, kan het gereedschap worden beschadigd.
- Voor de specifieke methode van het verwijderen en aanbrengen van messenbladen, leest u de achterkant van de verpakking van de los verkrijgbare messenbladen.

De messenbladen verwijderen

Draai het gereedschap ondersteboven en draai de vier schroeven los (zie afb. 18).

OPMERKING:

- Wees voorzichtig uw handen niet vuil te maken aan het vet in het tandwielhuis van de messenbladen.

Verwijder het deksel op de onderkant (zie afb. 19).

Verwijder de plaat (zie afb. 20).

Draai de kruk met behulp van een platkopschroevendraaier naar de hoek aangegeven in de afbeelding (zie afb. 21).

Verwijder de twee schroeven uit de messenbladen zodat de messenbladen uit het gereedschap verwijderd kunnen worden (zie afb. 22).

LET OP:

- Plaats het tandwiel terug in de oorspronkelijke stand waarin het werd aangebracht in het geval het per ongeluk eruit is gekomen.

De messenbladen aanbrengen

Bereid de 4 schroeven (voor het deksel op de onderkant), de 2 schroeven (voor de messenbladen), de plaat, het deksel op de onderkant en de nieuwe messenbladen voor.

Draai de kruk naar de stand zoals aangegeven in de afbeelding. Breng vet aan, dat bij de nieuwe messenbladen werd geleverd, rondom de kruk (zie afb. 23).

Leg het ovale gat in het bovenste messenblad over het gat in het onderste messenblad (zie afb. 24).

Haal de schede van de oude messenbladen af en schuif hem op de nieuwe messenbladen om veiliger te werken tijdens het vervangen van de messenbladen (zie afb. 25).

Plaats de nieuwe messenbladen in het gereedschap zodat de ovale gaten in de messenbladen over de kruk passen. Laat de gaten in de messenbladen samenvallen met de schroefgaten in het gereedschap en zet ze daarna vast met de twee schroeven (zie afb. 26).

Controleer met een platkopschroevendraaier of de kruk soepel draait (zie afb. 27).

Monteer de plaat en het deksel op de onderkant van het gereedschap. Draai de schroeven stevig aan.

OPMERKING:

- Er is geen onderscheid tussen de boven- en onderkant van de plaat.

Haal de schede van de messenbladen af en schakel daarna het gereedschap in om te controleren of het goed werkt.

OPMERKING:

- Als de messenbladen niet goed werken, zijn ze niet goed op de kruk bevestigd. Voer de procedure vanaf het begin opnieuw uit.

De koolborstels vervangen (zie afb. 28)

Verwijder en controleer de koolborstels regelmatig. Vervang deze wanneer ze tot aan de slijtgrensmarkering zijn afgesleten. Houd de koolborstels schoon en zorg ervoor dat ze vrij kunnen bewegen in de houders. Beide koolborstels dienen tegelijkertijd te worden vervangen. Gebruik alleen identieke koolborstels (zie afb. 29).

Steek een platkopschroevendraaier in de inkeping in het gereedschap en verwijder de houderafdekking door deze omhoog te wippen (zie afb. 30).

Gebruik een platkopschroevendraaier om de koolborsteldoppen te verwijderen. Haal de versleten koolborstels eruit, plaats de nieuwe erin, en zet de koolborsteldoppen goed vast.

Plaats de houderafdekking terug op het gereedschap.

Opslag

Het gaatje in het deksel op de onderkant is handig om het gereedschap aan een spijker in de muur op te hangen (zie afb. 31).

Verwijder de accu en schuif de schede over de messenbladen zodat deze niet bloot liggen. Bewaar het gereedschap buiten bereik van kinderen. Bewaar het gereedschap op een plaats die niet is blootgesteld aan water of regen.

Om de VEILIGHEID en BETROUWBAARHEID van het gereedschap te handhaven, dienen alle reparaties, onderhoud en afstellingen te worden uitgevoerd door een erkend Makita-servicecentrum, en altijd met gebruikmaking van originele Makita-ervangingsonderdelen.

VERKRIJGBARE ACCESSOIRES

LET OP:

- Deze accessoires of hulpstukken worden aanbevolen voor gebruik met het Makita-gereedschap dat in deze gebruiksaanwijzing wordt beschreven. Het gebruik van andere accessoires of hulpstukken kan gevaar voor persoonlijk letsel opleveren. Gebruik de accessoires of hulpstukken uitsluitend voor de aangegeven gebruiksdoeleinden.

Mocht u meer informatie willen hebben over deze accessoires, dan kunt u contact opnemen met uw plaatselijke Makita-servicecentrum.

- Schede
- Messenbladen
- Originele Makita-accu en -lader
- Snoeiafvalgeleider

OPMERKING:

- Sommige items op de lijst kunnen zijn inbegrepen in de doos van het gereedschap als standaard toebehoren. Zij kunnen van land tot land verschillen.

ESPAÑOL (Instrucciones originales)

Explicación de los dibujos

- | | | |
|---|---|---|
| 1. Indicador rojo | 14. Incline las cuchillas | 27. Cubierta inferior |
| 2. Botón | 15. Pulse | 28. Placa |
| 3. Cartucho de la batería | 16. Receptor de virutas | 29. Cigüeñal |
| 4. Marca de estrella | 17. Tuerca | 30. Orificio oval de la cuchilla de corte |
| 5. Indicador de batería | 18. Cuchilla de corte | 31. Marca de límite |
| 6. Pomo | 19. Recogedor de ramas | 32. Cubierta de la tapa del portaherramientas |
| 7. Alojamiento | 20. Ganchos | 33. Destornillador de punta plana |
| 8. Interruptor disparador B | 21. Encaje los ganchos en la ranura | 34. Tapa del portaescobillas |
| 9. Interruptor disparador A | 22. Ranuras | |
| 10. Botón de desbloqueo | 23. Ejercer presión sobre las palancas en ambos lados | |
| 11. Dial de ajuste | 24. Desbloquee los ganchos | |
| 12. Dirección de corte | 25. Cubierta de la cuchilla | |
| 13. Superficie del seto que se desea cortar | 26. Tornillos | |

ESPECIFICACIONES

| | | |
|--|---------------|----------|
| Modelo | DUH551 | DUH651 |
| Longitud de la cuchilla | 550 mm | 650 mm |
| Carreras por minuto (min ⁻¹) | 1.000 - 1.800 | |
| Longitud total | 1.065 mm | 1.135 mm |
| Tensión nominal | 36 V CC | |
| Peso neto | 5,1 kg | 5,2 kg |

- Debido a nuestro programa continuo de investigación y desarrollo, las especificaciones aquí descritas están sujetas a cambios sin previo aviso.
- Las especificaciones y el cartucho de la batería pueden variar de un país a otro.
- Peso, con el cartucho de la batería, de acuerdo con el procedimiento EPTA 01/2003

| Ruido | Nivel de presión sonora | | Nivel de potencia sonora | | Directiva o estándar aplicable |
|--------|-------------------------|--------------------------|--------------------------|--------------------------|--------------------------------|
| | Modelo | L _{PA} (dB (A)) | Incertidumbre K (dB (A)) | L _{PA} (dB (A)) | |
| DUH551 | 81,5 | 2,1 | 91 | 1,5 | 2000/14/CE |
| DUH651 | 82 | 1,4 | 91,1 | 1,5 | |

- Utilice protección para los oídos.

| Vibración | Emisiones declaradas (m/s ²) | Incertidumbre K (m/s ²) | Directiva o estándar aplicable |
|---------------|--|-------------------------------------|--------------------------------|
| Modelo | | | |
| DUH551/DUH651 | ≤ 2,5 | 1,5 | EN60745 |

ENG901-1

- El valor de emisión de vibraciones se ha medido de acuerdo con el método de prueba estándar y se puede utilizar para comparar herramientas.
- El valor de emisión de vibraciones declarado también se puede usar en una evaluación preliminar de la exposición.

ADVERTENCIA:

- La emisión de vibraciones durante el uso de la herramienta eléctrica puede diferir del valor de emisiones declarado, dependiendo de las formas en que se utiliza la herramienta.
- Asegúrese de identificar las mediciones correctas para proteger al operario, que se basan en una estimación de la exposición en condiciones de uso reales (teniendo en cuenta todas las partes del ciclo de operaciones, como los momentos en los que la

herramienta está apagada y cuando funciona al ralentí además del tiempo en que está activado el interruptor).

Símbolo

END013-4

Se utilizan los siguientes símbolos para el equipo. Asegúrese de que comprende su significado antes del uso.



..... Lea el manual de instrucciones.



..... No lo exponga a la lluvia.



^{Cd}
^{Ni-MH}
^{Li-ion} Sólo para países de la Unión Europea
¡No deseche el aparato eléctrico o la batería junto con los residuos domésticos!
De conformidad con la Directiva

Europea sobre residuos de aparatos eléctricos y electrónicos, y sobre baterías y acumuladores y el desecho de baterías y acumuladores y su aplicación de acuerdo con la legislación nacional, la herramienta eléctrica y las baterías y paquetes de baterías cuya vida útil haya llegado a su fin se deberán recoger por separado y trasladar a una planta de reciclaje que cumpla con las exigencias ecológicas.

Uso previsto

ENE014-1

La herramienta está diseñada para cortar setos.

Solo para países europeos

ENH032-3

Declaración de conformidad de la CE
Nosotros, Makita Corporation, en calidad de fabricante responsable, declaramos que las siguientes máquinas Makita:

Designación de la máquina:

Cortasetos Inalámbrico

Nº de modelo/Tipo: DUH551, DUH651

Especificaciones: consulte la tabla

"ESPECIFICACIONES".

son de producción en serie y

Cumplen con las siguientes Directivas europeas:

2000/14/CE, 2006/42/CE

Y se han fabricado de acuerdo con los siguientes

estándares o documentos estandarizados:

EN60745

La documentación técnica la conserva:

Makita International Europe Ltd.

Technical Department,

Michigan Drive, Tongwell,

Milton Keynes, Bucks MK15 8JD, Inglaterra

El procedimiento de evaluación de conformidad requerido por la Directiva 2000/14/CE se realizó de acuerdo con el anexo V.

Modelo DUH551

Nivel de potencia sonora medido: 91,0 dB (A)

Nivel de potencia sonora garantizado: 93 dB (A)

Modelo DUH651

Nivel de potencia sonora medido: 91,1 dB (A)

Nivel de potencia sonora garantizado: 93 dB (A)

8. 8. 2013



Tomoyasu Kato

Director

Makita Corporation

3-11-8, Sumiyoshi-cho,

Anjo, Aichi, 446-8502, JAPAN

Advertencias de seguridad generales para herramientas eléctricas

GEA010-1

⚠ ADVERTENCIA Lea todas las advertencias de seguridad y todas las instrucciones. La no observancia

de las advertencias y las instrucciones puede provocar descargas eléctricas, incendios y/o lesiones graves.

Guarde todas las advertencias e instrucciones para futuras consultas.

ADVERTENCIAS DE SEGURIDAD DEL CORTASETOS INALÁMBRICO

GEB062-5

- Mantenga todas las partes del cuerpo alejadas de la cuchilla. No retire material cortado ni sujete el material que desea cortar cuando las cuchillas estén en movimiento. Asegúrese de que el interruptor esté apagado cuando despeje material atascado.** Un momento de distracción mientras maneja el cortasetos puede dar como resultado daños corporales graves.
- Transporte el cortasetos por el asa con la cuchilla detenida. Cuando transporte o almacene el cortasetos, siempre debe colocar la cubierta del dispositivo de corte.** Un manejo correcto del cortasetos reducirá la posibilidad de lesiones personales causadas por las cuchillas.
- Sujete la herramienta eléctrica solamente por las superficies de agarre aisladas, ya que la cuchilla puede entrar en contacto con cables ocultos.** Si entra en contacto con un cable con corriente, puede que las piezas metálicas expuestas de la herramienta eléctrica se carguen también de corriente y que el operario reciba una descarga.
- No utilice el cortasetos bajo la lluvia, donde haya agua o en condiciones de mucha humedad. El motor eléctrico no es a prueba de agua.
- Un usuario con experiencia en el uso del cortasetos debe mostrar a los usuarios noveles cómo utilizarlo.
- El cortasetos no debe ser utilizado por niños ni jóvenes menores de 18 años. Los jóvenes mayores de 16 años pueden quedar excluidos de esta restricción si reciben formación bajo la supervisión de un experto.
- Utilice el cortasetos solamente si se encuentra en buen estado físico. Si está cansado, su atención se verá reducida. Tenga especial cuidado al final de un día de trabajo. Realice todo el trabajo con calma y con cuidado. El usuario es responsable de todos los daños a terceros.
- No utilice nunca el cortasetos bajo la influencia de alcohol, drogas o medicamentos.
- Los guantes de trabajo de piel gruesa son parte del equipo básico del cortasetos y siempre deben utilizarse cuando se trabaje con el mismo. Utilice también calzado robusto con suelas antideslizamiento.
- Antes de empezar a trabajar, asegúrese de que el cortasetos esté en un estado de trabajo correcto y seguro. Asegúrese de que las protecciones se monten correctamente. No debe utilizarse el cortasetos si no está completamente ensamblado.
- Asegúrese de que mantiene una posición bien equilibrada antes de iniciar la operación.
- Sujete la herramienta firmemente cuando la utilice.

13. No utilice la herramienta en vacío innecesariamente.
14. Apague inmediatamente el motor y extraiga el cartucho de la batería si la cuchilla entra en contacto con una valla u otro objeto duro. Compruebe si hay daños en la cuchilla y, si está dañada, repárela inmediatamente.
15. Antes de comprobar la cuchilla, arreglar desperfectos o retirar material atrapado en la cuchilla, siempre debe apagar el cortasetos y extraer el cartucho de la batería.
16. Apague el cortasetos y retire el cartucho de la batería antes de realizar cualquier trabajo de mantenimiento.
17. Cuando mueva el cortasetos a otra ubicación, incluso durante el trabajo, extraiga siempre el cartucho de la batería y coloque la cubierta de la cuchilla sobre las cuchillas de corte. Nunca transporte el cortasetos con la cuchilla en funcionamiento. Nunca sujete la cuchilla con sus manos.
18. Limpie el cortasetos y especialmente la cuchilla tras su uso y antes de almacenar el cortasetos durante largos períodos de tiempo. Engrase ligeramente la cuchilla y coloque la cubierta. La cubierta proporcionada con la unidad se puede colgar en la pared, lo que resulta una forma práctica y segura de almacenar el cortasetos.
19. Guarde el cortasetos con la cubierta puesta, en una habitación seca. Manténgalo fuera del alcance de los niños. Nunca guarde el cortasetos a la intemperie.

GUARDE ESTAS INSTRUCCIONES.

⚠ ADVERTENCIA:

NO deje que la comodidad o la familiaridad con el producto (a base de utilizarlo repetidamente) sustituya la estricta observancia de las normas de seguridad del producto en cuestión. El **MAL USO** o la no observancia de las normas de seguridad expuestas en este manual de instrucciones pueden ocasionar graves daños corporales.

INSTRUCCIONES DE SEGURIDAD IMPORTANTES

ENC007-8

PARA EL CARTUCHO DE LA BATERÍA

1. **Antes de utilizar el cartucho de la batería, lea todas las instrucciones y referencias de precaución que se encuentran en (1) el cargador de baterías, (2) la batería y (3) el producto que utiliza la batería.**
2. **No desmonte el cartucho de la batería.**
3. **Si el tiempo de funcionamiento es excesivamente corto, deje de utilizar la herramienta de inmediato. De lo contrario, existe el riesgo de sobrecalentamiento, quemaduras e incluso explosión.**
4. **Si se produce contacto ocular con electrolito, enjuáguese los ojos con agua limpia y acuda de urgencia al médico. Corre el riesgo de perder la visión.**
5. **No cortocircuite el cartucho de la batería:**

- (1) **No toque los terminales con material conductor.**
- (2) **Evite guardar el cartucho de la batería en un recipiente con otros objetos metálicos, como clavos, monedas, etc.**
- (3) **No exponga el cartucho de la batería al agua o a la lluvia.**

Un cortocircuito puede provocar un elevado flujo de corriente, sobrecalentamiento, quemaduras o incluso una avería.

6. **No almacene la herramienta ni el cartucho de la batería en lugares donde la temperatura supere los 50°C (122°F).**
7. **No queme el cartucho de la batería aunque esté gravemente dañado o completamente gastado. El cartucho de la batería puede explotar si entra en contacto con fuego.**
8. **Procure que la batería no sufra golpes ni caídas.**
9. **No utilice una batería dañada.**
10. **Siga las normativas locales relativas al desecho de la batería.**

GUARDE ESTAS INSTRUCCIONES.

Consejos para conseguir una mayor duración de la batería

1. **Cargue la batería antes de que se descargue por completo.**
Cuando observe que la herramienta tiene menos potencia, deje de utilizarla y cargue el cartucho de la batería.
2. **No recargue nunca un cartucho de batería completamente cargado.**
La sobrecarga acorta la vida útil de la batería.
3. **Cargue el cartucho de la batería a una temperatura ambiente que oscile entre 10°C y 40°C (50°F - 104°F).** Antes de cargar un cartucho de batería caliente, deje que se enfríe.
4. **Cargue la batería una vez cada seis meses si no la utiliza durante un período de tiempo prolongado.**

DESCRIPCIÓN DEL FUNCIONAMIENTO

⚠ PRECAUCIÓN:

- Antes de ajustar o comprobar la herramienta, asegúrese siempre de que está apagada y de que la batería ha sido extraída.

Instalación o extracción del cartucho de la batería (Fig. 1)

⚠ PRECAUCIÓN:

- Apague siempre la herramienta antes de instalar o extraer el cartucho de la batería.
- **Sujete la herramienta y el cartucho de la batería firmemente cuando instale o extraiga el cartucho de la batería.** Si no sujeta la herramienta y el cartucho de la batería firmemente, pueden resbalar de sus manos y pueden producirse daños en la herramienta o el cartucho de la batería, así como lesiones personales.

Para quitar el cartucho de la batería, mantenga pulsado el botón de la parte frontal del cartucho y retírelo.

Para instalar el cartucho de la batería, alinee la lengüeta situada en el cartucho de la batería con la ranura del alojamiento e insértelo. Insértelo completamente hasta que quede firmemente encajado con un clic. Si puede ver el indicador rojo de la zona superior del botón, significa que el cartucho no está encajado completamente.

⚠ PRECAUCIÓN:

- Instale siempre completamente el cartucho de la batería de forma que el indicador rojo quede oculto. De lo contrario, el cartucho puede desprenderse accidentalmente de la herramienta y causar lesiones al operario o a alguna persona que se encuentre cerca.
- No presione excesivamente el cartucho de la batería para instalarlo. Si el cartucho no entra con suavidad, significa que no lo está instalando correctamente.

NOTA:

- La herramienta no funciona con un cartucho de la batería solamente.

Sistema de protección de la herramienta/batería

La herramienta está equipada con un sistema de protección de la herramienta/batería. Este sistema corta automáticamente la alimentación al motor para ampliar la duración de la herramienta y la batería.

El funcionamiento de la herramienta se detendrá automáticamente si la herramienta o la batería están sometidas a las siguientes condiciones: En algunas condiciones, los indicadores se encienden.

Protección contra la sobrecarga

Cuando la herramienta se utilice de una forma que haga que consuma una cantidad anormalmente alta de corriente, la herramienta se detendrá automáticamente sin indicaciones. En ese caso, apague la herramienta y detenga la aplicación que hizo que la herramienta se sobrecargara. A continuación, encienda la herramienta para reiniciar las operaciones.

Protección contra el sobrecalentamiento de la herramienta/batería

Si la herramienta/batería se sobrecalienta, la herramienta se detiene automáticamente sin indicaciones. La herramienta no se enciende aunque se pulse el interruptor disparador. En ese caso, deje que la herramienta/batería se enfríe antes de volver a encenderla.

NOTA:

La protección contra el sobrecalentamiento de la batería solamente funciona con un cartucho de batería que tenga una marca de estrella. (Fig. 2)

Protección contra exceso de descarga (Fig. 3)

Cuando la capacidad restante de la batería es baja, el indicador de la batería parpadea en el lado de la batería aplicable. Si se continúa con el uso, la herramienta se detiene y el indicador de la batería se enciende unos

10 segundos. En ese caso, cargue el cartucho de la batería.

Posiciones de montaje del asidero

⚠ PRECAUCIÓN:

- Asegúrese siempre de que el asidero esté bloqueado en la posición deseada antes de utilizar la herramienta. (Fig. 4)

Dependiendo de las operaciones, puede ajustar el ángulo del asidero en una posición de 45° o 90° hacia la izquierda o la derecha. Para girar el asidero, tire del pomo y gire el asidero tal y como se muestra en la figura. El asidero se bloqueará en una posición de 45°. Para girar el asidero a la posición de 90°, vuelva a tirar del pomo y gire más el asidero.

Acción del interruptor

⚠ PRECAUCIÓN:

- Antes de insertar el cartucho de la batería en la herramienta, asegúrese siempre de que el interruptor disparador funciona como es debido y que vuelve a la posición "OFF" (apagado) al soltarlo. (Fig. 5)

Por su seguridad, esta herramienta está equipada con un sistema dual de interruptores. Para encender la herramienta, pulse el botón de desbloqueo y el interruptor disparador A y B. Para desactivar el interruptor, suelte uno de los interruptores disparadores. La herramienta solo se pondrá en marcha cuando tire de ambos interruptores disparadores.

Cambio de velocidad (Fig. 6)

El número de golpes por minuto puede ajustarse girando el dial de ajuste. Se puede hacer incluso mientras la herramienta está funcionando. El dial está marcado del 1 (velocidad mínima) al 6 (velocidad máxima).

Consulte la siguiente tabla para obtener información sobre la relación entre los números del dial y el número de golpes por minuto.

| Número del dial de ajuste | Carreras por minuto (min ⁻¹) |
|---------------------------|--|
| 6 | 1.800 |
| 5 | 1.750 |
| 4 | 1.650 |
| 3 | 1.500 |
| 2 | 1.300 |
| 1 | 1.000 |

011264

⚠ PRECAUCIÓN:

- El dial de ajuste de la velocidad puede girarse hasta 6 y de vuelta hasta 1 solamente. No lo fuerce más allá de 6 ó 1, o la función de ajuste de velocidad podrá dejar de funcionar.
- Los golpes por minuto pueden variar de acuerdo con las condiciones del cartucho de la batería y de las cuchillas de corte.

FUNCIONAMIENTO

⚠ PRECAUCIÓN:

- Tenga cuidado de no entrar en contacto accidentalmente con una valla metálica u otros objetos

duros mientras corta. La cuchilla puede romperse y causar lesiones graves.

- Intentar llegar demasiado lejos con un cortasetos, especialmente desde una escalera, es extremadamente peligroso. No trabaje desde ninguna superficie que se tambalee o no sea firme. (Fig. 7)

No intente cortar ramas de un grosor superior a 10 mm de diámetro con este cortasetos. Primero deben cortarse con cizallas hasta el nivel de corte de setos.

PRECAUCIÓN:

- No corte árboles muertos u objetos duros similares. De lo contrario, podría dañar la herramienta. (Fig. 8)

Sujete el cortasetos con ambas manos, tire de los interruptores disparadores A y B y después muévelo por delante de su cuerpo. (Fig. 9)

Como operación de manejo básica, incline las cuchillas en la dirección de corte y mueva el cortasetos tranquilamente y suavemente a una velocidad de 3 - 4 segundos por metro. (Fig. 10)

Para cortar de forma uniforme la parte superior de un seto, resulta de ayuda atar una cuerda a la altura deseada del seto y cortar a lo largo de ella, usándola como referencia. (Fig. 11)

Si se acopla el receptor de virutas (accesorio opcional) en la herramienta cuando se corta el seto de forma recta, se puede evitar que las hojas salgan despedidas. (Fig. 12)

Gire el asidero para facilitar el manejo antes de la operación. Consulte la sección con el título "Posiciones de montaje del asidero".

Para cortar el lateral de un seto de forma uniforme, resulta útil cortar desde la parte inferior hacia arriba. (Fig. 13)

Corte madera de boj o rododendro desde la base hacia la parte superior para lograr un aspecto atractivo y un buen trabajo.

Instalación o extracción del receptor de virutas (accesorio opcional)

PRECAUCIÓN:

- Asegúrese siempre de que la herramienta esté apagada y de que se haya extraído el cartucho de la batería antes de instalar o extraer el receptor de virutas.

NOTA:

- Siempre que reemplace el receptor de virutas, utilice guantes para que las manos y la cara no entren en contacto con la cuchilla. De lo contrario, puede sufrir lesiones personales.
- Asegúrese siempre de que se haya retirado la cubierta de la cuchilla antes de instalar el receptor de virutas.
- El receptor de virutas recibe hojas cortadas y ayuda a recoger las hojas que salen despedidas. Puede instalarse en cualquier lado de la herramienta. (Fig. 14)

Ejercer presión sobre el receptor de virutas en las cuchillas de forma que sus hendiduras se solapen con las tuercas de las cuchillas. A continuación, asegúrese de que el receptor de virutas no entre en contacto con el recogedor de ramas en la parte superior de las cuchillas. (Fig. 15)

A continuación, el receptor de virutas debe instalarse de forma que sus ganchos encajen en las ranuras de la unidad de la cuchilla. (Fig. 16)

Para extraer el receptor de virutas, pulse su palanca en ambos lados de forma que los ganchos estén desbloqueados. (Fig. 17)

PRECAUCIÓN:

- La cubierta de la cuchilla no se puede instalar en la herramienta con el receptor de virutas instalado. Antes de transportar o almacenar la herramienta, desinstale el receptor de virutas e instale la cubierta de la cuchilla para evitar la exposición de la cuchilla.

NOTA:

- Compruebe si el receptor de virutas está correctamente instalado antes de su uso.
- Nunca intente desinstalar el receptor de virutas aplicando una fuerza excesiva sobre sus ganchos bloqueados en las ranuras de la unidad de la cuchilla. El uso de una fuerza excesiva puede dañarlo.

MANTENIMIENTO

PRECAUCIÓN:

- Asegúrese de apagar siempre la herramienta y extraer el cartucho de la batería antes de intentar realizar cualquier trabajo de inspección o mantenimiento en ella.
- Nunca utilice gasolina, benceno, disolvente, alcohol o un producto similar. Se puede provocar una decoloración, una deformación o grietas.

Limpieza de la herramienta

Limpie la herramienta eliminando la suciedad con un trapo húmedo o empapado en jabón.

Mantenimiento de la cuchilla

Engrase la cuchilla antes de su uso, y una vez por hora durante su uso, con aceite para máquina o un producto similar.

NOTA:

- Antes de engrasar la cuchilla, extraiga el receptor de virutas.

Tras su uso, elimine la suciedad de ambos lados de la cuchilla con un cepillo de alambre, límpiela con un trapo y después aplique suficiente aceite de baja viscosidad, como aceite para máquina, etc. y aceite lubricante en aerosol.

PRECAUCIÓN:

- No limpie las cuchillas con agua. En caso contrario se pueden provocar daños o herrumbre en la herramienta.

Extracción o instalación de la cuchilla de corte

PRECAUCIÓN:

- Antes de extraer o instalar la cuchilla de corte, asegúrese siempre de que la herramienta esté apagada y que se haya extraído el cartucho de la batería.
- Siempre que reemplace la cuchilla de corte, póngase guantes sin extraer la cubierta de la cuchilla para que

las manos y la cara no entren en contacto con la cuchilla. De lo contrario, puede sufrir lesiones personales.

NOTA:

- No limpie la grasa de los engranajes o del cigüeñal. De lo contrario, podría dañar la herramienta.
- Para obtener instrucciones para extraer e instalar las cuchillas consulte la parte posterior de un paquete de accesorios de cuchillas de corte.

Extracción de las cuchillas de corte

Dé la vuelta a la herramienta y afloje cuatro tornillos.

(Fig. 18)

NOTA:

- Tenga cuidado de no ensuciarse las manos cuando aplique grasa en el área de empuje de la cuchilla de corte.

Extraiga la cubierta inferior. (Fig. 19)

Extraiga la placa. (Fig. 20)

Ajuste el cigüeñal en el ángulo que se muestra en la figura con un destornillador de punta plana. (Fig. 21)

Extraiga dos tornillos de las cuchillas y podrá extraer la unidad de la cuchilla. (Fig. 22)

⚠ PRECAUCIÓN:

- Devuelva el engranaje a la posición original, de la misma forma en que estaba instalado, si se ha extraído por error.

Instalación de las cuchillas de corte

Prepare los 4 tornillos extraídos (para la cubierta inferior), 2 tornillos (para la cuchilla de corte), la placa, la cubierta inferior y nuevas cuchillas.

Ajuste la posición del cigüeñal como se muestra en la figura. A continuación, aplique parte de la grasa proporcionada con las nuevas cuchillas a la periferia del cigüeñal. (Fig. 23)

Solape el orificio oval de la cuchilla superior con el de la inferior. (Fig. 24)

Retire la cubierta de la cuchilla de las cuchillas antiguas y encájela en las nuevas para facilitar la sustitución de las cuchillas. (Fig. 25)

Coloque las nuevas cuchillas en la herramienta de forma que los orificios ovales de las cuchillas encajen en el cigüeñal. Solape los orificios de las cuchillas con los orificios para tornillos de la herramienta y, a continuación, fíjelos con dos tornillos. (Fig. 26)

Compruebe si el cigüeñal gira suavemente con un destornillador de punta plana. (Fig. 27)

Instale la placa y la cubierta inferior en la herramienta. Apriete firmemente el tornillo.

NOTA:

- No hay ninguna diferencia entre la parte superior e inferior de la placa.

Extraiga la cubierta de la cuchilla y, a continuación, encienda la herramienta para comprobar si se mueve correctamente.

NOTA:

- Si las cuchillas no funcionan correctamente, el contacto entre las cuchillas y el cigüeñal es incorrecto. Vuelva a empezar desde el principio.

Reemplazo de las escobillas de carbón (Fig. 28)

Extraiga y compruebe periódicamente las escobillas de carbón. Cámbielas cuando el desgaste alcance la marca de límite. Mantenga las escobillas de carbón limpias y de forma que entren libremente en el portaescobillas. Ambas escobillas de carbón deberán ser sustituidas al mismo tiempo. Utilice únicamente escobillas de carbón idénticas.

(Fig. 29)

Inserte el extremo superior del destornillador de punta plana en la muesca de la herramienta y extraiga la cubierta de la tapa del portaherramientas tirando hacia arriba de ella. (Fig. 30)

Utilice un destornillador de punta plana para extraer las tapas del portaescobillas. Extraiga las escobillas de carbón gastadas, inserte las nuevas y vuelva a fijar las tapas del portaescobillas.

Vuelva a colocar la cubierta de la tapa del portaherramientas en la herramienta.

Almacenamiento

El orificio para el gancho de la parte inferior de la cubierta de la cuchilla es útil para colgar la herramienta de un clavo o un tornillo en la pared. (Fig. 31)

Extraiga el cartucho de la batería y coloque la cubierta de la cuchilla en las cuchillas para que no queden expuestas. Guarde la herramienta con cuidado fuera del alcance de los niños.

Guarde la herramienta en un lugar que no esté expuesto al agua y la lluvia.

Para mantener la SEGURIDAD y la FIABILIDAD del producto, las reparaciones y cualquier otra tarea de mantenimiento o ajuste deberán ser realizadas en centros de servicio autorizados por Makita, utilizando siempre repuestos Makita.

ACCESORIOS OPCIONALES

⚠ PRECAUCIÓN:

- Se recomienda el uso de estos accesorios o complementos con la herramienta Makita especificada en este manual. El uso de otros accesorios o complementos puede conllevar el riesgo de ocasionar daños corporales. Utilice los accesorios o complementos solamente para su fin establecido.

Si necesita cualquier ayuda para obtener más información relativa a estos accesorios, pregunte a su centro de servicio Makita local.

- Cubierta de la cuchilla
- Ensamblado de cuchilla de corte
- Batería y cargador originales de Makita
- Receptor de virutas

NOTA:

- Algunos elementos de la lista se pueden incluir en el paquete de la herramienta como accesorios estándar. Pueden ser diferentes de un país a otro.

PORTUGUÊS (Instruções de origem)

Descrição geral

- | | | |
|-------------------------|--|---|
| 1. Indicador vermelho | 13. Superfície da sebe a aparar | 24. Desbloqueie os ganchos |
| 2. Botão | 14. Incline as lâminas | 25. Cobertura da lâmina |
| 3. Bateria | 15. Prima | 26. Parafusos |
| 4. Marca de estrela | 16. Apanha- aparas | 27. Tampa de baixo |
| 5. Indicador da bateria | 17. Porca | 28. Placa |
| 6. Manípulo | 18. Lâmina da tesoura | 29. Manivela |
| 7. Compartimento | 19. Dispositivo receptor de ramos | 30. Orifício oval da lâmina da tesoura |
| 8. Gatilho B | 20. Ganchos | 31. Marca limite |
| 9. Gatilho A | 21. Instale os ganchos na ranhura | 32. Cobertura da tampa do porta-escovas |
| 10. Botão de bloqueio | 22. Ranhuras | 33. Chave de fendas |
| 11. Manípulo de ajuste | 23. Pressione as alavancas em ambos os lados | 34. Tampa do porta-escovas |

ESPECIFICAÇÕES

| | | |
|--|---------------|----------|
| Modelo | DUH551 | DUH651 |
| Comprimento da lâmina | 550 mm | 650 mm |
| Cortes por minuto (min ⁻¹) | 1.000 - 1.800 | |
| Comprimento total | 1.065 mm | 1.135 mm |
| Tensão nominal | C.C.36V | |
| Peso líquido | 5,1 kg | 5,2 kg |

- Devido à pesquisa e desenvolvimento constantes, estas especificações estão sujeitas a alteração sem aviso prévio.
- As especificações e o cartucho da bateria podem ser diferentes consoante o país.
- Peso, com a bateria, de acordo com o procedimento EPTA de 01/2003

| Ruído | Nível de pressão sonora | | Nível de potência sonora | | Norma ou directiva aplicável | |
|-------|-------------------------|--------------------------|--------------------------|--------------------------|------------------------------|----------------------|
| | Modelo | L _{PA} (dB (A)) | Incerteza K (dB (A)) | L _{PA} (dB (A)) | | Incerteza K (dB (A)) |
| | DUH551 | 81,5 | 2,1 | 91 | 1,5 | 2000/14/EC |
| | DUH651 | 82 | 1,4 | 91,1 | 1,5 | |

- Use protecção ocular.

| Vibração | Modelo | Emissão declarada (m/s ²) | Incerteza K (m/s ²) | Norma ou directiva aplicável |
|----------|---------------|---------------------------------------|---------------------------------|------------------------------|
| | | | | |
| | DUH551/DUH651 | ≤ 2,5 | 1,5 | EN60745 |

ENG901-1

- O valor da emissão de vibração declarado foi medido de acordo com o método de teste padrão e pode ser utilizado para comparar uma ferramenta com outra.
- O valor da emissão de vibração declarado pode também ser utilizado numa avaliação preliminar de exposição.

⚠ AVISO:

- A emissão de vibração durante a utilização real da ferramenta eléctrica pode ser diferente do valor de emissão declarado, dependendo da forma como a ferramenta é utilizada.
- Certifique-se de que identifica medidas de segurança, para proteger o operador, que são baseadas numa estimativa de exposição nas condições reais de utilização (tendo em conta todas as partes do ciclo de funcionamento, como as vezes que a ferramenta é desligada e quando está a trabalhar ao ralenti, além do tempo de utilização).

END013-4

Símbolo

Descrição dos símbolos utilizados no equipamento. Certifique-se de que compreende os seus significados, antes da utilização.



..... Leia o manual de instruções.



..... Não exponha a extensão à chuva.



Cd
Ni-MH
Li-Ion

..... Apenas para países da UE
Não deite equipamentos eléctricos ou a bateria no lixo doméstico!
De acordo com as directivas europeias sobre ferramentas eléctricas e electrónicas usadas e baterias, acumuladores e baterias usadas e a sua aplicação para as leis nacionais, as ferramentas eléctricas, as baterias e conjuntos usados devem ser

recolhidos em separado e encaminhados a uma instalação de reciclagem dos materiais ecológicos.

AVISOS DE SEGURANÇA DO APARADOR DE CERCA VIVA A BATERIA

GEB062-5

Utilização prevista

ENE014-1

A ferramenta destina-se a aparar sebes.

Apenas para países europeus Declaração de conformidade CE

ENH032-3

Nós, a Makita Corporation, como fabricante responsável, declaramos que a(s) máquina(s) Makita seguinte(s):

Designação da máquina:

Aparador De Cerca Viva a Bateria

Nº/Tipo de modelo: DUH551, DUH651

Especificações: consulte a tabela "ESPECIFICAÇÕES".

são de produção em série e

Estão em conformidade com as directivas europeias seguintes:

2000/14/EC, 2006/42/EC

E são fabricadas de acordo com as normas e documentos padronizados seguintes:

EN60745

A documentação técnica é mantida por:

Makita International Europe Ltd.

Technical Department,

Michigan Drive, Tongwell,

Milton Keynes, Bucks MK15 8JD, Inglaterra

O procedimento de avaliação da conformidade requisitado pela Directiva 2000/14/EC estava em conformidade com o anexo V.

Modelo DUH551

Nível de potência sonora medida: 91,0 dB (A)

Nível de potência sonora garantida: 93 dB (A)

Modelo DUH651

Nível de potência sonora medida: 91,1 dB (A)

Nível de potência sonora garantida: 93 dB (A)

8. 8. 2013



Tomoyasu Kato

Director

Makita Corporation

3-11-8, Sumiyoshi-cho,

Anjo, Aichi, 446-8502, JAPAN

Avisos gerais de segurança para ferramentas eléctricas

GEA010-1

⚠ AVISO Leia todos os avisos de segurança e todas as instruções. O não cumprimento dos avisos e instruções pode resultar na ocorrência de choques eléctricos, incêndios e/ou ferimentos graves.

Guarde todos os avisos e instruções para referência futura.

1. **Mantenha todas as partes do corpo longe da lâmina cortante. Não retire material de corte nem pegue no material a cortar quando as lâminas estiverem em funcionamento. Certifique-se de que o interruptor está desligado quando retirar o material encravado.** Um momento de desatenção enquanto utilizar o aparador de cerca viva poderá resultar em ferimentos pessoais graves.
2. **Transporte o aparador de cerca viva pela pega com a lâmina cortante parada. Ao transportar ou armazenar o aparador de cerca viva, instale sempre a tampa do dispositivo de corte.** Um manuseamento adequado do aparador de cerca viva reduzirá possíveis ferimentos pessoais provocados pelas lâminas cortantes.
3. **Apenas segure na ferramenta eléctrica pelas superfícies de pega isoladas, uma vez que a lâmina de corte pode tocar em cabos eléctricos escondidos.** As lâminas de corte em contacto com um fio eléctrico ligado à corrente podem electrificar as peças de metal da ferramenta e provocar um choque.
4. Não utilize o aparador de cerca viva na chuva ou em condições molhadas ou muito húmidas. O motor eléctrico não é à prova de água.
5. As pessoas que estejam a utilizar este aparelho pela primeira vez devem pedir a um aparador de cerca viva com experiência para lhes mostrar como usar o aparador.
6. O aparador de cerca viva não deve ser utilizado por crianças ou jovens com menos de 18 anos. Os jovens com mais de 16 anos podem estar isentos desta restrição se estiverem a receber formação sob a supervisão de um perito.
7. Use o aparador de cerca viva apenas se estiver em boas condições físicas. Se estiver cansado, a sua atenção será reduzida. Tenha especial atenção no fim de um dia de trabalho. Efectue todos os trabalhos com calma e cuidado. O utilizador é responsável por todos os danos a terceiros.
8. Nunca use o aparador sob a influência do álcool, drogas ou medicamentos.
9. Luvas de trabalho de pele fazem parte do equipamento básico do aparador de cerca viva e devem ser sempre usadas quando o operar. Use também sapatos resistentes com solas anti-derrapantes.
10. Antes de começar a trabalhar, certifique-se de que o aparador está em condições de funcionamento boas e seguras. Certifique-se de que as guardas estão devidamente instaladas. O aparador de cerca viva não deve ser usado a menos que esteja devidamente montado.
11. Certifique-se de que está bem equilibrado antes de iniciar a operação.
12. Mantenha a ferramenta segura quando usar a ferramenta.
13. Não utilize a ferramenta sem carga, sem ser necessário.
14. Desligue imediatamente o motor e retire a bateria se o cortador entrar em contacto com uma vedação ou

- outros objectos duros. Verifique a lâmina cortante e, se estiver danificada, repare-a imediatamente.
15. Antes de verificar a lâmina cortante, reparar avarias ou retirar material preso na lâmina, desligue sempre o aparador e retire a bateria.
 16. Desligue o aparador e retire a a bateria antes de efectuar qualquer trabalho de manutenção.
 17. Quando mover o aparador de cerca viva para outro local, incluindo durante o trabalho, retire sempre o cartucho da bateria e coloque a tampa da lâmina sobre as lâminas de corte. Nunca transporte o aparador com a lâmina de corte em funcionamento. Nunca agarre a lâmina cortante com as suas mãos.
 18. Limpe o aparador de cerca viva e especialmente a lâmina cortante após a utilização, e antes de colocar o aparador em armazenamento durante períodos alargados. Lubrifique ligeiramente a lâmina de corte e coloque a cobertura. A cobertura fornecida com a unidade pode ser pendurada na parede, fornecendo uma forma prática de guardar o aparador de cerca viva.
 19. Guarde o aparador de cerca viva com a cobertura colocada, num local seco. Mantenha-o fora do alcance de crianças. Nunca guarde o aparador no exterior.

GUARDE ESTAS INSTRUÇÕES.

⚠ AVISO:
NÃO deixe que o conforto ou familiaridade com o produto (obtida de uma utilização regular) substituam um cumprimento severo das regras de segurança do produto em causa. Uma **UTILIZAÇÃO INCORRECTA** ou não cumprimento das regras de segurança indicadas neste manual de instruções podem provocar ferimentos pessoais sérios.

INSTRUÇÕES DE SEGURANÇA IMPORTANTES

ENC007-8

RELATIVAS À BATERIA

1. Antes de utilizar a bateria, leia as instruções e chamadas de atenção de: (1) o carregador da bateria, (2) a bateria e (3) o produto que utiliza a bateria.
2. Não desmonte a bateria.
3. Se o tempo de utilização com a bateria se tornar demasiado curto, deve parar imediatamente. Se continuar, pode causar sobreaquecimento, incêndio e mesmo explosão.
4. Se o electrólito entrar em contacto com os olhos, enxágue-os com água limpa e consulte imediatamente um médico. Os riscos incluem perda de visão.
5. Não provoque um curto-circuito na bateria:
 - (1) Não deixe que quaisquer materiais condutores entrem em contacto com os terminais da bateria.
 - (2) Evite guardar a bateria juntamente com outros objectos de metal como pregos, moedas, etc.
 - (3) Não exponha a bateria a água ou chuva.

- Um curto-circuito na bateria pode criar uma grande carga eléctrica, sobreaquecimento, fogo e uma quebra da corrente.**
6. Não guarde a ferramenta e a bateria em locais onde a temperatura possa atingir ou exceder 50°C (122°F).
 7. Não incinere a bateria, nem mesmo se esta estiver irremediavelmente danificada ou completamente gasta. Pode explodir e causar um incêndio.
 8. Não a deixe cair e evite o choque com outros objectos.
 9. Não utilize uma bateria danificada.
 10. Siga os regulamentos locais relacionados com a eliminação da bateria.

GUARDE ESTAS INSTRUÇÕES.

Sugestões para o máximo de tempo de vida da bateria

1. Não espere que a bateria se gaste completamente para voltar a carregá-la. Pare a ferramenta e carregue a bateria sempre que detectar um baixo nível de energia.
2. Nunca volte a carregar uma bateria já completamente carregada. O carregamento excessivo diminui o tempo de vida das baterias.
3. Carregue a bateria em locais onde a temperatura se situe entre 10°C e 40°C (50°F - 104°F). Se a bateria estiver quente, deixe-a arrefecer antes de iniciar o carregamento.
4. Carregue a bateria uma vez a cada seis meses se não a utilizar durante um longo período.

DESCRIÇÃO DO FUNCIONAMENTO

⚠ PRECAUÇÃO:

- Certifique-se sempre de que a ferramenta está desligada e que a bateria foi removida antes de proceder a ajustes ou testar acessórios.

Inserir ou retirar a bateria (Fig. 1)

⚠ PRECAUÇÃO:

- Desligue sempre a ferramenta antes de instalar ou retirar a bateria.
- **Segure bem a ferramenta e a bateria ao instalar ou retirar a bateria.** Se não segurar bem a ferramenta e a bateria, pode fazer com que caiam das mãos e provoquem danos na ferramenta e na bateria e ferimentos pessoais.

Para retirar a bateria, mantenha premido o botão na frente da bateria e puxe.

Para colocar a bateria, alinhe a respectiva saliência com a ranhura do compartimento e encaixe-a suavemente. Insira-a completamente até fixar em posição com um clique. Se ainda estiver visível o indicador vermelho na parte superior do botão, não estará bem encaixado.

⚠ PRECAUÇÃO:

- Instale sempre a bateria completamente, até deixar de ver o indicador vermelho. Caso contrário, pode cair da

ferramenta e causar ferimentos em si, ou em alguém que esteja perto de si.

- Não instale a bateria forçosamente. Se não encaixar facilmente é porque não está correctamente posicionada.

NOTA:

- A ferramenta não funciona com apenas uma bateria.

Sistema de protecção da ferramenta/bateria

A ferramenta está equipada com um sistema de protecção da ferramenta/bateria. Este sistema corta automaticamente a alimentação para prolongar a vida útil da ferramenta e bateria.

A ferramenta pára automaticamente durante o funcionamento quando a ferramenta ou bateria são colocadas numa das condições seguintes. Em algumas condições, os indicadores acendem.

Protecção contra sobrecarga

Quando a ferramenta é utilizada de uma forma que faz com que consuma uma corrente invulgarmente alta, a ferramenta pára automaticamente sem quaisquer indicações. Nesta situação, desligue a ferramenta e pare a aplicação que causou a sobrecarga. De seguida, ligue a ferramenta para reiniciar.

Protecção contra sobreaquecimento para a ferramenta/bateria

Quando a ferramenta/bateria está sobreaquecida, a ferramenta pára automaticamente sem quaisquer indicações. A ferramenta não arranca mesmo se premir o gatilho. Nesta situação, deixe a ferramenta/bateria arrefecer antes de voltar a ligá-la.

NOTA:

A protecção contra o sobreaquecimento da bateria apenas funciona com uma bateria com uma marca de estrela. (Fig. 2)

Protecção contra sobredescarga (Fig. 3)

Quando o nível de carga restante da bateria fica fraco, o indicador de bateria pisca no lado da bateria aplicável. Ao continuar com a utilização, a ferramenta pára e o indicador da bateria acende durante cerca de 10 segundos. Nesta situação, carregue a bateria.

Posições de montagem da pega

⚠ PRECAUÇÃO:

- Certifique-se sempre de que a pega está bloqueada na posição pretendida, antes de utilizar. (Fig. 4)

Dependendo das operações, pode definir o ângulo da pega numa posição a 45° ou 90° para a esquerda ou direita. Para rodar a pega, puxe o manípulo e rode a pega, conforme mostrado na figura. A pega é bloqueada na posição de 45°. Para rodar a pega para 90°, puxe novamente o manípulo e rode mais a pega.

Ação do interruptor

⚠ PRECAUÇÃO:

- Antes de inserir a bateria na ferramenta, verifique se o gatilho está a funcionar correctamente e se regressa à posição "OFF" quando o solta. (Fig. 5)

Para sua segurança, esta ferramenta possui um sistema de ligação dupla. Para ligar a ferramenta, prima o botão de bloqueio e prima o gatilho A e B. Para desligar o interruptor, solte qualquer um dos gatilhos. A ferramenta só arranca ao premir ambos os gatilhos.

Alteração da velocidade (Fig. 6)

Os cortes por minuto podem ser ajustados rodando o manípulo de ajuste. Isto pode ser feito mesmo com a ferramenta em funcionamento. O manípulo está marcado de 1 (velocidade mínima) a 6 (velocidade máxima). Consulte a tabela em baixo para a verificar a relação entre a definição dos números no manípulo de ajuste e os cortes por minuto.

| Número no manípulo de ajuste | Cortes por minuto (min ⁻¹) |
|------------------------------|--|
| 6 | 1.800 |
| 5 | 1.750 |
| 4 | 1.650 |
| 3 | 1.500 |
| 2 | 1.300 |
| 1 | 1.000 |

011264

⚠ PRECAUÇÃO:

- O manípulo de ajuste da velocidade apenas pode ser rodado até 6 ou 1. Não o force para lá de 6 ou 1, caso contrário a função de regulação da velocidade poderá deixar de funcionar.
- Os cortes por minuto variam consoante as condições da bateria e das lâminas da tesoura.

FUNCIONAMENTO

⚠ PRECAUÇÃO:

- Tenha cuidado para não entrar em contacto, acidentalmente, com uma vedação de metal ou outros objectos duros ao aparar. A lâmina quebrará e poderá causar ferimentos graves.
- Estender-se com um aparador de cerca viva, especialmente de uma escada, é muito perigoso. Não trabalhe em cima de superfícies instáveis ou desequilibradas. (Fig. 7)

Não tente cortar ramos com um diâmetro superior a 10 mm com este aparador. Estas devem ser cortadas primeiro com tesouras para o nível de aparagem da sebe.

⚠ PRECAUÇÃO:

- Não corte árvores mortas ou objectos duros semelhantes. Caso contrário poderá danificar a ferramenta. (Fig. 8)

Segure o aparador com ambas as mãos e pressione o gatilho A ou B e, de seguida, mova-o para a frente do seu corpo. (Fig. 9)

Como operação básica, incline as lâminas para a direcção da aparagem e mova-as calma e lentamente a uma velocidade de 3 - 4 segundos por metro. (Fig. 10)

Para cortar o topo de uma sebe de igual forma, ajuda se atar um fio à altura da sebe desejada e se aparar ao longo dele, usando-o como linha de referência. **(Fig. 11)** Prender o apanha- aparas (acessório opcional) na ferramenta quando aparar a sebe a direito pode evitar que folhas cortadas sejam deitadas fora. **(Fig. 12)** Rode a pega para um manuseamento fácil antes da utilização. Consulte a secção intitulada "Posições de montagem da pega".

Para cortar um lado da sebe de forma igual, ajuda cortar do fundo para o topo. **(Fig. 13)** Apare o buxo e rododentro da base para o topo para um aspecto agradável e um bom trabalho.

Instalar ou remover o apanha- aparas (acessório opcional)

⚠️ PRECAUÇÃO:

- Certifique-se sempre de que a ferramenta está desligada e a bateria removida antes de instalar ou retirar o apanha- aparas.

NOTA:

- Ao substituir o apanha- aparas, use sempre luvas para que as mãos e face não entrem em contacto directo com a lâmina. Caso contrário, poderá causar ferimentos.
- Certifique-se de que retira a cobertura da lâmina antes de instalar o apanha- aparas.
- O apanha- aparas recebe as folhas cortadas e alivia a recolha das folhas deitadas fora. Pode ser instalado de qualquer dos lados. **(Fig. 14)**

Pressione o apanha- aparas para as lâminas da tesoura para que as suas fendas se sobreponham às porcas nas lâminas da tesoura. A esta altura, certifique-se de que o apanha- aparas não entra em contacto com o dispositivo receptor de ramos no topo das lâminas da tesoura. **(Fig. 15)**

NOTA:

A esta altura, o apanha- aparas precisa de ser instalado para que os seus ganchos encaixem nas ranhuras na unidade da lâmina da tesoura. **(Fig. 16)**

Para remover o apanha- aparas, pressione a sua alavanca em ambos os lados para que os ganchos sejam desbloqueados. **(Fig. 17)**

⚠️ PRECAUÇÃO:

- A cobertura da lâmina não pode ser instalada na ferramenta com o apanha- aparas a ser instalado. Antes de transportar ou armazenar, desinstale o apanha- aparas e instale a cobertura da lâmina para evitar a exposição da lâmina.

NOTA:

- Verifique o apanha- aparas para uma instalação segura antes da utilização.
- Nunca tente desinstalar o apanha- aparas através de força excessiva com os seus ganchos bloqueados nas ranhuras da unidade da lâmina. Se usar força excessiva poderá danificá-lo.

MANUTENÇÃO

⚠️ PRECAUÇÃO:

- Certifique-se sempre de que a ferramenta está desligada e a bateria removida antes de efectuar operações de inspecção ou de manutenção.

- Nunca utilize gasolina, benzina, diluente, álcool ou semelhante. Podem formar-se descolorações, deformações ou fissuras.

Limpar a ferramenta

Limpe a ferramenta retirando o pó com um pano seco ou embebido em sabão.

Manutenção da lâmina

Unte a lâmina antes e uma vez por hora durante a operação usando óleo da máquina ou semelhantes.

NOTA:

- Antes de untar a lâmina, retire o apanha- aparas. Depois do funcionamento, retire o pó de ambos os lados com uma escova de arame, limpe-a com um pano e depois aplique óleo de viscosidade baixa como óleo da máquina, etc. e óleo lubrificante do tipo spray.

⚠️ PRECAUÇÃO:

- Não lave as lâminas com água. Se o fizer, a ferramenta poderá ficar enferrujada ou danificada.

Remover ou instalar a lâmina da tesoura

⚠️ PRECAUÇÃO:

- Antes de retirar ou instalar a lâmina da tesoura, certifique-se sempre de que a ferramenta está desligada e a bateria removida.
- Ao substituir a lâmina da tesoura, use sempre luvas sem remover a cobertura da lâmina para que as mãos e face não entrem em contacto directo com a lâmina. Caso contrário, poderá causar ferimentos.

NOTA:

- Não limpe a gordura da engrenagem e da manivela. Caso contrário poderá danificar a ferramenta.
- Para uma forma específica de remover e instalar lâminas da tesoura, consulte o inverso de uma embalagem para lâminas da tesoura de acessório.

Remover as lâminas da tesoura

Inverta a ferramenta e desaperte quatro parafusos. **(Fig. 18)**

NOTA:

- Tenha cuidado para não sujar as suas mãos porque é aplicada gordura na área de condução da lâmina da tesoura.

Retire a tampa de baixo. **(Fig. 19)**

Remova a placa. **(Fig. 20)**

Defina a manivela no ângulo conforme ilustrado na figura com uma chave de fendas. **(Fig. 21)**

Retire dois parafusos das lâminas da tesoura e a unidade da lâmina da tesoura será retirada. **(Fig. 22)**

⚠️ PRECAUÇÃO:

- Reponha a engrenagem na posição inicial, tal como estava instalada, caso seja retirada por engano.

Instalar as lâminas da tesoura

Prepare 4 parafusos removidos (Para a tampa de baixo), 2 parafusos (Para a lâmina da tesoura), placa, tampa de baixo e novas lâminas da tesoura.

Ajuste a posição da manivela conforme ilustrado na figura. Neste ponto, aplique alguma gordura fornecida

com novas lâminas da tesoura para a periferia da manivela. (Fig. 23)

Sobreponha o orifício oval na lâmina superior ao da inferior. (Fig. 24)

Retire a cobertura da lâmina das lâminas da tesoura antigas e instale-a nas novas para um fácil manuseamento durante a substituição das lâminas. (Fig. 25)

Coloque as novas lâminas da tesoura na ferramenta para que os orifícios ovais nas lâminas da tesoura se instalem na manivela. Sobreponha os orifícios nas lâminas da tesoura com as roscas interiores na ferramenta e depois fixe-os com dois parafusos. (Fig. 26)

Verifique se a manivela roda bem com uma chave de fendas. (Fig. 27)

Instale a placa, tampa de baixo na ferramenta. Aperte o parafuso com força.

NOTA:

- Não há distinção entre a parte superior e inferior da placa.

Retire a cobertura da lâmina e depois ligue a ferramenta para verificar se funciona devidamente.

NOTA:

- Quando as lâminas da tesoura não funcionam devidamente, a instalação entre as lâminas e a manivela é fraca. Volte a fazer do início.

Substituir as escovas de carvão (Fig. 28)

Remova e verifique regularmente as escovas de carvão. Substitua-as quando o desgaste atingir a marca limite. Mantenha-as limpas para poderem deslizar no porta-escovas. Substitua as duas ao mesmo tempo. Utilize unicamente escovas de carvão idênticas. (Fig. 29)

Insira a ponta de uma chave de fendas no entalhe da ferramenta e retire a cobertura da tampa do porta-escovas, levantando-a. (Fig. 30)

Utilize uma chave de fendas para remover as tampas do porta-escovas. Retire as escovas usadas, coloque umas novas e fixe as tampas do porta-escovas.

Volte a instalar a cobertura da tampa do porta-escovas na ferramenta.

Armazenamento

O orifício do gancho no fundo da cobertura da lâmina é conveniente para pendurar a ferramenta num prego ou parafuso na parede. (Fig. 31)

Retire a bateria e coloque a cobertura da lâmina nas lâminas da tesoura para que as lâminas não fiquem expostas. Mantenha a ferramenta fora do alcance das crianças, com cuidado.

Guarde a ferramenta num local que não esteja exposto a água e chuva.

Para manter os níveis de SEGURANÇA e FIABILIDADE definidos para este produto, as reparações e os procedimentos de manutenção ou ajustes devem ser executados por centros de assistência Makita autorizados, utilizando sempre peças de substituição Makita.

ACESSÓRIOS OPCIONAIS

⚠ PRECAUÇÃO:

- Os seguintes acessórios ou extensões são os recomendados para utilizar com a ferramenta Makita especificada neste manual. A utilização de quaisquer outros acessórios poderá representar um risco de ferimento para as pessoas. Apenas utilize o acessório para o fim indicado.

Se precisar de informações adicionais relativas aos acessórios, contacte o centro local de assistência Makita.

- Cobertura da lâmina
- Montagem da lâmina da tesoura
- Bateria e carregador Makita genuínos
- Apanha-afaras

NOTA:

- Alguns itens na lista podem estar incluídos no pacote de ferramentas como acessórios de série. Podem diferir de país para país.

DANSK (Originalvejledning)

Forklaring til generel oversigt

- | | | |
|---|---|--------------------------------|
| 1. Rød indikator | 14. Hold sværdet på skrå | 27. Underdæksel |
| 2. Knap | 15. Tryk | 28. Plade |
| 3. Batteripakke | 16. Flisopsamler | 29. Krumtap |
| 4. Stjernemærkning | 17. Møtrik | 30. Ovalt hul i sværdet |
| 5. Batteriindikator | 18. Sværd | 31. Slidgrænse |
| 6. Knap | 19. Grenfanger | 32. Holderdækplade |
| 7. Hus | 20. Kroge | 33. Skruetrækker med lige kærv |
| 8. Afbryderkontakt B | 21. Placer krogene i rilleme | 34. Kulholderdæksel |
| 9. Afbryderkontakt A | 22. Riller | |
| 10. Sikringsknap | 23. Tryk på udløsningsmekanismerne på begge sider | |
| 11. Drejeknap til justering | 24. Frigør krogene | |
| 12. Klipperetning | 25. Sværdhylster | |
| 13. Den hækkeoverflade der skal klippes | 26. Skruer | |

SPECIFIKATIONER

| Model | DUH551 | DUH651 |
|-------------------------------------|----------------|----------|
| Sværdlængde | 550 mm | 650 mm |
| Slag pr. minut (min ⁻¹) | 1.000 - 1.800 | |
| Længde i alt | 1.065 mm | 1.135 mm |
| Nominal spænding | 36 V jævnstrøm | |
| Nettovægt | 5,1 kg | 5,2 kg |

- På grund af vores løbende forsknings- og udviklingsprogram kan specifikationerne heri ændres uden forudgående varsel.
- Specifikationerne og batteripakken kan variere fra land til land.
- Vægt, inklusive batteripakken, i henhold til EPTA-Procedure 01/2003

| Støj | Lydtryksniveau | | Lydeffektniveau | | Gældende standard eller direktiv |
|--------|--------------------------|-----------------------|--------------------------|-----------------------|----------------------------------|
| | L _{PA} (dB (A)) | Usikkerhed K (dB (A)) | L _{PA} (dB (A)) | Usikkerhed K (dB (A)) | |
| Model | | | | | |
| DUH551 | 81,5 | 2,1 | 91 | 1,5 | 2000/14/EF |
| DUH651 | 82 | 1,4 | 91,1 | 1,5 | |

- Bær høreværn.

| Vibration | Opgivet udledning (m/s ²) | Usikkerhed K (m/s ²) | Gældende standard eller direktiv |
|---------------|---------------------------------------|----------------------------------|----------------------------------|
| | | | |
| DUH551/DUH651 | ≤ 2,5 | 1,5 | EN60745 |

ENG901-1

- Den opgivne vibrationsemissionsværdi er målt i overensstemmelse med standardtestmetoden og kan bruges til at sammenligne et værktøj med et andet.
- Den opgivne vibrationsemissionsværdi kan muligvis også bruges til en indledende eksponeringsvurdering.

⚠ ADVARSEL:

- Vibrationsemissionen under den faktiske brug af maskinen kan afvige fra den opgivne emissionsværdi afhængigt af den måde, maskinen anvendes på.
- Sørg for at bestemme sikkerhedsforanstaltninger for beskyttelse af operatøren, som er baseret på en eksponeringsvurdering for brug under faktiske forhold (hvor alle anvendelsescyklussens dele inddrages, som f.eks. antal gange maskinen slukkes, og når den kører i tomgang ud over trigger tiden).

END013-4

Symbol

Her vises de symboler, der benyttes til udstyret. Vær sikker på, at du forstår deres betydning, før du bruger udstyret.



..... Læs brugsanvisningen.



..... Udsæt den ikke for regn.



Cd
Ni-MH
Li-Ion
..... Kun for EU-lande

Elektrisk udstyr eller batteripakke må ikke bortskaffes sammen med almindeligt affald!

I henhold til det europæiske direktiv om bortskaffelse af elektriske og elektroniske produkter og om batterier

og akkumulatører og bortskaffelse af batterier og akkumulatører og deres implementering under gældende national lovgivning skal brugt elektrisk udstyr, batterier og batteripakke(r), der har udtjent deres levetid, indsamles separat og returneres til miljøgodkendt genindvinding.

SIKKERHEDSADVARSLER FOR BATTERIDREVT HÆKKEKLIPPER

GEB062-5

Tilsigtet anvendelse ENE014-1

Maskinen er beregnet til klipning af hække.

Kun for europæiske lande ENH032-3

EF-overensstemmelseserklæring

Vi, Makita Corporation, erklærer som ansvarlig producent at følgende Makita-maskine(r):

Maskinens betegnelse:

Batteridrevet hækkeklipper

Modelnummer/type: DUH551, DUH651

Specifikationer: se tabellen "SPECIFIKATIONER".

er en produktionsserie og

Overholder følgende europæiske direktiver:

2000/14/EF, 2006/42/EF

Og er produceret i overensstemmelse med følgende standarder eller standardiserede dokumenter:

EN60745

Den tekniske dokumentation findes hos:

Makita International Europe Ltd.

Technical Department,

Michigan Drive, Tongwell,

Milton Keynes, Bucks MK15 8JD, England

Den konformitetsvurderingsprocedure, der kræves af Direktiv 2000/14/EF, blev udført i henhold til appendiks V. Model DUH551

Målt lydeffektniveau: 91,0 dB (A)

Garanteret lydeffektniveau: 93 dB (A)

Model DUH651

Målt lydeffektniveau: 91,1 dB (A)

Garanteret lydeffektniveau: 93 dB (A)

8. 8. 2013



Tomoyasu Kato

Direktør

Makita Corporation

3-11-8, Sumiyoshi-cho,

Anjo, Aichi, 446-8502, JAPAN

Generelle sikkerhedsadvarsler for maskiner

GEA10-1

⚠ ADVARSEL Læs alle sikkerhedsadvarsler og alle instruktioner. Hvis De ikke følger alle advarsler og instruktioner, kan det medføre elektrisk stød, brand og/eller alvorlig personskade.

Gem alle advarsler og instruktioner til senere reference.

- Hold alle kroppsdele på afstand af knivene.** Fjern ikke afskåret materiale og hold ikke på materiale, der skal skæres af, mens knivene arbejder. Sørg for, at kontakten er slukket, når du fjerner materiale, der har sat sig fast. Ved brug af en hækkeklipper kan et enkelt øjeblikks uopmærksomhed medføre alvorlige personskader.
- Bær hækkeklipperen i håndtaget med stoppede knive.** Sæt altid knivhylsteret på, når du transporterer eller opbevarer hækkeklipperen. Korrekt håndtering af hækkeklipperen reducerer risikoen for personskader pga. kontakt med knivene.
- Hold kun maskinen i de isolerede gribeblade, da knivene kan komme i kontakt med skjulte ledninger.** Hvis knivene kommer i kontakt med en strømførende ledning, kan udsatte metaldele på maskinen blive strømførende, hvorved operatøren kan få elektrisk stød.
- Benytt ikke hækkeklipperen i regnvejrr eller under våde eller meget fugtige forhold. Den elektriske motor er ikke vandtæt.
- Førstegangsbrugere bør få vist hvordan hækkeklipperen skal bruges af en erfaren person.
- Hækkeklipperen må ikke anvendes af børn eller unge under 18 år. Unge på mindst 16 år er muligvis undtaget fra denne regel, hvis de er under oplæring under opsyn af en ekspert.
- Brug kun hækkeklipperen hvis du er i god fysisk form. Hvis du er trætt, reduceres din koncentrationsevne. Pas især på sidst på arbejdsdagen. Udfør alt arbejde roligt og forsigtigt. Brugeren er ansvarlig for alle skader på tredjeparter.
- Du må aldrig anvende hækkeklipperen under påvirkning af alkohol, narkotika eller medicin.
- Arbejdshandsker af stærkt læder er en del af basisudstyret til hækkeklipperen og skal altid anvendes, når du arbejder med den. Brug også solide sko med skridsikre såler.
- Inden du starter, skal du kontrollere, at hækkeklipperen er i god stand og sikker at arbejde med. Sikr dig, at afskærmningerne er ordentligt monterede. Hækkeklipperen må ikke anvendes med mindre den er helt samlet.
- Sørg for, at du har et sikkert fodfæste, inden du starter på arbejdet.
- Hold ordentligt fast på maskinen under brug.
- Kør ikke maskinen mere end nødvendigt uden belastning.
- Sluk straks for motoren og fjern batteripakken hvis hækkeklipperen skulle komme i kontakt med et hegn eller en anden hård genstand. Efterse hækkeklipperen for skader og få den straks repareret, hvis den er beskadiget.
- Inden du kontrollerer knivene, udbedrer problemer eller fjerner materiale der sidder fast i knivene, skal du altid først slukke for hækkeklipperen og fjerne batteripakken.
- Sluk for hækkeklipperen og fjern batteripakken inden der udføres noget vedligeholdelsesarbejde.

- Du skal altid tage batteripakken ud og sætte sværdhysteret på, når du flytter hækkeklipperen et andet sted hen, inklusive under arbejdet. Du må aldrig bære eller transportere hækkeklipperen med knivene kørende. Grib aldrig om knivene med hænderne.
- Rengør hækkeklipperen og især knivene efter brug, samt inden hækkeklipperen lægges væk for en længere periode. Put lidt olie på knivene og sæt hylsteret på. Det hylster, der følger med enheden, kan hænges op på væggen og giver derfor mulighed for på sikker og praktisk vis at opbevare hækkeklipperen.
- Opbevar hækkeklipperen med hylsteret på i et tørt rum. Sørg for, at den er uden for børns rækkevidde. Opbevar aldrig hækkeklipperen udendørs.

GEM DISSE INSTRUKTIONER.

ADVARSEL:

LAD IKKE tryghed eller kendskab til produktet (fra gentagen brug) føre til, at du ikke strengt overholder sikkerhedsreglerne for det gældende produkt.

MISBRUG eller manglende overholdelse af sikkerhedsreglerne i denne brugsanvisning kan medføre alvorlig personskade.

VIGTIGE SIKKERHEDSINSTRUKTIONER

ENC007-8

FOR BATTERIPAKKEN

- Før brugen af batteripakken skal du læse alle instruktioner og advarsler på (1) batteriopladeren, (2) batteriet og (3) det produkt, som batteriet anvendes i.
- Skil ikke batteripakken ad.
- Hvis driftstiden bliver betydeligt kortere, skal du straks ophøre med brugen. Brug kan medføre risiko for overophedning, risiko for forbrændinger eller endog eksplosion.
- Hvis du får elektrolyt i øjnene, skal du med det samme rense øjnene med rent vand og søge læge. Dette kan medføre tab af synet.
- Kortslut ikke batteripakken:
 - Undgå at røre ved terminalerne med ledende materiale.
 - Undgå at opbevare batteripakken i en beholder med andre metalgenstande som f.eks. søm, mønter osv.
 - Udsæt ikke batteripakken for vand eller regn. Hvis batteriet kortsluttes, kan det medføre voldsom strøm, overophedning, mulige forbrændinger og endog nedbrud.
- Undgå at opbevare værktøjet og batteripakken på steder, hvor temperaturen kan komme op på eller overstige 50°C.
- Sæt ikke ild til batteripakken, selvom den er alvorligt beskadiget eller helt udtjent. Batteripakken kan eksplodere ved brand.
- Undgå at tabe eller slå på batteriet.
- Undlad brug af et beskadiget batteri.
- Følg de lokale bestemmelser med hensyn til bortskaffelse af batteri.

GEM DISSE INSTRUKTIONER.

Tips til, hvordan du forlænger batteriets levetid

- Oplad batteripakken, før den bliver helt afladet. Ophør med at bruge værktøjet, og udskift batteripakken, hvis strømmen til værktøjet aftager.
- Oplad aldrig en fuldt opladet batteripakke. Overopladning forkorter batteriets levetid.
- Oplad batteripakken ved stuetemperatur på 10°C - 40°C. Lad batteripakken køle ned før den oplades, hvis den er varm.
- Oplad batteripakken en gang hver sjette måned, hvis du ikke bruger det i lang tid.

FUNKTIONSBESKRIVELSE

FORSIGTIG:

- Sørg altid for, at maskinen er slukket, og at batteripakken er taget ud, før du justerer maskinen eller kontrollerer dens funktion.

Montering eller afmontering af batteripakken (Fig. 1)

FORSIGTIG:

- Sluk altid for maskinen inden montering eller afmontering af batteripakken.
- Hold godt fast i maskinen og batteripakken, når du monterer eller afmonterer batteripakken. Hvis maskinen og batteripakken ikke holdes ordentligt fast, kan de glide ud af hænderne og resultere i skader på maskinen og batteripakken samt personskade.

Afmonter batteripakken ved at holde ned på knappen foran på batteripakken og skubbe den af maskinen. Ved montering af batteripakken justeres tungen på batteripakken med rillen i huset, hvorefter pakken skubbes ind på plads. Sæt den hele vejen ind, indtil den låses på plads med et lille klik. Hvis den røde indikator øverst på knappen er synlig, er batteripakken ikke låst helt fast.

FORSIGTIG:

- Sæt altid batteripakken helt ind, indtil den røde indikator ikke længere er synlig. Ellers kan den falde ud af maskinen og skade dig eller andre personer i nærheden.
- Anvend ikke kræfter ved monteringen af batteripakken. Hvis den ikke glider let ind, er den ikke indsat korrekt.

BEMÆRK:

- Maskinen fungerer ikke med kun en batteripakke.

Maskin-/batteribeskyttelsessystem

Maskinen er udstyret med et maskin-/batteribeskyttelsessystem. Dette system slukker automatisk for strømmen til motoren for at forlænge maskin- og batterilevetiden.

Maskinen stopper automatisk under anvendelsen, hvis maskinen eller batteriet udsættes for en af de følgende situationer. I visse situationer lyser indikatorerne.

Overbelastningsbeskyttelse

Når maskinen anvendes på en måde, der får den til at trække unormalt meget strøm, standser maskinen automatisk uden nogen indikation. I denne situation skal du slukke for maskinen og standse den anvendelse, som gjorde maskinen overbelastet. Tænd derefter på maskinen for starte igen.

Overophedningsbeskyttelse for maskine/batteri

Når maskinen/batteriet overophedes, standser maskinen automatisk uden nogen indikation. Maskinen starter ikke, selvom du trykker på afbryderkontakten. I denne situation skal du lade maskinen/batteriet køle af, inden du tænder for maskinen igen.

BEMÆRK:

Batterioverophedningsbeskyttelsen fungerer kun med en batteripakke med en stjernemærkning. (Fig. 2)

Overafladningsbeskyttelse (Fig. 3)

Når den resterende batterikapacitet bliver lav, blinker batteriindikatoren på den pågældende batteriside. Ved yderligere brug standser maskinen, og batteriindikatoren lyser i ca. 10 sekunder. Udskift batteripakken i denne situation.

Positioner for håndtagsmontering

⚠ FORSIGTIG:

- Sørg altid for, at håndtaget er låst fast i den ønskede position før arbejdet. (Fig. 4)

Afhængigt af betjeningerne kan du indstille håndtagets vinkel på enten 45°- eller 90°-position til venstre eller højre. For at dreje håndtaget skal du trække i knappen og dreje håndtaget som vist på figuren. Håndtaget låses i 45°-position. For at dreje håndtaget til 90°-position skal du trække i knappen igen og dreje håndtaget mere.

Betjening af kontakt

⚠ FORSIGTIG:

- Før batteripakken sættes ind i maskinen, skal du altid kontrollere, at afbryderkontakten reagerer korrekt og vender tilbage til "OFF"-positionen, når du slipper den. (Fig. 5)

Denne maskine er af hensyn til din sikkerhed udstyret med et dobbelt kontaktsystem. For at tænde for maskinen skal du trykke på sikringsknappen og trykke på afbryderkontakten A og B. For at slukke for kontakten skal du slippe én af afbryderkontakterne. Maskinen starter kun, når begge afbryderkontakter trykkes ind.

Ændring af hastigheden (Fig. 6)

Antallet af slag pr. minut kan justeres ved at dreje med drejknappen. Dette kan gøres, selvom maskinen kører. Drejknappen har mærker fra 1 (laveste hastighed) til 6 (fuld hastighed).

Se i tabellen nedenfor for sammenhængen mellem talindstillingerne på drejknappen og antallet af slag pr. minut.

| Nummer på drejknappen til justering | Slag pr. minut (min ⁻¹) |
|-------------------------------------|-------------------------------------|
| 6 | 1.800 |
| 5 | 1.750 |
| 4 | 1.650 |
| 3 | 1.500 |
| 2 | 1.300 |
| 1 | 1.000 |

011264

⚠ FORSIGTIG:

- Drejknappen til hastighedsjustering kan kun drejes op til 6 og tilbage til 1. Prøv ikke at tvinge den forbi 6 eller 1, da hastighedsjusteringen ellers kan gå i stykker.
- Antallet af slag pr. minut kan variere afhængigt af forholdene for batteripakken og sværdet.

BETJENING

⚠ FORSIGTIG:

- Sørg for, at du ikke utilsigtet kommer i kontakt med metalhegn eller andre hårde genstande under klipning. Sværdet kan muligvis brække og forårsage alvorlig personskade.
- Det er meget farligt at strække sig meget langt frem med en hækkeklipper, især fra en stige. Udfør ikke arbejde stående på noget der rokker eller ikke står ordentligt fast. (Fig. 7)

Forsøg ikke at klippe grene der er tykkere end 10 mm i diameter med denne hækkeklipper. Disse bør først klippes ned til hækkeklipningsniveau med en grensaks.

⚠ FORSIGTIG:

- Klip ikke i døde træer eller lignende hårde genstande. Hvis du gør det, kan det muligvis beskadige maskinen. (Fig. 8)

Hold hækkeklipperen med begge hænder, tryk ind på afbryderkontakt A eller B og før derefter hækkeklipperen foran kroppen. (Fig. 9)

Grundlæggende bør du holde sværdet på skrå vendt mod klipperetningen og stille og roligt føre hækkeklipperen frem med en hastighed på 3 - 4 sekunder pr. meter.

(Fig. 10)

Når du skal klippe toppen på hækken lige, hjælper det at spænde en snor ud i den ønskede højde og klippe langs med den, ved at bruge den som en referencelinje.

(Fig. 11)

Hvis du monterer flisopsamlern (ekstratilbehør) på maskinen, når du klipper hækken lige, kan du undgå at afskårne blade bliver kastet væk. (Fig. 12)

Inden arbejdet drejes håndtaget, så det er nemt at håndtere maskinen. Se afsnittet "Positioner for håndtagsmontering".

For at klippe hækens side lige hjælper det at klippe fra bunden af og op. (Fig. 13)

Når buksbom eller rododendron klippes nedefra og op mod toppen, får du det bedste resultat.

Montering og afmontering af flisopsamleren (ekstratilbehør)

FORSIGTIG:

- Sørg altid for, at maskinen er slukket, og batteripakken er taget ud, før du monterer eller afmonterer flisopsamleren.

BEMÆRK:

- Når du monterer/afmonterer flisopsamleren, skal du altid bære handsker, sådan at hænder og ansigt ikke kommer i direkte kontakt med sværdet. Ellers kan det medføre personskader.
- Sørg altid for at fjerne sværdhylsteret inden montering af flisopsamleren.
- Flisopsamleren modtager de afskårne blade, og gør det lettere at opsamle bortkastede blade. Den kan monteres på begge sider af maskinen. (Fig. 14)

Tryk flisopsamleren ned på sværdet så dens sprækker overlapper med møtrikkerne på sværdet. Du skal her kontrollere, at flisopsamleren ikke rører ved grenfangeren, der er placeret yderst på sværdet. (Fig. 15)

Flisopsamleren skal monteres sådan, at dens kroge passer ind i rillerne på sværdenheden. (Fig. 16)

For at afmontere flisopsamleren skal du trykke på udløsningsmekanismen på begge sider, sådan at krogene låses op. (Fig. 17)

FORSIGTIG:

- Sværdhylsteret kan ikke monteres på maskinen, mens flisopsamleren er monteret. Inden du bærer på eller opbevarer hækkeklipperen, skal du afmontere flisopsamleren og sætte sværdhylsteret på for at undgå kontakt med sværdet.

BEMÆRK:

- Efterse flisopsamleren inden brug for at sikre ordentlig fastgørelse.
- Forsøg aldrig at afmontere flisopsamleren ved brug af kraft, mens krogene er låst ind i sværdenhedens riller. Brug af overdreven kraft kan beskadige maskinen.

VEDLIGEHODELSE

FORSIGTIG:

- Sørg altid for, at maskinen er slukket, og at batteripakken er taget ud, før du forsøger at udføre inspektion eller vedligeholdelse.
- Brug aldrig benzin, benzen, fortynder, alkohol eller lignende. Det kan muligvis medføre misfarvning, deformation eller revner.

Rengøring af maskinen

Rengør maskinen ved at tørre den af med en tør klud, eller en der er dyppet i sæbevand.

Vedligeholdelse af sværdet

Smør sværdet inden brug, samt én gang i timen under brug med maskinolie eller lignende.

BEMÆRK:

- Afmonter flisopsamleren inden du smører sværdet. Efter udført arbejde skal du fjerne støv fra begge sider af sværdet med en stålborste, tørre det af med en klud og derefter påføre rigeligt olie med lav viskositet, som fx maskinolie osv., eller smøreolie på spraydåse.

FORSIGTIG:

- Vask ikke sværdet i vand. Det muligvis forårsage rust eller beskadige maskinen.

Afmontering eller montering af sværd

FORSIGTIG:

- Sørg altid for, at maskinen er slukket, og batteripakken er taget ud, før du afmonterer eller monterer sværd.
- Når du udskifter sværdet, skal du altid bære handsker og undgå at fjerne sværdhylsteret, sådan at hænder og ansigt ikke kommer i direkte kontakt med sværdet. Ellers kan det medføre personskader.

BEMÆRK:

- Tør ikke fedtet af tandhjulet eller krumtappen. Hvis du gør det, kan det muligvis beskadige maskinen.
- Se bagsiden på indpakningen af ekstraskærd angående en særlig metode til afmontering og montering af sværdet.

Afmontering af sværdet

Vend maskinen på hovedet og løs de fire skruer. (Fig. 18)

BEMÆRK:

- Pas på dine hænder ikke snaves til eftersom der er smurt med fedt i sværdets bevægelsesområde.

Fjern underdækslet. (Fig. 19)

Fjern pladen. (Fig. 20)

Indstil krumtappen på den vinkel som er vist på figuren med en skruetrækker med lige kærv. (Fig. 21)

Fjern to skruer fra sværdet hvorefter sværdenheden kan tages ud. (Fig. 22)

FORSIGTIG:

- Sæt gearet tilbage på dets oprindelige position, på samme måde som det var monteret, hvis det ved en fejltagelse skulle tages af.

Montering af sværdet

Hav de 4 aftagne skruer (til underdækslet), 2 skruer (til sværdet), pladen, underdækslet og det nye sværd parat. Juster positionen af krumtappen som vist på figuren. Put herefter noget af det fedtstof, der følger med det nye sværd, rundt i kanten på krumtappen. (Fig. 23)

Overlap det ovale hul i det øverste sværd med det i det nederste sværd. (Fig. 24)

Tag sværdhylsteret fra det gamle sværd frem og placer det på de nye, så du nemt kan håndtere sværdet under udskiftningen. (Fig. 25)

Placer det nye sværd på maskinen sådan at de ovale huller i sværdene passer på krumtappen. Overlap hullerne i sværdene med skruhullerne i maskinen og fastgør dem derefter med to skruer. (Fig. 26)

Kontroller, at krumtappen nemt kan dreje med en skruetrækker med lige kærv. (Fig. 27)

Monter pladen og underdækslet på maskinen. Stram skruen ordentligt til.

BEMÆRK:

- Der er forskel på op og ned på pladen. Tag sværdhylsteret af og tænd derefter for maskinen for at kontrollere, om sværdet bevæger sig korrekt.

BEMÆRK:

- Hvis sværdene ikke kører ordentligt, er det fordi, at sværdene og krumtappen ikke er tilpasset ordentligt. Gør monteringen om igen.

Udskiftning af kulbørsterne (Fig. 28)

Tag regelmæssigt kulbørsterne af, og efterse dem. Udskift dem, når de er nedslidte til slidgrænsen. Hold kulbørsterne rene og frie til at glide i holderne. Begge kulbørster skal udskiftes samtidig. Brug altid kun identiske kulbørster. (Fig. 29)

Sæt spidsen af skruetrækkeren med lige kærvt ind i indhakkets på maskinen, og fjern holderdækladen ved at løfte op i den. (Fig. 30)

Brug en skruetrækker med lige kærvt til at fjerne kulholderdækslerne. Tag de udslidte kulbørster ud, monter de nye, og fastgør kulholderdækslerne. Monter holderdækladen på maskinen igen.

Opbevaring

Hullet i bunden af sværdhylsteret er praktisk, når maskinen hænges på på et søm eller en skrue på væggen. (Fig. 31)

Fjern batteripakken og placer sværdhylsteret over sværdet så sværdet ikke er udækket. Sørg for at opbevare maskinen uden for børns rækkevidde. Opbevar maskinen på et sted hvor den ikke udsættes for vand og regn.

For at holde produktet SIKKERT og PÅLIDELIGT skal reparationer samt al anden vedligeholdelse eller justering udføres af autoriserede Makita-servicecentre, og der skal altid benyttes Makita-reservedele.

EKSTRAUDSTYR** FORSIGTIG:**

- Dette tilbehør eller ekstraudstyr anbefales til brug med det Makita-værktøj, som er beskrevet i denne brugsanvisning. Brug af andet tilbehør eller ekstraudstyr kan forårsage personskade. Brug kun tilbehør eller ekstraudstyr til det formål, det er beregnet til.

Henvend dig til dit lokale Makita-servicecenter, hvis du har brug for hjælp eller yderligere oplysninger vedrørende tilbehøret.

- Sværdhylster
- Sværdmontering
- Originalt batteri og oplader fra Makita
- Flisopsamler

BEMÆRK:

- Visse dele på listen er muligvis indeholdt maskinindpakningen som standardtilbehør. De kan variere fra land til land.

ΕΛΛΗΝΙΚΑ (Πρωτογενείς οδηγίες)

Περιγραφή γενικής όψης

- | | | |
|---|--|-------------------------------------|
| 1. Κόκκινη ένδειξη | 14. Δώστε κλίση στις λάμες | 26. Βίδες |
| 2. Κουμπί | 15. Πιέστε | 27. Κάτω κάλυμμα |
| 3. Κασέτα μπαταρίας | 16. Συλλέκτης θραυσμάτων | 28. Έλασμα |
| 4. Ένδειξη άστρου | 17. Παξιμάδι | 29. Στρόφαλος |
| 5. Δείκτης μπαταρίας | 18. Λεπίδα κοπής | 30. Ωσειδής τρύπα της λεπίδας κοπής |
| 6. Κουμπί | 19. Συλλέκτης κλαδιών | 31. Ένδειξη ορίου |
| 7. Περιβλήμα | 20. Άγκιστρα | 32. Κάλυμμα κατακτιού υποδοχής |
| 8. Σκανδάλη-διακόπτης B | 21. Προσαρμόστε τα άγκιστρα στην αυλάκωση | 33. Ίσιο κατασβίδι |
| 9. Σκανδάλη-διακόπτης A | 22. Αυλακώσεις | 34. Κατάκι υποδοχής για καρβουνάκια |
| 10. Κουμπί απασφάλισης | 23. Πιέστε τους μοχλούς και στις δυο πλευρές | |
| 11. Επιλογέας ρύθμισης | 24. Απασφαλίστε τα άγκιστρα | |
| 12. Διευθύνση κλαδέματος | 25. Κάλυμμα λεπίδων | |
| 13. Επιφάνεια του φράκτη που πρόκειται να κλαδευτεί | | |

ΠΡΟΔΙΑΓΡΑΦΕΣ

| | | |
|---|---------------|----------|
| Μοντέλο | DUH551 | DUH651 |
| Μήκος λεπίδας | 550 mm | 650 mm |
| Διαδρομές το λεπτό (min ⁻¹) | 1.000 - 1.800 | |
| Ολικό μήκος | 1.065 mm | 1.135 mm |
| Ονομαστική τιμή τάσης | D.C.36V | |
| Καθαρό βάρος | 5,1 kg | 5,2 kg |

- Λόγω του συνεχόμενου προγράμματος που εφαρμόζουμε για έρευνα και ανάπτυξη, τα τεχνικά χαρακτηριστικά στο παρόν έντυπο υπόκεινται σε αλλαγή χωρίς προειδοποίηση.
- Τα τεχνικά χαρακτηριστικά και η μπαταρία ενδέχεται να διαφέρουν από χώρα σε χώρα.
- Βάρος μαζί με την μπαταρία σύμφωνα με τη διαδικασία της ΕΡΤΑ 01/2003

| Θόρυβος | Επίπεδο ηχητικής πίεσης | | Επίπεδο ηχητικής ισχύος | | Εφαρμοστέο πρότυπο ή οδηγία |
|---------|--------------------------|------------------------|--------------------------|------------------------|-----------------------------|
| | L _{PA} (dB (A)) | Αβεβαιότητα K (dB (A)) | L _{PA} (dB (A)) | Αβεβαιότητα K (dB (A)) | |
| Μοντέλο | | | | | |
| DUH551 | 81,5 | 2,1 | 91 | 1,5 | 2000/14/EK |
| DUH651 | 82 | 1,4 | 91,1 | 1,5 | |

- Να φοράτε ωτοασπίδες.

| Δόνηση | Δηλωθείσες εκπομπές (m/s ²) | Αβεβαιότητα K (m/s ²) | Εφαρμοστέο πρότυπο ή οδηγία |
|---------------|---|-----------------------------------|-----------------------------|
| Μοντέλο | | | |
| DUH551/DUH651 | ≤ 2,5 | 1,5 | EN60745 |

ENG90-1

- Η δηλωθείσα τιμή των παραγομένων κραδασμών έχει καταμετρηθεί σύμφωνα με την τυποποιημένη μέθοδο δοκιμασίας και μπορεί να χρησιμοποιηθεί για την σύγκριση ενός εργαλείου με ένα άλλο.
- Η δηλωθείσα τιμή των παραγομένων κραδασμών μπορεί επίσης να χρησιμοποιηθεί για μια προκαταρκτική αξιολόγηση της έκθεσης στους κραδασμούς.

ΠΡΟΕΙΔΟΠΟΙΗΣΗ:

- Η εκπομπή κραδασμών κατά τη διάρκεια της πραγματικής χρήσης του ηλεκτρικού εργαλείου μπορεί να διαφέρει από τη δηλωθείσα τιμή των εκπομπών, ανάλογα με τον τρόπο με τον οποίο χρησιμοποιείται το εργαλείο.
- Φροντίστε να λάβετε τα μέτρα ασφαλείας που απαιτούνται για την προστασία του χρήστη που

βασίζονται σε μια εκτίμηση της έκθεσης σε πραγματικές συνθήκες χρήσης (λαμβάνοντας υπόψη όλα τα μέρη του κύκλου λειτουργίας, όπως είναι οι περιπτώσεις κατά τις οποίες το εργαλείο είναι απενεργοποιημένο και όταν λειτουργεί στο ρελαντί επιπρόσθετως του χρόνου κατά τον οποίο το εργαλείο βρίσκεται σε χρήση).

Σύμβολο

END013-4

Παρακάτω παρουσιάζονται τα σύμβολα που χρησιμοποιούνται για τον εξοπλισμό. Βεβαιωθείτε ότι κατανοείτε τη σημασία τους πριν από τη χρήση.



..... Διαβάστε το εγχειρίδιο οδηγιών.



..... Μην το εκθέσετε στη βροχή.



Μόνο για τις χώρες της ΕΕ
Μην απορρίπτετε τον ηλεκτρικό
εξοπλισμό ή την μπαταρία μαζί με τα
οικιακά απορρίμματα!
Σύμφωνα με την Ευρωπαϊκή Οδηγία
περί απορριμμάτων ηλεκτρικών,
ηλεκτρονικών συσκευών, μπαταριών
και συσσωρευτών και των
απορριμμάτων μπαταριών και
συσσωρευτών και την ενσωμάτωσή
τους στην εθνική νομοθεσία, οι
ηλεκτρικές συσκευές, οι μπαταρίες και
οι κασέτες μπαταριών, των οποίων έχει
παρέλθει ο χρόνος ωφέλιμης ζωής
τους, πρέπει να συλλέγονται ξεχωριστά
και να επιστρέφονται σε εγκαταστάσεις
περιβαλλοντικής ανακύκλωσης.

Προοριζόμενη χρήση ENE014-1
Το εργαλείο προορίζεται για το κλάδεμα φρακτών από
θάμνους.

Για τις ευρωπαϊκές χώρες μόνο ENH032-3
EK – Δήλωση συμμόρφωσης

**Η εταιρία Makita ως υπεύθυνη κατασκευαστής,
δηλώνει ότι το παρακάτω μηχάνημα(-τα) της Makita:**

Ονομασία μηχανήματος:

Ψαλίδι Μπροντούρας Μπαταρίας

Αρ. Μοντέλου/Τύπου: DUH551, DUH651

Προδιαγραφές: δείτε τον πίνακα "ΠΡΟΔΙΑΓΡΑΦΕΣ".

αποτελούν παραγωγή σε σειρά και

**Συμμορφώνονται με τις ακόλουθες Ευρωπαϊκές
Οδηγίες:**

2000/14/EK, 2006/42/EK

Και κατασκευάζονται σύμφωνα με τα παρακάτω πρότυπα
ή τυποποιημένα έγγραφα:

EN60745

Τα τεχνικά έγγραφα διατηρούνται από το:

Makita International Europe Ltd.

Technical Department,

Michigan Drive, Tongwell,

Milton Keynes, Bucks MK15 8JD, England

Η διαδικασία εκτίμησης συμμόρφωσης που απαιτείται
από την Οδηγία 2000/14/EK εκτελέστηκε σύμφωνα με το
παράρτημα V.

Μοντέλο DUH551

Μετρημένο Επίπεδο Ηχητικής Ισχύος: 91,0 dB (A)

Εγγυημένο Επίπεδο Ηχητικής Ισχύος: 93 dB (A)

Μοντέλο DUH651

Μετρημένο Επίπεδο Ηχητικής Ισχύος: 91,1 dB (A)

Εγγυημένο Επίπεδο Ηχητικής Ισχύος: 93 dB (A)

8. 8. 2013

Tomoyasu Kato

Διευθυντής

Makita Corporation

3-11-8, Sumiyoshi-cho,

Anjo, Aichi, 446-8502, JAPAN

Γενικές Προειδοποιήσεις Ασφαλείας Του Ηλεκτρικού Εργαλείου

GEA010-1

**⚠️ ΠΡΟΕΙΔΟΠΟΙΗΣΗ Διαβάστε όλες τις
προειδοποιήσεις ασφαλείας και όλες τις οδηγίες.** Αν
δεν ακολουθήσετε όλες τις προειδοποιήσεις και τις
οδηγίες, υπάρχει κίνδυνος ηλεκτροπληξίας, πυρκαγιάς ή/
και σοβαρού τραυματισμού.

Φυλάξτε όλες τις προειδοποιήσεις και τις οδηγίες για μελλοντική αναφορά.

ΠΡΟΕΙΔΟΠΟΙΗΣΕΙΣ ΑΣΦΑΛΕΙΑΣ ΨΑΛΙΔΙΟΥ ΜΠΡΟΝΤΟΥΡΑΣ ΜΠΑΤΑΡΙΑΣ

GEB062-5

1. Κρατήστε όλα τα μέρη του σώματός σας μακριά από τη λεπίδα ψαλιδιού. Μην αφαιρείτε το υλικό κοπής ή κρατήστε το υλικό που πρόκειται να κοπεί όταν κινούνται οι λεπίδες. Σιγουρευτείτε ότι ο διακόπτης είναι κλειστός κατά τον καθαρισμό του υλικού που έχει μπλοκάρει. Μια στιγμιαία απροσεξία κατά τη διάρκεια χειρισμού του ψαλιδιού μπροντούρας μπορεί να προκαλέσει σοβαρό προσωπικό τραυματισμό.
2. **Να μεταφέρετε το ψαλίδι μπροντούρας από τη λαβή με σταματημένη τη λεπίδα κοπής. Κατά την μεταφορά ή την αποθήκευση του ψαλιδιού μπροντούρας πάντοτε να τοποθετείτε το κάλυμμα του μηχανισμού κοπής.** Ο κατάλληλος χειρισμός του ψαλιδιού μπροντούρας θα ελαττώσει την πιθανότητα προσωπικού τραυματισμού από τις λεπίδες κοπής.
3. **Κρατήστε το ηλεκτρικό εργαλείο μόνο από τις μονωμένες επιφάνειες, επειδή η λεπίδα κοπής μπορεί να έρθει σε επαφή με κρυμμένη καλωδίωση.** Αν οι λεπίδες κοπής έρθουν σε επαφή με κάποιο ηλεκτροφόρο καλώδιο, τα εκτεθειμένα μεταλλικά μέρη του ηλεκτρικού εργαλείου θα γίνουν κι αυτά ηλεκτροφόρα και μπορεί να προκληθεί ηλεκτροπληξία στο χειριστή.
4. Να μην χρησιμοποιήσετε το ψαλίδι μπροντούρας μέσα στην βροχή ή κάτω από υγρές ή πολύ υατερές συνθήκες. Το ηλεκτρικό μοτέρ δεν είναι αδιάβροχο.
5. Οι χρήστες που χρησιμοποιούν το ψαλίδι μπροντούρας για πρώτη φορά θα πρέπει να λάβουν οδηγίες για τη χρήση του από ένα έμπειρο χρήστη.
6. Το ψαλίδι μπροντούρας δεν πρέπει να χρησιμοποιείται από παιδιά και νέους κάτω των 18 ετών. Εξαιρούνται από αυτήν την απαγόρευση οι νέοι άνω των 16 ετών που εκπαιδεύονται υπό την επίβλεψη ειδικού.
7. Να χρησιμοποιείτε το ψαλίδι μπροντούρας μόνο όταν βρίσκεστε σε καλή φυσική κατάσταση. Εάν είστε κουρασμένοι, η προσοχή σας θα μειωθεί. Να είστε ιδιαίτερα προσεκτικοί κατά το τέλος μιας εργάσιμης ημέρας. Εκτελέστε όλες τις εργασίες με ηρεμία και προσοχή. Ο χρήστης είναι υπεύθυνος για όλες τις ζημιές σε τρίτους.
8. Μην χρησιμοποιείτε ποτέ το ψαλίδι υπό την επίρροια αλκοόλ, ναρκωτικών ουσιών ή φαρμάκων.

9. Τα γάντια εργασίας από ανθεκτικό δέρμα αποτελούν μέρος του βασικού εξοπλισμού του ψαλιδιού μπορντούρας και θα πρέπει πάντοτε να φοριούνται κατά την εργασία με αυτό. Επίσης να φοράτε ανθεκτικά παπούτσια με αντιολισθητικές σόλες.
10. Πριν από την έναρξη της εργασίας βεβαιωθείτε ότι το ψαλίδι βρίσκεται σε καλή και ασφαλή κατάσταση λειτουργίας. Διασφαλίστε ότι τα προστατευτικά έχουν τοποθετηθεί σωστά. Εάν δεν είναι πλήρως συναρμολογημένο το ψαλίδι μπορντούρας δεν θα πρέπει να χρησιμοποιείται.
11. Πριν ξεκινήσετε την εργασία διασφαλίστε ότι έχετε ένα σταθερό πάτημα.
12. Να κρατάτε το εργαλείο γερά όταν το χρησιμοποιείτε.
13. Μη θέτετε το εργαλείο σε λειτουργία χωρίς φόρτο, αν αυτό δεν είναι απαραίτητο.
14. Σταματήστε αμέσως το μοτέρ και αποσυνδέστε την μπαταρία εάν ο κόφτης έρθει σε επαφή με το φράκτη ή με κάποιο άλλο σκληρό αντικείμενο. Ελέγξτε τον κόφτη προσεκτικά για φθορά, και αν έχει πάθει ζημιά επισκευάστε τον αμέσως.
15. Πριν από τον έλεγχο του κόφτη, την επιδιόρθωση σφαλμάτων ή την αφαίρεση του υλικού που πιπίστηκε μέσα στον κόφτη πάντοτε να διακόπτετε τη λειτουργία του ψαλιδιού και να βγάζετε τη μπαταρία.
16. Πριν από την εκτέλεση της οποιασδήποτε εργασίας συντήρησης να διακόπτετε την λειτουργία του ψαλιδιού και να αφαιρείτε την μπαταρία.
17. Κατά την μετακίνηση του ψαλιδιού μπορντούρας σε μια άλλη θέση, ακόμη και κατά την διάρκεια της εργασίας, πάντοτε να αφαιρείτε την μπαταρία και να τοποθετείτε το κάλυμμα των λεπίδων πάνω στις λεπίδες κοπής. Ποτέ μη μεταφέρετε ή μετακινείτε το ψαλίδι με το κόφτη σε λειτουργία. Ποτέ να μην πιάνετε τον κόφτη με τα χέρια σας.
18. Καθαρίστε το ψαλίδι μπορντούρας και ιδιαίτερα τον κόφτη μετά από την χρήση και πριν αποθηκεύσετε το ψαλίδι για παρατεταμένες περιόδους. Λαδώστε ελαφρά τον κόφτη και τοποθετήστε το κάλυμμα. Το κάλυμμα που παρέχετε με τη συσκευή μπορεί να κρεμαστεί στον τοίχο, παρέχοντας ένα ασφαλή και πρακτικό τρόπο για την αποθήκευση του ψαλιδιού μπορντούρας.
19. Αποθηκεύστε το ψαλίδι μπορντούρας με το κάλυμμα πάνω του σε ένα ξηρό δωμάτιο. Κρατήστε το μακριά από την πρόσβαση των παιδιών. Ποτέ να μην αποθηκεύσετε το ψαλίδι σε εξωτερικό χώρο.

ΦΥΛΑΞΤΕ ΑΥΤΕΣ ΤΙΣ ΟΔΗΓΙΕΣ.

ΠΡΟΕΙΔΟΠΟΙΗΣΗ:

ΜΗΝ επιτρέψετε στη βολικότητα ή στην εξοικειωσή σας με το προϊόν (που αποκτήθηκε από επανειλημμένη χρήση) να αντικαταστήσει την αυστηρή προσήλωση στους κανόνες ασφάλειας του εν λόγω προϊόντος. Η ΛΑΝΘΑΣΜΕΝΗ ΧΡΗΣΗ ή η μη τήρηση των κανόνων ασφαλείας που διατυπώνονται στο παρόν εγχειρίδιο οδηγιών μπορεί να προκαλέσει σοβαρό τραυματισμό.

ΣΗΜΑΝΤΙΚΕΣ ΟΔΗΓΙΕΣ ΑΣΦΑΛΕΙΑΣ

ENC007-8

ΓΙΑ ΤΗΝ ΜΠΑΤΑΡΙΑ

1. Πριν χρησιμοποιήσετε την μπαταρία, διαβάστε όλες τις οδηγίες και τις ενδείξεις προφύλαξης στο (1) φορτιστή μπαταρίας, (2) την μπαταρία και (3) το προϊόν στο οποίο χρησιμοποιείται η μπαταρία.
2. Μην αποσυναρμολογείτε την μπαταρία.
3. Αν ο χρόνος λειτουργίας της μπαταρίας είναι υπερβολικά σύντομος, διακόψτε αμέσως τη λειτουργία. Αν συνεχίσετε, μπορεί να έχει ως αποτέλεσμα τον κίνδυνο υπερθέρμανσης, πιθανών εκκαυμάτων και ακόμη έκρηξης.
4. Αν μπει στα μάτια σας ηλεκτρολύτης, ξεπλύνετε με καθαρό νερό και αναζητήστε αμέσως ιατρική βοήθεια. Μπορεί να χάσετε την όρασή σας.
5. Μην βραχυκυκλώνετε την μπαταρία:
 - (1) Μην αγνίζετε τους ακροδέκτες με αγωγίμο υλικό.
 - (2) Μην αποθηκεύετε την μπαταρία σε δοχείο με άλλα μεταλλικά αντικείμενα, όπως καρφιά, νομίσματα, κτλ.
 - (3) Μην εκθέτετε την μπαταρία σε νερό ή βροχή. Αν βραχυκυκλωθεί η μπαταρία, μπορεί να προκληθεί μεγάλη ροή ηλεκτρικού ρεύματος, υπερθέρμανση, πιθανά εκκαυμάματα και ακόμη και καταστροφή της μπαταρίας.
6. Μην αποθηκεύετε το εργαλείο και την μπαταρία σε μέρη όπου η θερμοκρασία μπορεί να φτάσει ή να ξεπεράσει τους 50°C (122°F).
7. Μην αποτεφρώνετε την μπαταρία ακόμη κι αν παρουσιάζει σοβαρή ζημιά ή είναι εντελώς φθαρμένη. Η μπαταρία μπορεί να εκραγεί σε φωτιά.
8. Να προσέχετε να μη σας πέσει η μπαταρία και να μη συσχευτεί με κάποιο αντικείμενο.
9. Μην χρησιμοποιείτε μια μπαταρία που έχει υποστεί βλάβη.
10. Ακολουθήστε τους τοπικούς κανονισμούς σχετικά με την απόρριψη της μπαταρίας.

ΦΥΛΑΞΤΕ ΑΥΤΕΣ ΤΙΣ ΟΔΗΓΙΕΣ.

Συμβουλές για τη διατήρηση της μέγιστης ζωής της μπαταρίας

1. Να φορτίζετε την μπαταρία πριν αποφορτιστεί εντελώς. Πάντοτε να διακόπτετε τη λειτουργία του εργαλείου και να φορτίζετε την μπαταρία όταν παρατηρείται μειωμένη ισχύ του εργαλείου.
2. Ποτέ μην επαναφορτίζετε μια πλήρως φορτισμένη μπαταρία. Αν υπερφορτίσετε την μπαταρία, μειώνεται η ωφέλιμη διάρκεια ζωής της.
3. Να φορτίζετε την μπαταρία σε θερμοκρασία δωματίου, δηλαδή στους 10°C έως 40°C (50°F έως 104°F). Αν η μπαταρία είναι θερμή, αφήστε την να ψυχθεί πριν τη φορτίσετε.
4. Να φορτίζετε την κασέτα μπαταρία μια φορά κάθε έξι μήνες όταν δεν τη χρησιμοποιείτε για μεγάλο χρονικό διάστημα.

ΠΕΡΙΓΡΑΦΗ ΛΕΙΤΟΥΡΓΙΑΣ

ΠΡΟΣΟΧΗ:

- Να βεβαιώνετε πάντοτε ότι έχετε σβήσει το εργαλείο και έχετε βγάλει την κασέτα μπαταρίας πριν ρυθμίσετε ή ελέγξετε κάποια λειτουργία του εργαλείου.

Τοποθέτηση ή αφαίρεση της κασέτας μπαταρίας (Εικ. 1)

ΠΡΟΣΟΧΗ:

- Πάντοτε να απενεργοποιείτε το εργαλείο πριν από την τοποθέτηση ή την αφαίρεση της κασέτας μπαταρίας.
- **Κρατήστε το εργαλείο και την κασέτα μπαταρίας γερά κατά την τοποθέτηση ή την αφαίρεση της κασέτας μπαταρίας.** Εάν δεν κρατήσετε το εργαλείο και την μπαταρία καλά μπορεί να γλιστρήσουν από τα χέρια σας και να προκληθεί ζημιά στο εργαλείο και στη μπαταρία αλλά και προσωπικός τραυματισμός.

Για να βγάλετε την κασέτα μπαταρίας, σύρετε την από το εργαλείο ολισθαίνοντας το κουμπί στο μπροστινό μέρος της κασέτας.

Για να τοποθετήσετε την κασέτα μπαταρίας, ευθυγραμμίστε τη γλωττίδα της κασέτας μπαταρίας με την εγκοπή στο περιβλήμα και ολισθήστε τη στη θέση της. Τοποθετήστε τη έως το τέρμα, δηλαδή έως όπου ασφαλίσει στη θέση και ακουστεί ένας χαρακτηριστικός ήχος “κλικ”. Αν μπορείτε να δείτε την κόκκινη ένδειξη στην πάνω πλευρά του κουμπιού, η μπαταρία δεν είναι πλήρως ασφαλισμένη.

ΠΡΟΣΟΧΗ:

- Πάντοτε να τοποθετείτε πλήρως την κασέτα μπαταρίας για να μη φαίνεται η κόκκινη ένδειξη. Σε αντίθετη περίπτωση, μπορεί να πέσει κατά λάθος από το εργαλείο και να τραυματίσει εσάς ή κάποιον παρευρισκόμενο.
- Μην εισάγετε με τη βία την κασέτα μπαταρίας. Αν η κασέτα δεν ολισθαίνει με ευκολία, δεν την εισαγάγετε σωστά.

ΣΗΜΕΙΩΣΗ:

- Το εργαλείο δεν λειτουργεί με μόνο μια κασέτα μπαταρίας.

Σύστημα προστασίας εργαλείου/ μπαταρίας

Το εργαλείο είναι εφοδιασμένο με ένα σύστημα προστασίας εργαλείου/μπαταρίας. Αυτό το σύστημα διακόπτει αυτόματα το ρεύμα στον κινητήρα για να παρατείνεται η διάρκεια ζωής του εργαλείου και της μπαταρίας.

Το εργαλείο θα σταματήσει αυτόματα κατά τη λειτουργία όταν το εργαλείο ή η μπαταρία υποστούν μια από τις παρακάτω συνθήκες. Σε ορισμένες περιπτώσεις ανάβουν οι δείκτες.

Προστασία υπερφόρτωσης

Όταν το εργαλείο λειτουργεί με τρόπο που το κάνει να τραβά μια ασυνήθιστα μεγάλη ποσότητα ρεύματος, το εργαλείο σταματά αυτόματα χωρίς κάποια ένδειξη. Στην περίπτωση αυτή, απενεργοποιήστε το εργαλείο και σταματήστε την εφαρμογή που προκάλεσε την υπερφόρτωση του εργαλείου. Στη συνέχεια ενεργοποιήστε το εργαλείο για να ξαναρχίσετε πάλι.

Προστασία υπερφόρτωσης για το εργαλείο/μπαταρία

Όταν το εργαλείο/μπαταρία έχει υπερθερμανθεί, το εργαλείο σταματά αυτόματα χωρίς ένδειξη. Το εργαλείο δεν ξεκινά ακόμη και αν τραβήξετε τη σκανδάλη-διακόπτης. Στην περίπτωση αυτή, αφήστε το εργαλείο/μπαταρία να κρυώσει πριν ενεργοποιήσετε ξανά το εργαλείο.

ΣΗΜΕΙΩΣΗ:

Η προστασία από την υπερθέρμανση της μπαταρίας λειτουργεί μόνο με μια κασέτα μπαταρίας που έχει την ένδειξη άστρου. (Εικ. 2)

Προστασία έναντι της υπερβολικής αποφόρτισης (Εικ. 3)

Όταν είναι χαμηλή η εναπομένουσα χωρητικότητα της μπαταρίας, ο δείκτης της μπαταρίας αναβοσβήνει στη σχετική πλευρά της μπαταρίας. Αν συνεχιστεί η χρήση, το εργαλείο σταματά και ανάβει ο δείκτης της μπαταρίας για 10 δευτερόλεπτα περίπου. Σε αυτήν την περίπτωση, φορτίστε την κασέτα μπαταρίας.

Θέση στερέωσης της λαβής

ΠΡΟΣΟΧΗ:

- Να βεβαιώνετε πάντα ότι η λαβή είναι κλειδωμένη στην επιθυμητή θέση πριν από τη λειτουργία. (Εικ. 4) Ανάλογα με τις λειτουργίες, μπορείτε να ρυθμίσετε τη γωνία της λαβής σε μια από τις θέσεις των 45° ή 90° στα αριστερά ή στα δεξιά. Για να περιστρέψετε τη λαβή, τραβήξτε έξω το κουμπί και γυρίστε τη λαβή όπως φαίνεται στην εικόνα. Η λαβή είναι κλειδωμένη στη θέση των 45°. Για να περιστρέψετε τη λαβή στη θέση 90°, τραβήξτε το κουμπί ξανά και περιστρέψτε περισσότερο τη λαβή.

Δράση διακόπτη

ΠΡΟΣΟΧΗ:

- Πριν την τοποθέτηση της κασέτας μπαταρίας στο εργαλείο, πάντοτε να ελέγχετε για να δείτε ότι η σκανδάλη-διακόπτης ενεργοποιείται κανονικά και επιστρέφει στη θέση “OFF” όταν την αφήνετε. (Εικ. 5) Για την ασφάλειά σας, αυτό το εργαλείο διαθέτει ένα διπλό σύστημα διακοπών. Για να ενεργοποιήσετε το εργαλείο, πατήστε το κουμπί απασφάλισης και πατήστε τις σκανδάλες-διακόπτες Α και Β. Για να απενεργοποιήσετε το διακόπτη, απελευθερώστε μία από τις σκανδάλες-διακόπτες. Το εργαλείο ξεκινά όταν πατηθούν και οι δυο σκανδάλες-διακόπτες.

Αλλαγή ταχύτητας (Εικ. 6)

Μπορείτε να ρυθμίσετε τις διαδρομές ανά λεπτό, αν περιστρέψετε απλά τον επιλογέα ρύθμισης. Αυτό μπορεί να πραγματοποιηθεί ακόμα και κατά τη λειτουργία του εργαλείου. Ο επιλογέας είναι σημειωμένος από το 1 (χαμηλότερη ταχύτητα) έως το 6 (τελική ταχύτητα). Για τη σχέση μεταξύ των αριθμημένων ρυθμίσεων στον επιλογέα ρύθμισης και των διαδρομών ανά λεπτό, ανατρέξτε στον παρακάτω πίνακα.

| Αριθμηση στον επιλογέα ρύθμισης | Διαδρομές το λεπτό (min ⁻¹) |
|---------------------------------|---|
| 6 | 1.800 |
| 5 | 1.750 |
| 4 | 1.650 |
| 3 | 1.500 |
| 2 | 1.300 |
| 1 | 1.000 |

011264

ΠΡΟΣΟΧΗ:

- Ο επιλογέας ρύθμισης ταχύτητας έχει τη δυνατότητα ρύθμισης έως το 6 και ξανά πίσω στο 1. Μην τον εξαναγκάζετε πέρα από το 6 ή το 1, αλλιώς μπορεί να μη λειτουργήσει πλέον η ρύθμιση ταχύτητας.
- Οι διαδρομές ανά λεπτό διαφέρουν ανάλογα με τις συνθήκες της μπαταρίας και των λεπίδων κοπής.

ΛΕΙΤΟΥΡΓΙΑ

ΠΡΟΣΟΧΗ:

- Να προσέξετε να μην έρθετε σε επαφή κατά τύχη με ένα μεταλλικό φράκτη ή με άλλα σκληρά αντικείμενα κατά το κλάδεμα. Η λεπίδα θα σπάσει και μπορεί να προκαλέσει σοβαρό τραυματισμό.
- Το υπερβολικό τέντωμα με το ψαλίδι μπροντούρας, ιδιαίτερα από μια σκάλα είναι υπερβολικά επικίνδυνο. Να μην εργάζεστε από μια κινούμενη ή ασταθή θέση. **(Εικ. 7)**

Να μην προσπαθήσετε να κόψετε κλαδιά με διάμετρο πάχους μεγαλύτερη από 10 mm με αυτό το ψαλίδι. Αυτά θα πρέπει να κοπούν πρώτα με ψαλίδα μέχρι το επίπεδο του κλαδέματος του φράκτη.

ΠΡΟΣΟΧΗ:

- Μην κόβετε ξερά δένδρα ή παρόμοια σκληρά αντικείμενα. Αν δεν τηρήσετε αυτή την οδηγία, μπορεί να προκληθεί ζημιά στο εργαλείο. **(Εικ. 8)**

Κρατήστε το ψαλίδι με τα δύο σας χέρια και τραβήξτε τη σκανδάλη-διακόπτης Α ή Β και μετακινήστε το μπροστά από το σώμα σας. **(Εικ. 9)**

Για τη βασική λειτουργία, στρέψτε τις λεπίδες προς την διεύθυνση κλαδέματος και κινήστε το ήρεμα και αργά με μια ταχύτητα 3 - 4 δευτερολέπτων το μέτρο. **(Εικ. 10)**

Η ομοιόμορφη κοπή της κορυφής ενός φράκτη, γίνεται ευκολότερη με το δέσιμο μιας κλωστής στο επιθυμητό ύψος και το κλάδεμα κατά μήκος της, χρησιμοποιώντας την ως γραμμή αναφοράς. **(Εικ. 11)**

Η τοποθέτηση του συλλογέα θραυσμάτων (προαιρετικό αξεσουάρ) στο εργαλείο κατά το κλάδεμα του φράκτη σε ευθεία μπορεί να βοηθήσει στην αποφυγή του πετάγματος των κομμένων φύλλων. **(Εικ. 12)**

Περιστρέψτε τη λαβή για εύκολο κράτημα πριν την χρήση. Ανατρέξτε στην ενότητα με τίτλο "Θέση στερέωσης της λαβής".

Για την ίσια κοπή των πλαϊνών του φράκτη, θα βοηθηθείτε εάν κόβετε από κάτω προς τα πάνω. **(Εικ. 13)**

Να κλαδεύετε ένα πυξό ή ένα ροδόδεντρο από τη βάση προς τα επάνω ώστε να γίνει μια καλή δουλειά και να δημιουργηθεί μια ωραία εμφάνιση.

Τοποθέτηση ή αφαίρεση του συλλέκτη θραυσμάτων (προαιρετικό αξεσουάρ)

ΠΡΟΣΟΧΗ:

- Να βεβαιώνετε πάντοτε ότι έχετε σβήσει το εργαλείο και έχετε βγάλει την μπαταρία πριν την τοποθέτηση ή την αφαίρεση του συλλέκτη θραυσμάτων.

ΣΗΜΕΙΩΣΗ:

- Κατά την αντικατάσταση του συλλέκτη θραυσμάτων, πάντοτε να φοράτε γάντια έτσι ώστε τα χέρια σας και το πρόσωπό σας να μην έρχονται σε άμεση επαφή με τη λεπίδα. Αν δεν τηρήσετε αυτή την οδηγία, μπορεί να προκληθεί προσωπικός τραυματισμός.
- Πάντοτε να φροντίζετε να αφαιρέτε το κάλυμμα των λεπίδων πριν την εγκατάσταση του συλλέκτη θραυσμάτων.
- Ο συλλέκτης θραυσμάτων δέχεται κομμένα φύλλα και μετράζει το πέταγμα των φύλλων. Μπορείτε να τον τοποθετήσετε σε οποιαδήποτε πλευρά του εργαλείου. **(Εικ. 14)**

Πιέστε τον συλλέκτη θραυσμάτων στις λεπίδες κοπής έτσι ώστε οι σχισμές του να επικαλύπτουν τα παξιμάδια των λεπίδων κοπής. Τη στιγμή αυτή, φροντίστε ώστε ο συλλέκτης θραυσμάτων να μην έρχεται σε επαφή με το συλλέκτη κλαδιών στην κορυφή των λεπίδων κοπής. **(Εικ. 15)**

Τη στιγμή αυτή, ο συλλέκτης θραυσμάτων χρειάζεται να τοποθετηθεί με τέτοιο τρόπο ώστε τα άγκιστρα του να ταιριάζουν μέσα στις αυλακώσεις της μονάδας των λεπίδων κοπής. **(Εικ. 16)**

Για να βγάλετε τον συλλέκτη θραυσμάτων, πιέστε το μοχλό και στις δυο πλευρές έτσι ώστε να απασφαλίσουν τα άγκιστρα. **(Εικ. 17)**

ΠΡΟΣΟΧΗ:

- Το κάλυμμα των λεπίδων δεν μπορεί να τοποθετηθεί πάνω στο εργαλείο με εγκαταστημένο το συλλέκτη θραυσμάτων. Πριν από την μεταφορά ή την αποθήκευση, αφαιρέστε τον συλλέκτη θραυσμάτων και μετά τοποθετήστε το κάλυμμα των λεπίδων για να αποφύγετε την έκθεση των λεπίδων.

ΣΗΜΕΙΩΣΗ:

- Ελέγξτε ότι ο συλλέκτης θραυσμάτων έχει τοποθετηθεί σταθερά πριν από την χρήση.
- Ποτέ να μην προσπαθήσετε να αφαιρέσετε τον συλλέκτη θραυσμάτων με τη χρήση υπερβολικής βίας καθώς τα άγκιστρα του είναι ασφαλισμένα στις αυλακώσεις στη μονάδα των λεπίδων. Η χρήση υπερβολικής δύναμης μπορεί να τον καταστρέψει.

ΣΥΝΤΗΡΗΣΗ

ΠΡΟΣΟΧΗ:

- Να βεβαιώνετε πάντοτε ότι έχετε σβήσει το εργαλείο και έχετε βγάλει την μπαταρία πριν εκτελέσετε οποιαδήποτε εργασία ελέγχου ή συντήρησης σε αυτό.
- Μην χρησιμοποιήσετε βενζίνη, βενζόλη, διαλυτικό, αλκοόλη ή κάτι παρόμοιο. Μπορεί να προκληθεί αποχρωματισμός, παραμόρφωση ή ρωγμές.

Καθαρισμός του εργαλείου

Καθαρίστε το εργαλείο σκουπίζοντας την σκόνη με ένα στεγνό πανί ή με ένα πανί βουτηγμένο σε σαπουνόνερο.

Συντήρηση λεπίδας

Επαλείψτε την λεπίδα πριν από τη λειτουργία και μια φορά κάθε μια ώρα λειτουργίας, χρησιμοποιώντας μηχανικό λάδι ή κάτι παρόμοιο.

ΣΗΜΕΙΩΣΗ:

- Πριν την επάλειψη της λεπίδας, αφαιρέστε το συλλέκτη θραυσμάτων.

Μετά τη λειτουργία, αφαιρέστε την σκόνη από τις δυο πλευρές της λεπίδας με μια συρματόβουρσα, σκουπίστε με ένα πανί και μετά βάλτε αρκετό λάδι χαμηλού ιξώδους, όπως μηχανικό λάδι, κτλ. και λιπαντικό ψεκασμού.

⚠ ΠΡΟΣΟΧΗ:

- Μην πλύνετε τις λεπίδες με νερό. Αν δεν τηρήσετε αυτή την οδηγία, μπορεί να προκληθεί σκουριά ή φθορά στο εργαλείο.

Αφαίρεση ή τοποθέτηση της λεπίδας κοπής

⚠ ΠΡΟΣΟΧΗ:

- Πριν από την αφαίρεση ή την τοποθέτηση της λεπίδας κοπής, πάντοτε να φροντίζετε να απενεργοποιείτε το εργαλείο και να αφαιρείτε την μπαταρία.
- Κατά την αντικατάσταση της λεπίδας κοπής, πάντοτε να φοράτε γάντια χωρίς να αφαιρέσετε το κάλυμμα των λεπίδων έτσι ώστε τα χέρια σας και το πρόσωπό σας να μην έρχονται σε άμεση επαφή με τη λεπίδα. Αν δεν τηρήσετε αυτή την οδηγία, μπορεί να προκληθεί προσωπικός τραυματισμός.

ΣΗΜΕΙΩΣΗ:

- Μην σκουπίσετε το γράσο από το γρανάζι και το στρόφαλο. Αν δεν τηρήσετε αυτή την οδηγία, μπορεί να προκληθεί ζημιά στο εργαλείο.
- Για τον ειδικό τρόπο αφαίρεσης και τοποθέτησης των λεπίδων κοπής ανατρέξτε στο πίσω μέρος της συσκευασίας για τις βοηθητικές λεπίδες κοπής.

Αφαίρεση των λεπίδων κοπής

Αναστρέψτε το εργαλείο και ξεσφίξτε τις τέσσερις βίδες. **(Εικ. 18)**

ΣΗΜΕΙΩΣΗ:

- Προσέξτε να μην λερώσετε τα χέρια σας επειδή υπάρχει γράσο στην επιφάνεια κίνησης της λεπίδας κοπής.

Αφαιρέστε το κάτω κάλυμμα. **(Εικ. 19)**

Αφαιρέστε το έλασμα. **(Εικ. 20)**

Τοποθετήστε τον στρόφαλο υπό γωνία όπως δείχνεται στην εικόνα με ένα ίσιο κατασαβίδι. **(Εικ. 21)**
Αφαιρέστε τις δυο βίδες από τις λεπίδες κοπής και θα βγει έξω το συγκρότημα των λεπίδων κοπής. **(Εικ. 22)**

⚠ ΠΡΟΣΟΧΗ:

- Επιστρέψτε το γρανάζι στην αρχική του θέση όπως ήταν τοποθετημένο, εάν βγει έξω κατά λάθος.

Τοποθέτηση των λεπίδων κοπής

Ετοιμάστε τις 4 βίδες που έχουν αφαιρεθεί (Για το κάτω κάλυμμα), τις 2 βίδες (Για τη λεπίδα κοπής), το έλασμα, το κάτω κάλυμμα, και τις νέες λεπίδες κοπής. Προσαρμόστε τη θέση του στρόφαλου όπως απεικονίζεται στην εικόνα. Τη στιγμή αυτή, βάλτε λίγο

γράσο που παρέχεται με τις νέες λεπίδες κοπής στην περιφέρεια του στρόφαλου. **(Εικ. 23)**
Αλληλεπικαλύψτε την ωοειδή τρύπα στην πάνω λεπίδα με αυτή στην κάτω. **(Εικ. 24)**

Αφαιρέστε το κάλυμμα των λεπίδων από τις παλιές λεπίδες κοπής και τοποθετήστε το πάνω στις νέες για τον εύκολο χειρισμό κατά την αντικατάσταση των λεπίδων. **(Εικ. 25)**

Τοποθετήστε τις καινούργιες λεπίδες κοπής πάνω στο εργαλείο έτσι ώστε οι ωοειδείς τρύπες των λεπίδων κοπής να ταιριάζουν πάνω στο στρόφαλο. Αλληλεπικαλύψτε τις τρύπες των λεπίδων κοπής με τις τρύπες των βιδών του εργαλείου και μετά στερεώστε τις με τις δυο βίδες. **(Εικ. 26)**

Ελέγξτε εάν ο στρόφαλος περιστρέφεται ομαλά με ένα ίσιο κατασαβίδι. **(Εικ. 27)**

Τοποθετήστε το έλασμα και το κάτω κάλυμμα στο εργαλείο. Σφίξτε την βίδα γερά.

ΣΗΜΕΙΩΣΗ:

- Δεν υπάρχει διαφοροποίηση μεταξύ της πάνω και της κάτω μεριάς του ελάσματος.

Αφαιρέστε το κάλυμμα των λεπίδων και περιστρέψτε το εργαλείο για να ελέγξετε εάν κινείται κατάλληλα.

ΣΗΜΕΙΩΣΗ:

- Εάν οι λεπίδες κοπής δεν λειτουργούν ομαλά τότε δεν είναι κατάλληλο το ταιρίσματος μεταξύ των λεπίδων και του στρόφαλου. Εκτελέστε ξανά από την αρχή.

Αλλαγή καρβουνακίων (Εικ. 28)

Να αφαιρείτε και να ελέγχετε τακτικά τα καρβουνάκια. Να αντικαθιστάτε τα καρβουνάκια όταν έχουν φθαρεί έως την ένδειξη του ορίου. Να διατηρείτε τα καρβουνάκια καθαρά και ελεύθερα για να γλιστρούν στις υποδοχές. Πρέπει να αλλάζετε ταυτόχρονα και τα δύο καρβουνάκια. Να χρησιμοποιείτε μόνο καρβουνάκια ίδιου τύπου. **(Εικ. 29)**
Τοποθετήστε την άκρη ενός ίσιου κατασαβιδιού μέσα στην εγκοπή του εργαλείου και σηκώστε το κάλυμμα καπακιού υποδοχής για να το βγάλετε. **(Εικ. 30)**

Με τη βοήθεια ενός ίσιου κατασαβιδιού, βγάλτε τα καπάκια υποδοχής για τα καρβουνάκια. Βγάλτε τα φαρμμένα καρβουνάκια, τοποθετήστε τα καινούργια και ασφαλίστε τα καπάκια υποδοχής για τα καρβουνάκια. Τοποθετήστε ξανά το κάλυμμα καπακιού υποδοχής στο εργαλείο.

Αποθήκευση

Η τρύπα του γάντζου στη βάση του καλύμματος των λεπίδων είναι βολική για το κρέμασμα του εργαλείου από ένα καρφί ή μια βίδα στον τοίχο. **(Εικ. 31)**

Αφαιρέστε τη μπαταρία και τοποθετήστε το κάλυμμα των λεπίδων πάνω στις λεπίδες κοπής έτσι ώστε οι λεπίδες να μην είναι εκτεθειμένες. Αποθηκεύστε προσεκτικά το εργαλείο σε χώρο όπου βρίσκεται μακριά από την πρόσβαση των παιδιών.

Αποθηκεύστε το εργαλείο σε ένα χώρο που δεν είναι εκτεθειμένος στο νερό ή στη βροχή.

Για να διατηρείται η ΑΣΦΑΛΕΙΑ και η ΑΞΙΟΠΙΣΤΙΑ του προϊόντος, οι εργασίες επισκευής, καθώς και οποιαδήποτε άλλη εργασία συντήρησης ή ρύθμισης, θα πρέπει να εκτελούνται σε εξουσιοδοτημένα κέντρα εξυπηρέτησης της Makita, και πάντοτε με τη χρήση ανταλλακτικών της Makita.

ΠΡΟΑΙΡΕΤΙΚΑ ΑΞΕΣΟΥΑΡ

ΠΡΟΣΟΧΗ:

- Συνιστάται η χρήση αυτών των αξεσουάρ ή εξαρτημάτων με το εργαλείο της Makita, όπως περιγράφεται στο παρόν εγχειρίδιο. Αν χρησιμοποιήσετε άλλα αξεσουάρ ή εξαρτήματα μπορεί να παρουσιαστεί κίνδυνος για πρόκληση τραυματισμού προσώπων. Να χρησιμοποιείτε τα αξεσουάρ και τα εξαρτήματα μόνο για το σκοπό για τον οποίο προορίζονται.

Αν χρειάζεστε κάποια βοήθεια ή περισσότερες πληροφορίες σχετικά με τα αξεσουάρ αυτά, απευθυνθείτε στο πλησιέστερο κέντρο εξυπηρέτησης της Makita.

- Κάλυμμα λεπίδων
- Συγκρότημα λεπίδων κοπής
- Αυθεντική μπαταρία και φορτιστής της Makita
- Συλλέκτης θραυσμάτων

ΣΗΜΕΙΩΣΗ:

- Ορισμένα από τα στοιχεία της λίστα μπορεί να περιέχονται στην συσκευασία του εργαλείου ως κανονικά αξεσουάρ. Αυτά ενδέχεται να διαφέρουν από χώρα σε χώρα.

TÜRKÇE (Orijinal talimatlar)

Genel görünüm

1. Kırmızı gösterge
2. Düğme
3. Akü
4. Yıldız işareti
5. Akü göstergesi
6. Topuz
7. Muhafaza
8. Açma/kapama düğmesi B
9. Açma/kapama düğmesi A
10. Kilitleme düğmesi
11. Ayar düğmesi
12. Budama yönü
13. Budanacak çit yüzeyi
14. Bıçakları yatırın.
15. Bastırın
16. Atık toplayıcı
17. Somun
18. Budama bıçağı
19. Dal tutucu
20. Kancalar
21. Kancaları yuvaya oturtun
22. Yuvalar
23. Tırnakları her iki tarafından bastırın
24. Çekerek kancaları serbest bırakın
25. Bıçak kapağı
26. Vidalar
27. Alt kapak
28. Plaka
29. Krank
30. Budama bıçağı oval deliği
31. Sınır çizgisi
32. Yuva kapağı
33. Düz uçlu tornavida
34. Fırça yuvası kapağı

TEKNİK ÖZELLİKLER

| Model | DUH551 | DUH651 |
|--|---------------|----------|
| Bıçak uzunluğu | 550 mm | 650 mm |
| Dakikada vuruş sayısı (dak ⁻¹) | 1.000 - 1.800 | |
| Toplam uzunluk | 1.065 mm | 1.135 mm |
| Anma gerilimi | D.C.36V | |
| Net ağırlık | 5,1 kg | 5,2 kg |

- Sürekli yapılan araştırma ve geliştirmelerden dolayı, burada belirtilen özellikler önceden bildirilmeksizin değiştirilebilir.
- Özellikler ve akü ülkeye göre farklılıklar gösterebilir.
- EPTA Prosedürü 01/2003 uyarınca ağırlık (akü dahil)

| Gürültü | Ses basıncı seviyesi | | Ses gücü seviyesi | | İlgili standart veya direktif |
|---------|----------------------|--------------------------|--------------------------|--------------------------|-------------------------------|
| | Model | L _{PA} (dB (A)) | Belirsizlik (K) (dB (A)) | L _{PA} (dB (A)) | |
| DUH551 | 81,5 | 2,1 | 91 | 1,5 | 2000/14/EC |
| DUH651 | 82 | 1,4 | 91,1 | 1,5 | |

- Koruyucu kulaklık takın.

| Titreşim | Model | Bildirilen emisyon (m/san ²) | Belirsizlik K (m/san ²) | İlgili standart veya direktif |
|---------------|-------|--|-------------------------------------|-------------------------------|
| | | | | |
| DUH551/DUH651 | | ≤ 2,5 | 1,5 | EN60745 |

ENG901-1

- Belirtilen titreşim emisyonu değeri, standart test yöntemine göre ölçülmüştür ve makinenin diğer makinelerle karşılaştırılması için kullanılabilir.
- Belirtilen titreşim emisyonu değeri ayrıca maruziyetin ön değerlendirilmesinde de kullanılabilir.

⚠ UYARI:

- Elektrikli aletin gerçek kullanımı sırasında ortaya çıkacak titreşim emisyonu, aletin kullanılma şekline bağlı olarak belirtilen emisyon değerinden farklı olabilir.
- Gerçek kullanım koşullarındaki maruziyeti tahmin ederek (örneğin, aletin açılma süresine ek olarak kapalı konuma getirildiği ve rölatide çalıştığı süreler gibi çalışma döngüsünün tüm bileşenlerini dikkate alın), kullanıcıyı korumak için gerekli güvenlik önlemlerinin alındığından emin olun.

Simgeler

END013-4

Makine için kullanılan simgeler aşağıda gösterilmiştir. Makineyi kullanmaya başlamadan önce bu simgelerin ne anlama geldiğini öğrenin.



.....Kullanım kılavuzunu okuyun.



.....Yağmura maruz bırakmayın.



Cd
Ni-MH
Li-ion

.....Sadece AB ülkeleri için
Elektrik cihazları ve pilleri ev çöplüyle birlikte atmayın!
Elektrikli ve Elektronik Cihaz Atıkları, Piller ve Aküler ve PİL ve Akü Atıkları Hakkındaki Avrupa Yönergeleri ve bunların ulusal kanunlara göre uygulanışı uyarınca kullanım ömrünü tamamlayan elektrikli cihazlar ve piller mutlaka ayrı olarak toplanmalı ve çevre şartlarına uygun bir geri dönüşüm tesisine gönderilmelidir.

Kullanım amacı ENE014-1
Bu makine çitlerin budanması için tasarlanmıştır.

Yalnızca Avrupa ülkeleri için ENH032-3
AT Uygunluk Beyanı
Makita Corporation, sorumlu üretici firma olarak,
Makita marka makine/makineler ile ilgili şu hususları
beyan eder:

Makinenin Adı:
Akülü Çit Budama
Model Numarası/Tipi: DUH551, DUH651
Teknik Özellikler: bkz. "TEKNİK ÖZELLİKLER"
tablosu.

seri üretimidir ve

Şu Avrupa Yönergelerine uygundur:
2000/14/EC, 2006/42/EC

Ve şu standartlara veya standartlaştırılmış belgelere
uygun olarak üretilmiştir:
EN60745

Teknik dokümanlar şu firma tarafından saklanmaktadır:

Makita International Europe Ltd.
Technical Department,
Michigan Drive, Tongwell,
Milton Keynes, Bucks MK15 8JD, İngiltere

2000/14/EC sayılı Direktifte istenen uygunluk
değerlendirme prosedürü, Ek V'e uygundur.

DUH551 Modeli

Ölçülen Ses Gücü Düzeyi: 91,0 dB (A)
Garanti Edilen Ses Gücü Düzeyi: 93 dB (A)

DUH651 Modeli

Ölçülen Ses Gücü Düzeyi: 91,1 dB (A)
Garanti Edilen Ses Gücü Düzeyi: 93 dB (A)

8. 8. 2013



Tomoyasu Kato
Müdür

Makita Corporation
3-11-8, Sumiyoshi-cho,
Anjo, Aichi, 446-8502, JAPAN

Genel Elektrikli Aletler Güvenlik Uyarıları

GEA010-1

⚠ UYARI Tüm güvenlik uyarılarını ve tüm talimatları okuyun. Verilen uyarılara ve talimatlara uyulmaması elektrik çarpmasına, yangına ve/veya ciddi yaralanmalara yol açabilir.

Tüm uyarıları ve talimatları ilerde başvurmak üzere saklayın.

AKÜLÜ ÇİT BUDAMA YLA İLGİLİ GÜVENLİK UYARILARI

GEB062-5

1. Ellerinizi, yüzünüzü vb. kesinlikle kesici bıçağa yaklaştırmayın. Bıçaklar hareket halindeyken kesilen veya kesilecek parçaları almaya veya tutmaya çalışmayın. Tıkanıklıkları temizlemeden önce açma/kapama düğmesinin kapalı konuma

- getirildiğinden emin olun. Çit budama kullanılırken bir anlık dikkatsizlik ciddi yaralanmalara yol açabilir.
2. **Çit budamayı, kesici bıçağı duruktan sonra tutma yerinden tutarak taşıyın. Çit budama taşırken veya saklarken kesici bıçak kapağı mutlaka takılı olmalıdır.** Çit budamanın doğru şekilde taşınması, kesici bıçaklar nedeniyle meydana gelebilecek yaralanmaları önleyecektir.
3. **Kesici bıçak, gizli kablolar temas edebileceğinden makineyi yalnızca yalıtımlı saplarından tutun.** Kesici bıçakların, elektrik akımı bulunan kablolar temas etmesi halinde akım, iletken metal parçalar üzerinden operatöre iletilerek, elektrik çarpmasına yol açabilir.
4. Çit budamayı yağmurlu havalarda veya ıslak veya çok nemli ortamlarda kullanmayın. Elektrik motoru su geçirmez özellikte değildir.
5. Çit budamayı ilk defa kullanacaklar, deneyimli bir çit budama kullanıcısından çit budamanın nasıl kullanılacağını kendisine göstermesini istemelidir.
6. Çit budama kesinlikle çocuklar veya 18 yaşın altındaki gençler tarafından kullanılmamalıdır. Bir uzman gözetimi altında eğitim alan 16 yaşın üstündeki gençler bu kısıtlamanın dışında tutulabilir.
7. Çit budamayı yalnızca fiziksel açıdan iyi durumdayken kullanın. Yorgunsanız, dikkatiniz dağılacaktır. Çalışma gününün sonunda yaklaşık daha dikkatli olun. Tüm işlerinizi sakın ve dikkatli bir şekilde yürütün. Üçüncü taraflarda doğacak tüm hasarlardan kullanıcı sorumlu olacaktır.
8. Çit budamayı kesinlikle alkol, uyuşturucu madde veya ilaçların etkisi altındayken çalıştırmayın.
9. Sert deriden imal edilen iş eldivenleri, çit budamanın temel parçalarından biridir ve mutlaka çalışma süresi boyunca takılmalıdır. Ayrıca, çalışırken altı kaymayan sağlam ayakkabılar giyin.
10. Çalışmaya başlamadan önce, çit budamanın iyi durumda olduğunu ve güvenli çalıştığını kontrol edin. Muhafazaların doğru şekilde takılı olduğundan emin olun. Çit budama tam olarak kurulu değilse kesinlikle kullanılmamalıdır.
11. Çalışmaya başlamadan önce yere sağlam ve dengeli bastığınızdan emin olun.
12. Çalışırken makineyi sağlam şekilde kavrayın.
13. Makineyi gereksiz yere yüksüz çalıştırmayın.
14. Kesici bıçak bir çit demirine veya benzeri sert bir cisme temas ederse, motoru derhal kapatın ve aküyü çıkartın. Kesici bıçakta hasar olup olmadığını kontrol edin ve gerekirse, derhal onarın.
15. Kesici bıçağı kontrol etmeye başlamadan önce, kaçak kontrolü yapın ve varsa kesici bıçağa takılmış yabancı maddeleri temizleyin; bu işlemler sırasında mutlaka çit budamayı kapalı konuma getirin ve aküsünü çıkartın.
16. Herhangi bir bakım çalışması gerçekleştirmeden önce çit budamayı kapalı konuma getirin ve aküsünü çıkartın.
17. Çit budamayı çalışma esnasında veya diğer zamanlarda başka bir yer taşırken, mutlaka aküsünü çıkartın ve kesici bıçaklar üzerindeki kapağı kapalı tutun. Çit budamayı kesinlikle kesici bıçağı hareket halindeyken taşımayın. Kesici bıçağı kesinlikle çıplak elle tutmayın.
18. Her kullanımdan sonra ve uzun süreliğine depoya kaldırmadan önce çit budamayı ve özellikle de kesici

- biçağını temizleyin. Kesici bıçağı hafifçe yağlayın ve kapağını kapatın. Üründe birlikte verilen kapak duvara asılabilir ve böylece çit budama güvenli ve pratik bir şekilde saklanmış olur.
19. Çit budamayı kapağını taktıktan sonra kuru bir yerde saklayın. Çocukların ulaşamayacağı bir yerde saklayın. Çit budamayı kesinlikle açık bir yerde bırakmayın.

BU TALİMATLARI SAKLAYIN.

⚠ UYARI:

Ürünü kullanırken defalarca kullanmanın getirdiği rahatlık ve tanıdıklık duygusunun, güvenlik kurallarına sıkı sıkıya bağlı kalmanızı önlemesine İZİN VERMEYİN. YANLIŞ KULLANIM veya bu kullanım kılavuzunda belirtilen güvenlik kurallarına uyulmaması ciddi yaralanmalara neden olabilir.

ÖNEMLİ GÜVENLİK TALİMATLARI

ENC007-8

AKÜ İÇİN

1. Aküyü kullanmaya başlamadan önce (1) akü şarj cihazı, (2) akü ve (3) akünün takıldığı ürüne ilişkin tüm talimatları ve uyarıları okuyun.
2. Aküyü sökmeye çalışmayın.
3. Çalışma süresinde önemli bir kısıalma gözlerseniz, hemen çalışmayı bırakın. Bu durum aşırı ısınmaya, yangına ve hatta patlamaya yol açabilir.
4. Elektrolit (akü sıvısı) gözlerinize temas ederse, bol temiz suyla yıkayın ve derhal bir doktora başvurun. Elektrolit körlüğe neden olabilir.
5. Akünün kısa devre yapmasını önleyin:
 - (1) Herhangi bir iletken nesne ile akü uçlarına dokunmayın.
 - (2) Aküyü çivi, madeni para vb. metal nesnelerin bulunduğu bir yerde saklamayın.
 - (3) Aküyü suya veya yağmura maruz bırakmayın. Aküde oluşan kısa devre büyük bir elektrik akımına, aşırı ısınmaya, yangına ve aletin bozulmasına yol açabilir.
6. Aleti ve aküyü 50°C (122°F) sıcaklığa ulaşabilecek veya bu değeri aşabilecek ortamlarda saklamayın.
7. Önemli ölçüde hasar görmüş veya tümüyle tükenmiş olsa da aküyü kesinlikle yakarak imha etmeye çalışmayın. Akü ateşe atıldığında patlayabilir.
8. Akünün düşmemesine ve darbe almamasına dikkat edin.
9. Hasarlı bir aküyü kesinlikle kullanmayın.
10. Akünün atılması sırasında ilgili yönetmeliklere uyun.

BU TALİMATLARI SAKLAYIN.

Akünün öngörülen maksimum ömrü dolana kadar kullanılması için öneriler

1. Aküyü tamamen boşalmasını beklemeden şarj edin.
Aletin çalışma gücünde bir azalma gördüğünüzde, mutlaka çalışmayı bırakıp, aküyü şarj edin.

2. Tam olarak şarj edilmiş bir aküyü tekrar şarj etmeyin.
Akünün normalden fazla şarj edilmesi ömrünü kısaltır.
3. Aküyü 10°C - 40°C (50°F - 104°F) değerlerini aşmayan oda sıcaklığında şarj edin. Akü ısınmışsa, şarj etmeden önce soğumasını bekleyin.
4. Makineyi uzun bir süre kullanmayacaksınız bile, aküsünü her altı ayda bir şarj edin.

KULLANIMA İLİŞKİN TANIMLAR

⚠ DİKKAT:

- Makine üzerinde ayar veya başka bir kontrol işlemi gerçekleştirilmeden önce makinenin kapalı ve aküsünün çıkartılmış olduğundan emin olun.

Akünün takılması ve çıkartılması (Şekil 1)

⚠ DİKKAT:

- Aküyü takmadan ve çıkarmadan önce mutlaka makineyi kapalı konuma getirin.
 - Aküyü takarken ve çıkartırken makineyi ve aküyü sıkıca tutun. Aksi takdirde, makine ve akü elinizden kayarak düşebilir ve neticesinde makine ve akü hasarları ve yaralanmalar meydana gelebilir.
- Aküyü çıkarmak için akünün ön tarafında bulunan düğmeye bastırın ve aküyü çekerek makineden çıkartın. Aküyü takmak için aküdeki dili muhafazadaki yuvaya aynı hizaya getirin ve aküyü iterek yerine oturtmasını sağlayın. Akünün tam yerine oturduğunu klik sesinden anlayabilirsiniz. Düğmenin üst tarafında bulunan kırmızı göstergelyi görüyorsanız, akü tam olarak kilitlememiştir.

⚠ DİKKAT:

- Kırmızı gösterge tamamen kayboluncaya kadar aküyü itin. Aksi takdirde, akü makineden kayıp düşebilir ve operatörün veya çevredeki kişilerin yaralanmasına neden olabilir.
- Aküyü zorlayarak takmaya çalışmayın. Akünün makineye rahatça takılamaması, yanlış takıldığını gösterir.

NOT:

- Makine tek bir aküyle çalışmaz.

Makine/akü koruma sistemi

Bu makinede bir makine/akü koruma sistemi mevcuttur. Bu sistem, makine ve akü ömrünü uzatmak için motora beslenen gücü otomatik olarak keser. Makine veya akü için aşağıda sıralanan durumlardan birinin geçerli olması halinde, çalışmayı otomatik olarak durdurur. Bazı durumlarda, göstergeler sabit yanar.

Aşırı yük koruması

Makine, anormal yüksek derecede akım çekecek şekilde çalışmaya başladığında, makine hiçbir uyarıda bulunulmaksızın otomatik olarak durdurulur. Böyle bir durumda, makineyi kapalı konuma getirin ve makinenin aşırı yüklenmesine neden olan uygulamayı durdurun. Ardından, yeniden başlatmak üzere makineyi tekrar açık konuma getirin.

Makine/akü için aşırı ısınma koruması

Makine/akü aşırı ısındığında, makine hiçbir uyarıda bulunmaksızın otomatik olarak durdurulur. Açma/kapama düğmesine basılsa dahi, makine çalışmaz. Böyle bir durumda, makineyi tekrar açık konuma getirmeden önce makinenin/akünün soğumasını bekleyin.

NOT:

Akü aşırı ısınma koruması yalnızca üzerinde yıldız işareti bulunan akülerle çalışır. (Şekil 2)

Aşırı deşarj koruması (Şekil 3)

Kalan pil kapasitesi düştüğünde, akü göstergesi ilgili akü tarafında yanıp sönmeye başlar. Makine, kullanılmaya devam edilmesi halinde durur ve akü göstergesi yaklaşık 10 saniye boyunca sabit yanar. Bu durumda aküyü şarj edin.

Sapın sabitlenebileceği konumlar

⚠ DİKKAT:

- Çalışmaya başlamadan önce mutlaka sapın istenen konumda kilitletiğinden emin olun. (Şekil 4) İşlemlere bağlı olarak, sap açısını sol veya sağ tarafta 45° veya 90° konumuna ayarlayabilirsiniz. Sapı çevirmek için, topuzu çekin ve sapı şekilde gösterildiği şekilde çevirin. Sap 45° konumunda kilitletir. Sapı 90° konumuna çevirmek için, topuzu tekrar çekin ve sapı çevirmeye devam edin.

Açma/kapama işlemi

⚠ DİKKAT:

- Aküyü makineye takmadan önce, açma/kapama düğmesinin kususuz çalışıp çalışmadığını ve açma/kapama düğmesi bırakıldığında "OFF" (kapalı) konumuna dönüp dönmediğini mutlaka kontrol edin. (Şekil 5)

Güvenliğiniz için makinede bir ikili açma/kapama sistemi bulunmaktadır. Makineyi açık konuma getirmek için, kilitleme düğmesine basın ve açma/kapama düğmesi A ve B'ye basın. Makineyi kapatmak için ise açma/kapama düğmelerinden birini serbest bırakın. Makine yalnızca her iki açma/kapama düğmesine aynı anda basıldığında çalışır.

Devir değiştirme (Şekil 6)

Dakikada darbe sayısı, ayar düğmesi çevirilerek ayarlanabilir. Bu işlem makine çalışırken de yapılabilir. Düşmede 1 (en düşük hız) ile 6 (tam hız) arasında rakamlar mevcuttur. Ayar düğmesi üzerindeki rakamlar ile dakikada darbe sayısı arasındaki ilişki için aşağıdaki tabloya bakın.

| Ayar düğmesi üzerindeki rakam | Dakikada vuruş sayısı (dak ⁻¹) |
|-------------------------------|--|
| 6 | 1.800 |
| 5 | 1.750 |
| 4 | 1.650 |
| 3 | 1.500 |
| 2 | 1.300 |
| 1 | 1.000 |

⚠ DİKKAT:

- Devir ayar düğmesi, 6 konumuna kadar yükseltilebilir ve geri 1 konumuna düşürülebilir. Düğmeyi 6 konumunun üzerine ve 1 konumunun altına zorlamayın, aksi takdirde devir ayar işlevi doğru çalışmayabilir.
- Dakikada darbe sayısı, akünün ve budama bıçaklarının durumuna göre değişir.

ÇALIŞTIRMA

⚠ DİKKAT:

- Budama sırasında makinenin, çit demirine veya benzeri sert bir objeye temas etmemesine dikkat edin. Aksi takdirde, bıçak kırılarak ciddi yaralanmalara yol açabilir.
- Özellikle de merdiven üzerindeyken çit budamayla ileri uzanmaya çalışmak çok tehlikelidir. Kesinlikle sallanan veya sabit olmayan platformlar üzerinde çalışmayın. (Şekil 7)

Bu çit budamayla çapı 10 mm'den büyük dal parçalarını kesmeye çalışmayın. Bu tür dal parçaları öncelikle makas kullanılarak çit budama seviyesine indirilmelidir.

⚠ DİKKAT:

- Ölü ağaç parçaları veya benzeri sert objeleri kesmeye çalışmayın. Aksi takdirde, makine hasar görebilir. (Şekil 8)

Çit budamaya her iki elinizle kavradıktan sonra açma/kapama düğmesi A veya B'ye basın ve makineyi vücudunuzun önünde tutun. (Şekil 9)

Temel bir çalışma ilkesi olarak, bıçakları budama yönüne eğimli tutun ve makineyi, 3 ila 4 saniyede bir metre budayacak bir hızda sakın ve yavaş bir şekilde hareket ettirin. (Şekil 10)

İstenen çit yüksekliğine bir ip bağlanması ve budama işleminin bu ip referans alınarak gerçekleştirilmesi çitin üst kısmının eşit uzunlukta kesilmesine yardımcı olur. (Şekil 11)

Çitler düz budanırken makineye bir artık toplayıcının (opsiyonel aksesuar) takılması, kesilen yaprakların etrafı dağılmasını önleyebilir. (Şekil 12)

Çalışmaya başlamadan önce sapın konumunu rahat çalışabilecek şekilde ayarlayın. Bunun için, "Sapın sabitlenebileceği konumlar" başlıklı bölüme bakın. Çitin yan kısmının eşit uzunlukta kesilmesi için, aşağıdan yukarıya doğru çalışılması yararlı olabilir. (Şekil 13) Çalı veya orman güllerini alttan yukarı doğru budayarak hoş bir görünüm elde edebilirsiniz.

Atık toplayıcının (opsiyonel aksesuar) takılması ve sökülmesi

⚠ DİKKAT:

- Atık toplayıcıyı takıp çıkarmadan önce makinenin kapalı ve aküsünün çıkarılmış olduğundan emin olun.

NOT:

- Atık toplayıcıyı değiştirirken daima eldiven takın, böylece elleriniz ve yüzünüz bıçakla doğrudan temas etmeyecektir. Aksi takdirde, yaralanmalar meydana gelebilir.
- Atık toplayıcıyı takmadan önce, bıçak kapağının çıkartıldığından emin olun.

- Atık toplayıcı, kesilen yaprakları toplar ve böylece yaprakların etrafına saçılmasını azaltır. Makinenin her iki tarafına da takılabilir. **(Şekil 14)**

Atık toplayıcıyı, boşluk kısımları budama bıçakları üzerindeki somunlara karşılık gelecek şekilde budama bıçaklarına bastırın. Bu sırada atık toplayıcının budama bıçakları üzerindeki dal tutucuyla temas etmediğinden emin olun. **(Şekil 15)**

Atık toplayıcı, kancaları budama bıçağı tertibatı üzerindeki yuvalara oturacak şekilde takılmalıdır. **(Şekil 16)**

Atık toplayıcıyı çıkarmak için, her iki tarafındaki tırnağına bastırarak kancaların serbest kalmasını sağlayın.

(Şekil 17)

⚠ DİKKAT:

- Bıçak kapağı ile atık toplayıcı aynı anda takılamaz. Makineyi taşımadan veya depoya kaldırmadan önce, atık toplayıcıyı çıkartın ve ardından, bıçağın açıkta kalmaması için bıçak kapağını takın.

NOT:

- Kullanmaya başlamadan önce, atık toplayıcının sağlam şekilde takıldığını kontrol edin.
- Kancalar bıçak tertibatı yuvalarına takılıyken kesinlikle aşırı kuvvet kullanarak atık toplayıcıyı çıkarmaya çalışmayın. Aşırı kuvvet uygulanması, hasar verebilir.

BAKIM

⚠ DİKKAT:

- Makinede herhangi bir kontrol veya bakım işlemine başlamadan önce makinenin kapalı ve aküsünün çıkartılmış olduğundan emin olun.
- Kesinlikle gazolin, benzin, tiner, alkol veya benzeri bir madde kullanmayın. Aksi takdirde renk bozulması, deformasyon veya çatlaklar meydana gelebilir.

Makinenin temizlenmesi

Makine üzerindeki tozları kuru veya sabunlu bezle temizleyin.

Bıçak bakımı

Kullanmaya başlamadan önce ve her saat başı bıçağı makine yağı veya muadili bir yağla tamamen yağlayın.

NOT:

- Bıçağı yağlamadan önce, atık toplayıcıyı çıkartın. Çalışma sonunda, bıçağın her iki tarafındaki tozları bir tel fırça yardımıyla temizleyin, bıçağı bir bezle silin ve ardından makine yağı veya sprey tipi yağlama yağı gibi düşük viskoziteli bir yağla iyice yağlayın.

⚠ DİKKAT:

- Bıçakları suda yıkamayın. Aksi takdirde, makine paslanabilir veya hasar görebilir.

Budama bıçağının sökülmesi ve takılması

⚠ DİKKAT:

- Budama bıçaklarını takip çıkarmadan önce mutlaka makinenin kapalı ve aküsünün çıkartılmış olduğundan emin olun.
- Budama bıçağını değiştirirken, bıçak kapağını açmadan önce mutlaka koruyucu eldiven takın, böylece elleriniz ve yüzünüzün doğrudan bıçağa temas

etmesini önlemiş olursunuz. Aksi takdirde, yaralanmalar meydana gelebilir.

NOT:

- Dişli ve kranktaki gresi silmeyin. Aksi takdirde, makine hasar görebilir.
- Budama bıçaklarının farklı şekilde çıkartılması ve takılmasıyla ilgili bilgi için, budama bıçağı aksesuarının paketinin arkasına bakın.

Budama bıçaklarının çıkartılması

Makineyi ters çevirin ve dört vidayı gevşetin. **(Şekil 18)**

NOT:

- Budama bıçağı hareket alanına gres uygulandıktan, ellerinizin kirlenmemesine dikkat edin.

Alt kapağı çıkartın. **(Şekil 19)**

Plakayı çıkartın. **(Şekil 20)**

Krankı düz uçlu bir tornavida kullanarak şekilde gösterildiği gibi ayarlayın. **(Şekil 21)**

Budama bıçaklarını tutan iki vidayı sökün; ardından budama bıçağı ünitesi çıkacaktır. **(Şekil 22)**

⚠ DİKKAT:

- Dişliyi, daha önce takıldığı gibi yanlışlıkla çıkmayacak şekilde başlangıçtaki konumuna geri getirin.

Budama bıçaklarının takılması

Çıkartılan 4 adet vidayı (Alt kapak için), 2 vidayı (Budama bıçağı için), plakayı, alt kapağı ve yeni budama bıçaklarını hazırlayın.

Krank konumunu şekilde gösterildiği gibi ayarlayın. Bu sırada krank çevresine yeni budama bıçaklarıyla birlikte verilen gresten bir miktar uygulayın. **(Şekil 23)** Üst bıçaktaki oval deliği alt bıçaktaki delikle aynı hizaya getirin. **(Şekil 24)**

Eski budama bıçaklarındaki bıçak kapağını çıkartın ve bıçakların değiştirilmesi sırasında rahat hareket etmek için yeni budama bıçaklarına takın. **(Şekil 25)**

Yeni budama bıçaklarını, üzerindeki oval delikler kranka tam olarak oturacak şekilde makineye yerleştirin. Budama bıçakları üzerindeki delikleri makine üzerindeki vida delikleriyle aynı hizaya getirin ve ardından kesici bıçakları iki vidayla sabitleyin. **(Şekil 26)**

Düz uçlu bir tornavida ile krankın sorunsuz çalışıp çalışmadığını kontrol edin. **(Şekil 27)**

Plakayı ve alt kapağı makineye takın. Vidayı sağlam şekilde sıkın.

NOT:

- Plakanın üstü ile altı arasında bir fark yoktur. Bıçak kapağını çıkartın ve ardından doğru hareket ettiğinden emin olmak için makineyi çalıştırın.

NOT:

- Budama bıçakları doğru şekilde çalışmıyorsa, bıçaklar ile krank birbirine tam olarak oturmamış olabilir. Bu durumda işlemleri baştan tekrarlayın.

Karbon fırçaların değiştirilmesi (Şekil 28)

Karbon fırçaları düzenli olarak çıkartın ve kontrol edin.

Sınır çizgisine kadar aşınan karbon fırçaları değiştirin.

Karbon fırçaları yuvanın içinde kayabileceği şekilde temiz tutun. Her iki karbon fırça aynı anda değiştirilmelidir.

Aşınan karbon fırçaları mutlaka aynı tipte fırçalar ile değiştirin. **(Şekil 29)**

Düz uçlu bir tornavidayı makine üzerindeki girintiye yerleştirerek yuva kapağını kaldırın. **(Şekil 30)**
Fırça yuvası kapaklarını açmak için düz uçlu bir tornavida kullanın. Aşınmış karbon fırçaları çıkartın ve yenilerini taktıktan sonra fırça yuvası kapaklarını geri vidalayın. Yuva kapağını tekrar yerine takın.

Saklama

Bıçak kapağının altındaki kanca deliği makinenin duvardaki bir çiviye veya vidaya asılması için uygundur.

(Şekil 31)

Aküyü çıkartın ve budama bıçaklarının açıkta kalmaması için kapaklarını kapatın. Makineyi çocukların ulaşmayacağı bir yere dikkatlice kaldırın.

Makineyi suya veya yağmura maruz kalmayacağı bir yerde saklayın.

Ürünün EMNİYETLİ ve GÜVENİLİR durumda kalmasını sağlamak için tüm onarımlar, bakım ve ayarlar Makita yetkili servisleri veya fabrika servis merkezleri tarafından Makita yedek parçaları kullanılarak yapılmalıdır.

OPSİYONEL AKSESUARLAR

⚠ DİKKAT:

- Bu kullanım kılavuzunda tanımlan Makita marka makineyle aşağıdaki aksesuarların ve parçaların kullanılması önerilir. Bunların dışında başka aksesuarların veya parçaların kullanılması yaralanmalara yol açabilir. Aksesuarlar ve parçalar doğru şekilde ve öngöröldükleri işlevler için kullanılmalıdır.

Aksesuarlara ilişkin daha ayrıntılı bilgi almak için size en yakın yetkili Makita servisine başvurabilirsiniz.

- Bıçak kapağı
- Budama bıçağı tertibatı
- Orijinal Makita akü ve şarj cihazı
- Atık toplayıcı

NOT:

- Listedeki bazı parçalar makineyle birlikte standart aksesuar olarak verilebilir. Ürünle verilen aksesuarlar ülkeden ülkeye farklılıklar gösterebilir.

Makita Corporation

Anjo, Aichi, Japan