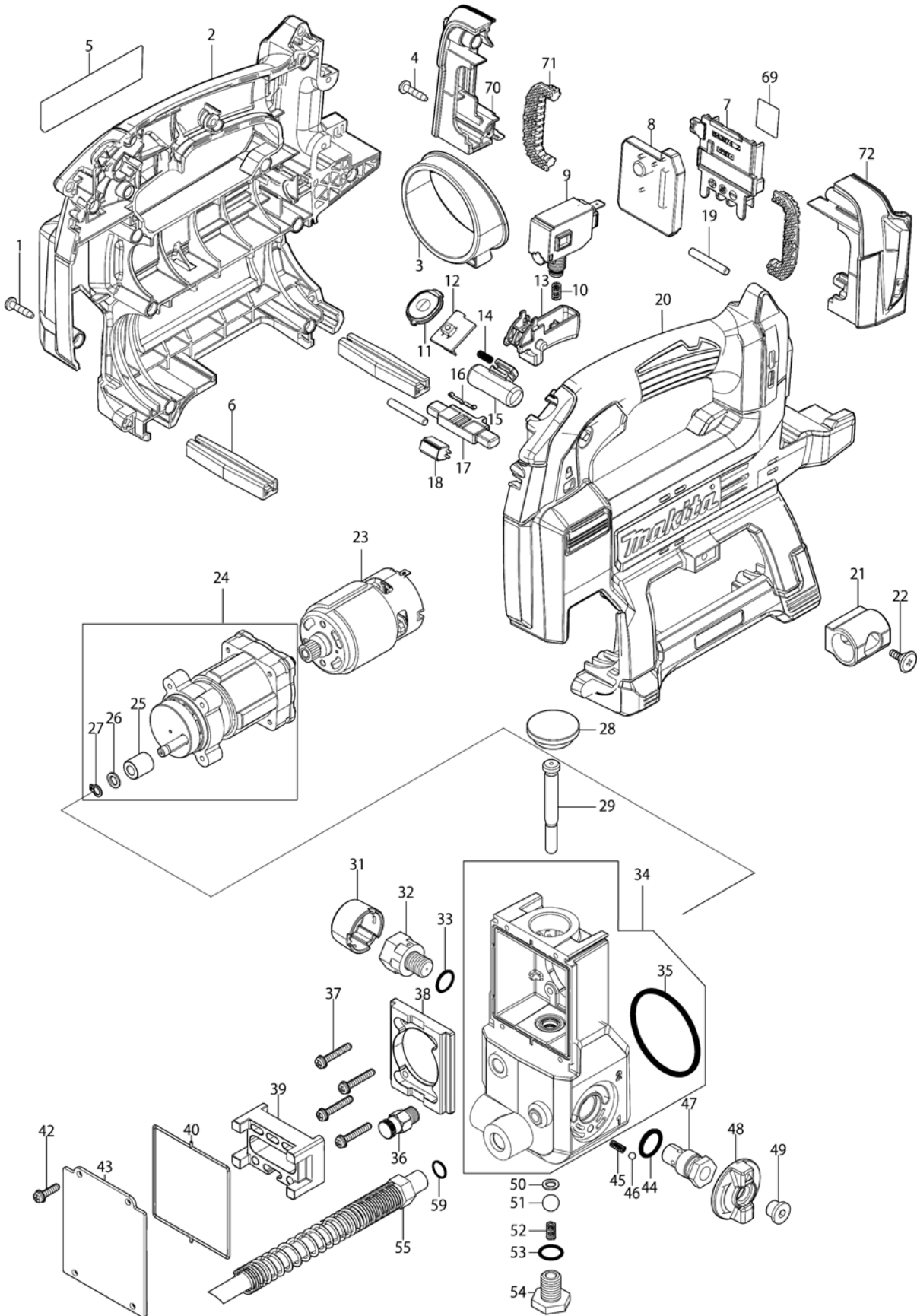
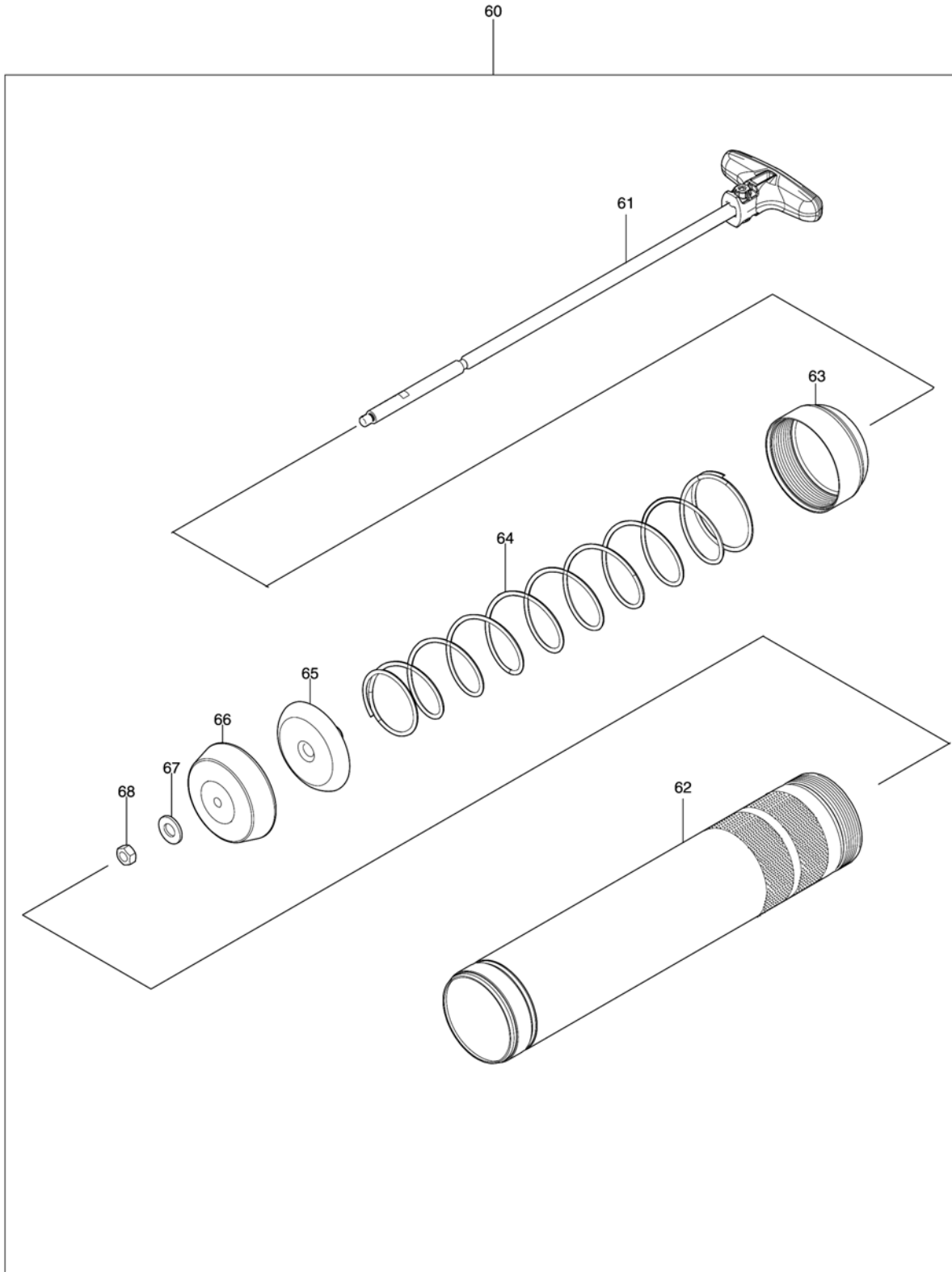


Model No.DGP180 CORDLESS GREASE GUN



Model No.DGP180 CORDLESS GREASE GUN



Model No.DGP180 CORDLESS GREASE GUN

Artikel	Onderdelenummer	Omschrijving	I/C	Aantal	New/Old	Optie 1	Optie 2	Notitie
001	265995-6	TAPPING SCREW 4X18		13				
002	183R38-9	HOUSING SET		1				
C10	263002-9	RUBBER PIN 4		2				
C20	252126-6	HEX. LOCK NUT M4-7		2				
D10		INC. 20						
003	459621-9	BARREL HOLDER		1				
004	265995-6	TAPPING SCREW 4X18		2				
005	856C52-5	DGP180 NAME PLATE		1				
006	422479-9	FOOT		2				
007	644809-6	TERMINAL		1				
008	620A88-6	CONTROLLER		1				
C10	688164-6	LINE FILTER		1				
009	651391-8	SWITCH C3JW-6BM-PN		1				
010	233306-3	COMPRESSION SPRING 4		1				
011	140M75-6	SWITCH PLATE COMPLETE		1				
C10	819V26-1	SWITCH LABEL		1				
012	620A89-4	SWITCH CIRCUIT		1				
013	459623-5	SWITCH LEVER		1				
014	231433-0	COMPRESSION SPRING 4		1				
015	419705-5	LOCK ON BUTTON		1				
016	232201-4	LEAF SPRING		1				
017	459624-3	LOCK OFF BUTTON		1				
018	620A90-9	LED CIRCUIT		1				
019	268306-4	PIN 5		2				
020	183R38-9	HOUSING SET		1				
C10	263002-9	RUBBER PIN 4		2				
C20	252126-6	HEX. LOCK NUT M4-7		2				
D10		INC. 2						
021	422643-2	HOSE HOLDER		1				
022	265B56-4	+FLAT HEAD SCREW M4X14		1				
023	629387-7	DC MOTOR		1				
024	136124-7	GEAR ASSEMBLY		1				
D10		INC. 25-27						
025	214079-7	PLANE BEARING 6		1				
026	253477-0	FLAT WASHER 6		1				
027	961002-0	RETAINING RING S-6		1	*			
027-1	961022-4	RETAINING RING (EXT) ROUND S-6	O	1				
028	286043-8	CAP 32		1				
029	256951-7	SHOULDER PIN 7-8		1				
031	459622-7	VALVE COVER		1				
032	140M83-7	RELIEF VALVE COMPLETE		1				
033	213918-8	O-RING 12.5		1				

Please order the parts with part number.

Print Date 7/9/2020

Model No.DGP180 CORDLESS GREASE GUN

Artikel	Onderdelenummer	Omschrijving	I/C	Aantal	New/Old	Optie 1	Optie 2	Notitie
034	136128-9	PUMP HOUSING ASSY		1				
C10	265A55-0	H.S.SET SCREW(FLAT POINT)NPT1/		1				
D10		INC. 35						
035	422476-5	RUBBER PACKING A		1				
036	162667-3	DRAIN VALVE		1				
037	911148-2	PAN HEAD SCREW M4X25		4				
038	310961-9	SLIDER GUIDE		1				
039	310960-1	SLIDER		1				
040	422480-4	SEAL RING		1				
042	911128-8	P.H.SCREW M4X16 WITH WR		4				
043	347546-8	PUMP COVER		1				
044	213182-1	O RING 14		1				
045	233151-6	COMPRESSION SPRING 4		1				
046	216008-6	STEEL BALL 4		1				
047	140M82-9	CHANGE VALVE COMPLETE		1				
048	459620-1	THUMB		1				
049	265A57-6	HEX. SOCKET HEAD BOLT M10X7		1				
050	257494-2	RING 8		1				
051	216003-6	STEEL BALL 10		1				
052	232557-5	COMPRESSION SPRING 4		1				
053	213918-8	O-RING 12.5		1				
054	265A56-8	HEX BOLT M12X16		1				
055	191A79-9	FLEXIBLE HOSE 1200 SET		1				
C10	162662-3	ADAPTER		1				
059	213054-0	O RING 9		1				
060	191B12-7	BARREL ASSEMBLY A SET		1				
D10		INC. 61-68						
061	140T28-7	SHAFT COMPLETE		1				
C10	459619-6	LEVER		1				
C20	951116-3	SPRING PIN 4-20		1				
062	327379-7	BARREL A		1				
063	347543-4	CAP A		1				
064	232684-8	CONICAL SPRING		1				
065	413459-6	PLATE A		1				
066	422685-6	RUBBER SEAL A		1				
067	253494-0	FLAT WASHER 8		1				
068	931302-2	HEX. NUT M6		1				
069	856C61-4	DGP180 SERIAL NO. LABEL		1				
070	187303-0	BATTERY HOUSING SET		1				
D10		INC. 72						
071	424473-7	CUSHION RUBBER		2				

Model No.DGP180 CORDLESS GREASE GUN

Artikel	Onderdelenummer	Omschrijving	I/C	Aantal	New/Old	Optie 1	Optie 2	Notitie
072	187303-0	BATTERY HOUSING SET		1				
D10		INC. 70						
A01	166094-6	SHOULDER BELT		1				
A02B	821840-1	PLASTIC CARRYING CASE		1				
C10	162271-8	LATCH		2				
A03B	***DC18RC	DC18RC FAST CHARGER		1				
D10		COMPO-PARTS						
A04B	197280-8	BATTERY BL1850B SET		1				

Please order the parts with part number.

Print Date 7/9/2020