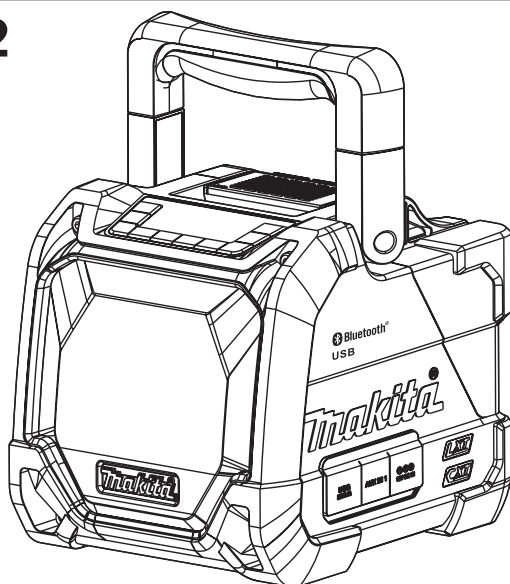


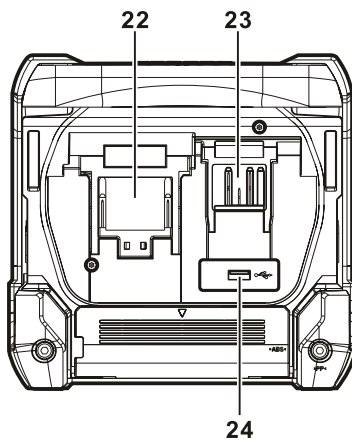
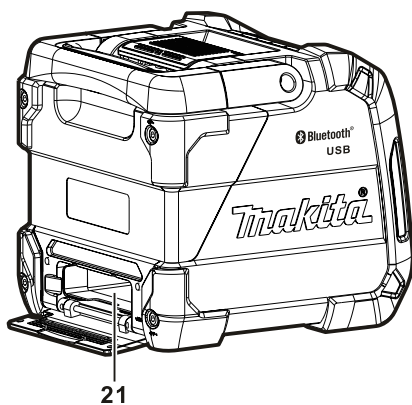
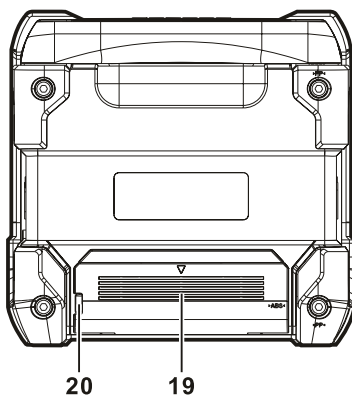
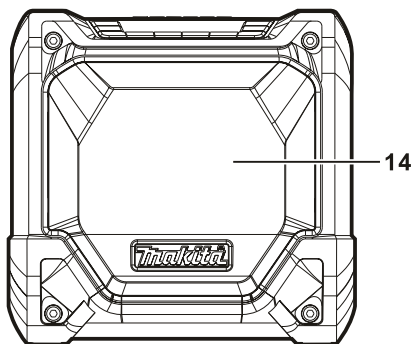
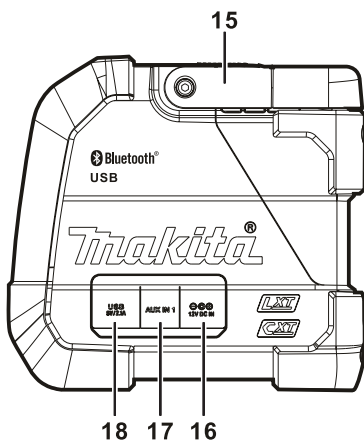
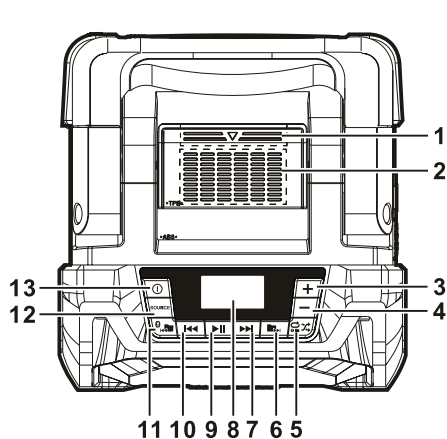


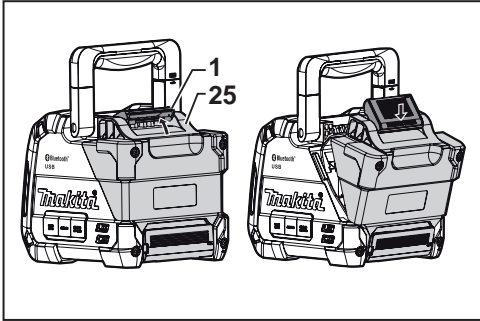
EN	Cordless Job Site Speaker	Instruction manual	3
FR	Enceinte de chantier sans fil	Manuel d'utilisation	10
DE	Kabelloser Lautsprecher	Bedienungsanleitung	17
IT	Altoparlante da Cantiere Senza Fili	Manuale delle istruzioni	24
NL	Draadloze werkluidspreker	Handleiding	31
ES	Altavoz Inalámbrico de Trabajo	Manual de instrucciones	38
PT	Alto-Falante Portátil a Bateria para Ambientes de Trabalho	Manual de instruções	45
DA	Trådløs højttaler til arbejdspladser	Brugsanvisning	52
EL	Ασύρματο ηχείοεργοτάξιου	Εγχειρίδιο οδηγίων	59
TR	Kablosuz Şantiye Hoparlörü	Kullanma Kilavuzu	66
ZHHK	揚聲器	說明書	73
VI	LOA CHẠY PIN DÙNG Ở CÔNG TRƯỜNG	TÀI LIỆU HƯỚNG DẪN	80

## DMR202

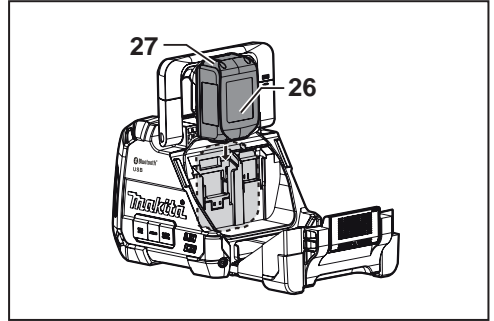


# Explanation of general view

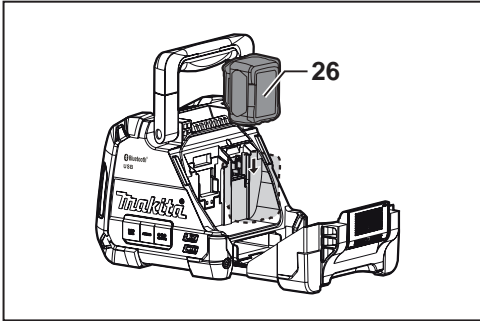




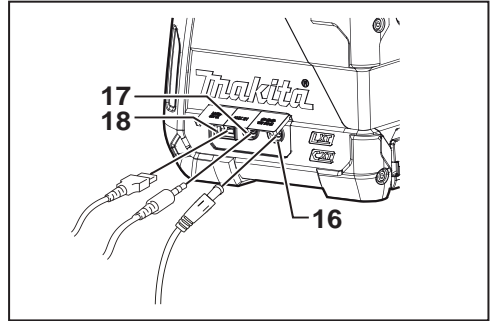
2



3



4



5

## ENGLISH (Original instructions)

### Symbols

The following show the symbols used for the equipment. Be sure that you understand their meaning before use.



Read instruction manual.



Only for EU countries

Do not dispose of electric equipment or battery pack together with household waste material! In observance of the European Directives, on Waste Electric and Electronic Equipment and Batteries and Accumulators and Waste Batteries and Accumulators and their implementation in accordance with national laws, electric equipment and batteries and battery pack(s) that have reached the end their life must be collected separately and returned to an environmentally compatible recycling facility.

## IMPORTANT SAFETY INSTRUCTIONS

### ⚠ WARNING:

When using electric tools, basic safety precautions should always be followed to reduce the risk of fire, electric shock, and personal injury, including the following:

1. Read this instruction manual and the charger instruction manual carefully before use.
2. Clean only with dry cloth.
3. Do not install near any heat sources such as radiators, heat registers, stoves, or other apparatus (including amplifiers) that produce heat.
4. Only use attachments/accessories specified by the manufacturer.
5. Unplug this apparatus during lightning storms or when unused for long periods of time.
6. A battery operated speaker with integral batteries or a separate battery pack must be recharged only with the specified charger for the battery. A charger that may be suitable for one type of battery may create a risk of fire when used with another battery.
7. Use battery operated speaker only with specifically designated battery packs. Use of any other batteries may create a risk of fire.
8. When battery pack is not in use, keep it away from other metal objects like: paper clips, coins, keys, nails, screws, or other small metal objects that can make a connection from one terminal to another. Shorting the battery terminals together may cause sparks, burns, or a fire.
9. Avoid body contact with grounded surfaces such as pipes, radiators, ranges and refrigerators. There is an increased risk of electric shock if your body is grounded.
10. Under abusive conditions, liquid may be ejected from the battery; avoid contact. If contact accidentally occurs, flush with water. If liquid contacts eyes, additionally seek medical help. Liquid ejected from the battery may cause irritation or burns.
11. Do not use a battery pack or tool that is damaged or modified. Damaged or modified batteries may exhibit

unpredictable behaviour resulting in fire, explosion or risk of injury.

12. Do not expose a battery pack or tool to fire or excessive temperature. Exposure to fire or temperature above 130 °C may cause explosion.
13. Follow all charging instructions and do not charge the battery pack or tool outside the temperature range specified in the instructions. Charging improperly or at temperatures outside the specified range may damage the battery and increase the risk of fire.
14. The MAINS plug is used as the disconnect device, and it shall remain readily operable.
15. Do not use the product at a high volume for any extended period. To avoid hearing damage, use the product at moderate volume level.
16. (For products with LCD display only) LCD displays include liquid which may cause irritation and poisoning. If the liquid enters the eyes, mouth or skin, rinse it with water and call a doctor.
17. Do not expose the product to rain or wet conditions. Water entering the product will increase the risk of electric shock.
18. This product is not intended for use by persons (including children) with reduced physical, sensory or mental capabilities, or lack of experience and knowledge, unless they have been given supervision or instruction concerning use of the product by a person responsible for their safety. Children should be supervised to ensure that they do not play with the product. Store the product out of the reach of children.

## SAVE THESE INSTRUCTIONS

### SPECIFIC SAFETY RULES

#### FOR BATTERY CARTRIDGE

1. Before using battery cartridge, read all instructions and cautionary markings on (1) battery charger, (2) battery, and (3) product using battery.
2. Do not disassemble battery cartridge.
3. If operating time has become excessively shorter, stop operating immediately. It may result in a risk of overheating, possible burns and even an explosion.
4. If electrolyte gets into your eyes, rinse them out with clear water and seek medical attention right away. It may result in loss of your eyesight.
5. Do not short the battery cartridge:
  - (1) Do not touch the terminals with any conductive material.
  - (2) Avoid storing battery cartridge in a container with other metal objects such as nails, coins, etc.
  - (3) Do not expose battery cartridge to water or rain. A battery short can cause a large current flow, overheating, possible burns and even a breakdown.
6. Do not store the tool and battery cartridge in locations where the temperature may reach or exceed 50 °C (122°F).
7. Do not incinerate the battery cartridge even if it is severely damaged or is completely worn out. The battery cartridge can explode in a fire.
8. Be careful not to drop or strike battery.
9. Do not use a damaged battery.

- To avoid risk, the manual of replaceable the battery should be read before use. And the max discharging current of the battery should be greater than or equal to 8A.
- The contained lithium-ion batteries are subject to the Dangerous Goods Legislation requirements. For commercial transports e.g. by third parties, forwarding agents, special requirement on packaging and labeling must be observed.

For preparation of the item being shipped, consulting an expert for hazardous material is required. Please also observe possibly more detailed national regulations. Tape or mask off open contacts and pack up the battery in such a manner that it cannot move around in the packaging.

- Follow your local regulations relating to disposal of battery.
- Use the batteries only with the products specified by Makita. Installing the batteries to non-compliant products may result in a fire, excessive heat, explosion, or leak of electrolyte.

**⚠ CAUTION:**

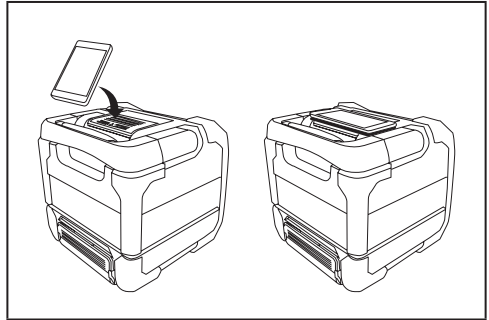
- Danger of explosion if battery is incorrectly replaced.
- Replace only with the same or equivalent type.
- Only use genuine Makita batteries. Use of non-genuine Makita batteries, or batteries that have been altered, may result in the battery bursting causing fires, personal injury and damage. It will also void the Makita warranty for the Makita tool and charger.

**Tips for maintaining maximum battery life**

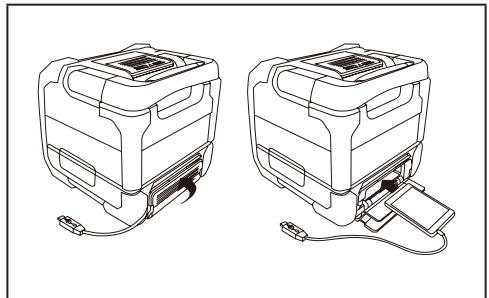
- Charge the battery cartridge before completely discharged. Always stop tool operation and charge the battery cartridge when you notice less tool power.
- Never recharge a fully charged battery cartridge. Overcharging shortens the battery service life.
- Charge the battery cartridge with room temperature at 10 °C - 40 °C (50 °F - 104 °F). Let a hot battery cartridge cool down before charging it.
- Charge the battery cartridge if you do not use it for a long period (more than six months).

**Explanation of general view (Fig.1)**

- Battery compartment locker
- Mobile (Cell phone) placing panel



- Volume up button
- Volume down button
- Play mode button
- Next folder button
- Next track button/Fast-forward button
- LCD display
- Play/Pause button
- Previous track button/ Rewind button
- Previous folder button/ Bluetooth pairing button
- Source button
- Power button
- Speaker
- Handle
- DC in socket
- Auxiliary input socket
- USB charging socket
- Mobile storage cabinet cover
- Cable hole
- Mobile (Cell phone) storage cabinet



- 14.4 V/18V battery terminal
- 10.8 V-12Vmax battery terminal
- USB playback socket
- Battery cover
- Battery cartridge
- Button

## Power

The speaker can be powered by Makita battery packs or a standard wall outlet.

## Power by battery

When "LOW BATTERY" is shown on the display, please replace the battery.  
The following table indicates the operating time on a single charge.

Battery Capacity	Battery Cartridge Voltage			AT SPEAKER OUTPUT = 100mW Unit: Hour (Approximately)			
	10.8V-12Vmax	14.4V	18V	USB Playback	Bluetooth	AUX IN	USB Playback + USB Charge (2.1A)
1.3Ah		BL1415		3.5	5.5	5.5	1.0
			BL1815	4.0	6.0	6.0	1.2
1.5Ah	BL1015			5.5	7.5	9.0	0.9
	BL1016						
		BL1415N		5.0	7.0	7.0	1.3
2.0Ah			BL1815N	5.5	7.5	7.5	1.4
	BL1020B			7.5	10	11	1.1
3.0Ah	BL1021B						
		BL1430(B)		8.0	12	12	2.2
			BL1830(B)	10	14	14	2.7
4.0Ah	BL1040B			14	20	23	2.2
	BL1041B						
		BL1440		13	19	19	3.5
5.0Ah			BL1840(B)	14	20	20	3.5
		BL1450		16	23	23	4.0
			BL1850(B)	18	26	26	4.5
6.0Ah		BL1460B		17	25	25	4.5
			BL1860B	22	32	32	5.5

**⚠ WARNING:** Only use the battery cartridges listed above. Use of any other battery cartridges may cause injury and/or fire.  
**Note:** Table regarding to the battery operating time above is for reference. The actual operating time may differ with the type of the battery, charging condition, or usage environment.

## Installing or removing slide battery cartridge (Fig. 3 and 4)

- To install the battery cartridge, align the tongue on the battery cartridge with the groove in the housing and slip it into place. Always insert it all the way until it locks in place with a little click.
- If you can see the red indicator on the upper side of the button, it is not locked completely. Install it fully until the red indicator cannot be seen. If not, it may accidentally fall out of the tool, causing injury to you or someone around you.
- Do not use force when inserting the battery cartridge. If the cartridge does not slide in easily, it is not being inserted correctly.
- To remove the battery cartridge, sliding it from the tool while pressing the button on the front of the cartridge.

### IMPORTANT:

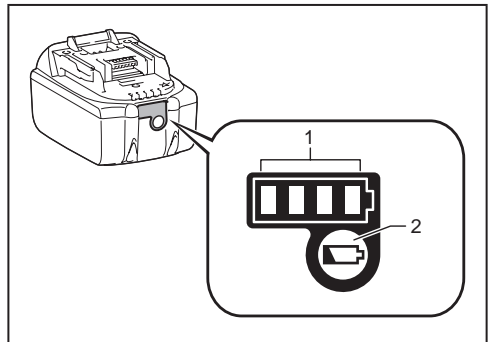
- Be careful not to pinch your fingers when closing the battery cover.

### Note:

When the speaker is in low battery, 'LOW BATTERY' will appear and flash on the LCD display.

## Indicating the remaining battery capacity

**Only for battery cartridges with "B" at the end of the model number**



► **1. Indicator lamps 2. Check button**  
Press the check button on the battery cartridge to indicate the remaining battery capacity. The indicator lamps light up for few seconds.

• **14.4V/18V batteries**

Indicator or lamps			Remaining Capacity
Lighted	Off	Blinking	
■	□	◐	75% ~ 100%
■	■	□	50% ~ 75%
■	■	□	25% ~ 50%
■	□	□	0% ~ 25%
◐	□	□	Charge the battery
■	■	□	The battery may have malfunctioned
□	□	■	

• **10.8V-12V max batteries**

Indicator or lamps			Remaining Capacity
Lighted	Off	Blinking	
■	■	■	75% ~ 100%
■	■	□	50% ~ 75%
■	■	□	25% ~ 50%
■	□	□	0% ~ 25%

**NOTE:** Depending on the conditions of use and the ambient temperature, the indication may differ slightly from the actual capacity.

**Using Supplied AC power adaptor (Fig. 5)**

Remove the rubber protector and insert the adaptor plug into the DC socket on the right side of the speaker. Plug the adaptor into a standard mains socket outlet. Whenever the adaptor is used, the battery pack is automatically disconnected. The AC adaptor should be disconnected from the main supply when not in use.

**IMPORTANT:**

- The mains adaptor is used as the means of connecting the speaker to the mains supply. The mains socket used for the speaker must remain accessible during

normal use. In order to disconnect the speaker from the mains completely, the mains adaptor should be removed from the mains outlet completely.

- Use the AC power adaptor supplied with the product or specified by Makita only.
- Do not hold the power supply cable and plug by your mouth. Doing so might cause an electric shock.
- Do not touch the power plug with wet or greasy hands.
- If the cord is damaged, have it replaced by our authorized service center in order to avoid a safety hazard. Do not use it before repair.
- After use, always store AC power adaptor out of the reach of children. If Children play with the cord, they may suffer injury.

**USB power supply socket**

This jack can be used to charge a mobile phone or any other device that uses less than 2.1A of DC current. Charging will only occur when the speaker is switched on.

**Note:** Ensure the specification of your external device such as mobile phone, mp3 player or iPod is compatible with the speaker. Please read instruction manual of your external device before charging.


**IMPORTANT:**

- Before connecting USB device to the charger, always backup your data of USB device. Otherwise your data may lose by any possibility.
- The charger may not supply power to some USB devices.
- When not using or after charging, remove the USB cable and close the cover.
- Do not connect power source to USB port. Otherwise there is risk of fire. The USB port is only intended for charging lower voltage device. Always place the cover onto the USB port when not charging the lower voltage device.
- Do not insert a nail, wire, etc. into USB power supply port. Otherwise a circuit short may cause smoke and fire.
- Do not connect this USB socket with your PC USB port, as it is highly possible that it may cause breakdown of the units.

**Pairing and connecting a device to the speaker**

You need to pair your Bluetooth device with the speaker before you can auto-link to play/stream Bluetooth music through the speaker. Pairing creates a 'bond' so two devices can recognize each other. To have the better sound quality, we recommend setting the volume to more than two-thirds level on your Bluetooth device and then adjust the volume on the speaker as required.

## Pairing and playing your Bluetooth device for the first time

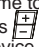


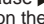

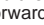
1. Press the Power button  to turn on the speaker and the 'BT PAIR' will appear on the display to show the speaker is discoverable.
2. Activate Bluetooth on your device according to the device's user manual to link to the speaker. Locate the Bluetooth device list and select the device named 'DMR202' with some mobiles (which are equipped with earlier versions than BT2.1 Bluetooth device), you may need to input the pass code "0000".
3. Once connected, there will be a beep sound and the display will show 'BT CONNECT'. You can simply select and play any music from your source device. Volume control can be adjusted from your source device, or directly from the speaker.
4. Use the controls on your Bluetooth-enabled device or on the speaker to play/pause and navigate tracks.

### Note:

1. If 2 Bluetooth devices, pairing for the first time, both search for the speaker, it will show its availability on both devices. However, if one device links with this unit first, then the other Bluetooth device won't find it on the list.
2. If your Bluetooth device is temporarily disconnected to the speaker, then you need to manually reconnect your device again to the speaker.
3. If 'DMR202' shows in your Bluetooth device list but your device cannot connect with it, please delete the item from your list and pair the device with the speaker again following the steps described previously.
4. The effective operation range between the system and the paired device is approximately 10 meters (30 feet). Any obstacle between the system and the device can reduce the operational range.
5. Bluetooth connectivity performance may vary depending on the connected Bluetooth devices. Please refer to the Bluetooth capabilities of your device before connecting to the speaker. All features may not be supported on some paired Bluetooth devices.

## Playing audio files in Bluetooth mode

When you have successfully connected the speaker with the chosen Bluetooth device, you can start to play your music using the controls on your connected Bluetooth device.

1. Once playing has started adjust the volume to the required setting using the Volume buttons  on the speaker or on your enabled Bluetooth device.
2. When you press the Volume up/down button, the volume indicator will flash in fast flashing red. If the indicator light in solid red, it indicates the volume is in maximum volume or minimum volume.
3. Use the controls on your device to play/pause and navigate tracks. Alternatively, control the playback using Play/Pause , Next track , Previous track buttons  on the speaker.
4. Press and hold the Next track  or Previous button  to fast-forward/Rewind the current track. Release the button when the desired point in the track is reached.


### Note:

1. That not all player applications or devices may respond to all of these controls.
2. Some mobile phones may temporarily disconnect from the speaker when you make or receive calls. Some devices may temporarily mute their Bluetooth audio streaming when they receive text messages, emails or for other reasons unrelated to audio streaming. Such behaviour is a function of the connected device and does not indicate a fault with the speaker.
3. The display does not show information such as title, artist, album, etc., when playing in Bluetooth mode.
4. The play mode function (Repeat/Random) cannot be used in Bluetooth mode.

## Speaker memory and reconnecting a device

The speaker can memorize up to 8 sets of paired device, when the memory exceed this amount, the oldest pairing history will be over written. If your Bluetooth device already paired with the speaker previously, the unit will memorize your Bluetooth device and it attempts to reconnect with a device in memory which is last connected. If the last connected device is not available, the speaker will be discoverable.

## Disconnecting your Bluetooth device

Press and hold the Bluetooth pairing button  for 2-3 seconds to disconnect with your Bluetooth device. The Bluetooth indicator flashes in blue indicating the speaker is discoverable again for pairing.

## Playing music via auxiliary input socket

A 3.5mm Auxiliary input socket is provided on the right side of the unit to permit an audio signal to be fed into the unit from any devices that features a headphone or audio output, such as an iPod, MP3 or CD player.

1. Connect a stereo or mono audio source (for example, iPod, MP3 or CD player) to the Auxiliary input socket (marked 'AUX') and the Aux in indicator turns green indicating the speaker is in auxiliary input mode.
2. Adjust the Volume control on your iPod, MP3 or CD player to ensure an adequate signal and then adjust the volume on the speaker for comfortable listening.
3. To have the better sound quality, we recommend setting the volume to more than two-thirds level on your audio device and then adjust the volume on the speaker as required.

### Note:

1. When Aux in socket is connected an audio device, the speaker will be switched from Bluetooth to auxiliary input mode. You can also press the source button to select your desired mode.
2. The display does not show information such as title, artist, album, etc., when playing via auxiliary input socket.
3. The playback or play mode cannot be controlled with the buttons on the speaker, when playing via auxiliary input socket.



## Using USB memory devices


### Important:

1. Your speaker is only designed to work with USB flash memory devices. It is not intended to be connected to hard disk drives or any other type of USB device.
2. It is possible to use SD or SDHC cards for media playback when held in a suitable USB adaptor. However, due to the wide variation of such adaptors, it is not possible to guarantee that all adaptor/card combinations will work with the speaker.
3. The speaker has been tested with a range of USB memory devices of up to 32GB capacity. It supports USB 2.0 full speed and USB 3.0. (**Note:** when using USB 3.0, please allow the speaker to detect the device for a longer period of time.)
4. USB memory must use the FAT or FAT 32 filing system in order to operate with the speaker, it does not support NTFS.
5. Audio formats supported for playback are MP3,WMA and AAC. Playback does not support files encoded using WMA lossless, WMA Voice, WMA 10 professional, nor files of any format which have DRM protection.

### ⚠ Cautions:



1. In order to minimize the risk of damage to your speaker, your USB Memory, please place the speaker such that the device cannot easily be knocked while it is inserted in the socket.
2. Remove the USB before carrying the speaker or if not using the USB feature for a prolonged period.
3. Turn off the speaker before removing your USB memory device.
4. The USB connection is intended only for flash memory devices. The use of hard disk storage media is not supported.
5. Playback via USB files stored on MP3 players is not guarantee.
6. Large file size or high memory USB device takes longer time to read.

## Playing files from USB memory devices

1. Open the battery cover and insert the USB memory device into the USB slot which is located in the battery compartment. Close the battery cover
2. Press the Power button  to turn on the speaker and the 'Reading' will appear and flash on the LCD display. Then the speaker will enter the USB mode and start playing from the USB memory device. The display will show the folder and file numbers, e.g. 'F001 T0001'. The speaker also shows the scrolling text messages (such as title, artist, album etc.) when there is information available.

### Note:



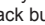

- a) The text coding only supports UNICODE, if the USB files contain text coding other than UNICODE, the scrolling messages will appear garbled texts.
- b) Once the USB memory device is plugged in, the speaker will automatically enter in USB mode. You can also press the source button to select your desired mode if needed.

3. To pause playing, press the Play/Pause button . To resume playing, press the Play/Pause button  again.



### Note:

- a) If you turn off the speaker, the next time the speaker is turned on, it will resume to the last played track.
- b) If you switch to other mode when playing from the USB memory device, playback will be paused. When you switch to the USB mode again, playback will resume from the point where it was paused.
- c) It is recommended to store only music files (MP3/WMA/AAC) in your USB memory device. If there is one folder contains file(s) other than music files, your speaker will skip this file/ folder and the file/folder number shown on the display will not be serial.

## Selecting a file

1. While the USB memory device is playing, press either the Next track button  or Previous track button  to change to the desired file. The file number is updated on the display. If there's more than one folder, all files in the current folder should have been played and the next folder will be played.
2. Press and hold the Next track button  or Previous track button  to fast-forward/Rewind the current track. Release the button when the desired point in the track is reached.

## To skip to another folder

With the USB memory device is in pause or play mode, press and release the Next folder button  or Previous folder button . The first file of the next or previous folder will be played.

### Note:

If your USB contains a folder without files, the device will skip the folder and play the files in the next folder.

## Play Mode

When playing the files in the USB memory device, press and release Repeat/Random button to select.  
**Repeat 1:** repeatedly play the file you are listening to.  
**Repeat Folder :** repeatedly play the files within the folder you are listening to.  
**Random :** it will play files in the USB by in random.  
**Repeat All :** repeatedly play the folders in the USB.

## MAINTENANCE

### ⚠ CAUTION:

- Never use gasoline, benzine, thinner, alcohol or the like. Discoloration, deformation or cracks may result.

## SPECIFICATION

<b>Amplifier</b>	
Output power	10.8V-12Vmax:3W 14.4V:6W 18V:10W
Frequency response	50Hz~20kHz
<b>Aux In</b>	
Input sensitivity	250mVrms @100Hz
<b>Speaker</b>	
Main speaker	101.6mm 8ohm 10W
Tweeter speaker	36mm 8ohm 10W

<b>Bluetooth</b> (The Bluetooth® word mark and logos are registered trademarks owned by Bluetooth SIG, Inc.)	
Bluetooth version	4.0
Bluetooth Profiles	A2DP SCMS-T AVRCP
Transmission Power	Power Class2
Transmission Range	Max.10m (varies according to usage conditions)
Supported codec	SBC
Compatible Bluetooth profile	A2DP
Maximum radio-frequency power	BT EDR: 3.88dBm BT LE: -1.4dBm
Operating Frequency	2402MHz~2480MHz

<b>USB Playback Socket</b>	
USB Standards	USB3.0 / USB2.0
Compatible File System	FAT 32/16/12
Playable Audio format	MP3 / WMA / AAC
Max. Current	500 mA (Max)

<b>General</b>	
AC power adaptor	DC in 12V 1.5A, center pin positive
Battery	Slide battery: 10.8 V-12Vmax 14.4 V 18 V
Dimensions(W x H x D)	211 mm x 206 mm x 199 mm
Weight	2.7KG (without battery)

The company reserves the rights to amend the specification without notice.

### Symboles

Les symboles utilisés pour l'équipement sont affichés ci-dessous. Soyez sûr de tout comprendre avant toute utilisation.



Lisez le manuel d'utilisation.



Uniquement pour les pays de l'UE  
Ne jetez pas le matériel électrique ou le regroupement de batteries d'accumulateurs avec les déchets ménagers !

Conformément aux directives européennes, sur les déchets d'équipements électriques et électroniques, des batteries et accumulateurs mais aussi des batteries et accumulateurs usagés, ainsi que leur mise en œuvre conformément aux lois nationales, aux équipements électriques et aux batteries et aux regroupements de batteries d'accumulateurs qui ont atteint leur fin de vie, doivent être collectés séparément et être renvoyé à une installation de recyclage suivant les directives pour l'environnement.

## INSTRUCTIONS IMPORTANTES DE SECURITE

### ⚠ AVERTISSEMENT :

Lorsque vous utilisez des outils électriques, des précautions de base devraient toujours être suivies pour réduire le risque d'incendie, d'électrocution et de blessures, notamment les précautions suivantes :

1. Lisez ce manuel d'utilisation attentivement ainsi que le manuel d'utilisation du chargeur avant de l'utiliser.
2. Nettoyez avec un chiffon sec.
3. N'installez pas à proximité de sources de chaleur telles que radiateurs, registre de chaleur, poêle ou autres appareils (y compris les amplificateurs) qui produisent de la chaleur.
4. N'utilisez que les extensions/accessoires spécifiés par le fabricant.
5. Débranchez cet appareil lors des orages ou lorsqu'il est inutilisé pendant une longue période.
6. Un haut-parleur commandé par une batterie avec batteries intégrées ou par une batterie externe doit être rechargé qu'avec le chargeur spécifié pour la batterie. Un chargeur qui est adaptée pour un type de batterie peut provoquer un risque d'incendie lorsqu'il est utilisé avec une autre batterie.
7. Utilisez le haut-parleur commandé par la batterie uniquement avec des batteries externes spécifiquement désignées. L'utilisation d'autres batteries peut provoquer un risque d'incendie.
8. Lorsque la batterie externe n'est pas utilisée, veuillez le tenir éloigner des autres objets métalliques tels que : les trombones, les pièces de monnaie, les clés, les clous, les vis ou les autres petits objets métalliques qui peuvent établir une connexion d'une borne à un autre. Court-circuiter les bornes de la batterie peut provoquer des étincelles, des brûlures ou un incendie.
9. Évitez tout contact corporel avec des surfaces reliées à la terre telles que les tuyaux, les radiateurs, les cuisinières et les réfrigérateurs. Il y a un risque accru

- de choc électrique si votre corps est relié à la terre.
10. Dans des conditions extrêmes, du liquide peut être éjecté depuis la batterie; évitez tout contact avec le liquide. En cas de contact accidentel, rincez avec de l'eau. Si le liquide rentre en contact avec les yeux, consultez un médecin. Le liquide éjecté depuis la batterie peut causer des irritations ou des brûlures.
11. N'utilisez pas le regroupement de batteries d'accumulateurs ou un outil qui a été endommagé voire même modifié. Les batteries endommagées ou modifiées peuvent présenter un comportement imprévisible entraînant un incendie, une explosion ou un risque de blessure.
12. N'exposez pas une batterie ou un outil au feu ou à une température excessive. L'exposition au feu ou à une température supérieure à 130 °C peut provoquer une explosion.
13. Suivez toutes les instructions de charge et ne chargez pas la batterie ou l'outil en dehors de la plage de température spécifiée dans les instructions. La charge incorrecte ou à des températures en dehors de la plage spécifiée peut endommager la batterie et augmenter le risque d'incendie.
14. Les prises SECTEUR sont utilisées comme dispositif de déconnexion, et elles doivent rester facilement accessible.
15. N'utilisez pas le produit à un volume élevé durant une période prolongée. Pour éviter les dommages auditifs, utilisez le produit à un niveau de volume modéré.
16. (pour les produits avec affichage à cristaux liquides seulement) les affichages à cristaux liquides incluent le liquide qui peut causer de l'irritation et un empoisonnement. Si le liquide pénètre dans les yeux, la bouche ou la peau, rincez avec de l'eau et appelez un médecin.
17. N'exposez pas le produit à la pluie ou à des environnements humides. L'eau pénétrant dans le produit augmente le risque de choc électrique.
18. Ce produit n'est pas destiné à être utilisé par des personnes (y compris des enfants) ayant des capacités physiques, sensorielles ou mentales réduites, ou un manque d'expérience et de connaissances, à moins qu'elles aient reçu une supervision ou une formation concernant l'utilisation du produit par une personne responsables pour leur sécurité. Les enfants doivent être surveillés pour s'assurer qu'ils ne jouent pas avec le produit. Entreposez le produit hors de la portée des enfants.

## ENREGISTRER SES INSTRUCTIONS

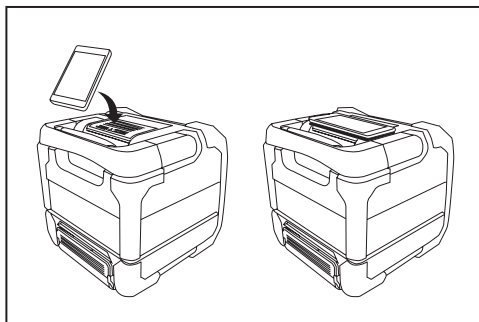
## REGLES SPECIFIQUES DE SECURITE

### POUR LA CARTOUCHE DE BATTERIE

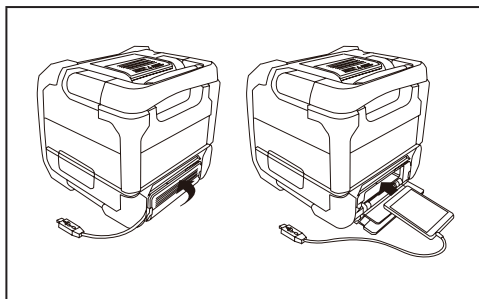
1. Avant d'utiliser la cartouche de batterie, lire toutes les instructions et les avertissements concernant (1) le chargeur de batterie, (2) la batterie, et (3) l'équipement utilisant la batterie.
2. Ne démontez pas la cartouche de batterie
3. Si le temps de fonctionnement devient excessivement court, cessez immédiatement l'utilisation. Il peut en résulter un risque de surchauffe, de brûlures et même d'explosion.
4. Si l'électrolyte pénètre dans vos yeux, rincez-les à l'eau claire et consultez un médecin immédiatement. Cela peut entraîner une perte de la vue.
5. Ne court-circuitez pas la cartouche de la batterie :

## Interprétation de la vue générale (Fig.1)

1. Casier du compartiment pour batterie
2. Panneau pour placer le portable (téléphone cellulaire)



3. Bouton volume haut
4. Bouton volume bas
5. Bouton mode lecture
6. Bouton dossier suivant
7. Bouton piste suivante/bouton avance rapide
8. Ecran LCD
9. Bouton Lecture / Pause
10. Bouton Piste précédente / bouton Rembobinage
11. Bouton Dossier précédent /bouton du Couplage Bluetooth
12. Bouton source
13. Bouton d'alimentation
14. Haut-parleur
15. Poignée
16. Prise DC in
17. Prise d'entrée auxiliaire
18. Prise de charge USB
19. Couvercle du tiroir de rangement du mobile
20. Trou du câble
21. Tiroir de rangement du mobile (téléphone portable)



22. Terminal de la batterie de 14,4 V/18 V
23. Terminal de la batterie de 10,8 V-12 Vmax
24. Prise de lecture USB
25. Couvercle de la batterie
26. Batterie
27. Bouton

- (1) Ne touchez pas les bornes avec un matériau conducteur.
  - (2) Évitez de ranger la cartouche de la batterie dans un conteneur avec d'autres objets métalliques tels que des clous, des pièces de monnaie, etc.
  - (3) N'exposez pas la cartouche de la batterie à l'eau ou à la pluie. Un court-circuit de la batterie peut provoquer un fort courant, une surchauffe, des brûlures et même une panne.
6. Ne rangez pas l'outil ou la cartouche de la batterie dans des endroits où la température peut atteindre ou dépasser 50 °C (122 °F).
7. N'incinerez pas la cartouche de la batterie même si elle est sérieusement endommagée ou complètement usée. La cartouche de la batterie peut exploser dans un feu.
8. Veillez ne pas laisser tomber ou heurter la batterie.
9. N'utilisez pas de batterie endommagée.
10. Pour éviter tout risque, le manuel de la batterie de remplacement de la batterie doit être lu avant utilisation. Le courant de décharge maximal de la batterie doit être supérieur ou égal à 8A.
11. Les batteries lithium-ion sont soumises aux exigences de la législation sur les marchandises dangereuses. Pour les transports commerciaux, par ex. par des tiers, des agents de livraison, des exigences particulières en matière de conditionnement et d'étiquetage doivent être respectées.
- Pour la préparation de l'article à expédier, il est nécessaire de consulter un expert pour les matières dangereuses. Veuillez également observer des réglementations nationales éventuellement plus détaillées.
- Recouvrez par du scotch ou masquez les contacts ouverts et emballez la batterie de telle manière qu'elle ne puisse pas bouger dans l'emballage.

12. Suivez les réglementations locales relatives à l'élimination des batteries.
13. Utilisez les batteries uniquement avec les produits spécifiés par Makita. L'installation des batteries dans des produits non conformes peut entraîner un incendie, une chaleur excessive, une explosion ou une fuite d'électrolyte.

### ⚠ MISE EN GARDE :

- Risque d'explosion si la batterie est incorrectement remplacée.
- Remplacez uniquement avec le même type ou équivalent.
- n'utilisez que des batteries Makita authentiques. L'utilisation de batteries Makita non authentiques, ou des batteries qui ont été modifiées, peut provoquer une explosion de la batterie provoquant des incendies, des blessures et des dégâts. Cela annulera également la garantie Makita pour l'outil Makita et le chargeur.

Conseils pour maintenir la durée de vie de la batterie au maximum

1. Chargez la cartouche de la batterie avant qu'elle ne soit complètement déchargée. Arrêtez toujours le fonctionnement de l'équipement et rechargez la cartouche de la batterie lorsque vous remarquez que la puissance de l'équipement est faible.
2. Rechargez jamais une cartouche de batterie qui est déjà complètement chargée. La surcharge réduit la durée de vie de la batterie.
3. Rechargez la cartouche de batterie à une température ambiante de 10 °C à 40 °C (50 °F - 104 °F). Laissez la cartouche de batterie chaude se refroidir avant de la charger.
4. Rechargez la cartouche de batterie si vous ne l'utilisez pas pendant une longue période (plus de six mois).

## Alimentation

Le haut-parleur peut être alimenté par des blocs batteries Makita ou par une prise murale standard.

### Alimentation par batterie

Lorsque "LOW BATTERY" (BATTERIE FAIBLE) est affiché à l'écran, veuillez remplacer les piles.  
Le tableau suivant indique le temps de fonctionnement sur une seule charge.

Capacité de la batterie	Tension de la batterie			SORTIE DU HAUT-PARLEUR = 100 mW Unité : Heures (Approximative)			
	10,8V-12 Vmax	14,4 V	18 V	Lecture USB	Bluetooth	AUX IN	Lecture USB + Charge USB (2,1 A)
1.3Ah		BL1415		3.5	5.5	5.5	1.0
			BL1815	4.0	6.0	6.0	1.2
1.5Ah	BL1015 BL1016			5.5	7.5	9.0	0.9
		BL1415N		5.0	7.0	7.0	1.3
			BL1815N	5.5	7.5	7.5	1.4
2.0Ah	BL1020B BL1021B			7.5	10	11	1.1
			BL1820(B)	7.0	10	10	1.9
3.0Ah		BL1430(B)		8.0	12	12	2.2
			BL1830(B)	10	14	14	2.7
4.0Ah	BL1040B BL1041B			14	20	23	2.2
		BL1440		13	19	19	3.5
			BL1840(B)	14	20	20	3.5
5.0Ah		BL1450		16	23	23	4.0
			BL1850(B)	18	26	26	4.5
6.0Ah		BL1460B		17	25	25	4.5
			BL1860B	22	32	32	5.5

**⚠ AVERTISSEMENT :** n'utilisez que les cartouches de batterie énumérées ci-dessus. L'utilisation de toute autre cartouche de batterie peut causer des blessures et/ou des incendies.

**Remarque :** le tableau concernant la durée de fonctionnement de la batterie ci-dessus est présenté comme référence. Le temps de fonctionnement réel peut différer du type de la batterie, de la condition de la charge ou de l'environnement d'utilisation.

### Installation ou retrait de la cartouche de batterie amovible (fig. 3 et 4)

- Pour installer la cartouche de batterie, alignez la languette de la cartouche de batterie avec la rainure dans le boîtier et faites-le glisser en place. Insérez-la toujours complètement jusqu'à ce qu'elle se verrouille en place avec un petit clic.
- Si vous pouvez voir le voyant rouge sur la face supérieure du bouton, cela signifie qu'elle n'est pas parfaitement verrouillée. Installez-la entièrement jusqu'à ce que le voyant rouge ne soit plus visible. Sinon, elle risque de tomber accidentellement de l'équipement,

causant un préjudice à vous ou à quelqu'un d'autre autour de vous.

- N'utilisez pas la force lors de l'insertion de la cartouche de batterie. Si la batterie ne glisse pas facilement, elle n'est pas insérée correctement.
- Pour retirer la batterie, faites-la glisser de l'équipement tout en appuyant sur le bouton sur la face avant de la cartouche.

#### IMPORTANT :

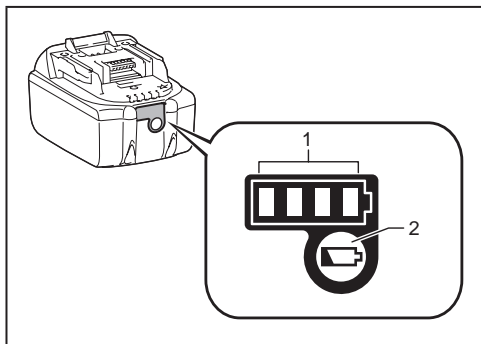
- Soyez prudent en fermant le couvercle de la batterie pour éviter d'avoir vos doigts pincés par le système.

#### Remarque :

Lorsque le haut-parleur a une charge faible, "LOW BATTERY" apparaîtra et clignotera sur l'écran LCD.

## Indiquant la capacité restante de la batterie

Uniquement pour les cartouches de batterie avec "B" à la fin du numéro de modèle



► 1. Voyant des Lampes 2. Bouton de vérification  
Appuyez sur le bouton de vérification sur la cartouche de batterie pour indiquer la capacité restante de la batterie. Les voyants sont allumés pendant quelques secondes.

### • Batteries de 14,4 V/ 18 V

Voyant des lampes			Capacité restante
Allumés	Eteintes	Clignotant	
■	■	■	75% ~ 100%
■	■	□	50% ~ 75%
■	□	□	25% ~ 50%
■	□	□	0% ~ 25%
◻	◻	◻	Rechargez la batterie
■	■	□	La batterie semble mal fonctionnée
□	□	■	

### • Batteries de 10,8 V-12 V max

Voyant des lampes			Capacité restante
Allumés	Eteintes	Clignotant	
■	■	■	75% ~ 100%
■	■	□	50% ~ 75%

■ ■ □ □	25% ~ 50%
■ □ □ □	0% ~ 25%

**REMARQUE :** Selon les conditions d'utilisation et la température ambiante, le voyant peut différer légèrement de la capacité réelle.

## En utilisant l'adaptateur secteur fourni (fig. 5)

Retirez la protection en caoutchouc et insérez l'adaptateur dans la prise DC sur le côté droit de haut-parleur. Branchez l'adaptateur dans une prise secteur standard. Chaque fois que l'adaptateur est utilisé, la batterie est automatiquement déconnectée. L'adaptateur secteur doit être déconnecté de l'alimentation principale en cas de non utilisation.

### IMPORTANT :

- La prise secteur est utilisée comme moyen de connecter la radio à l'alimentation secteur. La prise secteur utilisée pour la radio doit rester accessible durant l'utilisation normale. Afin de déconnecter la radio du secteur, la prise secteur doit être enlevée complètement de la prise d'alimentation secteur.
- Utilisez l'adaptateur secteur fourni avec le produit ou uniquement celui spécifié par MAKITA.
- Ne tenez pas le câble d'alimentation et ne le mettez pas dans votre bouche. Cela peut provoquer un choc électrique.
- Ne touchez pas le câble d'alimentation avec les mains mouillées ou grasses.
- Si le cordon est endommagé, faites-le remplacer par notre centre de service autorisé afin d'éviter tout risque de sécurité. Ne l'utilisez surtout pas avant la réparation.
- Après utilisation, rangez toujours l'adaptateur secteur hors de la portée des enfants. Si les enfants jouent avec le cordon d'alimentation, ils encourent des risques de blessures.

## Prise d'alimentation USB fournie

Cette prise peut être utilisée pour charger un téléphone mobile ou tout autre appareil qui utilise moins de 2,1 A de courant continu. La recharge ne se fera que lorsque le haut-parleur est allumé.

**Remarque :** Vérifiez la spécification de votre périphérique externe tel que le téléphone portable, le lecteur mp3 ou iPod est compatible avec le haut-parleur. Veuillez lire le manuel d'utilisation de votre appareil externe avant de le charger.

### IMPORTANT :


- Avant de connecter un périphérique USB au chargeur, toujours sauvegarder vos données du périphérique USB. Sinon, vous pourriez perdre tout vos données.
- Le chargeur peut ne pas alimenter certains périphériques USB.
- En cas de non utilisation ou après la charge, retirez le câble USB et fermez le couvercle.
- Ne branchez pas la source d'alimentation au port USB.

- Sinon, il y a risque d'incendie. Le port USB est destiné uniquement à la charge de dispositif à faible tension. Placez toujours le couvercle sur le port USB lorsque vous ne rechargez pas un l'appareil de faible tension.
- N'insérez pas de clou, de fil de fer, etc., dans le port d'alimentation USB. Sinon, un court-circuit peut provoquer de la fumée et du feu.
  - Ne branchez pas cette prise USB avec votre port USB du PC, car il est très possible que cela peut provoquer une panne des unités.

## Coupler et connecter un appareil avec l'enceinte

Vous devez coupler votre appareil Bluetooth avec le haut-parleur avant que vous puissiez le relier automatiquement pour lire/diffuser de la musique Bluetooth via le haut-parleur. Le couplage crée un « lien » afin que deux appareils puissent se reconnaître mutuellement. Pour avoir une meilleure qualité sonore, nous vous conseillons de régler le volume à plus des deux tiers sur votre appareil Bluetooth, puis ajustez le volume sur le haut-parleur au besoin.

## Coupler et utiliser votre appareil Bluetooth pour la première fois

1. Appuyez sur le bouton d'alimentation  pour allumer le haut-parleur et « COUPLAGE BT » apparaîtra sur l'écran pour montrer que le haut-parleur est détectable.
2. Activez le Bluetooth sur votre appareil conformément au manuel d'instruction pour le relier à votre enceinte. Situez la liste des appareils Bluetooth et choisissez l'appareil nommé ' DMR202.'. Avec certains portables (équipés de versions antérieures aux appareils Bluetooth BT.2.1), vous devrez saisir un mot de passe « 0000 ».
3. Une fois connecté, il se fera entendre un bip sonore et l'écran indiquera « CONNECT BT ». Vous pouvez maintenant simplement sélectionner et lire n'importe quelle musique de votre périphérique source. Le volume peut être réglée à partir de votre appareil source, ou directement à partir du haut-parleur.
4. Utilisez les commandes de l'appareil avec la fonction Bluetooth ou de votre enceinte pour lire / mettre en pause et naviguer entre les pistes.

### Remarque :



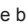


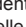
1. Si 2 appareils Bluetooth, effectuent le couplage pour la première fois, les deux à la fois recherchent haut-parleur, il sera affiché la disponibilité sur les deux appareils. Toutefois, si l'un des appareils se lie avec cet appareil d'abord, l'autre appareil Bluetooth ne la trouvera pas sur la liste.
2. Si votre périphérique Bluetooth est temporairement déconnecté de votre haut-parleur, alors vous devez reconnecter manuellement votre appareil à nouveau avec le haut-parleur.
3. Si « DMR202 » est affiché dans votre liste d'appareils Bluetooth, mais que votre appareil ne peut pas se connecter avec elle, veuillez supprimer l'élément de votre liste et coupez de nouveau l'appareil avec le haut-parleur en suivant les étapes décrites

précédemment.

4. La portée de fonctionnement effective entre le système et l'appareil couplé est d'environ 10 mètres (30 pieds). Tout obstacle entre le système et l'appareil risque de réduire la portée de fonctionnement.
5. La performance de connectivité Bluetooth peut varier en fonction des appareils Bluetooth connectés. Référez-vous aux fonctionnalités Bluetooth de votre appareil avant de connecter votre radio. Toutes les fonctions ne seront peut-être pas compatibles sur certaines appareils Bluetooth.

## Lire des fichiers audio en mode Bluetooth

Lorsque vous avez correctement connecté votre radio avec l'appareil Bluetooth de votre choix, vous pouvez commencer à lire votre musique en utilisant les contrôles sur votre appareil Bluetooth connecté.

1. Une fois que la lecture a commencé, réglez le volume sur la valeur souhaitée en utilisant les boutons de volume  de votre haut-parleur ou sur votre appareil avec Bluetooth activé.
2. Lorsque vous appuyez sur le bouton Volume haut / bas, le voyant de volume clignote rouge. Si le voyant est rouge permanent, il indique que le volume est au maximum ou minimum.
3. Utilisez les commandes de votre appareil pour la lecture / pause et naviguez parmi les pistes. Alternativement, contrôlez la lecture en utilisant Lecture / Pause , le bouton Piste suivante , le bouton Piste précédente  sur le haut-parleur.
4. Appuyez et maintenez le bouton Piste Suivante  ou  Piste précédente pour avancer rapidement / reculer la piste actuelle. Relâchez le bouton lorsque le point souhaité dans la piste est atteint.

### Remarque :


1. Toutes les applications de lecture ou périphériques peuvent répondre à l'ensemble de ces contrôles.
2. Certains téléphones mobiles peuvent se déconnecter temporairement de votre haut-parleur lorsque vous donnez ou recevez des appels. Certains appareils peuvent couper temporairement leur streaming audio Bluetooth quand ils reçoivent des messages texte, e-mails ou pour d'autres raisons non liées au comportement du streaming audio. Ce comportement est une fonction de l'appareil connecté et ne constitue pas un défaut de votre haut-parleur.
3. L'écran n'affiche pas d'informations telles que le titre, l'artiste, l'album, etc., lors de la lecture en mode Bluetooth.
4. La fonction en mode de lecture (Répétition / Aléatoire) ne peut pas être utilisée en mode Bluetooth.

## Mémoire du haut-parleur et reconnexion d'un appareil

Votre haut-parleur peut mémoriser jusqu'à 8 appareils couplés, lorsque la mémoire dépasse ce nombre, le premier appareil couplé sera remplacé. Si votre appareil Bluetooth a déjà été couplé avec le haut-

parleur précédemment, l'unité mémorisera votre appareil Bluetooth et essaiera de se reconnecter avec l'appareil qui a été le dernier connecté enregistré en mémoire. Si le dernier appareil connecté n'est pas disponible, le haut-parleur ne sera pas détectable.

## Déconnecter votre appareil Bluetooth

Tenez la touche Bluetooth  2-3 secondes pour déconnecter votre appareil Bluetooth. L'indicateur Bluetooth clignote en bleu pour indiquer que l'enceinte est détectable de nouveau pour le couplage.

## Lire de la musique par l'intermédiaire de la prise d'entrée auxiliaire

Une prise d'entrée auxiliaire de 3,5 mm est prévu sur le côté droit de l'appareil pour permettre l'entrée d'un signal audio dans l'appareil de tous les périphériques qui dispose d'une sortie casque ou audio, comme un iPod, lecteur MP3 ou CD.

1. Connectez une source audio stéréo ou mono (par exemple, iPod, MP3 ou lecteur de CD) à la prise auxiliaire d'entrée (marqué «AUX») et l'indicateur AUX IN devient vert, indiquant que le haut-parleur est en mode d'entrée auxiliaire.
2. Réglez le volume de votre iPod, lecteur MP3 ou lecteur CD pour assurer un niveau de volume suffisant, utilisez ensuite la commande de réglage Volume de l'unité pour régler le volume sur un niveau d'écoute confortable.
3. Pour avoir une meilleure qualité sonore, nous vous conseillons de régler le volume au plus des deux tiers sur votre appareil audio, puis d'ajuster le volume sur le haut-parleur au besoin.

### Remarque :

1. Lorsque la prise Aux in est connectée à un périphérique audio, le haut-parleur sera basculé du mode Bluetooth à l'entrée auxiliaire. Vous pouvez également appuyer sur le bouton source pour sélectionner le mode désiré.
2. L'écran n'affiche pas d'informations telles que le titre, l'artiste, l'album, etc., lors de la lecture via une prise d'entrée auxiliaire.
3. Le mode de lecture ou la lecture ne peut pas être contrôlé avec les boutons sur le haut-parleur, lors de la lecture via une prise d'entrée auxiliaire.

## Utilisation des périphériques de mémoire USB

### Important :

1. Votre haut-parleur est seulement conçu pour fonctionner avec les dispositifs de mémoire flash USB. Il n'est pas destiné à être connecté à des lecteurs de disque dur ou tout autre type de périphérique USB.
2. Il est possible d'utiliser des cartes SD ou SDHC pour la lecture des médias lorsqu'elles sont conservées dans un adaptateur USB approprié. Toutefois, en raison de la grande variété de ces adaptateurs, il n'est pas possible de garantir que toutes les combinaisons adaptateur/ carte fonctionneront avec le haut-parleur.
3. Le haut-parleur a été testé avec une gamme de périphériques mémoire USB allant jusqu'à 32 Go de


capacité. Il supporte le format USB 2.0 full speed et USB 3.0. (Remarque : lors de l'utilisation de l'USB 3.0, veuillez permettre au haut-parleur de détecter l'appareil pendant une période de temps assez longue.)

4. La mémoire USB doit utiliser le système de classement FAT ou FAT 32 afin de fonctionner avec le haut-parleur, il ne prend pas en charge le NTFS.
5. Les formats audio pris en charge pour la lecture sont mp3, WMA et AAC. La lecture ne prend pas en charge les fichiers encodés à l'aide du WMA Lossless, WMA voice, WMA 10 Professional, ni de tout type de format de fichiers ayant une protection DRM.

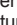

### ⚠ Mises en garde :

1. Afin de minimiser le risque de dommages de votre haut-parleur, et de votre mémoire USB, veuillez placer le haut-parleur de telle sorte que l'appareil ne subisse aucun choc pendant qu'il est branché.
2. Retirez l'USB avant de déplacer le haut-parleur ou si vous n'utilisez pas la fonction USB pendant une période de temps prolongée.
3. Éteignez le haut-parleur avant de retirer votre périphérique de mémoire USB.
4. La connexion USB est destinée uniquement aux dispositifs de mémoire flash. L'utilisation de supports de stockage sur disque dur n'est pas prise en charge.
5. La lecture via les fichiers USB stockés sur les lecteurs MP3 n'est pas garantie.
6. Les dossiers volumineux ou les dispositifs de mémoire USB ayant une capacité de stockage élevée prendra beaucoup plus de temps à être lu.

## Lecture de fichiers à partir de périphériques de mémoire USB

1. Ouvrez le couvercle des piles et insérez le dispositif de mémoire USB dans la fente USB qui se trouve dans le compartiment des piles. Fermez le couvercle des piles.
2. Appuyez sur le bouton d'alimentation  pour allumer le haut-parleur et « Lecture » apparaîtra et clignotera sur l'écran LCD. Ensuite, le haut-parleur entrera en mode USB et commencera la lecture à partir du périphérique de mémoire USB. Sur l'écran sera indiqué le dossier et les numéros de fichier, par exemple « F001 T0001 ». L'écran affichera également les messages de défilement de texte (tels que le titre, l'artiste, l'album, etc.) quand il y a des informations disponibles.

### Remarque :

- a) le codage de texte prend uniquement en charge UNICODE, si les fichiers USB contiennent du codage de texte autre qu'Unicode, les messages de défilement apparaîtront sous forme de textes tronqués.
- b) une fois que le périphérique de mémoire USB est branché, le haut-parleur entrera automatiquement en mode USB. Vous pouvez également appuyer sur le bouton source pour sélectionner le mode désiré si nécessaire.
3. pour mettre en pause la lecture, appuyez sur le bouton Lecture/Pause . Pour reprendre la lecture, appuyez de nouveau sur le bouton Lecture/Pause .

### Remarque :

- a) si vous éteignez le haut-parleur, la prochaine fois que le haut-parleur sera mise en marche, il reprendra à la dernière piste qui était en lecture.
- b) si vous passez à un autre mode lorsque vous jouez à



partir du périphérique de mémoire USB, la lecture sera suspendue. Lorsque vous passez à nouveau en mode USB, la lecture reprendra à partir du point où elle a été mise en pause.

- c) il est recommandé de stocker uniquement des fichiers musicaux (MP3/WMA/AAC) sur votre périphérique de mémoire USB. Si un dossier contient des fichiers autres que des fichiers musicaux, votre haut-parleur ignorera ce fichier/dossier et le fichier/numéro de dossier affiché sur l'écran ne sera pas en série.

## Sélection d'un fichier

1. Pendant que le périphérique de mémoire USB est en cours de lecture, appuyez sur le bouton Piste suivant ►► ou sur le bouton Piste précédente ◄◄ pour passer au fichier désiré. Le numéro de fichier est mis à jour sur l'écran. S'il y a plus d'un dossier, tous les fichiers du dossier en cours doivent avoir été lus et le dossier suivant sera lu.
2. Maintenez le bouton Piste suivante ►► ou le bouton Piste précédente ◄◄ enfoncée pour accélérer/rembobiner la piste en cours. Relâchez le bouton lorsque le point désiré de la piste est atteint.

## Pour passer à un autre dossier

Le périphérique de mémoire USB doit être en mode pause ou lecture, appuyez et relâchez alors le bouton Dossier suivant ► ou le bouton Dossier précédent ◄. Le premier fichier du dossier suivant ou précédent sera alors lu.

### Note :

Si votre clé USB contient un dossier sans fichier, l'appareil ignorera le dossier et jouera les fichiers dans le dossier suivant.

## Mode de lecture

Lors de la lecture des fichiers sur le périphérique de mémoire USB, appuyez et relâchez le bouton Répéter/Aléatoire pour sélectionner :

**Repeat 1 :** lis à plusieurs reprises le fichier que vous écoutez.

**Repeat Folder :** lis à plusieurs reprises les fichiers dans le dossier que vous écoutez.

**Random :** lis des fichiers sur l'USB de façon aléatoire.

**Repeat All :** lecture répétée des dossiers sur l'USB.

## ENTRETIEN

### ⚠ AVERTISSEMENT :

- N'utilisez jamais d'essence, de benzène, de diluant, d'alcool ou produits similaires. Des décolorations, déformations ou des fissures peuvent en résulter.

## Spécification

### Amplificateur

Puissance de sortie	10,8 V-12 Vmax : 3 W 14.4V:6W 18V:10W
Fréquence de réponse	50Hz~20kHz

### Aux In

Sensibilité d'entrée	250mVrms @100Hz
----------------------	-----------------

### Haut-parleur

Haut-parleur principal	101.6mm 8ohm 10W
Haut-parleur tweeter	36mm 8ohm 10W

### Bluetooth

(Le mot, la marque et le logo Bluetooth® sont des marques déposées de Bluetooth SIG, Inc.)

Version Bluetooth	4.0
Profile Bluetooth	A2DP SCMS-T AVRCP
Puissance de Transmission	Puissance de Classe 2
Porté de transmission	10m max. (varie selon les conditions d'utilisation)
Codec pris en charge	SBC
Profile Bluetooth Compatible	A2DP
Puissance des radio fréquences max.	BT EDR : 3.88dBm BT LE : -1.4dBm
Fréquence de fonctionnement	2402MHz~2480MHz

### Prise de lecture USB

Normes USB	USB 3.0 / USB 2.0
Système de fichier compatible	FAT 32/16/12
Format audio prise en charge	MP3 / WMA / AAC
Intensité max.	500 mA (Max)

### Général

Adaptateur secteur	DC in 12V 1,5 A, broche centrale positive
Batterie	Batterie coulissante : 10,8 V-12 Vmax 14,4 V 18 V
Dimensions (L x H x P)	211 mm x 206 mm x 199 mm
Poids	2,7 kg (sans batterie)

La société se réserve le droit de modifier les spécifications sans préavis.

## DEUTSCH

### Symbole

Nachfolgend werden die Symbole für dieses Gerät erläutert. Verinnerlichen Sie die Bedeutung aller Symbole vor dem Gebrauch.



Lesen Sie die Bedienungsanleitung gut durch.



Nur für EU-Länder

Entsorgen Sie elektrische Geräte oder Batterien nicht über den Hausmüll!

Gemäß der Europäischen Richtlinie zur Entsorgung von elektrischen und elektronischen Altgeräten, Batterien, Akkus und Altbatterien, sowie gemäß deren Implementierung in nationales Recht, sind elektrische Geräte, Batterien und Akkus am Ende ihrer Lebensdauer separat zu entsorgen oder an umweltgerechten Sammelstellen abzugeben.

### WICHTIGE SICHERHEITSHINWEISE

#### ⚠️ WARNUNG:

Bei der Verwendung elektrischer Geräte sind die nachfolgenden grundlegenden Sicherheitsvorkehrungen zu beachten, um die Gefahr von Feuer, Stromschlägen und Verletzungen zu vermeiden:

1. Lesen Sie diese Bedienungsanleitung und die Anleitungen des Ladegeräts vor dem Gebrauch sorgfältig durch.
2. Nur mit einem trockenen Lappen reinigen.
3. Stellen Sie das Gerät nicht in der Nähe von Hitzequellen, wie z. B. Heizungen, Herden oder anderen Geräten die Hitze produzieren (z. B. Verstärker) auf.
4. Verwenden Sie lediglich vom Hersteller angegebenes Zubehör.
5. Ziehen Sie bei Gewittern oder bei längerer Nichtbenutzung den Stecker aus der Steckdose.
6. Ein batteriebetriebener Lautsprecher mit integrierten Batterien oder einem separaten Akku darf nur mit dem für die Batterie bestimmten Ladegerät aufgeladen werden. Ladegeräte, die für einen bestimmten Typ von Batterie geeignet sind, können beim Gebrauch mit anderen Batterien Feuer verursachen.
7. Verwenden Sie batteriebetriebene Lautsprecher nur mit den speziell dafür vorgegebenen Batterien. Die Verwendung anderer Batterien kann Feuer verursachen.
8. Halten Sie den Akku während des Nichtgebrauchs von anderen Metallgegenständen fern: Büroklammern, Münzen, Schlüssel, Nägel oder andere kleine Metallgegenstände, die eine Verbindung zwischen den Klemmen herstellen können. Ein Kurzschluss der Pole kann Funken, Verbrennungen oder Feuer verursachen.
9. Vermeiden Sie den Körperkontakt mit geerdeten Oberflächen wie Rohre, Heizkörper, Herde und Kühlschränke. Es besteht erhöhte Stromschlaggefahr, falls Ihr Körper geerdet wird.
10. Bei Missbrauch des Geräts kann Flüssigkeit aus der Batterie austreten; Kontakt vermeiden. Bei

versehentlichem Kontakt mit Wasser abspülen. Falls Batterieflüssigkeit in die Augen gelangt, suchen Sie einen Arzt auf. Batterieflüssigkeit kann Reizungen und Verbrennungen verursachen.

11. Verwenden Sie Akkus oder Werkzeuge nicht, falls diese beschädigt sind. Mit beschädigten oder modifizierten Batterien können unvorhergesehene Situationen auftreten, die wiederum Explosionen oder Verletzungen verursachen könnten.
12. Schützen Sie Akkus und Instrumente vor Feuer bzw. übermäßigen Temperaturen. Temperaturen über 130 °C können Explosionen verursachen.
13. Befolgen Sie alle Anleitungen zum Aufladen; laden Sie den Akku oder das Instrument nicht außerhalb des vorgegebenen Temperaturbereichs auf. Falls Sie den Akku unsachgemäß oder außerhalb der richtigen Temperatur aufladen, besteht erhöhte Brandgefahr.
14. Der NETZSTECKER ist die Trennvorrichtung und muss immer zugänglich sein.
15. Verwenden Sie das Produkt nicht über längere Zeiträume mit hoher Lautstärke. Wählen Sie eine moderate Lautstärkeeinstellung, um Gehörschäden zu vermeiden.
16. (Nur für Produkte mit LCD) LCD-Bildschirme enthalten Flüssigkeit, die Hautreizungen und Vergiftung verursachen kann. Falls die Flüssigkeit in Augen, Mund oder auf die Haut gelangt, spülen Sie die betroffenen Stellen mit Wasser ab und wenden Sie sich an einen Arzt.
17. Schützen Sie das Produkt vor Regen oder Feuchtigkeit. Eindringendes Wasser kann die Gefahr von Stromschlägen erhöhen.
18. Dieses Produkt ist nicht geeignet für Personen (einschließlich Kinder) mit eingeschränkten körperlichen, sensorischen oder geistigen Fähigkeiten, oder ohne Erfahrung und Wissen, es sei denn sie werden von einer für ihre Sicherheit zuständigen Person beaufsichtigt oder angeleitet. Kinder müssen beaufsichtigt werden, damit sie nicht mit dem Produkt spielen. Bewahren Sie das Produkt außer Reichweite von Kindern auf.

### DIESE ANLEITUNGEN GUT AUFBEWAHREN

#### SPEZIELLE SICHERHEITSHINWEISE

##### FÜR DAS BATTERIEGEHÄUSE

1. Lesen Sie vor dem Gebrauch des Batteriegehäuses alle Anleitungen und Warnhinweise auf dem Ladegerät (1), der Batterie (2) und dem Produkt (3) durch.
2. Das Batteriegehäuse nicht auseinanderbauen.
3. Falls die Betriebsdauer deutlich nachlässt, beenden Sie umgehend den Gebrauch. Anderenfalls besteht die Gefahr von Überhitzung, Verbrennungen oder sogar Explosionen.
4. Falls Elektrolyt in Ihre Augen gelangt, spülen Sie diese mit klarem Wasser aus und suchen Sie umgehend einen Arzt auf. Anderenfalls besteht die Gefahr, dass Sie Ihr Sehvermögen verlieren.
5. Batteriegehäuse nicht kurzschließen:
  - (1) Lassen Sie die Klemmen nicht mit leitenden Materialien in Kontakt kommen.
  - (2) Bewahren Sie das Batteriegehäuse nicht in einem

Behälter mit anderen Metallgegenständen wie Nägeln, Münzen usw. auf.

- (3) Schützen Sie das Batteriegehäuse vor Wasser und Regen. Der Kurzschluss der Batterie kann einen großen Stromfluss, Überhitzung, Verbrennungen oder sogar einen Ausfall des Geräts verursachen.
6. Bewahren Sie das Gerät und das Batteriegehäuse nicht an Orten mit Temperaturen von über 50 °C(122°F) auf.
7. Verbrennen Sie das Batteriegehäuse nicht, auch wenn dieses extrem beschädigt oder vollständig abgenutzt ist. Das Gehäuse könnte in einem Feuer explodieren.
8. Batterie nicht fallenlassen und vor Aufprall schützen.
9. Verwenden Sie die Batterie nicht, falls diese beschädigt ist.
10. Um Gefahren zu vermeiden, lesen Sie vor dem Gebrauch die Bedienungsanleitung des Akkus durch. Der maximale Entladungsstrom der Batterie muss 8A oder höher sein.
11. Die enthaltenen Lithium-Ion-Batterien unterliegen den Vorschriften des Gefahrgutrechts. Während des Transports, z.B. durch Dritte oder Spediteure, sind spezielle Anforderungen auf der Verpackung und den Etiketten zu beachten.  
Vor dem Versand des Produkts muss ein Experte für Gefahrstoffe konsultiert werden. Beachten Sie außerdem national geltende Vorschriften. Kleben Sie freiliegende Kontakte ab und verpacken Sie die Batterie so, dass sie nicht in der Verpackung herumrutscht.
12. Beachten Sie alle örtlich geltenden Vorschriften bzgl. der Entsorgung von Batterien.
13. Verwenden Sie die Batterien nur mit den von Makita vorgegebenen Produkten. Falls Sie die Batterien in nicht kompatiblen Produkten installieren, können Feuer, Überhitzung und Explosion verursacht werden oder Batterieflüssigkeit austreten.

#### **⚠ VORSICHT:**

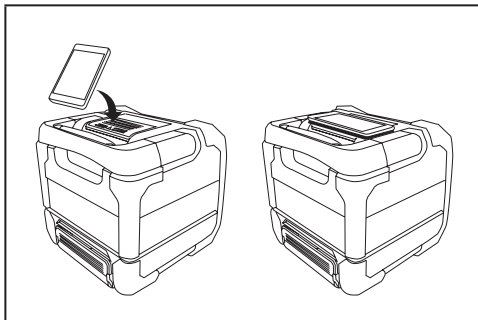
- Es besteht Explosionsgefahr, falls Batterien unsachgemäß ausgetauscht werden.
- Nur durch den gleichen oder einen gleichwertigen Typ ersetzen.
- Verwenden Sie nur echte Makita Batterien. Unechte Makita Batterien oder modifizierte Batterien können zum Zerplatzen der Batterie führen und dadurch Feuer, Verletzungen und Schäden verursachen. In solch einem Fall wird außerdem die Makita Garantie für Makita Instrumente und Ladegeräte nichtigt.

Tipps für eine maximale Nutzungsdauer der Batterie

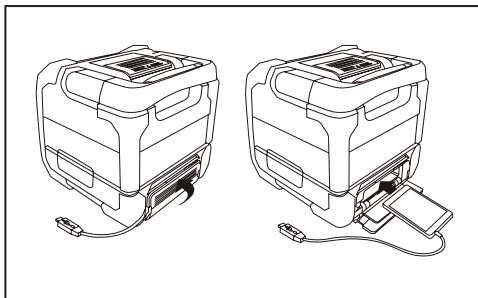
1. Laden Sie die Batterie auf, bevor diese vollständig entladen ist. Beenden Sie den Betrieb und laden Sie die Batterie auf, wenn die Leistung des Geräts nachlässt.
2. Laden Sie eine vollständig geladene Batterie nicht weiter auf. Überladung verkürzt die Lebensdauer.
3. Laden Sie die Batterie bei einer Umgebungstemperatur von 10 °C - 40 °C (50 °F - 104 °F) auf. Lassen Sie ein heißes Batteriegehäuse vor dem Aufladen abkühlen.
4. Laden Sie die Batterie, falls Sie das Gerät längere Zeit (länger als 6 Monate) nicht verwenden werden.

## Übersicht des Geräts (Abb. 1)

1. Verriegelung Batteriefach
2. Ablage für Handy



3. Lautstärke erhöhen
4. Lautstärke reduzieren
5. Wiedergabemodus
6. Nächster Ordner
7. Nächster Titel/ Schneller Suchlauf vorwärts
8. LCD
9. Wiedergabe/Pause
10. Vorheriger Titel/ Schneller Suchlauf rückwärts
11. Vorheriger Ordner/ Bluetooth-Kopplung
12. Quelle
13. Betriebstaste
14. Lautsprecher
15. Griff
16. DC-Eingang
17. AUX-Eingang
18. USB-Ladeanschluss
19. Abdeckung für Handy-Aufbewahrung
20. Kabelöffnung
21. Handy-Aufbewahrung (Mobiltelefon)



22. 14,4 V/18V Batterieanschluss
23. Max. 10,8 V-12V Batterieanschluss
24. USB-Wiedergabebuchse
25. Batterieabdeckung
26. Batteriearte
27. Taste

## Betrieb

Der Lautsprecher kann mit Makita-Akkus betrieben oder an eine herkömmliche Steckdose angeschlossen werden.

## Batteriebetrieb

Wenn im Display die Anzeige "LOW BATTERY" (BATTERIE NIEDRIG) erscheint, ersetzen Sie bitte die Batterie. Die nachfolgende Tabelle ist eine Übersicht mit der jeweiligen Betriebsdauer pro Batterieladung.

Batteriekapazität	Spannung Batteriekarte			BEI LAUTSPRECHERAUSGABE = 100mW Einheit: Stunden (Ca.)			
	10,8V-12V max.	14,4V	18V	USB- Wiedergabe	Bluetooth	AUX- EINGANG	USB-Wiedergabe + USB-Ladebuchse (2,1A)
1.3Ah		BL1415		3.5	5.5	5.5	1.0
			BL1815	4.0	6.0	6.0	1.2
1.5Ah	BL1015 BL1016			5.5	7.5	9.0	0.9
		BL1415N		5.0	7.0	7.0	1.3
			BL1815N	5.5	7.5	7.5	1.4
2.0Ah	BL1020B BL1021B			7.5	10	11	1.1
			BL1820(B)	7.0	10	10	1.9
3.0Ah		BL1430(B)		8.0	12	12	2.2
			BL1830(B)	10	14	14	2.7
4.0Ah	BL1040B BL1041B			14	20	23	2.2
		BL1440		13	19	19	3.5
			BL1840(B)	14	20	20	3.5
5.0Ah		BL1450		16	23	23	4.0
			BL1850(B)	18	26	26	4.5
6.0Ah		BL1460B		17	25	25	4.5
			BL1860B	22	32	32	5.5

**⚠️ WARNUNG:** Verwenden Sie nur die oben aufgeführten Batteriekarten. Die Verwendung anderer Batteriekarten kann Verletzungen und/oder Feuer verursachen.

**Hinweis:** Die Nutzungsdauern in der obigen Tabelle sind nur Richtwerte. Die tatsächliche Nutzungsdauer kann je nach Batterie-Typ, Ladebedingungen bzw. Gebrauchsumgebung variieren.

## Batteriegehäuse installieren und entfernen (Abb. 3 und 4)

- Um das Batteriegehäuse zu installieren, richten Sie die Nase am Batteriegehäuse mit der Einkerbung am Gehäuse des Geräts aus und schieben Sie es hinein, bis es mit einem Klickgeräusch einrastet.
- Falls Sie die rote Anzeige an der Oberseite der Taste sehen können, ist das Batteriegehäuse nicht vollständig eingerastet. Installieren Sie es vollständig, bis die rote

Anzeige nicht mehr zu sehen ist. Andernfalls könnte das Batteriegehäuse aus dem Gerät herausfallen und Verletzungen verursachen.

- Wenden Sie bei der Installation des Batteriegehäuses keine Gewalt an. Falls sich das Batteriegehäuse nicht mühelos hineinschieben lässt, ist es nicht richtig positioniert.
- Entfernen Sie das Batteriegehäuse, indem Sie die Taste an der Vorderseite des Batteriegehäuses drücken und das Gehäuse herausziehen.

**WICHTIG:**

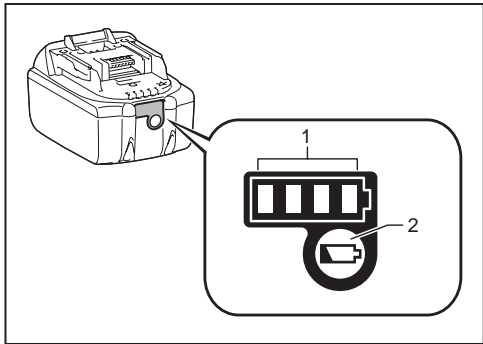
- Achten Sie darauf, dass Sie sich beim Schließen der Batterieabdeckung nicht die Finger einklemmen.

**Hinweis:**

Bei niedriger Batteriekapazität blinkt im LCD die Anzeige "LOW BATTERY".

**Anzeige der verbleibenden Batteriekapazität**

*Nur bei Batteriegehäusen mit „B“ am Ende der Modellnummer*



- ▶ 1. Anzeigelampen 2. Test-Taste

Drücken Sie die Test-Taste am Batteriegehäuse, um die verbleibende Batteriekapazität anzuzeigen. Die Anzeigelampen leuchten einige Sekunden lang auf.

**• 14,4V/18V Batterien**

Anzeigelampen			Verbleibende Kapazität
Leuchtet	Aus	Blinkt	
■ ■ ■ ■			75% ~ 100%
■ ■ ■ □			50% ~ 75%
■ ■ □ □			25% ~ 50%
■ □ □ □			0% ~ 25%
▣ □ □ □			Batterie aufladen
■ ■ □ □	↑ ↓	□ □ ■ ■	Mögliche Fehlfunktion der Batterie

**• Max. 10,8V-12V Batterien**

Anzeigelampen			Verbleibende Kapazität
Leuchtet	Aus	Blinkt	
■ ■ ■ ■			75% ~ 100%
■ ■ ■ □			50% ~ 75%
■ ■ □ □			25% ~ 50%
■ □ □ □			0% ~ 25%

**HINWEIS:** Je nach Gebrauchsbedingungen und Umgebungstemperatur können die Anzeigen leicht von der tatsächlichen Kapazität abweichen.

**Verwendung des mitgelieferten AC-Netzadapters (Abb. 5)**

Entfernen Sie die Gummikappe und schließen Sie den Adapterstecker an die DC-Buchse rechts am Lautsprecher an. Schließen Sie dann den Netzadapter an eine Steckdose an. Bei Anschluss des Netzadapters wird der Akku automatisch getrennt. Trennen Sie den AC-Netzadapter während des Nichtgebrauchs vom Netzstrom.

**WICHTIG:**

- Der Netzadapter verbindet das Radio mit dem Netzstrom. Die Steckdose, mit der das Radio verbunden ist, muss während des normalen Gebrauchs immer zugänglich sein. Um das Radio vollständig vom Netzstrom zu trennen, muss der Netzadapter vollständig aus der Steckdose gezogen werden.
- Verwenden Sie nur das im Lieferumfang enthaltene bzw. ein von Makita empfohlenes AC-Netzteil.
- Halten Sie weder das Netzkabel noch den Netzstecker an Ihren Mund. Es besteht Stromschlaggefahr.
- Berühren Sie den Netzstecker nicht mit nassen oder fettigen Händen.
- Falls das Kabel beschädigt ist, lassen Sie es von einem autorisierten Kundendienst ersetzen, um Gefahrensituationen zu vermeiden. Benutzen Sie es erst wieder nach der Reparatur.
- Bewahren Sie das AC-Netzteil nach dem Gebrauch außer Reichweite von Kindern auf. Kinder können sich verletzen, falls sie mit dem Kabel spielen.

**Stromversorgung via USB**

Verwenden Sie diesen Port zum Aufladen eines Handys oder anderer Geräte, die einen DC-Strom von weniger als 2,1 A benötigen. Zum Aufladen muss der Lautsprecher eingeschaltet sein.

**Hinweis:** Vergewissern Sie sich, dass Ihr externes Gerät wie z.B. Handy, MP3-Player oder iPod mit dem Lautsprecher kompatibel ist. Informieren Sie sich vor dem Aufladen in der Bedienungsanleitung Ihres externen Geräts über dessen technische Daten.

## WICHTIG:


- Bevor Sie ein USB-Gerät mit dem Ladegerät verbinden, sichern Sie immer die Daten des USB-Geräts. Daten können aus unterschiedlichsten Gründen verlorengehen.
- Möglicherweise kann das Ladegerät nicht alle USB-Geräte mit Strom versorgen.
- Trennen Sie das USB-Kabel und schließen Sie die Abdeckung während des Nichtgebrauchs bzw. nach Abschluss des Ladevorgangs.
- Verbinden Sie den USB-Port nicht mit der Stromversorgung. Es besteht Brandgefahr. Der USB-Port ist nur zum Aufladen von Niederspannungsgeräten bestimmt. Installieren Sie immer die Abdeckung auf dem USB-Port, wenn Sie keine Geräte damit aufladen.
- Stecken Sie keine Nägel, Drähte usw. in den USB-Port. Es besteht Rauch- und Brandgefahr.
- Verbinden Sie diesen USB-Anschluss nicht mit dem USB-Port eines PCs; dies könnte zum Ausfall beider Geräte führen.

## Externes Gerät mit dem Lautsprecher koppeln und verbinden

Sie müssen zunächst Ihr Bluetooth-Gerät mit dem Lautsprecher koppeln, bevor Sie mit diesem Lautsprecher Musik via Bluetooth abspielen/übertragen können. Durch die Kopplung entsteht eine "Verbindung", damit sich beide Geräte gegenseitig erkennen.

Für eine bessere Sound-Qualität empfehlen wir, die Lautstärke an Ihrem Bluetooth-Gerät mit einer Einstellung von zwei Dritteln und am Lautsprecher je nach Bedarf einzustellen.

## Erstmalige Kopplung und Wiedergabe Ihres Bluetooth-Geräts

1. Drücken Sie die Betriebstaste  am Lautsprecher; im Display erscheint die Anzeige "BT-KOPPLUNG" und weist somit darauf hin, dass der Lautsprecher verfügbar ist.
2. Aktivieren Sie an Ihrem externen Gerät gemäß dessen Bedienungsanleitung die Bluetooth-Funktion, um es mit dem Lautsprecher zu koppeln. Öffnen Sie die Bluetooth-Geräteliste und wählen Sie das Gerät „DMR202...“. Einige Handys (mit älteren Versionen als BT2.1 Bluetooth) erfordern möglicherweise die Eingabe eines Passworts. Geben Sie in solch einem Fall „0000“ ein.
3. Nach der Verbindung ertönt ein Signalton und im Display erscheint die Anzeige "BT-VERBINDUNG". Sie können nun an Ihrem externen Gerät Musik auswählen und abspielen. Die Lautstärke können Sie am externen Gerät oder am Lautsprecher einstellen.
4. Verwenden Sie die Tasten an Ihrem Bluetooth-fähigen Gerät oder am Lautsprecher, um Titel abzuspielen/ zu unterbrechen bzw. zu suchen.

### Hinweis:







1. Bei der erstmaligen Kopplung von 2 Bluetooth-Geräten suchen beide Geräte nach dem Lautsprecher; an beiden Geräten wird dessen Verfügbarkeit angezeigt. Sobald jedoch ein Gerät mit dem Lautsprecher verbunden ist, erscheint es nicht mehr in der

Geräteliste des zweiten Bluetooth-Geräts.

2. Falls Ihr Bluetooth-Gerät vorübergehend vom Lautsprecher getrennt ist, müssen Sie es erneut manuell mit dem Lautsprecher verbinden.
3. Falls „DMR202“ in der Geräteliste Ihres Bluetooth-Geräts erscheint, jedoch nicht verbunden werden kann, löschen Sie es aus der Liste und führen Sie die Kopplung erneut anhand der vorher beschriebenen Vorgehensweise durch.
4. Die effektive Reichweite zwischen dem System und dem gekoppelten Gerät beträgt ungefähr 10 Meter (30 Fuß). Hindernisse zwischen dem System und dem Gerät können die Betriebsreichweite reduzieren.
5. Bluetooth-Verbindungs-fähigkeit kann je nach verbundenem Bluetooth-Gerät variieren. Informieren Sie sich über die Bluetooth-Fähigkeit Ihres externen Geräts, bevor Sie Ihr Radio verbinden. Einige gekoppelte Bluetooth-Geräte unterstützen möglicherweise nicht alle Funktionen.

## Wiedergabe von Audiodateien im Bluetooth-Modus

Nachdem Sie Ihren Lautsprecher erfolgreich mit einem Bluetooth-Gerät verbunden haben, können Sie Musik unter Verwendung der Tasten am verbundenen Bluetooth-Gerät abspielen.

1. Nach dem Start der Wiedergabe können Sie die Lautstärke mit den Lautstärketasten  an Ihrem Lautsprecher oder Ihrem aktivierten Bluetooth-Gerät einstellen.
2. Beim Drücken der Tasten Lautstärke erhöhen/ Lautstärke reduzieren blinkt die Lautstärkeanzeige schnell rot. Wenn die Anzeige rot leuchtet, ist die maximale oder die geringste Lautstärkeeinstellung erreicht.
3. Verwenden Sie die Tasten an Ihrem Gerät, um die Wiedergabe zu starten/ zu unterbrechen und um Titel auszuwählen. Alternativ dazu können Sie die Wiedergabe mit den Lautsprechertasten Wiedergabe/ Pause  bzw. Nächster Titel  oder Vorheriger  Titel steuern.
4. Halten Sie die Taste Nächster Titel  oder Vorheriger Titel  gedrückt, um den aktuellen Titel vor- oder zurückzuspulen. Lassen Sie die Taste los, sobald Sie die gewünschte Stelle erreicht haben.

### Hinweis:


1. Möglicherweise reagieren nicht alle Anwendungen oder Geräte auf das Drücken der Tasten.
2. Bei einigen Handys wird möglicherweise vorübergehend die Verbindung mit dem Lautsprecher getrennt, während Sie Anrufe tätigen oder entgegennehmen. An einigen Geräten wird die Bluetooth-Übertragung stumm geschaltet, wenn Textnachrichten und E-Mails eingehen oder andere Gründe auftreten, die nicht im Zusammenhang mit der Audioübertragung stehen. Dies liegt am externen Gerät und ist keine Fehlfunktion Ihres Lautsprechers.
3. Informationen wie Titel, Künstler, Album usw. werden während der Wiedergabe im Bluetooth-Modus nicht angezeigt.
4. Die Funktion zur Auswahl des Wiedergabemodus (Wiederholte/Willkürliche Wiedergabe) ist im Bluetooth-Modus nicht verfügbar.

## Geräte speichern und erneut verbinden

Der DMR202 kann bis zu 8 gekoppelte Geräte speichern. Bei Überschreitung der Anzahl dieses Speichers wird der älteste Speichereintrag überschrieben.

Falls Ihr Bluetooth-Gerät bereits zu einem früheren Zeitpunkt mit dem Lautsprecher gekoppelt wurde, erkennt der Lautsprecher das Bluetooth-Gerät und wird immer versuchen, die Verbindung mit dem zuletzt verbundenen Gerät wieder herzustellen. Falls das zuletzt verbundene Gerät nicht verfügbar ist, ist der Lautsprecher nicht erkennbar.

## Bluetooth-Gerät trennen

Halten Sie die Taste Bluetooth  2-3 Sekunden gedrückt, um Ihr Bluetooth-Gerät zu trennen. Die Anzeige Bluetooth blinkt blau und weist darauf hin, dass der Lautsprecher wieder für die Kopplung verfügbar ist.

## Musikwiedergabe via Aux-Eingang

An der rechten Seite des Geräts befindet sich eine 3,5 mm Aux-Eingangsbuchse für die Audioübertragung von externen Geräten, die über einen Kopfhörer- oder Audioausgang verfügen (z.B. iPod, MP3-Player oder CD-Player).

1. Schließen Sie eine Stereo- oder Mono-Audioquelle (z.B. iPod, MP3- oder CD-Player) an den (mit „AUX“ markierten) Eingang an; die Aux-Eingangsanzeige leuchtet grün auf und weist somit auf den Aux-Eingangsmodus hin.
2. Stellen Sie an Ihrem iPod, MP3-Player oder CD-Player die Lautstärke entsprechend ein und nehmen Sie dann die Lautstärkeinstellung an Ihrem Lautsprecher vor.
3. Für eine bessere Sound-Qualität empfehlen wir, die Lautstärke an Ihrem Bluetooth-Gerät mit einer Einstellung von zwei Dritteln und am Lautsprecher je nach Bedarf einzustellen.

### Hinweis:

1. Wenn die Aux-Eingangsbuchse mit einem Audiogerät verbunden ist, schaltet der Lautsprecher vom Bluetooth-Modus in den Aux-Eingangsmodus um. Sie können auch mit der Quelle-Taste den gewünschten Modus einschalten.
2. Informationen wie Titel, Künstler, Album usw. werden während der Wiedergabe im Aux-Eingangsmodus nicht angezeigt.
3. Während der Wiedergabe im Aux-Eingangsmodus können die Wiedergabe und der Wiedergabemodus nicht mit den Tasten am Lautsprecher gesteuert werden.

## Verwendung von USB-Speichergeräten

### Wichtig:

1. Dieser Lautsprecher ist nur für den Gebrauch mit USB-Flashgeräten vorgesehen. Er funktioniert nicht mit Festplatten oder anderen Arten von USB-Geräten.
2. SD- bzw. SDHC-Karten können wiedergegeben werden, sofern sie unter Verwendung eines entsprechenden USB-Adapters verbunden werden. Aufgrund der großen Vielzahl solcher Adapter, können wir nicht


garantieren, dass alle Adapter-/Kartenkombinationen mit diesem Lautsprecher kompatibel sind.

3. Der Lautsprecher wurde mit einer Vielzahl an USB-Speichergeräten von bis zu 32GB getestet. Er unterstützt USB 2.0 Full Speed sowie USB 3.0. (**Hinweis:** Bei der Verwendung von USB 3.0 benötigt der Lautsprecher möglicherweise eine längere Zeit für die Erkennung.)
4. Der Lautsprecher funktioniert nur mit USB-Speichergeräten mit dem Dateisystem FAT oder FAT 32. NTFS wird nicht unterstützt.
5. Unterstützte Audioformate für die Wiedergabe: MP3, WMA und AAC. Dateien, die mit WMA Lossless, WMA Voice, WMA 10 professional oder anderen Formaten mit DRM-Schutz verschlüsselt sind, werden nicht unterstützt.



### ⚠ Vorsicht:

1. Um Schäden am Lautsprecher oder USB-Gerät zu vermeiden, stellen Sie den Lautsprecher so auf, dass das Gerät während der Verbindung mit dem Lautsprecher nicht heruntergestoßen werden kann.
2. Entfernen Sie das USB-Speichergerät, wenn Sie den Lautsprecher tragen oder falls Sie die USB-Funktion längere Zeit nicht verwenden werden.
3. Schalten Sie den Lautsprecher aus, bevor Sie das USB-Gerät trennen.
4. Die USB-Verbindung ist nur für Flash-Speichergeräte vorgesehen. Festplattengeräte werden nicht unterstützt.
5. Die Wiedergabe von USB-Dateien auf MP3-Playern wird nicht garantiert.
6. Es dauert längere Zeit, größere Dateien oder USB-Geräte mit großem Speicher zu lesen.

## Wiedergabe von Dateien auf USB-Speichergeräten

1. Öffnen Sie die Batterieabdeckung und schließen Sie das USB-Speichergerät an den USB-Port im Batteriefach an. Schließen Sie dann wieder die Abdeckung.
2. Drücken Sie die Betriebstaste , um den Lautsprecher einzuschalten; im Display erscheint die Anzeige "Wird gelesen". Der Lautsprecher aktiviert dann den USB-Modus und startet die Wiedergabe vom USB-Speichergerät. Im Display werden die Ordner- und die Dateinummer angezeigt, z.B. "F001 T0001". Am Lautsprecher werden außerdem Lauftexte angezeigt (z.B. Titel, Künstler, Album, usw.), sofern diese Informationen verfügbar sind.

### Hinweis:

- a) Es wird nur die Text-Codierung UNICODE unterstützt. Falls USB-Dateien eine andere Codierung außer UNICODE enthalten, erscheint nur ein unlesbarer Text.
  - b) Sobald das USB-Gerät angeschlossen ist, aktiviert der Lautsprecher automatisch den USB-Modus. Sie können auch die Quelle-Taste drücken, um den jeweils gewünschten Modus einzuschalten.
3. Um die Wiedergabe zu unterbrechen, drücken Sie die Taste Wiedergabe/Pause . Um die Wiedergabe fortzusetzen, drücken Sie die Taste  erneut.

### Hinweis:

- a) Falls Sie den Lautsprecher ausschalten, wird beim nächsten Einschalten des Geräts die Wiedergabe des zuletzt gespielten Titels fortgesetzt.
- b) Falls Sie während der Wiedergabe des USB-Geräts einen anderen Modus einschalten, wird die Wiedergabe

be unterbrochen. Wenn Sie zum USB-Modus zurückkehren, wird die Wiedergabe an der Stelle fortgesetzt, an der der Titel unterbrochen wurde.

- c) Es wird empfohlen, nur Musikdateien (MP3/WMA/AAC) auf dem externen USB-Gerät zu speichern. Falls ein Ordner mit einer anderen Datei/ anderen Dateien vorhanden ist, wird der Lautsprecher diese Dateien/ Ordner überspringen und die im Display angezeigten Nummern sind dann nicht fortlaufend.

## Datei auswählen

- Drücken Sie während der USB-Wiedergabe die Taste Nächster Titel **▶▶** oder Vorheriger Titel **◀◀**, um die gewünschte Datei auszuwählen; im Display erscheint die entsprechende Dateinummer. Falls mehr als ein Ordner vorhanden ist, werden zunächst alle Dateien im aktuellen Ordner und anschließend der nächste Ordner abgespielt.
- Halten Sie die Taste Nächster Titel **▶▶** oder Vorheriger Titel **◀◀** gedrückt, um den aktuellen Titel vor- oder zurückzuspulen. Lassen Sie die Taste an der gewünschten Stelle im Titel los.

## Anderen Ordner auswählen

Drücken Sie im Wiedergabe- oder Pause-Modus der USB-Wiedergabe die Taste Nächster Ordner **▶▶**, oder Vorheriger Ordner **◀◀**. Es wird die erste Datei des nächsten bzw. vorherigen Ordners wiedergegeben.

### Hinweis:

Falls auf dem USB-Gerät ein Ordner ohne Dateien vorhanden ist, überspringt das Gerät diesen Ordner und gibt die Dateien im nächsten Ordner wieder.

## Wiedergabemodus

Drücken Sie während der USB-Wiedergabe die Taste Wiederholte/Willkürliche Wiedergabe für die Auswahl des Modus.

**Repeat 1:** Der aktuelle Titel wird wiederholt abgespielt.

**Repeat Folder:** Der aktuelle Ordner wird wiederholt abgespielt.

**Random:** Alle Dateien auf dem USB-Gerät werden in willkürlicher Reihenfolge wiedergegeben.

**Repeat All:** Alle Ordner auf dem Gerät werden wiederholt abgespielt.

## WARTUNG

### ⚠ VORSICHT:

- Verwenden Sie niemals Kraftstoff, Benzin, Verdüner, Alkohol oder ähnliches; dies könnte zu Verfärbungen, Verformungen oder Rissen führen.

## Technische Daten

Verstärker	
Ausgangsleistung	10,8V-12V max.: 3W 14,4V:6W 18V:10W
Frequenzbereich	50Hz~20kHz
Aux-Eingang	
Eingangsempfindlichkeit	250mVrms @100Hz
Lautsprecher	
Hauptlautsprecher	101.6mm 8ohm 10W
Tweeter-Lautsprecher	36mm 8ohm 10W

Bluetooth (Die Bluetooth®-Wortmarke und die Bluetooth®-Logos sind eingetragene Marken von Bluetooth SIG, Inc.)	
Bluetooth-Version	4.0
Bluetooth-Profil	A2DP SCMS-T AVRCP
Übertragungsleistung	Leistungsklasse 2
Übertragungsbereich	Max. 10m (abhängig von Gebrauchsbedingungen)
Unterstützter Codec	SBC
Kompatibles Bluetooth-Profil	A2DP
Max. Funkfrequenzleistung	BT EDR: 3.88dBm BT LE: -1.4dBm
Betriebsfrequenz	2402MHz~2480MHz

USB-Port	
USB-Standards	USB3.0 / USB2.0
Kompatibles Dateisystem	FAT 32/16/12
Unterstützte Audioformate	MP3 / WMA / AAC
Max. Strom	500 mA (Max.)

Allgemein	
AC-Netzteil	DC-Eingang 12V 1,5A, mittlere positive Klemme
Batterie	Steckbatterie: 10,8 V-12V max. 14,4 V 18 V
Abmessungen (B x H x T)	211 mm x 206 mm x 199 mm
Gewicht	2,7 kg (ohne Batterie)

Wir behalten uns das Recht vor, die technischen Daten ohne Vorankündigung zu ändern.



## Legenda

Qui di seguito vengono descritti i simboli usati per l'apparecchio. Accertarsi di comprendere il loro significato prima dell'uso.



Leggere il manuale delle istruzioni.



Solo per i paesi della UE  
Non gettare batterie o dispositivi elettrici con i rifiuti domestici ordinari!  
Nel rispetto delle Direttive Europee sui Dispositivi Elettrici ed Elettronici di Scarto e sulle Batterie e Accumulatori e sulle Batterie ed Accumulatori di Scarto e la loro implementazione in accordo con le leggi nazionali, i dispositivi elettrici e le batterie al termine del loro ciclo vitale devono essere raccolte separatamente e consegnate a una struttura di riciclaggio nel rispetto dell'ambiente.

## IMPORTANTI ISTRUZIONI PER LA SICUREZZA

### ⚠ AVVERTENZE:

Quando si usa un utensile elettrico, per ridurre il rischio di incendi, scosse elettriche e infortuni, è necessario seguire alcune precauzioni di base, incluse le seguenti:

1. Prima dell'uso, studiare bene il presente manuale e il manuale delle istruzioni del caricabatteria.
2. Pulire solo con un panno asciutto.
3. Non installare nei pressi di fonti di calore, quali stufe, termosifoni, radiatori o altri apparecchi che producano calore (amplificatori inclusi).
4. Usare esclusivamente gli accessori specificati dal produttore.
5. Staccare la spina dell'apparecchio durante i temporali o se non intende usarlo per lunghi periodi.
6. Un altoparlante a batterie, integrate o in pacco, va ricaricato esclusivamente utilizzando il caricabatteria specifico per quel tipo di batterie. Un caricabatteria compatibile con altri tipi di batterie, può presentare il rischio di incendio se utilizzato con batterie di tipo diverso.
7. L'altoparlante a batterie va usato solo con il tipo di batterie per cui è stato progettato. L'uso di batterie di diverso tipo può comportare il rischio di incendi.
8. Quando il pacco di batterie non è in uso, va tenuto separato da altri oggetti in metallo, quali: fermagli, monete, chiavi, viti e altri oggetti metallici minuti, che potrebbero mettere in cortocircuito i due poli della batteria, con il rischio di causare scintille, e quindi incendi o ustioni.
9. Evitare il contatto personale con superfici dotate di messa terra, quali tubi, termosifoni, fornelli e frigoriferi. Il rischio di scossa elettrica aumenta notevolmente se il proprio corpo è connesso a una presa a terra.
10. Se abusate, le batterie potrebbero espellere gli elettroliti al loro interno, il contatto con i quali va evitato. In caso di contatto accidentale, sciacquare con acqua. In caso di contatto con gli occhi, rivolgersi a

un medico. Gli elettroliti espulsi dalle batterie possono causare ustioni chimiche o irritazioni.

11. Non usare batterie o strumenti danneggiati o modificati. Le batterie danneggiate o modificate potrebbero comportarsi in maniera imprevedibile, causando incendi, esplosioni e lesioni.
12. Non esporre le batterie al fuoco o a temperature sopra i 130°C, o potrebbero esplodere.
13. Seguire tutte le istruzioni per la ricarica e non caricare le batterie e gli strumenti a temperature che eccedano quelle indicate nelle istruzioni. Ricaricare in maniera inappropriata o a temperature non consentite può danneggiare la batteria e aumentare il rischio di incendi.
14. La SPINA dell'apparecchio funge da dispositivo di scollamento di emergenza, e come tale va mantenuta prontamente accessibile.
15. Non usare il prodotto ad alto volume per lunghi periodi di tempo. Per preservare l'udito, usare il prodotto a volume moderato.
16. (Solo per prodotti con quadrante LCD) I quadranti LCD contengono sostanze liquide tossiche ed irritanti. Se il liquido entra in contatto con gli occhi, la bocca o la pelle, sciacquare con acqua e contattare un medico.
17. Non esporre il prodotto a pioggia o umidità. L'ingresso di acqua nel prodotto può aumentare il rischio di scossa elettrica.
18. Questo prodotto non è adatto ad essere usato da persone, bambini inclusi, con ridotte capacità fisiche, mentali o sensoriali, o prive della necessaria esperienza e perizia, a meno che non siano istruite e supervisionate da un tutore responsabile per la loro incolumità. I bambini devono essere supervisionati per accertarsi che non giochino con il prodotto. Conservare il prodotto fuori della portata dei bambini.

## CONSERVARE QUESTE ISTRUZIONI

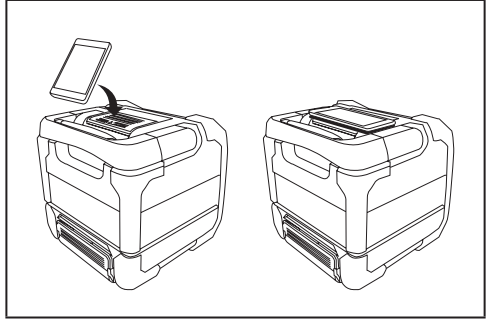
### AVVERTENZE PER LA SICUREZZA

#### SPECIFICHE PER IL PACCO DI BATTERIE

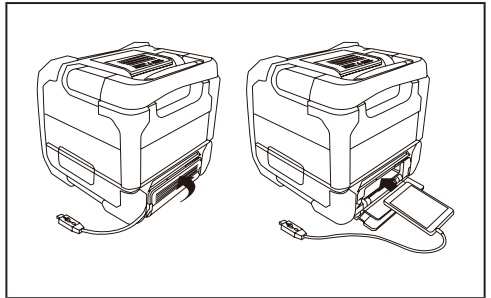
1. Prima di usare il pacco di batterie, leggere tutte le istruzioni e i contrassegni di avvertenza sul pacco batterie (1), sulle batterie (2) e sul prodotto che usa le batterie (3).
2. Non smontare il pacco batterie.
3. Se la durata delle batterie si riduce eccessivamente, cessare immediatamente l'uso, onde evitare il rischio di surriscaldamenti, ustioni e perfino esplosioni.
4. Nel caso gli elettroliti della batteria finiscano negli occhi, sciacquare con acqua pulita e rivolgersi immediatamente a un medico. C'è il rischio di danni alla vista.
5. Non mettere il pacco delle batterie in cortocircuito:
  - (1) Non toccare i poli con materiali conduttori;
  - (2) Non riporre il pacco delle batterie in contenitori con altri oggetti metallici, quali chiodi, monete e simili;
  - (3) Non esporre la batteria ad acqua o umidità.
 Un cortocircuito della batteria può causare sovraccarichi di tensione, surriscaldamenti, ustioni ed anche guasti.
6. Non riporre l'apparecchio e il pacco delle batterie in luoghi con temperature vicine o superiori ai 50°C.

## Descrizione del prodotto (Fig.1)

1. Vano Batterie
2. Pannello di Alloggio per Cellulare



3. Tasto Aumento Volume
4. Tasto Diminuzione Volume
5. Tasto Modalità Riproduzione
6. Tasto Cartella Successiva
7. Tasto Brano Successivo / Avanzamento Veloce
8. Quadrante LCD
9. Tasto Avvio / Pausa
10. Tasto Brano Precedente / Riavvolgimento Veloce
11. Tasto Cartella Precedente / Tasto Sincronizzazione Bluetooth
12. Tasto Selezione Fonte
13. Tasto di Accensione
14. Altoparlante
15. Maniglia
16. Presa DC-IN
17. Presa Ingresso Ausiliario
18. Presa Ricarica USB
19. Sportello Alloggio Cellulare
20. Foro per Cavo
21. Alloggio Cellulare



22. Terminale Batteria 14,4~18V
23. Terminale Batteria 10,8~12V massimo
24. Presa Riproduzione USB
25. Sportello Vano Batteria
26. Cartuccia Batteria
27. Tasto

7. Non bruciare il pacco delle batterie, anche se severamente danneggiato o completamente usurato, o potrebbe incendiarsi ed anche esplodere.
8. Fare attenzione a non sottoporre le batterie a urti o cadute.
9. Non usare le batterie se danneggiate.
10. Per evitare rischi, leggere il manuale delle batterie sostituibili prima dell'uso. L'emissione massima della batteria dovrebbe essere pari o superiore a 8A.
11. Le incluse batteria agli ioni di litio sono soggette ai requisiti della Legislazione sulle Merci Pericolose. Per il trasporto commerciale da parte di terzi e di spedizionieri è necessario osservare i requisiti speciali riguardanti il confezionamento e l'etichettatura. Per la preparazione alla spedizione di tali articoli è richiesto di consultare un esperto in materiali pericolosi. Osservare inoltre qualsiasi altra legge locale. Isolare con nastro o mascherare i contatti esposti, e fissare la batteria in modo che non si muova all'interno del pacco.
12. Rispettare le leggi locali in materia di smaltimento delle batterie usate.
13. Usare le batterie solo con i prodotti specificati da Makita. Installando le batterie su prodotti non conformi ci si espone al rischio di incendi, surriscaldamento, esplosioni o perdite di elettroliti.

### ⚠ ATTENZIONE:

- Pericoloso di esplosione se la batteria non è sostituita correttamente.
- Sostituire solo con batterie dello stesso modello o equivalenti.
- Usare solo batterie Makita originali. L'uso di batterie non originali, o di batterie alterate comporta il rischio di esplosioni, lesioni personali e danni. Inoltre, inficerebbe la garanzia Makita per lo strumento e il caricabatteria Makita.

Suggerimenti per estendere al massimo la durata complessiva della batteria

1. Ricaricare il pacco della batteria prima che sia del tutto scarico. Se si nota un calo di potenza, cessare sempre l'uso dell'apparecchio e ricaricarne le batterie.
2. Non ricaricare mai delle batterie già completamente cariche. L'eccessiva ricarica può compromettere la durata complessiva delle batterie.
3. Ricaricare le batterie a temperatura ambiente (10°C ~ 40°C). Se calde, lasciarle raffreddare prima di ricaricarle.
4. Ricaricare le batterie se non si intende usarle per lunghi periodi (superiori ai sei mesi).

## Alimentazione

L'altoparlante può essere alimentato a batterie o collegandolo a una prese elettrica.

### Alimentazione a batteria

Sostituire la batteria se sul quadrante appare la scritta "LOW BATTERY" (batteria scarica).

La seguente tabella indica l'autonomia per le singole ricariche.

Capacità Batteria	Voltaggio Cartuccia Batteria			USCITA ALTOPARLANTE AT = 100mW Unità: Ora (circa)			
	Massimo 10,8~12V	14,4V	18V	Riproduzione USB	Bluetooth	AUX IN	Riproduzione USB + Ricarica USB (2,1A)
1.3Ah		BL1415		3.5	5.5	5.5	1.0
			BL1815	4.0	6.0	6.0	1.2
1.5Ah	BL1015 BL1016			5.5	7.5	9.0	0.9
		BL1415N		5.0	7.0	7.0	1.3
			BL1815N	5.5	7.5	7.5	1.4
2.0Ah	BL1020B BL1021B			7.5	10	11	1.1
			BL1820(B)	7.0	10	10	1.9
3.0Ah		BL1430(B)		8.0	12	12	2.2
			BL1830(B)	10	14	14	2.7
4.0Ah	BL1040B BL1041B			14	20	23	2.2
		BL1440		13	19	19	3.5
			BL1840(B)	14	20	20	3.5
5.0Ah		BL1450		16	23	23	4.0
			BL1850(B)	18	26	26	4.5
6.0Ah		BL1460B		17	25	25	4.5
			BL1860B	22	32	32	5.5

**⚠ ATTENZIONE:** Usare solo le cartucce per batteria sopra elencate. L'uso di qualsiasi altra cartuccia per batteria espone l'utente al rischio di incendi e lesioni gravi.

**Nota:** La tabella relativa ai tempi operativi della batteria qui sopra riportata vale come riferimento. Il tempo operativo reale può variare a seconda del tipo di batteria, delle condizioni di ricarica e dell'ambiente operativo.

### Installare o rimuovere il pacco batterie a inserimento (fig. 3 e 4)

- Per installare il pacco delle batterie, allinearne la linguetta con la fessura dell'alloggio, quindi spingerlo all'interno. Inserirlo sempre completamente fino a udire lo scatto.
- Se si vede la luce rossa sul lato superiore del tasto, significa che l'inserimento non è completo. Completare l'inserimento fino allo spegnersi della luce rossa, o le batterie potrebbero scivolare fuori, causando infortuni all'utente o a terzi.

- Non esercitare eccessiva forza nell'inserire il pacco delle batterie. Se il pacco non entra con facilità, significa che non lo si sta inserendo correttamente.
- Per rimuovere il pacco batterie, farlo scivolare fuori dall'apparecchio mentre si tiene premuto il tasto sul lato anteriore del pacco stesso.

#### IMPORTANTE:

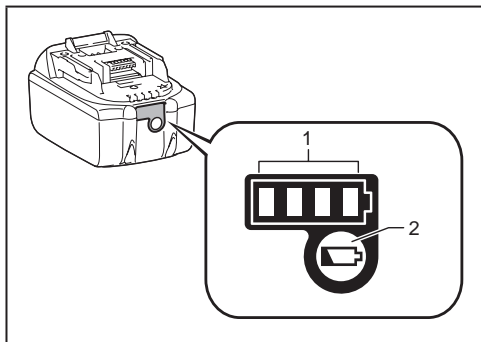
- Fare attenzione a non pizzicarsi le dita quando si richiude lo sportello del vano batteria.

#### Nota:

Quando la batteria dell'altoparlante è scarica, sul quadrante LCD lampeggerà la scritta 'LOW BATTERY'.

## Indicatore di livello residuo della batteria

Solo per pacchi batterie contrassegnati con "B" alla fine del numero del modello



► 1. Indicatore luminoso 2. Tasto di controllo  
Premere il tasto di controllo sul pacco delle batterie per verificare il livello di carica residuo. L'indicatore luminoso si accenderà per pochi secondi.

### Batterie 14,4~18V

Indicatore luminoso			Livello residuo
Acceso	Spento	Lampeggiante	
■	■	■	75% ~ 100%
■	■	□	50% ~ 75%
■	■	□	25% ~ 50%
■	□	□	0% ~ 25%
◻	◻	◻	Ricaricare le batterie
■	■	□	Possibile avaria delle batterie
□	□	■	

### Batterie 10,8~12V massimo

Indicatore luminoso			Livello residuo
Acceso	Spento	Lampeggiante	
■	■	■	75% ~ 100%
■	■	□	50% ~ 75%

■ ■ □ □	25% ~ 50%
■ □ □ □	0% ~ 25%

**NOTA:** Il valore indicato potrebbe variare leggermente dalla capacità effettiva, a seconda delle condizioni d'uso e della temperatura ambientale.

## Uso dell'adattatore CC in dotazione (Fig. 5)

Rimuovere la protezione in gomma e collegare l'adattatore alla presa CC posta sul lato destro dell'altoparlante, quindi collegare l'adattatore a una presa elettrica standard. Collegando l'adattatore il pacco batterie viene automaticamente disinserito. L'adattatore CC deve essere scollegato dalla rete elettrica quando non lo si usa.

### IMPORTANTE:

- L'adattatore CC serve a collegare l'altoparlante alla rete elettrica. La presa elettrica dell'altoparlante deve essere mantenuta accessibile durante l'uso. Per scollegare completamente l'altoparlante dalla rete elettrica è necessario scollegare completamente l'adattatore dalla presa elettrica.
- Usare esclusivamente l'adattatore AC in dotazione con il prodotto o uno specificatamente indicato da Makita.
- Non mettere in bocca il cavo di alimentazione o la spina, o si rischierebbe una scossa elettrica.
- Non toccare la spina con mani umide o unte.
- Se il cavo di alimentazione dovesse subire danni, andrà sostituito da un nostro centro di assistenza autorizzato, così da evitare rischi per la sicurezza. Non usare il cavo prima che sia riparato.
- Dopo l'uso, riporre l'adattatore AC al di fuori della portata dei bambini. I bambini non devono giocare con il cavo, o potrebbero farsi male.

## Presenza di Alimentazione USB

Questa presa può essere usata per ricaricare un cellulare o un qualsiasi altro dispositivo che utilizza corrente CC con amperaggio inferiore ai 2,1A. La ricarica può essere effettuata solo con l'altoparlante spento.

**Nota:** Accertarsi che le specifiche tecniche del dispositivo esterno (cellulare, lettore MP3 o iPod) siano compatibili con la corrente erogata dall'altoparlante. Prima di procedere alla ricarica del dispositivo esterno, leggerne il manuale di istruzioni.

### IMPORTANTE:

- Prima di ricaricare un dispositivo con la presa USB, effettuare sempre una copia dei dati in esso contenuti, onde evitarne la possibile perdita.
- Il caricabatteria potrebbe non essere in grado di ricaricare alcuni dispositivi USB.
- Se non lo si usa, rimuovere il cavo USB e chiuderne il coperchio.
- Non collegare l'alimentazione alla porta USB, onde prevenire il rischio di incendi. La porta USB va usata solo con i voltaggi più bassi. Rimettere sempre il coperchio sulla porta USB quando non la si usa.


- Non inserire chiodi, cavi e oggetti simili nella porta USB, o si potrebbe causare un cortocircuito con conseguente rischio di incendio.
- Non collegare la porta USB dell'altoparlante alla porta USB di un computer, in quanto è altamente possibile causare guasti e danni permanenti.

## Collegare e sincronizzare un dispositivo all'apparecchio

Per riprodurre brani musicali con l'altoparlante via Bluetooth, si dovrà sincronizzare il proprio dispositivo Bluetooth con l'altoparlante stesso, in modo che i due dispositivi possano riconoscersi l'un l'altro.

Per una migliore qualità audio, si consiglia di regolare il volume del proprio dispositivo ad almeno due terzi del massimo, e quindi di regolare il volume dell'altoparlante al livello desiderato.

## Sincronizzazione iniziale di un dispositivo Bluetooth per riprodurre musica







1. Attivare l'altoparlante con il Tasto di Accensione , e sul quadrante apparirà la scritta 'BT PAIR' a confermare che l'altoparlante è rilevabile.
2. Attivare Bluetooth sul proprio dispositivo secondo le istruzioni per collegare l'altoparlante contenute nel manuale. Nella lista dei dispositivi Bluetooth rilevati selezionare "DMR202". Alcuni dispositivi, dotati di una versione precedente alla BT2.1, potrebbe essere necessario inserire la password "0000".
3. Una volta connesso, si udrà un segnale acustico e si leggerà 'BT CONNECT' sul quadrante. Basterà ora selezionare un brano dal proprio dispositivo per riprodurlo. Il volume può essere regolato dal proprio dispositivo o direttamente dall'altoparlante.
4. Usare i controlli del dispositivo Bluetooth esterno o dell'altoparlante per avviare la riproduzione, metterla in pausa e navigare i brani.

### Nota:

1. Sincronizzando per la prima volta due dispositivi Bluetooth, entrambi riporteranno l'altoparlante nella lista dei dispositivi rilevati. Tuttavia, collegando uno dei dispositivi, sulla lista dell'altro non sarà più possibile rilevare l'altoparlante.
2. Se il proprio dispositivo viene temporaneamente scollegato dall'altoparlante, sarà necessario ricollegarlo manualmente.
3. Nel caso l'DMR202 appaia nell'elenco dei dispositivi Bluetooth rilevati, ma sia impossibile stabilire la connessione con esso, cancellarlo dall'elenco e ripetere la sincronizzazione seguendo le istruzioni precedenti.
4. Il raggio di azione effettivo tra l'altoparlante e il dispositivo con esso sincronizzato è di circa 10 metri. Ogni ostacolo tra i due dispositivi potrebbe ridurre tale raggio d'azione.
5. Le prestazioni della connessione Bluetooth possono variare a seconda dei dispositivi connessi. Fare riferimento alle capacità Bluetooth del dispositivo esterno prima di collegarlo all'altoparlante. Non è possibile garantire il supporto di tutte le funzioni su alcuni dispositivi Bluetooth sincronizzati.

## Riproduzione di file audio in modalità Bluetooth

Una volta completata la connessione tra l'altoparlante e il dispositivo Bluetooth esterno, sarà possibile usare i controlli di quest'ultimo per avviare l'ascolto.

1. Una volta avviato l'ascolto, regolare il volume  con i controlli dell'altoparlante o del dispositivo Bluetooth esterno.
2. Usando i tasti per alzare o abbassare il volume sull'altoparlante, l'indicatore del volume lampeggerà in rosso. Se l'indicatore rimane fisso in rosso, significa che il volume è al massimo o al minimo.
3. Usare i controlli del dispositivo esterno per avviare, mettere in pausa e navigare i brani. In alternativa, è possibile usare i controlli dell'altoparlante: Avvio/Pausa , Brano Successivo , Brano Precedente .
4. Tenere premuti i tasti Brano Successivo  o Brano Precedente  per navigare a velocità avanzata all'interno di un singolo brano. Rilasciare il tasto una volta raggiunto il punto desiderato all'interno del brano.


### Nota:

1. Non tutte le applicazioni e i dispositivi rispondono a questi controlli.
2. Alcuni cellulari potrebbero disconnettersi temporaneamente dall'altoparlante quando si riceve o effettua una chiamata. Alcuni dispositivi potrebbero interrompere temporaneamente il loro segnale audio Bluetooth al ricevimento di messaggi di testo, email o per altre ragioni non relative al segnale audio. Ciò è dovuto a una funzione del dispositivo esterno, e non un'avaria dell'altoparlante.
3. Con la funzione Bluetooth attiva, il quadrante non mostra le informazioni relative a titolo, artista, album, etc.
4. Le modalità di riproduzione Ripeti e Casuale non sono disponibili in modalità Bluetooth.

## Memoria dell'altoparlante e riconnessione a un dispositivo

L'altoparlante può memorizzare fino a 8 serie di dispositivi sincronizzati. Quando la memoria si esaurisce, l'ultimo dispositivo sincronizzato verrà sovrascritto. Se si è già sincronizzato l'altoparlante con un dispositivo Bluetooth esterno, la sincronizzazione avverrà in maniera automatica. Nel caso l'ultimo dispositivo connesso non sia disponibile, l'altoparlante apparirà nella lista dei dispositivi rilevati.

## Scollegare il Dispositivo Bluetooth Esterno

Tenere premuto per 2-3 secondi il tasto di sincronizzazione Bluetooth  per scollegare il dispositivo esterno. L'indicatore Bluetooth lampeggerà in blu a confermare che l'altoparlante è ora rilevabile e disponibile ad essere sincronizzato.

## Riproduzione di Musica tramite l'ingresso ausiliario Aux-In

L'altoparlante è dotato di un ingresso ausiliario da 3,5mm posto sul suo lato destro, che gli permette di ricevere un segnale audio da un qualsiasi dispositivo dotato di un'uscita audio o per cuffie (iPod, lettore MP3 o lettore CD).

1. Collegare una sorgente audio mono o stereo (ad esempio, iPod, lettore MP3 o lettore CD) all'ingresso ausiliario (contrassegnato 'AUX'), e l'indicatore Aux-In confermerà la connessione accendendosi in verde.
2. Regolare il volume sul dispositivo esterno (iPod, lettore MP3 o lettore CD) per ottimizzare il segnale, e quindi regolare il volume dell'altoparlante sul livello desiderato.
3. Per una migliore qualità audio, si consiglia di regolare il volume del proprio dispositivo ad almeno due terzi del massimo, e quindi di regolare il volume dell'altoparlante al livello desiderato.

### Nota:

1. Collegando un dispositivo alla presa Aux-In l'altoparlante disattiverà automaticamente la modalità Bluetooth per passare alla modalità Ingresso Ausiliario. È possibile selezionare la modalità desiderata in qualsiasi momento con il tasto Selezione Fonte.
2. Se collegato tramite l'ingresso ausiliario, il quadrante non mostra le informazioni relative a titolo, artista, album, etc.
3. I tasti dell'altoparlante non sono utilizzabili con l'apparecchio collegato all'ingresso ausiliario.

## Uso delle memorie USB

### Importante:


1. L'altoparlante è progettato per funzionare solo con memorie USB Flash, e non è adatto alla connessione con dischi fissi o altri tipi di dispositivo USB.
2. La riproduzione da schede SD o SDHC è possibile purché siano contenute in un adattatore USB compatibile. Tuttavia, l'ampia varietà di tali prodotti sul mercato rende impossibile garantire che tutte le combinazioni adattatore/scheda possano funzionare.
3. L'altoparlante è stato testato con un'ampia gamma di memorie USB con fino a 32GB di capacità. Supporta USB 2.0 a piena velocità e USB 3.0 (**Nota:** con le memorie USB 3.0 l'altoparlante avrà bisogno di più tempo per rilevare il dispositivo).
4. Per essere compatibile con l'altoparlante, la memoria USB dovrà usare i sistemi di archiviazione FAT o FAT 32. Il sistema NTFS non è supportato.
5. È supportata la riproduzione di file audio nei formati MP3, WMA e AAC. La riproduzione non supporta i file codificati usando i codec 'WMA Lossless', 'WMA Voice', 'WMA 10 Professional' e i file in qualsiasi formato con protezione DRM.

### ⚠ Avvertenze:



1. Per minimizzare il rischio di danni alla memoria USB e all'altoparlante, sistemare quest'ultimo in modo che il dispositivo esterno non possa essere facilmente urtato mentre è collegato.
2. Rimuovere la memoria USB prima di spostare l'altoparlante o e non si intende usare la modalità USB per un periodo protratto.

3. Spegnerne l'altoparlante prima di rimuovere la memoria USB.
4. La connessione USB è adatta solo a memorie Flash. L'uso di dischi fissi non è supportato.
5. La riproduzione via USB di file contenuti in lettori MP3 non è garantita.
6. I file o le memorie USB di grandi dimensioni necessitano di più tempo per la lettura.

## Riproduzione di file da memorie USB

1. Aprire lo sportello del vano batteria e inserire la memoria USB nell'apposito alloggiamento al suo interno. Richiudere lo sportello del vano.
2. Attivare l'altoparlante con il Tasto di Accensione  e sul quadrante LCD lampeggerà la scritta 'Reading' (lettura in corso). L'altoparlante entrerà quindi in modalità USB ed inizierà a riprodurre i brani dalla memoria USB. Il quadrante riporterà la cartella e il numero del file (es. F001 T0001). L'altoparlante mostrerà inoltre altre informazioni, quali titolo, artista, album e altre, se disponibili.




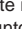
### Nota:

- a) È codificabile solo il testo in UNICODE, se i file nella memoria USB contengono testo non in UNICODE, i messaggi potrebbero essere in testo incomprensibile.
- b) Una volta collegata la memoria USB, l'altoparlante entrerà automaticamente in modalità USB. È possibile selezionare la modalità desiderata in qualsiasi momento premendo il tasto Selezione Fonte.
3. Per interrompere la riproduzione, premere il tasto Avvio/Pausa . Per riprendere la riproduzione, premere nuovamente il tasto Avvio/Pausa .


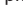
### Nota:

- a) Quando si riattiva l'altoparlante dopo averlo spento, la riproduzione riprenderà dal brano selezionato al momento dello spegnimento.
- b) Selezionando una diversa modalità durante la riproduzione da memoria USB, la riproduzione verrà interrotta. Tornando alla modalità USB, la riproduzione riprenderà dal punto nella quale era stata interrotta.
- c) Si consiglia di salvare nella memoria USB solo file musicali nei formati MP3, WMA e AAC. Se la cartella dovesse contenere file in formati diversi, l'altoparlante salterà questi file o cartelle, e il numero relativo al file o cartella sul quadrante cesserà di essere seriale.

## Selezionare un file

1. Durante la riproduzione da memoria USB, premere il tasto Brano Successivo  o Brano Precedente  per selezionare un brano diverso. Il numero del file sul quadrante verrà aggiornato. Con più cartelle, la cartella successiva sarà selezionata una volta esauriti i brani nella cartella corrente.
2. Tenere premuto il tasto Brano Successivo  o Brano Precedente  per spostarsi velocemente nel brano corrente. Lasciare il tasto una volta raggiunto il punto desiderato.

## Passare a un'altra cartella

Con la riproduzione da memoria USB in corso o in pausa, premere e rilasciare il tasto Cartella Successiva  o il tasto Cartella Precedente . Verrà riprodotto il primo file della cartella selezionata.

### Nota:

Se la memoria USB contiene una cartella senza file, questa sarà saltata a favore della cartella successiva.

## Modalità di Riproduzione

Durante la riproduzione da memoria USB, premere e rilasciare il tasto Ripeti/Casuale per selezionare:

**Repeat 1:** ripete il brano corrente.

**Repeat Folder:** ripete i brani nella cartella corrente.

**Random:** riproduzione dei brani in ordine casuale.

**Repeat All:** ripete tutti i brani contenuti nella memoria USB.

## MANUTENZIONE

### ⚠ ATTENZIONE:

- Non applicare mai sul prodotto benzine, solventi, diluenti, alcool e simili, in quanto potrebbero deformarlo, scolorirlo o incrinarlo.

## Specifiche Tecniche

Amplificatore	
Potenza in uscita	10,8~12V massimo: 3W 14.4V:6W 18V:10W
Risposta in frequenza	50Hz~20kHz
Ingresso Aux-In	
Sensibilità ingresso	250mVrms @100Hz
Altoparlante	
Altoparlante principale	101.6mm 8Ω10W
Altoparlante suoni alti (tweeter)	36mm 8Ω10W

Bluetooth (Bluetooth® e i relativi loghi sono marchi registrati di Bluetooth SIG, Inc.)	
Versione Bluetooth	4.0
Profilo Bluetooth	A2DP SCMS-T AVRCP
Trasmissione energia	Energia Classe 2
Raggio d'azione	Massimo 10m (varia con le condizioni d'uso)
Codec Supportato	SBC
Profilo compatibilità Bluetooth	A2DP
Massima potenza frequenza radio	BT EDR: 3.88dBm BT LE: -1.4dBm
Frequenza di funzionamento	2402MHz~2480MHz

Presenza Riproduzione USB	
Standard USB	USB 3.0 / USB 2.0
Sistema File Compatibile	FAT 32/16/12
Formati Audio Compatibili	MP3 / WMA / AAC
Corrente Massima	500mA (massima)

Generali	
Adattatore AC	DC-IN 12V-1,5A spina centrale positiva
Batteria	Batteria scorrevole: 10,8~12V massimo 14,4V 18V
Dimensioni in mm (LxAxP)	211x206x199
Peso	2,7kg (senza batteria)

Il produttore si riserva il diritto di modificare le specifiche tecniche senza preavviso.

### Symbolen

Hieronder worden de symbolen getoond die worden gebruikt voor de apparatuur. Zorg ervoor dat u de betekenis van de symbolen begrijpt voordat u het apparaat gebruikt.



Lees de handleiding



Alleen voor EU-landen  
Gooi elektrische apparatuur of accu's niet weg met het huisvuil!  
Volgens Europese richtlijnen inzake afgedankte elektrische en elektronische apparaten, batterijen, accu's en wegwerpbatterijen en de toepassing daarvan binnen de nationale wetgeving, dienen gebruikte elektrische apparaten en accu's die het einde van hun levensduur hebben bereikt, gescheiden te worden ingezameld en te worden teruggebracht naar een recyclebedrijf dat voldoet aan de geldende milieueisen.

## BELANGRIJKE VEILIGHEIDSLINSTRUCTIES

### ⚠ WAARSCHUWING:

Bij het gebruik van elektrisch gereedschap moeten altijd elementaire veiligheidsmaatregelen worden gevolgd, om het risico op brand, elektrische schokken en persoonlijk letsel te beperken, waaronder de volgende:

1. Lees deze handleiding en de handleiding van de oplader vóór gebruik zorgvuldig door.
2. Alleen reinigen met een droge doek.
3. Niet installeren in de buurt van warmtebronnen, zoals radiatoren, kachels of andere apparaten (inclusief versterkers) die warmte produceren.
4. Gebruik alleen accessoires/hulpstukken die door de fabrikant zijn gespecificeerd.
5. Haal de stekker van het apparaat uit het stopcontact tijdens onweer of als het apparaat voor lange tijd niet wordt gebruikt.
6. Een luidspreker die werkt op batterijstroom met ingebouwde batterijen of een losse accu mag alleen worden opgeladen met een oplader die voldoet aan de specificaties van de batterijen of accu. Een oplader die geschikt is voor één soort batterij of accu kan tot brandgevaar leiden indien gebruikt met een ander soort batterij of accu.
7. Gebruik een luidspreker die werkt op batterijen of een accu alleen met specifiek aanbevolen batterijen of accu's. Gebruik van andere batterijen of accu's kan leiden tot brandgevaar.
8. Als de accu niet wordt gebruikt, houd deze dan uit de buurt van andere metalen voorwerpen zoals: paperclips, muntjes, sleutels, spijkers, schroeven of andere kleine metalen objecten die contactpunten van de accu kunnen verbinden. Het kortsluiten van de accupolen kan leiden tot vonken, brandwonden of brand.
9. Vermijd lichamelijk contact met gearde oppervlakken zoals leidingen, radiatoren en koelkasten. Er bestaat een verhoogd risico op elektrische schokken als uw

lichaam geard is.

10. Bij verkeerd gebruik kan vloeistof vrijkomen uit de accu; vermijd contact. Als u per ongeluk in contact komt met deze vloeistof, spoel dan met water. Als er vloeistof in contact komt met de ogen, raadpleeg dan bovendien een arts. Vloeistof die vrijkomt uit de accu kan irritatie of brandwonden veroorzaken.
11. Gebruik geen accu's of gereedschap dat beschadigd of gewijzigd is. Beschadigde of aangepaste accu's kunnen onvoorspelbaar gedrag vertonen, wat kan leiden tot brand, explosies of letsel.
12. Stel accu's of gereedschap niet bloot aan vuur of extreme temperaturen. Blootstelling aan vuur of temperaturen boven 130 °C kan een explosie veroorzaken.
13. Volg alle instructies m.b.t. het opladen op en laad de accu of het gereedschap nooit op buiten het in de handleiding aangegeven temperatuurbereik. Foutief opladen of opladen bij temperaturen buiten het toegestane temperatuurbereik kan leiden tot schade aan de accu en de kans op brand verhogen.
14. De stekker wordt gebruikt om het apparaat los te koppelen van het lichtnet en moet altijd eenvoudig bereikbaar blijven.
15. Gebruik het product niet gedurende een lange periode op een hoog volume. Gebruik het product op een gematigd volumenniveau.
16. (Alleen voor producten met LCD-display) LCD-displays bevatten vloeistof die irritatie en vergiftiging kan veroorzaken. Als de vloeistof in of op de ogen, mond of huid komt, spoel dan met water en raadpleeg een arts.
17. Stel het product niet bloot aan regen of vochtige omstandigheden. Als er water in het product komt, verhoogt dit de kans op elektrische schokken.
18. Dit product is niet bedoeld voor gebruik door personen (inclusief kinderen) met verminderde lichamelijke, zintuiglijke of mentale vermogens of personen die geen ervaring en / of kennis hebben m.b.t. het apparaat, tenzij zij onder toezicht staan van een voor hun veiligheid verantwoordelijke persoon of instructies m.b.t. het gebruik van het apparaat hebben ontvangen. Houd toezicht op kinderen om ervoor te zorgen dat ze niet met het product spelen. Bewaar het product buiten het bereik van kinderen.

## BEWAAR DEZE INSTRUCTIES

### SPECIFIEKE VEILIGHEIDSVORSCHRIFTEN

#### VOOR ACCU

1. Lees, voordat u de accu gebruikt, alle instructies en waarschuwingen op de (1) acculader, de (2) accu en het (3) product dat gebruik maakt van de accu.
2. Demonteer de accu niet.
3. Als de gebruiksduur extreem veel korter is geworden, stop het gebruik dan onmiddellijk. Dit kan leiden tot een risico op oververhitting, mogelijke brandwonden en zelfs een explosie.
4. Als er elektrolyt in uw ogen komt, spoel ze dan met schoon water en raadpleeg onmiddellijk een arts. Het kan leiden tot het verlies van uw gezichtsvermogen.



5. Sluit de accu niet kort:
  - (1) Raak de contactpunten niet aan met geleidende materialen.
  - (2) Bewaar de accu niet in een doos met andere metalen voorwerpen, zoals spijkers, muntjes, etc.
  - (3) Stel de accu niet bloot aan water of regen. Kortsluiting van de accu kan leiden tot een grote stroomafgifte, oververhitting, mogelijke brandwonden en zelfs een defect.
6. Bewaar het gereedschap en de accu niet op plaatsen waar de temperatuur kan oplopen tot of hoger kan zijn dan 50 °C (122°F).
7. Verbrand de accu niet, zelfs als de accu ernstig beschadigd of volledig versleten is. De accu kan exploderen in vuur.
8. Wees voorzichtig en laat de accu niet vallen of stoot niet te hard tegen de accu.
9. Maak geen gebruik van beschadigde accu's.
10. Om risico's te voorkomen, moet de handleiding omtrent het vervangen van de accu worden gelezen vóór gebruik. En de maximale stroomontlading van de accu moet groter dan of gelijk aan 8A zijn.
11. De meegeleverde lithium-ion-accu's zijn onderhevig aan de vereisten in de wetgeving omtrent gevaarlijke stoffen. Voor commercieel transport, bijv. door derden en transporteurs moeten speciale vereisten ten aanzien van verpakking en etikettering worden nageleefd.  
 Voor het voorbereiden van het te verzenden artikel is het noodzakelijk een expert op het gebied van gevaarlijke stoffen te raadplegen. U moet zich daarnaast aan eventueel strengere nationale regelgeving houden.  
 Blootliggende contactpunten moeten worden afgedekt met tape en de accu moet zodanig worden verpakt dat deze niet kan bewegen in de verpakking.
12. Volg de plaatselijke regelgeving met betrekking tot de verwijdering van accu's.
13. Gebruik de accu alleen in combinatie met de door Makita gespecificeerde producten. Als de accu wordt geïnstalleerd in een niet-conform product, kan dit leiden tot brand, extreme warmte, een explosie of het lekken van elektrolyt.

**⚠ LET OP:**

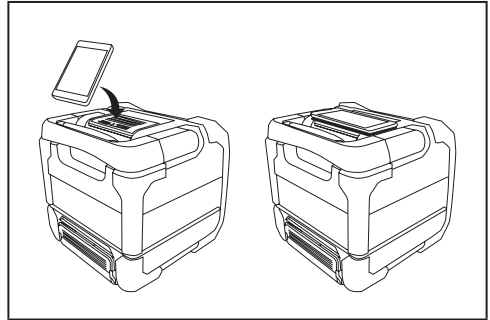
- Ontploffingsgevaar als de accu onjuist wordt vervangen.
- Alleen vervangen door accu van hetzelfde of soortgelijk type.
- Gebruik alleen originele accu's van Makita. Het gebruik van niet-originele accu's of accu's die zijn aangepast kan ertoe leiden dat de accu barst en brand, lichamelijk letsel of schade veroorzaakt. Het zal er bovendien toe leiden dat de garantie van Makita op het gereedschap en op oplader vervalt.

Tips voor het behoud van een maximale levensduur van de accu

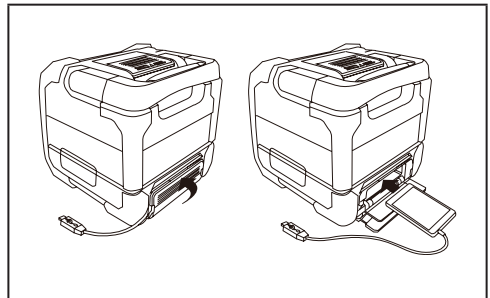
1. Laad de accu op voordat deze volledig is ontladen. Stop altijd het gebruik van het gereedschap en laad de accu op als u merkt dat er minder vermogen is.
2. Laad nooit een volledig opgeladen accu op. Overladen verkort de levensduur van de accu.
3. Laad de accu op bij een kamertemperatuur van 10 °C - 40 °C (50 °F - 104 °F). Laat een warme accu afkoelen alvorens hem op te laden.
4. Laad de accu op als u deze niet gebruikt voor een lange periode (meer dan zes maanden).

## De luidspreker (Fig.1)

1. Vergrendeling batterijvak
2. Paneel voor mobiele telefoon



3. Knop Volume verhogen
4. Knop Volume verlagen
5. Knop Afspeelmodus
6. Knop Volgende map
7. Knop Volgende track/vooruitspoelen
8. LCD-display
9. Knop Afspelen/pauzeren
10. Knop Vorige track/terugspoelen
11. Knop Vorige map/Bluetooth koppelen
12. Knop Bron
13. Knop Power
14. Luidspreker
15. Handgreep
16. Stroomingang
17. Aux-ingang
18. USB-oplaadpoort
19. Deksel opslagkast mobiele telefoon
20. Kabelgat
21. Opslagkast mobiele telefoon (smartphone)



22. 14.4 V/18V accuklem
23. 10.8 V-12Vmax accuklem
24. USB-afspeelpoort
25. Accudeksel
26. Accu-cartridge
27. Knop

De luidspreker kan van stroom worden voorzien door Makita-accu's of een standaard stopcontact.

### De luidspreker van stroom voorzien met accustroom

Vervang de accu als de melding "LOW BATTERY" wordt getoond op het display.

De volgende tabel geeft een indicatie van de gebruiksduur op een enkele lading.

Accucapaciteit	Spanning accu-cartridge			BIJ LUIDSPREKERVERMOGEN = 100mW			
	10.8V-12Vmax	14.4V	18V	Eenheid: Uur (bij benadering)			
				USB afspelen	Bluetooth	AUX IN	USB afspelen + USB opladen (2,1A)
1.3Ah		BL1415		3.5	5.5	5.5	1.0
			BL1815	4.0	6.0	6.0	1.2
1.5Ah	BL1015 BL1016			5.5	7.5	9.0	0.9
		BL1415N		5.0	7.0	7.0	1.3
			BL1815N	5.5	7.5	7.5	1.4
2.0Ah	BL1020B BL1021B			7.5	10	11	1.1
			BL1820(B)	7.0	10	10	1.9
3.0Ah		BL1430(B)		8.0	12	12	2.2
			BL1830(B)	10	14	14	2.7
4.0Ah	BL1040B BL1041B			14	20	23	2.2
		BL1440		13	19	19	3.5
			BL1840(B)	14	20	20	3.5
5.0Ah		BL1450		16	23	23	4.0
			BL1850(B)	18	26	26	4.5
6.0Ah		BL1460B		17	25	25	4.5
			BL1860B	22	32	32	5.5

**⚠ WAARSCHUWING:** Gebruik alleen de hierboven vermelde accu-cartridges. Gebruik van andere accu-cartridges kan leiden tot letsel en/of brand.

**Opmerking:** De tabel betreffende gebruiksduur hierboven dient ter referentie. De werkelijke gebruiksduur kan variëren, afhankelijk van het soort accu, de oplaadomstandigheden en de gebruiksomgeving.

### Installeren of verwijderen van de accu (fig. 3 en 4)

- Installeer de accu door de tong op de accu uit te lijnen met de groef in de behuizing en de accu vervolgens op zijn plaats te schuiven. Schuif de accu altijd volledig naar binnen tot deze vastklikt met een klein klinkgeluid.
- Als u de rode indicator op de bovenkant van de knop kunt zien, is de accu niet volledig vastgeklikt. Installeer de accu volledig tot de rode indicator niet meer zichtbaar is. Als u dit niet doet, kan het gereedschap eventueel uitvallen en letsel veroorzaken.

- Gebruik geen kracht bij het installeren van de accu. Als de accu niet eenvoudig naar binnen geschoven kan worden, dan wordt de accu niet correct geïnstalleerd.
- Verwijder de accu door deze uit het gereedschap te schuiven terwijl u de knop op de voorkant van de accu indrukt.

#### **BELANGRIJK:**

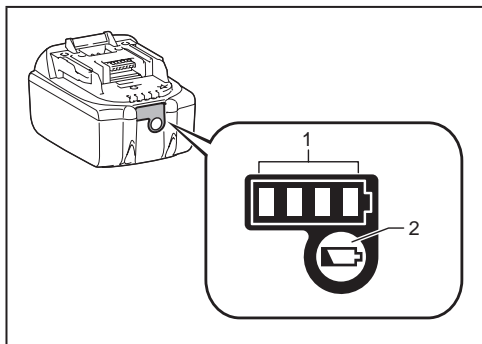
- Wees voorzichtig dat uw vingers niet klem komen te zitten bij het sluiten van het accudeksel.

#### **Opmerking:**

Als de accu van de luidspreker bijna leeg is, zal de melding 'LOW BATTERY' op het LCD-display verschijnen en knipperen.

## Indicatie van de resterende accucapaciteit

Alleen voor accu's met een "B" aan het einde van het modelnummer



► 1. Indicatorlampjes 2. Controleknop  
Druk op de controleknop op de accu om de resterende accucapaciteit weer te geven. De indicatorlampjes lichten voor een paar seconden op.

### • 14.4V/18V-accu's

Indicatorlampjes			Resterende capaciteit
Opgelicht	Uit	Knippert	
■	■	■	75% ~ 100%
■	■	□	50% ~ 75%
■	□	□	25% ~ 50%
■	□	□	0% ~ 25%
◐	□	□	Laad de accu op
■	■	□	Er heeft mogelijk een storing opgetreden in de accu
□	□	■	

### • 10.8V-12V max accu's

Indicatorlampjes			Resterende capaciteit
Opgelicht	Uit	Knippert	
■	■	■	75% ~ 100%
■	■	□	50% ~ 75%

■ ■ □ □	25% ~ 50%
■ □ □ □	0% ~ 25%

**OPMERKING:** Afhankelijk van de gebruiksomstandigheden en de omgevingstemperatuur kan de indicatie enigszins afwijken van de werkelijke capaciteit.

## De meegeleverde netadapter gebruiken (Fig. 5)

Verwijder de rubberen bescherming en steek de stekker van de adapter in de DC-aansluiting op de rechterkant van de luidspreker. Steek de adapter in een normaal stopcontact. Als de adapter wordt gebruikt, wordt gebruik van accustroom automatisch uitgeschakeld. De netadapter moet uit het stopcontact worden gehaald als het apparaat niet wordt gebruikt.

### BELANGRIJK:

- De lichtnetadapter wordt gebruikt om de radio te verbinden met het lichtnet. Tijdens normaal gebruik dient de lichtnetadapter van de radio in het stopcontact te blijven zitten. Om de radio volledig uit te schakelen, dient de stekker uit het stopcontact gehaald te worden.
- Gebruik uitsluitend de netadapter die met het product is meegeleverd of een netadapter die voldoet aan de specificaties van Makita.
- Houd het netsnoer en de stekker niet vast met uw mond. Als u dit toch doet, kan dit leiden tot een elektrische schok.
- Raak de stekker niet aan met natte of vette handen.
- Als het netsnoer is beschadigd, laat het dan vervangen door ons erkende servicecentrum om veiligheidsgevaar te vermijden. Gebruik het netsnoer niet alvorens het te laten repareren.
- Bewaar de netadapter na gebruik altijd buiten het bereik van kinderen. Als kinderen spelen met het netsnoer, kan dit leiden tot letsel.

## USB-poort voor opladen

Deze USB-poort kan worden gebruikt om een mobiele telefoon of ander apparaat dat minder dan 2,1A gelijkstroom gebruikt op te laden. Er kan alleen worden opgeladen als de luidspreker is ingeschakeld.

**Opmerking:** Bekijk de specificaties van uw extern apparaat, zoals mobiele telefoon, mp3-speler of iPod, en controleer of het apparaat compatibel is met de luidspreker. Lees de handleiding van uw extern apparaat door voordat u het oplaadt met behulp van de luidspreker.

### BELANGRIJK:

- Maak, voordat u het USB-apparaat aansluit op de USB-poort, altijd een backup van de data op het USB-apparaat. Anders bestaat er de mogelijkheid dat de data verloren gaat.
- Het is mogelijk dat de USB-poort niet aan alle USB-apparaat stroom kan leveren.
- Als u de USB-poort niet gebruikt, verwijder de USB-kabel dan en sluit het deksel.


- Sluit geen stroombron aan op de USB-poort. Als u dit toch doet, is er brandgevaar. De USB-poort is alleen bedoeld voor het opladen van apparaten met een lagere spanning. Plaats het deksel altijd op de USB-poort als u geen apparaat met een lagere spanning oplaadt.
- Steek geen spijker, draad, etc. in de USB-poort. Als u dit toch doet, kan er kortsluiting ontstaan en dit kan leiden tot rook en brand.
- Sluit deze USB-poort niet aan op een USB-poort van uw PC, omdat het zeer waarschijnlijk is dat dit zal leiden tot een defect aan een van beide of beide apparaten.

## Koppelen en verbinding maken van een apparaat met de luidspreker

U moet uw Bluetooth-apparaat koppelen met de luidspreker voordat u automatisch verbinding kunt maken en Bluetooth-muziek kunt afspelen/streamen via de luidspreker. Koppelen creëert een 'band', zodat twee apparaten elkaar kunnen herkennen.

Voor een betere geluidskwaliteit raden we aan het volume op uw Bluetooth-apparaat op minimaal tweederde van het maximale niveau in te stellen en daarna de volumeregeling van de luidspreker te gebruiken om het volume naar wens in te stellen.

## Koppelen en afspelen vanaf uw Bluetooth® apparaat voor de eerste keer

1. Druk op Power  om de luidspreker in te schakelen, de melding 'BT PAIR' verschijnt op het display om aan te geven dat de luidspreker detecteerbaar is.
2. Activeer de Bluetooth® op uw apparaat, zie hiervoor de handleiding van uw apparaat. Zoek naar beschikbare apparaten voor koppeling. Uw Luidspreker zal zich melden als "DMR202." op uw apparaat. Indien uw apparaat over een oudere versie van Bluetooth® beschikt dan versie BT2.1, is het mogelijk dat uw apparaat vraagt om een wachtwoord. Voer dan "0000" in.
3. Zodra de apparaten zijn verbonden, klinkt er een pieptoon en wordt de melding 'BT CONNECT' op het display getoond. U kunt nu simpelweg op uw bronapparaat muziek selecteren en deze muziek afspelen. U kunt het volume instellen op uw bronapparaat of rechtstreeks op de luidspreker.
4. Gebruik de bediening op uw apparaat of op de luidspreker om de door u gewenste muziek te kiezen.

### Opmerking:

1. Als er voor de eerste keer wordt gekoppeld en er 2 Bluetooth-apparaten naar uw luidspreker zoeken, dan wordt de luidspreker op beide apparaten als beschikbaar getoond. Als er echter één apparaat verbinding maakt met de luidspreker, zal het andere Bluetooth-apparaat de luidspreker niet meer vinden in de lijst.
2. Als uw Bluetooth-apparaat tijdelijk de verbinding met de luidspreker verliest, dan moet u handmatig de verbinding tussen uw apparaat en de luidspreker herstellen.
3. Als 'DMR202' wordt getoond in uw Bluetooth-

apparaatlijst, maar uw Bluetooth-apparaat geen verbinding kan maken met de luidspreker, verwijder het item dan uit uw lijst en koppel nogmaals met de luidspreker door de hierboven beschreven stappen te volgen.

4. Het effectieve bereik van de Bluetooth® verbinding tussen de luidspreker en het gekoppelde apparaat is ongeveer 10 meter (30 feet). Dit kan verminderd worden door tussenliggende obstakels, zoals muren.
5. Bluetooth® verbindingen prestaties kunnen variëren afhankelijk van de verbonden apparaten. Raadpleeg de Bluetooth® mogelijkheden van uw apparaat voordat u deze aansluit op uw luidspreker. Voor sommige verbonden Bluetooth® apparaten kan het zijn dat niet alle functies ondersteund worden.

## Het afspelen van geluidsbestanden in de Bluetooth® modus

Indien de verbinding tussen de luidspreker en uw Bluetooth® apparaat succesvol tot stand gebracht is, kunt u de muziek van uw apparaat afspelen door middel van de bedieningstoetsen op uw verbonden apparaat.

1. Stel het volume, zodra het afspelen is gestart, naar wens in met behulp van de volumeknoppen  op uw luidspreker of op uw Bluetooth-apparaat.
2. Als u op Volume verhogen/verlagen drukt, zal de volume-indicator snel rood knipperen. Als de indicator blijvend rood oplicht, geeft dit aan dat het volume maximaal of minimaal is ingesteld.
3. Gebruik de bedieningselementen op uw apparaat om het afspelen te starten/pauzeren en om de gewenste track te selecteren. Als alternatief kunt u het afspelen bedienen met de knoppen Afspelen/Pauzeren , Volgende track , Vorige track  op de luidspreker.
4. Houd Volgende track  of Vorige track  ingedrukt om vooruit of terug te spoelen binnen de huidige track. Laat de knop los wanneer het gewenste punt binnen de track is bereikt.

### Opmerking:

1. Het is mogelijk dat niet alle afspeelapplicaties of apparaten reageren op alle bedieningselementen.
2. Sommige mobiele telefoons kunnen de verbinding met de luidspreker verbreken wanneer er oproepen worden gemaakt of ontvangen. Sommige apparaten kunnen het geluid van de Bluetooth-audiostream tijdelijk uitschakelen wanneer er sms'jes of emails worden ontvangen of omwille van andere redenen die niets met het streamen van audio te maken hebben. Dergelijk gedrag is een functie van het Bluetooth-apparaat en duidt niet op een fout met uw luidspreker.
3. Het display toont geen informatie zoals de titel, artiest, album, etc. tijdens het afspelen in de Bluetooth-modus.
4. De afspeelmodusfuncties (Herhalen/Random) kunnen niet worden gebruikt in de Bluetooth-modus.

## Luidspreker geheugen en opnieuw aansluiten van een apparaat

Uw luidspreker kan tot acht verschillende gekoppelde apparaten onthouden. Wanneer daarna een nieuw

apparaat gekoppeld zal worden zal de oudst bekende koppeling overschreven worden.

Als uw Bluetooth® apparaat al eerder gekoppeld was met de luidspreker, dan zal de luidspreker dit herkennen, en gewoon verbinden met dit apparaat. Als deze verbinding niet zal slagen, zal de luidspreker in detectie modus schakelen.

## Loskoppelen van uw Bluetooth® apparaat

Druk de Bluetooth®  2 tot 3 seconden in om de verbinding met uw Bluetooth® apparaat te verbreken. De Bluetooth® indicator zal blauw knipperen, waarmee aangegeven wordt dat de luidspreker in detectie modus geschakeld is, en beschikbaar voor koppelen.

## Muziek afspelen via de aux-ingang

Er zit een 3,5mm aux-ingang op de rechterkant van het apparaat waarmee het audiosignaal van een apparaat met hoofdtelefoon- of audio-uitgang, zoals een iPod, mp3- of cd-speler, kan worden verstuurd naar de luidspreker.

1. Sluit een stereo- of mono-audiobron (bijvoorbeeld een iPod, mp3- of cd-speler) aan op de aux-ingang (gemarkeerd met 'AUX'), de aux-indicator wordt groen om aan te geven dat de luidspreker in de aux-modus staat.
2. Stel het volume goed in op uw iPod, MP3-speler of CD-speler, zodat er een adequaat signaal van de speler komt, en gebruik vervolgens de volumeregeling van de luidspreker om het volume op een comfortabel niveau in te stellen.
3. Voor een betere geluidskwaliteit raden we aan het volume op uw audioapparaat op minimaal twee-derde van het maximale niveau in te stellen en daarna de volumeregeling van de luidspreker te gebruiken om het volume naar wens in te stellen.

### Opmerking:

1. Als de Aux-ingang wordt aangesloten op een audioapparaat, schakelt de luidspreker over van de Bluetooth-modus naar de aux-modus. U kunt indien gewenst ook zelf de gewenste modus selecteren door op de knop Bron te drukken.
2. Het display toont geen informatie zoals de titel, artiest, album, etc. tijdens het afspelen via de aux-ingang.
3. Het afspelen en de afspeelmodus kan tijdens het afspelen via de aux-ingang niet worden bediend met de knoppen op de luidspreker.

## USB-geheugenapparaten gebruiken

### Belangrijk:

1. Uw luidspreker is uitsluitend ontworpen voor gebruik met USB-apparaten met flashgeheugen. Het is niet de bedoeling om harde schijven of andere soorten USB-apparaten aan te sluiten op de luidspreker.
2. Het is mogelijk om een SD- of SDHC-kaart te gebruiken voor het afspelen van media indien deze in een geschikte USB-adaptor wordt geplaatst. Door de grote variatie in dit soort adaptors is het echter niet


mogelijk om te garanderen dat alle combinaties kaart/adaptor werken met de luidspreker.

3. De luidspreker is getest met een reeks USB-geheugenapparaten met een capaciteit tot 32GB. De luidspreker ondersteunt USB 2.0 full speed en USB 3.0. (**Opmerking:** als u gebruik maakt van USB 3.0 kan de luidspreker wat meer tijd nodig hebben om het apparaat te detecteren.)
4. USB-geheugen dat wordt gebruikt in combinatie met deze luidspreker moet gebruik maken van het FAT-FAT32-bestandssysteem, de luidspreker ondersteunt geen NTFS.
5. De audioformaten die worden ondersteund voor het afspelen zijn MP3, WMA en AAC. Er is geen ondersteuning voor het afspelen van bestanden die zijn gecodeerd met behulp van WMA lossless, WMA Voice, WMA 10 professional, noch aan bestanden van andere formaten die zijn voorzien van DRM-beveiliging.

### ⚠ Waarschuwingen:

1. Om het risico op beschadiging van uw luidspreker en USB-geheugenapparaat te beperken, moet de luidspreker zodanig worden geplaatst dat er niet eenvoudig tegen het geheugenapparaat kan worden gestoten terwijl het in de poort is gestoken.
2. Verwijder het USB-apparaat voordat u de luidspreker verplaatst of als u een gedurende langere periode geen gebruik maakt van de USB-functie.
3. Schakel de luidspreker uit voordat u uw USB-geheugenapparaat uit de poort haalt.
4. De USB-poort is alleen bedoeld voor apparaten met flashgeheugen. Het gebruik van harde schijven wordt niet ondersteund.
5. Er kan niet worden gegarandeerd dat USB-bestanden die zijn opgeslagen op MP3-spelers afgespeeld kunnen worden.
6. Het duurt langer om grote bestanden of USB-apparaten met een grote opslagcapaciteit te lezen.

## Bestanden afspelen van USB-geheugenapparaten

1. Open het accudeksel en plaats het USB-geheugenapparaat in de USB-poort die in het accu zit. Sluit het accudeksel
2. Druk op Power  om de luidspreker in te schakelen, de melding 'Reading' verschijnt en knippert op het LCD-display. Daarna schakelt de luidspreker over naar de USB-modus en start het afspelen van het USB-geheugenapparaat. Het display toont de map- en bestandnummers, bijv. 'F001 T0001'. De luidspreker toont ook scrollende tekstberichten (zoals de titel, artiest, album, etc.) als deze informatie beschikbaar is.

### Opmerking:

- a) De tekstcodering ondersteunt alleen UNICODE. Als de USB-bestanden een tekstcodering anders dan UNICODE bevatten, worden de scrollende berichten verdraaid of verminkt weergegeven.
  - b) Zodra het USB-geheugenapparaat in de USB-poort is gestoken, schakelt de luidspreker automatisch over naar de USB-modus. U kunt indien gewenst ook zelf de gewenste modus selecteren door op de knop Bron te drukken.
3. Druk om het afspelen te pauzeren op de knop Afspelen/

pauzeren ►||. Het afspelen kan daarna worden hervat door nogmaals op Afspelen/pauzeren ►|| te drukken.

#### Opmerking:

- Als u de luidspreker uitschakelt, zal deze de volgende keer bij het inschakelen het afspelen hervatten bij de laatste afgespeelde track.
- Als u tijdens het afspelen van een USB-geheugenapparaat naar een andere modus schakelt, wordt het afspelen gepauzeerd. Als u terugschakelt naar de USB-modus, zal het afspelen hervatten vanaf het punt waar het eerder werd gepauzeerd.
- Het wordt aanbevolen om alleen muziekbestanden (MP3/WMA/AAC) op te slaan op uw USB-geheugenapparaat. Als een map één of meerdere niet-muziekbestanden bevat, zal uw luidspreker deze bestanden/map overslaan en zal het bestand-/mapnummer niet serieel zijn.

### Een bestand selecteren

- Druk tijdens het afspelen vanaf USB-geheugenapparaat op de knop Volgende track ►|| of Vorige track ◀◀ om het gewenste bestand te selecteren. Het bestandnummer wordt bijgewerkt op het display. Als er meer dan één map is, gaat de luidspreker naar de volgende map als alle bestanden uit de huidige map zijn afgespeeld.
- Houd de knop Volgende track ►|| of Vorige track ◀◀ ingedrukt om vooruit/terug te spoelen binnen de huidige track. Laat de knop los als het gewenste punt binnen de track is bereikt.

### Een andere map selecteren

Druk als het afspelen vanaf USB-geheugenapparaat is gestart of gepauzeerd op de knop Volgende map ►, of Vorige map ◀. Het eerste bestand van de volgende of vorige map wordt afgespeeld.

#### Opmerking:

Als uw USB-geheugenapparaat een map zonder bestanden bevat, wordt deze map overgeslagen en worden de bestanden in de volgende map afgespeeld.

### Afspelmodus

Druk tijdens het afspelen van bestanden op het USB-geheugenapparaat op de knop Herhalen/Random om de afspelmodus te selecteren.

**Repeat 1:** speel het huidige bestand herhaaldelijk af.

**Repeat Folder:** speel de bestanden in de huidige map herhaaldelijk af.

**Random:** speel de bestanden op het USB-apparaat in willekeurige volgorde af.

**Repeat All:** speel de mappen op het USB-apparaat herhaaldelijk af.

### ONDERHOUD

#### ⚠ LET OP:

- Gebruik nooit benzine, benzeen, thinner, alcohol of dergelijke producten. Dit kan leiden tot verkleuring, vervorming of barsten.

### Specificaties

<b>Versterker</b>	
Vermogen	10.8V-12Vmax:3W 14.4V:6W 18V:10W
Frequentierespons	50Hz~20kHz
<b>Aux-ingang</b>	
Ingangsgewoeligheid	250mVrms @100Hz
<b>Luidspreker</b>	
Hoofdluidspreker	101.6mm 8ohm 10W
Tweeter	36mm 8ohm 10W

<b>Bluetooth (Het Bluetooth®-woordmerk en-logo's zijn gedeponeerde handelsmerken in eigendom van Bluetooth SIG, Inc.)</b>	
Bluetooth-versie	4.0
Bluetooth-profiel	A2DP SCMS-T AVRCP
Zendvermogen	Vermogensklasse 2
Zendbereik	Max. 10m (varieert afhankelijk van gebruiksomstandigheden)
Ondersteunde codec	SBC
Compatibel Bluetooth- profiel	A2DP
Maximaal radiofrequentievermogen	BT EDR: 3.88dBm BT LE: -1.4dBm
Bedrijfsfrequentie	2402MHz~2480MHz

<b>USB-afspeelpoort</b>	
USB-standaard	USB3.0 / USB2.0
Compatibel bestandssysteem	FAT 32/16/12
Af speelbaar audioformaat	MP3 / WMA / AAC
Max. stroom	500 mA (Max)

<b>Algemeen</b>	
Netadapter	DC in 12V 1.5A, middelste pin positief
Accu	Schuifaccu: 10.8 V-12Vmax 14.4 V 18 V
Afmetingen(B x H x D)	211 mm x 206 mm x 199 mm
Gewicht	2,7KG (zonder accu)

Het bedrijf behoudt zich het recht voor om de specificaties te wijzigen zonder voorafgaande kennisgeving.

## Símbolos

Lo siguiente muestra los símbolos usados por el equipo. Asegúrese de que entienda su significado, antes de usar el equipo.



Lea el manual de instrucciones.



Solo para países de la UE

No se deshaga del equipo eléctrico o del paquete de baterías junto con la basura doméstica.

De acuerdo con las directivas europeas sobre Residuos de Aparatos y Baterías y Acumuladores Eléctricos y Electrónicos y sobre Residuos de Baterías y Acumuladores y su aplicación conforme las legislaciones nacionales, las baterías y los paquetes de baterías que lleguen al final de su vida útil deben ser recolectados por separado y devueltos a una instalación de reciclaje compatible con el medio ambiente.

## INSTRUCCIONES IMPORTANTES DE SEGURIDAD

### ⚠ ADVERTENCIA:

Cuando utilice herramientas eléctricas, para reducir el riesgo de incendio, descarga eléctrica y lesiones personales, siga siempre las precauciones básicas de seguridad, incluyendo lo siguiente:

1. Lea el manual de instrucciones y el manual de instrucciones del cargador detenidamente antes de usarlos.
2. Limpie el equipo solo con un paño seco.
3. No instale cerca de fuentes de calor, como radiadores, estufas, fuegos de cocina u otros aparatos (incluyendo amplificadores) que produzcan calor.
4. Utilice únicamente accesorios especificados por el fabricante.
5. Desenchufe este aparato durante las tormentas o cuando no vaya a usarlo por un periodo prolongado.
6. Un altavoz que funcione por medio de baterías bien integradas o bien independientes, solo debe cargarse con el cargador específico para la batería. Un cargador adecuado para un tipo de batería, puede crear riesgo de incendio cuando se usa con otra batería.
7. Use un altavoz que funcione por medio de baterías solo con baterías específicamente diseñadas. El uso de otras baterías podría crear riesgo de incendio.
8. Cuando la batería no esté en uso, manténgala alejada de otros objetos metálicos como: clips, monedas, llaves, clavos, tornillos u otros objetos metálicos pequeños que pudieran crear conexiones de un terminal a otro. El contacto entre sí de los terminales de las baterías puede provocar chispas, quemaduras o fuego.
9. Evite contacto corporal con superficies conectadas a tierra como tuberías, radiadores, estufas y refrigeradores. Hay un incremento del riesgo de descarga eléctrica si su cuerpo está conectado a tierra.

10. En condiciones abusivas, puede que de la batería se expulse líquido, evite el contacto. Si de forma accidental entra en contacto con el líquido, enjuague con agua. Si el líquido entrase en contacto con los ojos, busque ayuda médica. El líquido expulsado de la batería puede causar irritación o quemaduras.
11. No use una batería o una herramienta dañada o modificada. Las baterías dañadas o modificadas puede presentar un comportamiento impredecible causando incendios, explosiones y riesgos de lesiones.
12. No exponga la batería o herramienta al fuego o a temperaturas excesivas. La exposición al fuego o a temperaturas mayores que 130 °C podrían causar una explosión.
13. Siga todas las instrucciones de carga y no cargue la batería o la herramienta fuera del rango de temperatura especificado en las instrucciones. Cargar incorrectamente o a temperaturas fuera del rango especificado podrían dañar la batería e incrementar el riesgo de fuego.
14. El enchufe principal de la red eléctrica se utiliza como dispositivo de desconexión, y debe estar siempre disponible.
15. No use este producto a volumen alto durante un periodo prolongado. Para evitar daños auditivos, use este producto a un nivel de volumen moderado.
16. (Solo para productos con pantalla LCD) Las pantallas LCD incluyen líquidos que pueden causar irritación y envenenamiento. Si el líquido entrase en contacto con los ojos, boca o piel, enjuague con agua y llame a un médico.
17. No exponga el producto a condiciones de lluvia o humedad. El agua que entre al producto incrementará el riesgo de descarga eléctrica.
18. Este aparato no es apto para su uso por personas (niños incluidos) con las capacidades físicas, sensoriales o mentales disminuidas, o por personas que carezcan de experiencia y conocimiento, a no ser que alguien que sea responsable de su seguridad, les esté supervisando o les explique cómo deben usar el aparato. Los niños deben ser supervisados para asegurarse de que no jueguen con el producto. Guarde el producto lejos del alcance de los niños.

## GUARDE ESTAS INSTRUCCIONES

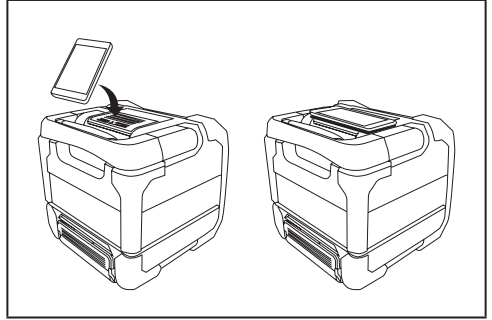
### REGLAS ESPECÍFICAS DE SEGURIDAD

#### PARA EL CARTUCHO DE BATERÍA

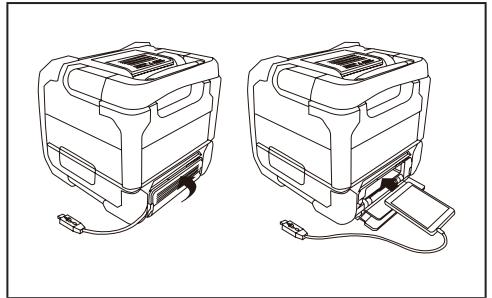
1. Antes de utilizar el cartucho de batería, lea todas las instrucciones y advertencias en (1) el cargador de la batería, (2) la baterías, (3) el producto que usa la batería.
2. No desmonte el cartucho de batería.
3. Si el tiempo de funcionamiento se ha vuelto excesivamente corto, pare inmediatamente. Puede haber riesgo de sobrecalentamiento, posibles quemaduras o incluso una explosión.
4. Si el electrolito entra en contacto con los ojos, lávelos con agua limpia y busque atención médica de inmediato. Podría dar como resultado la pérdida de visión.
5. No haga un cortocircuito con el cartucho de batería.
  - (1) No toque los terminales con un material conductor.

## Explicación de la vista general (Fig. 1)

1. Compartimento de la batería
2. Panel para colocar el teléfono móvil (celular)



3. Botón de subir volumen
4. Botón de bajar volumen
5. Botón de modo de reproducción
6. Botón de carpeta siguiente
7. Botón de pista siguiente/avance rápido
8. Pantalla LCD
9. Botón de reproducir/pausar
10. Botón de pista anterior/rebobinar
11. Botón de carpeta anterior/vinculación Bluetooth
12. Botón de fuente
13. Botón de encendido
14. Altavoz
15. Asa
16. Toma de entrada de CC
17. Toma de Entrada auxiliar
18. Toma de carga USB
19. Cubierta del compartimiento para guardar el teléfono móvil
20. Agujero para el cable
21. Compartimiento para guardar el teléfono móvil



22. Terminal de la batería 14,4 V/18 V
23. Terminal de la batería 10,8 V-12 V máx.
24. Toma de reproducción USB
25. Cubierta de la batería
26. Batería
27. Botón

- (2) Evite almacenar el cartucho de batería en recipientes con otros objetos metálicos como clavos, monedas, etc.
  - (3) No exponga la batería al agua o lluvia. Un cortocircuito en la batería puede producir un gran flujo, sobrecalentamiento, posibles quemaduras e incluso una avería.
6. No guarde la herramienta ni el cartucho de batería en lugares donde la temperatura pueda llegar a o superar los 50 °C (122 °F).
  7. No incinere el cartucho de batería incluso si está muy dañado o completamente desgastado. El cartucho de batería podría explotar en el fuego.
  8. Tenga cuidado de no dejar caer o golpear la batería.
  9. No use una batería dañada.
  10. Para evitar riesgos, lea antes de su uso el manual de la batería reemplazable. Y la corriente máxima de descarga de la batería debe ser igual o mayor a 8 A..
  11. Las baterías de iones de litio están sujetas a los requisitos de la Legislación de mercancías peligrosas. Para su transporte comercial, como por ejemplo por terceros o transportistas, deben respetarse los requisitos especiales del embalaje y etiquetado. Para la preparación del artículo para su envío, se requiere consultar a un experto en materiales peligrosos. Acate también las, posiblemente más detalladas, regulaciones nacionales. Cubra los contactos abiertos y empaquete la batería de tal manera que no se pueda mover en el embalaje.
  12. Siga las regulaciones locales en lo relacionado a la eliminación de baterías.
  13. Use las baterías solo con los productos especificados por Makita. La instalación de las baterías con productos no conformes podría resultar en un incendio, calor excesivo, explosión o fuga de electrolitos.

### ⚠ PRECAUCIÓN:

- Peligro de explosión si la batería se coloca incorrectamente.
- Reemplace solo con una del mismo tipo o uno equivalente.
- Use solo baterías originales Makita. El uso de baterías Makita no originales o de baterías que hayan sido alteradas podría provocar la explosión de la batería causando incendios, lesiones personales y daños. También anulará la garantía de Makita para la herramienta de Makita y el cargador.

### Consejos para mantener al máximo la vida útil de la batería

1. Cargue el cartucho de batería antes de que se descargue completamente. Deje de usar la herramienta y cargue la batería cuando note que la batería tiene menos potencia.
2. Nunca cargue un cartucho de batería que esté totalmente cargado. La sobrecarga reduce la vida útil de la batería.
3. Cargue el cartucho de batería con una temperatura ambiente de entre 10 y 40 grados centígrados (50 °F-104 °F). Antes de cargarla, deje que una batería que esté caliente se enfríe.
4. Cargue el cartucho de batería si no lo usa durante un largo periodo de tiempo (más de seis meses).



## Alimentación

El altavoz puede funcionar por medio de baterías Makita o por medio de una toma de corriente estándar.

### Alimentación por batería

Cuando en pantalla se muestre "LOW BATTERY" (BATERÍA BAJA), reemplace la batería.

La siguiente tabla indica el tiempo de uso con una sola carga.

Capacidad de la batería	Voltaje de la batería			CON LA SALIDA DEL ALTAVOZ = 100 mW Unidad: hora (aproximadamente)			
	10,8 V-12 V máx.	14,4 V	18 V	Reproducción USB	Bluetooth	Entrada auxiliar	Reproducción USB y carga USB (2,1 A)
1.3Ah		BL1415		3.5	5.5	5.5	1.0
			BL1815	4.0	6.0	6.0	1.2
1.5Ah	BL1015 BL1016			5.5	7.5	9.0	0.9
		BL1415N		5.0	7.0	7.0	1.3
			BL1815N	5.5	7.5	7.5	1.4
2.0Ah	BL1020B BL1021B			7.5	10	11	1.1
			BL1820(B)	7.0	10	10	1.9
3.0Ah		BL1430(B)		8.0	12	12	2.2
			BL1830(B)	10	14	14	2.7
4.0Ah	BL1040B BL1041B			14	20	23	2.2
		BL1440		13	19	19	3.5
			BL1840(B)	14	20	20	3.5
5.0Ah		BL1450		16	23	23	4.0
			BL1850(B)	18	26	26	4.5
6.0Ah		BL1460B		17	25	25	4.5
			BL1860B	22	32	32	5.5

**⚠ ADVERTENCIA:** Solo use las baterías indicadas anteriormente. El uso de cualquier otra batería podría causar lesiones o fuego.

**Nota:** La tabla sobre el tiempo de funcionamiento de la batería es para referencia. El tiempo de funcionamiento real puede diferir según el tipo de batería, condiciones de carga o entorno de uso.

### Instalación o retirada del cartucho de batería (fig. 3 y 4)

- Para instalar el cartucho de batería, alinee la lengüeta en el cartucho de batería con la ranura en la carcasa y deslícela a su lugar. Siempre insértela hasta que encaje en su sitio con un pequeño clic.
- Si puede ver el indicador rojo en la parte superior del botón, no está ajustada completamente. Instálela completamente hasta que el indicador rojo no se pueda ver. De lo contrario, podría caerse accidentalmente de la herramienta, lesionándole a usted o a alguien a su alrededor.

- No use la fuerza al insertar el cartucho de batería. Si el cartucho no se desliza fácilmente es que no se está insertando correctamente.
- Para retirar el cartucho de batería, deslícelo de la herramienta mientras presiona el botón en la parte frontal del cartucho.

#### IMPORTANTE:

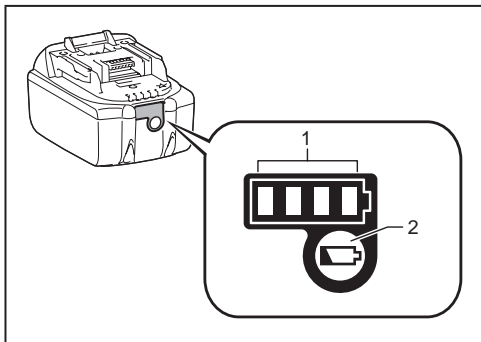
- Tenga cuidado de no pellizcarse los dedos al cerrar la cubierta de la batería.

#### Nota:

Cuando el altavoz tiene poca batería, en la pantalla LCD aparecerá "LOW BATTERY".

## Indicaciones de la batería restante

Solo para cartuchos de batería que tengan una "B" al final del número de modelo



► 1. Luces indicadoras 2. Botón de comprobación  
Presione el botón en el cartucho de batería para mostrar la batería restante. Las luces indicadoras se encenderán por unos segundos.

### Baterías 14,4 V/18 V

Luces indicadoras			Capacidad restante
Iluminado	Apagado	Parpadeando	
■	□	◻	75% ~ 100%
■	■	■	
■	■	□	
■	□	□	
■	■	□	50% ~ 75%
■	■	□	25% ~ 50%
■	□	□	0% ~ 25%
◻	□	□	Cargue la batería
■	■	□	La batería puede haber funcionado mal
□	□	■	

### Baterías 10,8 V-12 V máx.

Luces indicadoras			Capacidad restante
Iluminado	Apagado	Parpadeando	
■	□	◻	75% ~ 100%
■	■	■	
■	■	□	
■	■	□	50% ~ 75%
■	■	□	25% ~ 50%



0% ~ 25%

**NOTA:** Dependiendo de las condiciones de uso y de la temperatura ambiente, la indicación puede diferir ligeramente de la capacidad real.

## Usando el adaptador de CA suministrado (Fig. 5)

Retire el protector de goma e inserte la clavija del adaptador en la toma de CC en la parte derecha del altavoz. Enchufe el adaptador a una toma de corriente estándar. Cuando el adaptador se usa, la batería se desconecta automáticamente. Cuando no lo use, el adaptador de CA debe ser desconectado de la alimentación principal.

### IMPORTANTE:

- El adaptador de corriente se emplea como medio de desconexión de la radio de la toma de alimentación. La toma de alimentación usada con la radio deberá permanecer accesible durante su uso. Para desconectar completamente la radio de la red de suministro, el adaptador deberá ser desenchufado.
- Use solo el adaptador de alimentación de CA suministrado con el producto o especificado por Makita.
- No sujete el cable de alimentación y enchufe con la boca. Hacerlo podría causar una descarga eléctrica.
- No toque el enchufe de corriente con las manos mojadas o grasosas.
- Si el cable está dañado, haga que su centro de servicio autorizado lo reemplace para evitar riesgos para la seguridad. No lo use antes de la reparación.
- Tras el uso, guarde siempre el adaptador de alimentación de CA fuera del alcance de los niños. Si los niños jugasen con el cable, podrían sufrir lesiones.

## Toma de corriente USB

Esta toma puede usarse para cargar un teléfono móvil o cualquier otro dispositivo que use menos de 2.1 A de CC. Solo se cargará cuando el altavoz esté encendido.

**Nota:** Asegúrese de que la especificación de su dispositivo externo como un teléfono móvil, reproductor de mp3 o iPod es compatible con el altavoz. Lea el manual de instrucciones de su dispositivo externo antes de cargar.

### IMPORTANTE:

- Antes de conectar el dispositivo USB al cargador, haga siempre una copia de seguridad de los datos del dispositivo USB. De lo contrario, su información podría perderse.
- El cargador puede que no suministre energía a algunos dispositivos USB.
- Cuando no lo use, o tras cargar, retire el cable USB y cierre la cubierta.
- No conecte la fuente de alimentación al puerto USB. De lo contrario puede haber riesgo de fuego. El puerto USB es solo para cargar dispositivos de bajo voltaje. Cuando no esté cargando el dispositivo de bajo voltaje, coloque siempre la cubierta en el puerto USB.


- No inserte un clavo, cable, etc. en el puerto de alimentación USB. De lo contrario, un cortocircuito podría causar humo y fuego.
- No conecte esta toma USB al puerto USB del PC, ya que es muy probable que esto pueda causar daños en las unidades.

## Emparejamiento y conexión de un dispositivo al altavoz

Antes de poder enlazarse automáticamente para reproducir/transmitir música Bluetooth a través del altavoz, necesita vincular su dispositivo Bluetooth con el altavoz. La vinculación crea un "vínculo" para que dos dispositivos se reconozcan mutuamente.

Para tener una mejor calidad de sonido, recomendamos que ajuste el volumen en su dispositivo Bluetooth a más de dos tercios y a continuación, ajuste el volumen en el altavoz como necesite.

## Emparejamiento y reproducción de su dispositivo Bluetooth por vez primera

1. Presione el botón de encendido  para encender el altavoz, en pantalla aparecerá "VINCULACIÓN BT" indicando que el altavoz es detectable.
2. Active el Bluetooth de su dispositivo según su manual del usuario para enlazar con el altavoz. Localice la lista de dispositivos Bluetooth y seleccione el que lleve por nombre 'DMR202.' Algunos dispositivos móviles (equipados con versiones de Bluetooth anteriores a la BT2.1), puede que sea necesario introducir la contraseña "0000".
3. Una vez conectado, habrá un pitido y en pantalla se mostrará "CONECTAR BT". Seleccione y reproduzca cualquier música desde su dispositivo fuente. El control de volumen se puede ajustar desde su dispositivo fuente o directamente desde el altavoz.
4. Use los controles de su dispositivo con función de Bluetooth o los del altavoz para reproducir / dejar en pausa y navegar por las pistas.





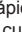
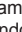
### Nota:

1. Si dos dispositivos Bluetooth, vinculándose por primera vez, buscan el altavoz, este se mostrará disponible para ambos dispositivos. Sin embargo, si un dispositivo se enlaza con esta unidad primero, entonces el otro dispositivo Bluetooth no lo encontrará en la lista.
2. Si su dispositivo Bluetooth se desconecta temporalmente de su altavoz, entonces, deberá reconectar su dispositivo al altavoz de forma manual.
3. Si "DMR202" aparece en la lista de su dispositivo Bluetooth, pero no puede conectarse a él, borre el elemento de la lista y vincule de nuevo el dispositivo con el altavoz, siguiendo los pasos descritos anteriormente.
4. El alcance efectivo de uso entre el sistema y el dispositivo emparejado es de aproximadamente 10 metros (30 pies). Cualquier obstáculo interpuesto entre el sistema y el dispositivo podrá reducir el alcance operativo.
5. La capacidad de la conectividad Bluetooth podría variar dependiendo del dispositivo Bluetooth que se haya

conectado. Por favor, consulte las especificaciones Bluetooth de su dispositivo antes de conectarlo a su radio. Puede que no todas las funciones estuvieran disponibles en algunos dispositivos Bluetooth.

## Reproducción de archivos de audio en el modo Bluetooth

Cuando haya conectado su altavoz con el dispositivo Bluetooth que haya elegido, ya podrá comenzar a reproducir su música usando los controles del dispositivo Bluetooth al que se haya conectado.

1. Una vez que la reproducción haya comenzado, ajuste el volumen al nivel deseado usando los botones de volumen  en su altavoz o en su dispositivo Bluetooth.
2. Cuando presione el botón de subir o bajar volumen, el indicador de volumen parpadeará rápidamente en rojo de forma intermitente. Si el indicador de luz muestra una luz roja continua, esto indica que el volumen está al máximo o al mínimo.
3. Use los controles en su dispositivo para reproducir, pausar y navegar por las pistas. De forma alternativa, controle la reproducción usando los botones Reproducir/pausar , Pista siguiente , Pista anterior  en el altavoz.
4. Mantenga presionado el botón de Pista siguiente  o Pista anterior  para avanzar rápidamente o rebobinar la pista actual. Suelte el botón cuando llegue al punto de la pista deseado.

### Tenga en cuenta:


1. Que puede que no todos los reproductores o dispositivos respondan a todos los controles.
2. Algunos teléfonos móviles puede que se desconecten temporalmente de su altavoz al realizar o recibir llamadas. Algunos dispositivos puede que silencien temporalmente su transmisión de audio por Bluetooth cuando reciben mensajes de texto, correos electrónicos o por otros motivos ajenos a la transmisión de audio. Ese comportamiento es una función del dispositivo conectado y no indica un fallo en su altavoz.
3. Al reproducir en modo Bluetooth, la pantalla no muestra información como título, artista, álbum, etc.
4. La función de modo reproducción (repetir/aleatorio) no puede usarse en modo Bluetooth.

## Memoria del altavoz y reconexión de un dispositivo

DMR202 puede memorizar hasta 8 dispositivos emparejados. Cuando la memoria exceda esta cantidad, el primero de los dispositivos emparejados será sobrescrito. Si su dispositivo Bluetooth hubiera sido emparejado con el altavoz anteriormente, la unidad memorizará su dispositivo Bluetooth e intentará reconectarse con el dispositivo de la memoria con el que se conectó por última vez. Si el último dispositivo con el que se conectó no estuviera disponible, el altavoz será reconocible.

## Desconexión de su dispositivo

### Bluetooth

Mantenga pulsado el botón de Bluetooth  2-3 segundos para desconectarse de su dispositivo Bluetooth. El indicador Bluetooth parpadeará en azul indicando que el altavoz es reconocible de nuevo para el emparejamiento.

## Reproducción de música por medio de la toma de entrada auxiliar

Para permitir que la unidad reciba una señal de audio de cualquier dispositivo que cuente con auriculares o salida de audio como un iPod, MP3 o reproductor de CD, el lateral derecho de la unidad está provisto con una toma de entrada auxiliar de 3,5 mm.

1. Conecte una fuente de audio estéreo o mono (por ejemplo, un iPod, MP3 o reproductor de CD) a la toma de audio auxiliar (marcada como "AUX") y el indicador de entrada de audio se volverá verde, indicando que el altavoz está en modo de entrada auxiliar.
2. Ajuste el volumen de su iPod, reproductor de MP3 o CD para garantizar una buena señal y después ajuste el volumen del altavoz a su gusto.
3. Para tener una mejor calidad de sonido, recomendamos que ajuste el volumen en su dispositivo de audio a más de dos tercios y a continuación, ajuste el volumen en el altavoz como necesite.

#### Nota:

1. Cuando en la toma de entrada auxiliar se conecta un dispositivo de audio, el altavoz cambiará del modo Bluetooth al modo de entrada auxiliar. También puede presionar el botón de fuente para seleccionar el modo deseado.
2. Al reproducir mediante la toma de entrada auxiliar, la pantalla no muestra información como título, artista, álbum, etc.
3. Al reproducir mediante la toma de entrada auxiliar, la reproducción o el modo reproducción no puede controlarse con los botones en el altavoz.

## Uso de dispositivos de memoria USB

#### Importante:

1. El altavoz está diseñado para funcionar únicamente con dispositivos de memoria flash USB. No está pensado para que se conecte a unidades de discos duros o cualquier otro tipo de dispositivo USB.
2. Es posible usar tarjetas SD o SDHC para la reproducción de contenido multimedia cuando se encuentran en un adaptador USB adecuado. Sin embargo, debido a la amplia variación de dichos adaptadores, no es posible garantizar que todas las combinaciones de adaptador/tarjeta funcionarán con el altavoz.
3. El altavoz ha sido probado con una amplia gama de dispositivos de memoria de hasta 32 GB de capacidad. Soporta USB 2.0 a velocidad máxima y USB 3.0. **(Nota:** Al usar USB 3.0, permita que el altavoz detecte el dispositivo durante un periodo mayor de tiempo).
4. La memoria USB debe usar el sistema de archivos FAT o FAT32 para poder funcionar con el altavoz, no es


compatible con NTFS.

5. Los formatos de audio compactibles para la reproducción son: MP3, WMA y AAC. La reproducción no admite archivos codificados usando WMA sin pérdida, WMA Voice, WMA 10 profesional, ni archivos en cualquier formato que tengan protección DRM.



#### ⚠️ Precauciones:

1. Para minimizar el riesgo de daño de su altavoz y memoria USB, coloque el altavoz de forma que el dispositivo no pueda ser golpeado fácilmente mientras está insertado en la toma.
2. Retire el USB antes de llevarse el altavoz o si no usa la función USB durante un período largo de tiempo.
3. Antes de retirar el dispositivo de memoria USB, apague el altavoz.
4. La conexión USB está pensada para ser usada solo por dispositivos de memoria flash. El uso de almacenamiento de contenido multimedia en discos duros no es compatible.
5. La reproducción a través de archivos USB guardados en reproductores de MP3 no está garantizada.
6. Los archivos o memorias USB grandes necesitan más tiempo para ser leídos.

## Reproducir archivos desde dispositivos de memoria USB

1. Abra la cubierta de la batería e inserte el dispositivo de memoria USB en la ranura USB ubicada en el compartimiento de la batería. Cierre la cubierta de la batería.
2. Presione el botón de encendido  para encender el altavoz, en la pantalla LCD aparecerá parpadeando "Leyendo". A continuación, el altavoz entrará en modo USB y empezará a reproducir desde el dispositivo de memoria USB. En pantalla se mostrará el número de carpeta y archivo, por ejemplo "F001 T0001". Cuando la información esté disponible, el altavoz también mostrará mensajes de texto deslizantes (como el título, artista, álbum, etc.).

#### Nota:

- a) La codificación de texto solo admite UNICODE. Si los archivos USB contienen codificación de texto que no sea UNICODE, los mensajes deslizantes aparecerán como texto ilegible.
- b) Una vez que la memoria USB se conecte, el altavoz entrará automáticamente al modo USB. También puede presionar el botón de fuente para seleccionar el modo deseado si fuera necesario.
3. Para pausar la reproducción, presione el botón de reproducir/pausar . Para continuar la reproducción, presione de nuevo el botón de reproducir/pausar .

#### Nota:

- a) Si apaga el altavoz, la próxima vez que el altavoz se encienda, continuará la última pista reproducida.
- b) Si durante la reproducción desde un dispositivo de memoria USB cambia a otro modo, la reproducción se pausará. Cuando cambie de nuevo al modo USB, la reproducción continuará desde el punto en el que fue pausada.
- c) Se recomienda almacenar en su dispositivo de memoria USB solo archivos de música (MP3/WMA/

AAC). Si hubiese una carpeta con otros archivos además de los archivos de música, el altavoz omitirá este archivo/carpeta y el número de archivo/carpeta mostrado en pantalla no será serial.

## Seleccionar un archivo

1. Durante la reproducción del dispositivo de memoria USB, presione el botón de pista siguiente ►►► o pista anterior ◀◀◀ para cambiar al archivo deseado. El número de archivo se actualizará en pantalla. Si hay más de una carpeta y todos los archivos de la carpeta actual han sido reproducidos, se reproducirá la siguiente carpeta.
2. Mantenga presionado el botón de pista siguiente ►►► o de pista anterior ◀◀◀ para avanzar rápidamente/ rebobinar la pista actual. Suelte el botón cuando haya llegado al punto deseado de la pista.

## Para saltar a otra carpeta

Cuando el dispositivo de memoria USB está en modo pausa o reproducción, presione y suelte el botón de carpeta siguiente ►►, o carpeta anterior ◀◀. Se reproducirá el primer archivo de la carpeta siguiente o anterior.

### Nota:

Si el USB contiene una carpeta sin archivos, el dispositivo omitirá la carpeta y reproducirá los archivos en la siguiente carpeta.

## Modo de reproducción

Al reproducir los archivos en la memoria USB, presione y suelte el botón de repetir/aleatorio para seleccionar:

**Repeat 1:** Reproduce repetidamente el archivo que está escuchando.

**Repeat Folder:** Reproduce repetidamente los archivos dentro de la carpeta que está escuchando.

**Random:** Reproducirá los archivos en el USB de forma aleatoria.

**Repeat All:** Reproduce repetidamente las carpetas en el USB.

## MANTENIMIENTO

### ⚠ PRECAUCIÓN:

- Nunca use gasolina, bencina, diluyentes, alcohol o similares. Podría dar como resultado decoloración, deformaciones o roturas.

## Especificaciones

Amplificador	
Potencia de salida	10,8 V-12 V máx.: 3 W 14.4V:6W 18V:10W
Frecuencia de respuesta	50Hz~20kHz
Entrada auxiliar	
Sensibilidad de entrada	250mVrms @100Hz
Altavoz	
Altavoz principal	101.6mm 8ohm 10W
Tweeter	36mm 8ohm 10W

Bluetooth (La marca de la palabra Bluetooth® y sus logotipos son marcas comerciales registradas bajo propiedad de Bluetooth SIG, Inc.)	
Versión Bluetooth	4.0
Perfil Bluetooth	A2DP SCMS-T AVRCP
Potencia de transmisión	Potencia de clase 2
Alcance de transmisión	Máximo 10 m (varía en función de las condiciones de uso)
Codec compatible	SBC
Perfil Bluetooth compatible	A2DP
Máxima potencia de radiofrecuencia	BT EDR: 3.88dBm BT LE: -1.4dBm
Frecuencia de operación	2402MHz~2480MHz

## Toma de reproducción USB

Estándares USB	USB 3.0 / USB 2.0
Sistema de archivos compatible	FAT32/16/12
Formatos de audio reproducibles	MP3 / WMA / AAC
Corriente máxima	500 mA (Máx.)

General	
Adaptador de alimentación de CA	Entrada CC 12 V 1,5 A, pin central positivo
Batería	Batería deslizante: 10,8 V-12 V máx. 14,4 V 18 V
Dimensiones (ancho x alto x largo)	211 mm x 206 mm x 199 mm
Peso	2,7 kg (sin la batería)

La compañía se reserva el derecho para modificar las especificaciones sin previo aviso.

## PORTUGUÊS

### Símbolos

O seguinte mostra os símbolos usados para o equipamento. Certifique-se que compreende o seu significado antes de usar.



Leia o manual de instruções



Apenas para países da UE

Não descarte o equipamento eletrónico ou pilhas juntamente com o lixo doméstico! Em conformidade com as Diretivas Europeias, sobre os Resíduos de Equipamentos Elétricos e Eletrónicos e Baterias e Acumuladores e Resíduos de Pilhas e Acumuladores e a sua implementação de acordo com as leis nacionais, equipamentos elétricos e baterias e pilhas gastas devem ser recolhidas separadamente e devolvidas para uma instalação de reciclagem compatível com o meio ambiente.

## SEGURANÇA IMPORTANTE INSTRUÇÕES

### ⚠ ADVERTÊNCIA:

Quando utiliza ferramentas elétricas, deve seguir sempre as precauções de segurança básicas para reduzir o risco de incêndio, choque elétrico e danos pessoais, incluindo o seguinte:

1. Leia cuidadosamente o manual de instruções e o manual de instruções do carregador antes de usar.
2. Limpe apenas com um pano seco.
3. Não instale o aparelho junto de fontes de calor como radiadores, registos de calor, fogões ou outros aparelhos (incluindo amplificadores) que produzam calor.
4. Utilize apenas as ligações/acessórios especificados pelo fabricante.
5. Desligue este aparelho quando houver trovoada ou quando não seja usado por um longo período de tempo.
6. Um altifalante que funciona a bateria com baterias integrais ou um conjunto de baterias separado só pode ser recarregado com o carregador especificado para a bateria. Um carregador adequado para um tipo de bateria pode criar um risco de incêndio quando usado com outra bateria.
7. Utilize o altifalante operado por bateria apenas com os conjuntos de baterias especificamente designados. O uso de quaisquer outras baterias pode criar um risco de incêndio.
8. Quando o conjunto da bateria não se encontra a uso, mantenha-o afastado de outros objetos de metal como: clips de papel, moedas, chaves, pregos, parafusos, ou outros objectos pequenos de metal que possam fazer a ligação entre dois terminais. Colocar em curto-circuito os terminais da bateria pode causar faíscas, queimaduras ou um incêndio.
9. Evitar contacto do corpo com superfícies ligadas à terra como tubos, radiadores, fogões e frigoríficos. Há um risco acrescido de choque elétrico se o corpo estiver ligado à terra.

10. Em condições de mau uso, poderá ser ejetado líquido da bateria, evite o contacto. Se ocorrer um contacto accidental, lave abundantemente com água. Se o líquido entrar em contacto com os olhos, procure também ajuda médica. O líquido ejetado da bateria pode causar irritação ou queimaduras.
11. Não utilize uma bateria ou ferramenta danificada ou modificada. Baterias danificadas ou modificadas podem exibir comportamentos imprevisíveis que resultam em incêndio, explosão ou risco de ferimentos.
12. Não exponha uma bateria ou ferramenta ao fogo ou temperatura excessiva. A exposição ao fogo ou a temperatura acima de 130°C pode provocar uma explosão.
13. Siga todas as instruções de carregamento e não carregue a bateria ou a ferramenta fora do intervalo de temperatura especificado nas instruções. Carregar incorretamente ou em temperaturas fora do intervalo especificado pode danificar a bateria e aumentar o risco de incêndio.
14. A ficha do CABO PRINCIPAL é usada para desligar o aparelho e permanecerá pronta a operar.
15. Não utilize o produto com o volume alto em nenhuma circunstância. Para evitar danos auditivos, utilize o produto com um nível de volume moderado.
16. (Apenas para produtos com visor LCD) Os visores LCD incluem líquidos que podem causar irritação e envenenamento. Se o líquido entrar nos olhos, na boca ou na pele, enxaguar com água e chamar um médico.
17. Não exponha o produto à chuva ou em condições húmidas. A entrada de água no produto aumentará o risco de choque elétrico.
18. Este produto não está destinado a ser utilizado por pessoas (incluindo crianças) com capacidades físicas, sensoriais ou mentais reduzidas, ou falta de experiência e conhecimento, a menos que tenham sido supervisionadas ou instruídas sobre o uso do produto por uma pessoa responsável pela sua segurança. As crianças devem ser supervisionadas para garantir que elas não brincam com o produto. Armazene o produto fora do alcance das crianças.

## GUARDE ESTAS INSTRUÇÕES

### NORMAS DE SEGURANÇA ESPECÍFICAS

#### PARA O CARTUCHO DA BATERIA

1. Antes de usar o cartucho da bateria, leia todas as instruções e marcas de advertência no (1) carregador da bateria, (2) bateria e (3) produto que usa a bateria.
2. Não desmonte o cartucho da bateria.
3. Se o período de funcionamento se tornar excessivamente curto, pare imediatamente o funcionamento. Pode provocar um risco de sobreaquecimento, possíveis queimaduras ou mesmo explosão.
4. Se o eletrólito entrar para os olhos, lave-os com água limpa e procure um médico imediatamente. Pode originar perda de visão.
5. Não faça curto circuito com a bateria:  
(1) Não toque nos terminais com qualquer material

condutor.

- (2) Evite guardar o cartucho da bateria num recipiente com outros objetos de metal como pregos, moedas, etc.
- (3) Não exponha o cartucho de bateria à água ou à chuva. Um curto circuito na bateria pode causar um grande fluxo de corrente, sobreaquecimento, possíveis queimaduras e mesmo avaria.
6. Não guarde a ferramenta e o cartucho da bateria em locais em que a temperatura possa chegar ou ultrapassar os 50 °C (122°F).
7. Não incinere o cartucho da bateria mesmo que se encontre muito danificado ou esteja completamente gasto. O cartucho da bateria pode explodir num incêndio.
8. Tenha cuidado para não deixar cair a bateria ou bater com a bateria.
9. Não use uma bateria danificada.
10. Para evitar riscos, o manual de substituição da bateria deve ser lido antes de usar. E a corrente de descarga máxima da bateria deve ser maior ou igual a 8A.
11. As baterias que contêm íons de lítio estão sujeitas aos requisitos da Legislação de Mercadorias Perigosas. Para transportes Comerciais, por exemplo, por terceiros, agentes de encaminhamento, requisitos especiais de embalamento e rotulagem devem ser observados.  
Para a preparação do item que está a ser enviado, é necessário consultar um especialista em materiais perigosos. Observe também as regulamentações nacionais mais detalhadamente.  
Fita ou cubrir os contatos abertos e arrumar a bateria de tal maneira que não pode se mover na embalagem.
12. Siga as regulamentações locais relativas à eliminação da bateria.
13. Use as baterias apenas com os produtos especificados pela Makita. A instalação das baterias em produtos não conformes pode resultar em incêndio, superaquecimento, explosão ou vazamento de eletrólito.

#### ⚠ CUIDADO:

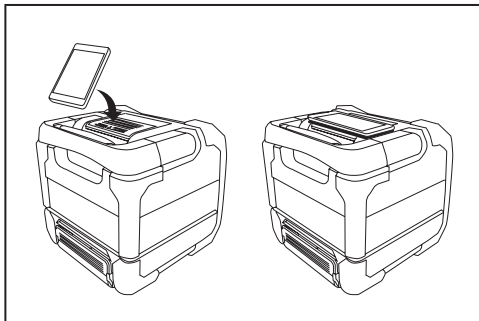
- Perigo de explosão se a bateria for substituída incorretamente.
- Substitua apenas pelo mesmo tipo ou equivalente.
- utilize apenas baterias Makita genuínas. O uso de baterias Makita não genuínas, ou baterias que tenham sido alteradas, pode resultar na explosão da bateria causando incêndios, danos pessoais e materiais. Também anulará a garantia da Makita para a ferramenta Makita e o carregador.

Conselhos para a manutenção prolongada da bateria

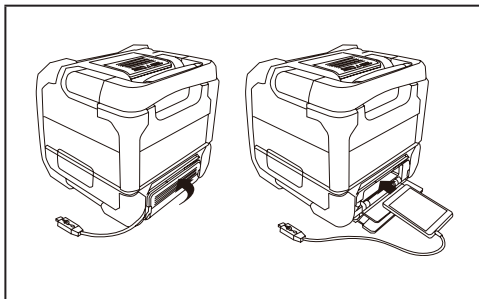
1. Carregue o cartucho da bateria antes de estar completamente descarregado. Pare sempre o funcionamento da ferramenta e carregue o cartucho da bateria quando notar uma menor potência da ferramenta.
2. Nunca recarregue um cartucho de bateria completamente carregado. O sobrecarregamento diminui a duração da bateria.
3. Carregue o cartucho da bateria à temperatura ambiente entre 10 °C e 40 °C (50 °F e 104 °F). Deixe que o cartucho da bateria quente arrefeça antes de o carregar.
4. Carregue o cartucho da bateria se não o usar por um longo período de tempo (mais de seis meses).

## Explicação do aspeto geral (Fig. 1)

1. Compartimento fechado da bateria
2. Pannel para colocação do telemóvel



3. Aumentar o volume
4. Diminuir o volume
5. Modo de reprodução
6. Pasta seguinte
7. Faixa seguinte / Avançar rápido
8. Visor LCD
9. Reproduzir/Pausar
10. Faixa anterior / Rebobinar
11. Pasta anterior / Emparelhamento do Bluetooth
12. Modo
13. Ligar/Desligar
14. Altifalante
15. Pega
16. DC in
17. Entrada Auxiliar
18. Carregamento USB
19. Tampa do compartimento para o telemóvel
20. Orifício para cabo
21. Compartimento para o telemóvel



22. Terminal de bateria 14,4 V / 18V
23. Terminal da bateria 10,8 V-12V máx
24. Entrada USB
25. Tampa da bateria
26. Bateria
27. Fundo

## Energia

O altifalante pode ser alimentado por conjuntos de baterias Makita ou através de uma tomada de parede normal.

### Alimentação por bateria

Quando "LOW BATTERY" (bateria fraca) for exibida no visor, substitua a bateria.

A tabela seguinte indica o tempo de funcionamento com um único carregamento.

Capacidade da bateria	Voltagem da bateria			SAÍDA ALTIFALANTE = 100mW Unidade: Hora (Aproximadamente)			
	10.8V-12Vmáx	14.4V	18V	Reprodução USB	Bluetooth	Entrada AUX	Reprodução USB + Carregamento USB (2.1A)
1.3Ah		BL1415		3.5	5.5	5.5	1.0
			BL1815	4.0	6.0	6.0	1.2
1.5Ah	BL1015 BL1016			5.5	7.5	9.0	0.9
		BL1415N		5.0	7.0	7.0	1.3
			BL1815N	5.5	7.5	7.5	1.4
2.0Ah	BL1020B BL1021B			7.5	10	11	1.1
			BL1820(B)	7.0	10	10	1.9
3.0Ah		BL1430(B)		8.0	12	12	2.2
			BL1830(B)	10	14	14	2.7
4.0Ah	BL1040B BL1041B			14	20	23	2.2
		BL1440		13	19	19	3.5
			BL1840(B)	14	20	20	3.5
5.0Ah		BL1450		16	23	23	4.0
			BL1850(B)	18	26	26	4.5
6.0Ah		BL1460B		17	25	25	4.5
			BL1860B	22	32	32	5.5

**⚠ AVISO:** Utilize apenas as baterias listadas acima. O uso de qualquer outra bateria pode causar ferimentos e / ou incendiar.

**Nota:** A tabela relativa ao tempo de operação da bateria acima é para referência. O tempo de operação real pode diferir com o tipo de bateria, condição de carregamento ou ambiente de utilização.

### Instalar ou remover o cartucho deslizante da bateria (fig. 3 e 4)

- Para instalar o cartucho da bateria, alinhar a ponta do cartucho da bateria com a ranhura do cartucho da bateria no compartimento e colocá-la no sítio. Insira sempre a totalidade para que fique no lugar e faça um clique.
- Se conseguir ver o indicador vermelho no lado superior do botão, não está completamente bloqueado. Instale-o completamente até deixar de ver o indicador vermelho. Se não, pode cair acidentalmente da ferramenta, causando-lhe ferimentos ou a qualquer pessoa perto

de si.

- Não force quando inserir o cartucho da bateria. Se o cartucho não deslizar facilmente, não foi inserido corretamente.
- Para retirar o cartucho da bateria, faça-o deslizar da ferramenta ao mesmo tempo que pressiona o botão na parte da frente do cartucho.

#### IMPORTANTE:

- Tenha cuidado para não trilhar os dedos ao fechar a tampa da bateria.

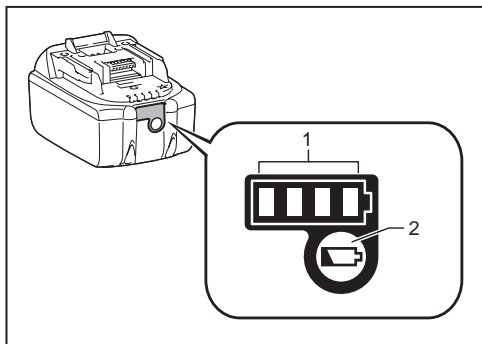
#### Nota:

Quando o altifalante estiver com bateria fraca, "LOW BATTERY" irá aparecer e piscar no visor LCD.



## Indicando a capacidade restante da bateria

Apenas os cartuchos de bateria com um "B" no final do número do modelo



► 1. Lâmpadas do indicador 2. Botão de verificação  
Pressione o botão de verificação do cartucho da bateria para indicar a capacidade remanescente da bateria. As lâmpadas indicadoras acendem durante uns segundos.

### Baterias de 14.4V/18V

Lâmpadas indicadoras			Capacidade restante
Aceso	Desligado	A Piscar	
■	■	■	75% ~ 100%
■	■	□	50% ~ 75%
■	□	□	25% ~ 50%
■	□	□	0% ~ 25%
◐	□	□	Carregue a bateria
■	■	□	A bateria pode estar avariada
□	□	■	

### Baterias de 10.8V-12V máx

Lâmpadas indicadoras			Capacidade restante
Aceso	Desligado	A Piscar	
■	■	■	75% ~ 100%
■	■	□	50% ~ 75%

■ ■ □ □	25% ~ 50%
■ □ □ □	0% ~ 25%

**NOTA:** Dependendo das condições de utilização e da temperatura ambiente, a indicação pode diferir ligeiramente da capacidade efetiva

## Usar o adaptador de corrente AC fornecido (Fig. 5)

Retire o protetor de borracha e insira a ficha do adaptador na tomada DC no lado direito do altifalante. Ligue o adaptador numa tomada normal. Sempre que é usado o adaptador, o conjunto da bateria é automaticamente desligado. O adaptador AC deve ser desligado da corrente quando não estiver a ser utilizado.

### IMPORTANTE:

- O adaptador de corrente é usado como meio de ligação do altifalante à corrente. A tomada de corrente usada para o altifalante tem de estar acessível durante o uso normal. Para desligar completamente o altifalante da corrente, o adaptador de corrente deve ser retirado completamente da tomada de corrente.
- Utilizar o adaptador de alimentação CA fornecido com o produto ou especificado apenas pela Makita.
- Não segure o cabo de alimentação na boca. Pode causar choque elétrico.
- Não toque na ficha de alimentação com as mãos molhadas ou gordurosas.
- Se o cabo estiver danificado, substitua-o no nosso centro de assistência autorizado por questões de segurança. Não utilize antes de o reparar.
- Após a utilização, armazene sempre o adaptador de alimentação CA fora do alcance das crianças. Se as crianças brincarem com o cabo, podem sofrer lesões.

## Tomada de abastecimento de energia USB

Esta entrada pode ser usada para carregar um telemóvel ou qualquer outro dispositivo que use corrente DC inferior a 2.1A. O carregamento só ocorre quando o altifalante está ligado.

**Nota:** Assegure-se que a especificação do seu dispositivo externo, telemóvel, mp3 player ou iPod, é compatível com o altifalante. Leia o manual de instruções do seu dispositivo externo antes de o carregar.

### IMPORTANTE:

- Antes de ligar o dispositivo USB ao carregador, faça sempre uma cópia de segurança dos dados do dispositivo USB. Caso contrário poderá perder os seus dados.
- O carregador não carrega alguns dispositivos USB.
- Quando não estiver a uso ou depois de carregar, retire o cabo USB e feche a tampa.
- Não ligue uma fonte de energia a uma porta USB. Caso contrário pode haver risco de incêndio. A porta USB destina-se apenas a carregar dispositivos de voltagem mais baixa. Coloque sempre a tampa da porta


USB quando não estiver a carregar dispositivos de voltagem mais baixa.

- Não insira pregos, fios, etc. na porta de abastecimento de energia USB. Caso contrário poderá ocorrer um curto circuito causando fumo e incêndio.
- Não ligue esta tomada USB à porta USB do PC, pois há uma forte possibilidade de poder causar a avaria das unidades.

## Emparelhamento e ligação de um dispositivo ao altifalante

Precisa emparelhar o seu dispositivo Bluetooth com o altifalante antes de poder se conectar automaticamente para reproduzir / transmitir música Bluetooth através do altifalante. O emparelhamento cria uma "ligação" para que os dois dispositivos possam se reconhecer. Para obter a melhor qualidade de som, recomendamos configurar o volume para mais de dois terços no seu dispositivo Bluetooth e, em seguida, ajuste o volume no altifalante conforme necessário.

## Emparelhar e usar o seu dispositivo Bluetooth pela primeira vez

1. Pressione o botão Ligar/Desligar para ligar  o altifalante e irá aparecer no visor 'BT PAIR' (emparelhar Bluetooth) para mostrar que o altifalante é detetável.
2. Ative o Bluetooth no seu dispositivo de acordo com o manual do utilizador do dispositivo para fazer a ligação ao altifalante. Localize a lista de dispositivos Bluetooth e selecione o dispositivo designado 'DMR202'. Com alguns telemóveis (que estão equipados com versões anteriores ao dispositivo Bluetooth BT2.1), pode necessitar de introduzir a palavra-passe "0000".
3. Uma vez conectado, haverá um sinal sonoro e o visor mostrará 'BT CONNECT' (Bluetooth conectado). Agora pode simplesmente selecionar e tocar qualquer música do seu dispositivo. O controlo de volume pode ser ajustado a partir do seu dispositivo, ou diretamente do altifalante.
4. Use os controlos do seu dispositivo com Bluetooth ou do altifalante para tocar/pausar e procurar faixas.


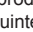
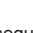
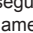
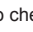

### Nota:

1. Se 2 dispositivos Bluetooth, forem emparelhados pela primeira vez, ambos procuram o seu altifalante, mostrando a sua disponibilidade em ambos os dispositivos. Porém, se um dispositivo se ligar a esta unidade primeiro, o outro dispositivo de Bluetooth não o encontrará na lista.
2. Se o dispositivo Bluetooth estiver temporariamente desligado do altifalante, então necessita de religar manualmente o seu dispositivo de novo ao altifalante.
3. Se aparecer 'DMR202' na sua lista de dispositivos Bluetooth mas o seu dispositivo não puder ligar-se ao mesmo, apague o item da sua lista e emparelhe, de novo, o dispositivo com o altifalante seguindo os passos descritos previamente.
4. O raio de funcionamento real entre o sistema e o dispositivo emparelhado é de aproximadamente 10 metros (30 pés). Qualquer obstáculo entre o sistema e o dispositivo pode reduzir o raio operacional.

5. O desempenho da conectividade do Bluetooth pode variar dependendo dos dispositivos Bluetooth ligados. Consulte as capacidades de Bluetooth do seu dispositivo antes de o ligar ao altifalante. Nem todas as funcionalidades são suportadas nalguns dispositivos Bluetooth emparelhados.

## Tocar ficheiros áudio em Modo Bluetooth

Depois de ter ligado com sucesso o seu altifalante ao dispositivo Bluetooth escolhido pode começar a tocar a sua música usando os controlos do dispositivo Bluetooth ligado.

1. Depois de começar a tocar ajuste o volume de acordo com o desejado, usando os botões de volume  do seu altifalante, ou os do dispositivo com capacidade Bluetooth.
2. Quando pressiona o botão de Volume para cima/para baixo, o indicador de volume pisca rapidamente em vermelho. Se a luz do indicador ficar fixa em vermelho, indica que o volume está no volume máximo ou no volume mínimo.
3. Use os controlos do seu dispositivo para tocar/pausar e procurar faixas. Em alternativa, controle a reprodução usando os Botões Play/Pausa  Faixa Seguinte  Faixa Anterior  no altifalante.
4. Prima e mantenha premido o botão de Faixa seguinte  ou  Faixa Anterior para avançar rapidamente / Rebobinar a faixa atual. Solte o botão quando chegar ao ponto desejado da faixa.


### Nota:

1. Nem todas as aplicações do aparelho ou dispositivo respondem a estes controlos.
2. Alguns telemóveis podem ficar temporariamente desligados do altifalante quando faz ou recebe chamadas. Alguns dispositivos podem silenciar temporariamente o streaming áudio do Bluetooth quando recebem mensagens de texto, emails, ou por outras razões não relacionadas com o streaming áudio. Esse comportamento é uma função do dispositivo ligado e não indica uma avaria no seu altifalante.
3. O visor não mostra informações como o título, artista, álbum, etc., durante a reprodução no modo Bluetooth.
4. As funções do modo de reprodução (Repetir/Aleatório) não podem ser usadas no modo Bluetooth.

## Memória do altifalante e reconhecimento de um dispositivo

O seu altifalante pode memorizar até 8 conjuntos de dispositivos emparelhados, quando a memória excede este valor, o histórico do emparelhamento mais antigo será substituído. Se o seu dispositivo Bluetooth já tiver sido emparelhado anteriormente com o altifalante, a unidade memorizará o seu dispositivo Bluetooth e este tenta restabelecer a ligação com um dispositivo na memória que tenha sido ligado da última vez. Se o último dispositivo ligado não estiver disponível, o altifalante fica disponível.

## Desligar o Dispositivo Bluetooth

Prima e mantenha premido o botão de emparelhamento Bluetooth  durante 2 a 3 segundos para o desligar do seu dispositivo Bluetooth. O indicador do Bluetooth pisca a azul indicando que o altifalante está de novo disponível para emparelhamento.

## Tocar música através da tomada de entrada auxiliar

É fornecida uma tomada de entrada auxiliar de 3,5mm, do lado direito da unidade, para permitir a alimentação de um sinal áudio na unidade a partir de quaisquer dispositivos que tenham auscultadores ou saída de áudio, como um iPod, MP3 ou reproduzidor de CDs.

1. Ligue a uma fonte áudio estéreo ou mono (por exemplo, iPod, MP3 ou reproduzidor de CDs) à tomada de entrada Auxiliar (marcada 'AUX') e o indicador Aux in fica verde indicando que o altifalante está em modo de saída auxiliar.
2. Ajuste o controlo do Volume no seu iPod, MP3 ou reproduzidor de CDs para assegurar um sinal adequado e ajuste depois o volume no altifalante para obter um nível de som confortável.
3. Para obter a melhor qualidade de som, recomendamos configurar o volume para mais de dois terços no seu dispositivo de áudio e, em seguida, ajuste o volume no altifalante conforme necessário.

### Nota:

1. Quando o Aux está conectado a um dispositivo de áudio, o altifalante irá trocar de Bluetooth para o modo de entrada auxiliar. Também pode pressionar o botão Modo para selecionar o modo desejado.
2. O visor não mostra informações como título, artista, álbum, etc., durante a reprodução via entrada auxiliar.
3. O modo de reprodução ou reprodução não pode ser controlado com os botões do alto-falante, quando reproduzido via entrada auxiliar.

## Utilizar dispositivos de memória USB

### Importante:


1. O altifalante foi projetado apenas para trabalhar com dispositivos de memória flash USB. Não se destina a ser conectado a unidades de disco rígido ou a qualquer outro tipo de dispositivo USB.
2. É possível utilizar cartões SD ou SDHC para reprodução de mídia quando colocados num adaptador USB adequado. No entanto, devido à ampla variação de tais adaptadores, não é possível garantir que todas as combinações de adaptadores / cartões funcionem com o altifalante.
3. O altifalante foi testado com uma variedade de dispositivos de memória USB de até 32 GB de capacidade. Ele suporta a velocidade máxima USB 2.0 e o USB 3.0. (Nota: ao usar o USB 3.0, por favor, permitir que o altifalante detecte o dispositivo por um longo período de tempo).
4. A memória USB deve utilizar o sistema de arquivamento FAT ou FAT 32 para operar com o altifalante, não suporta NTFS.
5. Os formatos de áudio suportados para reprodução

são MP3, WMA e AAC. A reprodução não suporta ficheiros codificados usando WMA sem perdas, WMA Voice, WMA 10 profissional, nem ficheiros de qualquer formato que tenham proteção DRM.



### ⚠ Cuidados:

1. Para minimizar o risco de danos ao seu altifalante e à memória USB, coloque o altifalante de modo que o dispositivo não possa ser facilmente derrubado enquanto ele é inserido na entrada.
2. USB antes de transportar o altifalante ou se não estiver a utilizar o recurso USB por um período prolongado.
3. Desligue o altifalante antes de remover o seu dispositivo de memória USB.
4. A conexão USB destina-se apenas a dispositivos de memória flash. O uso de armazenamento no disco rígido não é suportado.
5. A reprodução através de ficheiros USB armazenados em leitores MP3 não é garantido.
6. Arquivo de grande tamanho ou dispositivo USB de grande memória leva mais tempo para ler.

## Reproduzir ficheiros a partir de dispositivos de memória USB

1. Abra a tampa da bateria e insira o dispositivo de memória USB na entrada USB que está localizado no compartimento da bateria. Feche a tampa da bateria.
2. Pressione o botão Ligar/Desligar para ligar  o altifalante e irá aparecer e piscar no visor LCD "Reading" (a ler). Em seguida, o altifalante entrará no modo USB e começará a reproduzir a partir do dispositivo de memória USB. No visor irá mostrar a pasta e o número de arquivo, por ex. 'F001 T0001'. O altifalante também mostra as mensagens de texto em scroll (como título, artista, álbum, etc.) quando existirem informações disponíveis.

### Nota:

- a) A codificação de texto apenas suporta UNICODE, se os ficheiros USB contiverem codificação de texto diferente de UNICODE, as mensagens de texto aparecerão ilegíveis.
- b) Uma vez que o dispositivo de memória USB esteja conectado, o altifalante entrará automaticamente no modo USB. Também pode pressionar o botão Modo para selecionar o modo desejado, se necessário.
3. Para colocar em pausa a reprodução, pressione o botão Reproduzir/Pausar . Para continuar a reproduzir, pressione o botão Reproduzir / Pausar  novamente.

### Nota:

- a) Se desligar o altifalante, a próxima vez que o altifalante é for ligado, ele irá continuar reproduzir a última faixa d e reprodução.
- b) Se trocar para outro modo quando estiver a reproduzir a partir do dispositivo de memória USB, a reprodução entrará em pausa. Quando trocar novamente para o modo USB, a reprodução será retomada a partir do ponto em que foi colocada em pausa.
- c) Recomenda-se armazenar apenas ficheiros de música (MP3 / WMA / AAC) no seu dispositivo de memória USB. Se uma pasta contiver ficheiros (s) diferente(s) de ficheiros de música, o altifalante ignorará esses ficheiros /pasta e o ficheiro /número da pasta exibida no visor não será em série.

## Selecionar um ficheiro

1. Enquanto o dispositivo de memória USB está a ser reproduzido, pressione o botão Faixa Seguinte ►► ou o botão Faixa Anterior ◀◀ para trocar para o ficheiro desejado. O número do ficheiro é atualizado no visor. Se houver mais de que uma pasta, todos os ficheiros da pasta atual devem ser reproduzidos e a próxima pasta será reproduzida.
2. Pressione e mantenha pressionado o botão Faixa Seguinte ►► ou o botão Faixa Anterior ◀◀ para avançar rapidamente/rebobinar a faixa atual. Solte o botão quando chegar ao ponto desejado na faixa.

## Saltar para a pasta seguinte

Com o dispositivo de memória USB estiver em modo de pausa ou de reprodução, pressione e solte o botão Pasta Seguinte ►► ou o botão Pasta Anterior ◀◀. O primeiro ficheiro da próxima ou anterior pasta será reproduzido.

### Nota:

Se o seu USB contiver uma pasta sem ficheiros, o dispositivo ignorará a pasta e reproduzirá os ficheiros da próxima pasta.

## Modo de reprodução

Ao reproduzir os arquivos no dispositivo de memória USB, pressione e solte o botão Repetir/Aleatório para selecionar.

**Repeat 1:** reproduz repetidamente o ficheiro que está a ouvir.

**Repeat Folder:** reproduz repetidamente os ficheiros dentro da pasta que está a ouvir.

**Random:** reproduz os ficheiros do USB aleatoriamente.

**Repeat All:** reproduz repetidamente as pastas no USB.

## MANUTENÇÃO

### ⚠ ATENÇÃO:

- Nunca use gasolina, benzina, diluente, álcool ou similares. Podem originar descoloração, deformação ou rachas.

## Especificações

Amplificador	
Energia de Saída	10.8V-12V máx: 3W 14.4V: 6W 18V: 10W
Resposta de Frequência	50Hz~20kHz
Aux In	
Sensibilidade de entrada	250mVrms @100Hz
Altifalante	
Altifalante Principal	101.6mm 8ohm 10W
Altifalante tweeter	36mm 8ohm 10W

Bluetooth (A marca e os logotipos Bluetooth® word são marcas registradas de propriedade da Bluetooth SIG, Inc.)	
Versão Bluetooth	4.0
Perfil Bluetooth	A2DP SCMS-T AVRCP
Energia de Transmissão	Energia de Classe 2
Raio de Transmissão	Máx. 10m (varia de acordo com as condições de uso)
Codec suportado	SBC
Perfil Bluetooth compatível	A2DP
Potência máxima de rádio-frequência	BT EDR: 3.88dBm BT LE: -1.4dBm
Frequência de operação	2402MHz~2480MHz

Entrada USB	
USB padrão	USB3.0 / USB2.0
Sistema de arquivos compatível	FAT 32/16/12
Formato de áudio compatível	MP3 / WMA / AAC
Corrente Máxima	500 mA (Máx)

Geral	
Adaptador de alimentação CA	DC in 12V 1.5A, pino central positivo
Bateria	Bateria de deslize: 10.8 V-12V máx 14.4 V 18 V
Dimensões (L x A x P)	211 mm x 206 mm x 199 mm
Peso	2.7KG (sem bateria)

A empresa reserva-se o direito de alterar as especificações sem aviso prévio.

## Symboler

I det efterfølgende vises de symboler, der anvendes for udstyret. Sørg for at du forstår deres betydning før brug.



Læs brugsanvisningen.



Kun for EU-lande

Smid ikke elektrisk udstyr eller batterier ud sammen med husholdningsaffald!  
Under overholdelse af de europæiske direktiver om elektrisk og elektronisk udstyr og batterier og akkumulatører og opbrugte batterier og akkumulatører og deres gennemførelse i overensstemmelse med national lovgivning skal elektrisk udstyr og batterier og batteripakker, der er nået til enden af deres levetid, indsamles separat og returneres til et miljømæssigt egnet genvindingsanlæg.

## VIGTIGE SIKKERHEDSANVISNINGER VEJLEDNING

### ⚠ ADVARSEL:

Ved brug af elektrisk værktøj bør grundlæggende sikkerhedsforanstaltninger altid følges for at reducere risikoen for brand, elektrisk stød og personskade, herunder følgende:

1. Læs omhyggeligt denne brugsanvisning og opladerens brugsanvisning før brug.
2. Må kun rengøres med en tør klud.
3. Må ikke installeres i nærheden af varmekilder såsom radiatorer, varmeapparater, ovne eller andre apparater (herunder forstærkere) der producerer varme.
4. Brug kun tilbehør/ekstraudstyr, som er godkendt af fabrikanten.
5. Tag dette apparats stik ud, hvis der opstår tordenvejr eller når det ikke skal benyttes i længere tid.
6. En eventuelt batteridrevet højttaler med integrerede batterier eller en separat batteripakke må udelukkende oplades med den oplader der er specificeret til batteriet. En oplader, der er egnet til én type batterier, kan skabe risiko for brand, hvis den anvendes sammen med en anden type batterier.
7. Brug kun de specificerede batteripakker sammen med batteridrevne højttalere. Brug af andre batterier kan medføre risiko for brand.
8. Når batteripakken ikke er i brug, skal man holde den borte fra andre metalgenstande som f.eks. papirclips, mønter, nøgler, søm, skruer eller andre små metalgenstande, der skabe forbindelse fra den ene terminal til den anden. Kortslutning mellem batteripolerne kan forårsage gnister, forbrændinger eller brand.
9. Undgå kontakt med jordforbundne overflader såsom rør, radiatorer, komfurer og køleskabe. Der er øget risiko for elektrisk stød, hvis din krop er jordforbundet.
10. Hvis det anvendes forkert, kan der slippe væske ud af batteriet; undgå kontakt. Hvis det alligevel skulle ske, skal man skylle med vand. Hvis væsken kommer i kontakt med øjnene, skal man desuden søge lægehjælp. Væske der trænger ud af batteriet, kan

forårsage irritation eller forbrændinger.

11. Brug ikke en batteripakke eller et værktøj, som er beskadiget eller modificeret. Beskadigede eller ændrede batterier kan udvise uforudsigelig adfærd, der resulterer i brand, eksplosion eller risiko for skade.
12. Udsæt ikke en batteripakke eller et værktøj for brand eller overdrevent høj temperatur. Hvis det udsættes for ild eller temperatur over 130 °C, kan det forårsage eksplosion.
13. Følg alle opladningsinstruktioner, og oplad ikke batteriet eller værktøjet uden for det temperaturområde, der er angivet i vejledningen. Ukorrekt opladning eller ved temperaturer uden for det angivne område kan beskadige batteriet og øge risikoen for brand.
14. NETSTIKKET bruges som afbryder, og det skal derfor være let og hurtigt tilgængeligt.
15. Brug ikke produktet ved høj lydstyrke i længere tid. For at undgå høreskader, brug produktet ved moderat lydstyrke.
16. (Kun for produkter med LCD-skærm) LCD-skærme indeholder væske, der kan forårsage irritation og forgiftning. Hvis væsken kommer i øjnene, munden eller huden, skal man området med vand og kontakte en læge.
17. Udsæt ikke produktet for regn eller våde forhold. Vand, der kommer ind i produktet, øger risikoen for elektrisk stød.
18. Dette produkt er ikke beregnet til brug af personer (herunder børn) med nedsatte fysiske, sensoriske eller mentale evner eller manglende erfaring og viden, medmindre de er under opsyn eller har fået instruktioner vedrørende brugen af produktet af en person, der er ansvarlig for deres sikkerhed. Børn skal overvåges for at sikre, at de ikke leger med produktet. Opbevar produktet utilgængeligt for børn.

## OPBEVAR DISSE INSTRUKTIONER

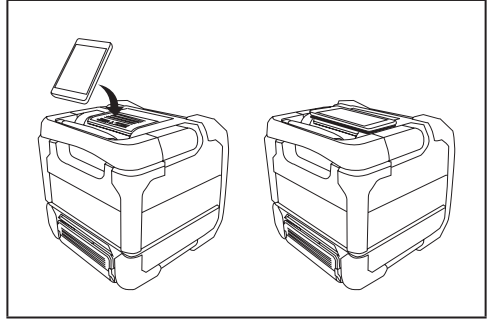
### SÆRLIGE SIKKERHEDSREGLER

#### VEDR. BATTERIPAKKE

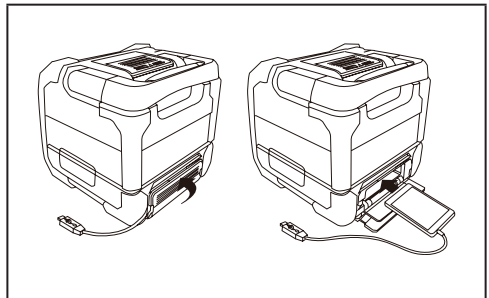
1. Før du bruger batteripakken, skal du læse alle instruktioner og advarselmarkeringer på (1) batterioplader, (2) batteri og (3) produktet, som batteri skal bruges i.
2. Adskil ikke batteripakken.
3. Hvis driftstiden er blevet væsentligt kortere, skal man standse driften med det samme. Det kan medføre risiko for overophedning, forbrændinger og endda eksplosion.
4. Hvis du får elektrolyt i øjnene, skal du skylle dem med rent vand og søge læge med det samme. Det kan resultere i tab af synet.
5. Man må ikke kortslutte batteripakken:
  - (1) Berør ikke terminalerne med nogen som helst elektrisk ledende materialer.
  - (2) Undgå at opbevare batteripakken i en beholder, som indeholder andre metalgenstande såsom søm, mønter, osv.
  - (3) Udsæt ikke batteripakken for vand eller regn. En eventuel kortslutning af batteriet kan medføre at der opstår en stor strømstyrke, overophedning, mulige forbrændinger og endog sammenbrud.

## Forklaring af generel oversigt (fig.1)

1. Batterirum
2. Panel til montering af mobil enhed (mobiltelefon)



4. Lydstyrke op-knap
4. Lydstyrke ned-knap
5. Afspilningstilstandsknap
6. Næste mappe knap
7. Næste nummer-knap / Hurtigt fremad-knap
8. LCD display
9. Afspil/pause-knap
10. Førrige nummer-knap / Tilbagespolingsknap
11. Førrige mappe knap / Bluetooth-parring
12. Kildeknap
13. Tænd-/sluk-knap
14. Højttaler
15. Håndtag
16. DC indgangsstik
17. Aux-indgangsstik
18. USB-opladningsstik
19. Dæksel mobil opbevaringsskab
20. Kabelhul
21. Mobil opbevaringsskab (f.eks. mobiltelefon)



22. 14,4 V / 18V batteriterminal
23. 10,8 V - 12V maks. batteriterminal
24. USB-afspilningsstik
25. Batteridæksel
26. Batteri
27. Knap

6. Opbevar ikke værktøjet og batteripakken på steder, hvor temperaturen kan nå eller overstige 50 °C (122 °F).
7. Man må ikke brænde batteripakken, selv om den er alvorligt beskadiget eller helt slidt op. Batteripakken kan eksplodere, hvis den udsættes for ild.
8. Pas på ikke at tage batteri eller udsætte det for stød.
9. Brug ikke et beskadiget batteri.
10. For at undgå risikoen skal man læse manualen vedrørende udskiftning af batteriet inden brug. Og batteriets maksimale udløbsstrøm skal være større end eller lig med 8A.
11. Det indeholder lithium-ion-batterier, som er underlagt kravene i lovgivningen om farligt gods. For erhvervsmæssig transport, f.eks. via tredjeparter eller fremsendelsesagenter skal særlige krav til emballering og mærkning overholdes.  
Ved forberedelse af forsendelse af varen er det nødvendigt at konsultere en ekspert i farligt materiale. Vær også opmærksom på mere detaljerede nationale bestemmelser.  
Blottede kontakter skal isoleres med tape eller andre midler, og batteriet skal pakkes på en sådan måde, at det ikke kan bevæge sig rundt i emballagen.
12. Følg de lokale forskrifter vedrørende bortskaffelse af batterier.
13. Brug kun batterierne sammen med de produkter, der er specificeret af Makita. Installation af batterier i ikke-kompatible produkter kan resultere i brand, ekstrem varmeudvikling, eksplosion eller lækage af elektrolyt.

### ⚠ ADVARSEL:

- Fare for eksplosion, hvis batteriet udskiftes forkert.
- Udskift kun med samme eller tilsvarende type.
- Brug kun ægte Makita-batterier. Brug af uægte Makita-batterier eller batterier, der er modificerede, kan resultere i, at batteriet sprænges og forårsager brand, kvæstelser og andre skader. Det vil også ugyldiggøre Makita-garantien for Makita-værktøjet og opladeren.

### Tips til at opretholde maksimal batterilevetid

1. Oplad batteripakken igen inden den er helt afladet. Hold op med at bruge værktøjet og oplad batteripakken, når du bemærker at værktøjets styrke mindskes.
2. Oplad aldrig en batteripakke, som allerede er fuldt opladet. Overopladning forkorter batteriets levetid.
3. Oplad batteripakken i omgivelser, der har en temperatur på 10 °C - 40 °C (50 °F - 104 °F). Lad en varm batteripakke køle ned, før den oplades.
4. Oplad batteripakken, hvis du ikke bruger den i en længere periode (mere end seks måneder).

## Strømforsyning

Højtaleren kan forsynes med strøm fra Makita-batterier eller en almindelig stikkontakt.

## Batteriforsyning

Når "LOW BATTERY" (LAVT BATTERINIVEAU) vises på displayet, skal du udskifte batteriet.

Nedenstående tabel viser hvor lang tid enheden kan fungere på en enkelt opladning.

Batterikapacitet	Batterispænding			VED HØJTTALER-OUTPUT = 100mW Enhed: Time (ca.)			
	10,8V-12V maks.	14,4V	18V	USB- afspilning	Bluetooth	AUX IN	USB-afspilning + USB- opladning (2,1A)
1.3Ah		BL1415		3.5	5.5	5.5	1.0
			BL1815	4.0	6.0	6.0	1.2
1.5Ah	BL1015 BL1016			5.5	7.5	9.0	0.9
		BL1415N		5.0	7.0	7.0	1.3
			BL1815N	5.5	7.5	7.5	1.4
2.0Ah	BL1020B BL1021B			7.5	10	11	1.1
			BL1820(B)	7.0	10	10	1.9
3.0Ah		BL1430(B)		8.0	12	12	2.2
			BL1830(B)	10	14	14	2.7
4.0Ah	BL1040B BL1041B			14	20	23	2.2
		BL1440		13	19	19	3.5
			BL1840(B)	14	20	20	3.5
5.0Ah		BL1450		16	23	23	4.0
			BL1850(B)	18	26	26	4.5
6.0Ah		BL1460B		17	25	25	4.5
			BL1860B	22	32	32	5.5

**⚠ ADVARSEL:** Brug kun de batterier, der angives ovenfor. Brug af andre batterikassetter kan forårsage skade og/eller brand.

**Bemærk:** Tabel vedrørende batteridriftstiden ovenfor er kun vejledende. Den faktiske driftstid kan afvige alt efter batteritypen, opladningsbetingelserne eller brugsmiljøet.

## Installation eller fjernelse af batteripakke (fig. 3 og 4)

- For at installere batteripakken, skal man placere tungen på batteripakken ud for rillen i huset og skyde den på plads. Sæt den altid hele vejen i, indtil den låses på plads med et lille klik.
- Hvis du kan se den røde indikator på oversiden af knappen, er den ikke fuldstændigt låst. Sæt den helt i, så den røde indikator ikke kan ses. Hvis man ikke gør det, kan den ved et uheld falde ud af værktøjet og forårsage skade på dig eller nogen omkring dig.

- Brug ikke overdreven kraft, når du sætter batteripakken i. Hvis patronen ikke let kan skubbes ind, er den ikke sat korrekt i.
- For at fjerne batteripakken, skal man skyde den ud af værktøjet, mens man trykker på knappen på forsiden af pakken.

### VIGTIG:

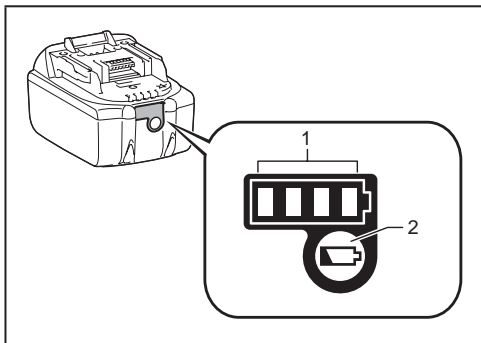
- Pas på ikke at klemme fingrene, når du lukker batteridækslet.

### Bemærk:

Når højtalerens batteriniveau er lavt, vises 'LOW BATTERY' og blinker på LCD-skærmen.

## Angiver den resterende batterikapacitet

Gælder kun batteripakker med "B" i slutningen af modelnummeret



► 1. Indikatorlamper 2. Kontrollnap

Tryk på knappen til kontrol af batteripatronen for at se den resterende batterikapacitet. Indikatorlamperne lyser i nogle få sekunder.

### • 14,4V / 18V batterier

Indikatorlamper			Resterende kapacitet
Tændt	Slukket	Blinker	
■	■	■	75% ~ 100%
■	■	□	50% ~ 75%
■	□	□	25% ~ 50%
■	□	□	0% ~ 25%
◻	□	□	Lad batteriet op
■	■	□	Batteriet kan være defekt
□	□	■	

### • 10,8V-12V maks. batterier

Indikatorlamper			Resterende kapacitet
Tændt	Slukket	Blinker	
■	■	■	75% ~ 100%
■	■	□	50% ~ 75%
■	□	□	25% ~ 50%



0% ~ 25%

**BEMÆRK:** Afhængigt af betingelserne for anvendelse og den omgivende temperatur, kan indikationen dog afvige lidt fra den faktiske kapacitet.

## Brug af den medfølgende lysnetadapter (fig. 5)

Fjern gummi-beskytteren og indsæt adapterens stik i jævnstrømsstikket på højre side af højttaleren. Sæt adapteren i en standardstikkontakt. Når adapteren anvendes, afbrydes forbindelsen til batteriet automatisk. Vekselstrømsadapteren bør tages ud af stikkontakten, når den ikke er i brug.

### VIGTIGT:

- Strømforsyningen bruges til at forbinde højttaleren til elnettet. Den stikkontakt der bruges til højttaleren, skal forblive lettilgængelig under normal brug. For helt at afbryde højttalerens forbindelse til elnettet, skal netadapterens stik tages ud af stikkontakten.
- Brug udelukkende den netadapter der følger med produktet, eller som er angivet af Makita.
- Undlad at komme forsyningskabel eller stik i munden. Det kan medføre elektrisk stød.
- Undlad at berøre stikket med våde eller fedtede hænder.
- Hvis ledningen er beskadiget, skal den udskiftes af vores autoriserede servicecenter for at undgå en sikkerhedsrisiko. Brug den ikke før reparation.
- Efter brug skal du altid placere lysnetadapteren uden for børns rækkevidde. Hvis børn leger med ledningen, kan de komme til skade.

## USB-strømforsyningsstik

Dette stik kan bruges til at oplade en mobiltelefon eller andre enhed, der bruger mindre end 2.1A jævnstrøm. Opladningen vil kun finde sted, når højttaleren er tændt.

**Bemærk:** Sørg for at specifikationerne for din eksterne enhed såsom mobiltelefon, mp3-afspiller eller iPod er kompatible med højttaleren. Læs betjeningsvejledningen til din eksterne enhed før opladning.

### VIGTIGT:

- Før en USB-enhed sluttes til opladeren, skal der altid tages sikkerhedskopi af alle data på USB-enheden. Ellers kan dine data gå tabt af forskellige årsager.
- Opladeren kan ikke levere strøm til visse USB-enheder.
- Når stikket ikke bruges eller efter opladning, skal man fjerne USB-kablet og lukke dækslet.
- Strømkilder må ikke sluttes til USB-portene. Ellers er der risiko for brand. USB-porten er kun beregnet til opladning af lavspændingsenheder. Anbring altid dækslet på USB-porten, når den ikke benyttes til at oplade lavspændingsenheden.
- Stik ikke søm, ståltråd o.lign. i USB-strømforsyningsporten. Ellers kan en kortslutning forårsage røg og brand.
- Slut ikke dette USB-stik til din pc's USB-port, da det er meget muligt, at det kan forårsage at enhederne bryder sammen.




## Parring og tilslutning af en enhed til højttaleren

Du skal parre din Bluetooth-enhed med højttaleren, før du automatisk kan oprette forbindelse og afspille/streamer Bluetooth-musik gennem højttaleren. Parring skaber en 'tilknytning', så to enheder kan genkende hinanden.

For at få bedre lyd kvalitet anbefaler vi, at man indstiller lydstyrken til mere end to tredjedele af fuld lydstyrke på Bluetooth-enheden og derefter juster lydstyrken på højttaleren efter behov.

## Parring og afspilning med din Bluetooth-enhed for første gang







1. Tryk på tænd-/sluk-knappen  for at tænde højttaleren og "BT PAIR" (BT-PARRING) vises på displayet for at vise, at højttaleren kan opdages.
2. Aktivér Bluetooth på enheden i henhold til enhedens brugermanual for at oprette forbindelse til højttaleren. Find Bluetooth-enhedslisten og vælg enheden med navnet "DMR202". Med nogle mobilere (som er udstyret med versioner, der er tidligere end BT2.1 Bluetooth-enhed), skal du muligvis indtaste koden "0000".
3. Når der er oprettet forbindelse, udsendes der en bilyd, og displayet viser 'BT CONNECT' (BT FORBINDELSE). Du kan nu vælge og afspille musik fra din kildeenhed. Lydstyrken kan justeres fra din kildeenhed eller direkte på højttaleren.
4. Brug knapperne på din Bluetooth-aktiverede enhed eller på højttaleren til at afspille/pause og navigere mellem numre.

### Bemærk:

1. Hvis der er tale om 2 Bluetooth-enheder, som skal parres for første gang, kan du søge efter højttaleren på dem begge, den vil være tilgængelig på begge enheder. Men hvis den ene enhed opretter forbindelse med denne enhed først, vil den ikke være at finde den på listen på den anden Bluetooth-enhed.
2. Hvis din Bluetooth-enheds forbindelse til din højttaler midlertidigt afbrydes, skal du genoprette enhedens forbindelse til højttaleren manuelt.
3. Hvis "DMR202" vises i din Bluetooth-enheds liste, men enheden ikke kan oprette forbindelse til den, skal du slette elementet fra listen og parre enheden med højttaleren igen ved at følge de trin, som er beskrevet ovenfor.
4. Den maksimale rækkevidde mellem systemet og den parrede enhed er cirka 10 meter (30 fod). Enhver forhindring mellem systemet og enheden kan reducere den brugbare rækkevidde.
5. Bluetooth-forbindelsens ydelse kan variere afhængigt af de tilsluttede Bluetooth-enheder. Undersøg enhedens Bluetooth-funktionalitet, inden du slutter den til din højttaler. Det er måske ikke alle funktioner der understøttes på visse parrede Bluetooth-enheder.

## Afspilning af lydfiler i Bluetooth-tilstand

Når du har oprettet forbindelse mellem højttaleren og den valgte Bluetooth-enhed, kan du begynde at afspille din musik ved hjælp af knapperne på din tilsluttede Bluetooth-enhed.

1. Når afspilning er begyndt, kan man justere lydstyrken til det ønskede niveau med lydstyrke-knapperne  på højttaleren eller på den aktiverede Bluetooth-enhed.
2. Når du trykker på knappen lydstyrke op/ned vil indikatoren for lydstyrke blinke hurtigt rødt. Hvis kontrollampen konstant lyser rødt, angiver det at lydstyrken er indstillet til maksimalt eller minimalt niveau.
3. Brug knapperne på din enhed til at afspille/pause og navigere mellem numre. Man kan alternativt styre afspilningen ved hjælp af knapperne Afspil/Pause , Næste nummer  eller Forrige nummer  på højttaleren.
4. Tryk på knappen Næste nummer  eller Forrige nummer  og hold den inde for at spole hurtigt frem/tilbage i det aktuelle nummer. Slip knappen, når det ønskede punkt i nummeret er nået.


### Bemærk:

1. Det er ikke alle afspilnings-apps eller -enheder der reagerer på disse kontroller.
2. Nogle mobiltelefoner afbryder midlertidigt forbindelsen til din højttaler, når du foretager eller modtager opkald. Nogle enheder dæmper midlertidigt deres Bluetooth-lydafspilning, når de modtager SMS-beskeder, e-mails eller af andre grunde, som ikke er relateret til lyd streaming. Sådanne effekter stammer fra den tilsluttede enhed, og indikerer ikke at der er noget i vejen med din højttaler.
3. Displayet viser ikke oplysninger såsom titel, kunstner, album og lignende, når der afspilles i Bluetooth-tilstand.
4. Afspilningsstilstandsfunktioner (Gentag/Tilfældig) kan ikke bruges i Bluetooth-tilstand.

## Højttaler-hukommelse og genoprettelse af forbindelse til en enhed

Din højttaler kan huske op til 8 sæt af parrede enheder. Når antallet overstige dette, vil den først parrede enhed blive slettet fra hukommelsen. Hvis din Bluetooth-enhed allerede er blevet parret med højttaleren tidligere, vil enheden huske din Bluetooth-enhed, og den vil forsøge at genoprette forbindelsen med en enhed i hukommelsen, som tidligere er blevet tilsluttet. Hvis den senest tilsluttede enhed ikke er tilgængelig, vil højttaleren være synlig for andre Bluetooth-enheder.

## Afbrydelse af forbindelsen til din Bluetooth-enhed

Tryk på knappen til Bluetooth-parring  og hold den inde i 2-3 sekunder for at afbryde forbindelsen til din Bluetooth-enhed. Bluetooth-indikatoren blinker blåt, hvilket angiver at højttaleren er synlig igen og klar til parring.

## Afspilning af musik via stik til eksterne signalkilde

En 3,5 mm stik til ekstern signalkilde er placeret på højre side af enheden, så man kan afspille et lydsignal på enheden fra alle enheder, der har et hovedtelefonstik eller anden lydudgang, såsom en iPod, MP3 eller CD-afspiller.

1. Tilslut en stereo- eller mono-lydkilde (f.eks. iPod, MP3- eller CD-afspiller) til det eksterne signalkildestik (mærket 'AUX') og indikatoren 'Aux in' bliver grøn, hvilket indikerer at højttaleren afspiller signalet fra det eksterne signalkildestik.
2. Juster lydstyrkekontrollen på din iPod, MP3 eller CD-afspiller for at sikre et passende signal, og juster derefter lydstyrken på højttaleren, så den er behagelig at lytte til.
3. For at få bedre lyd kvalitet anbefaler vi, at man indstiller lydstyrken til mere end to tredjedele af fuld lydstyrke på enheden og derefter juster lydstyrken på højttaleren efter behov.

### Bemærk:

1. Når en lydenhed tilsluttes Aux-indgangen, skifter højttaleren fra Bluetooth til Aux-indgangstilstand. Du kan også trykke på kildeknappen for at vælge den ønskede tilstand.
2. Displayet viser ikke oplysninger såsom titel, kunstner, album og lignende, når der afspilles via AUX-stikket.
3. Afspilningen kan ikke styres med knapperne på højttaleren, når der afspilles via AUX-stikket.

## Brug af USB-hukommelsesenheder

### Vigtig:


1. Højttaleren er kun designet til at fungere med USB-flashhukommelsesenheder. Den er ikke beregnet til tilslutning af harddiskdrev eller nogen anden type USB-enhed.
2. Det er muligt at bruge SD- eller SDHC-kort til medieafspilning, hvis de sættes i en passende USB-adapter. På grund af den store variation af sådanne adaptere er det imidlertid ikke muligt at garantere, at alle adapter/kortkombinationer fungerer sammen med højttaleren.
3. Højttaleren er testet med en række USB-hukommelsesenheder med op til 32 GB kapacitet. Den understøtter USB 2.0 ved fuld hastighed og USB 3.0. (**Bemærk:** Når du bruger USB 3.0, skal du give højttaleren længere tid til at registrere enheden.)
4. USB-hukommelsen skal bruge FAT- eller FAT 32-arkiveringssystemet for at kunne fungere sammen med højttaleren, den understøtter ikke NTFS.
5. Til afspilning understøttes lydformaterne MP3, WMA og AAC. Afspilning understøtter ikke filer, der er indkodet ved hjælp af WMA lossless, WMA Voice, WMA 10 professional eller noget format, der har DRM-beskyttelse.

### ⚠ Advarsel:



1. For at minimere risikoen for beskadigelse af din højttaler og din USB-hukommelse skal højttaleren placeres således, at enheden ikke nemt kan rammes, mens den sidder i stikket.
2. Fjern USB-enheden før du flytter højttaleren, eller hvis du ikke bruger USB-funktionen i længere tid.

3. Sluk højttaleren, før du fjerner din USB-hukommelsesenhed.
4. USB-tilslutningen er kun beregnet til flashhukommelsesenheder. Brug af harddisklagremedier understøttes ikke.
5. Afspilning via USB-filer, der er gemt på MP3-afspillere kan ikke garanteres.
6. Store filer eller USB-enheder med høj hukommelseskapacitet tager længere tid at læse.

## Afspilning af filer fra USB-hukommelsesenheder

1. Åbn batteridækslet, og sæt USB-hukommelsesenheden i USB-porten, som er placeret i batterirummet. Luk batteridækslet.
2. Tryk på tænd-/sluk-knappen  for at tænde højttaleren og 'Reading' (Indlæsning) vises og blinker på LCD-displayet. Så overgår højttaleren til USB-tilstand og starter afspilning fra USB-hukommelsesenheden. Displayet viser mappe- og filnumre, f.eks. 'F001 T0001'. Højttaleren viser også rullende tekstbeskeder (f.eks. titel, kunstner, album osv.), når disse informationer er tilgængelige.

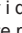



### Bemærk:

- a) Tekstkodningen understøtter kun UNICODE. Hvis USB-filerne indeholder anden tekstkodning end UNICODE, vises de rullende meddelelser med forvansket tekst.
  - b) Når USB-hukommelsesenheden er tilsluttet, vil højttaleren automatisk overgå til USB-tilstand. Du kan også trykke på kildeknappen for at vælge den ønskede tilstand, hvis det er nødvendigt.
3. For at sætte afspilningen på pause, skal man trykke på knappen Afspil/Pause . For at genoptage afspilningen skal du trykke på knappen Afspil/Pause  en gang til.



### Bemærk:

- a) Hvis du slukker for højttaleren, genoptages det sidste afspilningsspor, næste gang der tændes for højttaleren.
- b) Hvis du skifter til en anden tilstand mens der afspilles fra USB-hukommelsesenheden, sættes afspilningen på pause. Når du skifter til USB-tilstanden igen, genoptages afspilningen fra det punkt, hvor den blev standset.
- c) Det anbefales at man udelukkende lagrer musikfiler (MP3 / WMA / AAC) på USB-hukommelsesenheden. Hvis der er en mappe, der indeholder andre filer end musikfiler, vil højttaleren springe over denne fil/mappe og det fil/mappe-nummer der vises på displayet vil ikke være i rækkefølge.

## Valg af en fil

1. Mens USB-hukommelsesenheden afspilles, skal du enten trykke på knappen Næste nummer  eller Forrige nummer  for at skifte til den ønskede fil. Filnummeret opdateres på displayet. Hvis der er mere end én mappe, skal alle filer i den aktuelle mappe være blevet afspillet, og den næste mappe vil blive afspillet.
2. Tryk på knappen Næste nummer  eller Forrige nummer  og hold den inde for at spole frem/tilbage i det aktuelle nummer. Slip knappen, når det ønskede punkt i nummeret er nået.

## Skifte til en anden mappe

Når USB-hukommelsesenheden er i pause- eller afspilningstilstand, skal du trykke på knappen Næste mappe  eller Forrige mappe og slippe den igen . Den første fil i den næste eller forrige mappe afspilles.

### Bemærk:

Hvis din USB-enhed indeholder en mappe uden filer, vil enheden springe over mappen og afspille filerne i den næste mappe.

## Afspilningstilstand

Når du afspiller filer fra USB-hukommelsesenheden, skal du trykke på knappen Gentag/Tilfældig og slippe den igen for at vælge.

**Repeat 1:** afspil gentagne gange den fil, du lytter til.

**Repeat Folder:** afspil gentagne gange filerne i den mappe, du lytter til.

**Random:** filer på USB-enheden afspilles i tilfældig rækkefølge.

**Repeat All:** afspil gentagne gange mapperne på USB-enheden.

## VEDLIGEHOELDELSE

### ⚠ FORSIGTIG:

- Brug aldrig benzin, rensbenzin, fortynder, alkohol eller lignende. Det kan medføre misfarvning, deformation eller revner.

## Specifikation

Forstærker	
Udgangseffekt	10,8 V-12V maks: 3W 14.4V:6W 18V:10W
Frekvensområde	50Hz~20kHz
Aux In	
Indgangsfølsomhed	250mVrms @100Hz
Højttaler	
Hovedhøjttaler	101.6mm 8ohm 10W
Diskanthøjttaler	36mm 8ohm 10W

Bluetooth (Bluetooth®-ordmærket og logoerne er registrerede varemærker ejet af Bluetooth SIG, Inc.)	
Bluetooth version	4.0
Bluetooth-profil	A2DP SCMS-T AVRCP
Sendeeffekt	Effektklasse 2
Transmissionsrækkevidde	Maks. 10m (varierer alt efter brugsforholdene)
Understøttet codec	SBC
Kompatibel Bluetooth-profil	A2DP
Maksimal radiofrekvens-effekt	BT EDR: 3.88dBm BT LE: -1.4dBm
Driftsfrekvens	2402MHz~2480MHz

USB-afspilningsstik	
USB-standarder	USB3.0 / USB2.0
Kompatibelt filsystem	FAT 32/16/12
Lydformater der kan afspilles	MP3 / WMA / AAC
Maks. strømstyrke	500 mA (maks.)

Generelt	
Vekselstrømsadapter	DC ind 12V 1,5A, stikkets midte er positiv
Batteri	Batteri: 10,8 V-12V maks. 14,4 V 18 V
Dimensioner (B x H x D)	211 mm x 206 mm x 199 mm
Vægt	2,7 kg (uden batteri)

Firmaet forbeholder sig ret til at ændre specifikationerne uden varsel.

## Σύμβολα

Παρακάτω αναφέρονται σύμβολα που χρησιμοποιούνται για τον εξοπλισμό. Βεβαιωθείτε ότι κατανοείτε τη σημασία τους πριν από τη χρήση.



Διαβάστε το εγχειρίδιο οδηγιών.



Μόνο για τις χώρες της ΕΕ  
Μην πετάτε ηλεκτρικό εξοπλισμό ή μπαταρίες μαζί με τα οικιακά απορρίμματα!

Σε συμμόρφωση με τις Ευρωπαϊκές οδηγίες, σχετικά με τα απόβλητα ηλεκτρικού και ηλεκτρονικού εξοπλισμού και μπαταριών και συσσωρευτών και αποβλήτων μπαταριών και συσσωρευτών και την εφαρμογή τους σύμφωνα με τις εθνικές νομοθεσίες, ο ηλεκτρικός εξοπλισμός και οι μπαταρίες και οι συστοιχίες συσσωρευτών που έχουν φθάσει στο τέλος της ζωής τους πρέπει να συλλέγονται χωριστά και να επιστρέφονται σε Περιβαλλοντικά συμμορφούμενη εγκατάσταση ανακύκλωσης.

## ΣΗΜΑΝΤΙΚΕΣ ΟΔΗΓΙΕΣ ΑΣΦΑΛΕΙΑΣ

### ΠΡΟΕΙΔΟΠΟΙΗΣΗ:

Κατά τη χρήση ηλεκτρικών εργαλείων, πρέπει πάντοτε να ακολουθούνται τα βασικά μέτρα ασφαλείας για τη μείωση του κινδύνου πυρκαγιάς, ηλεκτροπληξίας και τραυματισμού, συμπεριλαμβανομένων των παρακάτω:

1. Διαβάστε αυτό το εγχειρίδιο οδηγιών και τις οδηγίες χρήσης του φορτιστή προσεκτικά πριν από τη χρήση.
2. Καθαρίστε μόνο με στεγνό πανί.
3. Μην τοποθετείτε τη συσκευή κοντά σε πηγές θερμότητας, όπως καλοριφέρ, θερμοσυσσωρευτές, σόμπες ή λοιπές συσκευές (ακόμη και ενισχυτές) που παράγουν θερμότητα.
4. Χρησιμοποιείτε μόνο εξαρτήματα/παρελκόμενα που καθορίζονται από τον κατασκευαστή..
5. Αποσυνδέστε τη συσκευή κατά τη διάρκεια καταγιγών ή όταν δεν χρησιμοποιείται για μεγάλο χρονικό διάστημα. Αποσυνδέστε τη συσκευή κατά τη διάρκεια καταγιγών ή όταν δεν χρησιμοποιείται για μεγάλο χρονικό διάστημα.
6. Ένα ηχείο που λειτουργεί με ενσωματωμένες μπαταρίες ή μια χωριστή μπαταρία πρέπει να φορτίζεται μόνο με το συγκεκριμένο φορτιστή για την μπαταρία. Ένας φορτιστής που μπορεί να είναι κατάλληλος για έναν τύπο μπαταρίας μπορεί να δημιουργήσει κίνδυνο πυρκαγιάς όταν χρησιμοποιείται με άλλο τύπο μπαταρίας.
7. Χρησιμοποιήστε το ηχείο μόνο με τις ειδικά καθορισμένες μπαταρίες. Η χρήση οποιωνδήποτε άλλων μπαταριών μπορεί να δημιουργήσει κίνδυνο πυρκαγιάς.
8. Όταν η μπαταρία δεν είναι σε χρήση, κρατήστε τη μακριά από άλλα μεταλλικά αντικείμενα, όπως: συνδετήρες, κέρματα, κλειδιά, καρφιά, βίδες ή άλλα μικρά μεταλλικά αντικείμενα που μπορεί να δημιουργήσουν μια σύνδεση από τον ένα ακροδέκτη στον άλλο. Το βραχυκύκλωμα των πόλων της μπαταρίας μπορεί να προκαλέσει σπινθήρες, εγκαύματα ή πυρκαγιά.

9. Αποφύγετε τη σωματική επαφή με γειωμένες επιφάνειες, όπως σωλήνες, καλοριφέρ, κουζίνες και ψυγεία. Υπάρχει αυξημένος κίνδυνος ηλεκτροπληξίας όταν το σώμα σας είναι γειωμένο.
10. Υπό καταχρηστικές συνθήκες, ενδέχεται να εκτοξευτεί υγρό από την μπαταρία. Αποφύγετε την επαφή. Εάν έρθετε τυχαία σε επαφή, ξεπλύνετε με νερό. Σε περίπτωση επαφής υγρών με τα μάτια, ζητήστε ιατρική βοήθεια. Το υγρό μπαταρίας μπορεί να προκαλέσει ερεθισμό ή εγκαύματα.
11. Μην χρησιμοποιείτε το πακέτο μπαταριών ή εργαλείο που έχει καταστραφεί ή τροποποιηθεί. Οι κατεστραμμένες ή τροποποιημένες μπαταρίες ενδέχεται να παρουσιάσουν απρόβλεπτη συμπεριφορά με αποτέλεσμα πυρκαγιά, έκρηξη ή κίνδυνο τραυματισμού.
12. Μην εκθέτετε ένα πακέτο μπαταριών ή εργαλείο σε φωτιά ή υπερβολική θερμοκρασία. Η έκθεση σε φωτιά ή θερμοκρασία άνω των 130 °C μπορεί να προκαλέσει έκρηξη.
13. Ακολουθήστε όλες τις οδηγίες φόρτισης και μην φορτίζετε το πακέτο μπαταριών ή το εργαλείο εκτός του εύρους θερμοκρασίας που καθορίζεται στις οδηγίες. Η λανθασμένη φόρτιση ή σε θερμοκρασίες εκτός του καθορισμένου εύρους μπορεί να καταστρέψει την μπαταρία και να αυξήσει τον κίνδυνο φωτιάς.
14. Το βύσμα κεντρικής τροφοδοσίας χρησιμοποιείται ως συσκευή αποσύνδεσης, και θα παραμείνει λειτουργική.
15. Μην χρησιμοποιείτε το προϊόν σε υψηλή ένταση για μεγάλο χρονικό διάστημα. Για να αποφύγετε βλάβες της ακοής, χρησιμοποιήστε το προϊόν σε μέτρια επίπεδα έντασης ήχου.
16. (Για προϊόντα με οθόνη LCD μόνο) Οι οθόνες LCD περιλαμβάνουν υγρό που μπορεί να προκαλέσει ερεθισμό και δηλητηρίαση. Εάν το υγρό εισχωρήσει στα μάτια, το στόμα ή το δέρμα, ξεπλύνετε με νερό και καλέστε γιατρό.
17. Μην εκθέτετε το προϊόν σε βροχή ή σε υγρές συνθήκες. Η διείσδυση νερού στο προϊόν θα αυξήσει τον κίνδυνο ηλεκτροπληξίας.
18. Το προϊόν αυτό δεν προορίζεται για χρήση από άτομα (συμπεριλαμβανομένων παιδιών) με μειωμένες σωματικές, αισθητηριακές ή διανοητικές ικανότητες ή έλλειψη εμπειρίας και γνώσης, εκτός εάν τους παρασχεθούν επίβλεψη ή οδηγίες σχετικά με τη χρήση του προϊόντος από άτομο υπεύθυνο για την ασφάλειά τους. Τα παιδιά θα πρέπει να επιβλέπονται για να βεβαιωθείτε ότι δεν παίζουν με το προϊόν. Αποθηκεύστε το προϊόν μακριά από παιδιά.

## ΦΥΛΑΞΤΕ ΑΥΤΕΣ ΤΙΣ ΟΔΗΓΙΕΣ

### ΕΙΔΙΚΟΙ ΚΑΝΟΝΕΣ ΑΣΦΑΛΕΙΑΣ

#### ΓΙΑ ΤΗΝ ΜΠΑΤΑΡΙΑ

1. Πριν χρησιμοποιήσετε την μπαταρία, διαβάστε όλες τις οδηγίες και τις ενδείξεις προφύλαξης (1) στο φορτιστή μπαταρίας, (2) τη μπαταρία, και (3) στο προϊόν που χρησιμοποιεί την μπαταρία.
2. Μην αποσυναρμολογείτε την μπαταρία.
3. Αν ο χρόνος λειτουργίας έχει γίνει υπερβολικά σύντομος, διακόψτε αμέσως τη λειτουργία. Καθώς αυτό μπορεί να οδηγήσει σε κίνδυνο υπερθέρμανσης, πιθανά εγκαύματα και ακόμη και μια έκρηξη.
4. Σε περίπτωση επαφής ηλεκτρολότητας με τα μάτια σας, ξεπλύνετε τα με καθαρό νερό και ζητήστε αμέσως

ιατρική βοήθεια. Η επαφή ηλεκτρολύτη με τα μάτια μπορεί να οδηγήσει σε απώλεια όρασης.

- Μην βραχυκυκλώνετε την μπαταρία:
  - (1) Μην αγγίζετε τους ακροδέκτες με αγώγιμα υλικά.
  - (2) Μην αποθηκεύετε την μπαταρία σε κιβώτιο με άλλα μεταλλικά αντικείμενα, όπως καρφιά, νομίσματα, κλπ.
  - (3) Μην εκθέτετε την μπαταρία σε νερό ή βροχή. Ένα βραχυκύκλωμα μπαταρίας μπορεί να προκαλέσει μεγάλη ροή ρεύματος, υπερθέρμανση, πιθανά εγκαύματα ή ακόμη και βλάβη.
- Μην αποθηκεύετε το εργαλείο και την μπαταρία σε μέρη όπου η θερμοκρασία μπορεί να φτάσει ή να ξεπεράσει τους 50°C (122°F).
- Μην καίτε την μπαταρία, ακόμη και εάν έχει σοβαρή ζημιά ή είναι εντελώς αποφορτισμένη. Η μπαταρία μπορεί να εκραγεί σφωπιά.
- Προσέχετε να μην ρίχνετε ή χηπάτε τη μπαταρία.
- Μην χρησιμοποιείτε μια μπαταρία που έχει υποστεί ζημιά.
- Προς αποφυγή κινδύνων, πρέπει να διαβάσετε το χειρίδιο των ανταλλακτικών μπαταριών πριν από τη χρήση. Και το μέγιστο ρεύμα αποφόρτισης της μπαταρίας πρέπει να είναι μεγαλύτερο ή ίσο με 8A.
- Οι περιεχόμενες μπαταρίες ιόντων λιθίου υπόκεινται στις απαιτήσεις της νομοθεσίας περί επικινδύνων εμπορευμάτων. Για τις εμπορικές μεταφορές, π.χ. από τρίτους, μεταφορείς, πρέπει να τηρούνται ειδικές απαιτήσεις στη συσκευασία και την επισήμανση. Για την προετοιμασία του αντικειμένου που μεταφέρεται, απαιτείται να συμβουλευτείτε εμπειρογνώμονα για επικίνδυνα υλικά. Παρακαλούμε επίσης να τηρείτε την ενδεχομένης λεπτομερέστερη εθνική νομοθεσία.
- Καλύψτε με ταινία ή απομονώστε τις ανοιχτές επαφές και συσκευάστε την μπαταρία με τέτοιο τρόπο ώστε να μην μπορεί να μετακινηθεί στη συσκευασία.
- Ακολουθήστε τους τοπικούς κανονισμούς σχετικά με τη διάθεση των μπαταριών.
- Χρησιμοποιείτε τις μπαταρίες μόνο με τα προϊόντα που ορίζει η Makita. Η τοποθέτηση των μπαταριών σε μη συμμορφούμενα προϊόντα ενδέχεται να προκαλέσει πυρκαγιά, τραυματισμό και βλάβη. Θα ακυρώσει επίσης την εγγύηση Makita για το εργαλείο Makita και τον φορτιστή.

#### **⚠ ΠΡΟΣΟΧΗ:**

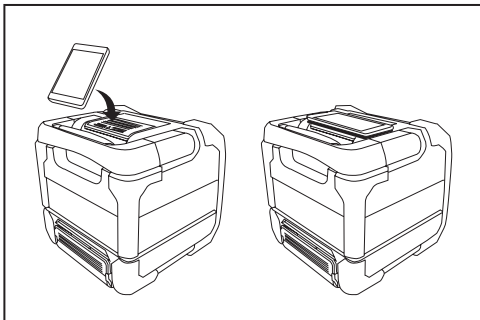
- Κίνδυνος έκρηξης αν η μπαταρία αντικατασταθεί εσφαλμένα.
- Αντικαταστήστε μόνο με τον ίδιο ή ισοδύναμο τύπο.
- Χρησιμοποιείτε μόνο γνήσιες μπαταρίες Makita. Η χρήση μπαταριών που δεν είναι γνήσιες Makita ή μπαταριών που έχουν αλλοιωθεί μπορεί να έχει ως αποτέλεσμα την έκρηξη της μπαταρίας με πρόκληση πυρκαγιάς, τραυματισμό και βλάβη. Θα ακυρώσει επίσης την εγγύηση Makita για το εργαλείο Makita και τον φορτιστή.

Συμβουλές για τη διατήρηση της μέγιστης ζωής της μπαταρίας

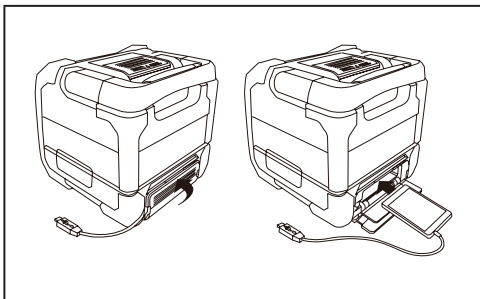
1. Φορτίστε την μπαταρία πριν αποφορτιστεί εντελώς. Πάντοτε να διακόπτετε τη λειτουργία του εργαλείου και να φορτίζετε την μπαταρία όταν παρατηρείται μειωμένη ισχύ του εργαλείου.
2. Ποτέ μην επαναφορτίζετε μια πλήρως φορτισμένη μπαταρία. Η υπερφόρτιση μειώνει τη διάρκεια ζωής της μπαταρίας.
3. Φορτίστε την μπαταρία σε θερμοκρασία περιβάλλοντος 10°C - 40°C (50°F - 104°F). Αν η μπαταρία είναι ζεστή αφήστε τη να κρυώσει πριν τη φορτίσετε.
4. Φορτίστε την μπαταρία εάν δεν τη χρησιμοποιείτε για μεγάλο χρονικό διάστημα (περισσότερο από έξι μήνες).

## Γενική περιγραφή (Εικ.1)

1. Θυρίδαθήκης μπαταριών
2. Θυρίδα τοποθέτησης κινητούτηλεφώνου



3. Κουμπί αύξησης έντασης ήχου
4. Κουμπί μείωσης έντασης ήχου
5. Κουμπί λειτουργίας αναπαγωγής
6. Κουμπί επόμενου φακέλου
7. Κουμπί επόμενου κομματιού/Κουμπί γρήγορης προώθησης
8. Οθόνη LCD
9. Κουμπί αναπαγωγής/παύσης
10. Κουμπί προηγούμενου κομματιού/Κουμπί επιστροφής
11. Κουμπί προηγούμενου φακέλου/Κουμπί αντιστοίχισης Bluetooth
12. Κουμπί πηγής
13. Κουμπί ενεργοποίησης
14. Ηχείο
15. Λαβή
16. Υποδοχή DC in
17. Βοηθητική υποδοχή εισόδου
18. Υποδοχή φόρτισης USB
19. Κάλυμμα χώρου φορητού μέσου αποθήκευσης
20. Τρύπα καλωδίου
21. Χώρος αποθήκευσης φορητής συσκευής (Κινητό τηλέφωνο)



22. 14.4 Ακροδέκτης μπαταρίας V/18V
23. 10.8 Ακροδέκτης μπαταρίας V-12Vmax
24. Υποδοχή αναπαγωγής USB
25. Κάλυμμα μπαταρίας
26. Κασέτα μπαταρίας
27. Κουμπί

## Ισχύς

Το ηχείο μπορεί να τροφοδοτείται από κασέτες μπαταριών Makita ή μια κοινή πρίζα.

## Ισχύς από την μπαταρία

Όταν στην οθόνη εμφανίζεται η ένδειξη "LOW BATTERY" (ΧΑΜΗΛΗ ΜΠΑΤΑΡΙΑ), αντικαταστήστε την μπαταρία. Ο παρακάτω πίνακας δείχνει το χρόνο λειτουργίας με μία μόνο φόρτιση.

Χωρητικότητα μπαταρίας	Τάση κασέτας μπαταρίας			ΣΕ ΕΞΟΔΟ ΗΧΟΥ = 100mW Μονάδα: Ωρα (περίπου)			
	10,8V-12Vmax	14,4V	18V	Αναπαραγωγή USB	Bluetooth	AUX IN	Αναπαραγωγή USB + Φόρτιση USB (2,1A)
1.3Ah		BL1415		3.5	5.5	5.5	1.0
			BL1815	4.0	6.0	6.0	1.2
1.5Ah	BL1015 BL1016			5.5	7.5	9.0	0.9
		BL1415N		5.0	7.0	7.0	1.3
			BL1815N	5.5	7.5	7.5	1.4
2.0Ah	BL1020B BL1021B			7.5	10	11	1.1
			BL1820(B)	7.0	10	10	1.9
3.0Ah		BL1430(B)		8.0	12	12	2.2
			BL1830(B)	10	14	14	2.7
4.0Ah	BL1040B BL1041B			14	20	23	2.2
		BL1440		13	19	19	3.5
			BL1840(B)	14	20	20	3.5
5.0Ah		BL1450		16	23	23	4.0
			BL1850(B)	18	26	26	4.5
6.0Ah		BL1460B		17	25	25	4.5
			BL1860B	22	32	32	5.5

**⚠ ΠΡΟΕΙΔΟΠΟΙΗΣΗ:** Χρησιμοποιείτε μόνο τις κασέτες μπαταρίας που αναφέρονται παραπάνω. Η χρήση οποιωνδήποτε άλλων κασετών μπαταρίας μπορεί να προκαλέσει τραυματισμό ή/και πυρκαγιά.

**Σημείωση:** Ο πίνακας σχετικά με τον χρόνο λειτουργίας της μπαταρίας παραπάνω είναι μόνο για αναφορά. Ο πραγματικός χρόνος λειτουργίας μπορεί να διαφέρει ανάλογα με τον τύπο της μπαταρίας, την κατάσταση φόρτισης ή το περιβάλλον χρήσης.

## Τοποθέτηση ή αφαίρεση συρόμενης κασέτας μπαταρίας (εικ. 3 και 4)

- Για να εγκαταστήσετε την κασέτα μπαταρίας, ευθυγραμμίστε την γλωττίδα στην κασέτα μπαταρίας με την εγκοπή στο περίβλημα και σύρετε τη στη θέση της. Πάντοτε να την τοποθετείτε σε όλη τη διαδρομή μέχρι να ασφαλίσει στη θέση της με ένα μικρό κλικ.
- Εάν μπορείτε να δείτε την κόκκινη ενδεικτική λυχνία στην άνω πλευρά του κουμπιού, η μπαταρία δεν είναι πλήρως ασφαλισμένη. Εγκαταστήστε τη πλήρως έως όπου σβήσει η κόκκινη ένδειξη. Διαφορετικά, η μπαταρία μπορεί να πέσει κατά λάθος από το εργαλείο και να

τραυματίσει εσάς ή κάποιον γύρω σας.

- Μην χρησιμοποιείτε δύναμη όταν τοποθετείτε την κασέτα μπαταρίας. Αν η μπαταρία δεν ολισθαίνει με ευκολία, δεν είναι τοποθετημένη σωστά.
- Για να αφαιρέσετε την κασέτα μπαταρίας, τραβήξτε την από το μηχανήμα ενώ πιέζετε το κουμπί στο μπροστινό μέρος της κασέτας.

### ΣΗΜΑΝΤΙΚΟ:

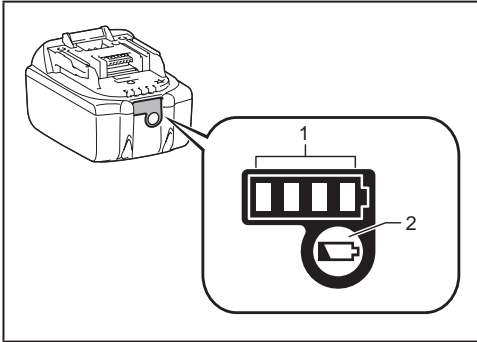
- Προσέξτε να μην πιάσετε τα δάχτυλά σας όταν κλείνετε το κάλυμμα της μπαταρίας.

### Σημείωση:

Όταν το ηχείο έχει χαμηλή στάθμη μπαταρίας, εμφανίζεται η ένδειξη «LOW BATTERY» και αναβοσβήνει στην οθόνη LCD.

## Ένδειξη της ενέργεια της μπαταρίας

Μόνο για κασέτες μπαταρίας με "B" στο τέλος του αριθμού μοντέλου



► 1. Ενδεικτικές λυχνίες 2. Κουμπί ελέγχου  
Πατήστε το πλήκτρο ελέγχου στην μπαταρία για να δείξει την υπολειπόμενη χωρητικότητα της μπαταρίας. Οι ενδεικτικές λυχνίες ανάβουν για λίγα δευτερόλεπτα.

### • Μπαταρίες 14,4V/18V

Ενδεικτικές λυχνίες			Εναπομένονσα χωρητικότητα
Αναμμένη	Ανενεργή	Αναβοσβήνει	
■	□	◐	75% ~ 100%
■	■	□	50% ~ 75%
■	■	□	25% ~ 50%
■	□	□	0% ~ 25%
◐	□	□	Φορτιστέτην μπαταρία
■	■	□	Πιθανή δυσλειτουργία μπαταρίας
□	□	■	

### • Μπαταρίες 10,8V-12V μέγ.

Ενδεικτικές λυχνίες			Εναπομένονσα χωρητικότητα
Αναμμένη	Ανενεργή	Αναβοσβήνει	
■	□	◐	75% ~ 100%
■	■	□	50% ~ 75%
■	■	□	25% ~ 50%



0% ~ 25%

**ΣΗΜΕΙΩΣΗ:** Ανάλογα με τις συνθήκες χρήσης και τη θερμοκρασία περιβάλλοντος, η ένδειξη ενδέχεται να διαφέρει ελαφρώς από την πραγματική χωρητικότητα.

## Χρήση του παρεχόμενου προσαρμογέα εναλλασσόμενου ρεύματος (Εικ. 5)

Αφαιρέστε το ελαστικό προστατευτικό και τοποθετήστε το βύσμα του προσαρμογέα στην υποδοχή συνεχούς ρεύματος στη δεξιά πλευρά του ηχείου. Συνδέστε τον προσαρμογέα σε μια κοινή πρίζα. Κάθε φορά που χρησιμοποιείται ο προσαρμογέας, η μπαταρία αποσυνδέεται αυτόματα. Ο μετασχηματιστής εναλλασσόμενου ρεύματος θα πρέπει να αποσυνδεθεί από την κύρια παροχή, όταν δεν είναι σε χρήση.

### ΣΗΜΑΝΤΙΚΟ :

- Ο προσαρμογέας δικτύου χρησιμοποιείται ως μέσο σύνδεσης του ηχείου με την παροχή ρεύματος. Η πρίζα που χρησιμοποιείται για το ηχείο πρέπει να παραμείνει προσβάσιμη κατά τη συνήθη χρήση. Για να αποσυνδέσετε πλήρως το ηχείο από το δίκτυο, ο προσαρμογέας δικτύου θα πρέπει να αφαιρεθεί εντελώς από την πρίζα.
- Χρησιμοποιήστε το τροφοδοτικό εναλλασσόμενου ρεύματος που παρέχεται μαζί με το προϊόν ή που ορίζεται μόνο από τη Makita.
- Μην κρατάτε το καλώδιο τροφοδοσίας και το βύσμα με το στόμα σας. Κάτι τέτοιο μπορεί να προκαλέσει ηλεκτροπληξία.
- Μην αγγίζετε το βύσμα με βρεγμένα ή λιπαρά χέρια.
- Εάν το καλώδιο είναι κατεστραμμένο, αντικαταστήστε το από το εξουσιοδοτημένο κέντρο σέρβις μας, προκειμένου να αποφύγετε κίνδυνο για την ασφάλεια. Μην το χρησιμοποιείτε πριν από την επισκευή.
- Μετά τη χρήση, να αποθηκεύετε πάντοτε το τροφοδοτικό εναλλασσόμενου ρεύματος μακριά από παιδιά. Εάν τα παιδιά παίζουν με το καλώδιο, μπορεί να τραυματιστούν.

## Πρίζα USB

Αυτή η υποδοχή μπορεί να χρησιμοποιηθεί για να φορτίσει ένα κινητό τηλέφωνο ή οποιαδήποτε άλλη συσκευή που χρησιμοποιεί λιγότερα από 2.1A συνεχούς ρεύματος. Η φόρτιση θα πραγματοποιηθεί μόνο όταν το ηχείο είναι ενεργοποιημένο.

**Σημείωση:** Βεβαιωθείτε ότι η προδιαγραφή της εξωτερικής συσκευής σας, όπως το κινητό τηλέφωνο, συσκευή mp3 ή το iPod είναι συμβατή με το ηχείο. Παρακαλούμε διαβάστε το εγχειρίδιο οδηγιών της εξωτερικής συσκευής σας πριν από τη φόρτιση.

### ΣΗΜΑΝΤΙΚΟ:


- Πριν από τη σύνδεση της συσκευής USB στο φορτιστή, βεβαιωθείτε ότι έχετε πάντα αντίγραφο ασφαλείας των δεδομένων της συσκευής σας USB. Διαφορετικά, τα δεδομένα σας μπορεί να χαθούν για πολλούς λόγους.
- Ο φορτιστής μπορεί να μην τροφοδοτεί με ρεύμα ορισμένες συσκευές USB.
- Όταν δεν χρησιμοποιείτε ή μετά τη φόρτιση, αφαιρέστε

- το καλώδιο USB και κλείστε το κάλυμμα.
- Μην συνδέετε την πηγή τροφοδοσίας στη θύρα USB. Διαφορετικά υπάρχει κίνδυνος πυρκαγιάς. Η θύρα USB προορίζεται μόνο για τη φόρτιση συσκευών χαμηλότερης τάσης. Να τοποθετείτε πάντα το κάλυμμα πάνω στη θύρα USB όταν δεν φορτίζει μια συσκευή χαμηλότερης τάσης.
- Μην τοποθετείτε καρφιά, σύρματα, ένα βραχυκύκλωμα τροφοδοσίας USB. Διαφορετικά, ένα βραχυκύκλωμα μπορεί να προκαλέσει καπνό και φωτιά.
- Μην συνδέσετε αυτή την υποδοχή USB με θύρα USB στον υπολογιστή σας, καθώς είναι πολύ πιθανό ότι μπορεί να προκαλέσει βλάβη των μονάδων.

## Σύζευξη και σύνδεση συσκευής με το ηχείο

Πρέπει να αντιστοιχίσετε τη συσκευή Bluetooth με το ηχείο, για να μπορέσετε να το συνδέσετε αυτόματα για αναπαραγωγή/ροή μουσικής Bluetooth μέσω του ηχείου. Η αντιστοίχιση δημιουργεί έναν δεσμό έτσι ώστε οι δύο συσκευές να μπορούν να αναγνωρίσουν η μια την άλλη. Για να έχετε την καλύτερη ποιότητα ήχου, σας συνιστούμε να ρυθμίσετε την ένταση του ήχου σε επίπεδο πάνω από τα δύο τρίτα στη συσκευή Bluetooth και, στη συνέχεια, να ρυθμίσετε την ένταση ήχου στο ηχείο, όπως χρειάζεται.

## Σύζευξη και αναπαραγωγή της συσκευής σας Bluetooth για πρώτη φορά

1. Πατήστε το κουμπί τροφοδοσίας  για να ενεργοποιήσετε το ηχείο και το "BT PAIR" θα εμφανιστεί στην οθόνη για να δείξει ότι το ηχείο είναι εντοπισμένο.
2. Ενεργοποιήστε τη σύνδεση Bluetooth στη συσκευή σας, σύμφωνα με το εγχειρίδιο χρήσης της συσκευής ή στη σύνδεση με το ηχείο. Εντοπίστε τη λίστα συσκευών Bluetooth και επιλέξτε τη συσκευή που ονομάζεται «DMR202». Σε κάποια κινητά (τα οποία είναι εξοπλισμένα με εκδόσεις παλαιότερες από το BT2.1 Bluetooth), μπορεί να χρειαστεί να εισάγετε τον κωδικό πρόσβασης "0000".
3. Αφού συνδεθείτε, θα ακουστεί ένας ήχος μπιπ και η οθόνη θα εμφανίσει το μήνυμα "BT CONNECT". Μπορείτε απλά να επιλέξετε και να αναπαράγετε οποιοδήποτε μουσική από τη συσκευή πηγής. Ο έλεγχος έντασης ήχου μπορεί να ρυθμιστεί από τη συσκευή πηγής ή απευθείας από το ηχείο.
4. Χρησιμοποιήστε τα χειριστήρια στην συσκευή σας Bluetooth ή στο ηχείο για αναπαραγωγή/παύση και πλοήγηση κομματιών.

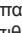





### Σημείωση:

1. Αν 2 συσκευές Bluetooth, που επιχειρούν σύζευξη για πρώτη φορά, αναζητούν αμοιρές τοχείσσας, θα εμφανιστεί ως διαθέσιμο και στις δύο συσκευές. Ωστόσο, αν μια συσκευή Bluetooth συνδεθεί με το ηχείο πρώτα, τότε το ηχείο δεν θα εμφανίζεται πλέον στον κατάλογο της άλλης συσκευής Bluetooth.
2. Εάν η συσκευή σας Bluetooth έχει απασυνδεθεί προσωρινά από το ηχείο σας, τότε θα πρέπει για να επανασυνδέσετε χειροκίνητα τη συσκευή σας στο ηχείο.
3. Αν το "DMR202" εμφανίζεται στη λίστα συσκευών σας Bluetooth, αλλά η συσκευή σας δεν μπορεί να συνδεθεί με αυτό, παρακαλούμε να διαγράψετε το στοιχείο από

- τη λίστα σας και να συνδέσετε και πάλι τη συσκευή με το ηχείο, ακολουθώντας τα βήματα που περιγράφονται προηγουμένως.
4. Το αποτελεσματικό εύρος λειτουργίας μεταξύ του συστήματος και της συζευγμένης συσκευής είναι περίπου 10 μέτρα (30 πόδια). Κάθε εμπόδιο μεταξύ του συστήματος και της συσκευής μπορεί να μειώσει το εύρος λειτουργίας.
5. Η απόδοση της συνδεσιμότητας Bluetooth μπορεί να διαφέρει ανάλογα με τις συνδεόμενες συσκευές Bluetooth. Παρακαλούμε να ανατρέξετε στις δυνατότητες Bluetooth της συσκευής σας πριν από τη σύνδεση με το ηχείο σας. Μπορεί να μην υποστηρίζονται όλες οι λειτουργίες σε ορισμένες συσκευές Bluetooth.

## Αναπαραγωγή αρχείων ήχου στη λειτουργία Bluetooth

Όταν έχετε συνδέσει με επιτυχία τα ηχεία σας με την επιλεγμένη συσκευή Bluetooth, μπορείτε να αρχίσετε να παίξετε τη μουσική σας χρησιμοποιώντας τα χειριστήρια της συνδεόμενης συσκευής σας Bluetooth.

1. Μόλις αρχίσει η αναπαραγωγή προσαρμόστε την ένταση ήχου στην επιθυμητή ρύθμιση χρησιμοποιώντας τα πλήκτρα έντασης  του ήχου στο ηχείο σας ή στη συσκευή με δυνατότητα Bluetooth.
2. Όταν πατήσετε το κουμπί αύξησης/μείωσης της έντασης ένδειξη της έντασης θα αναβοβλινέει γρήγορα σε κόκκινο χρώμα. Εάν η ενδεικτική λυχνία παραμένει σταθερά αναμμένη σε κόκκινο χρώμα, αυτό υποδηλώνει ότι η ένταση είναι στη μέγιστη ή ελάχιστη τιμή της.
3. Χρησιμοποιήστε τα χειριστήρια στη συσκευή σας για αναπαραγωγή/παύση και πλοήγηση κομματιών. Εναλλακτικά, ελέγξτε την αναπαραγωγή χρησιμοποιώντας τα κουμπιά Αναπαραγωγή/Παύση , Επόμενο κομμάτι , Προηγούμενο κομμάτι  από το ηχείο.
4. Πατήστε και κρατήστε πατημένο το κουμπί Επόμενο κομμάτι  ή Προηγούμενο κομμάτι  για γρήγορη κίνηση προς τα εμπρός/πίσω στο τρέχον κομμάτι. Αφήστε το κουμπί όταν φτάσετε στο επιθυμητό σημείο του κομματιού.

### Σημείωση:


1. Είναι πιθανό ότι ορισμένες εφαρμογές ή συσκευές αναπαραγωγής μπορεί να μην ανταποκρίνονται σε όλες τις επιλογές ελέγχου.
2. Ορισμένα κινητά τηλέφωνα μπορεί να απασυνδεθούν προσωρινά από το ηχείο σας όταν πραγματοποιείτε ή να λαμβάνετε κλήσεις. Ορισμένες συσκευές μπορεί να σιγάσουν προσωρινά την αναπαραγωγή ήχου συνεχούς ροής Bluetooth όταν λαμβάνουν μηνύματα κειμένου, e-mail ή για άλλους λόγους που δεν σχετίζονται με την αναπαραγωγή ήχου συνεχούς ροής. Μια τέτοια ενέργεια είναι συνάρτηση της συνδεόμενης συσκευής και δεν αποτελεί ένδειξη βλάβης του ηχείου σας.
3. Η οθόνη δεν εμφανίζει πληροφορίες όπως τίτλο, καλλιτέχνη, άλμπουμ κ.λπ. κατά την αναπαραγωγή σε λειτουργία Bluetooth.
4. Η λειτουργία αναπαραγωγής (Επανάληψη/ Τυχαία) δεν μπορεί να χρησιμοποιηθεί στη λειτουργία Bluetooth.



## Μνήμη ηχείου και επανασύνδεση μιας συσκευής

Το ηχείο σας μπορεί να απομνημονεύσει μέχρι και 8 σετ συζευγμένων συσκευών, όταν η μνήμη υπερβεί τον ποσό αυτό, η παλαιότερη ιστορία αντιστοίχισης θα αντικατασταθεί. Εάν η συσκευή σας Bluetooth έχει ήδη συνδεθεί με το ηχείο προηγούμενως, η μονάδα θα απομνημονεύσει τη συσκευή σας Bluetooth και θα επιχειρήσει να επανασυνδεθεί με μια συσκευή στη μνήμη με την οποία συνδεθήκατε την τελευταία φορά. Αν η τελευταία συνδεδεμένη συσκευή δεν είναι διαθέσιμη, το ηχείο θα είναι ανιχνεύσιμο.

## Αποσύνδεση της συσκευής σας Bluetooth

Πατήστε και κρατήστε πατημένο το κουμπί σύζευξης Bluetooth  για 2-3 δευτερόλεπτα για να αποσυνδέσετε τη συσκευή σας Bluetooth. Η ένδειξη Bluetooth αναβοσβήνει σε μπλε χρώμα υποδεικνύοντας ότι το ηχείο είναι και πάλι εντοπίσιμο για σύζευξη.

## Αναπαραγωγή μουσικής μέσω βοηθητικής υποδοχής εισόδου

Μια βοηθητική υποδοχή εισόδου 3.5mm παρέχεται στη δεξιά πλευρά της μονάδας ώστε να επιτρέπει την τροφοδοσία ήχου σήματος στη μονάδα από συσκευές που διαθέτουν ακουστικά ή έξοδο ήχου, όπως ένα iPod, MP3 ή CDplayer.

1. Συνδέστε μια πηγή στερεοφωνικού ή μονοφωνικού ήχου (για παράδειγμα, το iPod, MP3 ή CDplayer) με την βοηθητική υποδοχή εισόδου (με την ένδειξη 'AUX') και η ένδειξη βοηθητικής υποδοχής εισόδου ανάβει πράσινη υποδεικνύοντας ότι το ηχείο είναι σε λειτουργία βοηθητικής εισόδου.
2. Προσαρμόστε την ένταση ήχου στο iPod, MP3 ή CDplayer για την εξασφάλιση επαρκούς σήματος και, στη συνέχεια, προσαρμόστε την ένταση ήχου στο ηχείο για άνετη ακρόαση.
3. Για να έχετε την καλύτερη ποιότητα ήχου, σας συνιστούμε να ρυθμίσετε την ένταση του ήχου σε επίπεδο πάνω από τα δύο τρίτα στη συσκευή ήχου και, στη συνέχεια, να ρυθμίσετε την ένταση ήχου στο ηχείο, όπως χρειάζεται.

### Σημείωση:

1. Όταν η υποδοχή Aux in είναι συνδεδεμένη με μια συσκευή ήχου, το ηχείο θα αλλάξει από τη λειτουργία Bluetooth σε λειτουργία βοηθητικής εισόδου. Μπορείτε επίσης να πατήσετε το κουμπί πηγής για να επιλέξετε την επιθυμητή λειτουργία.
2. Η οθόνη δεν εμφανίζει πληροφορίες όπως τον τίτλο, καλλιτέχνη, άλμπουμ κ.λπ., κατά την αναπαραγωγή μέσω βοηθητικής υποδοχής εισόδου.
3. Η λειτουργία αναπαραγωγής ή πλέιμπακ δεν μπορεί να ελεγχθεί μετά κουμπί στο ηχείο, κατά την αναπαραγωγή μέσω της βοηθητικής υποδοχής εισόδου.

## Χρήση συσκευών μνήμης USB

### Σημαντικό:

1. Το ηχείο σας έχει σχεδιαστεί για να λειτουργεί μόνο με συσκευές μνήμης flash USB. Δεν προορίζεται να


συνδεθεί με μονάδες σκληρού δίσκου ή με οποιοδήποτε άλλον τύπο συσκευής USB.

2. Μπορείτε να χρησιμοποιήσετε κάρτες SD ή SDHC για αναπαραγωγή μέσων όταν βρίσκονται σε κατάλληλο προσαρμογέα USB. Ωστόσο, λόγω της μεγάλης ποικιλίας των προσαρμογέων αυτών, δεν είναι δυνατόν να διασφαλιστεί ότι όλοι οι συνδυασμοί προσαρμογέων/καρτών θα λειτουργούν με το ηχείο.
3. Το ηχείο έχει δοκιμαστεί με μια σειρά συσκευών μνήμης USB χωρητικότητας μέχρι 32GB. Υποστηρίζει πλήρη ταχύτητα USB 2.0 και USB 3.0 (Σημείωση: όταν χρησιμοποιείτε το USB 3.0, αφήστε το ηχείο να ανιχνεύσει τη συσκευή για μεγαλύτερο χρονικό διάστημα.)
4. Η μνήμη USB πρέπει να χρησιμοποιεί το σύστημα αρχείων FAT ή FAT 32 για να λειτουργεί με το ηχείο, δεν υποστηρίζει NTFS.
5. Οι μορφές ήχου που υποστηρίζονται για αναπαραγωγή είναι MP3, WMA και AAC. Η αναπαραγωγή δεν υποστηρίζει αρχεία που κωδικοποιούνται με χρήση WMA Voice, WMA 10 professional ούτε αρχεία οποιασδήποτε μορφής που έχουν προστασία DRM.

### ⚠ Προφυλάξεις:

1. Για να ελαχιστοποιήσετε τον κίνδυνο ζημιάς στο ηχείο σας, τη μνήμη USB, τοποθετήστε το ηχείο έτσι ώστε η συσκευή να μην μπορεί εύκολα να χτυπηθεί ενώ είναι στην πρίζα.
2. Αφαιρέστε το USB πριν μεταφέρετε το ηχείο ή εάν δεν χρησιμοποιείτε τη λειτουργία USB για μεγάλο χρονικό διάστημα.
3. Απενεργοποιήστε το ηχείο πριν αφαιρέσετε τη συσκευή μνήμης USB.
4. Η σύνδεση USB προορίζεται μόνο για συσκευές μνήμης flash. Η χρήση μέσω αποθήκευσης σκληρού δίσκου δεν υποστηρίζεται.
5. Η αναπαραγωγή μέσω αρχείων USB που είναι αποθηκευμένα σε συσκευές αναπαραγωγής MP3 δεν είναι εγγυημένη.
6. Μεγάλο μέγεθος αρχείου ή συσκευή USB μεγάλης μνήμης χρειάζεται περισσότερο χρόνο για ανάγνωση.

## Αναπαραγωγή αρχείων από συσκευές μνήμης USB

1. Ανοίξτε το κάλυμμα της μπαταρίας και τοποθετήστε τη συσκευή μνήμης USB στην υποδοχή USB που βρίσκεται στη θήκη της μπαταρίας. Κλείστε το κάλυμμα της μπαταρίας.
2. Πατήστε το κουμπί τροφοδοσίας  για να ενεργοποιήσετε το ηχείο και η ένδειξη 'Ανάγνωση' θα εμφανιστεί και θα αναβοσβήνει στην οθόνη LCD. Στη συνέχεια, το ηχείο θα μπει στη λειτουργία USB και θα αρχίσει να αναπαράγει από τη συσκευή μνήμης USB. Στην οθόνη εμφανίζονται οι αριθμοί φακέλων και αρχείων, π.χ. "F001 T0001". Το ηχείο εμφανίζει επίσης τα κυλιόμενα μηνύματα κειμένου (όπως τίτλος, καλλιτέχνης, άλμπουμ κ.λπ.) όταν υπάρχουν διαθέσιμες πληροφορίες.

### Σημείωση:

- a) Η κωδικοποίηση κειμένου υποστηρίζει μόνο το UNICODE, εάν τα αρχεία USB περιέχουν κωδικοποίηση κειμένου διαφορετική από την UNICODE, τα μηνύματα κύλισης εμφανίζονται ως αλλοιωμένα κείμενα.
- b) Αφού συνδεθεί η συσκευή μνήμης USB, το ηχείο μπαίνει αυτόματα σε λειτουργία USB. Μπορείτε επίσης να πατήσετε το κουμπί πηγής για να επιλέξετε την επιθυμητή λειτουργία εάν χρειάζεται.

3. Για παύση της αναπαραγωγής, πατήστε το κουμπί Αναπαραγωγή/Παύση ►||. Για να συνεχίσετε την αναπαραγωγή, πατήστε ξανά το κουμπί Αναπαραγωγή/Παύση ►||.

#### Σημείωση:

- a) Αν απενεργοποιήσετε το ηχείο, την επόμενη φορά που θα ανάψει το ηχείο, θα συνεχίσει στο τελευταίο κομμάτι της αναπαραγωγής.
- b) Εάν αλλάξετε σε άλλη λειτουργία κατά την αναπαραγωγή από τη συσκευή μνήμης USB, η αναπαραγωγή θα διακοπεί. Όταν αλλάξετε ξανά στη λειτουργία USB, η αναπαραγωγή θα συνεχιστεί από το σημείο όπου σταμάτησε.
- c) Συνιστάται να αποθηκεύετε μόνο αρχεία μουσικής (MP3/WMA/AAC) στη συσκευή μνήμης USB. Αν υπάρχει ένας φακέλος που περιέχει αρχεία διαφορετικά από αρχεία μουσικής, το ηχείο σας θα παραλείψει αυτό το αρχείο/φάκελο και αριθμός αρχείου/φακέλου που θα εμφανίζεται στην οθόνη δεν θα είναι με τη σειρά.

### Επιλογή αρχείου

1. Ενώ η συσκευή μνήμης USB αναπαράγει, πατήστε είτε το κουμπί Επόμενο κομμάτι ►► ή το κουμπί Προηγούμενο κομμάτι ◀◀ για να αλλάξετε στο επιθυμητό αρχείο. Ο αριθμός αρχείου ενημερώνεται στην οθόνη. Εάν υπάρχουν περισσότεροι φάκελοι, όλα τα αρχεία του τρέχοντος φακέλου θα έπρεπε να έχουν αναπαραχθεί και θα αναπαραχθεί ο επόμενος φάκελος.
2. Πατήστε παρατεταμένα το κουμπί Επόμενο κομμάτι ►► ή το κουμπί Προηγούμενο κομμάτι ◀◀ για να προχωρήσετε γρήγορα/Γυρίσετε προς τα πίσω το τρέχον κομμάτι. Αφήστε το κουμπί όταν φτάσετε στο επιθυμητό σημείο στο κομμάτι.

### Για να μεταβείτε σε άλλο φάκελο

Αν η συσκευή μνήμης USB βρίσκεται σε λειτουργία παύσης ή αναπαραγωγής, πατήστε και αφήστε το κουμπί Επόμενος φάκελος ►■ ή το κουμπί Προηγούμενος φάκελος ◀■ να αναπαραχθεί το πρώτο αρχείο του επόμενου ή του προηγούμενου φακέλου ◀■.

#### Note:

Εάν το USB σας περιέχει φάκελο χωρίς αρχεία, η συσκευή θα παραλείψει τον φάκελο και θα αναπαράγει τα αρχεία στον επόμενο φάκελο.

### Λειτουργία αναπαραγωγής

Κατά την αναπαραγωγή των αρχείων στη συσκευή μνήμης USB, πατήστε και αφήστε το κουμπί Επανάληψη/Τυχαία για να επιλέξετε.

**Repeat 1:** αναπαραγάγετε επανειλημμένα το αρχείο που ακούτε.

**Repeat Folder:** Αναπαραγάγετε επανειλημμένα τα αρχεία στον φάκελο που ακούτε.

**Random:** θα αναπαραχθούν τυχαία αρχεία στο USB.

**Repeat All:** επανάληψη αναπαραγωγής των φακέλων στο USB.

### ΣΥΝΤΗΡΗΣΗ

#### ⚠ ΠΡΟΣΟΧΗ:

- Ποτέ μη χρησιμοποιείτε βενζίνη, διαλυτικά, οινόπνευμα ή παρόμοια υλικά. Μπορεί να προκαλέσουν αποχρωματισμό, παραμόρφωση ή ρωγμές.

### Προδιαγραφές

Εισχυτής	
Ισχύς εξόδου	10,8V-12Vμέγ:3W 14.4V:6W 18V:10W
Απόκριση συχνότητας	50Hz~20kHz
Βοηθητική υποδοχή εισόδου	
Ευαισθησία εισόδου	250mVrms @100Hz
Ηχείο	
Κεντρικό ηχείο	101.6mm 8ohm 10W
Ηχείο τούιτερ	36mm 8ohm 10W

Bluetooth (Το λεκτικό σήμα και τα λογότυπα Bluetooth® είναι σήματα κατατεθέντα της Bluetooth SIG, Inc.)	
Έκδοση Bluetooth	4.0
προφίλ Bluetooth	A2DP SCMS-T AVRCP
Ισχύμετάδοση	Κατηγορία ισχύος 2
Εμβέλεια εκπομπής	Μέγ. 10μ (ποικίλλει ανάλογα με τις συνθήκες χρήσης)
Υποστηριζόμενος κωδικοποιητής	SBC
Συμβατό προφίλ Bluetooth	A2DP
Μέγιστη ισχύς ραδιοσυχνότητας	BT EDR: 3.88dBm BT LE: -1.4dBm
Λειτουργική συχνότητα	2402MHz~2480MHz

Υποδοχή αναπαραγωγής USB	
Πρότυπα USB	USB3.0 / USB2.0
Συμβατό σύστημα αρχείων	FAT 32/16/12
Αναπαραγωγή μορφής ήχου	MP3 / WMA / AAC
Μέγ. Ρεύμα	500 mA (Max)

Γενικός	
μετασηματιστής AC	DC in 12V 1,5A, κεντρική ακίδα θετικό
Μπαταρία	Συρόμενη μπαταρία: 10.8 V-12Vmax 14.4 V 18 V
Διαστάσεις (Π x Υ x Β)	211 mm x 206 mm x 199 mm
Βάρος	2,7KG (χωρίς μπαταρία)

Η εταιρεία διατηρεί το δικαίωμα να τροποποιήσει τις προδιαγραφές χωρίς προειδοποίηση.

## TÜRKÇE

### Semboller

Aşağıdakiler ekipman için kullanılan sembeleri göstermektedir. Kullanmadan önce anlamlarını anladığınızdan emin olun.



Kullanma kılavuzunu okuyun.



Yalnızca AB ülkeleri için Elektrikli ekipmanı veya pil takımını ev atık malzemeleriyle birlikte çöpe atmayın! Elektrikli ve Elektronik Ekipmanların ve Piller ve Akümülatörlerin ve Atık Pillerin ve Akümülatörlerin Çöpe Atılmasında Avrupa Direktiflerinin yerine getirilmesi ve Avrupa Direktiflerinin ulusal kanunlara uygun olarak ömrünün sonuna gelmiş elektrikli ekipmanlar ve piller ile pil takımlarının ayrı olarak toplanması ve çevreye uyumlu bir geri dönüşüm tesisine iade edilmesinde uygulanması.

## ÖNEMLİ GÜVENLİK TALİMATLARI

### ⚠ UYARI:

Elektrikli aletler kullanılırken, yangın, elektrik çarpması, aşağıdakiler de dahil olmak üzere kişisel yaralanma risklerinin azaltılması için temel güvenlik önlemlerine sürekli uyulmalıdır:

1. Kullanmadan önce bu kullanma kılavuzu ile şarj cihazı kullanma kılavuzunu dikkatle okuyun.
2. Yalnızca kuru bezle temizleyin.
3. Radyatörler, kalorifer ızgaraları, soba veya ısı üreten diğer cihazlar (amplifikatörler de dahil) gibi herhangi bir ısı kaynağının yakınına kurmayın.
4. Yalnızca üretici tarafından belirtilen eklentileri/aksesuarları kullanın.
5. Şimşekli fırtınalar sırasında veya çok uzun bir süre boyunca kullanılmadığında bu cihazı fişten çıkarın.
6. İçinde bulunan pillerle veya ayrı bir pil takımıyla çalışan bir hoparlör, ancak ilgili pile ait özel şarj cihazı ile şarj edilmelidir. Herhangi bir pil türü için uygun olan bir şarj cihazı, başka bir pille kullanıldığında yangın riski oluşturabilir.
7. Pille çalışan hoparlörü özel olarak tasarlanmış pil takımlarıyla birlikte kullanın. Başka pillerin kullanımı yangın riski oluşturabilir.
8. Pil takımı kullanımda değilken pil takımını; kağıt atıcı, bozuk para, anahtar, çivi, cıvata veya diğer küçük metal nesnelere gibi bir kutuptan diğerine bağlantı yapabilecek diğer metal nesnelere uzak tutun. Pil kutuplarının bir arada kısa devre yaptırılması kıvılcım, yanık veya yangına neden olabilir.
9. Boru, radyatör, ocak ve buzdolabı gibi topraklanmış yüzeylerle vücut temasından kaçının. Vücudunuzun toprakla temas etmesi halinde yüksek derece elektrik çarpması riski bulunmaktadır.
10. Kötü koşullar altında pilden sıvı boşalabilir; temas etmekten kaçının. Kaza ile temasta bulunulması durumunda su ile yıkayın. Sıvının gözle temas etmesi halinde tıbbi yardıma başvurun. Pilden çıkan sıvı tahrişe veya yanmaya neden olabilir.
11. Bozuk veya değiştirilmiş pil takımı veya araçlar

kullanmayın. Bozuk veya değiştirilmiş piller; yangın, patlama veya yaralanma riskiyle sonuçlanabilecek davranışlar sergileyebilirsiniz.

12. Pil takımını veya aracı ateşe ya da aşırı sıcaklığa maruz bırakmayın. Ateşe veya 130°C derecenin üzerinde sıcaklığa maruz kalması patlamaya neden olabilir.
13. Tüm şarj talimatlarını izleyin ve pil takımı ya da aracı talimatlarda belirtilen sıcaklık aralıklarının dışında şarj etmeyin. Uygun olmayan koşullarda veya belirtilen sıcaklık aralıklarının dışında şarj etmek pile zarar verebilir ve yangın riskini artırabilir.
14. Cihazın bağlantısının kesilmesi için ANA ŞEBEKE fişi kullanılır ve cihaz kolayca çalışır durumda kalır.
15. Ürünü hiç bir zaman uzun süre boyunca yüksek sese kullanmayın. Herhangi bir duyma bozukluğundan kaçınmak için ürünü orta ses seviyesinde kullanın.
16. (Yalnızca LCD ekranlı ürünler için) LCD ekranlar, tahriş ve zehirlenmeye neden olabilecek sıvı içermektedir. Sıvı maddelerin gözler, ağız veya ciltle temas etmesi durumunda suyla yıkayın ve bir doktor çağırın.
17. Ürünün yağmur veya ıslak koşullara maruz kalmasına izin vermeyin. Ürüne giren su elektrik çarpması riskini artırır.
18. Bu ürün, kendilerine güvenliklerinden sorumlu bir kişi tarafından ürünün kullanımına ilişkin olarak gözetim ve talimatlar verilmediği sürece, fiziksel, duysal veya zihinsel kabiliyetleri sınırlı veya deneyimsiz ve bilgisi olmayan kişilerin (çocuklar da dahil) kullanımı amaçlı değildir. Çocukların ürünü oynamadıklarından emin olunması için kontrol edilmesi gerekmektedir. Ürünü çocukların ulaşamayacağı bir yerde muhafaza edin.

## BU TALİMATLARI KAYDEDİN

## ÖZEL GÜVENLİK KURALLARI

### PİL KARTUŞU İÇİN

1. Pil kartuşu kullanmadan önce (1) pil şarj cihazı, (2) pil ve (3) pil kullanılan ürün üzerinde bulunan tüm talimatları ve uyarı işaretlerini okuyun.
2. Pil kartuşunu sökme.
3. Çalışma süresinin aşırı kısa olması durumunda, hemen çalışmayı durdurun. Bu durum aşırı ısınma, olası yanıklar ve hatta patlama riskine neden olabilir.
4. Gözlerinizi elektrolit kaçması durumunda, temiz su ile gözlerinizi yıkayın ve derhal tıbbi yardıma başvurun. Aksi takdirde görme kaybı yaşayabilirsiniz.
5. Pil kartuşuna kısa devre yaptırmayın:
  - (1) Kutuplara herhangi bir iletken malzeme ile dokunmayın.
  - (2) Pil kartuşunu; çivi, bozuk para vb. gibi diğer metal nesnelere birlikte aynı kutuda bulundurmaktan kaçının.
  - (3) Pil kartuşunu suya veya yağmura maruz bırakmayın. Pilin kısa devre yapması büyük bir akıma, aşırı ısınmaya, olası yanıklara ve hatta arızaya neden olabilir.
6. Aracı ve pil kartuşunu sıcaklığın 50 °C(122°F) derecede ulaştığı veya geçtiği yerlerde muhafaza etmeyin.
7. Pil kartuşunu ciddi şekilde tahrip olmuş veya tamamen yıpranmış olsa bile yakmayın. Pil kartuşu herhangi bir

- yangın sırasında patlayabilir.
8. Pili düşürmemeye veya çarpmamaya dikkat gösterin.
  9. Hasarlı pili kullanmayın.
  10. Riski ortadan kaldırmak için, kullanmadan önce değiştirilen pilin kullanım kılavuzu okunmalıdır. Ve pilin maksimum deşarj akımı 8A eşit veya büyük olmalıdır.
  11. İçerisinde lityum-iyon bulunan piller Tehlikeli Maddeler Mevzuat gereksinimlerine tabidir. Ticari taşımalar için, yani üçüncü taraflar, nakliye acenteleri için, ambalaj ve etiketlemede özel gereksinimlerin yerine getirilmesi gerekir. Sevk edilen malzemenin hazırlanması için, tehlikeli madde uzmanına danışılması gerekir. Lütfen ayrıca muhtemelen daha ayrıntılı bilgiler içeren ulusal düzenlemeleri de dikkate alın. Açık temas noktalarını bantlayın veya kapatın ve pili ambalaj içerisinde hareket etmeyecek şekilde ambalajlayın.
  12. Pilin atılmasıyla ilgili, yerel düzenlemelere uygun hareket edin.
  13. Pilleri, yalnızca Makita tarafından belirtilen ürünlerle kullanın. Pillerin, uyumlu olmayan ürünlere takılması yangın, aşırı ısınma, patlama veya elektrolit sızıtısına neden olabilir.

#### ⚠ DİKKAT!

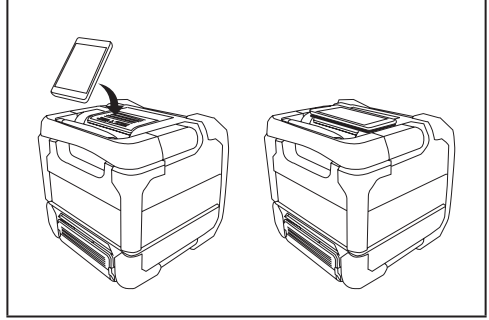
- Pilin yanlış takılması durumunda patlama tehlikesiyle karşı karşıya kalınabilir.
- Pili, aynı türden veya eşdeğer bir pille değiştirin.
- Yalnızca orijinal Makita pilleri kullanın, kullanın. Orijinal olmayan Makita pilleri veya değiştirilmiş piller kullanılması, yangın, kişisel yaralanma ve hasara neden olabilecek pil patlamasıyla sonuçlanabilir. Bu aynı zamanda Makita aracı ve şarj cihazı için Makita garantisini de geçersiz kılacaktır.

Maksimum pil ömrü elde etmek için ipuçları

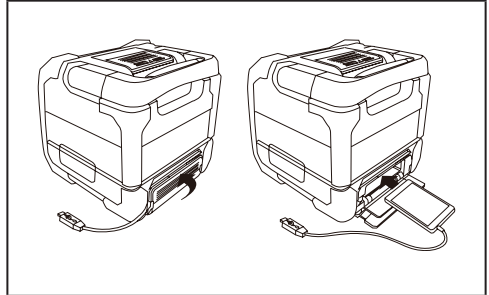
1. Tamamen şarjı bitmeden önce pil kartuşunu şarj edin. Araçta enerjinin az olduğunu farketmişinizde daima aracın çalışmasını durdurun ve pil kartuşunu şarj edin.
2. Tam şarj edilmiş pil kartuşunu hiç bir zaman yeniden şarj etmeyin. Aşırı şarj pilin çalışma ömrünü kısaltır.
3. Pili kartuşunu 10 °C - 40 °C (50 °F - 104 °F) derece oda sıcaklığında şarj edin. Isınmış pil kartuşunu şarj etmeden önce soğumasını bekleyin.
4. Uzun süre kullanmadığınız durumlarda (altı aydan fazla süredir) pil kartuşunu şarj edin.

## Genel görünüm açıklaması (Resim 1)

1. Pili bölmesi kilitleti kapağı
2. Mobil (Cep telefonu) yerleştirme paneli



3. Ses açma düğmesi
4. Ses azaltma düğmesi
5. Oynatma modu düğmesi
6. Sonraki klasör düğmesi
7. Sonraki parça düğmesi/Hızlı-ileri sarma düğmesi
8. LCD ekran
9. Oynat/Duraklat düğmesi
10. Önceki parça düğmesi / Geri sarma düğmesi
11. Önceki klasör düğmesi/ Bluetooth eşleştirme düğmesi
12. Kaynak düğmesi
13. Güç düğmesi
14. Hoparlör
15. Sap
16. DC giriş yuvası
17. Yardımcı giriş yuvası
18. USB şarj yuvası
19. Mobil cihaz muhafaza dolabı kapağı
20. Kablo deliği
21. Mobil (Cep telefonu) muhafaza dolabı



22. 14,4 V/18V pil kutup ucu
23. 10,8 V-12Vmax pil kutup ucu
24. USB oynatma yuvası
25. Pili kapağı
26. Pili kartuşu
27. Düğme

## Güç

Hoparlöre Makita pil takımı veya standart duvar prizi ile güç sağlanabilir.

## Pille güç sağlama

Ekranda "LOW BATTERY" (DÜŞÜK PİL) gösterildiğinde lütfen pili değiştirin.

Aşağıdaki tabloda tek bir şarjla çalışma süresi gösterilmektedir.

Pil Kapasitesi	Pil Kartuşu Voltajı			HOPARLÖR ÇIKIŞINDA = 100mW Birim: Saat (Yaklaşık)			
	10.8V-12Vmax	14,4V	18V	USB Oynatma	Bluetooth	AUX GİRİŞİ	USB Oynatma + USB Şarj (2.1A)
1.3Ah		BL1415		3.5	5.5	5.5	1.0
			BL1815	4.0	6.0	6.0	1.2
1.5Ah	BL1015 BL1016			5.5	7.5	9.0	0.9
		BL1415N		5.0	7.0	7.0	1.3
			BL1815N	5.5	7.5	7.5	1.4
2.0Ah	BL1020B BL1021B			7.5	10	11	1.1
			BL1820(B)	7.0	10	10	1.9
3.0Ah		BL1430(B)		8.0	12	12	2.2
			BL1830(B)	10	14	14	2.7
4.0Ah	BL1040B BL1041B			14	20	23	2.2
		BL1440		13	19	19	3.5
			BL1840(B)	14	20	20	3.5
5.0Ah		BL1450		16	23	23	4.0
			BL1850(B)	18	26	26	4.5
6.0Ah		BL1460B		17	25	25	4.5
			BL1860B	22	32	32	5.5

**⚠ UYARI:** Yalnızca yukarıda listelenen pil kartuşlarını kullanın. Başka pil kartuşlarının kullanılması yaralanma ve/veya yangına neden olabilir.

**Not:** Yukarıdaki pil çalışma süresine ilişkin tablo, bilgi amaçlıdır. Gerçek çalışma süresi pil türü, şarj koşulu veya kullanma ortamına göre farklılık gösterebilir.

## Kayan pil kartuşunun takılması ve çıkarılması (Resim 3 ve 4)

- Pil kartuşunu takmak için pil kartuşundaki dili muhafaza içindeki yivle aynı hizaya getirin ve yerine doğru kaydırın. Her zaman küçük bir tık sesiyle yerine tam olarak oturana kadar yerleştirin.
- Düğmenin üst tarafında kırmızı gösteregyi görebiliyorsanız tamamen oturmamış demektir. Kırmızı gösterge görünmeyene kadar tam olarak yerine yerleştirin. Yerine tam olarak yerleştirilmediği takdirde pil kaza ile araçtan dışarı düşebilir ve size veya

çevrenizdeki başka kişilere zarar verebilir.

- Pil kartuşunu yerleştirirken güç kullanmayın. Kartuş içeride kolayca kaymıyorsa doğru yerleştirilmemiş demektir.
- Pil kartuşunu çıkarmak için, kartuşun ön kısmındaki düğmeye basarken pil kartuşunu araçtan kaydırarak çıkarın.

### ÖNEMLİ:

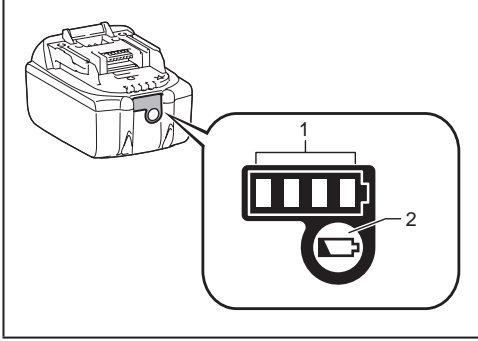
- Pil kapağını kapatırken parmaklarınızı sıkıştırmamak için dikkat edin.

### Not:

Hoparlör düşük pil seviyesindeyken LCD ekranda, "LOW BATTERY" uyarısı görünecek ve yanıp sönecektir.

## Kalan pil kapasitesinin gösterilmesi

Yalnızca model numarasının sonunda "B" harfi olan pil kartuşları için



► 1. Gösterge lambaları 2. Kontrol düğmesi  
Kalan pil kapasitesinin gösterilmesi için pil kartuşundaki kontrol düğmesine basın. Gösterge lambaları birkaç saniye süre ile yanacaktır.

### • 14.4V/18V piller

Gösterge veya lambalar			Kalan Kapasite
Yanıyor	Kapalı	Yanıp sönmüyor	
■	□	■	75% ~ 100%
■	■	□	50% ~ 75%
■	□	□	25% ~ 50%
■	□	□	0% ~ 25%
■	□	□	Pili şarj et
■	□	□	Pil arızalanmış

### • 10.8V-12V maks piller

Gösterge veya lambalar			Kalan Kapasite
Yanıyor	Kapalı	Yanıp sönmüyor	
■	□	■	75% ~ 100%
■	□	□	50% ~ 75%

■ ■ □ □	25% ~ 50%
■ □ □ □	0% ~ 25%

**NOT:** Kullanım koşulları ve ortam sıcaklığına bağlı olarak, gösterge gerçek kapasiteden biraz farklı olabilir.

## Birlikte verilen AC güç adaptörünün kullanılması (Resim. 5)

Lastik koruyucuyu çıkarın ve adaptör fişini hoparlörün sağ tarafından bulunan DC yuvasına takın. Adaptörü her kullandığınızda pil takımının bağlantısı otomatik olarak kesilir. Kullanılmadığında, AC adaptörünün ana güç kaynağı ile bağlantısı kesilmelidir.

### ÖNEMLİ:

- Hoparlörün ana şebeke güç kaynağına bağlantısını sağlama aracı olarak şebeke adaptörü kullanılır. Hoparlör için kullanılan ana şebeke yuvası normal kullanım sırasında her zaman erişilebilir olmalıdır. Hoparlörün ana şebeke ile bağlantısının tamamen kesilmesi için, ana şebeke adaptörü ana şebeke çıkış noktasından tamamen çıkarılmalıdır.
- Yalnızca ürünle birlikte verilen veya Makita tarafından belirtilen AC güç adaptörü kullanın.
- Güç kablосunu ağızınızla tutup takmayın. Böyle yaptığınızda elektrik çarpmasına neden olabilir.
- Güç kablосuna ıslak veya yağlı ellerle dokunmayın.
- Kablo hasar gördüğünde, herhangi bir güvenlik tehlikesini önlemek için yetkili servis merkezimize kablосunuzu değiştirin. Onarmadan önce onu kullanmayın.
- Kullandıktan sonra AC güç adaptörünü her zaman çocukların erişemeyeceği bir yerde muhafaza edin. Çocukların kabloyla oynaması yaralanmalarına neden olabilir.

## USB güç kaynağı yuvası

Bu fiş 2.1A DC akım kullanan herhangi bir mobil telefon veya başka cihazların şarj edilmesinde kullanılabilir. Hoparlör açıldığında şarj işlemi gerçekleşecektir.

**Not:** Mobil telefon, mp3 çalar veya iPod gibi harici cihazlarınızın özelliklerinin hoparlör özellikleriyle uyumlu olduğundan emin olun. Lütfen şarj etmeden önce harici cihazınızın kullanım kılavuzunu okuyun.

### ÖNEMLİ:

- USB cihazını şarja bağlamadan önce her zaman USB cihazınızdaki verileri yedekleyin. Aksi takdirde verilerinizi kaybetme olasılığıyla karşı karşıya kalabilirsiniz.
- Şarj cihazını bazı USB cihazlarına güç sağlayamaz. Aksi takdirde yangın riski olabilir. USB bağlantı noktası yalnızca düşük voltaj cihazların şarj edilmesi amaçlıdır. Düşük voltajlı cihazı şarj etmediğiniz zamanlarda daima kapağı USB bağlantı noktasına takın.
- USB güç kaynağı bağlantı noktasına çivi, tel vb. gibi

cisimler sokmayın. Aksi takdirde olabilecek bir kısa devre dumana ve yangına neden olacaktır.

- Büyük ihtimalle ünitelerin arızalanmasına neden olabileceğinden bu USB yuvası ile Bilgisayarınızın USB bağlantı noktası arasında bağlantı yapmayın.

## Herhangi bir cihazın hoparlöre bağlanması

Hoparlörünüz aracılığıyla Bluetooth müzik oynatma/ yürütme otomatik bağlantısı yapmadan önce Bluetooth cihazınızın hoparlörle bağlantısını yapmanız gerekmektedir. Eşleştirme bir 'Bağ' oluşturduğundan iki cihaz daha sonra birbirini tanıyabileceklerdir. Daha iyi bir ses kalitesi elde etmek için Bluetooth cihazınızdaki ses seviyesini üçte ikiden daha yükseğe ayarlamayı ve daha sonra hoparlördeki sesi de gerektiği gibi ayarlamayı öneririz.

## Bluetooth cihazınızın ilk kez eşleştirilmesi



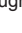



1. Hoparlörü açmak için Güç düğmesine ① basın ve hoparlörün görülebilir olduğunu göstermek için ekranda 'BT EŞLEŞTİRME' görünecektir.
2. Cihazın kullanım kılavuzuna göre hoparlöre bağlanmasın için cihazınızda Bluetooth özelliğini etkinleştirin. Bluetooth cihaz listesini bulun ve 'DMR202' adlı cihazı seçin, bazı mobil cihazlarda (BT2.1 Bluetooth cihazı önceki sürümüne sahip olanlar) şifre olarak "0000" girmeniz gerekebilir.
3. Bağlantı kurulduktan sonra bir bip sesi duyacaksınız ve ekranda 'BT BAĞLANDI' yazısı görülecek. Tek yapmanız gereken kaynak cihazınızdan herhangi bir müziği seçmek ve oynatmak olacaktır. Ses kontrolü kaynak cihazınızdan veya doğrudan hoparlörden ayarlanabilir.
4. Parçaları oynatmak/durdurmak ve parça listesinde gezinmek için Bluetooth etkinleştirilmiş cihazınızda veya hoparlörde bulunan kontrolleri kullanın.

### Not:

1. Şayet ilk kez 2 Bluetooth cihazı eşleştiriliyorsa, her ikisi de hoparlörü arayacak, her bir cihazda uygun olup olmadıkları gösterilecektir. Ancak, cihazlardan biri bu üniteye ilk olarak bağlandığında, diğer Bluetooth cihazı diğer cihazı listede bulamayacaktır.
2. Bluetooth cihazınızın hoparlör bağlantısının geçici olarak kesilmesi durumunda, cihazınızı yeniden elle hoparlöre bağlamanız gerekecektir.
3. Bluetooth cihazınızın listesinde 'DMR202' görüntüleniyor ancak cihazınızı araca bağlanamıyorsa, lütfen cihazı listenizden silin ve burada daha önce belirtilen adımları takip ederek cihazı hoparlöre yeniden eşleştirin.
4. Sistem ile eşleştirilen cihaz arasındaki çalışma kapsama alanı yaklaşık 10 metredir (30 feet). Sistem ve cihaz arasındaki herhangi bir engel çalışma kapsama alanını düşürebilir.
5. Bluetooth bağlantı performansı bağlanan Bluetooth cihazlarına bağlı olarak değişiklik gösterebilir. Lütfen hoparlör bağlantısını yapmadan önce cihazınızın Bluetooth özelliklerine göz atın. Eşleştirilen bazı Bluetooth cihazlarında tüm özellikler desteklenemeyebilir.

## Bluetooth Modunda ses dosyalarını oynatma

Hoparlörü seçmiş olduğunuz Bluetooth cihazına başarılı bir şekilde bağladığınızda, bağlanmış olduğunuz Bluetooth cihazınızdaki kontrolleri kullanarak müziklerinizi oynatmaya başlayabilirsiniz.

1. Oynatmaya başladıktan sonra hoparlör veya etkinleştirdiğiniz Bluetooth cihazınız üzerindeki Ses düğmelerini  kullanarak sesi istediğiniz ayara getirebilirsiniz.
2. Ses yükseltme/azaltma düğmesine bastığınızda, ses göstergesi hızlı şekilde kısımları yapıp sönecektir. Göstergenin sürekli kırmızı renkte yanması, sesin maksimum veya minimum seste olduğu anlamına gelir.
3. Parçaları oynatmak/durdurmak ve parça listesinde gezinmek için cihazınızdaki kontrolleri kullanın. Alternatif olarak, hoparlördeki Oynat/Duraklat , Sonraki parça , Önceki parça  düğmelerini oynatmayı kontrol edebilirsiniz.
4. Geçerli parçayı ileri sarmak/geri sarmak için Sonraki parça  veya Önceki parça  düğmesine basılı tutun. Parça içerisinde istediğiniz yere geldiğinizde düğmeyi bırakın.


### Not:

1. Bu kontrollerin tamamına medya oynatıcı uygulamalar veya cihazların tamamının yanıt vermeyebileceğini aklınızda bulundurun.
2. Arama yaparken veya cevaplarırken bazı mobil telefonların hoparlör bağlantısı kesilebilir. Bazı cihazlar, kısa mesaj, e-posta alırken veya ses ortamı yürütmeye bağlı olmayan başka nedenlerle Bluetooth ses ortamı yürütme özelliğini geçici olarak sessize alabilir. Bu davranış bağlanan cihazın bir özelliğidir ve hoparlörde herhangi bir arıza olduğunu göstermez.
3. Bluetooth modunda çalarken ekranda ad, şarkıcı, albüm vb gibi bilgiler görüntülenmez.
4. Oynatma modu fonksiyonu (Tekrar/Rastgele) Bluetooth modunda kullanılamaz.

## Hoparlör belleği ve bir cihazın yeniden bağlanması

Hoparlör, 8 takım eşleşmiş cihaza kadar hafızada tutabilir, bu bellek aşılığında ise, en eski eşleştirme geçmişi silinerek yenisi üzerine yazılır. Bluetooth cihazınız hoparlörle önceden eşleşmiş ise, ünite Bluetooth cihazınızı hafızaya alır ve hafızada son olarak bağlanan cihaza yeniden bağlanmayı dener. En son bağlanan cihaza ulaşılamıyorsa, hoparlör görünür duruma geçecektir.

## Bluetooth cihazınızın bağlantısını kesme

Bluetooth cihazınızla bağlantıyı kesmek için, Bluetooth eşleştirme düğmesine  2-3 saniyelik basılı tutun. Hoparlörün eşleştirme için yeniden görünür duruma geldiğini göstermek için gösterge mavî renkte yanar.

## Yardımcı giriş yuvası vasıtasıyla müzik oynatma

iPod, MP3 veya CD Çalar gibi kulaklık veya ses çıkışı özelliği bulunan herhangi bir cihazdan üniteye ses sinyalinin gönderilmesine izin vermek amacıyla ünitenin sağ tarafında 3,5 mm Yardımcı giriş yuvası sunulmuştur.

1. Yardımcı giriş yuvasına ("AUX" işaretli) herhangi bir stereo veya mono ses kaynağı (örneğin iPod, MP3 veya CD Çalar) bağlayın ve göstergedeki Aux giriş göstergesi hoparlörün yardımcı giriş moduna olduğunu göstermek amacıyla yeşile dönecektir.
2. Yeterli sinyal geldiğinden emin olmak için iPod, MP3 veya CD Çalarınızdaki Ses kontrolünü ayarlayın ve sonra daha rahat bir dinleme için hoparlörde ses özelliğini ayarlayın.
3. Daha iyi bir ses kalitesi elde etmek için ses cihazınızdaki ses seviyesini üçte ikiden daha yükseğe ayarlamaz ve daha sonra hoparlördeki sesi de gerektiği gibi ayarlamazı öneririz.

### Not:

1. Aux giriş soketi bir ses cihazına bağlandığında hoparlör Bluetooth'tan yardımcı giriş moduna geçecektir. İsteddiğiniz modu seçmek için kaynak düğmesine de basabilirsiniz.
2. Yardımcı giriş yuvası vasıtasıyla çalarken ekranda ad, şarkıcı, albüm vb gibi bilgiler görüntülenmez.
3. Yardımcı giriş yuvası vasıtasıyla çalarken, kayıttan yürütme veya oynatma modu hoparlördeki düğmelerle kontrol edilemez.

## USB bellek cihazları kullanılması

### Önemli:

1. Hoparlörünüz yalnızca USB flash bellek cihazıyla çalışmak için tasarlanmıştır. Sabit disk sürücülerini veya başka tür USB cihazlarına bağlantı için kullanılamaz.
2. Uygun USB adaptör içerisine yerleştirildiğinde, medya oynatmak için SD veya SDHC kartlar da kullanılabilir. Ancak bu tür adaptörlerin çok fazla çeşidi olması nedeniyle tüm adaptör/kart kombinasyonlarının hoparlörle çalışacağını garanti etmek imkansızdır.
3. Hoparlör, 32 GB kapasiteye kadar bir dizi USB bellek cihazıyla test edilmiştir. USB 2.0 tam hız ve USB 3.0. Destekler (**Not:** USB 3.0 kullanırken lütfen hoparlörün cihazı daha uzun süre boyunca tespit etmesini bekleyin.)
4. USB bellek cihazının hoparlörle çalışabilmesi için FAT veya FAT 32 dosyalama sistemi kullanılması gereklidir, NTFS sistemi desteklenmez.
5. Oynatma için desteklenen ses dosyası biçimleri MP3, WMA ve AAC. Oynatma; WMA kayıpsız, WMA Ses, WMA 10 Profesyonel kullanılarak şifrelenen dosyalar ile DRM koruması olan herhangi bir dosya biçimini desteklemez.

### ⚠ Dikkat:

1. Hoparlör ve USB Bellek cihazınıza hasar riskini en aza indirmek için lütfen hoparlörü, USB bellek cihazı yuvaya takılırken kolayca devrilmeyecek şekilde yerleştirin.
2. Hoparlörü taşımadan önce veya USB özelliğini uzun süre boyunca kullanmadığınızda USB cihazı çıkarın.
3. USB bellek cihazınızı çıkarmadan önce hoparlörü kapatın.

4. USB bağlantısı yalnızca flash bellek cihazları içindir. Sabit disk depolama ortamları kullanımı desteklenmez.
5. MP3 oynatıcılarda kaydedilmiş USB dosyaları üzerinden oynatma garanti edilmez.
6. Büyük dosya boyutu veya büyük USB bellek cihazının okuması daha uzun zaman alır.

## USB bellek cihazlarından dosya oynatma

1. Pili kapağını açın ve USB bellek cihazını pil bölgesinde bulunan USB yuvasına yerleştirin. Pili kapağını kapatın
2. Hoparlörü açmak için Güç düğmesine **ⓘ** basın ve LCD ekranda 'Okunuyor' yazısı yanıp sönmeye başlayacaktır. Daha sonra hoparlör USB moduna girecek ve USB bellek cihazından oynatmaya başlayacaktır. Ekranda klasör ve dosya numaraları görünecektir, örneğin: 'F001 T0001' gibi. Hoparlör, bilgi olduğunda kayan metin mesajları da (isim, sanatçı, albüm, vb gibi) gösterir.

### Not:

- a) Metin kodlaması yalnızca UNICODE destekler, USB dosyalarının UNICODE harici metin kodlaması içermesi durumunda, kayan mesajlar karışık yazılar olarak görünecektir.
- b) USB bellek cihazı takıldığında hoparlör otomatik olarak USB moduna girer. Gerektiğinde istediğiniz modu seçmek için kaynak düğmesine de basabilirsiniz.
3. Oynatmayı duraklatmak için Oynat/Duraklat düğmesine **▶||** basın. Oynatmaya devam etmek için Oynat/Duraklat düğmesine **▶▶** tekrar basın.

### Not:

- a) Hoparlörü kapatırsanız, hoparlör bir sonraki sefer açıldığında en son parçayı oynatmaya devam edecektir.
- b) USB bellek cihazından oynatırken başka bir mod seçerseniz, oynatma duraklar. Tekrar USB moduna geçiş yaparsanız, oynatma duraklatıldığı yerden devam edecektir.
- c) USB bellek cihazınıza yalnızca müzik dosyaları (MP3/ WMA/AAC) kaydetmeniz önerilir. Müzik dosyası olmayan dosya(lar) içeren bir klasör olması halinde, hoparlörünüz bu dosyayı/ klasörü atlayacak ve ekranda gösterilen dosya/klasör sayısı sıralı olmayacaktır.

## Dosya seçimi

1. USB bellek cihazı oynatılırken, istediğiniz dosyaya geçiş yapmak için Sonraki parça düğmesi **▶▶▶** veya Önceki parça düğmesine **◀◀◀** basın. Dosya sayısı ekranda güncellenir. Birden fazla klasör olması durumunda geçerli klasördeki tüm dosyalar oynatıldıktan sonra sonraki klasör oynatılır.
2. Geçerli parçayı ileri sarmak/geri sarmak için Sonraki parça **▶▶** veya Önceki parça **◀◀** düğmesine basılı tutun. Parça içerisinde istediğiniz yere geldiğinizde düğmeyi bırakın.

## Başka bir klasöre geçme

USB bellek cihazıyla duraklatma veya oynatma modundayken, Sonraki klasör düğmesi **▶▶** veya Önceki klasör düğmesine basıp bırakın **◀◀**. Sonraki veya önceki



klasörün ilk dosyası oynatılacaktır.

**Not:**

USB'nizde dosya içermeyen bir klasör olması durumunda cihaz klasörü atlayacak ve sonraki klasördeki dosyaları oynatacaktır.

## Oynatma Modu

USB bellek cihazından dosya oynatırken, seçmek için Tekrarla/Rastgele düğmesine basıp bırakın.

**Repeat 1:** dinlediğiniz dosyayı sürekli oynatır.

**Repeat Folder:** dinlediğiniz klasördeki dosyaları sürekli oynatır.

**Random:** USB içindeki dosyaları rastgele oynatır.

**Repeat All:** USB içindeki klasörleri sürekli oynatır.

## BAKIM

**⚠ DİKKAT!**

- Hiç bir zaman benzin, gaz, tiner, alkol veya benzerlerini kullanmayın. Renk değişikliği, deformasyon veya çatlaklara neden olabilir.

## TEKNİK ÖZELLİKLER

Yükseltici	
Çıkış gücü	10.8V-12Vmax:3W 14,4V:6W 18V:10W
Frekans tepkisi	50Hz~20kHz
Aux Girişi	
Giriş hassasiyeti	250mVrms @100Hz
Hoparlör	
Ana hoparlör	101.6mm 8ohm 10W
Tweeter hoparlörü	36mm 8ohm 10W

Bluetooth (Bluetooth® ifadesi ve logoları Bluetooth SIG, Inc. şirketine ait tescilli ticari markalardır)	
Bluetooth sürümü	4,0
Bluetooth Profilleri	A2DP SCMS-T AVRCP
Aktarım Gücü	Güç Sınıfı 2
Aktarım Mesafesi	Maks.10m (kullanım koşullarına göre değişiklik gösterebilir)
Desteklenen kodek	SBC
Uyumlu Bluetooth profili	A2DP
Maksimum radyo-frekans gücü	BT EDR: 3.88dBm BT LE: -1.4dBm
Çalışma Frekansı	2402MHz~2480MHz

USB Oynatma Yuvası	
USB Standartları	USB3.0 / USB2.0
Uyumlu Dosya Sistemi	FAT 32/16/12
Oynatılabilir Ses biçimi	MP3 / WMA / AAC
Maks. Akım	500 mA (Maks)

Genel	
AC güç adaptörü	DC giriş 12V 1,5A, orta pin pozitif
Pil	Pili kaydır: 10.8 V-12Vmax 14,4 V 18 V
Ebatlar(E x B x D)	211 mm x 206 mm x 199 mm
Ağırlık	2,7KG (pilsiz)

Şirket, özellikleri herhangi bir uyarıda bulunmadan değiştirme hakkını saklı tutar.

## 繁體中文

### 符號

以下是用於本機的符號。使用本機前務必明白它們的含義。



請閱讀本說明書。



僅適用於歐盟成員國。

請勿將電器設備或電池組與生活垃圾一同處置！

遵守歐盟關於廢舊電器、電子設備、電池、蓄電池、廢舊蓄電池和蓄電池組的指令，並依據國家法律，在電氣設備、電池和電池組使用壽命到期時分別收集，並交給符合環保要求的回收設施。

## 重要的安全說明

### ⚠ 警告：

使用電動工具時，應始終遵循基本的安全預防措施，以降低火災、電擊和人身傷害風險，安全措施包括：

1. 使用前認真閱讀本說明書和充電器使用說明書。
2. 用乾布清潔。
3. 勿將本機安放在靠近暖氣、電熱器、爐子等熱源或發熱設備（包含擴大機）之處。
4. 僅使用製造商指定的附件 / 配件。
5. 雷雨天或長時間不用時，拔下電源插頭。
6. 使用內建電池或獨立的電池組運作的揚聲器，僅可使用電池專門的充電器進行充電。適合一種電池使用的充電器，可能在搭配另一種電池使用時會出現引發火災的危險。
7. 只能使用專門指定的電池來操作揚聲器。使用其他電池會產生起火風險。
8. 不使用電池組時，請將其放置在遠離金屬物體如迴紋針、硬幣、鑰匙、釘子、螺絲或其他小金屬物體，這些物體會將電極連接成迴路。使電池端子短路可能會引發火花、燙傷或火災。
9. 避免身體與接地的表面接觸，如水管、散熱器、電爐和電冰箱等。如果您的身體接地了，會增加電擊的危險。
10. 如果使用不當可能從電池滲出液體。避免接觸此類流動物體。如果意外接觸到電池漏液，請用水沖洗。如果上述液體侵入眼睛必須即刻就醫。從電池流出的液體會刺激或灼傷皮膚。
11. 請勿使用受損或改裝過的電池組或工具，否則會出現不可預測的結果，帶來人身傷害或爆炸風險。

12. 不要使電池組或工具接觸火源或高溫，暴露於火源或 130°C 以上高溫可引起爆炸。
13. 遵守充電說明，請勿在超過說明書指定的溫度下給電池組或工具充電。充電不當或在超出指定溫度範圍下充電會損壞電池並增加火災風險。
14. 交流電源插頭用作斷路裝置，應可以隨時操作。
15. 使用本產品時，音量不宜過大。為避免聽力損害，使用本產品時請將音量調至適度。
16. ( 對於 LCD 顯示屏的產品而言 ) LCD 顯示屏含有可引起刺激或中毒的液體。如果液體進入眼睛、口中或接觸皮膚，請用清水沖洗並立即就醫。
17. 請勿使本產品淋雨或受潮。產品進水會增加觸電的風險。
18. 本產品不適合身體、感官能力降低者或智力低下者使用（包括兒童），也不適合經驗和知識缺乏者使用。除非在能負責他們安全之下，給予監督或指導下才能使用。確保兒童不會將本產品當作玩具，並將本產品存放在兒童拿不到之處。

## 請保留此說明書。

## 特定安全規則

### 電池組

1. 使用電池組前，仔細閱讀說明書並理解 (1) 充電器、(2) 電池和 (3) 使用電池的產品上的警示標誌的含義。
2. 請勿拆卸電池組。
3. 如果電池工作時間變得過短，則立即停止使用，否則會造成過熱風險，可能引起燃燒甚至爆炸。
4. 如果電解液進入眼睛，請立即用清水沖洗並就醫。電解液可引起失明。
5. 不使電池組短路：
  - (1) 請勿使用導電材料接觸電池兩極。
  - (2) 避免將電池組存放在裝有釘子、硬幣等金屬的容器內。
  - (3) 避免電池組接觸水或淋雨。電池短路可引起大電流、過熱、造成燙傷甚至爆炸的危險。
6. 請勿將工具和電池組存放在溫度可能會達到或超過 50°C (122°F) 的地方。
7. 即使電池組嚴重損壞或完全磨損，也不要燒棄，電池組在火中可能會爆炸。
8. 注意不要摔落或撞擊電池。
9. 請勿使用受損電池。
10. 為了避免風險，使用之前請閱讀電池更換手冊。電池最大放電電流應大於等於 8A。

11. 所使用的鋰電池受危險品法規需求所規範。若是由第三方、貨運承攬業者進行商業運輸，必須遵守特殊的包裝與標示需求。若要準備待運送的物品，須請教有害物質專家。亦請遵守可能更詳盡的國家法規。請將裸露的接點貼上膠帶或遮蔽，並以不會讓電池在包裝內移動的方式包裝電池。
12. 遵守當地關於電池處置的規定。
13. 僅將電池用於牧田 (Makita) 公司指定的產品。將電池裝入不符合規定的產品中可引起火災、過熱、爆炸或電解液洩漏。

**⚠ 注意：**

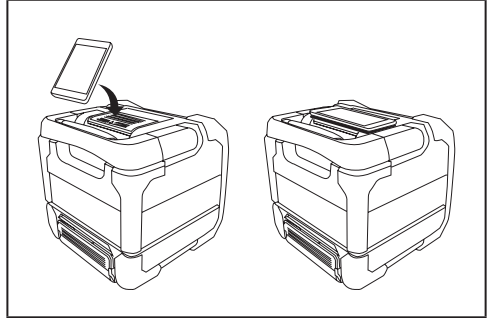
- 電池更換不當會有爆炸危險。
- 僅用同類型或相當於同類型的電池進行更換。
- 僅使用正品牧田電池。使用非正品牧田電池或改裝過的電池會導致電池爆炸，引起火災、人身傷害和財產損害，而且會使牧田公司對於牧田工具和充電器的保修作廢。

**維持電池最長壽命的技巧**

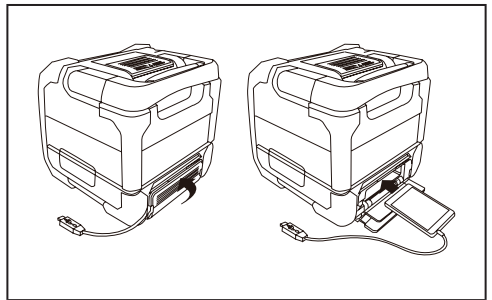
1. 在電池組電量用完之前充電。感覺到工具功率減小時，停止使用並立即充電。
2. 切勿給電量充足的電池組充電。過度充電會縮短電池使用壽命。
3. 在電池組溫度為 10°C - 40°C (50°F - 104 °F) 的溫室時充電。充電前使電池組冷卻下來。
4. 電池長時間未使用時 (超過六個月以上)，需將電池充電。

**總圖解釋 (圖 1)**

1. 電池室開合扣鎖
2. 手機 / 設備放置板



3. 音量增大按鈕
4. 音量減小按鈕
5. 播放模式按鈕
6. 下一個文件夾按鈕
7. 下一曲 / 快進按鈕
8. LCD 顯示屏
9. 播放 / 暫停按鈕
10. 上一曲 / 快退按鈕
11. 上一個文件夾 / 藍牙配對按鈕
12. 音源切換按鈕
13. 電源按鈕
14. 喇叭
15. 手把
16. 適配器插口
17. AUX 音源線插口
18. USB 充電插口
19. 手機 / 設備貯存盒蓋
20. 電纜線孔
21. 手機 / 設備放置盒



22. 14.4 V/18V 電池端子
23. 10.8 V-12Vmax 電池端子
24. USB 手指播放插口
25. 電池室蓋
26. 電池組
27. 電池組按鈕

## 電源

該揚聲器可採用牧田電池組電源或標準壁式插座電源。

## 電池電源

當屏幕上顯示“LOW BATTERY”(電池電量低)時，請更換電池。

下表中標明了充電一次的工作時間。

電池容量	電池組電壓			揚聲器輸出功率 = 100mW 單位：小時 (近似值)			
	10.8V-12Vmax	14.4V	18V	USB 播放	藍牙	AUX 音 頻輸入	USB 播放 + USB 充電 (2.1A)
1.3Ah		BL1415		3.5	5.5	5.5	1.0
			BL1815	4.0	6.0	6.0	1.2
1.5Ah	BL1015 BL1016			5.5	7.5	9.0	0.9
		BL1415N		5.0	7.0	7.0	1.3
			BL1815N	5.5	7.5	7.5	1.4
2.0Ah	BL1020B BL1021B			7.5	10	11	1.1
			BL1820(B)	7.0	10	10	1.9
3.0Ah		BL1430(B)		8.0	12	12	2.2
			BL1830(B)	10	14	14	2.7
4.0Ah	BL1040B BL1041B			14	20	23	2.2
		BL1440		13	19	19	3.5
			BL1840(B)	14	20	20	3.5
5.0Ah		BL1450		16	23	23	4.0
			BL1850(B)	18	26	26	4.5
6.0Ah		BL1460B		17	25	25	4.5
			BL1860B	22	32	32	5.5

⚠ **警告：**僅使用上列電池組。使用其他電池組可引起人身傷害及火災。

**說明：**上列關於電池工作時間的表格僅供參考。實際工作時間會隨電池型號、充電狀態或使用環境而不同。

## 安裝或拆卸滑動電池盒（圖 3 和圖 4）

- 安裝電池組時，將電池組上的舌簧與外殼內的槽對正，然後將其滑動到位。一直往內插直至鎖住，並聽到微小卡住聲為止。
- 如果能看到按鍵上部的紅色指示，則表明未完全鎖緊。需將其安裝好，直到看不見紅色指示為止。如果未安裝好，電池組可能會意外從機器中掉落，對您和周圍的人造成傷害。
- 插入電池組時請勿用力。如果電池組不能順利滑入，則說明插入不正確。
- 卸下電池組時，需按壓電池組上的按鈕，並同時從機器上滑開。

### 重要提示：

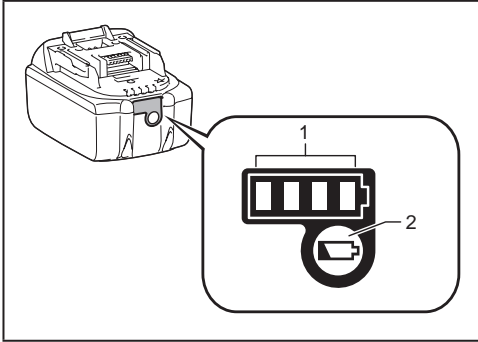
- 關閉電池蓋時應小心 不要夾傷手指。

### 說明：

當揚聲器電量低時，LCD 顯示屏上會出現“LOW BATTERY”的字樣並閃爍。

## 指示電池剩餘電量

僅適用於型號最後為“B”的電池組。



### ► 1. 指示燈 2. 檢查鍵

按下電池組上的檢查鍵，可查看電池剩餘電量。指示燈亮起數秒鐘。

### • 14.4V/18V 電池組

指示燈			剩餘電量
亮	不亮	閃亮	
■	□	◐	75% ~ 100%
■	■	■	
■	■	■	50% ~ 75%
■	■	□	

■ ■ □ □	25% ~ 50%
■ □ □ □	0% ~ 25%
◐ □ □ □	需要充電
■ ■ □ □ ↑ ↓ □ □ ■ ■	電池可能存在故障

### • 10.8V-12Vmax 電池組

指示燈			剩餘電量
亮	不亮	閃亮	
■	□	◐	75% ~ 100%
■	■	■	
■	■	■	50% ~ 75%
■	■	□	
■	■	□	25% ~ 50%
■	□	□	
■	□	□	0% ~ 25%

**說明：**根據使用情況與環境溫度，顯示內容有可能與實際電量略有差異。

## 使用提供的交流電源適配器（圖 5）

去掉橡膠防護套，然後將適配器插頭插入揚聲器右側的直流插座。將適配器插入交流電源插座。每當使用適配器時，電池組會自動斷開。不使用時，應將電源斷開。

### 重要提示：

- 交流適配器是連接揚聲器與交流電源的設備。與揚聲器的交流電源插座正常使用過程中不可有障礙。要將揚聲器與交流電源斷開，適配器必須完全脫離交流電源插座。
- 僅使用隨產品提供的或牧田指定的交流電源適配器。
- 請勿將電源線和插頭含在口中，這樣做會遭電擊。
- 潮濕或帶有油脂的手請勿接觸電源插頭。
- 如果電線受損，請至我們授權的服務中心更換，以避免危害安全。修理前不要使用。
- 使用之後，請將交流電源適配器放到兒童拿不到的地方。如果兒童玩弄電線，則可能會受到電擊。

## USB 充電插口

該插口可用來給移動電話或其他任何使用小於 2.1A 直流電的設備充電。打開揚聲器後方可充電。

**說明：**確保您的行動電話、mp3 播放器或 iPod 等外部設備的技術規格與揚聲器相容。充電前請閱讀外部設備的使用說明書。

### 重要提示：

- 連接 USB 設備進行充電之前，務必備份 USB 設備的數據，以防萬一數據丟失。
- 充電功能可能無法對少數 USB 設備進行充電。
- 使用或充電之後，拔出 USB 電線並關閉蓋子。
- 請勿將電源與 USB 插口相連，否則有著火的風險。USB 插口僅用於給低壓設備充電。不充電時務必蓋上 USB 插口的蓋子。
- 請勿將釘子、電線等插入 USB 電源插口，否則會造成短路並引起冒煙和起火。
- 請勿將此 USB 插口與電腦的 USB 插口連接，否則極有可能引起設備故障。

## 配對並將設備與揚聲器連接

您必須將您的藍牙設備與揚聲器配對，才能自動連接到播放 / 串流。配對過程建立連接兩台設備的“連結”，使之相互認識。

為了獲得更好的音質，我們建議將藍牙設備的音量調至三分之二以上，然後根據需要在揚聲器上調節音量。

## 首次配對並使用藍牙設備

1. 按壓電源按鈕 **①** 接通揚聲器電源，“BT PAIR”（配對）字樣會出現在顯示屏上，表示偵測到揚聲器。
2. 按照使用說明書在您的設備上啟動藍牙，進行設備與揚聲器的連接。查找藍牙設備列表，並選擇名為“DMR202”設備。使用某些手機時（這些手機裝有早期版本，而不是 BT2.1 版藍牙設備），您可能需要輸入密碼“0000”
3. 連接好後會聽到嗶一聲後，可從你的音源設備上播放任何音樂。音量可透過音源設備調節，也可透過揚聲器調節。
4. 可從已開啟的藍牙設備上的控制項目進行播放 / 暫停和變換樂曲，或在揚聲器上直接進行此類操作。

### 說明：

1. 如果有兩個藍牙設備正首次與 DMR202 進行配對，兩個設備可同時進行搜索，並顯示可進行配對。如果其中一個先與揚聲器配對成功，則另一

個設備的配對列表中則找不到揚聲器。

2. 如果藍牙設備暫時與揚聲器斷開，再連接時需要手動操作。
3. 如果藍牙設備列表中顯示有“DMR202”，但不能與揚聲器連接，則請您從列表中刪除該項目，然後按上述步驟與揚聲器重新配對。
4. 已配對的設備和揚聲器之間有效的工作距離為 10 米（30 英尺）。距離之間的任何障礙都會使操作距離減小。
5. 藍牙連線性能隨所連接的藍牙設備而異。連接揚聲器之前，請參閱您設備的藍牙能力，有些功能可能無法支援某些配對成功的藍牙設備。

## 用藍牙模式播放音頻文件

揚聲器與藍牙設備配對成功後，就可使用藍牙設備上的控制項目播放音樂。

1. 開始播放音樂時，可使用揚聲器或已配對的藍牙設備來調整音量。
2. 按音量升 / 降鍵時，音量指示燈快速閃爍紅光。指示燈不再閃爍時，表示音量已處於最大或最小。
3. 可使用您設備上的控制項來播放 / 暫停和選擇樂曲。或是使用揚聲器上的播放 / 暫停鍵 **▶||**，下一曲鍵 **▶▶|** 或上一曲鍵 **◀◀|** 進行樂曲播放。
4. 按住下一曲鍵 **▶▶|** 或上一曲鍵 **◀◀|**，可進行當前樂曲的快進 / 快退。到達預期的播放點時可鬆開按鍵。


### 說明：

1. 並非所有 APP 播放程式或藍牙設備都可對應操作。
2. 打電話或接電話時，有些手機會暫時與揚聲器斷開。有些手機會暫時讓其藍牙音頻靜音。這種現象是所連接的設備的一項功能，並不表示揚聲器出現故障。
3. 藍牙模式播放時，顯示屏無法顯示歌名，歌手或專輯等訊息。
4. 藍牙模式播放時，揚聲器上的（循環 / 隨機）播放功能無法使用。

## 揚聲器內存和重新連接設備

您的揚聲器最多可儲存 8 套配對設備，超過這一數量時，最早的配對記錄會被覆蓋。如果藍牙設備之前已和揚聲器配對，則揚聲器會記住該設備，並會試圖再次連接儲存器中上次連接的設備，如果上次連接的設備不可用時，揚聲器才可被搜尋並重新配對。

## 斷開藍牙設備

按住藍牙  配對鍵 2-3 秒，可斷開藍牙設備。藍色指示燈閃爍時，揚聲器才可被搜尋並重新配對。

## 用音頻輸入插口播放音樂

揚聲器右側配有 3.5mm 音頻輸入插口，可將 iPod、MP3 或 CD 播放器等任何具有耳機或音頻輸出功能的音頻信號輸入揚聲器。

1. 連接立體聲或單聲道音頻源（例如，iPod、MP3 或 CD 播放器）至音頻輸入插口（標誌為“AUX”）後，音頻輸入指示燈變為綠色，表示揚聲器處於音頻輸入模式。
2. 在 iPod、MP3 或 CD 播放器上調整音量，確保信號充足後，再透過揚聲器調整適合的音量。
3. 建議將音頻設備的音量調至三分之二以上，再透過揚聲器調整至適當的音量，可獲得較好的聆聽音質。

### 說明：

1. 當音頻輸入插口插上音源線後，揚聲器將從藍牙模式自動切換到音頻輸入模式。但可按壓音源按鈕來切換音源播放模式。
2. 通過音頻輸入播放音樂時，顯示屏無法顯示歌名、歌手或專輯等訊息。
3. 使用音頻輸入播放音樂時，揚聲器上的播放控制項目無法使用。

## 使用 USB 手指


### 重要提示：

1. 您的揚聲器僅設計使用 USB 手指。不得連接硬盤或其他類型的 USB 設備。
2. 使用合適的 USB 轉換器時，可使用 SD 或 SDHC 卡進行媒體播放。但因此類轉換器種類繁多，不能保證所有轉換器 / 讀卡器都能使用。
3. 本機通過最大 32GB 的 USB 手指的測試播放，並支持 USB 2.0 FULL SPEED 和 USB 3.0 規格。（說明：若使用 USB3.0，揚聲器會需要較長的設備偵測時間。）
4. 為了適合在揚聲器上使用，USB 手指必須使用 FAT 或 FAT 32 文件系統。揚聲器不支持 NTFS。
5. 支持播放的音頻格式為 MP3、WMA 和 AAC。使用 WMA 無損壓縮、WMA Voice、WMA 10 專業版編碼的文件不支持播放。帶有 DRM 保護其他文件格式也不支持播放。



### 警告：

1. 為儘可能降低你的揚聲器和 USB 手指受損的風險，使用時勿使揚聲器受到劇烈振動。
2. 搬運揚聲器或長期不使用時，請先移除 USB 手指。
3. 移除 USB 手指之前請關閉電源。
4. USB 連接僅適用於 USB 手指，不支援外置硬盤。
5. 不保證可播放 USB 手指內的所有檔案。
6. 大檔案或大容量的 USB 手指在讀取時需要較長的時間。

## 從 USB 手指播放音樂

1. 打開電池蓋，將 USB 手指插入位於電池室內的插口中，闔上電池蓋。
2. 按壓  按鈕開啟電源，屏幕上出現“Reading”（讀取）字樣並持續閃爍。揚聲器會進入 USB 模式，並播放 USB 手指中的音樂檔案。屏幕顯示文件夾和文件編號，如“F001 T0001”，若有訊息可用，顯示屏會顯示滾動資訊（如歌曲名、歌手、專輯等）。


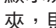
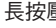

### 說明：

- a) 文本編碼僅支持 UNICODE 碼，如果 USB 文件含有非 UNICODE 文件編碼，則滾動信息將出現亂碼。
- b) 插入 USB 手指後，揚聲器將自動進入 USB 模式。可按壓音源按鈕，切換不同的音源播放模式。
3. 要暫停播放，按壓播放 / 暫停按鈕  即可。要恢復播放，則再次按壓播放 / 暫停按鈕  。



### 說明：

- a) 揚聲器關機後再重新啟動時，會繼續播放上次的樂曲。
- b) 若 USB 手指播放時切換到其他模式，則播放暫停。當再次切換回 USB 模式時，播放將從上次暫停點繼續。
- c) 建議在 USB 手指中只存儲音樂檔案。（MP3 / WMA / AAC）。若文件夾中含有其他非音樂檔，則揚聲器將跳過該文件 / 文件夾。顯示屏上顯示的文件 / 文件夾編號將不是連續的。

## 選擇音樂檔案

1. 在 USB 手指正播放時樂曲時，按壓下一曲按鈕  或上一曲按鈕  可變換至選擇的文件。顯示屏上的文件編號同時更新。如果有多個文件夾，則當文件夾中的文件播放完之後，播放下一個文件夾。
2. 長按壓下一曲按鈕  或上一曲按鈕  可快進 / 快退當前樂曲。到達希望的播放點時鬆開按鈕。

## 選擇另一個文件夾

在 USB 手指處於暫停或播放模式下，按壓和鬆開播放下一個文件夾按鈕  或上一個文件夾按鈕 ，則將播放下一個文件夾或上一個文件夾中的第一首樂曲。

### 說明：

如果你的 USB 中含有一個空文件夾，則揚聲器會跳過該文件夾，並播放下一個文件夾中的檔案。

## 播放模式

播放 USB 手指中的檔案時，按壓和鬆開循環 / 隨機按鈕，可選擇：

**Repeat 1**：循環播放當前的歌曲。

**Repeat Folder**：循環播放當前的文件夾。

**Random**：隨機播放所有的歌曲。

**Repeat All**：循環播放所有的文件夾和歌曲。

## 保養

### △注意：

- 切勿使用汽油、揮發油、稀釋劑、酒精等。否則會導致褪色、變形或開裂。

## 技術規格

功放	
輸出功率	10.8V-12Vmax：3W 14.4V:6W 18V:10W
頻率響應	50Hz~20kHz
音頻輸入	
輸入靈敏度	250mVrms @100Hz
揚聲器	
主揚聲器	101.6mm 8Ω10W
高頻揚聲器	36mm 8Ω10W

藍牙 (Bluetooth® 字樣與標誌為已註冊的商標，並為 Bluetooth SIG, Inc. 所擁有)	
藍牙版本	4.0
藍牙配置文件	A2DP SCMS-T AVRCP
傳輸功率	功率 2 級
傳輸距離	最大 10m (隨使用條件變化)
支持的編解碼器	SBC
兼容的藍牙配置文件	A2DP
最大射頻功率	BT EDR: 3.88dBm BT LE: -1.4dBm
工作頻率	2402MHz~2480MHz

USB 播放插口	
USB 規格	USB3.0 / USB2.0
相容的文件系統	FAT 32/16/12
可播放的音樂格式	MP3 / WMA / AAC
最大電流	500 mA (最大)

一般規格	
交流電源適配器	直流 12V 1.5A, 中心腳為正極
電池	滑動電池 10.8 V-12Vmax 14.4 V 18 V
尺寸 (W x H x D)	211 mm x 206 mm x 199 mm
重量	2.7KG (不含電池)

本公司保留修改技術規格的權利，恕不通知。



## TIẾNG VIỆT

### Các ký hiệu

Dưới đây sẽ hiển thị các ký hiệu được sử dụng cho thiết bị. Hãy chắc chắn rằng bạn hiểu nghĩa trước khi sử dụng.



Đọc hướng dẫn sử dụng.



Chỉ dùng cho các nước Châu Âu  
Không vứt bỏ thiết bị điện hoặc pin cùng với các vật thải của gia đình!  
Tuân theo Quy định của các nước Châu Âu về Rác thải Thiết bị Điện và Điện tử và Pin và Ắc quy, Pin và ắc quy thải, và việc thực hiện phải tuân theo luật quốc gia, các thiết bị điện và pin sau khi hết vòng đời sử dụng, cần thu gom riêng và quay lại cơ sở tái chế phù hợp với môi trường.

## CÁC HƯỚNG DẪN SỬ DỤNG AN TOÀN QUAN TRỌNG

### ⚠ CẢNH BÁO:

Khi sử dụng các dụng cụ điện, cần phải tuân thủ các biện pháp phòng ngừa cơ bản để giảm nguy cơ hỏa hoạn, sốc điện và thương tích cá nhân, bao gồm những điều sau đây:

1. Đọc hướng dẫn sử dụng và hướng dẫn sạc điện cẩn thận trước khi sử dụng.
2. Chỉ làm sạch bằng vải khô.
3. Không lắp đặt gần bất kỳ nguồn nhiệt nào như như bộ tản nhiệt, dụng cụ đun nhiệt, bếp lò, hoặc các thiết bị khác (kể cả bộ khuếch đại) tạo ra nhiệt.
4. Chỉ sử dụng các bộ phận hoặc phụ kiện do nhà sản xuất quy định.
5. Rút phích cắm của các thiết bị này khi sấm sét hoặc khi không sử dụng trong thời gian dài.
6. Một loa hoạt động bằng pin với pin tích hợp hoặc một bộ pin riêng biệt phải được sạc lại chỉ với bộ sạc được chỉ định cho pin. Bộ sạc thích hợp cho một loại pin có thể gây ra nguy cơ hỏa hoạn khi sử dụng với pin khác. Bộ sạc có thể phù hợp với một loại pin có thể gây ra nguy cơ hỏa hoạn khi sử dụng với pin khác.
7. Sử dụng loa chạy bằng pin chỉ với các bộ pin được chỉ định cụ thể. Việc sử dụng bất kỳ loại pin nào khác có thể gây ra nguy cơ hỏa hoạn.
8. Khi pin không sử dụng, giữ nó cách xa các vật kim loại khác như: giấy, đồng xu, chìa khóa, đinh, đinh vít, hoặc các vật kim loại nhỏ khác có thể kết nối từ một thiết bị đầu này sang đầu kia. Việc ngắn mạch hai đầu cuối của pin có thể gây ra tia lửa, bóng hoặc cháy.
9. Tránh tiếp xúc cơ thể với các bề mặt nổi đất như đường ống, bộ tản nhiệt, bếp lò và tủ lạnh. Có nguy cơ bị điện giật nếu cơ thể bạn tiếp đất.
10. Trong điều kiện khắc nghiệt, chất lỏng có thể được đẩy ra khỏi pin; tránh tiếp xúc. Nếu vô tình tiếp xúc, hãy dội nước vào. Nếu mắt tiếp xúc với chất lỏng, hãy tìm kiếm trợ giúp y tế. Chất lỏng thoát ra từ pin có thể gây kích ứng hoặc bỏng.
11. Không sử dụng bộ pin hoặc công cụ bị hỏng hoặc bị sửa. Pin bị hỏng hoặc bị sửa có thể có phản ứng không thể đoán trước dẫn đến cháy, nổ hoặc nguy cơ

thương tật.

12. Không để pin hoặc dụng cụ bị cháy hoặc ở nhiệt độ quá cao. Tiếp xúc với lửa hoặc nhiệt độ trên 130 ° C có thể gây nổ.
13. Làm theo tất cả các hướng dẫn sạc pin và không sạc bộ pin hoặc công cụ ngoài phạm vi nhiệt độ được chỉ định trong hướng dẫn. Sạc không đúng cách hoặc ở nhiệt độ ngoài phạm vi quy định có thể làm hỏng pin và tăng nguy cơ hỏa hoạn.
14. Phích cắm CHÍNHH được sử dụng làm thiết bị ngắt kết nối, và nó vẫn có thể sẵn sàng hoạt động.
15. Không sử dụng sản phẩm ở âm lượng cao trong bất kỳ khoảng thời gian dài nào. Để tránh thiệt hại cho tai, hãy sử dụng sản phẩm ở mức âm lượng vừa phải.
16. (Đối với sản phẩm chỉ có màn hình LCD hiển thị) Màn hình LCD có chất lỏng có thể gây khó chịu và ngộ độc. Nếu chất lỏng xâm nhập vào mắt, miêng hoặc da, hãy rửa mặt bằng nước và gọi bác sĩ.
17. Không để sản phẩm rơi vào tình trạng mưa hoặc ướt. Để nước vào sản phẩm sẽ làm tăng nguy cơ điện giật.
18. Sản phẩm này không dành cho người sử dụng (bao gồm cả trẻ em) có năng lực thể chất, cảm giác hoặc tinh thần suy giảm, hoặc thiếu kinh nghiệm và kiến thức, trừ khi họ được giám sát hoặc hướng dẫn sử dụng sản phẩm bởi người có trách nhiệm về an toàn của sản phẩm. Trẻ em cần được giám sát để đảm bảo rằng chúng không chơi với sản phẩm. Giữ sản phẩm ngoài tầm với của trẻ em.

## LƯU NHỮNG HƯỚNG DẪN SỬ DỤNG NÀY

### CÁC QUY ĐỊNH AN TOÀN ĐẶC BIỆT

#### CHO HỘP PIN

1. Trước khi sử dụng hộp pin, hãy đọc tất cả các hướng dẫn và dấu hiệu cảnh báo trên (1) bộ sạc pin, (2) pin, và (3) sản phẩm sử dụng pin.
2. Không tháo rời hộp pin.
3. Nếu thời gian hoạt động trở nên quá ngắn, ngừng hoạt động ngay lập tức. Nó có thể dẫn đến nguy cơ quá nóng, có thể bị bỏng và thậm chí là một vụ nổ.
4. Nếu chất điện giải rơi vào mắt, hãy rửa sạch bằng nước sạch và tìm sự chăm sóc y tế ngay. Nó có thể dẫn đến mất thị lực của bạn.
5. Không làm ngắn mạch hộp pin:
  - (1) Không chạm các đầu bằng bất kỳ vật liệu dẫn nào.
  - (2) Tránh lưu trữ hộp pin trong hộp chứa cùng với các vật kim loại khác như đinh, đồng xu, v.v.
  - (3) Không để hộp pin bị vào nước hoặc mưa. Ngắn mạch pin có thể gây ra dòng điện lớn, quá nóng, các vết bỏng có thể xảy ra và thậm chí là sự hư hỏng.
6. Không lưu trữ dụng cụ và hộp pin ở những nơi có thể đạt đến nhiệt độ bằng hoặc vượt quá 50 ° C (122 ° F)
7. Không đốt cháy hộp pin ngay cả khi nó bị hư hỏng nặng hoặc bị hỏng hoàn toàn. Hộp pin có thể nổ trong lửa.
8. Luôn thận trọng để rơi hoặc phá hoại pin.
9. Không sử dụng pin bị hỏng.
10. Để tránh rủi ro, cần đọc kỹ hướng dẫn về thay thế pin. Dùng xa tối đa của pin phải lớn hơn hoặc bằng 8A.
11. Pin chứa lithium-ion phải tuân thủ các yêu cầu về Luật

Hàng nguy hiểm Đối với vận tải thương mại ví dụ: bởi các bên thứ ba, các đại lý chuyển tiếp, các yêu cầu đặc biệt về đóng gói và nhãn dán phải được tuân thủ. Để chuẩn bị vật phẩm vận chuyển, cần phải hỏi ý kiến chuyên gia về chất độc hại. Cũng nên xem xét các quy định đối với từng quốc gia cụ thể.

- Quản băng hoặc dán các đầu tiếp xúc hờ và đóng gói pin theo cách mà nó không thể di chuyển trong bao bì.
12. Tuân thủ các quy định của địa phương liên quan đến việc thải loại pin.
  13. Chỉ sử dụng pin với các sản phẩm do Makita chỉ định. Lắp pin cho các sản phẩm không tuân thủ có thể gây ra hỏa hoạn, nóng quá, nổ, hoặc rò rỉ chất điện phân.

**⚠ THẬN TRỌNG:**

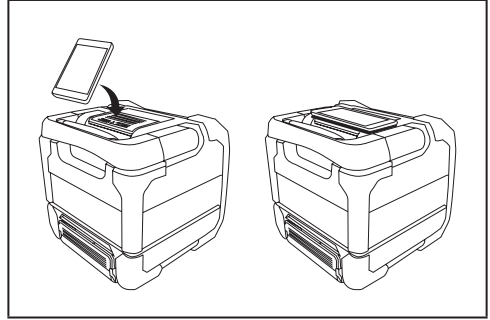
- Có nguy cơ nổ nếu pin bị thay thế không chính xác.
- Chỉ thay thế với pin cùng loại hoặc tương đương.
- Chỉ sử dụng pin Makita chính hãng. Việc sử dụng pin Makita không chính hãng hoặc pin đã bị sửa có thể gây ra tình trạng vỡ pin, gây ra hỏa hoạn, thương tích cá nhân và thiệt hại. Nó cũng sẽ làm mất hiệu lực bảo hành của Makita cho công cụ Makita và bộ sạc.

Mẹo để duy trì tuổi thọ pin tối đa

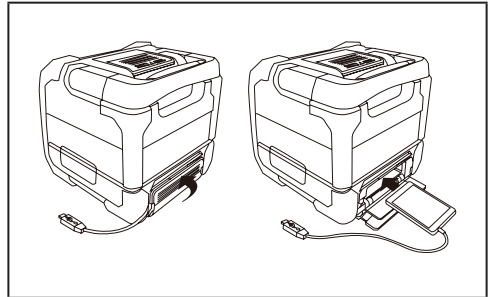
1. Sạc pin trước khi hết pin hoàn toàn. Luôn luôn ngừng hoạt động của dụng cụ và sạc hộp pin khi bạn nhận thấy công suất của dụng cụ giảm xuống.
2. Không bao giờ nạp lại một hộp pin đầy. Sạc quá mức làm giảm tuổi thọ pin.
3. Sạc pin với nhiệt độ phòng ở 10 ° C - 40 ° C (50 ° F - 104 ° F). Để hộp pin nóng nguội trước khi sạc pin.
4. Sạc hộp pin nếu bạn không sử dụng nó trong một thời gian dài (hơn sáu tháng).

**Giải thích tổng quát (Hình 1)**

1. Khoang chứa pin
2. Bảng đặt điện thoại di động (điện thoại di động)



4. Nút tăng âm lượng
4. Nút giảm âm lượng
5. Nút chế độ bật
6. Nút thư mục tiếp
7. Nút chuyển bài tiế/ nút chuyển tiếp nhanh
8. Màn hình LCD
9. Nút Phát/ Tạm dừng
10. Nút quay lại bài trước/Nút tua lại
11. Nút thư mục trước/ Nút ghép đôi Bluetooth
12. Nút nguồn
13. Nút nguồn
14. Loa
15. Cầm tay
16. Ổ cắm vào một chiều
17. Ổ cắm vào phụ trợ
18. Ổ cắm sạc USB
19. Vỏ tủ lưu trữ di động
20. Lỗ cáp
21. Tủ lưu trữ điện thoại di động (điện thoại di động)



22. Đầu pin 14.4 V/18V
23. Đầu pin 0.8 V-12Vmax
24. Ổ cắm USB phát lại
25. Vỏ Pin
26. Hộp Pin
27. Nút

## Năng lượng

Loa có thể được cấp năng lượng bởi bộ pin Makita hoặc một ổ cắm tường tiêu chuẩn.

## Năng lượng bằng pin

Khi "LOW BATTERY" (PIN YẾU) hiển thị trên màn hình, vui lòng thay pin khác.

Bảng sau cho biết thời gian vận hành trên một lần sạc.

Dung lượng pin	Điện áp hộp pin			TẠI ĐẦU RA LOA =100mW Đơn vị: Giờ (Ước tính)			
	10.8V-12Vmax	14.4V	18V	USB phát lại	Bluetooth	ĐẦU VÀO PHỤ	USB phát lại + Sạc USB(2.1A)
1.3Ah		BL1415		3.5	5.5	5.5	1.0
			BL1815	4.0	6.0	6.0	1.2
1.5Ah	BL1015 BL1016			5.5	7.5	9.0	0.9
		BL1415N		5.0	7.0	7.0	1.3
			BL1815N	5.5	7.5	7.5	1.4
2.0Ah	BL1020B BL1021B			7.5	10	11	1.1
			BL1820(B)	7.0	10	10	1.9
3.0Ah		BL1430(B)		8.0	12	12	2.2
			BL1830(B)	10	14	14	2.7
4.0Ah	BL1040B BL1041B			14	20	23	2.2
		BL1440		13	19	19	3.5
			BL1840(B)	14	20	20	3.5
5.0Ah		BL1450		16	23	23	4.0
			BL1850(B)	18	26	26	4.5
6.0Ah		BL1460B		17	25	25	4.5
			BL1860B	22	32	32	5.5

**⚠ CẢNH BÁO:** Chỉ sử dụng các hộp pin được liệt kê ở trên: Việc sử dụng các hộp pin khác có thể gây ra chấn thương và / hoặc hỏa hoạn.

**Chú ý:** Bảng liên quan đến thời gian sử dụng của pin chỉ để tham khảo Thời gian vận hành thực sự của pin có thể khác nhau tùy thuộc vào loại pin, điều kiện sạc, hoặc môi trường sử dụng.

## Lắp đặt hoặc tháo hộp pin trượt (Hình. 3 và 4)

- Để lắp hộp pin, hãy để thẳng bề mặt của hộp pin với rãnh và trượt nó vào vị trí Luôn luôn đẩy nó vào hết cho đến khi nó khóa vào đúng vị trí với một tiếng khộp nhẹ.
- Nếu bạn có thể thấy chỉ báo màu đỏ ở phía trên nút, nó sẽ chưa bị khóa hoàn toàn. Lắp đặt nó cho đến khi không còn chỉ báo màu đỏ. Nếu không, nó sẽ vô tình rơi ra khỏi thiết bị, gây thương tích cho bạn hoặc người xung quanh.
- Không sử dụng lực để lắp hộp pin. Nếu hộp không

trượt vào dễ dàng, có nghĩa bạn lắp chưa chính xác.

- Để tháo hộp pin, trượt nó ra khỏi thiết bị trong khi nhấn nút phía trước hộp mực.

### QUAN TRỌNG:

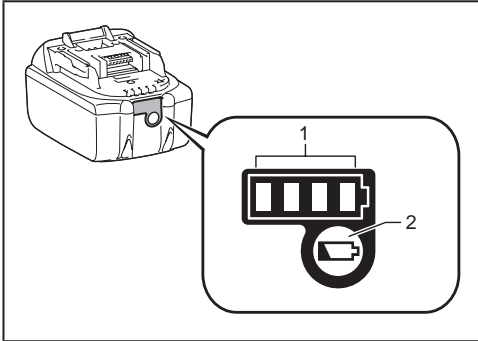
- Cần cẩn thận không để kẹp ngón tay của bạn khi đóng nắp pin.

### Chú ý:

Khi loa bị yếu pin, "LOW BATTERY" sẽ hiển thị và nhấp nháy trên LCD.

## Hiển thị dung lượng pin còn lại

Chỉ dành cho hộp pin với ký tự “B” tại cuối dây số model



▶ 1. Đèn hiển thị 2. Nút kiểm tra  
Nhấn nút kiểm tra trên hộp pin để hiển thị dung lượng pin còn lại. Đèn hiển thị sẽ sáng trong vòng vài giây.

### • Pin 14.4V/18V

Thiết bị hiển thị hoặc đèn			Dung lượng còn lại
Sáng	Tắt	Nhấp nháy	
			75% ~ 100%
			50% ~ 75%
			25% ~ 50%
			0% ~ 25%
			Sạc pin
			Pin có thể bị hỏng

### • Pin tối đa 10.8V-12V

Thiết bị hiển thị hoặc đèn			Dung lượng còn lại
Sáng	Tắt	Nhấp nháy	
			75% ~ 100%
			50% ~ 75%
			25% ~ 50%



**CHÚ Ý:** Tùy thuộc vào điều kiện sử dụng và nhiệt độ môi trường xung quanh, chỉ thị có thể khác một chút so với dung lượng thực tế.

## Sử dụng bộ sạc nguồn điện AC đã cung cấp (Hình. 5)

Tháo nắp bảo vệ cao su và lắp vào bộ đổi nguồn DC ở bên phải loa. Cắm bộ sạc vào ổ cắm điện nguồn tiêu chuẩn. Khi nào bộ sạc được sử dụng, bộ pin sẽ tự động ngắt kết nối. Bộ sạc AC nên được ngắt khỏi nguồn chính khi không sử dụng.

### QUAN TRỌNG:

- Bộ đổi nguồn được sử dụng làm phương tiện kết nối loa với nguồn điện chính. Ổ cắm nguồn được sử dụng cho loa phải tiếp tục được sử dụng trong khi sử dụng bình thường. Để ngắt kết nối loa khỏi nguồn điện, cần tháo bộ đổi nguồn ra khỏi ổ cắm điện.
- Sử dụng bộ đổi nguồn AC được cung cấp với các sản phẩm hoặc do Makita chỉ định.
- Không giữ dây cáp nguồn ra khỏi ổ cắm điện.
- Không chạm vào phích cắm điện khi tay ướt hoặc nhờn.
- Nếu dây điện bị hư hỏng, hãy thay thế bởi trung tâm dịch vụ được ủy quyền của chúng tôi để tránh nguy cơ về an toàn. Không sử dụng nó trước khi sửa chữa.
- Sau khi sử dụng, luôn luôn giữ bộ đổi nguồn AC khỏi tầm với của trẻ em. Nếu trẻ em chơi với dây điện, chúng có thể bị thương.

## Ổ cắm điện USB

Cổng này có thể được sử dụng để sạc điện thoại di động hoặc bất kỳ thiết bị nào khác sử dụng ít hơn 2.1A dòng DC. Quá trình sạc sẽ hoạt động khi loa đã được bật.

**Chú ý:** Đảm bảo các đặc điểm kỹ thuật của thiết bị bên ngoài của bạn như điện thoại di động, máy nghe nhạc mp3 hoặc iPod tương thích với loa. Vui lòng đọc hướng dẫn sử dụng của thiết bị bên ngoài trước khi sạc.

### QUAN TRỌNG:


- Trước khi kết nối thiết bị USB với sạc, luôn luôn phải sao lưu dữ liệu USB. Nếu không dữ liệu của bạn có thể bị mất do bất kỳ khả năng nào.
- Bộ sạc có thể không cung cấp điện cho một số thiết bị USB.
- Khi không sử dụng hoặc sau khi sạc pin, cần tháo cáp USB và đẩy nắp.
- Không kết nối nguồn điện với cổng USB. Nếu không sẽ dẫn đến nguy hiểm về cháy nổ. Cổng USB chỉ dùng cho các thiết bị điện áp thấp. Luôn luôn đóng nắp cổng USB khi không sạc thiết bị điện áp thấp hơn.
- Không chèn móng tay, dây điện, vv vào cổng USB. Nếu không ngăn mạch có thể gây ra khói và lửa.
- Không kết nối ổ cắm USB này vào cổng USB máy tính cá nhân của bạn, vì nó có thể khả năng cao gây ra các hư hỏng đối với các linh kiện.

## Ghép đôi và kết nối thiết bị với loa

Bạn cần ghép đôi thiết bị Bluetooth của bạn với loa trước khi có thể tự động liên kết để phát/ truyền nhạc từ Bluetooth qua loa. Việc ghép đôi tạo ra một 'ràng buộc' để hai thiết bị có thể nhận ra nhau.

Để có chất lượng âm thanh tốt hơn, chúng tôi khuyên bạn nên cài đặt âm lượng lớn hơn hai phần ba mức độ trên thiết bị Bluetooth của bạn và sau đó chỉnh sửa âm lượng trên loa như yêu cầu.

## Ghép đôi và phát Bluetooth của bạn lần đầu tiên


1. Nhấn vào nút Nguồn  để bật loa và "GHÉP BT" sẽ xuất hiện trên hiển thị để hiển thị đã tìm thấy loa.
2. Kích hoạt Bluetooth trên thiết bị của bạn theo hướng dẫn sử dụng của thiết bị để liên kết với loa. Tìm danh sách thiết bị Bluetooth và chọn thiết bị có tên là "DMR202" với một số điện thoại di động (được trang bị ở các phiên bản sớm hơn thiết bị Bluetooth BT2.1), bạn có thể phải nhập mã mật khẩu "0000".
3. Sau khi kết nối, sẽ có tiếng bíp và màn hình sẽ hiển thị "KẾT NỐI BT". Bạn chỉ cần chọn và phát bất kỳ nhạc nào từ thiết bị nguồn của bạn. Điều khiển âm lượng có thể được điều chỉnh từ thiết bị nguồn của bạn, hoặc trực tiếp từ loa.
4. Sử dụng điều khiển trên thiết bị Bluetooth của bạn hoặc trên loa để phát/ tạm dừng và tìm vị trí của bài hát.





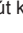
### Chú ý:

1. Nếu 2 thiết bị Bluetooth cùng kết nối cùng lúc, cả hai đều tìm kiếm loa, nó sẽ hiển thị trên cả hai thiết bị. Tuy nhiên, nếu một thiết bị kết nối với loa trước tiên, thì thiết bị kia sẽ không tìm thấy nó trong danh sách.
2. Nếu thiết bị Bluetooth của bạn tạm thời ngắt kết nối với loa, bạn cần phải kết nối lại thiết bị của bạn với loa một lần nữa.
3. Nếu 'DMR202' hiển thị trong danh sách thiết bị Bluetooth nhưng thiết bị của bạn không thể kết nối với nó, đề nghị xóa nó khỏi danh sách của bạn và ghép thiết bị với loa một lần nữa theo từng bước mô tả trước đây.
4. Khoảng hoạt động hiệu quả giữa hệ thống và thiết bị ghép nối khoảng 10 mét (30 feet). Bất kỳ trở ngại nào giữa hệ thống và thiết bị có thể làm giảm phạm vi hoạt động.
5. Hiệu suất kết nối Bluetooth có thể khác nhau tùy thuộc vào các thiết bị Bluetooth được kết nối. Vui lòng tham khảo các tính năng Bluetooth của điện thoại trước khi kết nối với loa. Tất cả các tính năng có thể không được hỗ trợ trên một số thiết bị Bluetooth được ghép nối.

## Phát tập tin âm thanh trong Bluetooth chế độ

Khi bạn kết nối thành công loa với thiết bị Bluetooth đã chọn, bạn có thể bắt đầu phát nhạc sử dụng điều khiển trên thiết bị Bluetooth đã được kết nối.

1. Khi việc phát nhạc đã bắt đầu, chỉnh sửa âm lượng theo cài đặt đã yêu cầu bằng việc sử dụng nút Âm lượng  trên loa hoặc trên thiết bị Bluetooth đã bật của bạn.

2. Khi bạn nhấn nút tăng âm lượng/ Giảm âm lượng, nút hiển thị âm lượng sẽ nhấp nháy màu đỏ nhanh. Nếu đèn hiển thị màu đỏ đậm, nó sẽ hiển thị lưu lượng đạt mức tối đa hoặc mức tối thiểu.
3. Sử dụng điều khiển trên thiết bị của bạn để phát/ tạm dừng và chuyển các bài hát. Ngoài ra, kiểm soát việc phát lại bằng cách sử dụng nút Phát/Tạm dừng , Bài tiếp , Bài trước  trên loa.
4. Nhấn và giữ Nút Bài tiếp  hoặc Bài trước  để tua nhanh/ tua lại bài hát hiện tại. Nhấn nút khi đạt được bài hát mong muốn.


### Chú ý:

1. Không phải tất cả các ứng dụng hoặc thiết bị của người chơi có thể đáp ứng tất cả các điều khiển này.
2. Một số điện thoại di động có thể tạm ngắt kết nối khỏi loa khi bạn thực hiện hoặc nhận cuộc gọi. Một số thiết bị có thể tạm thời tắt âm thanh Bluetooth khi họ nhận được tin nhắn văn bản, email hoặc vì những lý do khác không liên quan đến luồng âm thanh. Hành vi này là một chức năng của thiết bị kết nối và không hiển thị lỗi với loa.
3. Màn hình không hiển thị thông tin như tên bài, nghệ sĩ, album... khi phát ở chế độ Bluetooth.
4. Không sử dụng chức năng chế độ phát lại (Lặp lại/Ngẫu nhiên) trong chế độ Bluetooth.

## Bộ nhớ loa và kết nối lại với thiết bị

Bộ loa có thể ghi nhớ tối đa 8 bộ thiết bị đã ghép nối, khi bộ nhớ vượt quá số lượng này, lịch sử ghép nối lần gần nhất sẽ được ghi. Nếu thiết bị Bluetooth của bạn đã ghép nối với loa trước đó, thiết bị sẽ ghi nhớ thiết bị Bluetooth của bạn và nó cố gắng kết nối lại với thiết bị trong bộ nhớ được kết nối lần cuối. Nếu thiết bị kết nối cuối cùng không có sẵn, sẽ tìm kiếm loa.

## Ngắt kết nối với thiết bị Bluetooth

Nhấn và giữ nút ghép đôi Bluetooth  trong 2-3 giây để ngắt kết nối với thiết bị Bluetooth của bạn. Đèn hiển thị sẽ nhấp nháy màu xanh dương hiển thị đã tìm thấy loa để ghép.

## Phát nhạc thông qua ổ cắm đầu vào phụ

Ổ cắm đầu vào phụ 3.5mm được cung cấp ở phía bên phải của thiết bị để cho phép đưa tín hiệu âm thanh vào thiết bị từ bất kỳ thiết bị nào có tai nghe hoặc đầu ra âm thanh, chẳng hạn như máy nghe nhạc iPod, MP3 hoặc CD.

1. Kết nối nguồn âm thanh nổi hoặc nguồn âm thanh đơn (ví dụ máy nghe nhạc iPod, MP3 hoặc CD) vào đầu vào phụ (đánh dấu 'AUX') và Aux trên đèn hiển thị chuyển màu xanh lá cây cho biết loa đang ở chế độ đầu vào phụ.
2. Chỉnh sửa điều khiển Âm lượng trên iPod, MP3 or máy nghe nhạc CD của bạn để đảm bảo một tín hiệu đầy đủ và sau đó điều chỉnh âm lượng trên loa để nghe thoải mái.
3. Để có chất lượng âm thanh tốt hơn, chúng tôi đề xuất cài đặt âm lượng lớn hơn hai phần ba mức độ trên thiết bị âm thanh của bạn và chỉnh âm lượng trên loa theo yêu cầu.

### Chú ý:

1. Khi đầu vào Phụ được kết nối với thiết bị âm thanh, loa sẽ được chuyển từ chế độ Bluetooth sang chế độ đầu vào phụ. Bạn cũng có thể nhấn nút nguồn để chọn chế độ bạn muốn.
2. Màn hình không hiển thị thông tin như tên bài, nghệ sĩ, album... khi phát qua ổ cắm đầu vào aux.
3. Không thể điều khiển chế độ phát lại hoặc phát bằng các nút trên loa, khi phát qua ổ cắm đầu vào aux.

## Sử dụng thiết bị ghi nhớ USB

### Quan trọng:

1. Bộ loa của bạn chỉ được thiết kế để làm việc với thiết bị lưu trữ USB flash. Nó không được dùng để kết nối với đĩa cứng hoặc bất kỳ loại nào khác hoặc bất kỳ thiết bị USB nào khác.
2. Có thể sử dụng thẻ nhớ SD hoặc SDHC để phát lại các tệp tin giải trí khi được giữ trong bộ chuyển đổi USB thích hợp. Tuy nhiên, do sự đa dạng của các bộ chuyển đổi, không thể đảm bảo rằng tất cả các bộ chuyển đổi/ kết hợp thẻ sẽ làm việc với loa.
3. Loa đã được thử nghiệm với một loạt các thiết bị lưu trữ USB có dung lượng lên đến 32GB. Nó hỗ trợ tốc độ USB 2.0 và USB 3.0. (Lưu ý: khi sử dụng USB 3.0, đề nghị cho phép loa dò tìm thiết bị trong khoảng thời gian dài hơn.)
4. Thiết bị lưu trữ USB phải sử dụng FAT hoặc FAT 32 để sắp xếp hệ thống nhằm hoạt động với loa nó không hỗ trợ NTFS.
5. Các định dạng âm thanh được hỗ trợ để phát lại là MP3, WMA và AAC. Không hỗ trợ phát lại các tệp được mã hoá sử dụng WMA lossless, WMA Voice, WMA 10 chuyên nghiệp, cũng như các tệp ở bất kỳ định dạng nào có bảo vệ DRM.

### ⚠️ Thận trọng:

1. Để giảm thiểu rủi ro thiệt hại cho loa của bạn, USB của bạn, hãy đặt loa để thiết bị không thể dễ dàng bị va chạm khi được đưa vào ổ cắm.
2. Tháo USB trước khi di chuyển loa hoặc nếu không sử dụng USB trong một thời gian.
3. Tắt loa trước khi tháo thiết bị lưu trữ USB của bạn.
4. Việc kết nối USB chỉ dành cho các thiết bị lưu trữ flash. Việc sử dụng ổ đĩa cứng không được hỗ trợ.
5. Phát lại thông qua tập tin USB chứa trong máy phát MP3 không được đảm bảo.
6. Tập tin lớn hoặc thiết bị lưu trữ USB bộ nhớ cao sẽ mất nhiều thời gian để đọc.

## Phát các tập tin từ thiết bị ghi nhớ USB

1. Mở nắp đậy pin và lắp thiết bị lưu trữ USB vào khe cắm USB nằm trong khoang chứa pin. Đậy nắp pin.
2. Nhấn nút nguồn **I** để bật loa và chữ 'Đọc' sẽ xuất hiện và nhảy trên màn hình LCD. Sau đó, loa sẽ vào chế độ USB và bắt đầu phát từ thiết bị bộ nhớ USB. Màn hình sẽ hiển thị số thư mục và số tệp, ví dụ: 'F001 T0001'. Loa cũng hiển thị các văn bản chuyển động (chẳng hạn như tiêu đề, nghệ sĩ, album vv) khi có thông tin.

### Chú ý:

- a) Văn bản mã hóa chỉ hỗ trợ UNICODE, nếu các tệp USB chứa văn bản mã hóa khác UNICODE, các văn

bản cuộn sẽ xuất hiện sai.

- b) Khi thiết bị lưu trữ USB được cắm vào, loa sẽ tự động nhập vào chế độ USB. Bạn cũng có thể nhấn nút nguồn để chọn chế độ bạn muốn nếu cần.
3. Để dừng phát, ấn vào nút Bật/Tạm dừng **▶||**. Để tiếp tục phát, nhấn nút Bật/Tạm dừng **▶||** một lần nữa.

### Chú ý:

- a) Nếu bạn tắt loa, lần tiếp theo khi loa được bật, nó sẽ tiếp tục lại bài hát cuối cùng.
- b) Nếu bạn chuyển sang chế độ khác khi phát từ thiết bị bộ nhớ USB, việc phát lại sẽ tạm dừng. Khi bạn chuyển sang chế độ USB một lần nữa, phát lại sẽ tiếp tục từ thời điểm đã bị tạm dừng.
- c) Chỉ nên lưu trữ các tệp tin nhạc (MP3 / WMA / AAC) trong thiết bị lưu trữ USB của bạn. Nếu có một thư mục chứa các tệp tin khác với tệp nhạc, loa của bạn sẽ bỏ qua tệp / thư mục này và số tệp tin/thư mục hiển thị trên màn hình sẽ không liên tiếp.

## Chọn 1 tập tin

1. Khi thiết bị lưu trữ USB đang hoạt động, nhấn nút **▶▶** hoặc nút Bài trước **◀◀** để chuyển sang tệp tin mong muốn. Số tập tin sẽ được cập nhật trên màn hình hiển thị. Nếu có nhiều hơn 1 thư mục, tất cả các tập tin trong thư mục hiện tại đang được phát và thư mục tiếp theo sẽ được phát.
2. Nhấn và giữ nút Bài tiếp **▶▶** hoặc nút Bài trước **◀◀** để tua nhanh hoặc quay lại bài hát hiện tại. Nhả nút khi đạt đến bài hát mong muốn.

## Nhấn bỏ qua để đến thư mục khác

Với thiết bị lưu trữ USB ở chế độ tạm dừng hoặc phát, bấm và nhả nút Thư mục tiếp theo **▶**, hoặc nút Thư mục trước **◀**. Tập tin đầu tiên của thư mục kế tiếp hoặc Thư mục trước sẽ được phát.

### Chú ý:

Nếu USB của bạn chưa các thư mục rỗng, thiết bị sẽ bỏ qua thư mục này và phát các tập tin trong thư mục tiếp theo.

## Chế độ phát

Khi đang phát các tập tin trong thiết bị lưu trữ USB, nhấn và nhả nút Phát lại/ Ngẫu nhiên để chọn.

**Repeat 1:** phát lại tập tin mà bạn đang nghe.

**Repeat Folder:** Phát lại các tập tin trong cùng thư mục mà bạn đang nghe.

**Random:** nó sẽ phát các tập tin trong USB một cách ngẫu nhiên.

**Repeat All:** phát lại các thư mục trong USB.

## BẢO DƯỠNG

### ⚠️ THẬN TRỌNG:

- Không bao giờ sử dụng xăng, xăng, chất pha loãng, cồn hoặc tương tự. Có thể dẫn đến thay đổi màu, biến dạng hoặc vết nứt.

## THÔNG SỐ KỸ THUẬT

### Bộ tăng âm

Nguồn ra	10.8V-12Vmax:3W 14.4V:6W 18V:10W
Dải tần	50Hz~20kHz
<b>Đầu vào phụ</b>	
Độ nhạy âm lượng đầu vào	250mVrms @100Hz
<b>Loa</b>	
Loa chính	101.6mm 8ohm 10W
Loa tweeter	36mm 8ohm 10W

### Bluetooth

(Dấu hiệu từ và logo Bluetooth® là thương hiệu đã đăng ký của Bluetooth SIG, Inc.)

Phiên bản Bluetooth	4.0
Mô tả Bluetooth	A2DP SCMS-T AVRCP
Công suất truyền	Công suất mức 2
Cự ly truyền	Tối đa 10m (thay đổi theo điều kiện sử dụng)
Thiết bị hỗ trợ	SBC
Mô tả Bluetooth tương thích	A2DP
Công suất tần số radio lớn nhất	BT EDR: 3.88dBm BT LE: -1.4dBm
Tần suất hoạt động	2402MHz~2480MHz

### Ổ cắm phát lại USB

Các tiêu chuẩn USB	USB3.0 / USB2.0
Hệ thống tệp tin tương thích	FAT 32/16/12
Định dạng âm thanh có thể phát	MP3 / WMA / AAC
Dòng điện lớn nhất	500 mA (Max)

### Chung

Bộ đổi nguồn AC	DC in 12V 1.5A, center pin positive
Pin	Pin trượt: 10.8 V-12Vmax 14.4 V 18 V
Kích thước(W x H x D)	211 mm x 206 mm x 199 mm
Khối lượng	2.7KG (không có pin)

Công ty có quyền chỉnh sửa thông số kỹ thuật mà không cần thông báo.

**Makita Europe N.V.**

Jan-Baptist Vinkstraat 2,  
3070 Kortenberg, Belgium

**Makita Corporation**

3-11-8, Sumiyoshi-cho,  
Anjo, Aichi 446-8502 Japan



## ENGLISH

### Annex A: EC Declaration of Conformity

We as the manufacturers: **Makita Europe N.V.**, Business address: **Jan-Baptist Vinkstraat 2, 3070 Kortenberg, BELGIUM**. Authorize **Yasushi Fukaya** for the compilation of the technical file and declare under our sole responsibility that the product(s); Designation: **Cordless Job Site Speaker**. Designation of Type(s): **DMR202**. Fulfills all the relevant provisions of 2014/53/EU and also fulfills all the relevant provisions of the following EC/EU Directives: **2009/125/EC, 2011/65/EU**.

EC type-examination for 2014/53/EU; Notified Body: **Telefication B.V.,Edisonstraat 12A 6902 PK Zevenaar, The Netherlands**, Identification number: **0560**, Certificate number: **172141277/AA/00**, and are manufactured in accordance with the following Harmonized Standards: **EN 300 328 V2.1.1:2016, EN 301 489-1 V2.1.1:2017, EN 301 489-17 V3.1.1:2017, EN 60065:2014+AC:2016, EN 55032:2015+AC:2016, EN 55020:2007+A11:2011, EN 62479:2010, EN 50581:2012**

Place of declaration: **Kortenberg, Belgium**. Responsible person:**Yasushi Fukaya, Director - Makita Europe N.V.** (Designation of Type, serial number (S/N), date and signature on the last page)

## FRANÇAIS

### Annexe A : Déclaration de conformité CE

Nous, les fabricants : **Makita Europe N.V.**, Adresse professionnelle : **Jan-Baptist Vinkstraat 2, 3070 Kortenberg, BELGIQUE**. Autorisons **Yasushi Fukaya** pour la compilation du dossier technique et déclarons sous notre seule responsabilité que le (s) produit (s) ; Désignation : **Enceinte de chantier sans fil**. Désignation du (des) type (s) : **DMR202**. S'acquitte de toutes les dispositions de 2014/53/EU et remplit également toutes les dispositions pertinentes des Directives CE / UE : **2009/125/EC, 2011/65/EU**.

Examen de type CE pour 2014/53/EU; Organisme notifié : **Telefication B.V.,Edisonstraat 12A 6902 PK Zevenaar, Les Pays-Bas**, Numéro d'identification : **0560**, Numéro de certificat : **172141277/AA/00**, et sont fabriqués conformément aux normes harmonisées suivantes : **EN 300 328 V2.1.1:2016, EN 301 489-1 V2.1.1:2017, EN 301 489-17 V3.1.1:2017, EN 60065:2014+AC:2016, EN 55032:2015+AC:2016, EN 55020:2007+A11:2011, EN 62479:2010, EN 50581:2012**

Lieu de la déclaration : **Kortenberg, Belgique**. Personne responsable :**Yasushi Fukaya, Directeur - Makita Europe N.V.** (Désignation du Type, numéro de série (S/N), date et signature à la dernière page)

## DEUTSCH

### Anhang A: EG-Konformitätserklärung

Wir, der Hersteller: **Makita Europe N.V.**, Geschäftsadresse: **Jan-Baptist Vinkstraat 2, 3070 Kortenberg, BELGIEN**, autorisieren **Yasushi Fukaya** zur Erstellung der technischen Dokumentation und erklären in alleiniger Verantwortung, dass das Produkt/ die Produkte mit der Produktbezeichnung: **Kabelloser Lautsprecher** und Typenbezeichnung: **DMR202** alle geltenden Anforderungen gemäß 2014/53/EU und alle geltenden Anforderungen der EG/EU-Richtlinien: **2009/125/EC, 2011/65/EU**.

EG-Baumusterprüfung für 2014/53/EU; Benannte Stelle: **Telefication B.V.,Edisonstraat 12A 6902 PK Zevenaar, Die Niederlande**, Identifizierungsnummer: **0560**, Zertifikatsnummer: **172141277/AA/00**, erfüllt und gemäß den folgenden harmonisierten Normen hergestellt wurde: **EN 300 328 V2.1.1:2016, EN 301 489-1 V2.1.1:2017, EN 301 489-17 V3.1.1:2017, EN 60065:2014+AC:2016, EN 55032:2015+AC:2016, EN 55020:2007+A11:2011, EN 62479:2010, EN 50581:2012**

Ort der Erklärung: **Kortenberg, Belgien**. Verantwortliche Person: **Yasushi Fukaya, Geschäftsleiter - Makita Europe N.V.** (Typenbezeichnung, Seriennummer (S/N), Datum und Unterschrift auf der letzten Seite)

## ITALIANO

### Allegato A: Dichiarazione di Conformità CE

Noi in qualità di produttori: **Makita Europe N.V.**, Indirizzo ufficiale: **Jan-Baptist Vinkstraat 2, 3070 Kortenberg, Belgio**. Autorizziamo **Yasushi Fukaya** alla compilazione della scheda tecnica e dichiariamo sotto la nostra unica responsabilità che il prodotto/i; Designazione: **Altoparlante da Cantiere Senza Fil**. Designazione del Tipo/i: **DMR202**, è conforme ai requisiti previsti dalla direttiva CE 2014/53/EU ed è altresì conforme ai requisiti previsti dalle seguenti direttive CE/UE: **2009/125/EC, 2011/65/EU**.

Esame di tipo europeo 2014/53/EU; Ente Notificato: **Telefication B.V.,Edisonstraat 12A 6902 PK Zevenaar,Paesi Bassi**, Numero Identificativo: **0560**, Numero del certificato: **172141277/AA/00**, e sono prodotti in conformità alle seguenti Norme Armonizzate: **EN 300 328 V2.1.1:2016, EN 301 489-1 V2.1.1:2017, EN 301 489-17 V3.1.1:2017, EN 60065:2014+AC:2016, EN 55032:2015+AC:2016, EN 55020:2007+A11:2011, EN 62479:2010, EN 50581:2012**

Luogo della dichiarazione: **Kortenberg, Belgio**. Persona responsabile: **Yasushi Fukaya, Direttore - Makita Europe N.V.** (Designazione del tipo, numero di serie (S/N), data e firma sull'ultima pagina)

## NEDERLANDS

### Bijlage A: EG-conformiteitsverklaring

Wij als fabrikant: **Makita Europe N.V.**, zakelijk adres: **Jan-Baptist Vinkstraat 2, 3070 Kortenberg, België**. machtigen **Yasushi Fukaya** voor de samenstelling van het technische dossier en verklaren onder onze eigen verantwoordelijkheid dat het/de product(en); Naam: **Draadloze werkluidspreker**. Naam type(s): **DMR202**. Voldoet aan alle relevante bepalingen van 2014/53/EU en aan alle relevante bepalingen van de volgende Europese richtlijnen: **2009/125/EC, 2011/65/EU**.

EG-typeonderzoek voor 2014/53/EU; Aangemelde instantie: **Telefication B.V.,Edisonstraat 12A 6902 PK Zevenaar, Nederland**, Identificatienummer: **0560**, Certificatienummer: **172141277/AA/00**, en worden vervaardigd in overeenstemming met de volgende geharmoniseerde normen: **EN 300 328 V2.1.1:2016, EN 301 489-1 V2.1.1:2017, EN 301 489-17 V3.1.1:2017, EN 60065:2014+AC:2016, EN 55032:2015+AC:2016, EN 55020:2007+A11:2011, EN 62479:2010, EN 50581:2012**

Plaats van de verklaring: **Kortenberg, België**. Verantwoordelijke persoon: **Yasushi Fukaya, Directeur - Makita Europe N.V.** (Typeaanduiding, serienummer (S/N), datum en handtekening op de laatste pagina)

## ESPAÑOL

### Anexo A: Declaración de conformidad CE

Nosotros como los fabricantes: **Makita Europe N.V.**, Dirección comercial: **Jan-Baptist Vinkstraat 2, 3070 Kortenberg, Bélgica**. Autorizamos a **Yasushi Fukaya** para la compilación del expediente técnico y declaramos bajo nuestra única responsabilidad que el (los) producto(s); Designación: **Altavoz Inalámbrico de Trabajo**. Designación de tipo(s): **DMR202**. Cumple con todas las disposiciones pertinentes de la 2014/53/EU y también cumple con todas las disposiciones pertinentes de las siguientes Directivas CE/UE: **2009/125/EC, 2011/65/EU**.

Examen de tipo CE para 2014/53/EU; Organismo notificado: **Telefication B.V.,Edisonstraat 12A 6902 PK Zevenaar, Los Países Bajos**, Número de identificación: **0560**, Número de certificado: **172141277/AA/00**, y se fabrican de conformidad con las siguientes normas armonizadas: **EN 300 328 V2.1.1:2016, EN 301 489-1 V2.1.1:2017, EN 301 489-17 V3.1.1:2017, EN 60065:2014+AC:2016, EN 55032:2015+AC:2016, EN 55020:2007+A11:2011, EN 62479:2010, EN 50581:2012**

Lugar de declaración: **Kortenberg, Bélgica**. Persona responsable: **Yasushi Fukaya, Director - Makita Europe N.V.** (Designación del tipo, número de serie (S/N), fecha y firma en la última página)

## PORTUGUÊS

### Anexo A: Declaração de Conformidade CE

Nós, os fabricantes: **Makita Europe N.V.**, Endereço comercial: **Jan-Baptist Vinkstraat 2, 3070 Kortenberg, BÉLGICA**. Autoriza **Yasushi Fukaya** para a compilação do dossiê técnico e declarar sob a nossa exclusiva responsabilidade do(s) produto(s); Designação: **Alto-Falante Portátil a Bateria para Ambientes de Trabalho**. Designação do(s) Tipo(s): **DMR202**. Cumpre todas as disposições pertinentes do 2014/53/EU e também preenche todas as disposições pertinentes das seguintes diretivas CE/UE: **2009/125/EC, 2011/65/EU**.

Exame CE do tipo para 2014/53/EU; Organismo notificado: **Telefication B.V.,Edisonstraat 12A 6902 PK Zevenaar, Holanda**, Número de identificação: **0560**, Número do certificado: **172141277/AA/00**, e são fabricados de acordo com as seguintes Normas Harmonizadas: **EN 300 328 V2.1.1:2016, EN 301 489-1 V2.1.1:2017, EN 301 489-17 V3.1.1:2017, EN 60065:2014+AC:2016, EN 55032:2015+AC:2016, EN 55020:2007+A11:2011, EN 62479:2010, EN 50581:2012**

Local de declaração: **Kortenberg, Bélgica**. Pessoa responsável: **Yasushi Fukaya, Diretor - Makita Europe N.V.** (Designação do Tipo, número de série (S/N), data e assinatura na última página)

## DANSK

### Bilag A: EU-overensstemmelseserklæring

Vi, producenterne: **Makita Europe N.V.**, virksomhedsadresse: **Jan-Baptist Vinkstraat 2, 3070 Kortenberg, BELGIEN**. bemyndiger **Yasushi Fukaya** til at udarbejde den tekniske dokumentation og erklærer på eget ansvar, at produktet (produkterne); betegnelse: **Trådløs højttaler til arbejdspladser**. Betegnelse af type(r): **DMR202**. Opfylder alle relevante krav i 2014/53/EU og desuden opfylder de relevante krav i følgende EF/EU-direktiver: **2009/125/EC, 2011/65/EU**.

EF-typeundersøgelse for 2014/53/EU; Bemyndiget organ: **Telefication B.V.,Edisonstraat 12A 6902 PK Zevenaar, Holland**, identifikationsnummer: **0560**, certifikatnummer: **172141277/AA/00**, og er fremstillet i overensstemmelse med følgende harmoniserede standarder: **EN 300 328 V2.1.1:2016, EN 301 489-1 V2.1.1:2017, EN 301 489-17 V3.1.1:2017, EN 60065:2014+AC:2016, EN 55032:2015+AC:2016, EN 55020:2007+A11:2011, EN 62479:2010, EN 50581:2012**

Sted for erklæringen: **Kortenberg, Belgien**. Ansvarshavende person: **Yasushi Fukaya, direktør - Makita Europe N.V.** (typebetegnelse, serienummer (S/N), dato og underskrift på sidste side)

## ΕΛΛΗΝΙΚΑ

### Παράρτημα Α: Δήλωση συμμόρφωσης ΕΚ

Εμείς ως κατασκευαστές: **Makita Europe N.V.**, Διεύθυνση επιχείρησης: **Jan-Baptist Vinkstraat 2, 3070 Kortenberg, ΒΕΛΓΙΟ**. Εξουσιοδοτούμε τον **Yasushi Fukaya** για την κατάρτιση του τεχνικού φακέλου και δηλώνουμε φέρωντας την αποκλειστική ευθύνη ότι το(α) προϊόν(τα) : Ονομασία: **Ασύρματο ηχείοεργοστάθιο**. Ονομασία τύπου(ων): **DMR202**. Πληροί όλες τις σχετικές διατάξεις της 2014/53/EU και πληροί επίσης όλες τις σχετικές διατάξεις των ακόλουθων οδηγιών EC/ΕU: **2009/125/ΕC, 2011/65/ΕU**.

Εξέταση τύπου ΕΚ 2014/53/EU: Κοινοποιημένος οργανισμός: **Telefication B.V.,Edisonstraat 12A 6902 PK Zevenaar, Ολλανδία**, Αριθμός αναγνώρισης: **0560**, Αριθμός πιστοποίησης: **172141277/AA/00**, και έχουν κατασκευαστεί σύμφωνα με τα εξής εναρμονισμένα πρότυπα: **EN 300 328 V2.1.1:2016, EN 301 489-1 V2.1.1:2017, EN 301 489-17 V3.1.1:2017, EN 60065:2014+AC:2016, EN 55032:2015+AC:2016, EN 55020:2007+A11:2011, EN 62479:2010, EN 50581:2012**

Τόπος δήλωσης: **Kortenberg, Βέλγιο**. Υπεύθυνο πρόσωπο: **Yasushi Fukaya, Διευθυντής - Makita Europe N.V.** (Ορισμός τύπου, αριθμός σειράς (S/N), ημερομηνία και υπογραφή στην τελευταία σελίδα)

## TÜRKÇE

### Ek A: AB Uygunluk Beyanı

Bizler, üreticiler, yani: Ticari Adresi: **Jan-Baptist Vinkstraat 2, 3070 Kortenberg, BEÇİKA** adresinde bulunan **Makita Europe N.V.**, şirket olarak **Yasushi Fukaya** yı tamamen bizim sorumluluğumuzda olmak kaydıyla ürünlerin teknik dosyası derlemesinin yapılması ve de ürünlere ilişkin şu hususların beyan edilmesi konusunda yetkilendiriyoruz:

Adı: **Kablosuz Şantiye Hoparlörü**. Türün(Türlerin) Adı: **DMR202**. Tüm 2014/53/EU şartlarına ve de 2009/125/EC, 2011/65/EU AT/AB Direktiflerindeki tüm ilgili şartlarına da uygundur.

2014/53/EU için AB tip-incelemesi: Onaylanmış Kuruluş: **Telefication B.V.,Edisonstraat 12A 6902 PK Zevenaar, Hollanda**, Tanıtım numarası: **0560**, Sertifika numarası: **172141277/AA/00**, ve ürünler aşağıdaki uyumlu hale getirilmiş standartlara uygun olarak üretilmiştir: **EN 300 328 V2.1.1:2016, EN 301 489-1 V2.1.1:2017, EN 301 489-17 V3.1.1:2017, EN 60065:2014+AC:2016, EN 55032:2015+AC:2016, EN 55020:2007+A11:2011, EN 62479:2010, EN 50581:2012**

Beyan yeri: **Kortenberg, Belçika**. Sorumlu kişi: **Yasushi Fukaya, Genel Müdür - Makita Europe N.V.** (Tip Adı, seri numarası (S/N), tarih ve imza son sayfada)

## 繁體中文

### 附件 A：歐盟符合性聲明

我們是一家製造商，名為“**Makita Europe N.V.**”，公司地址為 **Jan-Baptist Vinkstraat 2,3070 Kortenberg,BELGIUM**。授權予 **Yasushi Fukaya** 負責技術檔的彙編，並在我們對產品的唯一責任下進行申報。名稱：**揚聲器**，型號：**DMR202**。符合 2014/53/EU 的所有相關規定，並符合如下 EC / EU 指令 **2009/125/EC, 2011/65/EU** 的所有相關規定。

2014/53/EU 的 EC 類型檢驗；通知機構：**Telefication B.V.,Edisonstraat 12A 6902 PK Zevenaar • The Netherlands**，設備編號：**0560**，證書編號：**172141277/AA/00**，並按照以下統一標準製造：**EN 300 328 V2.1.1:2016, EN 301 489-1 V2.1.1:2017, EN 301 489-17 V3.1.1:2017, EN 60065:2014+AC:2016, EN 55032:2015+AC:2016, EN 55020:2007+A11:2011, EN 62479:2010, EN 50581:2012**。

聲明地點：**Kortenberg, Belçika**。負責人：**Yasushi Fukaya - Makita Europe N.V.**

(指定型號、序號 (S/N)、日期和簽名在文件最後)

## TIENG VIET

### Phụ lục A: Tuyên Bô Tuân Thủ EC

Chúng tôi là nhà sản xuất: **Makita Europe N.V.**, Địa chỉ công ty: **Jan-Baptist Vinkstraat 2, 3070 Kortenberg, BELGIUM**. Ủy quyền cho **Yasushi Fukaya** biên soạn tài liệu kỹ thuật và tuyên bố dưới trách nhiệm duy nhất của chúng tôi là (các) sản phẩm; Chỉ định: **Cordless Job Site Speaker**. (Các) loại chỉ định: **DMR201**. Tuân thủ tất cả các quy định có liên quan của 2014/53/EU và cũng đáp ứng tất cả các quy định có liên quan của các Chỉ thị EC/EU sau đây: **2009/125/EC, 2011/65/EU**.

Kiểm tra kiểu EC dành cho 2014/53/EU; Đơn vị được thông báo: **Telefication B.V.,Edisonstraat 12A 6902 PK Zevenaar, The Netherlands**, Số nhận dạng: **0560**, Số chứng nhận: **172141277/AA/00**, và được sản xuất theo các Tiêu chuẩn Hà nội sau đây: **EN 300 328 V2.1.1:2016, EN 301 489-1 V2.1.1:2017, EN 301 489-17 V3.1.1:2017, EN 60065:2014+AC:2016, EN 55032:2015+AC:2016, EN 55020:2007+A11:2011, EN 62479:2010, EN 50581:2012**.

Nơi tuyên bố: **Kortenberg, Bỉ**. Người chịu trách nhiệm: **Yasushi Fukaya, Director - Makita Europe N.V.** (Chỉ định Loại, số seri (S/N), ngày và chữ ký trên trang cuối)

## SVENSKA

### Bilaga A: EG-försäkran om överensstämmelse

Vi som tillverkare: **Makita Europe N.V.**, Företagsadress: **Jan-Baptist Vinkstraat 2, 3070 Kortenberg, BELGIUM**. Godkänner **Yasushi Fukaya** för sammanställningen av det tekniska underlaget och försäkrar under eget ansvar att produkten (er) (Beteckning: **Trådlös arbetsplats högtalare**. Beteckning av typ (er): **DMR202**). Oppfyller alla relevanta 2014/53/EU bestämmelser i 2014/53/EU och även uppfyller alla relevanta bestämmelser i följande EG / EU-direktiv: **2009/125/EC, 2011/65/EU**.

EG-typkontroll för 2014/53/EU; Anmält organ: **Telefication B.V.,Edisonstraat 12A 6902 PK Zevenaar, Nederländerna**, Identifieringsnummer: **0560**, Certifikatnummer: **172141277/AA/00**, och tillverkas i enlighet med följande harmoniserade standarder: **EN 300 328 V2.1.1:2016, EN 301 489-1 V2.1.1:2017, EN 301 489-17 V3.1.1:2017, EN 60065:2014+AC:2016, EN 55032:2015+AC:2016, EN 55020:2007+A11:2011, EN 62479:2010, EN 50581:2012**

Plats för deklaration: **Kortenberg, Belgien**. Ansvarig person: **Yasushi Fukaya, Direktör - Makita Europe N.V.** (Designation av typ, serienummer (S/N), datum och underskrift på sista sidan)

## NORSK

### Anneks A: EF-erklæring om samsvar

Som produsenter godkjenner vi, **Makita Europe N.V.**, foretningensadresse: **Jan-Baptist Vinkstraat 2, 3070 Kortenberg, BELGIA**, at **Yasushi Fukaya** utarbejder den tekniske dokumentasjonen, og erklærer under vårt eneansvar at produktet(ene); Betegnelse: **Trådløs høyttaler til arbeidspllassen**. Typebetegnelse(r): **DMR202**. Oppfyller alle relevante 2014/53/EU bestemmelser og i tillegg oppfyller alle de følgende EF/EU-direktivene: **2009/125/EC, 2011/65/EU**.

EF-typeprøving for 2014/53/EU; Teknisk kontrollorgan: **Telefication B.V.,Edisonstraat 12A 6902 PK Zevenaar, Nederland**, identifikasjonsnummer: **0560**, sertifikatnummer: **172141277/AA/00**, og er produsert i samsvar med følgende harmoniserte standarder: **EN 300 328 V2.1.1:2016, EN 301 489-1 V2.1.1:2017, EN 301 489-17 V3.1.1:2017, EN 60065:2014+AC:2016, EN 55032:2015+AC:2016, EN 55020:2007+A11:2011, EN 62479:2010, EN 50581:2012**

Erklæringssted: **Kortenberg, Belgia**. Ansvarlig person: **Yasushi Fukaya, Direktør - Makita Europe N.V.** (Typebetegnelse, serienummer (S/N), dato og signatur på siste side)

## SUOMI

### Liite A: EU-VAATIMUSTENMUKAISUUSVAKUUTUS

Valmistaja **Makita Europe N.V.**, osoite: **Jan-Baptist Vinkstraat 2, 3070 Kortenberg, BELGIA**, valtuuttaa henkilöön **Yasushi Fukaya** kokoamaan seuraavien tuotteiden tekniset tiedot ja vakuuttaa niiden täyttävän alla eriteltyjen direktiivien vaatimukset. Tuote: **Langaton työmaakalutin**. Mallimerkintä: **DMR202**. Direktiivit: **2014/53/EU** ja **2009/125/EC, 2011/65/EU**.

EY-direktiivien 2014/53/EU mukainen tyyppihyväksyntä: Ilmoitettu: **Telefication B.V.,Edisonstraat 12A 6902 PK Zevenaar, Alankomaat**. Tunnus: **0560**. Sertifiikaatti: **172141277/AA/00**. Tuote on valmistettu seuraavien standardien mukaisesti: **EN 300 328 V2.1.1:2016, EN 301 489-1 V2.1.1:2017, EN 301 489-17 V3.1.1:2017, EN 60065:2014+AC:2016, EN 55032:2015+AC:2016, EN 55020:2007+A11:2011, EN 62479:2010, EN 50581:2012**

Paikka: **Kortenberg, Belgia**. Vastaava henkilö: **Yasushi Fukaya, Johtaja - Makita Europe N.V.** (Tyyppimerkinnän seloste, sarjanumero, päivämäärä ja allekirjoitus sijaitsevat viimeisellä sivulla)

## LATVIJAS

### Annex A: ES Atbilstības deklarācija

Mēs, kā ražotājs: **Makita Europe N.V.**, Juridiskā adrese: **Jan-Baptist Vinkstraat 2, 3070 Kortenberg, BELGIJA**. Pilnvarojam **Yasushi Fukaya** tehnisko dokumentāciju aizpildīšanai ar mūsu atbildību koroģotā produkcijai; Nosaukums: **Bezvadu skaļrunis objektā**. Nosaukums, Tips: **DMR202**. Izpilda visas attiecīgo noteikumu 2014/53/EU kā arī izpilda visas attiecīgas normas sādai EC/EU direktīvai 2009/125/EC, 2011/65/EU.

ES tipa pārbaude 2014/53/EU; Paziņotā institūcija: **Telefication B.V.,Edisonstraat 12A 6902 PK Zevenaar, Nīderlandē**, Identifikācijas numurs: **0560**, Sertifikāta numurs: **172141277/AA/00**, un ir ražota saskaņā ar sekojošiem saskaņotiem standartiem: **EN 300 328 V2.1.1:2016, EN 301 489-1 V2.1.1:2017, EN 301 489-17 V3.1.1:2017, EN 60065:2014+AC:2016, EN 55032:2015+AC:2016, EN 55020:2007+A11:2011, EN 62479:2010, EN 50581:2012**

Deklarācijas vieta: **Kortenberg, Beļģija**. Atbildīga persona **Yasushi Fukaya, Direktors - Makita Europe N.V.** (Nosaukums, Tips, sērijas numurs (S/N), datums un paraksts uz pēdējās lapa pusē)

## LIEUVOS

### Priedas A: EC Atitikimo deklaracija

Mes, kaip gamintojai: **Makita Europe N.V.**, Verslo adresas: **Jan-Baptist Vinkstraat 2, 3070 Kortenberg, BELGIJA**. Igaliojame **Yasushi Fukaya** dėl techninės bylos surinkimo ir už savo pačių atsakomybę, pareiškiame, jog produktas(a): **Žymėjimas: Bealaidis darbo akstėlis grotuvas. Rušies žymėjimas(a): DMR202.** Įvykdo visas susijusias nuostatas **2014/53/EU** taip pat įvykdo visas susijusias nuostatas šių EC/EU direktyvų: **2009/125/EC, 2011/65/EU.**

EC rūšies ekspertizė **2014/53/EU**; Notifikuotoji įstaiga: **Telefication B.V.,Edisonstraat 12A 6902 PK Zevenaar, Olandija**, Identifikacijos numeris: **0560**, Serifikacijos numeris: **172141277/AA/00**, taip pat yra gaminami pagal šiuos darniausius standartus: **EN 300 328 V2.1.1:2016, EN 301 489-1 V2.1.1:2017, EN 301 489-17 V3.1.1:2017, EN 301 489-17 V3.1.1:2017, EN 60065:2014+AC:2016, EN 55032:2015+AC:2016, EN 55020:2007+A11:2011, EN 62479:2010, EN 50581:2012** Deklaracijos vieta: **Kortenberg, Belgija**. Atsakingas asmuo: **Yasushi Fukaya, Direktorius - Makita Europe N.V.** (Tipo žymėjimas, serijos numeris (S/N), data ir parašas paskutiniam puslapyje) (Maksimali radijo dažnio jėga: **BT EDR: 3.88 dBm / BT LE: -1.4 dBm**)

## EESTI KEEL

### Lisa A: EU Vastavusdeklaratsioon

Meie kui tootjad: **Makita Europe N.V.**, Address: **Jan-Baptist Vinkstraat 2, 3070 Kortenberg, BELGIJA**. Autoriseerime **Yasushi Fukaya** koostama tehnilist dokumentatsiooni ja ainuiskilisel deklareerimata, et tooted: Määramine: **Juhtmeta töökohta kölar. Määramine tüüp: DMR202.** Vastab kõigile **2014/53/EU** asjakohastele sätetele ning samuti vastab järgmise EÜ/EEL direktiivi: **2009/125/EC, 2011/65/EU** asjakohastele sätetele. EÜ tüüpkontroll **2014/53/EU** jaoks; Teavitatud asutus: **Telefication B.V.,Edisonstraat 12A 6902 PK Zevenaar, Madalmaad**, Identifitseerimisnumber: **0560**, Serifikatsiooni number: **172141277/AA/00**, ning on toodetud vastavalt järgmistele kooskõlastatud standarditele: **EN 300 328 V2.1.1:2016, EN 301 489-1 V2.1.1:2017, EN 301 489-17 V3.1.1:2017, EN 60065:2014+AC:2016, EN 55032:2015+AC:2016, EN 55020:2007+A11:2011, EN 62479:2010, EN 50581:2012**

Deklaratsiooni asukoht: **Kortenberg, Belgia**. Vastutav isik: **Yasushi Fukaya, Direktor - Makita Europe N.V.** (Määramine tüüp, seerianumber (S/N), kuupäev ja allkiri viimasel lehel)

## РУССКИЙ

### Приложение А: Декларация соответствия ЕС

Наша компания-производитель: **Makita Europe N.V.**, служебный адрес: **Jan-Baptist Vinkstraat 2, 3070 Kortenberg, БЕЛГИЯ**, предоставляет право **Yasushi Fukaya** передавать техническую документацию и заявлять под нашу исключительную ответственность, что продукция, наименование: **Акумуляторная Акустическая Колонка Для Строительных Площадок**, тип(ы) наименования(ий): **DMR202**, отвечает всем соответствующим положениям директивы **2014/53/EU** а также выполняет все соответствующие положения следующих директив ЕС / ЕС: **2009/125/EC, 2011/65/EU.** Разновидность проверки ЕС **2014/53/EU**; уполномоченный орган: **Telefication B.V.,Edisonstraat 12A 6902 PK Zevenaar, Нидерланды**, идентификационный номер: **0560**, сертификационный номер: **172141277/AA/00**, проведена в соответствии со следующими согласованными стандартами: **EN 300 328 V2.1.1:2016, EN 301 489-1 V2.1.1:2017, EN 301 489-17 V3.1.1:2017, EN 60065:2014+AC:2016, EN 55032:2015+AC:2016, EN 55020:2007+A11:2011, EN 62479:2010, EN 50581:2012**

Место декларации: **Kortenberg, Бельгия**. Ответственное лицо: **Yasushi Fukaya, директор - Makita Europe N.V.** (Тип наименования, серийный номер (C/№), дата и подпись на последней странице)

## POLSKI

### Załącznik A: Deklaracja Zgodności WE (CE)

My, jako producent: **Makita Europe N.V.**, zarejestrowany pod adresem: **Jan-Baptist Vinkstraat 2, 3070 Kortenberg, BELGIJA**, autoryzujemy **Yasushi Fukaya** do przygotowania w naszym imieniu dokumentacji technicznej oraz deklaracji pod własną odpowiedzialność, że produkt(ły): Opis produktu: **Głośnik Bezprzewodowy**. Numer modelu: **DMR202**. Spełnia podstawowe wymagania dyrektywy **2014/53/EU** oraz wymagania podstawowe wymagania następujących dyrektyw WE (CE): **2009/125/EC, 2011/65/EU.**

Badania zgodne z typem WE (CE) dla dyrektywy **2014/53/EU**; Jednostka notyfikowana: **Telefication B.V.,Edisonstraat 12A 6902 PK Zevenaar, Holandia**, numer identyfikacyjny: **0560**, numer certyfikatu: **172141277/AA/00**, zostały wyprodukowane zgodnie z wytycznymi następujących europejskich zharmonizowanych standardów bezpieczeństwa: **EN 300 328 V2.1.1:2016, EN 301 489-1 V2.1.1:2017, EN 301 489-17 V3.1.1:2017, EN 60065:2014+AC:2016, EN 55032:2015+AC:2016, EN 55020:2007+A11:2011, EN 62479:2010, EN 50581:2012** Miejsce deklaracji: **Kortenberg, Belgia**. Odpowiedzialna osoba: **Yasushi Fukaya, Dyrektor - Makita Europe N.V.** (Numer modelu, numer seryjny (S/N), data oraz podpis na ostatniej stronie)

## MAGYAR

### "A" Melléklet: EC Megfelelőségi nyilatkozat

Mi, mint Gyártó: **Makita Europe N.V.**, hivatalos cím: **Jan-Baptist Vinkstraat 2, 3070 Kortenberg, BELGIUM**, **Yasushi Fukaya** számára engedélyezkedik a műszaki ügyirat összeállítását és kizárólagos felelősségével kijelentéjk, hogy a termék(ek): (Rendeltetés: **Vezetéknélküli munkahelyi hangszóró**). Típuszám: **DMR202** megfelelnek a **2014/53/EU** jelű irányelv minden rá vonatkozó követelményének, valamint az **2009/125/EC, 2011/65/EU** jelzésű EC/EU irányelv minden rá vonatkozó rendelkezésnek. Ezen felül megfelel a **2014/53/EU** jelű E vizsgálat normáinak is (érintett szervezet: **Telefication B.V.,Edisonstraat 12A 6902 PK Zevenaar, Hollandia**), azonosítási szám: **0560**, az bizonyítvány száma: **172141277/AA/00**, emellett a gyártás az alábbi egységesített normák szerint történt: **EN 300 328 V2.1.1:2016, EN 301 489-1 V2.1.1:2017, EN 301 489-17 V3.1.1:2017, EN 60065:2014+AC:2016, EN 55032:2015+AC:2016, EN 55020:2007+A11:2011, EN 62479:2010, EN 50581:2012**

A nyilatkozat kiállítás helye: **Kortenberg, Belgium**. Illetékes személy: **Yasushi Fukaya, Igazgató - Makita Europe N.V.** (A típuszám, a sorozatszám (S/N), a dátum és az aláírás az utolsó oldalon található.)

## SLOVENSKY

### Priloha A: ES Vyhlasenie o zhode

My ako výrobca: **Makita Europe N.V.**, Adresa spoločnosti: **Jan-Baptist Vinkstraat 2, 3070 Kortenberg, BELGICKO**, poverujeme **Yasushi Fukaya** vytvorením technického spisu a vyhlasujeme v rámci našej výhradnej zodpovednosti, že produkt(ý): označenie: **Bezdrôtový stavebný reproduktor**, označenie typov(ú): **DMR202**, spĺňa(jú) všetky platné ustanovenia **2014/53/EU** a tiež všetky platné ustanovenia nasledujúcich EC/EU smerníc: **2009/125/EC, 2011/65/EU.**

ES certifikát o typovej skúške pre **2014/53/EU**; Upravený orgán: **Telefication B.V.,Edisonstraat 12A 6902 PK Zevenaar, Holandsko**, Identifikačné číslo: **0560**, Číslo certifikátu: **172141277/AA/00**, a sú vyrábané v súlade s nasledujúcimi Harmonizovanými normami: **EN 300 328 V2.1.1:2016, EN 301 489-1 V2.1.1:2017, EN 301 489-17 V3.1.1:2017, EN 60065:2014+AC:2016, EN 55032:2015+AC:2016, EN 55020:2007+A11:2011, EN 62479:2010, EN 50581:2012**

Miesto vyhlásenia: **Kortenberg, Belgicko**. Zodpovedná osoba: **Yasushi Fukaya, Riaditeľ - Makita Europe N.V.** (Označenie typu, sériové číslo (S/C), dátum a podpis na poslednej strane)

## ČEŠTINA

### Priloha A: EC Deklarace shody

My jako výrobci: **Makita Europe N.V.**, Místo podnikání: **Jan-Baptist Vinkstraat 2, 3070 Kortenberg, BELGIE**. Autorizujeme **Yasushi Fukaya** sestavením technické dokumentace a prohlašujeme na naší vlastní odpovědnost, že produkt(ý): Označení: **Bezdrátový reproduktor na staveništi**. Typ(ý) označení: **DMR202**. Splňuje všechna příslušná ustanovení **2014/53/EU** a také splňuje všechna příslušná ustanovení těchto směrnic EC/EU Dle pokynů: **2009/125/EC, 2011/65/EU.**

EC zkoušek typu dle **2014/53/EU**; Oznámeno subjektu: **Telefication B.V.,Edisonstraat 12A 6902 PK Zevenaar, Nizozemí**, Identifikační číslo: **0560**. Číslo certifikátu: **172141277/AA/00**, a jsou vyrobeny v souladu s následujícími harmonizačními normami: **EN 300 328 V2.1.1:2016, EN 301 489-1 V2.1.1:2017, EN 301 489-17 V3.1.1:2017, EN 60065:2014+AC:2016, EN 55032:2015+AC:2016, EN 55020:2007+A11:2011, EN 62479:2010, EN 50581:2012** Místo deklarace: **Kortenberg, Belgie**. Zodpovědná osoba: **Yasushi Fukaya, Ředitel - Makita Europe N.V.** (Označení typu, sériové číslo (S/N), datum a podpis na poslední stráně)

## Українська

### Додаток А: Декларация відповідності ЄС

Наша компанія-виробник: **Makita Europe N.V.**, службова адреса: **Jan-Baptist Vinkstraat 2, 3070 Kortenberg, БЕЛГІЯ**, надає право **Yasushi Fukaya** передавати технічну документацію і заявляти під нашу виключну відповідальність, що продукція, найменування: **Бездротовий динамік для будівельників**, тип(и) найменування(я): **DMR202**, відповідає усім відповідним положенням директиви ЄС **2014/53 / EU**, а також виконує всі відповідні положення наступних директив ЄС / ЄС: **2009/125/EC, 2011/65 / EU.**

Рівнозвід перевірки ЄС **2014/53 / EU**; уповноважений орган: **Telefication B.V.,Edisonstraat 12A 6902 PK Zevenaar**, ідентифікаційний номер: **0560**, сертифікаційний номер: **172141277/AA/00**, проведена у відповідності до наступних узгоджених стандартів: **EN 300 328 V2.1.1:2016, EN 301 489-1 V2.1.1:2017, EN 301 489-17 V3.1.1:2017, EN 60065:2014+AC:2016, EN 55032:2015+AC:2016, EN 55020:2007+A11:2011, EN 62479:2010, EN 50581:2012**

Місце декларації: **Kortenberg, Бельгія**. Відповідальна особа: **Yasushi Fukaya, директор - Makita Europe N.V.** (Тип найменування, серійний номер (C / №), дата і підпис на останній сторінці)

## ROMÁNA

### Anexa A: Declarație de conformitate EC

Noi, în calitate de producători: **Makita Europe N.V.**, adresa de afaceri: **Jan-Baptist Vinkstraat 2, 3070 Kortenberg, BELGIJA**, îl autorizăm pe **Yasushi Fukaya** pentru compilarea fișei tehnice și declarăm sub singura noastră responsabilitate că produsul(ele): Denumire: **Difuzor fără fir pentru șantier**. Denumire tip(ur): **DMR202**. Îndeplinește toate condițiile relevante ale **2014/53/EU** și, de asemenea, îndeplinește toate condițiile relevante ale următoarelor directive EC/EU: **2009/125/EC, 2011/65/EU.**

Examinare-tip EC pentru **2014/53/EU**; Organismul notificat: **Telefication B.V.,Edisonstraat 12A 6902 PK Zevenaar, Olanda**, Număr de identificare: **0560**, Număr certificat: **172141277/AA/00**, și sunt produse în conformitate cu următoarele standarde armonizate: **EN 300 328 V2.1.1:2016, EN 301 489-1 V2.1.1:2017, EN 301 489-17 V3.1.1:2017, EN 60065:2014+AC:2016, EN 55032:2015+AC:2016, EN 55020:2007+A11:2011, EN 62479:2010, EN 50581:2012**

Locul declarației: **Kortenberg, Belgia**. Persoană responsabilă: **Yasushi Fukaya, Director - Makita Europe N.V.** (Denumire tip, număr de serie (S/N), dată și semnătură pe ultima pagină)

## SLOVENŠČINA

### Priloga A: EC Izjava o skladnosti

Mi, kot proizvajalci: **Makita Europe N.V.**, Poslovni naslov: **Jan-Baptist Vinkstraat 2, 3070 Kortenberg, Belgija**. Poočlašamo **Yasushi Fukaya** za pripravo tehnične dokumentacije in polno odgovornostjo, da je proizvod; Oznaka: **Samostoječi zvočnik**. Oznaka tipa(ov): **DMR202**. Izpolnjuje vse ustrezne določbe iz leta **2014/53/EU** in tudi izpolnjuje vse ustrezne določbe naslednjih direktiv: **2009/125/EC, 2011/65/EU.**

ES-tip pregleda za **2014/53/EU**; Obveščeni organ: **Telefication B.V.,Edisonstraat 12A 6902 PK Zevenaar, Nizozemska**, Identifikacijska številka: **0560**, številka certifikata: **172141277/AA/00**, in so izdelani v skladu z naslednjimi usklajenimi standardi: **EN 300 328 V2.1.1:2016, EN 301 489-1 V2.1.1:2017, EN 301 489-17 V3.1.1:2017, EN 60065:2014+AC:2016, EN 55032:2015+AC:2016, EN 55020:2007+A11:2011, EN 62479:2010, EN 50581:2012**

Mesto deklaracije: **Kortenberg, Belgija**. Odgovorna oseba: **Yasushi Fukaya, direktor - Makita Europe N.V.** (Oznaka tipa, serijska številka (S/N), datum in podpis na zadnji strani)

## SHQIP

### Aneksi A: Deklarata e Konformitetit të KE-së

Ne si prodhuesit: **Makita Europe N.V.**, Selia e biznesit: **Jan-Baptist Vinkstraat 2, 3070 Kortenberg, BELGJIKË**. Autorizojmë **Yasushi Fukaya** për hartimin e skedarit teknik dhe deklarim të nën përgjegjësinë tonë të vetme se produkt(et): Përcaktimi: **Altoparlant me bateri për zona pune**. Përcaktimi i lojit(eve): **DMR202**. Plotëson të gjitha dispozitat përkatëse të ligjit **2014/53/EU** dhe gjithashtu plotëson të gjitha dispozitat përkatëse të Direktivave të KE-së/BE-së të mëposhtme: **2009/125/EC, 2011/65/EU.**

Lloji i ekzaminimit të KE-së për **2014/53/EU**; Organi i njoftuar: **Telefication B.V.,Edisonstraat 12A 6902 PK Zevenaar, Holanda**, Numri i identifikimit: **0560**, Numri i certifikatës: **172141277/AA/00**, in so izdeleni v skladu në përputhje me standardet e mëposhtme të harmonizuara: **EN 300 328 V2.1.1:2016, EN 301 489-1 V2.1.1:2017, EN 301 489-17 V3.1.1:2017, EN 60065:2014+AC:2016, EN 55032:2015+AC:2016, EN 55020:2007+A11:2011, EN 62479:2010, EN 50581:2012**

Vendi i deklarimit: **Kortenberg, Belgjikë**. Personi përgjegjës: **Yasushi Fukaya, Drejtor - Makita Europe N.V.** (Përcaktimi i lojit, numri i serisë (S/N), data dhe nënshkrimi në faqen e fundit)

## БЪЛГАРСКИ

### Анекс А: ЕС Декларация за съответствие

Ние, производителите: **Makita Europe N.V.**, бизнес адрес: **Jan-Baptist Vinkstraat 2, 3070 Kortenberg, Белгия**, упълномощаваме **Yasushi Fukaya** да състави техническо досие и декларираме на своя лична отговорност, че продукт(ите): (Предназначение: **Безжичен високоговорител за работни места**. Типово определение: **DMR202**. Отговарят на всички приложими разпоредби на **2014/53/EU** и също отговарят на всички съответни разпоредби на следните директиви на ЕО / ЕС: **2009/125/EC, 2011/65/EU.**

ЕО-тип изследване за **2014/53/EU**; Notифициран орган: **Telefication B.V.,Edisonstraat 12A 6902 PK Zevenaar, Холандия**, Идентификационен номер: **0560**, Сертификат номер: **172141277/AA/00**, и са произведени в съгласие със следните хармонизирани стандарти: **EN 300 328 V2.1.1:2016, EN 301 489-1 V2.1.1:2017, EN 301 489-17 V3.1.1:2017, EN 60065:2014+AC:2016, EN 55032:2015+AC:2016, EN 55020:2007+A11:2011, EN 62479:2010, EN 50581:2012**

Място на декларация: **Kortenberg, Белгия**. Отговорно лице: **Yasushi Fukaya, директор - Makita Europe N.V.** (Типово определение, сериен номер (S/N), дата и подпис на последната страница)

## HRVATSKI

### Dodatak A: EC izjava o sukladnosti

Mi kao proizvođači: **Makita Europe N.V.**, Poslovna adresa: **Jan-Baptist Vinkstraat 2, 3070 Kortenberg, Belgija**. Ovlašteni **Yasushi Fukaya** za sastavljanje tehničke dokumentacije i izjave odgovornosti da proizvod (i): Oznaka: **Bežični Gradilišni Zvučnik**. Oznaka model (a): **DMR202**. Ispunjava sve relevantne odredbe **2014/53/EU** i ispunjava sve relevantne odredbe sukladno sljedećim direktivama EC / EU: **2009/125/EC, 2011/65/EU.**

EC model provjere za **2014/53/EU**; Tijelo za ocjenu sukladnosti: **Telefication B.V.,Edisonstraat 12A 6902 PK Zevenaar, Nizozemska**, Identifikacijski broj: **0560**, Serifikat broj: **172141277/AA/00**, a proizvedeni su u skladu sa sljedećim usklađenim normama: **EN 300 328 V2.1.1:2016, EN 301 489-1 V2.1.1:2017, EN 301 489-17 V3.1.1:2017, EN 60065:2014+AC:2016, EN 55032:2015+AC:2016, EN 55020:2007+A11:2011, EN 62479:2010, EN 50581:2012** Mjesto deklaracije: **Kortenberg, Belgija**. Odgovorna osoba: **Yasushi Fukaya, Direktor - Makita Europe N.V.** (Oznaka modela, serijski broj (S / N), datum i potpis na zadnjoj stranici)

(Maksimalna radijsko-frekvencijska snaga: **BT EDR: 3.88 dBm / BT LE: -1.4 dBm**)

## МАКЕДОНСКИ

### Анекс А: Изјава за сообразност на ЕЗ

Ние, производителите: **Makita Europe N.V.**, со деловна адреса: **Jan-Baptist Vinkstraat 2, 3070 Kortenberg, Белгија**. Го овластуваме **Yasushi Fukaya** за составување на техничката датотека и изјавување под наша лична одговорност дека производот(ите): Ознака: **Безжичен звучник за работно место**. Ознака на тип(ови): **DMR202**. Ги исполнува сите релевантни одредби на **2014/53/EU** и исто така ги исполнува сите релевантни одредби на следните директиви на ЕЗ/ЕУ: **2009/125/EC, 2011/65/EU.**

ЕЗ испитување на типот за **2014/53/EU**; Известен орган: **Telefication B.V.,Edisonstraat 12A 6902 PK Zevenaar, Холандија**, Идентификациски број: **0560**. Број на сертификат: **172141277/AA/00**, и се произведени во согласност со следните хармонизирани стандарти: **EN 300 328 V2.1.1:2016, EN 301 489-1 V2.1.1:2017, EN 301 489-17 V3.1.1:2017, EN 60065:2014+AC:2016, EN 55032:2015+AC:2016, EN 55020:2007+A11:2011, EN 62479:2010, EN 50581:2012**

Место на давање на изјавата: **Kortenberg, Белгија**. Одговорно лице: **Yasushi Fukaya, Директор - Makita Europe N.V.** (Ознака на тип, сериски број (C/Б), датум и потпис на последната страница)

## SRPSKI

### Aneks A: Deklaracija o usaglasenosti EK

Mi kao proizvođači: **Makita Europe N.V.**, poslovna adresa: **Jan-Baptist Vinkstraat 2, 3070 Kortenberg, BELGIJA**; ovlašćujemo **Yasushi Fukaya** za izradu stručne dokumentacije i izjavljujemo pod vlastitom odgovornošću da proizvod(i): Oznaka: **Bežični zvučnik za gradilište**; Oznaka tipa: **DMR202**, ispunjava sve značajne odredbe direktive **2014/53/EU** i takođe ispunjava sve značajne odredbe sledećih direktiva EK/EU: **2009/125/EC, 2011/65/EU.**

Vrsta ispitivanja EK za **2014/53/EU**; Ovlašćenog tela: **Telefication B.V.,Edisonstraat 12A 6902 PK Zevenaar, Холандија**, Идентификациони број: **0560**, Број сертификата: **172141277/AA/00**, и произведени су у складу са следећим услагашеним стандардима: **EN 300 328 V2.1.1:2016, EN 301 489-1 V2.1.1:2017, EN 301 489-17 V3.1.1:2017, EN 60065:2014+AC:2016, EN 55032:2015+AC:2016, EN 55020:2007+A11:2011, EN 62479:2010, EN 50581:2012** Место декларације: **Kortenberg, Белгија**. Одговорно лице: **Yasushi Fukaya, Direktor - Makita Europe N.V.** (oznaka tipa, serijski broj (S/N), datum i potpis na poslednjoj strani)

31. 7.2018

**Makita Europe N.V.**

Jan-Baptist Vinkstraat 2,  
3070 Kortenberg, Belgium

DMR202-DOC-31L-1901  
3A87cBECODCC