

# PARTS LIST

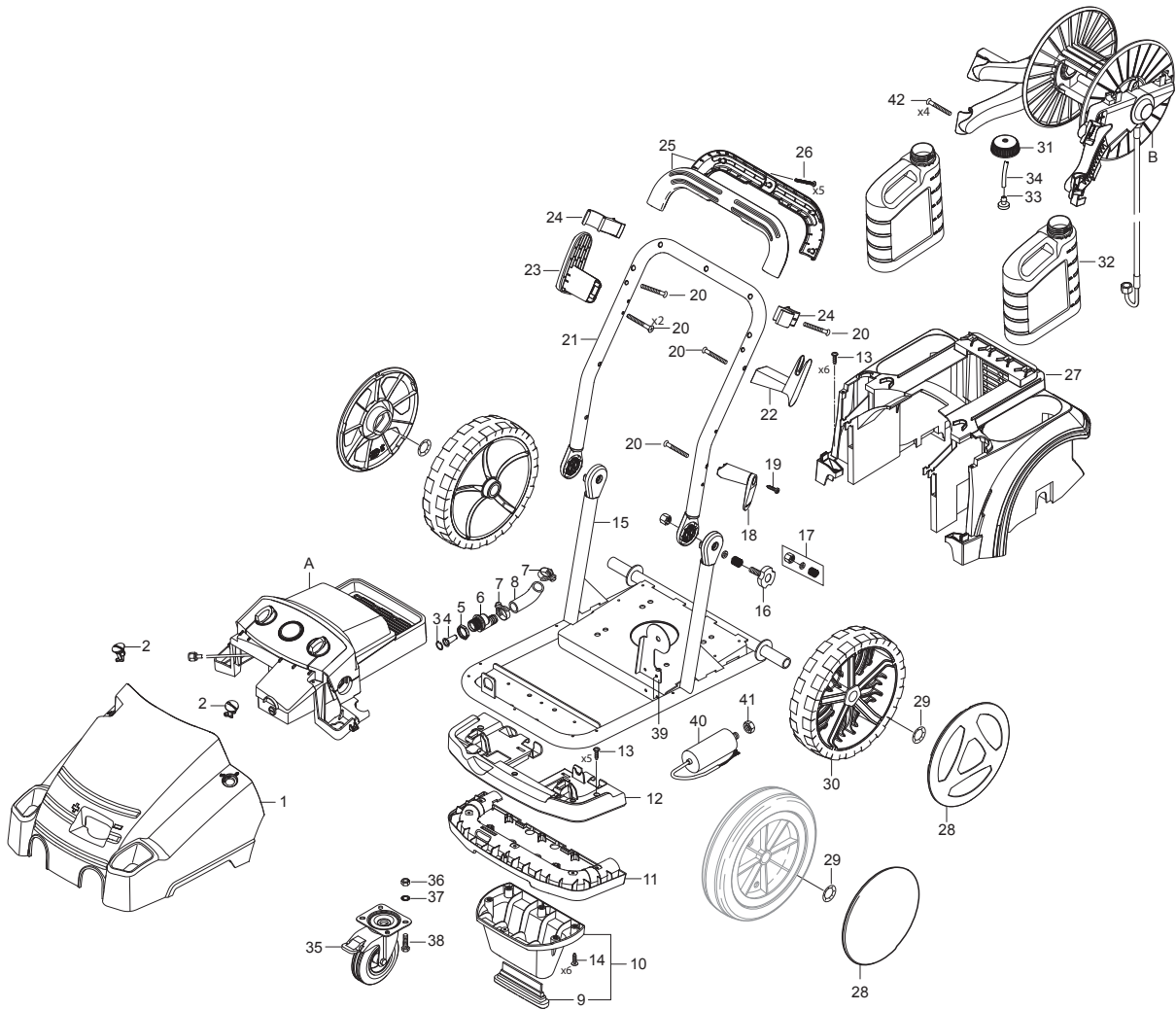


2021.03.26

# TABLE OF CONTENTS

---

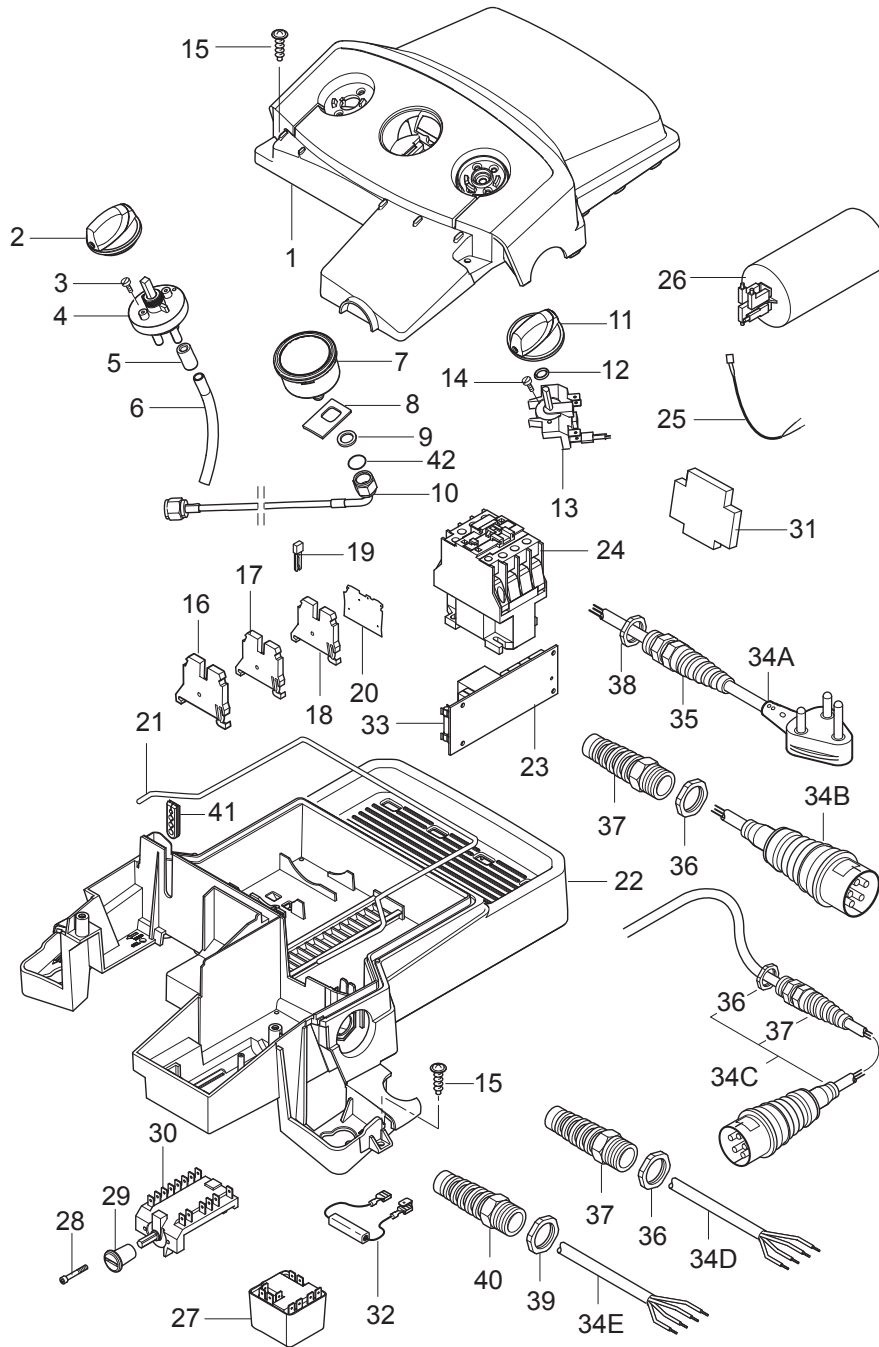
Overview .....	1
Electric box .....	4
Hose reel .....	7
Motor .....	9
Cylinder block .....	12
Unloader FA .....	14
Default accessories .....	16
Recommended spare parts .....	18



Pos.	Artikelnummer	Hoeveelheid	Omschrijving	Notes
A		1	Electric box	[1]
B		1	Hose reel	[2]
1	107141602	1	CABINET FRONT NILFISK MC 6P	
1	107140959	1	CABINET FRONT NA POSEIDON 6 UNITOR	
2	301001261	2	Locking bolt	
3	107141667	1	Sluitring	
4	101117926	1	Filter	
5	1800341	1	MOER 3/4 INCH RG	
6	107141668	1	WATERTOEVERLEIDING NA5-NA6	
7	107141707	1	Slangklem 20-32MM SS	[3]
7	23221	2	HOSE CLAMP 20-32	
8	107141697	1	RUBBER ELLEBOOG NA5/NA6 FA	
9	107141615	1	RUBBER FOOT	
10	101118100	1	FRONT FOOT FOR POSEIDON KIT	
11	107141617	1	BUMPER BOTTOM	
12	107141618	1	BUMPER TOP	
13	107146528	5	SCREW M5X12 ISO 14583-A2 TORX	
14	107141838	6	SCREW K50X18 WN1451 BLACK TORX20	
15	107141622	1	FRAME STAINLESS STEEL	[3]
15	107141621	1	FRAME NA6/C3	
16	107141672	2	GRIB FOR FOLDABLE HANDLE	
17	101118104	2	SPRING AND LOCK NUT KIT	
18	107141625	1	Kabelhaak Zwart	
19	107141838	1	SCREW K50X18 WN1451 BLACK TORX20	
20	107141627	10	SCREW K50X40 T20	
21	107141624	1	FRAME HANDLE STAINLESS STEEL	[3]
21	107141623	1	FRAME HANDLE	
22	107141632	1	Kabelhaak	
23	107141629	1	HOSE HOOK	
24	107141630	1	Lanshouder montage aan frame	
25	101118101	1	HANDLE KIT	
26	909100148	5	Screw K40x30 WN 1452	
27	107141634	1	REAR END	
28	107145780	2	WHEEL CAP FOR WHEEL Ø300X65 - NILFISK	[4]
28	107145782	2	WHEEL CAP FOR WHEEL Ø300X65 - UNITOR	[4]
28	301001077	2	Wielkap	[5]
29	46363	2	Klemring	
29	107145570	2	CLAMPING RING D25XD42X3	[3]
30	107145637	2	WHEEL D300X65	[4]
30	6184074	2	Wiel	[4]
30	2010908	2	wiel 03KR	[3]
31	107141664	2	Top voor zeeptank	
32	107141635	2	Reinigingsmiddeltank 2,5 l	
33	6400240	1	Chemicalidnfilter	
34	106408243	1	Doorzichtige slang 1/4-5 m	
35	107141608	1	WHEEL W. BRAKE D125 FOOD	[3]
35	107141607	1	WHEEL W. BRAKE D125	
36	1809920	4	NUT M8 A2/PA ISO10511	[3]
36	1800515	4	Moer M8 (4100190)	
37	1802917	1	Schijf	[3]
37	1800796	4	Schijf	
38	2753	4	Schroef M8x20	
38	107140930	4	SCREW M8X20 DIN933 SS	[3]
42	107141695	4	SCREW K50X35 TORX 20 WN5452 BLACK	
NS	107140982	1	10 PCS OF BOXES FOR PACKAGING	

## Part Notes:

- [1] - See Electric box
- [2] - See Hose reel
- [3] - Food
- [4] - The new wheel and wheel cap is added from  
Variant Ser. Nr. order nr.machine nr.  
Nilfisk 3520151900645 - 1712947 - 107146806  
Unitor 3520151901159 - 1711044 - 107146807
- [5] - STOCK COVERS GUARANTEE  
  
The new wheel and wheel cap is added from  
Variant Ser. Nr. order nr.machine nr.  
Nilfisk 3520151900645 - 1712947 - 107146806  
Unitor 3520151901159 - 1711044 - 107146807



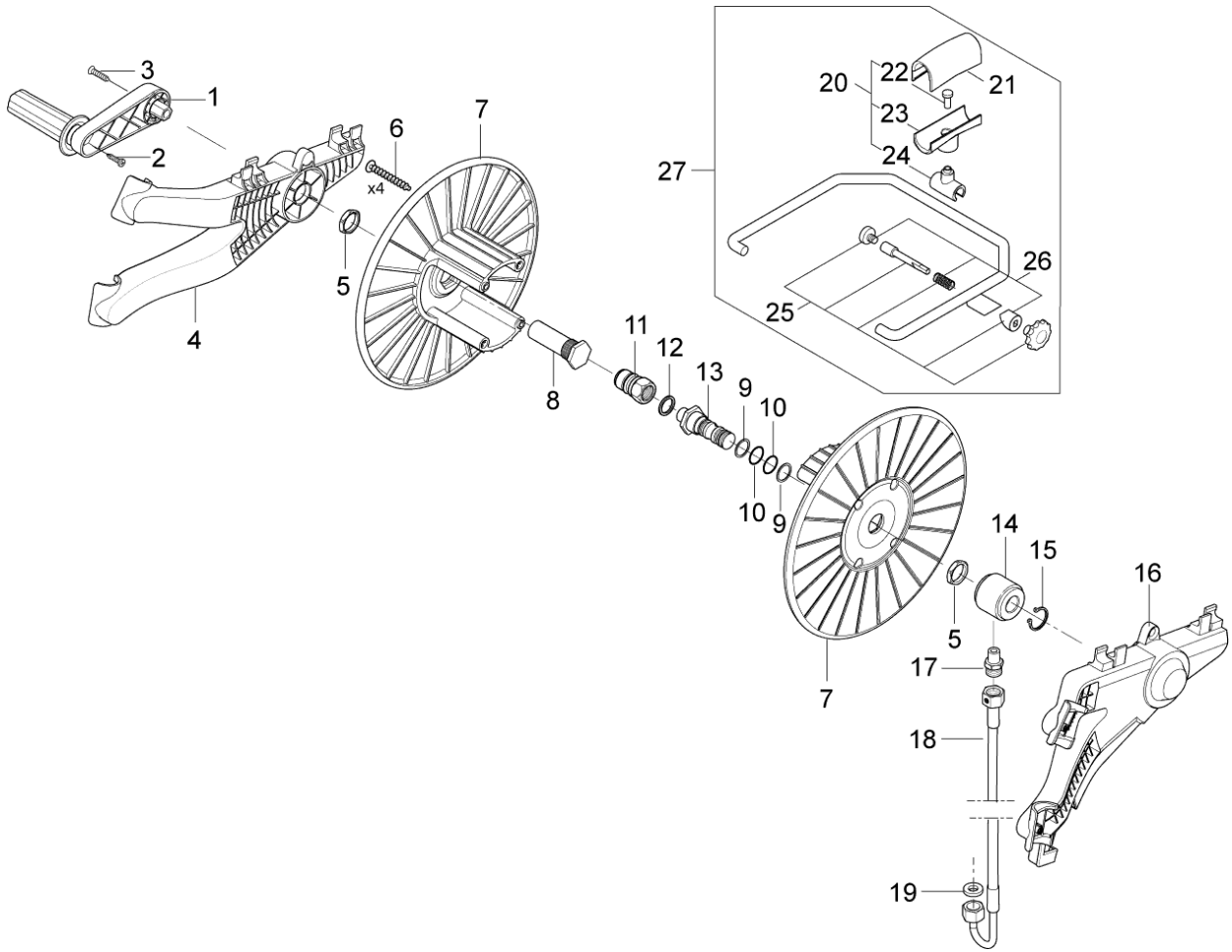
Pos.	Artikelnummer	Hoeveelheid	Omschrijving	Notes
0	101118305	1	START RELAY RVA4G0C KIT	[1]
0	101118143	1	START RELAY KIT F. POSEIDON 5-6-7 1PH US	[1]
1	107141644	1	E-BOX TOP F. 1-POS SWITCH AND DET. BLACK	
1	107141646	1	E-BOX TOP F. 1-POS SWITCH-NO DET. BLACK	
1	107141645	1	E-BOX TOP F. 2-POS SWITCH AND DET. BLACK	
2	909100214	1	Draaiknop	
3	1814730	2	Moer M4	
4	301001000	1	Doseerventiel	
5	301001906	1	Sluiting	
6	106408243	1	Doorzichte slang 1/4-5 m	
7	107141648	1	MANOMETER 0-300 BAR	
8	107141650	1	PLATE FOR MANOMETER	
9	107141651	1	O-RING M12 13X24X2.5 A2 DIN 125	
10	107141696	1	MANOMETER TUBE FFA MODELS	[2]
10	107141653	1	Buis manometer FA modellen	
11	909100204	1	Draaiknop	
12	9868	1	O-Ring 10X2,5	
13	28877	1	Schakelaar (SC)	[3]
13	301001058	1	Schakelaar 10A	[4]
14	18274	1	Schroef M4 X 12 DIN 963	
15	107141838	6	SCREW K50X18 WN1451 BLACK TORX20	
16	103821922	1	Ens Stop	
17	107141633	1	TERMINAL BLOCK 4Q PE	
18	103821967	1	WIRE TERMINAL WAGO281 800V 4MM2	
19	103821969	1	JUMPER	
20	103821968	1	END PLATE WAGO 4MM2	
21	101406054	1	Spons Rubber O4 L 1 M	
22	107141654	1	E-Box Bottom geboord /Kabel	[5]
22	107141706	1	E-Box Bottom geboord Kabel en Schakelaar	[6]
22	107141665	1	Electrische box	
22	107141655	1	E-BOX BOTTOM DRILLED /SWITCH/	[7]
23	107141666	1	PCB POSEIDON 5-6-7	
24	103822314	1	CONTACTOR CJX2-D32 32A 230V 3P+NO	[8]
24	103822308	1	Contactoor	[9]
24	103822303	1	CONTACTOR CJX2-D18-V7 400	[10]
24	63915	1	Schakelaar 100-C30KF10(38 04200	[11]
25	107141796	1	PCB WIRE FOR SUCTION MODE	[12]
25	107141656	1	PCB WIRE for B4	
26	107143182	1	CAPACITOR 70UF 450/500V RP-3	[13]
26	101117947	1	CAPACITOR 100UF 450V DOUBLE 6.3 FASTON	[14]
27	107142761	1	START RELAY RVA4G0C	[15]
27	107140968	1	START RELAY RVAH4AH0C	[15]
28	101117739	2	SCREW HEX M4X22-8.8 A2K DIN912	
29	64580	1	Draaiknop	
30	301000293	1	Draaischakelaar 16A	
31	64773	1	Auxiliary contact	
32	107141730	1	DISCHARGE RESISTOR 15KOHM/7W	[1]
33	301000263	1	Zekering 0,63A 500V traag	
34A	301000407	1	POWER CORD SJOW AWG10/3X9.0	[16]
34B	301000253	1	Power Cord	[17]
34C	301000834	1	Stroomkabel H07RN-F4G11.5x6	[18]
34D	301000337	1	POWER CORD H07RN-F 4G2.5	[19]
34E	301000384	1	STROOMSNOER SOW AWG 10/4X9	[20]
35	909100198	1	Snoerbevestiging M25 X 1,5	[21]
36	909100043	1	Kabelschroeven W. Antibuc.	[22]
37	909100019	1	Moer verzinkt M20x1,5	[22]
38	909100020	1	Hexagon Nut M25x1,5	[21]
39	909100021	1	Moer m32x1,5	[23]

Pos.	Artikelnummer	Hoeveelheid	Omschrijving	Notes
40	909100016	1	Kabelschroeven M32 X 1,5 M. Knick	[23]
41	107141663	1	RUBBER GROMMET	
42	31000508	1	O-RING NBR	

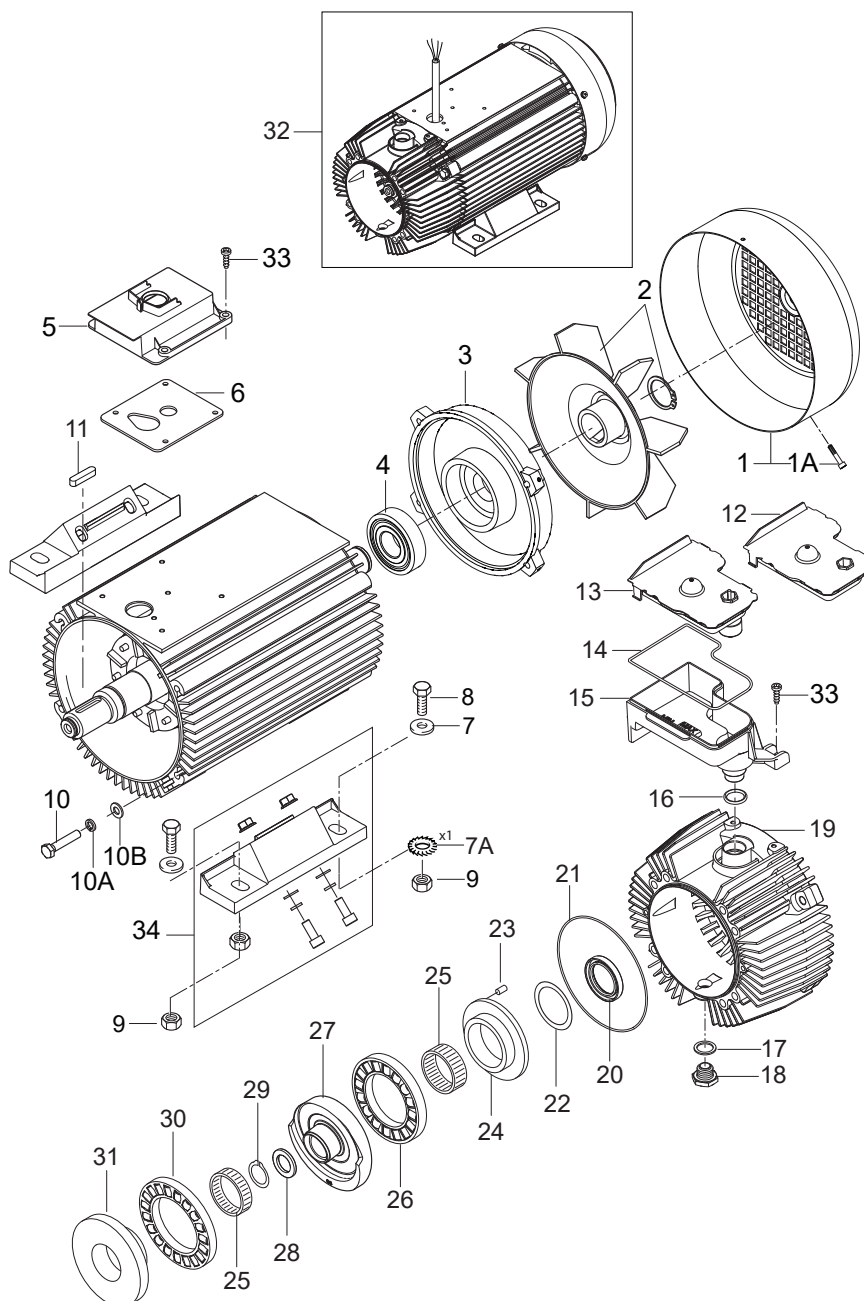
Part Notes:

- [1] - 230/1/50 UK, 220-240/1/60 US
- [2] - Food
- [3] - 2-POS.
- [4] - 1-POS.
- [5] - 220-240/1/60 (6-52 US)
- [6] - 220/440/3/60 (6-73 US)
- [7] - 230;400/3/50 (6-65 NO)
- [8] - 220-240/1/60 (US)
- [9] - 400/3/50 EU
- [10] - 6-61 FFA 400/3/50 EU
- [11] - 230/400/3/50, 220/440-460/3/60
- [12] - S1 to X8 – "suction mode wire"
- [13] - 230/1/50 UK  
TSB-PPW-2018-003 MH\_MC change of start relay and run capacitor
- [14] - 220-240/1/60 US
- [15] - 230/1/50 UK
- [16] - 6-52 FA 220-240/1/60 USA  
STOCK COVERS GUARANTEE
- [17] - EU
- [18] - Sondi
- [19] - NO, EXP.
- [20] - 6-73 FA 220/460/3/60 USA
- [21] - M25
- [22] - M20
- [23] - M32





Pos.	Artikelnummer	Hoeveelheid	Omschrijving	Notes
0	106403143	1	Kit slanghaspel	
1	101118102	1	SLANGHASPEL HANDLE KIT	
2	107141838	1	SCREW K50X18 WN1451 BLACK TORX20	
3	107141673	1	SCREW M6X45 ISO 7380 BLACK TORX	
4	107141674	1	ADAPTOR RIGHT FOR HOSE REEL	
5	62696	1	Moer	
6	909100153	1	Schroef 6x40	
7	301000775	1	Hose Drum Section	
8	107141675	1	As voor slanghaspel	
9	63792	2	Klemring Haspel 30CA/Trit on	
10	19620	2	O-Ring 15.54x2.62 DIN 377	
11	1600493	1	Snelkoppeling mannelijk 3/8 inch	
12	1801075	1	Dichtingsring 3/8 inch	
13	107141676	1	DRAAISTEUN SCHROEF VOOR SLANGHASPEL	
14	301000977	1	Lagerbus	
15	1802057	1	Zeegerring 20x1,2	
16	107141677	1	ADAPTOR LEFT FOR HOSE REEL	
17	54590	1	Fitting	
18	107141678	1	Verbindingsslang voor haspel	
19	65466	1	Pakking	
20	101118103	1	Geleider hd slang kit haspel	
21	301000674	1	Slangring	
22	10028	1	Schroef 50x14	
23	301000676	1	Hose guide section lower	
24	107141679	1	HOSE GUIDE SLEEVE OPEN	
25	101118106	1	HOSE GUIDE BRAKE COMPLETE KIT	
26	101118111	1	HOSE GUIDE KIT	
27	101118105	1	Slanggeleider compleet	

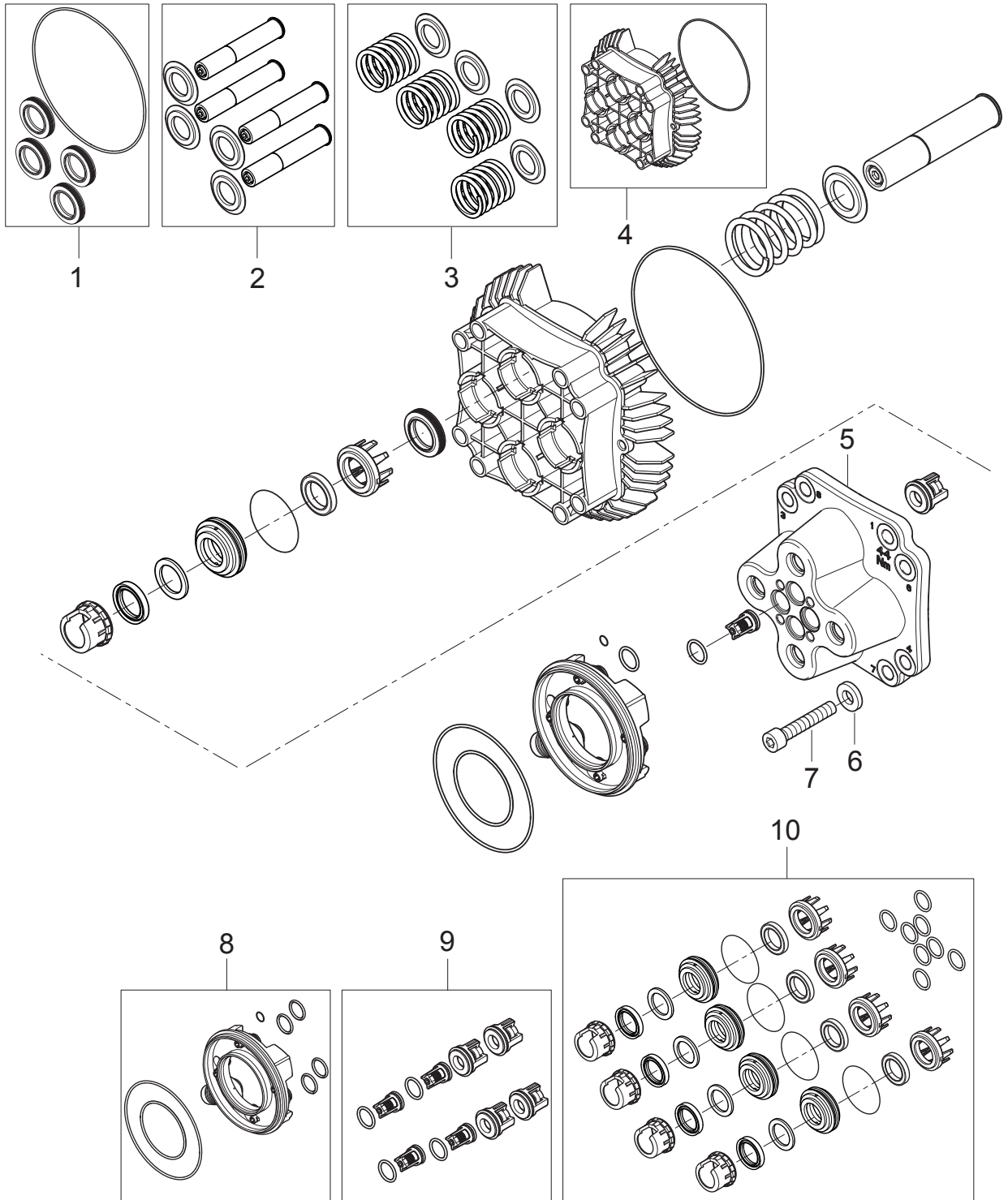


Pos.	Artikelnummer	Hoeveelheid	Omschrijving	Notes
	31001229	1	OIL ISO 150 ALPHASYN-T 20L	
00	5218433	1	Pompolie 150 1 x 1Ltr. Alphasyn.	[1]
1	107144126	1	FAN COVER RF	
1A	31000488	1	SCREW M5X8 CYLINDER HEAD PH NOTCH RF	
2	107144125	1	FAN W LOCK RING RF	
3	31000148	1	REAR BEARING COVER RF	
4	31000149	1	Kogellager 6306 2Z C3 150 GRADEN RF	
5	107140876	1	COVER FOR E-BOX ON MOTOR	
6	107140875	1	SEALING BETWEEN E-BOX AND MPU	[2]
7	2767	7	Ringetje	
7A	107140931	1	TOOTHED WASHER M10 SS	[3]
7A	10204	1	SERRATED LOCK WASHER A10	
8	8927	4	HEXAGON HEAD CAP SCREW M10X 35 ISO 4017	
9	1800465	4	Moer M10 (ook 4826)	
9	1802966	4	Nut Hex M10 A2 DIN 934	[3]
10	6863	4	Inbus bout M8x 35	
10A	2798	8	LOCK WASHER 8	
10B	2762	8	Schijf 8.4x1.6	
11	107140880	1	KEY 6X6X32 A DIN 6885	
12	107140877	1	TOP OLIE TANK	
13	107140883	1	Deksel met oliecontact	
14	101406054	1	Spons Rubber O4 L 1 M	
15	107140879	1	OIL CONTAINER BOTTOM	
16	107140882	1	O-ring 15.0 X 3.0 SMS 1586 NBR70	
17	106408208	1	Koperen dichtring 17X25X1.5	
18	6150400	1	Stop	
19	101118067	1	Lagerschaal voor CPL.	
20	3001146	1	Oliekeerring 35x50x7	
21	106408215	1	O-RING 126.71 X 1.78 NBR 72	
22	6100995	1	Schijf	
23	6100996	1	Pen	
24	107120703	1	Lagerschijf	
25	3200656	2	Lager	
26	3200615	1	Lager	
27	106408212	1	Wobble disk polished 5.8DEG	[4]
27	106408211	1	Wobble disk 5.05DEG	[5]
27	106408210	1	WOBBLE DISC POLISHED 4.3DEG	[6]
27	106408213	1	WOBBLE DISC POLISHED 7.05DEG	[7]
28	106408204	1	Ring D32 x D20.1 x 3 Staal	
29	1802057	1	Zeegerring 20x1,2	
30	106408206	1	Kogellager Cyl. motor K81 212-TV AX. D11	
31	106408207	1	Lagerschaal motorlager	
32	106408201	1	MOTOR 5.2KW. 1X230	[8]
32	106408202	1	MOTOR 7.5KW. 3X230/400-220/440	[9]
32	106408200	1	MOTOR 6.8KW. 3X230/400-220/440	[10]
32	106408203	1	MOTOR 4.5KW. 3X230/400-220/440	[11]
32	106408185	1	MOTOR NA6 7KW/200/50/3PH	[12]
33	107140881	6	Vijls M5X12 DIN 7985 TORX	
34	106408249	2	FEET FOR MOTOR	

## Part Notes:

- [1] - 0,8L - OIL TYPES\_ QUANTITY for HPW\_ APRIL 2017  
 [2] - TSB-PPW-2018-012 NA5\_ NA6 mpu. Water enters into the stator.  
 [3] - Food

- 
- [4] - TSB-PPW-2019-007 C3 NA6 Wobble Disc and Bearing Track surface hardening change
- POSEIDON 6-65 FA - MC 6P-180/1300 FA 400/3/50 EU  
POSEIDON 6-65 FA - MC 6P-180/1300 FAXT 230-400/3/50 NO  
POSEIDON 6-65 FA 415/3/50 AU
- [5] - TSB-PPW-2019-007 C3 NA6 Wobble Disc and Bearing Track surface hardening change
- POSEIDON 6-64 FA - MC 6P 250/1100 FA 400/3/50 EU  
POSEIDON 6-64 FA - MC 6P-250/1100 FA 415/3/50 AU  
POSEIDON 6-56 FA - MC 6P-3000/6,0 FA 230-460/3/60 US  
POSEIDON 6-65 FA - MC 6P-180/1300 FA 220-440/3/60 EXPT  
MC 6P-230/1100 FA 200/3/50 JP
- [6] - TSB-PPW-2019-007 C3 NA6 Wobble Disc and Bearing Track surface hardening change
- 6-52 FA – MC 6P 150/1140 FA 220-240/1/60 USA,  
6-64 FA – MC 6P 250/1100 FA 220-230/440-460/3/60EXP  
MC 6P-230/1100 FA 200/3/60 JP
- [7] - 6-61 FFA – MC 6P 100/1610 FFA - 400V 3ph. 50Hz  
6-79 FA – MC 6P 170/1610 FA - 400V 3ph. 50 Hz
- [8] - 6-52 FA – MC 6P 150/1140 FA 220-240/1/60 USA  
Also order Gasket for motor, 107140875
- [9] - 6-64 FA – MC 6P 250/1100 FA 400/3/50-60  
6-73 FA 220/400/3/60,  
6-79 FA – MC 6P 170/1610 FA 400/3/50  
Also order Gasket for motor, 107140875
- [10] - 6-65 FA – MC 6P 180/1300 FA 230;400/3/50  
Also order Gasket for motor, 107140875
- [11] - 6-61 FFA – MC 6P 100/1610 FFA 400/3/50 EU  
Also order Gasket for motor, 107140875
- [12] - MC 6P-230/1100 FA 200/3/50-60 JP  
Also order Gasket for motor, 107140875
-



Pos.	Artikelnummer	Hoeveelheid	Omschrijving	Notes
1	101118057	1	SEAL KIT FOR CYLINDER BLOCK NA6	
2	101118066	1	PISTON KIT NA6	[1]
2	101118065	1	PISTON KIT W / MARKERING NA6 6 tot 79/6	[2]
3	101118059	1	RETURN SPRING - KIT NA6	
4	101118060	1	CILINDERBLOK - KIT NA6	
5	106408197	1	PUMP HEAD D24 NA6	
6	2767	8	Ringetje	
7	1813393	8	Schroef M10 X 100	
8	101118063	1	INLET MANIFOLD KIT - NA6	
9	101118062	1	OUTLET/INLET VALVE KIT - NA6	
10	101118277	1	WATER SEAL NA6 HEAVY DUTY HOT WATER KIT	[3]
10	101118276	1	WATER SEAL KIT - NA6	[3]

## Part Notes:

[1] - 6-52, 6-64, 6-65, 6-73

[2] - 6-61, 6-79

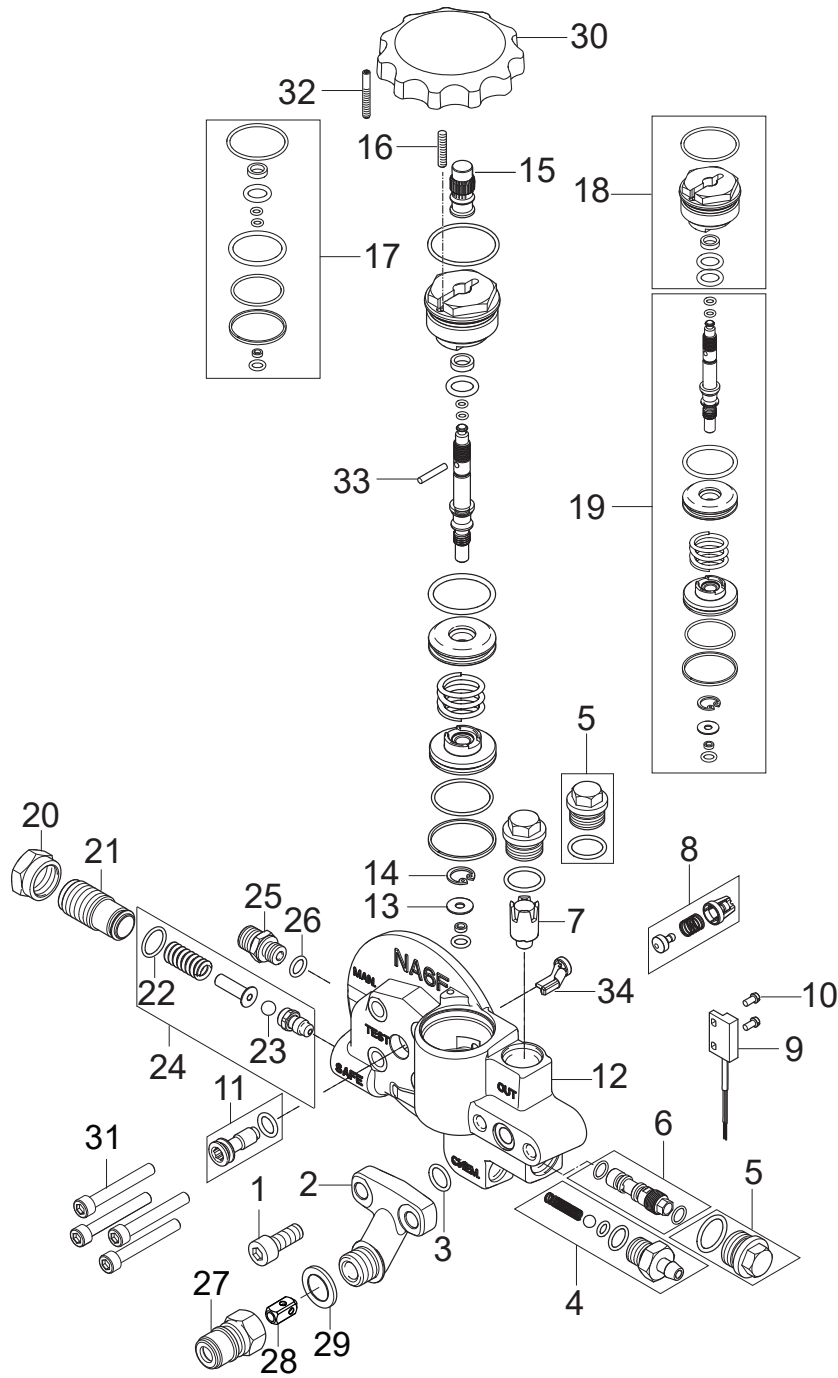
[3] - Implementation date: July 2017

Serial Number: 3520172701255

TSB-PPW-2017-017 NA6\_NA6plus Water Seal Kit changes

DE TSB-PPW-2017-017 NA6 und NA6 Wasserdichtungskit Überarbeitung

FR TSB-PPW-2017-017 Changement des kit joints d'eau pompe NA6





Pos.	Artikelnummer	Hoeveelheid	Omschrijving	Notes
1	106408193	2	SCHROEF M8X20 8.8 DIN 912 FZB	
2	106408192	1	Uitlaatkoppeling FA axiaal	
3	106408191	1	O-RING 10.82X1.78 NBR 70	
4	1119406	1	Reparatiekit terugslagventiel	
5	107144154	2	Olieplug M18 x 1.5 met o-ring	
6	107144112	1	Injector - NA5	[1]
6	107140794	1	VENTURIBUIS D2.3 ROOD	[2]
7	101118055	1	MAGNET AND HOUSE FOR FLOW SWITCH-KIT NA6	
8	101118056	1	RETURN VALVE BY-PASS - KIT NA6	[3]
9	106408216	1	Reed Schakelaar	
10	101118033	2	Bout M3X6 BRASS DIN 84 ISO 1207 KIT	
11	107144137	1	ONTLASTKLEP	
12	106408194	1	UNLOADER FA NA6	
13	106408196	1	WASHER D12.95 X D4.6 X 0.9 BRASS	
14	106408195	1	RETAINING RING SIZE 13 DIN472	
15	106408189	1	Moer M8 x1 v. Unloader Valve FA	
16	107146563	1	SCREW POINTED DIN 913 M4X16 FZG	
17	101118050	1	AFDICHTINGSKIT NA6	
18	101118051	1	PLUG FOR UNLOADER VALVE FA - KIT NA6	
19	101118049	1	CONTROL UNIT - KIT NA6	
20	6100928	1	moer	
21	6100940	1	Moer	
22	3001070	1	O-Ring 13,1 x 1,6	
23	1802644	1	Kogel 7 mm	
24	101118118	1	OPENING VALVE REP. KIT NA5 NA6 FA	
25	1821	1	Koppeling XGE 6LR 1/8	
26	3001740	1	O-ring	
27	1600493	1	Snelkoppeling mannelijk 3/8 inch	
27	1603101	1	Snelkoppeling RVS 3/8 inch	[4]
28	6101038	1	Zuiger v. terugslagventiel	
29	1801075	1	Dichtingsring 3/8 inch	
30	107140823	1	REGULATOR KNOB NA5/NA6	
31	9543	4	Bout.M 8X 55 ver	
32	107146562	1	DIN 413 M4X30 POINTED SCREW	
33	107146561	1	PIN DIA 3 X 18MM STAINLESS STEEL	
34	107144239	1	PLUG NA6FA BYPASS VALVE	[5]

Part Notes:

- [1] - 6-52 FA (US), 6-56 FA, 6-64 FA, 6-65 FA, 6-73 FA (US)  
6P 2300/5.0 FA (US), 6P 200/1110FA, 6P 230/1100FA (JP), 6P 250/1100 FA, 6P 180/1300 FA, 6P 250/1100 FA, 6P 3000/6.0 FA (US)
- [2] - 6-79 FA, 6-61 FFA  
6P 170/1600 FA, 6P 100/1600 FFA
- [3] - Spring included: OD8,2 x L9,3 x d0,5
- [4] - INOX
- [5] - MC 6P-180/1300 FAXT 400/3/50 EU, MC 6P-180/1300 FA 400/3/50 EU  
MC 6P-250/1100 FA 400/3/50 EU, MC 6P-180/1300 FAXT 230-400/3/50 NO  
MC 6P-180/1300 FA 220-440/3/60 EXPT, MC 6P-250/1100 FAXT 400/3/50 EU  
MC 6P-250/1100 FA 220-440/3/60 EXPT, MC 6P-250/1100 FA 415/3/50 AU  
MC 6P-200/1100 FAXT 400/3/50 EU  
  
TSB-PPW-2020-009 NA6 FA pump in MC and MH models unstable by-pass  
DE TSB-PPW-2020-009 NA6 FA Pumpe in MC und MH Instabile Bypass Funktion



Pos.	Artikelnummer	Hoeveelheid	Omschrijving	Notes
1	106403122	1	ERGO 2000 st. + anti-draaikoppeling	[1]
1	106403154	1	ERGO 2000 SPRAY GUN W/O LOGO ACC.	[2]
2	106403010	1	TornadoPlus 1120 gebogen	[3]
3	101119760	1	TornadoPlus nozzel 1300 1/ 8 inch	[4]
3	101119747	1	TornadoPlus nozzel 0680 1/ 8 inch	[5]
3	101119748	1	TornadoPlus nozzel 0700 1/ 8 inch	[6]
3	301150005	1	TornadoPlus nozzel 0475 1/8 inch	[7]
3	101117655	1	Tornado nozzel 0950 donkerroze	[8]
4	106403078	1	TURBOHAMMER PLUS 1130 STR./NOZ. W11 1000	[9]
4	48872	1	TurboHamer 1/8 inch nozzel 050 0W11 inch	[7]
4	301001629	1	Herstellingskit turbohammer W11 100	[8]
5	1402064	1	Hogedrukslang 3/8 inch 15 m	[10]
5	6101766	1	Hogedrukslang 3/8 inch 10 m	[10]
5	6101767	1	Hogedrukslang 3/8 inch non-marking 10 m	[10]
5	1402072	1	Hogedrukslang 3/8 inch 20 m	[10]
6	106403145	1	Voorwiel kit	[11]
7	106403142	1	Zandfilter met bevestiging	[12]
8	106403144	1	Vlotterbak kit	[13]
8	106403165	1	Zandfilter voor wbt kit	[14]
9	106403160	1	Hijsoog 1000 kg 50 cm	[15]
10	106403162	1	Rein.middelentank met veiligheidsdop	[16]
11	106403143	1	Kit slanghaspel	[17]
12	101118105	1	Slanggeleider compleet	[17]

## Part Notes:

- [1] - ERGO 2000 Spray handle
- [2] - UNITOR
- [3] - TORNADO PLUS lance
- [4] - 6-61
- [5] - 6-52 US, 7-67
- [6] - 6-65
- [7] - 6-64
- [8] - 6-79
- [9] - 6-79  
TURBOHAMMER PLUS lance
- [10] - HOSES Overview
- [11] - PRUNED-NO REPLACEMENT  
106403145 - Front wheel kit
- [12] - SANDFILTER KIT POSEIDON 5-6-7 from September 2012
- [13] - PRUNED-NO REPLACEMENT  
106403144 - WATER BRAKE TANK POSEIDON 5-6-7 from September 2012
- [14] - PRUNED-NO REPLACEMENT  
106403165 - SANDFILTER FOR WBT POSEIDON 5-6-7 from September 2012
- [15] - PRUNED ACCESSORY  
Crane roundsling 1000kg 50cm
- [16] - 106403162 - Detergent tank with safety cap
- [17] - Hose reel



Pos.	Artikelnummer	Hoeveelheid	Omschrijving	Notes
	101118106	1	HOSE GUIDE BRAKE COMPLETE KIT	
	101118111	1	HOSE GUIDE KIT	
	101118102	1	SLANGHASPEL HANDLE KIT	
	101118104	1	SPRING AND LOCK NUT KIT	
	107141632	1	Kabelhaak	
	107141667	1	Sluistring	
	107141648	1	MANOMETER 0-300 BAR	
	107141679	1	HOSE GUIDE SLEEVE OPEN	
	107141633	1	TERMINAL BLOCK 4Q PE	
	107141627	1	SCREW K50X40 T20	
	107141635	1	Reinigingsmiddel tank 2,5 l	
	107141664	1	Top voor zeeptank	
	107141615	1	RUBBER FOOT	
	107141629	1	HOSE HOOK	
	107141650	1	PLATE FOR MANOMETER	
	107141634	1	REAR END	
	101118103	1	Geleider hd slang kit haspel	
	107141668	1	WATERTOEVERLEIDING NA5-NA6	
	107141630	1	Lanshouder montage aan frame	
	107141653	1	Buis manometer FA modellen	
	107141676	1	DRAAISTEUN SCHROEF VOOR SLANGHASPEL	
	101118101	1	HANDLE KIT	
	107141663	1	RUBBER GROMMET	
0A	101117926	1	Filter	[1]
0A	101118050	1	AFDICHTINGSKIT NA6	[1]
0A	101118277	1	WATER SEAL NA6 HEAVY DUTY HOT WATER KIT	[1]
0A	101118055	1	MAGNET AND HOUSE FOR FLOW SWITCH-KIT NA6	[1]
0A	101118056	1	RETURN VALVE BY-PASS - KIT NA6	[2]
0A	101118062	1	OUTLET/INLET VALVE KIT - NA6	[1]
0A	101118057	1	SEAL KIT FOR CYLINDER BLOCK NA6	[1]
0B	101118059	1	RETURN SPRING - KIT NA6	[3]
0B	101118066	1	PISTON KIT NA6	[3]
0B	106408216	1	Reed Schakelaar	[3]
0C	31000151	1	REAR BEARING EME	[4]
0C	106408210	1	WOBBLE DISC POLISHED 4.3DEG	[5]
0C	3200656	1	Lager	[4]
0C	106408213	1	WOBBLE DISC POLISHED 7.05DEG	[4]
0C	107143182	1	CAPACITOR 70UF 450/500V RP-3	[4]
0C	106408212	1	Wobble disk polished 5.8DEG	[5]
0C	101118049	1	CONTROL UNIT - KIT NA6	[4]
0C	107141666	1	PCB POSEIDON 5-6-7	[4]
0C	106408202	1	MOTOR 7.5KW. 3X230/400-220/440	[4]
0C	103822303	1	CONTACTOR CJX2-D18-V7 400	[4]
0C	106408200	1	MOTOR 6.8KW. 3X230/400-220/440	[4]
0C	106408211	1	Wobble disk 5.05DEG	[6]
0C	301001058	1	Schakelaar 10A	[4]
0C	103822314	1	CONTACTOR CJX2-D32 32A 230V 3P+NO	[4]
0C	107142761	1	START RELAY RVA4G0C	[4]
0C	3200615	1	Lager	[4]
0C	106408189	1	Moer M8 x1 v. Unloader Valve FA	[4]
0C	106408201	1	MOTOR 5.2KW. 1X230	[4]
0C	301000402	1	Weerstand 15kohm	[4]
0C	31000149	1	Kogellager 6306 2Z C3 150 GRADEN RF	[4]
0C	106408203	1	MOTOR 4.5KW. 3X230/400-220/440	[4]
0C	64773	1	Auxiliary contact	[4]
0C	101118067	1	Lagerschaal voor CPL.	[4]
0C	101118063	1	INLET MANIFOLD KIT - NA6	[4]
0C	101118051	1	PLUG FOR UNLOADER VALVE FA - KIT NA6	[4]

Pos.	Artikelnummer	Hoeveelheid	Omschrijving	Notes
0C	301000263	1	Zekering 0,63A 500V traag	[4]
0C	103822308	1	Contactoor	[4]

Part Notes:

- [1] - A
- [2] - A  
Spring included: OD8,2 x L9,3 x d0,5
- [3] - B
- [4] - C
- [5] - C  
TSB-PPW-2019-007 C3 NA6 Wobble Disc and Bearing Track surface hardening change
- [6] - C  
  
TSB-PPW-2019-007 C3 NA6 Wobble Disc and Bearing Track surface hardening change

