

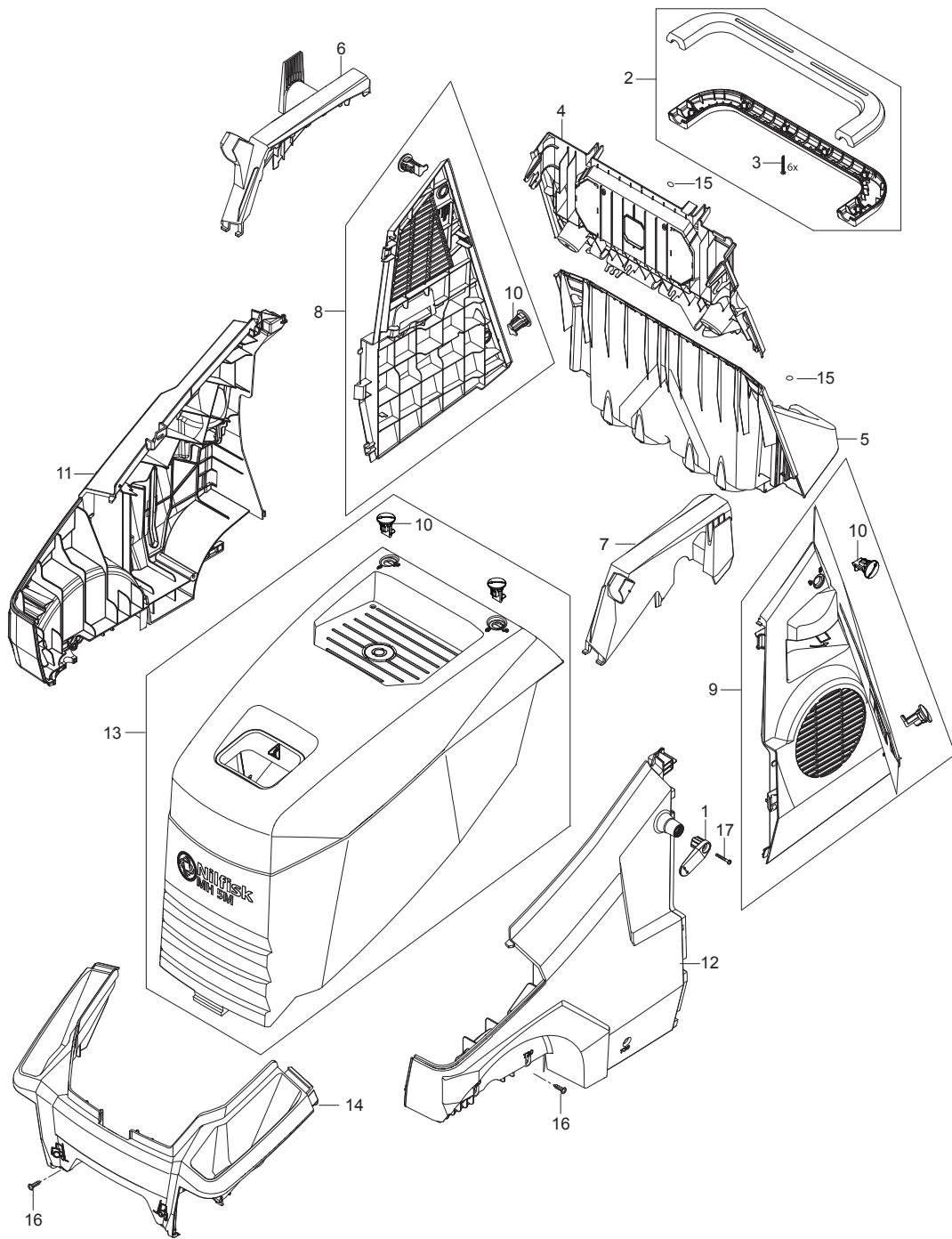
PARTS LIST



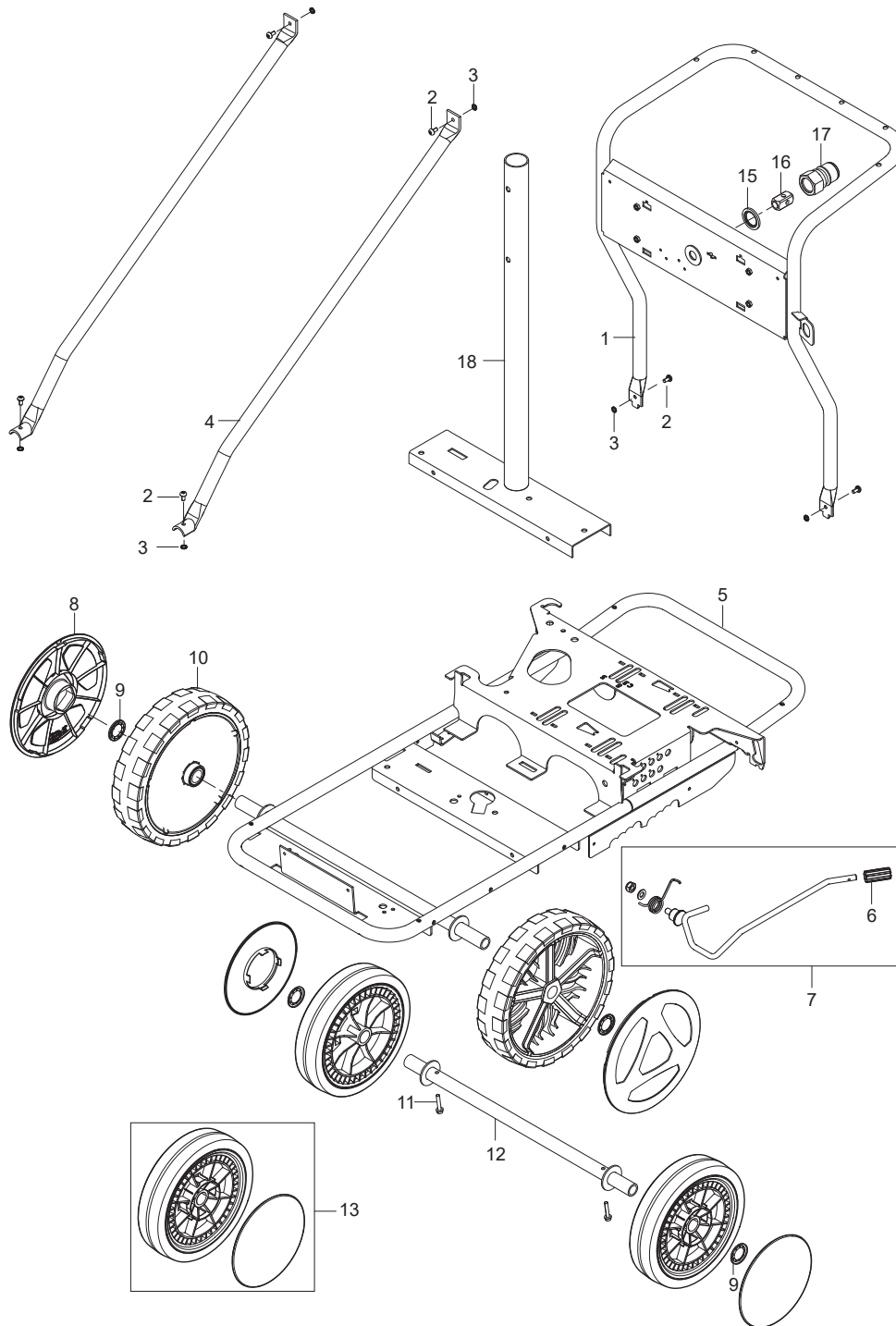
2021.03.24

TABLE OF CONTENTS

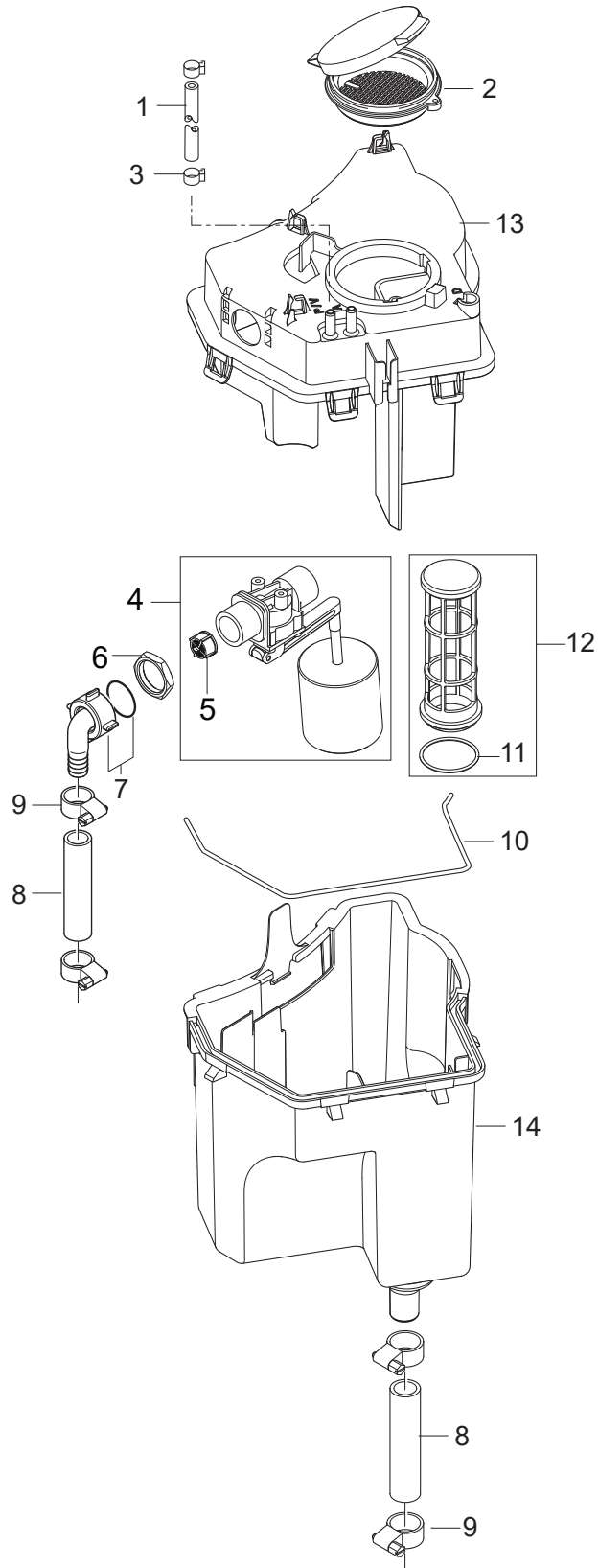
Cabinet.....	1
Chassis large.....	3
Water break tank.....	5
Hose reel.....	7
Water inlet_PA.....	9
Water inlet_FA.....	11
Anti-scale.....	13
Fuel tank 30L.....	15
Electric box for motor 1~,3~ STAR and 3~ DELTA.....	17
Electric box for motor Star/Delta.....	19
1x detergent.....	21
Electric box.....	23
Cables and wires.....	26
Motor pump.....	28
Cylinder block.....	30
Water flow regulation_FA.....	32
Unloader_PA.....	34
Flow control FA.....	36
Flow control PA_ w manometer.....	38
Fan.....	40
Burner.....	42
Boiler B5.....	44



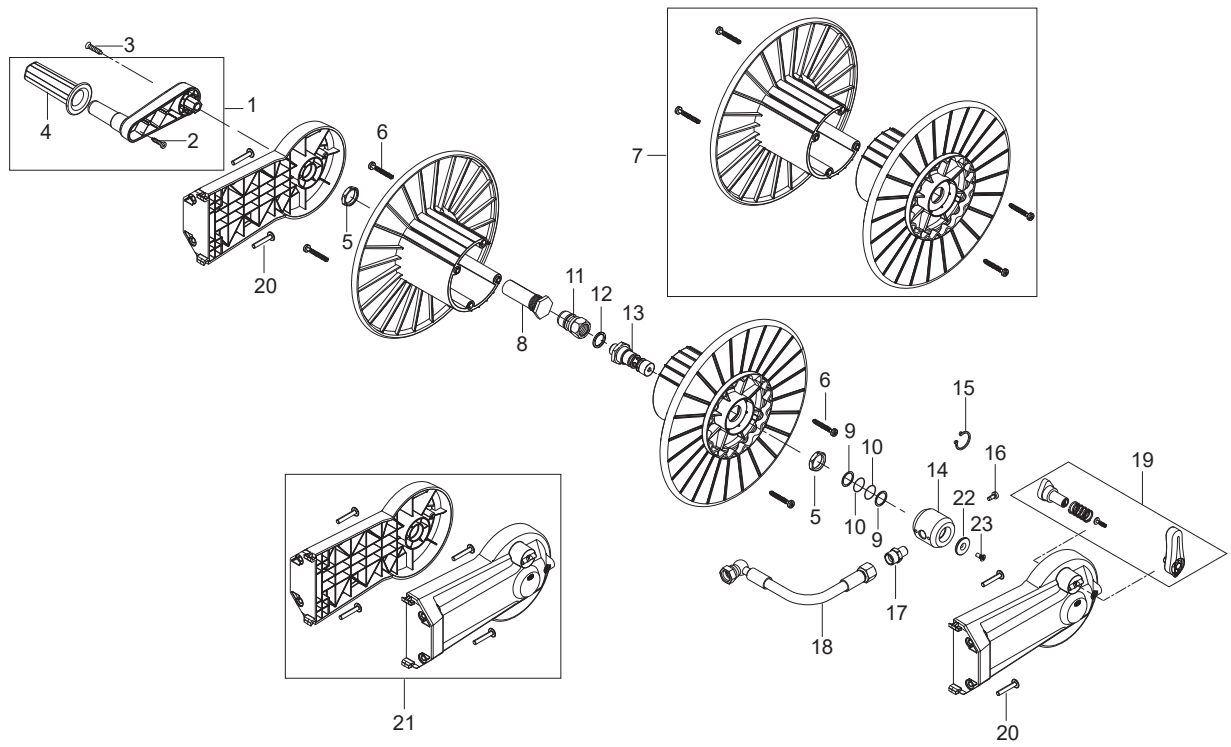
Pos.	Artikelnummer	Hoeveelheid	Omschrijving	Notes
1	107143025	1	Kabelhaak Klem Blauw	
2	101118192	1	HANDLE KIT	
3	909100148	6	Screw K40x30 WN 1452	
4	107143013	1	REAR END TOP	
5	107143014	1	REAR END BOTTOM	
6	107143021	1	COVERING FOR HANDLE RIGHT	
7	107143022	1	COVERING FOR HANDLE LEFT	
8	107143023	1	DOOR W/LOCKS MPU NA5-NA6 RIGHT	
9	107143019	1	DOOR LEFT W/LOCKS	
10	301001261	6	Locking bolt	
11	107143130	1	SIDE BUMPER LARGE RIGHT	
12	107143131	1	SIDE BUMPER LARGE LEFT	
13	101118201	1	CABINET MH 5M NILFISK KIT	
14	107143015	1	FRONT BUMPER	
15	107143009	6	BLIND PLUG D16.5 FOR T30 BLACK PE	
16	107143018	12	SCREW M6X16	
17	107141838	7	SCREW K50X18 WN1451 BLACK TORX20	



Pos.	Artikelnummer	Hoeveelheid	Omschrijving	Notes
1	31001157	1	FRAME HANDLE	
2	107143018	6	SCREW M6X16	
3	107143146	6	WASHER SERRATED M6	
4	31001158	2	HANDLE STIFFENER LONG	
5	31001159	1	FRAME LARGE WELDED	
6	107143028	1	BRAKE KNOB	
7	101118229	1	BRAKE ARM LONG KIT	
8	107145780	2	WHEEL CAP FOR WHEEL Ø300X65 - NILFISK	
9	46363	4	Klemring	
10	107145637	2	WHEEL D300X65	
11	107143027	2	SCREW M6X35 SW10 DIN7500D FZB	
12	31001160	1	WHEEL AXLE REAR	
13	107143304	2	WHEEL D250 HEAVY LOAD W/CAP	
15	1801075	1	Dichtingsring 3/8 inch	
16	107143066	1	PISTON	
17	1600493	1	Snelkoppeling mannelijk 3/8 inch	
18	31001161	1	BOILER TUBE W. BRACKET LARGE	



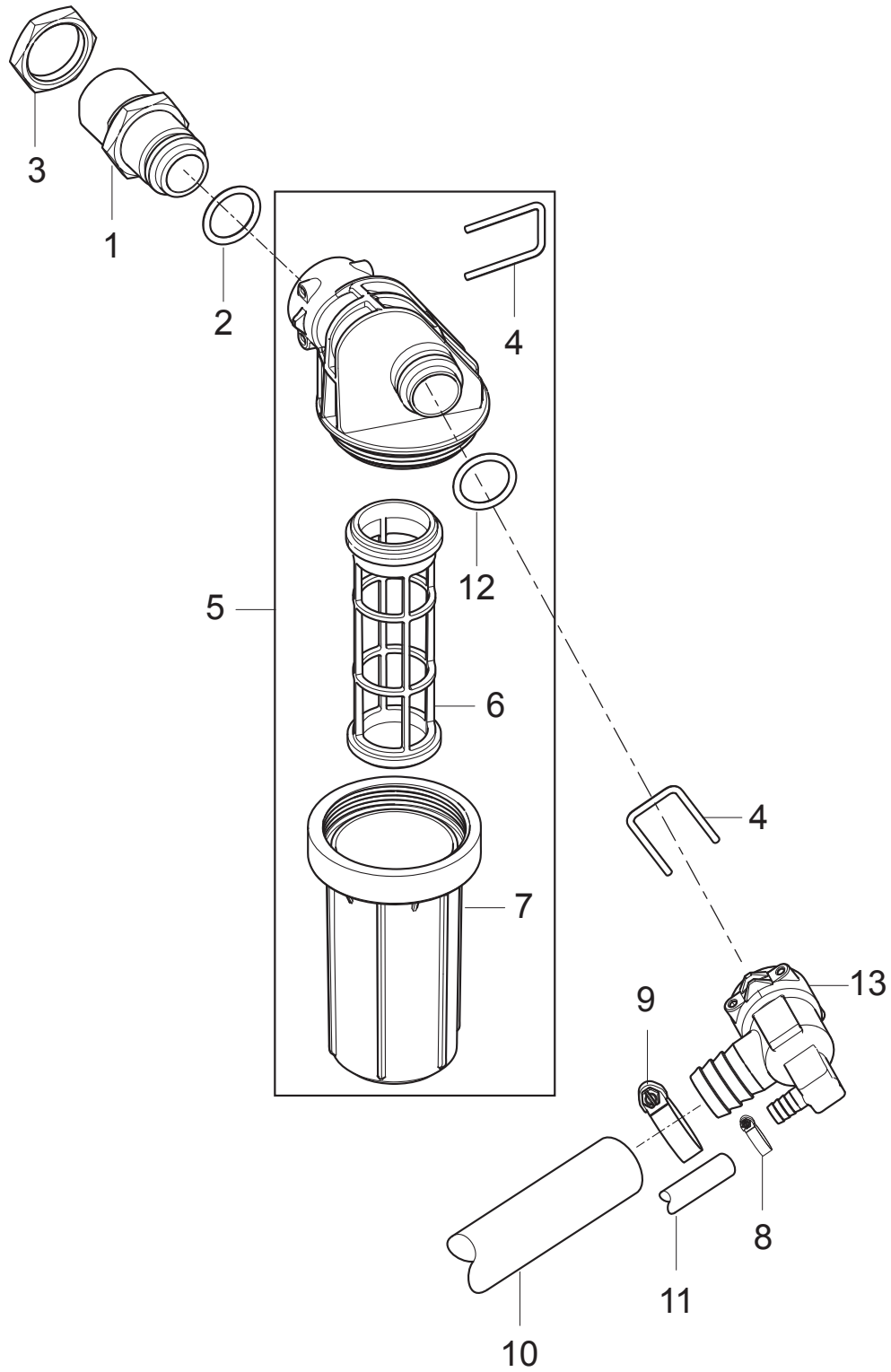
Pos.	Artikelnummer	Hoeveelheid	Omschrijving	Notes
1	101406100	1	HOSE DN 6X3 5M	
2	301000561	1	Deksel chemietank	
3	301001133	2	Slangklem 10/7	
4	101117784	1	Afsluitklep	
5	34218	1	Vuilfilter	
6	1800341	1	MOER 3/4 INCH RG	
7	107143084	1	HOSE COUPLING 90° 20X3/4 PP W/NUT/GASKET	
8	107143031	1	FUELFLEX HOSE D28/D20 10BAR/20°	
9	8298	4	Slangklem 16-27	
10	101406054	1	Spons Rubber O4 L 1 M	
11	107143032	1	O-RING D30X2 SHORE70 NBR BLACK	
12	106403194	1	FILTER FOR WATER BREAK TANK ACCESSORY	
13	107143060	1	COVER FOR WATER TANK	
14	107143030	1	WATER BREAK TANK	



Pos.	Artikelnummer	Hoeveelheid	Omschrijving	Notes
0	106403184	1	HOSE REEL NILFISK ACCESSORY	
1	101118215	1	HANDLE FOR HOSE REEL NILFISK	
2	107141838	2	SCREW K50X18 WN1451 BLACK TORX20	
3	107141673	1	SCREW M6X45 ISO 7380 BLACK TORX	
4	107143007	1	ROTATING HANDLE FOR HOSE REEL NILFISK	
5	62696	2	Moer	
6	909100153	4	Schroef 6x40	
7	101118209	1	HOSE REEL SIDE KIT	
8	107141675	1	As voor slanghaspel	
9	107143017	2	BACK-UP RING	
10	19620	2	O-Ring 15.54x2.62 DIN 377	
11	1600493	1	Snelkoppeling mannelijk 3/8 inch	
12	1801075	1	Dichtingsring 3/8 inch	
13	107143123	1	SWIVEL FOR HOSE REEL	
14	101118317	1	BEARING BUSH KIT	[1]
15	1802057	1	Zeegerring 20x1,2	[2]
16	107141690	1	Bout M5X12 DIN7985 torx tap.	
17	54590	2	Fitting	
18	107143114	1	CONNECTION HOSE DN8 FOR HOSE REEL	
19	101118212	1	020KE HANDLE FOR HOSE REEL NILFISK KIT	
20	107143010	4	SCREW M6X35	
21	101118208	1	HOSE REEL ADAPTOR KIT	
22	107143125	1	WASHER 25 FOR COUNTERSUNK M5	[3]
23	107143124	1	COUNTERSUNK M5X12 ISO 14581	[3]
		1	Mounting instr. for Hose Reel Nilfisk	[4]

Part Notes:

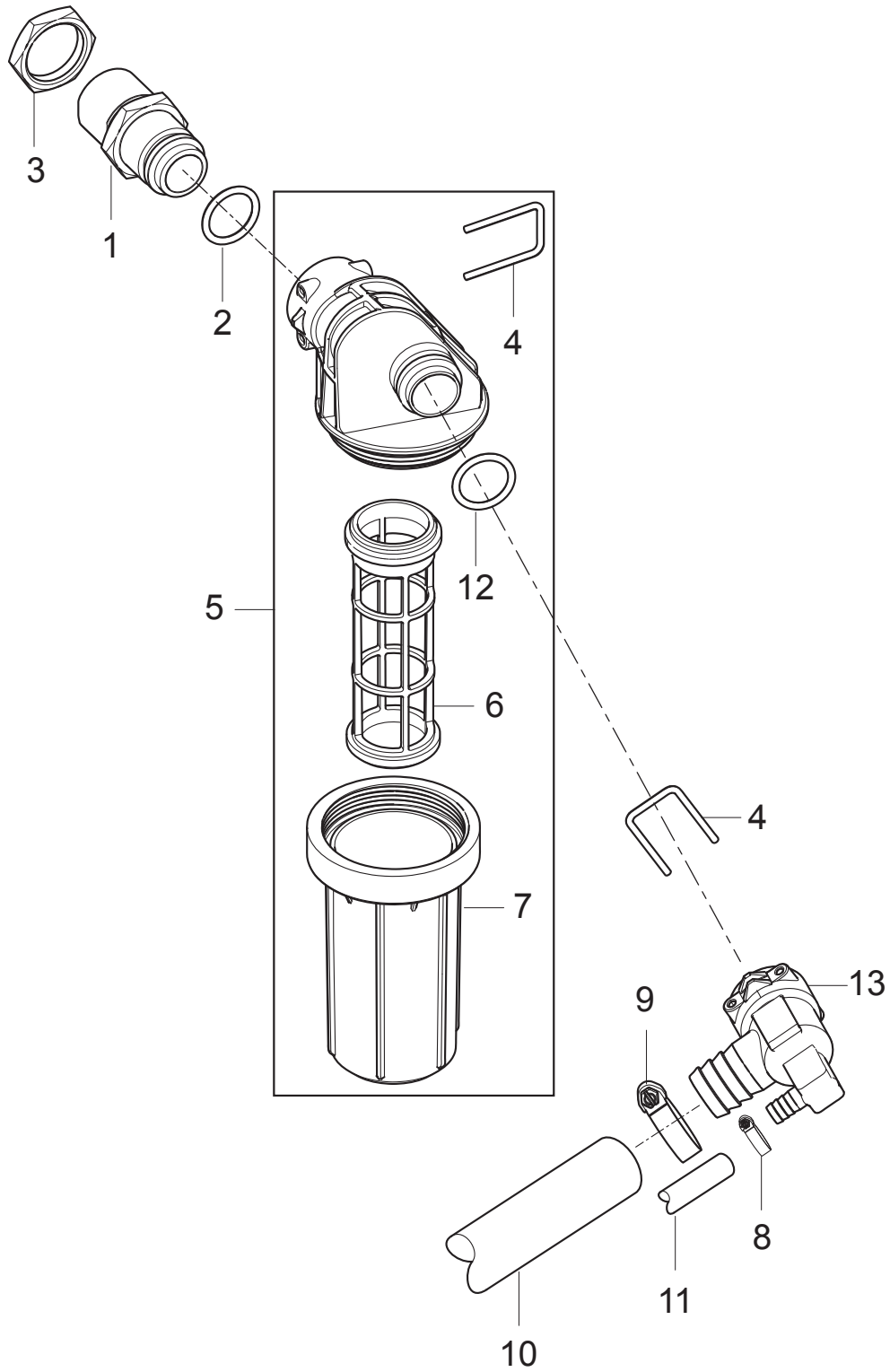
- [1] - TSB-PPW-2019-005 MH Hose Reel Screw 107143124 can break
DE TSB-PPW-2019-005 MH Schlauchtrommel Schraube 107143124 kann brechen
TSB-PPW-2019-005 vis cassée à l'enrouleur des MH
- [2] - Up to 07.2016
- [3] - TSB-PPW-2016-018 MH 4M Hose Reel Circlip
- [4] - Mounting instructions MH Nilfisk hose reel



Pos.	Artikelnummer	Hoeveelheid	Omschrijving	Notes
1	107143086	1	Inlaatkoppeling voor water	
2	107143088	2	O-RING 18.72X2.62	
3	1800341	1	MOER 3/4 INCH RG	
4	107143085	2	LOCK PIN	
5	107144272	1	FILTER CPL. MH 5000MM2 50µ ACCESSORY	
6	31001100	1	FILTER CARTRIDGE WITHOUT FLANGE	[1]
7	31001011	1	GLAS FOR WATER FILTER	[1]
8	11654	1	Slangklemmen D-11,5	
9	8298	1	Slangklem 16-27	
10	107143031	1	FUELFLEX HOSE D28/D20 10BAR/20°	
11	101406100	1	HOSE DN 6X3 5M	
12	107143088	1	O-RING 18.72X2.62	
13	107143089	1	Water inlaatkoppeling voor PA	

Part Notes:

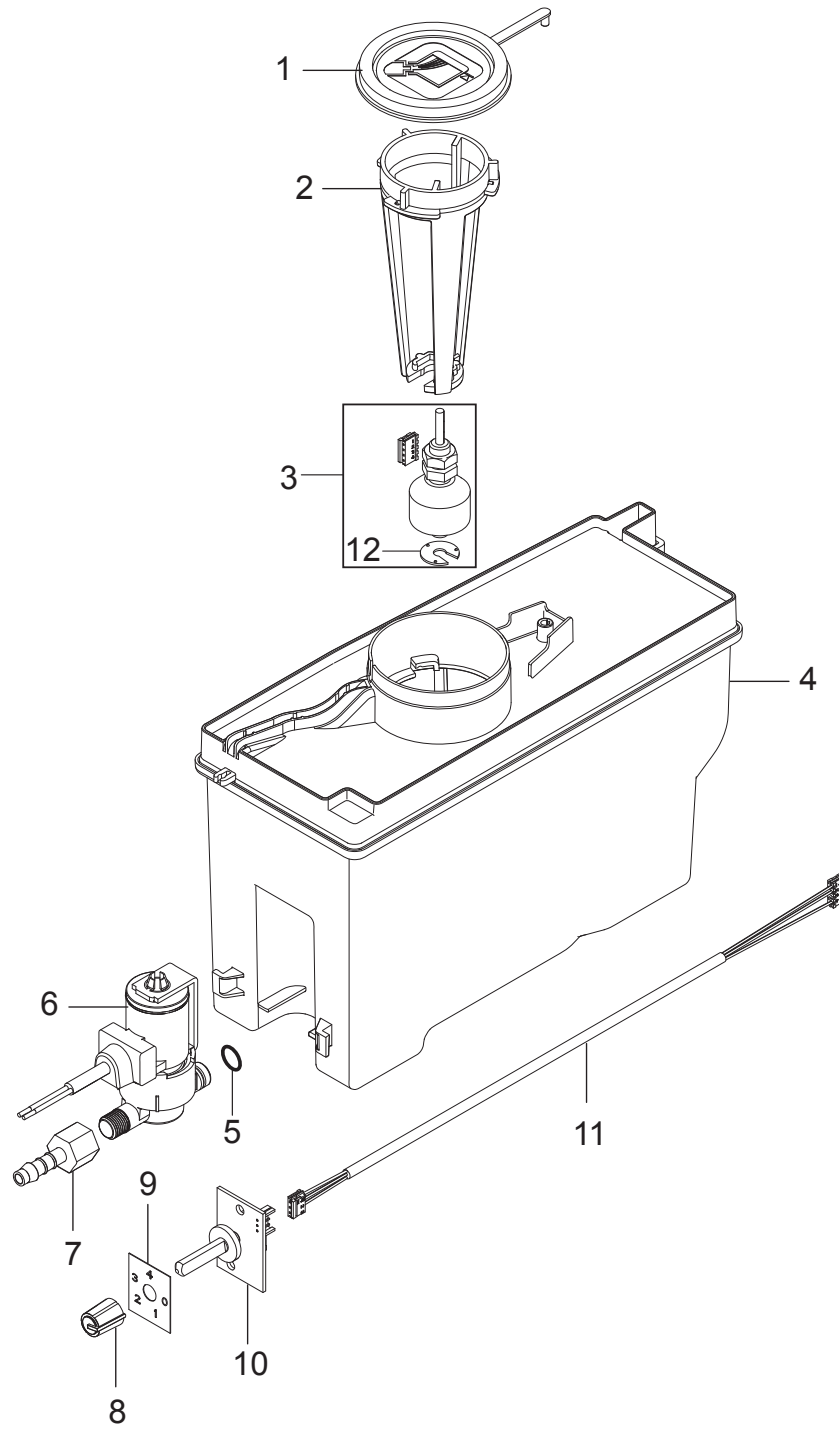
- [1] - TSB-PPW-2020-006 Water inlet filter cartridge and filter glass improved
 TSB-PPW-2020-06 Cartouche de filtre d'entrée d'eau et bocal de filtre amélioré
 DE TSB-PPW-2020-006 Wasserzulauffilter Glas und Filtereinsatz verbessert



Pos.	Artikelnummer	Hoeveelheid	Omschrijving	Notes
1	107143086	1	Inlaatkoppeling voor water	
2	107143088	2	O-RING 18.72X2.62	
3	1800341	1	MOER 3/4 INCH RG	
4	107143085	2	LOCK PIN	
5	107144272	1	FILTER CPL. MH 5000MM2 50µ ACCESSORY	
6	31001100	1	FILTER CARTRIDGE WITHOUT FLANGE	[1]
7	31001011	1	GLAS FOR WATER FILTER	[1]
8	11654	1	Slangklemmen D-11,5	
9	8298	1	Slangklem 16-27	
10	107143031	1	FUELFLEX HOSE D28/D20 10BAR/20°	
11	101406100	1	HOSE DN 6X3 5M	
12	107143088	1	O-RING 18.72X2.62	
13	107143087	1	Water inlaatkoppeling voor FA	

Part Notes:

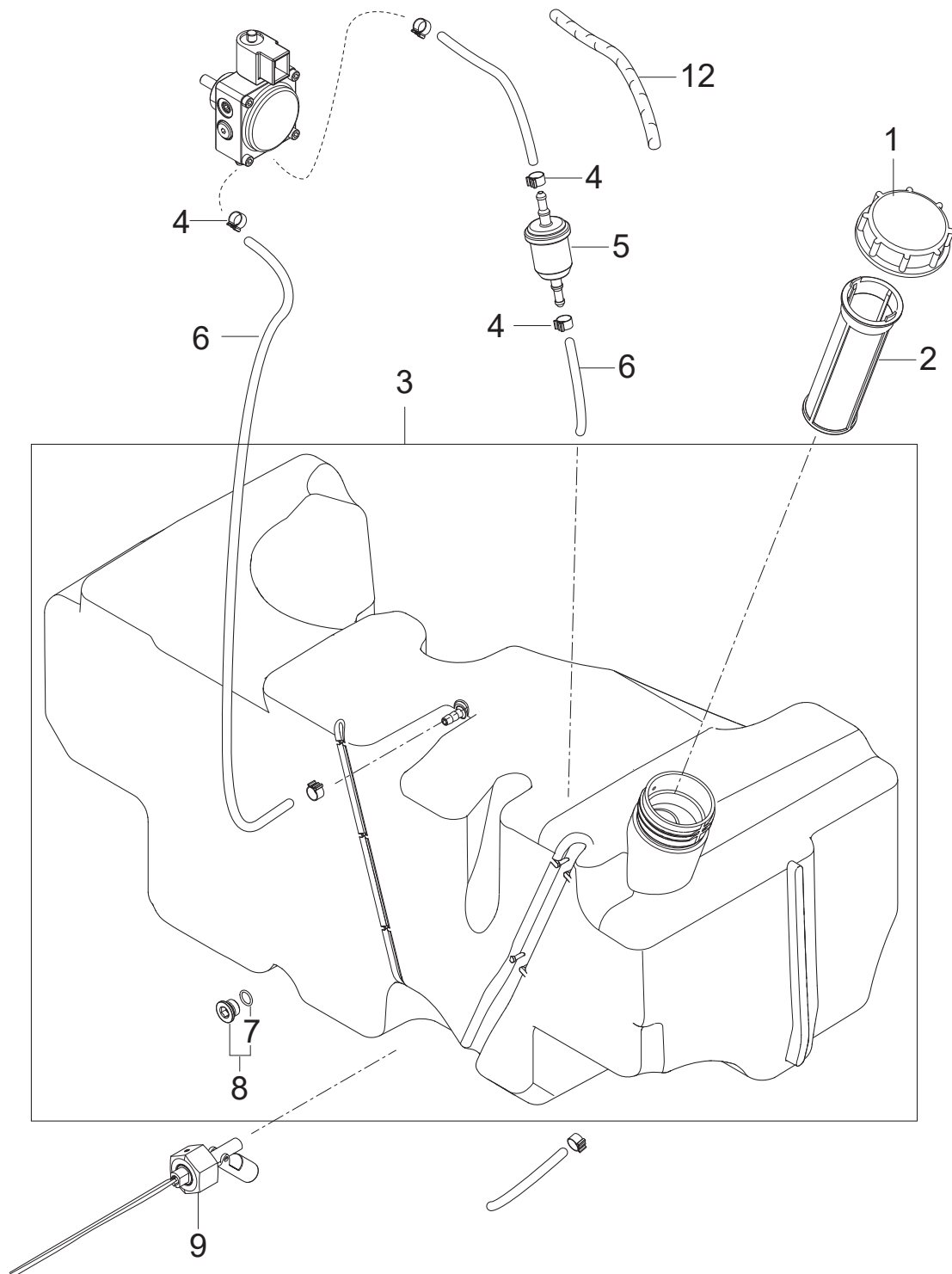
- [1] - TSB-PPW-2020-006 Water inlet filter cartridge and filter glass improved
 DE TSB-PPW-2020-006 Wasserzulauffilter Glas und Filtereinsatz verbessert
 TSB-PPW-2020-06 Cartouche de filtre d'entrée d'eau et bocal de filtre amélioré



Pos.	Artikelnummer	Hoeveelheid	Omschrijving	Notes
1	45646	1	COVER	
2	107143040	1	LEVELSENSOR BRACKET FOR ANTISCALE	
3	101118214	1	FLOAT SWITCH KIT	
4	107143041	1	ANTISCALE TANK CPL.	
5	31001036	1	O-RING 6X2 NBR 70SH	
6	107143037	1	DOSING VALVE RPE 24VAC	
7	107143036	1	HOSE FITTING D6X1/8 PA	
8	107318222	1	PUSH-ON KNOB 11MM/6MMD/WH	
9	107143042	1	LABEL FOR ANTISCALE	
10	101117730	1	PCB for Potentiometer	
11	107143038	1	Kabel Voor Adjustment Anti Scale	
12	107142593	1	Borgring clip	[1]

Part Notes:

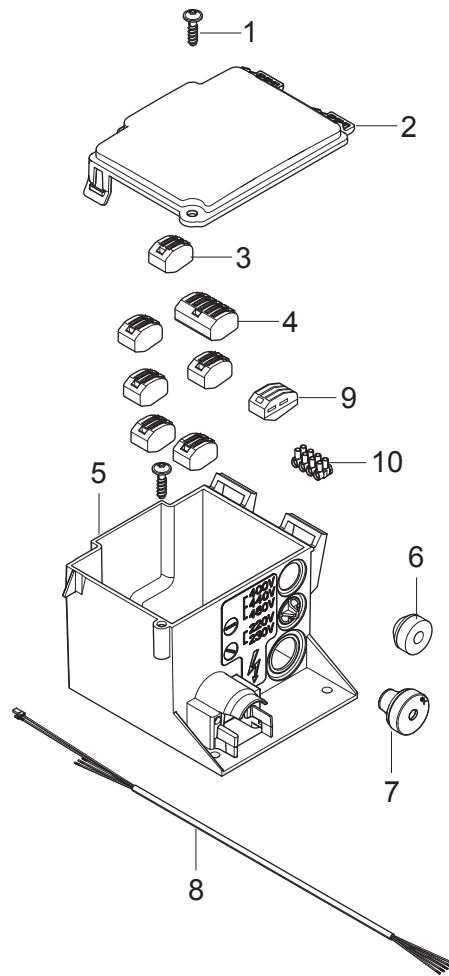
- [1] - TSB-PPW-2016-017 Locking ring for oil level switch falling off



Pos.	Artikelnummer	Hoeveelheid	Omschrijving	Notes
1	107143034	1	FUEL TANK LID - RED	
2	107144862	1	STRAINER Ø49,5X140	
3	107143136	1	FUEL TANK 30L	
4	301001133	6	Slangklem 10/7	
5	301002926	1	Filter	
6	106408244	0.35	HOSE D6X2.5 - 5 METERS	
7	3000072	1	O-Ring 10,1x1,6 nitril 7 0 sh	
8	6180906	1	Plug met o-ring	
9	107143033	1	LEVEL SENSOR FUEL TANK	
10	107143164	1	BEND PROTECTOR	[1]

Part Notes:

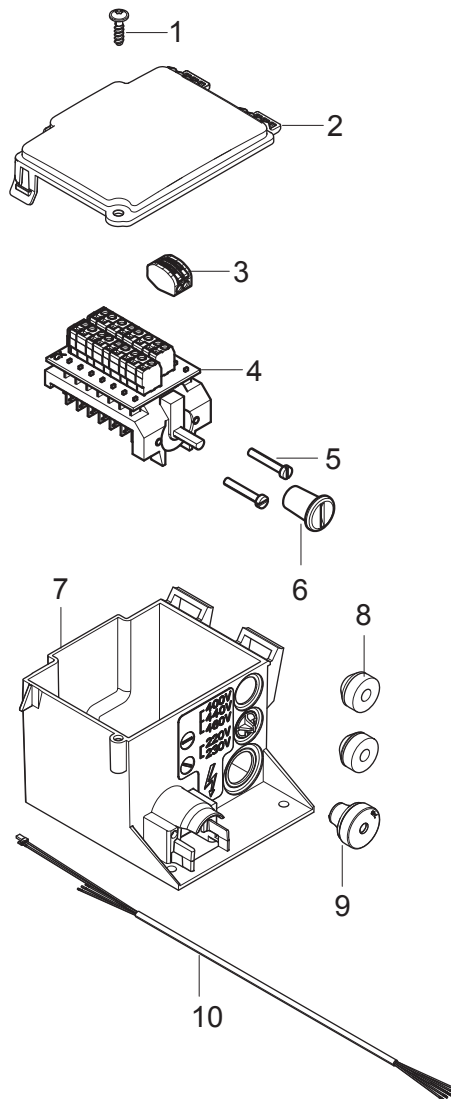
- [1] - DE TSB-PPW-2017-006 MH 3, 4, 5, 6, 7 Kraftstoffschlauch kann durch zu st...
TSB-PPW-2017-006 MH 3, 4, 5, 6, 7 Fuel hose can bend and block for fuel



Pos.	Artikelnummer	Hoeveelheid	Omschrijving	Notes
1	107141838	1	SCREW K50X18 WN1451 BLACK TORX20	
2	301000782	1	Deksel 128,2x112,5x31,7 f . Kle	
3	107143069	6	BORNIER WAGO 2 POLES	
4	301002165	1	Snoer Klem 5-Polig	
5	107143074	1	E-BOX	
6	3803764	1	Rubber seal set 5-7c	
7	3803772	1	RubberBus Tet 7-10C	
8	107143075	1	Motor Kabel 5G1.5 Voor 3~	[1]
8	107143076	1	Motor Kabel 5G1.5 Voor 1~	[2]
8	107143071	1	Motor Kabel 5G2.5 Voor Star/Delta	[3]
8	107143129	1	Motor Kabel 4G4 Delta MH5-6-7	[4]
9	107143069	1	BORNIER WAGO 2 POLES	[5]
10	107143158	1	DOMINO 4 POLES 10MM2	[6]

Part Notes:

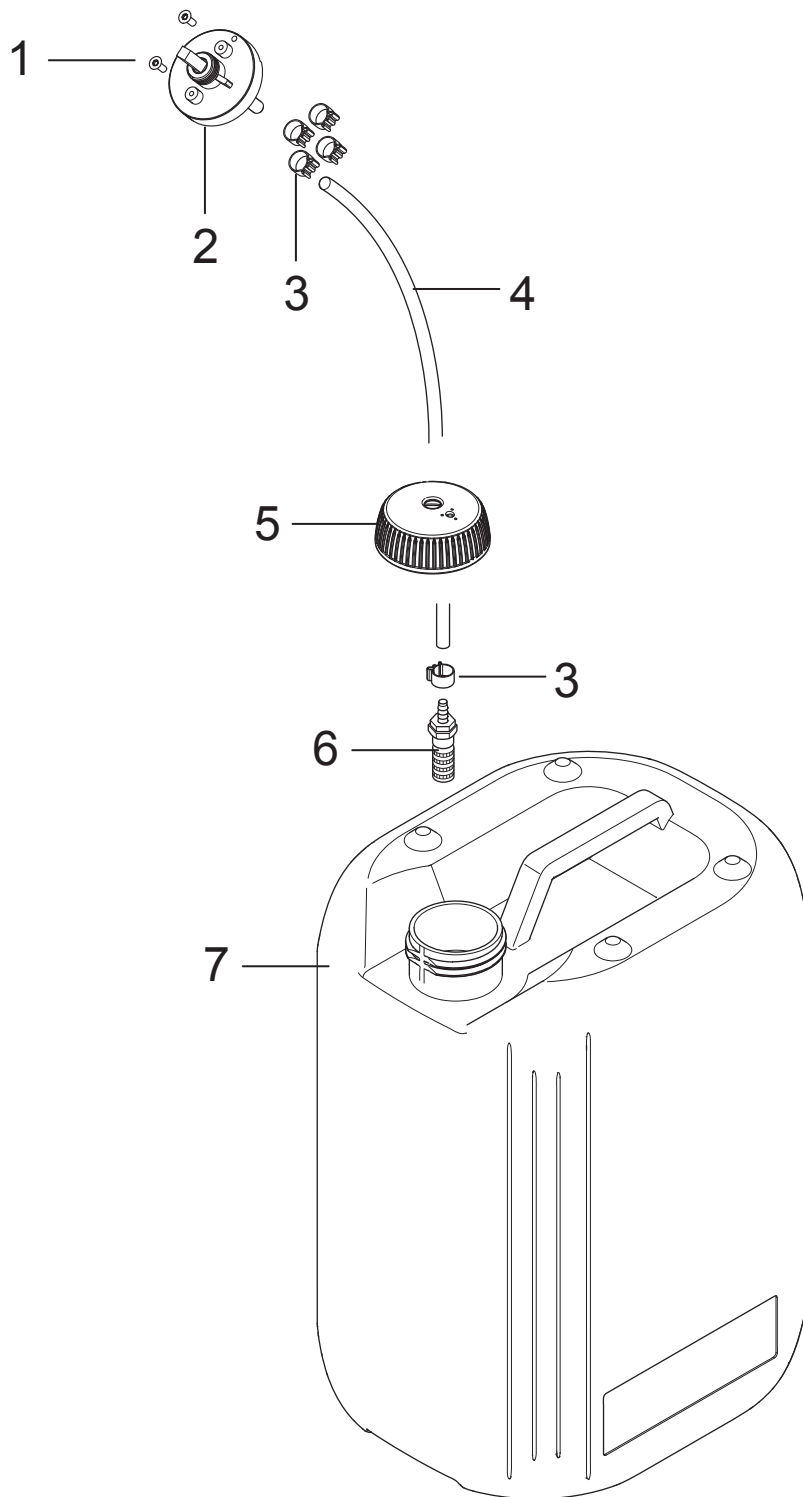
- [1] - MH4, MH5-200
- [2] - MH4 1ph, MH5 1ph
- [3] - MH4 (JP), MH5 (not MH5-200), MH6, MH7
- [4] - MH6 JP, MH7JP
- [5] - 1~
- [6] - MH5-6-7 - Delta, JP



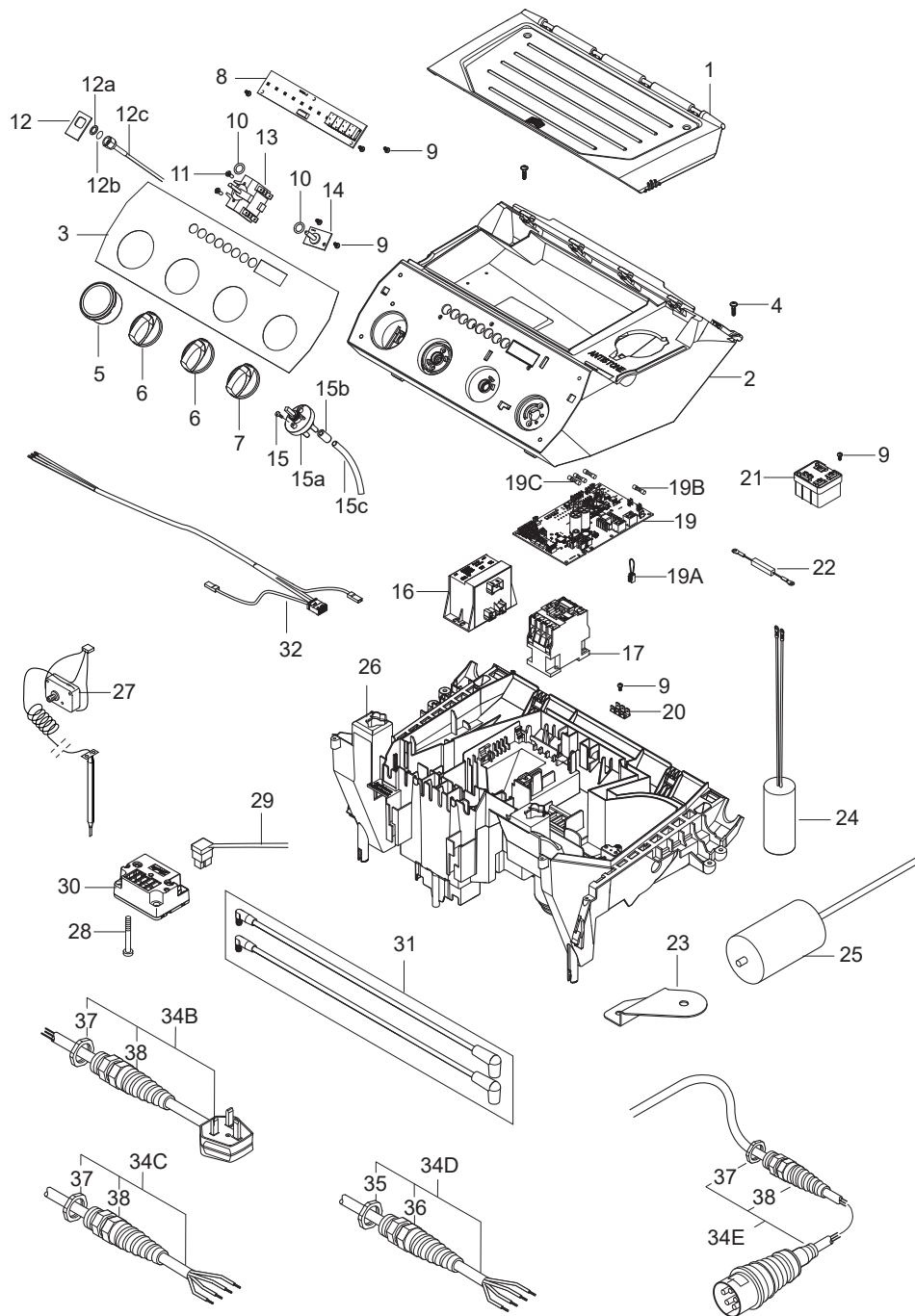
Pos.	Artikelnummer	Hoeveelheid	Omschrijving	Notes
1	107141838	1	SCREW K50X18 WN1451 BLACK TORX20	
2	301000782	1	Deksel 128,2x112,5x31,7 f . Kle	
3	107143069	1	BORNIER WAGO 2 POLES	
4	107143073	1	PCB SWITCH STAR/DELTA	
5	101117739	2	SCREW HEX M4X22-8.8 A2K DIN912	
6	64580	1	Draaiknop	[1]
7	107143074	1	E-BOX	
8	3803764	2	Rubber seal set 5-7c	
9	3803772	1	RubberBus Tet 7-10C	
10	107143071	1	Motor Kabel 5G2.5 Voor Star/Delta	

Part Notes:

- [1] - TSB-PPW-2016-007 Rotary knob for Voltage selector switch 230V-400V must be sealed with lacquer
 DE TSB-PPW-2016-007 Drehknopf des Spannungsauswahlschalters 230V-400V muss mit Lack versiegelt werden



Pos.	Artikelnummer	Hoeveelheid	Omschrijving	Notes
1	1814730	2	Moer M4	
2	301001000	1	Doseerventiel	
3	301001133	8	Slangklem 10/7	
4	106408243	1	Doorzichte slang 1/4-5 m	
5	107141664	2	Top voor zeep tank	
6	107145440	2	Strainer Klepkit cpl.	
7	80518	1	CANISTER 10 L	

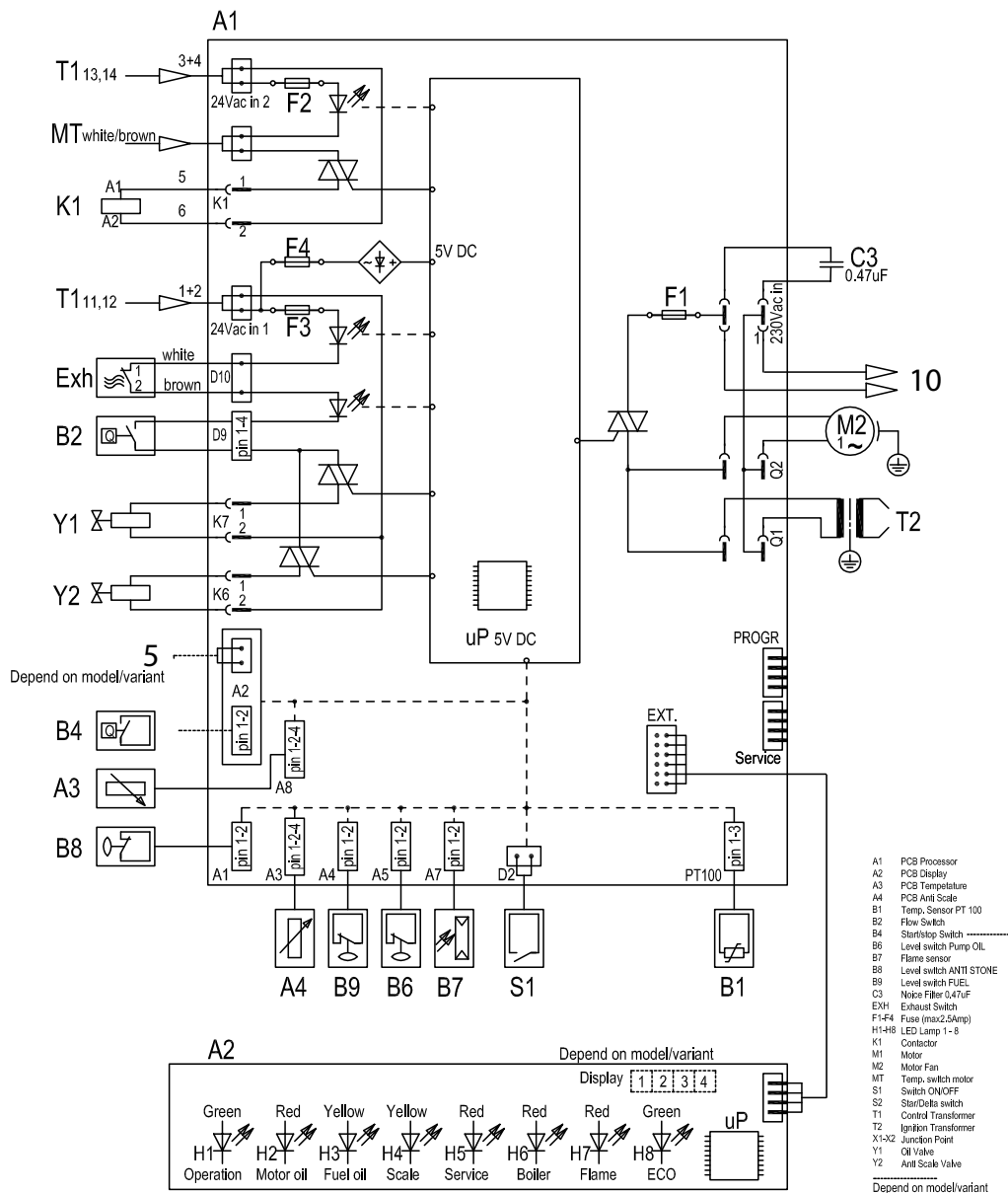


Pos.	Artikelnummer	Hoeveelheid	Omschrijving	Notes
1	107143046	1	TOOL BOX LID	
2	107143045	1	E-BOX TOP	
3	107143153	1	LABEL F. CONTROL PANEL FULL SPEC NILFISK	
4	107141838	2	SCREW K50X18 WN1451 BLACK TORX20	
5	107141648	1	MANOMETER 0-300 BAR	
6	909100204	2	Draaiknop	
7	909100214	1	Draaiknop	
8	107143154	1	PCBA NEO UI DISPLAY CPL. MH	
9	909100046	5	Schroef 4 x 8	
10	9868	2	O-Ring 10X2,5	
11	18274	2	Schroef M4 X 12 DIN 963	
12	107141650	1	PLATE FOR MANOMETER	
12a	107141651	1	O-RING M12 13X24X2.5 A2 DIN 125	
12b	31000508	1	O-RING NBR	
12c	102406647	1	Hose f.pressure gauge	
13	28877	1	Schakelaar (SC)	
14	101117730	1	PCB for Potentiometer	
15	1814730	2	Moer M4	
15a	301001000	1	Doseerventiel	
15b	301001906	1	Sluiting	
15c	106408243	1	Doorzichte slang 1/4-5 m	
16	107143051	1	POWER TRANSFORMER 230/400V 2X24V	
16	107143064	1	POWER TRANSFORMER 220-240V/440-460V	
16	107143068	1	POWER TRANSFORMER 115 / 200V	
17	103822306	1	contactor cjx2-D18-B7-24V	[1]
17	103822313	1	CONTACTOR 12-25A 50/60HZ	[2]
17	103822317	1	CONTACTOR CJX2-D32-B7 24V	[3]
19	107143151	1	PCBA MH	[4]
19A	101221031	1	JUMPER F. SERVICE TIME RESET	
19B	31001190	1	FUSE 6.3A 5x20 MM 250V	
19C	15846	3	Fuse T 2.5 A	
20	107307326	1	EARTH CONNECTOR 6 PIN	
21	107142761	1	START RELAY RVA4G0C	
22	107141730	1	DISCHARGE RESISTOR 15KOHM/7W	[5]
23	107143134	1	BRACKET FOR CAPACITOR	[5]
24	107143182	1	CAPACITOR 70UF 450/500V RP-3	[6]
25	107141619	1	CAPACITOR 170MF	[5]
26	107143062	1	E-BOX BOTTOM	
27	106268028	1	Rookgas temperatuur sensor	
28	909100149	2	Schroef K50X50 T25 WN1453	
29	107143098	1	Primary Kabel Voor ontstekings spoel	
30	101117759	1	Ignition transf. 220-240-50-60-Danfoss	[7]
31	101118220	1	2 X IGNITION CORDS KIT	
32	107143056	1	Kabel Voor Vermogen Trafo Prim 230V	
32	107143063	1	Kabel Vermogen Transformer Prim 400 V	
32	107143072	1	Kabel F. Vermogen Transformer 230/400	
34B	101117812	1	POWER C.H07RN 3G1.5 BS13 GDN 6.3X0.8 KIT	[8]
34C	101118182	1	POWER CORD H07RN 4G2.5X6M GND 6.3X0.8 NO	[9]
34D	107143126	1	POWER CORD 4X5.5MM2 X9M	[10]
34E	101118222	1	POWER CORD H07RN 4G1,5 CEE5	[11]
35	909100198	1	Snoerbevestiging M25 X 1,5	
36	909100020	1	Hexagon Nut M25x1,5	
37	909100019	1	Moer verzinkt M20x1,5	
38	909100043	1	Kabelschroeven W. Antibuc.	

Part Notes:

- [1] - MH5M-100/760 UK, MH5M-200/960 EU, MH5M-210/1100 EU,
MH6P-175/1250 EU, MH6M-200/1300 EU, MH7P-180/1260 EU
- [2] - MH5M-210/1100 NO, MH7P-180/1260 NO, MH8P-180/2000 EU
- [3] - MH5M-210/1100 EXP, MH6P-200/1300 NO, MH6P-210/1100 JP, MH6P-210/1300 EXP, MH7P-180/1260 JP
- [4] - TSB-PPW-2018-014 MH models Software update
DE TSB-PPW-2018-014 MH-Modele Software Update
- [5] - 1ph
- [6] - 1ph

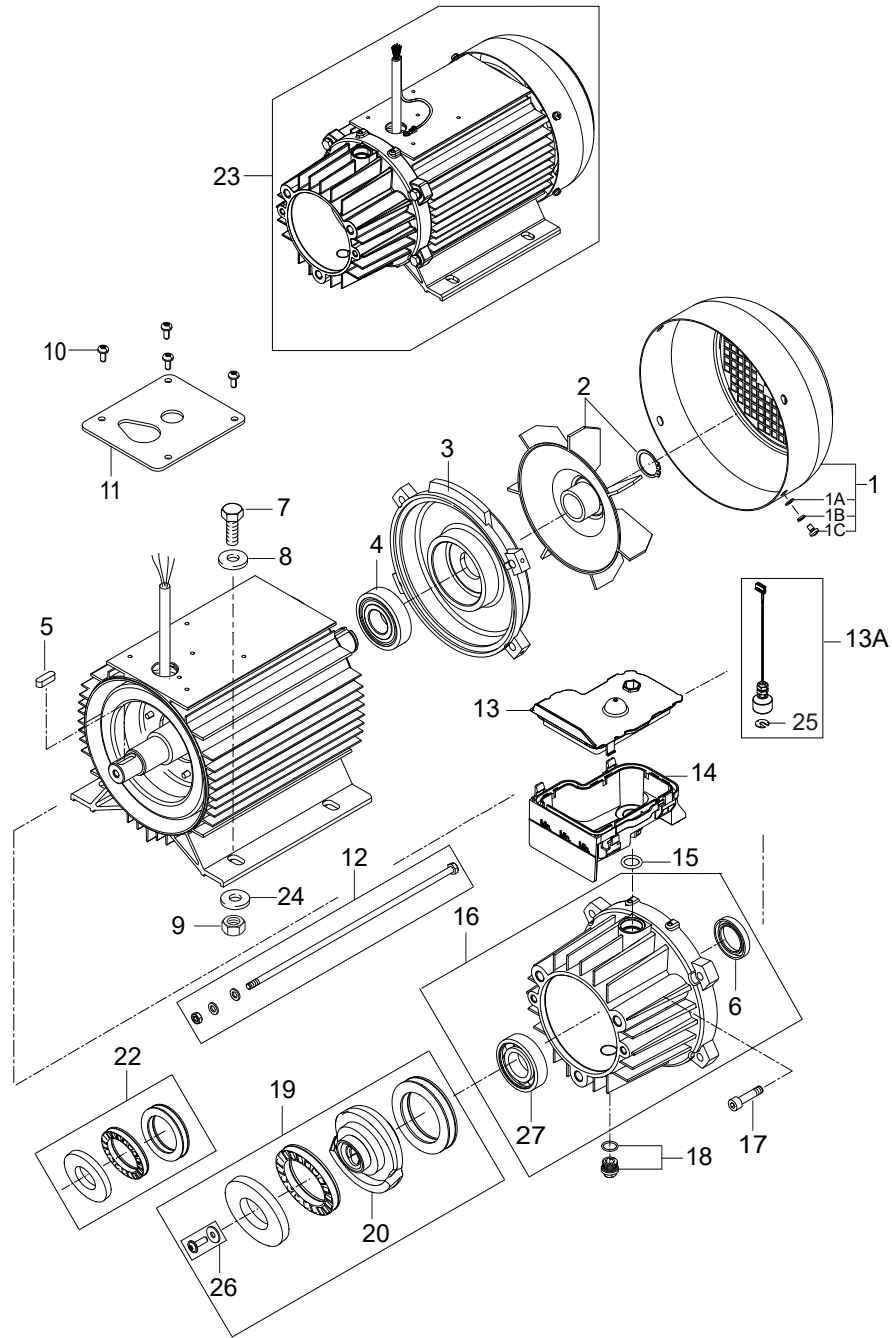
TSB-PPW-2018-003 MH_MC change of start relay and run capacitor
TSB-PPW-2018-003 MH_MC Changement du relais de démarrage et du condensateur de fonctionnement
- [7] - TSB-PPW-2018-004 Boiler cannot start - no ignition
FR TSB-PPW-2018-004 Le bruleur ne démarre plus
DE TSB-PPW-2018-004 Brenner startet nicht - keine Zündung
- [8] - MH5M-100/760 UK
- [9] - MH 5M-210/1100 EXP+NO, MH6P-200/1300 EXP+NO, MH7P-180/1260 NO
- [10] - MH6P-210/1100 JP, MH7P-180-1260 JP
- [11] - MH5M-200/960 EU, MH5M-210/1100 EU, MH6P-175/1250 EU, MH6P-200/1300 EU, MH7P-180/1260 EU



Pos.	Artikelnummer	Hoeveelheid	Omschrijving	Notes
T1	107143052	2	Kabel Vermogen Transformer Sec 6 X 0.75	
MT	107143070	1	Kabel Voor MT	
K1	107143052	1	Kabel Vermogen Transformer Sec 6 X 0.75	
Exh	107143055	1	Kabel Voor Hot Water Mode En Exh. Switch	
B2	107143121	1	Reed Switch No W/Kabel	
Y1	107143095	1	CABLE FOR SOLENOID VALVE 2X0.5	
Y2	107143037	1	DOSING VALVE RPE 24VAC	
5	101118188	1	MICRO-SWITCH KIT	[1]
B4	107143121	1	Reed Switch No W/Kabel	[2]
A3	107143043	1	Kabel Voor Temperature Adjustment	
B8	101118214	1	FLOAT SWITCH KIT	
A4	107143038	1	Kabel Voor Adjustment Anti Scale	
B9	107143033	1	LEVEL SENSOR FUEL TANK	
B6	101118173	1	OIL SENSOR W/PLUG KIT	[3]
B7	107143100	1	Vlam Sensor met Kabel	
S1	107143055	1	Kabel Voor Hot Water Mode En Exh. Switch	
B1	107143083	1	Temperatuur Sensor Pt100 W/Kabel	
A2	107143053	1	Kabel Voor Ui	
T2	107143098	1	Primary Kabel Voor ontstekings spoel	
M2	107143096	1	MOTOR BURNER - 0.23KW/230V/50HZ/1PH	[4]
M2	107143097	1	MOTOR BURNER 390W/200-240V/50/60HZ	[5]
10	107143054	1	WIRE BLACK L=400	
C3	101117867	1	NOISE FILTER KIT	

Part Notes:

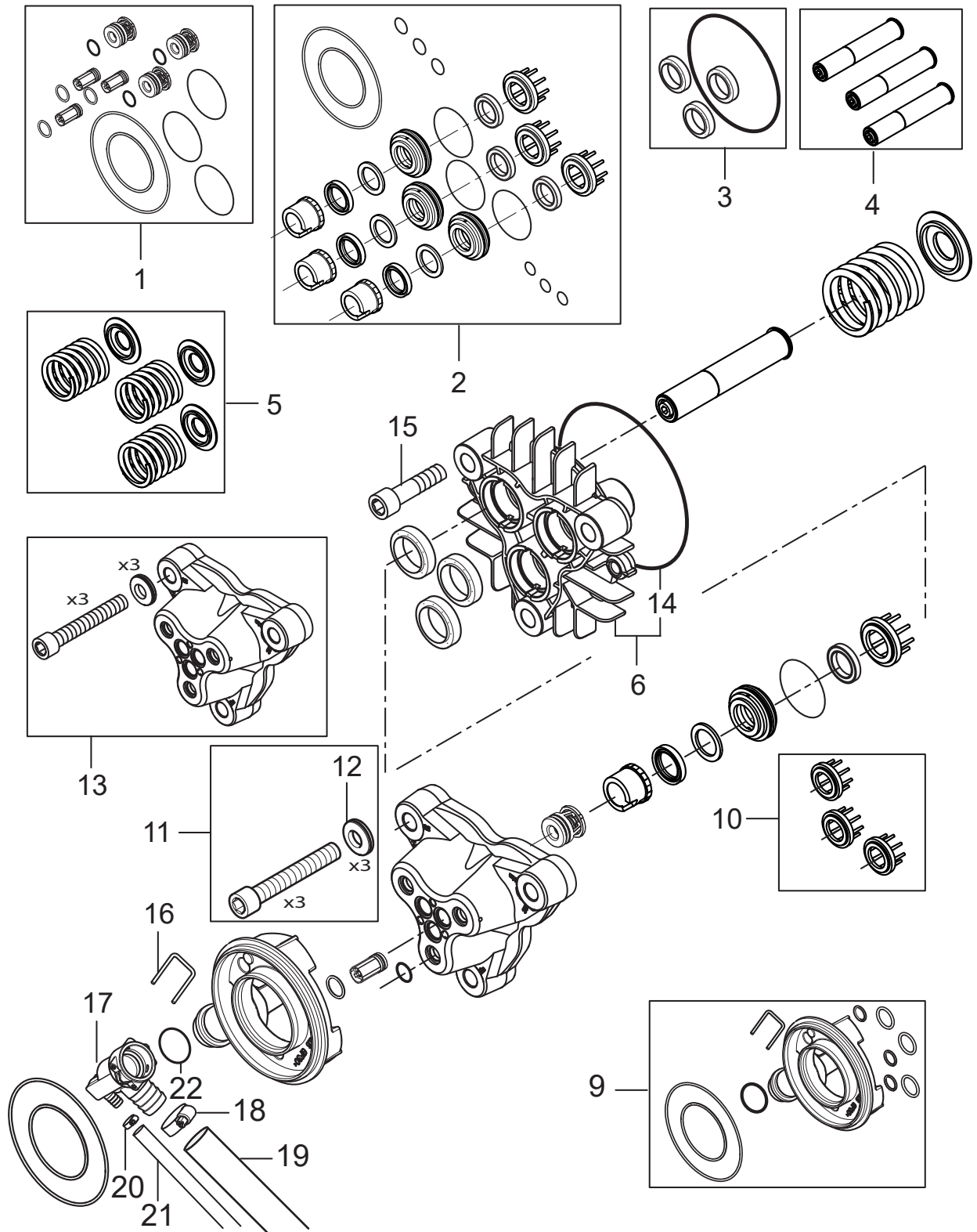
- [1] - NA5 PA
- [2] - FA
- [3] - MI 107309166 JST Connector
- [4] - MH 5M-210/1100 FA 400/3/50 Gerni, MH 5M-210/1100 FAX 400-230/3/50 NO, MH 6P-175/1250 FAX 400/3/50 EUMH 6P-200/1300 FAX 400/3/50 EU, MH 7P-180/1260 FA 400/3/50 EU
- [5] - MH 5M-210/1100 FA 440-220/3/60 EXPT, MH 6P-210/1100 FA 200/3/50-60 JP, MH 6P-195/1350 FA 440-220/3/60 EXPT, MH 7P-180/1260 FA 200/3/50-60 JP



Pos.	Artikelnummer	Hoeveelheid	Omschrijving	Notes
	31001229	1	OIL ISO 150 ALPHASYN-T 20L	
0	5218433	1	Pompolie 150 1 x 1Ltr. Alphasyn.	[1]
1	107144126	1	FAN COVER RF	
1A	2763	4	Sluitring	
1B		4	Spring washer Ø5	
1C	1813781	4	SCREW M5X8	
2	107144125	1	FAN W LOCK RING RF	
3	31000148	1	REAR BEARING COVER RF	
4	31000149	1	Kogellager 6306 2Z C3 150 GRADEN RF	
5	19639	1	Pasveer	
6	G120414	1	OIL SEALING RING, +30X+47	
7	1801133	4	SCREW M10X25 ISO4017 ZN	
8	2767	4	Ringetje	
9	8952	4	HEX M10 LOCK NUT NYLON INSERT ISO 10511	
10	107140881	4	Vijs M5X12 DIN 7985 TORX	
11	107140875	1	SEALING BETWEEN E-BOX AND MPU	[2]
12	31000505	1	STAY BOLT M8X290 RF	
12	31000504	1	STAY BOLT M8X265 RF	
13	107140877	1	TOP OLJETANK	
13A	101118173	1	OIL SENSOR W/PLUG KIT	
14	107143094	1	OIL CONTAINER BOTTOM	
15	107140882	1	O-ring 15.0 X 3.0 SMS 1586 NBR70	
16	107141967	1	D-BEARING COVER COMPLETE NA5.2	
17	107144142	4	Schroef Kit Pump NA5	
18	107141982	1	OIL PLUG W/O-RING AND MAGNET NA5.2	
19	101118248	1	WOBBLE DISC 7.74 DEG. BEARING KIT NA5.2	[3]
19	101118243	1	WOBBLE DISC 10.2 DEG. BEARING KIT NA5.2	[4]
19	101118241	1	WOBBLE DISC 12 DEG. BEARING KIT NA5.2	[5]
20	107141990	1	WOBBLE DISC 7.74 DEG. NA5.2	[3]
20	107141964	1	WOBBLE DISC 10.2 DEG. NA5.2	[4]
20	107141966	1	WOBBLE DISC 12 DEG. NA5.2	[5]
22	101118240	1	BEARING KIT FA PA - NA5.2	
23	107141956	1	MOTOR 2.2 KW/230/1 50HZ	[6]
23	107141954	1	Motor 5.5 KW 220/230-400/440/3/50/60 EU	[7]
23	107141953	1	MOTOR 6.7KW 220-440/230-400/3 50/60HZ-EU	[8]
24	4827	4	WASHER 10.5X2.5	
25	107142593	1	Borgring clip	
26	107142658	1	NA5.2 WD SCREW AND WASHER	
27	107144817	1	BEARING KBC 6206 GB/T818	
	101118265	1	MPU NA5.2 PA 6.7KW/400V/50HZ/3PH/12DEG	[9]

Part Notes:

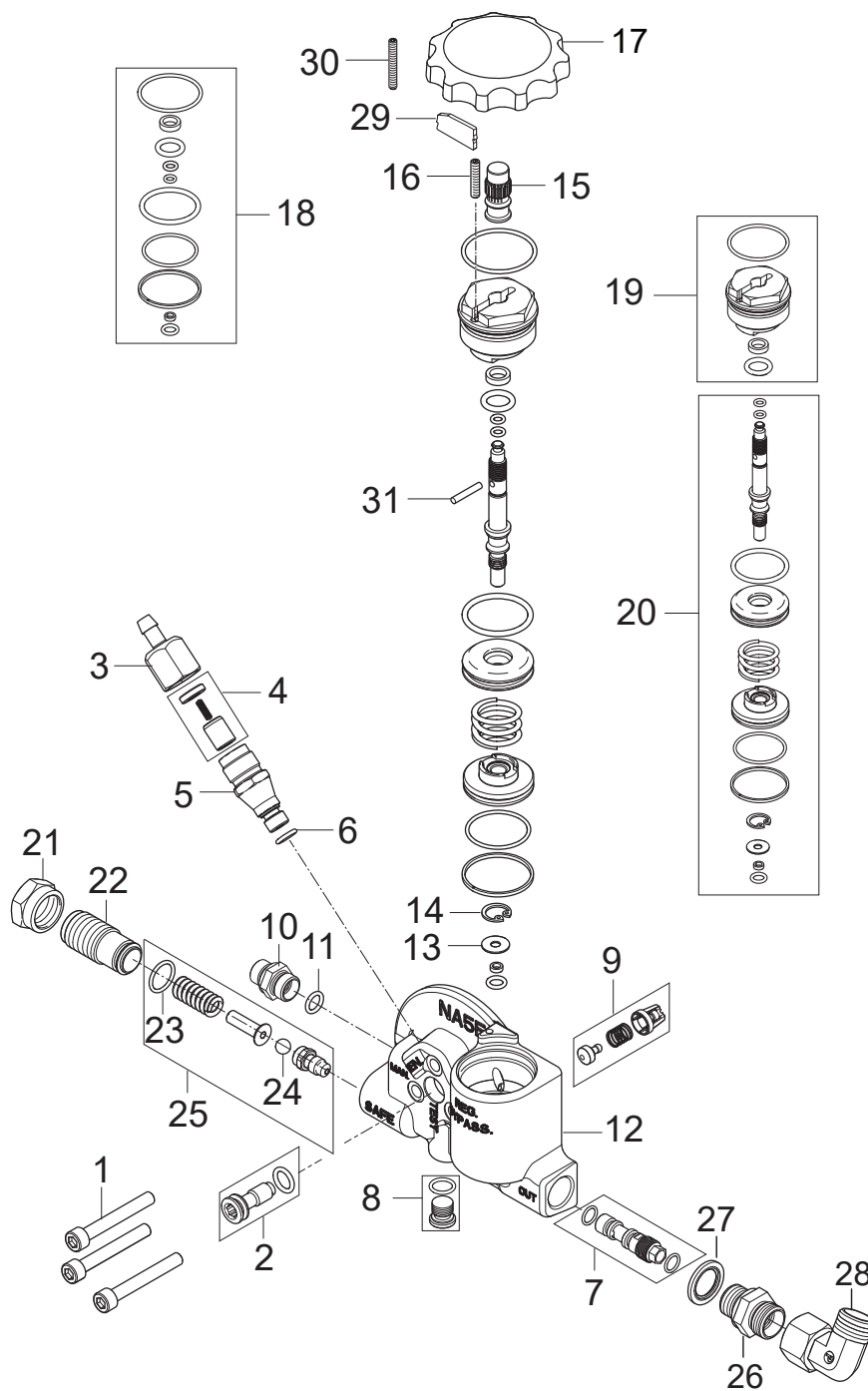
- [1] - 0,71L - OIL TYPES_QUANTITY for HPW_APRIL 2017
- [2] - TSB-PPW-2018-012 NA5_NA6 mpu. Water enters into the stator.
- [3] - MH5M-100/760
- [4] - MH 5M-200/960 EU, MH5M-210/1100 EXP
- [5] - MH5M-210/1100 PA+FA EU+NO
- [6] - MH5M-100/760 UK
Also order Gasket for motor, 107140875
- [7] - MH5M-200/960 EU
Also order Gasket for motor, 107140875
- [8] - MH5M-210/1100 EU+NO+Gerni+EXP
Also order Gasket for motor, 107140875
- [9] - MH 5M-210/1100 PAX 400/3/50 EU



Pos.	Artikelnummer	Hoeveelheid	Omschrijving	Notes
1	101118121	1	VALVE KIT - NA5	
2	101118323	1	WATER SEAL KIT NA5	[1]
3	107144102	1	Oil Seal	
4	101118239	1	PISTON KIT - NA5.2	
5	107144104	1	Veer	
6	107141983	1	Cilinderblok W/ O-ring NA5.2	
9	101118147	1	INLET MANIFOLD KIT NA5	
10	107140919	1	Ringhouder NA5	
11	107141968	1	CYL.SCREW M12X80 WITH NORDLOCK WASHER	
12	107141969	3	WASHER NLX12SP D12.5XD25.4X4.2MM	
13	107141985	1	CYLINDER HEAD NA5.2 W. SCREWS WASHERS	
14	107141512	1	O-RING D114 X D1.78 NBR 72	
15	4042	2	CYLINDER SCREW M8X40 ISO 4762 8.8 ZN	
16	107143085	1	LOCK PIN	
17	107143092	1	RACCORD T D ENTREE D EAU MH3	[2]
17	107143000	1	WATER LIMITER (MEDIUM)	[3]
17	107143142	1	WATER LIMITER L	[4]
18	8298	2	Slangklem 16-27	
19	107143031	1	FUELFLEX HOSE D28/D20 10BAR/20°	
20	11654	1	Slangklemmen D-11,5	
21	106408243	1	Doorzichte slang 1/4-5 m	
22	107143088	1	O-RING 18.72X2.62	

Part Notes:

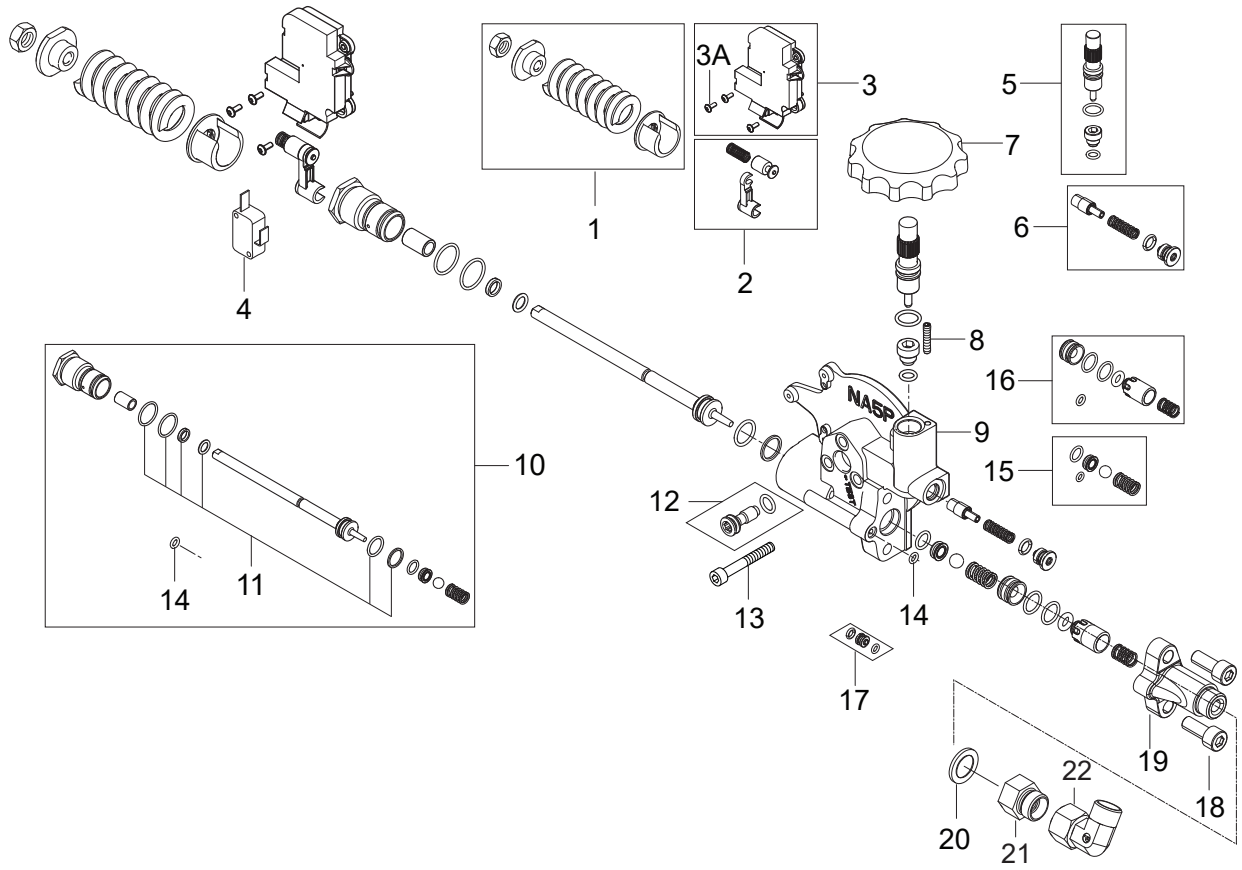
- [1] - TSB-PPW-2020-003 NA5 pump THRUST COLLAR changed
 DE TSB-PPW-2020-003 NA5 Pumpe - Änderung der Druckringe
 TSB-PPW-2020-003 Nouvelles bagues laiton pour pompe NA5
- [2] - MH5M-100/760 UK
- [3] - MH5M-200/960 EU
- [4] - MH 5M-210/1100



Pos.	Artikelnummer	Hoeveelheid	Omschrijving	Notes
1	5100	3	Schroef m6 xz 45	
	107144142	1	Schroef Kit Pomp NA5	[1]
2	107144137	1	ONTLASTKLEP	
3	6221529	1	Deksel klepbehuizing	
4	101118183	1	PISTON KIT FOR VENTING VALVE	
5	101117890	1	Housing for Venting Valve	
6	3001740	1	O-ring	
7	107144112	1	Injector - NA5	
8	101117924	1	PLUG FOR MPU 1/8	
9	101118184	1	RETURN VALVE BY-PASS - KIT MH	[2]
10	1821	1	Koppeling XGE 6LR 1/8	
11	3001740	1	O-ring	
12	107143111	1	NA5 FA BYPASS VALVE MACHINED	
13	106408196	1	WASHER D12.95 X D4.6 X 0.9 BRASS	
14	106408195	1	RETAINING RING SIZE 13 DIN472	
15	106408189	1	Moer M8 x1 v. Unloader Valve FA	
16	107146563	1	SCREW POINTED DIN 913 M4X16 FZG	
17	107143003	1	REGULATOR KNOB NA5/NA6 NILFISK	
18	101118050	1	AFDICHTINGSKIT NA6	
19	101118051	1	PLUG FOR UNLOADER VALVE FA - KIT NA6	
20	101118117	1	CONTROL UNIT - KIT NA5	
21	6100928	1	moer	
22	6100940	1	Moer	
23	3001070	1	O-Ring 13,1 x 1,6	
24	1802644	1	Kogel 7 mm	
25	101118118	1	OPENING VALVE REP. KIT NA5 NA6 FA	
26	1601079	1	Nippel	
27	1801075	1	Dichtingsring 3/8 inch	
28	101118094	1	Koppeling Haaks ISO 8434 M18X1.5	
29	107143005	1	PLATE FOR REG. KNOB	
30	107146562	1	DIN 413 M4X30 POINTED SCREW	
31	107146561	1	PIN DIA 3 X 18MM STAINLESS STEEL	

Part Notes:

- [1] - 3x Screw HX M6 x 45 ISO 4762
 2x CYLINDRICAL SCREW M6 X 18
 2x Screw M8x40ISO47628.8zn
 4x SCREW M8X35 ISO 4017
- [2] - Spring included: OD8,45 x L16,5 x d0,7



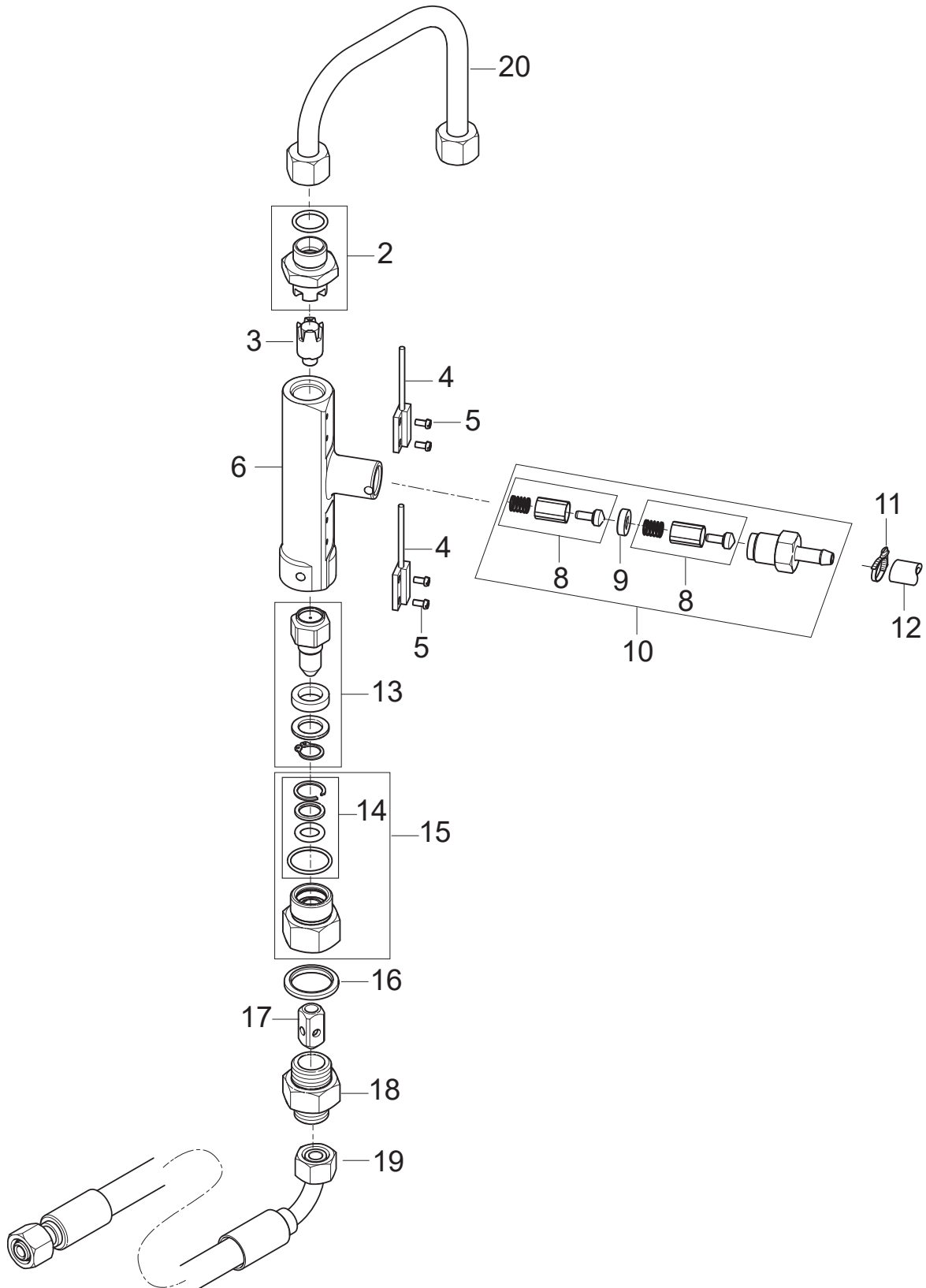
Pos.	Artikelnummer	Hoeveelheid	Omschrijving	Notes
1	101118091	1	Ontladerveer rep.kit NA5 PA	
2	101118090	1	MICROSW. ACTIVATION REP. KIT NA5 PA	
3	101118084	1	Microswitchdoos zonder microswitch NA5 P	
3A	107141515	3	SCREW M3X8 ISO7380 FZG TORX 10	
4	101118188	1	MICRO-SWITCH KIT	
5	101118313	1	FLOW REGULATION VALVE KIT	[1]
6	101118315	1	PRESSURE BUILD UP VALVE LOW FLOW KIT	[2]
6	101118314	1	PRESSURE BUILD UP VALVE HIGH FLOW KIT	[3]
7	107143003	1	REGULATOR KNOB NA5/NA6 NILFISK	
8	106408188	1	DIN 913 M4X20 POINTED SCREW	
9	107140884	1	By-pass PA NA5	[1]
10	101118294	1	STEM + SEALING REP. KIT NA5/5.2/6/6+ PA	[4]
11	101118083	1	Afdichting plunjer NA5 PA	
12	107144137	1	ONTLASTKLEP	
13	5100	3	Schroef m6 xz 45	
13	107144142	1	Schroef Kit Pomp NA5	[5]
14	107141514	1	O-ring D4 X D1.5 NBR 90	
15	101118295	1	BYPASS VALVE REP. KIT NA5.2 PA	[4]
16	101118254	1	HOLDING PRESS.V.REP. KIT NA5.2PA - UK AU	[4]
17	101118316	1	DAMPER SEAT WITH O-RING KIT	[1]
18	8894	2	Schroef	
19	107143110	1	NA5 PA OUTLET MACHINED	
20	107143107	1	PACKING RING D23.8XD17.28X2	
21	107143090	1	ADAPTOR IN 3/8 OUT M18X1.5	
22	101118094	1	Koppeling Haaks ISO 8434 M18X1.5	

Part Notes:

- [1] - TSB-PPW-2020-001 MH 4_MH 5M Damper Valve removed
DE TSB-PPW-2020-001 MH 4 MH 5M Dämpferkolben entfernt
TSB-PPW-2020-001 MH 4M5M_MC 5M machine en version PA. Supression de l'anti bélier
- [2] - MH 5M-100/760

TSB-PPW-2020-001 MH 4_MH 5M Damper Valve removed
DE TSB-PPW-2020-001 MH 4 MH 5M Dämpferkolben entfernt
TSB-PPW-2020-001 MH 4M5M_MC 5M machine en version PA. Supression de l'anti bélier
- [3] - MH 5M-210/1100

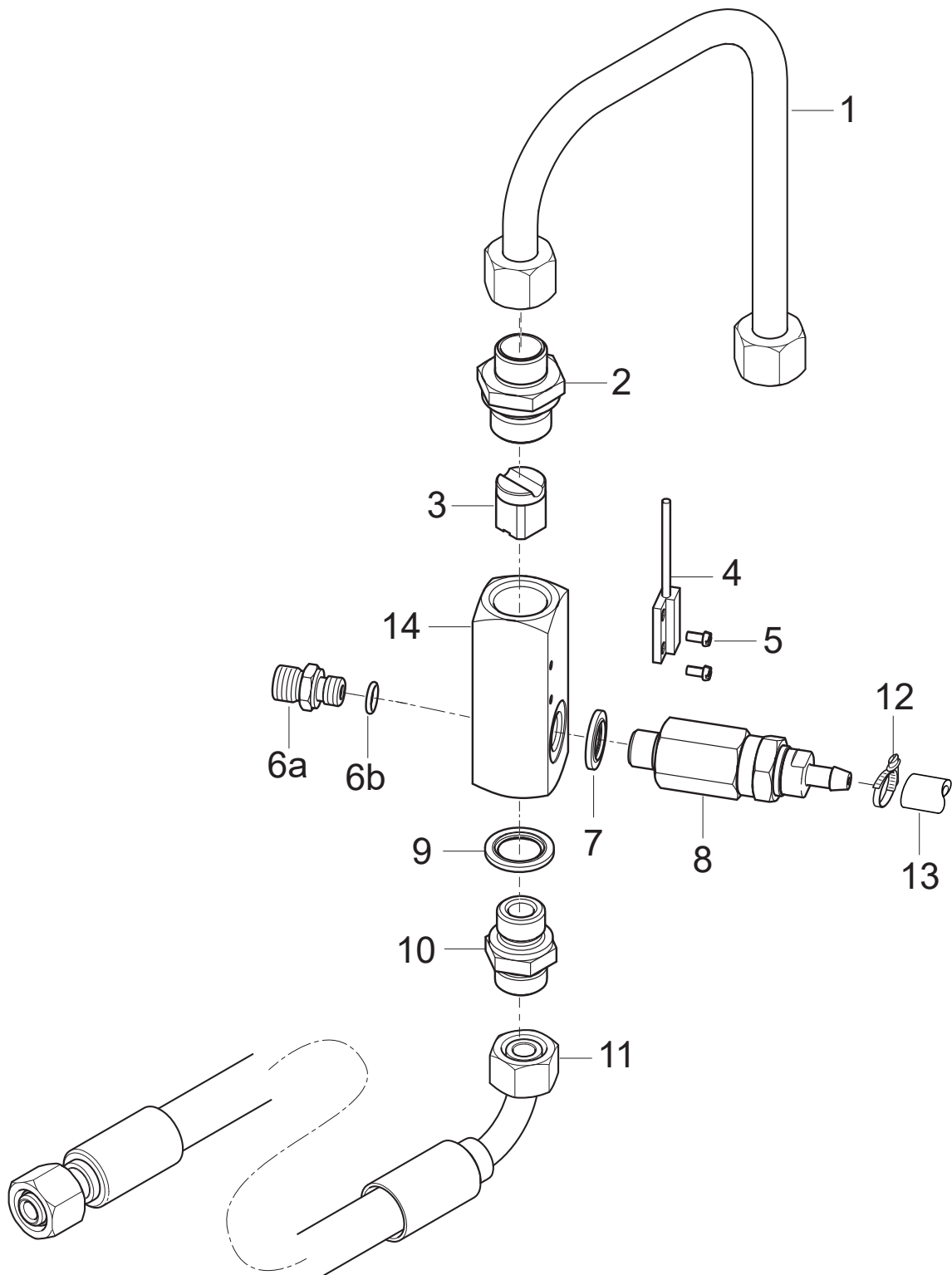
TSB-PPW-2020-001 MH 4_MH 5M Damper Valve removed
DE TSB-PPW-2020-001 MH 4 MH 5M Dämpferkolben entfernt
TSB-PPW-2020-001 MH 4M5M_MC 5M machine en version PA. Supression de l'anti bélier
- [4] - TSB-PPW-2017-005 Low pressure—Unloader valve for NA5.2 pump can leak internally
- [5] - 3x Screw HX M6 x 45 ISO 4762
2x CYLINDRICAL SCREW M6 X 18
2x Screw M8x40ISO47628.8zn
4x SCREW M8X35 ISO 4017



Pos.	Artikelnummer	Hoeveelheid	Omschrijving	Notes
2	101118190	1	MALE STUD M18X1.5 KIT	
3	101118055	1	MAGNET AND HOUSE FOR FLOW SWITCH-KIT NA6	
4	107143121	2	Reed Switch No W/Kabel	
5	101118033	4	Bout M3X6 BRASS DIN 84 ISO 1207 KIT	
6	101118308	1	FLOW CONTROL HOUSING FA	
8	1119566	2	Rep.set terugslagklep	
9	6201535	1	Zitting voor kontraventie I	
10	1119318	1	Rep.set terugsl. ventiel	
11	11654	2	Slangklemmen D-11,5	
12	101406100	0.92	HOSE DN 6X3 5M	
13	101117896	1	NON RETURN VALVE W/MAGNET	[1]
14	101118191	1	SEALING KIT FOR MALE STUD	
15	101118230	1	MALE STUD F.NON-RET.VALVE 1/2"-M22X1-K	
16	1807932	1	SELF-SEALING WASHER	
17	6101038	1	Zuiger v. terugslagventiel	
18	107143155	1	Pistool behuizing 1/2 inch-M18X1,5 inch	
19	107143171	1	HP Hose DN10 3/8 DKL/DKL 90DEG M18X1.5	[2]
20	107143188	1	PIPE FLOW CONTROL NA6/B5	[3]
19+20	101118322	1	HP HOSE AND CONNECTION PIPE NA6/B5 KIT	

Part Notes:

- [1] - TSB-PPW-2016-012 MH 4M FA None return valve 101117896 get stocked
 DE TSB-PPW-2016-012 MH 4M FA Strömungskolben 101117896 blockiert
- [2] - MH5, MH 6P-175/1250, MH 6P-210/1100
- [3] - MH5, MH 6P

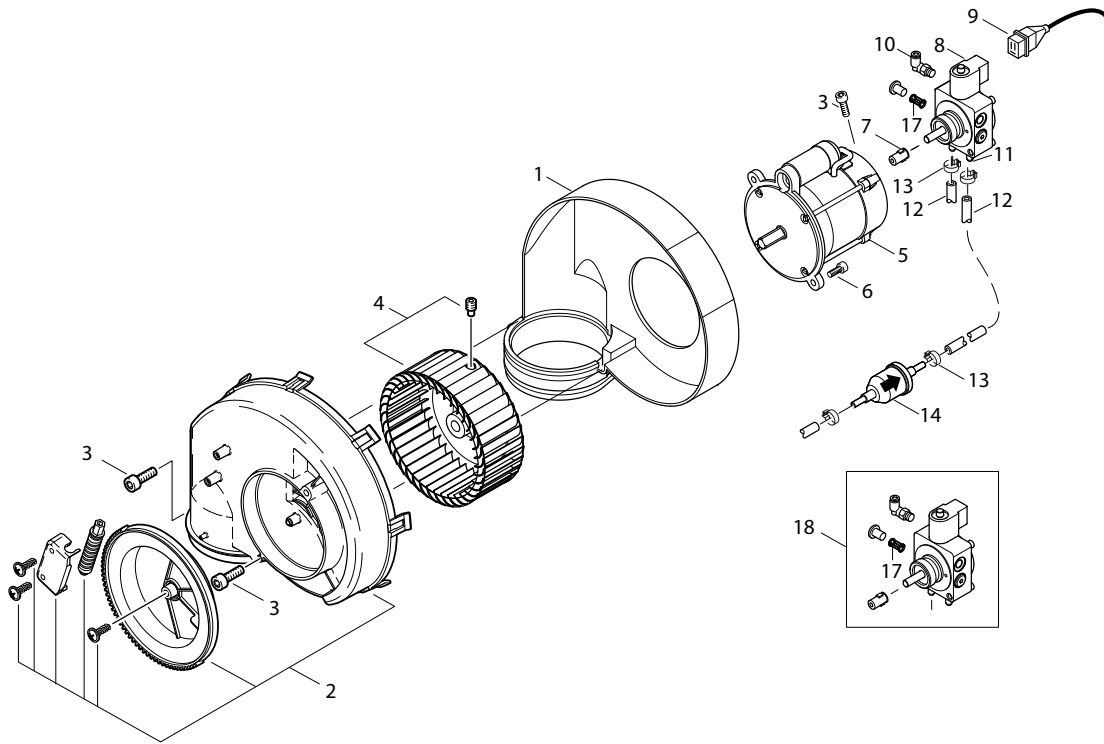


mai

Pos.	Artikelnummer	Hoeveelheid	Omschrijving	Notes
1	107143187	1	PIPE FLOW CONTROL NA5 PA/B5	
1+11	101118321	1	HP HOSE AND CONNECTION PIPE NA5 PA/B5	
2	107143122	1	THREADED CONNECTION D12X1/2 INCH	
3	101117798	1	Magnet hpusing cpl kit	
4	107143121	1	Reed Switch No W/Kabel	
5	101118033	2	Bout M3X6 BRASS DIN 84 ISO 1207 KIT	
6a	1821	1	Koppeling XGE 6LR 1/8	
6b	3001740	1	O-ring	
7	1803493	1	pakkingring	
8	101118290	1	OPENING PRESSURE VALVE 146 BAR KIT	[1]
8	101118292	1	OPENING PRESSURE VALVE 250 BAR KIT	[2]
9	1801075	1	Dichtingsring 3/8 inch	
10	1601079	1	Nippel	
11	107143171	1	HP Hose DN10 3/8 DKL/DKL 90DEG M18X1.5	
12	11654	2	Slangklemmen D-11,5	
13	101406100	1	HOSE DN 6X3 5M	
14	101118306	1	FLOW CONTROL HOUSING PA	

Part Notes:

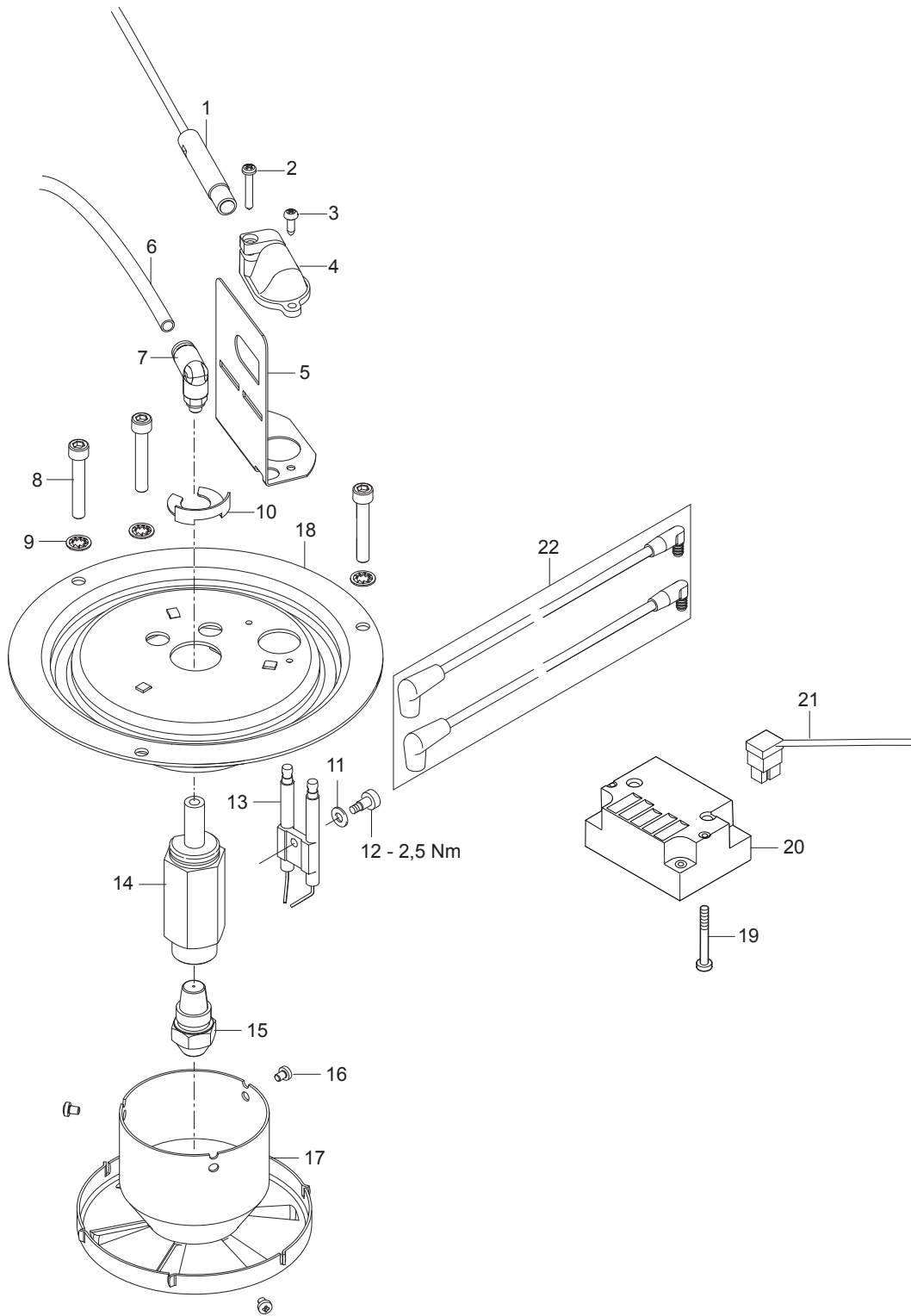
- [1] - MH 5M-100/760 PA
 [2] - MH 5M-210/1100 PA



Pos.	Artikelnummer	Hoeveelheid	Omschrijving	Notes
1	301000495	1	Housing	
2	301000852	1	Ventilatorkap brander Solar	
3	32535	3	Bout M5 x 16	
4	301000889	1	Fan Wiel 160x60	
4	301002126	1	Spanring Ø 18	[1]
5	107143179	1	MOTOR BURNER 350W/110-120V/50/60HZ	[2]
5	107143096	1	MOTOR BURNER - 0.23KW/230V/50HZ/1PH	
5	107143097	1	MOTOR BURNER 390W/200-240V/50/60HZ	[1]
6	4697	2	Kop schroef M6 x 16 IS	
7	101117707	1	Koppeling voor oliepomp BFA 01 L3L	
8	3821089	1	Spoel danfoss	
9	107143095	1	CABLE FOR SOLENOID VALVE 2X0.5	
10	101117706	1	PUSH-IN ANGLE FITTING	
11	101117777	1	HOSE CONNECTIONS FOR OIL PUMP BFA 01 L3	
12	106408244	1	HOSE D6X2.5 - 5 METERS	
13	301001133	2	Slangklem 10/7	
14	301002926	1	Filter	
17	31001081	1	FILTER FOR OIL PUMP	
18	101117673	1	Olie Pomp incl. Fittings	

Part Notes:

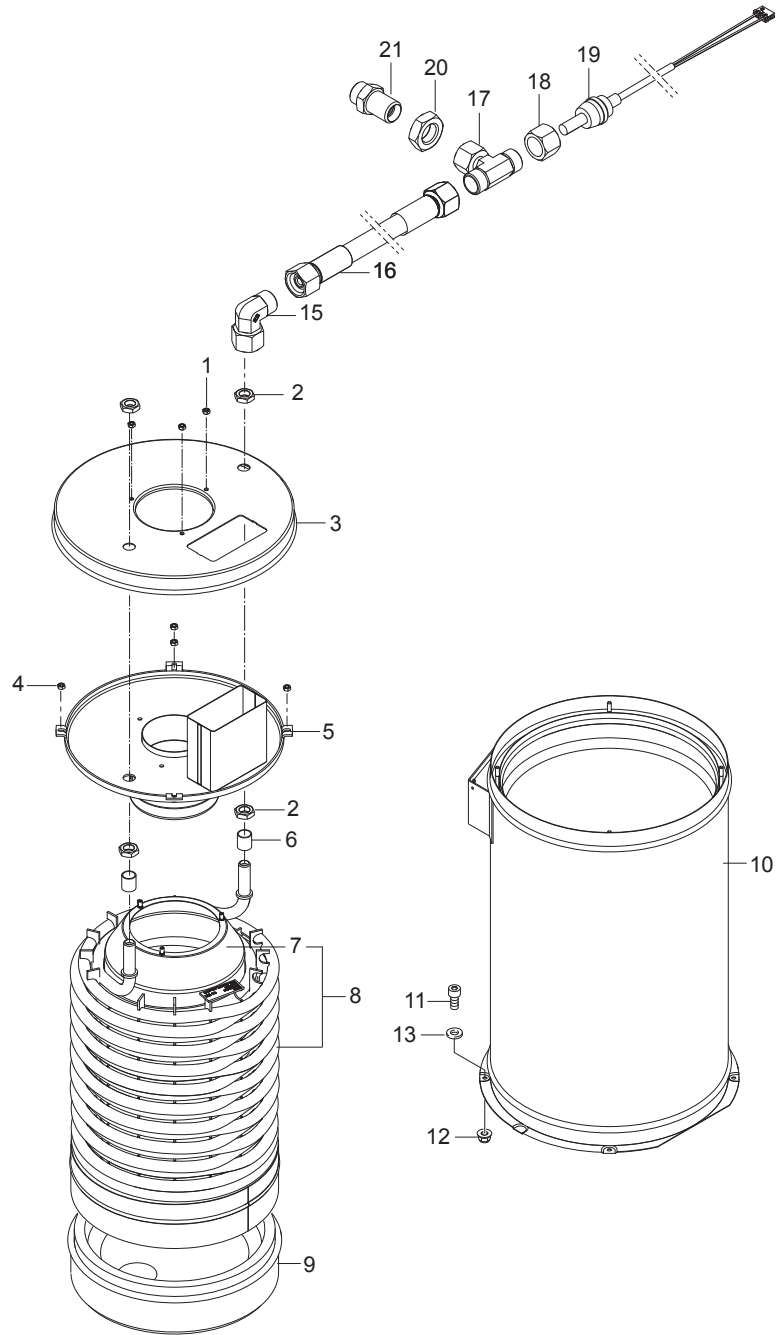
- [1] - JP, EXPT
 [2] - MH 3C



Pos.	Artikelnummer	Hoeveelheid	Omschrijving	Notes
1	107143100	1	Vlam Sensor met Kabel	
2	5606	1	Sheet metal screw	
3	4036	1	Schroef 2.9x9,5	
4	301000934	1	Houder vlamsensor	
5	107143101	1	SHIELD FOR FLAME SENSOR	
6	909100141	1	Brandstofslang 4x1 mm x 1 m	
7	101117913	1	ELLEBOOG 4/M5 AUTOFIX	
8	3873	3	Schroef M5x30	
9	3376	3	O-Ring 5,3	
10	101117876	1	Circlips	
11	909100144	1	Schijf B5 din 137	
12	909100143	1	Schroef M4x4,5	
13	301150009	1	Ignition electrode kit	
14	101117915	1	Brandstofnozzle houder	
15	301001068	1	Olienozzle 1,35 60 graden	[1]
15	301000886	1	Olienozzle 1,75 60 graden	[2]
15	101118013	1	Fuelsproeier	[3]
16	51848	3	Schroef LI M3X4 7985 ZN	
17	301001834	1	Verdelerschijf NEPTUNE 5	[4]
17	301001833	1	Verdelerschijf NEPTUNE 7	[3]
18	301000606	1	Cover 150 x 38	[5]
19	909100149	2	Schroef K50X50 T25 WN1453	
20	101117759	1	Ignition transf. 220-240-50-60-Danfoss	[6]
21	107143098	1	Primary Kabel Voor ontstekings spoel	
22	101118220	1	2 X IGNITION CORDS KIT	

Part Notes:

- [1] - MH 5M-100/760 UK
- [2] - MH5M, MH6P-210/1100 JP,
not MH 5M-100/760 PA
- [3] - MH6, MH7, MH8
not MH6P-210/1100 JP
- [4] - MH5M, MH6P-210/1100 JP
- [5] - MH5, MH6, MH7, MH8
- [6] - TSB-PPW-2018-004 Boiler cannot start - no ignition
FR TSB-PPW-2018-004 Le bruleur ne démarre plus
DE TSB-PPW-2018-004 Brenner startet nicht - keine Zündung



Pos.	Artikelnummer	Hoeveelheid	Omschrijving	Notes
1	3136	3	Moer	
2	7012	4	MOER M 18 X 1,5	
3	31001162	1	OUTER BOILER TOP B5 - B7	
4	12263	4	Hexagon Nuts	
5	31001163	1	INSIDE BOILER TOP CPL B5	
6	301000582	2	Bus	
7	301000541	1	BRANDERPIJP NEPTUNE 5+7 INCH	
8	31001164	1	COIL WELDED B5	
8	107143301	1	COIL B5 SS, MH	[1]
9	301000916	1	Isolatie	
10	31001165	1	BOILER JACKET B5	
11	4697	2	Kop schroef M6 x 16 IS	
12	11619	2	Schroef M 6	
13	107143146	2	WASHER SERRATED M6	
15	101118094	1	Koppeling Haaks ISO 8434 M18X1.5	
16	107143147	1	HP HOSE 3/8 DN10 BLACK W/2X DKL	
17	101118093	1	T koppeling M18 x 1.5 draad	
18	1081	1	Knelmoer M12 verzinkt	
19	107143083	1	Temperatuur Sensor Pt100 W/Kabel	
20	1803220	1	Moer M 18 x 1.5	
21	107143082	1	Uitlaatkoppeling	

Part Notes:

- [1] - TSB-PPW-2017-011 Stainless Steel heat exchangers new stay material and new spare part numbers

