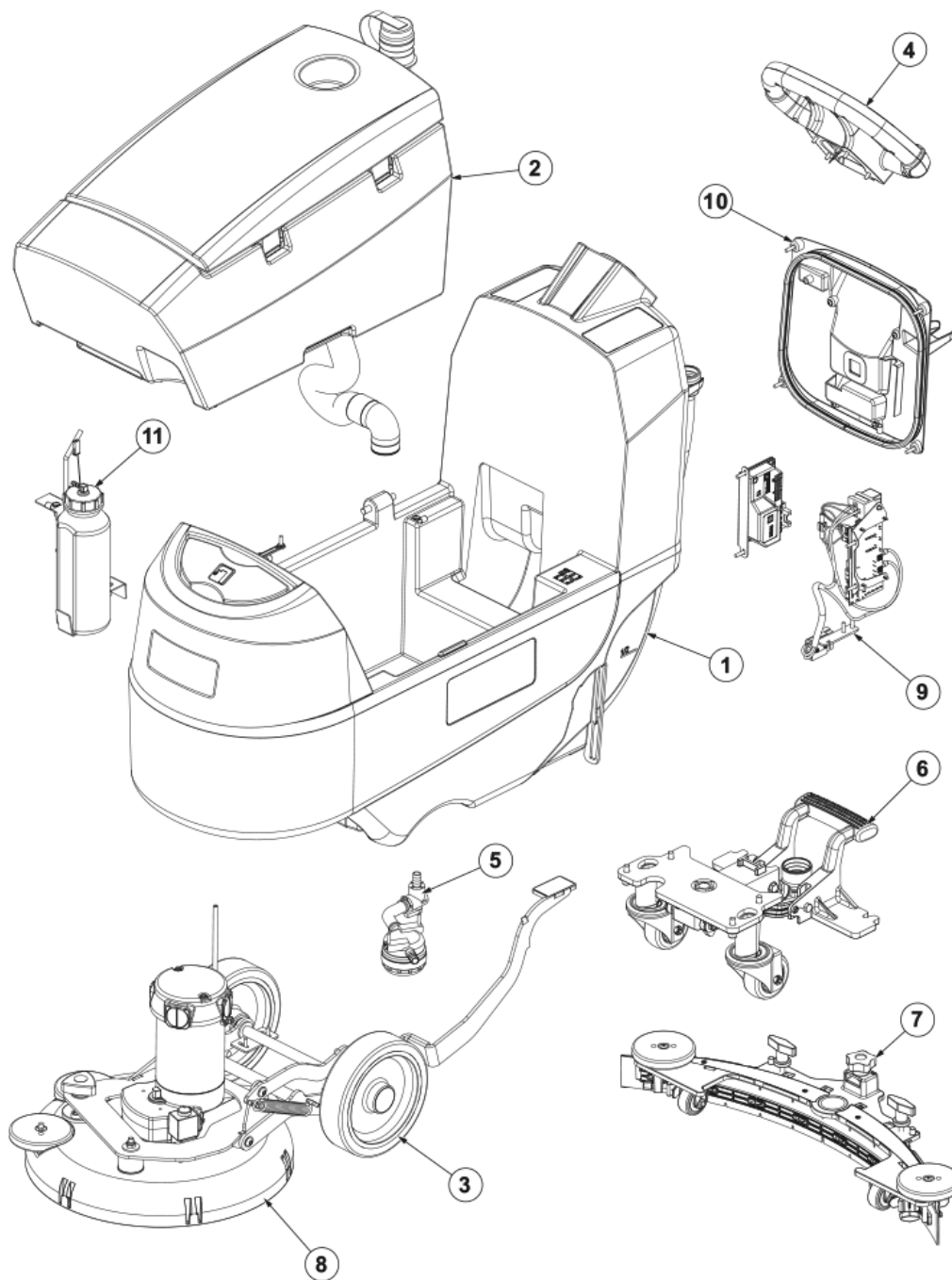


PARTS LIST

2021.04.01

TABLE OF CONTENTS

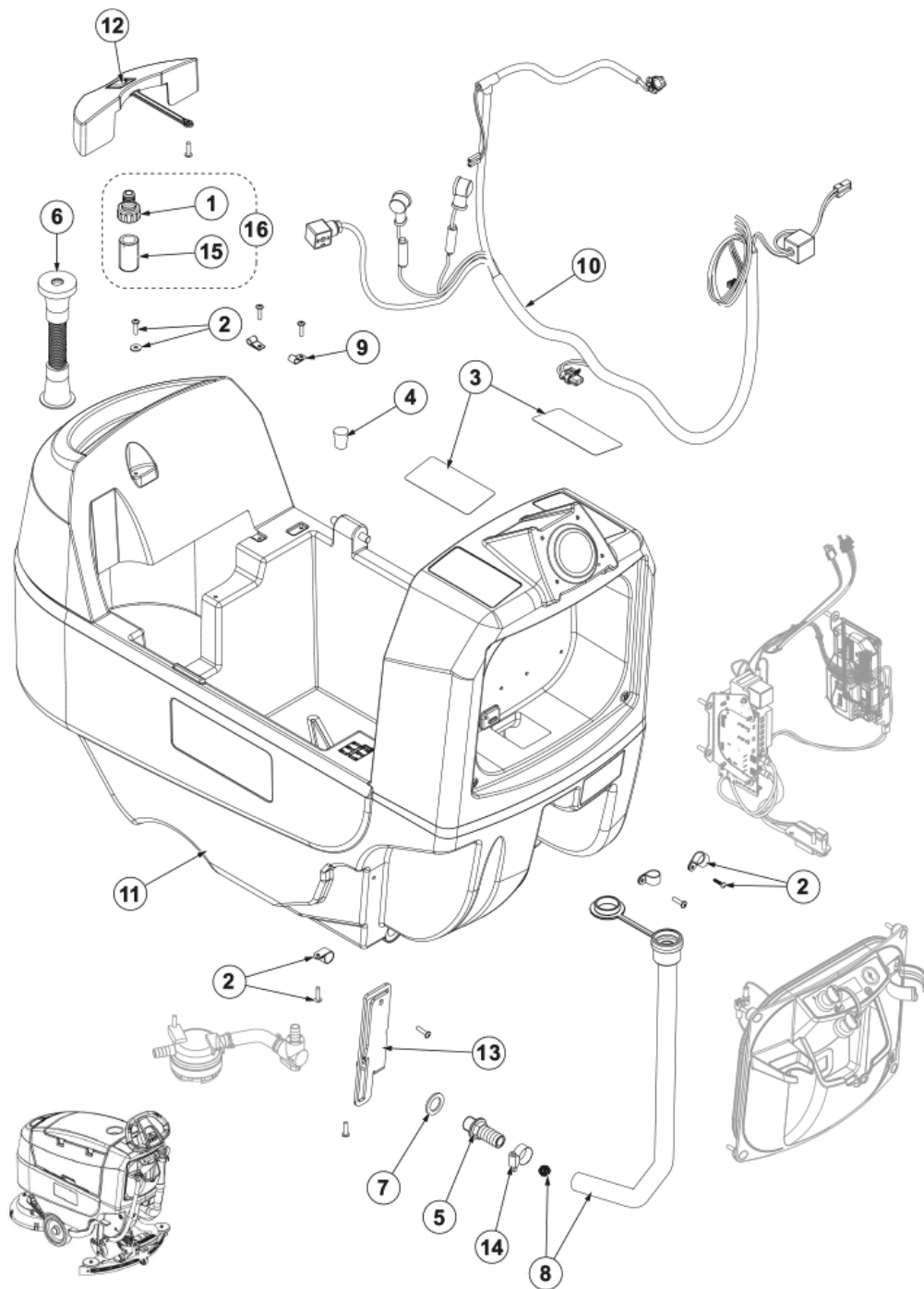
PL GENERAL VIEW	1
PL SOLUTION TANK SYSTEM	3
PL RECOVERY TANK SYSTEM	5
PL VACUUM MOTOR SYSTEM	7
PL WHEELS SYSTEM (NO DRIVE)	9
PL HANDLEBAR SYSTEM (NO DRIVE)	11
PL BRUSH DECK (NO DRIVE)	13
PL BATTERY CHARGER	15
PL DETERGENT SYSTEM	17
PL ACCESSORIES - OPTIONALS	19
PL WIRING DIAGRAM (NO DRIVE)	21
PL RECOMMENDED PARTS	23
PL ELECTRICAL COMPONENTS SYSTEM (NO DRIVE)	26
PL COVER ELECTRONIC SYSTEM (NO DRIVE)	28
PL REAR WHEELS SYSTEM	30
PL SQUEEGEE SYSTEM	32
PL BRUSHES	34



Pos.	Artikelnummer	Hoeveelheid	Omschrijving	Notes
1		1	SOLUTION TANK SYSTEM	[1]
2		1	RECOVERY TANK SYSTEM	[2]
3		1	WHEELS SYSTEM	[3]
4		1	HANDLEBAR SYSTEM	[4]
5		1	SOLUTION SYSTEM	[5]
6		1	REAR WHEELS SYSTEM	[6]
7		1	SQUEEGEE SYSTEM	[7]
8		1	BRUSH DECK SYSTEM	[8]
9		1	ELECTRICAL COMPONENTS SYSTEM	[9]
10		1	COVER ELECTRONIC SYSTEM	[10]
11		1	DETERGENT SYSTEM	[11]

Part Notes:

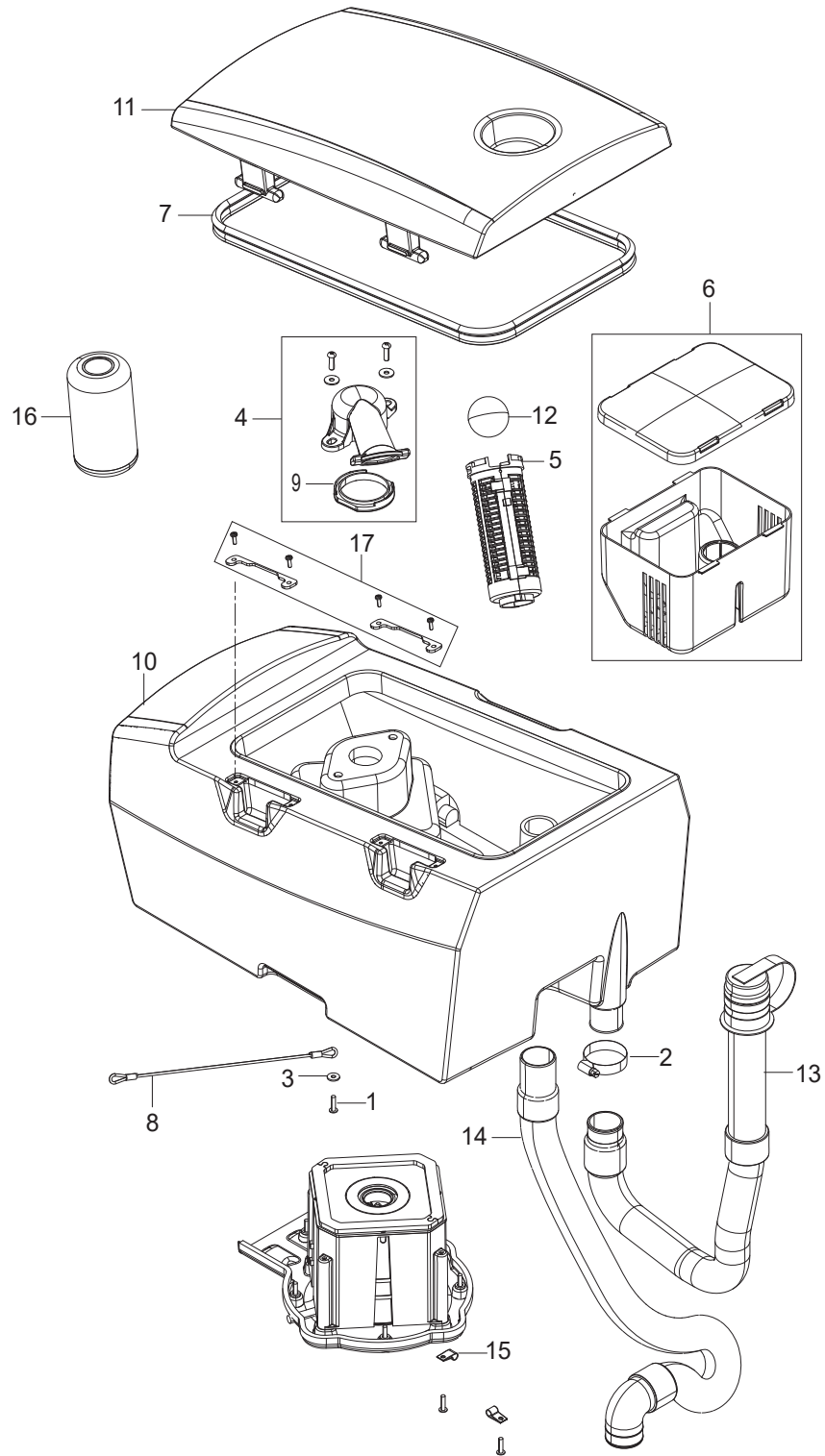
- [1] - PL SOLUTION TANK SYSTEM
- [2] - PL RECOVERY TANK SYSTEM
- [3] - PL WHEELS SYSTEM
- [4] - PL HANDLEBAR SYSTEM
- [5] - PL SOLUTION SYSTEM
- [6] - PL REAR WHEELS SYSTEM
- [7] - PL SQUEEGEE SYSTEM
- [8] - PL BRUSH DECK
- [9] - PL ELECTRICAL COMPONENTS SYSTEM
- [10] - PL COVER ELECTRONIC SYSTEM
- [11] - PL DETERGENT SYSTEM



Pos.	Artikelnummer	Hoeveelheid	Omschrijving	Notes
1	1402809	1	Gardena snelkoppl. male	
2	9100002424	1	HARDWARE SOLUTION TANK KIT	
3	9100002434	1	DECALS FUNCTIONS SETTING KIT	
4	909 6236 000	1	CAP BLACK	
5	9100000574	1	BARB HOSE STRAIGHT D.19.8 G1/2 PLAST KIT	
6	9100000703	1	Vulslang BR	
7	9100001139	1	GASKET RUBBER D.21X33X2.5 BLACK SIP	
8	9100002431	1	HOSE FRESH WATER LEV. W/CAP KIT	
9	L08193000	2	Klemkabel Zwart	
10	9100002425	1	HARNESS MACHINE DRIVE SIP	
11	9100002427	1	TANK SOLUTION 30L PLAST. GREY DRIVE SIP	[1]
11	9100002428	1	TANK SOLUTION 30L PLAST. GREY SIP	[2]
12	9100002430	1	CAP RUBBER F SOLUTION TANK SIP	
13	9100002432	1	SUPPORT PEDAL SS F DRIVE VERS. SIP	
14	L08603916	1	Klem	
15	9100002435	1	CONNECTOR MALE THD 3/4 G PLAST.BLACK SIP	
16	9100002572	1	Snelaansluiting slang	[3]
17	9100003010	1	DECALS NILFISK SC401 KIT	
17	9100003011	1	DECALS ADVANCE SC401 KIT	

Part Notes:

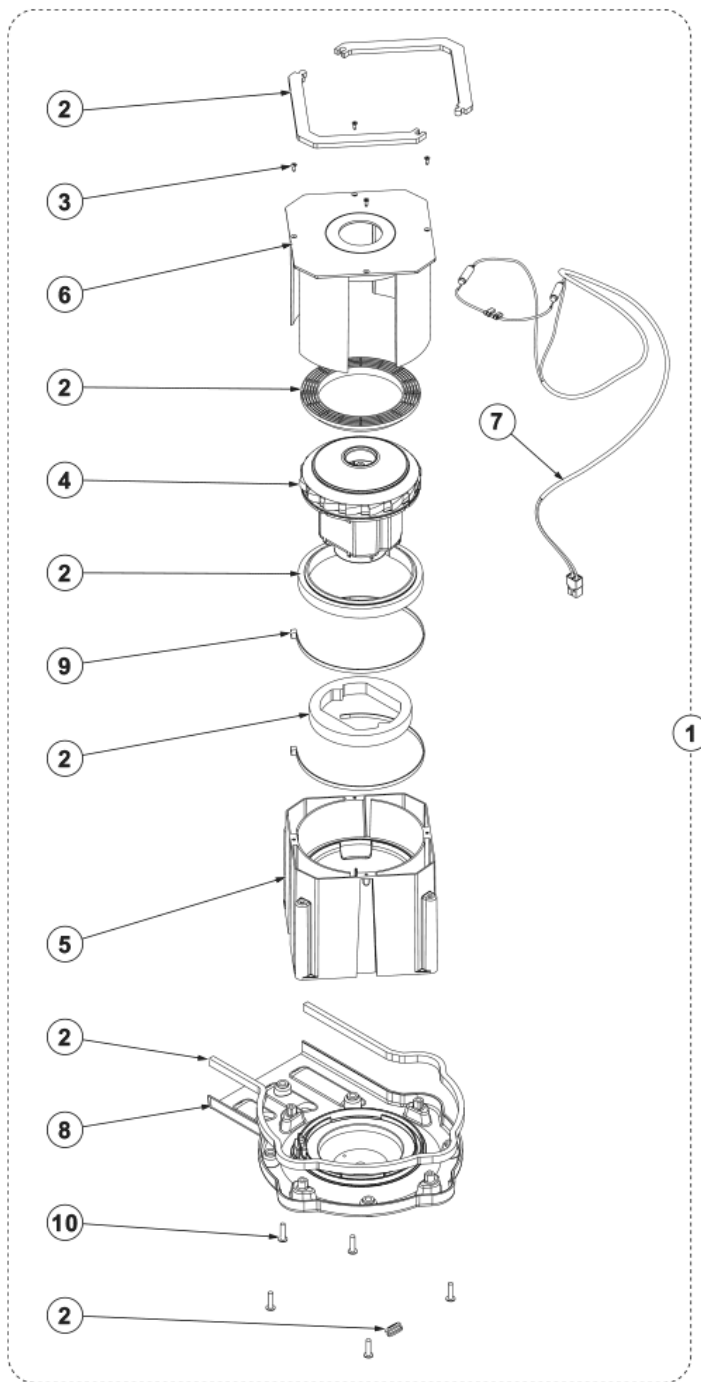
- [1] - With Drive
- [2] - Without Drive
- [3] - OPTIONAL



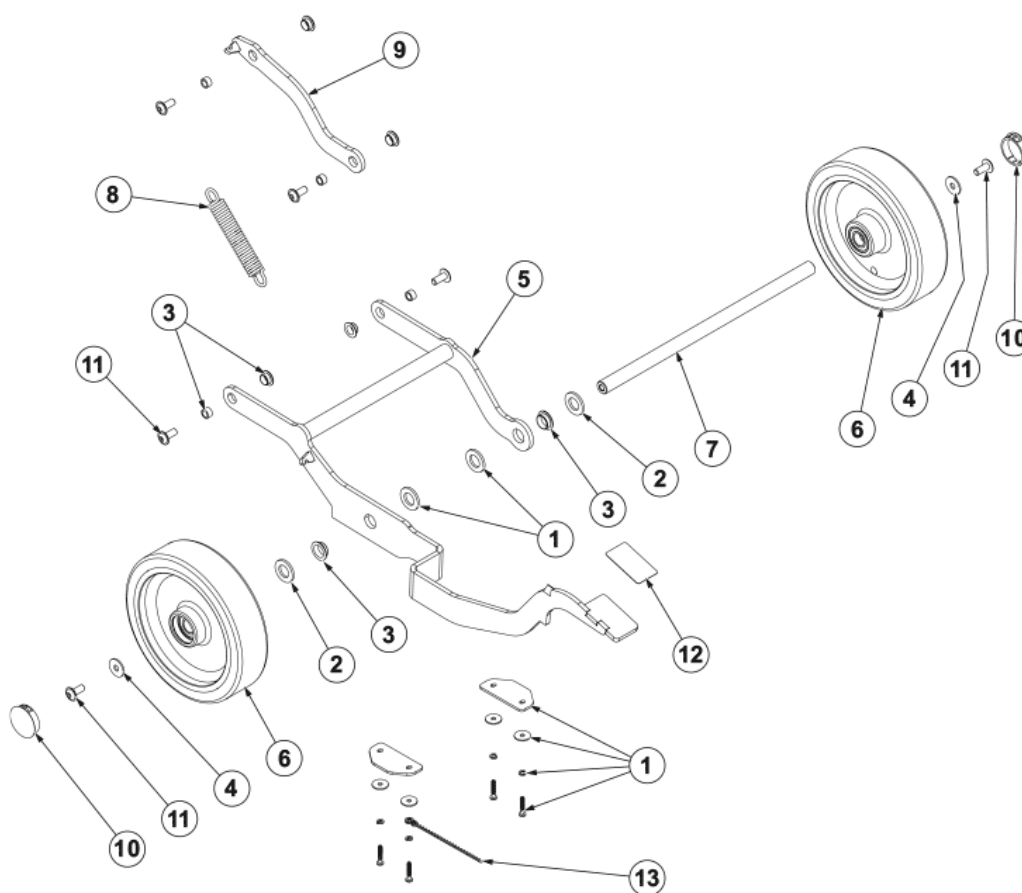
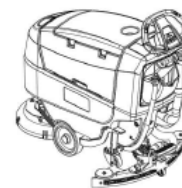
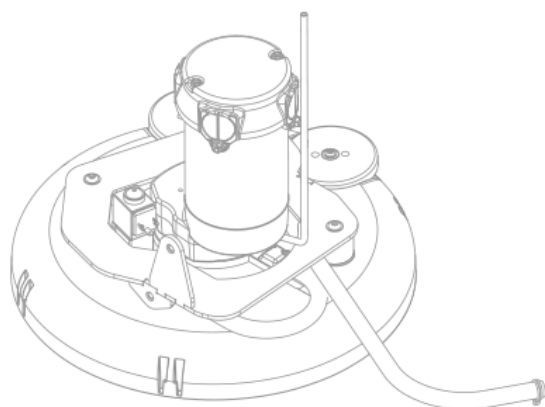
Pos.	Artikelnummer	Hoeveelheid	Omschrijving	Notes
1	9100002437	1	SCREW M5X20 TORX ISO7380-2 10 PCS SET	
2	9100001348	1	CLAMP 14/32-52 10 PCS SET	
3	145 8280 000	1	Ring scooter	
4	9100001875	1	SUPPORT FLOAT KIT	
5	9100000818	1	CAGE FLOAT HALF 2 PCS SET	
6	9100000795	1	Grofvuil filter	
7	9100002436	1	GASKET BULB RUBBER L.1450MM SIP	
8	9100002438	1	Kabel Safety F Tank Sip	
9	9100000928	1	GASKET FLOAT SUPPORT SIP	
10	9100002984	1	TANK RECOVERY 30L PLAST. GREY KIT	
11	9100002441	1	COVER PLAST. GREY F TANK 30L SIP	
12	9100000817	1	BALL FLOATING PKD	
13	9100002443	1	HOSE DRAIN BLACK L.530MM SIP	
14	9100002444	1	HOSE SUCTION SQUEE. 90 BLACK L.970MM SIP	
15	L08193000	2	Klemkabel Zwart	
16	909 5065 000	1	Antischuimfilter	[1]
17	9100002985	1	PLATE HINGE LOCATOR KIT	

Part Notes:

[1] - OPTIONAL



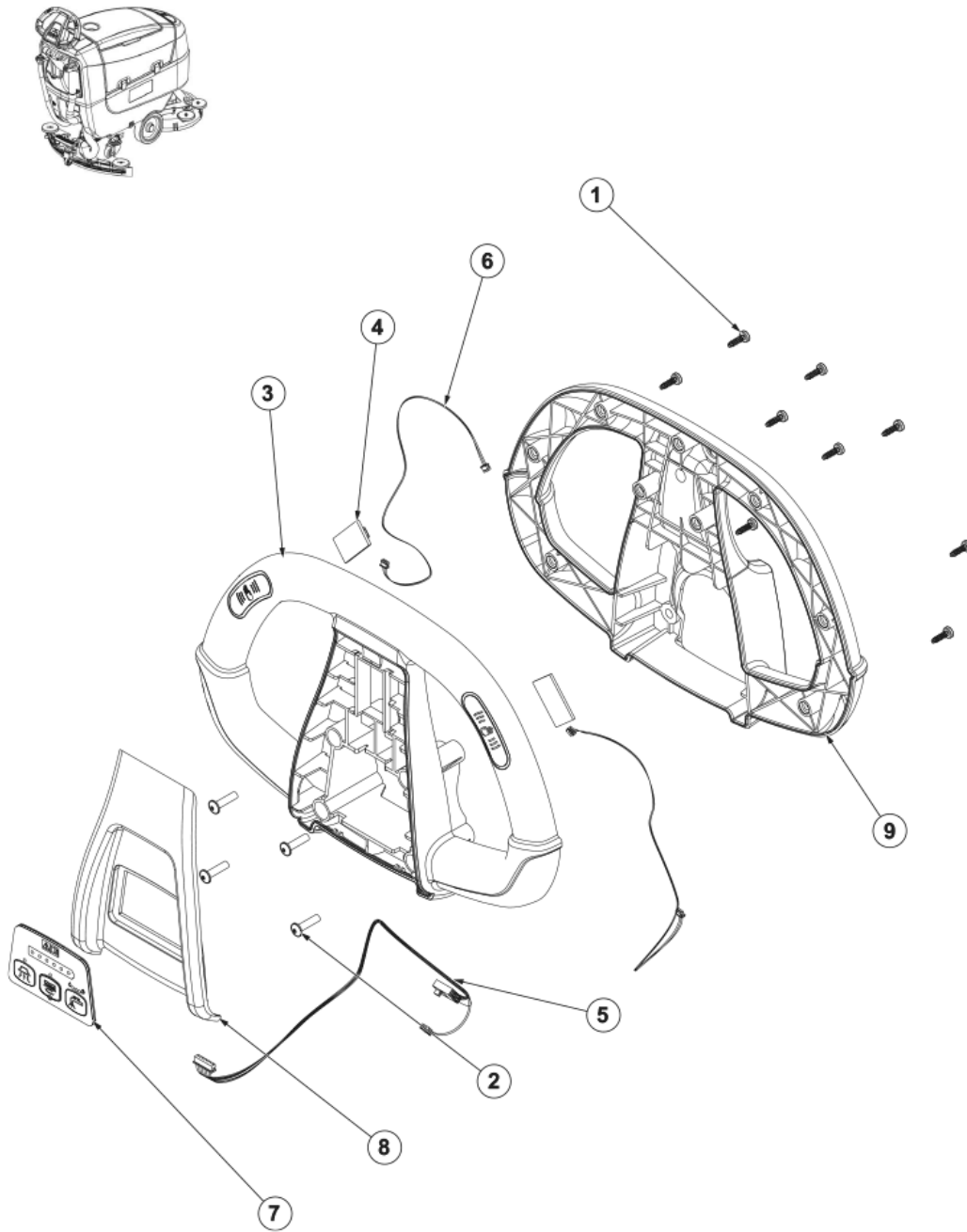
Pos.	Artikelnummer	Hoeveelheid	Omschrijving	Notes
1	9100002533	1	MOTOR VACUUM 280W 24W KIT	
2	9100002447	1	GASKETS VAC. MOTOR KIT	
3	145 1756 000	4	SCREW 2.9X9.5 SELF C/SUNK PHIL ISO7050	
4	9100000823	1	Zuigmotor 24V 280W PKD	
5	9100001983	1	SUPPORT EXT. PLAST. F VAC. MOTOR KIT	
6	9100001989	1	SUPPORT INT. PLAST. F VAC. MOTOR SIP	
7	9100002445	1	HARNES VACUUM MOTOR 24V SIP	
8	9100002446	1	SUPPORT PLAST. F VACUUM MOTOR SIP	
9	1466337000	1	Tie Kabel 4.8 X 430 Wit 2 Stuks Set	
10	9100002437	1	SCREW M5X20 TORX ISO7380-2 10 PCS SET	



Pos.	Artikelnummer	Hoeveelheid	Omschrijving	Notes
1	9100002465	1	HARDWARE FRONT WHEELS SYST.NO DRIVE KIT	
2	33023628	1	WASHER PLAIN M16X30 ISO7089 10PCS.SET	
3	9100002458	1	BUSHINGS AND BEARINGS F PEDAL SYST. KIT	
4	33023660	1	WASHER PLAIN M8X24X2 ISO7093 5 PCS SET	
5	9100002461	1	PEDAL BRUSH LIFTING GALV. SIP	
6	9100002462	2	WHEEL D.200X50 TPE BLACK/GREY SIP	
6	9100002546	1	WHEEL FRONT D.200 PU GREY-BLACK 2PCS SET	[1]
7	9100002463	1	SHAFT WHEELS PHOS. SIP	
8	9100002452	1	SPRING EXTENTION D.E.20.5 WIRE D.3.5 SIP	
9	9100002464	1	LEVER BRUSH DECK GALV. SIP	
10	9100002450	1	PLUG DOME O.D.42.4 PLAST.BLACK 2 PCS SET	
11	9100002456	1	SCREW M8X20 BUTTON ISO7380-2 10 PCS SET	
12	9100002457	1	ANTI-SLIP SURFACING BLACK 35X60MM SIP	
13	9100002459	1	CHAIN W/EYELET GROUND KIT	

Part Notes:

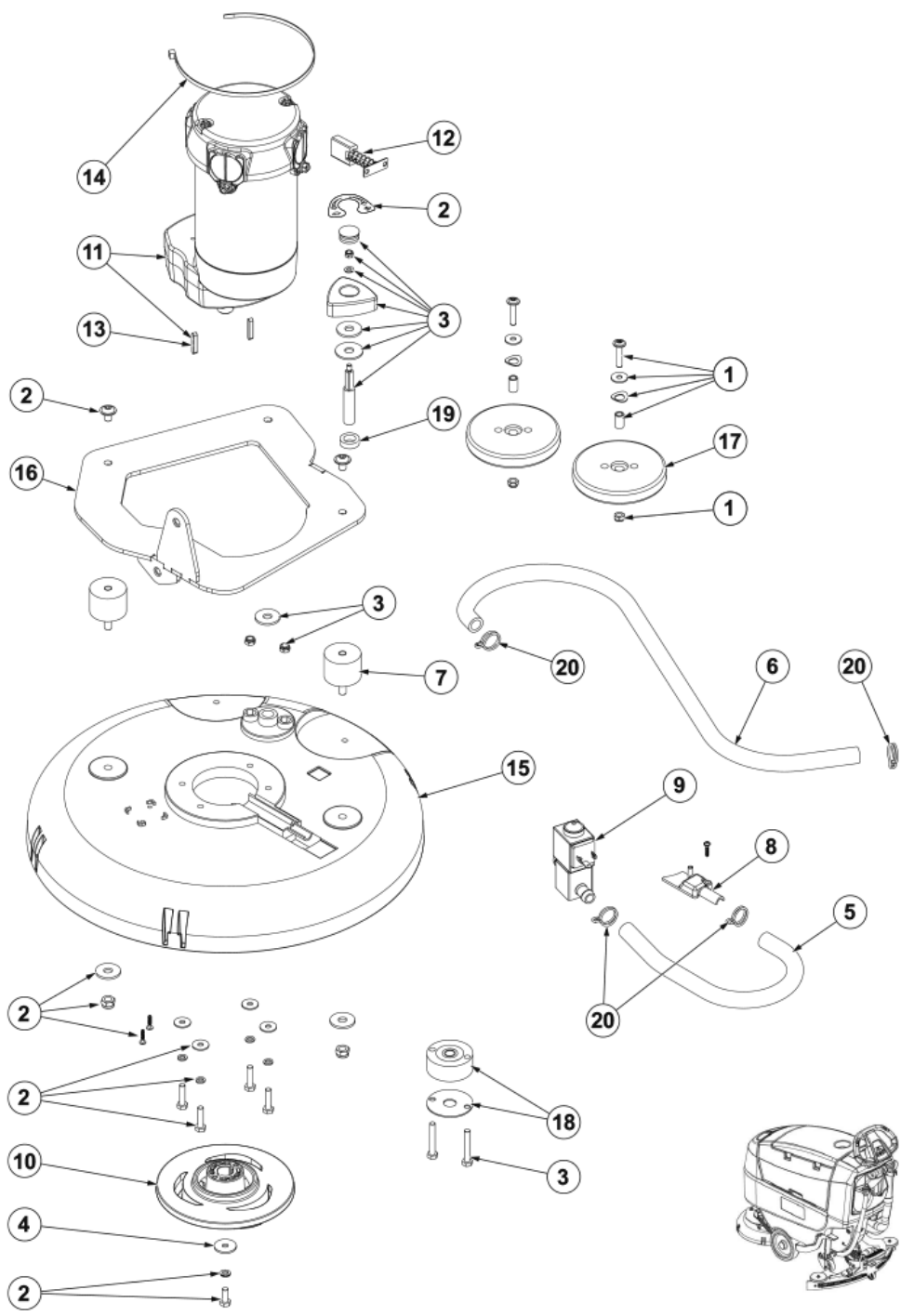
[1] - OPTIONAL



Pos.	Artikelnummer	Hoeveelheid	Omschrijving	Notes
1	140 9214 040	9	Schroef snoerclip UZ934	
2	9100002437	1	SCREW M5X20 TORX ISO7380-2 10 PCS SET	
3	9100002467	1	COVER PLAST. F HANDLE BAR SIP	[1]
4	9100002016	2	SENSOR CAPACITIVE SIP	
5	9100002468	1	HARNESS DASHBOARD SIP	
6	9100002469	2	HARNESS HANDLE BAR SENSORS SIP	
7	9100002472	1	CONTROLLER USER INTERFACE 24V SIP	
8	9100002553	1	COVER CENTRAL PLAST. F HANDLE BAR SIP	
9	9100002554	1	FRAME PLAST. F HANDLE BAR SIP	[1]

Part Notes:

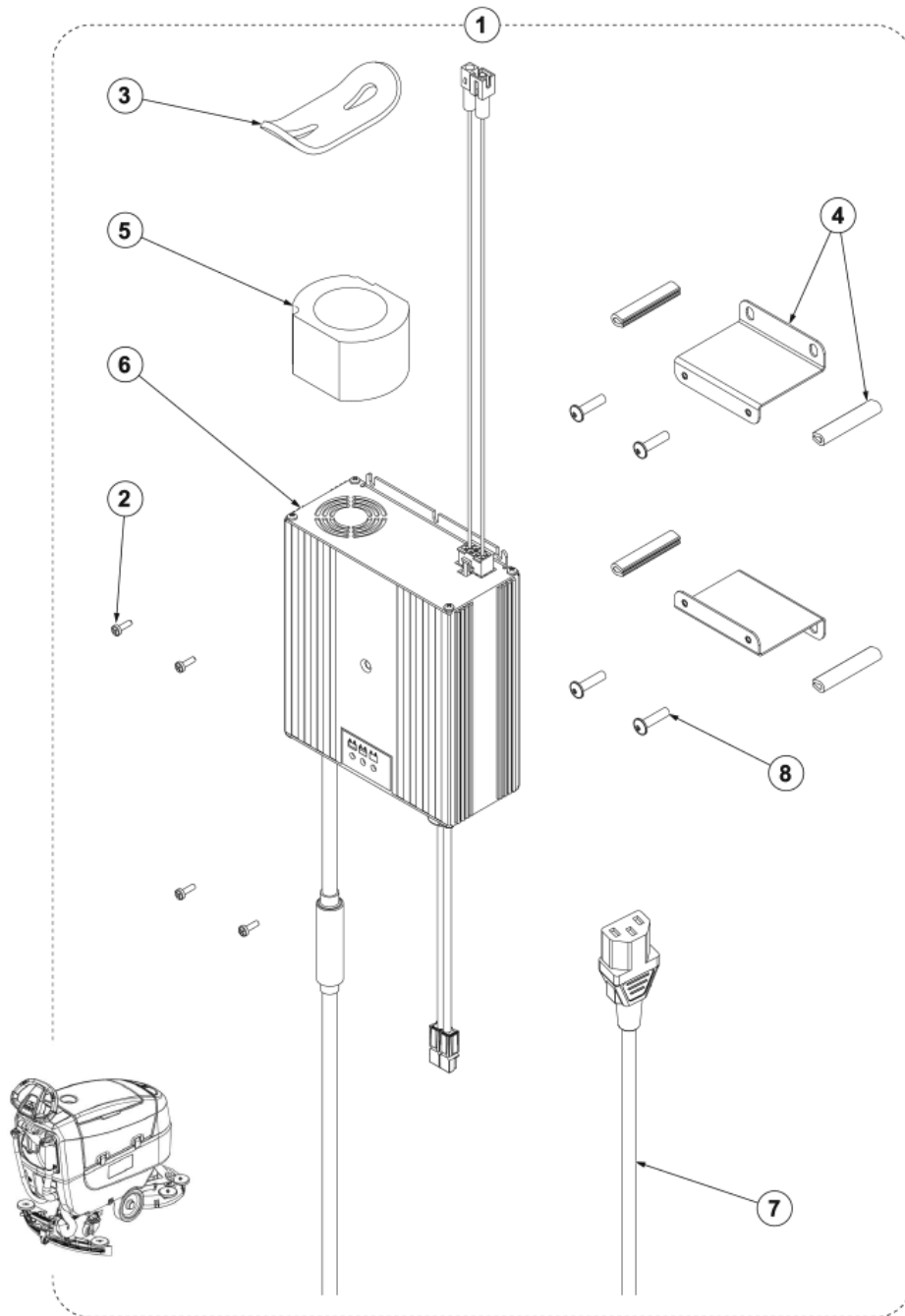
- [1] - PLEASE REFER TO TSB-FC-2020-012
- TSB-FC-2020-012 SC401 handelbar
- DE TSB-FC-2020-012 SC401 Bediengriff



Pos.	Artikelnummer	Hoeveelheid	Omschrijving	Notes
1	9100002481	1	HARDWARE BUMPER WHEELS KIT	
2	9100002482	1	HARDWARE BUSH DECK KIT	
3	9100002483	1	KNOB BRUSH SPEED ADJUSTM. KIT	
4	9100001272	1	WASHER PLAIN M6X24 SS ISO7093 10 PCS SET	
5	9100002479	1	HOSE PVC W/SPIRAL D.12X18 L.330MM SIP	
6	9100002480	1	HOSE PVC W/SPIRAL D.12X18 L.800MM SIP	
7	9100000868	1	VIBRATION DAMPING M8 60SH 2 PCS SET	
8	9100000869	1	COVER SOLUTION HOSE SUPPORT PKD	
9	9100000870	1	Waterklep 24V PKD	
10	9100000871	1	HUB BRUSH PKD	[1]
K1	9097093000	1	Houder Polygonaal kit	[1]
11	9100000874	1	REDUCTION GEAR MOTOR 450W 24V PKD	
12	9098376000	1	Koolborstel kit 4st.	
13	9100000875	1	KEY 5X5X30 DIN6885 2 PCS SET	
14	9100002449	1	Tie Kabel 4.8 X 500 Zwart 2 Pcs Set	
15	9100002477	1	DECK BRUSH 430MM/17 PLAST. SIP	
16	9100002478	1	PLATE BRUSH DECK HOLDER GALV. SIP	
17	9100001816	1	WHEEL BUMPER D.100 PLASTIC 2 PCS SET	
18	L08812780	1	Bufferkit	
19	9100002484	1	SPACER D.12.5X20 H.6 PLAST. SIP	
20	9100001159	1	CLAMP DOUBLE WIRE SPRING D.18 10 PCS SET	

Part Notes:

- [1] - TSB-FC-2019-037 brush hub SC500_SC2000_SC401
DE TSB-FC-2019-037 SC500 SC2000 SC401 Bürstenaufnahme



Pos.	Artikelnummer	Hoeveelheid	Omschrijving	Notes
1	9100002545	1	Ingebouwde lader 24V 10A EU	[1]
1	9100002751	1	CHARGER BATT O/B 24V 10A 100-240V JP KIT	[2]
2	9100002502	1	SCREW M3X10 PAN HD ISO7045 10 PCS SET	
3	9100000829	1	Elastische BEn Verlengkabel	
4	9100002503	1	SUPPORT GALV. F BATTERY CHARG. KIT	
5	9100002504	1	SLEEVE RUBBER BLACK F BATT. CHARGER SIP	
6	9100002505	1	CHARGER BATT.O/B 24V 10A 100-240V EU SIP	[3]
6	9100002506	1	CHARGER BATT.O/B 24V 10A 100-240V US SIP	[4]
6	9100003021	1	CHARG. BATT. O/B 24V 10A 100-240V JP SIP	
7	9100000787	1	Snoer Met Stekker L.2000	
7	1466318000	1	Verlengkabel Uk Plug L.2000 mm SIP	
7	1467891000	1	Verlengkabel Swiss Plug L.2000 mm SIP	
8	9100002437	1	SCREW M5X20 TORX ISO7380-2 10 PCS SET	

Part Notes:

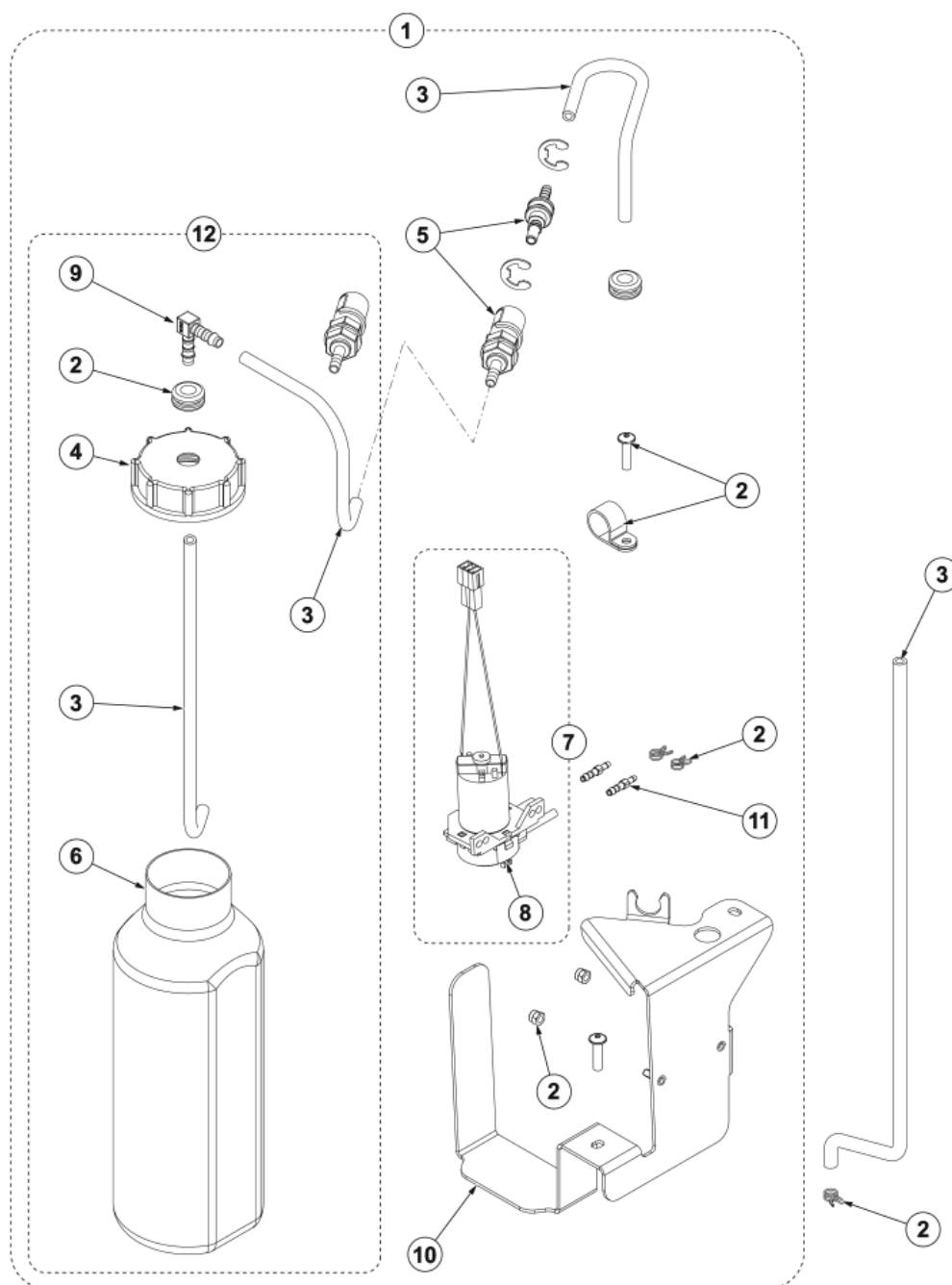
- [1] - OPTIONAL - SEE INST. INSTR. 9100002551
SEE TSB-FC-2018-009

TSB-FC-2020-008 SC401 OBC
DE TSB-FC-2020-008 SC401 Onboard Ladegerät
- [2] - OPTIONAL - SEE INST. INSTR. 9100002752
NO OTHER PARTS AVAILABLE
SEE TSB-FC-2018-009

TSB-FC-2020-008 SC401 OBC
DE TSB-FC-2020-008 SC401 Onboard Ladegerät
- [3] - Including sleeve 9100002504
SEE TSB-FC-2018-009
DE TSB-FC-2018-009 SC401 onboard Ladegerät

TSB-FC-2020-008 SC401 OBC
DE TSB-FC-2020-008 SC401 Onboard Ladegerät
- [4] - ONLY FOR US VERSION - incl. Sleeve 9100002504
SEE TSB-FC-2018-009
DE TSB-FC-2018-009 SC401 onboard Ladegerät

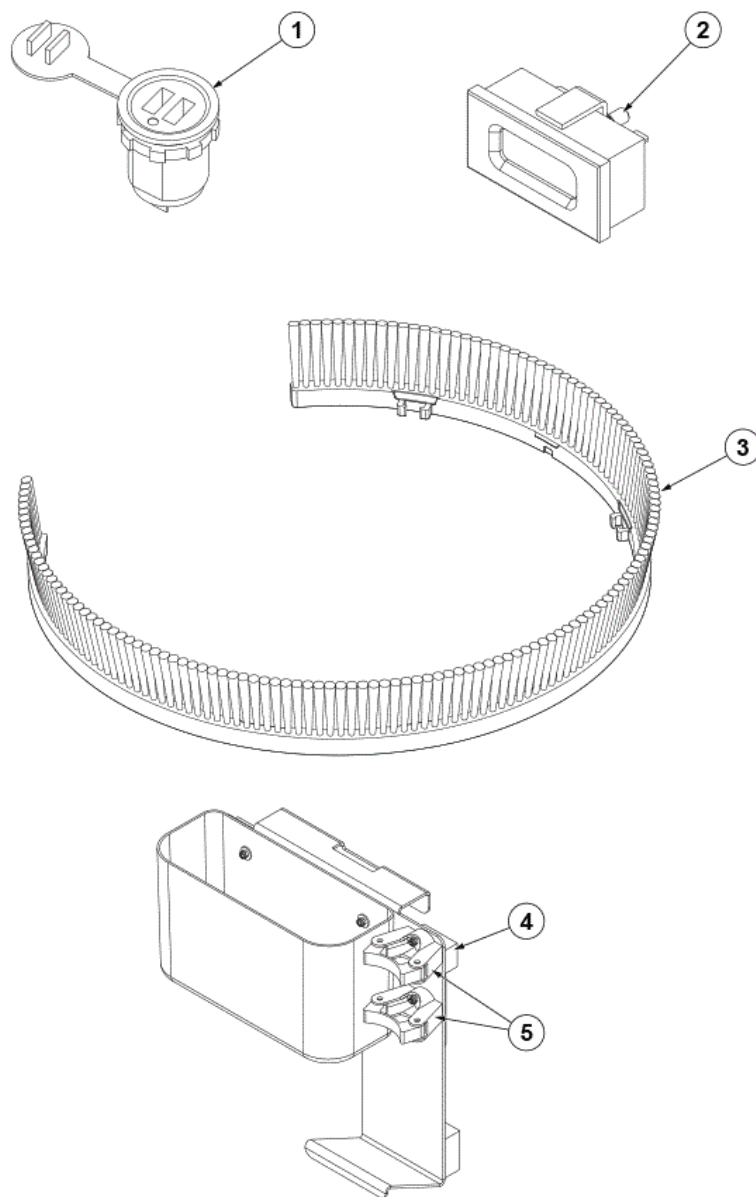
TSB-FC-2020-008 SC401 OBC
DE TSB-FC-2020-008 SC401 Onboard Ladegerät



Pos.	Artikelnummer	Hoeveelheid	Omschrijving	Notes
1	9100002531	1	Chemiedoseersysteem kit	[1]
2	9100002510	1	HARDWARE DETERGENT SYSTEM KIT	
3	9100002534	1	HOSES SILICONE D.4X7 KIT	
4	301001004	1	Kap voor chemieslang	
5	9100002508	1	HOLDERS RUBBER KIT	
6	31000912	1	Reinigingsmiddeltank 1 ltr.	
7	9100002398	1	PUMP DETERG. MIX PERISTALTIC 24V SIP	
8	9100002388	1	HEAD PERISTALTIC PUMP DETERG. SIP	
9	L08603189	1	L-verbinding	
10	9100002509	1	SUPPORT GALV. F PERISTALTIC PUMP SIP	
11	9100002402	1	BARB HOSE STRAIGHT D.5-D.4 2 PCS SET	
12	9100002575	1	KIT BOTTLE	

Part Notes:

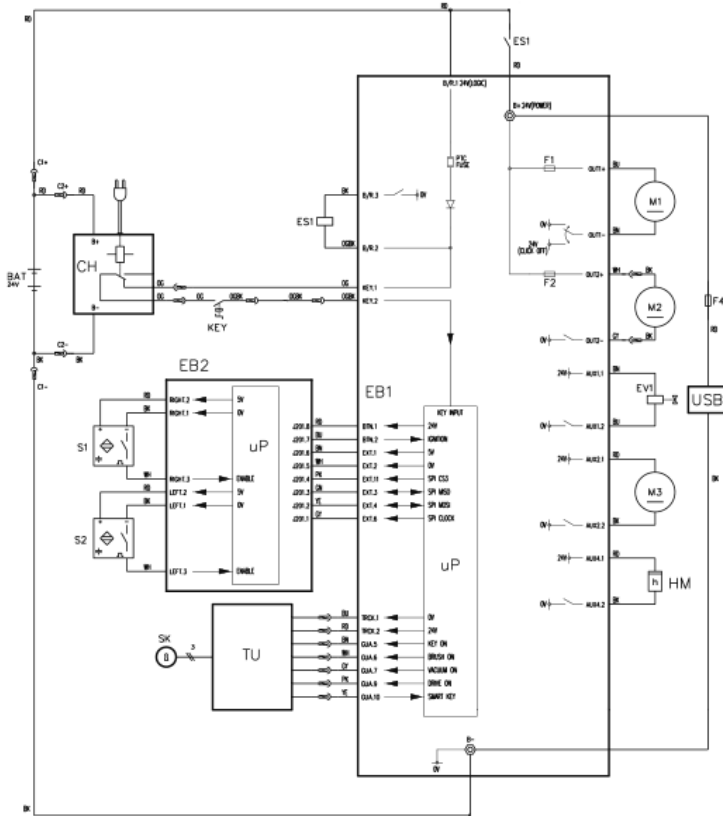
[1] - OPTIONAL - SEE INST. INSTR. 9100002550



Pos.	Artikelnummer	Hoeveelheid	Omschrijving	Notes
1	9100002258	1	USB poort kit	[1]
1	9100002607	1	USB PORT WITH KEY SC401/SCRUBTEC 344	[2]
2	9100002257	1	Urenteller 24V	[3]
3	9100001927	1	Antispatrand borstelhaar 432mm	[4]
4	9100002280	1	MOP AND TRASH KIT	[5]
5	9100001369	2	MOP KIT	

Part Notes:

- [1] - OPTIONAL - SEE INST. INSTR. 9100002548
ONLY FOR MACHINE WITH DRIVE
- [2] - OPTIONAL - SEE INST. INSTR. 9100002610
ONLY FOR MACHINE WITH NO DRIVE
- [3] - OPTIONAL - SEE INST. INSTR. 9100002547
- [4] - OPTIONAL
- [5] - OPTIONAL - SEE INST. INSTR. 9100002279



Pos.	Artikelnummer	Hoeveelheid	Omschrijving	Notes
BAT			BATTERIES	
C1	9100002248		CONNECTOR 50A RED SIP	
C2			CONNECTOR	
CH	9100002505		CHARGER BATT.O/B 24V 10A 100-240V EU SIP	[1]
EB1	9100002494		CONTROLLER MAIN MACHINE BAT SIP	
EB2	9100002472		CONTROLLER USER INTERFACE 24V SIP	
ES1	145 3712 000		Relay 24V	
EV1	9100000870		Waterklep 24V PKD	
F1	145 8513 000		Zekering 30A P365	
F2	145 8513 000		Zekering 30A P365	
F4			FUSE	
HM	9100002257		Urenteller 24V	
KEY	9100001354		Kontaktslot	
M1	9100000874		REDUCTION GEARMOTOR 450W 24V PKD	
M2	9100000823		Zuigmotor 24V 280W PKD	
M3	9100002398		PUMP DETERG. MIX PERISTALTIC 24V SIP	
S1,S2	9100002016		SENSOR CAPACITIVE SIP	
SK			SMART KEY	
TU			TRACK CLEAN	
USB	9100002258		USB poort kit	

Part Notes:

- [1] - TSB-FC-2020-008 SC401 OBC
DE TSB-FC-2020-008 SC401 Onboard Ladegerät

PL RECOMMENDED PARTS

SC401 B FULL PKG NIL

2017.11.02

2017.10.26

Pos.	Artikelnummer	Hoeveelheid	Omschrijving	Notes
NW	910000920	1	CARBON BRUSHES W/HOLDER KIT	
NW	9100002541	1	Zuigmond rubbers 730MM rubber	
NW	9100002542	1	Zuigmond rubbers 730MM PU	
NW	9100002543	1	BLADE SQUEEGEE 700MM 28 RED GUM KIT	
NW	9098376000	1	Koolborstel kit 4st.	
OM	9100000703	1	Vulslang BR	
OM	9100002431	1	HOSE FRESH WATER LEV. W/CAP KIT	
OM	9100002443	1	HOSE DRAIN BLACK L.530MM SIP	
OM	9100002444	1	HOSE SUCTION SQUEE. 90 BLACK L.970MM SIP	
OM	9100002447	1	GASKETS VAC. MOTOR KIT	
OM	9100000823	1	Zuigmotor 24V 280W PKD	
OM	9100002462	2	WHEEL D.200X50 TPE BLACK/GREY SIP	
OM	9100002546	1	WHEEL FRONT D.200 PU GREY-BLACK 2PCS SET	
OM	9100000856	1	WHEEL CASTOR D.80 2 PCS SET	
OM	9100002396	1	SLEEVE RUBBER BLACK F SUCTION HOSE SIP	
OM	9100000861	1	Filter inzet	
OM	9100002570	1	SQUEEGEE 700MM 28 PLAST. KIT	
OM	9100000862	1	KNOB LOBES M8 FEMALE PKD	
OM	9100000747	1	SQUEEGEE 730MM/29 PRE-ASSEMBLED PKD	
OM	9100000559	3	Wiel d.51 grijs PKD	
OM	9100000864	1	STRAP ELASTIC F REAR SQUEEGEE BLADE PKD	
OM	9100000865	1	STRAP FRONT SQUEEGEE BLADE PKD	
OM	9100001816	1	WHEEL BUMPER D.100 PLASTIC 2 PCS SET	
OM	9100000870	1	Waterklep 24V PKD	
OM	9100000871	1	HUB BRUSH PKD	
OM	9100000874	1	REDUCTION GEARMOTOR 450W 24V PKD	
OM	9100001816	1	WHEEL BUMPER D.100 PLASTIC 2 PCS SET	
OM	9100000870	1	Waterklep 24V PKD	
OM	9100000871	1	HUB BRUSH PKD	
OM	9100000874	1	REDUCTION GEARMOTOR 450W 24V PKD	
OM	9100001816	1	WHEEL BUMPER D.100 PLASTIC 2 PCS SET	
OM	145 8513 000	3	Zekering 30A P365	
OM	9100002534	1	HOSES SILICONE D.4X7 KIT	
OM	9100002388	1	HEAD PERISTALTIC PUMP DETERG. SIP	
EOM	9100002480	1	HOSE PVC W/SPIRAL D.12X18 L.800MM SIP	
EOM	9100002478	1	PLATE BRUSH DECK HOLDER GALV. SIP	
EOM	9100002483	1	KNOB BRUSH SPEED ADJUSTM. KIT	
EOM	9100002479	1	HOSE PVC W/SPIRAL D.12X18 L.330MM SIP	
EOM	9100002480	1	HOSE PVC W/SPIRAL D.12X18 L.800MM SIP	
EOM	9100002477	1	DECK BRUSH 430MM/17 PLAST. SIP	
EOM	9100002494	1	CONTROLLER MAIN MACHINE BAT SIP	
EOM	9100002489	1	HARNESSELECT.COMP.BOX BA DRIVE SIP	
EOM	9100002490	1	Batterij bekabeling	
EOM	9100002248	2	CONNECTOR 50A RED SIP	
EOM	1467035000	1	HOLDER FUSE THERMOPL. UL 94-V0 PKD	
EOM	145 3712 000	1	Relay 24V	
EOM	9100002496	1	GASKET BULB REINFORCED L.1050MM SIP	
EOM	9100002532	1	Sleutel/slot kit	
EOM	9100001354	1	Kontaktslot	
EOM	146 2887 000	1	Sleutel 2 stuks	
EOM	9100002501	1	HARNESSELECT SWITCH STARTER SIP	
EOM	9100002545	1	Ingebouwde lader 24V 10A EU	
EOM	9100002504	1	SLEEVE RUBBER BLACK F BATT. CHARGER SIP	
EOM	9100002505	1	CHARGER BATT.O/B 24V 10A 100-240V EU SIP	
EOM	9100000787	1	Snoer Met Stekker L.2000	
EOM	1466318000	1	Verlengkabel Uk Plug L.2000 mm SIP	
EOM	9100000829	1	Elastische BEn Verlengkabel	
EOM	9100002504	1	SLEEVE RUBBER BLACK F BATT. CHARGER SIP	

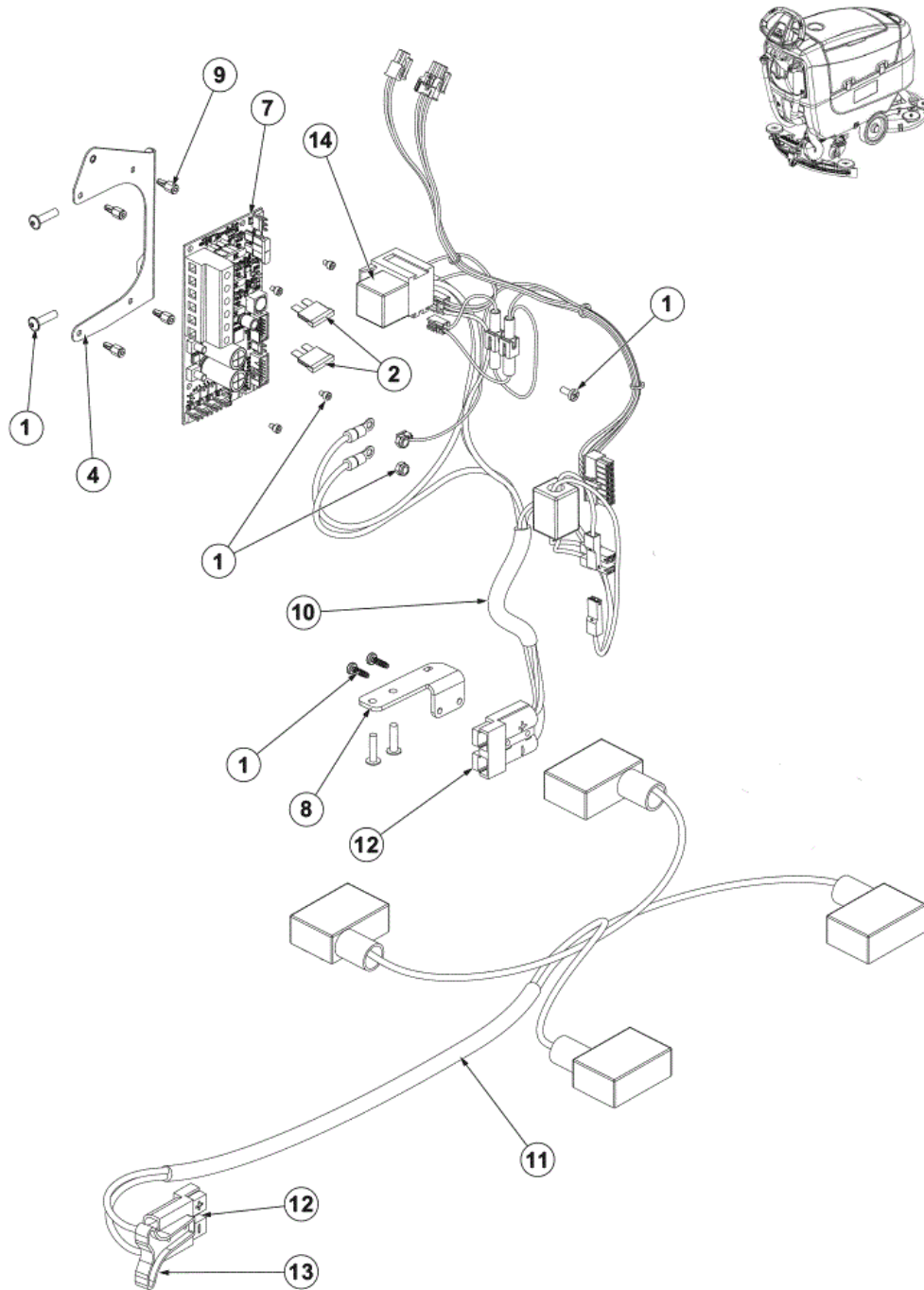
PL RECOMMENDED PARTS

SC401 B FULL PKG NIL

2017.11.02

2017.10.26

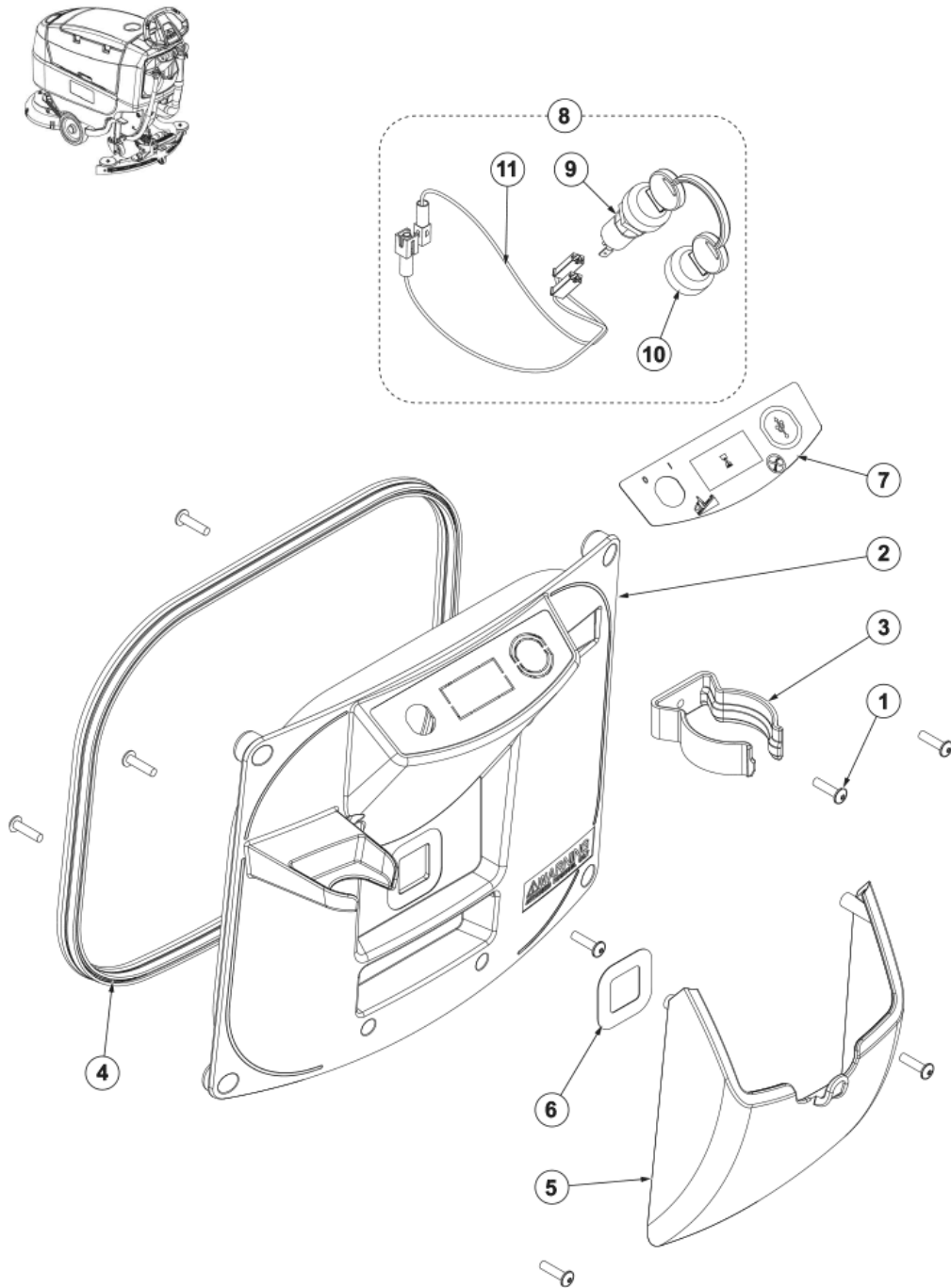
Pos.	Artikelnummer	Hoeveelheid	Omschrijving	Notes
EOM	301001004	1	Kap voor chemieslang	
EOM	9100002508	1	HOLDERS RUBBER KIT	
EOM	31000912	1	Reinigingsmiddeltank 1 ltr.	
EOM	9100002398	1	PUMP DETERG. MIX PERISTALTIC 24V SIP	



Pos.	Artikelnummer	Hoeveelheid	Omschrijving	Notes
1	9100002492	1	HARDWARE ELECTRICAL SYST. KIT	
2	145 8513 000	3	Zekering 30A P365	
4	9100002485	1	SUPPORT GALV. F CONTR. MAIN MACH. BA SIP	
7	9100002494	1	CONTROLLER MAIN MACHINE BAT SIP	
8	9100002487	1	SUPPORT GALV. F BATTERY CONNECTOR SIP	
9	9100002488	1	SUPPORT THD PLAST F CONTROLLER 4 PCS SET	
10	9100002489	1	HARNESSELECT.COMP.BOX BA DRIVE SIP	
11	9100002490	1	Batterij bekabeling	
12	9100002248	2	CONNECTOR 50A RED SIP	
13	9100000885	1	HANDLE F BATTERY CONNECTOR SIP	
14	145 3712 000	1	Relay 24V	
	101221030	1	SERVICE TOOL BOX	[1]

Part Notes:

- [1] - SERVICE TOOLS
SM 9100002300 ENsee page 34



Pos.	Artikelnummer	Hoeveelheid	Omschrijving	Notes
1	9100002437	1	SCREW M5X20 TORX ISO7380-2 10 PCS SET	
2	9100002495	1	COVER PLAST. ELECT. COMP. BOX DRIVE SIP	
3	909 6380 000	1	Klemset tank	
4	9100002496	1	GASKET BULB REINFORCED L.1050MM SIP	
5	9100002497	1	POCKET PLAST. F ELECTR. BOX COVER SIP	
6	9100002498	1	DECAL TRANSP.BOX F EL.COVER INSPECT. SIP	
7	9100002499	1	DECAL ELECTRIC BOX COVER BA SIP	
8	9100002532	1	Sleutel/slot kit	[1]
9	9100001354	1	Kontaktslot	
10	146 2887 000	1	Sleutel 2 stuks	
11	9100002501	1	HARNESS SWITCH STARTER SIP	[2]

Part Notes:

- [1] - STANDARD FOR DRIVE
 OPTIONALFOR NO DRIVE- SEE INST. INSTR. 9100002549
- [2] - UNTILL S/N

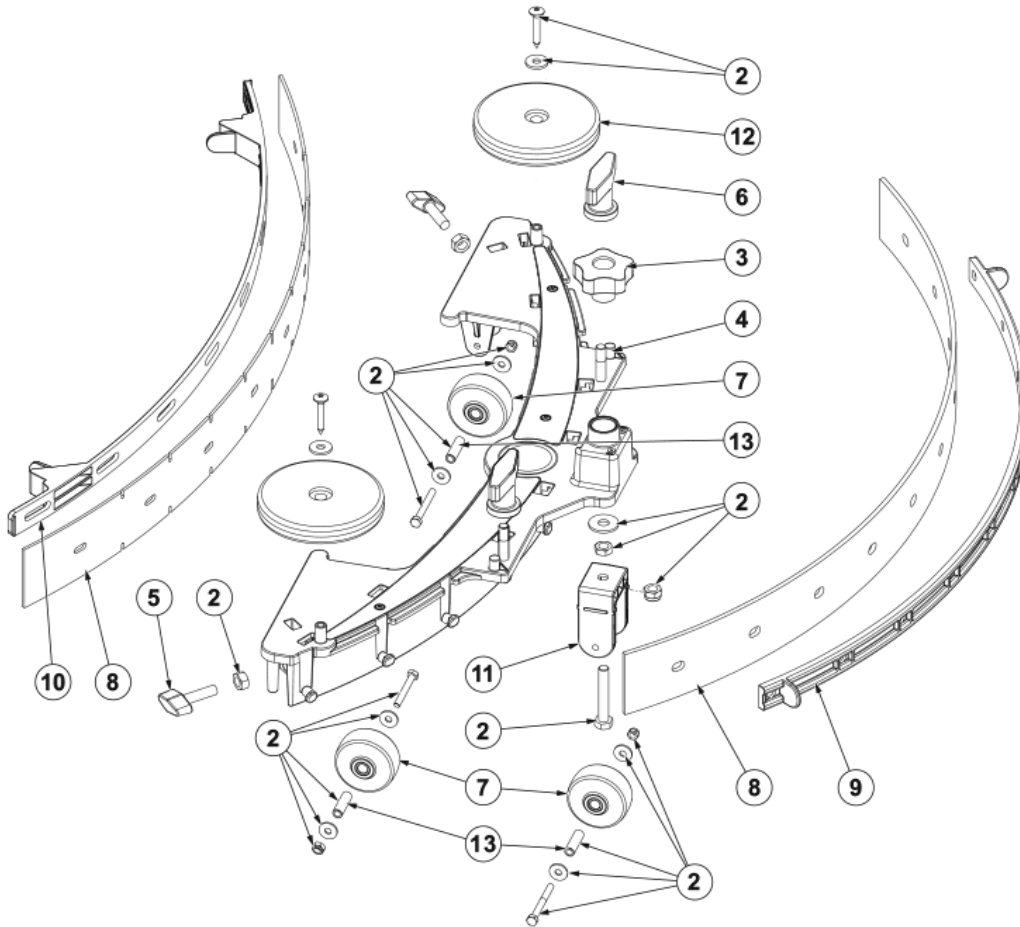
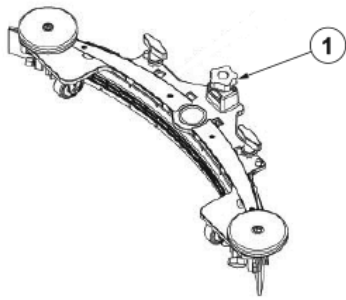
PL REAR WHEELS SYSTEM

SC401 B FULL PKG NIL

2017.11.02

2017.12.06

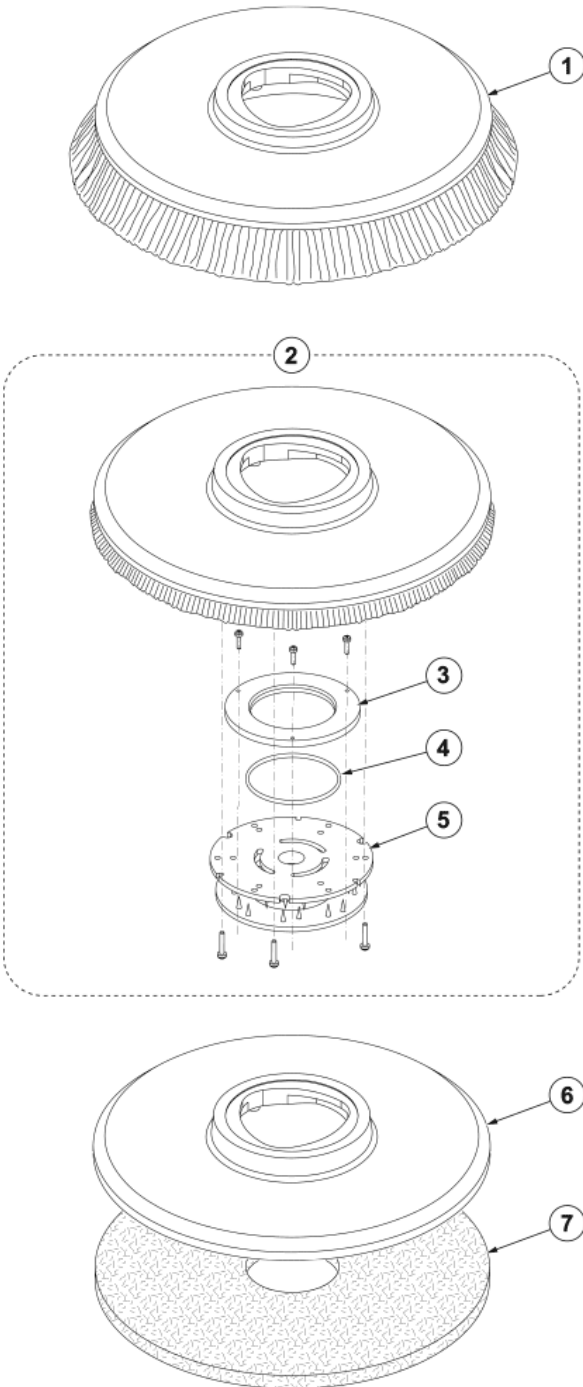
Pos.	Artikelnummer	Hoeveelheid	Omschrijving	Notes
1	9100002475	1	HARDWARE REAR WHEELS SYSTEM KIT	
2	33023223	1	WASHER M8 UNI1751B 10 PCS SET	
3	9100000902	1	BEARING FLANGE IGLIDUR 2 PCS SET	
4	9100000903	1	WASHER THRUST GTM 3254-015 SIP	
5	9100000853	1	SUPPORT LOWER F SQUEEGEE SIP	
6	9100000854	1	LEVER SQUEEGEE LIFT 2 PCS SET	
7	9100000856	1	WHEEL CASTOR D.80 2 PCS SET	
8	9100002473	1	SUPPORT ALU F REAR WHEELS-SQUEEGEE SIP	
9	33023660	2	WASHER PLAIN M8X24X2 ISO7093 5 PCS SET	
10	9100002400	1	SUPPORT UPPER F SQUEEGEE KIT	
11	9100002401	1	SPRING COMPRESSION KIT	
12	9100002396	1	SLEEVE RUBBER BLACK F SUCTION HOSE SIP	
13	9100000803	1	Waterkraan haaks	
14	9100002474	1	HOSE PVC W/SPIRAL D.12X18 L.100MM SIP	
15	9100001159	1	CLAMP DOUBLE WIRE SPRING D.18 10 PCS SET	
16	9100000860	1	FILTER WATER PKD	
17	9100000861	1	Filter inzet	



Pos.	Artikelnummer	Hoeveelheid	Omschrijving	Notes
1	9100002570	1	SQUEEGEE 700MM 28 PLAST. KIT	
2	9100000748	1	HARDWARE SQUEEGEE KIT	
3	9100000862	1	KNOB LOBES M8 FEMALE PKD	
4	9100000747	1	SQUEEGEE 730MM/29 PRE-ASSEMBLED PKD	
5	9100000791	2	KNOB M8X30 THD STUD SS PKD	
6	9097637000	1	SQUEEGEE FIXING KIT	
7	9100000559	3	Wiel d.51 grijs PKD	
8	9100002541	1	Zuigmond rubbers 730MM rubber	[1]
8	9100002542	1	Zuigmond rubbers 730MM PU	[1]
8	9100002543	1	BLADE SQUEEGEE 700MM 28 RED GUM KIT	[1]
9	9100000864	1	STRAP ELASTIC F REAR SQUEEGEE BLADE PKD	
10	9100000865	1	STRAP FRONT SQUEEGEE BLADE PKD	
11	9100000866	1	SUPPORT SQUEEGEE WHEEL SIP	
12	9100001816	1	WHEEL BUMPER D.100 PLASTIC 2 PCS SET	
13	9100002408	1	KIT ENTRETOISES PLAST. 5.1X8X28.5 3 PCS	

Part Notes:

[1] - OPTIONAL



Pos.	Artikelnummer	Hoeveelheid	Omschrijving	Notes
1	L08812891	1	Borstel 17 inch prolene 430mm	[1]
1	909 5691 000	1	Borstel 17 inch 430mm midlite grit 180	[1]
1	909 5692 000	1	Borstel 17 inch 430mm mid grit 240	[1]
1	909 5693 000	1	Borstel 17 inch prolite 430mm	[1]
1	909 5694 000	1	Borstel 17 inch union mix 430mm	[1]
2	9100001897	1	PAD HOLDER BRISTLE 17 430MM	[1]
3	L08603966	1	Nylon ring	
4	L08603965	1	O-RING 2.62X82.22 -3325-NBR 40SH	
5	56505195	1	Sluitplaat padhouder	
6	9100002050	1	PAD HOLDER FLAT 17 432MM	[1]
7	10001936	1	Pads 17 inch Eco wit 5 st.	[1]
7	10001937	1	Pads 17 inch Eco bruin 5 st.	[1]
7	10001938	1	Pads 17 inch Eco zwart 5 st.	[1]
7	10001939	1	Pads 17 inch Eco blauw 5 st.	[1]
7	10001940	1	Pads 17 inch Eco groen 5 st.	[1]
7	10001941	1	Pads 17 inch Eco rood 5 st.	[1]
7	10002336	1	Pads 17 inch Eco Brilliant rood 2 st.	[1]
7	10002337	1	Pads 17 inch Eco Brilliant blauw 2 st.	[1]
7	10002338	1	Pads 17 inch Eco Brilliant geel 2 st.	[1]
7	10002339	1	Pads 17 inch Eco Brilliant groen 2 st.	[1]

Part Notes:

[1] - OPTIONAL

