

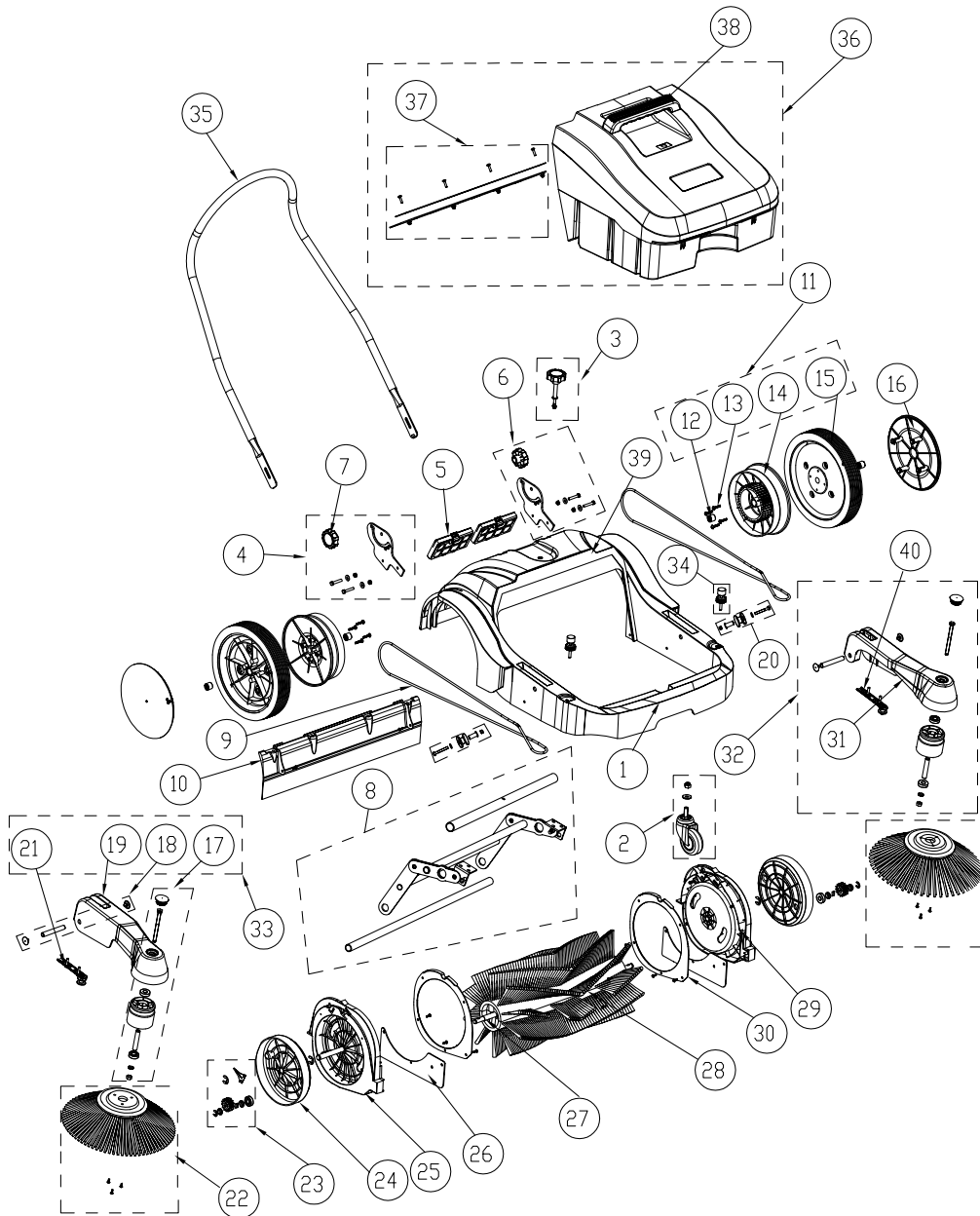
PARTS LIST



2021.02.16

TABLE OF CONTENTS

Overview1
WEAR AND TEAR PARTS.....3



| Pos. | Artikelnummer | Hoeveelheid | Omschrijving | Notes |
|------|---------------|-------------|-----------------------------------|-------|
| | VP11706 | 1 | CARTON FOR PUSH SWEEPER | |
| 1 | VP11001 | 1 | CHASSIS | |
| 2 | VP11911 | 1 | CASTOR KIT | |
| 3 | VP11913 | 1 | MAIN BROOM HEIGHT ADJUSTMENT KNOB | |
| 4 | VP11901 | 1 | HANDLE MOUNTING PLATE RIGHT KIT | |
| 5 | VP11902 | 1 | FILTER | |
| 6 | VP11908 | 1 | HANDLE MOUNTING PLATE LEFT KIT | |
| 7 | VP11021 | 2 | HANDLE ADJUSTMENT KNOB | |
| 8 | VP11914 | 1 | MAIN BROOM ADJUSTMENT KIT | |
| 9 | VP11012 | 2 | ROUND BELT D6 | |
| 10 | VP11010 | 1 | REAR SEAL SKIRT | |
| 11 | VP11300 | 2 | WHEEL KIT | |
| 12 | VP11302 | 4 | PLASTIC BEARING | |
| 13 | VA80825 | 8 | SCREW ST5X25 | |
| 14 | VP11301 | 2 | PLASTIC GEAR WHEEL | |
| 15 | VP11312 | 2 | DRIVE WHEEL - BLACK | |
| 16 | VP11303 | 2 | WHEEL CAP | |
| 17 | VP11903 | 2 | poelie kit zijborstel | |
| 18 | VP11904 | 2 | SIDE BROOM AXLE KIT | |
| 19 | VP11401 | 1 | RIGHT SIDE BROOM ARM | |
| 20 | VP11905 | 2 | GUIDE WHEEL KIT | |
| 21 | VP11420 | 1 | BELT TENSION KIT RIGHT | |
| 22 | VP11408 | 2 | SIDE BROOM KIT | |
| 23 | VP11906 | 2 | GEAR KIT | |
| 24 | VP11203 | 2 | MAIN BROOM ADJUSTING PLASTIC DISK | |
| 25 | VP11201 | 1 | RIGHT SUPPORT BASE | |
| 26 | VP11204 | 2 | SEAL SKIRT | |
| 27 | VP11212 | 1 | MAIN BROOM SHAFT | |
| 28 | VP11211 | 1 | MAIN BROOM | |
| 29 | VP11202 | 1 | LEFT SUPPORT BASE | |
| 30 | VP11206 | 2 | COVER SUPPORT BASE | |
| 31 | VP11501 | 1 | LEFT SIDE BROOM ARM | |
| 32 | VP11500 | 1 | SIDE BROOM LEFT KIT | |
| 33 | VP11400 | 2 | KIT BROUSSE LATÉRALE DROITE | |
| 34 | VP11907 | 2 | SIDE BROOM ADJUST KIT | |
| 35 | VP11011 | 1 | POIGNEE REGLABLE | |
| 36 | VP11600 | 1 | HOPPER | [1] |
| 36 | VP11620 | 1 | HOPPER | [2] |
| 37 | VP11910 | 1 | SKIRT HOPPER KIT | |
| 38 | VP11603 | 1 | HANDLE HOPPER | |
| 39 | VP11023 | 1 | SEALING | |
| 40 | VP11909 | 1 | BELT TENSION LEFT KIT | |

Part Notes:

- [1] - SW200 700/SW250 920
- [2] - FLOORTEC 570M/FLOORTEC 592M

WEAR AND TEAR PARTS

SW250 920 NIL

2013.04.23

2020.07.10

| Pos. | Artikelnummer | Hoeveelheid | Omschrijving | Notes |
|------|---------------|-------------|------------------------|-------|
| | VP11911 | 1 | CASTOR KIT | |
| | VP11902 | 1 | FILTER | |
| | VP11012 | 2 | ROUND BELT D6 | |
| | VP11010 | 1 | REAR SEAL SKIRT | |
| | VP11300 | 2 | WHEEL KIT | |
| | VP11408 | 2 | SIDE BROOM KIT | |
| | VP11204 | 2 | SEAL SKIRT | |
| | VP11211 | 1 | MAIN BROOM | |
| | VP11910 | 1 | SKIRT HOPPER KIT | |
| | VP11023 | 1 | SEALING | |
| | VP11021 | 2 | HANDLE ADJUSTMENT KNOB | |

