

# PARTS LIST

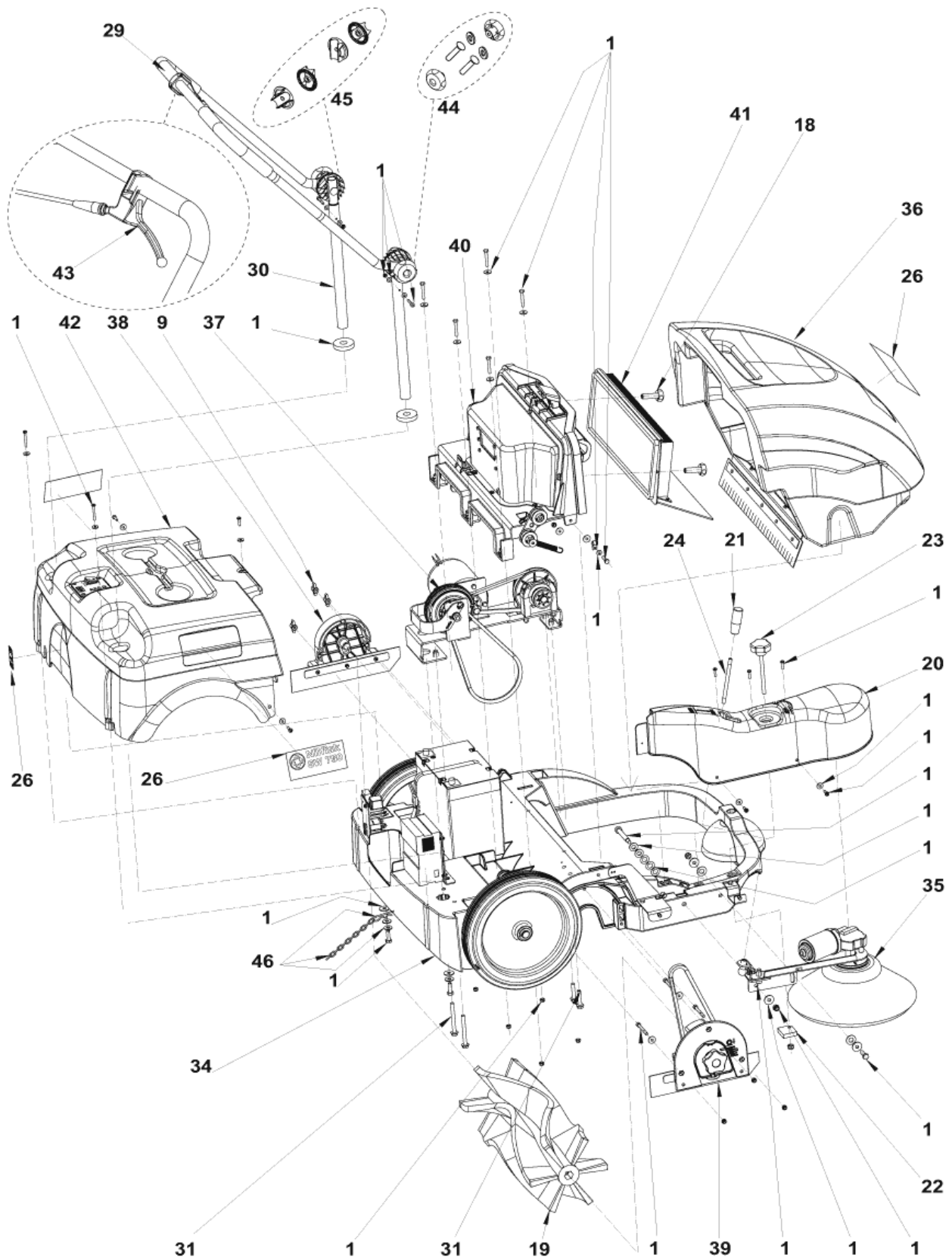


2020.09.21

# TABLE OF CONTENTS

---

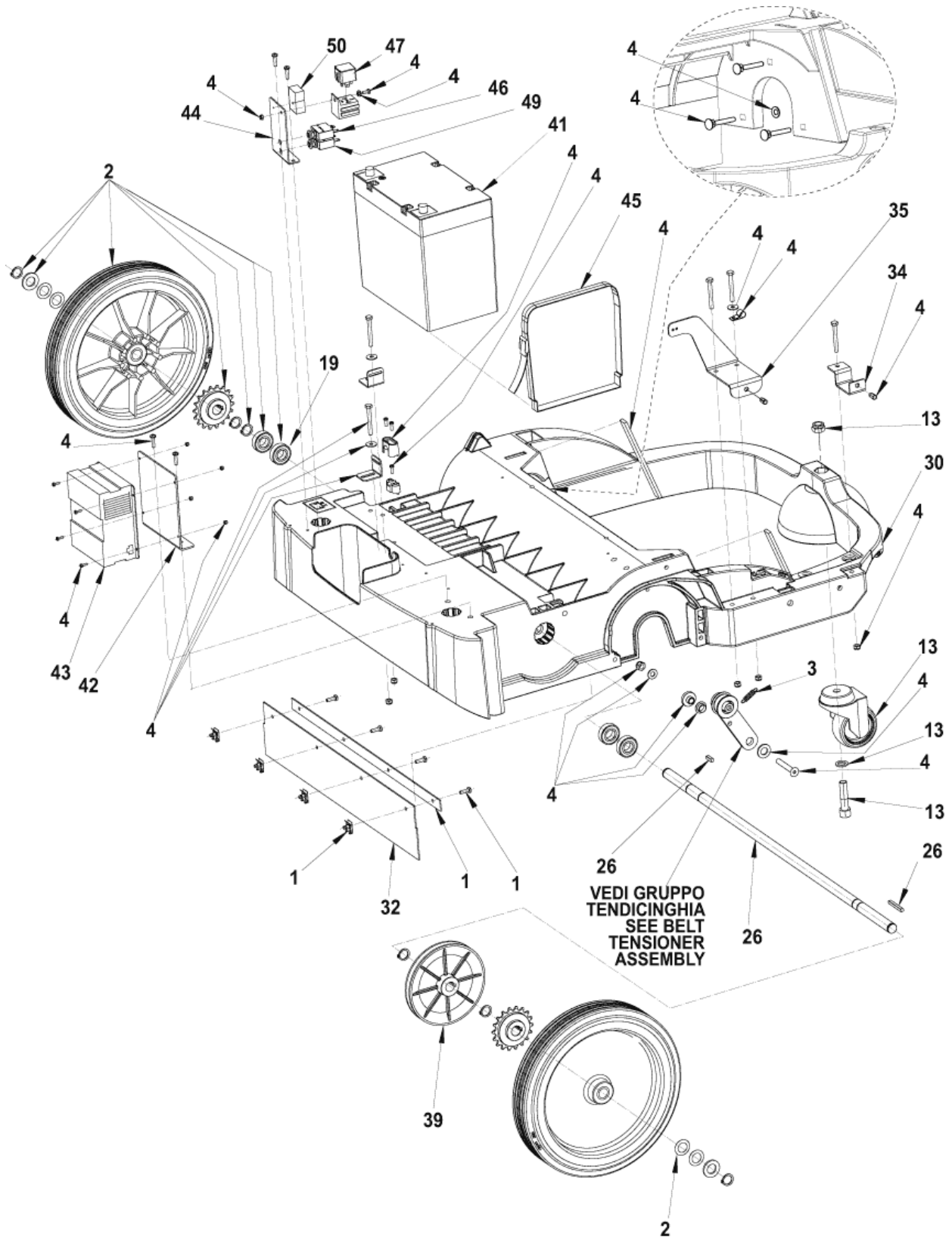
General view .....	1
Chassis system .....	3
Side broom assembly .....	5
Hopper system .....	7
Transmission system .....	9
Left and right hatch assembly .....	11
Belt tensioner assemblies .....	13
Dust control system .....	15
Vacuum system .....	17
Control panel assembly .....	19
Wiring diagram .....	21
Recommended spare parts .....	23



Pos.	Artikelnummer	Hoeveelheid	Omschrijving	Notes
1	1463858000	1	GENERAL HARDWARE KIT	
9	909 6356 000	1	Wing Nuts kit	
18	146 2991 000	2	Handwheël	
19	146 3016 000	1	Hoofdborstel 180 x 500 tapijt	
19	1463174000	1	Hoofdborstel 200x500 PPL Ø 0,7	
20	1466781000	1	CRANKCASE SIDE BROOM GREY SIP	
21	146 3037 000	1	Handvat hendel	
22	146 3038 000	1	Adjuster Block F. Broom	
23	146 3039 000	1	KNOB M8X110	
24	146 3040 000	1	Hefboom zijborstel	
26	1463979000	1	Stickerkit SW 750	
29	146 3066 000	1	HANDLE BAR	
30	1466965000	1	BAR F HANDLE 2 PCS SET	
31	1463868000	1	HARDWARE TRANSMISSION SYST KIT	
34		1	Chassis system	[1]
35		1	Side broom ass.	[2]
36		1	Hopper system	[3]
37		1	Transmission system	[4]
38		1	Left hatch ass.	[5]
39		1	Right hatch ass.	[5]
40		1	Dust control system	[6]
41		1	Filter ass.	[7]
42		1	Control panel ass.	[8]
43	146 3068 000	1	Hendel Met Kabel Kunststof	
44	1463859000	1	Handle Fixing kit	
45	909 5099 000	1	Stelplaat duwbeugel BA 510/610 (set4stk)	
46	1463260000	1	CHAIN GROUND KIT	
47	1463171000	1	Tapijtkit	[9]

## Part Notes:

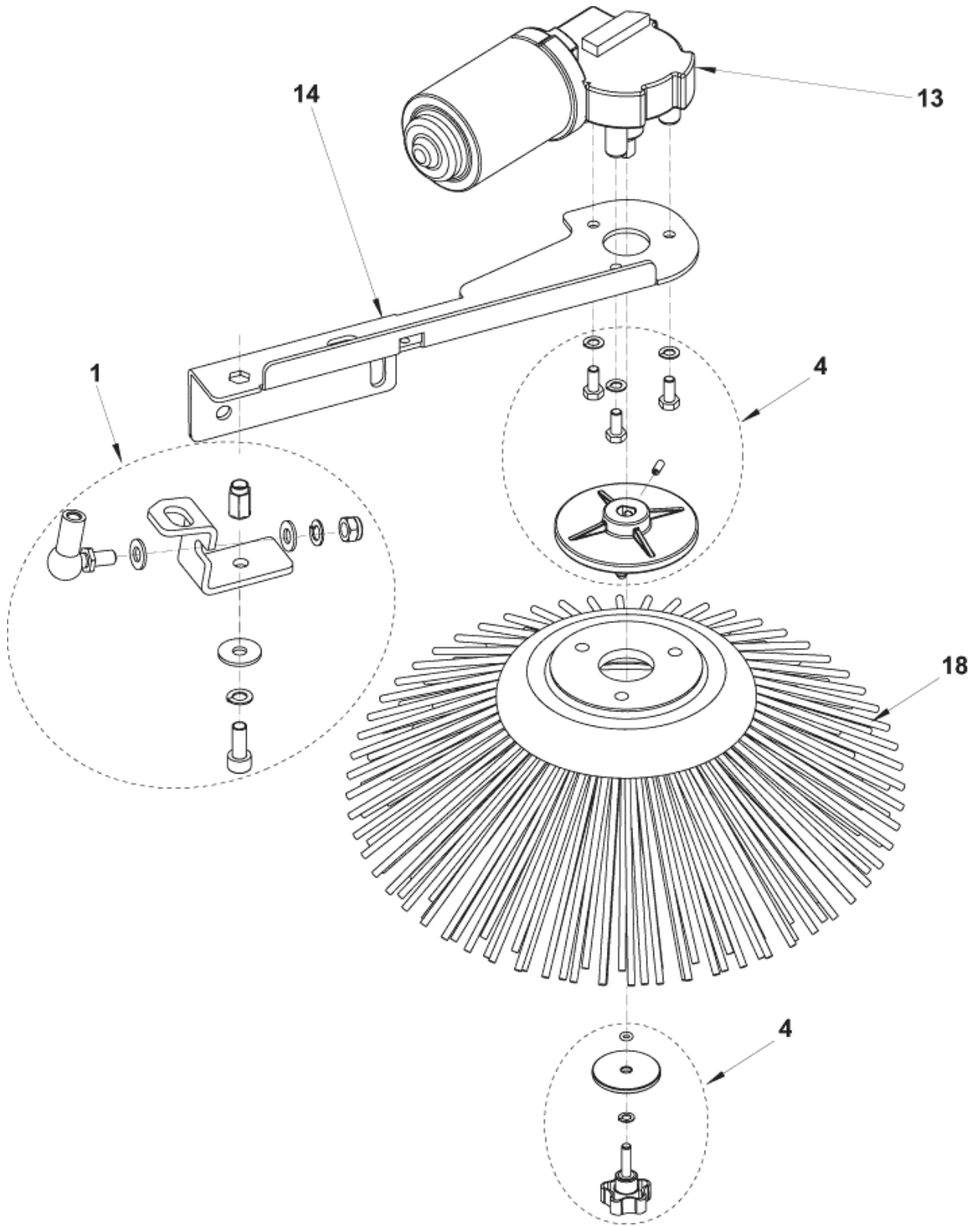
- [1] - Chassis system
- [2] - Side broom assembly
- [3] - Hopper system
- [4] - Transmission system
- [5] - Left and right hatch assembly
- [6] - Dust control system
- [7] - Vacuum system
- [8] - Control panel assembly
- [9] - NOT SHOWN - OPTIONAL



Pos.	Artikelnummer	Hoeveelheid	Omschrijving	Notes
1	146 3124 000	1	Strippen bevestigingsset	
2	1463860000	2	Kit zwarte wiel	
3	145 8925 000	1	SPRING	
4	1463861000	1	HARDWARE CHASSIS SYSTEM KIT	
13	1463862000	1	Wheel castor kit	
19	1467030000	4	BEARING BALL 6003 2RS PKD	
26	1463863000	1	SHAFT WHEELS KIT	
30	1466783000	1	CHASSIS SIP	
32	1463166000	1	Skirts kit	
34	146 2983 000	1	BRACKET CARTER FIXING	
35	146 2984 000	1	BRACKET CARTER FIXING	
39	146 2998 000	1	PULLEY D.140	
41	1464483000	1	Batterij AGM monobloc 12V - 49A	[1]
41	1464853000	1	Batterij 12V - 87 Ah gel	[1]
42	146 3050 000	1	BRACKET BAT.CHARGER FIX	
43	146 3051 000	1	Lader 12V - 6 Ah	
44	146 3053 000	1	SUPPORT ELECTRONIC COMP.	
45	1467834000	1	BELT BATTERY FIXING	
46	146 3090 000	1	Schakelaar 5A	
47	146 3113 000	1	Relais 12V 70Ah Tyco	
49	909 5706 000	1	Zekering 30A	
50	909 6341 000	1	HOLDER FUSE	
51	146 3052 000	1	HARNES MACHINE	[2]
52	1463167000	1	Zijrubbers non-markingkit	[3]
53	9100000790	1	Snoer 1000 mm Met Eu Stekkers	[2]
53	1467891000	1	Verlengkabel Swiss Plug L.2000 mm SIP	[2]
54	9096914000	1	Aansluitsnoer Met Us Stekker V. Lader Ba	[2]
55	1466318000	1	Verlengkabel Uk Plug L.2000 mm SIP	[2]
56	1467596000	1	FUSE BLADE 7.5A SIP	[2]
57	1463201000	1	BATTERY CLAMPS PLUS-MINUS KIT	[4]

## Part Notes:

- [1] - OPTIONAL - SEE TSB IT 2010-058
- [2] - NOT SHOWN
- [3] - NOT SHOWN - OPTIONAL
- [4] - 2020 ACCESSORY PRUNING  
NOT SHOWN - OPTIONAL

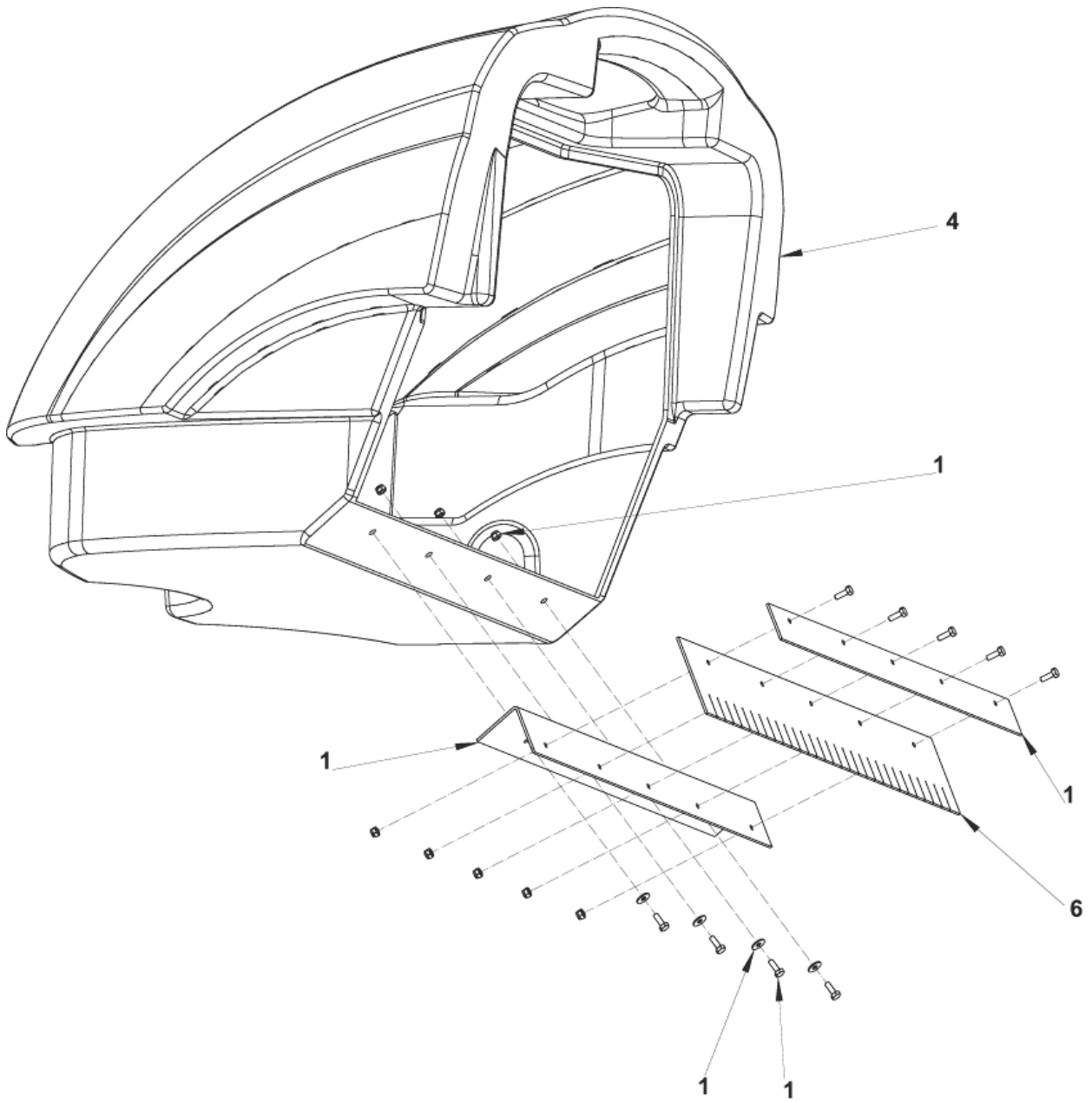


Pos.	Artikelnummer	Hoeveelheid	Omschrijving	Notes
1	1463864000	1	HARDWARE SIDE BROOM KIT	
4	1463865000	1	Meenemer zij-borstel SW / Floortec	
13	1465999000	1	REDUCTION GEARMOTOR 40W 12V PKD	
14	146 3029 000	1	SUPPORT SIDE BROOM	
18	146 3035 000	1	Zijborstel 109 x 315 PPL 0,5	
18	146 3036 000	1	Zijborstel 109 x 315 tapijt nylon	[1]

## Part Notes:

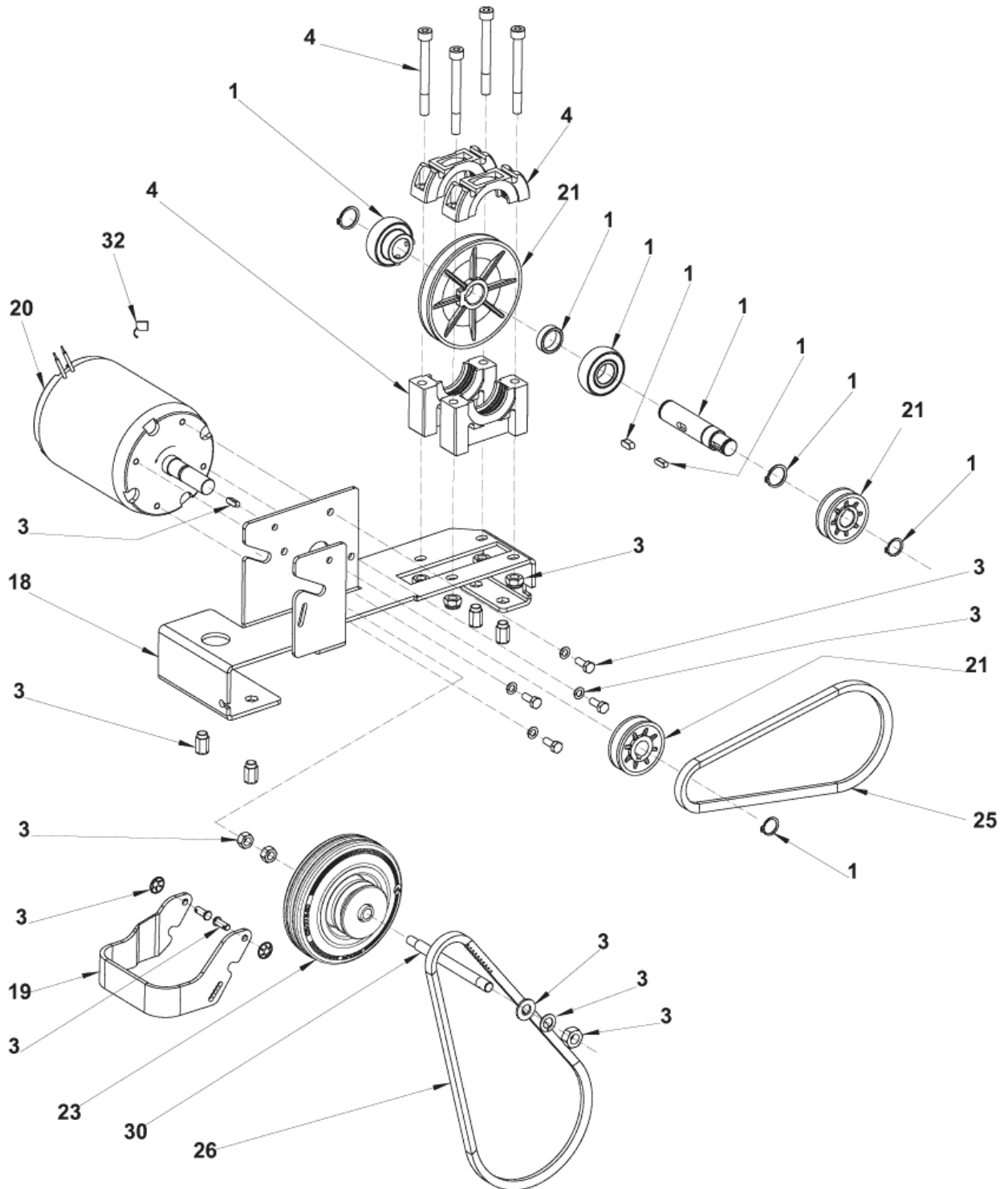
[1] - ACCESSORY





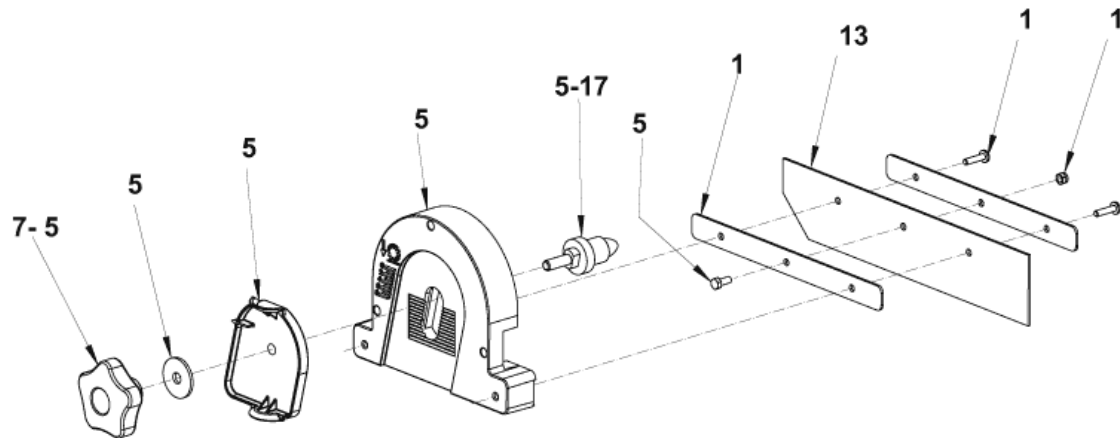
---

Pos.	Artikelnummer	Hoeveelheid	Omschrijving	Notes
1	146 3124 000	1	Strippen bevestigingsset	
4	1467768000	1	CONTAINER WASTE ROTOMOLDED GREY SIP	
6	1463166000	1	Skirts kit	

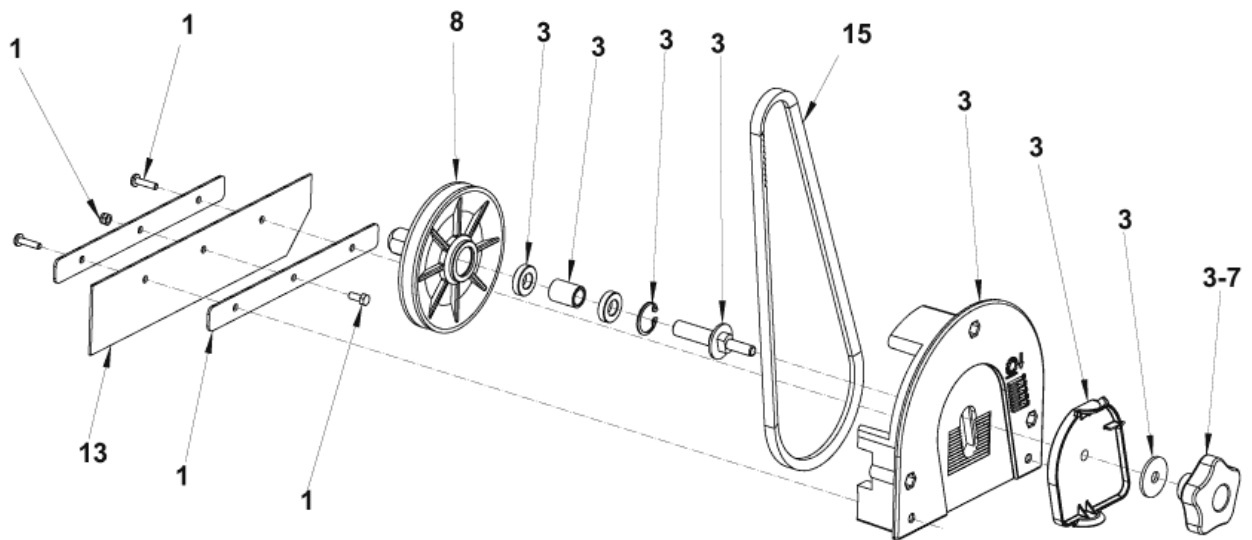


Pos.	Artikelnummer	Hoeveelheid	Omschrijving	Notes
1	1463867000	1	SHAFT PULLEYS KIT	
3	1463868000	1	HARDWARE TRANSMISSION SYST KIT	
4	1463866000	1	BEARING SUPPORTS KIT	
18	146 3000 000	1	PLATE MOTOR SUPPORT	
19	146 3002 000	1	BRACKET CLUTCH WHEEL	
20	1465998000	1	MOTOR ELECTRIC 200W 12V SIP	
21	1463869000	1	PULLEYS KIT	
23	1467647000	1	WHEEL DRIVE CLUTCH KIT	
25	1463305000	1	Riem	
26	1464045000	1	Belt Kit	
30	146 3013 000	1	SHAFT DRIVE CLUTCH WHEEL	
32	909 6893 000	1	Koolborstelkit 4 stuks	

**ASSIEME PORTELLO SINISTRO - LEFT HATCH ASSEMBLY**



**ASSIEME PORTELLO DESTRO - RIGHT HATCH ASSEMBLY**

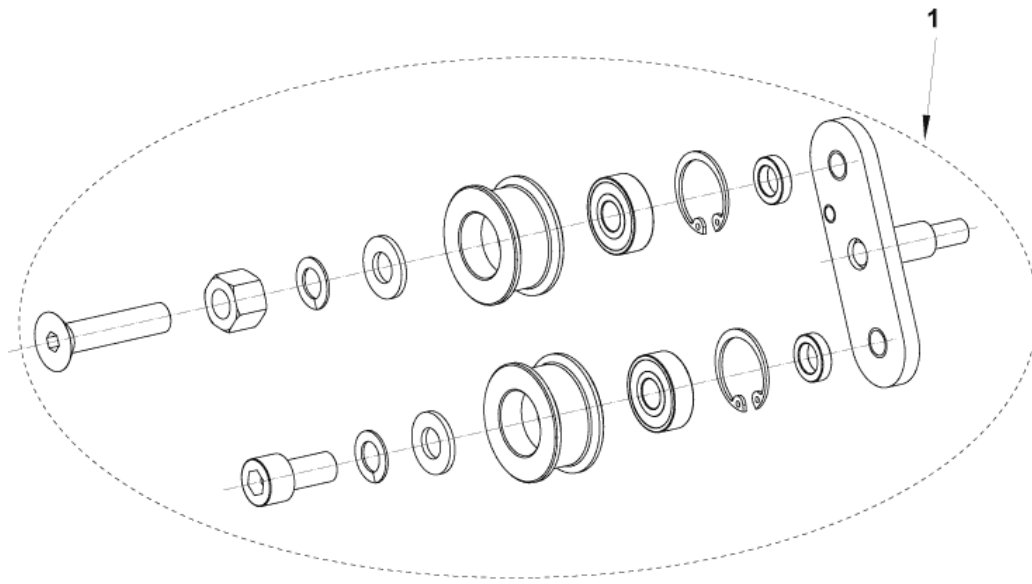


---

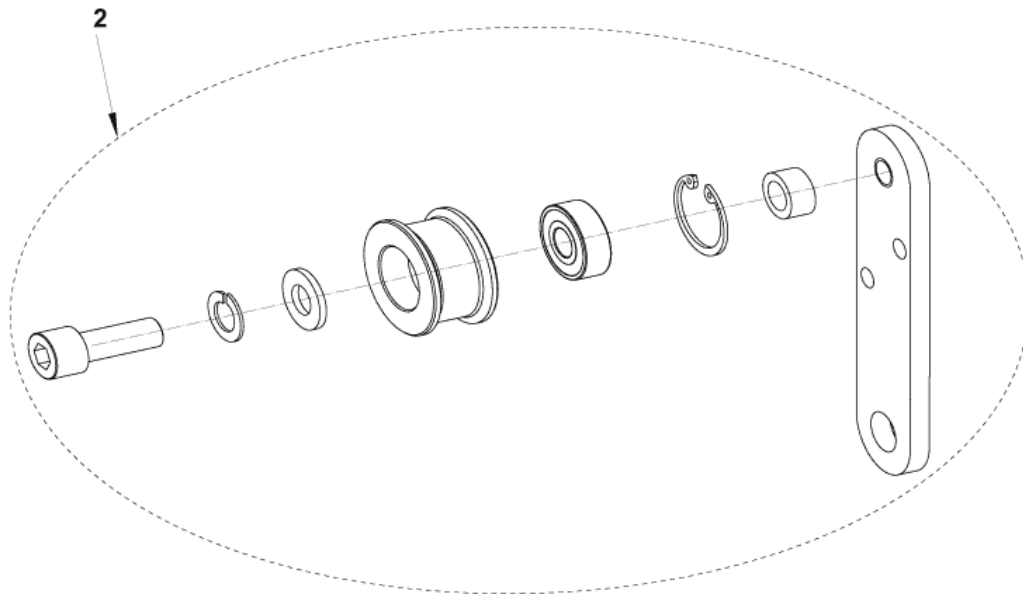
Pos.	Artikelnummer	Hoeveelheid	Omschrijving	Notes
1	146 3124 000	1	Strippen bevestigingsset	
3	1463870000	1	HATCH RIGHT FIXING KIT	
5	1463871000	1	Schanier links bevestigin	
7	146 1852 000	2	Knop M8	
8	146 3014 000	1	Poelie D 112	
13	1463166000	1	Skirts kit	
15	146 3027 000	1	Aandrijfriem borstel	
17	146 3020 000	1	pin main broom	

---

**GRUPPO TENDICINGHIA DOPPIO - DOUBLE BELT TENSIONER ASSEMBLY**



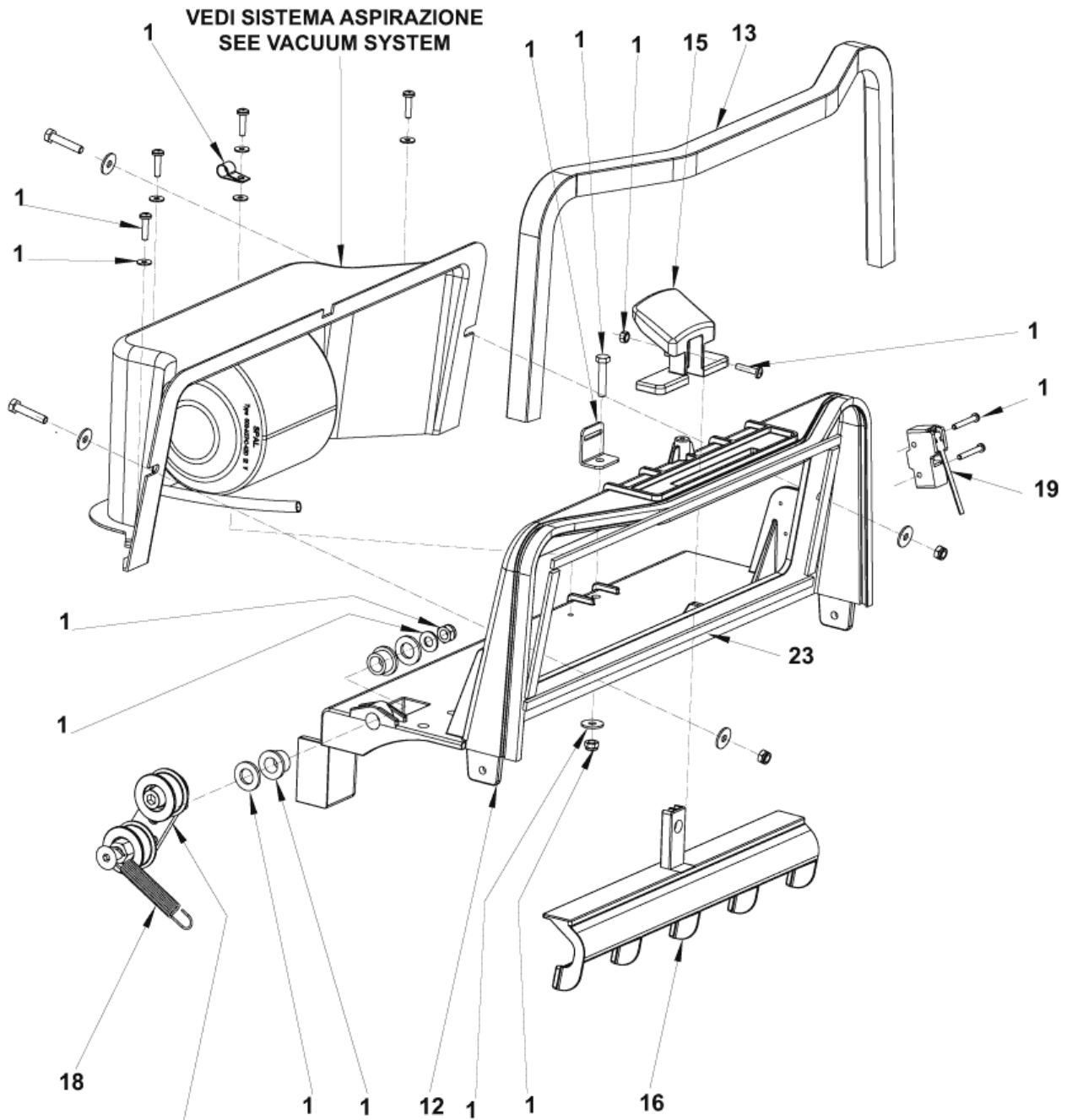
**GRUPPO TENDICINGHIA - BELT TENSIONER ASSEMBLY**



---

Pos.	Artikelnummer	Hoeveelheid	Omschrijving	Notes
1	1463872000	1	Dubbele riemschijf kit	
2	1463873000	1	BELT TENSIONER KIT	



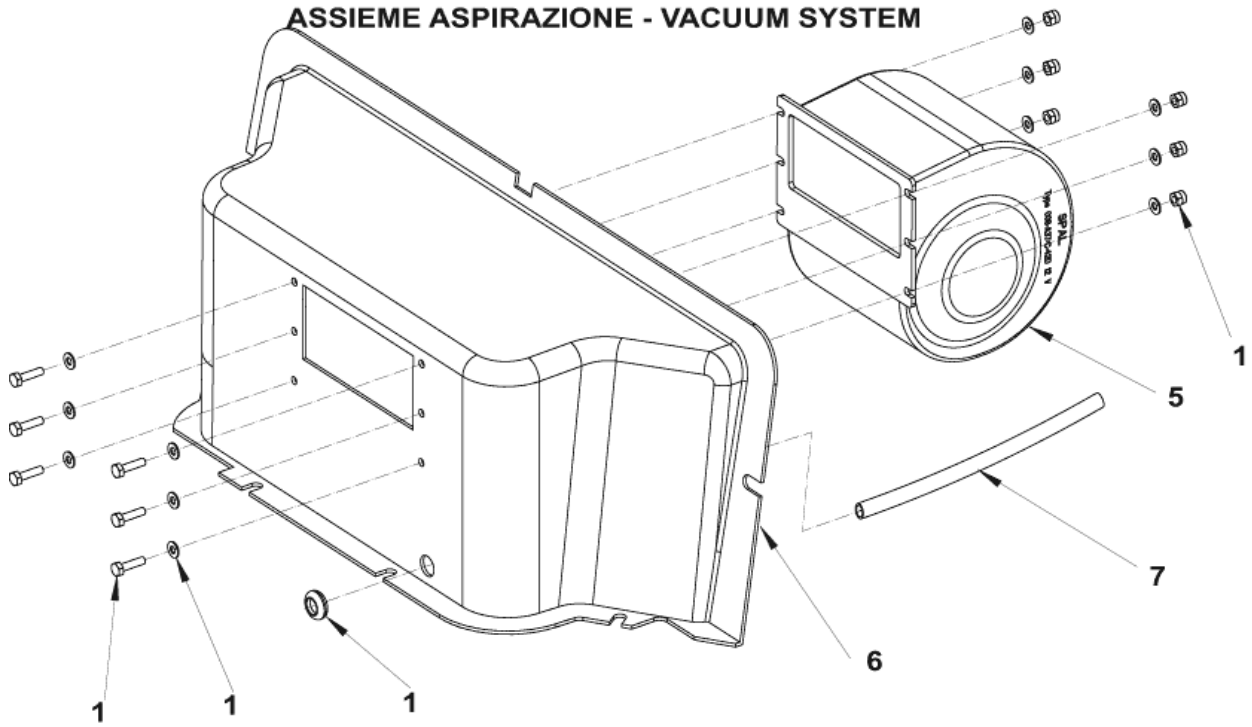


---

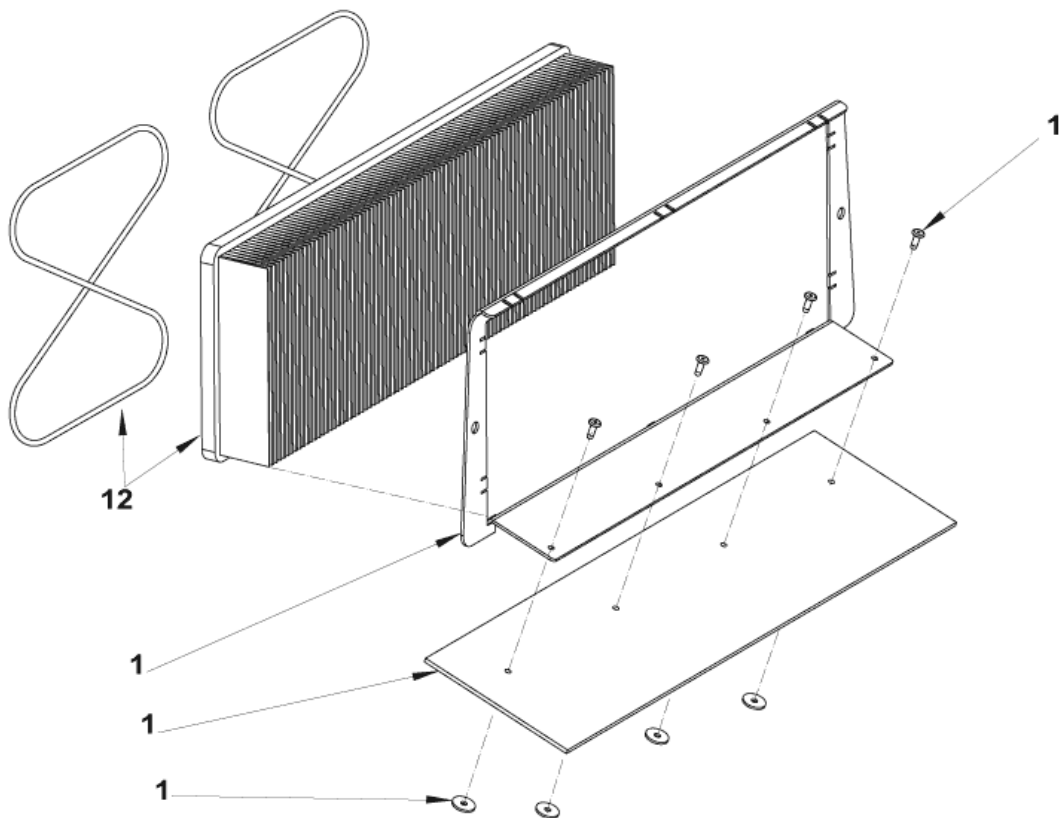
Pos.	Artikelnummer	Hoeveelheid	Omschrijving	Notes
1	1463874000	1	Hardware dust control sys	
12	146 2988 000	1	SUPPORT FILTER	
13	1463747000	1	Dichting Geëxtrudeerd	
15	146 2992 000	1	Hendel filter schudder	
16	146 2993 000	1	Filterschudder	
18	145 0274 000	1	Veer SW 850	
19	1466506000	1	Microswitch 10A 250V PKD	
23	1463176000	2	Pakking dichting filter	

---

**ASSIEME ASPIRAZIONE - VACUUM SYSTEM**

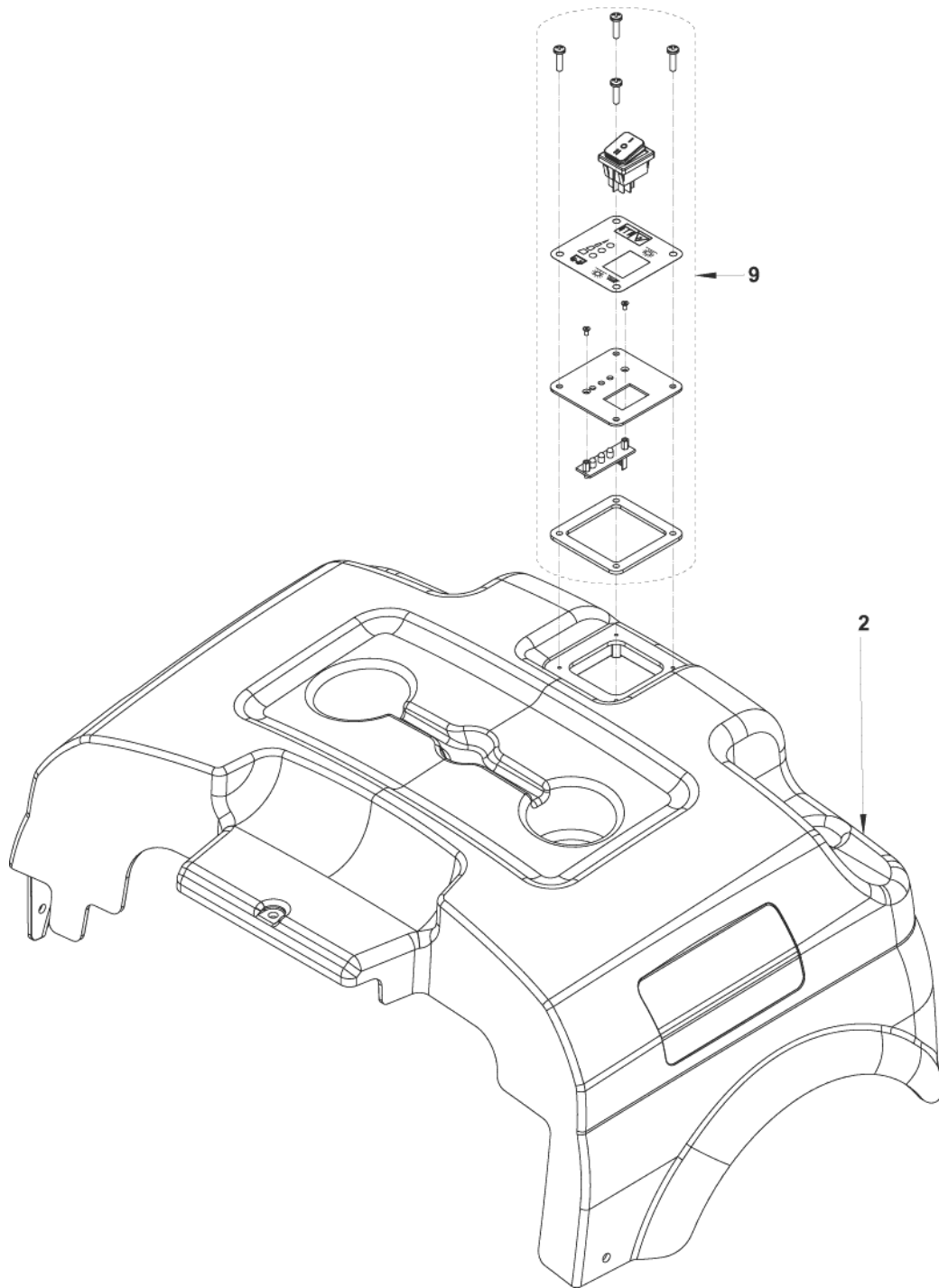


**GRUPPO FILTRO - FILTER ASSEMBLY**



---

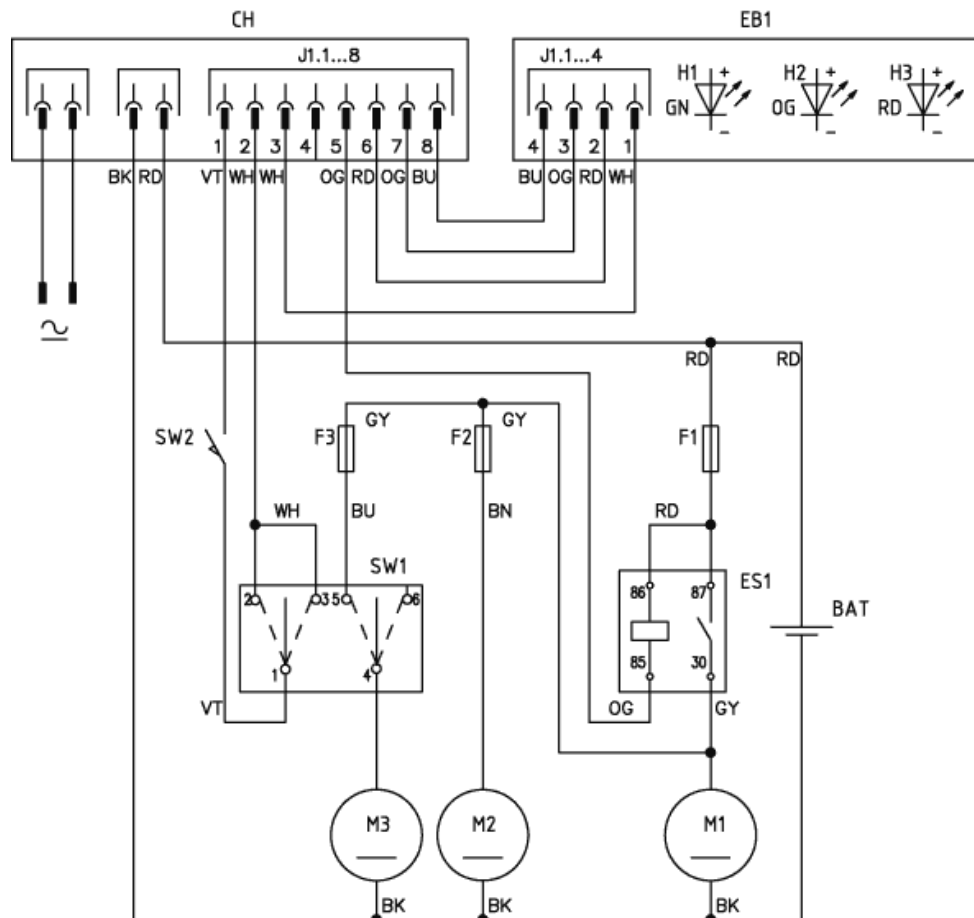
Pos.	Artikelnummer	Hoeveelheid	Omschrijving	Notes
1	1463875000	1	Hardware Filter fixing kit	
5	146 1804 000	1	Ventilator-zuigmotor SW750	
6	146 3055 000	1	Conveyor	
7	146 3125 000	1	SHEATH D.6XD.7 L 200	
12	1463161000	1	Filterkit polyester	



---

Pos.	Artikelnummer	Hoeveelheid	Omschrijving	Notes
2	1466779000	1	COVER REAR GREY SIP	
9	146 3123 000	1	Panel control w decal kit	

WIRING DIAGRAM  
SW 750  
146 3089 000 - Rev.B



COMPONENTI	COMPONENTS	
BAT	Batteria 12V	12V Battery
CH1	Caricabatterie-controllo funzioni	Batt. charger / Function controller
EB1	Scheda LED	LED board
ES1	Relé	Relais
F1	Fusibile principale	Main circuit breaker
F2	Fusibile ventola	Fan fuse
F3	Fusibile spazzola laterale	Side brush circuit breaker
H1	Led batteria piena carica	Full charge led
H2	Led batteria mezza carica	Half charge led
H3	Led batteria scarica	Empty charge led
M1	Motore principale	Main motor
M2	Ventola aspirazione	Fan
M3	Motore spazzola laterale	Side brush motor
SW1	Interruttore	Switch
SW2	Microinterruttore cofano	Hopper microswitch

---

Pos.	Artikelnummer	Hoeveelheid	Omschrijving	Notes
------	---------------	-------------	--------------	-------





Pos.	Artikelnummer	Hoeveelheid	Omschrijving	Notes
00	1463161000	1	Filterkit polyester	[1]
00	1463305000	1	Riem	[1]
00	146 3051 000	1	Lader 12V - 6 Ah	[2]
00	1466506000	1	Microswitch 10A 250V PKD	[2]
00	1463166000	1	Skirts kit	[3]
00	146 3113 000	1	Relais 12V 70Ah Tyco	[2]
00	146 1804 000	1	Ventilator-zuigmotor SW750	[2]
00	146 3123 000	1	Panel control w decal kit	[2]
00	1463201000	1	BATTERY CLAMPS PLUS-MINUS KIT	[4]
00	1463174000	1	Hoofdborstel 200x500 PPL Ø 0,7	[3]
00	146 3035 000	1	Zijborstel 109 x 315 PPL 0,5	[3]
00	146 3016 000	1	Hoofdborstel 180 x 500 tapijt	[5]
00	909 5706 000	1	Zekering 30A	[2]
00	1463171000	1	Tapijtkit	[5]
00	146 3036 000	1	Zijborstel 109 x 315 tapijt nylon	[5]
00	1463860000	1	Kit zwarte wiel	[2]
00	146 3090 000	1	Schakelaar 5A	[2]
00	1464483000	1	Batterij AGM monobloc 12V - 49A	[2]
00	1463167000	1	Zijrubbers non-markingkit	[5]
00	1465998000	1	MOTOR ELECTRIC 200W 12V SIP	[2]
00	1464045000	1	Belt Kit	[1]
00	146 3027 000	1	Aandrijfriem borstel	[3]
00	1464853000	1	Batterij 12V - 87 Ah gel	[5]
00	1465999000	1	REDUCTION GEARMOTOR 40W 12V PKD	[2]

## Part Notes:

- [1] - ORDINARY MAINTENANCE
- [2] - EXTRAORDINARY MAINTENANCE
- [3] - WEAR PARTS
- [4] - ACCESSORY  
2020 ACCESSORY PRUNING
- [5] - ACCESSORY

