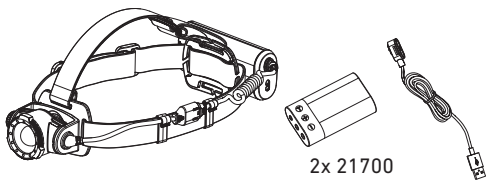
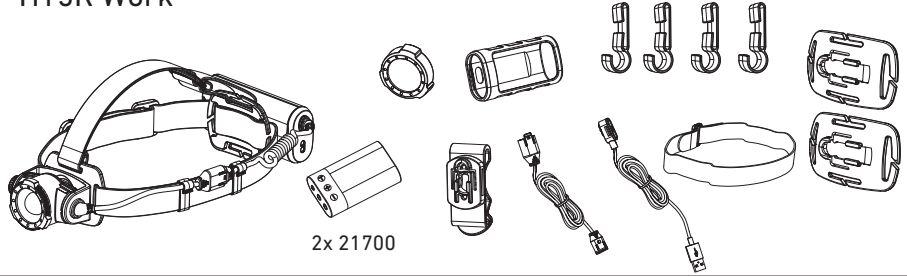


LEDLENSER H15R

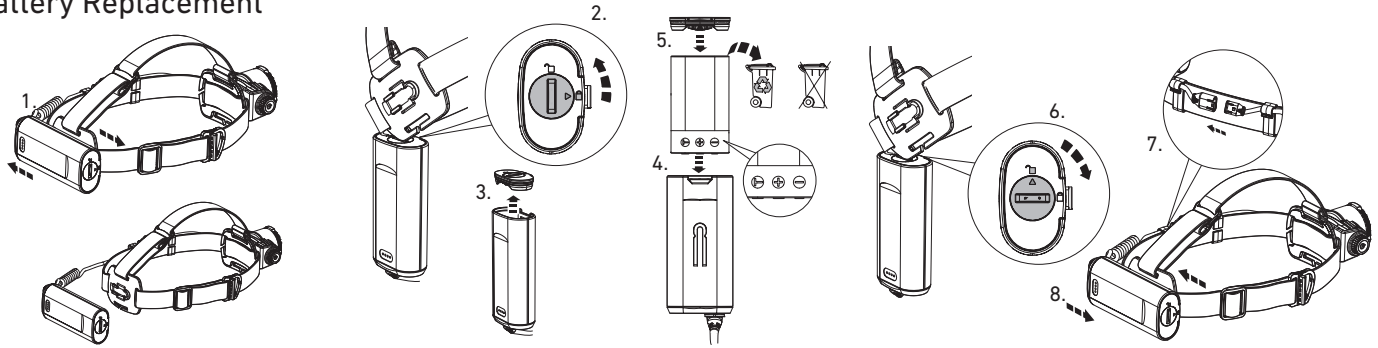
H15R Core



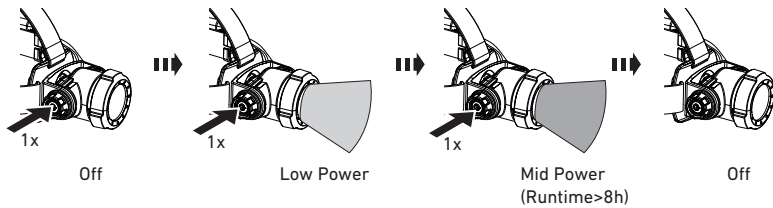
H15R Work



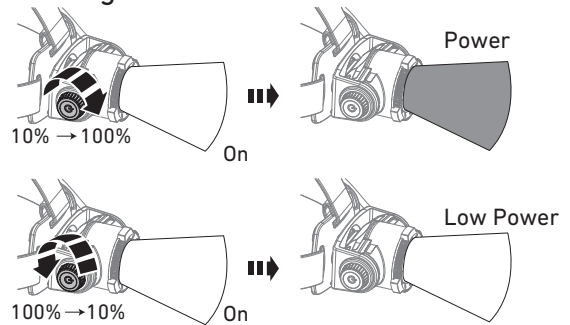
Battery Replacement



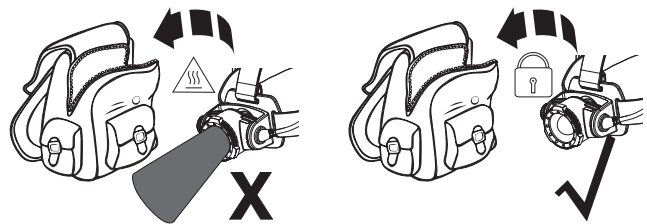
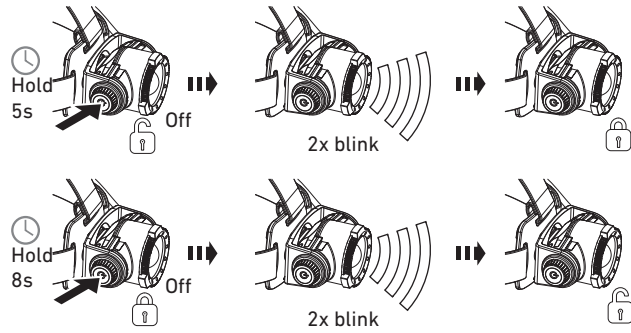
Operation



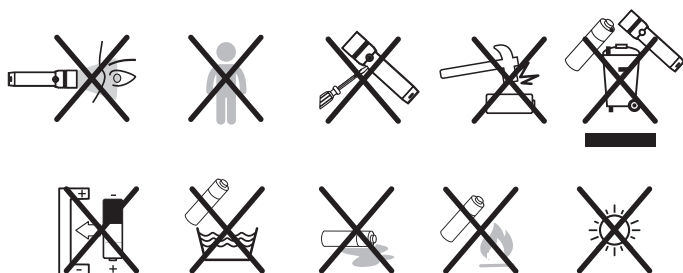
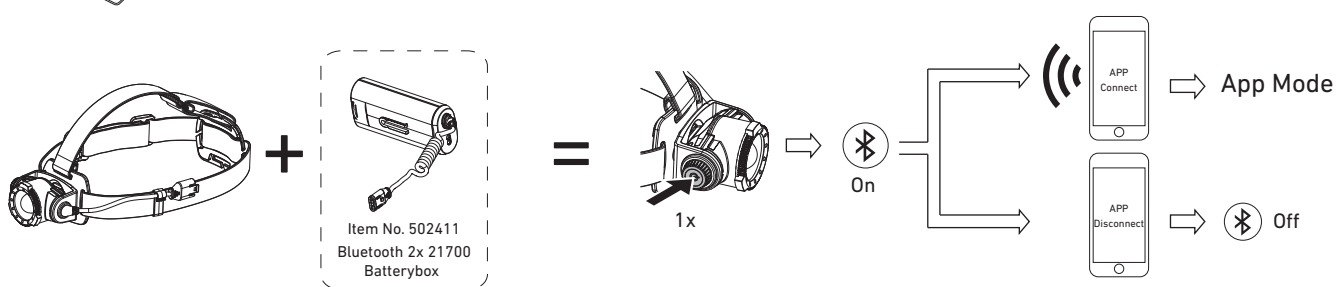
Dimming



Transportation Lock



App Mode



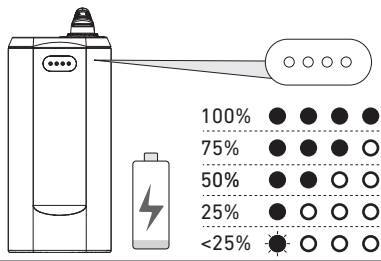
Ledlenser GmbH & Co. KG
Kronenstrasse 5-7 • 42699 Solingen • Germany
Phone +49 212/5948-0 Fax +49 212/5948-200
info@ledlenser.com



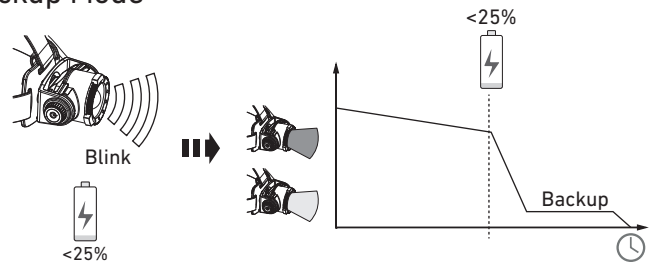
H15R_V02
2021.07.07
1J12A0445

LEDLENSER H15R

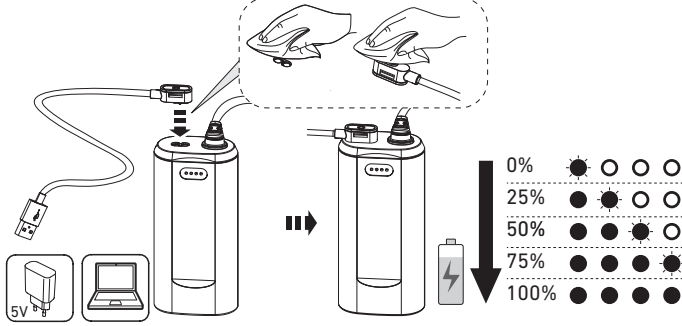
Battery Indicator



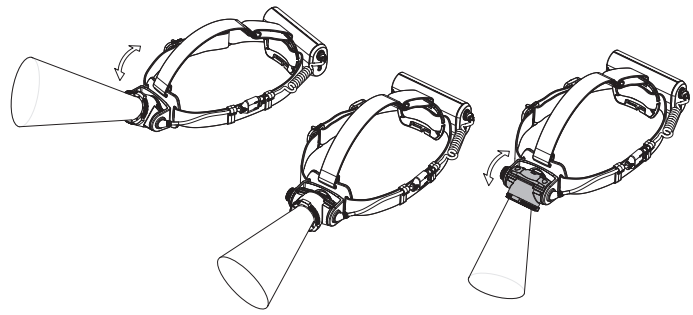
Backup Mode



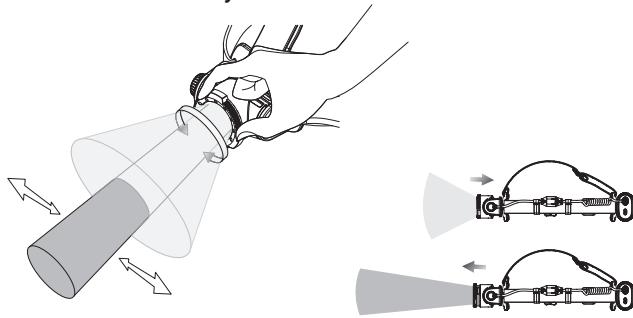
Magnetic Charging System



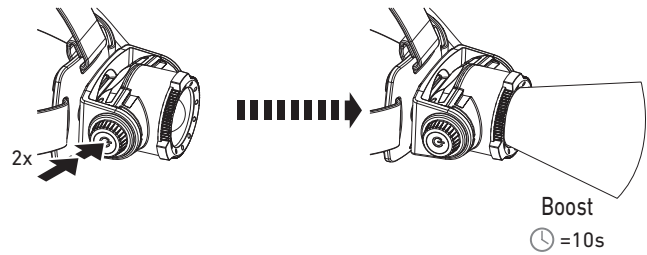
Lamp Head Rotation



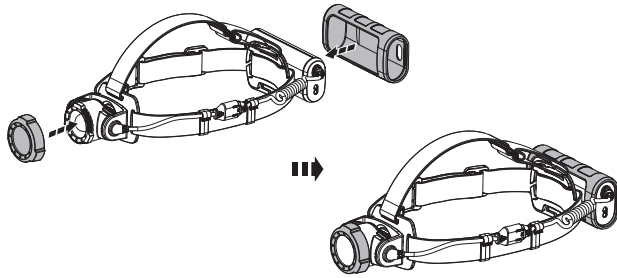
Advanced Focus System



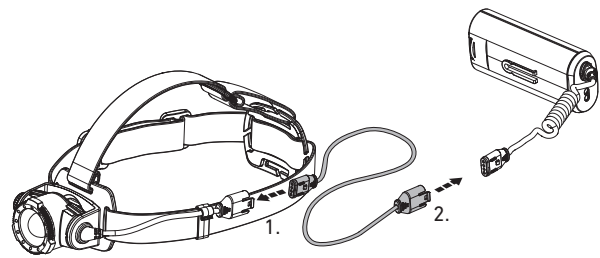
Boost



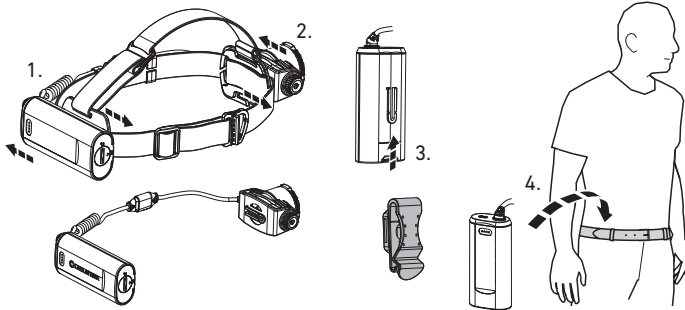
Protective Covers (H15R Work)



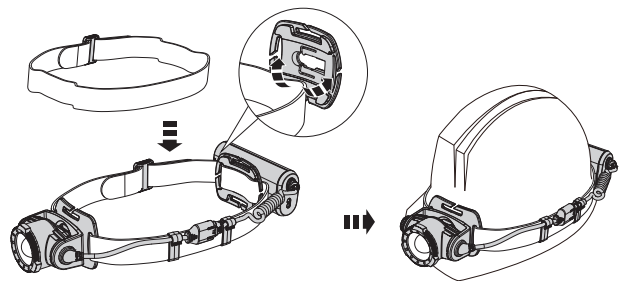
Extension Cable (H15R Work)



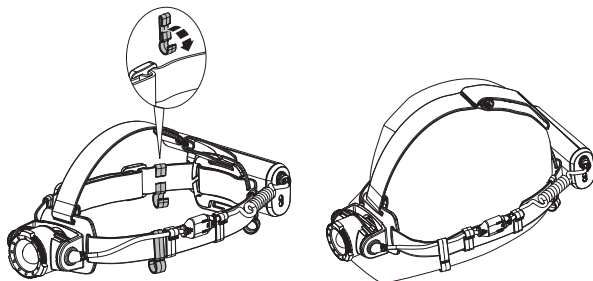
Belt Clip (H15R Work)



Transparent Silicone Helmet Band (H15R Work)



Helmet Fixing Clips (H15R Work)



Further Information

