

TECHNICAL DATASHEET

4tecx deurdranger TS 2073



| Art.nr. | Product size (body) | Minimal order unit | EAN-Code |
|------------|---------------------|--------------------|---------------|
| 4051000106 | 243 x 56 x 41 mm | 1 piece(s) | 8715883019125 |

| Product characteristics | | |
|---|----------------------------|--------------------------|
| Closing force <small>(stepwise adjustable)</small> | Size acc. To EN | 2/3/5 |
| Door width | Acc. To EN ≤ 1.250 mm | ■ |
| Dimensions <small>(incl. mounting plate)</small> | Length in mm | 243 |
| | Depth in mm | 41 |
| | Height in mm | 56 |
| Mounting plate acc. To EN 1154 A (supplementary sheet 1) | | <input type="checkbox"/> |
| Hinge side and hinge-opposite side | | ■ |
| DIN left / Right | | ■ |
| Back-check <small>(constant)</small> | | ■ |
| Latching speed <small>(Continuously adjustable)</small> | | ■ |
| Closing speed <small>(Continuously adjustable)</small> | | ■ |
| Delayed action <small>(Continuously adjustable)</small> | | ■ |
| Tested acc. To EN | | EN 1154 A |
| Suitable for fire- and smoke control doors | | F |
| Certified according to EU-Directive | | CE |

Product information:

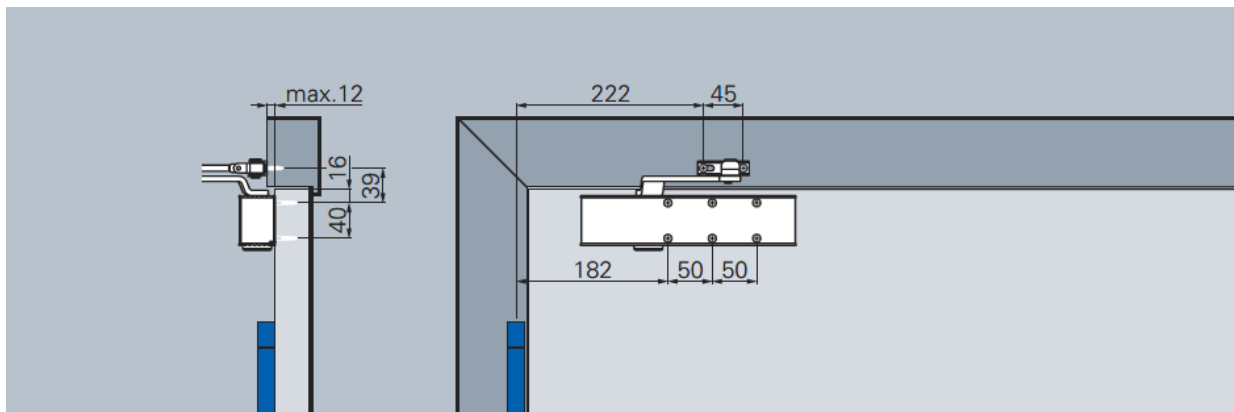
Closing force 2 / 3 / 5, tested acc. to **EN 1154 A** (for door widths up to 1.250 mm) adjustable by moving the door closer. Latching speed and closing speed continuously adjustable. Back-check constant. Same version DIN left and DIN right. Mounting height only 41 mm. Weight: 1.320g. Max. door opening angle: 180°

Pull side: standard mounting on door leaf. Push side: head mounting on door frame.

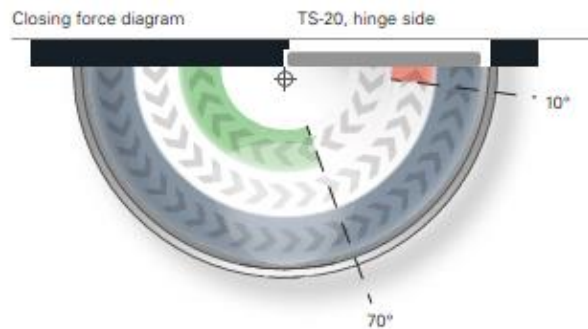
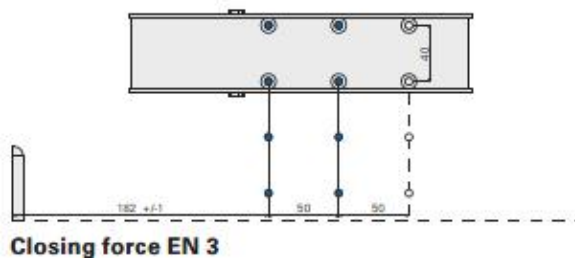
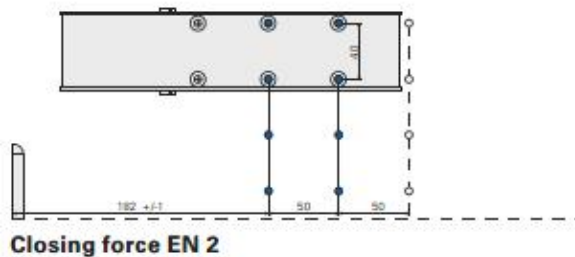
The different sizes are reached by moving the door closer on the door leaf. Additional drilling only necessary for size EN 5.

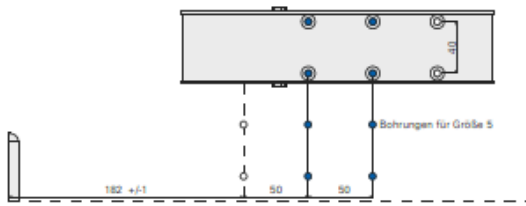
Hinge side

Illustration DIN left door, DIN right door reversed



Standard mounting, hinge side (direct mounting, without mounting plate)





Closing force EN 5

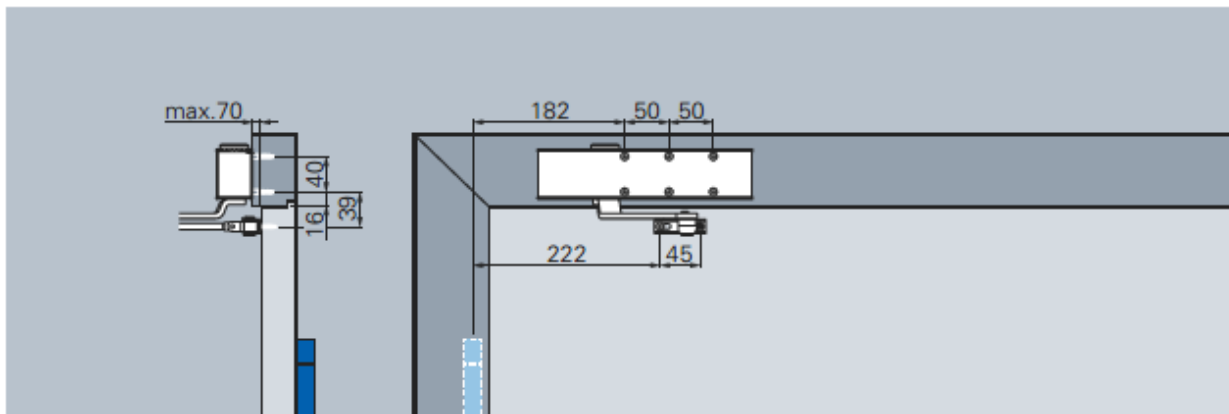
- Closing speed:**
 Continuously adjustable closing speed from approx.. 180° to 0°.
- Latching speed:**
 Increases the closing speed and thus the safe closing of the door, for example to overcome door seals, door locks and high air pressure.
 Continuously adjustable, works between 10 to 0°
- Back-check:**
 Reduces the opening speed starting at 70° and avoids the slamming of the door. Back-check fixed.

Closing force

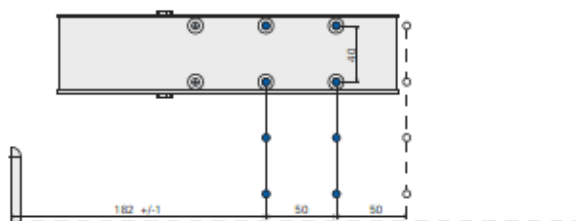
The different sizes are reached by moving the door closer on the door leaf. Additional drilling only necessary for size **EN5**.

Hinge-opposite side

Illustration DIN right door, DIN right laterally reversed

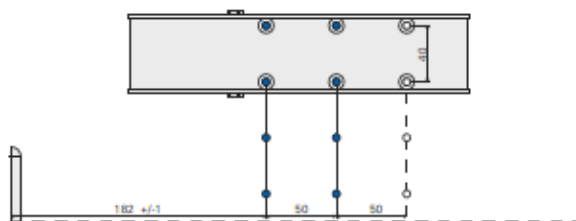


Head mounting, hinge-opposite side (direct mounting, without mounting plate)

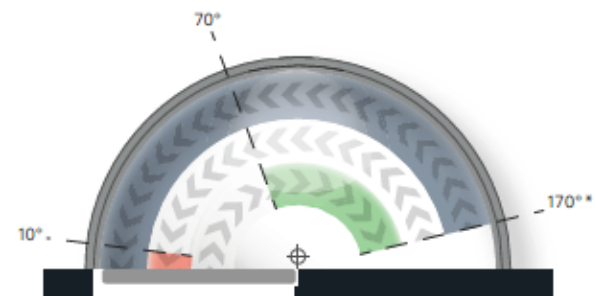


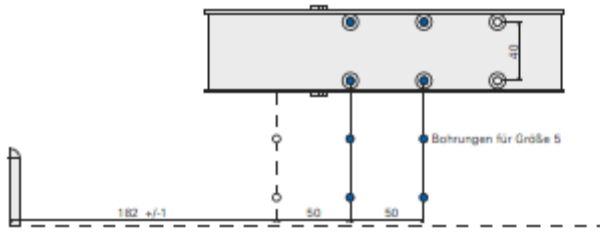
Closing force EN 2

Closing force diagram Newton TS-20, hinge-opposite side



Closing force EN 3





- Closing speed**
continuously adjustable closing speed from approx. 170°* to 0°
- Latching speed**
Increases the closing speed and thus the safe closing of the door, for example to overcome door seals, door locks and high air pressure. Continuously adjustable, works between 10 to 0°
- Back-check**
Reduces the opening speed starting at 70°
And avoids the slamming of the door. Back-check fixed

NOTE:
Back-check out of order for head-mounting / mounting on hinge-opposite side.
* Varies according to door thickness and type of hinge.

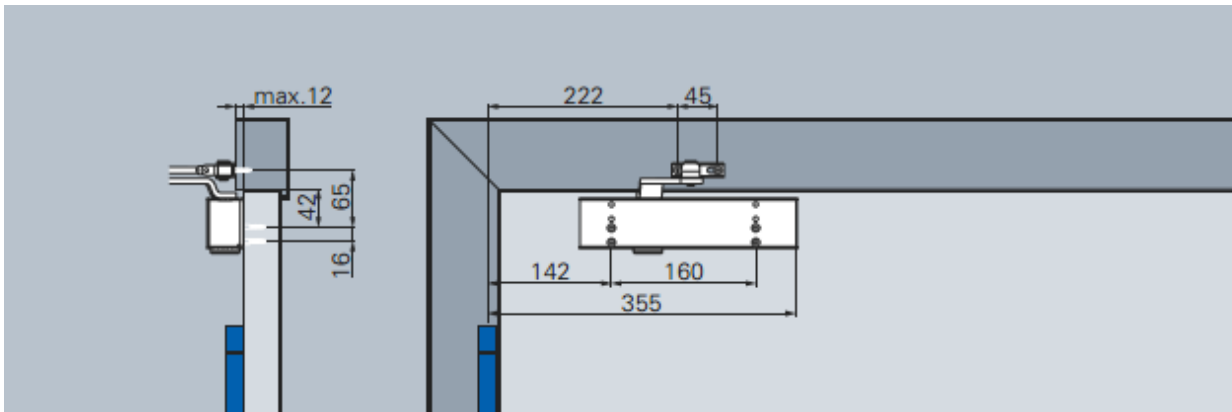
Closing force

The different sizes are reached by moving the door closer on the door leaf. Additional drilling only necessary for size EN5.

A door stopper for opening limit is a must!

Hinge side

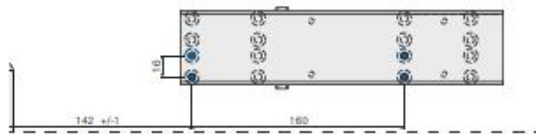
Illustration DIN left door, DIN right laterally reversed



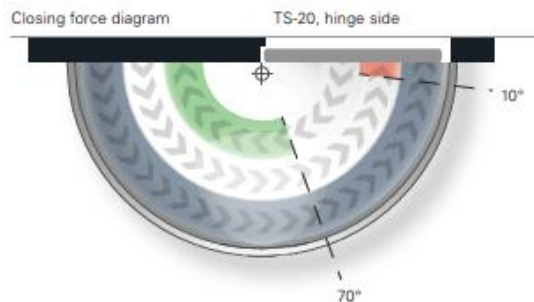
Standard mounting, hinge side (with optional mounting plate, with DIN holes)



Closing force EN 3



Closing force EN 5



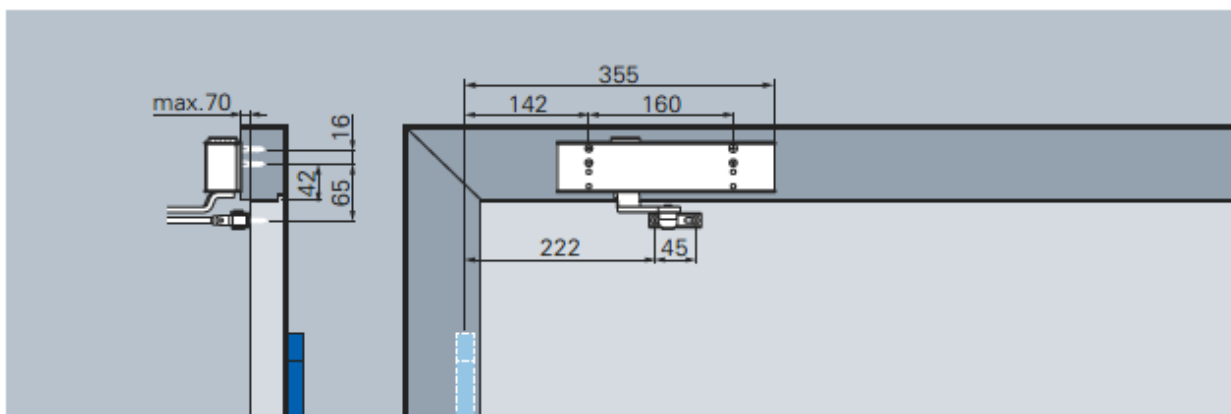
- Closing speed**
 Continuously adjustable closing speed from approx. 180° to 0°
- Latching speed**
 Increases the closing speed and thus the safe closing of the door, for example to overcome door seals, door locks and high air pressure. Continuously adjustable, works between 10 to 0°
- Back-check**
 Reduces the opening speed starting at 70° and avoids the slamming of the door. Back-check fixed.

Closing force

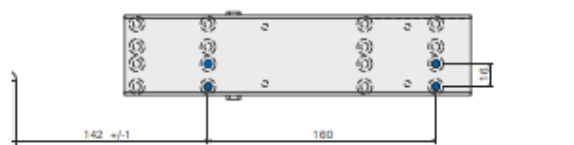
The different sizes are reached by moving the door closer on the door leaf. Additional drilling only necessary for size EN5.

Hinge-opposite side

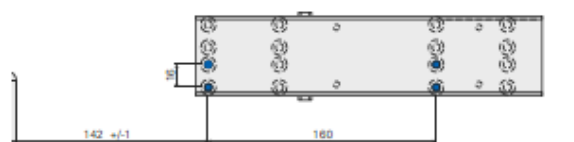
Illustration DIN right door, DIN right laterally reversed



Head mounting, honge-opposite side (with optional mounting plate, with DIN holes)

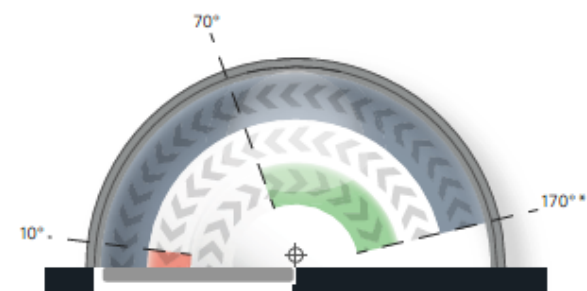


Closing force EN 3



Closing force EN 5

Closing force diagram Newton TS-20, hinge-opposite side





Closing speed

continuously adjustable closing speed from approx. 170°* to 0°



Latching speed

Increases the closing speed and thus the safe closing of the door, for example to overcome door seals, door locks and high air pressure.

Continuously adjustable, works between 10 to 0°



Back-check

Reduces the opening speed starting at 70° and avoids the slamming of the door.

Back-check fixed.

NOTE!:

Back-check out of order for head-mounting / mounting on hinge-opposite side.

* Varies according to door thickness and type of hinge.

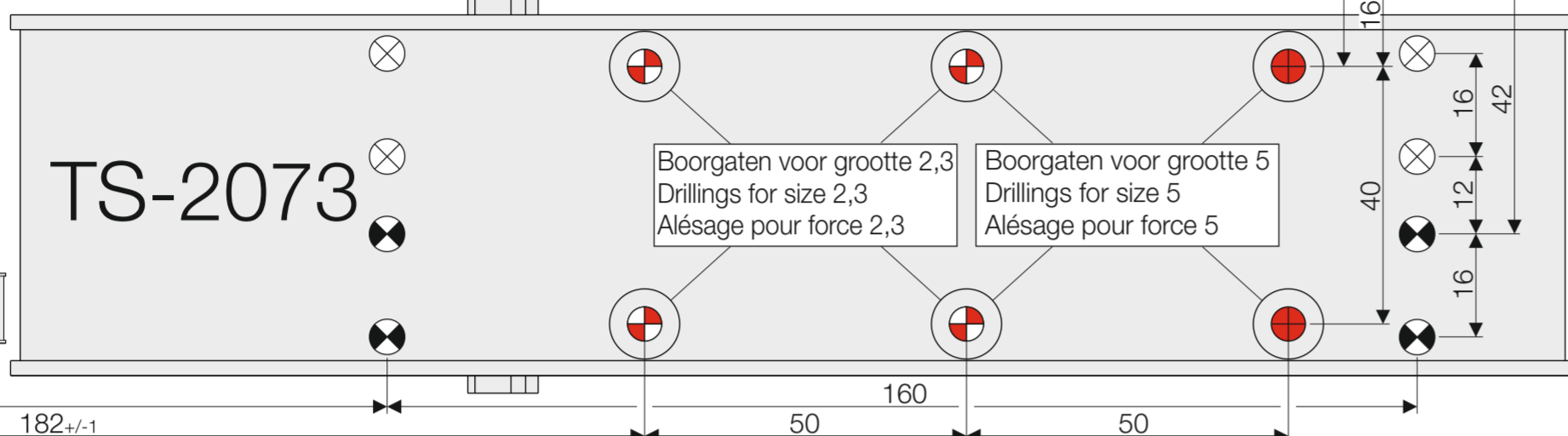
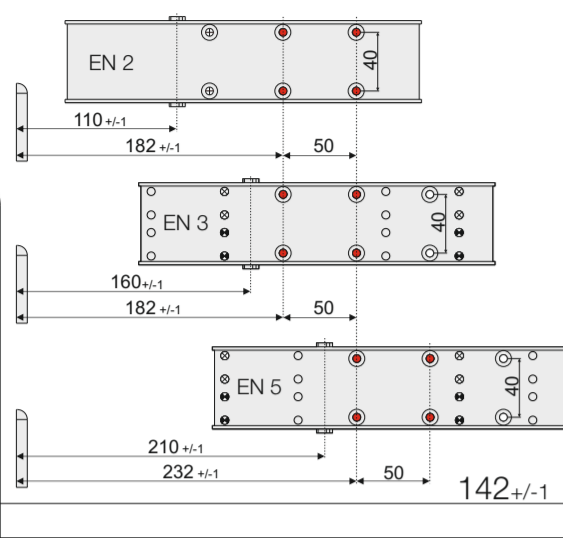
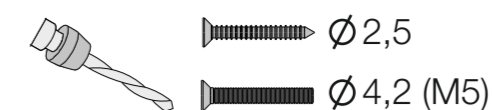
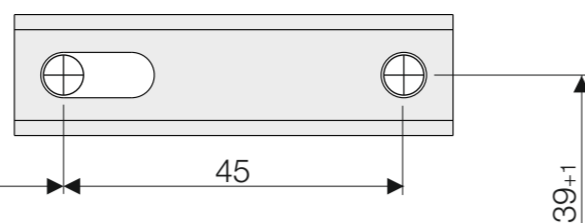
Closing force

The different sizes are reached by moving the door closer on the door leaf. Additional drilling only necessary for size **EN5**.

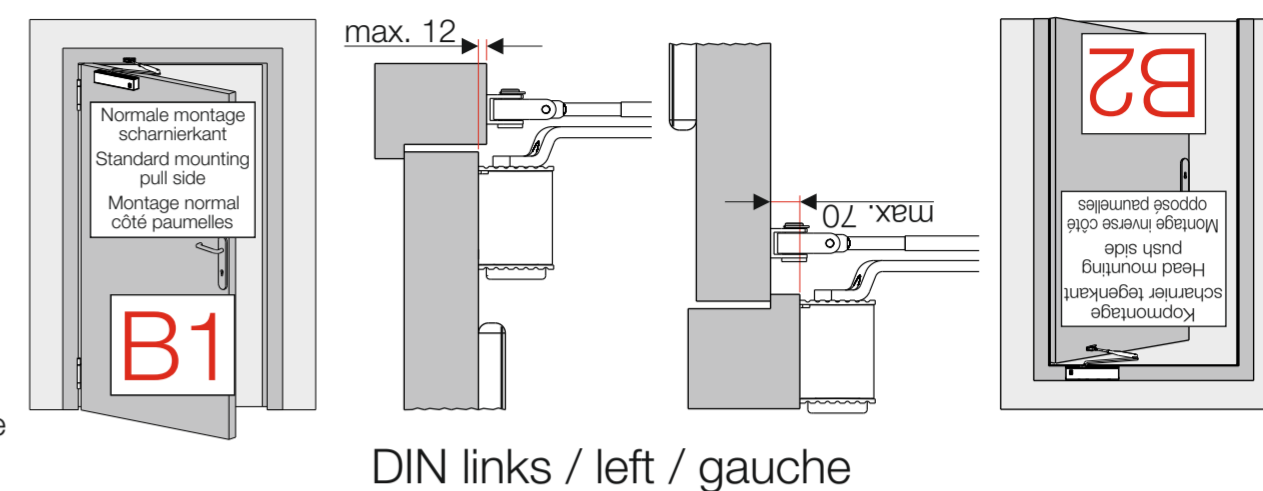
A door stopper for opening limit is a must!

Papiersjablonen kunnen door luchtvochtigheid veranderen. Alleen de aangegeven maten zijn geldig.
 Paper templates might distort due to air moisture. Only the indicated measurements are therefore obligatory.
 Les gabarits en papier peuvent avoir des dimensions modifiées par l'humidité de l'air. Seules les côtes mentionnées doivent être respectées.

222+/-1



- Boorgaten voor grootte 2,3
Drilling for size 2,3
Alésage pour force 2,3
- Alleen voor grootte 5 boorgaten!
Drilling for size 5 only!
Perçer seulement pour force 5!
- Boorgaten voor Montageplaat
Drillings for mounting plate
Alésage pour platine de montage (Gr.: 3,5 / Size: 3,5 / Dim: 3,5)



DIN links / left / gauche

4tecx

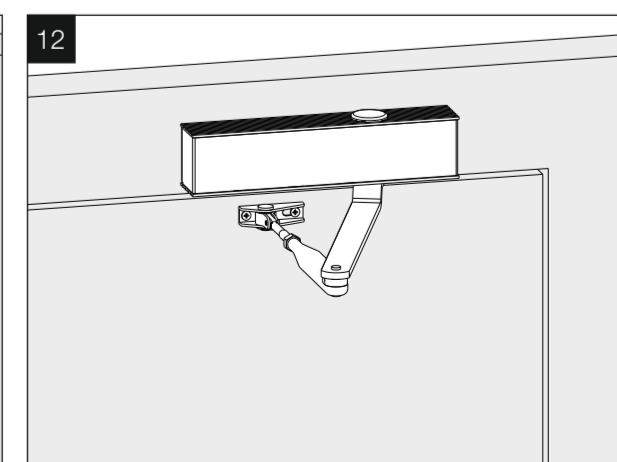
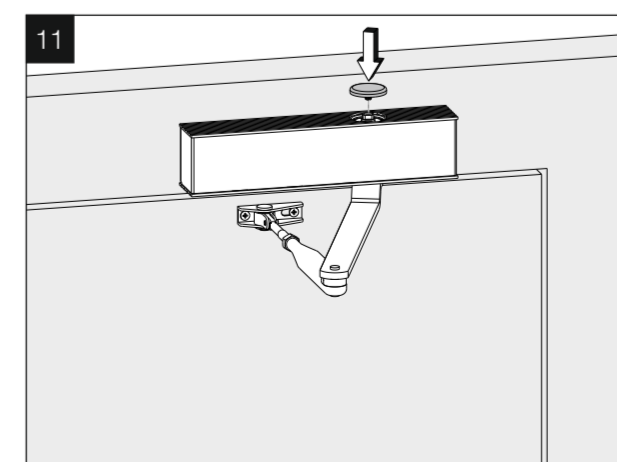
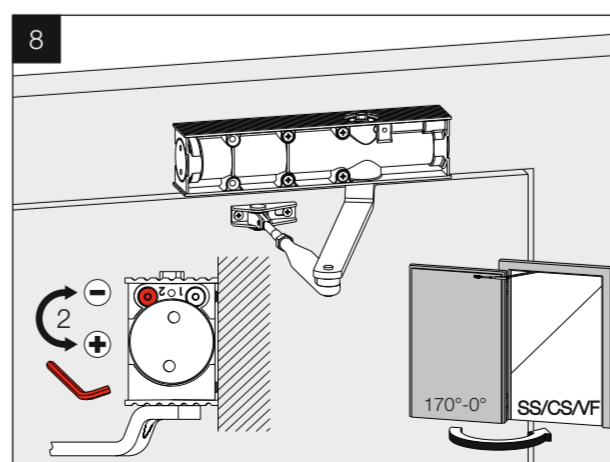
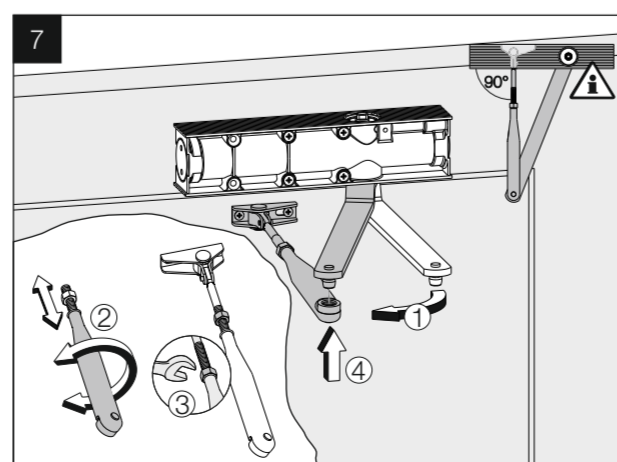
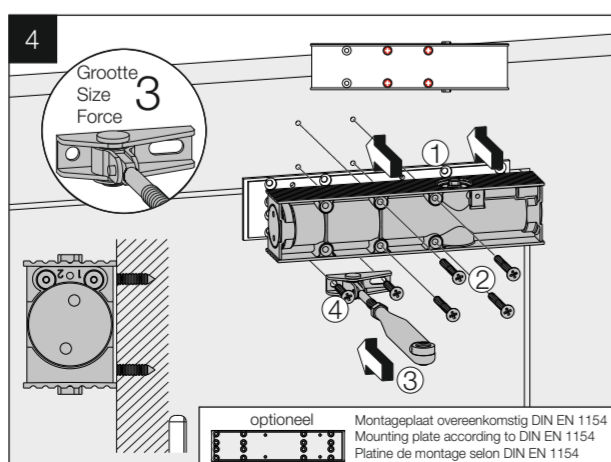
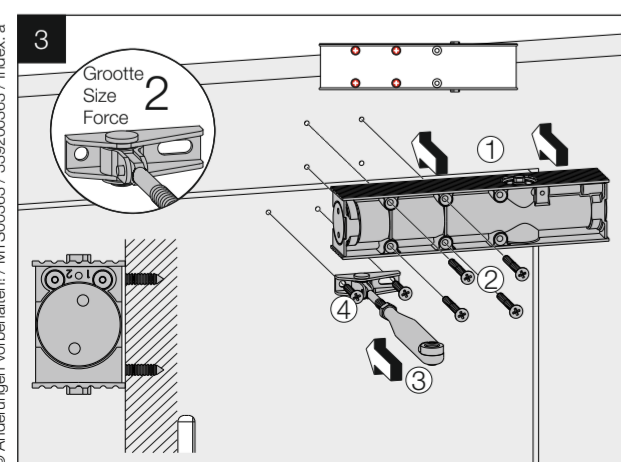
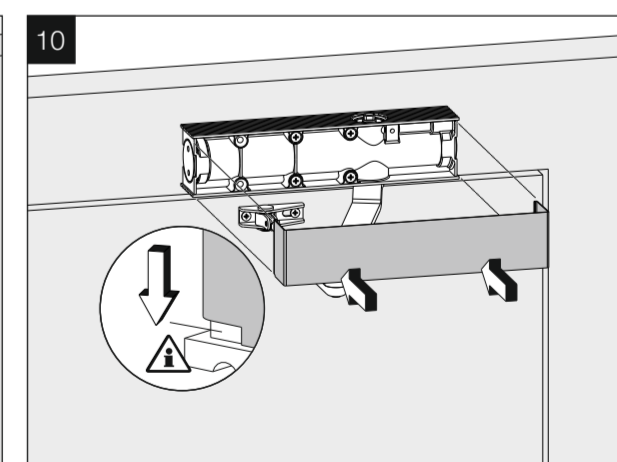
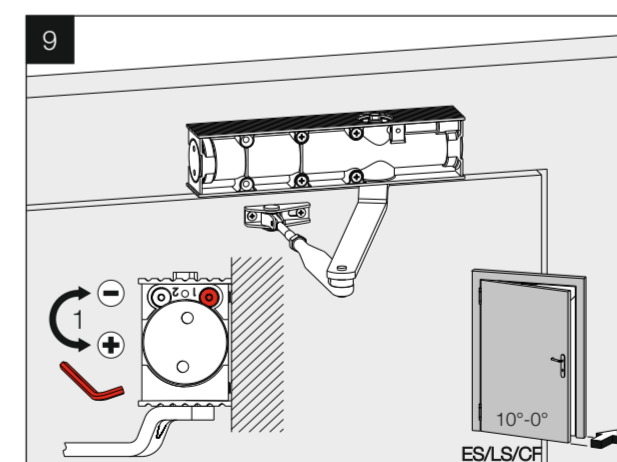
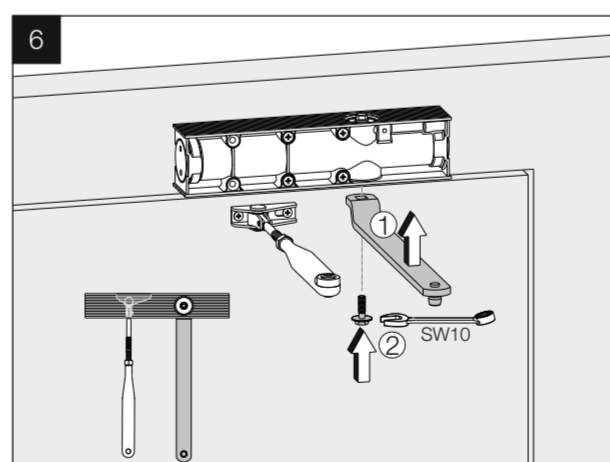
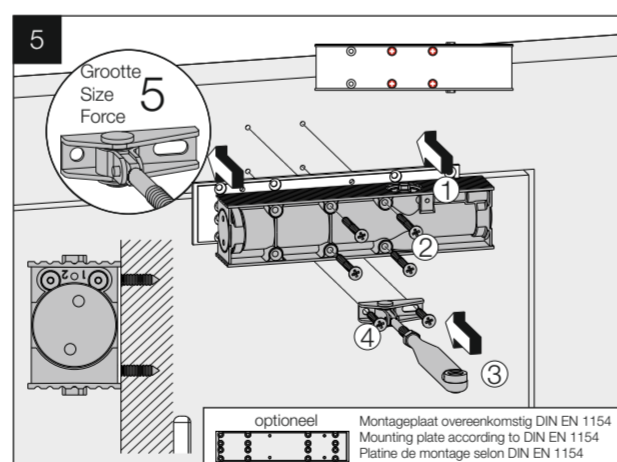
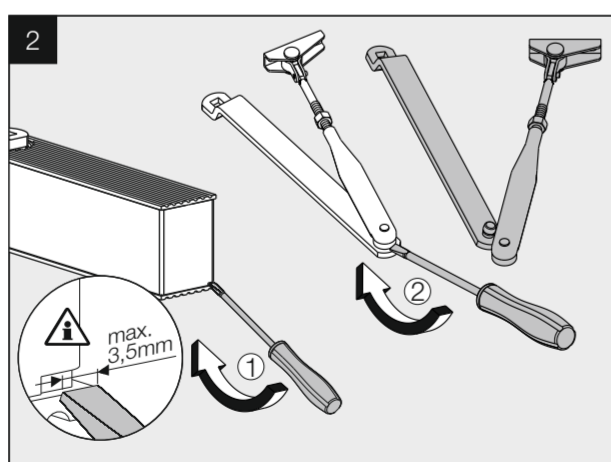
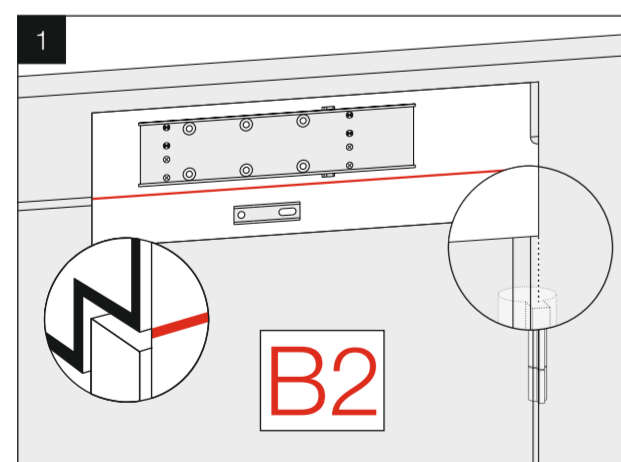
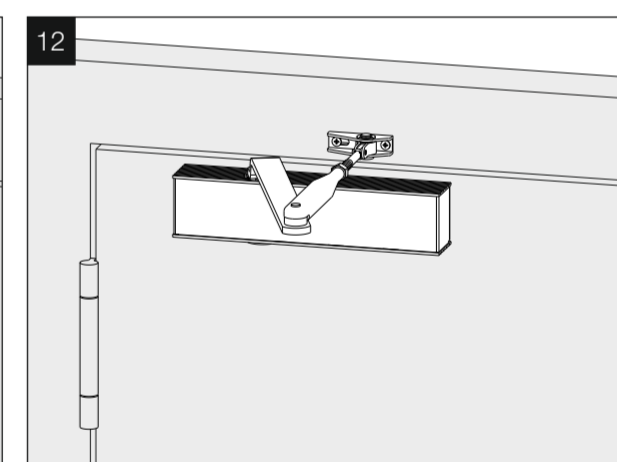
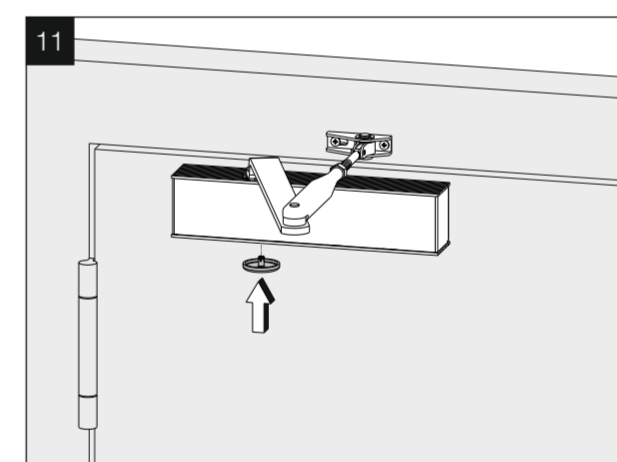
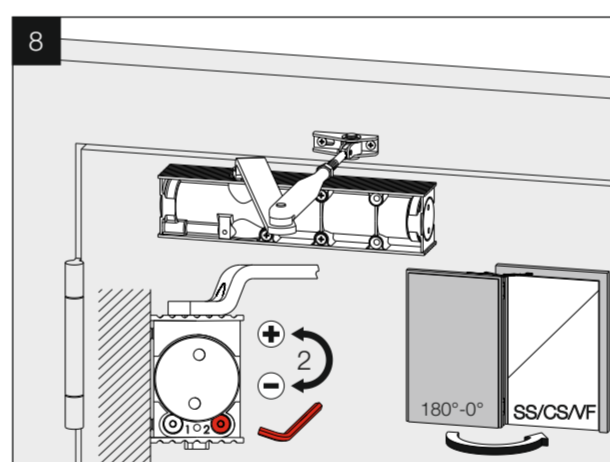
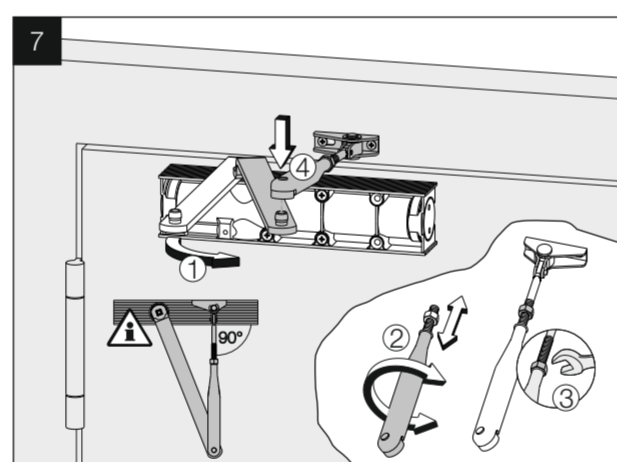
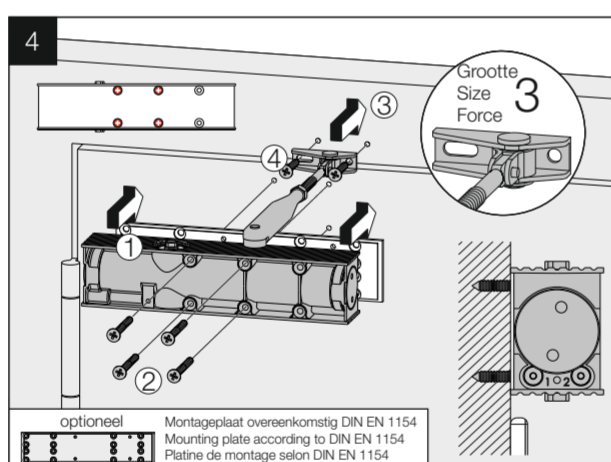
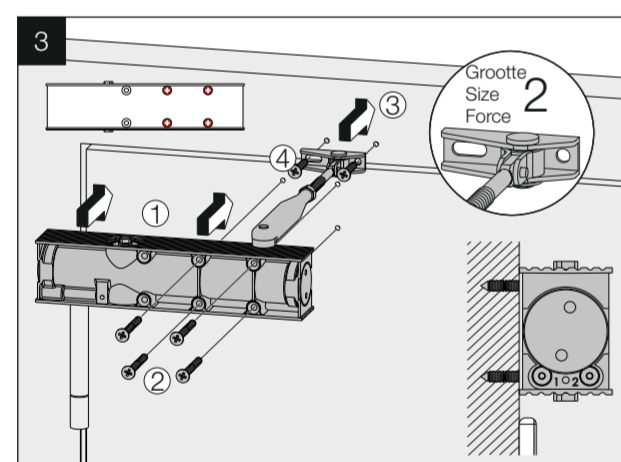
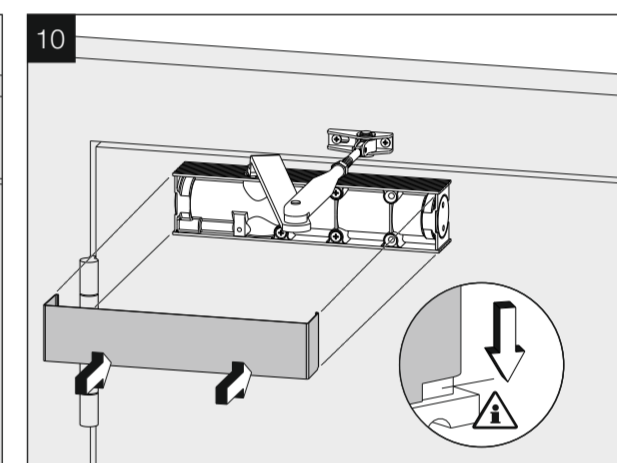
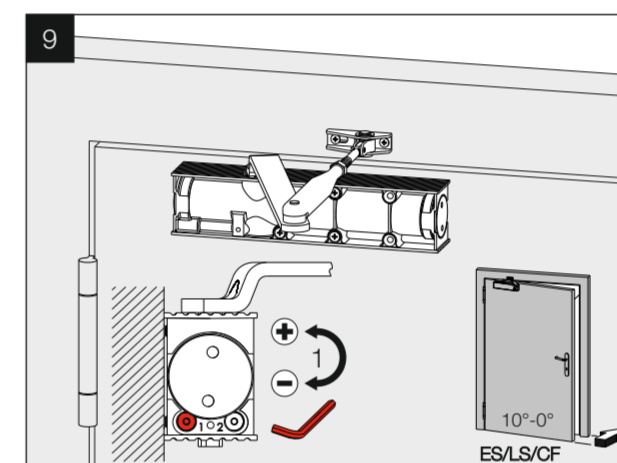
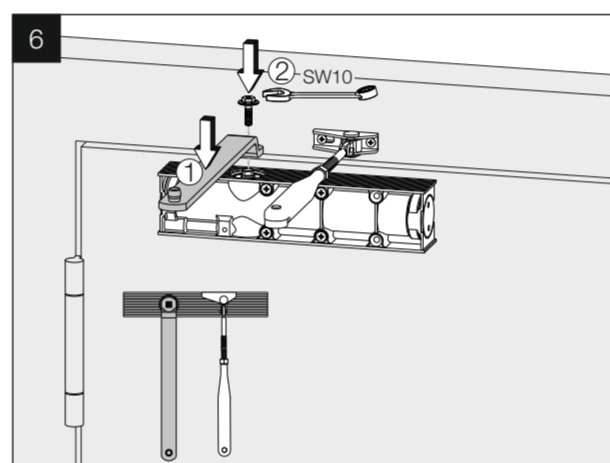
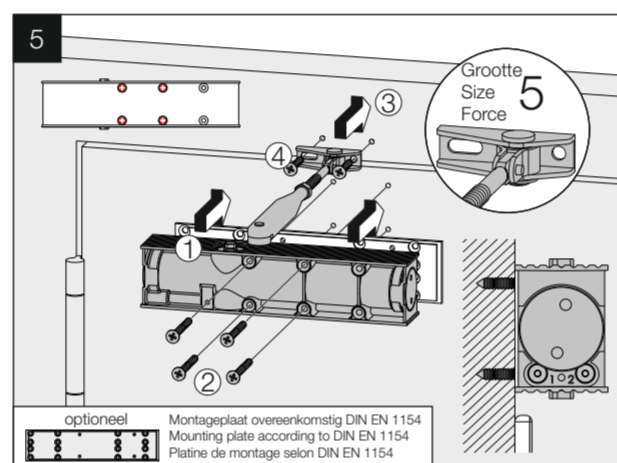
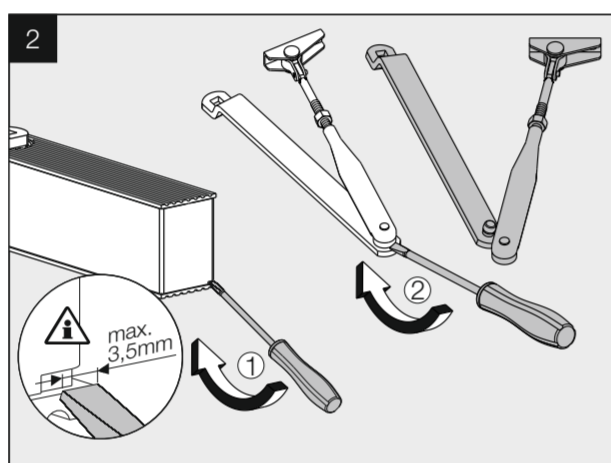
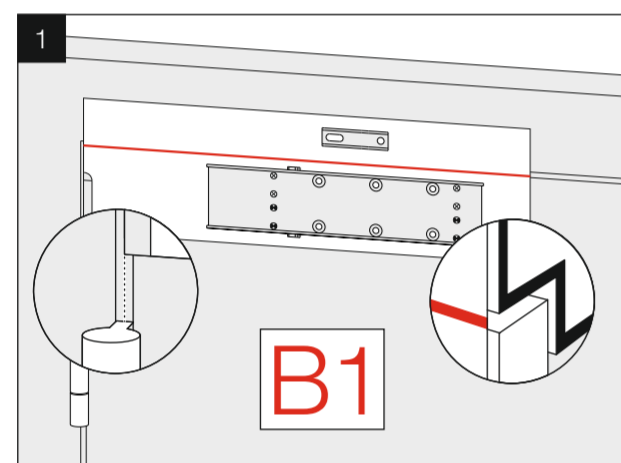
TS-2073 EN 2,3,5

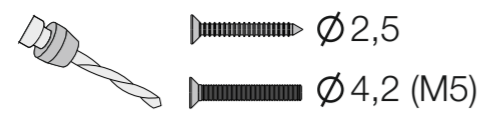
| | | |
|-------------------|--|-----------------|
| CE | ECO Schulte GmbH & Co. KG Isenlohner Landstraße 117 D-58706 Menden | 10 |
| 0432 - CPD - 0029 | EN 1154:1996+A1:2002 | 4 8 2/3/5 1 1 3 |

| | | |
|---------------------|---|--|
| | Deurdranger grootte Door closer size Force de ferme porte | Voor max. deurbreedte For max. door width Pour largeur de porte max. |
| TS-2073 EN 2,3,5 | ■2 | 850 mm |
| | ■3 | 950 mm |
| | ■5 | 1250 mm |

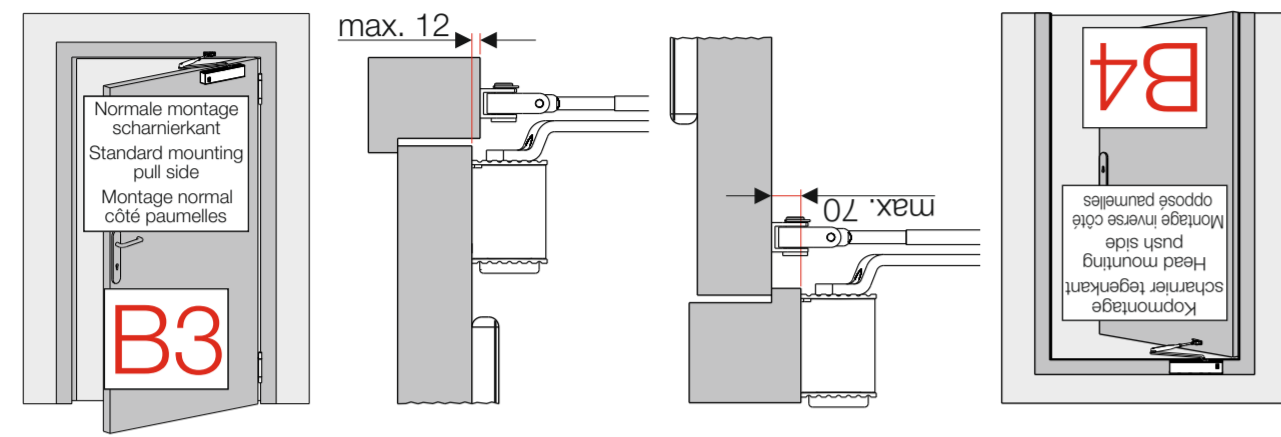
| Afkortingen | Abbreviations | Abbréviations | | | |
|-------------|---------------|---------------|----------------|----|----------------------|
| SS | Sluitsnelheid | CS | Closing speed | VF | Vitesse de fermeture |
| ES | Eindsnel | LS | Latching speed | CF | Coup final |
| SK | Sluitkracht | CF | Closing force | FF | Force de fermeture |

Voor de Montage mogen uitsluitend originele delen van de fabrikant gebruikt worden. De montagewerkzaamheden dienen volgens de handleiding en door een gekwalificeerd iemand te geschieden. Indien niet aan deze voorwaarden wordt voldaan, vervalt de garantie.
 Only original parts have to be used. The assembly has to be made by a qualified person according to the mounting instruction. In case of non-respect the guarantee is invalid.
 Impérativement utiliser la notice de montage fournie par le fabricant. La mise en œuvre et le montage doivent être exécutés par du personnel qualifié. Le non respect de ces règles annule catégoriquement tout droit de garantie



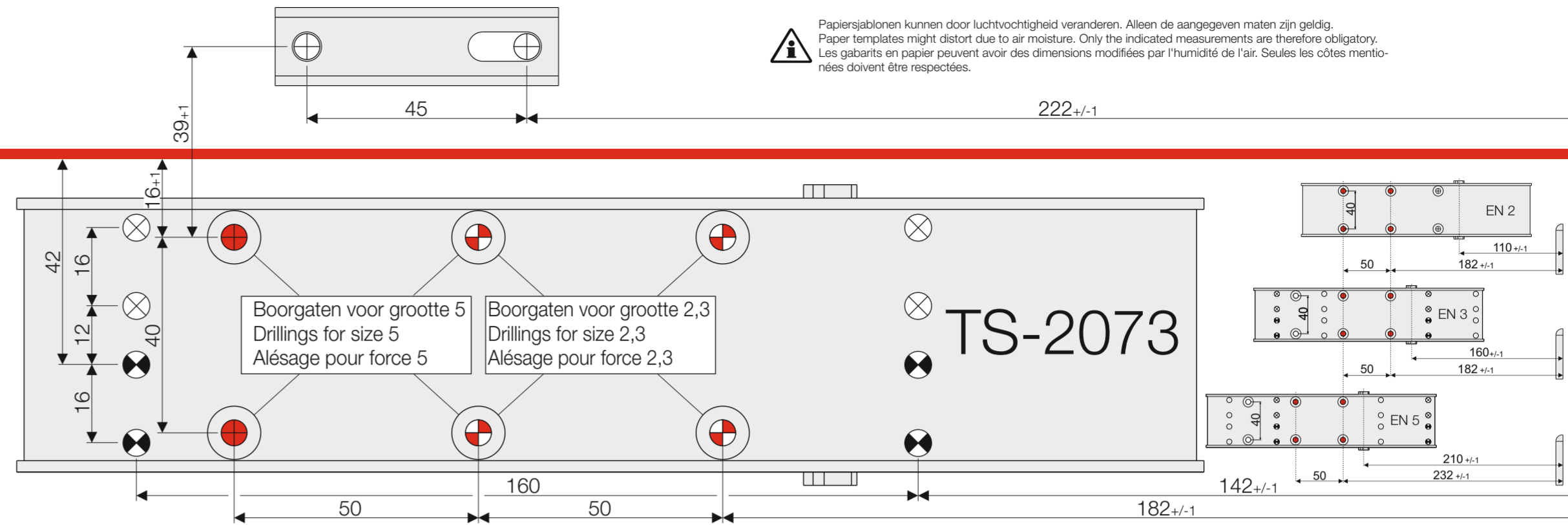


Papierjablonen kunnen door luchtvochtigheid veranderen. Alleen de aangegeven maten zijn geldig.
Paper templates might distort due to air moisture. Only the indicated measurements are therefore obligatory.
Les gabarits en papier peuvent avoir des dimensions modifiées par l'humidité de l'air. Seules les côtes mentionnées doivent être respectées.



DIN rechts / right / droite

- Boorgaten voor grootte 2,3
Drilling for size 2,3
Alésage pour force 2,3
- Alleen voor grootte 5 boorgaten!
Drilling for size 5 only!
Perçer seulement pour force 5!
- Boorgaten voor Montageplaat
Drillings for mounting plate
Alésage pour platine de montage (Gr.: 3,5 / Size: 3,5 / Dim: 3,5)



4tecx
TS-2073 EN 2,3,5

| | | |
|-------------------|--|-----------------|
| | ECO Schulte GmbH & Co. KG Iserlohner Landstraße 117 D-58706 Menden | 10 |
| 0432 - CPD - 0029 | EN 1154:1996+A1:2002 | 4 8 2/3/5 1 1 3 |

| | | |
|---------------------|---|--|
| | Deurdranger grootte Door closer size Force de ferme porte | Voor max. deurbreedte For max. door width Pour largeur de porte max. |
| TS-2073 EN 2,3,5 | ■2 | 850 mm |
| | ■3 | 950 mm |
| | ■5 | 1250 mm |

| | | |
|---------------------|----------------------|----------------------------|
| Afkortingen | Abbreviations | Abréviations |
| SS Sluitsnelheid | CS Closing speed | VF Vitesse de fermeture |
| ES Eindslag | LS Latching speed | CF Coup final |
| SK Sluitkracht | CF Closing force | FF Force de fermeture |

Voor de Montage mogen uitsluitend originele delen van de fabrikant gebruikt worden. De montagewerkzaamheden dienen volgens de handleiding en door een gekwalificeerd iemand te geschieden. Indien niet aan deze voorwaarden wordt voldaan, vervalt de garantie.
Only original parts have to be used. The assembly has to be made by a qualified person according to the mounting instruction. In case of non-respect the guarantee is invalid.
Impérativement utiliser la notice de montage fournie par le fabricant. La mise en œuvre et le montage doivent être exécutés par du personnel qualifié. Le non respect de ces règles annule catégoriquement tout droit de garantie

