

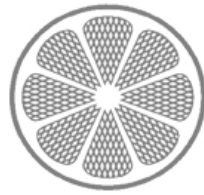


**IPC**

**Spare parts list**

Ref: ASDO14038

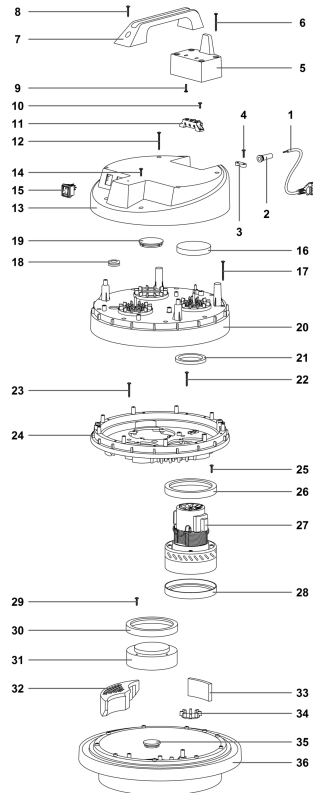
Model: VACUUM DAKOTA 429 1200W C/ACC. S



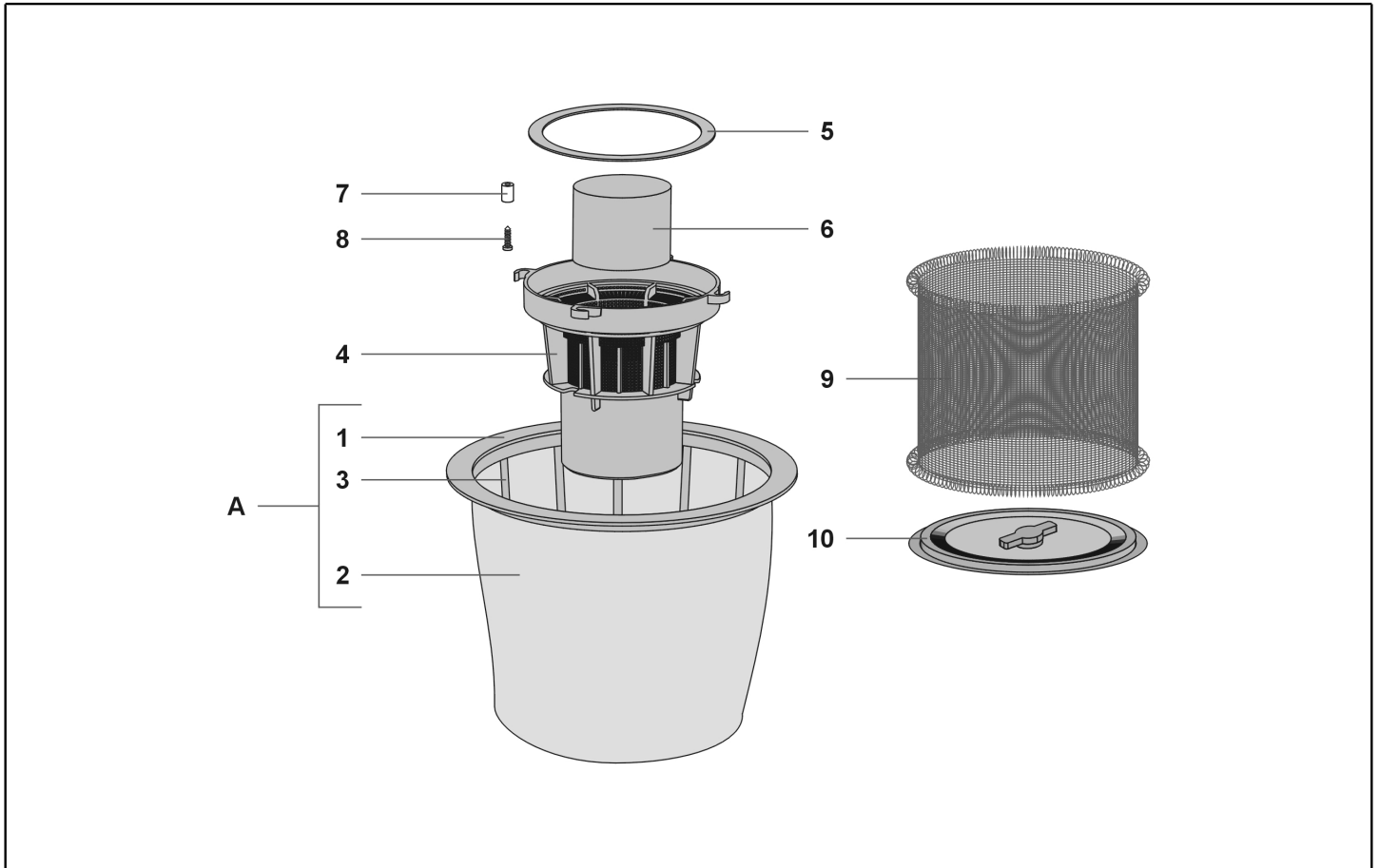
IPC Integrated Professional Cleaning

**IPC Soteco**

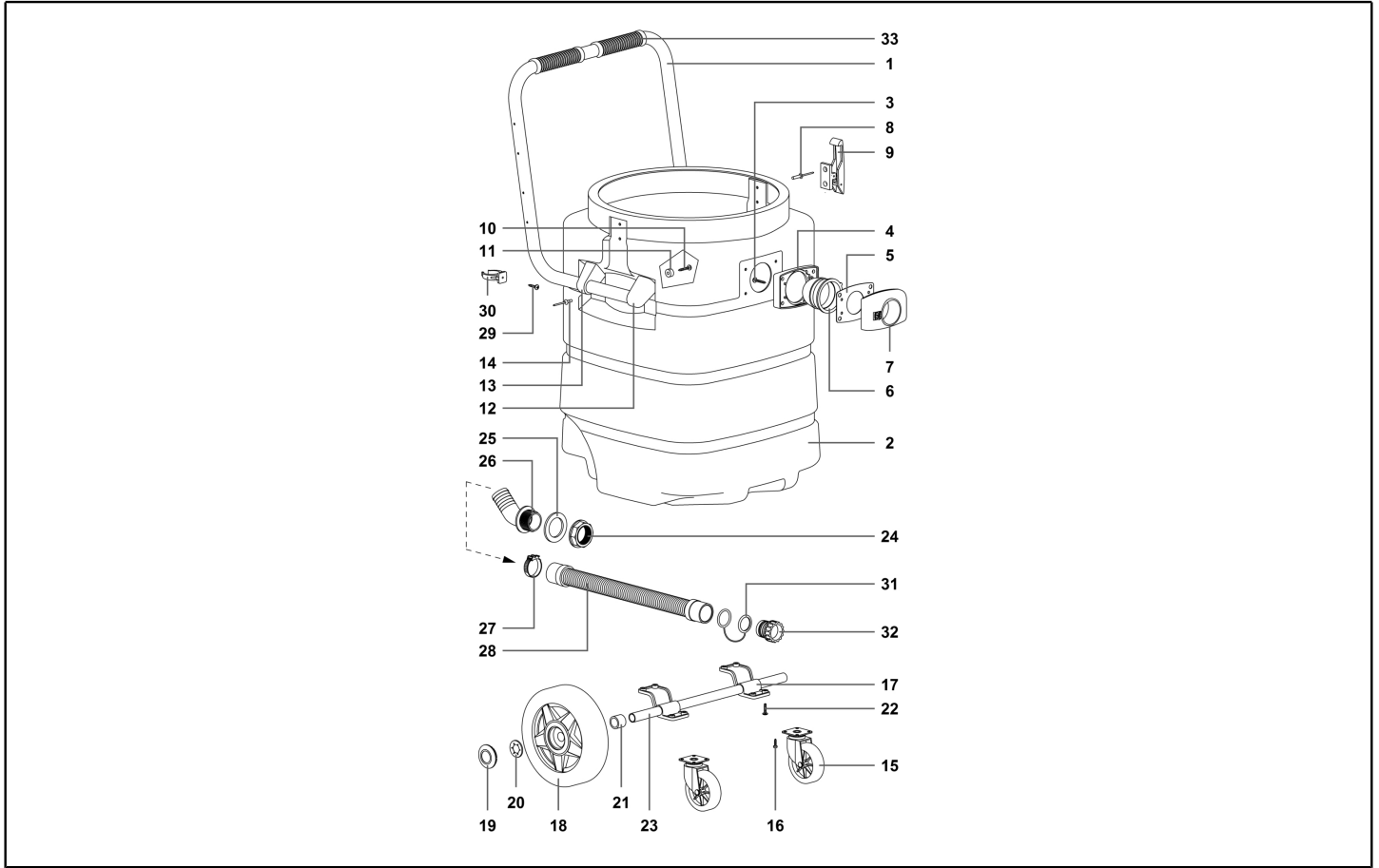
Ref. K	Part n.	Part n. 2	Description	Quantity	Validity		Price
					From	To	
0001	PMTA09335		HEAD DAKOTA 429 1200W G5/AZ SO	1,00			--
0002	KTRI04398		FILTERING KIT 400 C. W/2893 COMPL.	1,00			--
0003	PMFU00979		TANK 400/SM G4/G5LB TRO SCA CO	1,00			--
0004	PMDT00626			1,00			--



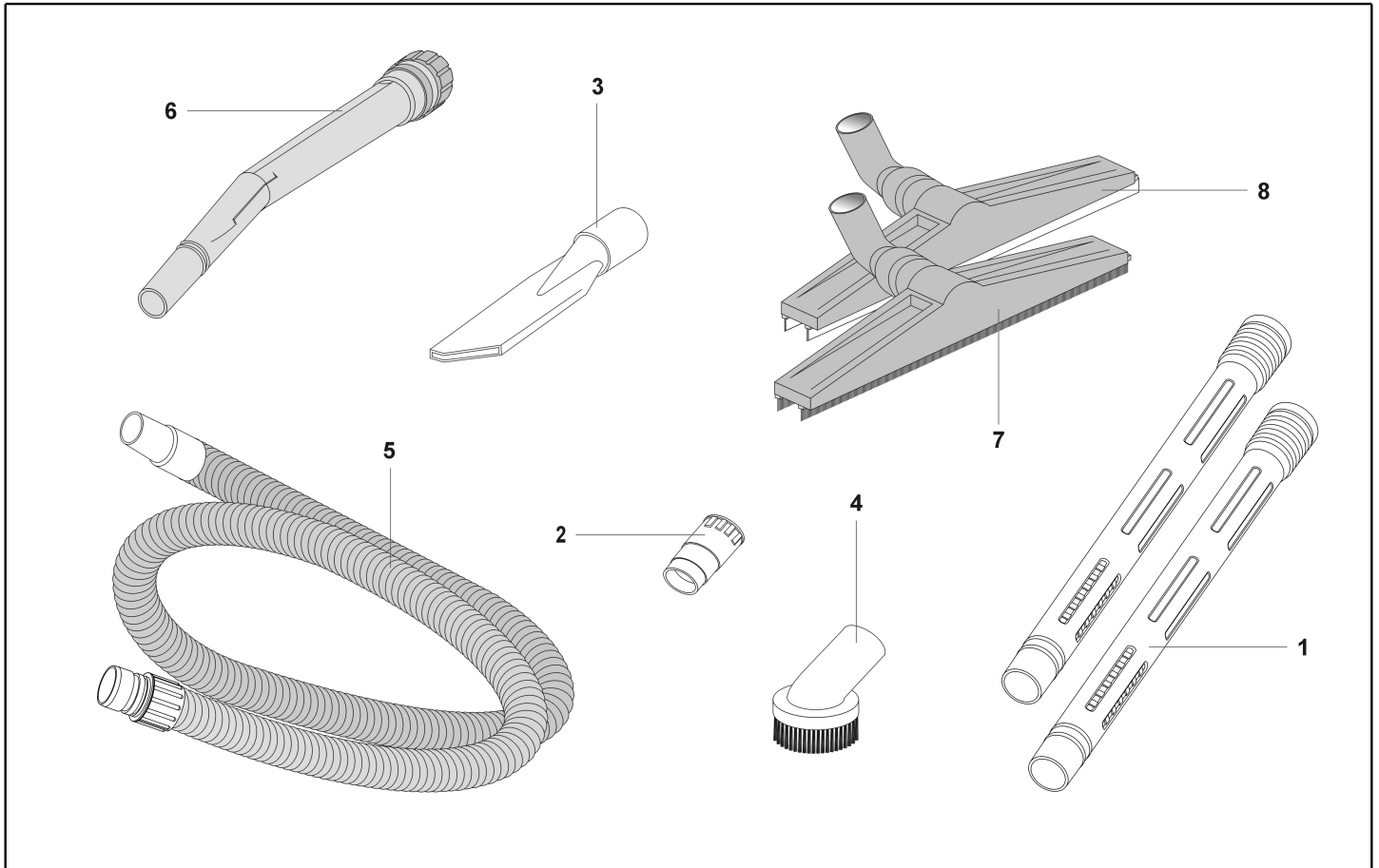
Ref. K	Part n.	Part n. 2	Description	Quantity	Validity		Price
					From	To	
*	MECB01829		WIRING 40CM MOT.POKE-IN-TP 1200	2,00			--
*	FSVR00127		CLAMP	3,00			--
0001	MECB31445		ELECTRIC CORD 2X1,5 MT.8,5	1,00			--
0002	MEVR28673		FAIRLEAD	1,00			--
0003	MPVR28690		CABLE CLAMP	1,00			--
0004	VTVT71961		SCREW PFU TMT PHL 5X20 ZN NERA	2,00			--
0005	MPVR09282		HOOK F.CABLE NEV.600 GR.5000	1,00			--
0006	VTVT32295		SCREW PAT TMT PHL 5X50	4,00			--
0007	MPVR09268		HANDLE NEVADA 600 GR.5000	1,00			--
0008	VTVT71966		SCREW PAT TMT PHL 5X30 BLACK	1,00			--
0009	VTVT71961		SCREW PFU TMT PHL 5X20 ZN NERA	2,00			--
0010	VTVT71960		SCREW SCREW PAT TMT PHL 5X14 ZN	2,00			--
0011	MECB01168		TERMINAL BOARD 400-600 2P 2MOT	1,00			--
0012	VTVT32295		SCREW PAT TMT PHL 5X50	4,00			--
0013	PMVR05338		LB FRONT COVER NEV.600 2M.	1,00			--
0014	VTVT71961		SCREW PFU TMT PHL 5X20 ZN NERA	2,00			--
0015	MECI28744		ANTISPLASH RED LIGHT SWITCHER	2,00			--
0016	FTDP38064		FILTER MTP/65 H=15 D.95	2,00			--
0017	VTVT40007		SCREW PAT TMT PHL 5X55 BLACK	9,00			--
0018	MEVR72017		GUIDING SLIT FOR QUICK COUPLING	1,00			--
0019	MPVR38053		COVERING CAP	1,00			--
0020	MPVR08511		GREY COVER 600 5000	1,00			--
0021	MPVR38371		WASHER H8 D85X65	2,00			--
0022	VTVT72106		SCREW PAT TMT PHL 5X40 BLACK	9,00			--
0023	VTVT72106		SCREW PAT TMT PHL 5X40 BLACK	3,00			--
0024	MPVR09325		BLUE MOT. FASTE NEV. 600	1,00			--
0025	VTVT71961		SCREW PFU TMT PHL 5X20 ZN NERA	8,00			--
0026	GUGO28683		"L" GASKET W/O HOLES H=5,5	2,00			--
0027	MOMO00624		MOTOR BD382 1200W 220-240 50/60	2,00			--
0028	GUGO28683		"L" GASKET W/O HOLES H=5,5	2,00			--
0029	VTVT71961		SCREW PFU TMT PHL 5X20 ZN NERA	4,00			--
0030	GUGO28683		"L" GASKET W/O HOLES H=5,5	1,00			--
0031	MPVR07346		FAKE MOTOR	1,00			--
0032	FTDP38057		ANTINOISE TRIANGLE H=51	3,00			--
0033	FTDP28745		GASKET MTP/30 AU-AD 50X10X85	3,00			--
0034	MPVR28748		AUTOMATIC VALVE	2,00			--
0035	MPVR38058		BASE CAP	1,00			--
0036	PMBA00606		BASE 600/400 G5 COMP	1,00			--



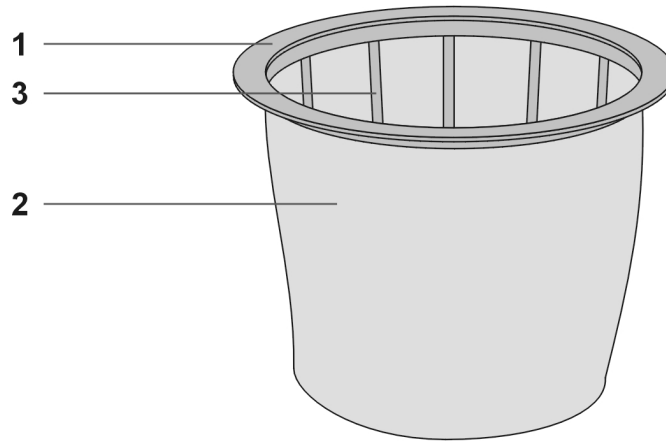
Ref. K	Part n.	Part n. 2	Description	Quantity	Validity		Price
					From	To	
A	FTDP28733		KIT RING+FILT+BASK.400 CONIC.SAN	1,00			--
0001	MPVR35807		FILTER RING 400	1,00			--
0002	FTDP00523		FILTER POLY AN4-600 CON REG H320	1,00			--
0003	MPVR09199		CONICAL BASKET 400	1,00			--
0004	MPVR40521		NET ANTIFOAM BODY HIGH	1,00			--
0005	GUVR40078		GASKET H3 DS50 W/ANTIFOAM BODY	1,00			--
0006	RCGR40008		HIGH FLOAT 99 W/GASKET 37 SHA	1,00			--
0007	MPVR35796		BUSHING PLASTIC SLEEVE D.8	4,00			--
0008	VTVT36751		SCREW SCREW PAT TMT PHL 5X25	4,00			--
0009	FTDP28755		FILTER D.145X190	1,00			--
0010	MPVR28723		COMPL.RING FOR FILTER	1,00			--



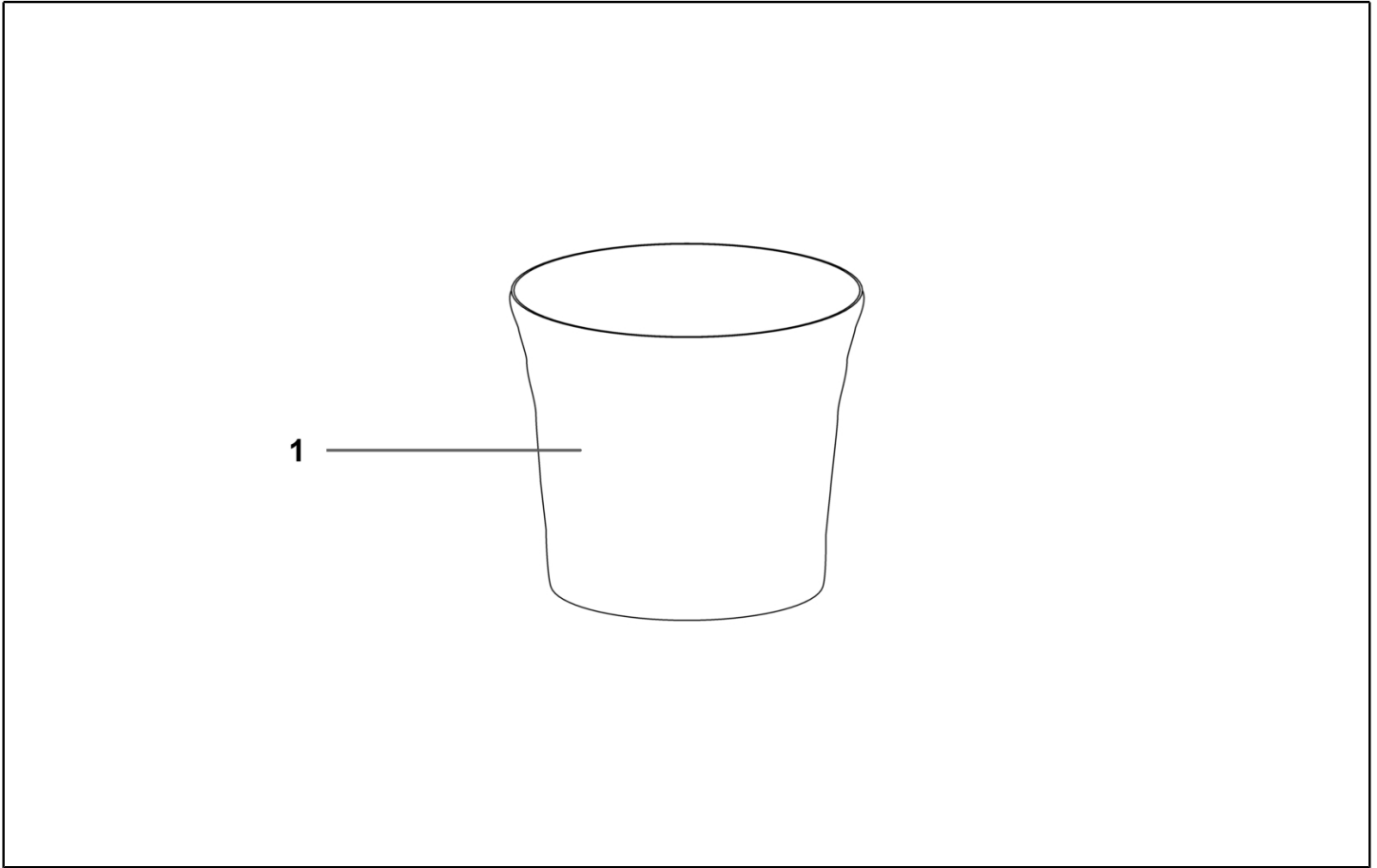
Ref. K	Part n.	Part n. 2	Description	Quantity	Validity		Price
					From	To	
0001	LAFN09921		HANDLE MARKET COMPACT NERO	1,00			--
0002	PMFU00867		TANK 400/SM G4 C/SCA. PERF.	1,00			--
0003	VTVT71966		SCREW PAT TMT PHL 5X30 BLACK	4,00			--
0004	MPVR08654		GASKET 99 GRAY PLANE 5000	1,00			--
0005	GUGO28701		GASKET D.38	1,00			--
0006	MPVR28696		DEFLECTOR 99	1,00			--
0007	MPVR08981		PIPE UNION R155 G5000 W/PUL.LB	1,00			--
0008	VTVR00340		RIVET 5X24,5	4,00			--
0009	PMVR02868		COMPL.PLAST.HOOK GREY 5000	2,00			--
0010	VTVT71966		SCREW PAT TMT PHL 5X30 BLACK	8,00			--
0011	VTRS72158		PLAST.WASHER	8,00			--
0012	MPVR07780		HANDLE SUPPORT	2,00			--
0013	MPVR08086		HANDLE SUPPORT PASSING	2,00			--
0014	VTVR00396		RIVET 4,8X17 BLACK	2,00			--
0015	RTRT28775		FLANGED WHEEL D.80	2,00			--
0016	VTVT72114		SCREW TC POZ 4X15 AC ZN BLACK	8,00			--
0017	MPVR06580		SUPPORT WHEEL PIN	2,00			--
0018	RTRT85069		REAR WHEEL D.200	2,00			--
0019	MPVR85070		WHEEL CAP D.200/250 BLACK	2,00			--
0020	MPVR86321		BLOC. D.18	2,00			--
0021	MPVR06595		WHEEL SPACER MARK.PLAST.	2,00			--
0022	VTVT71961		SCREW PFU TMT PHL 5X20 ZN NERA	8,00			--
0023	LAFN85932		PIVOT WHEEL MARK.PLAST.TANK	1,00			--
0024	MPVR41218		RING 1-1/4"	1,00			--
0025	GUGO41219		GASKET 60X40X4	1,00			--
0026	RCVR72130		FITTING CONNECTOR 45° 1-1/4"	1,00			--
0027	FSVR00074		CLIP 300X9	1,00			--
0028	TBFX41220		DRAIN TUBE D.34 L=600	1,00			--
0029	VTVT87311		SCREW PAT TMT PHL 5X20 INOX	1,00			--
0030	FSVR41221		LIRA CLAMP D.34	1,00			--
0031	MPVR41222		TIE ROD CAP	1,00			--
0032	MPVR10436		PLASTIC TOP D.40 X 35 C/OR COMPL.	1,00			--
0033	MPVR02288		GRIP PLAST.CARRELLO GR.5000	2,00		11/05/2022	--
0033	MPVR10119		GRIP PLAST.CARRELLO NERO	2,00	12/05/2022		--



Ref. K	Part n.	Part n. 2	Description	Quantity	Validity		Price
					From	To	
0001	LAFN43048		EXTENSION FOR VACUUM CLEANER	2,00			--
0002	MPVR43049		PVC ADAPTOR D.38	1,00			--
0003	SPPV00156		FLAT LANCE D.38	1,00			--
0004	SPPV43052		ROUND TOOL D.38	1,00			--
0005	TBFX00442		COMPL.FLEX HOSE 38 MT.3,5	1,00			--
0006	MPVR43047		EXTENSION CURVED EXTENSION	1,00			--
0007	SPPV43050		BRISTLES BRUSH D.40	1,00			--
0008	SPPV43051		CURVED WET TOOL 400 D.38	1,00			--

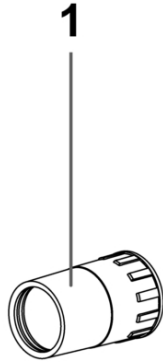


Ref. K	Part n.	Part n. 2	Description	Quantity	Validity		Price
					From	To	
0001	MPVR35807		FILTER RING 400	1,00			--
0002	FTDP00523		FILTER POLY AN4-600 CON REG H320	1,00			--
0003	MPVR09199		CONICAL BASKET 400	1,00			--

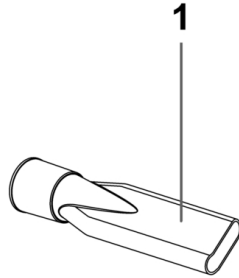


Ref. K	Part n.	Part n. 2	Description	Quantity	Validity		Price
					From	To	
0001	FTDP00523		FILTER POLY AN4-600 CON REG H320	1,00			--
0001	FTDP00523		FILTER POLY AN4-600 CON REG H320	1,00			--
0001	FTDP00523		FILTER POLY AN4-600 CON REG H320	1,00			--

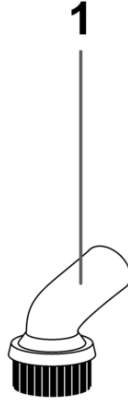




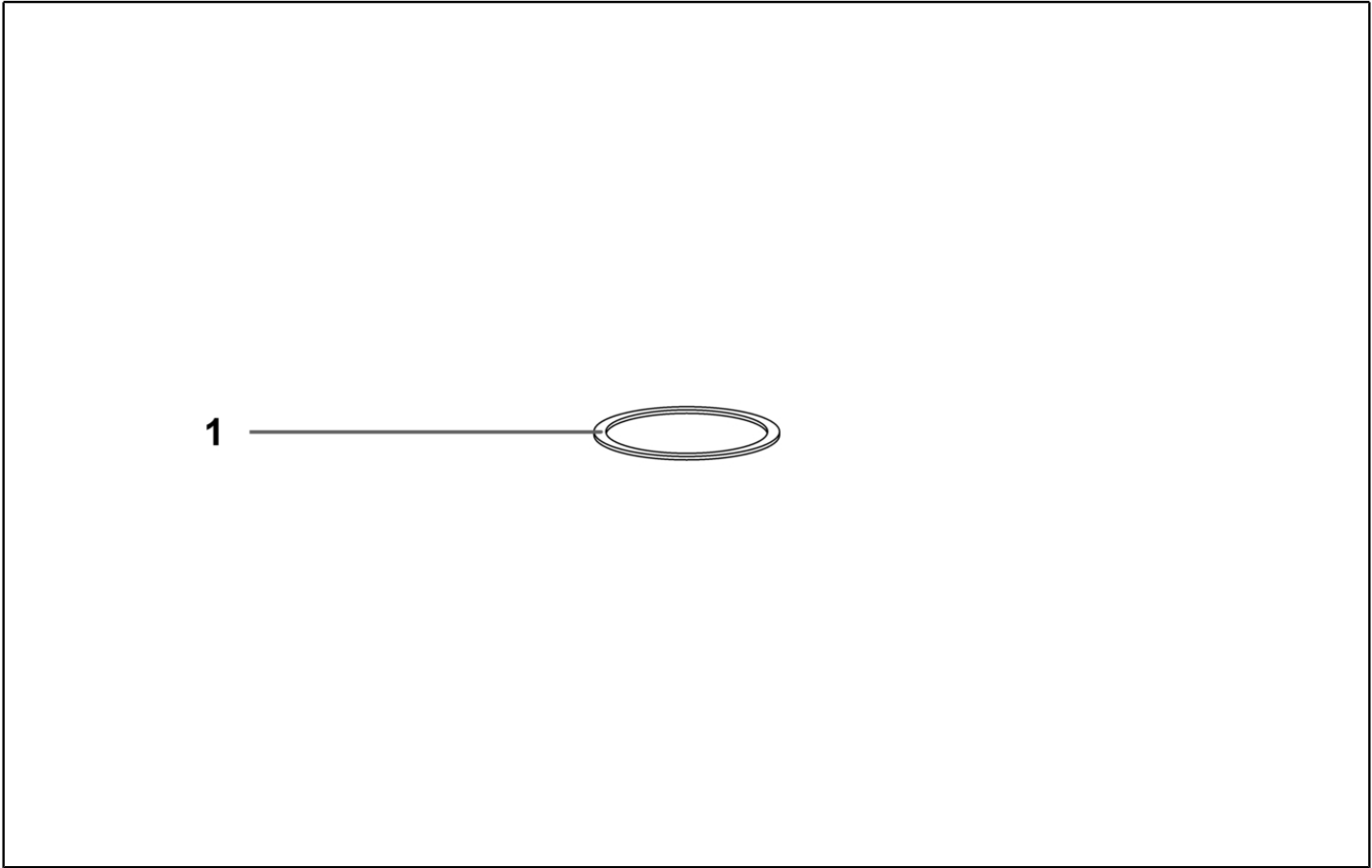
Ref. K	Part n.	Part n. 2	Description	Quantity	Validity		Price
					From	To	
0001	MPVR43049		PVC ADAPTOR D.38	1,00			--
0001	MPVR43049		PVC ADAPTOR D.38	1,00			--



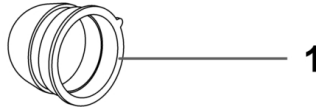
Ref. K	Part n.	Part n. 2	Description	Quantity	Validity		Price
					From	To	
0001	SPPV00156		FLAT LANCE D.38	2,00			--
0001	SPPV00156		FLAT LANCE D.38	2,00			--



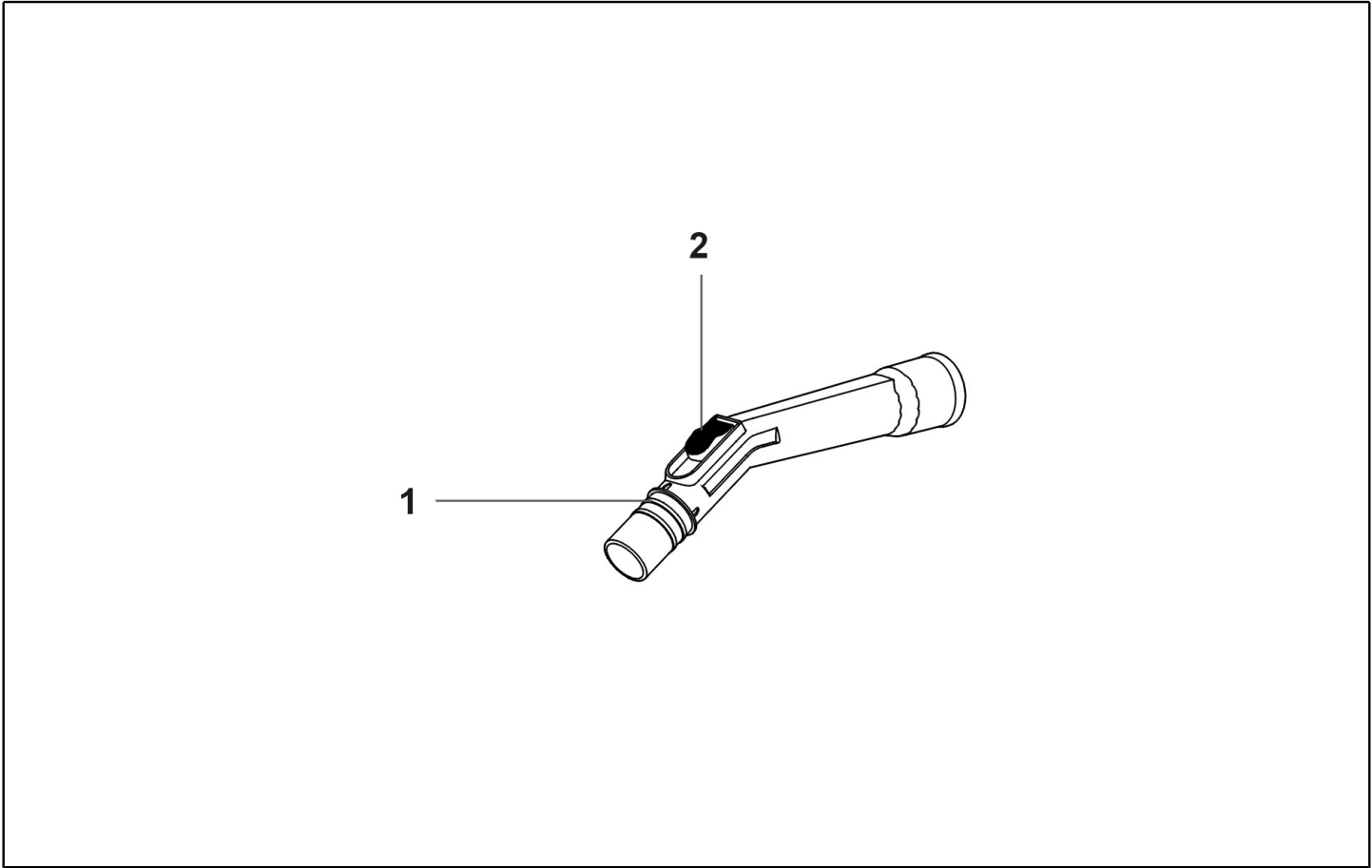
Ref. K	Part n.	Part n. 2	Description	Quantity	Validity		Price
					From	To	
0001	SPPV43052		ROUND TOOL D.38	1,00			--
0001	SPPV43052		ROUND TOOL D.38	1,00			--



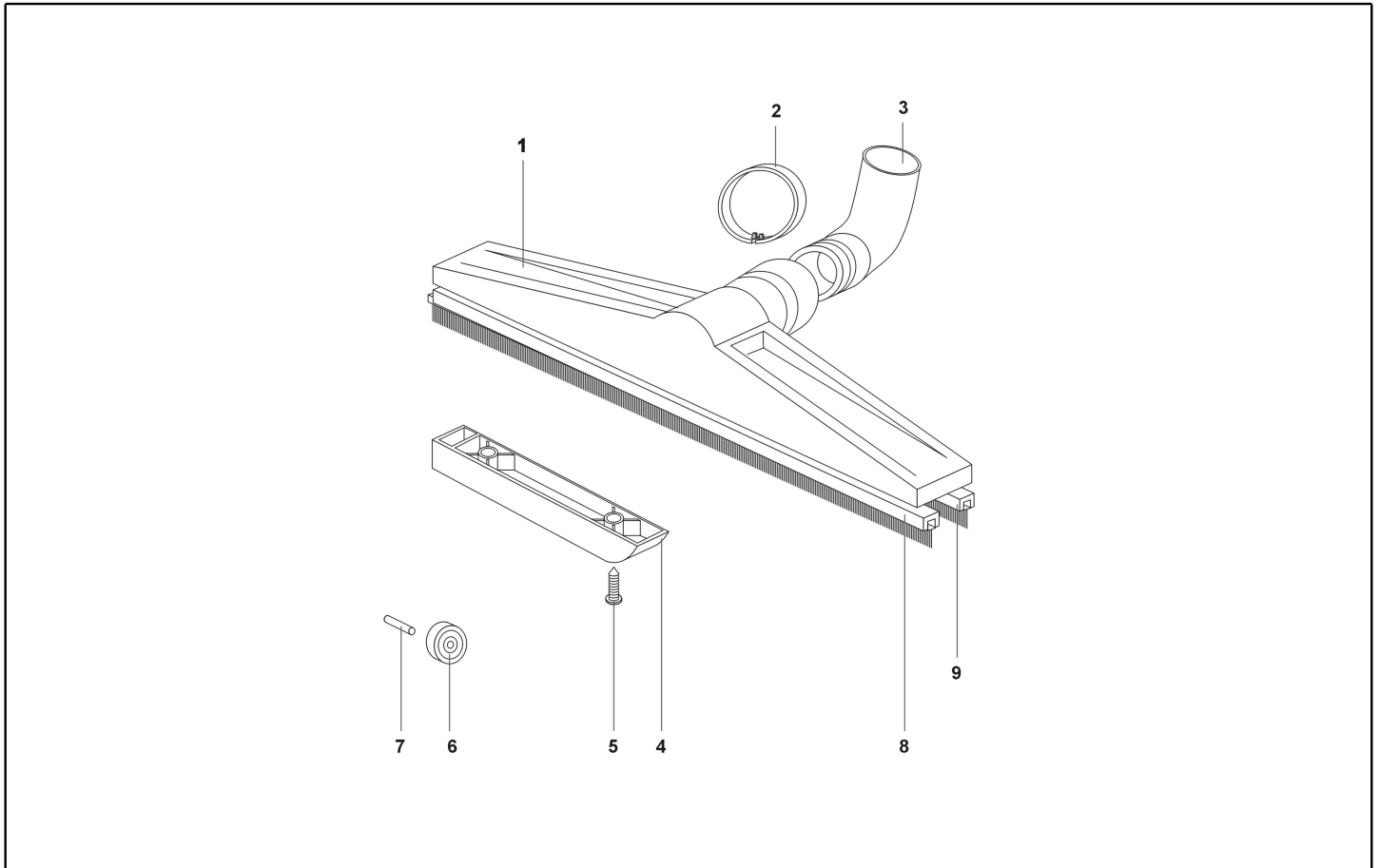
Ref. K	Part n.	Part n. 2	Description	Quantity	Validity		Price
					From	To	
0001	GUVR40078		GASKET H3 DS50 W/ANTIFOAM BODY	1,00			--
0001	GUVR40078		GASKET H3 DS50 W/ANTIFOAM BODY	1,00			--



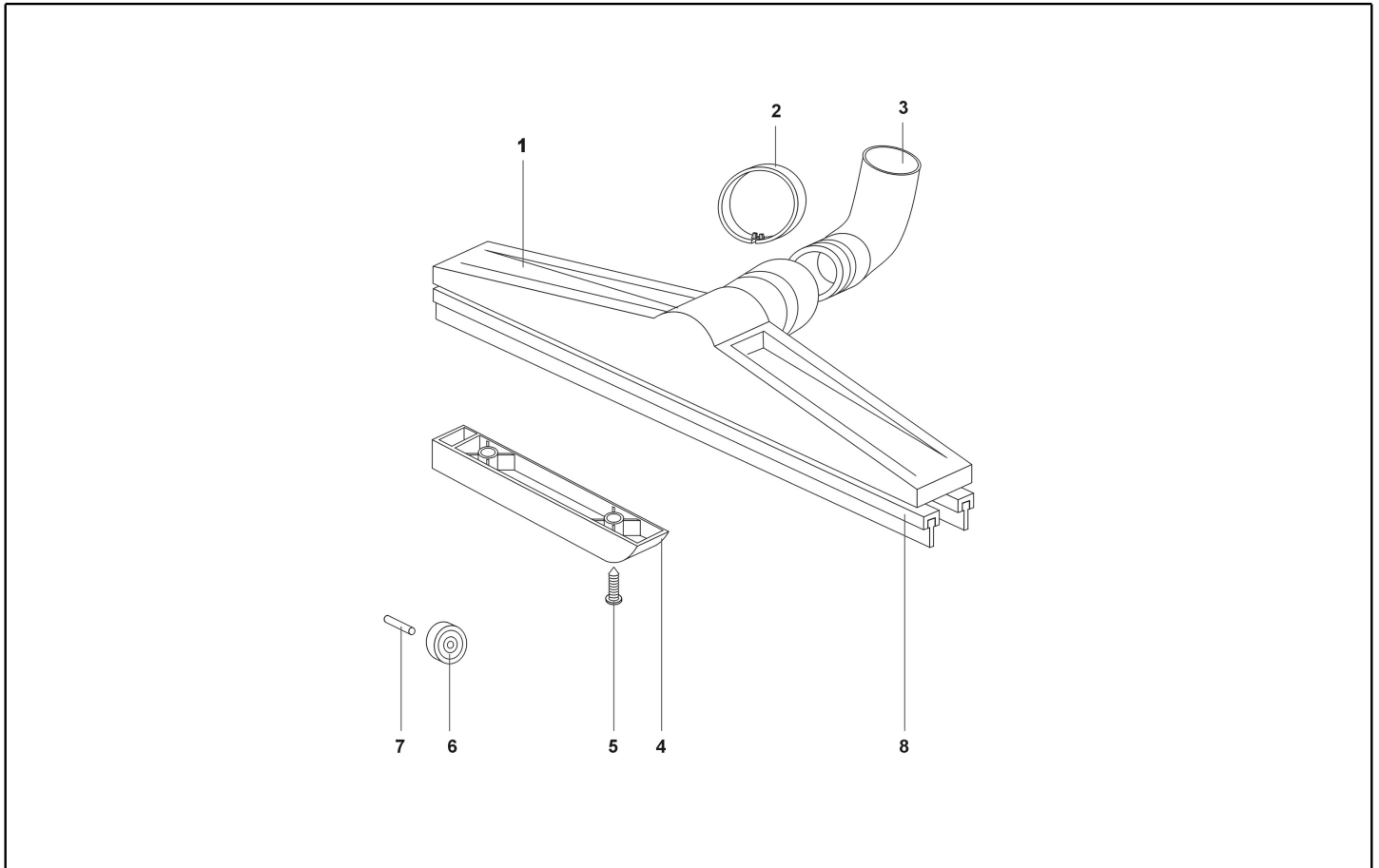
Ref. K	Part n.	Part n. 2	Description	Quantity	Validity		Price
					From	To	
0001	MPVR28696		DEFLECTOR 99	1,00			--
0001	MPVR28696		DEFLECTOR 99	1,00			--



Ref. K	Part n.	Part n. 2	Description	Quantity	Validity		Price
					From	To	
0001	MPVR10505		CURVE PLAST DIA 38	1,00			--
0002	MPVR06762		PUSH BUTTON AIR REGULATION G5	1,00			--



Ref. K	Part n.	Part n. 2	Description	Quantity	Validity		Price
					From	To	
0001	MPVR06726		BRUSH BODY 400	1,00			--
0002	MPVR49176		ELASTIC RING NUT BRUSH 400	1,00			--
0003	MPVR02289		BRUSH 400 ELBOW CLUTCH D.38	1,00			--
0004	MPVR06728		WHEEL HOLDER SUPPORT BRUSH 400	2,00			--
0005	VTVT01193		SCREW PAT TMT PHL 5X15 ZN BLACK	4,00			--
0006	RTRT87117		WHEEL D.25 BRUSH 300/400	2,00			--
0007	LAFN86068		PIVOT 5 X 17,5 ZN	2,00			--
0008	SPPV76601		STRIP L=395	1,00			--
0009	SPPV76599		GUIDE LIST W/STRIP L=395	1,00			--

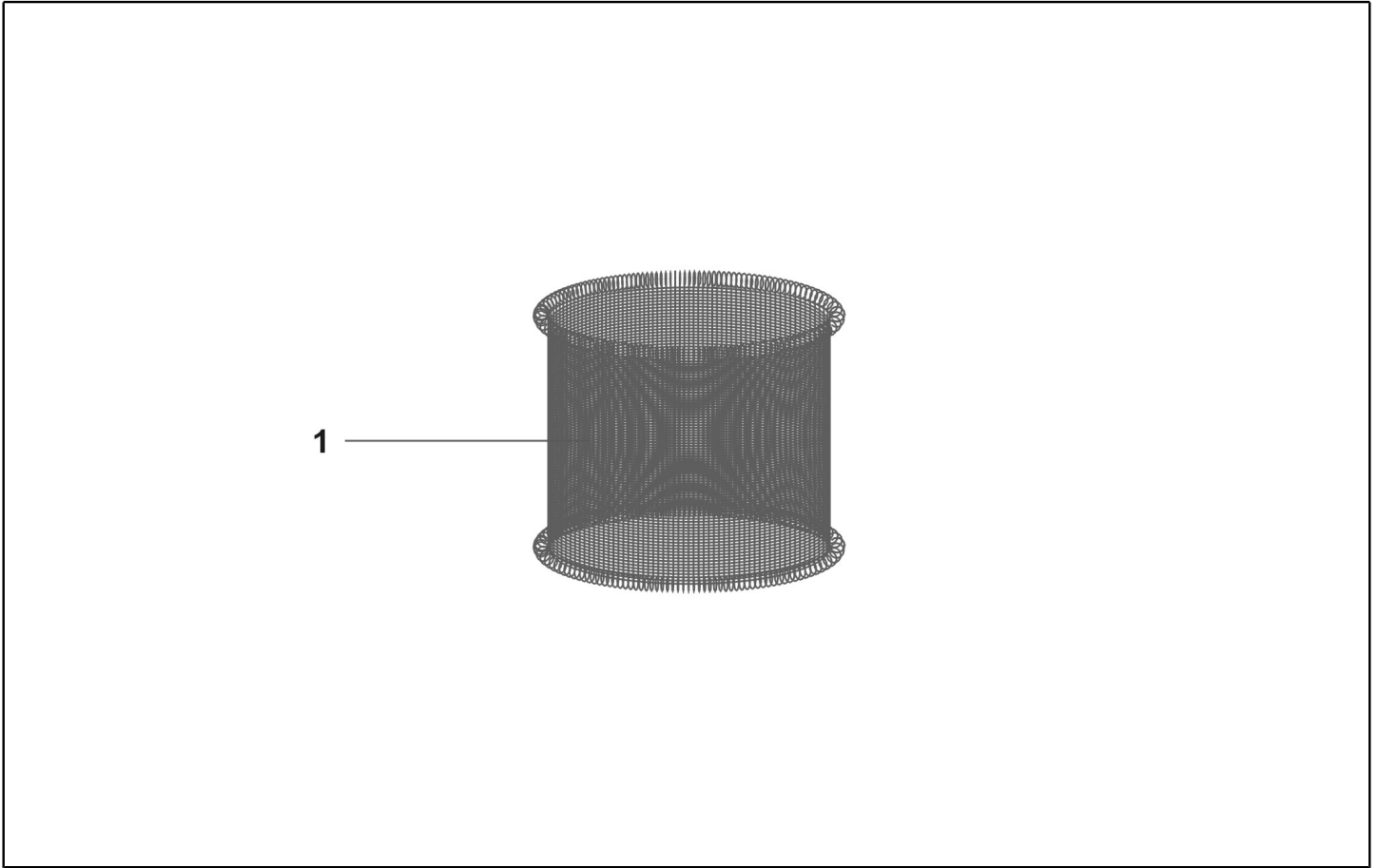


Ref. K	Part n.	Part n. 2	Description	Quantity	Validity		Price
					From	To	
0001	MPVR06726		BRUSH BODY 400	1,00			--
0002	MPVR49176		ELASTIC RING NUT BRUSH 400	1,00			--
0003	MPVR02289		BRUSH 400 ELBOW CLUTCH D.38	1,00			--
0004	MPVR06728		WHEEL HOLDER SUPPORT BRUSH 400	2,00			--
0005	VTVT01193		SCREW PAT TMT PHL 5X15 ZN BLACK	4,00			--
0006	RTRT87117		WHEEL D.25 BRUSH 300/400	2,00			--
0007	LAFN86068		PIVOT 5 X 17,5 ZN	2,00			--
0008	MPVR38641		GUIDE LIST W/WET L=395	2,00			--

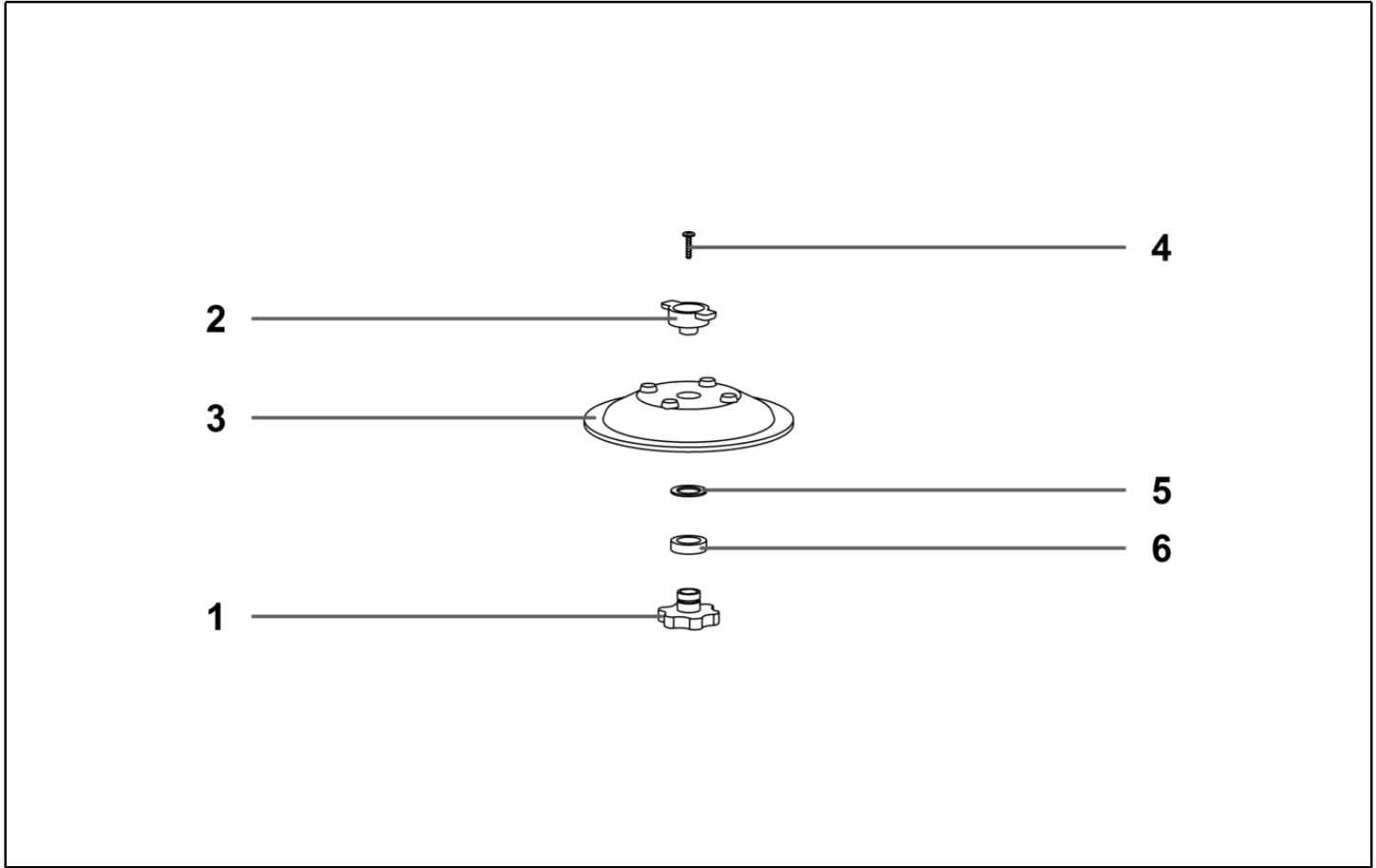




Ref. K	Part n.	Part n. 2	Description	Quantity	Validity		Price
					From	To	
0001	VTVT36751		SCREW SCREW PAT TMT PHL 5X25	1,00			--
0001	VTVT36751		SCREW SCREW PAT TMT PHL 5X25	1,00			--



Ref. K	Part n.	Part n. 2	Description	Quantity	Validity		Price
					From	To	
0001	FTDP28755		FILTER D.145X190	1,00			--
0001	FTDP28755		FILTER D.145X190	1,00			--



Ref. K	Part n.	Part n. 2	Description	Quantity	Validity		Price
					From	To	
0001	MPVR07254		KNOB RAPID ATTACK	1,00			--
0002	MPVR07253		HOOKING RAPID ATTACK	1,00			--
0003	MPVR06630		DISC FILTER SUPPORT	1,00			--
0004	VTVT71961		SCREW PFU TMT PHL 5X20 ZN NERA	1,00			--
0005	VTRS00418		WASHER P.P. 30X20X1,5	1,00			--
0006	VTRS00419		WASHER SPONGE RUBBER 30X20X8	1,00			--

Quantities — 1

Ref. K	Part n.	Part n. 2	Description	Quantity	Validity		Price
					From	To	
0001	VTVT87311		SCREW PAT TMT PHL 5X20 INOX	1,00			--
0001	VTVT87311		SCREW PAT TMT PHL 5X20 INOX	1,00			--