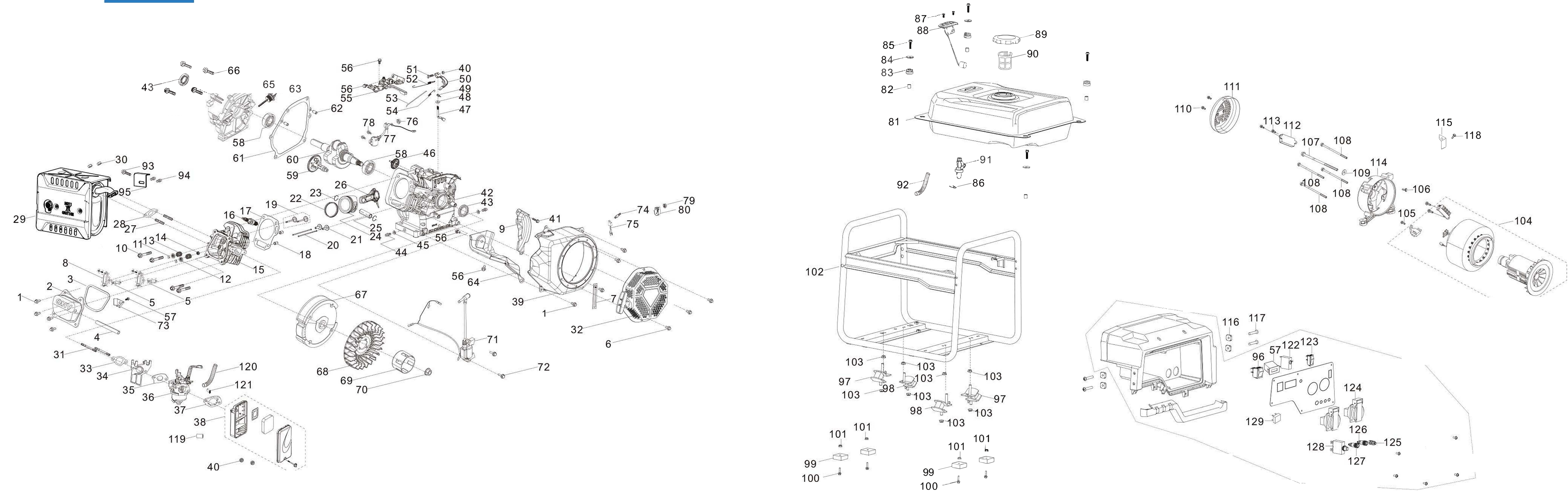




GR3500AVR EXPLODED VIEW



REF.NO	PART NO	DESCRIPTION	Q'TY
1	90001-0612-01A0	HEXAGON SOCKET FLANGE FACE BOLT - SMALL SERIES	8
2	12410-Z950210-00A0	COVER SUBASSEMBLY, CYLINDER HEAD	1
3	12004-Z950410-00A0	CYLINDER HEAD COVER GASKET	1
4	17004-Z010310-00A0	TUBE, BREATHER	1
5	14318-Z950110-00A0	SHAFT SUBASSEMBLY, ROCKER	2
6	90001-0608-01A0	HEXAGON SOCKET FLANGE FACE BOLT - SMALL SERIES	4
7	90684-Z030120-00A0	WIRE CLIP	1
8	14310-Z950110-00A0	ROCKER SUBASSEMBLY, VALVE	2
9	19340-Z440110-00A0	SHIELD,LOWER	1
10	12003-Z010110-00A0	CYLINDER HEAD BOLT	4
11	12109-Z810110-00A0	CLAMP, VALVE LOCK	4
12	12112-Z810210-00A0	SEAT, VALVE SPRING	2
13	12103-Z010110-00A0	SPRING, VALVE	2
14	12101-Z810210-00A0	GUIDE, SEAL	1
15	12140-Z950210-00A0	HEAD SUBASSEMBLY, CYLINDER	1
16	30010-Z010110-00A0	PLUG, SPARK	1
17	12131-Z950110-00A0	GASKET, CYLINDER HEAD	1
18	90502-1114-00A0	POSITION PIN - TYPE A	2
19	12110-Z950110-00A0	VALVES SET	1
20	14071-Z950110-00A0	LIFTER, VALVE	2
21	14081-Z040110-00A0	TAPPET, VALVE	2
22	13200-Z140210-00A9	RING ASSY, PISTON	1
23	13122-Z010110-00A0	CLIP, PISTON PIN	2
24	13111-Z950120-00A0	PISTON	1
25	13121-Z010110-00A0	PIN, PISTON	1
26	13010-Z950110-00A0	ROD, CONNECTING	1
27	90203-Z010110-01A0	STUD BOLT	2
28	18001-Z950110-00A0	GASKET, EXHAUST OUTLET	2
29	18100-YF20110-WF00	MUFFLER ASSY.	1
30	90303-0800-31A0	HEXAGON NUT	2
31	90204-Z010210-01A0	STUD BOLT	1
32	28200-Z260210-H3A0	STARTER ASSY, RECOIL	1
33	16002-Z950110-00A0	GASKET, CARBURETOR INSULATOR	1
34	16003-Z950110-00A0	PLATE, CARBURETOR INSULATOR	1
35	16001-Z010110-00A0	CARBURETOR SEAL GASKET	1
36	16100-Z952210-00M0	CARBURETOR ASSY.	1
37	17001-Z010110-00A0	AIR CLEANER SEAL GASKET	1
38	17100-Z950710-00A0	AIR CLEANER	1
39	28110-Z010410-H3A0	SHROUD	1
40	90305-0600-31A0	HEXAGON NUT WITH FLANGE	3
41	90001-0616-01A0	BOLT	1
42	11310-Z531310-00A0	CRANKCASE SUBASSEMBLY.	1
43	90682-Z300110-00A0	SEAL, OIL	2
44	11007-Z010110-00A0	BOLT, DRAIN PLUG	2
45	90408-Z010510-00A0	FLAT WASHER	2
46	16400-Z0X0110-00A0	GEAR ASSY, GOVERNOR	1
47	16061-Z010110-00A0	ARM, GOVERNOR	1
48	90408-Z010210-00A0	FLAT WASHER	1
49	90501-Z010110-00A0	COTTER PIN	1
50	16070-Z010110-00A0	GOVERNOR BRACKET SUBASSEMBLY	1
51	16072-Z010110-00A0	BOLT, GOVERNOR SUPPORT	1
52	16063-Z950210-00A0	SPRING, GOVERNOR	1
53	16062-Z010210-00A0	ROD, GOVERNEOR	1
54	16012-Z010310-00A0	SPRING, THROTTLE VALVE RETURNING	1
55	16520-Z040130-00A0	CONTROL ASSY, THROTTLE	1
56	90001-0610-01A0	BOLT	4
57	35632-YA60210-0000	TIMER	1
58	90548-0205-CLA0	DEEP GROOVE BALL BEARING	2
59	14200-Z950120-00A0	CAMSHAFT ASSY.	1

60	13300-Z950111-00A0	CRANKSHAFT ASSY.	1
61	11001-Z440110-00A0	GASKET, CRANKCASE	1
62	90502-0912-00A0	POSITION PIN - TYPE A	2
63	15010-Z010130-Q5A0	DIPSTICK SUBASSEMBLY, OIL	1
64	19304-Z950120-00A0	SHROUD, CYLINDER BODY	1
65	11411-Z530111-00A0	COVER, CRANKCASE	1
66	90001-0832-01A0	HEXAGON SOCKET FLANGE FACE BOLT - SMALL SERIES	6
67	13510-Z440110-00A0	FLYWHEEL SUBASSEMBLY	1
68	19352-Z440210-00A0	IMPELLER	1
69	28002-Z010310-00A0	PULLEY,STARTER	1
70	13501-Z010110-00A0	NUT, FLYWHEEL	1
71	30400-Z440410-00A0	COIL, IGNITION	1
72	90001-0625-01A0	BOLT	2
73	12419-Z950210-00A0	CYLINDER HEAD COVER PIN LIMIT PLATE	1
74	37057-Z440120-00A0	OIL PROTECTOR FASTENING BOLT	1
75	37050-Z010210-00A0	PROTECTOR, OIL	1
76	90305-Z010210-01A0	HEXAGON NUT WITH FLANGE	1
77	37060-Z010120-00A0	SENSOR, ENGINE OIL	1
78	90001-0614-01A0	BOLT	2
79	90305-0600-31A0	HEXAGON NUT WITH FLANGE	1
80	37056-Z010210-00A0	OIL PROTECTOR COVER	1
81	16620-YF20210-H3A0	FUEL TANK	1
82	90683-Y020110-00A0	BUSH	4
83	16601-Y020120-00A0	SLEEVE, FUEL TANK RUBBER	4
84	90408-Y020310-00A0	FLAT WASHER	4
85	90007-0625-A1A0	BOLT	4
86	90740-Z010210-00A0	COLLAR	1
87	90104-0512-51A0	BOLT	2
88	37200-Y1J0110-H3A0	LEVELER ASSY, OIL	1
89	16730-Y020130-H7A0	COVER, FUEL TANK	1
90	16652-Y020120-00A0	STRAINER, FUEL	1
91	16750-Y020211-00A0	COCK ASSY, FUEL	1
92	30431-YBW0210-00A0	JACKET, RUBBER	1
93	90001-0816-01A0	BOLT	1
94	90001-0612-01A0	BOLT	2
95	18030-YF20110-H3A0	BRACKET,MUFFLER	1
96	35160-Y020110-0000	SWITCH SUBASSEMBLY	1
97	51011HY020120-00A0	CUSHION, ENGINE FRAME RIGHT	2
98	51005HY020120-00A0	CUSHION, ENGINE FRAME	2
99	51014HY020120-00A0	SEAT, ENGINE FRAME SHOCK ABSORPTION	4
100	90001-0612-01A0	BOLT	4
101	90327-0600-31A0	HEXAGON NUT WITH FLANGE	4
102	51100-YG10210-H700	FRAME ASSY, ENGINE	1
103	90305-0800-31A0	HEXAGON NUT WITH FLANGE	8
104	31300-YF20110-00A0	MOTOR ASSY.	1
105	90001-0512-01A0	HEXAGON SOCKET FLANGE FACE BOLT - SMALL SERIES	1
106	90001-0512-01A0	HEXAGON SOCKET FLANGE FACE BOLT - SMALL SERIES	1
107	30049-Y040120-00A0	BOLT, ROTOR	1
108	30048-Y040120-00A0	STATOR BOLT	4
109	90408-Y020210-00A0	FLAT WASHER	1
110	90001-0512-01A0	BOLT	2
111	30022-Y020110-H3A0	MOTOR TAIL COVER	1
112	30060-Y025110-00A0	REGULATOR, VOLTAGE	1
113	90001-0512-01A0	HEXAGON SOCKET FLANGE FACE BOLT - SMALL SERIES	2
114	30021-Y020310-00A0	MOTOR SUPPORT	1
115	30023-Y020110-00A0	STOPPER, MOTOR RIGHT COVER	1
116	90326-Y2V0110-00A0		4
117	90007-0640-A1A0	BOLT	4
118	90007-0612-A1A0	HEXAGON SOCKET FLANGE FACE BOLT - BIG SERIES - GRADE B	1
119	90722-Z010610-00A0	PLUG, END	1
120	90686-Z2Z0110-00A0	TUBE, FUEL	1
121	90740-Z010510-00A0	COLLAR	1
122	35645-Y150110-0000	BREAKER, SINGLE-POLE CIRCUIT	1
123	35160-YDS0210-0000	SWITCH SUBASSEMBLY	1
124	35614-Y020110-0000	SOCKET SUBASSEMBLY, POWER SUPPLY	2
125	35629-YF80110-0000	TERMINAL SUBASSEMBLY, GROUNDING	1

126	35634-Y020110-0000	TERMINAL, NEGATIVE ELECTRODE	1
127	35633-Y020110-0000	TERMINAL, POSITIVE ELECTRODE	1
128	31234-Y9H0110-0000	PROTECTOR, OVERCURRENT	1
129	35621-Y020110-0000	BRIDGE, RECTIFICATION	1