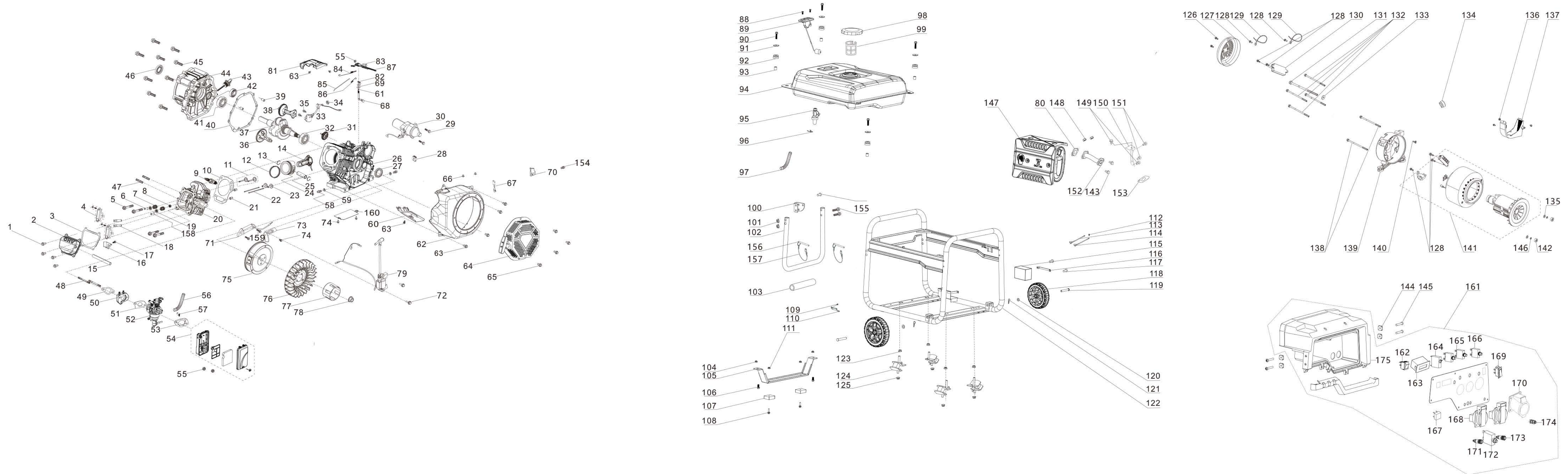




GRE8500AVR EXPLODED VIEW





GRE8500AVR GASOLINE ENGINE

REF.NO.	PART NO	DESCRIPTION	Q'TY
1	90001-0612-01A0	BOLT	4
2	12410-Z0J0210-00A0	COVER SUBASSEMBLY, CYLINDER HEAD	1
3	12004-Z0J0510-00A0	CYLINDER HEAD COVER GASKET	1
4	14310-Z0D0110-00A0	ROCKER SUBASSEMBLY, VALVE	2
5	12003-Z0N0110-00A0	CYLINDER HEAD BOLT	4
6	12104-Z010110-00A0	ROTATOR, VALVE	2
7	12103-Z990110-00A0	SPRING, VALVE	2
8	12101-Z020110-00A0	GUIDE, SEAL	1
9	30010-Z010110-00A0	PLUG, SPARK	1
10	12131-Z0D0210-00A0	GASKET, CYLINDER HEAD	1
11	12110-Z0D0210-00A0	VALVES SET	1
12	13200-Z0D0110-00A9	RING ASSY, PISTON	1
13	13122-Z100110-00A0	CLIP, PISTON PIN	2
14	13010-Z0D0110-00A0	ROD, CONNECTING	1
15	17004-Z0D0110-00A0	TUBE, BREATHER	1
16	12419-Z950210-00A0	CYLINDER HEAD COVER PIN LIMIT PLATE	1
17	90001-0612-01A0	BOLT	1
18	14318-Z990110-00A0	SHAFT SUBASSEMBLY, ROCKER	2
19	12112-Z0D0110-00A0	SEAT, VALVE SPRING	2
20	12140-Z0D0210-0BA9	HEAD SUBASSEMBLY, CYLINDER	1
21	90502-1220-00A0	POSITION PIN	2
22	14070-Z0D0110-00A0	LIFTER SUBASSEMBLY, VALVE	2
23	14081-Z080110-00A0	TAPPET, VALVE	2
24	13111-Z0D0110-00A9	PISTON	1
25	13121-Z0D0110-00A0	PIN, PISTON	1
26	11310-Z0D0110-0BA0	CRANKCASE SUBASSEMBLY.	1
27	90682-Z0J0110-00A0	SEAL, OIL	1
28	28101-Z080110-00A0	PLUG, RUBBER	1
29	90001-0835-01A0	BOLT	2
30	09100-Z170110-00A1	STARTING MOTOR ASSEMBLY	1
31	16400-Z100110-00A0	GEAR ASSY, GOVERNOR	1
32	90548-0202-CLA0	DEEP GROOVE BALL BEARING	1
33	37060-Z080120-00A0	SENSOR, ENGINE OIL	1
34	90305-Z010210-01A0	HEXAGON NUT WITH FLANGE	1
35	90001-0616-01A0	BOLT	2
36	14200-Z0D0110-00A9	CAMSHAFT ASSY.	1
37	13300-Z0D0110-CLAT	CRANKSHAFT ASSY.	1
38	13401-Z0D0110-00A0	BALANCING SHAFT	1
39	90502-0812-00A0	POSITION PIN	2
40	11001-Z0D0110-00A0	GASKET, CRANKCASE	1
41	90547-0208-CLAE	DEEP GROOVE BALL BEARING	1
42	90548-0202-CLA0	DEEP GROOVE BALL BEARING	1
43	15010-Z080330-Q5A0	DIPSTICK SUBASSEMBLY, OIL	1
44	11411-Z0D0110-0BA0	COVER, CRANKCASE	1
45	90007-0840-A1A0	BOLT	9

46	90682-Z0J0110-00A0	SEAL, OIL	1
47	90203-Z010110-01A0	STUD BOLT	2
48	90204-Z100410-00A0	STUD BOLT	2
49	17002-Z0D0110-00A0	GASKET, INLET	1
50	16003-Z0D0110-00A0	PLATE, CARBURETOR INSULATOR	1
51	16001-Z100110-00A0	CARBURETOR SEAL GASKET	1
52	16100-Z0D0910-00A0	CARBURETOR ASSY.	1
53	17001-Z0D0110-00A0	AIR CLEANER SEAL GASKET	1
54	17100-Z0D0110-00A9	AIR CLEANER	1
55	90305-0600-31A0	HEXAGON NUT WITH FLANGE	3
56	90686-Z0D0210-00A0	TUBE, FUEL	1
57	90685-Z030220-00A0	PIPE CLAMP	1
58	11007-Z080110-00A0	BOLT, DRAIN PLUG	2
59	90412-Z080110-00A0	FLAT WASHER	2
60	19304-Z100210-00A0	SHROUD, CYLINDER BODY	1
61	90682-Z100210-00A0	SEAL, OIL	1
62	28110-Z710510-H3A0	SHROUD	1
63	90001-0612-01A0	BOLT	4
64	28200-Z190610-H3A1	STARTER ASSY, RECOIL	1
65	90251-0608-01A0	NUT+WASHER	4
66	90684-Z030210-00A0	WIRE CLIP	2
67	37050-Z010210-00A0	PROTECTOR, OIL	1
68	16061-Z0D0110-00A0	ARM, GOVERNOR	1
69	90412-Z080210-00A0	FLAT WASHER	2
70	37056-Y500110-00A0	OIL PROTECTOR COVER	1
71	30140-Z160230-00A0	COIL SUBASSEMBLY, CHARGE	1
72	90001-0628-01A0	BOLT	2
73	30001-Z170110-00A0	CLAMP, CHARGE COIL	1
74	90001-0610-01A0	BOLT	3
75	13510-Z0D0110-00A0	FLYWHEEL SUBASSEMBLY	1
76	19352-Z100210-00A0	IMPELLER	1
77	28002-Z100210-00A0	PULLEY, STARTER	1
78	13501-Z080110-00A0	NUT, FLYWHEEL	1
79	30400-Z190210-00A0	COIL, IGNITION	1
80	18101-YDK0110-00A0	GASKET, MUFFLER	1
81	16520-Z0D0110-00A0	CONTROL ASSY, THROTTLE	1
82	90501-Z010110-00A0	COTTER PIN	1
83	16072-Z010110-00A0	BOLT, GOVERNOR SUPPORT	1
84	16063-Z0D0110-00A0	SPRING, GOVERNOR	1
85	16062-Z100110-00A0	ROD, GOVERNEOR	1
86	16012-Z080110-00A0	SPRING, THROTTLE VALVE RETURNING	1
87	16070-Z100120-00A0	GOVERNOR BRACKET SUBASSEMBLY	1
88	90104-0512-51A0	BOLT	2
89	37200-Y1J0110-H3A0	LEVELER ASSY, OIL	1
90	90007-0625-A1A0	BOLT	4
91	90408-Y020310-00A0	FLAT WASHER - GRADE A	4
92	16601-Y020120-00A0	SLEEVE, FUEL TANK RUBBER	4
93	90683-Y020110-00A0	BUSH	4
94	16620-YF30210-H3A0	FUEL TANK	1

95	16750-Y020211-00A0	COCK ASSY, FUEL	1
96	90740-Z010210-00A0	COLLAR	1
97	30431-Z010410-00A0	JACKET, RUBBER	1
98	16730-Y020130-H7A0	COVER, FUEL TANK	1
99	16652-Y020120-00A0	STRAINER, FUEL	1
100	54113-YF30110-H7A0	SEAT, HANDLE TUBE CONNECTING	1
101	90310-0800-31A0	NUT	2
102	54110-YF30110-H7A0	HANDLE TUBE ASSY	1
103	54101-Y2C0110-Q2A0	SLEEVE, HANDLE RUBBER	1
104	90305-0800-31A0	HEXAGON NUT WITH FLANGE	2
105	51016-Y0K0110-H7A0	SUPPORT, ENGINE FRAME SHOCK ABSORPTION	1
106	90001-0816-01A0	BOLT	2
107	51014HY940110-00A0	SEAT, ENGINE FRAME SHOCK ABSORPTION	2
108	90001-0620-01A0	BOLT	2
109	90001-0612-01A0	BOLT	1
110	17003-YC20110-00A0	SUPPORT, ATR CLEANER	1
111	90305-0600-31A0	HEXAGON NUT WITH FLANGE	2
112	90007-0612-A1A0	BOLT	1
113	31112HY130310-00A0	WIRE, ANODE	1
114	31114HY130310-00A0	WIRE, CATHODE	1
115	31110-Y230110-00A0	BATTERY	1
116	31142-Y130110-H7A0	CLAMP, BATTERY	1
117	90007-0616-A1A0	BOLT	2
118	44110-Y3Y0110-Q2A0	WHEEL, FRONT	2
119	44020-Y470110-01A0	SHAFT, FRONT WHEEL	2
120	90408-Y090210-00A0	FLAT WASHER	2
121	90501-Y2C0110-01A0	COTTER PIN	2
122	51100-YF30110-H7A0	FRAME ASSY, ENGINE	1
123	90306-1000-31A0	HEXAGON NUT WITH FLANGE	4
124	51012HY030120-00A0	CUSHION, ENGINE FRAME REAR	4
125	90305-0800-31A0	HEXAGON NUT WITH FLANGE	4
126	90001-0512-01A0	BOLT	2
127	30022-Y030110-H3A0	MOTOR TAIL COVER	1
128	90001-0516-01A0	BOLT	7
129	90727-Y020110-00A0	BAND	2
130	30060-YHL0110-00A0	REGULATOR, VOLTAGE	1
131	30049-Y950110-00A0	BOLT, ROTOR	1
132	30048-Y950110-00A0	STATOR BOLT	4
133	90408-Y030110-00A0	FLAT WASHER	1
134	30023-YC20110-00A0	STOPPER, MOTOR RIGHT COVER	1
135	90408-0500-E1A0	FLAT WASHER	2
136	90001-0510-01A0	BOLT	3
137	30024-Y030110-00A0	SHROUD, MOTOR	1
138	31316-Y950120-01A0	STATOR BOLT	2
139	30021-Y030310-00A0	MOTOR SUPPORT	1
140	90001-0512-01A0	BOLT	1
141	31300-YCK0410-00A0	MOTOR ASSY.	1
142	31317-Y030110-01A0	NUT, STATOR	2
143	90001-0830-01A0	BOLT	2

144	90326-Y2V0110-00A0	NUT SQUARE	4
145	90007-0645-A1A0	BOLT	4
146	90403-0500-01A0	WASHER, FLAT	2
147	18100-YF50210-WFA0	MUFFLER ASSY.	1
148	90303-0800-31A0	HEXAGON NUT	2
149	90001-0816-01A0	BOLT	2
150	18030-Y730110-00A0	BRACKET,MUFFLER	1
151	90001-0816-01A0	BOLT	2
152	18150-Z0D0310-00A0	PIPE, EXHAUST	1
153	18101-Z0D0110-00A0	GASKET, MUFFLER	1
154	90001-0625-01A0	BOLT	1
155	90001-0895-01A0	HEXAGON SOCKET FLANGE FACE BOLT - SMALL	2
156	90504-Y910110-00A0	PIN SHAFT	2
157	90793-Y910110-00A0	Sling	2
158	12109-Z0D0110-00A0	CLAMP, VALVE LOCK	4
159	90001-0632-01A0	BOLT	2
160	19306-Z0D0110-00A0	DEFLECTOR, CRANKCASE AIR	1
161	35610-YF50810-H3A0	PANEL SUBASSEMBLY, CONTROL	1
162	35160-Y210110-0000	SWITCH SUBASSEMBLY	1
163	35632-YA60210-0000	TIMER	1
164	35645-YCK0210-0000	BREAKER, SINGLE-POLE CIRCUIT	1
165	31234-YCK0110-0000	PROTECTOR, OVERCURRENT	2
166	31234-YCK0210-0000	PROTECTOR, OVERCURRENT	1
167	35621-Y020110-0000	BRIDGE, RECTIFICATION	1
168	35614-Y020110-0000	SOCKET SUBASSEMBLY, POWER SUPPLY	1
169	35160-YDS0210-0000	SWITCH SUBASSEMBLY	1
170	35614-Y240310-0000	SOCKET SUBASSEMBLY, POWER SUPPLY	1
171	35633-Y020110-0000	TERMINAL, POSITIVE ELECTRODE	1
172	31234-Y9H0110-0000	PROTECTOR, OVERCURRENT	1
173	35634-Y020110-0000	TERMINAL, NEGATIVE ELECTRODE	1
174	35629-YF80110-0000	TERMINAL SUBASSEMBLY, GROUNDING	1
175	35680-YF30110-0000	SEAT, PANEL	1