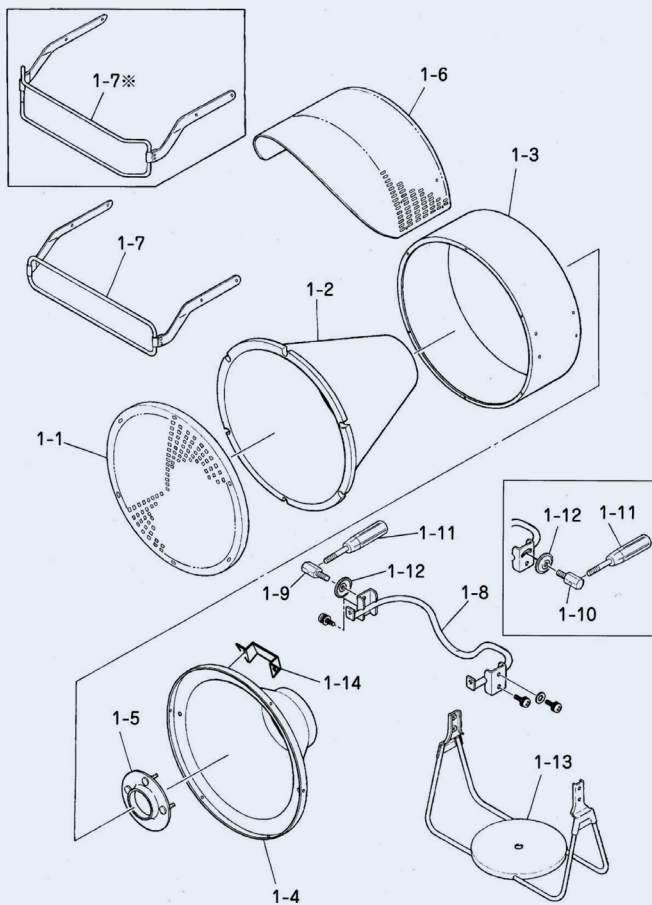
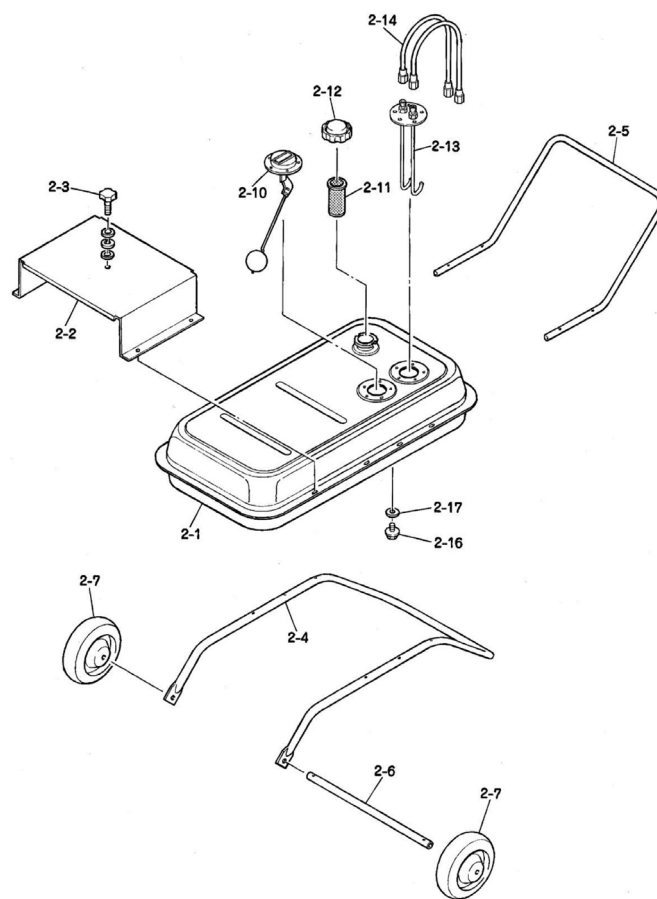


NR.	ART.NR.	DESCRIPTION	QTY.
1-1	210220001-1	Radiation disk	1
1-2	210220001-2	Conical insulator	1
1-3	210220001-3	Drum	1
1-4	210220001-4	Conical housing	1
1-5	210220001-5	Burner fitting piece	1
1-6	210220001-6	Visor	1
1-7	210220001-7	Guard rail	1
1-8	210220001-8	Burner stay	1
1-9	21022001-10	Clamp bolt (rh)	1
1-9	210220001-9	Clamp bolt (lh)	1
1-11	21022001-11	Clamp lever	2
1-11	21022001-11	Clamp lever	1
1-12	50201201055	Washer	2
1-12	50201201055	Washer	1
1-13	21021001-13	Burner leg	1
1-14	50298203A05	Caution label plate	1
1-14	50298203A05	Caution label plate	1



NR.	ART.NR.	DESCRIPTION	QTY.
2-1	210220002-1	Fuel tank	1
2-1	50306180001	Fuel tank	1
2-1	50306180A01	Fuel tank	1
2-2	210220002-2	Swivel base	1
2-3	210220002-3	Swivel bolt	1
2-4	210220002-4	Tank leg	1
2-5	210220002-5	Grip	1
2-6	210220002-6	Wheel shaft	1
2-7	50201204006	Wheel	2
2-7A	50330202024	Wheel	2
2-10	21022002-10	Fuel gauge	1
2-10	50302203002	Fuel gauge	1
2-11	21022002-11	Tank inlet filter	1
2-12	50219102003	Filler cap	1
2-13	21300502-13	Suction pipe	1
2-14	21022002-14	Fuel line	2
2-16	50231204020	Drain bolt	1
2-17	50231204021	Packing	1



NR.	ART.NR.	DESCRIPTION	QTY.
3-1	210220003-1	Nozzle(1.0g)	1
3-2	210220003-2	Nozzle holder	1
3-3	210220003-3	Nozzle pipe	1
3-4	210220003-4	Electrode (rh)	1
3-5	210220003-5	Electrode (lh)	1
3-6	210220003-6	Electrode stay	1
3-7	210220003-7	Electrode fitting plate	2
3-8	21300503-11	Electrode cover	1
3-9	210210003-9	Fuel filter comp.	1
3-10	21021003-10	Filter element	1
3-11	21021003-11	Filter bowl	1
3-12	21021003-12	Filter body	1
3-15A	50305201003	Elbow nipple	1
3-16A	50306201010	Filter nipple	1
3-17	50280202009	Fuel intake line	1
3-18	50204201025	Pump elbow	1
3-19	50305201A04	Fuel pump w/o air vent valve	1
3-22	50280202010	Fuel outlet line	1
3-23	21300503-15	Pump nozzle grommet	1
3-25	50306180002	Housing with operation/housingornament/ name stickers/indoor use prohibition label	1
3-26	21022003-28	Housing grip	1
3-28	21300503-65	Housing seal (a)	1
3-30	21021003-30	Housing fitting piece(a)	2
3-36	50249203047	Short circuit cord	1
3-37B	50321204005	Burner control	1
3-38	50291201004	Fuse holder	1
3-39	50291201018	Fuse holder bracket	1
3-41	50291201006	Fuse (1.6a)	1
3-42A	50306101005	Control chassis	1
3-43	21300503-48	Pump transformer bracket	1
3-44	50291201014	Grommet	1
3-45A	50306101006	Face plate with sticker	1
3-46	50291201002	Step down transformer	1
3-47	50291201009	Fan motor	1
3-48A	50306101003	Flame monitor	1
3-49	50262202029	Flame monitor holder	1
3-51	50319202022	Ignition transformer	1
3-52	50291201016	Insulating cap	2
3-54A	50306201006	Housing end	2
3-55	21021003-55	Housing fitting piece(b)	2
3-56	21022003-54	Housing seal (b)	1
3-57	21022003-55	Burner boss	1
3-58	21022003-56	Burner cone	1
3-59	21022003-57	Whirl vane	1
3-69	50291101002	Switch	1
3-71B	503032B1005		1
3-73B	50205201017		1
3-74	50298201016	Burner packing	1
3-75	21022003-68	Nozzle spanner	1
3-79	21062003-67	Air vent valve	1

NR.	ART.NR.	DESCRIPTION	QTY.
3-80	50291201013	Return line	1
3-81	50213201007	Return line nipple	1
3-82	21021003-82	Rubber cap	1
3-83	50305203-83	Repair set	1
3-89	21021003-13	O-ring	1
3-90	213005003-6	Washer	1
3-93	21021003-93	Electrode nipple	2
3-94A	50306201011	Nipple fitting nut	2
3-97	22215030013	Burner control cover	1
3-101	50306201007	Thermostat connector	1
3-101A	50306201019	Thermostat connector with pin	1
3-102	50229201037	Control support	4
3-103	50229201041	Cord protection packing	1

SPARE PARTS VAL6

