



General information

Product name	Tool Pouch L 36
Item no.	6100000955
GTIN/EAN	4262403280038
Customs tariff no.	42021219
Country of origin	China

Product image



Characteristics

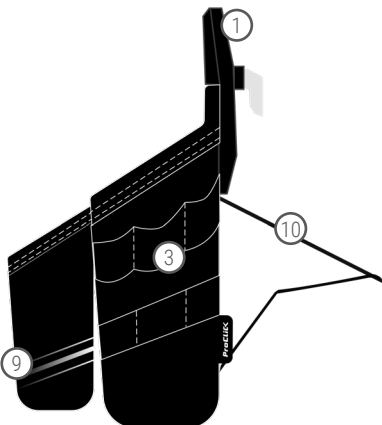
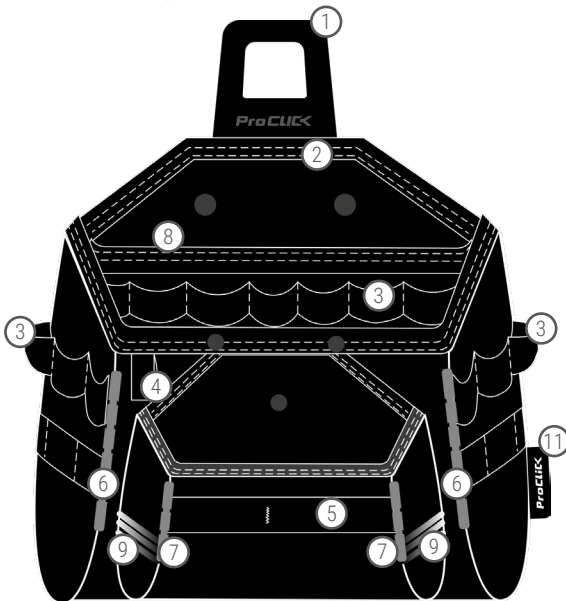
- Made of durable 1000D Polyester, bonded with EVA
- Integrated ClickUnit made of Polyamid PA6 GF30 and stainless steel
- Tool Pouch L 36 can only be used in combination with the ProClick Holder
- Individual positioning on the belt thanks to patented click connection between ClickUnit and Holder
- Tubes made of ABS for color individualization (optional available)
- More safety due to reflective safety stripes
- Intuitive and simple click connection



Technical data

Width	220 mm	9"
Height	270 mm	11"
Depth	200 mm	8"
Weight	0.52 kg	1.1 lbs
Loading capacity	5 kg	11 lbs

Compatible with	<ul style="list-style-type: none"> ▪ Holder ▪ Unit Organizer ▪ Tool Bag M
-----------------	--



- 1 ClickUnit
- 2 Pouch
- 3 Elastic loops
- 4 Webbing loop for carabiner
- 5 Elastic webbing for taking up the logo plate (logo plate optional available)
- 6 Tube, long (optional available)
- 7 Tube, short (optional available)
- 8 Separate inner compartment
- 9 Reflective safety stripes
- 10 Kick-stand
- 11 ProClick logo flag
- 12 Pen loop
- 13 Mini elastic loops
- 14 Outer pocket compatible to Inset Box (2x A3 or 1x B3)