

INDICE-TABLES OF CONTENTS-INDEX-TABLE DES MATIERES-ÍNDICE

I	GB	D	F	ES	TAV
SCHEDA TECNICA	TECHNICAL CHART	TECHNISCHE TAFEL	FICHE TECHNIQUE	FICHA TECNICA	
GRUPPO PIATTO MONOSPAZZOLA	SINGLE BRUSH PLATE ASSEMBLY	EINZEL BÜRSTE PLATE GRUPPE	GROUPE PLATINE MONOBROSSE	GRUPO PLATINA MONOCEPILLO	TAV.1
GRUPPO PIATTO DOPPIA SPAZZOLA	TWIN BRUSH PLATE ASSEMBLY	ZWEITE BÜRSTE GRUPPE	GROUPE PLATINE DOUBLE BROSSE	GRUPO PLATINA DOBLE CEPILLO	TAV.2
GRUPPO TERGIPAVIMENTO	SQUEEGEE GROUP	SAUGFUSSGRUPPE	ENSEMBLE DE SUCEUR	GRUPO LIMPIA-PAVIMENTO	TAV.3
GRUPPO TRAZIONE	DRIVE ASSEMBLY	ANTRIEBSGRUPPE	GROUPE DE TRACTION	GRUPO TRACCION	TAV 4
GRUPPO SERBATOIO	TANK ASSEMBLY	TANK GRUPPE	GROUPE RESERVOIR	GRUPO TANQUE	TAV 5
GRUPPO POMPA ELETTROVALVOLE FILTRI	PUMP-ELECTROVALVE FILTER ASSEMBLY	PUMPE-ELECTROVENTIL - FILTER GRUPPE	GROUPE POMPE ELECTROVALVES - FILTRES	GRUPO BOMBA ELECTROVALVULAS – FILTROS	TAV.6
GRUPPO ELETTROVALVOLE FILTRI	ELECTROVALVE FILTER ASSEMBLY	ELECTROVENTIL - FILTER GRUPPE	GROUPE ELECTROVALVES - FILTRES	GRUPO ELECTROVALVULAS – FILTROS	TAV.6A
GRUPPO FRENO E CARICABATTERIE	BRAKE ASSEMBLY AND CHARGER	BREMSE GRUPPE UND LADEGERÄT	GROUPE FREIN ET CHARGEUR DE BATTERIES	GRUPO FRENO Y CARGABATERIAS	TAV. 7
PARTI IMPIANTO ELETTRICO	ELECTRICAL WIRING PARTS	ELEKTRISCHE ANLAGE TEILE	COMPOSANTS CIRCUIT ELECTRIQUE	COMPONENTES SISTEMA ELECTRICO	TAV.8
PARTICOLARI VERSIONE E51-V1-BASE M510-V1-BASE	E51-V1-BASE M510-V1-BASE VERSION COMPONENTS	E51-V1-BASE M510-V1-BASE VERSION BAUELEMENTE	COMPOSANTS VERSION E51-V1-BASE M510-V1-BASE	COMPONENTES VERSION E51-V1-BASE M510-V1-BASE	TAV.9

SCHEMI ELETTRICI-WIRING DIAGRAMS-ELEKTRISCHE SCHALTPLÄNE-SCHÉMAS ÉLECTRIQUES- DIAGRAMAS ELECTRICOS

SCHEMA IMPIANTO ELETTRICO E51-V1-BASE M510-V1-BASE	VERSION WIRING DIAGRAM E51-V1-BASE M510-V1-BASE	VERSION ELEKTRISCHER SCHALTPLAN E51-V1-BASE M510-V1-BASE	SCHEMA ELECTRIQUE VERSION E51-V1-BASE M510-V1-BASE	ESQUEMA ELECTRICO VERSION E51-V1-BASE M510-V1-BASE	TAV. 10
SCHEMA IMPIANTO ELETTRICO E51-V2-TRAC M510-V2-TRAC	VERSION WIRING DIAGRAM E51-V2-TRAC M510-V2-TRAC	VERSION ELEKTRISCHER SCHALTPLAN E51-V2-TRAC M510-V2-TRAC	SCHEMA ELECTRIQUE VERSION E51-V2-TRAC M510-V2-TRAC	ESQUEMA ELECTRICO VERSION E51-V2-TRAC M510-V2-TRAC	TAV. 11 TAV.11A
SCHEMA IMPIANTO ELETTRICO E51-V3-ECO M510-V3-ECO	VERSION WIRING DIAGRAM E51-V3-ECO M510-V3-ECO	VERSION ELEKTRISCHER SCHALTPLAN E51-V3-ECO M510-V3-ECO	SCHEMA ELECTRIQUE VERSION E51-V3-ECO M510-V3-ECO	ESQUEMA ELECTRICO VERSION E51-V3-ECO M510-V3-ECO	TAV. 12 TAV.12A TAV.12B
SCHEMA IMPIANTO ELETTRICO E61-V2-TRAC M610-V2-TRAC	VERSION WIRING DIAGRAM E61-V2-TRAC M610-V2-TRAC	VERSION ELEKTRISCHER SCHALTPLAN E61-V2-TRAC M610-V2-TRAC	SCHEMA ELECTRIQUE VERSION E61-V2-TRAC M610-V2-TRAC	ESQUEMA ELECTRICO VERSION E61-V2-TRAC M610-V2-TRAC	TAV. 13 TAV.13A
SCHEMA IMPIANTO ELETTRICO E61-V3-ECO M610-V3-ECO	VERSION WIRING DIAGRAM E61-V3-ECO M610-V3-ECO	VERSION ELEKTRISCHER SCHALTPLAN E61-V3-ECO M610-V3-ECO	SCHEMA ELECTRIQUE VERSION E61-V3-ECO M610-V3-ECO	ESQUEMA ELECTRICO VERSION E61-V3-ECO M610-V3-ECO	TAV. 14 TAV. 14A TAV. 14B

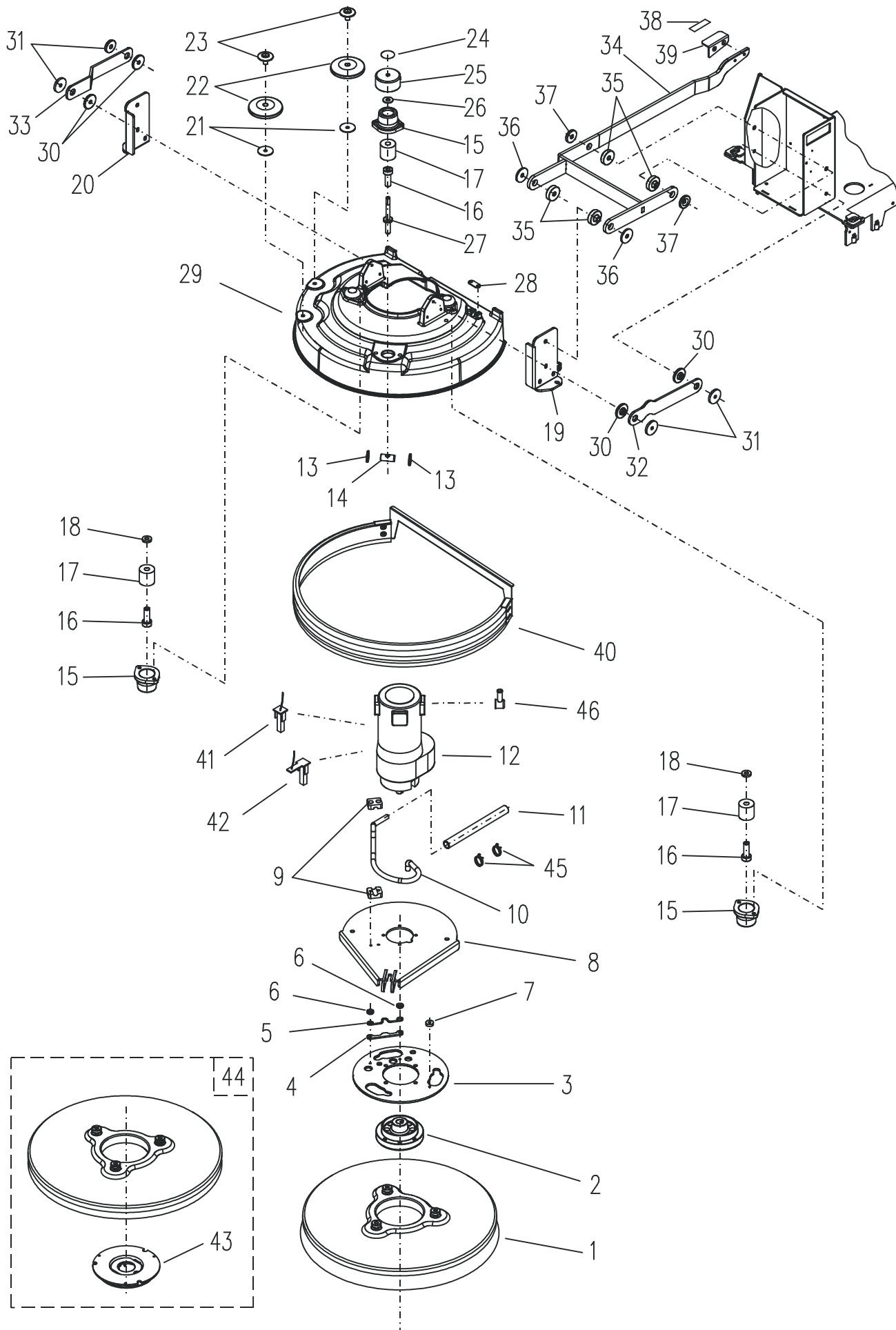
DATA ULTIMO AGGIORNAMENTO : 20-01-10**DATE OF THE LAST UPDATE : 20-01-10**

SPECIFICHE TECNICHE LAVAPAVIMENTI

SPECIFICHE TECNICHE LAVAPAVIMENTI					
CARATTERISTICHE TECNICHE	MODELLO				
	E51-V1-BASE	E51-V2-TRAC	E51-V3-ECO	E61-V2-TRAC	E61-V3-ECO
	M510-V1-BASE	M510-V2-TRAC	M510-V3-ECO	M610-V2-TRAC	M610-V3-ECO
LARG. PISTA DI PULIZIA CON SPAZZOLA	mm 530	mm 530	mm 530	mm 610	mm 610
PRESSIONE SPAZZOLA	Kg 25	Kg 25	Kg 25	Kg 25	Kg 25
CAPIENZA SERBATOIO ACQUA PULITA - ACQUA SPORCA	Lt 40 - Lt 56	Lt 40 - Lt 56	Lt 40 - Lt 56	Lt 40 - Lt 56	Lt 40 - Lt 56
CAPACITA' DI LAVORO	m2/h 1855	m2/h 2120	m2/h 2120	m2/h 2440	m2/h 2440
PESO MACCHINA (CON CARICABATTERIE A BORDO SENZA BATTERIE)	Kg 120	Kg 126	Kg 126	Kg 134	Kg 134
DIMENSIONI MACCHINA (SENZA TERGIPAVIMENTO)	mm 1317x555 H=1110	mm 1317x555 H=1110	mm 1317x555 H=1110	mm 1301x630 H=1110	mm 1301x630 H=1110
LARGHEZZA TERGIPAVIMENTO	mm 830	mm 830	mm 830	mm 830	mm 830
DIAMETRO SPAZZOLE , TRASCINATORI E N° GIRI	mm 530/510 - rpm 160	mm 530/510 - rpm 160	mm530/ 510 - rpm 160	2 X mm310/ 305 - rpm 190	2 Xmm310/ 305 - rpm 190
MOTORIDUTTORE X SPAZZOLA / E	V/Watt 24/520 X 1	V/Watt 24/520 X 1	V/Watt 24/520 X 1	V/Watt 24/300 X 2	V/Watt 24/300 X 2
POMPA DOSAGGIO ACQUA			V/Watt 24/120		V/Watt 24/120
MOTORE ASPIRAZIONE	V/Watt 24/480	V/Watt 24/480	V/Watt 24/480	V/Watt 24/480	V/Watt 24/480
DEPRESSIONE MOTORE ASPIRAZIONE	mm / H2O 1250	mm / H2O 1250	mm / H2O 1250	mm / H2O 1250	mm / H2O 1250
TIPO DI TRAZIONE	MECCANICA	ELETTRONICA	ELETTRONICA	ELETTRONICA	ELETTRONICA
MOTORE TRAZIONE CON DIFFERENZIALE		V/Watt 24/180	V/Watt 24/180	V/Watt 24/180	V/Watt 24/180
RUOTE ANTERIORI IN PU CON FRENO	Ø 200 X 50	Ø 200 X 50	Ø 200 X 50	Ø 200 X 50	Ø 200 X 50
VELOCITA' MAX MARCIA AVANTI - INDIETRO	Km/h 3,5 AVANTI	Km/h 4 - Km/h 1,5	Km/h 4 - Km/h 1,5	Km/h 4 - Km/h 1,5	Km/h 4 - Km/h 1,5
PENDENZA MASSIMA SUPERABILE (CON SERBATOIO VUOTO)	2%	20%	20%	20%	20%
BATTERIE INSTALLABILI 2 AL PIOMBO / ACIDO 12V (158A IN C20) / (110A IN C5)	mm 345X170X285h Kg 36 cad.	mm 345X170X285h Kg 36 cad.	mm 345X170X285h Kg 36 cad.	mm 345X170X285h Kg 36 cad.	mm 345X170X285h Kg 36 cad.
BATTERIE INSTALLABILI 2 AL GEL 12V (105A IN C5)	mm 345X170X285h Kg 40 cad.	mm 345X170X285h Kg 40 cad.	mm 345X170X285h Kg 40 cad.	mm 345X170X285h Kg 40 cad.	mm 345X170X285h Kg 40 cad.

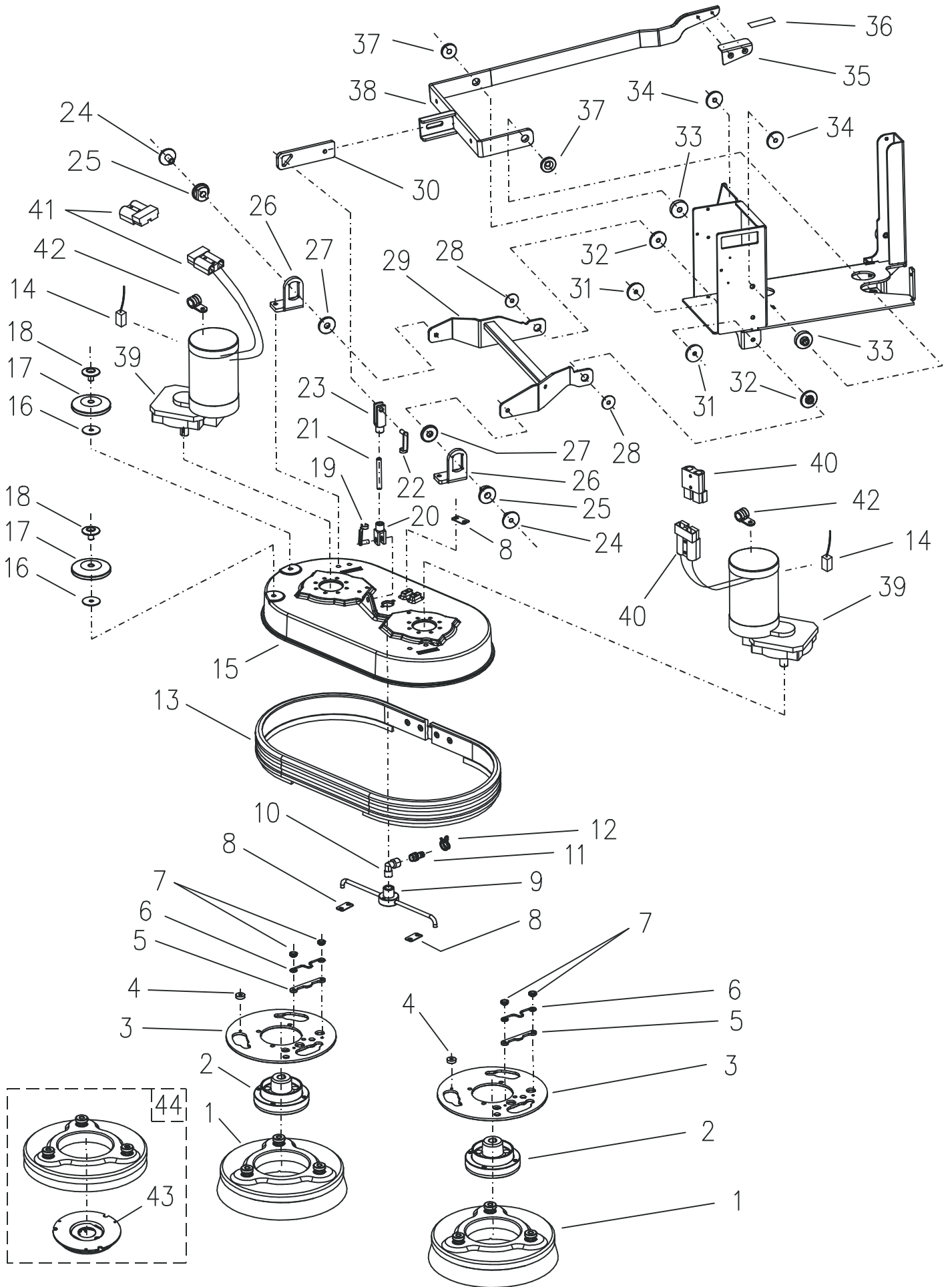
TECHNICAL SPECIFICATIONS SCRUBBER-DRYERS

TECHNICAL SPECIFICATIONS SCRUBBER-DRYERS					
TECHNICAL SPECIFICATIONS	MODEL				
	E51-V1-BASE	E51-V2-TRAC	E51-V3-ECO	E61-V2-TRAC	E61-V3-ECO
	M510-V1-BASE	M510-V2-TRAC	M510-V3-ECO	M610-V2-TRAC	M610-V3-ECO
SCRUBBING WIDTH WITH BRUSH	mm 530	mm 530	mm 530	mm 610	mm 610
BRUSH PRESSURE	Kg 25	Kg 25	Kg 25	Kg 25	Kg 25
CAPACITY OF SOLUTION TANK – RECOVERY TANK	Lt 40 - Lt 56	Lt 40 - Lt 56	Lt 40 - Lt 56	Lt 40 - Lt 56	Lt 40 - Lt 56
PRODUCTIVITY	Sq/m/h 1855	Sq/m/h 2120	Sq/m/h 2120	Sq/m/h 2440	Sq/m/h 2440
WEIGHT(with on-board battery charter, without batteries)	Kg 120	Kg 126	Kg 126	Kg 134	Kg 134
SIZE (without squeegee)	mm 1317x555 H=1110	mm 1317x555 H=1110	mm 1317x555 H=1110	mm 1301x630 H=1110	mm 1301x630 H=1110
SQUEEGEE WIDTH	mm 830	mm 830	mm 830	mm 830	mm 830
BRUSH / PAD DIAMETER , RPM	mm 530/510 - rpm 160	mm 530/510 - rpm 160	mm530/ 510 - rpm 160	2 X mm310/ 305 - rpm 190	2 Xmm310/ 305 - rpm 190
REDUCTION MOTOR FOR BRUSH/ES	V/Watt 24/520 X 1	V/Watt 24/520 X 1	V/Watt 24/520 X 1	V/Watt 24/300 X 2	V/Watt 24/300 X 2
WATERFLOW ADJUST PUMP			V/Watt 24/120		V/Watt 24/120
VACUUM MOTOR	V/Watt 24/480	V/Watt 24/480	V/Watt 24/480	V/Watt 24/480	V/Watt 24/480
NEGATIVE PRESSURE, VACUUM MOTOR	mm / H2O 1250	mm / H2O 1250	mm / H2O 1250	mm / H2O 1250	mm / H2O 1250
DRIVE	MECHANICAL	ELECTRONIC	ELECTRONIC	ELECTRONIC	ELECTRONIC
DRIVE MOTOR WITH DIFFERENTIAL		V/Watt 24/180	V/Watt 24/180	V/Watt 24/180	V/Watt 24/180
POLYURETHANE FRONT WHEEL WITH BRAKE	Ø 200 X 50	Ø 200 X 50	Ø 200 X 50	Ø 200 X 50	Ø 200 X 50
MAX FWD/REV SPEED	Km/h 3,5 FWD	Km/h 4 - Km/h 1,5	Km/h 4 - Km/h 1,5	Km/h 4 - Km/h 1,5	Km/h 4 - Km/h 1,5
MAX GRADIENTS (empty tank)	2%	20%	20%	20%	20%
RECOMMENDED BATTERIES: 2 pcs 12V (158A IN C20) / (110A IN C5)	mm 345X170X285h Kg 36 each	mm 345X170X285h Kg 36 each	mm 345X170X285h Kg 36 each	mm 345X170X285h Kg 36 each	mm 345X170X285h Kg 36 each
RECOMMENDED BATTERIES: 2 GEL TYPE 12V (105A IN C5)	mm 345X170X285h Kg 40 each	mm 345X170X285h Kg 40 each	mm 345X170X285h Kg 40 each	mm 345X170X285h Kg 40 each	mm 345X170X285h Kg 40 each



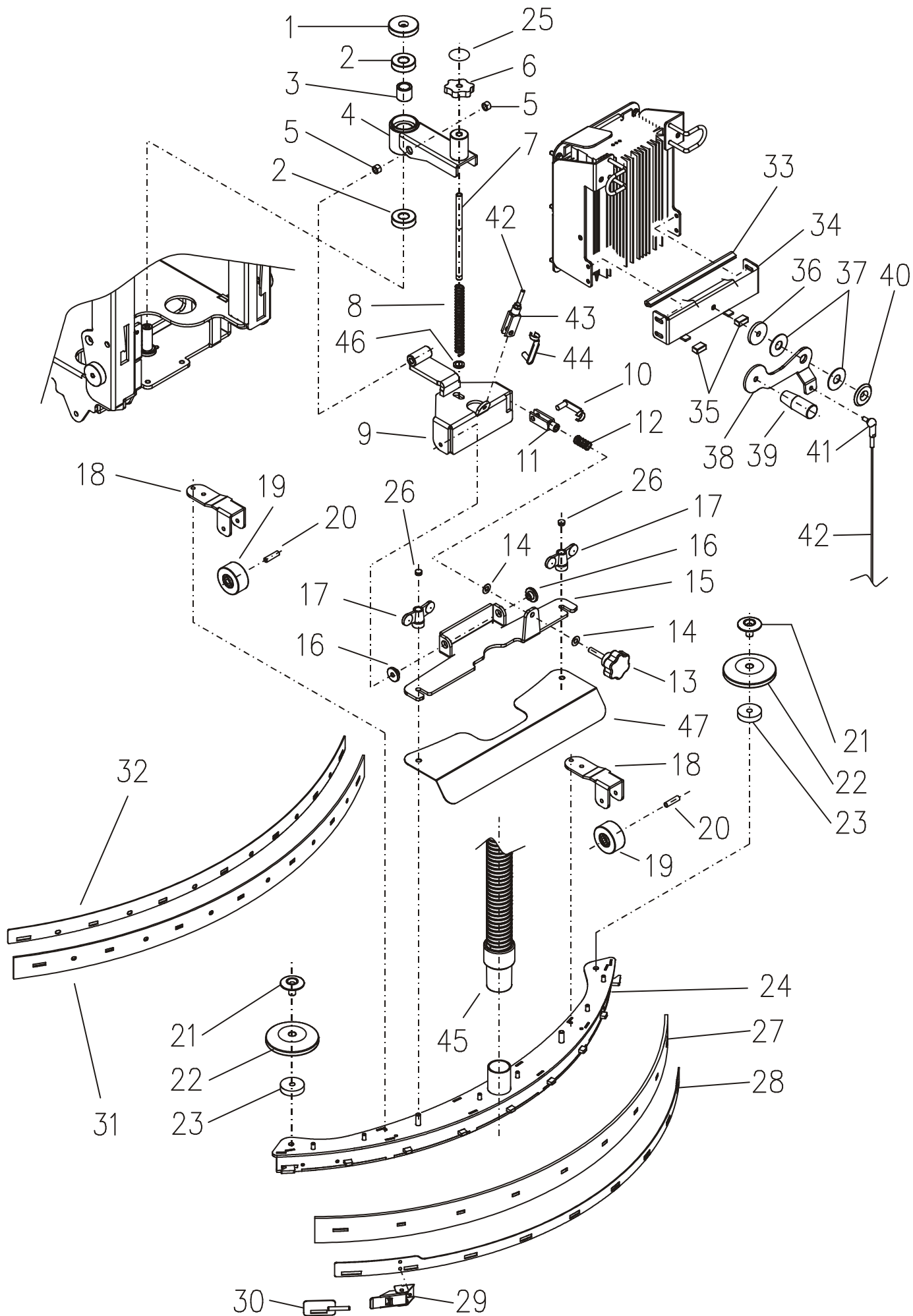
**GRUPPO PIATTO MONOSPAZZOLA – SINGLE BRUSH PLATE ASSEMBLY –
EINZEL BÜRSTE PLATE GRUPPE – GROUPE PLATINE MONOBROSSE –
GRUPO PLATINA MONOCEPILLO**

N°	Codice N° Part. No. Code Nr.	Quantità Quantity Anzahl	Descrizione	Description	Bezeichnung	Description	Descripción
1	520077	1	Spazzola ppl Ø0.9	Brush in ppl Ø0.9	Bürste aus PPL Ø0.9	Brosse en ppl Ø0.9	Cepillo en ppl Ø0.9
	520078	1	Spazzola tinex Ø1.2	Brush Tinex Ø1.2	Bürste Tinex Ø1.2	Brosse Tinex Ø1.2	Cepillo Tinex Ø1.2
2	230082	1	Mozzo	Hub	Nabe	Moyeu	Cubo
3	110601	1	Disco	Disc	Scheibe	Disque	Disco
4	200071	1	Spessore molla	Spring shim	Feder Beilagering	Epaisseur ressort	Espesor muelle
5	550073	1	Molla spazzola	Brush spring	Bürste Feder	Ressort brosse	Muelle cepillo
6	210391	2	Boccola molla	Spring bush	Feder Büchse	Bague de la brosse	Casquillo muelle
7	200079	1	Disco	Disc	Scheibe	Disque	Disco
8	120619	1	Piatto motore	Engine plate	Motor Platte	Support moteur	Soporte motor
9	580217	1	Collare ferma tubo	Collar	Bund	Collet	Collar
10	900637	1	Tubo rame	Copper Hose	Kupferrohr	Tuyau en cuivre	Tubo de cobre
11	M30289	M 0,55	Tubo Ø12	Hose Ø12	Rohr Ø12	Tuyau Ø12	Tubo Ø12
12	610044	1	Motoriduttore	Motor reducer	Getriebemotor	Motoreducteur	Motorreductor
13	730096	2	Rondella in plastica	Plastic washer	Scheibe aus Plastik	Rondelle en plastique	Rondana de plástico
14	110617	1	Barilotto	Pivot	Drehpunkt	Boulon	Perno
15	210418	3	Bussola	Bush	Buchse	Douille	Casquillo
16	210397	3	Bussola interna	Internal Bush	Innere Buchse	Douille intérieure	Casquillo interno
17	550071	3	Antivibrante	Shock absorber	Stoßdämpfer	Amortisseur	Amortiguador
18	200076	2	Disco	Disc	Scheibe	Disque	Disco
19	110598	1	Staffa destra	Bracket- right	Bügel – rechts	Etrier droit	Patilla derecha
20	110597	1	Staffa sinistra	Bracket –Left	Bügel – links	Etrier gauche	Patilla izquierda
21	200081	2	Distanziale	Spacer	Abstandbüchse	Entretoise	Riostra
22	330142	2	Disco paracolpi	Disc	Scheibe	Disque pare-chocs	Disco parachoques
23	210410	2	Bussola	Bush	Buchse	Bague	Casquillo
24	510409	1	Etichetta	Sticker	Aufkleber	Autocollant	Pegatina
25	210401	1	Pomello	Handle	Knopf	Guidon	Manillar
26	200085	1	Rondella	Washer	Scheibe	Rondelle	Rondana
27	210398	1	Perno regolazione	Adjustment pin	Regulierung Stift	Pivot de réglage	Perno de ajuste
28	200080	1	Piastrina	Plate	Platte	Plaque	Placa
29	190004	1	Piatto	Plate	Platte	Platine	Platina
30	210406	4	Boccola distanziale	Spacer bush	Abstandbüche	Bague entretoise	Casquillo riostra
31	730048	4	Rondella	Washer	Scheibe	Rondelle	Rondana
32	200084	1	Braccio sx	Arm - left	Linker Ausleger	Levier gauche	Palanca izquierda
33	110599	1	Braccio dx	Arm - right	Rechter Ausleger	Levier droite	Palanca derecha
34	120618	1	Leva sollevamento	Lifting lever	Aufhebung Hebel	Levier oulèvement	Palanca de levantamiento
35	210419	4	Distanziale leva	Lever spacer	Hebel Abstandbüchse	Levier entretoise	Riostra palanca
36	730049	2	Rondella	Washer	Scheibe	Rondelle	Rondana
37	210233	2	Rondella	Washer	Scheibe	Rondelle	Rondana
38	M30175	M 0,07	Antiscivolo	Anti-slide	Gleitschutz	Antidérapant	Antideslizante
39	120605	1	Pedale	Pedal	Pedal	Pédale	Pedal
40	900622	1	Paraspruzzi compl.	Splash guard	Spritzgummi	Garde-boue	Parasalpicaduras
41	640259	2	Carboncino T.corto	Carbon	Kohle	Charbon	Escobilla
42	640258	2	Carboncino T.lungo	Carbon	Kohle	Charbon	Escobilla
43	520084	1	Blocca disco	Locking Disc	Blockierung Scheibe	Fixation disque	Bloqueo disco
44	520079	1	Disco trascinatore	Pad holder	Bremsbelaghalter	Disque de remorquage	Disco de remolque
45	580229	2	Fascetta	Clamp	Streifband	Collier	Abrazadera
46	640119	2	Cappuccio	Cap	Kappe	Corne	Capacete

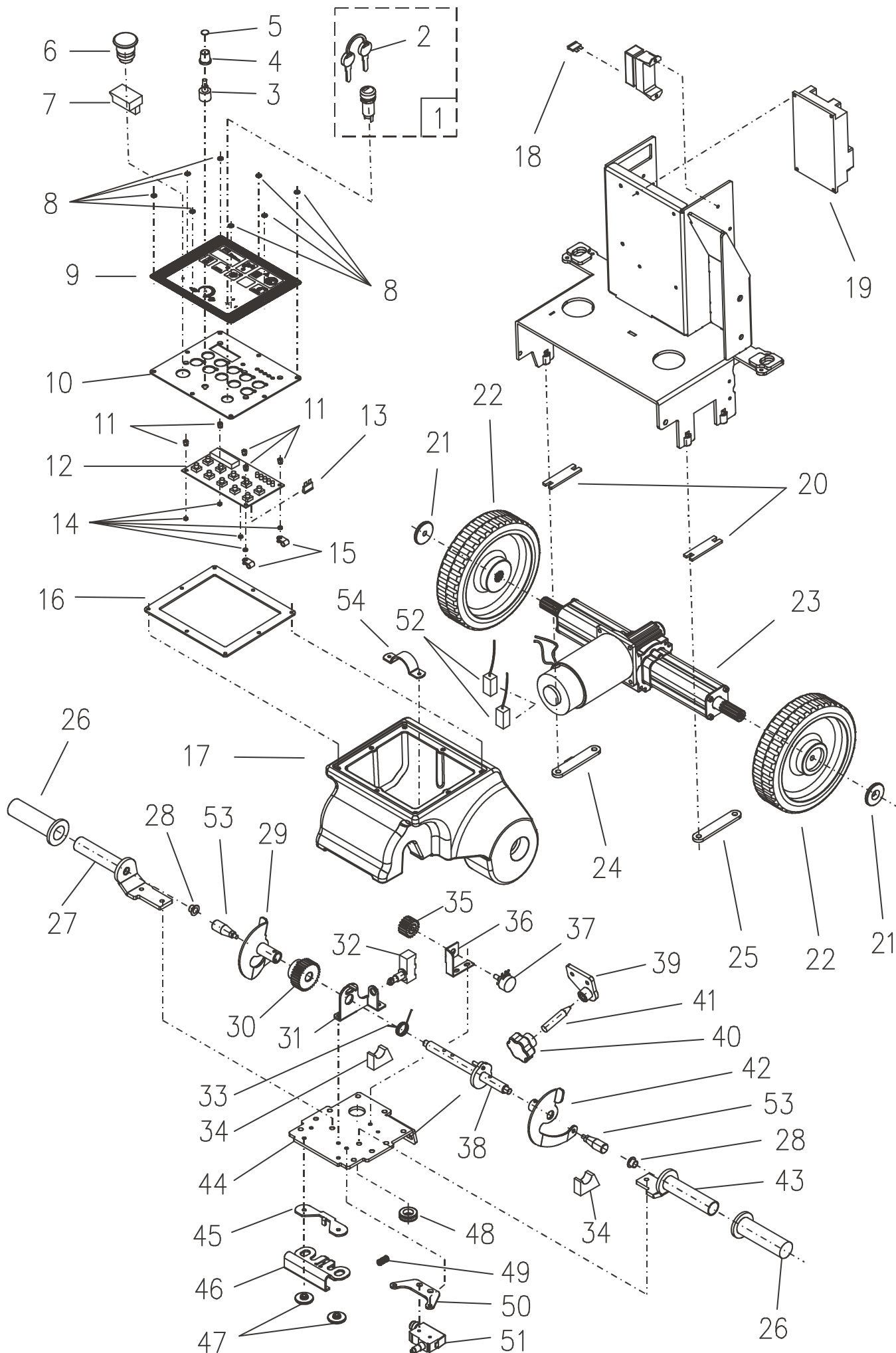


**GRUPPO PIATTO DOPPIA SPAZZOLA – TWIN BRUSH PLATE ASSEMBLY –
ZWEITE BÜRSTE GRUPPE – GROUPE PLATINE DOUBLE BROSSE –
GRUPO PLATINA DOBLE CEPILLO**

N°	Codice N° Part. No. Code Nr.	Quantità Quantity Anzahl	Descrizione	Description	Bezeichnung	Description	Descripción
1	520080	2	Spazzola ppl Ø0.6	Brush in ppl Ø0.6	Bürste aus PPL Ø0.6	Brosse en ppl Ø0.6	Cepillo en ppl Ø0.6
	520081	2	Spazzola tinex Ø1.2	Brush tinex Ø1.2	Bürste tinex Ø1.2	Brosse Tinex Ø1.2	Cepillo Tinex Ø1.2
2	230083	2	Mozzo	Hub	Nabe	Moyeu	Cubo
3	110601	2	Disco	Disc	Scheibe	Disque	Disco
4	200079	2	Disco	Disc	Scheibe	Disque	Disco
5	200071	2	Spessore	Shim	Beilagering	Epaisse	Espesor
6	550073	2	Molla spazzola	Brush spring	Bürste Feder	Ressort brosse	Muelle cepillo
7	210391	4	Boccola molla	Spring bush	Fixierung Büchse	Douille ressort	Casquillo muelle
8	200087	3	Piastrina	Plate	Platte	Plaque	Placa
9	900639	1	Blocchetto distribuzione	Distribution block	Verteilung Block	Cheville distribution	Clavija distribución
10	680287	1	Curva a 90° M/F 3/8"	Curve 90° M/F 3/8"	Kurve 90° M/F 3/8"	Courbe 90° 3/8"	Curva 90° M/H 3/8"
11	680288	1	Portagomma	Connector hose	Verbindungs- Schlauch	Porte-gomme	Portagoma
12	580229	1	Fascetta	Clamp	Streifband	Collier	Abrazadera
13	900634	1	Paraspruzzi compl.	Splash guard	Spritzgummi	Garde-boue	Parasapilcaduras
14	640257	4+4	Carboncino	Carbon	Kohle	Charbon	Escobilla
15	190005	1	Piatto	Plate	Platte	Platine	Platina
16	200081	2	Distanziale	Spacer	Abstandbüchse	Entretoise	Riostra
17	330142	2	Disco paracolpi	Disc	Scheibe	Roues pare-chocs	Rueda antichocs
18	210410	2	Bussola	Bush	Buchse	Douille	Casquillo
19	580216	1	Clip	Clip	Klammer	Clip	Clip
20	580215	1	Forcella	Fork	Gabelkopf	Fourche	Horquilla
21	110602	1	Barra sollevamento	Lifting bar	Aufhebung Stange	Barre de soulèvement	Barra de levantamiento
22	580084	1	Clip	Clip	Klammer	Clip	Clip
23	580083	1	Forcella	Fork	Gabelkopf	Fourche	Horquilla
24	210416	2	Distanziale	Spacer	Abstandbüchse	Entretoise	Riostra
25	210408	2	Distanziale	Spacer	Abstandbüchse	Entretoise	Riostra
26	110603	2	Staffa	Bracket	Bügel	Etrier	Estribo
27	210409	2	Distanziale	Spacer	Scheibe	Entretoise	Riostra
28	730048	2	Rondella	Washer	Scheibe	Rondelle	Rondana
29	120620	1	Supporto piatto	Plate support	Platte Halterung	Support plaque	Soporte platina
30	200086	1	Leva	Lever	Hebel	Levier	Palanca
31	730042	2	Rondella	Washer	Scheibe	Rondelle	Rondana
32	210406	2	Distanziale	Spacer	Abstandbüchse	Entretoise	Riostra
33	210419	2	Distanziale	Spacer	Abstandbüchse	Entretoise	Riostra
34	730023	2	Rondella	Washer	Scheibe	Rondelle	Rondana
35	120605	1	Pedale	Pedal	Pedal	Pédale	Pedal
36	M30175	M 0,07	Antiscivolo	Anti-slip	Gleitschutz	Antidérapant	Antideslizante
37	210233	2	Distanziale	Spacer	Abstandbüchse	Rondelle	Rondana
38	120621	1	Leva	Lever	Hebel	Levier	Palanca
39	610043	2	Motoriduttore	Motor reducer	Getriebemotor	Motorréducteur	Motorreductor
40	640140	2	Connettore rosso	Connector- red	Stecker-Rot	Connecteur-rouge	Conector-rojo
41	640003	2	Connettore grigio	Connector- grey	Stecker-Grau	Connecteur-gris	Conector-gris
42	640162	2	Fascetta	Clamp	Streifband	Collier	Abrazadera
43	520084	1	Blocca disco	Lock pad	Blockierung Schleifpad	Blocage disque	Bloqueo disco
44	520082	1	Disco trascinatore	Pad holder	Hilfspreser	Disque de remorquage	Disco de remolque

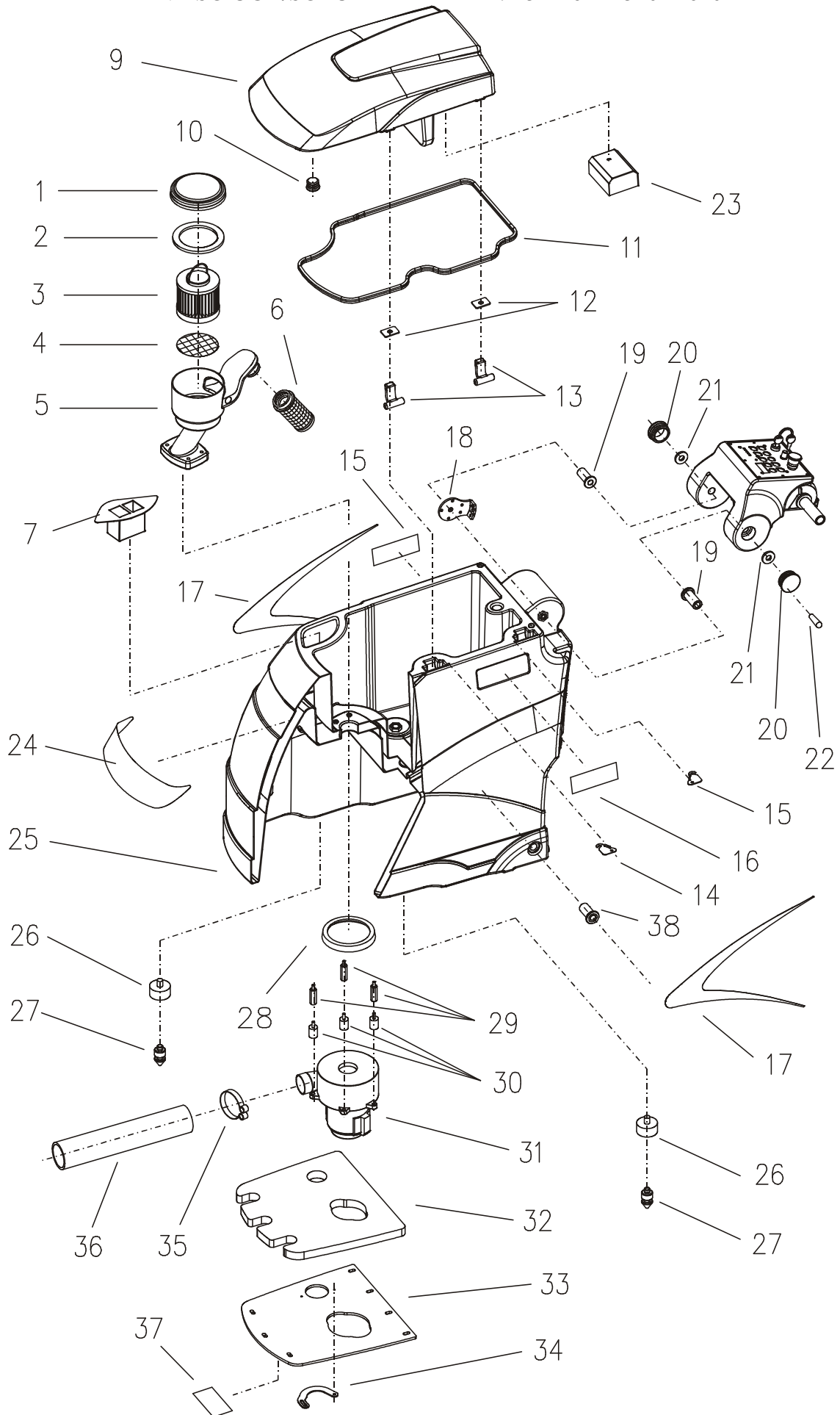


GRUPPO TERGIPAVIMENTO- SQUEEGEE GROUP – SAUGFUSSGRUPPE – ENSEMBLE DE SUCEUR – GRUPO LIMPIAPAVIMENTO							
N°	Codice N° Part. No. Code Nr.	Quantità Quantity Anzahl	Descrizione	Description	Bezeichnung	Description	Descripción
1	210411	1	Disco	Disc	Scheibe	Rondelle de fixation support	Rondana de bloqueo soporte
2	410016	2	Cuscinetto	Bearing	Lager	Palier	Cojinete
3	210403	1	Distanziale	Spacer	Abstandbüchse	Entretoise paliers	Riostra cojinetes
4	130297	1	Supporto	Support	Halterung	Support	Soporte
5	210389	2	Distanziale	Spacer	Abstandbüchse	Entretoise	Riostra
6	110596	1	Pomello	Ball grip	Handgriff	Bouton	Pomo
7	210390	1	Perno	Pin	Stift	Boulon	Perno
8	550077	1	Molla	Spring	Feder	Ressort	Resorte
9	130298	1	Supporto oscillante	Support	Halterung	Support oscillant	Soporte oscilante
10	580086	1	Clip forcella	Fork clip	Gabelfork Klammer	Clip fourche	Clip horquilla
11	580085	1	Forcella	Fork	Gebllkopf	Fourche	Horquilla
12	550078	1	Molla	Spring	Feder	Ressort	Resorte
13	330136	1	Volantino	Handwheel	Handrad	Volant	Volante
14	730103	2	Rondella ottone	Brass washer	Messingscheibe	Rondelle en cuivre	Rondana de latón
15	120606	1	Staffa tergi	Squeegee bracket	Saugfuss Bügel	Etrier suceur	Estribo limpiapavimento
16	210388	2	Bussola	Bush	Buchse	Douille	Casquillo
17	330138	2	Volantino	Handwheel	Handrad	Volant	Volante
18	110574	2	Supporto ruote	Wheel support	Rad Halterung	Support roues	Soporte ruedas
19	440044	2	Ruota	Wheel	Rad	Roue	Ruedas
20	110587	2	Distanziale ruote	Wheel spacer	Rad Abstandbüchse	Entretoise roues	Riostra ruedas
21	210410	2	Bussola	Bush	Buchse	Douille	Casquillo
22	330142	2	Paracolpi	Bumper	Stoßfänger	Pare-chocs	Parachoque
23	200068	2	Rondella	Washer	Scheibe	Rondelle	Rondana
24	900631	1	Corpo tergi	Squeegee assembly	Saugfuss Gruppe	Groupe suceur	Cuerpo limpiapavimentos
25	510410	1	Etichetta	Label	Aufkleber	Etiquette	Etiqueta
26	330139	2	Tappo	Cap	Pfropfen	Bouchon	Tapón
27	360346	1	Lama linatex Sp=5mm	Blade Linatex Thickness 5 mm	Klinge aus Linatex Dicke 5 mm	Lame en linatex Epaisseur 5 mm	Lámina de linatex Espesor 5mm
	360374	1	Lama Linatex Sp=3mm, solo per E51-V1-BASE M510-V1-BASE	Blade Linatex Thickness 3mm - only for E51-V1-BASE M510-V1-BASE	Klinge aus Linatex Dicke 3 mm- nur für E51-V1-BASE M510-V1-BASE	Lame en linatex Epaisseur 3 mm – pour E51-V1-BASE M510-V1-BASE	Lámina de linatex Espesor 3 mm-solo E51-V1-BASE M510-V1-BASE
	360348	1	Lama poliuretano	Blade in Polyurethane	Klinge aus Polyurethan	Lame en polyuréthane	Lámina de poliuretano
28	200070	1	Lamierino	Sheet metal	Blech	Plaque	Placa
29	580218	1	Leva fissaggio	Fixing lever	Fixierungshebel	Levier de blocage	Palanca bloqueo
30	120617	1	Aggancio	Hook	Haken	Crochet	Gancho
31	360349	1	Lama linatex	Blade in linatex	Klinge aus linatex	Lame en linatex	Lámina en linatex
	360347	1	Lama in poliuretano	Blade in Polyurethan	Klinge aus Polyurethan	Lame en polyuréthane	Lámina de poliuretano
32	200069	1	Lamierino	Sheet metal	Blech	Plaque	Placa
33	M30027	M 0,2	Profilo in gomma	Rubber profile	Gummi Profil	Profil en aoutchouc	Perfil de goma
34	110582	1	Supporto leva	Lever support	Hebelhalterung	Support levier	Soporte palanca
35	330137	2	Gommino	Rubber	Gummi	Bavette	Goma
36	200075	1	Distanziale	Spacer	Abstandbüchse	Entretoise	Riostra
37	210383	2	Rondella in ottone	Brass washer	Messingscheibe	Rondelle en cuivre	Mondana de latón
38	110583	1	Leva sollevamento	Lifting lever	Aufhebungshebel	Levier Soulèvement	Palanca levantamiento
39	330031	1	Pomello	Ball grip	Handgriff	Bouton	Pomo
40	210415	1	Distanziale leva	Lever spacer	Hebel Abstandbüchse	Entretoise levier	Riostra palanca
41	580022	1	Snodo fune	Joint	Gelenk	Joint câble	Articulación cable
42	560062	1	Fune sollevamento	Lifting rope	Aufhebungsseil	Câble soulèvement	Cable levantamiento
43	580012	1	Forcella	Fork	Gabelfork	Fourche	Horquilla
44	580164	1	Clip forcella	Fork clip	Gabelfork Klammer	Clip fourche	Clip horquilla
45	680297	1	Tubo aspirazione	Vacuum hose	Vakuumschlauch	Tuyau aspiration	Tubo aspiración
46	730104	1	Rondella ottone	Brass washer	Messingscheibe	Rondelle cuivre	Rondana de latón
47	110622	1	Paraspruzzi tergi	Squeegee splash guard	Spritzgummi Saugfuss	Para éclaboussure suceur	Parasapilcaduras limpiapavimento



**GRUPPO TRAZIONE – DRIVE ASSEMBLY – ANTRIEBSGRUPPE-
GROUPE DE TRACTION – GRUPO TRACCION**

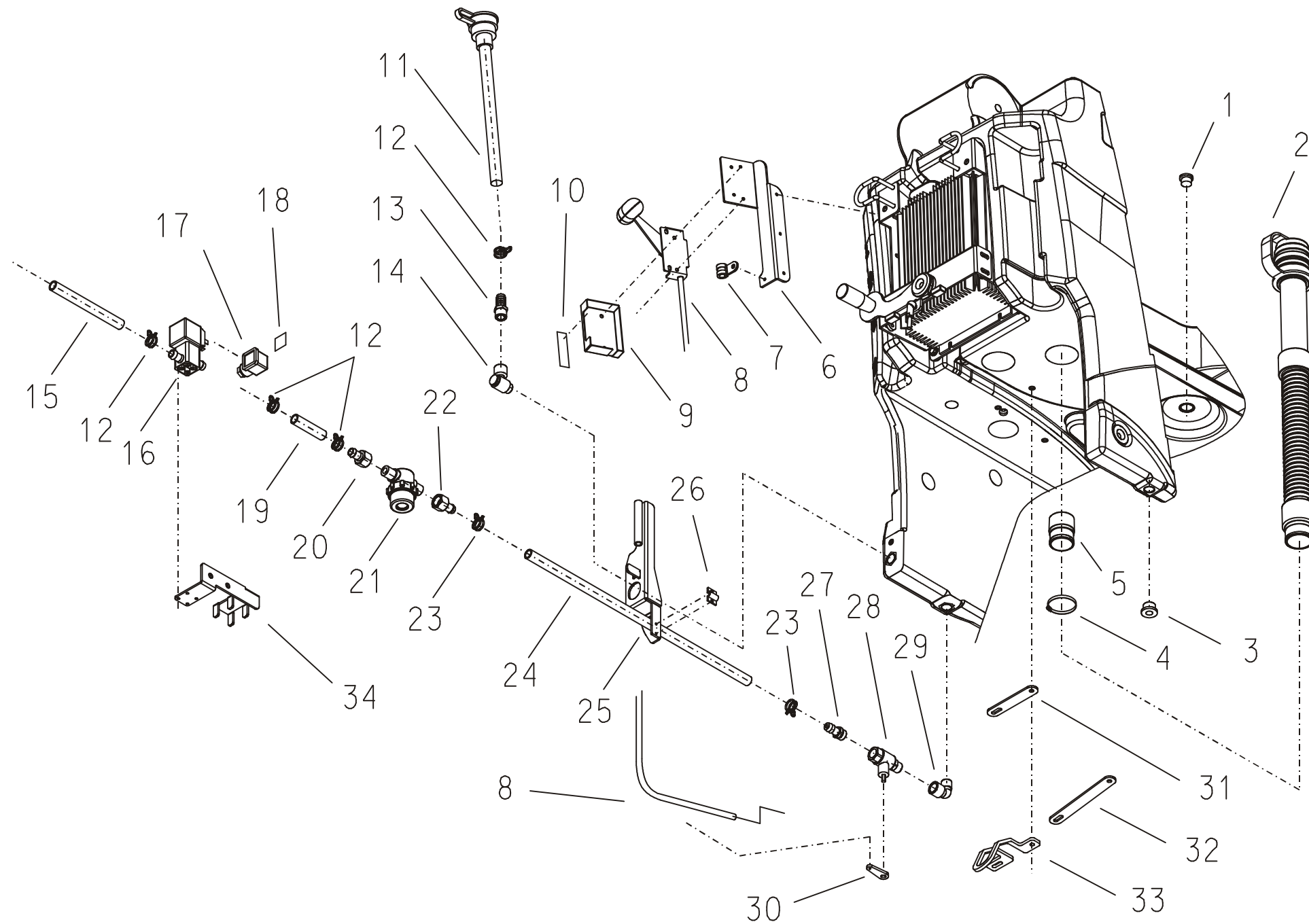
N°	Codice N° Part. No. Code Nr.	Quantità Quantity Anzahl	Descrizione	Description	Bezeichnung	Description	Descripción
1	660070	1	Blocchetto completo	Keys assembly	Schlußel Gruppe	Cheville clés	Clavija llaves
2	660072	1	Solo chiavi	Couple of keys	Paar von Schlußel	Paire de clés	Pareja llaves
3	650051	1	Potenziometro	Potentiometer	Potentiometer	Potentiomètre	Potenciometro
4	330144	1	Manopolina	Knob	Handgriff	Poignée	Manopla
5	330145	1	Coperchio	Cover	Deckel	Couvercle	Tapa
6	560064	1	Pulsante	Switch	Notschalter	Interrupteur	Interruptor
7	560065	1	Base pulsante	Switch base	Schalter Base	Bouton de sécurité	Base de seguridad
8	730102	8	Rondella nylon	Washer of nylon	Scheibe aus Nylon	Rondelle en nylon	Rondana de nylon
9	510397	1	Etichetta per V2-TRAC	Sticker V2-TRAC	Aufkleber V2-TRAC	Etiquette V2-TRAC	Etiqueta V2-TRAC
10	110581	1	Pannello plancia	Control board panel	Armaturen Brett Tafel	Panel tableau de contrôle	Panel cuadro de mandos
11	210394	5	Distanziale	Spacer	Abstandbüchse	Entretoise	Riostra
12	490437	1	Scheda elettr. P2 E51-M510 V2-TRAC	Electronic card P2 E51-M510 V2-TRAC	Elektronikkarte P2 E51-M510 V2-TRAC	Platine électronique P2 E51-M510 V2-TRAC	Placa electrónica P2 E51-M510 V2-TRAC
	490438	1	Scheda elettr. P3 E51-M510 V3-ECO	Electronic card P3 E51-M510 V3-ECO	Elektronikkarte P3 E51-M510 V3-ECO	Platine électronique P3 E51-M510 V3-ECO	Placa electrónica P3 E51-M510 V3-ECO
	490439	1	Scheda elettr. P4 E61-M610 V2-TRAC	Electronic card P4 E61-M610 V2-TRAC	Elektronikkarte P4 E61-M610 V2-TRAC	Platine électronique P4 E61-M610 V2-TRAC	Placa electrónica P4 E61-M610 V2-TRAC
	490440	1	Scheda elettr. P5 E61-M610 V3-ECO	Electronic card P5 E61-M610 V3-ECO	Elektronikkarte P5 E61-M610 V3-ECO	Platine électronique P5 E61-M610 V3-ECO	Placa electrónica P5 E61-M610 V3-ECO
13	640111	1	Fusibile 15A	Fuse 15A	Sicherung 15A	Fusible 15A	Fusible 15A
14	730095	5	Rondella nylon	Washer of nylon	Scheibe aus Nylon	Rondelle en nylon	Rondana de nylon
15	580226	2	Fascetta per V2-TRAC/V3-ECO	Clamp Model V2-TRAC/V3-ECO	StreifbandModell V2-TRAC/V3-ECO	Collier Modèle V2-TRAC/V3-ECO	Abrazadera Modelo V2-TRAC/V3-ECO
16	360343	1	Guarnizione	Gasket	Dichtung	Garniture	Junta
17	310313	1	Plancia GRIGIO 7040	Control board GREY 7040	Armaturen Brett GRAU 7040	Plaque GRIS 7040	Placa GRIS 7040
	310312	1	Plancia CELESTE 5021	Control board LIGHT BLUE 5021	Armaturen Brett HIMMELBLAU 5021	Plaque BLEU CLAIR 5021	Placa AZUL CELESTE 5021
18	640114	1	Fusibile 30A	Fuse 30A	Sicherung 30A	Fusible 30A	Fusible 30A
19	660063	1	Scheda trazione	Drive card	Antriebskarte	Fiche de traction	Tarjeta tracción
20	200065	2	Piatto	Plate	Platte	Platine	Platina
21	210423	2	Rondella	Washer	Scheibe	Rondelle	Rondana
22	440042	2	Ruota motrice	Drive wheel	Antriebswheel	Roue motrice	Rueda motriz
23	900625	1	Motodifferenziale	Differential motor	Differential motor	Moteur différentiel	Motor diferencial
24	200083	1	Piatto destro	Plate- Rh	Platte - rechts	Platine droite	Platina derecha
25	110571	1	Piatto sinistro	Plate- LH	Platte - links	Platine gauche	Platina izquierda
26	330131	2	Manopola	Handle	Handgriff	Poignée	Manopla
27	120610	1	Impugnatura sx	Handle - Lh	Griff -links	Poignée gauche	Empuñadura izquierdo
28	580230	2	Bussola	Bush	Buchse	Douille	Casquillo
29	120666	1	Leva sinistra	Left lever	Hebel -links	Levier gauche	Palanca izquierda
30	320021	1	Ingranaggio Z=32	Gear Z=32	Getriebe	Engrenage	Engranaje Z=32
31	110578	1	Supporto micro	Microswitch support	Mikroschalter Halterung	Support micro interrupteur	Soporte microinterruptor
32	650057	1	Microinterruttore	Microswitch	Mikroschalter	Micro interrupteur	Microinterruptor
33	550072	1	Molla	Spring	Feder	Ressort	Muelle
34	360344	2	Guarnizione	Gasket	Dichtung	Garniture	Junta
35	320022	1	Ingranaggio Z=19	Gear Z=19	Getriebe Z=19	Engrenage Z=19	Engranaje Z=19
36	110577	1	Staffa	Bracket	Bügel	Etrier	Estribo
37	650052	1	Potenziometro	Potentiometer	Potentiometer	Potentiomètre	Potenciometro
38	130300	1	Perno	Pin	Stift	Boulon	Perno
39	130301	1	Staffa volante	Handwheel bracket	Handrad Bügel	Etrier volant	Estribo volante
40	330134	1	Volantino	Handwheel	Handrad	Volant	Volante
41	210400	1	Perno	Pin	Stift	Boulon	Perno
42	120665	1	Leva destra	Right level	Hebel -rechts	Levier droite	Palanca derecha
43	120613	1	Impugnatura dx	Right handle	Griff -rechts	Poignée droite	Empuñadura derecho
44	110579	1	Piastra	Plate	Platte	Plaque	Plancha
45	110585	1	Fermamolla	Locking spring	Sperrvorrichtung	Dispositif de blocage ressort	Dispositivo de bloqueo muelle
46	110643	1	Pulsante di sicurezza	Safety switch	Sicherheitsschalter	Bouton de sécurité	Botón de seguridad
47	210395	2	Boccola di guida	Bush	Buchse	Douille guide	Casquillo de guía
48	330143	1	Passacavo	Fairled	Seilführungsrolle	Joint chaumard	Guarnición pasteca
49	550075	1	Molla	Spring	Feder	Ressort	Muelle
50	110586	1	Spessore micro	Shim	Beilagering	Epaisseur micro	Espesor micro
51	650053	1	Micro di sicurezza	Safety switch	Sicherheitsschalter	Micro sécurité	Micro de seguridad
52	640260	2	Carboncino	Carbon	Kohle	Charbon	Escobilla
53	330146	2	Manopola	Handle	Handgriff	Poignée	Manopla
54	580225	1	Fermacavo	Cable lock	Kabel Blockierung	Arrêt câble	Bloqueo cabel



GRUPPO SERBATOIO – TANK ASSEMBLY – TANK GRUPPE – GROUPE RESERVOIR – GRUPO TANQUE							
N°	Codice N° Part. No. Code Nr.	Quantità Quantity Anzahl	Descrizione	Description	Bezeichnung	Description	Descripción
1	310318	1	Coperchio filtro	Filter cover	Filter Deckel	Couvercle filtre	Tapa filtro
2	360372	1	Guarnizione	Washer	Scheibe	Garniture	Junta
3	900617	1	Filtro aspirazione	Vacuum filter	Filter Motor	Filtre aspiration	Filtro aspiración
4	200123	1	Filtro in rete	Filter	Filter	Filtre à filet	Filtro de red
5	310314	1	Supporto CELESTE 5021	Support BLUE 5021	Halterung BLAU 5021	Support BLEU 5021	Soporte AZUL 5021
	310315	1	Supporto GRIGIO 7040	Support GREY 7040	Halterung GRAU RAL 7040	Support GRIS 7040	Soporte GRIS 7040
6	520076	1	Filtro	Filter	Filter	Filtre	Filtro
7	120701	1	Filtro	Filter	Filter	Filtre	Filtro
9	310310	1	Coperchio CELESTE 5021	Cover BLUE RAL 5021	Deckel BLAU RAL 5021	Couvercle réservoir BLEU CLAIR RAL 5021	Tapa tanque AZUL CELESTE RAL 5021
	310311	1	Coperchio GRIGIO 7040	Cover GREY RAL 7040	Deckel GRAU RAL 7040	Couvercle GRIS RAL 7040	Tapa GRIS RAL 7040
10	330141	1	Tappo	Plug	Pfropfen	Bouchon	Tapón
11	340104	M 1,82	Guarnizione	Washer	Scheibe	Garniture	Junta
12	200082	2	Spessore cerniere	Hinge shim	Scharnier Beilagering	Epaisseur charnières	Espesor bisagras
13	900619	2	Tassello coperchio	Cover plug	Deckel Dübel	Dispositif couvercle	Dispositivo de tapa
14	110594	1	Piastrina anteriore	Plate - front	Platte - vorn	Plaque antérieure	Planca delante
15	110588	1	Piastrina posteriore	Plate - rear	Platte - hinter	Plaque postérieure	Planca trasera
16	510393	2	Etichetta E51	Label E51	Aufkleber E51	Autocollant E51	Etiqueta E51
	510411	2	Etichetta E61	Label E61	Aufkleber E61	Autocollant E61	Etiqueta E61
	510404	2	Etichetta M510	Label M510	Aufkleber M510	Autocollant M510	Etiqueta M510
	510412	2	Etichetta M610	Label M610	Aufkleber M610	Autocollant M610	Etiqueta M610
17	510395	1	Coppia adesivi	Label set	Paar von Aufklebern	Paire de autocollant	Pareja etiquetas
18	120612	1	Staffa regolazione	Adjust Bracket	Regulierung Bügel	Etrier réglage	Estribo ajuste
19	210413	2	Bussola rotazione	Bush	Buchse	Douille rotation	Casquillo rotación
20	330140	2	Tappo	Plug	Pfropfen	Bouchon	Tapón
21	200077	2	Distanziale	Spacer	Abstandbüchse	Entretoise	Riostra
22	330135	1	Manopola	Handle	Handgriff	Poignée	Manopla
23	310327	1	Carter paraspruzzi	Splash guard Cover	Spritzgummi Deckel	Couvercle para éclaboussure	Tapa parasapilcaduras
24	510392	1	Etichetta Eureka	Eureka label	Eureka Aufkleber	Autocollant Eureka	Etiqueta Eureka
	510406	1	Etichetta Mach Line	Mach Line label	Mach Line Aufkleber	Autocollant Mach Line	Etiqueta Mach Line
25	310308	1	Serbatoio CELESTE 5021	Tank BLUE 5021	Tank BLAU 5021	Réservoir BLEU CLAIR 5021	Tanque AZUL 5021
	310309	1	Serbatoio GRIGIO 7040	Tank GREY 7040	Tank GRAU 7040	Réservoir GRIS 7040	Tanque GRIS 7040
26	330132	2	Antivibrante	Shock Absorber	Stoßdämpfer	Anti-Vibrant	Anti-Vibraciones
27	210399	2	Pioli centraggio	Balancing pins	Abgleich Stift	Crochets équilibrage	Ganchos de equilibrado
28	AR.3901	1	Guarnizione motore	Motor gasket	Motor Dichtung	Garniture moteur aspiration	Junta motor aspiración
29	210405	3	Distanziale motore	Motor spacer	Motor Abstandbüchse	Entretoise moteur	Riostra motor
30	330133	3	Antivibrante	Shock Absorber	Stoßdämpfer	Anti-Vibrant	Anti-Vibraciones
31	900630	1	Motore aspirazione	Vacuum motor	Vakuum Motor	Moteur aspiration	Motor aspiración
32	360342	1	Pannello spugna	Soundproofing panel	Schalldämmung Panel	Panneau insonorisation	Panel insonorización
33	200101	1	Pannello chiusura	Closing panel	Verschluss Panel	Panel fermeture	Panel cierre
34	110592	1	Fermatubo	Hose locking device	Rohr Sperrvorrichtung	Dispositif de blocage tuyau	Dispositivo de bloqueo tubo
35	580108	1	Fascetta	Clamp	Streifband	Collier	Abrazadera
36	900696	1	Tubo	Hose	Rohr	Tuyau	Tubo
37	510245	1	Etichetta	Sticker	Aufkleber	Etiquette	Etiqueta
38	210404	2	Perno	Pin	Stift	Boulon	Perno

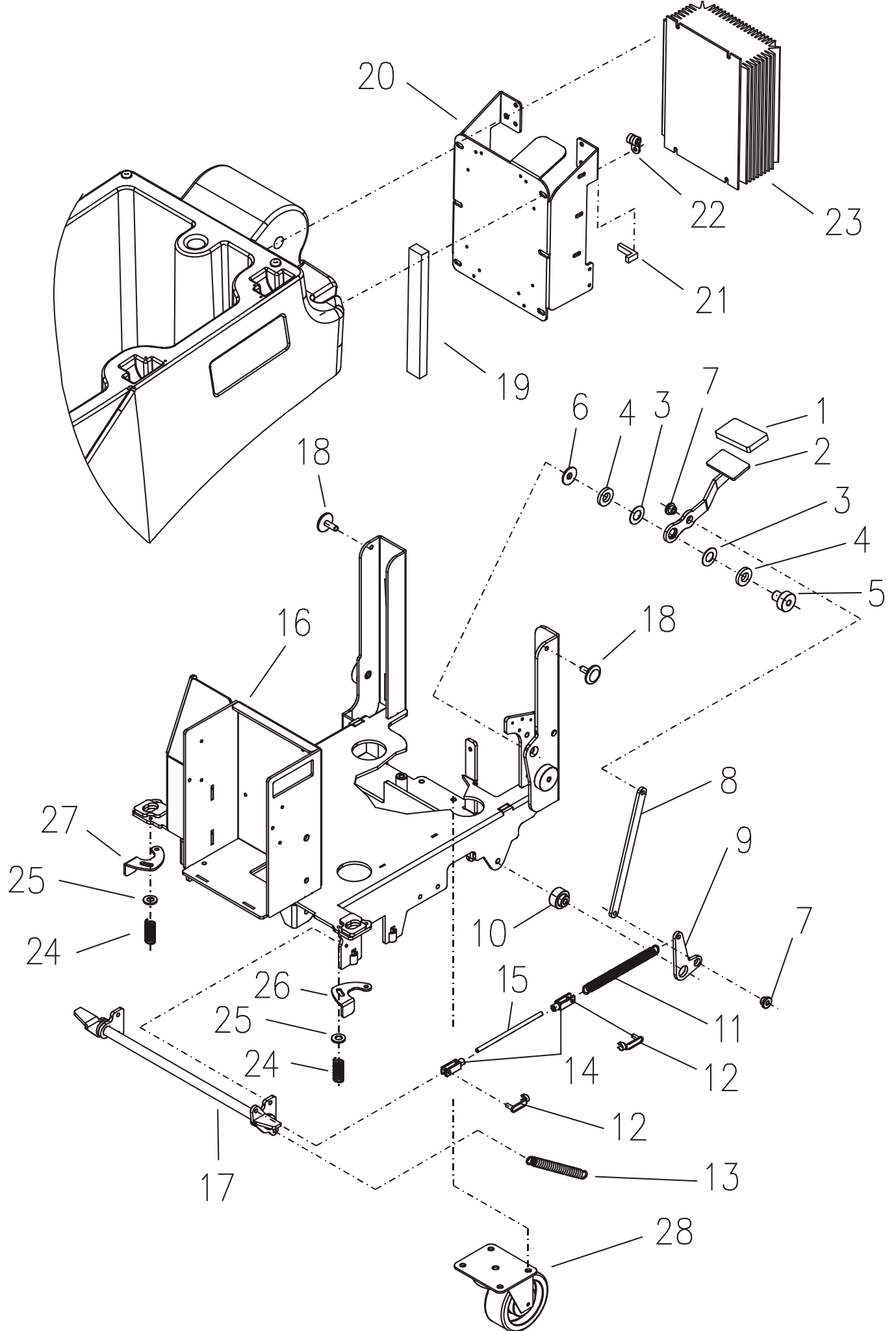
**GRUPPO POMPA-ELETTROVALVOLE-FILTRI
PUMP- ELECTROVALVE – FILTER ASSEMBLY
PUMPE- ELECTROVENTIL- FILTER GRUPPE
GROUPE POMPE – ELECTROVALVES- FILTRES
GRUPO BOMBA – ELECTROVALVULAS – FILTROS**

N°	Codice N° Part. No. Code Nr.	Quantità Quantity Anzahl	Descrizione	Description	Bezeichnung	Description	Descripción
1	520093	1	Filtro ecolavaggio 51-V3 / 510V3 Dal telaio N° 51001047	ECO filter 51-V3 / 510-V3 From frame's number 51001047	ECO filter 51-V3 / 510-V3 Von der Nr. des Gestelles 51001047	Filtre eco-nettoyage 51-V3 / 510-V3 A partir du n. de chassis 51001047	Filtro eco-limpieza 51-V3 / 510-V3 Desde el n. de bastidor 51001047
	520093	1	Filtro ecolavaggio 61-V3 / 610-V3 Dal telaio N° 61001040	ECO filter 61-V3 / 610-V3 From frame's number 61001040	ECO filter 61-V3 / 610-V3 Von der Nr. des Gestelles 61001040	Filtre eco-nettoyage 61-V3 / 610-V3 A partir du n. de chassis 61001040	Filtro eco-limpieza 61-V3 / 610-V3 Desde el n. de bastidor 61001040
2	490435	1	Kit filtro ecolavaggio 51-V3 / 510-V3 Fino al telaio N° 51001046	ECO filter kit 51-V3 / 510-V3 Up to frame's number 51001046	ECO Filter Satz 51-V3 / 510-V3 Bis zur Nr. des Gestelles 51001046	Kit filtre ECO 51-V3 / 510-V3 Jusq'au n. de chassis 51001046	Kit filtro ECO 51-V3 / 510-V3 Hasta el n. de bastidor 51001046
	490435	1	Kit filtro ecolavaggio 61-V3 / 610-V3 Fino al telaio N° 61001039	ECO filter kit 61-V3 / 610-V3 Up to frame's number 61001039	ECO Filter Satz 61-V3 / 610-V3 Bis zur Nummer des Gestelles 61001039	Kit filtre ECO 61-V3 / 610-V3 Jusq'au n. de chassis 61001039	Kit filtro ECO 61-V3 / 610-V3 Hasta el n. de bastidor 61001039
4	580229	9	Fascetta	Clamp	Streifband	Collier	Abrazadera
5	660062	2	Elettrovalvola	Electrovalve	Elektroventil	Electrovalve	Electroválvula
6	650056	2	Connettore	Connector	Stecker	Connecteur	Conector
7	510407	1	Etichetta	Sticker	Aufkleber	Etiquette	Etiqueta
8	M30289	M 0,08	Tubo D=12	Hose D=12	Rohr D=12	Tuyau D=12	Tubo D=12
9	680291	1	Portagomma	Joint	Verbindung	Raccord	Portagoma
10	510399	1	Filtro	Filter	Filter	Filtre	Filtro
11	680290	1	Portagomma	Joint	Verbindung	Raccord	Portagoma
12	580228	4	Fascetta	Clamp	Streifband	Collier	Abrazadera
13	M30288	M 0,33	Tubo D=10	Hose D=10	Rohr D=10	Tuyau D=10	Tubo D=10
14	110591	1	Staffa	Bracket	Bügel	Etrier	Estribo
15	680292	1	Portagomma	Joint	Verbindung	Raccord	Portagoma
16	580222	1	Valvola a sfera	Valve	Ventil	Valve à sphère	Válvula esférica
17	680287	3	Curva M/F 3/8"	Curve 3/8"	Kurve 3/8"	Courbe 3/8"	Curva 3/8"
18	M30289	M 0,36	Tubo D=12	Hose D=12	Rohr D=12	Tuyau D=12	Tubo D=12
19	510408	1	Etichetta	Sticker	Aufkleber	Etiquette	Etiqueta
20	110576	1	Supporto	Support	Halterung	Support	Soporte
21	M30288	M 0,88	Tubo D=10	Hose D=10	Rohr D=10	Tuyau D=10	Tubo D=10
22	680296	1	Portagomma	Joint	Verbindung	Raccord	Portagoma
23	680295	1	Curva M/F da 1/2"	Curve 1/2"	Kurve 1/2"	Courbe 1/2"	Curva 1/2"
24	110595	1	Piatto bloccacavi	Locking cable plate	Blockierung Kabel	Blocage cables	Bloqueo cables
25	200074	1	Piatto bloccacavi	Locking cable plate	Blockierung Kabel	Blocage cables	Bloqueo cables
26	200073	1	Piatto bloccacavi	Locking cable plate	Blockierung Kabel	Blocage cables	Bloqueo cables
27	110572	1	Piastra	Pump support	Pumpe Halterung	Plaque de support	Placa de soporte
28	580221	1	Elettropompa	Motor driver pump	Motor Pumpe	Electropompe	Electrobomba
29	680293	1	Raccordo a T	Joint T	Verbindung T	Embout T	Empalme a T
30	680288	1	Portagomma	Joint	Verbindung	Raccord	Portagoma
31	M30289	M 0,18	Tubo D=12	Hose D=12	Rohr D=12	Tuyau D=12	Tubo D=12
32	210424	1	Tappo	Plug	Pfropfen	Bonde	Tapón
33	680302	1	Guarnizione OR	Gasket OR	Dichtung OR	Garniture OR	Junta OR
34	680301	1	Raccordo a T 3/8"	Joint T 3/8"	Verbindung T 3/8"	Embout T 3/8"	Empalme T 3/8"
35	210422	1	Raccordo	Joint	Verbindung	Embout	Empalme
36	M30289	M 0,47	Tubo D=12	Hose D=12	Rohr D=12	Tuyau D=12	Tubo D=12
37	510398	1	Etichetta V3-ECO	Label V3-ECO	Aufkleber V3-ECO	Etiquette V3-ECO	Etiqueta V3-ECO
38	210441	1	Adattatore 51-V3 / 510V3 Dal telaio N° 51001047	Actuator 51-V3 / 510-V3 From frame's number 51001047	Aktuator 51-V3 / 510-V3 Von der Nr. des Gestelles 51001047	Actionneur 51-V3 / 510-V3 A partir du n. de chassis 51001047	Actuador 51-V3 / 510-V3 Desde el n. de bastidor 51001047
	210441	1	Adattatore 61-V3 / 610-V3 Dal telaio N° 61001040	Actuator 61-V3 / 610-V3 From frame's number 61001040	Aktuator 61-V3 / 610-V3 Von der Nr. des Gestelles 61001040	Actionneur 61-V3 / 610-V3 A partir du n. de chassis 61001040	Actuador 61-V3 / 610-V3 Desde el n. de bastidor 61001040
39	520094	1	Filtro di sicurezza 51-V3 / 510V3 Dal telaio N° 51001047	Safety filter 51-V3 / 510-V3 From frame's number 51001047	Sicherheitsfilter 51-V3 / 510-V3 Von der Nr. des Gestelles 51001047	Filtre de securite' 51-V3 / 510-V3 A partir du n. de chassis 51001047	Filtro de seguridad 51-V3 / 510-V3 Desde el n. de bastidor 51001047
	520094	1	Filtro di sicurezza 61-V3 / 610-V3 Dal telaio N° 61001040	Safety filter 61-V3 / 610-V3 From frame's number 61001040	Sicherheitsfilter 61-V3 / 610-V3 Von der Nr. des Gestelles 61001040	Filtre de securite' 61-V3 / 610-V3 A partir du n. de chassis 61001040	Filtro de seguridad 61-V3 / 610-V3 Desde el n. de bastidor 61001040



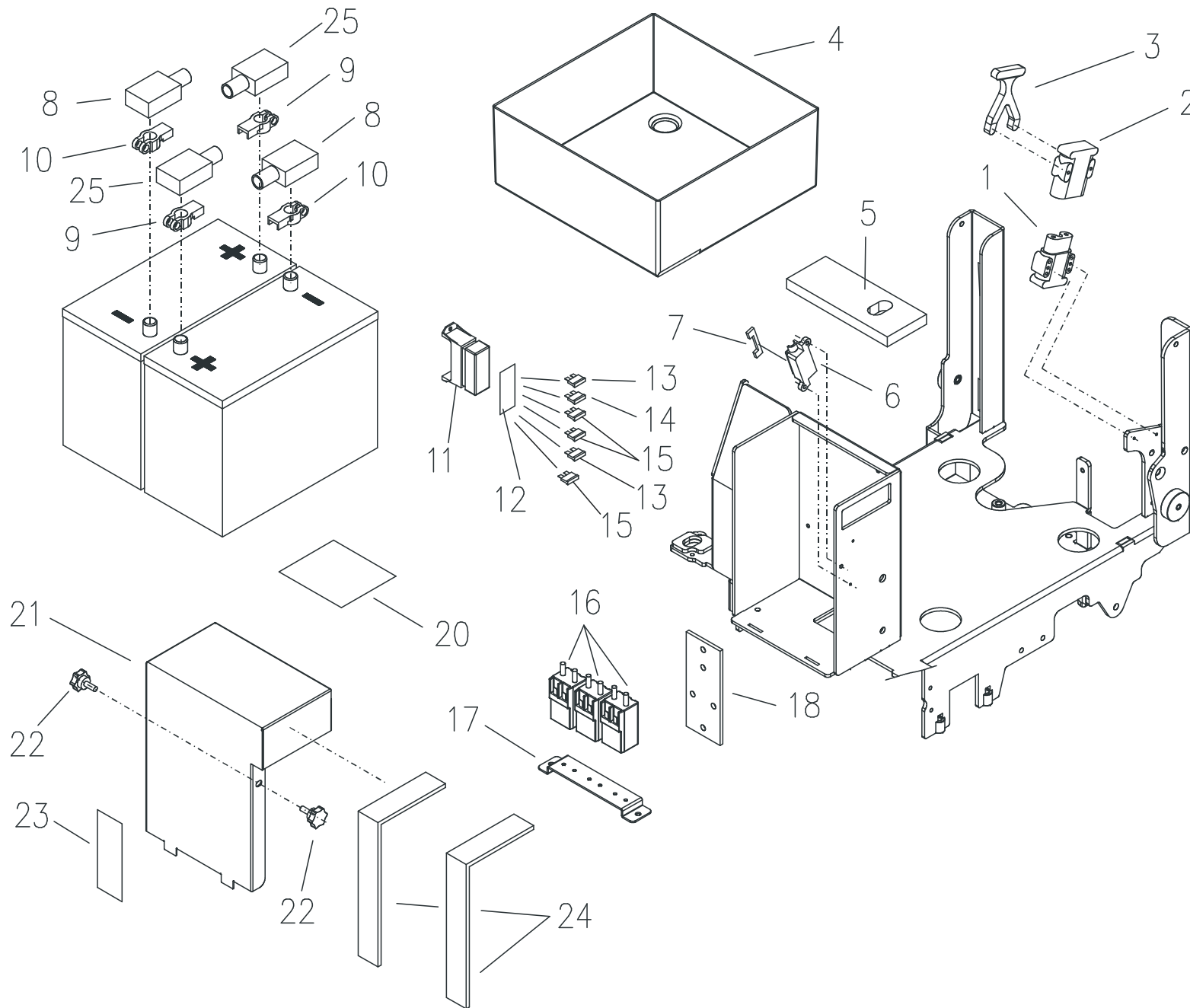
**GRUPPO ELETTROVALVOLE-FILTRI
ELECTROVALVE – FILTER ASSEMBLY
ELECTROVENTIL- FILTER GRUPPE
GROUPE ELECTROVALVES- FILTRES
GRUPO ELECTROVALVULAS – FILTROS**

N°	Codice N° Part. No. Code Nr.	Quantità Quantity Anzahl	Descrizione	Description	Bezeichnung	Description	Descripción
1	680286	1	Tappo	Plug	Pfropfen	Bouchon	Tapón
2	680298	1	Tubo scarico acqua	Recovery draining hose	Aufnahme-Auspuff Schlauch	Tuyau déversoir d'eau sale	Tubo desagüe agua sucia
3	680285	1	Tappo	Plug	Pfropfen	Bouchon	Tapón
4	580196	1	Fascetta	Clamp	Streifband	Collier	Abrazadera
5	210396	1	Portagomma	Joint	Verbindung	Raccord	Portagoma
6	110624	1	Staffa leva	Lever bracket	Hebel Bügel	Etrier levier	Estribo palanca
7	640123	1	Fascetta	Clamp	Streifband	Collier	Abrazadera
8	560066	1	Manettino	Hand lever	Handhebel	Manette	Llave de paso
9	110625	1	Coperchio	Cover	Deckel	Couvercle	Tapa
10	510413	1	Etichetta	Sticker	Aufkleber	Étiquette	Etiqueta
11	680299	1	Tubo livello acqua	Solution level hose	Frischwasser Stand Schlauch	Tuyau niveau de l'eau	Tubo nivel de agua
12	580229	4	Fascetta	Clamp	Streifband	Collier	Abrazadera
13	680288	1	Portagomma	Joint	Verbindung	Raccord	Portagoma
14	680294	1	Raccordo girevole	Joint	Verbindung	Embout	Empalme
15	M30289	M 0,51	Tubo D=12	Hose D=12	Rohr D=12	Tuyau D=12	Tubo D=12
16	660062	1	Elettrovalvola	Electrovalve	Elektroventil	Electrovalve	Electroválvula
17	650056	1	Connettore	Connector	Stecker	Connecteur	Conector
18	510407	1	Etichetta	Sticker	Aufkleber	Étiquette	Etiqueta
19	M30289	M 0,04	Tubo D=12	Hose D=12	Rohr D=12	Tuyau D=12	Tubo D=12
20	680291	1	Portagomma	Joint	Verbindung	Raccord	Portagoma
21	510399	1	Filtro	Filter	Filter	Filtre	Filtro
22	680290	1	Portagomma	Joint	Verbindung	Raccord	Portagoma
23	580228	2	Fascetta	Clamp	Streifband	Collier	Abrazadera
24	M30288	M 0,3	Tubo D=10	Hose D=10	Rohr D=10	Tuyau D=10	Tubo D=10
25	120643	1	Staffa valvola	Valve bracket	Ventil Bügel	Etrier valve	Estribo válvula
26	110053	1	Fascetta	Clamp	Streifband	Collier	Abrazadera
27	680292	1	Portagomma	Joint	Verbindung	Raccord	Portagoma
28	900643	1	Valvola a sfera	Valve	Ventil	Valve à sphère	Válvula esférica
29	680287	1	Curva M/F 3/8"	Curve 3/8"	Kurve 3/8"	Courbe 3/8"	Curva 3/8"
30	200093	1	Leva valvola	Valve lever	Ventil Hebel	Levier valve	Palanca válvula
31	110595	1	Piatto bloccacavi	Locking cable plate	Blockierung Kabel Platte	Platine de blocage câbles	Platina de bloqueo cables
32	200074	1	Piatto bloccacavi	Locking cable plate	Blockierung Kabel Platte	Platine de blocage câbles	Platina de bloqueo cables
33	200073	1	Piatto bloccacavi	Locking cable plate	Blockierung Kabel Platte	Platine de blocage câbles	Platina de bloqueo cables
34	110573	1	Supporto	Support	Halterung	Support	Soporte



**GRUPPO FRENO E CARICABATTERIE – BRAKE ASSEMBLY AND CHARGER-
BREMSE GRUPPE UND LADEGERÄT – GROUPE FREIN ET CHARGEUR DE
BATTERIES – GRUPO FRENO Y CARGABATERIAS**

N°	Codice N° Part. No. Code Nr.	Quantità Quantity Anzahl	Descrizione	Description	Bezeichnung	Description	Descripción
1	330029	1	Copripedale	Pedalboard cover	Pedal Bedeckung	Couvercle pédale	Tapa pedal
2	120608	1	Pedale freno	Brake pedal	Bremse Pedal	Pédale frein	Pedal freno
3	200072	2	Rondella	Washer	Scheibe	Rondelle	Rondana
4	360351	2	Rondella in gomma	Rubber washer	Gummi Scheibe	Rondelle en caoutchouc	Rondana de goma
5	210402	1	Bussola pedale	Pedal bush	Pedal büchse	Douille pédale	Casquillo pedal
6	730042	1	Rondella	Washer	Scheibe	Rondelle	Rondana
7	210414	2	Distanziale	Spacer	Abstandbüchse	Entretoise	Riostra
8	200067	1	Piatto	Plate	Platte	Platine	Platina
9	200066	1	Rinvio asta freno	Brake countershaft	Bremse Vorgelegewelle	Transmission haste frein	Transmisión de asta freno
10	210407	1	Bussola rinvio	Bush	Buchse	Douille	Casquillo
11	550021	1	Molla pedale	Pedal spring	Pedal Feder	Ressort pédale	Muelle pedal
12	580164	2	Clip forcella	Fork clip	Gabelkopf	Clip fourchette	Clip horquilla
13	550035	1	Molla	Spring	Feder	Ressort	Muelle
14	580012	2	Forcella	Fork	Gabel	Fourchette	Horquilla
15	110570	1	Tirante freno	Brake tie rod	Bremse Zuganker	Entretoise frein	Tirante freno
16	130315	1	Scocca	Chassis	Rahmen	Châssis	Chasis
17	130296	1	Albero freni	Brake shaft	Bremse Welle	Arbre freins	Eje frenos
18	210417	2	Perno centraggio	Pin	Stift	Boulon équilibrage	Perno equilibrado
19	360236	1	Profilo in spugna	Sponge profile	Profil aus Schwamm	Profil en éponge	Perfil de esponja
20	120616	1	Supporto	Support	Halterung	Support	Soporte
21	M30027	M 0,05	Profilo in gomma	Rubber profile	Gummi Profil	Profil en caoutchouc	Perfil de goma
22	640123	1	Fascetta	Clamp	Streifband	Collier	Abrazadera
23	660071	1	Caricabatterie	Battery charger	Ladegerät	Chargeur de batteries	Cargabaterías
24	550076	2	Molla	Spring	Feder	Ressort	Muelle
25	730030	2	Rondella	Washer	Scheibe	Rondelle	Rondana
26	110589	1	Leva sinistra	Lever- LH	Hebel- links	Levier gauche	Palanca izquierda
27	110590	1	Leva destra	Lever- RH	Hebel- rechts	Levier droite	Palanca derecha
28	440043	1	Ruota posteriore	Rear wheel	Hinterrad	Roue de dernière	Rueda trasera

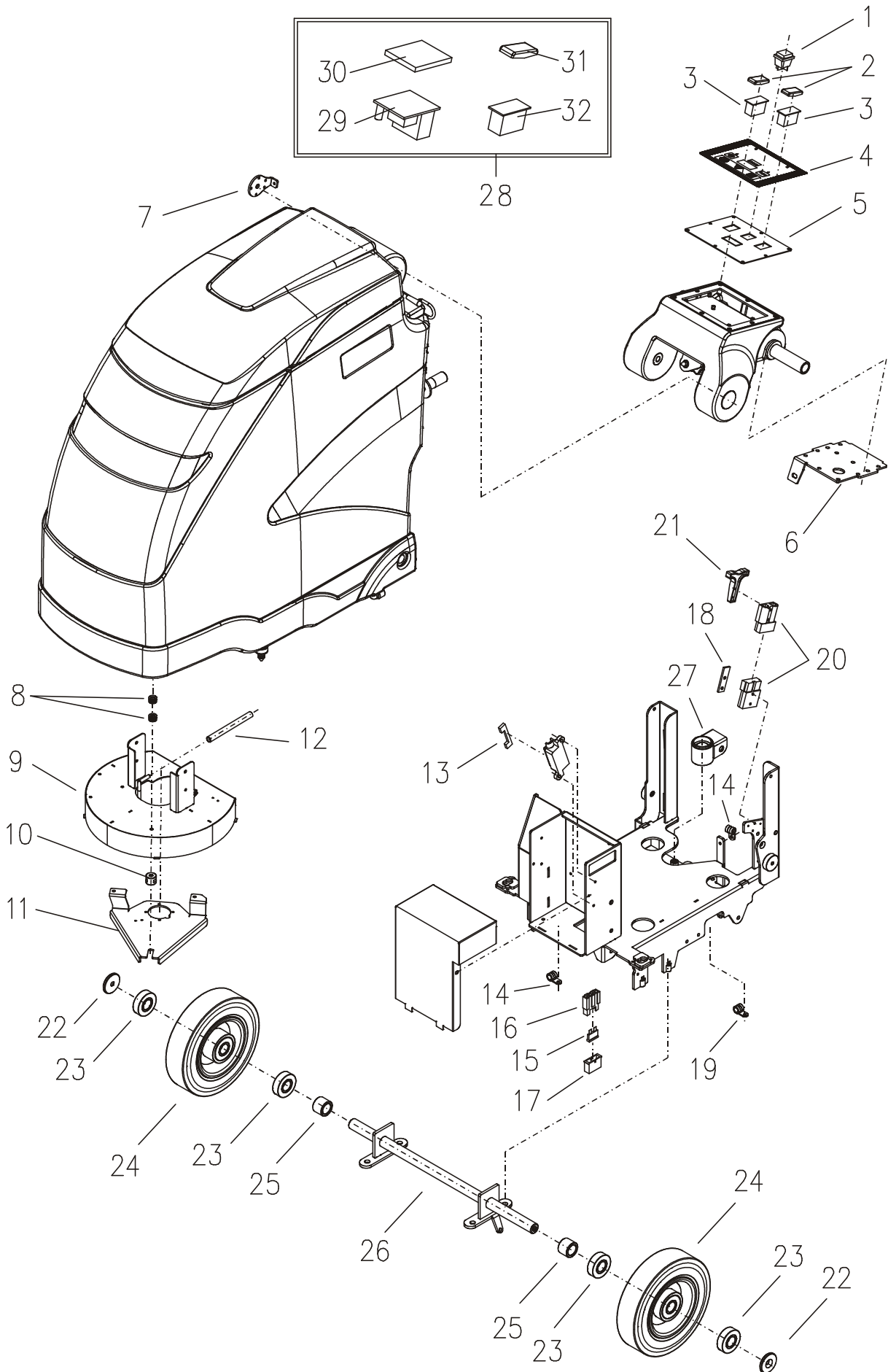


**PARTI IMPIANTO ELETTRICO - ELECTRICAL WIRING PARTS -
ELEKTRISCHE ANLAGE TEILE - COMPOSANTS CIRCUIT ELECTRIQUE -
COMPONENTES SISTEMA ELECTRICO**

N°	Codice N° Part. No. Code Nr.	Quantità Quantity Anzahl	Descrizione	Description	Bezeichnung	Description	Descripción
1	640037	1	Connettore fisso	Fixed Connector	Fester Stecker	Connecteur fixe	Conector fijo
2	640038	1	Connettore mobile	Connector	Stecker	Connecteur mobile	Conector móvil
3	640039	1	Maniglia	Handle	Handgriff	Poignée	Empuñadura
4	310316	1	Cassetta batterie CELESTE 5021	Battery case BLUE 5021	Batterietrog BLAU 5021	Boîte batteries BLEU 5021	Caja baterías AZUL 5021
	310317	1	Cassetta batterie GRIGIO 7040	Battery case GREY 7040	Batterietrog GRAU 7040	Boîte batteries GRIS 7040	Caja baterías GRIS 7040
5	360340	1	Guarnizione	Washer	Scheibe	Garniture	Junta
6	640087	1	Portafusibile	Fuse holder	Sicherungshalter	Porte fusible	Portafusible
7	640174	1	Fusibile 50A	Fuse 50A	Sicherung 50A	Fusible 50A	Fusible 50A
8	330066	2	Coprimorsetto nero	Black clamp cover	Klemme Abdeckung Schwarz	Couvercle anneau noir	Tapa abrazadera negro
9	640218	2	Morsetto positivo	Clamp - positive	Klemme - positiv	Anneau positif	Abrazadera positiva
10	640219	2	Morsetto negativo	Clamp - negative	Klemme - negativ	Anneau négatif	Abrazadera negativa
11	640231	1	Portafusibile	Fuse holder	Sicherungshalter	Porte fusible	Portafusible
12	510376	1	Etichetta	Label	Aufkleber	Etiquette	Etiqueta
13	640108	2	Fusibile 5A	Fuse 5A	Sicherung 5A	Fusible 5 A	Fusible 5 A
14	640109	1	Fusibile 7,5A	Fuse 7,5A	Sicherung 7,5A	Fusible 7,5 A	Fusible 7,5 A
15	640114	3	Fusibile 30A	Fuse 30A	Sicherung 30A	Fusible 30 A	Fusible 30 A
16	650055	3	Teleruttore	Remote switch	Fernschalter	Telerrupteur	Telerruptor
17	110575	1	Supporto	Support	Halterung	Support	Soporte
18	360333	1	Basetta in bachelite	Bakelite base	Sockel aus Bakelit	Socle en bakélite	Tablero en baquelita
20	510245	1	Etichetta	Label	Aufkleber	Etiquette	Etiqueta
21	120607	1	Coperchio	Cover	Deckel	Couvercle	Tapa
22	330041	2	Volantino	Handwheel	Handrad	Volant	Manubrio
23	510273	1	Etichetta	Label	Aufkleber	Etiquette	Etiqueta
24	M30002	M 0,75	Profilo 20X3	Profile 20X3	Profil 20X3	Profil 20X3	Perfil 20X3
25	330148	2	Coprimorsetto rosso	Red clamp cover	Klemme Abdeckung Rot	Couvercle anneau rouge	Tapa abrazadera rojo

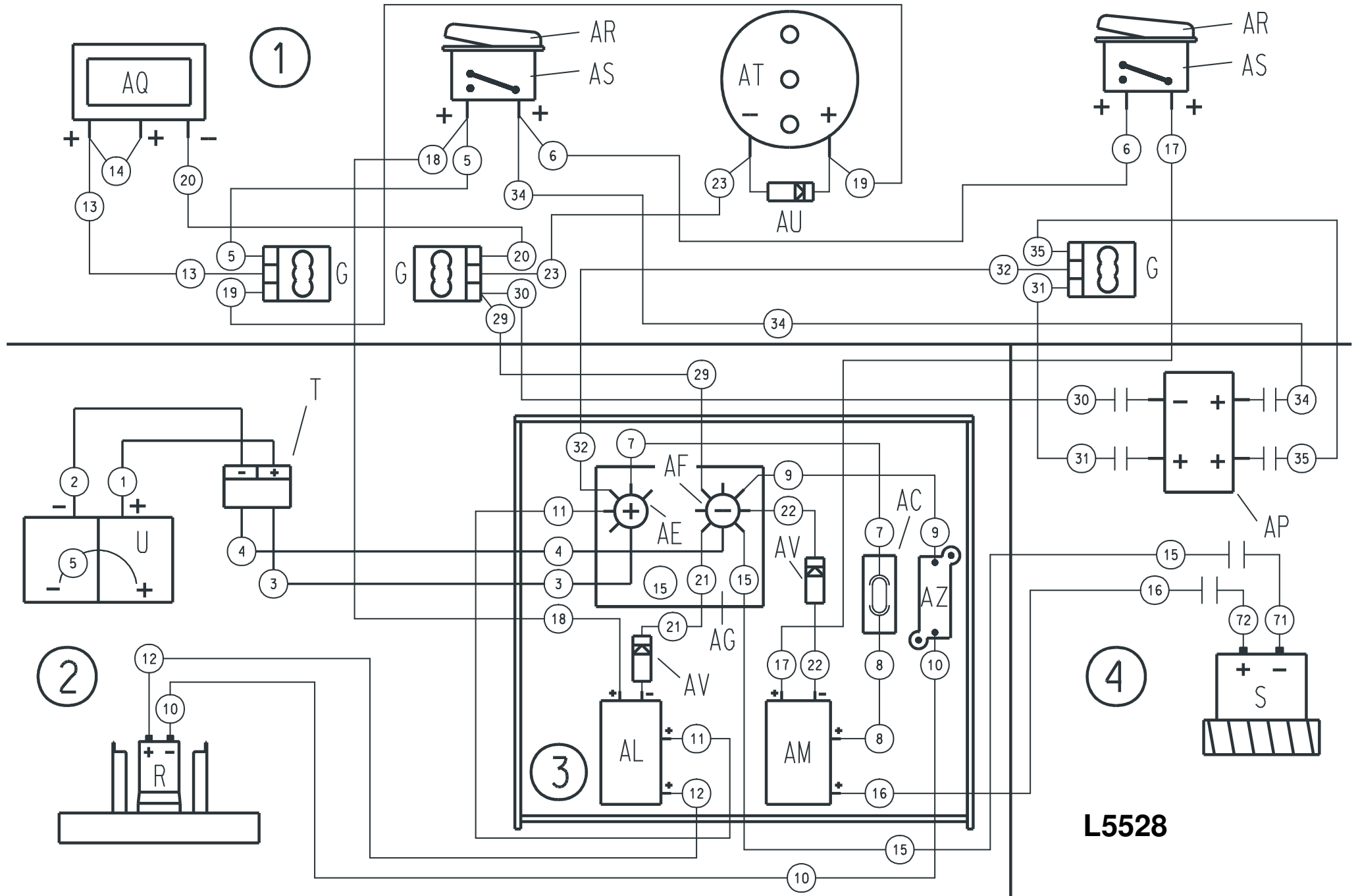
E51-V1-BASE

M510-V1-BASE



**PARTICOLARI VERSIONE E51-V1-BASE/M510-V1-BASE –
E51-V1-BASE/M510-V1-BASE VERSION COMPONENTS –
E51-V1-BASE/M510-V1-BASE VERSION BAUELEMENTE –
COMPOSANTS VERSION E51-V1-BASE/M510-V1-BASE –
COMPONENTES VERSION E51-V1-BASE/M510-V1-BASE**

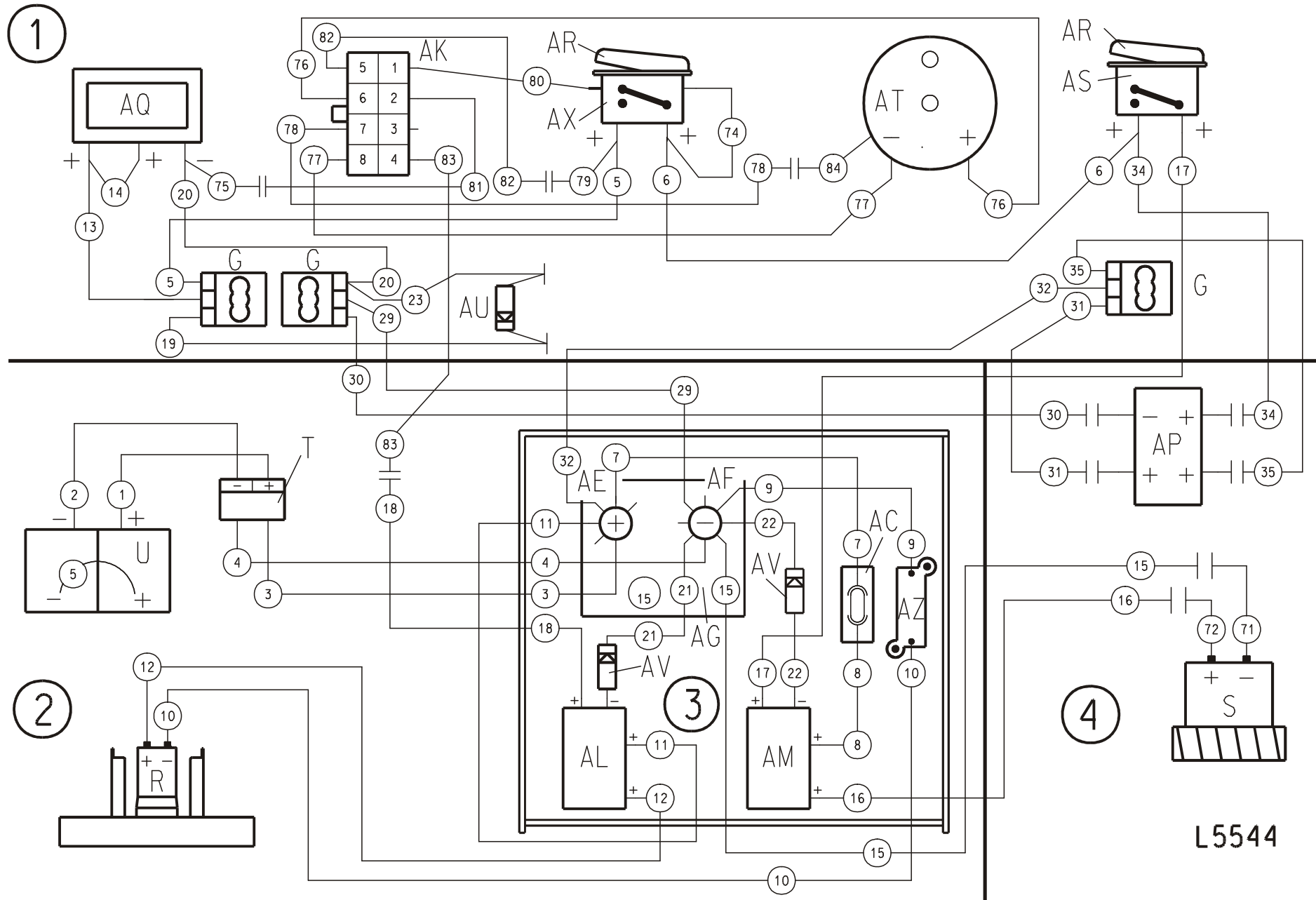
N°	Codice N° Part. No. Code Nr.	Quantità Quantity Anzahl	Descrizione	Description	Bezeichnung	Description	Descripción
1	650061	1	Indicatore livello batteria	Battery level indicator	Batterie Niveau Anzeiger	Indicateur niveau batterie	Indicador nivel batería
2	640275	2	Tasto interruttore	Switch	Schalter	Interrupteur	Interruptor
3	640274	2	Corpo interruttore	Switch assy	Schalter Gruppe	Corp interrupteur	Cuerpo interruptor
4	510424	1	Etichetta plancia	Label	Aufkleber	Étiquette plaque	Etiqueta plancha
5	200102	1	Pannello plancia	Control board panel	Armaturenbrett Tafel	Panel tableau de contrôle	Panel cuadro de mandos
6	110635	1	Piastra	Plate	Platte	Plaque	Plancha
7	120667	1	Staffa regolazione	Adjust Bracket	Regulierung Bügel	Etrier réglage	Estribo ajuste
8	550084	2	Molla	Spring	Feder	Ressort	Resorte
9	190008	1	Piatto	Plate	Platte	Platine	Platina
10	230084	1	Boccola	Bush	Büchse	Fourreau	Buje
11	110636	1	Piatto motore	Engine plate	Motor Platte	Support moteur	Soporte motor
12	M30288	M 1	Tube D=10	Hose D=10	Rohr D=10	Tuyau D=10	Tube D=10
13	640088	1	Fusibile 30A	Fuse 30A	Sicherung 30A	Fusible 30A	Fusible 30A
14	640020	2	Fascetta	Clamp	Streifband	Collier	Abrazadera
15	640114	1	Fusibile 30A	Fuse 30A	Sicherung 30A	Fusible 30 A	Fusible 30 A
16	640226	1	Portafusibile	Fuse holder	Sicherungshalter	Porte fusible	Portafusible
17	640227	1	Coperchio	Cover	Deckel	Couvercle	Tapa
18	110346	1	Piatto connettore	Connector plate	Stecker Platte	Platine connecteur	Platina conector
19	640078	1	Fascetta	Clamp	Streifband	Collier	Abrazadera
20	640003	2	Connettore	Connector	Stecker	Connecteur	Connector
21	640103	1	Maniglia	Handle	Handgriff	Poignée	Empuñadura
22	210423	2	Rondella	Washer	Scheibe	Rondelle	Rondana
23	410032	4	Cuscinetto	Bearing	Lager	Palier	Cojinete
24	440041	2	Ruota con cuscinetti	Wheel with bearings	Rad mit Lagern	Roue avec paliers	Rueda con cojinetes
25	210412	2	Distanziale ruote	Wheel spacer	Rad Abstandbüchse	Entretoises roues	Riostras de las ruedas
26	130299	1	Supporto ruote	Wheel support	Rad Halterung	Supports roues	Soporte ruedas
27	120671	1	Supporto	Support	Halterung	Support	Soporte
28	490444	1	Kit scheda elettronica scarica batteria per gel e acido con fermo spazzola	Gel / acid battery charge électronique card	Gel / Bleibatterie Aufladung Elektronikkarte	Platine electronique chargement batterie a gel / acid	Tarjetta control nivel batteria de gel / acido
29	650062	1	Scheda elettronica	Electronic card	Elektronikkarte	Platine electronique	Tarjetta electronica
30	M30224	M=0.05	Spugna	Sponge	Schwamm	Mousse	Esponja
31	640275	1	Tasto interruttore	Switch button	Schalter Druckknopf	Bouton interrupteur	Boton Interruptor
32	640283	1	Corpo interruttore	Switch assy	Schalter Gruppe	Corp interrupteur	Cuerpo interruptor



L5528

SCHEMA IMPIANTO ELETTRICO E51-V1-BASE / M510-V1-BASE
ELECTRICAL WIRING DIAGRAM E51-V1-BASE / M510-V1-BASE
ELEKTRISCHE ANLAGE SCHALTPLAN E51-V1-BASE / M510-V1-BASE
CIRCUIT ELECTRIQUE E51-V1-BASE / M510-V1-BASE
ESQUEMA ELECTRICO E51-V1-BASE / M510-V1-BASE

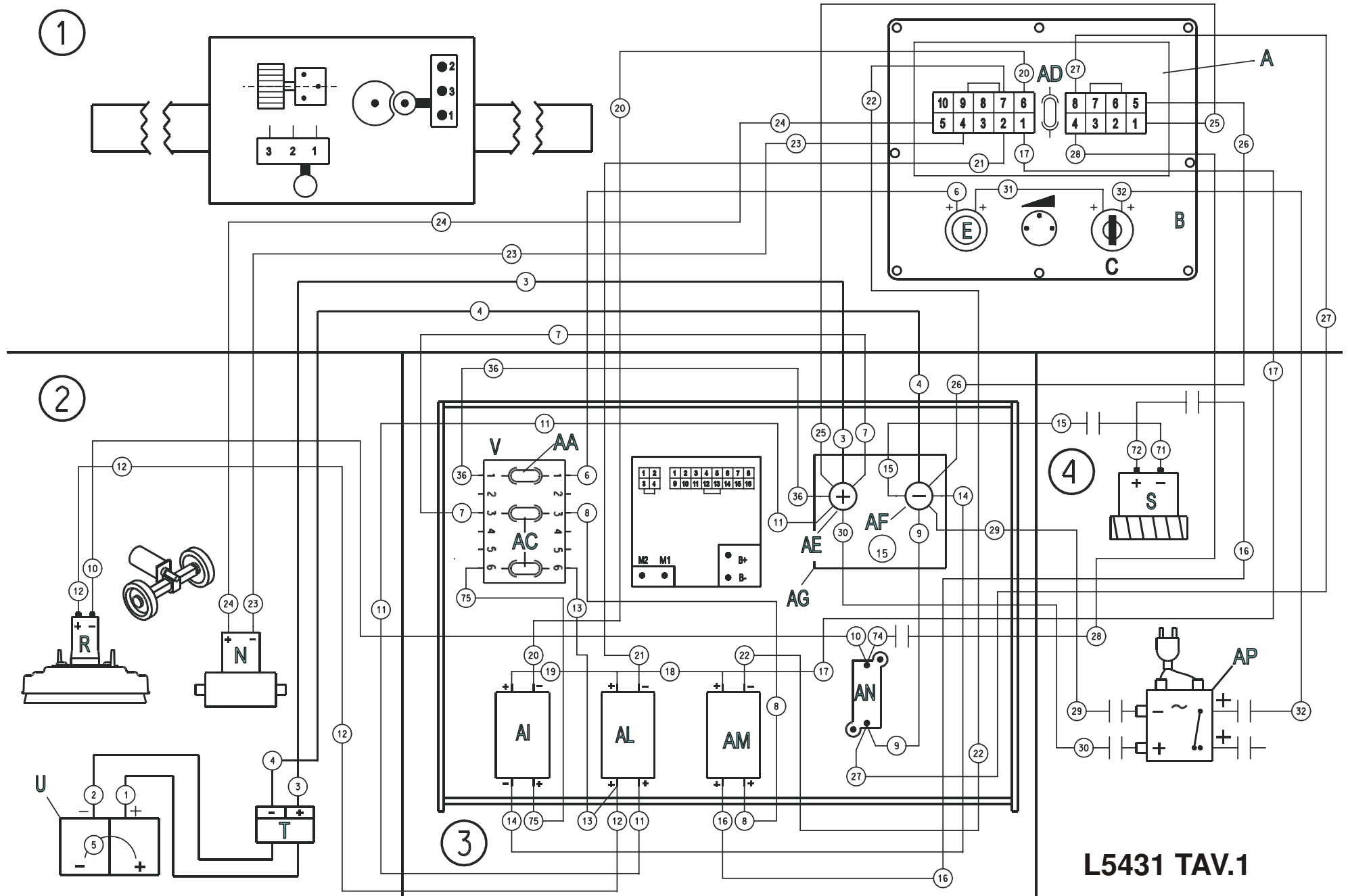
	IMPIANTO ELETTRICO	ELECTRICAL WIRING	ELEKTRISCHE ANLAGE	INSTALLATION ELECTRIQUE	INSTALACION ELECTRICA
<i>1</i>	Plancia	Control board	Armaturen Brett	Tableau de borde commandes	Panel de mandos
<i>2</i>	Scocca	Chassis	Rahmen	Châssis	Chasis
<i>3</i>	Quadro elettrico	Electrical board	Elektrische Tafel	Tableau électrique	Cuadro eléctrico
<i>4</i>	Serbatoio	Tank	Tank	Réservoir	Tanque
<i>G</i>	Morsetto COD. 640250	Clamp P/N 640250	Klemme Nr. 640250	Borne COD. 640250	Borne COD. 640250
<i>R</i>	Motoriduttore monospazzola COD. 610044	Motor reducer – one brush P/N 610044	Getriebemotor- Eine Bürste Nr. 610044	Moto réducteur mono brosse COD. 610044	Motorreductor mono-cepillo COD. 610044
<i>S</i>	Aspiratore COD. 900630	Vacuum cleaner P/N 900630	Staubsauger NR. 900630	Aspirateur COD. 900630	Aspirador COD. 900630
<i>T</i>	Connettore fisso e mobile COD. 640037 COD. 640038	Connectors P/N 640037 P/N 640038	Stecker Nr. 640037 Nr. 640038	Connecteur fixe et mobile COD. 640037 COD. 640038	Connector fijo y móvil COD. 640037 COD. 640038
<i>U</i>	Batteria	Battery	Batterie	Batterie	Batería
<i>AC</i>	Fusibile 30A COD. 640114	Fuse 30 A P/N 640114	Sicherung 30 A NR. 640114	Fusible 30A COD. 640114	Fusible 30A COD. 640114
<i>AE</i>	Polo positivo	Positive pole	Pluspol	Pôle positif	Polo positivo
<i>AF</i>	Polo negativo	Negative pole	Minuspol	Pôle négatif	Polo negativo
<i>AG</i>	Basetta in bachelite COD. 360333	Bakelite base P/N 360333	Socket aus Bakelit NR. 360333	Planche en bakélite COD. 360333	Tablero en baquelita COD. 360333
<i>AL</i>	Teleruttore spazzola COD. 650055	Brush remote switch P/n 650055	Bürste Fernschalt Nr. 650055	Telerupteur brosse COD. 650055	telerruptor cepillo COD. 650055
<i>AM</i>	Teleruttore aspiratore COD. 650055	Vacuum remote switch P/n 650055	Staubsauger Fernschalter Nr. 650055	telerupteur aspirateur COD. 650055	telerruptor aspirador COD. 650055
<i>AP</i>	Caricabatteria COD. 660071	Battery charger P/N 660071	Ladegerät NR. 660071	Chargeur de batteries COD. 660071	Cargabaterías COD. 660071
<i>AQ</i>	Contaore COD. 650035	Hour meter P/N 650035	Stundenzähler NR.650035	Compteur-horaire COD.650035	Cuentahoras COD.650035
<i>AR</i>	Tasto interruttore COD. 640275	Switch P/N 640275	Schalter NR. 640275	Interrupteur COD. 640275	Interruptor COD. 640275
<i>AS</i>	Corpo interruttore COD. 640274	Switch assy P/N 640274	Schalter Gruppe NR. 640274	Corp interrupteur COD. 640274	Cuerpo interruptor COD. 640274
<i>AT</i>	Indicatore livello batteria COD. 650061	Battery level Indicator P/N 650061	Batterie Niveau Anzeiger NR. 650061	Indicateur niveau batterie COD. 650061	Indicador nivel batería COD. 650061
<i>AU</i>	Diodo 1A COD. 640132	Diode 1A P/N 640132	Diode 1A NR. 640132	Diode 1A COD. 640132	Diodo 1A COD. 640132
<i>AV</i>	Diodo 3A COD. 640010	Diode 3A P/N 640010	Diode 3A NR. 640010	Diode 3A COD. 640010	Diodo 3A COD. 640010
<i>AZ</i>	Fusibile 30A COD. 640088	Fuse 30A P/N 640088	Sicherung 30A NR. 640088	Fusible 30A COD. 640088	Fusible 30A COD. 640088



L5544

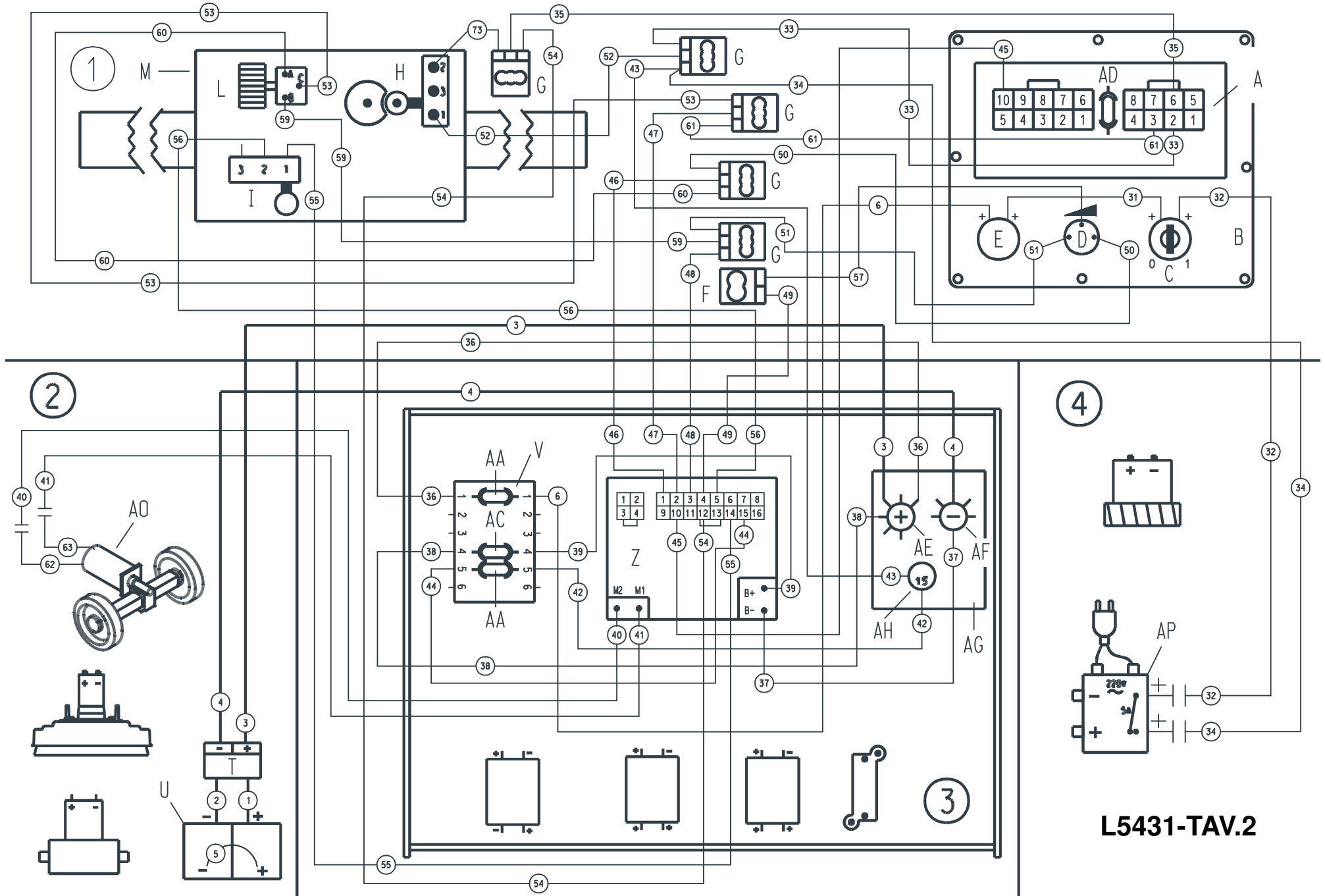
SCHEMA IMPIANTO ELETTRICO VERSIONE V1 CON SCHEDE CONTROLLO BATTERIA GEL-ACD
V1 VERSION WIRING DIAGRAM WITH GEL / ACID BATTERY CONTROL CARD
V1 VERSION ELEKTRISCHER SCHALTPLAN MIT GEL / BLEIBATTERIE KONTROLLE KARTE
SCHEMA ELECTRIQUE VERSION V1 AVEC PLATINE DE CONTROLE BATTERIE GEL / ACID
ESQUEMA ELECTRICO VERSION V1 CON TARJETA DE CONTROL BATERIA GEL / ACIDO

	IMPIANTO ELETTRICO	ELECTRICAL WIRING	ELEKTRISCHE ANLAGE	INSTALLATION ELECTRIQUE	INSTALACION ELECTRICA
1	Plancia	Control board	Armaturenbrett	Tableau de commandes	Panel de mandos
2	Scocca	Chassis	Rahmen	Châssis	Chasis
3	Quadro elettrico	Electrical board	Elektrische Tafel	Tableau électrique	Cuadro eléctrico
4	Serbatoio	Tank	Tank	Réservoir	Tanque
G	Morsetto COD. 640250	Clamp P/N 640250	Klemme Nr. 640250	Borne COD. 640250	Borne COD. 640250
R	Motoriduttore monospazzola COD. 610044	Motor reducer – one brush P/N 610044	Getriebemotor- Eine Bürste Nr. 610044	Moto réducteur mono-brosse COD. 610044	Motorreductor mono-cepillo COD. 610044
S	Aspiratore COD. 900630	Vacuum cleaner P/N 900630	Staubsauger NR. 900630	Aspirateur COD. 900630	ASPIRADOR COD. 900630
T	Connettore fisso e mobile COD. 640037 COD. 640038	Connectors P/N 640037 P/N 640038	Stecker Nr. 640037 Nr. 640038	CONNECTEUR FIXE ET MOBILE COD. 640037 COD. 640038	Connector fijo y móvil COD. 640037 COD. 640038
U	Batteria COD. 620045	Battery P/N 620045	Batterie NR. 620045	Batterie COD. 620045	BATERIA COD. 620045
AC	Fusibile 30A COD. 640114	Fuse 30 A P/N 640114	Sicherung 30 A NR. 640114	Fusible 30A COD. 640114	Fusible 30A COD. 640114
AE	Polo positivo	Positive pole	Pluspol	Pôle positif	Polo positivo
AF	Polo negativo	Negative pole	Minuspol	Pôle négatif	Polo negativo
AG	Basetta in bachelite COD. 360333	Bakelite base P/N 360333	Sockel aus Bakelit NR. 360333	Planche en bakélite COD. 360333	Tablero en baquelita COD. 360333
AL	Teleruttore spazzola COD. 650055	Brush remote switch P/n 650055	Bürste Fernschalt Nr. 650055	Telerupteur brosse COD. 650055	TELERRUPTOR CEPILLO COD. 650055
AM	Teleruttore aspiratore COD. 650055	Vacuum remote switch P/n 650055	Staubsauger Fernschalter Nr. 650055	TELERUPTEUR ASPIRATEUR COD. 650055	TELERRUPTOR ASPIRADOR COD. 650055
AP	Caricabatteria COD. 660071	Battery charger P/N 660071	Ladegerät NR. 660071	Chargeur de batteries COD. 660071	Cargabaterías COD. 660071
AQ	Contaore COD. 650035	Hour meter P/N 650035	Stundenzähler NR.650035	Compteur-horaire COD.650035	Cuentahoras COD.650035
AR	Tasto interruttore COD. 640275	Switch P/N 640275	Schalter NR. 640275	Interrupteur COD. 640275	Interruptor COD. 640275
AS	Corpo interruttore COD. 640274	Switch assy P/N 640274	Schalter Gruppe NR. 640274	Corp interrupteur COD. 640274	Cuerpo interruptor COD. 640274
AT	Indicatore livello batteria COD. 650061	Battery level Indicator P/N 650061	Batterie Niveau Anzeiger NR. 650061	Indicateur niveau batterie COD. 650061	Indicador nivel batería COD. 650061
AU	Diodo 1A COD. 640132	Diode 1A P/N 640132	Diode 1A NR. 640132	Diode 1A COD. 640132	Diodo 1A COD. 640132
AV	Diodo 3A COD. 640010	Diode 3A P/N 640010	Diode 3A NR. 640010	Diode 3A COD. 640010	Diodo 3A COD. 640010
AZ	Fusibile 30A COD. 640088	Fuse 30A P/N 640088	Sicherung 30A NR. 640088	Fusible 30A COD. 640088	Fusible 30A COD. 640088
AK	Scheda controllo COD. 650062	Control card P/N 650062	Kontrolle Karte NR. 650062	Platine de controle COD. 650062	Tarjeta de control COD. 650062
AX	Corpo interrutt. 4 poli COD. 640283	Switch assy 4 poles P/N 640283	Schalter Gruppe 4p NR. 640283	Corp interrupt. 4p COD. 640283	Cuerpo interrupt. 4p COD. 640283



L5431 TAV.1

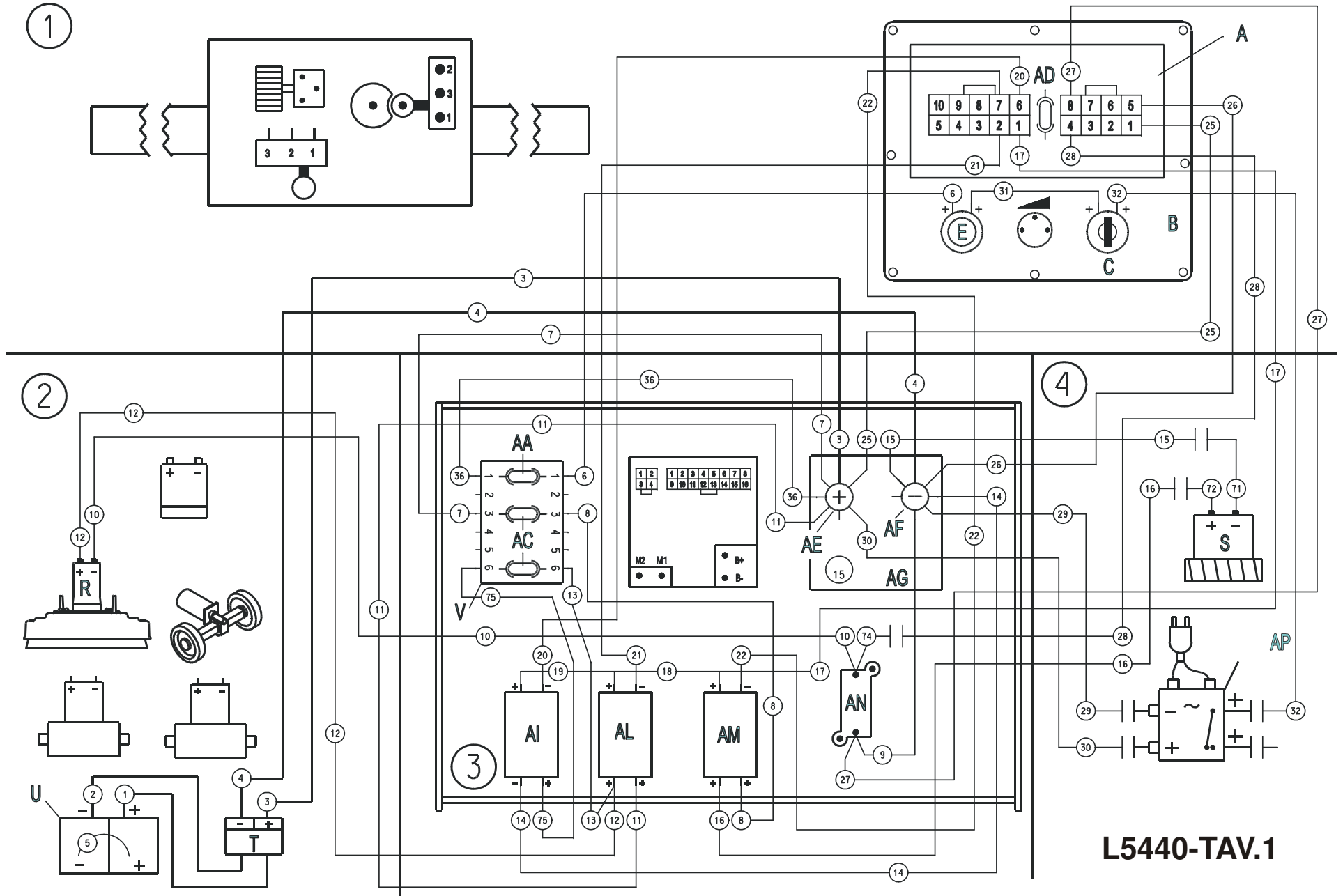
SCHEMA IMPIANTO ELETTRICO E51-V2-TRAC / M510-V2-TRAC ELECTRICAL WIRING DIAGRAM E51-V2-TRAC / M510-V2-TRAC ELEKTRISCHE ANLAGE SCHALTPLAN E51-V2-TRAC / M510-V2-TRAC CIRCUIT ELECTRIQUE E51-V2-TRAC / M510-V2-TRAC ESQUEMA ELECTRICO E51-V2-TRAC / M510-V2-TRAC					
	IMPIANTO ELETTRICO	ELECTRICAL WIRING	ELEKTRISCHE ANLAGE	INSTALLATION ELECTRIQUE	INSTALACION ELECTRICA
1	Plancia	Control board	Armaturen Brett	Tableau de borde commandes	Panel de mandos
2	Scocca	Chassis	Rahmen	Châssis	Chasis
3	Quadro elettrico	Electrical board	Elektrische Tafel	Tableau électrique	Cuadro eléctrico
4	Serbatoio	Tank	Tank	Réservoir	Tanque
A	Scheda funzioni COD. 490437	Functions control card P/N 490437	Funktionskarte NR. 490437	Platine de commandes COD. 490437	Tarjeta de mandos COD. 490437
B	Plancia comandi	Control board	Armaturen Brett	Tableau de borde commandes	Cuadro de mandos
C	Blocchetto e chiave COD. 660070	Lock and key P/N 660070	Schloss und Schlüssel NR. 660070	Fiche et clé COD. 660070	Clavija y llave COD. 660070
E	Emergenza COD. 660065 COD. 560064	Emergency switch P/N 660065 P/N 560064	Notschalter Nr. 660065 Nr. 560064	Interrupteur de sécurité COD. 660065 COD. 560064	Interruptor de seguridad COD. 660065 COD. 560064
N	Elettrovalvola COD. 660062	Electrovalve P/N 660062	Elektroventil Nr. 660062	Electrovalve COD. 660062	Electroválvula COD. 660062
R	Motoriduttore monospazzola COD. 610044	Motor reducer – one brush P/N 610044	Getriebemotor- Eine Bürste Nr. 610044	Moto réducteur mono brosse COD. 610044	Motorreductor mono cepillo COD. 610044
S	Aspiratore COD. 900630	Vacuum cleaner P/N 900630	Staubsauger NR. 900630	Aspirateur COD. 900630	Aspirador COD. 900630
T	Connettore batteria COD. 640037 COD. 640038	Battery Connectors P/N 640037 P/N 640038	Batterie Stecker Nr. 640037 Nr. 640038	Connecteur batterie COD. 640037 COD. 640038	Connector batería COD. 640037 COD. 640038
U	Batteria	Battery	Batterie	Batterie	Batería
V	Portafusibile COD. 640231	Fuse holder P/N 640231	Sicherungshalter NR. 640231	Porte fusible COD. 640231	Portafusible COD. 640231
AA	Fusibile 5A COD. 640108	Fuse 5A P/N 640108	Sicherung 5A NR. 640108	Fusible 5A COD. 640108	Fusible 5 A COD. 640108
AC	Fusibile 30A COD. 640114	Fuse 30 A P/N 640114	Sicherung 30 A NR. 640114	Fusible 30A COD. 640114	Fusible 30 A COD. 640114
AD	Fusibile 15A COD. 640111	Fuse 15 A P/N 640111	Sicherung 15 A NR. 640111	Fusible 15A COD. 640111	Fusible 15 A COD. 640111
AE	Polo positivo	Positive pole	Pluspol	Pôle positif	Polo positivo
AF	Polo negativo	Negative pole	Minuspol	Pôle négatif	Polo negativo
AG	Basetta in bachelite COD. 360333	Bakelite base P/N 360333	Sockel aus Bakelit NR. 360333	Planche en bakélite COD. 360333	Tablero en baquelita COD. 360333
AI	Teleruttore sgancio spazzola COD. 650055	Brush unhook remote switch P/n 650055	Bürste Loshaken Fernschalter Nr. 650055	Telerupteur dételage brosse COD. 660055	Telerruptor desenganche cepillo COD. 650055
AL	Teleruttore spazzola COD. 650055	Brush remote switch P/n 650055	Bürste Fernschalter Nr. 650055	Telerupteur brosse COD. 650055	Telerruptor cepillo COD. 650055
AM	Teleruttore aspiratore COD. 650055	Vacuum remote switch P/n 650055	Staubsauger Fernschalter Nr. 650055	Telerupteur aspirateur COD. 650055	Telerruptor aspirador COD. 650055
AN	Fusibile 50A COD. 640174	Fuse 50 A P/N 640174	Sicherung 50 A NR. 640174	Fusible 50 A COD. 640174	Fusible 50 A COD. 640174
AP	Caricabatteria COD. 660071	Battery charger P/N 660071	Ladegerät NR. 660071	Chargeur de batteries COD. 660071	Cargabaterías COD. 660071



L5431-TAV.2

SCHEMA IMPIANTO ELETTRICO E51-V2-TRAC / M510-V2-TRAC
ELECTRICAL WIRING DIAGRAM E51-V2-TRAC / M510-V2-TRAC
ELEKTRISCHE ANLAGE SCHALTPLAN E51-V2-TRAC / M510-V2-TRAC
CIRCUIT ELECTRIQUE E51-V2-TRAC / M510-V2-TRAC
ESQUEMA ELECTRICO E51-V2-TRAC / M510-V2-TRAC

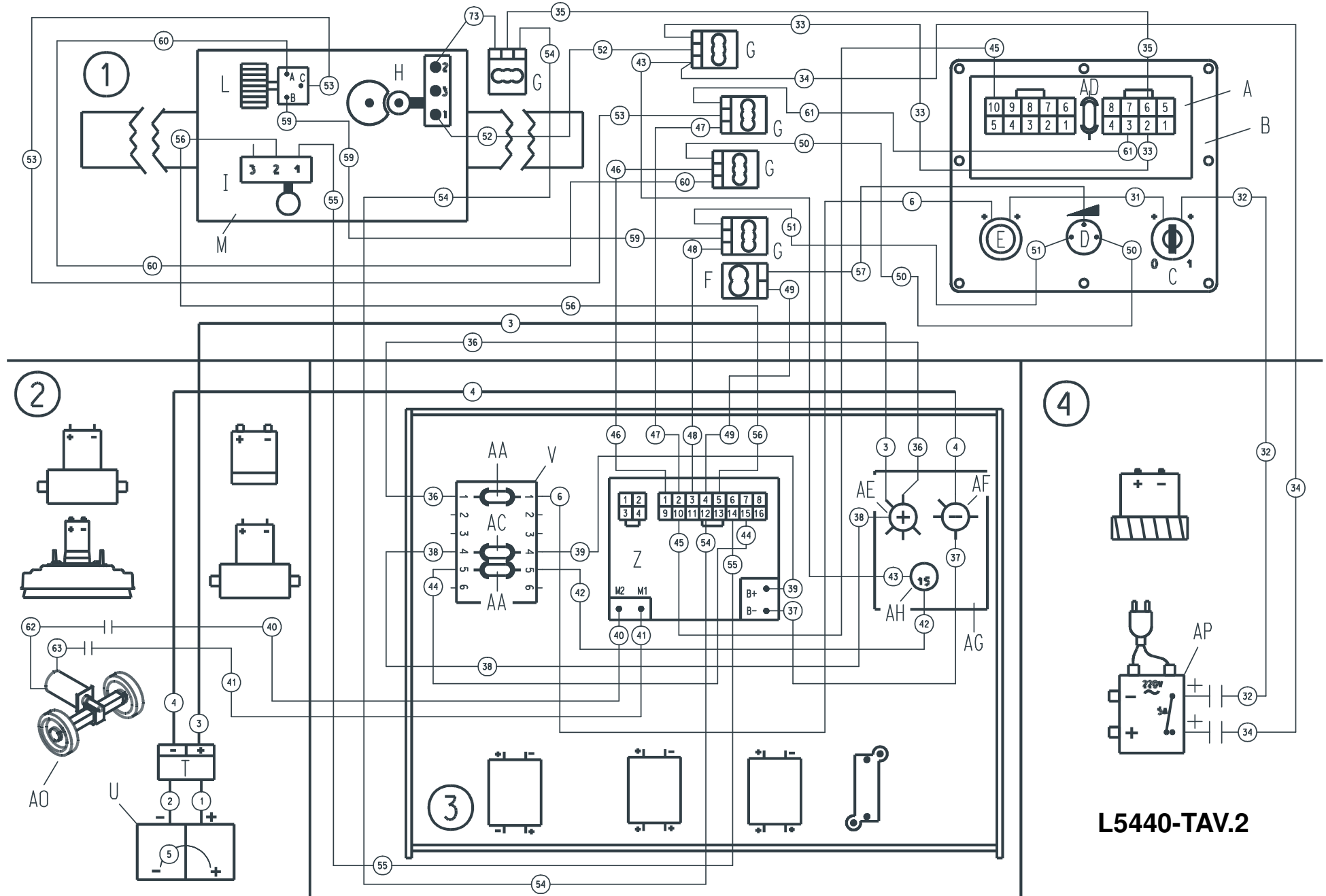
	IMPIANTO ELETTRICO	ELECTRICAL WIRING	ELEKTRISCHE ANLAGE	INSTALLATION ELECTRIQUE	INSTALACION ELECTRICA
1	Plancia	Control board	Armaturenbrett	Tableau de borde commandes	Panel de mandos
2	Scocca	Chassis	Rahmen	Châssis	Chasis
3	Quadro elettrico	Electrical board	Elektrische Tafel	Tableau électrique	Cuadro eléctrico
4	Serbatoio	Tank	Tank	Réservoir	Tanque
A	Scheda funzioni COD. 490437	Functions control card P/N 490437	Funktionskarte NR. 490437	Platine de contrôle commandes COD. 490437	Tarjeta de control mandos COD. 490437
B	Plancia comandi	Control board	Armaturenbrett	Tableau de borde commandes	Cuadro de mandos
C	Blocchetto e chiave COD. 660070	Lock and key P/N 660070	Schloss und Schlüssel NR. 660070	Fiche et clé COD. 660070	Clavija y llave COD. 660070
D	Potenziometro COD. 650051	Potentiometer P/N 650051	Potentiometer NR. 650051	Potentiomètre COD. 650051	Potenciometro COD. 650051
E	Emergenza COD. 660065 COD. 560064	Emergency switch P/N 660065 P/N 560064	Notschalter Nr. 660065 Nr. 560064	Interrupteur de sécurité COD. 660065 COD. 560064	Interruptor de seguridad COD. 660065 COD. 560064
F	Morsetto COD. 640249	Clamp P/N 640249	Klemme Nr. 640249	Borne COD. 640249	Borne COD. 640249
G	Morsetto COD. 640250	Clamp P/N 640250	Klemme Nr. 640250	Borne COD. 640250	Borne COD. 640250
H	Microinterruttore COD. 650057	Microswitch P/N 650057	Mikroschalter NR. 650057	Micro interrupteur COD. 650057	Microinterruptor COD. 650057
I	Microinterruttore anti-schiacciamento COD. 650053	Anti-crushing microswitch P/N 650053	Miss-Zerdrücken Mikroschalter NR. 650053	Micro interrupteur anti-écrasement COD. 650053	Microinterruptor anti-aplastamiento COD. 650053
L	Potenziometro COD. 650052	Potentiometer P/N 650052	Potentiometer Nr. 650052	Potentiomètre COD. 650052	Potenciometro COD. 650052
M	Gruppo di guida	Guide assembly	Führungsgruppe	Groupe guide	Grupo guía
T	Connettore COD. 640037 COD. 640038	Connector P/N 640037 P/N 640038	Stecker Nr. 640037 Nr. 640038	Connecteur COD. 640037 COD. 640038	Connector COD. 640037 COD. 640038
U	Batteria	Battery	Batterie	Batterie	Batería
V	Portafusibile COD. 640231	Fuse holder P/N 640231	Sicherungshalter NR. 640231	Porte fusible COD. 640231	Portafusible COD. 640231
Z	Scheda trazione COD. 660063	Drive card P/N 660063	Antriebskarte NR 660063	Platine traction COD. 660063	Tarjeta tracción COD. 660063
AA	Fusibile 5A COD. 640108	Fuse 5A P/N 640108	Sicherung 5A NR. 640108	Fusible 5A COD. 640108	Fusible 5 A COD. 640108
AC	Fusibile 30A COD. 640114	Fuse 30 A P/N 640114	Sicherung 30 A NR. 640114	Fusible 30A COD. 640114	Fusible 30 A COD. 640114
AD	Fusibile 15A COD. 640111	Fuse 15 A P/N 640111	Sicherung 15 A NR. 640111	Fusible 15A COD. 640111	Fusible 15 A COD. 640111
AE	Polo positivo	Positive pole	Pluspol	Pôle positif	Polo positivo
AF	Polo negativo	Negative pole	Minuspol	Pôle négatif	Polo negativo
AG	Basetta in bachelite COD. 360333	Bakelite base P/N 360333	Socket aus Bakelit NR. 360333	Planche en bakélite COD. 360333	Tablero en baquelita COD. 360333
AH	Polo positivo chiave	Positive pole	Plus Pol	Pôle positif	Polo positivo
AO	Motoriduttore trazione COD. 900625	Drive motor reducer P/N 900625	Antriebs-Getriebemotor NR 900625	Moto réducteur traction COD. 900625	Motorreductor tracción COD. 900625
AP	Caricabatteria COD. 660071	Battery charger P/N 660071	Ladegerät NR. 660071	Chargeur de batteries COD. 660071	Cargabaterías COD. 660071



L5440-TAV.1

SCHEMA IMPIANTO ELETTRICO E51-V3-ECO / M510-V3-ECO
ELECTRICAL WIRING DIAGRAM E51-V3-ECO / M510-V3-ECO
ELEKTRISCHE ANLAGE SCHALTPLAN E51-V3-ECO / M510-V3-ECO
CIRCUIT ELECTRIQUE E51-V3-ECO / M510-V3-ECO
ESQUEMA ELECTRICO E51-V3-ECO / M510-V3-ECO

	IMPIANTO ELETTRICO	ELECTRICAL WIRING	ELEKTRISCHE ANLAGE	INSTALLATION ELECTRIQUE	INSTALACION ELECTRICA
1	Plancia	Control board	Armaturenbrett	Tableau de borde commandes	Panel de mandos
2	Scocca	Chassis	Rahmen	Châssis	Chasis
3	Quadro elettrico	Electrical board	Elektrische Tafel	Tableau électrique	Quadro eléctrico
4	Serbatoio	Tank	Tank	Réservoir	Tanque
A	Scheda funzioni COD. 490438	Functions control card P/N 490438	Funktionskarte NR. 490438	Platine de contrôle commandes COD. 490438	Tarjeta de control mandos COD. 490438
B	Plancia comandi	Control board	Armaturenbrett	Tableau de borde commandes	Cuadro de mandos
C	Blocchetto e chiave COD. 660070	Lock and key P/N 660070	Schloss und Schlüssel NR. 660070	Fiche et clé COD. 660070	Clavija y llave COD. 660070
E	Emergenza COD. 660065 COD. 560064	Emergency switch P/N 660065 P/N 560064	Notschalter Nr. 660065 Nr. 560064	Interrupteur de sécurité COD. 660065 COD. 560064	Interruptor de seguridad COD. 660065 COD. 560064
R	Motoriduttore monospazzola COD. 610044	Motor reducer – one brush P/N 610044	Getriebemotor- Eine Bürste Nr. 610044	Moto réducteur mono brosse COD. 610044	Motorreductor mono cepillo COD. 610044
S	Aspiratore COD. 900630	Vacuum cleaner P/N 900630	Staubsauger NR. 900630	Aspirateur COD. 900630	Aspirador COD. 900630
T	Connettore COD. 640037 COD. 640038	Connector P/N 640037 P/N 640038	Stecker Nr. 640037 Nr. 640038	Connecteur COD. 640037 COD. 640038	Connector COD. 640037 COD. 640038
U	Batteria	Battery	Batterie	Batterie	Batería
V	Portafusibile	Fuse holder	Sicherungshalter	Porte fusible	Portafusible
AA	Fusibile 5A COD. 640108	Fuse 5A P/N 640108	Sicherung 5A NR. 640108	Fusible 5A COD. 640108	Fusible 5 A COD. 640108
AC	Fusibile 30A COD. 640114	Fuse 30 A P/N 640114	Sicherung 30 A NR. 640114	Fusible 30A COD. 640114	Fusible 30 A COD. 640114
AD	Fusibile 15A COD. 640111	Fuse 15 A P/N 640111	Sicherung 15 A NR. 640111	Fusible 15A COD. 640111	Fusible 15 A COD. 640111
AE	Polo positivo	Positive pole	Pluspol	Pôle positif	Polo positivo
AF	Polo negativo	Negative pole	Minuspol	Pôle négatif	Polo negativo
AG	Basetta in bachelite COD. 360333	Bakelite base P/N 360333	Socket aus Bakelit NR. 360333	Planche en bakélite COD. 360333	Tablero en baquelita COD. 360333
AI	Teleruttore sgancio spazzola COD. 650055	Brush unhook remote switch P/n 650055	Bürste Loshaken Fernschalter Nr. 650055	Telerupteur dételage brosse COD. 660055	Telerruptor desenganche cepillo COD. 650055
AL	Teleruttore spazzola COD. 650055	Brush remote switch P/n 650055	Bürste Fernschalter Nr. 650055	Telerupteur brosse COD. 650055	Telerruptor cepillo COD. 650055
AM	Teleruttore aspiratore COD. 650055	Vacuum remote switch P/n 650055	Staubsauger Fernschalter Nr. 650055	Telerupteur aspirateur COD. 650055	Telerruptor aspirador COD. 650055
AN	Fusibile 50A COD. 640174	Fuse 50 A P/N 640174	Sicherung 50 A NR. 640174	Fusible 50 A COD. 640174	Fusible 50 A COD. 640174
AP	Caricabatteria COD. 660071	Battery charger P/N 660071	Ladegerät NR. 660071	Chargeur de batteries COD. 660071	Cargabaterías COD. 660071

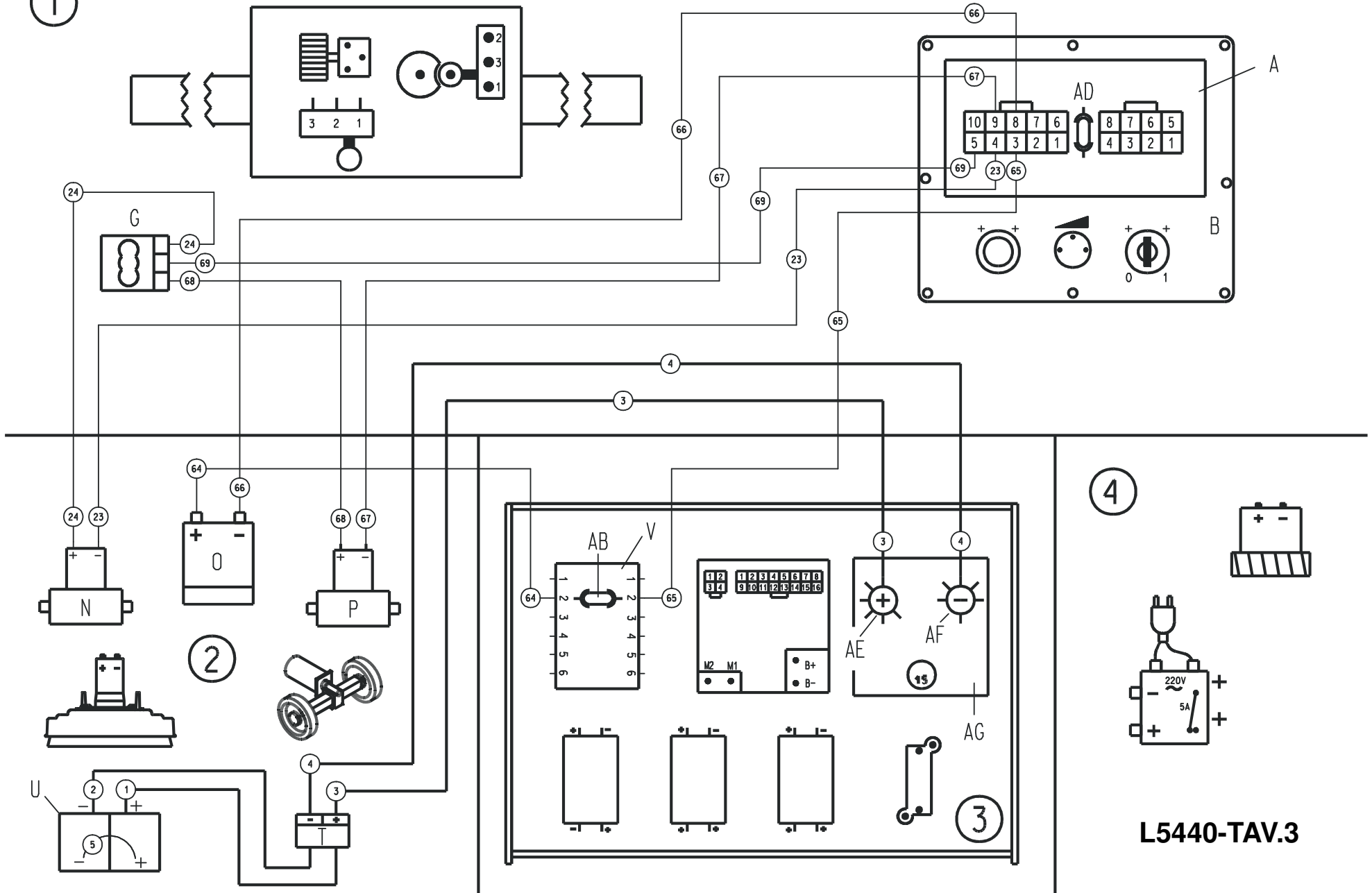


L5440-TAV.2

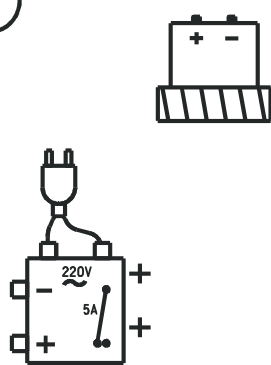
SCHEMA IMPIANTO ELETTRICO E51-V3-ECO / M510-V3-ECO
ELECTRICAL WIRING DIAGRAM E51-V3-ECO / M510-V3-ECO
ELEKTRISCHE ANLAGE SCHALTPLAN E51-V3-ECO / M510-V3-ECO
CIRCUIT ELECTRIQUE E51-V3-ECO / M510-V3-ECO
ESQUEMA ELECTRICO E51-V3-ECO / M510-V3-ECO

	IMPIANTO ELETTRICO	ELECTRICAL WIRING	ELEKTRISCHE ANLAGE	INSTALLATION ELECTRIQUE	INSTALACION ELECTRICA
1	Plancia	Control board	Armaturen Brett	Tableau de borde commandes	Panel de mandos
2	Scocca	Chassis	Rahmen	Châssis	Chasis
3	Quadro elettrico	Electrical board	Elektrische Tafel	Tableau électrique	Quadro eléctrico
4	Serbatoio	Tank	Tank	Réservoir	Tanque
A	Scheda funzioni COD. 490438	Functions control card P/N 490438	Funktionskarte NR. 490438	Platine de contrôle commandes COD. 490438	Tarjeta de control mandos COD. 490438
B	Plancia comandi	Control board	Armaturen Brett	Tableau de borde commandes	Cuadro de mandos
C	Blocchetto e chiave COD. 660070	Lock and key P/N 660070	Schloss und Schlüssel NR. 660070	Fiche et clé COD. 660070	Clavija y llave COD. 660070
D	Potenziometro COD. 650051	Potentiometer P/N 650051	Potentiometer NR. 650051	Potentiomètre COD. 650051	Potenciometro COD. 650051
E	Emergenza COD. 660065 COD. 560064	Emergency switch P/N 660065 P/N 560064	Notschalter Nr. 660065 Nr. 560064	Interrupteur de sécurité COD. 660065 COD. 560064	Interruptor de seguridad COD. 660065 COD. 560064
F	Morsetto COD. 640249	Clamp P/N 640249	Klemme Nr. 640249	Borne COD. 640249	Borne COD. 640249
G	Morsetto COD. 640250	Clamp P/N 640250	Klemme Nr. 640250	Borne COD. 640250	Borne COD. 640250
H	Microinterruttore COD. 650057	Microswitch P/N 650057	Mikroschalter NR. 650057	Micro interrupteur COD. 650057	Microinterruptor COD. 650057
I	Microinterruttore anti-schiacciamento COD. 650053	Anti-crushing microswitch P/N 650053	Miss-Zerdrücken Mikroschalter NR. 650053	Micro interrupteur anti-écrasement COD. 650053	Microinterruptor anti-aplastamiento COD. 650053
L	Potenziometro COD. 650052	Potentiometer P/N 650052	Potentiometer Nr. 650052	Potentiomètre COD. 650052	Potenciometro COD. 650052
M	Gruppo di guida	Guide assembly	Führungsgruppe	Groupe guide	Grupo guía
T	Connettore batteria COD. 640037 COD. 640038	Battery Connector P/N 640037 P/N 640038	Batterie Stecker Nr. 640037 Nr. 640038	Connecteur batterie COD. 640037 COD. 640038	Connector batería COD. 640037 COD. 640038
U	Batteria	Battery	Batterie	Batterie	Batería
V	Portafusibile COD. 640231	Fuse holder P/N 640231	Sicherungshalter NR. 640231	Porte fusible COD. 640231	Portafusible COD. 640231
Z	Scheda trazione COD. 660063	Drive card P/N 660063	Antriebskarte NR 660063	Platine traction COD. 660063	Tarjeta tracción COD. 660063
AA	Fusibile 5A COD. 640108	Fuse 5A P/N 640108	Sicherung 5A NR. 640108	Fusible 5A COD. 640108	Fusible 5 A COD. 640108
AC	Fusibile 30A COD. 640114	Fuse 30 A P/N 640114	Sicherung 30 A NR. 640114	Fusible 30A COD. 640114	Fusible 30 A COD. 640114
AD	Fusibile 15A COD. 640111	Fuse 15 A P/N 640111	Sicherung 15 A NR. 640111	Fusible 15A COD. 640111	Fusible 15 A COD. 640111
AE	Polo positivo	Positive pole	Pluspol	Pôle positif	Polo positivo
AF	Polo negativo	Negative pole	Minuspol	Pôle négatif	Polo negativo
AG	Basetta in bachelite COD. 360333	Bakelite base P/N 360333	Sockel aus Bakelit NR. 360333	Planche en bakélite COD. 360333	Tablero en baquelita COD. 360333
AH	Polo positivo chiave	Positive pole	Plus Pol	Pôle positif	Polo positivo
AO	Motoriduttore trazione COD. 900625	Drive motor reducer P/N 900625	Antriebs-Getriebemotor NR 900625	Moto réducteur traction COD. 900625	Motorreductor tracción COD. 900625
AP	Caricabatteria COD. 660071	Battery charger P/N 660071	Ladegerät NR. 660071	Chargeur de batteries COD. 660071	Cargabaterías COD. 660071

1



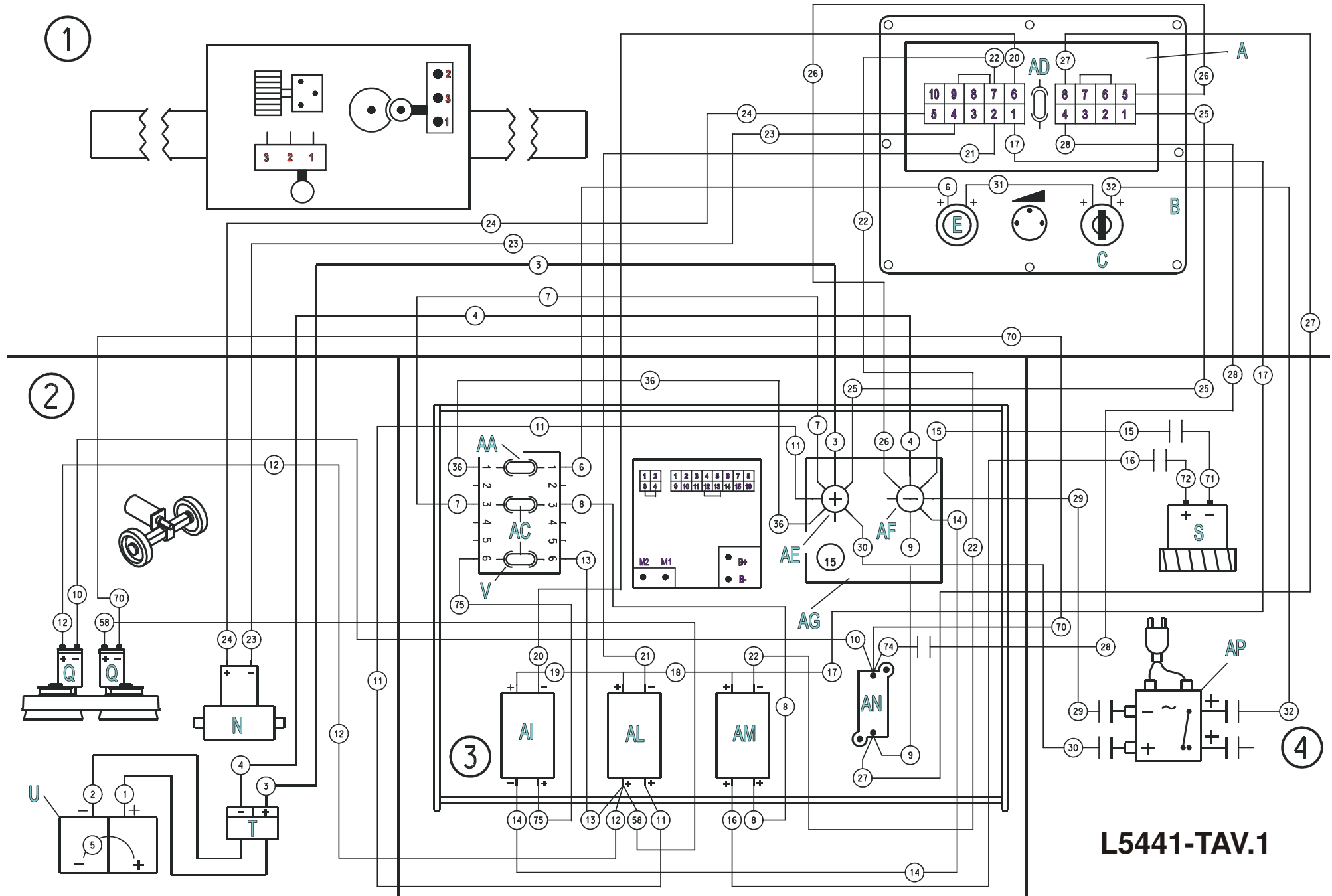
4



L5440-TAV.3

SCHEMA IMPIANTO ELETTRICO E51-V3-ECO / M510-V3-ECO
ELECTRICAL WIRING DIAGRAM E51-V3-ECO / M510-V3-ECO
ELEKTRISCHE ANLAGE SCHALTPLAN E51-V3-ECO / M510-V3-ECO
CIRCUIT ELECTRIQUE E51-V3-ECO / M510-V3-ECO
ESQUEMA ELECTRICO E51-V3-ECO / M510-V3-ECO

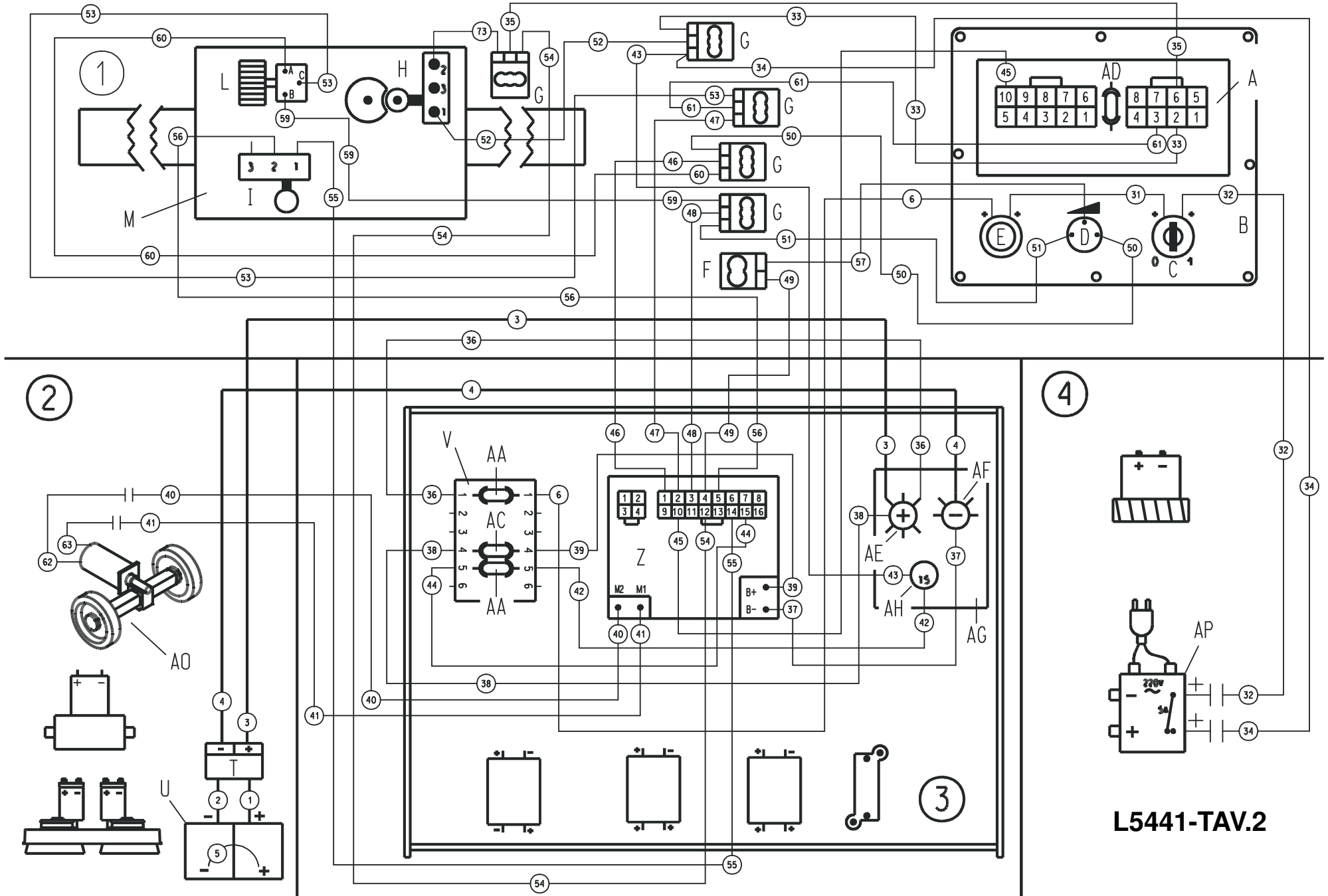
	IMPIANTO ELETTRICO	ELECTRICAL WIRING	ELEKTRISCHE ANLAGE	INSTALLATION ELECTRIQUE	INSTALACION ELECTRICA
<i>1</i>	Plancia	Control board	Armaturenbrett	Tableau de borde commandes	Panel de mandos
<i>2</i>	Scocca	Chassis	Rahmen	Châssis	Chasis
<i>3</i>	Quadro elettrico	Electrical board	Elektrische Tafel	Tableau électrique	Cuadro eléctrico
<i>4</i>	Serbatoio	Tank	Tank	Réservoir	Tanque
<i>A</i>	Scheda funzioni COD. 490438	Functions control card P/N 490438	Funktionskarte NR. 490438	Platine de contrôle commandes COD. 490438	Tarjeta de control mandos COD. 490438
<i>B</i>	Plancia comandi	Control board	Armaturenbrett	Tableau de borde commandes	Cuadro de mandos
<i>G</i>	Morsetto COD. 640250	Clamp P/N 640250	Klemme Nr. 640250	Borne COD. 640250	Borne COD. 640250
<i>N</i>	Elettrovalvola acqua pulita COD. 660062	Solution electrovalve P/N 660062	Frischwasser Elektroventil Nr. 660062	Electrovalve eau propre COD. 660062	Electroválvula agua limpia COD. 660062
<i>O</i>	Elettropompa COD. 580221	Electric pump P/N 580221	Elektropumpe NR. 580221	Electropompe COD. 580221	Electrobomba COD. 580221
<i>P</i>	Elettrovalvola ecolavaggio COD. 660062	Eco-cleaning electrovalve P/N 660062	Eco-Reinigung Elektroventil NR. 660062	Electrovalve nettoyage "eco" COD. 660062	Electroválvula limpiado "eco" COD. 660062
<i>T</i>	Connettore batteria COD. 640037 COD. 640038	Battery Connector P/N 640037 P/N 640038	Batterie Stecker Nr. 640037 Nr. 640038	Connecteur batterie COD. 640037 COD. 640038	Connector batería COD. 640037 COD. 640038
<i>U</i>	Batteria	Battery	Batterie	Batterie	Batería
<i>V</i>	Portafusibile COD. 640231	Fuse holder P/N 640231	Sicherungshalter NR. 640231	Porte fusible COD. 640231	Portafusible COD. 640231
<i>AB</i>	Fusibile 7,5A COD. 640109	Fuse 7,5A P/N 640109	Sicherung 7,5 A NR. 640109	Fusible 7,5A COD. 640109	Fusible 7,5 A COD. 640109
<i>AD</i>	Fusibile 15A COD. 640111	Fuse 15 A P/N 640111	Sicherung 15 A NR. 640111	Fusible 15A COD. 640111	Fusible 15 A COD. 640111
<i>AE</i>	Polo positivo	Positive pole	Pluspol	Pôle positif	Polo positivo
<i>AF</i>	Polo negativo	Negative pole	Minuspol	Pôle négatif	Polo negativo
<i>AG</i>	Basetta in bachelite COD. 360333	Bakelite base P/N 360333	Socket aus Bakelit NR. 360333	Planche en bakélite COD. 360333	Tablero en baquelita COD. 360333



L5441-TAV.1

SCHEMA IMPIANTO ELETTRICO E61-V2-TRAC / M610-V2-TRAC
GENERAL WIRING DIAGRAM E61-V2-TRAC / M610-V2-TRAC
THE ANLAGE SCHALTPLAN E61-V2-TRAC / M610-V2-TRAC
SCHEMA ELECTRIQUE E61-V2-TRAC / M610-V2-TRAC
SCHEMA ELECTRICO E61-V2-TRAC / M610-V2-TRAC

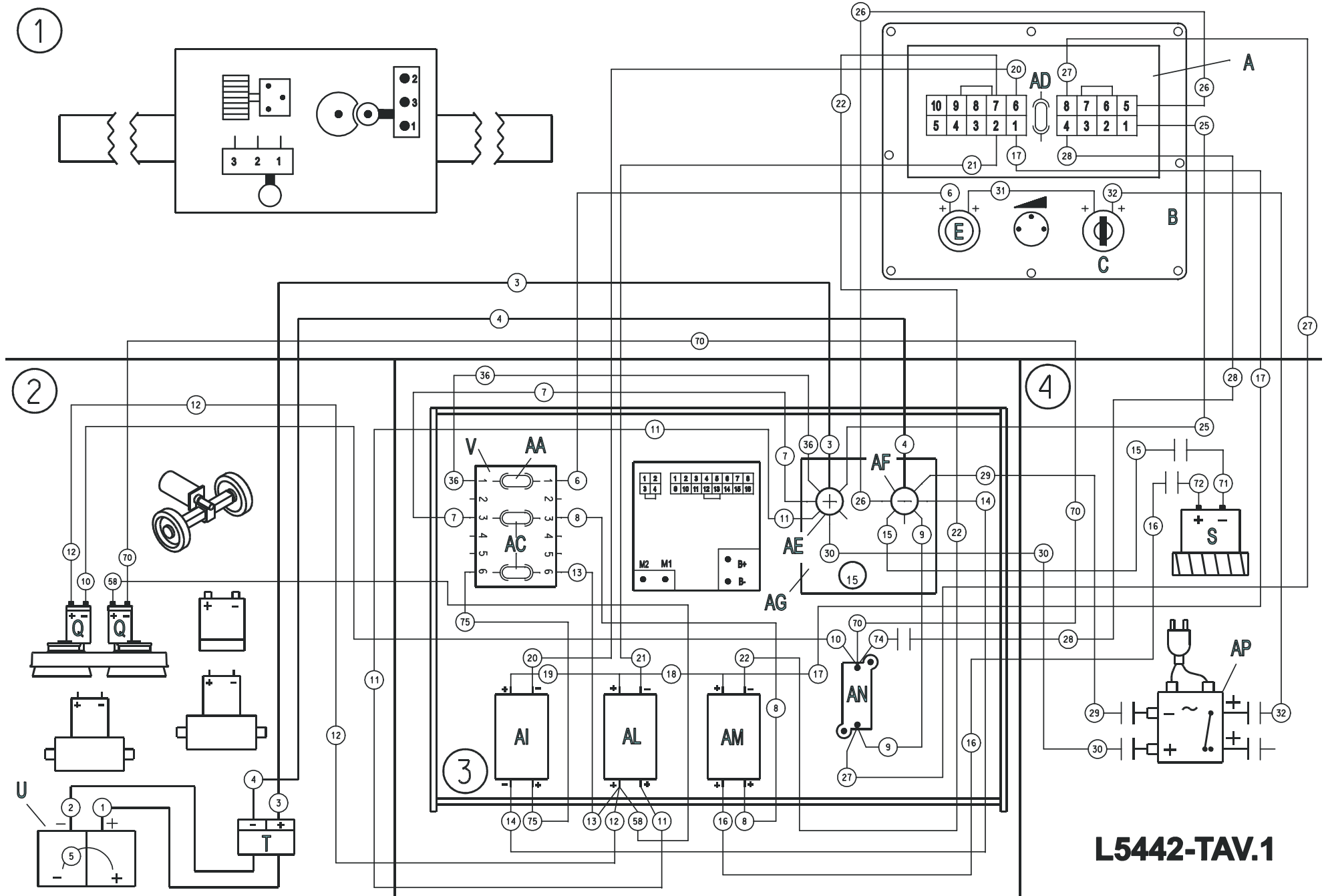
	IMPIANTO ELETTRICO	ELECTRICAL WIRING	ELEKTRISCHE ANLAGE	INSTALLATION ELECTRIQUE	INSTALACION ELECTRICA
1	Plancia	Control board	Armaturenbrett	Tableau de borde commandes	Panel de mandos
2	Scocca	Chassis	Rahmen	Châssis	Chasis
3	Quadro elettrico	Electrical board	Elektrische Tafel	Tableau électrique	Cuadro eléctrico
4	Serbatoio	Tank	Tank	Réservoir	Tanque
A	Scheda funzioni COD. 490439	Functions control card P/N 490439	Funktionskarte NR. 490439	Platine de contrôle commandes COD. 490439	Tarjeta de control mandos COD. 490439
B	Plancia comandi	Control board	Armaturenbrett	Tableau de borde commandes	Cuadro de mandos
C	Blocchetto e chiave COD. 660070	Lock and key P/N 660070	Schloss und Schlüssel NR. 660070	Fiche et clé COD. 660070	Clavija y llave COD. 660070
E	Emergenza COD. 660065 COD. 560064	Emergency switch P/N 660065 P/N 560064	Notschalter Nr. 660065 Nr. 560064	Interrupteur de sécurité COD. 660065 COD. 560064	Interruptor de seguridad COD. 660065 COD. 560064
N	Elettrovalvola acqua pulita COD. 660062	Solution electrovalve P/N 660062	Frischwasser Elektroventil Nr. 660062	Electrovalve eau propre COD. 660062	Electroválvula agua limpia COD. 660062
Q	Motoriduttore doppia spazzola COD. 610043	Motor reducer – double brushes P/N 610043	Getriebemotor-Doppel Bürste Nr. 610043	Moto réducteur double brosse COD. 610043	Motorreductor doble cepillo COD. 610043
S	Aspiratore COD. 900630	Vacuum cleaner P/N 900630	Staubsauger NR. 900630	Aspirateur COD. 900630	Aspirador COD. 900630



L5441-TAV.2

SCHEMA IMPIANTO ELETTRICO E61-V2-TRAC / M610-V2-TRAC
ELECTRICAL WIRING DIAGRAM E61-V2-TRAC / M610-V2-TRAC
ELEKTRISCHE ANLAGE SCHALTPLAN E61-V2-TRAC / M610-V2-TRAC
CIRCUIT ELECTRIQUE E61-V2-TRAC / M610-V2-TRAC
ESQUEMA ELECTRICO E61-V2-TRAC / M610-V2-TRAC

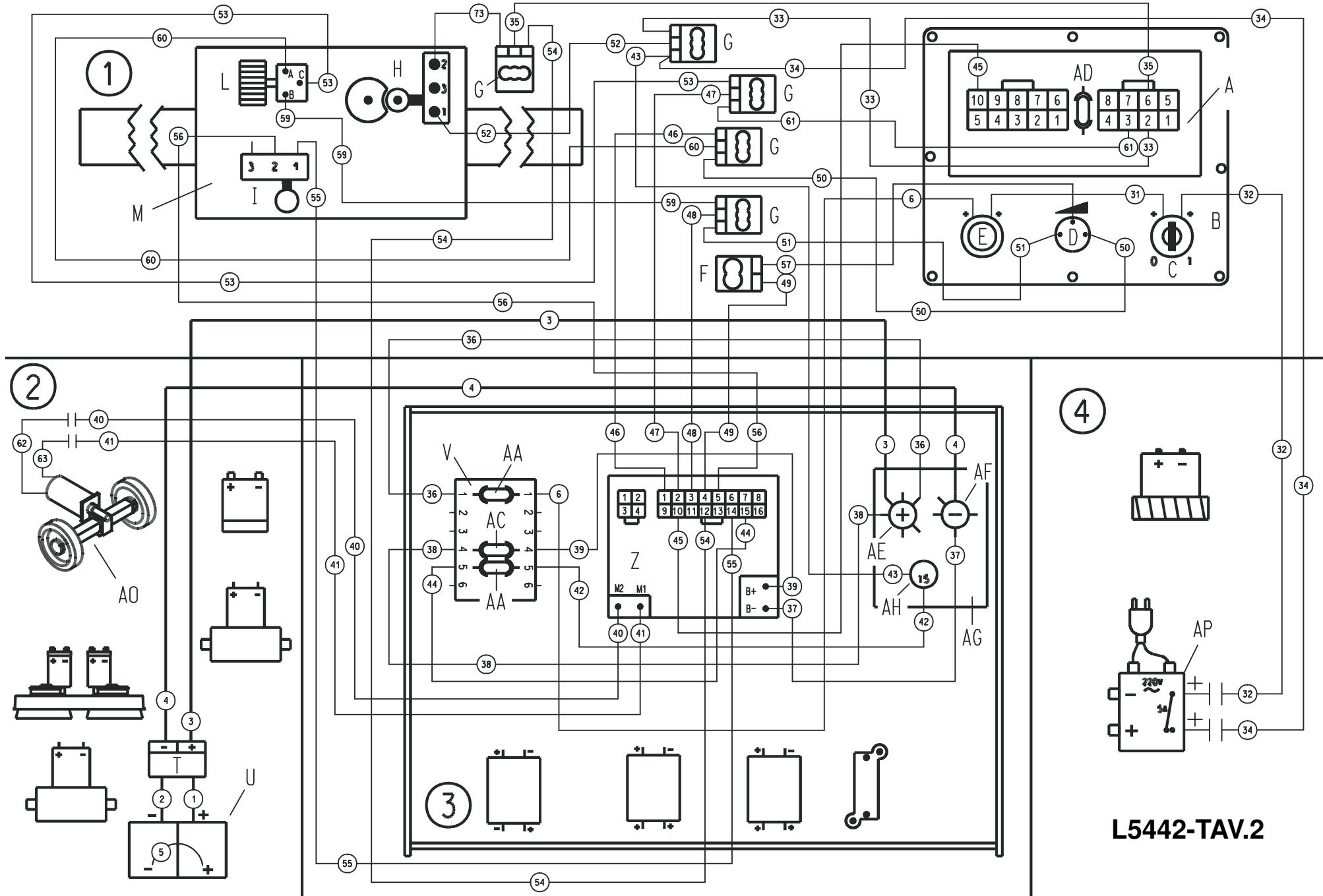
	IMPIANTO ELETTRICO	ELECTRICAL WIRING	ELEKTRISCHE ANLAGE	INSTALLATION ELECTRIQUE	INSTALACION ELECTRICA
1	Plancia	Control board	Armaturen Brett	Tableau de borde commandes	Panel de mandos
2	Scocca	Chassis	Rahmen	Châssis	Chasis
3	Quadro elettrico	Electrical board	Elektrische Tafel	Tableau électrique	Quadro eléctrico
4	Serbatoio	Tank	Tank	Réservoir	Tanque
A	Scheda funzioni COD. 490439	Functions control card P/N 490439	Funktionskarte NR. 490439	Platine de contrôle commandes COD. 490439	Tarjeta de control mandos COD. 490439
B	Plancia comandi	Control board	Armaturen Brett	Tableau de borde commandes	Cuadro de mandos
C	Blocchetto e chiave COD. 660070	Lock and key P/N 660070	Schloss und Schlüssel NR. 660070	Fiche et clé COD. 660070	Clavija y llave COD. 660070
D	Potenziometro COD. 650051	Potentiometer P/N 650051	Potentiometer NR. 650051	Potentiomètre COD. 650051	Potenciometro COD. 650051
E	Emergenza COD. 660065 COD. 560064	Emergency switch P/N 660065 P/N 560064	Notschalter Nr. 660065 Nr. 560064	Interrupteur de sécurité COD. 660065 COD. 560064	Interruptor de seguridad COD. 660065 COD. 560064
F	Morsetto COD. 640249	Clamp P/N 640249	Klemme Nr. 640249	Borne COD. 640249	Borne COD. 640249
G	Morsetto COD. 640250	Clamp P/N 640250	Klemme Nr. 640250	Borne COD. 640250	Borne COD. 640250
H	Microinterruttore COD. 650057	Microswitch P/N 650057	Mikroschalter NR. 650057	Micro interrupteur COD. 650057	Microinterruptor COD. 650057
I	Microinterruttore anti-schiacciamento COD. 650053	Anti-crushing microswitch P/N 650053	Miss-Zerdrücken Mikroschalter NR. 650053	Micro interrupteur anti-écrasement COD. 650053	Microinterruptor anti-aplastamiento COD. 650053
L	Potenziometro COD. 650052	Potentiometer P/N 650052	Potentiometer NR. 650052	Potentiomètre COD. 650052	Potenciometro COD. 650052
M	Gruppo di guida	Guide assembly	Führungsgruppe	Groupe guide	Grupo guía
T	Connettore batteria COD. 640037 COD. 640038	Battery Connector P/N 640037 P/N 640038	Batterie Stecker Nr. 640037 Nr. 640038	Connecteur batterie COD. 640037 COD. 640038	Connector batería COD. 640037 COD. 640038
U	Batteria	Battery	Batterie	Batterie	Batería
V	Portafusibile COD. 640231	Fuse holder P/N 640231	Sicherungshalter NR. 640231	Porte fusible COD. 640231	Portafusible COD. 640231
Z	Scheda trazione COD. 660063	Drive card P/N 660063	Antriebskarte NR 660063	Platine traction COD. 660063	Tarjeta tracción COD. 660063
AA	Fusibile 5A COD. 640108	Fuse 5A P/N 640108	Sicherung 5A NR. 640108	Fusible 5A COD. 640108	Fusible 5 A COD. 640108
AC	Fusibile 30A COD. 640114	Fuse 30 A P/N 640114	Sicherung 30 A NR. 640114	Fusible 30A COD. 640114	Fusible 30 A COD. 640114
AD	Fusibile 15A COD. 640111	Fuse 15 A P/N 640111	Sicherung 15 A NR. 640111	Fusible 15A COD. 640111	Fusible 15 A COD. 640111
AE	Polo positivo	Positive pole	Pluspol	Pôle positif	Polo positivo
AF	Polo negativo	Negative pole	Minuspol	Pôle négatif	Polo negativo
AG	Basetta in bachelite COD. 360333	Bakelite base P/N 360333	Sockel aus Bakelit NR. 360333	Planche en bakélite COD. 360333	Tablero en baquelita COD. 360333
AH	Polo positivo chiave	Positive pole	Plus Pol	Pôle positif clé	Polo positivo llave
AO	Motoriduttore trazione COD. 900625	Drive motor reducer P/N 900625	Antriebs-Getriebemotor NR 900625	Moto réducteur traction COD. 900625	Motorreductor tracción COD. 900625
AP	Caricabatteria COD. 660071	Battery charger P/N 660071	Ladegerät NR. 660071	Chargeur de batteries COD. 660071	Cargabaterías COD. 660071



L5442-TAV.1

SCHEMA IMPIANTO ELETTRICO E61-V3-ECO / M610-V3-ECO
ELECTRICAL WIRING DIAGRAM E61-V3-ECO / M610-V3-ECO
ELEKTRISCHE ANLAGE SCHALTPLAN E61-V3-ECO / M610-V3-ECO
CIRCUIT ELECTRIQUE E61-V3-ECO / M610-V3-ECO
ESQUEMA ELECTRICO E61-V3-ECO / M610-V3-ECO

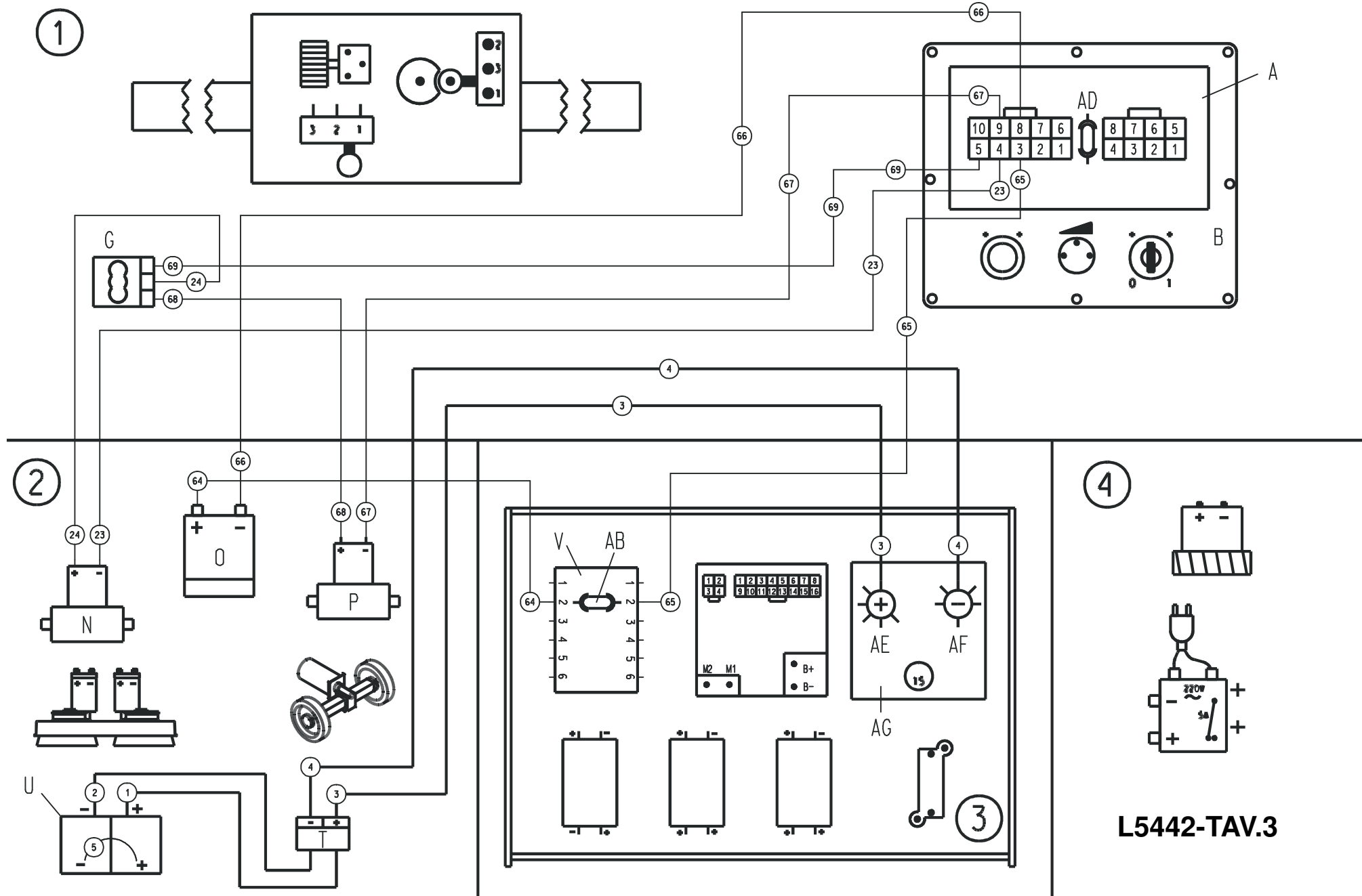
	IMPIANTO ELETTRICO	ELECTRICAL WIRING	ELEKTRISCHE ANLAGE	INSTALLATION ELECTRIQUE	INSTALACION ELECTRICA
1	Plancia	Control board	Armaturen Brett	Tableau de borde commandes	Panel de mandos
2	Scocca	Chassis	Rahmen	Châssis	Chasis
3	Quadro elettrico	Electrical board	Elektrische Tafel	Tableau électrique	Quadro eléctrico
4	Serbatoio	Tank	Tank	Réservoir	Tanque
A	Scheda funzioni COD. 490440	Functions control card P/N 490440	Funktionskarte NR. 490440	Platine de contrôle commandes COD. 490440	Tarjeta de control mandos COD. 490440
B	Plancia comandi	Control board	Armaturen Brett	Tableau de borde commandes	Cuadro de mandos
C	Blocchetto e chiave COD. 660070	Lock and key P/N 660070	Schloss und Schlüssel NR. 660070	Fiche et clé COD. 660070	Clavija y llave COD. 660070
E	Emergenza COD. 660065 COD. 560064	Emergency switch P/N 660065 P/N 560064	Notschalter Nr. 660065 Nr. 560064	Interrupteur de sécurité COD. 660065 COD. 560064	Interruptor de seguridad COD. 660065 COD. 560064
Q	Motoriduttore doppia spazzola COD. 610043	Motor reducer – double brushes P/N 610043	Getriebemotor-Doppel Bürste Nr. 610043	Moto réducteur double brosse COD. 610043	Motorreductor doble cepillo COD. 610043
S	Aspiratore COD. 900630	Vacuum cleaner P/N 900630	Staubsauger NR. 900630	Aspirateur COD. 900630	Aspirador COD. 900630
T	Connettore batteria COD. 640037 COD. 640038	Battery Connectors P/N 640037 P/N 640038	Batterie Stecker Nr. 640037 Nr. 640038	Connecteur batterie COD. 640037 COD. 640038	Connector batería COD. 640037 COD. 640038
U	Batteria	Battery	Batterie	Batterie	Batería
V	Portafusibile COD. 640231	Fuse holder P/N 640231	Sicherungshalter NR. 640231	Porte fusible COD. 640231	Portafusible COD. 640231
AA	Fusibile 5A COD. 640108	Fuse 5A P/N 640108	Sicherung 5A NR. 640108	Fusible 5A COD. 640108	Fusible 5 A COD. 640108
AC	Fusibile 30A COD. 640114	Fuse 30 A P/N 640114	Sicherung 30 A NR. 640114	Fusible 30A COD. 640114	Fusible 30 A COD. 640114
AD	Fusibile 15A COD. 640111	Fuse 15 A P/N 640111	Sicherung 15 A NR. 640111	Fusible 15A COD. 640111	Fusible 15 A COD. 640111
AE	Polo positivo	Positive pole	Pluspol	Pôle positif	Polo positivo
AF	Polo negativo	Negative pole	Minuspol	Pôle négatif	Polo negativo
AG	Basetta in bachelite COD. 360333	Bakelite base P/N 360333	Socket aus Bakelit NR. 360333	Planche en bakélite COD. 360333	Tablero en baquelita COD. 360333
AI	Teleruttore sgancio spazzola COD. 650055	Brush unhook remote switch P/n 650055	Bürste Loshaken Fernschalter Nr. 650055	Telerrupteur dételage brosse COD. 660055	Telerruptor desenganche cepillo COD. 650055
AL	Teleruttore spazzola COD. 650055	Brush remote switch P/n 650055	Bürste Fernschalter Nr. 650055	Telerrupteur brosse COD. 650055	Telerruptor cepillo COD. 650055
AM	Teleruttore aspiratore COD. 650055	Vacuum remote switch P/n 650055	Staubsauger Fernschalter Nr. 650055	Telerrupteur aspirateur COD. 650055	Telerruptor aspirador COD. 650055
AN	Fusibile 50A COD. 640174	Fuse 50 A P/N 640174	Sicherung 50 A NR. 640174	Fusible 50 A COD. 640174	Fusible 50 A COD. 640174
AP	Caricabatteria COD. 660071	Battery charger P/N 660071	Ladegerät NR. 660071	Chargeur de batteries COD. 660071	Cargabaterías COD. 660071



L5442-TAV.2

SCHEMA IMPIANTO ELETTRICO E61-V3-ECO / M610-V3-ECO
ELECTRICAL WIRING DIAGRAM E61-V3-ECO / M610-V3-ECO
ELEKTRISCHE ANLAGE SCHALTPLAN E61-V3-ECO / M610-V3-ECO
CIRCUIT ELECTRIQUE E61-V3-ECO / M610-V3-ECO
ESQUEMA ELECTRICO E61-V3-ECO / M610-V3-ECO

	IMPIANTO ELETTRICO	ELECTRICAL WIRING	ELEKTRISCHE ANLAGE	INSTALLATION ELECTRIQUE	INSTALACION ELECTRICA
1	Plancia	Control board	Armaturen Brett	Tableau de borde commandes	Panel de mandos
2	Scocca	Chassis	Rahmen	Châssis	Chasis
3	Quadro elettrico	Electrical board	Elektrische Tafel	Tableau électrique	Quadro eléctrico
4	Serbatoio	Tank	Tank	Réservoir	Tanque
A	Scheda funzioni COD. 490440	Functions control card P/N 490440	Funktionskarte NR. 490440	Platine de contrôle commandes COD. 490440	Tarjeta de control mandos COD. 490440
B	Plancia comandi	Control board	Armaturen Brett	Tableau de borde commandes	Cuadro de mandos
C	Blocchetto e chiave COD. 660070	Lock and key P/N 660070	Schloss und Schlüssel NR. 660070	Fiche et clé COD. 660070	Clavija y llave COD. 660070
D	Potenziometro COD. 650051	Potentiometer P/N 650051	Potentiometer NR. 650051	Potentiomètre COD. 650051	Potenciometro COD. 650051
E	Emergenza COD. 660065 COD. 560064	Emergency switch P/N 660065 P/N 560064	Notschalter Nr. 660065 Nr. 560064	Interrupteur de sécurité COD. 660065 COD. 560064	Interruptor de seguridad COD. 660065 COD. 560064
F	Morsetto COD. 640249	Clamp P/N 640249	Klemme Nr. 640249	Borne COD. 640249	Borne COD. 640249
G	Morsetto COD. 640250	Clamp P/N 640250	Klemme Nr. 640250	Borne COD. 640250	Borne COD. 640250
H	Microinterruttore COD. 650057	Microswitch P/N 650057	Mikroschalter NR. 650057	Micro interrupteur COD. 650057	Microinterruptor COD. 650057
I	Microinterruttore anti-schiacciamento COD. 650053	Anti-crushing microswitch P/N 650053	Miss-Zerdrücken Mikroschalter NR. 650053	Micro interrupteur anti-écrasement COD. 650053	Microinterruptor anti-aplastamiento COD. 650053
L	Potenziometro COD. 650052	Potentiometer P/N 650052	Potentiometer Nr. 650052	Potentiomètre COD. 650052	Potenciometro COD. 650052
M	Gruppo di guida	Guide assembly	Führungsgruppe	Groupe guide	Grupo guía
T	Connettore batteria COD. 640037 COD. 640038	Battery Connector P/N 640037 P/N 640038	Batterie Stecker Nr. 640037 Nr. 640038	Connecteur batterie COD. 640037 COD. 640038	Connector batería COD. 640037 COD. 640038
U	Batteria	Battery	Batterie	Batterie	Batería
V	Portafusibile COD. 640231	Fuse holder P/N 640231	Sicherungshalter NR. 640231	Porte fusible COD. 640231	Portafusible COD. 640231
Z	Scheda trazione COD. 660063	Drive card P/N 660063	Antriebskarte NR 660063	Platine traction COD. 660063	Tarjeta tracción COD. 660063
AA	Fusibile 5A COD. 640108	Fuse 5A P/N 640108	Sicherung 5A NR. 640108	Fusible 5A COD. 640108	Fusible 5 A COD. 640108
AC	Fusibile 30A COD. 640114	Fuse 30 A P/N 640114	Sicherung 30 A NR. 640114	Fusible 30A COD. 640114	Fusible 30 A COD. 640114
AD	Fusibile 15A COD. 640111	Fuse 15 A P/N 640111	Sicherung 15 A NR. 640111	Fusible 15A COD. 640111	Fusible 15 A COD. 640111
AE	Polo positivo	Positive pole	Pluspol	Pôle positif	Polo positivo
AF	Polo negativo	Negative pole	Minuspol	Pôle négatif	Polo negativo
AG	Basetta in bachelite COD. 360333	Bakelite base P/N 360333	Sockel aus Bakelit NR. 360333	Planche en bakélite COD. 360333	Tablero en baquelita COD. 360333
AH	Polo positivo chiave	Positive pole	Plus Pol	Pôle positif clé	Polo positivo llave
AO	Motoriduttore trazione COD. 900625	Drive motor reducer P/N 900625	Antriebs-Getriebemotor NR 900625	Moto réducteur traction COD. 900625	Motorreductor tracción COD. 900625
AP	Caricabatteria COD. 660071	Battery charger P/N 660071	Ladegerät NR. 660071	Chargeur de batteries COD. 660071	Cargabaterías COD. 660071



L5442-TAV.3

SCHEMA IMPIANTO ELETTRICO E61-V3-ECO / M610-V3-ECO
ELECTRICAL WIRING DIAGRAM E61-V3-ECO / M610-V3-ECO
ELEKTRISCHE ANLAGE SCHALTPLAN E61-V3-ECO / M610-V3-ECO
CIRCUIT ELECTRIQUE E61-V3-ECO / M610-V3-ECO
ESQUEMA ELECTRICO E61-V3-ECO / M610-V3-ECO

	IMPIANTO ELETTRICO	ELECTRICAL WIRING	ELEKTRISCHE ANLAGE	INSTALLATION ELECTRIQUE	INSTALACION ELECTRICA
<i>1</i>	Plancia	Control board	Armaturenbrett	Tableau de borde commandes	Panel de mandos
<i>2</i>	Scocca	Chassis	Rahmen	Châssis	Chasis
<i>3</i>	Quadro elettrico	Electrical board	Elektrische Tafel	Tableau électrique	Cuadro eléctrico
<i>4</i>	Serbatoio	Tank	Tank	Réservoir	Tanque
<i>A</i>	Scheda funzioni COD. 490440	Functions control card P/N 490440	Funktionskarte NR. 490440	Platine de contrôle commandes COD. 490440	Tarjeta de control mandos COD. 490440
<i>B</i>	Plancia comandi	Control board	Armaturenbrett	Tableau de borde commandes	Cuadro de mandos
<i>G</i>	Morsetto COD. 640250	Clamp P/N 640250	Klemme Nr. 640250	Borne COD. 640250	Borne COD. 640250
<i>N</i>	Elettrovalvola acqua pulita COD. 660062	Solution electrovalve P/N 660062	Frischwasser Elektroventil Nr. 660062	Electrovalve eau propre COD. 660062	Electroválvula agua limpia COD. 660062
<i>O</i>	Elettropompa COD. 580221	Electric pump P/N 580221	Elektropumpe NR. 580221	Electropompe COD. 580221	Electrobomba COD. 580221
<i>P</i>	Elettrovalvola ecolavaggio COD. 660062	Eco-cleaning electrovalve P/N 660062	Eco-Reinigung Elektroventil NR. 660062	Electrovalve nettoyage "eco" COD. 660062	Electroválvula limpiado "eco" COD. 660062
<i>T</i>	Connettore batteria COD. 640037 COD. 640038	Battery Connector P/N 640037 P/N 640038	Batterie Stecker Nr. 640037 Nr. 640038	Connecteur batterie COD. 640037 COD. 640038	Connector bateria COD. 640037 COD. 640038
<i>U</i>	Batteria	Battery	Batterie	Batterie	Bateria
<i>V</i>	Portafusibile COD. 640231	Fuse holder P/N 640231	Sicherungshalter NR. 640231	Porte fusible COD. 640231	Portafusible COD. 640231
<i>AB</i>	Fusibile 7,5A COD. 640109	Fuse 7,5A P/N 640109	Sicherung 7,5 A NR. 640109	Fusible 7,5A COD. 640109	Fusible 7,5 A COD. 640109
<i>AD</i>	Fusibile 15A COD. 640111	Fuse 15 A P/N 640111	Sicherung 15 A NR. 640111	Fusible 15A COD. 640111	Fusible 15 A COD. 640111
<i>AE</i>	Polo positivo	Positive pole	Pluspol	Pôle positif	Polo positivo
<i>AF</i>	Polo negativo	Negative pole	Minuspol	Pôle négatif	Polo negativo
<i>AG</i>	Basetta in bachelite COD. 360333	Bakelite base P/N 360333	Socket aus Bakelit NR. 360333	Planche en bakélite COD. 360333	Tablero en baquelita COD. 360333