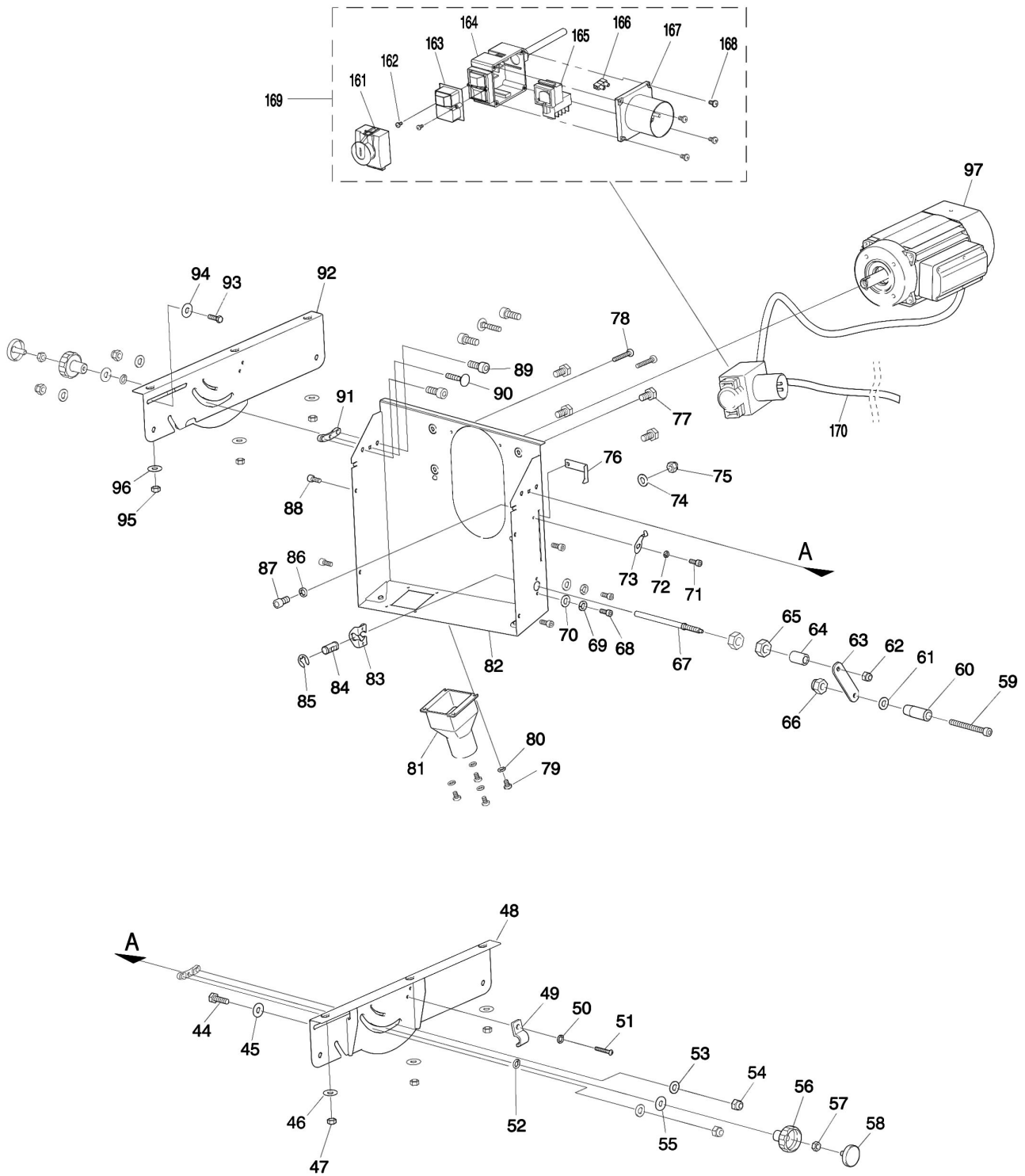


Nr.	Part nr.	Name
001	JM27100031	CROSS HEAD SCREW M5
002	JM27100032	FLAT WASHER 5
003	JM27100033	HINGE
004	JM27110001	COVER A COMPLETE
005	JM27100111	LOCKNUT M5
006	JM27100035	COVER B
007	JM27100018	FLAT WASHER 6
008	JM27100016	LOCKNUT M6
009	JM27100036	SPRING
010	JM27100104	HEX BOLT M6
011	JM27100037	LOCKNUT M12
012	JM27100038	RIVING KNIFE PRESS PLATE
013	JM27100039	RIVING KNIFE
014	JM27100040	FIX BRACKET
015	JM27100041	HEX BOLT M10
016	JM27100042	FLANGE WASHER 10
017	JM27100043	OUTER FLANGE
019	JM27100044	INNER FLANGE
020	JM27100047	CROSS HEAD SCREW M4
021	JM27100046	FLAT WASHER 4
022	JM27100048	COVER
023	JM27100049	SIDE PROTECTION
024	JM27100045	LOCKNUT M4
025	JM27100046	FLAT WASHER 4
026	JM27100046	FLAT WASHER 4
027	JM27100045	LOCKNUT M4
028	JM27100050	HEX BOLT M8
029	JM27100051	SPRING WASHER 8
030	JM27100052	FLAT WASHER 8
031	JM27100053	LOCKNUT M8
032	JM27100054	FLAT WASHER 8
033	JM27100055	ADJUSTING PIN
034	JM27100106	FLAT WASHER 8
035	JM27100057	ADJUSTING PLATE
036	JM27100056	SPLITPIN 2
037	JM27100025	E RING 10
038	JM27100053	LOCKNUT M8
039	JM27100052	FLAT WASHER 8
040	JM27100058	DOUBLE THREAD BOLT
041	JM27100072	LIFTING FRAME
042	JM27100073	SQUARE NECK BOLT M12
043	JM27100059	THREAD SLEEVE 4
044	JM27100011	HEX BOLT M6
045	JM27100018	FLAT WASHER 6
046	JM27100018	FLAT WASHER 6
047	JM27100016	LOCKNUT M6

Nr.	Part nr.	Name
048	JM27100080	ANGLE SUPPORT PLATE A
049	JM27100078	CORD CLAMP
050	JM27100032	FLAT WASHER 5
051	JM27100031	CROSS HEAD SCREW M5
052	JM27100079	E RING 5
053	JM27100052	FLAT WASHER 8
054	JM27100053	LOCKNUT M8
055	JM27100018	FLAT WASHER 6
056	JM27100077	KNOB LOW COVER
057	JM27100108	HEX NUT M6
058	JM27100076	KNOB UP COVER
059	JM27100066	H.S.BOLT M8
060	JM27100067	CRANK
061	JM27100054	FLAT WASHER 8
062	JM27100016	LOCKNUT M6
063	JM27100068	LINK
064	JM27100069	SLEEVE 9
065	JM27100070	HEX NUT M10
066	JM27100053	LOCKNUT M8
067	JM27100071	LIFTING ADJUSTING ROD
068	JM27100109	HEX BOLT M5
069	JM27100065	SPRING WASHER 5
070	JM27100032	FLAT WASHER 5
071	JM27100109	HEX BOLT M5
072	JM27100065	SPRING WASHER 5
073	JM27100082	POINTER A
074	JM27100054	FLAT WASHER 8
075	JM27100020	HEX NUT M8
076	JM27100083	POINTER B
077	JM27100050	HEX BOLT M8
078	JM27100107	CROSS HEAD SCREW M4
079	JM27100031	CROSS HEAD SCREW M5
080	JM27100032	FLAT WASHER 5
081	JM27100063	
082	JM27110002	FRAME COMPLETE
083	JM27100062	ROD BRACKET
084	JM27100061	AJUSTABLE BRACKET
085	JM27100060	E RING 15
086	JM27100065	SPRING WASHER 5
087	JM27100109	HEX BOLT M5
088	JM27100110	HEX BOLT M4
089	JM27100074	PIN SCREW M8X20
090	JM27100075	SQUARE NECK BOLT M6
091	JM27100081	SLIDING BLOCK
092	JM27100084	ANGLE SUPPORT PLATE B
093	JM27100011	HEX BOLT M6

Nr.	Part nr.	Name
094	JM27100018	FLAT WASHER 6
095	JM27100016	LOCKNUT M6
096	JM27100018	FLAT WASHER 6
098	JM27100016	LOCKNUT M6
099	JM27100131	HEX BOLT M6
100	JM27100089	SUPPORT ROD
101	JM27100101	MITER GAUGE RAIL A
102	JM27100016	LOCKNUT M6
103	JM27100100	SCALE LABEL
104	JM27100085	MITER GAUGE RAIL B
105	JM27100131	HEX BOLT M6
106	JM27100086	CROSS HEAD SCREW M6X12
107	JM27100016	LOCKNUT M6
108	JM27110003	WORKING TABLE COMPLETE
109	JM27100087	SPECIAL BOLT M6X10
111	JM27100091	CROSS HEAD SUNK SCREW M5
112	JM27100131	HEX BOLT M6
113	JM27100016	LOCKNUT M6
114	JM27100092	SIDE WORKING TABLE
115	JM27100131	HEX BOLT M6
116	JM27100016	LOCKNUT M6
117	JM27100093	FLAT WASHER 6
118	JM27100094	PRESS PLATE
119	JM27100095	LEFT GUARD
120	JM27100096	RIGHT GUARD
121	JM27100097	CONNECTING BOLT
122	JM27100103	FLAT WASHER 8
123	JM27100099	SPRING PIN 4
124	JM27100098	LOCK LEVER
125	JM27100105	SELF TAPPING SCREW ST3.5
126	JM27110004	GUARD ASSEMBLY
127	JM27100009	E RING 10
128	JM27100131	HEX BOLT M6
129	JM27100010	WHEEL BRACKET B
130	JM27100012	WHEEL
131	JM27100102	E RING 12
132	JM27100013	WHEEL SHAFT
133	JM27100014	WHEEL BRACKET A
134	JM27100022	CROSS HEAD SUNK SCREW M8
135	JM27100021	SHOCK PAD
136	JM27100020	HEX NUT M8
137	JM27100016	LOCKNUT M6
138	JM27100018	FLAT WASHER 6
139	JM27100016	LOCKNUT M6
140	JM27100131	HEX BOLT M6
141	JM27100016	LOCKNUT M6

Nr.	Part nr.	Name
142	JM27100015	LEG B
143	JM27100019	BEAM A
144	JM27100016	LOCKNUT M6
145	JM27100131	HEX BOLT M6
147	JM27100024	LEG A
148	JM27100023	SELF TAPPING SCREW ST4
149	JM27100017	BEAM B
150	JM27100029	HEX BOLT M8
151	JM27100054	FLAT WASHER 8
152	JM27100131	HEX BOLT M6
153	JM27100028	HANDLE BRACKET I
154	JM27100053	LOCKNUT M8
155	JM27100027	HANDLE
156	JM27100026	HANDLE BRACKET II
157	JM27100016	LOCKNUT M6
158	JM27100018	FLAT WASHER 6
159	JM27100108	HEX NUT M6
160	JM27100030	HOOK
161	JM27100133	SWITCH COVER
162	JM27100134	TAPPING SCREW ST3X12
163	JM27100135	WATERPROOF COVER
164	JM27100136	LOW COVER
165	JM27100138	SWITCH HV
166	JM27100140	TERMINAL POLE PA8
167	JM27100141	UP COVER
168	JM27100143	TAPPING SCREW ST4.2X18
169	JM27100112	SWITCH HV (SEPARATE CORD)ASS'Y
170	JM27100003	POWER SUPPLY CORD
097-2	JM27100157	MOTOR ASSY HV
110-1	JM27100148	TABLE INSERT

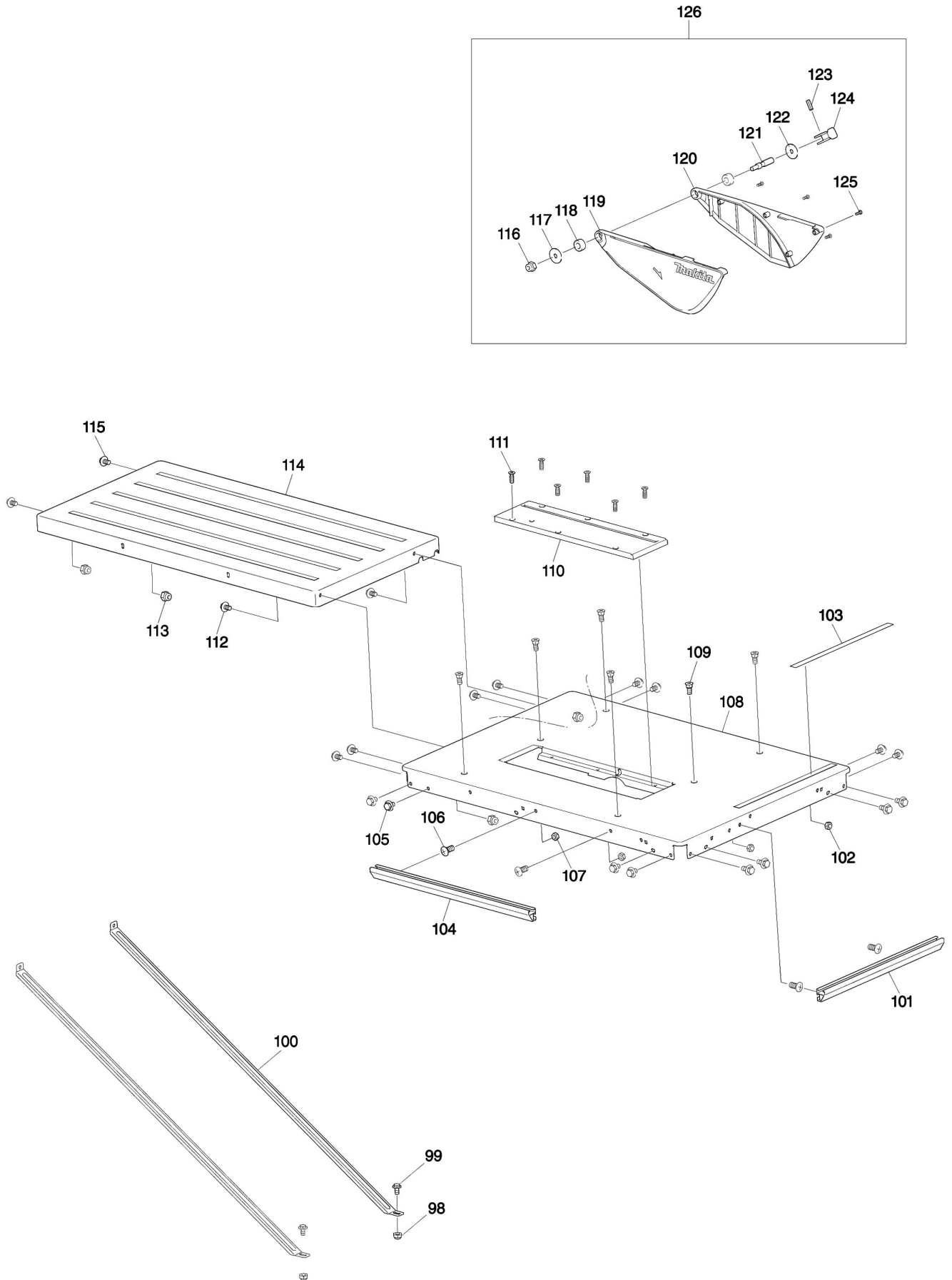


Nr.	Part nr.	Name
001	JM27100031	CROSS HEAD SCREW M5
002	JM27100032	FLAT WASHER 5
003	JM27100033	HINGE
004	JM27110001	COVER A COMPLETE
005	JM27100111	LOCKNUT M5
006	JM27100035	COVER B
007	JM27100018	FLAT WASHER 6
008	JM27100016	LOCKNUT M6
009	JM27100036	SPRING
010	JM27100104	HEX BOLT M6
011	JM27100037	LOCKNUT M12
012	JM27100038	RIVING KNIFE PRESS PLATE
013	JM27100039	RIVING KNIFE
014	JM27100040	FIX BRACKET
015	JM27100041	HEX BOLT M10
016	JM27100042	FLANGE WASHER 10
017	JM27100043	OUTER FLANGE
019	JM27100044	INNER FLANGE
020	JM27100047	CROSS HEAD SCREW M4
021	JM27100046	FLAT WASHER 4
022	JM27100048	COVER
023	JM27100049	SIDE PROTECTION
024	JM27100045	LOCKNUT M4
025	JM27100046	FLAT WASHER 4
026	JM27100046	FLAT WASHER 4
027	JM27100045	LOCKNUT M4
028	JM27100050	HEX BOLT M8
029	JM27100051	SPRING WASHER 8
030	JM27100052	FLAT WASHER 8
031	JM27100053	LOCKNUT M8
032	JM27100054	FLAT WASHER 8
033	JM27100055	ADJUSTING PIN
034	JM27100106	FLAT WASHER 8
035	JM27100057	ADJUSTING PLATE
036	JM27100056	SPLITPIN 2
037	JM27100025	E RING 10
038	JM27100053	LOCKNUT M8
039	JM27100052	FLAT WASHER 8
040	JM27100058	DOUBLE THREAD BOLT
041	JM27100072	LIFTING FRAME
042	JM27100073	SQUARE NECK BOLT M12
043	JM27100059	THREAD SLEEVE 4
044	JM27100011	HEX BOLT M6
045	JM27100018	FLAT WASHER 6
046	JM27100018	FLAT WASHER 6
047	JM27100016	LOCKNUT M6

Nr.	Part nr.	Name
048	JM27100080	ANGLE SUPPORT PLATE A
049	JM27100078	CORD CLAMP
050	JM27100032	FLAT WASHER 5
051	JM27100031	CROSS HEAD SCREW M5
052	JM27100079	E RING 5
053	JM27100052	FLAT WASHER 8
054	JM27100053	LOCKNUT M8
055	JM27100018	FLAT WASHER 6
056	JM27100077	KNOB LOW COVER
057	JM27100108	HEX NUT M6
058	JM27100076	KNOB UP COVER
059	JM27100066	H.S.BOLT M8
060	JM27100067	CRANK
061	JM27100054	FLAT WASHER 8
062	JM27100016	LOCKNUT M6
063	JM27100068	LINK
064	JM27100069	SLEEVE 9
065	JM27100070	HEX NUT M10
066	JM27100053	LOCKNUT M8
067	JM27100071	LIFTING ADJUSTING ROD
068	JM27100109	HEX BOLT M5
069	JM27100065	SPRING WASHER 5
070	JM27100032	FLAT WASHER 5
071	JM27100109	HEX BOLT M5
072	JM27100065	SPRING WASHER 5
073	JM27100082	POINTER A
074	JM27100054	FLAT WASHER 8
075	JM27100020	HEX NUT M8
076	JM27100083	POINTER B
077	JM27100050	HEX BOLT M8
078	JM27100107	CROSS HEAD SCREW M4
079	JM27100031	CROSS HEAD SCREW M5
080	JM27100032	FLAT WASHER 5
081	JM27100063	
082	JM27110002	FRAME COMPLETE
083	JM27100062	ROD BRACKET
084	JM27100061	AJUSTABLE BRACKET
085	JM27100060	E RING 15
086	JM27100065	SPRING WASHER 5
087	JM27100109	HEX BOLT M5
088	JM27100110	HEX BOLT M4
089	JM27100074	PIN SCREW M8X20
090	JM27100075	SQUARE NECK BOLT M6
091	JM27100081	SLIDING BLOCK
092	JM27100084	ANGLE SUPPORT PLATE B
093	JM27100011	HEX BOLT M6

Nr.	Part nr.	Name
094	JM27100018	FLAT WASHER 6
095	JM27100016	LOCKNUT M6
096	JM27100018	FLAT WASHER 6
098	JM27100016	LOCKNUT M6
099	JM27100131	HEX BOLT M6
100	JM27100089	SUPPORT ROD
101	JM27100101	MITER GAUGE RAIL A
102	JM27100016	LOCKNUT M6
103	JM27100100	SCALE LABEL
104	JM27100085	MITER GAUGE RAIL B
105	JM27100131	HEX BOLT M6
106	JM27100086	CROSS HEAD SCREW M6X12
107	JM27100016	LOCKNUT M6
108	JM27110003	WORKING TABLE COMPLETE
109	JM27100087	SPECIAL BOLT M6X10
111	JM27100091	CROSS HEAD SUNK SCREW M5
112	JM27100131	HEX BOLT M6
113	JM27100016	LOCKNUT M6
114	JM27100092	SIDE WORKING TABLE
115	JM27100131	HEX BOLT M6
116	JM27100016	LOCKNUT M6
117	JM27100093	FLAT WASHER 6
118	JM27100094	PRESS PLATE
119	JM27100095	LEFT GUARD
120	JM27100096	RIGHT GUARD
121	JM27100097	CONNECTING BOLT
122	JM27100103	FLAT WASHER 8
123	JM27100099	SPRING PIN 4
124	JM27100098	LOCK LEVER
125	JM27100105	SELF TAPPING SCREW ST3.5
126	JM27110004	GUARD ASSEMBLY
127	JM27100009	E RING 10
128	JM27100131	HEX BOLT M6
129	JM27100010	WHEEL BRACKET B
130	JM27100012	WHEEL
131	JM27100102	E RING 12
132	JM27100013	WHEEL SHAFT
133	JM27100014	WHEEL BRACKET A
134	JM27100022	CROSS HEAD SUNK SCREW M8
135	JM27100021	SHOCK PAD
136	JM27100020	HEX NUT M8
137	JM27100016	LOCKNUT M6
138	JM27100018	FLAT WASHER 6
139	JM27100016	LOCKNUT M6
140	JM27100131	HEX BOLT M6
141	JM27100016	LOCKNUT M6

Nr.	Part nr.	Name
142	JM27100015	LEG B
143	JM27100019	BEAM A
144	JM27100016	LOCKNUT M6
145	JM27100131	HEX BOLT M6
147	JM27100024	LEG A
148	JM27100023	SELF TAPPING SCREW ST4
149	JM27100017	BEAM B
150	JM27100029	HEX BOLT M8
151	JM27100054	FLAT WASHER 8
152	JM27100131	HEX BOLT M6
153	JM27100028	HANDLE BRACKET I
154	JM27100053	LOCKNUT M8
155	JM27100027	HANDLE
156	JM27100026	HANDLE BRACKET II
157	JM27100016	LOCKNUT M6
158	JM27100018	FLAT WASHER 6
159	JM27100108	HEX NUT M6
160	JM27100030	HOOK
161	JM27100133	SWITCH COVER
162	JM27100134	TAPPING SCREW ST3X12
163	JM27100135	WATERPROOF COVER
164	JM27100136	LOW COVER
165	JM27100138	SWITCH HV
166	JM27100140	TERMINAL POLE PA8
167	JM27100141	UP COVER
168	JM27100143	TAPPING SCREW ST4.2X18
169	JM27100112	SWITCH HV (SEPARATE CORD)ASS'Y
170	JM27100003	POWER SUPPLY CORD
097-2	JM27100157	MOTOR ASSY HV
110-1	JM27100148	TABLE INSERT

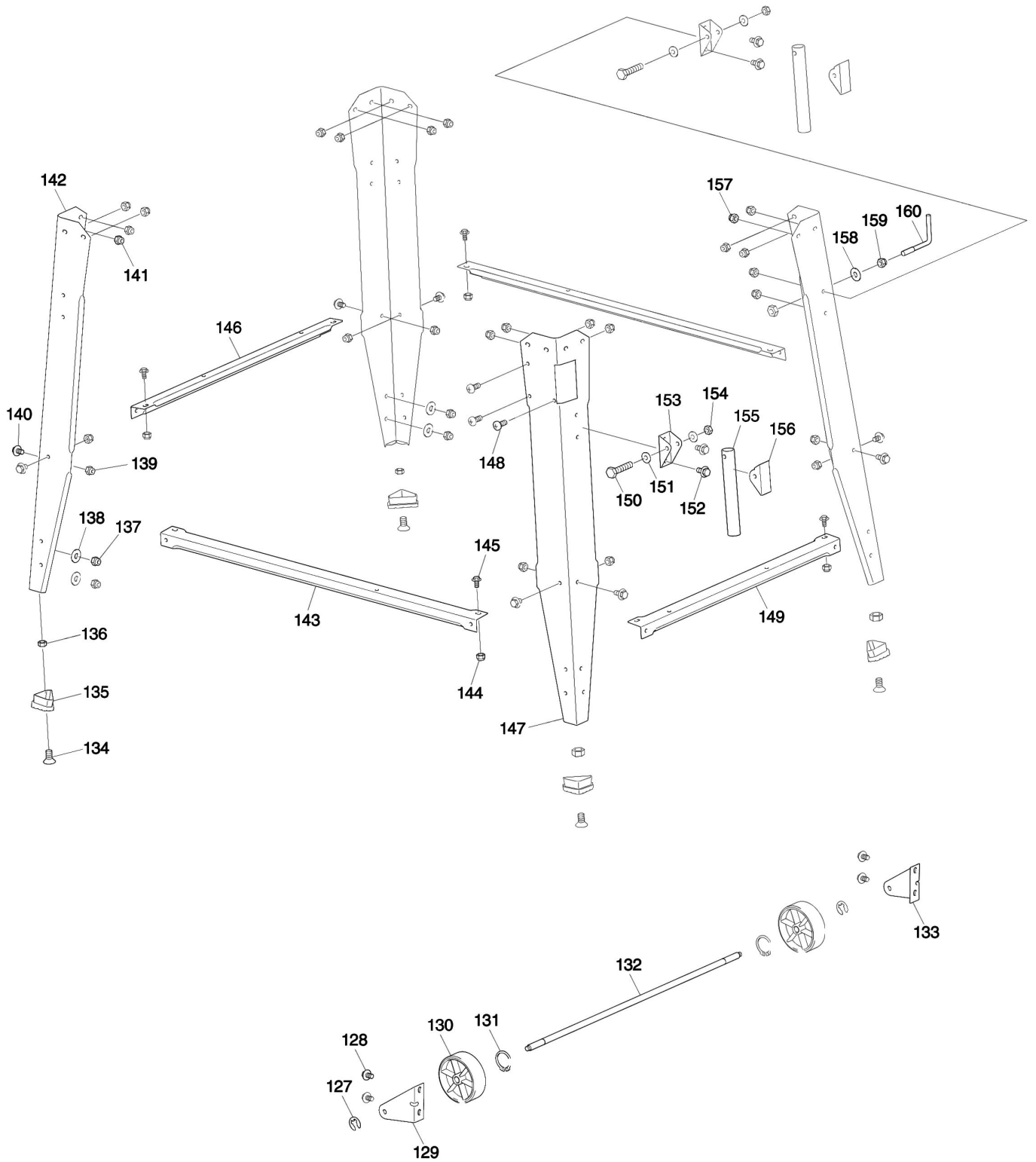


Nr.	Part nr.	Name
001	JM27100031	CROSS HEAD SCREW M5
002	JM27100032	FLAT WASHER 5
003	JM27100033	HINGE
004	JM27110001	COVER A COMPLETE
005	JM27100111	LOCKNUT M5
006	JM27100035	COVER B
007	JM27100018	FLAT WASHER 6
008	JM27100016	LOCKNUT M6
009	JM27100036	SPRING
010	JM27100104	HEX BOLT M6
011	JM27100037	LOCKNUT M12
012	JM27100038	RIVING KNIFE PRESS PLATE
013	JM27100039	RIVING KNIFE
014	JM27100040	FIX BRACKET
015	JM27100041	HEX BOLT M10
016	JM27100042	FLANGE WASHER 10
017	JM27100043	OUTER FLANGE
019	JM27100044	INNER FLANGE
020	JM27100047	CROSS HEAD SCREW M4
021	JM27100046	FLAT WASHER 4
022	JM27100048	COVER
023	JM27100049	SIDE PROTECTION
024	JM27100045	LOCKNUT M4
025	JM27100046	FLAT WASHER 4
026	JM27100046	FLAT WASHER 4
027	JM27100045	LOCKNUT M4
028	JM27100050	HEX BOLT M8
029	JM27100051	SPRING WASHER 8
030	JM27100052	FLAT WASHER 8
031	JM27100053	LOCKNUT M8
032	JM27100054	FLAT WASHER 8
033	JM27100055	ADJUSTING PIN
034	JM27100106	FLAT WASHER 8
035	JM27100057	ADJUSTING PLATE
036	JM27100056	SPLITPIN 2
037	JM27100025	E RING 10
038	JM27100053	LOCKNUT M8
039	JM27100052	FLAT WASHER 8
040	JM27100058	DOUBLE THREAD BOLT
041	JM27100072	LIFTING FRAME
042	JM27100073	SQUARE NECK BOLT M12
043	JM27100059	THREAD SLEEVE 4
044	JM27100011	HEX BOLT M6
045	JM27100018	FLAT WASHER 6
046	JM27100018	FLAT WASHER 6
047	JM27100016	LOCKNUT M6

Nr.	Part nr.	Name
048	JM27100080	ANGLE SUPPORT PLATE A
049	JM27100078	CORD CLAMP
050	JM27100032	FLAT WASHER 5
051	JM27100031	CROSS HEAD SCREW M5
052	JM27100079	E RING 5
053	JM27100052	FLAT WASHER 8
054	JM27100053	LOCKNUT M8
055	JM27100018	FLAT WASHER 6
056	JM27100077	KNOB LOW COVER
057	JM27100108	HEX NUT M6
058	JM27100076	KNOB UP COVER
059	JM27100066	H.S.BOLT M8
060	JM27100067	CRANK
061	JM27100054	FLAT WASHER 8
062	JM27100016	LOCKNUT M6
063	JM27100068	LINK
064	JM27100069	SLEEVE 9
065	JM27100070	HEX NUT M10
066	JM27100053	LOCKNUT M8
067	JM27100071	LIFTING ADJUSTING ROD
068	JM27100109	HEX BOLT M5
069	JM27100065	SPRING WASHER 5
070	JM27100032	FLAT WASHER 5
071	JM27100109	HEX BOLT M5
072	JM27100065	SPRING WASHER 5
073	JM27100082	POINTER A
074	JM27100054	FLAT WASHER 8
075	JM27100020	HEX NUT M8
076	JM27100083	POINTER B
077	JM27100050	HEX BOLT M8
078	JM27100107	CROSS HEAD SCREW M4
079	JM27100031	CROSS HEAD SCREW M5
080	JM27100032	FLAT WASHER 5
081	JM27100063	
082	JM27110002	FRAME COMPLETE
083	JM27100062	ROD BRACKET
084	JM27100061	AJUSTABLE BRACKET
085	JM27100060	E RING 15
086	JM27100065	SPRING WASHER 5
087	JM27100109	HEX BOLT M5
088	JM27100110	HEX BOLT M4
089	JM27100074	PIN SCREW M8X20
090	JM27100075	SQUARE NECK BOLT M6
091	JM27100081	SLIDING BLOCK
092	JM27100084	ANGLE SUPPORT PLATE B
093	JM27100011	HEX BOLT M6

Nr.	Part nr.	Name
094	JM27100018	FLAT WASHER 6
095	JM27100016	LOCKNUT M6
096	JM27100018	FLAT WASHER 6
098	JM27100016	LOCKNUT M6
099	JM27100131	HEX BOLT M6
100	JM27100089	SUPPORT ROD
101	JM27100101	MITER GAUGE RAIL A
102	JM27100016	LOCKNUT M6
103	JM27100100	SCALE LABEL
104	JM27100085	MITER GAUGE RAIL B
105	JM27100131	HEX BOLT M6
106	JM27100086	CROSS HEAD SCREW M6X12
107	JM27100016	LOCKNUT M6
108	JM27110003	WORKING TABLE COMPLETE
109	JM27100087	SPECIAL BOLT M6X10
111	JM27100091	CROSS HEAD SUNK SCREW M5
112	JM27100131	HEX BOLT M6
113	JM27100016	LOCKNUT M6
114	JM27100092	SIDE WORKING TABLE
115	JM27100131	HEX BOLT M6
116	JM27100016	LOCKNUT M6
117	JM27100093	FLAT WASHER 6
118	JM27100094	PRESS PLATE
119	JM27100095	LEFT GUARD
120	JM27100096	RIGHT GUARD
121	JM27100097	CONNECTING BOLT
122	JM27100103	FLAT WASHER 8
123	JM27100099	SPRING PIN 4
124	JM27100098	LOCK LEVER
125	JM27100105	SELF TAPPING SCREW ST3.5
126	JM27110004	GUARD ASSEMBLY
127	JM27100009	E RING 10
128	JM27100131	HEX BOLT M6
129	JM27100010	WHEEL BRACKET B
130	JM27100012	WHEEL
131	JM27100102	E RING 12
132	JM27100013	WHEEL SHAFT
133	JM27100014	WHEEL BRACKET A
134	JM27100022	CROSS HEAD SUNK SCREW M8
135	JM27100021	SHOCK PAD
136	JM27100020	HEX NUT M8
137	JM27100016	LOCKNUT M6
138	JM27100018	FLAT WASHER 6
139	JM27100016	LOCKNUT M6
140	JM27100131	HEX BOLT M6
141	JM27100016	LOCKNUT M6

Nr.	Part nr.	Name
142	JM27100015	LEG B
143	JM27100019	BEAM A
144	JM27100016	LOCKNUT M6
145	JM27100131	HEX BOLT M6
147	JM27100024	LEG A
148	JM27100023	SELF TAPPING SCREW ST4
149	JM27100017	BEAM B
150	JM27100029	HEX BOLT M8
151	JM27100054	FLAT WASHER 8
152	JM27100131	HEX BOLT M6
153	JM27100028	HANDLE BRACKET I
154	JM27100053	LOCKNUT M8
155	JM27100027	HANDLE
156	JM27100026	HANDLE BRACKET II
157	JM27100016	LOCKNUT M6
158	JM27100018	FLAT WASHER 6
159	JM27100108	HEX NUT M6
160	JM27100030	HOOK
161	JM27100133	SWITCH COVER
162	JM27100134	TAPPING SCREW ST3X12
163	JM27100135	WATERPROOF COVER
164	JM27100136	LOW COVER
165	JM27100138	SWITCH HV
166	JM27100140	TERMINAL POLE PA8
167	JM27100141	UP COVER
168	JM27100143	TAPPING SCREW ST4.2X18
169	JM27100112	SWITCH HV (SEPARATE CORD)ASS'Y
170	JM27100003	POWER SUPPLY CORD
097-2	JM27100157	MOTOR ASSY HV
110-1	JM27100148	TABLE INSERT



Nr.	Part nr.	Name
001	JM27100031	CROSS HEAD SCREW M5
002	JM27100032	FLAT WASHER 5
003	JM27100033	HINGE
004	JM27110001	COVER A COMPLETE
005	JM27100111	LOCKNUT M5
006	JM27100035	COVER B
007	JM27100018	FLAT WASHER 6
008	JM27100016	LOCKNUT M6
009	JM27100036	SPRING
010	JM27100104	HEX BOLT M6
011	JM27100037	LOCKNUT M12
012	JM27100038	RIVING KNIFE PRESS PLATE
013	JM27100039	RIVING KNIFE
014	JM27100040	FIX BRACKET
015	JM27100041	HEX BOLT M10
016	JM27100042	FLANGE WASHER 10
017	JM27100043	OUTER FLANGE
019	JM27100044	INNER FLANGE
020	JM27100047	CROSS HEAD SCREW M4
021	JM27100046	FLAT WASHER 4
022	JM27100048	COVER
023	JM27100049	SIDE PROTECTION
024	JM27100045	LOCKNUT M4
025	JM27100046	FLAT WASHER 4
026	JM27100046	FLAT WASHER 4
027	JM27100045	LOCKNUT M4
028	JM27100050	HEX BOLT M8
029	JM27100051	SPRING WASHER 8
030	JM27100052	FLAT WASHER 8
031	JM27100053	LOCKNUT M8
032	JM27100054	FLAT WASHER 8
033	JM27100055	ADJUSTING PIN
034	JM27100106	FLAT WASHER 8
035	JM27100057	ADJUSTING PLATE
036	JM27100056	SPLITPIN 2
037	JM27100025	E RING 10
038	JM27100053	LOCKNUT M8
039	JM27100052	FLAT WASHER 8
040	JM27100058	DOUBLE THREAD BOLT
041	JM27100072	LIFTING FRAME
042	JM27100073	SQUARE NECK BOLT M12
043	JM27100059	THREAD SLEEVE 4
044	JM27100011	HEX BOLT M6
045	JM27100018	FLAT WASHER 6
046	JM27100018	FLAT WASHER 6
047	JM27100016	LOCKNUT M6

Nr.	Part nr.	Name
048	JM27100080	ANGLE SUPPORT PLATE A
049	JM27100078	CORD CLAMP
050	JM27100032	FLAT WASHER 5
051	JM27100031	CROSS HEAD SCREW M5
052	JM27100079	E RING 5
053	JM27100052	FLAT WASHER 8
054	JM27100053	LOCKNUT M8
055	JM27100018	FLAT WASHER 6
056	JM27100077	KNOB LOW COVER
057	JM27100108	HEX NUT M6
058	JM27100076	KNOB UP COVER
059	JM27100066	H.S.BOLT M8
060	JM27100067	CRANK
061	JM27100054	FLAT WASHER 8
062	JM27100016	LOCKNUT M6
063	JM27100068	LINK
064	JM27100069	SLEEVE 9
065	JM27100070	HEX NUT M10
066	JM27100053	LOCKNUT M8
067	JM27100071	LIFTING ADJUSTING ROD
068	JM27100109	HEX BOLT M5
069	JM27100065	SPRING WASHER 5
070	JM27100032	FLAT WASHER 5
071	JM27100109	HEX BOLT M5
072	JM27100065	SPRING WASHER 5
073	JM27100082	POINTER A
074	JM27100054	FLAT WASHER 8
075	JM27100020	HEX NUT M8
076	JM27100083	POINTER B
077	JM27100050	HEX BOLT M8
078	JM27100107	CROSS HEAD SCREW M4
079	JM27100031	CROSS HEAD SCREW M5
080	JM27100032	FLAT WASHER 5
081	JM27100063	
082	JM27110002	FRAME COMPLETE
083	JM27100062	ROD BRACKET
084	JM27100061	AJUSTABLE BRACKET
085	JM27100060	E RING 15
086	JM27100065	SPRING WASHER 5
087	JM27100109	HEX BOLT M5
088	JM27100110	HEX BOLT M4
089	JM27100074	PIN SCREW M8X20
090	JM27100075	SQUARE NECK BOLT M6
091	JM27100081	SLIDING BLOCK
092	JM27100084	ANGLE SUPPORT PLATE B
093	JM27100011	HEX BOLT M6

Nr.	Part nr.	Name
094	JM27100018	FLAT WASHER 6
095	JM27100016	LOCKNUT M6
096	JM27100018	FLAT WASHER 6
098	JM27100016	LOCKNUT M6
099	JM27100131	HEX BOLT M6
100	JM27100089	SUPPORT ROD
101	JM27100101	MITER GAUGE RAIL A
102	JM27100016	LOCKNUT M6
103	JM27100100	SCALE LABEL
104	JM27100085	MITER GAUGE RAIL B
105	JM27100131	HEX BOLT M6
106	JM27100086	CROSS HEAD SCREW M6X12
107	JM27100016	LOCKNUT M6
108	JM27110003	WORKING TABLE COMPLETE
109	JM27100087	SPECIAL BOLT M6X10
111	JM27100091	CROSS HEAD SUNK SCREW M5
112	JM27100131	HEX BOLT M6
113	JM27100016	LOCKNUT M6
114	JM27100092	SIDE WORKING TABLE
115	JM27100131	HEX BOLT M6
116	JM27100016	LOCKNUT M6
117	JM27100093	FLAT WASHER 6
118	JM27100094	PRESS PLATE
119	JM27100095	LEFT GUARD
120	JM27100096	RIGHT GUARD
121	JM27100097	CONNECTING BOLT
122	JM27100103	FLAT WASHER 8
123	JM27100099	SPRING PIN 4
124	JM27100098	LOCK LEVER
125	JM27100105	SELF TAPPING SCREW ST3.5
126	JM27110004	GUARD ASSEMBLY
127	JM27100009	E RING 10
128	JM27100131	HEX BOLT M6
129	JM27100010	WHEEL BRACKET B
130	JM27100012	WHEEL
131	JM27100102	E RING 12
132	JM27100013	WHEEL SHAFT
133	JM27100014	WHEEL BRACKET A
134	JM27100022	CROSS HEAD SUNK SCREW M8
135	JM27100021	SHOCK PAD
136	JM27100020	HEX NUT M8
137	JM27100016	LOCKNUT M6
138	JM27100018	FLAT WASHER 6
139	JM27100016	LOCKNUT M6
140	JM27100131	HEX BOLT M6
141	JM27100016	LOCKNUT M6

Nr.	Part nr.	Name
142	JM27100015	LEG B
143	JM27100019	BEAM A
144	JM27100016	LOCKNUT M6
145	JM27100131	HEX BOLT M6
147	JM27100024	LEG A
148	JM27100023	SELF TAPPING SCREW ST4
149	JM27100017	BEAM B
150	JM27100029	HEX BOLT M8
151	JM27100054	FLAT WASHER 8
152	JM27100131	HEX BOLT M6
153	JM27100028	HANDLE BRACKET I
154	JM27100053	LOCKNUT M8
155	JM27100027	HANDLE
156	JM27100026	HANDLE BRACKET II
157	JM27100016	LOCKNUT M6
158	JM27100018	FLAT WASHER 6
159	JM27100108	HEX NUT M6
160	JM27100030	HOOK
161	JM27100133	SWITCH COVER
162	JM27100134	TAPPING SCREW ST3X12
163	JM27100135	WATERPROOF COVER
164	JM27100136	LOW COVER
165	JM27100138	SWITCH HV
166	JM27100140	TERMINAL POLE PA8
167	JM27100141	UP COVER
168	JM27100143	TAPPING SCREW ST4.2X18
169	JM27100112	SWITCH HV (SEPARATE CORD)ASS'Y
170	JM27100003	POWER SUPPLY CORD
097-2	JM27100157	MOTOR ASSY HV
110-1	JM27100148	TABLE INSERT