



EH5000W/EH6000W/EH7500W

GB PETROL HEDGE TRIMMER

F TAILLE-HAIE THERMIQUE

D BENZIN-HECKENSCHERE

I TAGLIASIEPI A BENZINA

NL BENZINEHEGGENSCHAAR

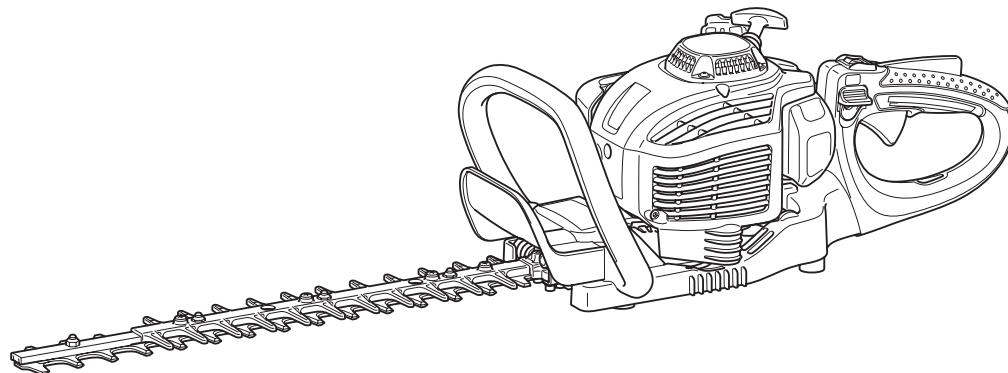
E CORTA SETOS A GASOLINA

P APARADOR DE CERCA-VIVA A GASOLINA

DK BENZINDREVET HÆKKEKLIPPER

GR BENZINOKINHTO ΨΑΛΙΔΙ ΜΠΟΡΝΤΟΥΡΑΣ

**INSTRUCTION MANUAL
MANUEL D'INSTRUCTIONS
BETRIEBSANLEITUNG
ISTRUZIONI PER L'USO
GEBRUIKSAANWIJZING
MANUAL DE INSTRUCCIONES
MANUAL DE INSTRUÇÕES
BRUGSANVISNING
ΟΔΗΓΙΕΣ ΧΡΗΣΗΣ**



WARNING:

To reduce the RISK of injury, user must read and understand the instruction manual before using the hedge trimmer. Manufacturer reserves the right to change specifications without notice. Specifications may differ from country to country. Do only hand over the hedge trimmer together with this manual.

AVERTISSEMENT :

Pour réduire les RISQUES de blessure, l'utilisateur est tenu de lire et comprendre le manuel d'instruction avant d'utiliser le taille-haie. Le fabricant se réserve le droit de modifier les spécifications sans préavis. Les spécifications peuvent varier d'un pays à l'autre. Si vous prêtez le taille-haie, veillez à l'accompagner de ce manuel.

WARNUNG:

Um die GEFÄHR von Verletzungen zu vermeiden, muss der Benutzer vor der Benutzung der Heckenschere diese Bedienungsanleitung sorgfältig lesen. Der Hersteller behält sich das Recht vor, ohne Vorankündigung Änderungen an den Technischen Daten vorzunehmen. Die Technischen Daten können in den einzelnen Ländern voneinander abweichen. Händigen Sie mit der Übergabe der Heckenschere an andere Personen unbedingt auch diese Bedienungsanleitung aus.

AVVERTENZA:

Per ridurre il RISCHIO di incidenti, è necessario aver letto e compreso il manuale di istruzioni prima di iniziare a utilizzare il tagliasepi. Il produttore si riserva il diritto di apportare modifiche alle caratteristiche tecniche senza preavviso. Le caratteristiche tecniche variano a seconda del Paese. Quando si dà in prestito il tagliasepi, consegnare sempre anche il presente manuale.

WAARSCHUWING:

Om het RISICO van letsel te verkleinen, moet de gebruiker de gebruiksaanwijzing lezen en begrijpen voordat hij/zij de heggenschaar gebruikt. De fabrikant behoudt zich het recht voor zonder kennisgeving de technische gegevens te veranderen. De technische gegevens kunnen van land tot land verschillen. Geef de heggenschaar alleen aan een ander tezamen met deze gebruiksaanwijzing.

ADVERTENCIA:

Para reducir el RIESGO de lesiones, el usuario debe leer y comprender el manual de instrucciones antes de utilizar el corta setos. El fabricante se reserva el derecho de cambiar las especificaciones sin previo aviso. Las especificaciones pueden diferir de un país a otro. El corta setos sólo se debe entregar a otra persona con este manual.

AVISO:

Para reduzir o RISCO de ferimentos, o utilizador tem de ler e compreender o manual de instruções antes de utilizar o aparador de sebes. O fabricante reserva-se o direito de alterar as especificações sem aviso prévio. As especificações podem variar de país para país. Entregue sempre o aparador de sebes juntamente com este manual.

ADVÆRSEL:

For at reducere RISIKOEN for tilskadekomst skal brugeren læse og forstå brugsanvisningen inden brug af hækkeklipperen. Producenten forbeholder sig ret til at ændre specifikationer uden varsel. Specifikationerne kan variere fra land til land. Overdrag kun hækkeklipperen sammen med denne brugsanvisning.

ΠΡΟΕΙΔΟΠΟΙΗΣΗ:

Για την ελάττωση του ΚΙΝΔΥΝΟΥ του τραυματισμού, ο χρήστης πρέπει να διαβάσει και να κατανοήσει το εγχειρίδιο οδηγιών πριν προβεί στη χρήση του ψαλιδιού μπορντούρας. Ο κατασκευαστής διατηρεί το δικαίωμα να αλλάξει τα τεχνικά χαρακτηριστικά χωρίς προειδοποίηση. Τα τεχνικά χαρακτηριστικά ενδέχεται να διαφέρουν ανάλογα με τη χώρα. Να παραδίδετε πάντοτε το ψαλίδι μπορντούρας μαζί με αυτό το εγχειρίδιο.

Thank you very much for selecting the MAKITA hedge trimmer. We are pleased to be able to offer you the MAKITA hedge trimmer which is the result of a long development program and many years of knowledge and experience.

The hedge trimmer models EH5000W, EH6000W and EH7500W combine the advantages of state-of-the-art technology with ergonomic design, light weight, handy, compact and represent professional equipment for a great variety of applications.

Please read, understand and follow this booklet which refers in detail to the various points that will demonstrate its outstanding performance. This will assist you to safely obtain the best possible results from your MAKITA hedge trimmer.



Table of Contents	Page
Symbols.....	3
Safety instructions.....	4
Technical data.....	7
Designation of parts.....	8
Fuels/refueling.....	9
Precautions before starting.....	10
Starting the machine.....	11
Stopping the machine.....	11
Operation of the machine.....	12
Adjusting rear handle angle.....	12
Maintenance instructions.....	13
Storage.....	16
Maintenance schedule.....	16
Fault location.....	16

SYMBOLS

It is very important to understand the following symbols when reading this instructions manual.

	WARNING/DANGER		Fuel and oil mixture
	Read, Understand and Follow Instruction Manual		Engine-Manual start
	Forbidden		Emergency stop
	No smoking		First Aid
	No open flame		Recycling
	Protective gloves must be worn		ON/START
	Keep the area of operation clear of all persons and pets		OFF/STOP
	Wear eye and ear protection		CE - mark

SAFETY INSTRUCTIONS

General Instructions

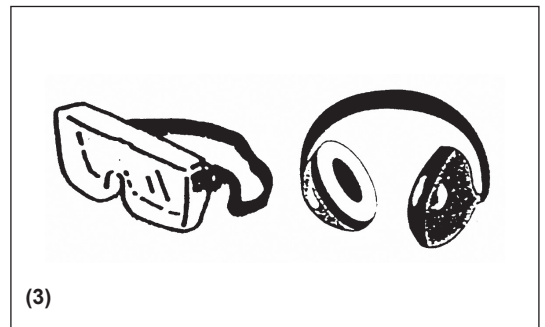
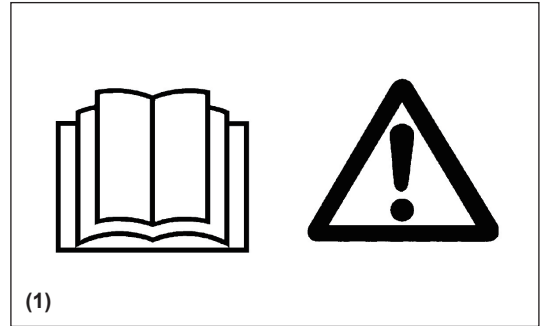
- THIS MACHINE CAN CAUSE SERIOUS INJURIES. Read the Instructions carefully for correct handling, preparation, maintenance, starting and stopping of the machine. Be familiar with all controls and the proper use of the machine. (1)
- It is recommended only to loan the hedge trimmer to people who have proven to be experienced with hedge trimmers. Always hand over the instruction manual.
- First-time users should ask the dealer for basic instructions to familiarize themselves with handling of an engine powered hedge trimmer.
- Children and young persons aged under 18 years must not be allowed to operate the hedge trimmer. Persons over the age of 16 years may however use the device for the purpose of being trained only while under the supervision of a qualified trainer.
- Use the hedge trimmer with the utmost care and attention.
- Operate the hedge trimmer only if you are in a good physical condition. Perform all work calmly and carefully. The user has to accept liability for others.
- Never use the hedge trimmer after consuming alcohol or drugs, or if feeling tired or ill. (2)

Intended use of the machine

- The hedge trimmer is designed for only the purpose of trimming bushes and hedges, and must not be used for any other purpose. Do not abuse the Trimmer.

Personal protective equipment

- The clothing worn should be functional and appropriate, i.e. it should be tight-fitting but not cause hindrance. Do not wear jewelry or loose clothing which could become entangled with bushes or shrubs, or the machine.
- In order to avoid eye, hand or foot injuries as well as to protect your hearing, the following protective equipment and protective clothing must be used during operation of the hedge trimmer.
- During operation of the hedge trimmer always wear goggles or a visor to prevent eye injuries. (3)
- Wear adequate noise protection equipment to avoid hearing impairment, ear muffs, ear plugs, etc. (3)
- We strongly recommend that the user wears work overalls. (4)
- Special gloves made of thick leather are part of the prescribed equipment and must always be worn during operation of the hedge trimmer. (4)
- When using the hedge trimmer, always wear sturdy shoes with a non-slip sole. This protects against injuries and ensures a good footing. (4)



Starting up the hedge trimmer

- Please make sure that there are no children or other people within a working range of 15 meters (5), also pay attention to any animal in the working vicinity.
- Before operating, always check the hedge trimmer is safe for operation.
- Check the security of the throttle lever. The throttle lever should be checked for the smooth and easy actions. Check for proper functioning of the throttle lever lock. Check for clean and dry handles and test the function of the I-O switch. Keep handles free of oil and fuel.

Start the hedge trimmer only in accordance with the instructions.

Do not use any other methods for starting the engine (6)!

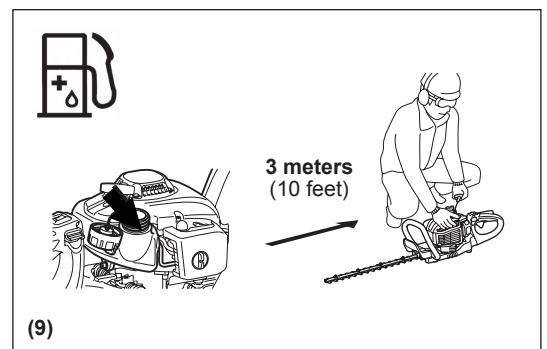
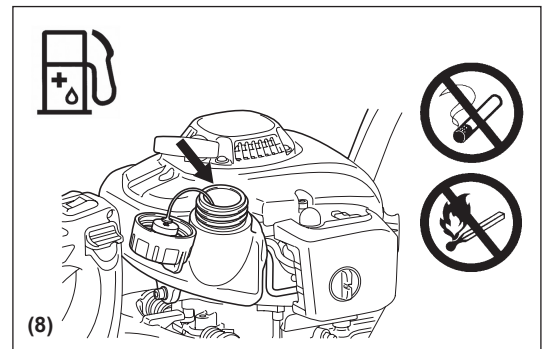
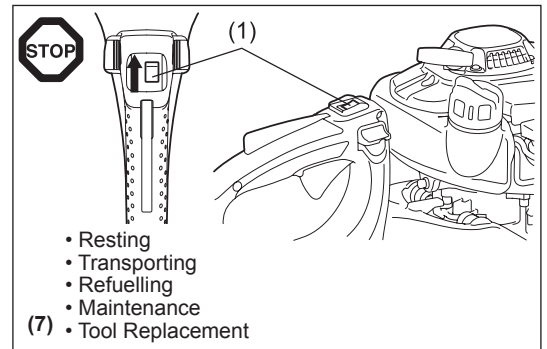
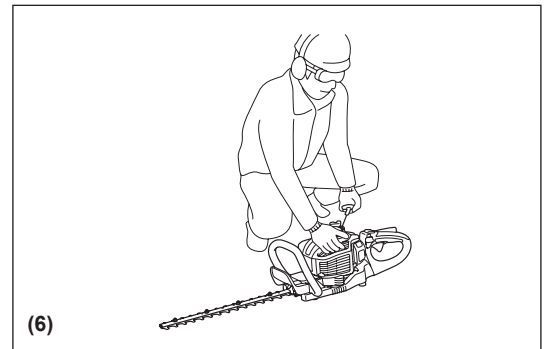
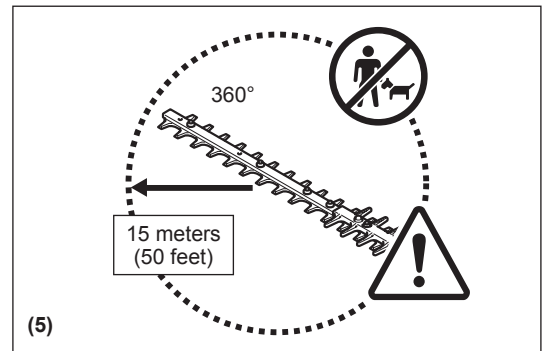
- Use the hedge trimmer only for applications specified.
- Start the hedge trimmer engine only after the entire assembly is done. Operation of the hedge trimmer is permitted only after all the appropriate accessories are attached!
- Before starting, make sure that the cutter blade will not contact any objects such as branches, stones, etc.
- Stop the engine immediately if there are any engine problems.
- During operation, hold both the front and rear handle firmly by wrapping your fingers around the handles. Keep handles clean and free of moisture, resin, oil or grease.

Always ensure a safe, well-balanced footing.

- Only use outdoors.
- Always be aware of your surroundings and stay alert for possible hazards that you may not hear due to the noise of the machine.
- Operate the hedge trimmer in such a manner as to avoid inhalation of the exhaust gases. Never run the engine in enclosed rooms (risk of suffocation and gas poisoning). Carbon monoxide is an odorless gas. Always ensure there is an adequate ventilation.
- Stop the engine when resting and when leaving the hedge trimmer unattended. Place it in a safe location to prevent danger to others or, setting fire to combustible materials or damage to the machine.
- Never put the hot hedge trimmer onto dry grass or onto any combustible materials.
- To reduce fire hazard, keep the engine and silencer free of debris, leaves, or excessive lubricant.
- Never operate the engine with a faulty exhaust muffler.
- Stop the engine during transport (7).
- Stop the engine before:
 - Cleaning a blockage;
 - Checking, maintenance or working on the machine.
- Position the hedge trimmer safely during car or truck transportation to avoid a fuel leakage.
- When transporting the hedge trimmer ensure that the fuel tank is completely empty to avoid fuel leakage.
- When transporting or storing the machine always fit the cutting device guard.

Refuelling

- Stop the engine before refuelling (7), keep well away from open flame (8) and do not smoke.
- Do not attempt to refuel a hot or a running engine.
- Avoid skin contact with petroleum products. Do not inhale fuel vapors. Always wear protective gloves during refuelling. Change and clean protective clothing at regular intervals.
- Take care not to spill either fuel or oil in order to prevent soil contamination (environmental protection). Wipe down the hedge trimmer immediately after fuel has been spilled. Dry the cloths used for wiping the fuel at a well ventilated area before disposing them. Failure to do so may cause spontaneous combustion.
- Avoid any fuel contact with your clothes. Change your clothes immediately if fuel has been spilled on it (dangerous hazard).
- Inspect the fuel cap at regular intervals making sure that it stays securely fastened.
- Carefully tighten the fuel tank cap. Change locations to start the engine (at least 3 meters away from the place of refuelling) (9).
- Never refuel in closed rooms. Fuel vapors accumulate at ground level (risk of explosions).
- Only transport and store fuels in approved containers. Make sure stored fuel is not accessible to children.
- When mixing gasoline with two-stroke engine oil, use only gasoline which contains no ethanol or methanol (types of alcohol). This will help to prevent damage to fuel lines and other engine parts.



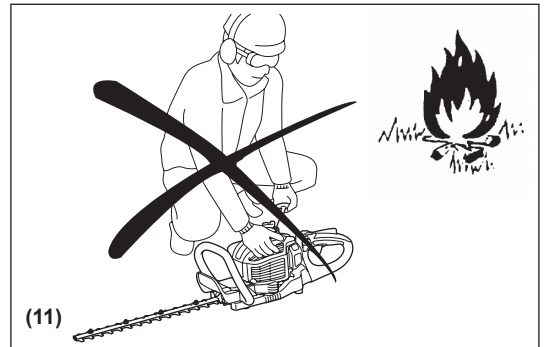
Method of operation

- Always use two hands to grip each handle during operation.
- Use the hedge trimmer only in a good light and visibility. During cold seasons beware of slippery or wet areas, ice and snow (risk of slipping). Always ensure a safe footing.
- Never work on unstable surfaces or steep terrain.
- Never stand on a ladder and run the hedge trimmer.
- Never climb up onto trees to perform cutting operation with the hedge trimmer.
- To reduce the risk of stumbling and loss of control, do not walk backward while operating the machine.
- Always stop the engine before cleaning or servicing the unit or replacing parts.
- Do not operate the machine with a damaged or excessively worn cutting device.



Maintenance instructions

- Be kind to the environment. Operate the hedge trimmer with as little noise and pollution as possible. In particular check the correct adjustment of the carburetor.
- Clean the hedge trimmer at regular intervals and check that all screws and nuts are securely tightened.
- Never service or store the hedge trimmer in the vicinity of open flames, sparks, etc. (11).
- Empty the fuel tank before storing the hedge trimmer.
- Never store the hedge trimmer in the vicinity of naked flames to avoid fires.
- Store the hedge trimmer in well ventilated and high or locked location out of reach of children.
- Do not attempt to repair the machine unless you are qualified to do so.



Observe and follow all relevant accident prevention instructions issued by the trade associations safety board and by insurance companies.

Do not perform any modifications to the hedge trimmer as this will risk your safety.

The performance of maintenance or repair work by the user is limited to those activities as described in this instruction manual. All other works are to be done by Authorized Service Agents.

Use only genuine spare parts and accessories supplied by MAKITA authorized or factory service centers.

Use of non-approved accessories and tools means increased risk of accidents and injuries. MAKITA will not accept any liability for accidents or damage caused by the use of any non-approved accessories.

First aid

In case of an accident make sure that a well-stocked first-aid kit according to DIN 13164, is available in the vicinity of the cutting operations. Immediately replace any item taken from the first aid kit.

When asking for help, please give the following information:

- Place of accident
- What happened
- Number of injured persons
- Extend of injuries
- Your name



Packaging

The MAKITA hedge trimmer is delivered in a protective cardboard box to prevent shipping damage. Cardboard is a basic raw material and is therefore consequently reusable or suitable for recycling (waste paper recycling).



EC-DECLARATION OF CONFORMITY

We Makita Corporation as the responsible manufacturer declare that the following Makita machine(s):

Designation of Machine: Petrol Hedge Trimmer
 Model No./ Type: EH5000W, EH6000W, EH7500W
 Specifications: see "TECHNICAL DATA"

are of series production and

Conforms to the following European Directive(s):

2000/14/EC, 2006/42/EC

And are manufactured in accordance with the following standard(s) or standardised document(s):

EN ISO 10517

The technical documentation is kept by our authorised representative in Europe who is:

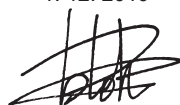
Makita International Europe Ltd.
 Michigan Drive, Tongwell, Milton Keynes, Bucks MK15 8JD, England

The conformity assessment procedure required by Directive 2000/14/EC was in Accordance with annex V.

Measured sound power level: EH5000W 104.0 dB (A), EH6000W 104.2 dB (A), EH7500W 104.8 dB (A)

Guaranteed sound power level: All models 106 dB (A)

1. 12. 2010

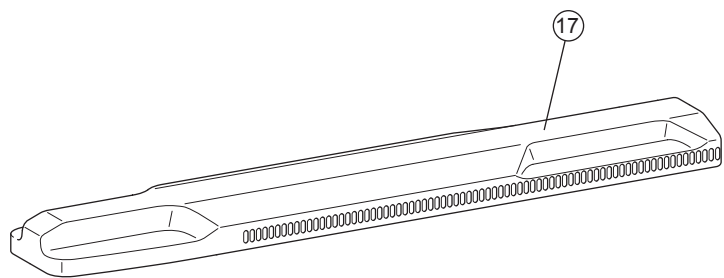
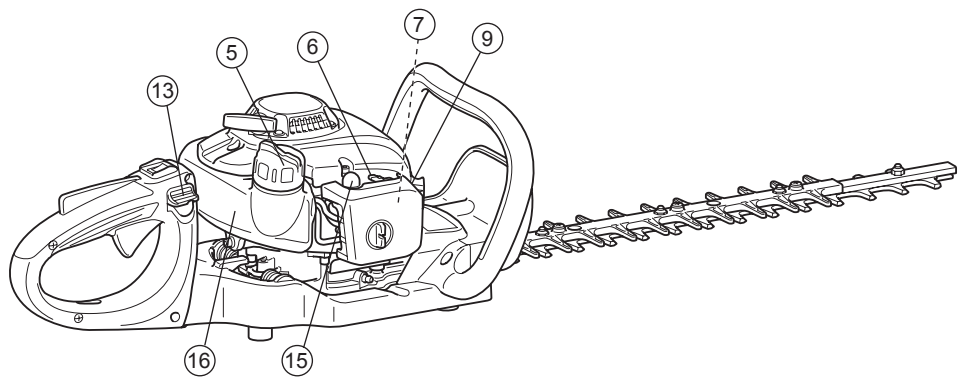
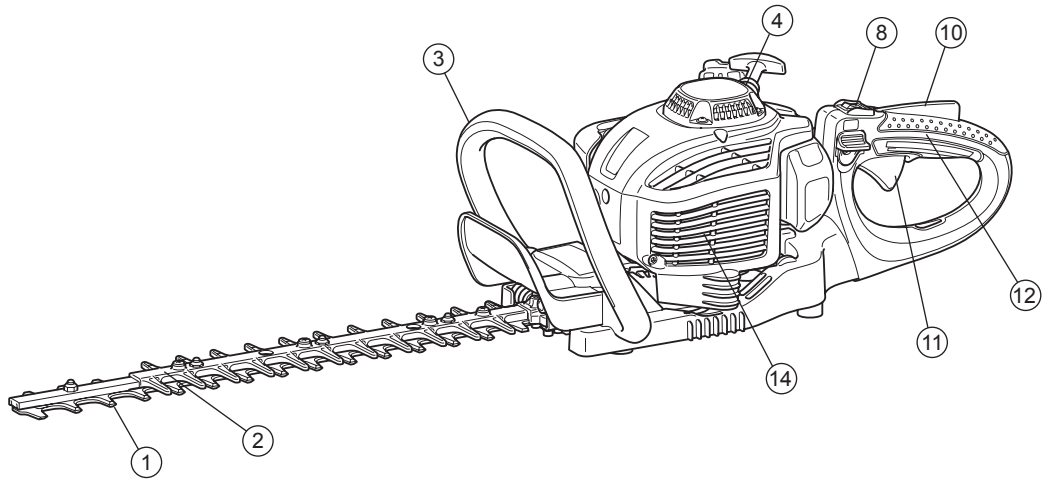


Tomoyasu Kato
 Director
 Makita Corporation
 3-11-8, Sumiyoshi-cho,
 Anjo, Aichi, 446-8502, JAPAN

TECHNICAL DATA

Model		EH5000W	EH6000W	EH7500W		
Dimension (L x W x H)		mm	1,014 x 262 x 216	1,119 x 262 x 216		
Mass (without blade cover)		kg	4.8	5.0		
Volume (fuel tank)		L	0.4			
Engine displacement		cm ³	22.2			
Cutting length		mm	483	588		
Maximum engine performance		kW	0.68			
Maximum blade speed		min ⁻¹	4,270			
Idling speed		min ⁻¹	3,000			
Clutch engagement speed		min ⁻¹	4,000			
Carburetor type		type	WALBRO WYL			
Ignition system		type	Solid state ignition			
Spark plug		type	NGK CMR6A			
Electrode gap		mm	0.7 - 0.8			
Vibration per EN ISO 10517	Right handle	$a_{hv\ eq}$	m/s ²	2.5	2.7	2.3
		Uncertainty K	m/s ²	1.3	1.1	1.6
	Left handle	$a_{hv\ eq}$	m/s ²	2.5	2.8	2.3
		Uncertainty K	m/s ²	1.3	1.1	1.2
Noise per EN ISO 10517	Sound pressure level		dB (A)	93.0	92.8	93.9
			Uncertainty K	dB (A)	1.4	2.2
	Sound power level		dB (A)	103.0	103.2	103.8
			Uncertainty K	dB (A)	2.1	1.5
Mixture ratio (fuel: engine oil)		MAKITA genuine two-stroke engine oil		50 : 1		
		Other manufacturer's two-stroke engine oil		25 : 1		
Gear ratio				9 : 43		

DESIGNATION OF PARTS



	DESIGNATION OF PARTS		DESIGNATION OF PARTS		DESIGNATION OF PARTS
1	Blade	7	Carburetor (not shown)	13	Release lever
2	Blunt extension	8	I-O switch (ON-OFF)	14	Muffler
3	Front handle	9	Spark plug	15	Primer pump
4	Recoil starter	10	Lock-off lever	16	Fuel tank
5	Fuel tank cap	11	Throttle lever	17	Blade cover
6	Choke lever	12	Rear handle		

FUELS/REFUELING

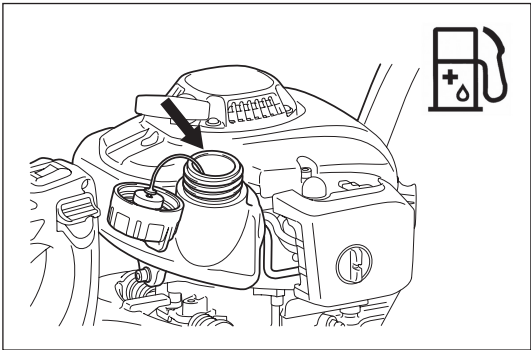
Fuel and oil mixture

- The engine of the hedge trimmer is a high-efficiency two-stroke engine. It is run with a mixture of fuel and two-stroke engine oil. The engine is designed for unleaded regular fuel with a min. octane value of 91 ROZ. In case no such fuel is available, you can use fuel with a higher octane value. This will not damage the engine, but may cause poor operating behaviour. A similar situation will arise from the use of leaded fuel. To obtain optimum engine operation and to protect your health and the environment, only unleaded fuel should be used!
- For lubricating the engine use a two-stroke engine oil (quality grade: TSC-3), which is added to the fuel. The engine has been designed for use with MAKITA two-stroke engine oil and a mixture ratio of 50:1 only to protect the environment. In addition, a long service life and a reliable operation with a minimum emission of exhaust gases is guaranteed. It is absolutely essential to observe a mixture ratio of 50:1 (MAKITA 2-stroke engine oil), otherwise the reliable function of the hedge trimmer cannot be guaranteed.
- The correct mixture ratio:
Gasoline: Specified two-stroke engine oil = 50 : 1 or
Gasoline: Other manufacturer's two-stroke engine oil = 25 : 1 recommended

NOTE: For preparing the fuel-oil mixture, first mix the entire oil quantity with half of the fuel required in an approved canister which meets or exceeds all local code standards. Then add the remaining fuel. Thoroughly shake the mixture before filling it into the hedge trimmer's tank. Do not add more engine oil than specified to ensure safe operation. It will only result in a higher production of combustion residues which will pollute the environment and clog the exhaust channel in the cylinder as well as the muffler. In addition, the fuel consumption will rise and the performance will decrease.

Handling petroleum products

Utmost care is required when handling fuels. Fuels may contain substances similar to solvents. Refuel either in a well ventilated area or outdoors. Do not inhale fuel vapors, avoid any contact of fuel or oil with your skin. If your skin comes in contact with these substances repeatedly and for an extended period of time, it will desiccate. Various skin diseases may result. In addition, allergic reactions are known to occur. Eyes can be irritated by contact with oil, fuel etc. If oil, fuel, etc., comes into your eyes, immediately wash them with clear water. If your eyes are still irritated, see a doctor immediately!



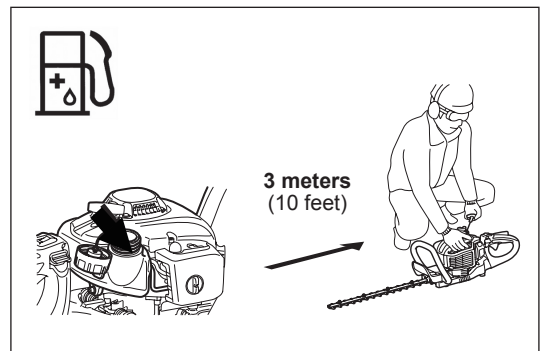
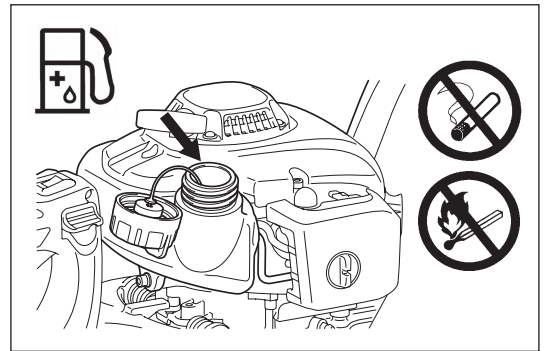
Gasoline	+	Oil
	50:1	
	50:1	
1,000 cm ³ (1 liter) 5,000 cm ³ (5 liter) 10,000 cm ³ (10 liter)		20 cm ³ 40 cm ³ 100 cm ³ 200 cm ³ 200 cm ³ 400 cm ³

Refuelling

- The engine must be switched off.
- Stop the engine during refuelling, keep away from flames and do not smoke.
- Take care not to spill either fuel or oil in order to prevent soil contamination. Clean the hedge trimmer immediately after fuel has been spilled.
- Do not spill fuel onto the engine. Wipe down if the fuel is spilled.
- Avoid any fuel contact with your clothes. Change your clothes instantly if fuel has been spilled on it (to prevent clothes catching fire).
- Inspect the fuel cap regularly making sure that it can be securely fastened and does not leak the fuel.
- Carefully tighten the fuel tank cap. Change location to start the engine (at least 3 meters away from the place of refuelling.)
- Never refuel in closed rooms. Fuel vapors accumulate at ground level. (Risk of explosions.)
- Transport and store fuel only in approved containers. Make sure the fuel stored is not accessible to children.
- Thoroughly clean the area around the tank cap to prevent dirt from getting into the fuel tank.
- Unscrew the plug and fill the tank with fuel. Use a gauze funnel to filter the fuel.
- Tightly screw on the plug by hand only.
- Clean around the screw plug and the tank after refuelling.
- Always wipe up any spilled fuel to prevent a fire.

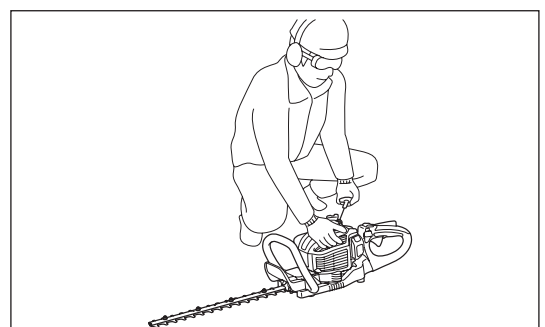
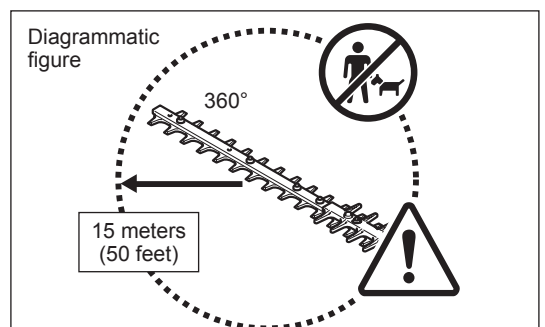
Storage of fuel

- Fuel cannot be stored for an unlimited period of time.
- Purchase only the quantity required for a 4 week operation period.
- Use approved fuel storage containers only.



PRECAUTIONS BEFORE STARTING

- Make sure that there are no children or other people within a working range of 15 meters. Also pay attention to any animal in the working vicinity.
- Before use always check that the hedge trimmer is safe for operation. Check the cutting device is not damaged, the control lever for easy action and check for the proper function of the I-O switch. Make sure that the cutting blades do not run when the engine is idling. Check with your dealer for adjustment if in doubt. Check for clean and dry handles and test function of the I-O switch.
- Start the hedge trimmer only in accordance with the instructions. Do not use any other methods for starting the engine. (See Starting)
- Start the engine only after the entire assembly is done. Operation of the engine is only permitted after all the appropriate accessories are attached. Otherwise there is a risk of injury.
- Before starting, make sure that the cutting blades have no contact with objects such as branches, stones, etc.
- Before trimming, inspect the area for wires, cords, glass, or other foreign objects which could come in contact with the blade.
- Electrical shock. Be aware of any and all electric lines and electric fences. Check all areas for electrical lines before cutting.



STARTING THE MACHINE

Move at least 3 meters away from the place of refuelling. Place the hedge trimmer on a clean area of ground. Make sure that the cutting blades do not come into contact with the ground or any other objects.

Cold starting: (When the engine is cold or it has been stopped for more than 5 minutes or when fuel is added to the engine.)

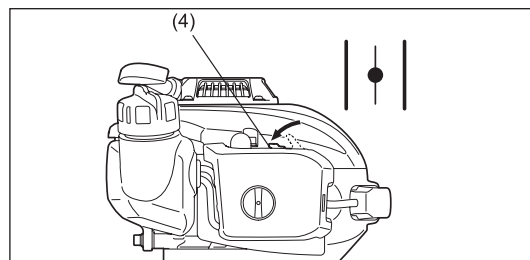
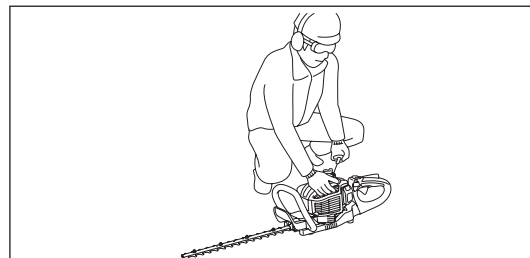
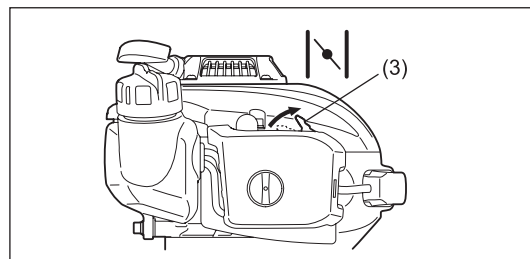
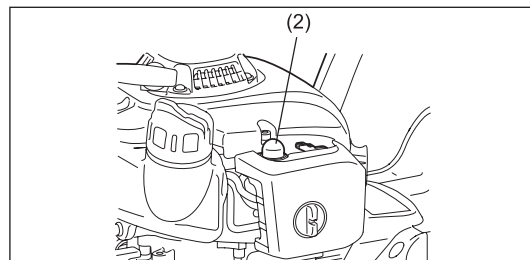
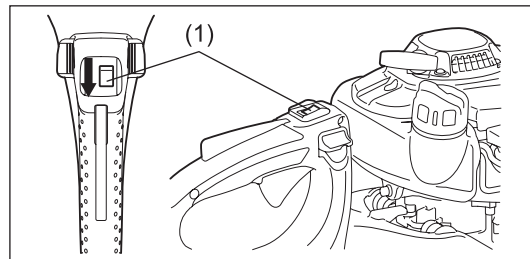
1. Push the I-O switch (1) to "I" position.
2. Repeat pushing the primer pump (2) gently (7 to 10 times) until the fuel comes into the primer pump.
3. Move the choke lever (3) to position "I".
4. Hold the hedge trimmer down firmly to avoid loss of control while cranking the engine. Failure to do so may cause serious injury and/or property damage due to falling or contact with the cutting blade.
5. Pull the starter handle slowly for 10 to 15 cm until you feel the resistance.
6. Pull the starter handle strongly with feeling the resistance and start the engine.
7. When the engine starts or pop-up and stop, return the choke lever (4) to "O".
8. Run the engine for approximately one minute at a moderate speed before accelerating to full throttle.

Note:

- If the starter handle is pulled repeatedly when the choke lever remains at "I" position, the engine will not start easily due to excessive fuel intake.
- In case of excessive fuel intake, remove the spark plug and pull the starter handle slowly to remove excess fuel. Also, dry the electrode section of the spark plug.

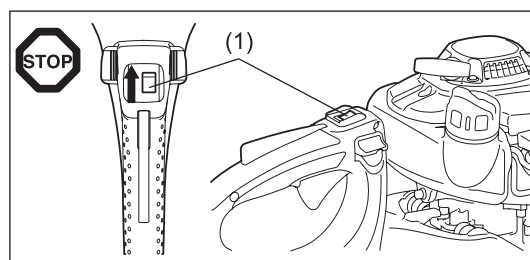
Hot starting: (Restarting immediately after the engine has stopped.) When restarting a hot engine, first try the above procedure: 1, 2, 4, 5, 6 with the choke lever (4) to "O". If the engine does not start, repeat above steps 1-8.

Note: Do not pull the starter rope to its full extension. Do not allow the starter grip to be retracted without control. Ensure that it is retracted slowly.



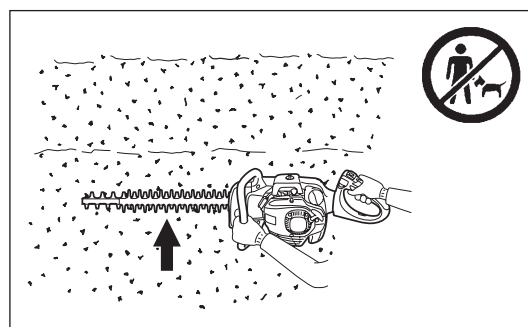
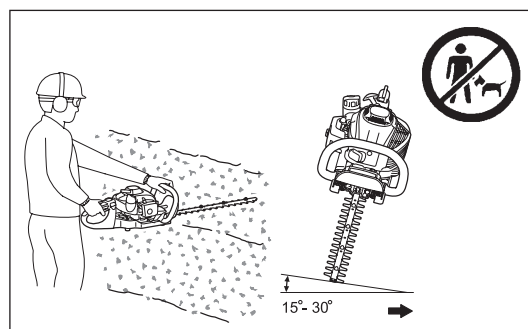
STOPPING THE MACHINE

1. Release the throttle lever completely.
2. Push the I-O switch (1) to "O" position. The engine will slow down and stop.



OPERATION OF THE MACHINE

- Never operate the hedge trimmer with a loose grip.
- Never touch the cutting blades when starting the engine and during operation.
- Operate the hedge trimmer in such a manner as to avoid inhalation of the exhaust gases. Never run the engine in enclosed rooms (Risk of gas poisoning). Carbon monoxide is an odorless gas.
- All protective equipment such as a guard supplied with the machine must be used during operation.
- Never operate the engine if the muffler is faulty or missing.
- Use the hedge trimmer only in good light and visibility.
- During the winter season beware of slippery or wet areas, ice and snow. (Risk of slipping.) Always ensure a safe footing.
- Never stand on a ladder and run the hedge trimmer. Keep both feet on the ground.
- Never climb up the trees with the hedge trimmer to perform cutting operation.
- Never work on unstable surfaces.
- Remove sand, stone, nails, wire, etc. found within the working area. Foreign objects may damage the cutting blades.
- Prior to the cutting operation, cut away 8 mm or thicker branches with pruning shears.
- Before commencing cutting, the cutting blades must have reached full working speed.
- Always hold the hedge trimmer firmly with both hands on the handles.
- Use a firm grip with thumbs and fingers encircling the handles.
- When you release the throttle, it takes a few moments before the cutting blades stop.
- Do not operate the hedge trimmer with high idle speed. You cannot adjust the cutting speed with the throttle control if the idle speed is too high.
- During the cutting operation, hold the hedge trimmer so that the blades form a 15-30° angle with the cutting line.
- Pay special attention when cutting hedges close to or against wire fences.
- Do not touch hard objects such as wire fence, stone or ground with the cutter blades. It may cause blades to crack, chip or break.
- Should the cutting blades hit stones or other hard objects, immediately switch off the engine and inspect the cutting blades for damage. Replace damaged blades before re-commencing work.
- Take a rest periodically. Makita recommends to take a 10- to 20-minute rest every 50 minutes of use.
- Switch off the engine immediately in case of any engine problems.
- Operate the hedge trimmer with as little noise and contamination as possible. In particular check the correct setting of the carburetor and the fuel/oil ratio.
- Never attempt to remove jammed cut material when blades are running. Put unit down, turn it off, and remove necessary cuttings.



ADJUSTING REAR HANDLE ANGLE

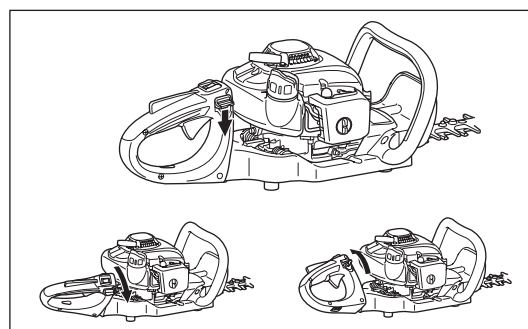
The rear handle can be turned down to 90° to the left or right side and set at every 45°.

To change the angle:

1. Press the release lever to release the lock.
2. Turn the handle to an angle of 0°, 45° or 90°.
3. Make sure that the release lever returns to the original position to engage the lock.

Do not pull the throttle lever while the lock is released.

Do not release the lock during operation.



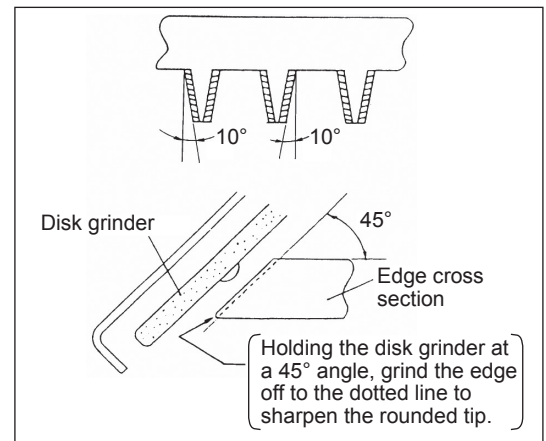
MAINTENANCE INSTRUCTIONS

- Turn off the engine and remove the spark plug connector when cleaning/replacing/sharpening the cutting blades or carrying out any maintenance.
- Never straighten or weld a damaged cutting blade.
- Frequently inspect the cutting blades for damage with the engine switched off.
- Keep the cutting blades sharp.
- Clean the hedge trimmer and check that all screws and nuts are well tightened regularly.
- Never service the hedge trimmer in the vicinity of naked flames to avoid fires.
- Always wear leather gloves when handling or sharpening the blades, as they are sharp.

Sharpening blade

If the edges are rounded and do not cut well any more, grind off only the shaded portions in the figure. Do not grind the contact surfaces (sliding surfaces) of the top and bottom edges.

- Before grinding, be sure to secure the blade firmly and switch off the engine and remove the spark plug cap.
- Wear gloves, protective glasses, etc.
- Do not remove too much material. It loses the hardened layer and causes the blades to get dull very quickly in use.

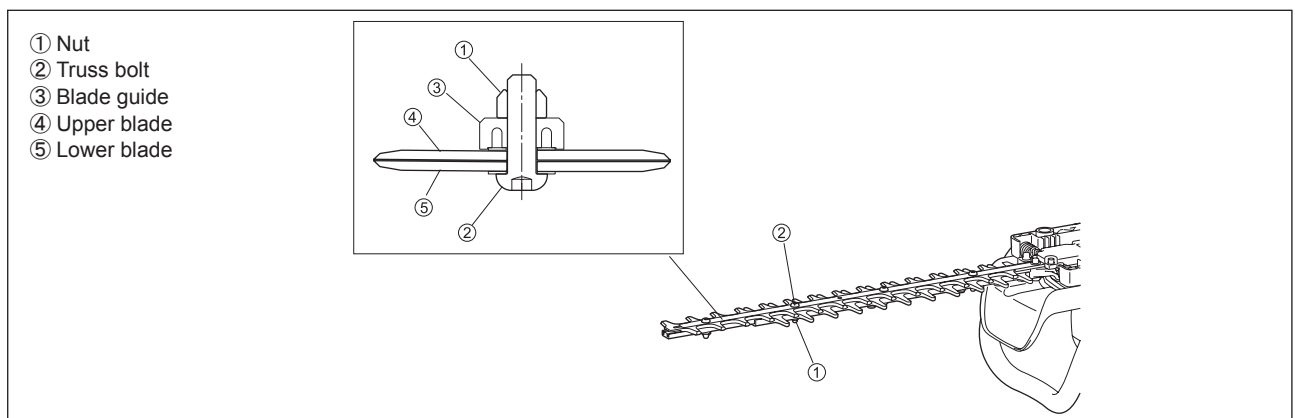


Adjusting blade clearance

The upper/lower blades wear. If you cannot get a clean cut though the blades are sharp enough, adjust the clearance as follows.

1. Remove the blunt extension by loosen the screws.
2. Loosen the nut (1) with a box or open-ended wrench.
3. Tighten the truss bolt (2) with a hex wrench lightly till it stops and screw it back a quarter turn.
4. Tighten the nut (1), holding the truss bolt (2).
5. Apply light oil on the friction surface of the blades.
6. Start the engine, operate the throttle on and off for a minute.
7. Measure the time necessary for the blades to stop after releasing the throttle. If it is two seconds or longer, stop the engine and repeat the step 2 to 7.
8. Stop the engine and touch the blade surface. If they are not too hot to touch, you have made a proper adjustment. If they are too hot to touch, turn the truss bolt (2) back a little and repeat the step 6 to 8.
9. Attach the blunt extension by tightening the screws.

NOTE: Before making the adjustment, stop the engine and wait for the blades to stop.
The blades have a slot around screw (2). In case you find dust in the end of any of the slots, clean it.



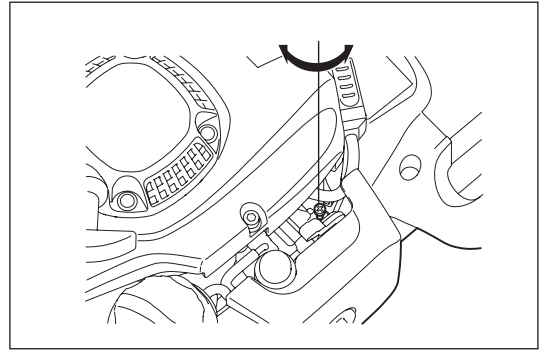
Checking and adjusting the idling speed

The cutting blades should not run when the engine is at idle.

- Idle speed should be set to 3,000 min⁻¹ (rpm).
- If necessary, adjust the idle screw (the cutting blades must not run when the engine is on idle).
 - The cutting blades run while idling - turn the idle screw counterclockwise to decrease the idle speed.
 - The engine stops while idling - turn the idle screw clockwise to increase the idle speed.

If the cutting blades still continue to run at idle after the adjustment, consult your nearest authorized service agent.

- The clutch should engage at 3,750 min⁻¹ (rpm) or higher revolution.
- Check the functioning of the I-O switch, the lock-off lever and the throttle lever.



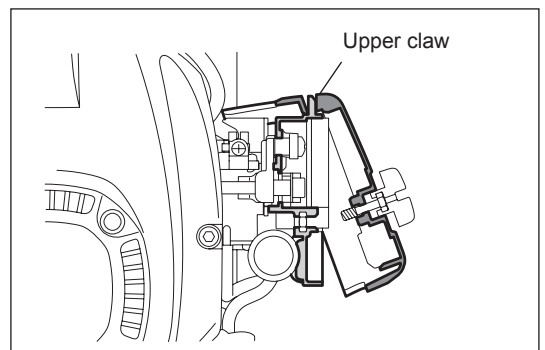
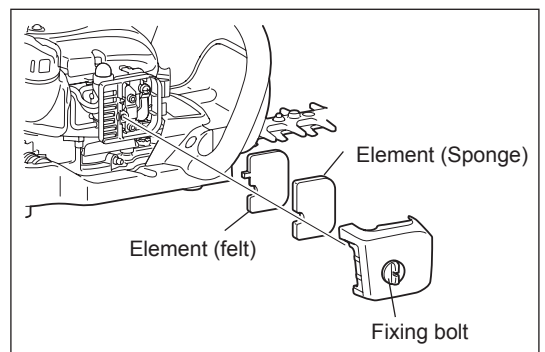
Cleaning the air cleaner



DANGER: Inflammables strictly prohibited

Check and clean the air cleaner daily or every 10 operating hours.

- Turn the choke lever to the close side fully, and keep the carburetor free from dust or dirt.
- Loosen the fixing bolt.
- Pull the rear side of the air cleaner cover and move it forward to detach.
- If oil adheres to the element (sponge), squeeze it firmly.
- For heavy contamination:
 - 1) Remove the element (sponge), immerse it in warm water or in water-diluted neutral detergent, and dry it completely.
 - 2) Clean the element (felt) with gasoline, and dry it completely.
- Before attaching the elements, be sure to dry it completely. Insufficient drying of the elements may lead to difficult startup.
- Wipe out oil adhering around the air cleaner with waste cloth.
- Immediately after cleaning is finished, attach the cleaner cover and tighten it with fixing bolts. (In remounting, first place the upper claw.)



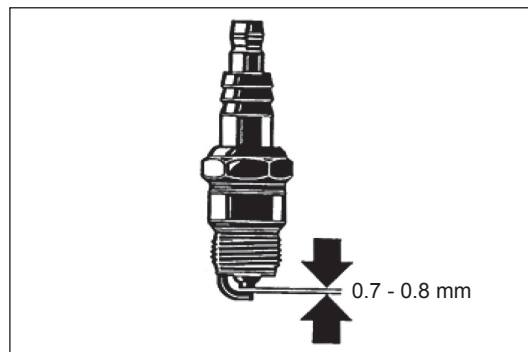
Points in handling the air cleaner elements

- Clean the elements several times a day, if excessive dust adheres to it.
- If operation continues with the elements remaining not cleared of oil, oil in the air cleaner may fall outside, resulting in oil contamination.

Checking the spark plug

Check and clean the spark plug daily or every 8 operating hours.

- Only use the supplied universal wrench to remove or install the spark plug.
- The gap between the two electrodes of the spark plug should be 0.7 to 0.8 mm. If the gap is too wide or too narrow, adjust it. If the spark plug is clogged with carbon or fouled, clean it thoroughly or replace it. Use an exact replacement.



Supplying grease and lubricant

- Supply grease through the grease nipple every 50 operating hours. (Shell Alvania No. 3 or equivalent)

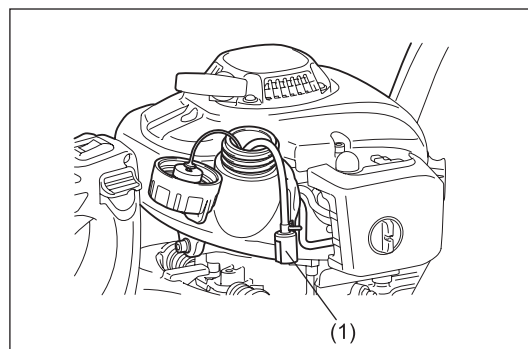
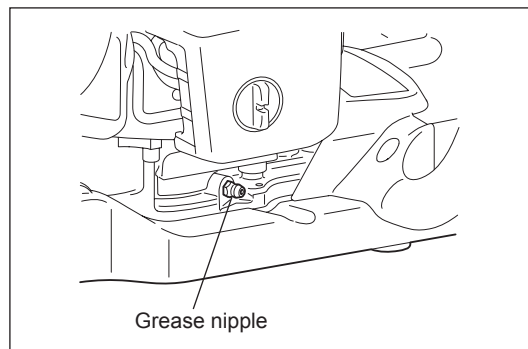
NOTE: Be sure to observe the specified time and amount of grease supply. Otherwise an insufficient grease supply will cause a machine trouble.

Cleaning the fuel filter (suction head in the fuel tank)

WARNING: Inflammables strictly prohibited

Check and clean the fuel filter monthly or every 50 operating hours.

- The felt filter (1) of the suction head is used to filter the fuel required by the carburetor.
- Visually check the felt filter regularly.
- To check the felt filter, open the tank cap, use a wire hook and pull out the suction head through the tank opening. Replace the felt filter if it has hardened, been contaminated or be clogged.
- Replace the felt filter at least quarterly to ensure an enough fuel supply to the carburetor. Otherwise an insufficient fuel supply will cause the engine start failure and limited maximum speed.



Replacing the fuel pipe

CAUTION: Inflammables strictly prohibited

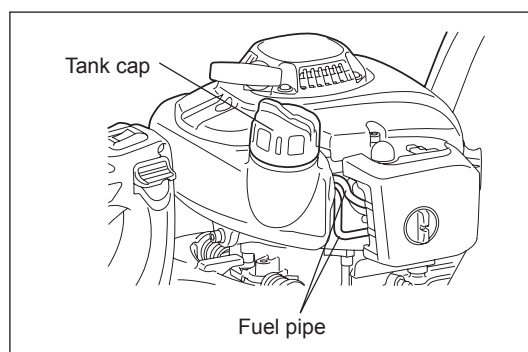
Check and clean the fuel pipe daily or every 10 operating hours.

Replace the fuel pipe every 200 operating hours or every year regardless of operating frequency. Otherwise fuel leakage may lead to fire.

If you find any leakage during inspection, replace the oil pipe immediately.

Replacing the tank cap

- If there is any flaw or damage on the tank cap, replace it.
- The tank cap wears out in course of time. Replace it every two or three years.



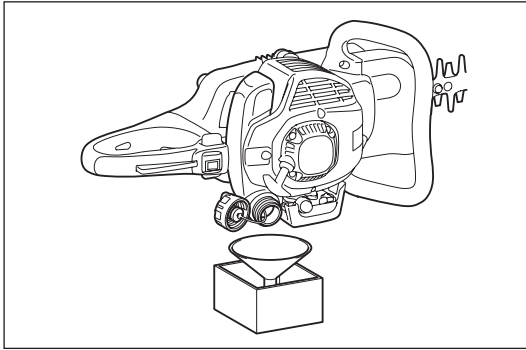
For any maintenance or adjustment not described in this manual, ask your local Makita authorized service center.

Daily checkup and maintenance

To ensure a long service life and to avoid any damage to the equipment, the following servicing operations should be performed at regular intervals.

- Before use;
 - Check the machine for loose screws or missing parts. Pay particular attention to the tightness of the cutter blade screws.
 - Check for clogging of the cooling air passage and the cylinder fins. Clean them if necessary.
 - Clean and check the fuel tank for fuel leakage or foreign object in the tank.
- After use;
 - Clean the hedge trimmer externally and inspect for damage.
 - Clean the air filter. When working under extremely dusty conditions, clean the filter several times a day.
 - Check the blades for damage and make sure they are firmly mounted.

STORAGE



- When keeping the machine in storage for a long time, drain fuel from the fuel tank and carburetor, as follows: Drain all fuel from the fuel tank.
- Remove the spark plug and add a few drops of oil into the spark plug hole. Then, pull the starter gently to confirm that oil film covers inside of the engine and tighten the spark plug.
- Clear dirt or dust from the cutter blade and outside of the engine, wipe them with a oil-immersed cloth and keep the machine at a place as dry as possible.

MAINTENANCE SCHEDULE

After each refuelling	Throttle lever I-O switch	Check the function Check the function
Before each use	Engine assembly, screws and nuts Air filter Cooling air duct Cutting tool Idling speed Fuel tank	Visually check for damage and tightness Check for general condition and security Clean Clean Check for damage and sharpness Inspection (cutting tool must not move) Check and clean
Every 50 hours	Gear case	Supply grease
Weekly	Spark plug	Check and replace if necessary
Yearly	Fuel pipe	Replace
Biyearly	Tank cap	Replace
Before long term storage	Fuel tank Carburetor Suction head	Empty and clean Operate until the engine runs out of fuel Replace

FAULT LOCATION

Fault	System	Observation	Cause
Engine not starting or under difficulties	Ignition system	Ignition spark is present	Faulty fuel supply or compression system, mechanical defect
		No ignition spark	I-O switch operated, wiring fault or short circuit, spark plug or connector defective, ignition module faulty
	Fuel supply	Fuel tank filled	Incorrect choke position, carburetor defective, suction head (gas line filter) dirty, fuel supply line bent or interrupted
	Compression	Inside of engine	Cylinder bottom gasket defective, crankshaft seals damaged, cylinder or piston rings defective
		Outside of engine	Improper sealing of spark plug
Warm start problems	Mechanical fault	Starter not engaging	Broken starter spring, broken parts inside of the engine
		Tank filled Ignition spark existing	Carburetor contaminated, have it cleaned
Engine starts but dies immediately	Fuel supply	Tank filled	Incorrect idling adjustment, suction head or carburetor contaminated
			Fuel tank vent defective, fuel supply line interrupted, cable or I-O switch faulty
Insufficient performance	Several systems may simultaneously be affected	Engine idling	Air filter contaminated, carburetor contaminated, muffler clogged, exhaust duct in the cylinder clogged

Merci beaucoup d'avoir choisi le taille-haie de MAKITA. Nous sommes ravis de pouvoir vous proposer le taille-haie de MAKITA, résultat d'un long programme de développement et de nombreuses années d'expérience et de connaissances.

Les modèles de taille-haie EH5000W, EH6000W et EH7500W associent différentes qualités, telles qu'une technologie de pointe et une conception ergonomique. Ils sont légers, pratiques, compacts et constituent un matériel professionnel pour de nombreuses applications.

Veillez lire, comprendre et suivre ce livret qui explique en détails les nombreuses caractéristiques qui en font un outil d'une performance exceptionnelle. Elles vous aideront à obtenir en toute sécurité les meilleurs résultats possibles à partir de votre taille-haie MAKITA.



Table des matières	Page
Symboles.....	17
Consignes de sécurité.....	18
Caractéristiques techniques.....	21
Nomenclature des pièces.....	22
Essence/plein d'essence.....	23
Précautions avant de commencer.....	24
Démarrage de l'appareil.....	25
Arrêt de l'appareil.....	25
Fonctionnement de l'appareil.....	26
Réglage de l'angle de la poignée arrière.....	26
Instructions de maintenance.....	27
Entreposage.....	30
Programme d'entretien.....	30
Résolution de pannes.....	30

SYMBOLES

Il est très important de comprendre les symboles suivants lors de la lecture de ce mode d'emploi.

	AVERTISSEMENT/DANGER		Mélange d'huile et d'essence
	Lire, comprendre et suivre Mode d'emploi		Démarrage manuel du moteur
	Interdit		Arrêt d'urgence
	Ne pas fumer		Premier secours
	Pas de flammes nues		Recyclage
	Porter des gants de protection		SOUS TENSION/DÉMARRAGE
	Éloigner les personnes et les animaux du lieu de travail		HORS TENSION/ARRÊT
	Porter des lunettes de protection et des protège-oreilles		Signe CE

CONSIGNES DE SÉCURITÉ

Instructions générales

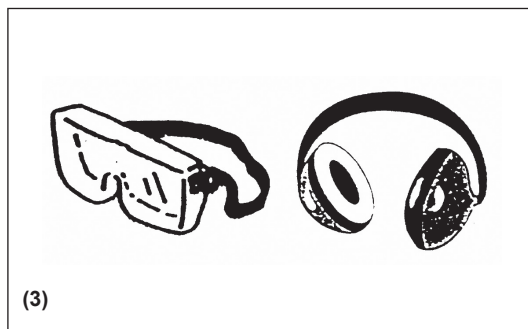
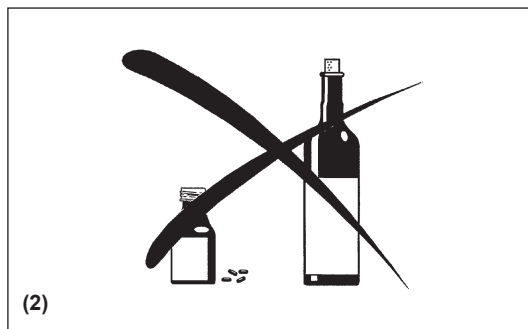
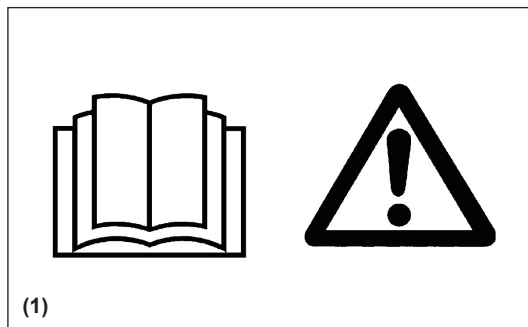
- CET APPAREIL PEUT PROVOQUER DES BLESSURES GRAVES. Lisez attentivement les instructions pour connaître les procédures d'utilisation, de préparation, d'entretien, de démarrage et d'arrêt de l'appareil. Familiarisez-vous avec toutes les commandes et l'utilisation correcte de l'appareil. (1)
- Il est préférable de ne prêter le taille-haie qu'à des personnes expérimentées avec les taille-haies. Prêtez-leur systématiquement le mode d'emploi.
- Veuillez d'abord demander des instructions de base auprès du vendeur, afin de vous familiariser avec le fonctionnement d'un taille-haie motorisé.
- Les enfants et les adolescents de moins de 18 ans ne doivent pas utiliser le taille-haie. Les personnes de plus de 16 ans peuvent l'utiliser à des fins de formation, mais uniquement sous la supervision d'un formateur agréé.
- N'utilisez le taille-haie qu'avec une précaution et une attention extrêmes.
- Utilisez le taille-haie uniquement si vous êtes en bonne condition physique. Effectuez tout le travail avec calme et prudence. Vous êtes responsables par rapport aux autres personnes.
- N'utilisez jamais le taille-haie après avoir consommé de l'alcool ou de la drogue, ou bien si vous vous sentez fatigué ou malade. (2)

Utilisation prévue de l'outil

- Le taille-haie est prévu uniquement pour tailler des buissons et des haies et il ne doit pas être utilisé à d'autres fins. Ne maltraitez pas le taille-haie.

Dispositif de protection individuelle

- Les vêtements que vous portez doivent être fonctionnels et adaptés, c'est-à-dire qu'ils doivent être près du corps, sans pour autant gêner vos mouvements. Ne portez pas de bijoux ou de vêtements amples susceptibles de s'emmêler dans les buissons ou petits arbustes, ou bien dans l'appareil.
- L'équipement et les vêtements de protection suivants doivent être utilisés pendant le fonctionnement du taille-haie afin de protéger vos yeux, vos mains, vos pieds et votre ouïe.
- Pendant l'utilisation du taille-haie, portez toujours des lunettes de protection ou une visière pour éviter de vous blesser les yeux. (3)
- Portez un équipement de protection antibruit adéquat afin d'éviter toute perte auditive, coquilles antibruit, bouchons d'oreille etc. (3)
- Nous vous recommandons fortement de porter une combinaison de travail. (4)
- Des gants spéciaux en cuir épais font partie de l'équipement recommandé et doivent toujours être portés pendant l'utilisation du taille-haie. (4)
- Lorsque vous utilisez le taille-haie, portez toujours des chaussures robustes équipées de semelles anti-dérapantes. Elles vous protégeront de blessures éventuelles et vous assureront une bonne stabilité. (4)



Démarrage du taille-haie

- Éloignez les personnes et les enfants du lieu de travail à une distance minimum de 15 mètres (5) et méfiez-vous également des animaux susceptibles de se trouver à proximité.
- Avant de faire fonctionner le taille-haie, vérifiez toujours qu'il peut être utilisé en toute sécurité.
- Vérifiez la sécurité du levier d'accélération. Le fonctionnement aisé et sans à-coups du levier d'accélération doit être vérifié. Vérifiez le bon fonctionnement du verrou du levier d'accélération. Vérifiez que les poignées sont propres et sèches et que l'interrupteur I-O fonctionne correctement. Veillez à ce que les poignées ne soient pas recouvertes d'huile ou d'essence.

Ne démarrez le taille-haie qu'en conformité avec les instructions.

Ne démarrez pas le moteur selon une autre méthode (6) !

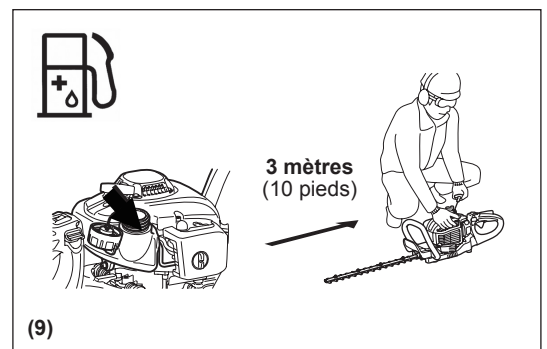
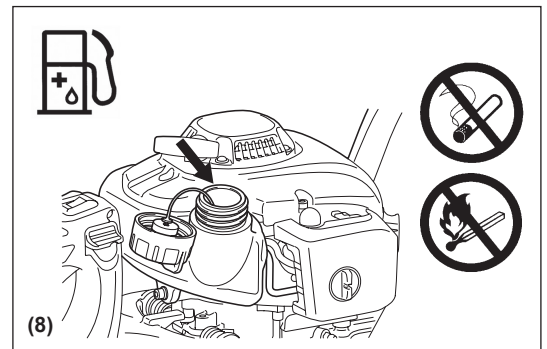
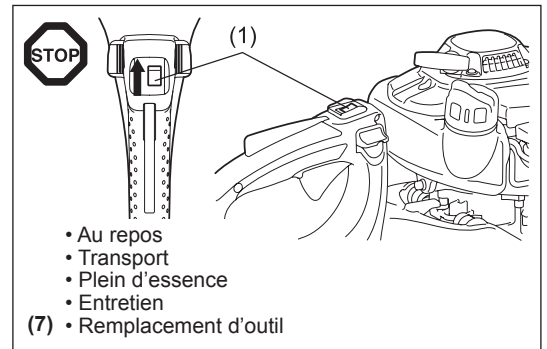
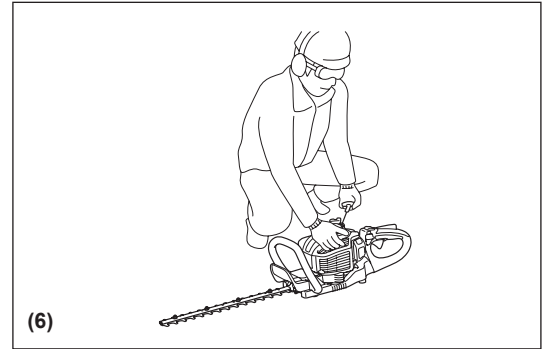
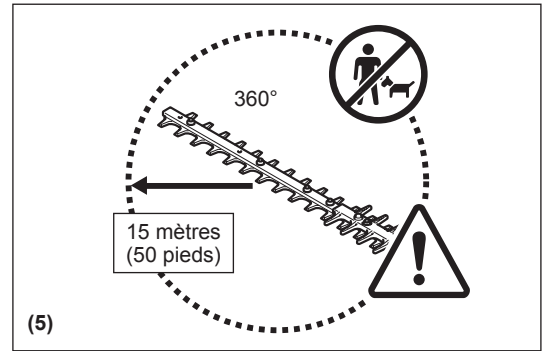
- Utilisez le taille-haie uniquement pour les applications spécifiées.
- Démarrez le moteur du taille-haie uniquement après avoir procédé au montage complet. L'utilisation du taille-haie est autorisée uniquement une fois que tous les accessoires adéquats ont été fixés !
- Avant de commencer, assurez-vous que la lame de coupe n'entre en contact avec aucun objet, tel que des branches, des pierres, etc.
- Arrêtez immédiatement le moteur en cas de problème au niveau de celui-ci.
- Lors de l'utilisation du taille-haie, gardez les deux mains sur les poignées avant et arrière en serrant bien vos doigts autour de celles-ci. Maintenez les poignées propres et dépourvues d'humidité, de résine, d'huile ou de graisse.

Assurez-vous toujours d'avoir une bonne stabilité.

- Utilisez uniquement en extérieur.
- Observez constamment votre environnement proche et restez attentif aux éventuels dangers que vous risquez de ne pas entendre en raison du bruit de l'appareil.
- Utilisez le taille-haie de façon à éviter d'inhaler les gaz d'échappement. Ne faites jamais tourner le moteur dans une pièce confinée (risque de suffocation et d'intoxication à cause des gaz). Le monoxyde de carbone est un gaz sans odeur. Assurez-vous toujours que la ventilation est adéquate.
- Coupez le moteur lorsque vous faites une pause et laissez le taille-haie sans surveillance. Placez-le dans un lieu sûr pour éviter de blesser des tiers, d'enflammer des matériaux combustibles ou d'endommager l'appareil.
- Ne placez jamais le taille-haie chaud sur de l'herbe sèche ou des matériaux combustibles.
- Pour réduire les risques d'incendie, dégagez le moteur et le silencieux des débris, des feuilles ou de l'excès de lubrifiant.
- Ne faites jamais fonctionner le moteur avec un pot d'échappement endommagé.
- Arrêtez le moteur lors du transport (7).
- Arrêtez le moteur avant de :
 - Supprimer un blocage ;
 - Vérifier, entretenir ou travailler sur l'appareil.
- Positionnez le taille-haie de manière sécurisée en cas de transport en voiture ou en camion afin d'éviter toute fuite de carburant.
- Lors du transport du taille-haie, assurez-vous que le réservoir de carburant est complètement vide afin d'éviter toute fuite.
- Lors du transport ou du stockage de l'appareil, installez toujours le carter du dispositif de coupe.

Faire le plein d'essence

- Coupez le moteur avant de faire le plein d'essence (7), tenez-le éloigné des flammes nues (8) et ne fumez pas.
- Ne tentez pas de faire le plein d'essence lorsque le moteur est chaud ou qu'il tourne.
- Évitez tout contact entre la peau et l'essence. Ne respirez pas les vapeurs d'essence. Portez toujours des gants de protection durant le plein d'essence. Changez et nettoyez les vêtements de protection à intervalles réguliers.
- Veillez à ne pas renverser d'essence ou d'huile, afin d'éviter toute contamination du sol (protection environnementale). Essuyez immédiatement le taille-haie en cas d'écoulement de carburant. Séchez les tissus utilisés pour essuyer le carburant dans une zone bien ventilée avant de les jeter. Dans le cas contraire, il y a risque de combustion spontanée.
- Évitez tout contact entre vos vêtements et l'essence. Changez immédiatement de vêtements si de l'essence s'y est renversée (risque de danger).
- Examinez régulièrement le bouchon du réservoir d'essence en vous assurant qu'il est bien fermé.
- Serrez soigneusement le bouchon du réservoir d'essence. Déplacez-vous pour démarrer le moteur (à au moins 3 mètres de l'endroit où vous avez fait le plein) (9).
- Ne faites jamais le plein dans une pièce confinée. Les vapeurs d'essence s'accumulent au niveau du sol (risque d'explosions).
- Transportez et stockez votre essence uniquement dans des conteneurs agréés. Assurez-vous que les enfants ne peuvent pas accéder au carburant.
- Si vous mélangez de l'essence et de l'huile pour moteur deux-temps, utilisez uniquement de l'essence dépourvue d'éthanol ou de méthanol (types d'alcool). Cela contribuera à empêcher l'endommagement des conduits d'essence et d'autres pièces du moteur.



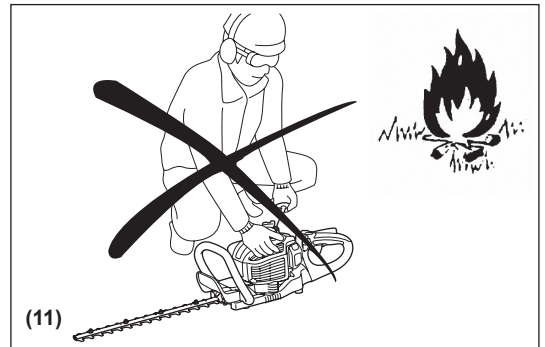
Mode d'emploi

- Utilisez toujours les deux mains pour tenir chaque poignée pendant le fonctionnement.
- Utilisez le taille-haie uniquement lorsque l'éclairage et la visibilité sont bons. Par temps froid, soyez attentifs aux zones glissantes ou mouillées, au verglas et à la neige (risques de glissade). Assurez-vous toujours d'avoir une bonne stabilité.
- Ne travaillez jamais sur des surfaces instables ou un terrain abrupt.
- N'utilisez jamais le taille-haie lorsque vous vous tenez sur une échelle.
- Ne montez jamais dans un arbre pour utiliser le taille-haie.
- Pour éviter de trébucher et de perdre le contrôle de l'appareil, ne reculez pas lors de son utilisation.
- Coupez toujours le moteur avant de nettoyer ou procéder à l'entretien de l'appareil ou bien de remplacer des pièces.
- Ne faites pas fonctionner l'appareil si le dispositif de coupe est endommagé ou excessivement usé.



Instructions d'entretien

- Respectez l'environnement. Faites fonctionner le taille-haie en émettant le moins de bruit et de pollution possible. Vérifiez notamment le bon réglage du carburateur.
- Nettoyez régulièrement le taille-haie et vérifiez que toutes les vis ainsi que les écrous sont bien serrés.
- Ne procédez jamais à l'entretien du taille-haie et ne le rangez pas à proximité de flammes nues, d'étincelles, etc. (11).
- Videz le réservoir d'essence avant de ranger le taille-haie.
- Ne rangez jamais le taille-haie à proximité de flammes nues afin d'éviter les risques d'incendie.
- Rangez le taille-haie dans un endroit bien ventilé et en hauteur ou sous verrou, hors de portée des enfants.
- Ne tentez pas de réparer l'appareil si vous n'êtes pas qualifié(e) pour le faire.



Respectez et suivez toutes les instructions relatives à la prévention des accidents publiées par le conseil de sécurité des associations professionnelles et les compagnies d'assurance.

N'effectuez aucune modification sur le taille-haie, au risque de mettre votre sécurité en danger.

L'exécution de l'entretien ou de réparations par l'utilisateur est limitée aux activités décrites dans le présent mode d'emploi. Toute autre tâche doit être réalisée par un agent d'entretien agréé.

Utilisez uniquement des pièces de rechange et des accessoires d'origine fournis par des centres d'entretien d'usine ou agréés MAKITA.

L'utilisation d'accessoires ou d'outils non approuvés augmente les risques d'accident et de blessure. MAKITA n'assumera aucune responsabilité en cas d'accidents ou de dommages provoqués par l'utilisation d'accessoires non approuvés.

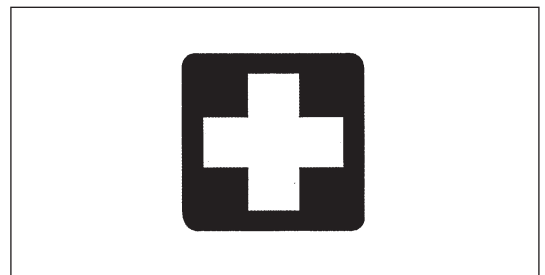
Premiers secours

En cas d'accident, assurez-vous qu'une trousse de premiers secours bien approvisionnée et conforme à la norme DIN 13164 se trouve à proximité des opérations de coupe.

Remplacez immédiatement tout article pris dans la trousse de premiers secours.

Lorsque vous demandez de l'aide, veuillez donner les renseignements suivants :

- Lieu de l'accident
- Que s'est-il passé
- Nombre de personnes blessées
- Étendue des blessures
- Votre nom



Emballage

Le taille-haie MAKITA est fourni dans un carton de protection afin d'éviter qu'il soit endommagé lors du transport. Le carton est une matière brute et peut donc être réutilisé ou recyclé (recyclage de papier).



DÉCLARATION DE CONFORMITÉ CE

Nous, **Makita Corporation**, en tant que fabricant responsable, déclarons que les machines Makita suivantes :

Nom de la machine : Taille-haie thermique

N° de modèle/Type : EH5000W, EH6000W, EH7500W

Spécifications : reportez-vous aux « CARACTÉRISTIQUES TECHNIQUES »

sont fabriquées en série et

sont conformes aux directives européennes suivantes :

2000/14/CE, 2006/42/CE

et sont produites conformément aux normes ou documents de normalisation suivants :

EN ISO 10517

La documentation technique est disponible auprès de notre représentant en Europe qui est :

Makita International Europe Ltd.

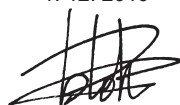
Michigan Drive, Tongwell, Milton Keynes, Bucks MK15 8JD, Angleterre

La procédure d'évaluation de la conformité requise par la directive 2000/14/CE est conforme à l'annexe V.

Niveau de puissance sonore mesurée : EH5000W 104,0 dB (A), EH6000W 104,2 dB (A), EH7500W 104,8 dB (A)

Niveau de puissance sonore garantie : Tous les modèles 106 dB (A)

1. 12. 2010



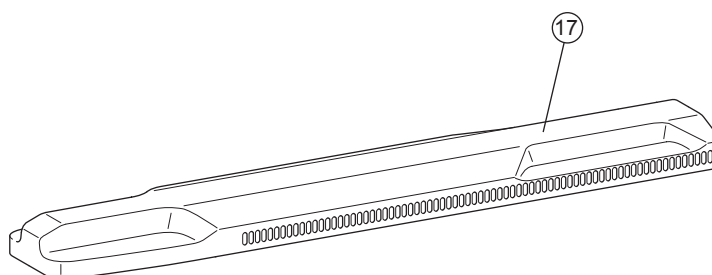
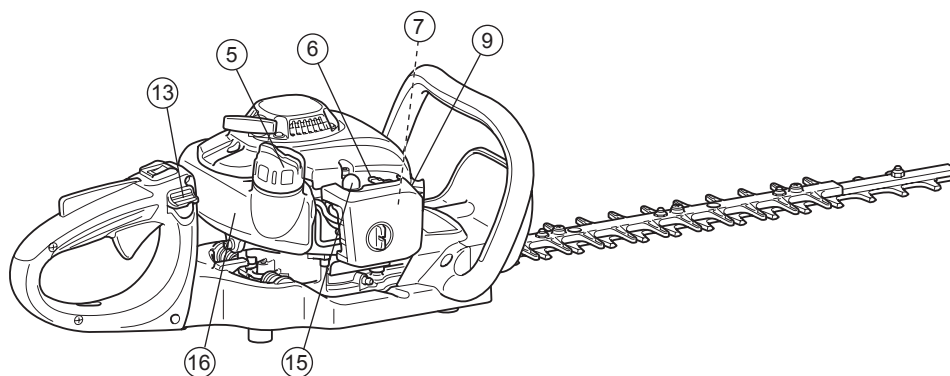
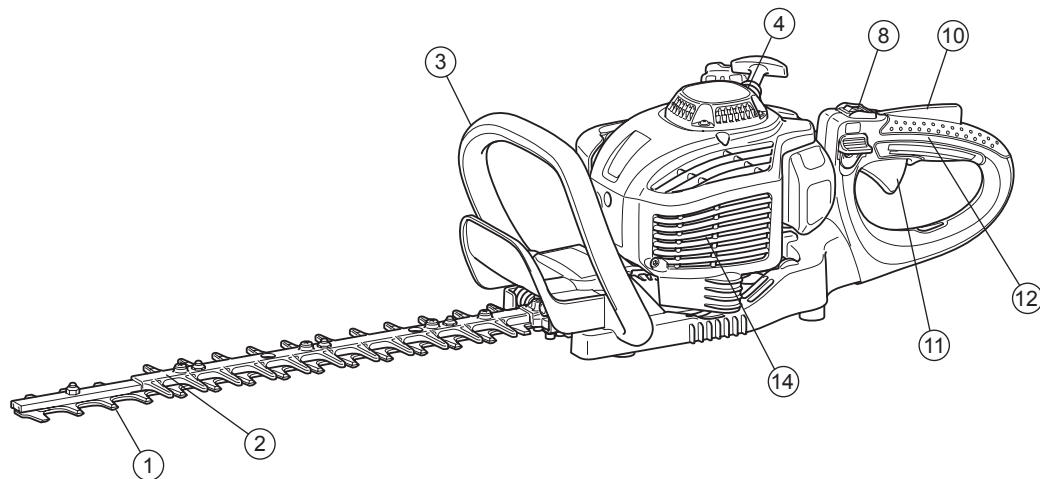
Tomoyasu Kato
Directeur

Makita Corporation
3-11-8, Sumiyoshi-cho,
Anjo, Aichi, 446-8502, JAPAN

CARACTÉRISTIQUES TECHNIQUES

Modèle		EH5000W	EH6000W	EH7500W		
Dimensions (L x P x H)		mm	1 014 x 262 x 216	1 119 x 262 x 216		
Poids (sans le couvercle de protection de la lame)		kg	4,8	5,0		
Volume (réservoir d'essence)		L	0,4			
Déplacement du moteur		cm ³	22,2			
Longueur de coupe		mm	483	588		
Performance du moteur maximum		kW	0,68			
Vitesse maximale de la lame		min ⁻¹	4 270			
Ralenti		min ⁻¹	3 000			
Vitesse d'engagement de l'engrenage		min ⁻¹	4 000			
Type de carburateur		type	WALBRO WYL			
Système d'allumage		type	Allumage à semi-conducteur			
Bougie d'allumage		type	NGK CMR6A			
Distance entre les électrodes		mm	0,7 - 0,8			
Vibrations selon la norme EN ISO 10517	Poignée droite	$a_{hv\ eq}$	m/s ²	2,5	2,7	2,3
		Incertitude K	m/s ²	1,3	1,1	1,6
	Poignée gauche	$a_{hv\ eq}$	m/s ²	2,5	2,8	2,3
		Incertitude K	m/s ²	1,3	1,1	1,2
Bruit selon la norme EN ISO 10517	Niveau de pression sonore		dB (A)	93,0	92,8	93,9
	Incertitude K		dB (A)	1,4	2,2	1,2
	Niveau de puissance sonore		dB (A)	103,0	103,2	103,8
	Incertitude K		dB (A)	2,1	1,5	1,3
Rapport du mélange (carburant : huile pour moteur)		Huile pour moteur deux-temps d'origine MAKITA		50 : 1		
		Huile pour moteur deux-temps d'autres fabricants		25 : 1		
Rapport de vitesse		9 : 43				

NOMENCLATURE DES PIÈCES



	NOMENCLATURE DES PIÈCES		NOMENCLATURE DES PIÈCES		NOMENCLATURE DES PIÈCES
1	Lame	7	Carburateur (non illustré)	13	Levier de débrayage
2	Rallonge de lame	8	Interrupteur I-O (marche/arrêt)	14	Silencieux
3	Poignée avant	9	Bougie d'allumage	15	Pompe d'amorçage
4	Lanceur à rappel	10	Levier de verrouillage	16	Réservoir d'essence
5	Bouchon du réservoir d'essence	11	Levier d'accélération	17	Couvercle de protection de la lame
6	Levier de l'étrangleur	12	Poignée arrière		

Mélange d'huile et d'essence

- Le moteur du taille-haie est un moteur deux-temps très efficace. Pour fonctionner, il utilise un mélange de carburant et d'huile pour moteur deux-temps. Le moteur est conçu pour l'essence normale sans plomb et d'une valeur d'octane minimale de 91 ROZ. Si ce type de carburant n'est pas disponible, vous pouvez utiliser du carburant d'un indice d'octane plus important. Cela n'endommagera pas le moteur mais pourra entraîner un mauvais comportement lors du fonctionnement. La même situation se produira si vous utilisez du carburant au plomb. Pour obtenir des performances optimales du moteur et protéger votre santé ainsi que l'environnement, utilisez uniquement du carburant sans plomb !
- Pour lubrifier le moteur, utilisez de l'huile pour moteur deux-temps (norme qualité : TSC-3), que vous ajoutez au carburant. Le moteur a été conçu pour être utilisé avec de l'huile pour moteur deux-temps de MAKITA et une proportion de mélange de 50:1 uniquement pour protéger l'environnement. En outre, une longue durée de service et un fonctionnement fiable avec une émission minimale des gaz d'échappement sont garantis. Il est absolument essentiel de respecter une proportion de mélange de 50:1 (huile pour moteur deux temps de MAKITA). Dans le cas contraire, la fiabilité du fonctionnement du taille-haie ne peut pas être garanti.
- Proportion correcte du mélange :
Essence : huile moteur deux temps spécifiée = 50 : 1 ou
Essence : huile moteur deux temps des autres fabricants = 25 : 1 recommandé

REMARQUE : Pour préparer le mélange carburant-huile, mélangez d'abord l'ensemble de la quantité d'huile avec la moitié du carburant requis dans un bidon approuvé satisfaisant ou excédant les normes locales.

Ajoutez ensuite le carburant restant. Secouez bien le mélange avant de le verser dans le réservoir du taille-haie.

N'ajoutez pas davantage d'huile moteur que la quantité spécifiée afin de garantir un fonctionnement en toute sécurité. Une quantité trop importante d'huile moteur entraînerait une production plus élevée de résidus de combustion qui polluent l'environnement et bouchent le canal d'échappement dans le cylindre ainsi que le pot d'échappement. De plus, la consommation d'essence augmenterait et les performances diminueraient.

Manipulation de l'essence

Le plus grand soin est requis lors de la manipulation du carburant. Le carburant peut contenir des substances similaires aux solvants. Faites le plein dans une zone bien ventilée ou en extérieur.

Ne respirez pas les vapeurs d'essence, évitez tout contact du carburant ou de l'huile avec votre peau.

Le contact répété de la peau avec ces substances pendant une période prolongée entraîne le dessèchement de la peau et peut provoquer de nombreuses maladies de peau. Des réactions allergiques peuvent également se produire.

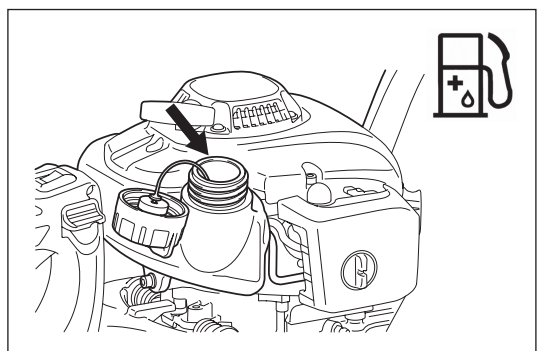
Le contact de l'huile, de l'essence, etc., avec les yeux peut irriter ces derniers.

Si de l'huile, de l'essence, etc., pénètre dans vos yeux, lavez-les immédiatement à l'eau claire.

Si vos yeux sont toujours irrités, consultez immédiatement un docteur !



Observez les instructions de sécurité décrites à la page 19.



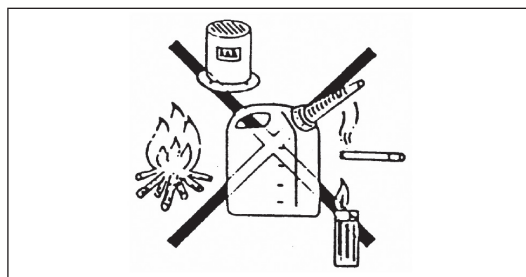
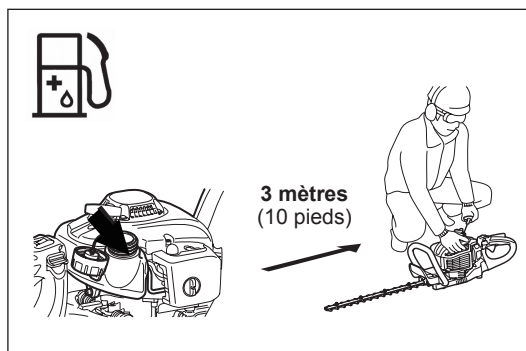
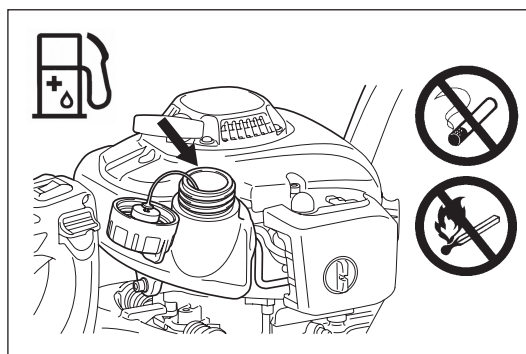
Essence		Huile
	+	
	50:1	25:1
1 000 cm ³ (1 litre)		20 cm ³ 40 cm ³
5 000 cm ³ (5 litre)		100 cm ³ 200 cm ³
10 000 cm ³ (10 litre)		200 cm ³ 400 cm ³

Faire le plein d'essence

- Le moteur doit être mis hors tension.
- Coupez le moteur lors du plein d'essence, éloignez-le des flammes nues et ne fumez pas.
- Veillez à ne pas renverser d'essence ou d'huile, afin d'éviter toute contamination du sol. Nettoyez immédiatement la taille-haie en cas d'écoulement de carburant.
- Ne renversez pas de carburant sur le moteur. Essuyez-le s'il a été renversé.
- Évitez tout contact entre vos vêtements et l'essence. Si vous renversez de l'essence sur vos vêtements, changez-en immédiatement (pour éviter que vos vêtements ne prennent feu).
- Vérifiez régulièrement le bouchon du réservoir d'essence pour vous assurer qu'il est bien serré et ne fuit pas.
- Serrez soigneusement le bouchon du réservoir d'essence. Déplacez-vous pour démarrer le moteur (à au moins 3 mètres de l'endroit où vous avez fait le plein).
- Ne faites jamais le plein dans une pièce confinée. Les vapeurs d'essence s'accumulent au niveau du sol. (Risque d'explosion.)
- Transportez et stockez l'essence uniquement dans des conteneurs agréés. Assurez-vous que les enfants ne peuvent pas accéder à l'essence.
- Nettoyez parfaitement la zone autour du bouchon du réservoir d'essence pour éviter que la saleté pénètre à l'intérieur du réservoir d'essence.
- Dévissez le bouchon et remplissez le réservoir d'essence. Utilisez un entonnoir muni de gaze pour filtrer l'essence.
- Serrez à fond le bouchon à la main uniquement.
- Nettoyez autour du bouchon fileté et du réservoir après avoir fait le plein.
- Essuyez toujours les coulures d'essence pour éviter tout incendie.

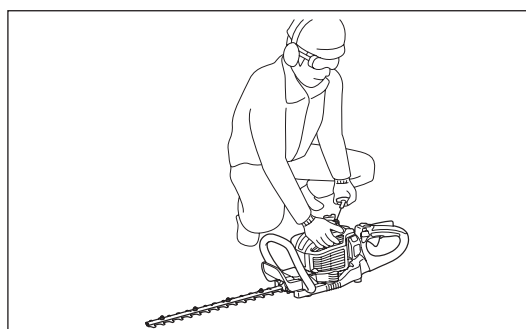
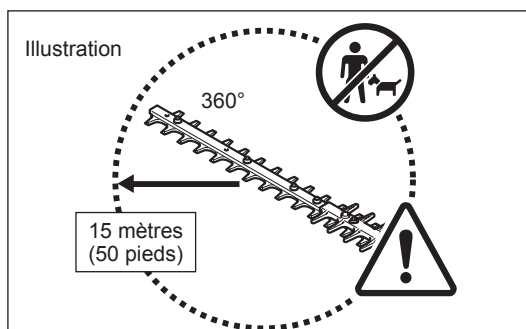
Stockage d'essence

- L'essence ne peut pas être conservée pendant une durée illimitée.
- N'achetez que la quantité requise pour une période de 4 semaines d'utilisation.
- Utilisez uniquement des bidons d'essence homologués.



PRÉCAUTIONS AVANT DE COMMENCER

- Assurez-vous qu'aucun enfant ou adulte ne se trouve à moins de 15 mètres de la zone de travail. Surveillez également les animaux situés aux alentours.
- Avant d'utiliser la taille-haie, vérifiez toujours qu'il peut fonctionner en toute sécurité. Vérifiez que le dispositif de coupe n'est pas endommagé, que le levier de commande peut être actionné facilement et que l'interrupteur I-O fonctionne correctement. Assurez-vous que les lames ne fonctionnent pas lorsque le moteur est au ralenti. En cas de doute, vérifiez le réglage avec votre revendeur. Vérifiez que les poignées sont propres et sèches et que l'interrupteur I-O fonctionne correctement.
- Ne démarrez la taille-haie qu'en conformité avec les instructions. Ne démarrez pas le moteur selon une autre méthode. (Voir Démarrage)
- Démarrez le moteur uniquement après avoir procédé au montage complet. Vous n'êtes autorisé à faire fonctionner le moteur qu'après avoir fixé tous les accessoires correspondants. Dans le cas contraire, vous risquez de vous blesser.
- Avant de commencer, assurez-vous que la lame de coupe n'entre en contact avec aucun objet, tel que des branches, des pierres, etc.
- Avant de procéder à la taille, examinez la zone dans laquelle vous allez travailler afin de repérer les fils, cordons, verres ou autres corps étrangers susceptibles d'entrer en contact avec la lame.
- Choc électrique. Méfiez-vous des lignes et clôtures électriques. Avant de procéder à la coupe, vérifiez si la zone de travail comporte des lignes électriques.



DÉMARRAGE DE L'APPAREIL

Éloignez-vous d'au moins 3 mètres de l'endroit où vous avez effectué le plein. Placez le taille-haie sur une surface propre. Assurez-vous que la lame de coupe n'entre pas en contact avec le sol ou tout autre objet.

Démarrage à froid : (Lorsque le moteur est froid ou a été arrêté pendant plus de 5 minutes, ou bien lors de l'ajout d'essence dans le moteur.)

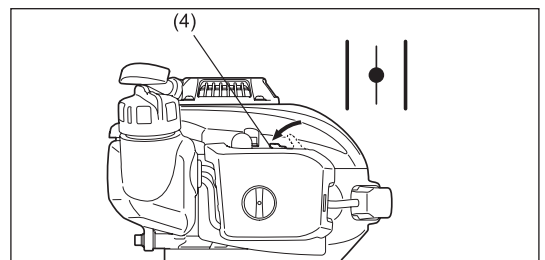
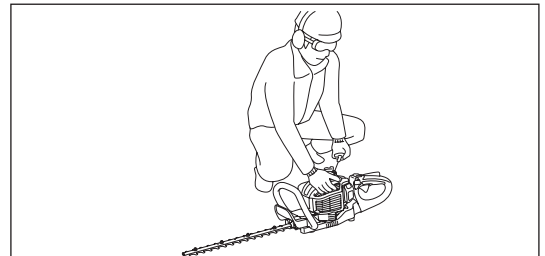
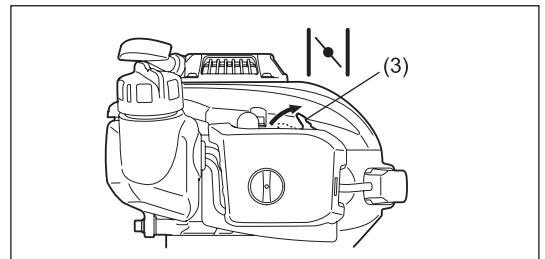
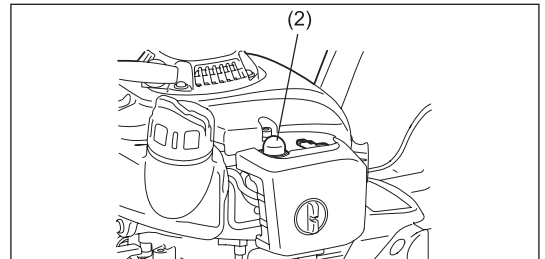
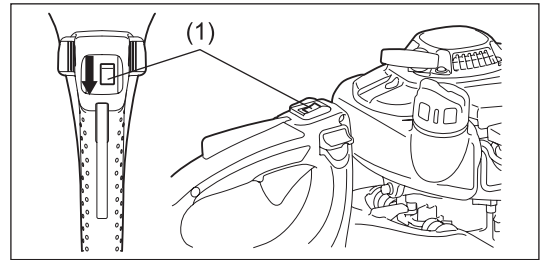
1. Enfoncez l'interrupteur I-O (1) en position « I ».
2. Appuyez plusieurs fois (7 à 10 fois) doucement sur la pompe d'amorçage (2) jusqu'à ce que l'essence pénètre à l'intérieur de celle-ci.
3. Déplacez le levier de l'étrangleur (3) en position « |↘| ».
4. Tenez fermement le taille-haie pour éviter toute perte de contrôle au démarrage du moteur. Le non respect de cette instruction peut provoquer des blessures graves et/ou des dégâts matériels résultant de la chute de la lame de coupe ou du contact avec celle-ci.
5. Tirez lentement sur la poignée du démarreur de 10 à 15 cm jusqu'à ce que vous sentiez une résistance.
6. Tirez fortement sur la poignée du démarreur malgré la résistance et démarrez le moteur.
7. Lorsque le moteur démarre ou toussote et s'arrête, remplacez le levier de l'étrangleur (4) en position « |↑| ».
8. Faites tourner le moteur pendant environ une minute à vitesse modérée avant d'accélérer à pleins gaz.

Remarque : • Si vous tirez plusieurs fois sur la poignée de démarrage lorsque le levier de l'étrangleur est en position « |↘| », le moteur ne démarre pas facilement car il est noyé.

- Si une entrée de carburant excessive se produit, enlevez la bougie et tirez la poignée de démarrage lentement pour retirer l'excès de carburant. Séchez également la partie de l'électrode de la bougie.

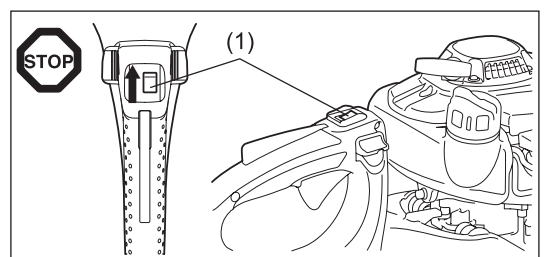
Démarrage à chaud : (Redémarrage immédiat après l'arrêt du moteur.) Lorsque vous redémarrez un moteur chaud, essayez d'abord la procédure ci-dessus : 1, 2, 4, 5, 6 en plaçant le levier de l'étrangleur (4) en position « |↑| ». Si le moteur ne démarre pas, répétez les étapes 1 à 8 ci-dessus.

Remarque : Ne tirez pas le câble du démarreur entièrement. Ne laissez pas la poignée du démarreur se rétracter sans la contrôler. Assurez-vous qu'elle se rétracte lentement.



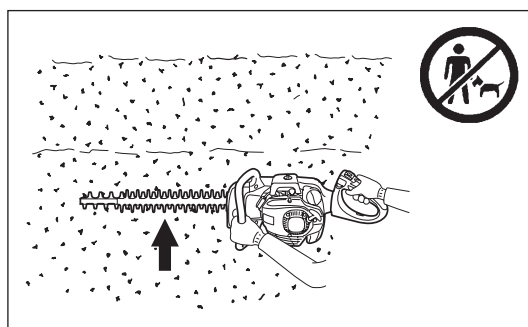
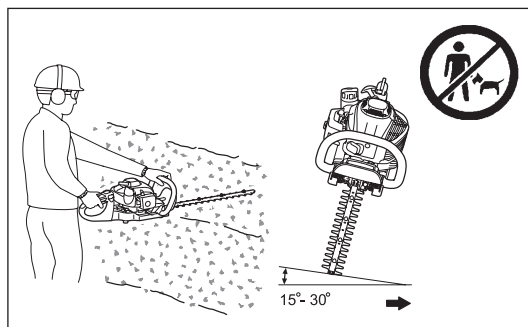
ARRÊT DE L'APPAREIL

1. Relâchez complètement le levier d'accélération.
2. Enfoncez l'interrupteur I-O (1) en position « O ». Le moteur ralentit et s'arrête.



FONCTIONNEMENT DE L'APPAREIL

- Ne faites jamais fonctionner le taille-haie lorsque la poignée est détendue.
- Ne touchez jamais les lames de coupe au démarrage du moteur et pendant son fonctionnement.
- Utilisez le taille-haie de façon à éviter d'inhaler les gaz d'échappement. Ne faites jamais tourner le moteur dans une pièce confinée (risque d'intoxication aux gaz). Le monoxyde de carbone est un gaz inodore.
- Tous les équipements de protection fournis avec l'appareil, tels que le carter, doivent être utilisés pendant le fonctionnement de celui-ci.
- Ne faites jamais fonctionner le moteur si le pot d'échappement est défectueux ou manquant.
- Utilisez le taille-haie uniquement lorsque l'éclairage et la visibilité sont bons.
- En hiver, méfiez-vous des zones glissantes ou mouillées, du verglas et de la neige. (risque de glissade.) Assurez-vous toujours d'avoir une bonne stabilité.
- N'utilisez jamais le taille-haie lorsque vous vous tenez sur une échelle. Gardez les pieds au sol.
- Ne montez jamais dans un arbre pour effectuer des opérations de coupe avec le taille-haie.
- Ne travaillez jamais sur des surfaces instables.
- Retirez le sable, les pierres, les clous, etc., trouvés à l'intérieur du périmètre de travail. Les corps étrangers risqueraient d'endommager les lames de coupe.
- Avant de procéder à la coupe, découpez les branches d'un diamètre d'au moins 8 mm avec un sécateur.
- Avant de commencer à couper, vous devez attendre que les lames de coupe aient atteint leur vitesse de fonctionnement maximale.
- Tenez toujours fermement le taille-haie en posant les deux mains sur les poignées.
- Encercliez les poignées, en serrant fortement avec le pouce et l'index.
- Lorsque vous décélérez, vous devez attendre un certain temps avant que les lames de coupe s'arrêtent complètement.
- Ne faites pas fonctionner le taille-haie à vitesse élevée au ralenti. Vous ne pouvez pas régler la vitesse de coupe avec la commande d'accélération si la vitesse de ralenti est trop élevée.
- Pendant l'opération de coupe, tenez le taille-haie de sorte que les lames forment un angle de 15 à 30° avec la ligne de coupe.
- Soyez particulièrement vigilant lors de la taille des haies situées à proximité ou contre des clôtures en fils de fer.
- Ne touchez pas les objets durs, tels que les clôtures en fils de fer, les pierres ou le sol, avec les lames de coupe. Vous risqueriez de fissurer, buriner ou briser les lames.
- Si les lames de coupe heurtent des pierres ou d'autres objets durs, coupez immédiatement le moteur et vérifiez que les lames de coupe ne sont pas endommagées. Avant de reprendre le travail, remplacez les lames endommagées.
- Faites des pauses régulièrement. Makita recommande de faire une pause de 10 à 20 minutes toutes les 50 minutes d'utilisation.
- En cas de problème au niveau du moteur, arrêtez-le immédiatement.
- Faites fonctionner le taille-haie en émettant le moins de bruit et de contamination possible. En particulier, vérifiez que le carburateur et le rapport essence/huile sont bien paramétrés.
- N'essayez jamais de dégager un matériau de coupe coincé lorsque les lames fonctionnent. Posez l'appareil, éteignez-le et retirez les éléments coincés.



RÉGLAGE DE L'ANGLE DE LA POIGNÉE ARRIÈRE

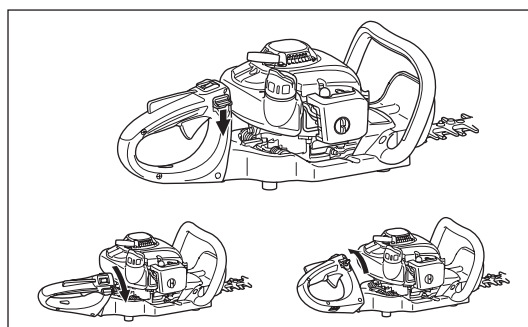
Vous pouvez tourner la poignée arrière vers le bas à 90°, vers la gauche ou la droite et la bloquer tous les 45°.

Pour modifier l'angle, procédez comme suit :

1. Appuyez sur le levier de débrayage pour débloquer le verrou.
2. Tournez la poignée selon un angle de 0°, 45° ou 90°.
3. Assurez-vous que le levier de débrayage repasse en position d'origine pour enclencher le verrou.

Ne tirez pas sur le levier d'accélération lorsque le verrou est débloqué.

Ne débloquez pas le verrou pendant le fonctionnement.



INSTRUCTIONS DE MAINTENANCE

- Éteignez le moteur et retirez le connecteur de la bougie lors du nettoyage/remplacement/affûtage des lames de coupe ou lors d'un quelconque tâche d'entretien.
- Ne redressez et ne soudez jamais des lames de coupe endommagées.
- Examinez fréquemment les lames de coupe après avoir éteint le moteur afin de vous assurer qu'elles ne sont pas endommagées.
- Maintenez les lames de coupe affûtées.
- Nettoyez régulièrement le taille-haie et vérifiez que toutes les vis et tous les écrous sont bien serrés.
- Ne procédez jamais à l'entretien du taille-haie à proximité de flammes nues afin d'éviter les risques d'incendie.
- Portez toujours des gants en cuir lorsque vous manipulez ou affûtez les lames, car elles sont tranchantes.

Affûtage de la lame

Si les bords sont arrondis et ne coupent plus très bien, polissez uniquement les parties ombrées sur la figure. Ne polissez pas les surfaces de contact (surfaces glissantes) des bords supérieur et inférieur.

- Avant de procéder au polissage, veillez à sécuriser fermement la lame et coupez le moteur, puis retirez le capuchon de la bougie.
- Portez des gants, des lunettes de protection, etc.
- Ne retirez pas trop de matériau. Vous risqueriez d'éliminer la couche durcie et d'entraîner l'usure rapide des lames lors de l'utilisation.

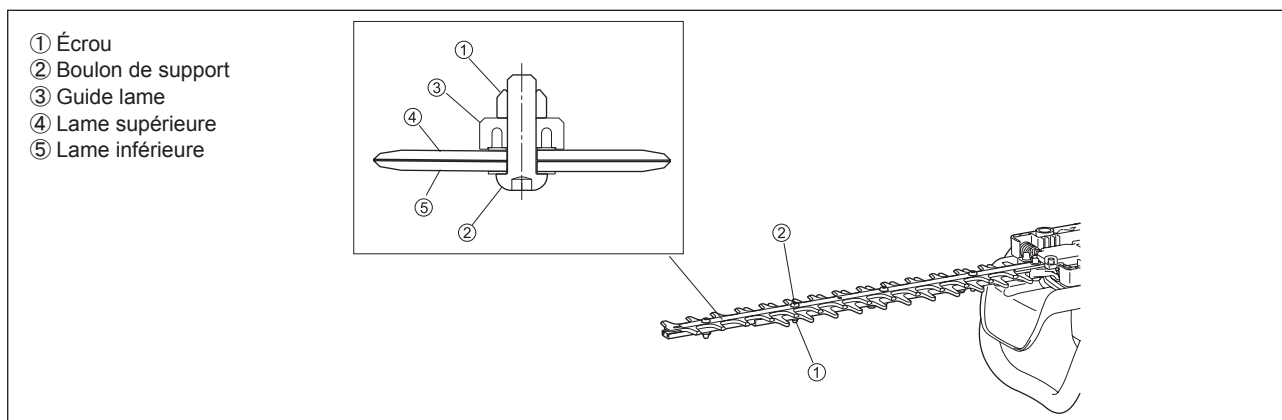
Réglage du jeu entre les lames

Les lames supérieure/inférieure s'usent. Si vous ne parvenez pas à obtenir une coupe nette alors que les lames sont suffisamment tranchantes, réglez le jeu comme suit.

1. Retirez la rallonge de lame en dévissant les vis.
2. Desserrez l'écrou (1) avec une clé polygonale ou ouverte.
3. Serrez légèrement le boulon de support (2) à l'aide d'une clé hexagonale jusqu'à ce qu'il s'arrête et desserrez-le d'un quart de tour.
4. Serrez l'écrou (1), en tenant le boulon de support (2).
5. Appliquez de l'huile légère sur la surface de friction des lames.
6. Démarrez le moteur, puis accélérez et décélérez pendant une minute.
7. Calculez le temps nécessaire à l'arrêt des lames après le début de la décélération. Si celui-ci est de 2 secondes au moins, coupez le moteur et répétez les étapes 2 à 7.
8. Coupez le moteur et touchez la surface des lames. Si elles ne sont pas trop chaudes et peuvent être touchées, le réglage effectué est correct. Si elles sont trop chaudes pour être touchées, desserrez légèrement le boulon de support (2) et répétez les étapes 6 à 8.
9. Fixez la rallonge de lame en serrant les vis.

REMARQUE : Avant de procéder au réglage, coupez le moteur et attendez l'arrêt des lames.

Les lames comportent une fente autour de la vis (2). Si vous découvrez de la poussière dans l'une des fentes, retirez-la.



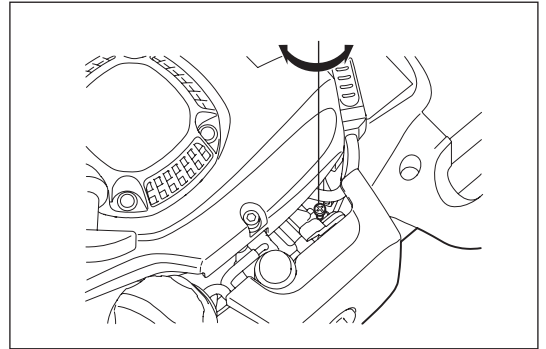
Vérification et réglage de la vitesse du ralenti

Les lames ne doivent pas fonctionner lorsque le moteur est au ralenti.

- La vitesse du ralenti doit être réglée sur $3\ 000\ \text{min}^{-1}$ (tr/mn).
- Au besoin, réglez la vis de réglage du ralenti (les lames de coupe ne doivent pas fonctionner lorsque le moteur tourne au ralenti).
 - Les lames de coupe fonctionnent pendant le ralenti : tournez la vis de réglage du ralenti dans le sens antihoraire pour réduire la vitesse du ralenti.
 - Le moteur s'arrête pendant le ralenti : tournez la vis de réglage du ralenti dans le sens horaire pour augmenter la vitesse du ralenti.

Si les lames de coupe continuent à fonctionner pendant le ralenti après le réglage, contactez votre agent d'entretien agréé le plus proche.

- L'embrayage doit s'engager à $3\ 750\ \text{min}^{-1}$ (tr/mn) ou lorsque la révolution est plus élevée.
- Vérifiez le fonctionnement de l'interrupteur I-O, du levier de verrouillage et du levier d'accélération.



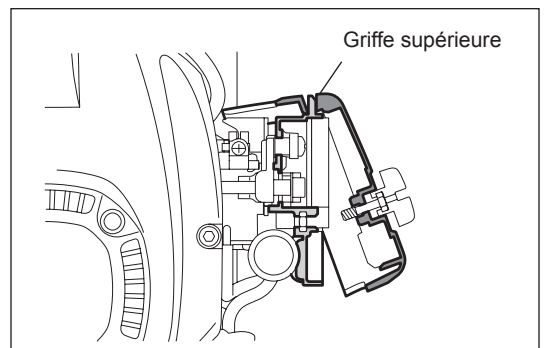
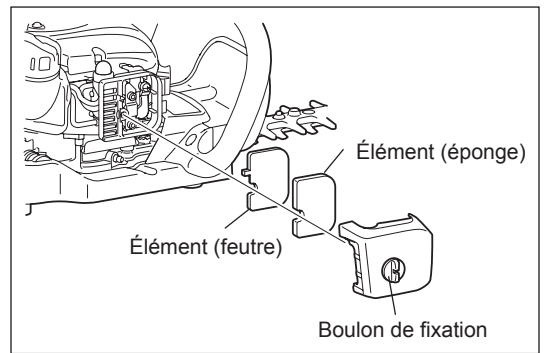
Nettoyage de l'épurateur d'air



DANGER : Substances inflammables strictement interdites

Vérifiez et nettoyez l'épurateur d'air quotidiennement ou toutes les 10 heures de fonctionnement.

- Tournez à fond le levier d'étrangleur vers le côté fermé et maintenez le carburateur à l'abri de la poussière ou de la saleté.
- Desserrez le boulon de fixation.
- Tirez le côté arrière du couvercle de l'épurateur d'air et déplacez-le vers l'avant pour le détacher.
- Si de l'huile adhère à l'élément (éponge), serrez-le fermement.
- En cas de contamination importante :
 - 1) Retirez l'élément (éponge), plongez-le dans de l'eau chaude ou dans un détergeant neutre dilué à l'eau, et faites-le entièrement sécher.
 - 2) Nettoyez l'élément (feutre) à l'essence, et séchez-le complètement.
- Avant de remettre les éléments, assurez-vous qu'il soit complètement sec. Un séchage insuffisant des éléments peut provoquer un démarrage difficile.
- Essuyez l'huile présente autour de l'épurateur d'air à l'aide d'un vieux chiffon.
- Immédiatement après avoir terminé le nettoyage, remettez en place le capot de l'épurateur et fixez-le à l'aide des boulons de fixation. (Lors du remontage, commencez par placer la griffe supérieure.)



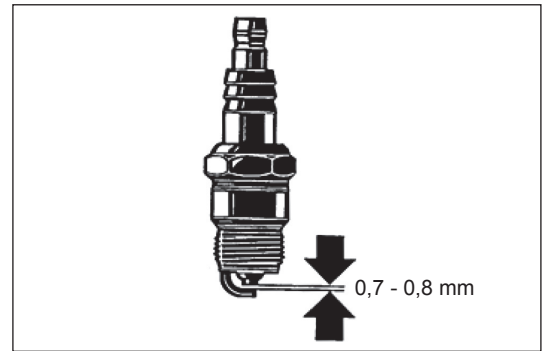
Remarques relatives à la manipulation des éléments de l'épurateur d'air

- Nettoyez les éléments plusieurs fois par jour en cas de poussière excessive.
- Si vous continuez à utiliser l'appareil alors que les éléments restants présentent encore de l'huile, il est possible que l'huile présente dans l'épurateur d'air soit expulsée à l'extérieur et contamine le terrain.

Vérification de la bougie

Vérifiez et nettoyez la bougie quotidiennement ou toutes les 8 heures de fonctionnement.

- N'utilisez que la clé universelle fournie pour enlever ou installer la bougie.
- La distance entre les deux électrodes de la bougie doit être comprise entre 0,7 et 0,8 mm. Si la distance est trop importante ou pas assez, modifiez-la. Si la bougie est bouchée par du carbone ou encrassée, nettoyez-la complètement ou remplacez-la. Utilisez une bougie de rechange strictement identique.



Insertion de graisse et de lubrifiant

- Insérez la graisse à dans le raccord de graissage toutes les 50 heures de fonctionnement. (Shell Alvania n° 3 ou équivalente)

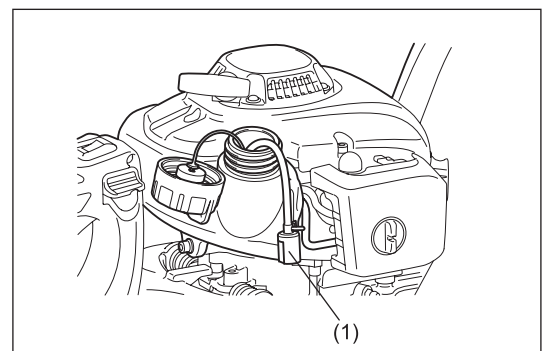
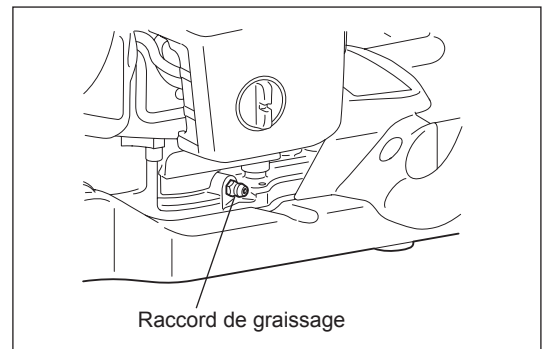
REMARQUE : Veillez à respecter la durée et la quantité de graisse spécifiées. Dans le cas contraire, l'insertion d'une quantité insuffisante de graisse entraînera des problèmes au niveau de l'appareil.

Nettoyage du filtre à essence (crépine d'aspiration dans le réservoir d'essence)

AVERTISSEMENT : Substances inflammables strictement interdites

Vérifiez et nettoyez le filtre à essence tous les mois ou toutes les 50 heures de fonctionnement.

- Le filtre en feutre (1) de la crépine d'aspiration est utilisé pour filtrer le carburant requis par le carburateur.
- Vérifiez visuellement le filtre en feutre de manière régulière.
- Pour inspecter le filtre en feutre, dévissez le bouchon du réservoir, utilisez un crochet à fil et retirez la crépine d'aspiration à travers l'orifice du réservoir. Remplacez le filtre en feutre s'il a durci, est contaminé ou bouché.
- Remplacez le filtre en feutre au moins tous les trimestres afin de garantir une alimentation suffisante en essence vers le carburateur. Dans le cas contraire, l'insertion d'une quantité insuffisante d'essence perturbera le démarrage du moteur et ne permettra pas d'atteindre la vitesse maximale.



Remplacement du tuyau d'alimentation

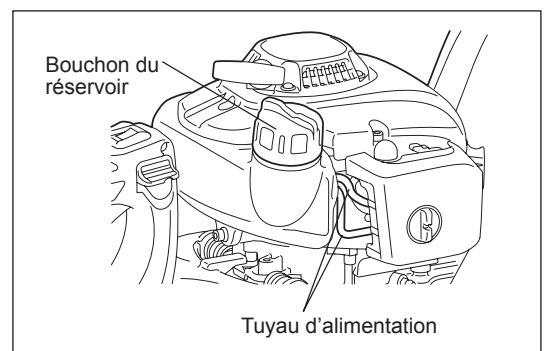
ATTENTION : Substances inflammables strictement interdites

Vérifiez et nettoyez le tuyau d'alimentation quotidiennement ou toutes les 10 heures de fonctionnement.

Remplacez le tuyau d'alimentation toutes les 200 heures de fonctionnement ou tous les ans, quelle que soit la fréquence d'utilisation. Dans le cas contraire, une fuite d'essence peut provoquer un incendie. Si vous détectez une fuite pendant une inspection, remplacez immédiatement le tuyau d'huile.

Remplacement du bouchon du réservoir

- En cas de défaut ou de dommages du bouchon du réservoir, remplacez-le.
- Au fil du temps, le bouchon du réservoir s'use. Remplacez-le tous les deux ou trois ans.



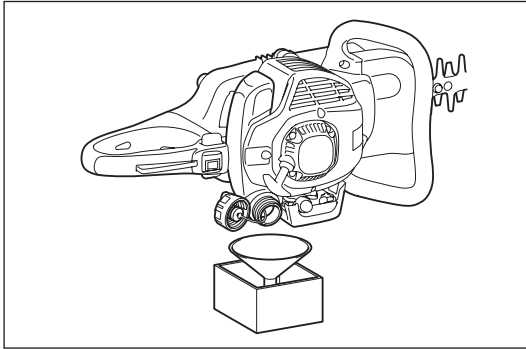
Pour toute opération d'entretien ou de réglage non décrite dans le présent manuel, contactez votre centre d'entretien agréé Makita le plus proche.

Vérification et entretien journaliers

Afin d'assurer une longue durée de vie et éviter d'endommager le matériel, effectuez régulièrement les opérations d'entretien suivantes.

- Avant utilisation :
 - Vérifiez qu'il ne manque aucune pièce et que les vis sont bien serrées. Veillez particulièrement à bien serrer les vis de la lame de coupe.
 - Vérifiez toujours que le passage de l'air de refroidissement et les ailettes du cylindre ne sont pas bouchés. Au besoin, nettoyez-les.
 - Nettoyez et vérifiez que le réservoir d'essence ne présente aucune fuite de carburant et ne contient aucun corps étranger.
- Après utilisation :
 - Nettoyez l'extérieur du taille-haie et vérifiez qu'il n'est pas endommagé.
 - Nettoyez le filtre à air. Nettoyez le filtre plusieurs fois par jour lorsque vous travaillez dans des conditions très poussiéreuses.
 - Vérifiez que les lames ne sont pas endommagées et qu'elles sont solidement fixées.

ENTREPOSAGE



- Si vous entreposez l'appareil pendant une durée prolongée, purgez l'essence située dans le réservoir d'essence et le carburateur comme suit : purgez l'ensemble de l'essence située dans le réservoir.
- Démontez la bougie et ajoutez quelques gouttes d'huile dans l'orifice de la bougie. Ensuite, tirez doucement le démarreur pour vérifier qu'un film d'huile recouvre l'intérieur du moteur, puis serrez la bougie.
- Retirez la saleté ou la poussière présente sur la lame de coupe et à l'extérieur du moteur, essuyez-la à l'aide d'un chiffon imbibé d'huile et placez l'appareil dans un lieu très sec.

PROGRAMME D'ENTRETIEN

Après chaque plein	Levier d'accélération Interrupteur I-O	Vérifiez le fonctionnement Vérifiez le fonctionnement
Avant chaque utilisation	Montage du moteur, vis et écrous Filtre à air Conduite d'air de refroidissement Dispositif de coupe Ralentis Réservoir d'essence	Examinez visuellement à la recherche de dommages et pour vérifier l'étanchéité Vérifiez l'état général et la sécurité Nettoyez Nettoyez Vérifiez l'absence de dommage et l'affûtage Inspection (le dispositif de coupe ne doit pas bouger) Vérifiez et nettoyez
Toutes les 50 heures	Boîte d'engrenage	Insérez de la graisse
Toutes les semaines	Bougie d'allumage	Vérifiez et remplacez au besoin
Tous les ans	Tuyau d'alimentation	Remplacez
Deux fois par an	Bouchon du réservoir	Remplacez
Avant de ranger l'outil pendant une longue période	Réservoir d'essence Carburateur Tête d'aspiration	Videz et nettoyez Utilisez jusqu'à ce que le moteur tombe en panne d'essence Remplacez

RÉSOLUTION DE PANNES

Panne	Système	Observation	Cause
Le moteur ne démarre pas, ou avec difficultés	Système d'allumage	Étincelle d'allumage présente	Panne de l'alimentation en carburant ou du système de compression, panne mécanique
		Pas d'allumage	Interrupteur I-O commandé, panne de câblage ou de court-circuit, bougie ou connecteur défectueux, module d'allumage défectueux
	Alimentation en carburant	Réservoir rempli de carburant	Position incorrecte de l'étrangleur, carburateur défectueux, tête d'aspiration (filtre de la conduite de gaz) sale, tuyau d'alimentation en carburant plié ou interrompu
	Compression	À l'intérieur du moteur	Joint inférieur du cylindre défectueux, joints du vilebrequin endommagés, cylindre ou segments de piston défectueux
		À l'extérieur du moteur	Mauvaise étanchéité de la bougie
Panne mécanique	Le démarreur ne s'enclenche pas	Ressort du démarreur cassé, pièces cassées à l'intérieur du moteur	
Problèmes de démarrage à chaud		Réservoir plein, bougie d'allumage en place	Carburateur contaminé, nettoyez-le
Le moteur démarre mais s'éteint immédiatement	Alimentation en carburant	Réservoir rempli	Réglage incorrect du ralenti, tête d'aspiration ou carburateur contaminé(e)
			Évent du réservoir de carburant défectueux, tuyau d'alimentation en carburant interrompue, câble ou interrupteur I-O défectueux
Performances insuffisantes	Plusieurs systèmes peuvent être simultanément affectés	Le moteur tourne au ralenti	Filtre à air contaminé, carburateur contaminé, silencieux bouché, conduit d'échappement dans le cylindre bouché

Vielen Dank, dass Sie sich für die MAKITA Heckenschere entschieden haben. Wir freuen uns, Ihnen die MAKITA Heckenschere anbieten zu können; diese Erzeugnisse sind das Ergebnis eines langen Entwicklungsprogramms und vieler Jahre an Erkenntnissen und Erfahrungen.

Die Heckenscheren der Modelle EH5000W, EH6000W und EH7500W stellen eine Kombination aus der Überlegenheit hochmoderner Technik und einem ergonomischen Design dar; sie sind von geringem Gewicht und kompakt und kommen als Profi-Werkzeuge in einer breiten Palette an Anwendungen zum Einsatz.

Lesen Sie diese Broschüre mit detaillierten Informationen zu den verschiedenen Punkten, in denen die herausragende Leistungsfähigkeit dieser Werkzeuge demonstriert wird, aufmerksam durch. Achten Sie darauf, dass Sie die Inhalte dieser Broschüre sicher beherrschen und halten Sie die gegebenen Ratschläge und Anweisungen ein. Dadurch können Sie sicher mit dem Werkzeug umgehen und die bestmöglichen Ergebnisse mit Ihrer MAKITA Heckenschere erzielen.



Inhaltsverzeichnis	Seite
Symbole.....	31
Sicherheitsregeln.....	32
Technische Daten.....	35
Bezeichnung der Bauteile.....	36
Kraftstoff/Betankung.....	37
Sicherheitsmassnahmen vor dem Arbeiten.....	38
Starten des Werkzeugs.....	39
Stoppen des Werkzeugs.....	39
Handhabung des Werkzeugs.....	40
Einstellen des Winkels des hinteren Griffs.....	40
Wartungsanweisungen.....	41
Aufbewahrung.....	44
Wartungsplan.....	44
Problembeseitigung.....	44

SYMBOLE

Machen Sie sich vor dem Lesen dieser Anleitung unbedingt mit der Bedeutung der folgenden Symbole vertraut:

	WARNUNG/GEFAHR		Kraftstoff-Öl-Gemisch
	Lesen, Verstehen und Einhalten Betriebsanleitung		Manueller Motorstart
	Verboten		Not-Aus
	Rauchen verboten!		Erste Hilfe
	Umgang mit offenen Flammen verboten!		Recycling
	Tragen Sie Schutzhandschuhe!		EIN/START
	Im Arbeitsbereich dürfen sich weder Personen noch Tiere aufhalten!		AUS/STOPP
	Tragen Sie Augen- und Gehörschutz!		CE-Kennzeichen

SICHERHEITSREGELN

Allgemeine Sicherheitsregeln

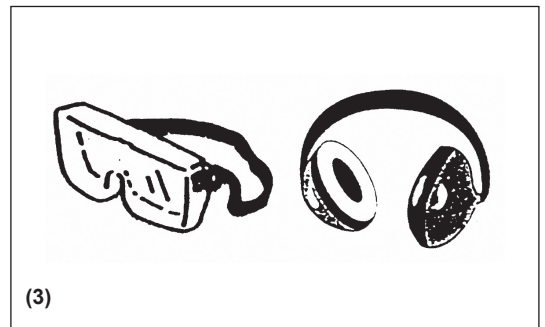
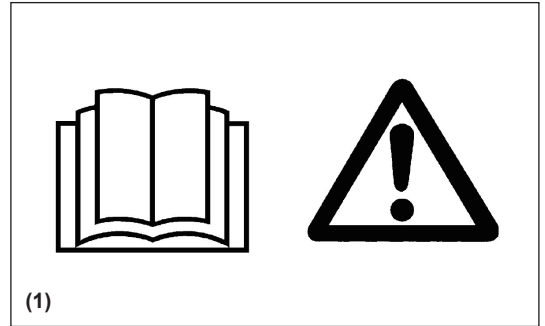
- DIESES WERKZEUG KANN SCHWERE VERLETZUNGEN VERURSACHEN! Lesen Sie sämtliche Anleitungen sorgfältig, damit Sie das Werkzeug ordnungsgemäß handhaben, vorbereiten, pflegen und warten, starten und stoppen können. Machen Sie sich mit der Bedienung und der ordnungsgemäßen Verwendung des Werkzeugs vertraut. (1)
- Es wird empfohlen, die Heckenschere nur an solche Personen zu verleihen, die über Erfahrungen im Umgang mit Heckenscheren verfügen. Überreichen Sie mit dem Werkzeug stets auch die Betriebsanleitung.
- Erstanwender sollten den Händler nach grundlegenden Anleitungen fragen, um sich mit dem Umgang mit einer Heckenschere vertraut zu machen.
- Kindern und Jugendlichen unter 18 Jahren ist das Bedienen der Heckenschere untersagt. Personen über 16 Jahren dürfen das Werkzeug für Übungszwecke verwenden, jedoch nur unter Aufsicht eines qualifizierten Anleiters.
- Verwenden Sie die Heckenschere mit äußerster Vorsicht und Aufmerksamkeit.
- Betreiben Sie die Heckenschere nur, wenn Sie sich in gesunder physischer Verfassung befinden. Führen Sie alle Arbeiten ruhig und mit Vorsicht aus. Die Bedienperson ist gegenüber Dritten haftbar.
- Benutzen Sie die Heckenschere niemals, wenn Sie unter dem Einfluss von Alkohol und/oder Medikamenten stehen, oder wenn Sie sich abgespannt oder krank fühlen. (2)

Verwendungszweck des Werkzeugs

- Die Heckenschere ist ausschließlich für das Stutzen und Zurückschneiden von Buschwerk und Hecken vorgesehen; die Verwendung für einen anderen Zweck ist nicht zulässig. Verwenden Sie die Heckenschere niemals zweckentfremdet.

Persönliche Schutzausrüstung

- Tragen Sie zweckmäßige und geeignete Kleidung, d.h. die Kleidung sollte am Körper anliegen, ohne Behinderungen zu verursachen. Das Tragen von Schmuck oder zu weiter Kleidung, der bzw. die sich in Büschen oder Gestrüpp oder im Werkzeug verfangen können, ist nicht zulässig.
- Um Verletzungen an Augen, Händen und Füßen zu vermeiden, aber auch um das Gehör des Bedieners zu schützen, ist während der Arbeiten mit der Heckenschere die im Folgenden aufgeführte Schutzausrüstungen/ Schutzkleidungen tragen.
- Tragen Sie während der Arbeit mit der Heckenschere eine Schutzbrille oder ein Visier, um Verletzungen der Augen zu vermeiden. (3)
- Tragen Sie einen ausreichenden Gehörschutz, um eine Schädigung des Gehörs zu vermeiden (Gehörschutzkapseln, Gehörschutzstöpsel usw.). (3)
- Wir empfehlen dem Bediener dringend das Tragen eines Arbeitsoveralls. (4)
- Spezialhandschuhe aus dickem Leder sind Bestandteil der vorgeschriebenen Ausrüstung und müssen beim Arbeiten mit der Heckenschere unbedingt getragen werden. (4)
- Tragen Sie beim Arbeiten mit der Heckenschere stets feste Schuhe mit einer rutschfesten Sohle. Derartige Schuhe schützen vor Verletzungen und geben einen sicheren Halt. (4)



Starten der Heckenschere

- Sorgen Sie dafür, dass sich in einem Arbeitsbereich von 15 m (5) keine Kinder oder andere Personen aufhalten, achten Sie außerdem auf Tiere im Arbeitsbereich.
- Prüfen Sie die Heckenschere vor jedem Betrieb auf Betriebssicherheit.
- Überprüfen Sie den Gashebel auf ordnungsgemäße Funktion. Stellen Sie sicher, dass sich der Gashebel gleichmäßig und leicht bewegen lässt. Überprüfen Sie die Gashebelarretierung auf ordnungsgemäße Funktion. Stellen Sie sicher, dass die Griffe sauber und trocken sind, und überprüfen Sie den E/A-Schalter auf ordnungsgemäße Funktion. Halten Sie Griffe frei von Öl und Kraftstoff.

Starten Sie die Heckenschere ausschließlich wie in der Betriebsanleitung vorgegeben.

Starten Sie den Motor auf keine andere Weise (6)!

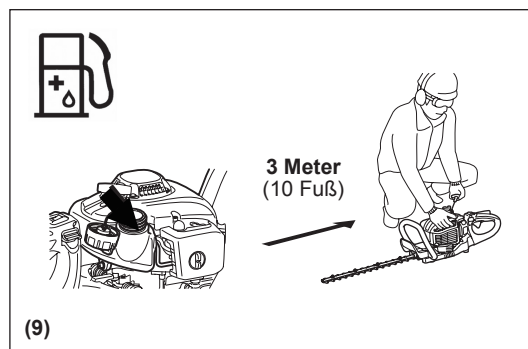
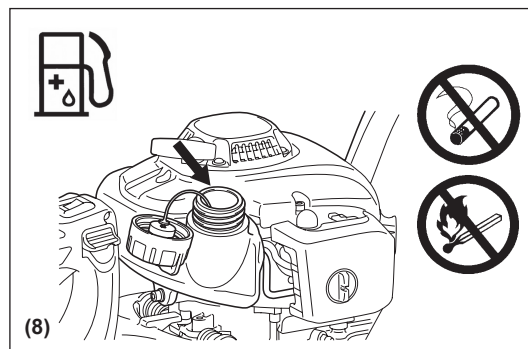
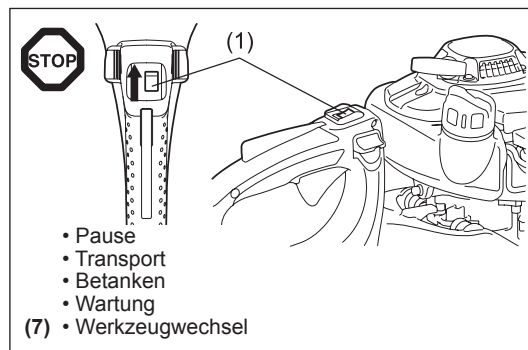
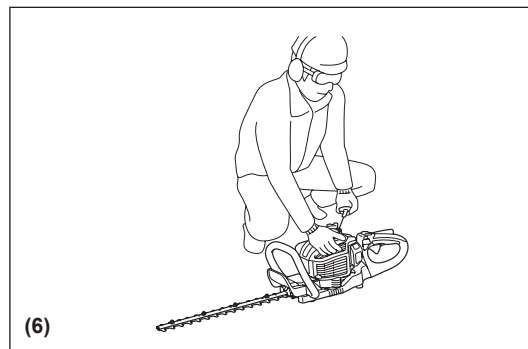
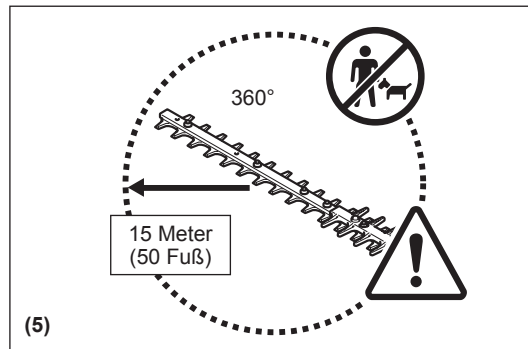
- Verwenden Sie die Heckenschere ausschließlich für den vorgegebenen Zweck.
- Starten Sie den Motor der Heckenschere nur dann, wenn die Heckenschere vollständig zusammengebaut ist. Der Betrieb der Heckenschere ist nur gestattet, wenn sämtliches für den Betrieb der Heckenschere vorgeschriebene Zubehör angebracht ist!
- Stellen Sie vor dem Starten der Heckenschere sicher, dass das Schwert keinerlei Gegenstände wie z. B. Äste, Steine usw. berührt.
- Stoppen Sie den Motor unverzüglich, falls Probleme mit dem Motor auftreten.
- Halten Sie während des Betriebs die Heckenschere sowohl am vorderen als auch am hinteren Griff fest, indem Sie Ihre Finger um die Griffe legen. Achten Sie darauf, dass die Griffe sauber und frei von Feuchtigkeit, Öl und Schmiermittel sind.

Sorgen Sie immer für einen sicheren, ausbalancierten Stand.

- Dieses Werkzeug darf nur im Freien verwendet werden.
- Achten Sie stets auf das Arbeitsumfeld und seien Sie auf mögliche Gefahrensituationen vorbereitet, die Ihnen aufgrund der Lärmentwicklung des Motors entgehen könnten.
- Betreiben Sie die Heckenschere stets so, dass Sie die Abgase nicht einatmen. Betreiben Sie den Motor niemals in geschlossenen Räumen (Gefahr der Erstickung und einer Gasvergiftung). Kohlenmonoxid ist ein geruchloses Gas. Sorgen Sie dafür, dass zu jeder Zeit eine ausreichende Belüftung gegeben ist.
- Stoppen Sie den Motor, wenn Sie eine Pause machen oder wenn Sie die Heckenschere unbeaufsichtigt lassen. Legen Sie die Heckenschere an einem sicheren Ort in einer sicheren Lage ab, in der eine Gefährdung von Personen oder ein Entzünden brennbarer Stoffe und Schäden am Werkzeug ausgeschlossen sind.
- Legen Sie die heiße Heckenschere niemals auf trockenem Gras oder auf sonstigen brennbaren Materialien ab.
- Halten Sie den Motor und den Schalldämpfer stets frei von Schnittabfällen, Blättern und übermäßigem Schmierstoff, um die Gefahr eines Brandes zu vermeiden.
- Betreiben Sie den Motor niemals mit beschädigtem Auspuffschalldämpfer.
- Stoppen Sie den Motor vor einem Transport. (7)
- Stoppen Sie den Motor vor den folgenden Tätigkeiten:
 - Beheben einer Blockade,
 - Ausführen von Überprüfungen, Wartungsarbeiten oder sonstigen Arbeiten am Werkzeug.
- Legen Sie die Heckenschere bei Transport in einem Kraftfahrzeug in einer sicheren Position ab, damit ein Auslaufen von Kraftstoff vermieden wird.
- Stellen Sie vor dem Transport der Heckenschere sicher, dass der Kraftstofftank vollständig geleert ist, damit ein Auslaufen von Kraftstoff vermieden wird.
- Ziehen Sie vor Transport oder Lagerung immer den Schutz auf das Schneidenschwert.

Betanken

- Stoppen Sie vor dem Betanken den Motor (7), halten Sie einen ausreichenden Abstand von offenen Flammen (8) und rauchen Sie nicht.
- Betanken Sie das Werkzeug niemals bei laufendem oder mit heißem Motor.
- Vermeiden Sie Hautkontakt mit Mineralölprodukten. Atmen Sie die Kraftstoffdämpfe nicht ein. Tragen Sie zum Betanken immer Schutzhandschuhe. Wechseln und reinigen Sie Schutzkleidung regelmäßig.
- Stellen Sie zur Vermeidung einer Kontaminierung des Erdbodens (Umweltschutz) sicher, dass kein Kraftstoff und kein Öl in das Erdreich eindringt. Wischen Sie verschütteten Kraftstoff unverzüglich von der Heckenschere ab. Lassen Sie Textilien, mit denen Sie Kraftstoff aufgewischt haben, an einem gut belüfteten Ort trocknen, bevor Sie diese Textilien entsorgen. Anderenfalls kann es zu einer plötzlichen Selbstentzündung kommen.
- Achten Sie darauf, dass Ihre Kleidung nicht in Kontakt mit Kraftstoff kommt. Wenn Kraftstoff auf Ihre Kleidung gelangt ist, wechseln Sie die Kleidung sofort (Gefahr!).
- Überprüfen Sie den Deckel des Kraftstofftanks regelmäßig auf ordnungsgemäßen Sitz.
- Schrauben Sie den Tankdeckel ordnungsgemäß fest. Entfernen Sie sich mindestens 3 m vom Ort des Betankens, bevor Sie den Motor starten. (9)
- Betanken Sie das Werkzeug niemals in geschlossenen Räumen. Auf dem Fußboden kann es zu einer Ansammlung von Kraftstoffdämpfen und dadurch zu einer Verpuffung oder gar Explosion kommen.
- Transportieren und lagern Sie Kraftstoffe ausschließlich in dafür zugelassenen Behältern. Stellen Sie sicher, dass Kinder keinen Zugang zu gelagertem Kraftstoff haben.
- Verwenden Sie zum Herstellen eines Gemischs aus Vergaserkraftstoff und Zweitaktöl nur Vergaserkraftstoffe, in denen kein Ethanol und kein Methanol (Alkohole) enthalten sind. Ethanol und Methanol können Schäden an Kraftstoffleitungen und anderen Motorteilen verursachen.



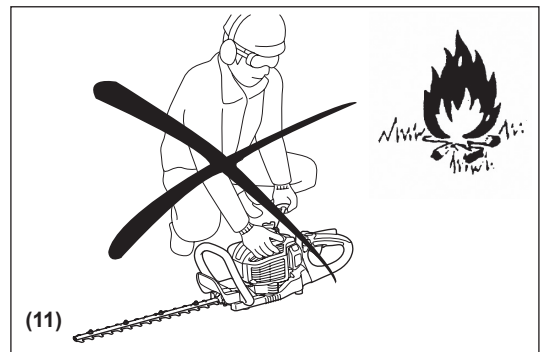
Handhabung

- Halten Sie das Werkzeug während der Arbeiten immer mit beiden Händen, eine Hand an jeweils einem der Griffe.
- Verwenden Sie die Heckenschere nur bei guten Licht- und Sichtverhältnissen. Achten Sie in der kalten Jahreszeit auf rutschige oder nasse Bereiche, z.B. auf vereiste oder schneebedeckte Flächen (Rutschgefahr). Sorgen Sie immer für einen sicheren Stand.
- Arbeiten Sie niemals auf nicht stabilen oder abschüssigen Standflächen.
- Betreiben Sie die Heckenschere niemals auf einer Leiter stehend.
- Klettern Sie niemals auf Bäume, um mit der Heckenschere zu schneiden.
- Bewegen Sie sich beim Arbeiten mit dem Werkzeug niemals rückwärts, um ein Stolpern und Verlust der Kontrolle zu vermeiden.
- Stoppen Sie immer den Motor, bevor Sie das Werkzeug reinigen oder warten oder Teile am Werkzeug wechseln.
- Betreiben Sie das Werkzeug nicht, wenn das Schneidwerkzeug beschädigt oder stark verschlissen ist.



Wartungsanweisungen

- Nehmen Sie Rücksicht auf die Umwelt und auf Ihre Nachbarn. Versuchen Sie immer, die Heckenschere mit kleinstmöglichen Lärm- und Schadstoffemissionen zu betreiben. Überprüfen Sie vor allem, ob der Vergaser ordnungsgemäß eingestellt ist.
- Reinigen Sie die Heckenschere regelmäßig und überprüfen Sie, ob alle Schrauben und Muttern fest angezogen sind.
- Warten oder lagern Sie die Heckenschere niemals in der Nähe offener Flammen, von Funken usw. (11).
- Leeren Sie den Kraftstofftank, bevor Sie die Heckenschere einlagern.
- Warten oder lagern Sie die Heckenschere niemals in der Nähe von offenen Flammen, von Funken usw. Brandgefahr!
- Lagern Sie die Heckenschere an einem gut belüfteten Ort. Der Lagerplatz muss hoch genug oder verschließbar sein, damit Kinder nicht an die Heckenschere gelangen können.
- Nehmen Sie nur Reparaturen am Werkzeug vor, für die Sie ausreichend qualifiziert sind.



Halten Sie alle von den zuständigen Berufsgenossenschaften und Behörden erlassenen und von Versicherungsgesellschaften empfohlenen Maßnahmen zur Unfallverhütung ein.

Nehmen Sie keinerlei technische Veränderungen an der Heckenschere vor, da dies Ihre Sicherheit gefährden würde.

Der Bediener darf ausschließlich die in dieser Betriebsanleitung beschriebenen Wartungs- und Reparaturarbeiten durchführen. Alle anderen Arbeiten müssen von autorisiertem Wartungspersonal durchgeführt werden.

Verwenden Sie ausschließlich Original-Ersatzteile und Original-Zubehörteile, die Sie über durch MAKITA autorisierte Servicecenter bezogen haben.

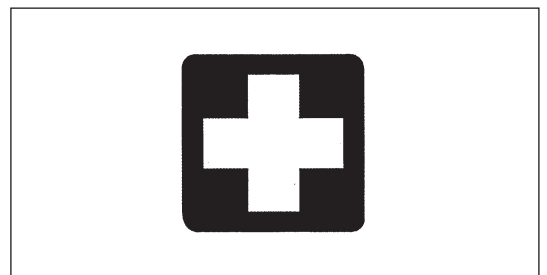
Die Verwendung nicht genehmigter Zubehörteile und Werkzeuge führt zu einer erhöhten Gefahr von Unfällen und Verletzungen. Für Personen- und/oder Sachschäden, die durch die Verwendung nicht genehmigter Ersatz- und/oder Zubehörteile verursacht wurden, übernimmt MAKITA keine Haftung.

Erste Hilfe

Stellen Sie für den Fall eines Unfalls sicher, dass in der Nähe des Arbeitsortes ein ordnungsgemäß befüllter Erste-Hilfe-Kasten entsprechend DIN 13164 verfügbar ist. Füllen Sie sämtliche aus dem Erste-Hilfe-Kasten entnommenen Materialien unverzüglich auf.

Machen Sie folgende Angaben, wenn Sie Hilfe benötigen:

- Ort des Unfalls
- Was ist passiert
- Anzahl der verletzten Personen
- Schwere der Verletzungen
- Ihr Name



Verpackung

Um Schäden während des Versands zu vermeiden, wird die MAKITA Heckenschere in einem Pappkarton geliefert. Karton ist ein Grundrohstoff und wird daher wiederverwendet oder recycelt (Recycling von Altpapier).



EG-KONFORMITÄTSERKLÄRUNG

Wir, Makita Corporation als verantwortlicher Hersteller, erklären, dass die folgenden Geräte der Marke Makita:

Bezeichnung des Geräts: Benzin-Heckenschere
 Nummer / Typ des Modells: EH5000W, EH6000W, EH7500W
 Technische Daten: siehe unter „TECHNISCHE DATEN“

in Serienfertigung hergestellt werden und

den folgenden Richtlinien der Europäischen Union genügen:

2000/14/EG, 2006/42/EG

Außerdem werden die Geräte gemäß den folgenden Standards oder Normen gefertigt:

EN ISO 10517

Die technische Dokumentation erfolgt durch unseren Bevollmächtigten in Europa:

Makita International Europe Ltd.
 Michigan Drive, Tongwell, Milton Keynes, Bucks MK15 8JD, England

Das Verfahren zur Konformitätsbewertung, vorgesehen in 2000/14/EG, erfolgte in Übereinstimmung mit Anhang V.

Gemessener Schallleistungspegel: EH5000W 104,0 dB (A), EH6000W 104,2 dB (A), EH7500W 104,8 dB (A)

Garantierter Schallleistungspegel: Alle Modelle 106 dB (A)

1. 12. 2010

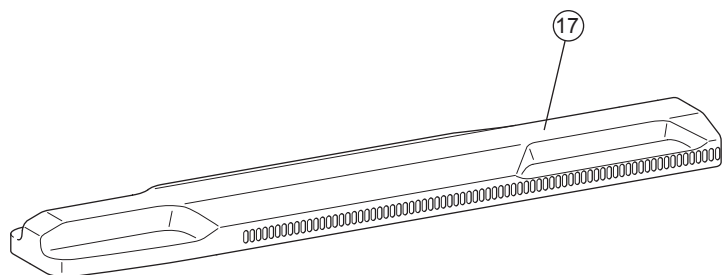
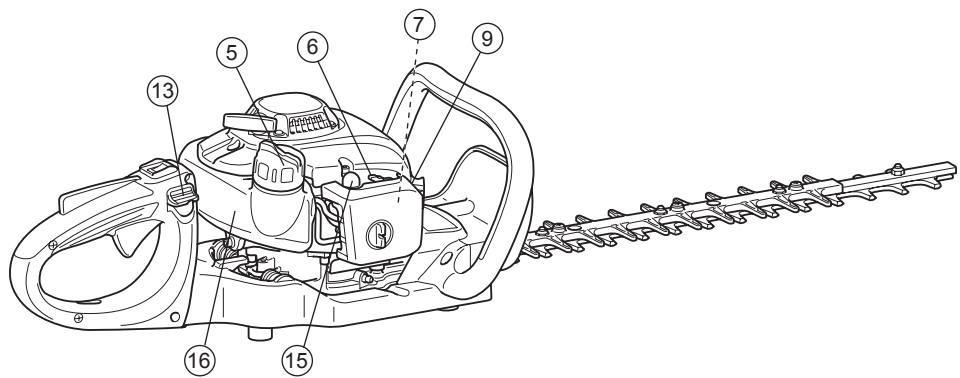
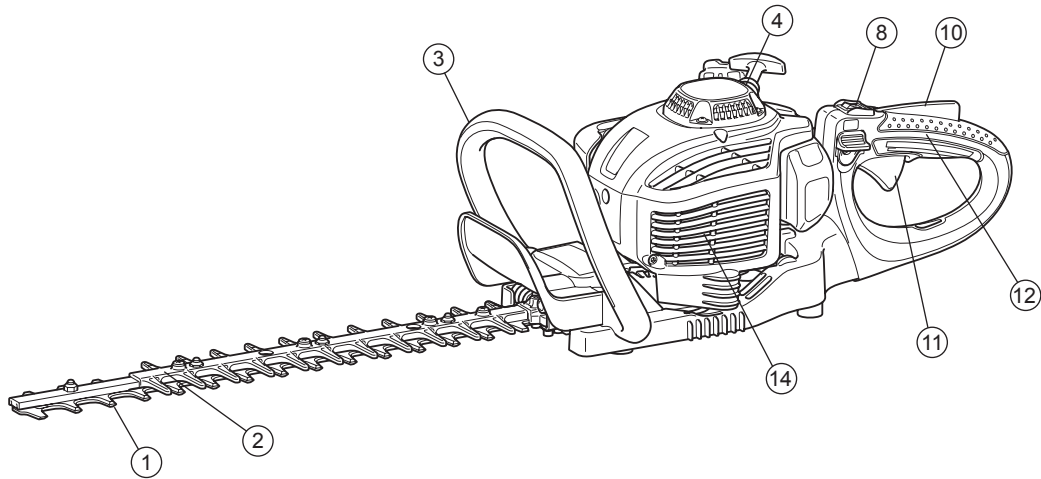


Tomoyasu Kato
 Direktor
 Makita Corporation
 3-11-8, Sumiyoshi-cho,
 Anjo, Aichi, 446-8502, JAPAN

TECHNISCHE DATEN

Modell		EH5000W	EH6000W	EH7500W		
Abmessungen (L x B x H)		mm	1.014 x 262 x 216	1.119 x 262 x 216	1.259 x 262 x 216	
Gewicht (ohne Schneidschwertschutz)		kg	4,8	5,0	5,2	
Volumen (Kraftstofftank)		L	0,4			
Hubraum Motor		cm ³	22,2			
Schnittlänge		mm	483	588	728	
Maximale Motorleistung		kW	0,68			
Maximale Geschwindigkeit des Messers		min ⁻¹	4.270			
Leerlaufdrehzahl		min ⁻¹	3.000			
Drehzahl für Kupplungseingriff		min ⁻¹	4.000			
Vergasertyp		Typ	WALBRO WYL			
Zündungssystem		Typ	Halbleiterzündung			
Zündkerze		Typ	NGK CMR6A			
Elektrodenabstand		mm	0,7 - 0,8			
Schwingungen nach EN ISO 10517	Rechter Griff	$a_{hv\ eq}$	m/s ²	2,5	2,7	2,3
		Abweichung K	m/s ²	1,3	1,1	1,6
	Linker Griff	$a_{hv\ eq}$	m/s ²	2,5	2,8	2,3
		Abweichung K	m/s ²	1,3	1,1	1,2
Geräusche gemäß EN ISO 10517	Schalldruckpegel		dB (A)	93,0	92,8	93,9
			Abweichung K	dB (A)	1,4	2,2
	Schallleistungspegel		dB (A)	103,0	103,2	103,8
			Abweichung K	dB (A)	2,1	1,5
Mischungsverhältnis (Kraftstoff: Motorenöl)		Originales Zwei-Takt- Motorenöl von MAKITA		50 : 1		
		Zwei-Takt-Motorenöl anderer Hersteller		25 : 1		
Übersetzung Getriebe				9 : 43		

BEZEICHNUNG DER BAUTEILE



	BEZEICHNUNG DER BAUTEILE		BEZEICHNUNG DER BAUTEILE		BEZEICHNUNG DER BAUTEILE
1	Schneidmesser	7	Vergaser (nicht dargestellt)	13	Entriegelungshebel hinterer Griff
2	Stillstehendes Schwert	8	E/A-Schalter (EIN/AUS)	14	Schalldämpfer
3	Vorderer Griff	9	Zündkerze	15	Anlasspumpe
4	Seilzugstarter	10	Entriegelungshebel	16	Kraftstofftank
5	Deckel Kraftstofftank	11	Gashebel	17	Schneidschwertschutz
6	Choke-Hebel	12	Hinterer Griff		

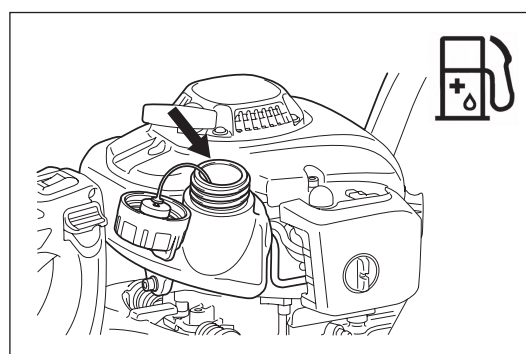
Kraftstoff-Öl-Gemisch

- Die Heckenschere wird von einem Zweitaktmotor mit hohem Leistungsgrad angetrieben.
Dieser Motor wird mit einem Gemisch aus Kraftstoff und Zweitaktöl betrieben. Der Motor ist für bleifreies Normalbenzin mit einer Oktanzahl ROZ 91 ausgelegt. Ist dieser Kraftstoff nicht verfügbar, können Sie einen Kraftstoff mit höherer Oktanzahl verwenden. Der Motor wird dadurch nicht beschädigt, das Betriebsverhalten kann sich jedoch verschlechtern.
Ähnliche Probleme treten bei der Verwendung von verbleitem Kraftstoff auf. Um einen optimalen Betrieb des Motors zu erreichen und um Ihre Gesundheit und die Umwelt zu schützen, sollte ausschließlich bleifreier Kraftstoff verwendet werden!
- Der Motor wird durch ein Zweitaktöl (Gütegrad: TSC-3) geschmiert, das dem Kraftstoff beigemischt wird.
Der Motor ist für den Betrieb mit dem MAKITA Zweitaktöl in einem Mischungsverhältnis von 50:1 (Umweltschutz) ausgelegt. Durch das magere Mischungsverhältnis kann eine minimale Schadstoffemission bei gleichzeitig langer Lebensdauer und zuverlässigem Betrieb garantiert werden. Das Mischungsverhältnis von 50:1 (MAKITA Zweitaktöl) ist unbedingt einzuhalten, anderenfalls kann der zuverlässige Betrieb der Heckenschere nicht garantiert werden.
- Das korrekte Mischungsverhältnis:
Vergaserkraftstoff: Vorgeschriebenes Zweitaktöl = 50 : 1 oder
Vergaserkraftstoff: Zweitaktöl eines anderen Herstellers = 25 : 1
empfohlen

HINWEIS: Zum Zubereiten des Gemischs mischen Sie, in einem zugelassenen Gefäß, das alle Vorgaben örtlich geltender Bestimmungen einhält oder übertrifft, erst die gesamte Menge an Öl mit der halben Menge des benötigten Kraftstoffs. Geben Sie anschließend die restliche Menge an Kraftstoff zu.
Mischen Sie das Gemisch gut durch, bevor Sie es in den Tank der Heckenschere einfüllen.
Geben Sie nicht mehr Motorenöl als angegeben hinzu, um einen sicheren Betrieb zu gewährleisten. Anderenfalls werden lediglich mehr Verbrennungsrückstände produziert, die Umwelt verschmutzt und der Abgaskanal sowie der Schalldämpfer verstopft. Außerdem steigt der Kraftstoffverbrauch, und die Leistung sinkt.

Umgang mit Mineralölprodukten

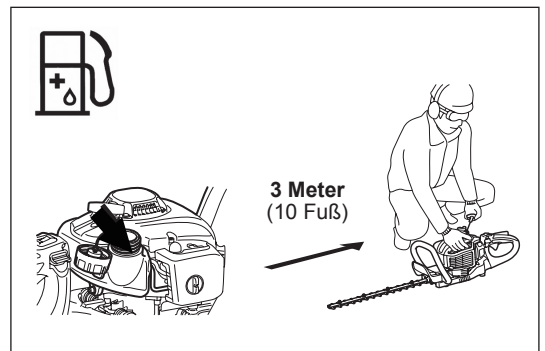
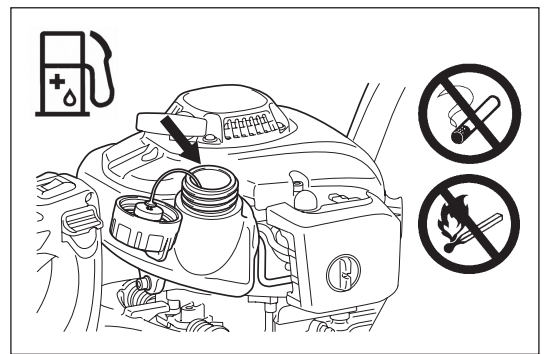
Beim Umgang mit Kraftstoffen ist äußerste Vorsicht geboten. Kraftstoffe können den Lösungsmitteln ähnliche Substanzen enthalten. Betanken Sie das Werkzeug ausschließlich an einem gut belüfteten Ort im Freien. Atmen Sie Kraftstoffdämpfe nicht ein, und vermeiden Sie jeglichen Kontakt von Kraftstoffen und Ölen mit der Haut.
Wenn Haut über längere Zeit wiederholt mit derartigen Substanzen in Kontakt kommt, trocknet die Haut aus.
Dies kann verschiedenste Hautkrankheiten zur Folge haben. Außerdem wurde von allergischen Reaktionen berichtet.
Wenn Öle, Kraftstoffe usw. in die Augen gelangen, können Augenirritationen auftreten.
Falls Öl, Kraftstoff usw. in die Augen gelangt, spülen Sie das betroffene Auge sofort mit klarem Wasser.
Falls die Augenirritationen anhalten, suchen Sie sofort einen Arzt auf!



Kraftstoff	+	Öl
	50:1	
		25:1
1.000 cm ³ (1 Liter)		20 cm ³ 40 cm ³
5.000 cm ³ (5 Liter)		100 cm ³ 200 cm ³
10.000 cm ³ (10 Liter)		200 cm ³ 400 cm ³

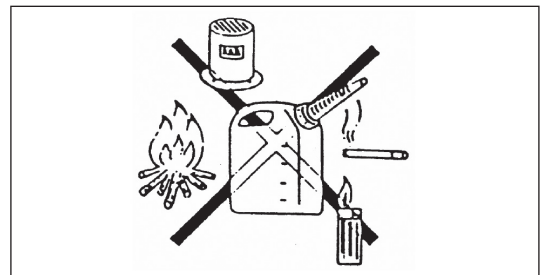
Betanken

- Der Motor muss ausgeschaltet sein.
- Schalten Sie den Motor aus, halten Sie den Motor von Flammen fern und rauchen Sie während des Betankens nicht.
- Stellen Sie zur Vermeidung einer Kontamination des Erdbodens sicher, dass kein Kraftstoff und kein Öl in das Erdreich eindringt. Wischen Sie verschütteten Kraftstoff unverzüglich von der Heckenschere ab.
- Verschütten Sie keinen Kraftstoff auf den Motor. Wischen Sie ggf. verschütteten Kraftstoff ab.
- Achten Sie darauf, dass Ihre Kleidung nicht in Kontakt mit Kraftstoff kommt. Falls Ihre Kleidung in Kontakt mit Kraftstoff kommt, wechseln Sie die Kleidung sofort (Brandgefahr!).
- Überprüfen Sie den Tankdeckel regelmäßig auf ordnungsgemäßen Sitz und auf Dichtheit.
- Schrauben Sie den Tankdeckel ordnungsgemäß fest. Entfernen Sie sich mindesten 3 m vom Ort des Betankens, bevor Sie den Motor starten.
- Betanken Sie das Werkzeug niemals in geschlossenen Räumen. Auf dem Fußboden kann es zu einer Ansammlung von Kraftstoffdämpfen und dadurch zu einer Verpuffung oder gar Explosion kommen.
- Transportieren und lagern Sie Kraftstoffe ausschließlich in dafür zugelassenen Behältern. Stellen Sie sicher, dass Kinder keinen Zugang zu gelagertem Kraftstoff haben.
- Reinigen Sie den Bereich um den Tankdeckel sorgfältig, damit kein Schmutz in den Kraftstofftank gelangt.
- Schrauben Sie den Deckel ab und füllen Sie den Tank mit Kraftstoff auf. Verwenden Sie zum Filtern des Kraftstoffs einen Trichter mit entsprechendem Filtereinsatz.
- Schrauben Sie den Tankdeckel von Hand wieder fest.
- Reinigen Sie nach dem Betanken den Bereich um Schraubdeckel und Tank.
- Wischen Sie verschütteten Kraftstoff unbedingt ab (Brandgefahr!).



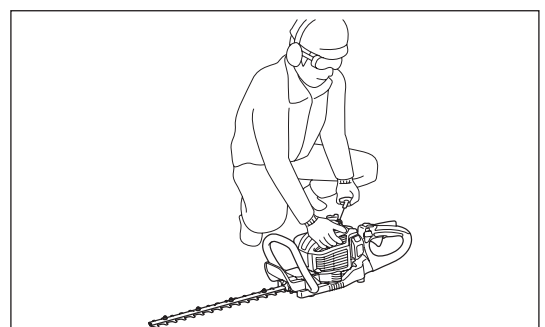
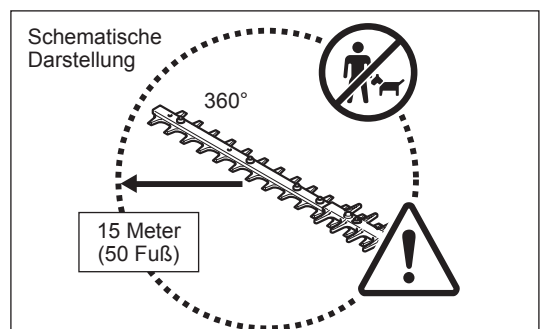
Aufbewahrung von Kraftstoffen

- Kraftstoffe können nicht zeitlich unbegrenzt gelagert werden.
- Kaufen Sie nur die Menge an Kraftstoff, die Sie in einem Zeitraum von 4 Wochen verbrauchen.
- Verwenden Sie ausschließlich zugelassene Kraftstoffbehälter.



SICHERHEITSMASSNAHMEN VOR DEM ARBEITEN



- Stellen Sie sicher, dass sich keine Personen in einem Arbeitsbereich von 15 Metern aufhalten. Dies gilt insbesondere für Kinder. Achten Sie auch auf Tiere im Arbeitsbereich.
- Überprüfen Sie die Heckenschere vor jeder Verwendung auf Betriebssicherheit: Überprüfen Sie das Schneidmesser auf Beschädigungen, den Gashebel auf einfache Betätigung und den E/A-Schalter auf ordnungsgemäße Funktion. Stellen Sie sicher, dass sich die Schneidmesser nicht bewegen, wenn der Motor im Leerlauf läuft. Wenden Sie sich bei Bedenken an Ihren Händler. Stellen Sie sicher, dass die Griffe sauber und trocken sind, und testen Sie die Funktion des E/A-Schalters.
- Starten Sie die Heckenschere ausschließlich wie in der Betriebsanleitung vorgegeben. Starten Sie den Motor auf keine andere Weise. (Siehe unter „Starten“.)
- Starten Sie den Motor nur, wenn die Heckenschere vollständig zusammengebaut ist. Das Starten des Motors ist nur zulässig, wenn alle vorgeschriebenen Zubehörteile an der Heckenschere angebracht sind. Anderenfalls besteht Verletzungsgefahr.
- Stellen Sie vor dem Starten sicher, dass das Schneidschwert keine Gegenstände wie z. B. Äste, Steine usw. berührt.
- Inspizieren Sie den Arbeitsbereich auf Drähte, Schnüre, Glas und sonstige Fremdkörper, die mit dem Schneidschwert in Berührung kommen könnten, bevor Sie mit der Heckenschere schneiden.
- Stromschlag: Achten Sie unbedingt auf alle Arten an Elektroleitungen und Elektrozaunen. Überprüfen Sie den gesamten Arbeitsbereich vor dem Schneiden auf Elektroleitungen und Elektrokabel.




STARTEN DES WERKZEUGS


Bewegen Sie sich mindestens 3 m von dem Platz des Betankens weg. Legen Sie die Heckenschere auf einem sauberen Untergrund ab. Achten Sie darauf, dass das Schneidschwert nicht in Kontakt mit dem Erdboden oder anderen Gegenständen kommt.

Kaltstart: (wenn der Motor kalt ist oder länger als 5 Minuten ausgeschaltet war und nach dem Betanken)

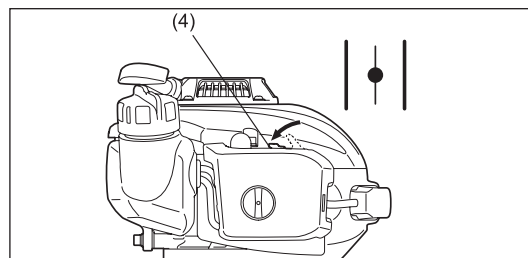
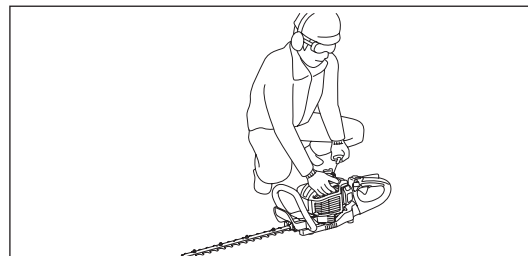
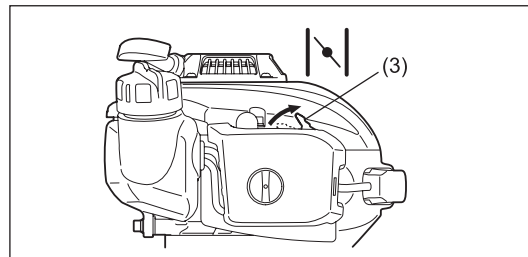
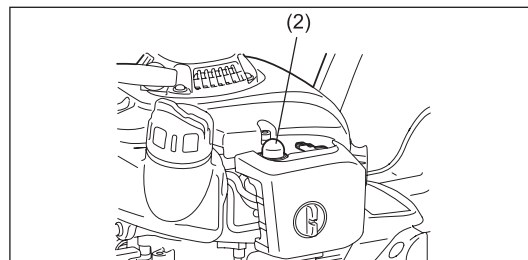
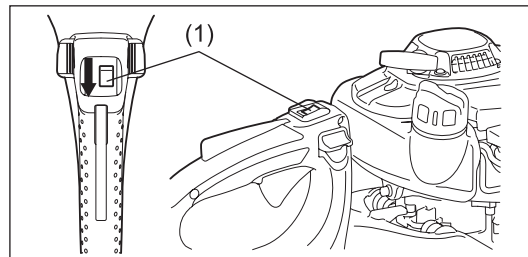
1. Stellen Sie den E/A-Schalter (1) auf „I“ (EIN).
2. Drücken Sie mehrmals (7 bis 10 Mal) leicht die Anlasspumpe (2), bis Kraftstoff in die Anlasspumpe gelangt.
3. Bringen Sie den Choke-Hebel (3) in die Position „“.
4. Halten Sie das Werkzeug mit festem Griff nach unten, damit Sie beim Starten des Motors mittels Seilzug nicht die Kontrolle verlieren. Bei Nichtbeachtung kann es zu einem Sturz oder zum Kontakt mit dem Schneidschwert und dadurch zu schweren Verletzungen, Sachschäden und/oder Beschädigungen des Werkzeugs kommen.
5. Ziehen Sie den Startergriff langsam um 10 bis 15 cm, bis Sie einen Widerstand fühlen.
6. Ziehen Sie kraftvoll am Startergriff. Dabei spüren Sie einen Widerstand, und der Motor startet.
7. Nachdem der Motor angesprungen ist oder anläuft und stoppt, bringen Sie den Choke-Hebel (4) wieder in die Position „“.
8. Lassen Sie den Motor für etwa eine Minute mit einer angemessenen Drehzahl laufen, bevor Sie Vollgas geben.

Hinweis:

- Wenn Sie den Startergriff wiederholt ziehen, und sich der Choke-Hebel dabei in der Position „“ befindet, springt der Motor aufgrund übermäßiger Kraftstoffansaugung nur schwer an.
- Falls zu viel Kraftstoff in den Motor gelangt ist, schrauben Sie die Zündkerze heraus und ziehen Sie langsam am Startergriff, damit der übermäßige Kraftstoff aus dem Motor austritt. Trocknen Sie außerdem die Elektroden der Zündkerze.

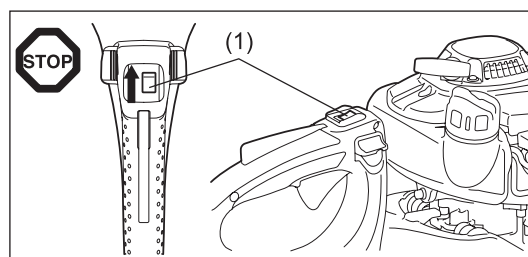
Warmstart: (Neustart direkt nach dem Stoppen des Motors) Um einen warmen Motor zu starten, versuchen Sie zuerst das oben erläuterte Verfahren: 1, 2, 4, 5, 6 mit dem Choke-Hebel (4) in Position „“. Wenn der Motor nicht anspringt, wiederholen Sie die oben angegebenen Schritte 1 bis 8.

Hinweis: Ziehen Sie das Starterseil nicht vollständig aus dem Seilzugstarter heraus. Achten Sie darauf, dass das Starterseil mit Startergriff nicht unkontrolliert aufgewickelt wird. Stellen Sie sicher, dass das Seil langsam aufgewickelt wird.



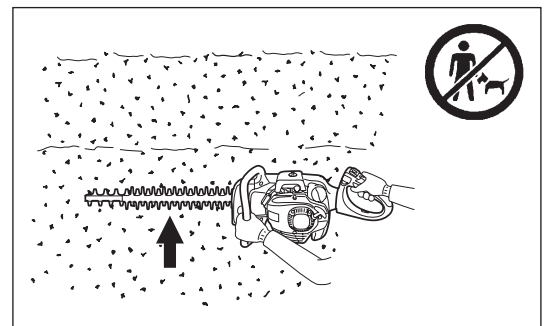
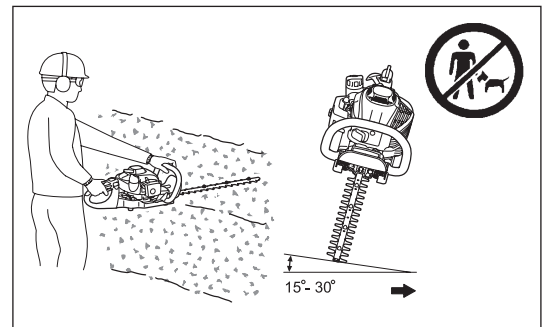
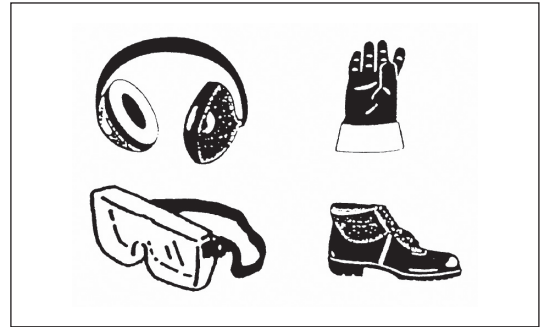
STOPPEN DES WERKZEUGS

1. Lassen Sie den Gashebel ganz los.
2. Stellen Sie den E/A-Schalter (1) auf „O“ (AUS). Der Motor tourt ab und stoppt.



HANDHABUNG DES WERKZEUGS

- Halten Sie die Heckenschere beim Arbeiten stets mit festem Griff.
- Vermeiden Sie beim Starten des Motors und während des Betriebs unbedingt jede Berührung mit dem Schneidschwert.
- Betreiben Sie die Heckenschere stets so, dass Sie keine Abgase einatmen. Betreiben Sie den Motor niemals in geschlossenen Räumen (Erstickungs- und Vergiftungsgefahr). Kohlenmonoxid ist ein geruchloses Gas.
- Während des Betriebs müssen alle mit dem Werkzeug gelieferten Schutzvorrichtungen wie beispielsweise Abdeckungen ordnungsgemäß am Werkzeug befestigt sein.
- Betreiben Sie den Motor niemals mit beschädigtem Schalldämpfer.
- Verwenden Sie die Heckenschere nur bei guten Licht- und Sichtverhältnissen.
- Achten Sie in der kalten Jahreszeit auf rutschige oder nasse Bereiche, Eis und Schnee (Rutschgefahr). Sorgen Sie immer für einen sicheren Stand.
- Betreiben Sie die Heckenschere niemals auf einer Leiter stehend. Sie müssen mit beiden Füßen auf dem Boden stehen.
- Klettern Sie niemals auf Bäume, um mit der Heckenschere zu schneiden.
- Arbeiten Sie niemals auf nicht stabilen Flächen.
- Entfernen Sie Sand, Steine, Nägel, Drähte usw. aus dem Arbeitsbereich. Fremdkörper können die Schneidmesser beschädigen.
- Schneiden Sie vor dem Schneiden der Hecke Äste von 8 mm oder dicker mit einer Astschere heraus.
- Vergewissern Sie sich vor Beginn des Schnitts, dass die Schneidmesser die volle Arbeitsgeschwindigkeit erreicht haben.
- Halten Sie die Heckenschere zu jeder Zeit ausschließlich an den Griffen und mit beiden Händen und mit festem Griff.
- Erfassen Sie das Werkzeug mit festem Griff, wobei die Finger die Griffe voll umfassen.
- Nach dem Loslassen des Gasgriffs vergeht eine kurze Zeit bis zum Anhalten der Schneidmesser.
- Betreiben Sie die Heckenschere nicht mit hoher Leerlaufdrehzahl. Bei einer zu hoch eingestellten Leerlaufdrehzahl können Sie die Geschwindigkeit der Schneidmesser nicht mehr mit dem Gasgriff regulieren.
- Halten Sie beim Schnittvorgang die Heckenschere so, dass das Schwert einen Winkel von 15° bis 30° mit der Schnittlinie bildet.
- Geben Sie beim Schneiden von Hecken in der Nähe oder an Drahtzäunen besondere Obacht.
- Achten Sie darauf, dass das Schneidschwert keine harten Objekte wie beispielsweise Drahtzäune, Steine oder den Boden berührt. Bei Berührung solcher Gegenstände können Schneidmesser bersten, reißen oder abbrechen.
- Sollte das Schneidschwert auf Steine oder andere harte Gegenstände treffen, schalten Sie sofort den Motor aus und überprüfen Sie das Schwert auf Beschädigungen. Ersetzen Sie ein beschädigtes Schneidmesser, bevor Sie die Arbeiten fortsetzen.
- Legen Sie regelmäßig Pausen ein. Makita empfiehlt, nach 50 Minuten Schnittarbeiten eine Pause von 10 bis 20 Minuten einzulegen.
- Falls Probleme mit dem Motor auftreten, schalten Sie den Motor sofort aus.
- Versuchen Sie immer, die Heckenschere mit einer kleinstmöglichen Lärm- und Schadstoffemission zu betreiben. Überprüfen Sie insbesondere den Vergaser auf korrekte Einstellung und halten Sie das vorgeschriebene Mischverhältnis von Kraftstoff und Öl ein.
- Versuchen Sie niemals, verklemmtes Material bei sich bewegenden Schneidmessern zu entfernen. Schalten Sie das Werkzeug aus, legen Sie es ab und entfernen Sie erst dann derartiges Material.

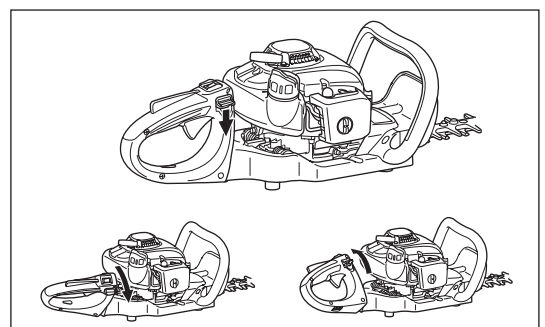


EINSTELLEN DES WINKELS DES HINTEREN GRIFFS

Der hintere Griff kann um bis zu 90° nach links bzw. nach rechts gedreht und bei jeweils 45° arretiert werden.
So verändern Sie den Winkel:

1. Drücken Sie den Entriegelungshebel, um die Griffverriegelung zu lösen.
2. Drehen Sie den Griff in den gewünschten Winkel von 0°, 45° oder 90°.
3. Stellen Sie sicher, dass der Entriegelungshebel in seine ursprüngliche Position zurückgekehrt und die Griffverriegelung eingerastet ist.

Betätigen Sie nicht den Gashebel, wenn die Griffverriegelung entriegelt ist.
Entriegeln Sie die Griffverriegelung nicht während der Schneidarbeiten.



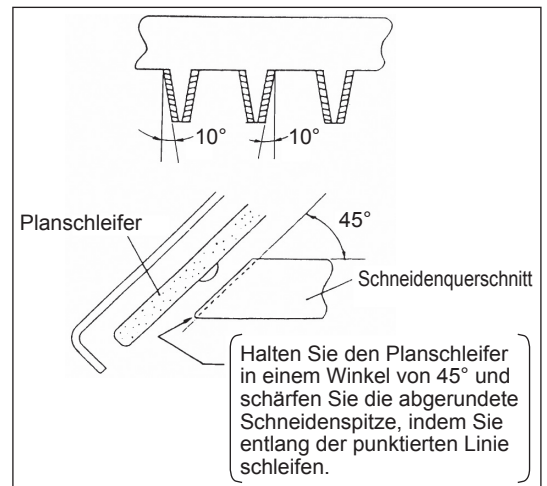
WARTUNGSANWEISUNGEN

- Stellen Sie den Motor aus und ziehen Sie den Kerzenstecker von der Zündkerze, bevor Sie das Schneidschwert reinigen/austauschen/schärfen oder sonstige Wartungsarbeiten ausführen.
- Begradigen oder schweißen Sie beschädigte Schneidwerkzeuge niemals.
- Überprüfen Sie bei ausgeschaltetem Motor das Schneidschwert regelmäßig auf Schäden.
- Achten Sie darauf, dass Schneidwerkzeuge immer ordnungsgemäß geschärft sind.
- Reinigen Sie die Heckenschere regelmäßig und überprüfen Sie, ob alle Schrauben und Muttern ordnungsgemäß angezogen sind.
- Führen Sie Wartungsarbeiten an der Heckenschere niemals in der Nähe von offenen Flammen, von Funken usw. aus. Brandgefahr!
- Die Messer sind scharf; tragen Sie daher beim Umgang mit den Messern und beim Schärfen der Messer stets Schutzhandschuhe.

Schärfen der Messer

Wenn die Schneiden abgerundet sind und nicht mehr gut schneiden, schleifen Sie die in der Abbildung schraffiert dargestellten Stellen der Schneiden. Schleifen Sie nicht an den Kontaktflächen (Gleitflächen) der oberen und unteren Schneiden.

- Schalten Sie den Motor aus, ziehen Sie den Zündkerzenstecker ab und stellen Sie sicher, dass das Schneidschwert und die Messer gesichert sind, bevor Sie die Schneiden schleifen.
- Tragen Sie Handschuhe, eine Schutzbrille usw.
- Schleifen Sie nicht zu viel Material ab. Dadurch würde die gehärtete Schicht entfernt, und die Messer werden bei Gebrauch recht schnell stumpf.



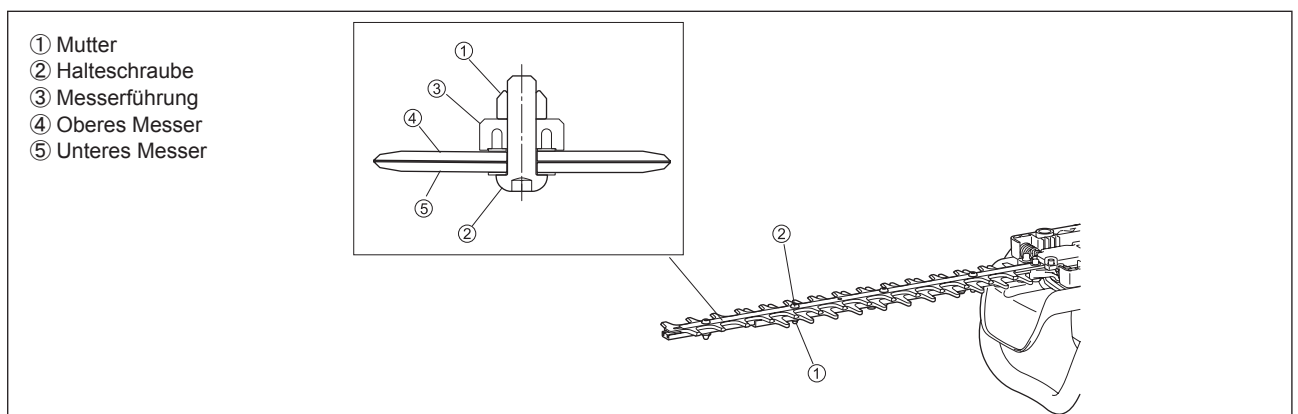
Nachstellen des Abstands zwischen oberen und unteren Messern

Die oberen/unteren Scheiden verschleifen. Wenn kein sauberer Schnitt gelingt, obwohl die Messer scharf genug sind, stellen Sie den Abstand zwischen den Messern wie folgt nach:

1. Lösen Sie die Schrauben, um das Schneidschwert vom Werkzeug abzunehmen.
2. Lösen Sie mit Hilfe eines Ring- oder Maulschlüssels die Mutter (1).
3. Ziehen Sie mit Hilfe eines Inbusschlüssels die Halteschraube (2) leicht nach, bis Sie einen Widerstand spüren, und lockern Sie die Halteschraube wieder um eine Vierteldrehung.
4. Halten Sie die Halteschraube (2) fest und ziehen Sie die Mutter (1) fest.
5. Bringen Sie auf die Kontaktflächen der Messer etwas dünnes Öl auf.
6. Starten Sie den Motor und betreiben Sie den Motor eine Minute lang, wobei Sie immer wieder Gas geben und wegnehmen.
7. Stoppen Sie die Zeit, die die Schneiden nachdem Loslassen des Gashebels bis zum Stillstand benötigen. Wenn dies zwei Sekunden oder länger dauert, stoppen Sie den Motor und wiederholen Sie die Schritte 2 bis 7.
8. Stoppen Sie den Motor und berühren Sie die Messeroberfläche. Wenn die Messer nicht zu heiß sind, um sie zu berühren, ist die Einstellung in Ordnung. Sind die Messer zu heiß zum Berühren, lösen Sie die Halteschraube (2) etwas und wiederholen Sie die Schritte 6 bis 8.
9. Befestigen Sie das Schneidschwert wieder mit Hilfe der Schrauben am Werkzeug.

HINWEIS: Stoppen Sie den Motor und achten Sie darauf, dass die Schneidmesser vollständig angehalten sind, bevor Sie Einstellungen vornehmen.

In den Messern befinden sich in der Nähe von Schraube (2) Schlitz. Falls diese Schlitz mit Staub verstopft sind, reinigen Sie die Schlitz.



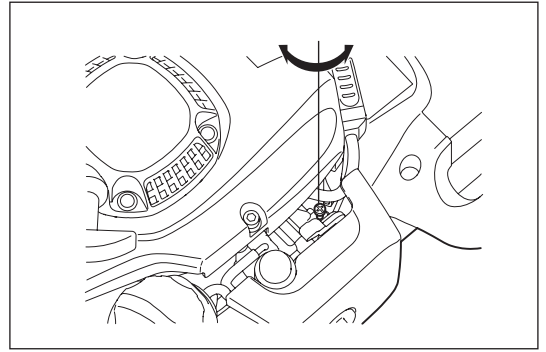
Überprüfen und Einstellen der Leerlaufdrehzahl

Wenn der Motor im Leerlauf ist, sollten die Schneidmesser stillstehen.

- Die Leerlaufdrehzahl sollte auf 3.000 min^{-1} (U/min) eingestellt sein.
- Stellen Sie die Leerlaufdrehzahl anhand der Leerlaufschraube ein (wenn der Motor im Leerlauf läuft, müssen die Schneidmesser stillstehen).
 - Wenn sich die Messer im Leerlauf bewegen, drehen Sie die Leerlaufschraube entgegen dem Uhrzeigersinn, um die Leerlaufdrehzahl zu verringern.
 - Wenn der Motor im Leerlauf stoppt, drehen Sie die Leerlaufschraube im Uhrzeigersinn, um die Leerlaufdrehzahl zu erhöhen.

Falls sich die Schneidblätter im Leerlauf auch nach dem Einstellen der Leerlaufdrehzahl weiter bewegen, wenden Sie sich an Ihr autorisiertes Servicezentrum.

- Die Kupplung sollte frühestens bei 3.750 min^{-1} (U/min) einkuppeln.
- Prüfen Sie den E/A-Schalter, den Handgriff-Entriegelungshebel und den Gashebel ordnungsgemäße Funktion.



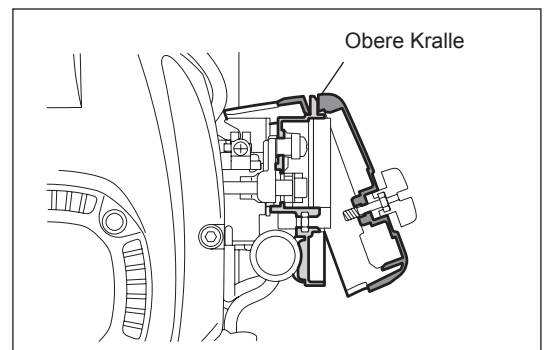
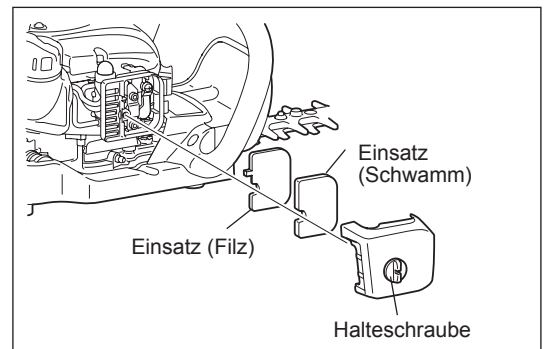
Reinigen des Luftfilters



GEFAHR: Offene Flammen strengstens verboten!

Überprüfen und reinigen Sie den Luftfilter täglich bzw. spätestens nach 10 Betriebsstunden.

- Drehen Sie den Choke-Hebel vollständig zu, und halten Sie den Vergaser frei von Staub und Schmutz.
- Lösen Sie die Halteschraube.
- Nehmen Sie den Luftfilter heraus, indem Sie den Luftfilterdeckel an seiner Rückseite nach vorn ziehen.
- Wenn der Einsatz (Schwamm) durch Öl verschmutzt ist, drücken Sie den Einsatz mit Kraft aus.
- Bei starker Verschmutzung:
 - 1) Entnehmen Sie den Einsatz (Schwamm), tauchen Sie ihn in warmes Wasser oder in Wasser mit verdünntem neutralen Reinigungsmittel, und lassen Sie den Einsatz anschließend vollständig trocknen.
 - 2) Reinigen Sie den Einsatz (Filz) mit Benzin, und lassen Sie den Einsatz gründlich trocknen.
- Lassen Sie die Einsätze vollständig trocknen, bevor Sie den Luftfilter wieder einbauen. Bei unzureichender Trocknung der Einsätze können Schwierigkeiten beim Starten des Motors auftreten.
- Wischen Sie um den Luftfilter anhaftendes Öl mit Hilfe eines Putzlappens ab.
- Bringen Sie unmittelbar nach dem Reinigen den Luftfilterdeckel wieder an und sichern Sie den Deckel mittels Halteschraube. (Setzen Sie beim Anbringen zuerst die obere Kralle ein.)



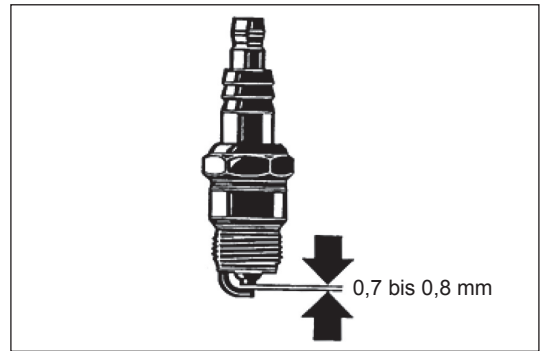
Wichtige Punkte beim Umgang mit den Luftfiltereinsätzen

- Reinigen Sie die Einsätze mehrere Male am Tag, falls übermäßig Staub anhaftet.
- Falls der Betrieb mit överschmutzten Einsätzen fortgesetzt wird, kann Öl aus dem Luftfilter austreten und zu einer Ölverschmutzung führen.

Überprüfen der Zündkerze

Überprüfen und reinigen Sie die Zündkerze täglich bzw. spätestens nach 8 Betriebsstunden.

- Verwenden Sie zum Heraus- und Einschrauben der Zündkerze ausschließlich den mitgelieferten Universalschraubenschlüssel.
- Der Abstand zwischen den beiden Elektroden der Zündkerze sollte 0,7 bis 0,8 mm betragen. Wenn der Abstand zu klein oder zu groß ist, korrigieren Sie den Abstand. Falls die Zündkerze mit Kohle zugesetzt oder verschmutzt ist, reinigen Sie die Zündkerze gründlich oder setzen Sie eine neue Zündkerze ein. Verwenden Sie ausschließlich Ersatzzündkerzen des exakt gleichen Typs.



Abschmieren

- Drücken Sie alle 50 Betriebsstunden Schmierfett in den Schmiernippel (Shell Alvania Nr. 3 oder gleichwertig).

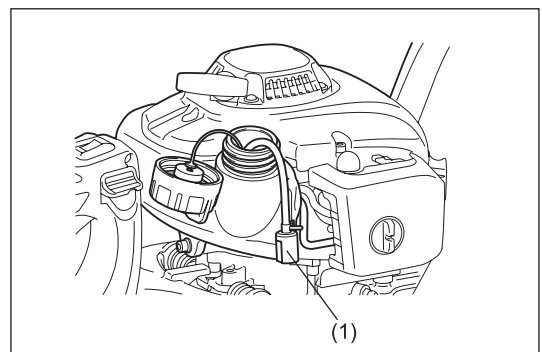
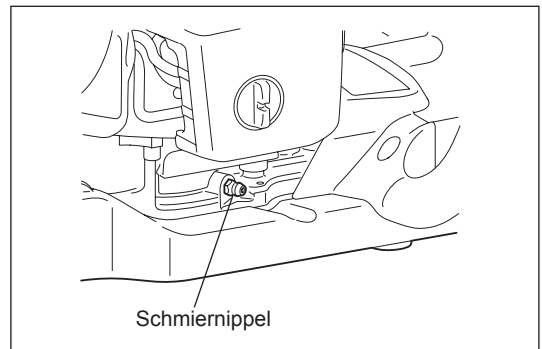
HINWEIS: Halten Sie unbedingt die vorgegebenen Schmierintervalle und Schmierfettmengen ein. Anderenfalls kann es durch mangelnde Schmierung zu Schäden am Werkzeug kommen.

Reinigen des Kraftstofffilters (Ansaugkopf im Kraftstofftank)

WARNUNG: Offene Flammen strengstens verboten!

Überprüfen und reinigen Sie den Kraftstofffilter monatlich bzw. spätestens nach 50 Betriebsstunden.

- Der vom Vergaser benötigte Kraftstoff wird durch den Feinfilter (1) im Ansaugkopf gefiltert.
- Nehmen Sie regelmäßig eine Sichtprüfung des Feinfilters vor.
- Für die Überprüfung des Feinfilters öffnen Sie den Tankdeckel, und ziehen Sie mit einem Drahhaken den Ansaugkopf durch die Tanköffnung. Wenn der Feinfilter verhärtet, verschmutzt oder verstopft ist, tauschen Sie den Feinfilter durch einen neuen aus.
- Tauschen Sie den Feinfilter mindestens alle 3 Monate aus, damit die Zufuhr von ausreichend Kraftstoff zum Vergaser sichergestellt ist. Eine zu geringe Zufuhr von Kraftstoff führt zu Startschwierigkeiten des Motors und zu einer Verringerung der Maximaldrehzahl.



Austauschen der Kraftstoffleitung

ACHTUNG: Offene Flammen strengstens verboten!

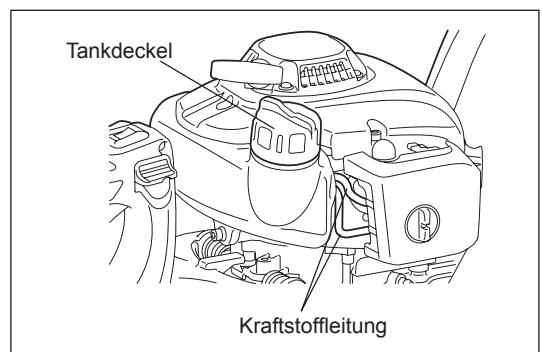
Überprüfen und reinigen Sie die Kraftstoffleitung täglich bzw. spätestens nach 10 Betriebsstunden.

Tauschen Sie die Kraftstoffleitung nach 200 Betriebsstunden oder spätestens, unabhängig von der Betriebsdauer, jährlich aus. Anderenfalls kann es zu einem Brand durch austretenden Kraftstoff kommen.

Falls Sie austretenden Kraftstoff bemerken, tauschen Sie die Kraftstoffleitung sofort aus.

Ersetzen des Tankdeckels

- Falls der Tankdeckel einen Riss oder eine Beschädigung aufweist, ersetzen Sie den Deckel.
- Der Tankdeckel weist im Laufe der Zeit Abnutzungen auf. Ersetzen Sie den Tankdeckel alle zwei bis drei Jahre.



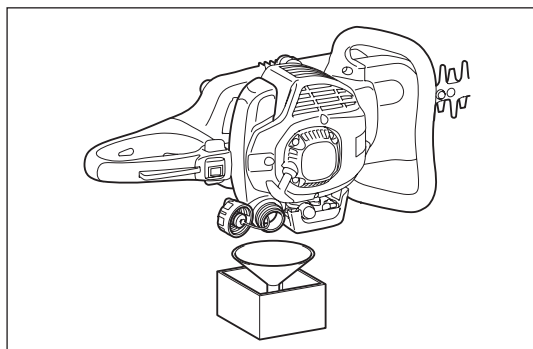
Falls Wartungsarbeiten und Einstellungen vorgenommen werden müssen, die nicht in dieser Betriebsanleitung erläutert sind, wenden Sie sich an Ihr autorisiertes Makita Servicecenter.

Tägliche Inspektionen und Wartungsarbeiten

Führen Sie die folgenden Wartungsarbeiten regelmäßig durch, um eine lange Lebenszeit des Werkzeugs zu erzielen und Beschädigungen am Werkzeug zu vermeiden.

- Vor der Verwendung:
 - Überprüfen Sie das Werkzeug auf gelockerte Schrauben und fehlende Teile. Achten Sie insbesondere darauf, dass die Schrauben der Schneidmesser ordnungsgemäß festgezogen sind.
 - Überprüfen Sie, dass die Kühlluftdurchgänge und Zylinderlamellen nicht verstopft sind. Reinigen Sie diese bei Bedarf.
 - Reinigen und prüfen Sie den Kraftstofftank auf Lecks oder Fremdkörper im Tank.
- Nach der Verwendung:
 - Reinigen Sie die Heckenschere äußerlich und überprüfen Sie die Heckenschere auf Beschädigungen.
 - Reinigen Sie den Luftfilter. Wenn Sie unter sehr staubigen Bedingungen arbeiten, reinigen Sie den Filter mehrmals am Tag.
 - Überprüfen Sie die Schneidmesser auf Beschädigungen und stellen Sie sicher, dass die Messer ordnungsgemäß montiert sind.

AUFBEWAHRUNG



- Wenn Sie das Werkzeug längere Zeit einlagern möchten, lassen Sie wie im Folgenden erläutert den Kraftstoff vollständig aus Tank und Vergaser ab: Entleeren Sie den Kraftstofftank vollständig.
- Schrauben Sie die Zündkerze heraus und geben Sie einige wenige Tropfen Öl in die Zündkerzenöffnung. Ziehen Sie anschließend langsam an der Starterschnur, damit die gesamte Innenseite des Zylinders durch einen Ölfilm bedeckt wird, und schrauben Sie die Zündkerze wieder ein.
- Entfernen Sie Staub und Schmutz von den Schneidmessern und außen vom Werkzeug, wischen Sie Messer und Werkzeug mit einem öligen Lappen ab und bewahren Sie das Werkzeug an einem möglichst trockenen Ort auf.

WARTUNGSPLAN

Nach jedem Betanken	Gashebel E/A-Schalter	Prüfen auf ordnungsgemäße Funktion Prüfen auf ordnungsgemäße Funktion
Vor jeder Verwendung	Motor, Schrauben und Muttern Luftfilter Kühlluftkanal Schneidwerkzeug Leerlaufdrehzahl Kraftstofftank	Sichtprüfung auf Beschädigungen und festen Sitz Prüfen auf allgemeinen Zustand und Sicherheit Reinigen Reinigen Prüfen auf Beschädigungen und Schärfe Überprüfen (Schneidwerkzeug darf sich nicht bewegen) Prüfen und Reinigen
Aller 50 Stunden	Getriebegehäuse	Abschmieren
Wöchentlich	Zündkerze	Überprüfen und ggf. austauschen
Jährlich	Kraftstoffleitung	Austauschen
Aller zwei Jahre	Tankdeckel	Austauschen
Vor einer langfristigen Lagerung	Kraftstofftank Vergaser Ansaugkopf	Leeren und Reinigen Betreiben des Motors, bis der Kraftstoff vollständig verbraucht ist Austauschen

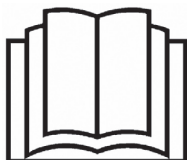
PROBLEMBEHEBUNG

Problem	System	Beobachtung	Ursache
Motor startet nicht oder mit Schwierigkeiten	Zündungssystem	Zündfunke vorhanden	Fehler der Kraftstoffversorgung oder des Verdichtungssystems, mechanischer Defekt
		Kein Zündfunke	E/A-Schalter betätigt, Fehler oder Kurzschluss in Verdrahtung, Zündkerze oder Zündkerzenstecker defekt, Zündmodul defekt
	Kraftstoffzufuhr	Kraftstofftank gefüllt	Choke nicht in korrekter Position, Vergaser defekt, Ansaugkopf (Kraftstofffilter) verschmutzt, Kraftstoffleitung verbogen oder unterbrochen
	Verdichtung	Im Inneren des Motors	Zylinderfußdichtung defekt, Kurbelwellendichtungen beschädigt, Zylinder oder Kolbenringe defekt
		Außen am Motor	Zündkerzendichtung nicht in Ordnung
Mechanischer Fehler	Starter greift nicht ein	Gebrochene Starterfeder, gebrochene Teile innerhalb des Motors	
		Tank gefüllt, Zündfunken vorhanden	Vergaser verschmutzt, wurde gereinigt
Warmstartprobleme			
Motor startet, geht jedoch gleich wieder aus	Kraftstoffzufuhr	Tank gefüllt	Leerlaufdrehzahl nicht richtig eingestellt, Ansaugkopf oder Vergaser verschmutzt
			Problem mit Lüftungsöffnung Kraftstofftank, Kraftstoff-Zufuhrleitung unterbrochen, Kabel oder E/A-Schalter defekt
Unzureichende Leistung	Möglicherweise sind mehrere Systeme gleichzeitig betroffen	Motor im Leerlauf	Luftfilter verschmutzt, Vergaser verschmutzt, Schalldämpfer verstopft, Auslasskanal im Zylinder verstopft

Grazie per aver scelto questo tagliaiepi MAKITA. Siamo lieti di proporre il tagliaiepi MAKITA, risultato di un lungo programma di sviluppo e di molti anni di esperienza e conoscenza.

I tagliaiepi modello EH5000W, EH6000W e EH7500W coniugano i vantaggi della tecnologia all'avanguardia con un design ergonomico, risultando leggeri, pratici e compatti, rappresentando inoltre degli strumenti professionali adatti a una grande varietà di applicazioni.

Leggere attentamente e attenersi alle istruzioni del presente libretto, contenente riferimenti dettagliati ai diversi elementi che dimostreranno le eccellenti prestazioni dell'utensile. In questo modo sarà possibile ottenere in maniera sicura i migliori risultati dal tagliaiepi MAKITA.



Sommario	Pagina
Simboli.....	45
Istruzioni di sicurezza.....	46
Dati tecnici.....	49
Designazione delle parti.....	50
Carburanti/rifornimento.....	51
Precauzioni preliminari.....	52
Avviamento dell'utensile.....	53
Arresto dell'utensile.....	53
Funzionamento dell'utensile.....	54
Regolazione dell'angolazione dell'impugnatura posteriore.....	54
Istruzioni per la manutenzione.....	55
Conservazione.....	58
Schema delle operazioni di manutenzione.....	58
Individuazione dei guasti.....	58

SIMBOLI

Per una lettura corretta del presente manuale di istruzioni è molto importante la comprensione dei seguenti simboli.

	AVVERTENZA/PERICOLO		Miscela di carburante e olio
	Leggere attentamente e attenersi al manuale di istruzioni Manuale di istruzioni		Motore: avviamento manuale
	Proibito		Arresto di emergenza
	Vietato fumare.		Pronto soccorso
	Non usare fiamme libere		Riciclaggio
	Indossare guanti protettivi		
	Allontanare persone e animali dall'area di lavoro		ACCESO/AVVIAMENTO
	Indossare protezioni per occhi e orecchie		SPENTO/ARRESTO
			Marchio CE

ISTRUZIONI DI SICUREZZA

Istruzioni generali

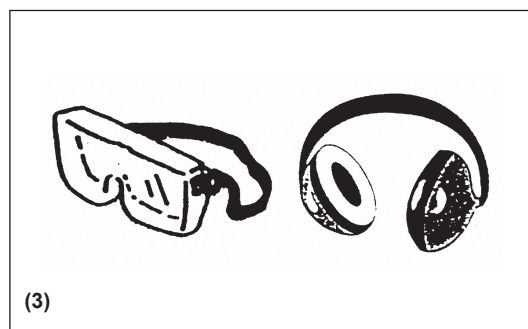
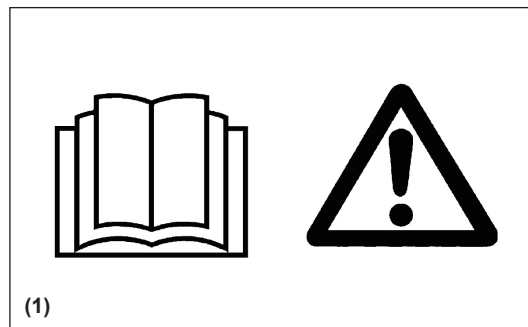
- QUESTO UTENSILE PUÒ PROVOCARE LESIONI GRAVI. Leggere attentamente le istruzioni riguardanti l'uso, la preparazione, la manutenzione, l'avvio e l'arresto corretti dell'utensile. Acquisire familiarità con tutti i comandi e con l'uso corretto dell'utensile. (1)
- Si raccomanda di dare in prestito il taglia siepi solo a persone con provata esperienza nell'utilizzo di taglia siepi. Consegnare sempre anche il manuale di istruzioni.
- Gli utilizzatori alle prime armi dovrebbero richiedere le istruzioni di base al rivenditore per familiarizzare con l'utilizzo di un taglia siepi a motore.
- Il taglia siepi non deve essere utilizzato da bambini e persone al di sotto dei 18 anni di età. Persone al di sopra dei 16 anni possono tuttavia usare l'utensile per scopi di addestramento, sempre sotto la supervisione di un istruttore qualificato.
- Usare il taglia siepi con la massima cura e attenzione.
- Il taglia siepi deve essere utilizzato solo da persone in buone condizioni fisiche. Eseguire il lavoro con calma e attenzione. L'utilizzatore ha la responsabilità anche delle altre persone.
- Non utilizzare mai il taglia siepi dopo l'assunzione di alcol, farmaci o droghe, oppure se ci si sente stanchi o indisposti. (2)

Uso previsto dell'utensile

- Il taglia siepi è destinato unicamente alla potatura di cespugli e siepi e non deve essere utilizzato per nessun altro scopo. Evitare usi impropri del taglia siepi.

Dispositivi di protezione personale

- L'abbigliamento indossato deve essere funzionale e appropriato; ad esempio, deve essere aderente ma senza causare impedimenti. Non indossare gioielli o abiti troppo larghi che potrebbero impigliarsi in cespugli o arbusti o nell'utensile stesso.
- Per evitare lesioni a occhi, mani o piedi, oltre che per proteggere l'udito durante il lavoro, in fase d'uso del taglia siepi è necessario indossare i seguenti dispositivi e indumenti protettivi.
- Per prevenire lesioni agli occhi, indossare sempre occhiali di protezione o un visore durante l'uso del taglia siepi. (3)
- Indossare adeguate protezioni contro il rumore per evitare danni all'udito, come cuffie, tappi per le orecchie, ecc. (3)
- Si consiglia fortemente di indossare una tuta da lavoro integrale. (4)
- I guanti speciali di cuoio pesante fanno parte dell'equipaggiamento prescritto e devono sempre essere indossati durante l'uso del taglia siepi. (4)
- Durante l'uso del taglia siepi indossare sempre scarpe pesanti con suola antiscivolo. Consentono la protezione da infortuni e garantiscono la corretta stabilità. (4)



Avviamento del tagliaiepi

- Assicurarsi che non siano presenti bambini o altre persone in un raggio di 15 metri (5); fare anche attenzione alla presenza di animali nelle vicinanze dell'area di lavoro.
- Prima dell'uso, assicurarsi sempre che il tagliaiepi sia predisposto correttamente.
- Controllare la sicurezza della leva dell'acceleratore. La leva dell'acceleratore deve consentire un azionamento semplice e uniforme, non a scatti. Accertarsi che la sicura della leva dell'acceleratore funzioni correttamente. Controllare che le impugnature siano pulite e asciutte, quindi verificare la funzionalità dell'interruttore di avviamento e arresto. Le impugnature non devono essere sporche di olio o carburante.

Avviare il tagliaiepi solo secondo quanto riportato nelle istruzioni.

Non usare alcun altro metodo per avviare il motore (6)!

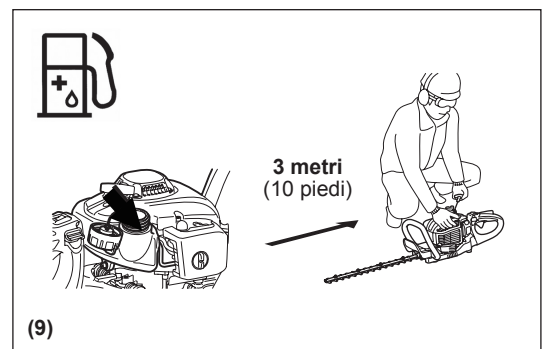
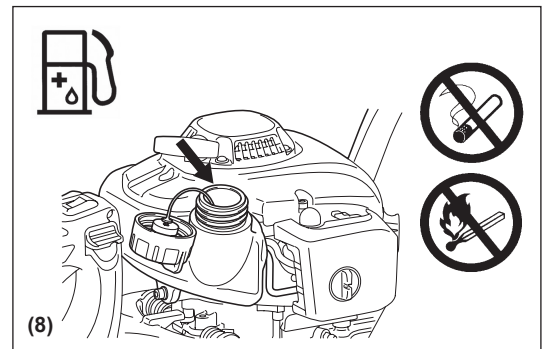
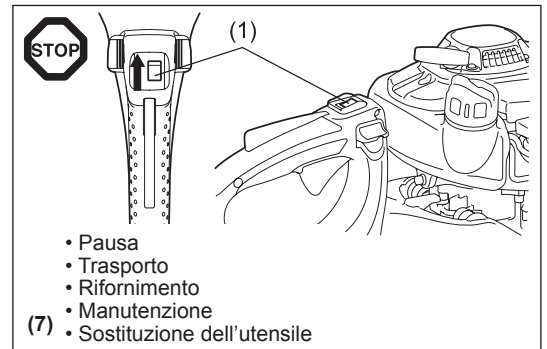
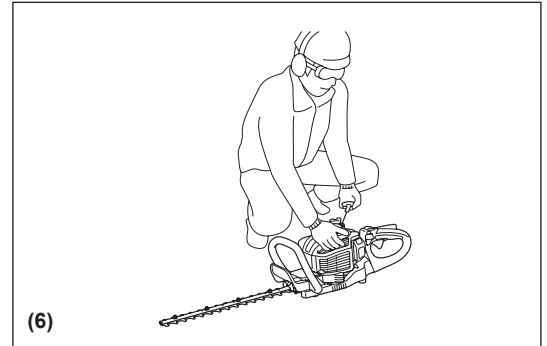
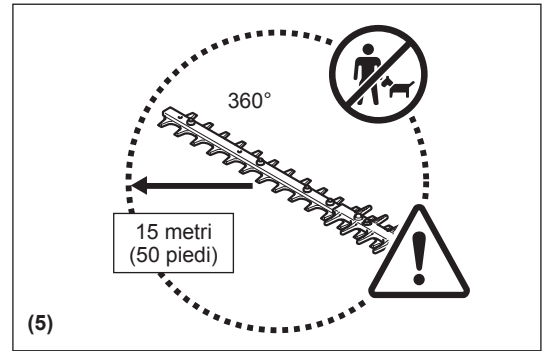
- Usare il tagliaiepi solo per gli scopi specificati.
- Avviare il motore del tagliaiepi solo una volta completato l'assemblaggio. L'uso del tagliaiepi è consentito solo dopo l'inserimento di tutti gli accessori appropriati.
- Prima di iniziare, assicurarsi che l'area di lavoro sia sgombra da rami, pietre, ecc. onde evitare che vengano a contatto con la lama di taglio.
- In caso di problemi al motore, esso va immediatamente arrestato.
- Durante l'uso del tagliaiepi stringere saldamente sia l'impugnatura anteriore sia quella posteriore. Mantenere le impugnature pulite, prive di umidità, resine, oli o grassi.

Assicurarsi sempre di avere una presa a terra sicura e ben bilanciata.

- Utilizzare solo in ambienti esterni.
- Controllare sempre le vicinanze, prestando particolare attenzione a potenziali pericoli non udibili a causa del rumore prodotto dall'utensile.
- Usare il tagliaiepi in modo da evitare di inalare i gas di scarico. Non azionare mai il motore in luoghi chiusi (pericolo di soffocamento e avvelenamento da gas). Il monossido di carbonio è un gas inodore. Assicurare sempre una ventilazione appropriata.
- Arrestare il motore durante le pause e quando si lascia il tagliaiepi incustodito. Collocare l'utensile in un luogo sicuro per prevenire pericoli per le altre persone ed impedire che materiali combustibili prendano fuoco accidentalmente o che l'utensile rimanga danneggiato.
- Non appoggiare mai il tagliaiepi ancora caldo sull'erba secca o su materiali combustibili.
- Per ridurre il rischio di incendi, tenere il motore e il silenziatore sgombri da detriti, foglie e quantità eccessive di lubrificante.
- Non azionare mai il motore se il tubo di scarico è difettoso.
- Arrestare il motore durante il trasporto dell'utensile (7).
- Arrestare il motore prima di:
 - Rimuovere un'ostruzione;
 - Controllare l'utensile o eseguire dei lavori di manutenzione o qualsiasi altra operazione su di esso.
- Sistemare il tagliaiepi in una posizione sicura durante il trasporto in auto o su camion per evitare perdite di carburante.
- Durante il trasporto del tagliaiepi, assicurarsi che il serbatoio del carburante sia completamente vuoto per evitare perdite di carburante.
- Quando si trasporta o si ripone l'utensile, applicare sempre il coprilama.

Rifornimento

- Arrestare il motore prima di eseguire il rifornimento (7), mantenersi lontani da fiamme libere (8) e non fumare.
- Non tentare di eseguire il rifornimento a motore acceso o ancora caldo.
- Evitare che carburante, olio, ecc. vengano a contatto con la pelle. Non inalare i vapori del carburante. Durante il rifornimento indossare sempre i guanti di protezione. Sostituire e pulire gli indumenti di protezione a intervalli regolari.
- Evitare le fuoriuscite di carburante e olio onde evitare la contaminazione del terreno (protezione dell'ambiente). Pulire il tagliaiepi subito dopo una fuoriuscita di carburante. Far asciugare gli abiti usati per pulire il carburante in un'area ben ventilata prima di smaltirli. In caso contrario potrebbe verificarsi combustione spontanea.
- Evitare il contatto del carburante con i capi di vestiario. Sostituire immediatamente gli abiti se il carburante è finito su di essi (pericolo).
- Controllare regolarmente il tappo del serbatoio del carburante per assicurarsi che sia stretto saldamente.
- Stringere con cura il tappo del serbatoio del carburante. Allontanarsi prima di avviare il motore (almeno 3 metri dal luogo di rifornimento) (9).
- Non effettuare mai il rifornimento in ambienti chiusi. I vapori del combustibile si accumulano a livello del terreno (pericolo di esplosioni).
- Trasportare e riporre il carburante solo in contenitori omologati. Assicurarsi che il carburante riposto non sia accessibile ai bambini.
- Se si miscelano benzina e olio per motore a due tempi, usare solo benzina priva di etanolo o metanolo (dei tipi di alcool). Questo per prevenire danni ai tubi del carburante e alle altre parti del motore.



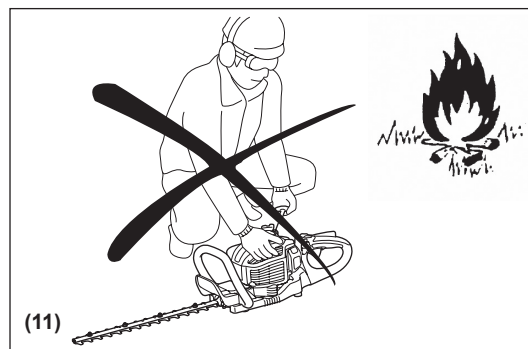
Metodo di utilizzo

- Usare sempre entrambe le mani per stringere le impugnature durante l'uso.
- Usare il tagliaiepi solo in buone condizioni di luce e visibilità. Durante la stagione invernale fare attenzione alle zone umide o scivolose, a neve e ghiaccio (rischio di scivolamento). Assicurarsi sempre di avere una buona presa a terra.
- Non lavorare mai su superfici instabili o terreni scoscesi.
- Non utilizzare mai il tagliaiepi mentre ci si trova su una scala.
- Non arrampicarsi mai sugli alberi per eseguire operazioni di taglio con il tagliaiepi.
- Per ridurre il rischio di inciampare e perdere il controllo, non camminare all'indietro mentre si utilizza l'utensile.
- Arrestare sempre il motore prima di pulire l'unità, eseguire lavori di manutenzione su di essa o sostituirne i componenti.
- Non utilizzare l'utensile se il dispositivo di taglio è danneggiato o eccessivamente usurato.



Istruzioni per la manutenzione

- Rispettare l'ambiente. Utilizzare il tagliaiepi limitando al massimo il rumore e l'inquinamento. In particolare, verificare la corretta regolazione del carburatore.
- Pulire il tagliaiepi a intervalli regolari e controllare che tutte le viti e i dadi siano ben stretti.
- Non eseguire lavori di manutenzione o riporre il tagliaiepi in prossimità di fiamme libere, scintille, ecc. (11).
- Svuotare il serbatoio del carburante prima di riporre il tagliaiepi.
- Non riporre mai il tagliaiepi in prossimità di fiamme libere, per prevenire il rischio di incendi.
- Riporre il tagliaiepi in un luogo ben ventilato e in posizione elevata o chiuso a chiave, fuori dalla portata dei bambini.
- Non tentare di riparare l'utensile se non si è qualificati per farlo.



Osservare e seguire tutte le istruzioni pertinenti su come prevenire gli incidenti fornite dalle commissioni per la sicurezza delle associazioni commerciali e dalle compagnie di assicurazione.

Non modificare in alcun modo il tagliaiepi, onde evitare di mettere a repentaglio la propria sicurezza.

Le attività di manutenzione o di riparazione a carico dell'utilizzatore sono limitate a quelle descritte nel presente manuale di istruzioni. Tutti gli altri interventi devono essere eseguiti da un centro di assistenza autorizzato.

Utilizzare solo parti di ricambio e accessori originali forniti dai centri di assistenza autorizzati o dai centri di assistenza aziendali MAKITA.

L'uso di accessori e utensili non approvati potrebbe aumentare il rischio di incidenti e lesioni. MAKITA non sarà responsabile di incidenti o danneggiamenti causati dall'uso di accessori non approvati.

Pronto soccorso

Assicurarsi che nelle vicinanze del luogo di lavoro sia disponibile un kit di pronto soccorso rifornito e a norma DIN 13164, in caso di infortuni.

Rifornire immediatamente ogni oggetto prelevato dal kit di pronto soccorso.

Dovendo richiedere assistenza, fornire le seguenti informazioni:

- Luogo dell'incidente
- Che cosa è accaduto
- Numero delle persone ferite
- Entità delle lesioni
- Il proprio nome



Imballaggio

Il tagliaiepi MAKITA viene fornito in una confezione protettiva di cartone per prevenire i potenziali danneggiamenti causati dal trasporto. Il cartone è una materia prima di base e quindi è riutilizzabile o riciclabile (riciclaggio della carta usata).



DICHIARAZIONE DI CONFORMITÀ CE

Makita Corporation, in qualità di produttore responsabile, dichiara che gli utensili Makita indicati di seguito:

Denominazione dell'utensile: Tagliasiepi a benzina

N. modello /Tipo: EH5000W, EH6000W, EH7500W

Dati tecnici: vedere "DATI TECNICI"

appartengono a una produzione in serie e

sono conformi alle seguenti direttive europee:

2000/14/CE, 2006/42/CE

Sono inoltre prodotti in conformità con gli standard o i documenti standardizzati riportati di seguito:

EN ISO 10517

La documentazione tecnica viene conservata dal rappresentante autorizzato Makita in Europa, ovvero:

Makita International Europe Ltd.

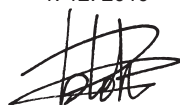
Michigan Drive, Tongwell, Milton Keynes, Bucks MK15 8JD, Inghilterra

La procedura di valutazione della conformità richiesta dalla Direttiva 2000/14/CE è stata effettuata secondo quanto specificato nell'allegato V.

Livello di potenza sonora misurata: EH5000W 104,0 dB (A), EH6000W 104,2 dB (A), EH7500W 104,8 dB (A)

Livello di potenza sonora garantita: Tutti i modelli 106 dB (A)

1. 12. 2010



Tomoyasu Kato
Direttore

Makita Corporation

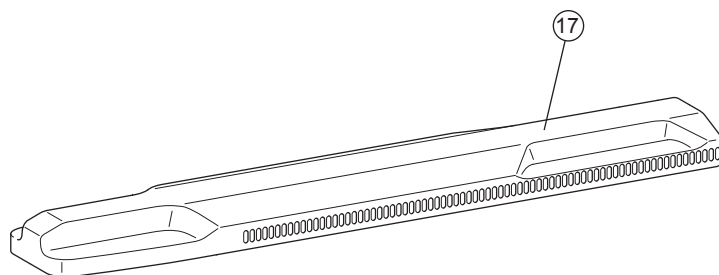
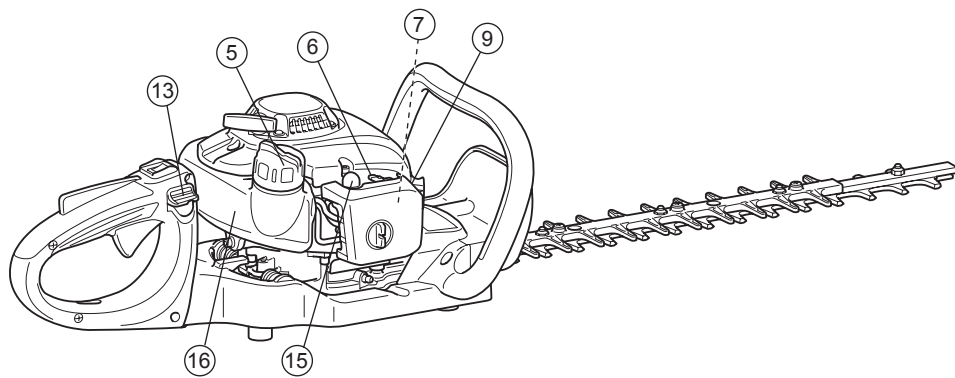
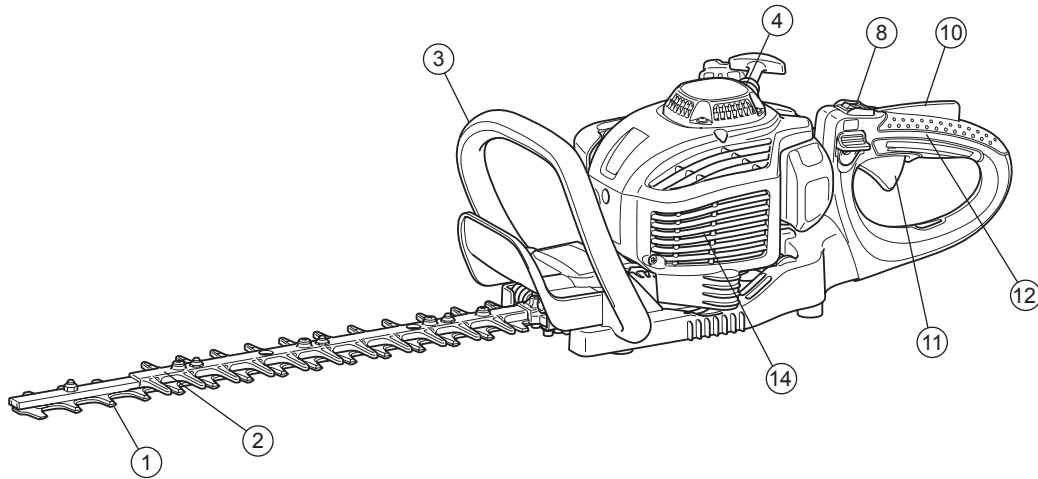
3-11-8, Sumiyoshi-cho,

Anjo, Aichi, 446-8502, GIAPPONE

DATI TECNICI

Modello			EH5000W	EH6000W	EH7500W	
Dimensioni (lun. x lar. x alt.)		mm	1.014 x 262 x 216	1.119 x 262 x 216	1.259 x 262 x 216	
Peso (senza il coprilama)		kg	4,8	5,0	5,2	
Volume (serbatoio carburante)		L	0,4			
Cilindrata		cm ³	22,2			
Lunghezza di taglio		mm	483	588	728	
Prestazioni massime del motore		kW	0,68			
Velocità massima della lama		min ⁻¹	4.270			
Velocità al minimo		min ⁻¹	3.000			
Velocità di impegno della frizione		min ⁻¹	4.000			
Tipo di carburatore		tipo	WALBRO WYL			
Sistema di accensione		tipo	Accensione a stato solido			
Candela		tipo	NGK CMR6A			
Distanza fra gli elettrodi		mm	0,7 - 0,8			
Vibrazione per EN ISO 10517	Impugnatura destra	$a_{hv\ eq}$	m/s ²	2,5	2,7	2,3
		Variazione K	m/s ²	1,3	1,1	1,6
	Impugnatura sinistra	$a_{hv\ eq}$	m/s ²	2,5	2,8	2,3
		Variazione K	m/s ²	1,3	1,1	1,2
Rumore per EN ISO 10517	Livello di pressione sonora		dB (A)	93,0	92,8	93,9
	Variazione K		dB (A)	1,4	2,2	1,2
	Livello di potenza sonora		dB (A)	103,0	103,2	103,8
	Variazione K		dB (A)	2,1	1,5	1,3
Rapporto miscela (carburante: olio per motore)		Olio per motore a due tempi originale MAKITA		50 : 1		
		Olio per motori a due tempi di altri produttori		25 : 1		
Rapporto				9 : 43		

DESIGNAZIONE DELLE PARTI



	DESIGNAZIONE DELLE PARTI		DESIGNAZIONE DELLE PARTI		DESIGNAZIONE DELLE PARTI
1	Lama	7	Carburatore (non riportato in figura)	13	Leva di rilascio
2	Prolunga smussata	8	Interruttore di avviamento e arresto (ON-OFF)	14	Tubo di scarico
3	Impugnatura anteriore	9	Candela	15	Pompa manuale
4	Avviamento a corda	10	Leva di sicurezza	16	Serbatoio del carburante
5	Tappo del serbatoio del carburante	11	Leva dell'acceleratore	17	Coprilama
6	Levetta dell'aria	12	Impugnatura posteriore		

CARBURANTI/RIFORNIMENTO

Miscela di carburante e olio

- Il tagliaerba è dotato di un motore a due tempi ad alta efficienza. Funziona con una miscela di carburante e olio per motori a due tempi. Il motore è progettato per funzionare con normale carburante senza piombo, con un valore minimo di ottani pari a 91 ROZ. Se non fosse disponibile questo tipo di carburante è possibile usare un carburante con un maggiore numero di ottani. Questo non danneggerà il motore, ma potrebbe determinare un funzionamento meno efficace. Problemi analoghi sorgono utilizzando carburante con piombo. Per ottimizzare le prestazioni del motore e proteggere la propria salute e l'ambiente, usare solo carburante senza piombo!
- Per lubrificare il motore usare un olio per motori a due tempi (grado di qualità: TSC-3), aggiungendolo al carburante. Per proteggere l'ambiente, il motore è progettato per usare olio per motori a due tempi MAKITA con un rapporto di miscela di appena 50:1. In questo modo, inoltre, sono garantiti una lunga durata del prodotto e un funzionamento affidabile con emissioni di gas di scarico ridotte al minimo. È assolutamente essenziale rispettare un rapporto di miscela di 50:1 (olio per motori a due tempi MAKITA), altrimenti il tagliaerba potrebbe non funzionare in maniera affidabile.
- Rapporto di miscela corretto:
Benzina: Olio per motori a due tempi indicato = 50: 1 o
Benzina: Olio per motori a due tempi di altre marche = 25 : 1
consigliato

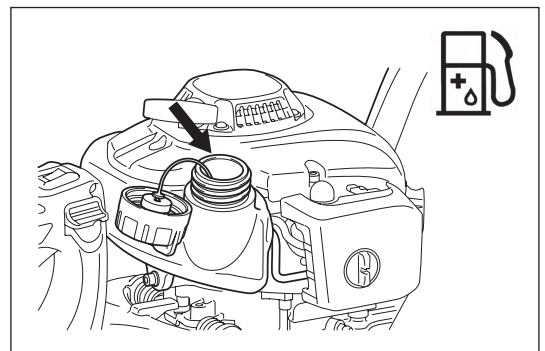
NOTA: Per la preparazione della miscela carburante-olio, miscelare prima tutto l'olio con metà del carburante necessario in un contenitore omologato con caratteristiche conformi o superiori a tutti gli standard delle normative locali. Quindi, aggiungere il resto del carburante. Agitare energicamente la miscela prima di versarla nel serbatoio del tagliaerba. Non aggiungere più olio per motore di quello specificato, al fine di non compromettere la sicurezza del funzionamento. Non si farebbe altro che aumentare la produzione di residui di combustione, che inquinano l'ambiente e ostruiscono il condotto di scarico del cilindro e il tubo di scarico. Inoltre, con una quantità eccessiva di olio per motore aumenta il consumo di carburante e diminuiscono le prestazioni.

Trattamento di olio e carburante

È necessaria la massima attenzione nel trattamento del carburante, in quanto può contenere sostanze simili ai solventi. Eseguire il rifornimento in un'area ben ventilata o all'esterno. Non inalare i vapori del carburante ed evitare il contatto di olio o carburante con la pelle. Se la pelle viene ripetutamente a contatto con queste sostanze per lungo tempo, subirà una disidratazione. Potrebbero verificarsi diversi problemi della pelle. Possono inoltre verificarsi reazioni allergiche. Il contatto con olio, carburante, ecc. può causare irritazioni agli occhi. Se gli occhi entrano a contatto con olio, carburante, ecc., sciacquarli immediatamente con acqua fresca. Nel caso in cui l'irritazione agli occhi permanga, consultare immediatamente un medico.



Osservare le Istruzioni per la sicurezza a pagina 47.



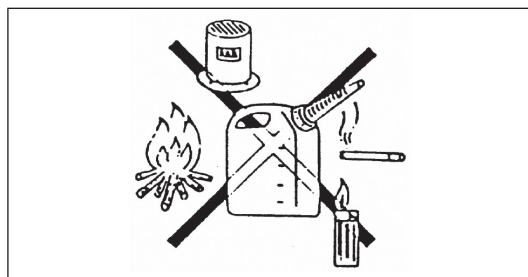
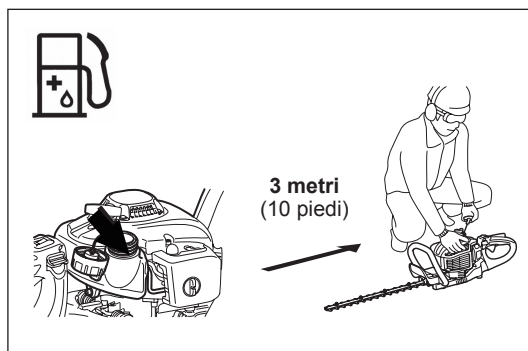
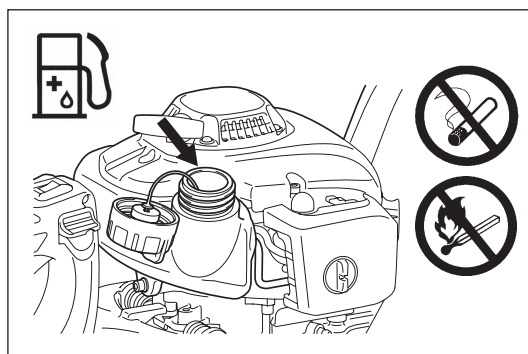
Benzina	+	Olio
	50:1	
	50:1	25:1
1.000 cm ³ (1 litro)		20 cm ³ 40 cm ³
5.000 cm ³ (5 litri)		100 cm ³ 200 cm ³
10.000 cm ³ (10 litri)		200 cm ³ 400 cm ³

Rifornimento

- Il motore deve essere spento.
- Durante il rifornimento arrestare il motore, tenersi lontani da eventuali fiamme e non fumare.
- Evitare le fuoriuscite di carburante e olio onde impedire la contaminazione del terreno.
Pulire il tagliasepi subito dopo una fuoriuscita di carburante.
- Prestare attenzione a non versare il carburante sul motore. Asciugare, se si è verificata una fuoriuscita di carburante.
- Evitare il contatto del carburante con i capi di vestiario. Cambiarsi immediatamente in caso di contatto con il carburante (per evitare che gli abiti prendano fuoco).
- Controllare regolarmente il tappo del serbatoio del carburante per assicurarsi che possa essere stretto saldamente e che non perda.
- Stringere con cura il tappo del serbatoio del carburante. Allontanarsi prima di avviare il motore (almeno 3 metri dal luogo di rifornimento).
- Non effettuare mai il rifornimento in ambienti chiusi. I vapori del carburante si accumulano a livello del terreno (pericolo di esplosioni).
- Trasportare e riporre il carburante solo in contenitori omologati. Assicurarsi che il carburante riposto non sia accessibile ai bambini.
- Pulire completamente l'area intorno al tappo del serbatoio del carburante per evitare che lo sporco penetri all'interno.
- Svitare il tappo e versare il carburante nel serbatoio. Per filtrare il carburante, utilizzare un imbuto di rete metallica.
- Avvitare saldamente il tappo a mano.
- Dopo il rifornimento, ripulire l'area intorno al tappo a vite e al serbatoio.
- Asciugare sempre l'eventuale carburante versato per prevenire gli incendi.

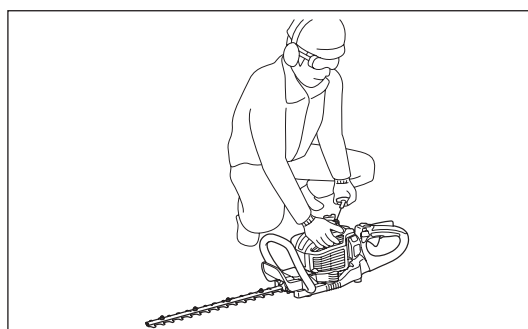
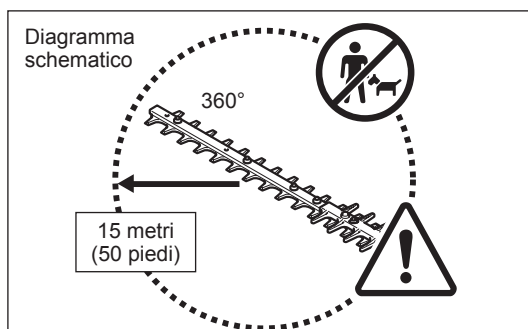
Conservazione del carburante

- Il carburante non può essere conservato per un periodo di tempo illimitato.
- Acquistare solo la quantità necessaria per un periodo di utilizzo di 4 settimane.
- Usare solo contenitori omologati per la conservazione di carburante.



PRECAUZIONI PRELIMINARI

- Assicurarsi che non vi siano bambini o altre persone nella zona di lavoro, entro un raggio di 15 metri. Prestare inoltre attenzione agli animali nelle vicinanze.
- Prima dell'uso, assicurarsi sempre che il tagliasepi sia predisposto correttamente. Controllare che il dispositivo di taglio non sia danneggiato, che la leva di controllo si azioni facilmente e che l'interruttore di avviamento e arresto funzioni correttamente.
Le lame di taglio non devono girare quando il motore è al minimo.
In caso di dubbi, rivolgersi al rivenditore per la regolazione. Controllare che le impugnature siano pulite e asciutte, quindi verificare la funzionalità dell'interruttore di avviamento e arresto.
- Avviare il tagliasepi solo secondo quanto riportato nelle istruzioni. Non usare alcun altro metodo per avviare il motore (vedere Avviamento).
- Avviare il motore solo una volta completato l'assemblaggio. L'uso con il motore acceso è consentito solo dopo l'applicazione di tutti gli accessori appropriati. In caso contrario, esiste il rischio di lesioni.
- Prima di iniziare, assicurarsi che l'area di lavoro sia sgombra da rami, pietre, ecc. onde evitare che vengano a contatto con le lame di taglio.
- Prima di iniziare a tagliare, ispezionare l'area per evitare che la lama venga a contatto con fili, corde, vetri o altri corpi estranei.
- Scossa elettrica. Prestare attenzione a qualsiasi linea o recinzione elettrica. Verificare che tutte le aree siano sgombre da linee elettriche prima di iniziare a tagliare.



AVVIAMENTO DELL'UTENSILE

Allontanarsi di almeno 3 m dal luogo di rifornimento. Appoggiare il tagliaiepi su una zona di terreno libera, avendo cura che le lame di taglio non siano a contatto con il terreno o con qualunque altro oggetto.

Avviamento a freddo: (quando il motore è freddo o è fermo da più di 5 minuti, oppure dopo aver effettuato un rifornimento.)

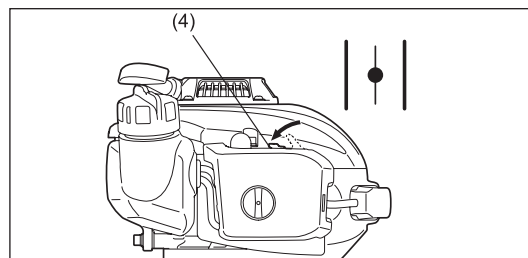
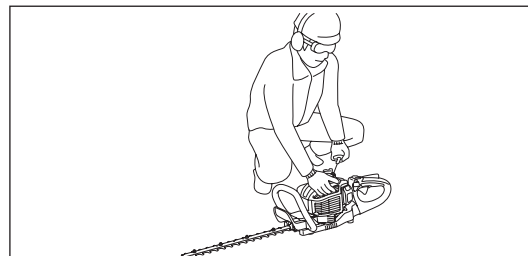
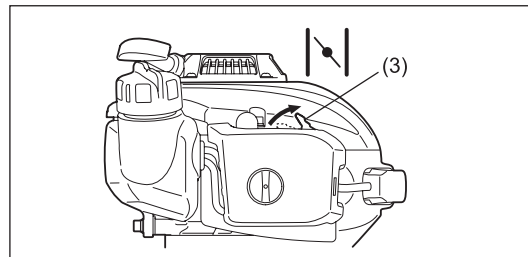
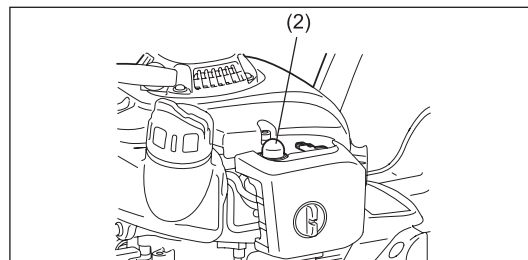
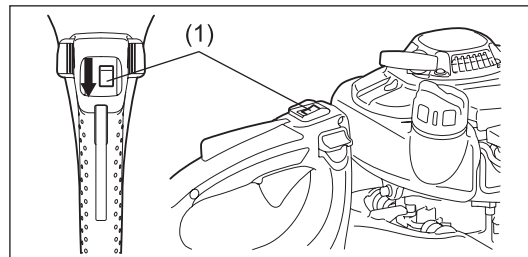
1. Portare l'interruttore di avviamento e arresto (1) in posizione "I".
2. Premere delicatamente la pompa manuale (2) più volte (da 7 a 10) fin quando il carburante inizia a fluire al suo interno.
3. Portare la levetta dell'aria (3) in posizione "↖".
4. Tenere saldamente il tagliaiepi rivolto verso il basso in modo da mantenerne il controllo durante l'avviamento manuale del motore. In caso contrario potrebbero verificarsi lesioni gravi e/o danneggiamenti alla proprietà, a causa di cadute o contatto con la lama di taglio.
5. Tirare lentamente la maniglia di avviamento per 10 - 15 cm, fino ad avvertire una resistenza.
6. Tirare quindi con forza la maniglia di avviamento e avviare il motore.
7. Se il motore si avvia o scoppietta e si arresta, riportare la levetta dell'aria (4) su "↕".
8. Lasciare girare il motore per circa un minuto a velocità moderata prima di accelerare a fondo.

Nota:

- Se la maniglia di avviamento viene tirata ripetutamente quando la levetta dell'aria rimane nella posizione "↖", il motore non potrà essere avviato facilmente a causa di un'immissione di carburante eccessiva.
- In caso di eccessivo afflusso di carburante, rimuovere la candela e tirare lentamente la maniglia di avviamento per eliminare il carburante in eccesso. Asciugare inoltre l'elettrodo della candela.

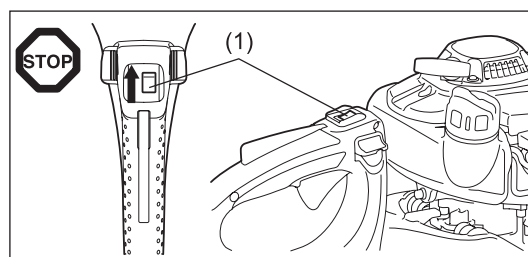
Avviamento a caldo: (riavvio subito dopo l'arresto del motore) Per riavviare il motore ancora caldo, provare dapprima con la procedura precedente: 1, 2, 4, 5, 6 con la levetta dell'aria (4) su "↕". Se il motore non si avvia, ripetere i passaggi precedenti da 1 a 8.

Nota: Evitare di tirare la corda di avviamento fino in fondo e di lasciar riavvolgere senza controllo la maniglia di avviamento, assicurando invece un riavvolgimento lento.



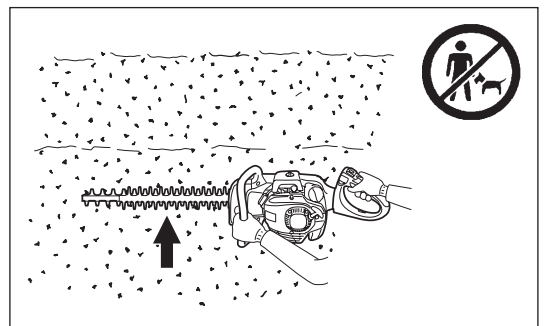
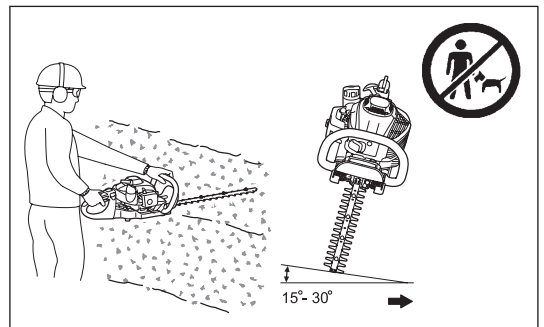
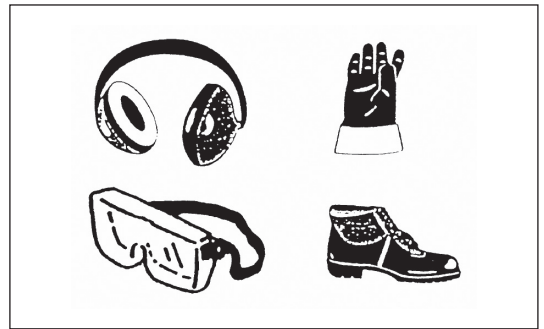
ARRESTO DELL'UTENSILE

1. Rilasciare completamente la leva dell'acceleratore.
2. Portare l'interruttore di avviamento e arresto (1) in posizione "O". Il motore rallenterà fino a fermarsi.



FUNZIONAMENTO DELL'UTENSILE

- Non usare mai il tagliaiepi senza una presa salda su di esso.
- Non toccare mai le lame di taglio all'avvio del motore e durante il funzionamento.
- Usare il tagliaiepi in modo da evitare di inalare i gas di scarico. Non azionare mai il motore in luoghi chiusi (pericolo di avvelenamento da gas). Il monossido di carbonio è un gas inodore.
- Durante l'uso devono essere utilizzati tutti i dispositivi protettivi, come il coprilama, forniti con l'utensile.
- Non azionare mai il motore se il tubo di scarico è difettoso o assente.
- Usare il tagliaiepi solo in buone condizioni di luce e visibilità.
- Durante la stagione invernale fare attenzione alle zone umide o scivolose, a neve e ghiaccio (rischio di scivolamento). Assicurarsi sempre di avere una buona presa a terra.
- Non utilizzare mai il tagliaiepi mentre ci si trova su una scala. Tenere entrambi i piedi a terra.
- Non arrampicarsi mai sugli alberi per eseguire operazioni di taglio con il tagliaiepi.
- Non lavorare mai su superfici instabili.
- Rimuovere sabbia, pietre, chiodi, fili metallici e oggetti simili dalla zona di lavoro. I corpi estranei possono danneggiare le lame di taglio.
- Prima di eseguire operazioni di taglio con l'utensile, tagliare i rami di 8 mm o più di spessore con forbici per potatura.
- Prima di iniziare il taglio, le lame di taglio devono aver raggiunto la piena velocità operativa.
- Tenere sempre saldamente il tagliaiepi con entrambe le mani sulle impugnature.
- La presa deve essere salda, con i pollici e le altre dita stretti intorno alle impugnature.
- Dopo aver rilasciato l'acceleratore, è necessario attendere alcuni istanti prima che le lame di taglio si arrestino.
- Non usare il tagliaiepi con il motore al minimo veloce. Non è possibile regolare la velocità di taglio con il comando dell'acceleratore se la velocità al minimo è troppo alta.
- Durante le operazioni di taglio, tenere il tagliaiepi in modo che le lame formino un angolo di 15-30° con la linea di taglio.
- Prestare particolare attenzione durante il taglio di siepi collocate vicino o a ridosso di recinzioni metalliche.
- Le lame di taglio non devono venire in contatto con corpi duri quali recinzioni metalliche, pietre o con il terreno. Le lame potrebbero incrinarsi, scheggiarsi o rompersi.
- Nel caso in cui le lame di taglio urtino pietre o altri oggetti duri, spegnere immediatamente il motore e ispezionare le lame di taglio per verificare che non siano rimaste danneggiate. Nel caso in cui le lame siano danneggiate, sostituirle prima di riprendere il lavoro.
- Fare delle pause regolari. Makita raccomanda di riposare per 10-20 minuti ogni 50 minuti di utilizzo.
- In caso di qualsiasi problema al motore, spegnerlo immediatamente.
- Utilizzare il tagliaiepi limitando al massimo il rumore e l'inquinamento. In particolare, verificare la corretta impostazione del carburatore e il rapporto carburante/olio.
- Non cercare mai di rimuovere il materiale di taglio rimasto incastrato mentre le lame sono in funzione. Abbassare l'unità e spegnerla prima di rimuovere il materiale di taglio.



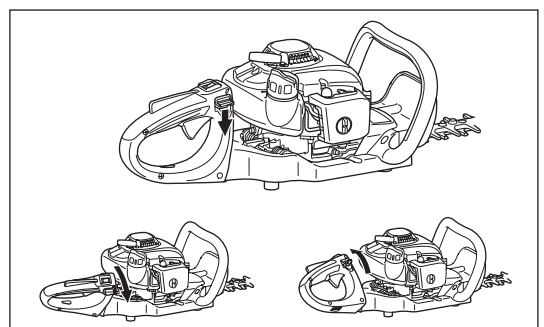
REGOLAZIONE DELL'ANGOLAZIONE DELL'IMPUGNATURA POSTERIORE

L'impugnatura posteriore può essere abbassata di 90° verso sinistra o verso destra e impostata quindi ad angolazioni di 45°.

Per modificare l'angolazione:

1. Premere la leva di rilascio per sbloccare l'impugnatura.
2. Girare l'impugnatura portandola a un'angolazione di 0°, 45° o 90°.
3. Assicurarsi che la leva di rilascio torni alla sua posizione originale per bloccare di nuovo l'impugnatura.

Non tirare la leva dell'acceleratore mentre l'impugnatura è sbloccata.
Non sbloccare l'impugnatura mentre il tagliaiepi è in funzione.



ISTRUZIONI PER LA MANUTENZIONE

- Per pulire, sostituire o affilare le lame di taglio o per qualsiasi intervento di manutenzione, spegnere il motore e rimuovere il cavo della candela.
- Non raddrizzare né saldare le lame di taglio danneggiate.
- Ispezionare frequentemente le lame di taglio a motore spento per verificarne l'integrità.
- Mantenere affilate le lame di taglio.
- Pulire regolarmente il tagliaerba e verificare che tutte le viti e i dadi siano ben stretti.
- Non eseguire mai la manutenzione del tagliaerba in prossimità di fiamme libere, per prevenire il rischio di incendi.
- Indossare sempre guanti di cuoio quando si prendono in mano o si affilano le lame: sono molto affilate.

Affilatura delle lame

Se i bordi sono arrotondati e non tagliano più efficacemente, affilare solo le parti ombreggiate indicate in figura. Non affilare le superfici di contatto (superfici scorrevoli) sui bordi superiore e inferiore.

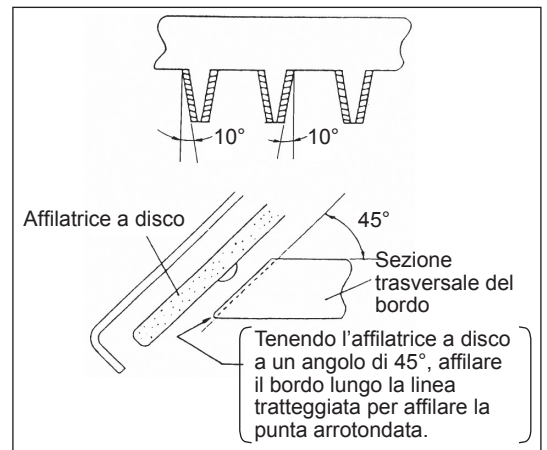
- Prima di eseguire l'affilatura, assicurarsi di aver fissato saldamente la lama, di aver spento il motore e di aver rimosso il tappo della candela.
- Indossare guanti, occhiali di protezione, ecc.
- Evitare di rimuovere troppo materiale. In caso contrario la lama perderebbe il suo strato temprato, arrotondandosi e smussandosi molto rapidamente con l'uso.



Regolazione del gioco delle lame

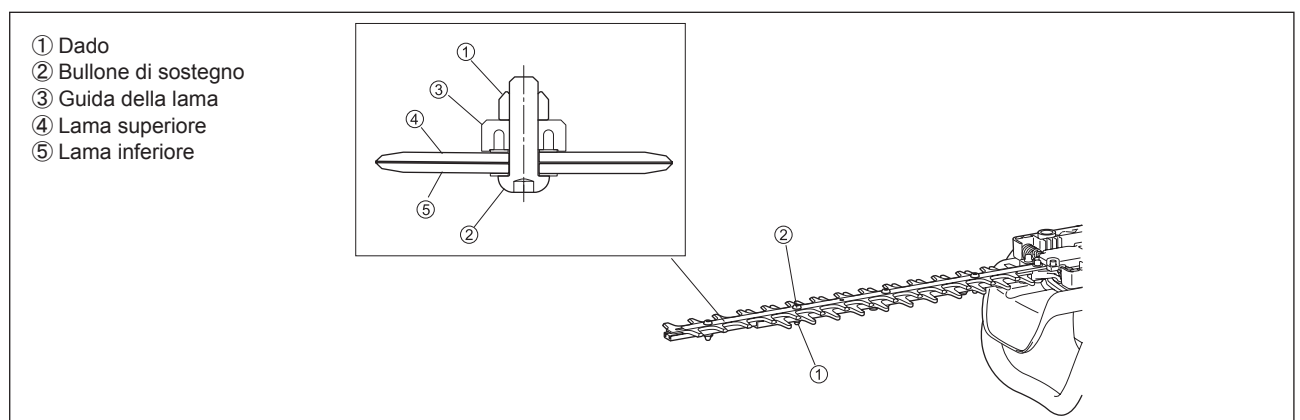
Le lame superiore e inferiore si usurano. Se non si riesce a ottenere un taglio netto nonostante le lame siano abbastanza affilate, regolare il gioco delle lame come di seguito indicato.

1. Rimuovere la prolunga smussata allentando le viti.
2. Allentare il dado (1) con una chiave a stella o una chiave a bocca.
3. Avvitare leggermente il bullone di sostegno (2) con una brugola fin quando smette di girare, quindi svitarlo di un quarto.
4. Stringere il dado (1), tenendo fermo il bullone di sostegno (2).
5. Lubrificare le lame sulle superfici di frizione con dell'olio leggero.
6. Avviare il motore, quindi azionare e disattivare l'acceleratore per un minuto.
7. Misurare il tempo necessario per l'arresto delle lame dopo la disattivazione dell'acceleratore.
8. Arrestare il motore e toccare la superficie delle lame. Se passano due o più secondi, arrestare il motore e ripetere i passaggi da 2 a 7. Se sono calde ma possono essere tenute in mano, vuol dire che la regolazione è corretta. Se scottano troppo per poter essere tenute in mano, girare leggermente in senso contrario il bullone di sostegno (2) e ripetere i passaggi da 6 a 8.
9. Fissare la prolunga smussata stringendo le viti.



NOTA: Prima di effettuare la regolazione, spegnere il motore e attendere l'arresto delle lame.

Le lame presentano una fessura intorno alla vite (2). Se si nota della polvere all'estremità di una delle fessure, rimuoverla.



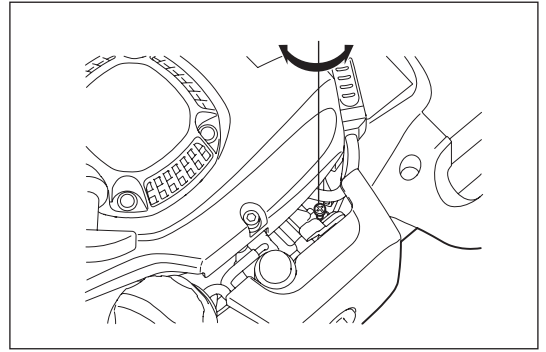
Controllo e regolazione della velocità minima

Le lame di taglio non devono girare quando il motore è al minimo.

- Impostare la velocità minima su 3.000 min⁻¹ (giri/min.).
- Se necessario, regolare la vite del minimo (le lame di taglio non devono girare quando il motore è al minimo).
 - Le lame di taglio girano al minimo: girare la vite del minimo in senso antiorario per diminuire la velocità al minimo.
 - Il motore si arresta quando è al minimo: girare la vite del minimo in senso orario per aumentare la velocità al minimo.

Se dopo la regolazione le lame di taglio girano ancora al minimo, rivolgersi al centro assistenza autorizzato di zona.

- La frizione deve ingranare a un minimo di 3.750 min⁻¹ (giri/min.).
- Controllare che l'interruttore di avviamento e arresto, la leva di sicurezza e la leva dell'acceleratore funzionino correttamente.



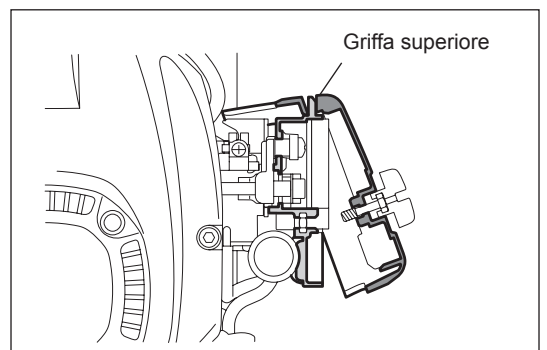
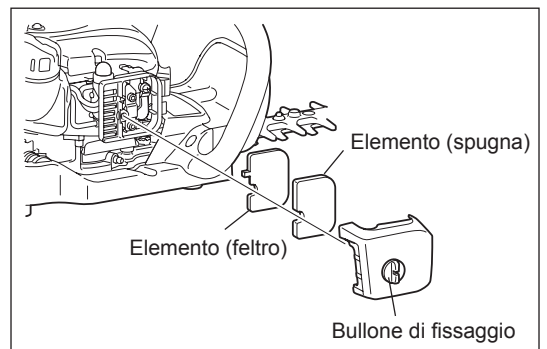
Pulizia del filtro dell'aria



PERICOLO: Divieto di utilizzo di infiammabili

Controllare e pulire il filtro dell'aria ogni giorno oppure ogni 10 ore di utilizzo.

- Ruotare la levetta dell'aria in modo che sia completamente chiusa e tenere il carburatore lontano da polvere e sporcizia.
- Allentare il bullone di fissaggio.
- Tirare il lato posteriore del coperchio del filtro dell'aria e spostarlo in avanti per rimuoverlo.
- Se l'olio dovesse aderire all'elemento (spugna), spremerlo con forza.
- In caso di grave contaminazione:
 - 1) Rimuovere l'elemento (spugna), immergerlo in acqua calda o in acqua contenente sapone neutro e lasciarlo asciugare completamente.
 - 2) Pulire l'elemento (feltro) con della benzina e lasciarlo asciugare completamente.
- Prima di applicare gli elementi, lasciarli asciugare completamente. Un'asciugatura insufficiente degli elementi può comportare difficoltà nell'avviamento.
- Rimuovere con uno straccio l'olio rimasto intorno al filtro dell'aria.
- Al termine della pulizia, riapplicare subito il coperchio del filtro e serrarlo con i bulloni di fissaggio. (Ricollocare prima la griffa superiore.)



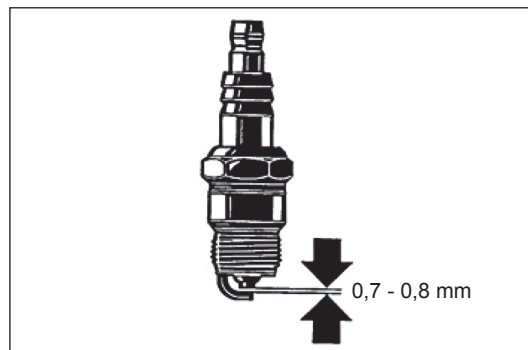
Informazioni utili per il trattamento degli elementi del filtro dell'aria

- Pulire gli elementi più volte al giorno se la polvere è eccessiva.
- Se l'utilizzo continua senza che l'olio venga rimosso dagli elementi, l'olio all'interno del filtro dell'aria può fuoriuscire, provocando una contaminazione dell'olio.

Controllo della candela

Controllare e pulire la candela ogni giorno oppure ogni 8 ore di utilizzo.

- Per rimuovere o installare la candela usare solo la chiave universale in dotazione.
- La distanza tra i due elettrodi della candela deve essere di 0,7-0,8 mm. Se la distanza è troppo grande o troppo piccola, regolarla. Se la candela è ostruita da depositi di carbonio o sporca, pulirla accuratamente o sostituirla. La candela di ricambio deve essere uguale a quella originale.



Ingrassaggio e lubrificazione

- Applicare del grasso sul punto d'ingrassaggio ogni 50 ore di funzionamento (Shell Alvania n. 3 o equivalente).

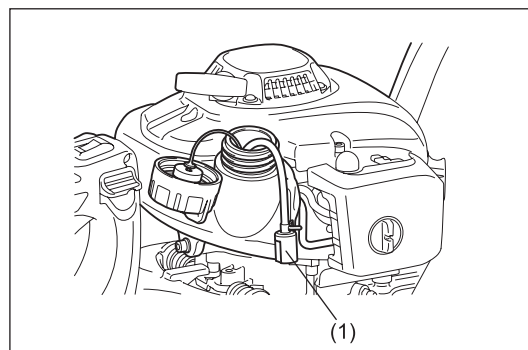
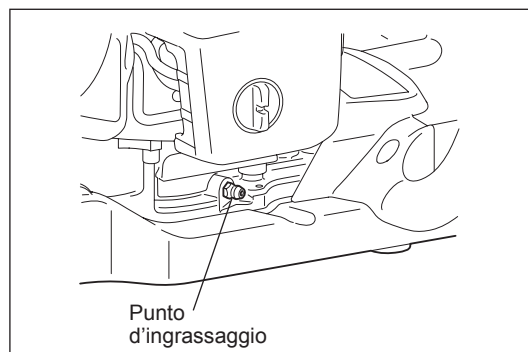
NOTA: Assicurarsi di eseguire l'ingrassaggio secondo gli intervalli e le dosi specificati.
Se la quantità di grasso applicata non è sufficiente, l'utensile potrebbe andare incontro a malfunzionamenti.

Pulizia del filtro del carburante (testina aspirante nel serbatoio del carburante)

AVVERTENZA: Divieto di utilizzo di infiammabili

Controllare e pulire il filtro del carburante ogni mese oppure ogni 50 ore di utilizzo.

- Il filtro di feltro (1) della testina aspirante è utilizzato per filtrare il carburante richiesto dal carburatore.
- Ispezionare visivamente il filtro di feltro a intervalli regolari.
- Per controllare il filtro di feltro, aprire il tappo del serbatoio e, usando un gancio metallico, estrarre la testina aspirante attraverso l'apertura. Sostituire il filtro di feltro se risulta indurito, contaminato oppure ostruito.
- Sostituire il filtro di feltro almeno una volta ogni tre mesi, per garantire al carburatore un'erogazione sufficiente di carburante. Altrimenti, un afflusso insufficiente di carburante potrebbe impedire l'avviamento del motore e limitare la velocità massima.



Sostituzione del tubo del carburante

ATTENZIONE: Divieto di utilizzo di infiammabili

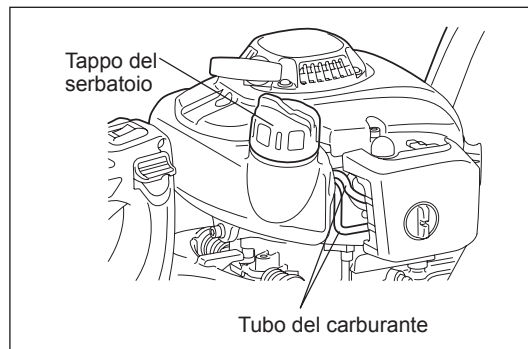
Controllare e pulire il tubo del carburante ogni giorno oppure ogni 10 ore di utilizzo.

Sostituire il tubo del carburante ogni 200 ore di utilizzo oppure una volta all'anno, a prescindere dalla frequenza di utilizzo. In caso contrario, le perdite di carburante potrebbero provocare incendi.

Se vengono rilevate perdite durante l'ispezione, sostituire immediatamente il tubo dell'olio.

Sostituzione del tappo del serbatoio

- Se il tappo del serbatoio presenta danni o difetti, sostituirlo.
- Il tappo del serbatoio è soggetto a usura con il passare del tempo. Sostituirlo ogni due o tre anni.



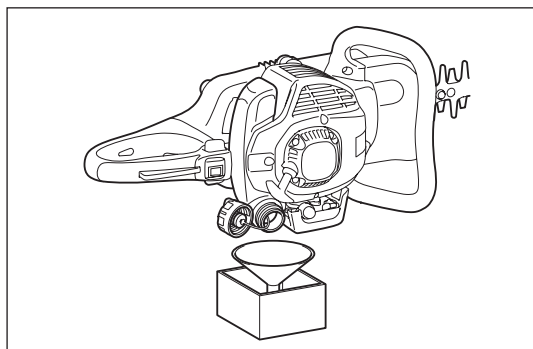
Per qualsiasi intervento di manutenzione o regolazione non descritto in questo manuale, rivolgersi al centro assistenza autorizzato Makita di zona.

Controllo e manutenzione giornalieri

Per garantire una lunga durata ed evitare danni all'utensile, effettuare periodicamente le seguenti operazioni di manutenzione.

- Prima dell'uso;
 - Controllare l'utensile alla ricerca di viti allentate o parti mancanti. Prestare particolare attenzione al serraggio delle viti delle lame di taglio.
 - Controllare sempre le alette del cilindro e che il passaggio dell'aria di raffreddamento non sia ostruito. Effettuare la pulizia, se necessario.
 - Pulire e controllare il serbatoio del carburante alla ricerca di perdite di carburante o oggetti estranei nel serbatoio.
- Dopo l'uso;
 - Pulire esternamente il tagliasiipi e ispezionarne l'integrità.
 - Pulire il filtro dell'aria. Se l'uso avviene in ambienti particolarmente polverosi, pulire il filtro più volte al giorno.
 - Controllare l'integrità delle lame e verificare che siano montate saldamente.

CONSERVAZIONE



- Se l'utensile viene riposto per periodi di tempo prolungati, rimuovere tutto il carburante dal serbatoio e dal carburatore come di seguito indicato: Rimuovere tutto il carburante dal serbatoio.
- Rimuovere la candela e aggiungere alcune gocce d'olio nel foro della candela. Quindi tirare delicatamente l'avviamento in modo da verificare che l'olio ricopra l'interno del motore, e riavvitare la candela.
- Rimuovere polvere e sporcizia dalla lama di taglio e all'esterno del motore, utilizzando un panno immerso nell'olio. Riporre l'utensile in un luogo quanto più asciutto possibile.

SCHEMA DELLE OPERAZIONI DI MANUTENZIONE

Dopo ogni rifornimento	Leva dell'acceleratore Interruttore di avviamento e arresto	Controllo del funzionamento Controllo del funzionamento
Prima di ogni uso	Assemblaggio del motore, viti e dadi Filtro dell'aria Condotto dell'aria di raffreddamento Utensile da taglio Velocità al minimo serbatoio del carburante	Ispezione visiva di eventuali danneggiamenti e del serraggio Controllo delle condizioni generali e della sicurezza Pulizia Pulizia Controllare danni e affilatura Ispezione (l'utensile da taglio non si deve muovere) Controllare e pulire
Ogni 50 ore	Scatola degli ingranaggi	Ingrassaggio
Ogni settimana	Candela	Ispezione, sostituire se necessario
Ogni anno	Tubo del carburante	Sostituire
Ogni due anni	Tappo del serbatoio	Sostituire
Prima di riporre l'utensile per lungo tempo	Serbatoio del carburante Carburatore Testina aspirante	Svuotare e pulire Tenere acceso fino a che il motore esaurisce il carburante Sostituire

INDIVIDUAZIONE DEI GUASTI

Problema	Sistema	Osservazione	Causa
Il motore non si avvia o si avvia con difficoltà	Sistema di accensione	La scintilla di accensione è presente	Problema nel sistema di alimentazione del carburante o nel sistema di compressione, difetto meccanico
		Nessuna scintilla di accensione	Azionamento dell'Interruttore di avviamento e arresto, problema di cavi o corto circuito, candela o cavo della candela difettosi, modulo di accensione guasto
	Alimentazione del carburante	Il serbatoio contiene carburante	Levetta dell'aria in posizione non corretta, carburatore difettoso, testina aspirante (filtro della linea del gas) sporca, linea di alimentazione del carburante piegata o interrotta
		Compressione	Interno del motore
	Esterno del motore		Chiusura della candela non corretta
Problemi nell'avviamento a caldo	Guasto meccanico	L'avviamento non funziona	Molla dell'avviamento rotta, parti danneggiate all'interno del motore
		Scintilla di accensione con serbatoio pieno presente	Carburatore contaminato, richiederne la pulizia
Il motore parte ma si spegne immediatamente	Alimentazione del carburante	Il serbatoio contiene carburante	Regolazione del minimo non corretta, testina aspirante o carburatore contaminati
			Apertura del serbatoio del carburante difettosa, linea di alimentazione del carburante interrotta, cavo o interruttore di avviamento e arresto difettosi
Prestazioni insufficienti	Possono essere interessati contemporaneamente più sistemi	Motore al minimo	Filtro dell'aria sporco, carburatore sporco, tubo di scarico otturato, condotto di scarico del cilindro otturato

Hartelijk dank voor uw keuze voor deze heggenschaar van MAKITA. Met trots kunnen wij u deze heggenschaar van MAKITA aanbieden als resultaat van een langdurig ontwikkelingsprogramma en jarenlange kennis en ervaring.

De heggenschaarmodellen EH5000W, EH6000W en EH7500W combineren de voordelen van uiterst moderne technologie met een ergonomisch ontwerp. Ze zijn licht van gewicht, handig in gebruik, compact vormgegeven en professionele stukken gereedschap geschikt voor vele verschillende toepassingen.

U dient deze gebruiksaanwijzing, met daarin beschrijvingen van de diverse punten die de uitstekende prestaties aantonen, te lezen, te begrijpen en u eraan te houden. Hierdoor bent u in staat de best mogelijke resultaten te behalen die de heggenscharen van MAKITA u kunnen bieden.



Inhoud	Pagina
Symbolen.....	59
Veiligheidsinstructies	60
Technische gegevens	63
Namen van onderdelen	64
Brandstof en bijvullen	65
Voorzorgsmaatregelen vóór het starten	66
De motor starten.....	67
De motor uitschakelen.....	67
Het gereedschap bedienen	68
De hoek van de achterhandgreep instellen	68
Onderhoud.....	69
Opslag	72
Onderhoudsschema	72
Storingzoeken.....	72

SYMBOLEN

Het is erg belangrijk dat u de volgende symbolen begrijpt wanneer u de gebruiksaanwijzing leest.

	WAARSCHUWING/GEVAAR		Benzine-oliemengsel
	Lees, begrijp en houdt u aan Gebruiksaanwijzing		Motor handmatig starten
	Verboden		Noodstop
	Verboden te roken		EHBO
	Geen open vuur		Recyclen
	Veiligheidshandschoenen vereist		
	Houd mensen en huisdieren weg van het werkgebied		AAN/START
	Draag oog- en gehoorbescherming		UIT/STOP
			CE-symbool

VEILIGHEIDSINSTRUCTIES

Algemene instructies

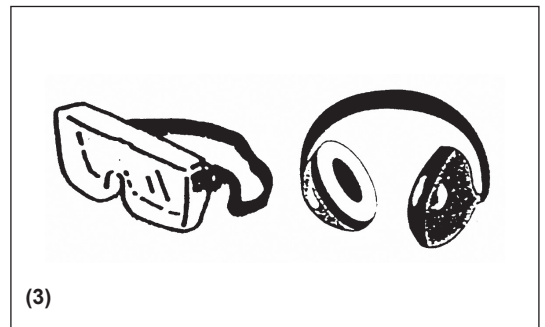
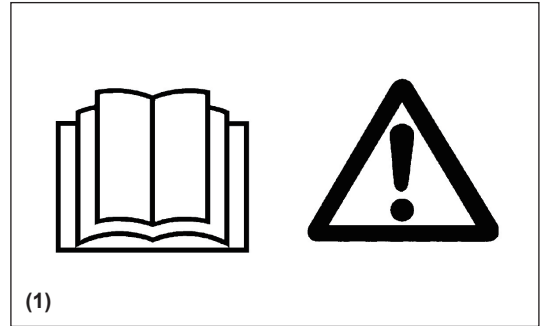
- DIT GEREEDSCHAP KAN ERNSTIG LETSEL VEROORZAKEN. Lees de instructies zorgvuldig door zodat u het gereedschap op de juiste manier kunt behandelen, voorbereiden, onderhouden, starten en stoppen. Zorg dat u vertrouwd bent met de bedieningsknoppen en de juiste omgang met het gereedschap (1).
- Het verdient aanbeveling de heggenschaar uitsluitend uit te lenen aan mensen die bewezen hebben ervaren te zijn met het gebruik van een heggenschaar. Geef altijd de gebruiksaanwijzing mee.
- Beginnende gebruikers dienen de dealer om basisinstructies te vragen om zichzelf bekend te maken met het omgaan met een motoraangedreven heggenschaar.
- Laat geen kinderen of jonge mensen die jonger zijn dan 18 jaar met de heggenschaar werken. Jongeren die ouder zijn dan 16 jaar mogen echter het gereedschap gebruiken om te oefenen, maar alleen onder toezicht van een gekwalificeerde begeleider.
- Gebruik de heggenschaar met de hoogstmogelijke zorg en aandacht.
- Gebruik de heggenschaar alleen als u in goede lichamelijke conditie bent. Werk altijd rustig en voorzichtig. De gebruiker is aansprakelijk ten opzichte van anderen.
- Gebruik nooit de heggenschaar nadat u alcohol of geneesmiddelen hebt gebruikt of als u zich moe of ziek voelt (2).

Bedoeld gebruik van het gereedschap

- De heggenschaar is uitsluitend bedoeld voor het snoeien van struiken en hagen, en mag niet worden gebruikt voor enig andere doel. Behandel de heggenschaar voorzichtig.

Persoonlijke-veiligheidsuitrusting

- De te dragen kleding dient functioneel en geschikt te zijn, d.w.z. nauwsluitend zonder te hinderen. Draag geen juwelen of losse kleding die zich kunnen vasthaken aan struiken en takken of het gereedschap.
- Om letsels aan ogen, handen of voeten te voorkomen en uw gehoor te beschermen, moeten de volgende veiligheidsuitrusting en beschermende kleding worden gedragen tijdens het gebruik van de heggenschaar.
- Draag altijd een veiligheidsbril of een spatscherm wanneer u de heggenschaar gebruikt om oogletsel te voorkomen (3).
- Draag geschikte uitrusting om u te beschermen tegen het lawaai en gehoorbeschadiging te voorkomen: oorbeschermers, oordopjes, enz. (3).
- Wij raden u sterk aan een wercoverall te dragen (4).
- Speciale handschoenen van dik leer maken deel uit van de voorgeschreven uitrusting en moeten altijd worden gedragen tijdens het gebruik van de heggenschaar (4).
- Draag altijd stevige schoenen met een antislipzool tijdens het gebruik van de heggenschaar. Dit beschermt u tegen letsel en garandeert dat u stevig staat (4).



De heggenchaar starten

- Controleer of er geen kinderen of andere mensen aanwezig zijn binnen een werkbereik van 15 meter (5) en let ook op of er geen dieren in de werkomgeving zijn.
- Controleer voor gebruik altijd of de heggenchaar veilig is om te gebruiken.
- Controleer de juiste werking van de gashendel. De gashendel moet worden gecontroleerd op soepele werking en gemakkelijke bediening. Controleer de juiste werking van de gashendelvergrendeling. Controleer of de handgrepen schoon en droog zijn en test de werking van de I-O-schakelaar. Voorkom dat olie of brandstof op de handgrepen komt.

Start de heggenchaar alleen op de manier beschreven in de instructies.

Gebruik geen enkele andere methode om de motor te starten (6)!

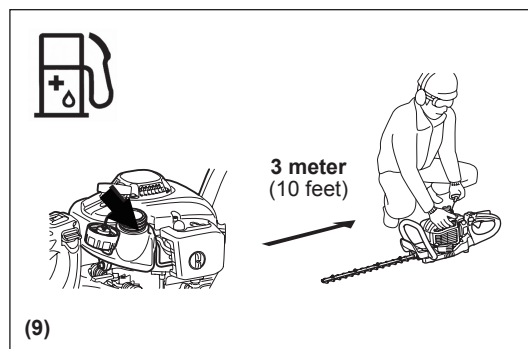
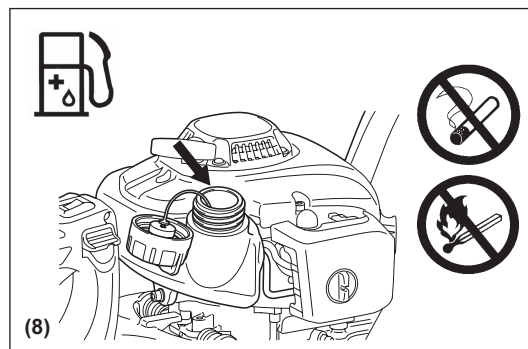
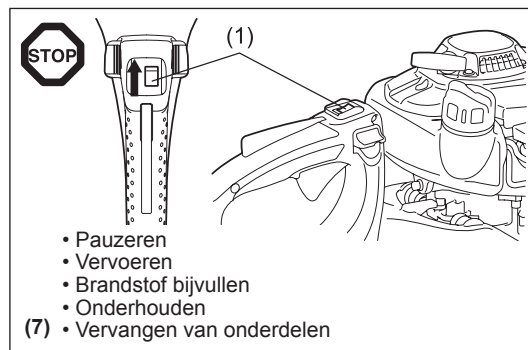
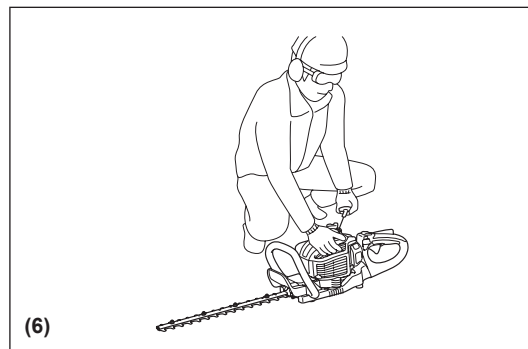
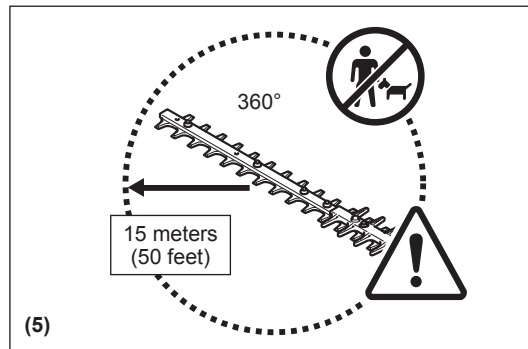
- Gebruik de heggenchaar uitsluitend voor de beschreven toepassingen.
- Start de motor van de heggenchaar alleen nadat deze volledig is gemonteerd. De heggenchaar mag uitsluitend worden gebruikt nadat alle toepasselijke toebehoren zijn gemonteerd!
- Alvorens de motor te starten, controleert u of de messenbladen geen voorwerpen raken, zoals takken, stenen, enz.
- Schakel de motor onmiddellijk uit in het geval zich enig motorprobleem voordoet.
- Houd tijdens het gebruik de voor- en achterhandgrepen met beide handen stevig vast door uw vingers rond de handgrepen te vouwen. Houd de handgrepen schoon, droog en vrij van hars, olie en vet.

Zorg er altijd voor dat u stevig staat met goede balans.

- Gebruik uitsluitend buiten.
- Let altijd goed op uw omgeving en wees bedacht op mogelijke gevaren die u mogelijk niet kunt horen vanwege het geluid van het gereedschap.
- Gebruik de heggenchaar zo, dat u geen uitlaatgassen kunt inademen. Laat de motor nooit draaien in een gesloten vertrek (risico van verstikking en gasvergiftiging). Koolmonoxide is een geurloos gas. Zorg altijd voor voldoende ventilatie.
- Schakel de motor uit wanneer u een pauze neemt en wanneer u de heggenchaar onbeheerd achter laat. Leg hem op een veilige plaats om gevaar voor anderen, in brand vliegen van ontvlambare materialen of beschadiging van het gereedschap te voorkomen.
- Leg nooit een warme benzinebosmaaier op droog gras of enige andere ontvlambare materialen.
- Om brandgevaar te beperken moet u de motor en geluiddemper vrij houden van afval, bladeren en overtollig smeermiddel.
- Gebruik het gereedschap nooit met een defecte uitlaatdemper.
- Schakel de motor uit tijdens vervoer (7).
- Schakel de motor uit voordat u:
 - een verstopping opheft;
 - het gereedschap controleert, onderhoudt of ermee werkt.
- Leg de heggenchaar op een veilige plaats neer wanneer u hem per auto of vrachtwagen vervoert om te voorkomen dat er brandstof uit lekt.
- Wanneer u de heggenchaar vervoert, zorgt u ervoor dat de brandstoftank volledig leeg is om te voorkomen dat er brandstof uit lekt.
- Bij het vervoeren of opbergen van het gereedschap moet altijd de beschermstrip om de messenbladen worden gedaan.

Brandstof bijvullen

- Schakel de motor uit voordat u brandstof bijvult (7), blijf ver uit de buurt van open vuur (8) en rook niet.
- Nooit brandstof bijvullen bij een warme of draaiende motor.
- Vermijd huidcontact met brandstoffen. Adem de brandstofdampen niet in. Draag altijd veiligheidshandschoenen tijdens het bijvullen van de brandstof. Zorg dat u de beschermende kleding regelmatig vervangt en reinigt.
- Wees voorzichtig geen brandstof of olie te morsen om bodemvervuiling te voorkomen (milieubescherming). Veeg de heggenchaar onmiddellijk schoon nadat brandstof erop is gemorst. Droog de doek waarmee de brandstof is afgeveegd in een goed geventileerde ruimte voordat u deze weggooit. Als u dat niet doet, kan spontane ontbranding optreden.
- Vermijd dat brandstof in aanraking komt met uw kleding. Trek onmiddellijk andere kleding aan als brandstof op uw kleding is gemorst (gevaarlijke situatie).
- Inspecteer de brandstofvuldop regelmatig en controleer of deze stevig vastgedraaid zit.
- Draai de brandstofvuldop stevig vast. Verplaats het gereedschap voordat u de motor start (tenminste 3 meter afstand tot de plaats waar brandstof is bijgevuld) (9).
- Vul nooit brandstof bij in een gesloten vertrek. Brandstofdampen verzamelen zich vlak boven de vloer (risico van explosie).
- Vervoer en bewaar brandstoffen alleen in goedgekeurde tanks. Zorg dat de opgeslagen brandstof niet toegankelijk is voor kinderen.
- Bij het mengen van benzine met tweetaktmotorolie, mag u alleen benzine gebruiken waarin geen ethanol of methanol (soorten alcohol) zit. Dit helpt schade aan brandstofleidingen en andere motoronderdelen te voorkomen.



Gebruiksmethode

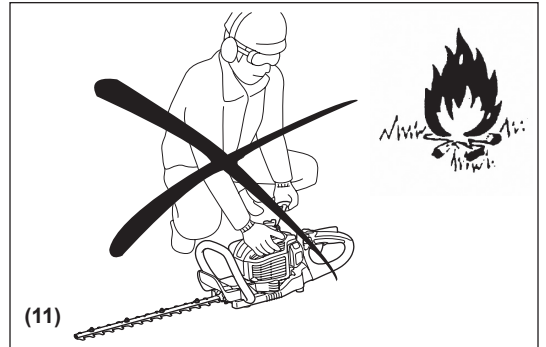
- Houd tijdens het werken altijd met beide handen de handgrepen vast.
- Gebruik de heggenschaar alleen bij goede verlichting en zicht. Wees bij koud weer bedacht op gladde of natte plaatsen, ijs en sneeuw (risico van uitglijden). Zorg er altijd voor dat u stevig staat.
- Werk nooit op instabiele plaatsen of een steile ondergrond.
- Sta nooit op een ladder terwijl u de heggenschaar gebruikt.
- Klim nooit in een boom om daar de heggenschaar te gebruiken.
- Om het risico van struikelen en verlies van controle te verkleinen, mag u niet achteruit lopen tijdens het gebruik van het gereedschap.
- Schakel de motor altijd uit voordat u het gereedschap schoonmaakt, onderhoudt of onderdelen vervangt.
- Gebruik de heggenschaar niet wanneer de messenbladen beschadigd of sterk gesleten is.



(10)

Onderhoudsinstructies

- Denk aan uw omgeving. Bedien de heggenschaar met zo weinig mogelijk lawaai en vervuiling. Controleer met name de carburator op een verkeerde afstelling.
- Maak de heggenschaar regelmatig schoon en controleer of alle bouten en moeren stevig zijn vastgedraaid.
- Onderhoud of bewaar de heggenschaar nooit in de buurt van open vuur, vonken, enz. (11).
- Maak de brandstoftank leeg voordat u de heggenschaar opslaat.
- Bewaar de heggenschaar nooit in de buurt van open vuur om brand te voorkomen.
- Bewaar de heggenschaar in een goed geventileerde ruimte op een hoge of afgesloten plaats buiten het bereik van kinderen.
- Probeer niet het gereedschap te repareren, behalve wanneer u vakbekwaam bent dit te doen.



(11)

Houd u aan en volg alle relevante instructies voor het voorkomen van ongevallen die door de veiligheidscommissies van de beroepsverenigingen en door de verzekeringsmaatschappijen zijn uitgegeven. Breng geen wijzigingen aan de heggenschaar aan, omdat hiermee uw veiligheid gevaar loopt.

Het uitvoeren van onderhoud of reparaties door de gebruiker is beperkt tot de activiteiten die in deze gebruiksaanwijzing zijn beschreven. Alle andere werkzaamheden moet worden uitgevoerd door een erkend servicecentrum.

Gebruik uitsluitend originele onderdelen en accessoires die zijn geleverd door een erkend Makita-servicecentrum of de Makita-fabriek.

Het gebruik van niet-goedgekeurde accessoires en gereedschappen leidt tot een verhoogde kans op ongevallen en verwonding. MAKITA accepteert geen enkele aansprakelijkheid voor ongevallen of schade veroorzaakt door het gebruik van niet-goedgekeurde accessoires.

EHBO

Voor het geval zich een ongeval voordoet, zorgt u ervoor dat een goed gevulde EHBO-dood volgens DIN 13164 beschikbaar is in de buurt van de werkplek. Vervang onmiddellijk elk item dat uit de EHBO-does is genomen.

Geef de volgende informatie wanneer u hulp inroept:

- Plaats van het ongeval
- Beschrijving van het ongeval
- Aantal gewonden
- Aard van de verwondingen
- Uw naam



Verpakking

De MAKITA-heggenschaar wordt geleverd in een beschermende kartonnen doos om beschadiging tijdens transport te voorkomen. Karton is een ruw basismateriaal en kan daarom opnieuw worden gebruikt en is geschikt om te recyclen (recyclen papierafval).



EC-VERKLARING VAN CONFORMITEIT

Wij, Makita Corporation, als de verantwoordelijke fabrikant, verklaren dat de volgende Makita-machine(s):

Aanduiding van de machine: Benzineheggschaar
 Modelnr./Type: EH5000W, EH6000W en EH7500W
 Technische gegevens: zie "TECHNISCHE GEGEVENS"

in serie zijn geproduceerd en

Voldoen aan de volgende Europese richtlijn(en):

2000/14/EC en 2006/42/EC

En zijn gefabriceerd in overeenstemming met de volgende norm(en) of genormaliseerde document(en):

EN ISO 10517

De technische documentatie wordt bewaard door onze erkende vertegenwoordiger in Europa, te weten:

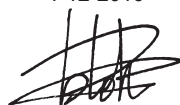
Makita International Europe Ltd.
 Michigan Drive, Tongwell, Milton Keynes, Bucks MK15 8JD, Engeland

De conformiteitsbeoordelingsprocedure vereist door Richtlijn 2000/14/EC was is Overeenstemming met annex V.

Gemeten geluidsvermogniveau: EH5000W 104,0 dB (A), EH6000W 104,2 dB (A), EH7500W 104,8 dB (A)

Gegarandeerd geluidsvermogniveau: Alle modellen 106 dB (A)

1-12-2010

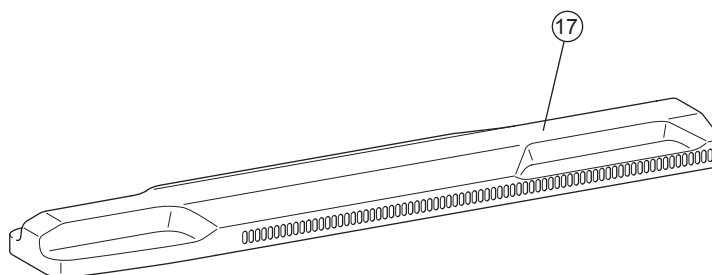
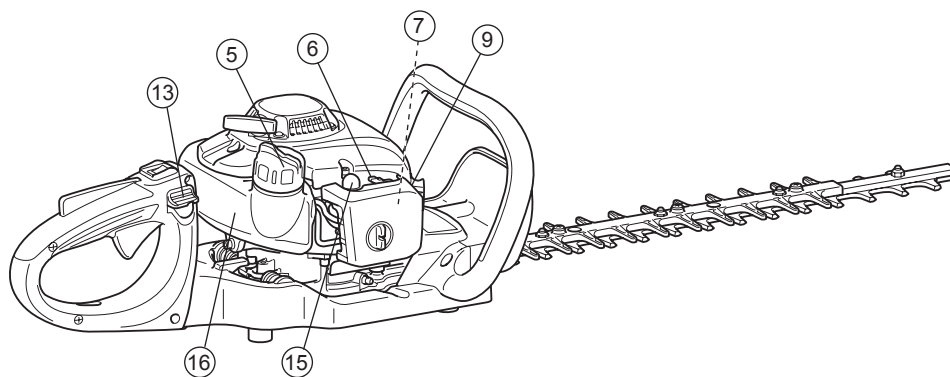
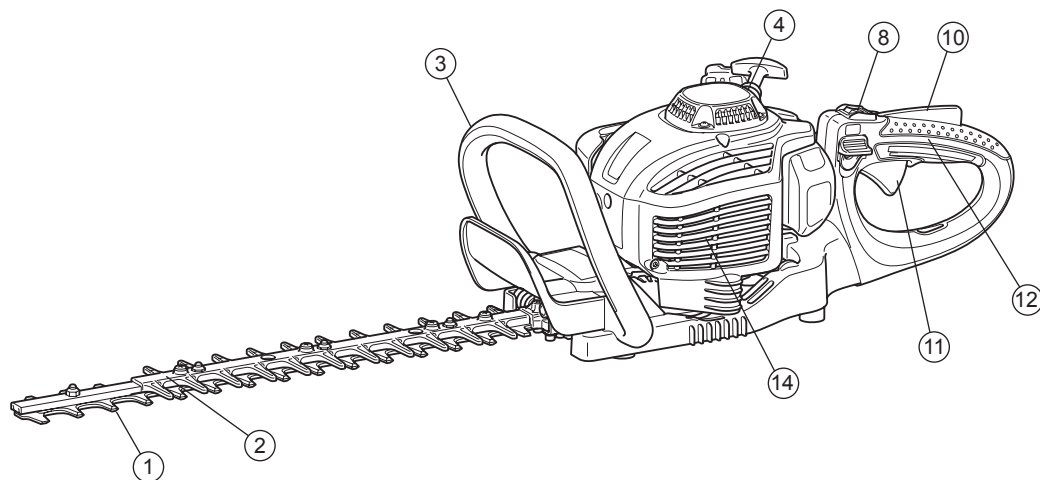


Tomoyasu Kato
 Directeur
 Makita Corporation
 3-11-8, Sumiyoshi-cho,
 Anjo, Aichi, 446-8502, JAPAN

TECHNISCHE GEGEVENS

Model			EH5000W	EH6000W	EH7500W	
Afmetingen (l x b x h)		mm	1.014 x 262 x 216	1.119 x 262 x 216	1.259 x 262 x 216	
Gewicht (zonder schede voor de messenbladen)		kg	4,8	5,0	5,2	
Volume (brandstoftank)		l	0,4			
Cilinderinhoud		cm ³	22,2			
Lengte van messenbladen		mm	483	588	728	
Maximaal motorvermogen		kW	0,68			
Maximaal toerental van messenblad		min ⁻¹	4.270			
Stationair toerental		min ⁻¹	3.000			
Toerental op aangrijppunt van koppeling		min ⁻¹	4.000			
Type carburator		type	WALBRO WYL			
Ontstekingssysteem		type	Transistorontsteking			
Bougie		type	NGK CMR6A			
Elektrodenafstand		mm	0,7 - 0,8			
Trillingen volgens EN ISO 10517	Rechterhandgreep	$a_{hv\ eq}$	m/s ²	2,5	2,7	2,3
		Onzekerheid (K)	m/s ²	1,3	1,1	1,6
	Linkerhandgreep	$a_{hv\ eq}$	m/s ²	2,5	2,8	2,3
		Onzekerheid (K)	m/s ²	1,3	1,1	1,2
Geluid volgens EN ISO 10517	Geluidsdruk niveau	dB (A)	93,0	92,8	93,9	
		Onzekerheid (K)	dB (A)	1,4	2,2	1,2
	Geluidsvermogniveau	dB (A)	103,0	103,2	103,8	
		Onzekerheid (K)	dB (A)	2,1	1,5	1,3
Mengverhouding (brandstof: motorolie)		Originele tweetaktmotorolie van MAKITA		50 : 1		
		Tweetaktmotorolie van andere fabrikant		25 : 1		
Overbrengingsverhouding van tandwielen			9 : 43			

NAMEN VAN ONDERDELEN



	NAMEN VAN ONDERDELEN		NAMEN VAN ONDERDELEN		NAMEN VAN ONDERDELEN
1	Messenblad	7	Carburator (niet afgebeeld)	13	Ontgrendelknop
2	Stompe kant	8	I-O-schakelaar (aan/uit)	14	Uitlaatdemper
3	Voorste handgreep	9	Bougie	15	Brandstofhandpomp
4	Trekstartinrichting	10	Uit-vergrendelhendel	16	Brandstoftank
5	Brandstofvuldop	11	Gashendel	17	Schede
6	Chokehendel	12	Achterste handgreep		

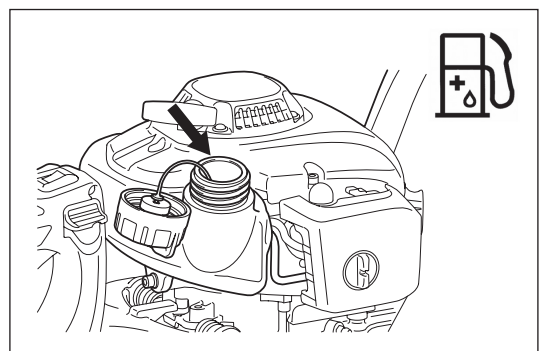
Benzine-oliemengsel

- De motor van de heggenchaar is een zeer efficiënte tweetaktmotor. Hij loopt op een mengsel van benzine en tweetaktmotorolie. De motor is ontwikkeld voor gebruik met loodvrije benzine met een minimaal octaangehalte van 91 ROZ. In het geval dergelijke benzine niet beschikbaar is, mag u benzine met een hoger octaangehalte gebruiken. Hierdoor zal de motor niet worden beschadigd, maar kan wel slechter werken. Een vergelijkbare situatie doet zich voor bij gebruik van loodhoudende benzine. Voor een optimale werking van de motor en om uw gezondheid en het milieu te beschermen, gebruikt u alleen loodvrije benzine!
- Om de motor te smeren gebruikt u een tweetaktmotorolie (kwaliteitsklasse TSC-3) en voegt u deze toe aan de benzine. De motor is ontwikkeld voor gebruik met tweetaktmotorolie van MAKITA, uitsluitend in een mengverhouding van 50:1 ter bescherming van het milieu. Daarnaast wordt een lange levensduur en een betrouwbare werking met een minimale uitstoot aan uitlaatgassen gegarandeerd. Het is van het grootste belang dat u de mengverhouding 50:1 (tweetaktmotorolie van MAKITA) aanhoudt omdat anders de betrouwbare werking van de heggenchaar niet kan worden gegarandeerd.
- De juiste mengverhouding:
Benzine: opgegeven tweetaktmotorolie = 50: 1 of
Benzine: Tweetaktmotorolie van andere fabrikant = 25: 1
aanbevolen.

OPMERKING: Bij het bereiden van het benzine-oliemengsel, mengt u eerst de volledige hoeveelheid olie met de helft van de benodigde hoeveelheid benzine in een goedgekeurde tank die aan alle normen van de plaatselijk geldende regelgeving voldoet of deze overschrijdt. Vul daarna de rest van de benodigde hoeveelheid benzine bij. Schud het mengsel goed voordat u de brandstoftank van de heggenchaar ermee vult. Het is met het oog op de veilige werking onverstandig om meer motorolie toe te voegen dan gespecificeerd is. Dit leidt alleen maar tot een hogere productie van verbrandingsresten die het milieu vervuilen en zowel het uitlaatkanaal in de cilinder als de uitlaatdemper verstoppen. Bovendien zal het brandstofverbruik oplopen en zullen de motorprestaties afnemen.

Omgaan met brandstoffen

Tijdens het omgaan met brandstoffen moet u uiterste voorzichtigheid betrachten. Brandstoffen kunnen stoffen bevatten die ook in oplosmiddelen voorkomen. Vul brandstof bij in een goed geventileerd vertrek of buiten. Adem de brandstofdampen niet in en vermijd dat de benzine of olie in aanraking komt met uw huid. Als uw huid bij herhaling en gedurende een langere tijdsduur in aanraking komt met deze stoffen, zal hij uitdrogen. Dit kan leiden tot diverse huidandoeningen. Daarnaast zijn ook allergische reacties bekend. Uw ogen kunnen geïrriteerd raken door contact met benzine, olie, enz. Als benzine, olie, enz., in uw ogen komt, moet u ze onmiddellijk uitspoelen met schoon water. Als uw ogen nog steeds geïrriteerd zijn, raadpleegt u onmiddellijk een huisarts.



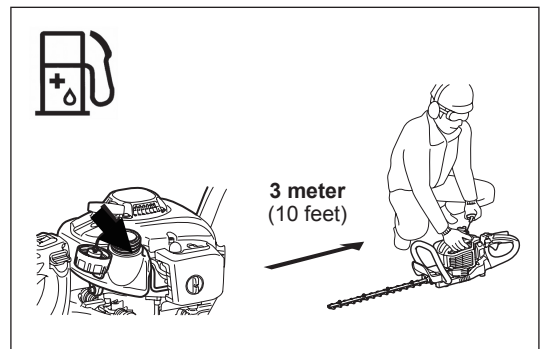
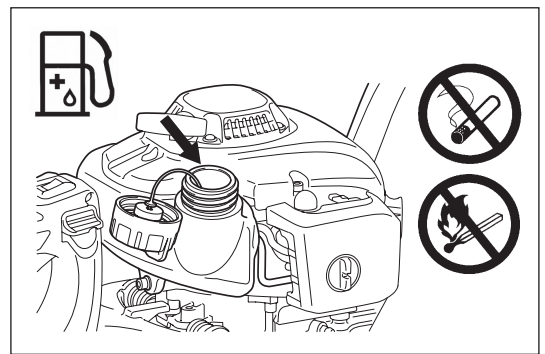
Benzine	Motorolie
50:1	25:1
+	
50:1	
1.000 cm ³ (1 liter) 5.000 cm ³ (5 liter) 10.000 cm ³ (10 liter)	20 cm ³ 40 cm ³ 100 cm ³ 200 cm ³ 200 cm ³ 400 cm ³

Brandstof bijvullen

- De motor moet zijn uitgeschakeld.
- Schakel de motor uit tijdens het bijvullen van brandstof, houd het gereedschap uit de buurt van vuur en rook niet.
- Wees voorzichtig geen brandstof of olie te morsen om bodemvervuiling te voorkomen.
Reinig de heggenschaar onmiddellijk nadat brandstof erop is gemorst.
- Mors geen brandstof op de motor. Veeg onmiddellijk schoon nadat brandstof is gemorst.
- Vermijd dat brandstof in aanraking komt met uw kleding. Kleed u onmiddellijk om als brandstof op uw kleding is gemorst (om te voorkomen dat de kleding vlam vat).
- Inspecteer de brandstofvuldop regelmatig om zeker te zijn dat de dop stevig kan worden aangedraaid en niet lekt.
- Draai de brandstofvuldop stevig vast. Verplaats de heggenschaar voordat u de motor start (tenminste 3 meter afstand tot de plaats waar brandstof is bijgevuld).
- Vul nooit brandstof bij in een gesloten vertrek. Brandstofdampen verzamelen zich vlak boven de grond (risico van explosie).
- Vervoer en bewaar brandstof alleen in goedgekeurde tanks. Zorg dat de opgeslagen brandstof niet toegankelijk is voor kinderen.
- Maak het gebied rondom de brandstofvuldop grondig schoon om te voorkomen dat vuil in de brandstoftank komt.
- Draai de dop los en vul de brandstoftank met brandstof. Gebruik een trechter met zeef om de brandstof te filteren.
- Draai de dop met de hand stevig vast.
- Maak het gebied rondom de dop en de brandstoftank na het bijvullen van brandstof schoon.
- Veeg gemorste brandstof altijd af om brand te voorkomen.

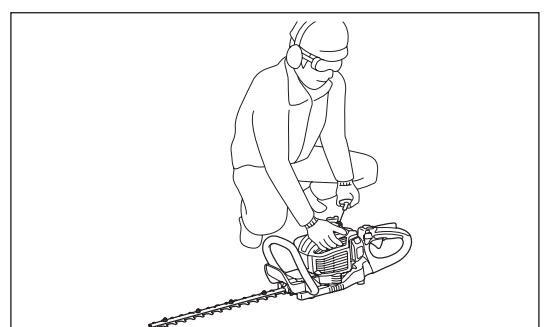
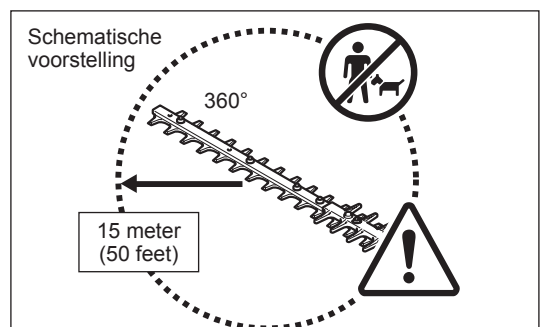
Opslag van brandstof

- Brandstof kan niet gedurende een onbeperkte tijd worden bewaard.
- Koop alleen de hoeveelheid brandstof die u gedurende een periode van 4 weken opgebruikt.
- Gebruik uitsluitend goedgekeurde brandstofopslagtanks.



VOORZORGSMAATREGELEN VÓÓR HET STARTEN

- Zorg ervoor dat geen kinderen of andere personen zich binnen het werkgebied met een bereik van 15 meter bevinden. Let ook op of er geen dieren in de werkomgeving zijn.
- Controleer voor gebruik altijd of de heggenschaar veilig is om te gebruiken. Controleer of de messenbladen niet beschadigd zijn, controleer de gashendel op soepele bediening, en controleer de juiste werking van de I-O-schakelaar. Zorg ervoor dat de messenbladen niet bewegen wanneer de motor stationair draait.
Neem bij twijfel contact op met uw dealer voor afstelling. Controleer of de handgrepen schoon en droog zijn en test de werking van de I-O-schakelaar.
- Start de heggenschaar alleen op de manier beschreven in de instructies. Gebruik geen enkele andere methode om de motor te starten (zie De motor starten).
- Start de motor alleen nadat deze volledig is gemonteerd. De motor mag uitsluitend worden gestart nadat alle toepasselijke toebehoren zijn gemonteerd. Anders bestaat de kans op letsel.
- Alvorens de motor te starten, controleert u of de messenbladen geen voorwerpen raken, zoals takken, stenen, enz.
- Vóór het snoeien, inspecteert u het gebied op draden, snoeren, glas en andere vreemde voorwerpen die in aanraking zouden kunnen komen met de messenbladen.
- Elektrische schokken. Wees u bewust van alle elektriciteitskabels en schrikdraadafrastering. Controleer alle plaatsen op elektriciteitskabels voordat u begint te snoeien.



DE MOTOR STARTEN

Houd tenminste 3 meter afstand tot de plaats waar brandstof is bijgevoerd. Plaats de heggenschaar op een schone ondergrond. Zorg ervoor dat de messenbladen de grond of andere voorwerpen niet raken.

Koud starten: (Wanneer de motor koud is of langer dan 5 minuten geleden is uitgeschakeld, of nadat brandstof is bijgevoerd.)

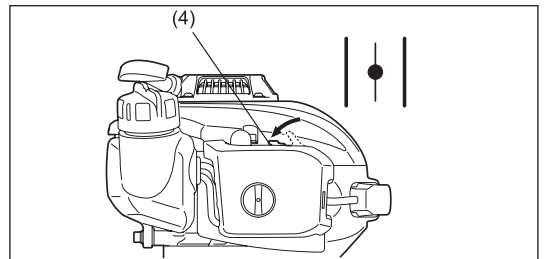
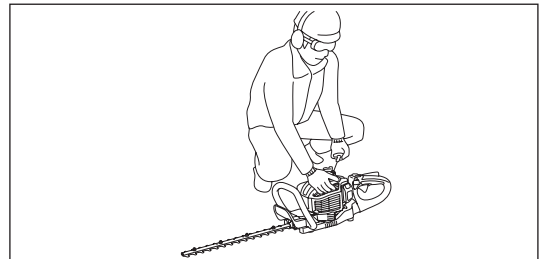
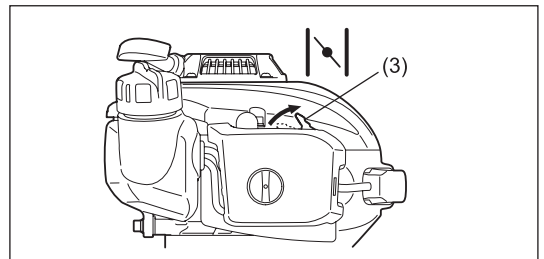
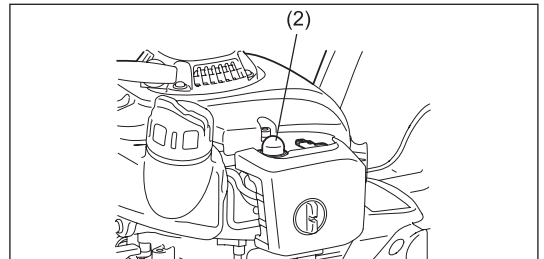
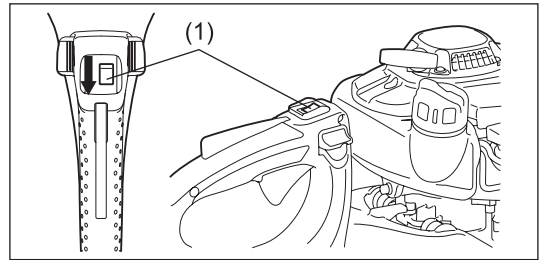
1. Zet de I-O-schakelaar (1) in de stand "I" (aan).
2. Druk meerdere keren (7 tot 10 keer) voorzichtig op de brandstofhandpomp (2) totdat de brandstof in de brandstofhandpomp stroomt.
3. Zet de chokehendel (3) in de stand "I".
4. Houd de heggenschaar stevig op de grond om te voorkomen dat u de controle erover verliest wanneer u de motor aantrekt. Als u dat niet doet kan dat leiden tot ernstig letsel en/of materiële schade als gevolg van vallen of aanraking van de messenbladen.
5. Trek de trekstarthandgreep langzaam 10 tot 15 cm uit tot u weerstand voelt.
6. Trek hard aan de trekstarthandgreep terwijl u de weerstand voelt en start de motor.
7. Nadat de motor is gestart of ploft en afslaat, zet u de chokehendel (4) terug in de stand "I".
8. Laat de motor ongeveer 1 minuut op een matig toerental draaien voordat u versnelt naar volgas.

Opmerking:

- Als herhaaldelijk aan de trekstarthandgreep wordt getrokken terwijl de chokehendel in de stand "I" staat, zal de motor niet gemakkelijk starten vanwege een overmatige brandstoftoevoer.
- In geval van een overmatige brandstoftoevoer, verwijdert u de bougie en trekt u langzaam aan de trekstarthandgreep om overtollige brandstof te verwijderen. Maak ook het elektrodegedeelte van de bougie droog.

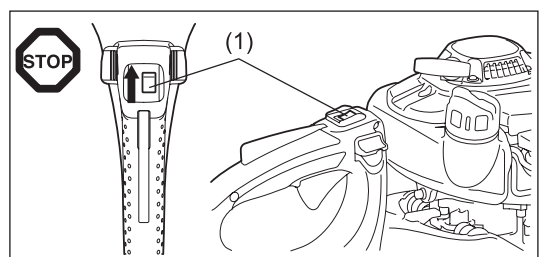
Warm starten: (Opnieuw starten onmiddellijk nadat de motor werd uitgeschakeld.) Probeer eerst een warme motor opnieuw te starten door de bovenstaande procedurestappen 1, 2, 4, 5 en 6 uit te voeren met de chokehendel (4) in de stand "I". Als de motor niet start, herhaalt u de procedurestappen 1 tot en met 8.

Opmerking: Trek het startkoord niet over zijn volledige lengte eruit. Laat de trekstarthandgreep niet ongecontroleerd terugschieten. Zorg ervoor dat het langzaam teruggetrokken wordt.



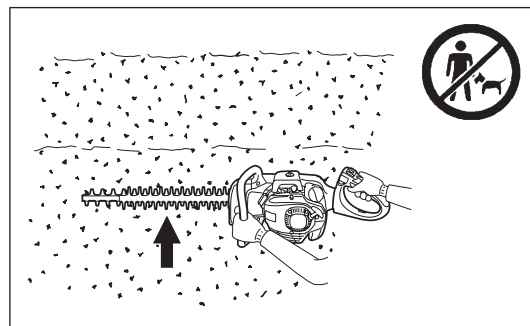
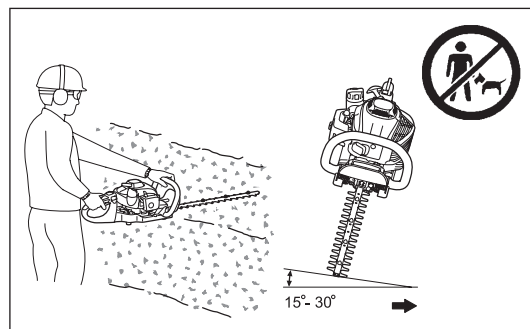
DE MOTOR UITSCHAKELEN

1. Laat de gashendel helemaal los.
2. Zet de I-O-schakelaar (1) in de stand "O" (uit). De motor zal vertragen en stoppen.



HET GEREEDSCHAP BEDIENEN

- Bedien de heggenschaar nooit terwijl u hem losjes vasthoudt.
- Raak nooit de messenbladen aan bij het starten van het gereedschap en tijdens bedrijf.
- Gebruik de heggenschaar zo, dat u geen uitlaatgassen kunt inademen. Laat de motor nooit draaien in een gesloten vertrek (risico van gasvergiftiging). Koolmonoxide is een geurloos gas.
- De volledige veiligheidsuitrusting, zoals een beschermkap die bij het gereedschap wordt geleverd, moeten tijdens het werk worden gebruikt.
- Gebruik de motor nooit als de uitlaatdemper defect is of ontbreekt.
- Gebruik de heggenschaar alleen bij goede verlichting en zicht.
- Wees in de winter bedacht op gladde of natte plaatsen, ijs en sneeuw (risico van uitglijden). Zorg er altijd voor dat u stevig staat.
- Sta nooit op een ladder terwijl u de heggenschaar gebruikt. Houd beide voeten op de grond.
- Klim nooit in een boom om daar de heggenschaar te gebruiken.
- Werk nooit op een instabiele ondergrond.
- Verwijder zand, stenen, spijkers, draad, enz., die u binnen uw werkgebied vindt. Vreemde voorwerpen kunnen de messenbladen beschadigen.
- Voordat u begint te snoeien, knipt u met een snoeischaar de takken van 8 mm en dikker af.
- Voordat u begint te snoeien, moeten de messenbladen op maximaal toerental draaien.
- Houd de heggenschaar altijd met beide handen stevig vast aan de handgrepen.
- Pak de handgreep stevig vast door uw duim en vingers er rondom te vouwen.
- Wanneer u de gashendel loslaat, duurt het enkele momenten voordat het messenblad stopt.
- Bedien de heggenschaar nooit met een verhoogd toerental. U kunt de snoeisnelheid niet regelen met de gashendel als het stationair toerental te hoog is.
- Tijdens het snoeien moet de heggenschaar zodanig worden gehouden dat de messenbladen onder een hoek van 15° tot 30° staan ten opzichte van de snoeilijn.
- Wees met name voorzichtig wanneer u hagen snoeit dichtbij of tegen afrasteringen.
- Zorg ervoor dat de messenbladen geen harde voorwerpen raken, zoals een afrastering, een muur of de grond. Hierdoor kunnen de messenbladen barsten, schilferen of afbreken.
- Als de messenbladen stenen of andere harde voorwerpen raakt, moet u de motor onmiddellijk uitschakelen en de messenbladen controleren op beschadiging. Vervang beschadigde messenbladen voordat u verder gaat met de snoeiwerkzaamheden.
- Neem regelmatig een rustpauze. Makita adviseert om na 50 minuten gebruik een rustpauze van 10 tot 20 minuten te nemen.
- In geval van enige motorproblemen, schakelt u onmiddellijk de motor uit.
- Bedien de heggenschaar met zo weinig mogelijk lawaai en vervuiling. Controleer met name de juiste afstelling van de carburator en de mengverhouding van het benzine-oliemengsel.
- Probeer nooit vastgeklemd materiaal te verwijderen terwijl het messenblad beweegt. Zet het gereedschap neer, schakel het uit en verwijder het afgesnoeide materiaal.



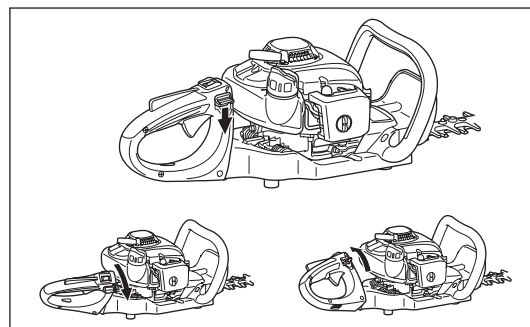
DE HOEK VAN DE ACHTERHANDGREEP INSTELLEN

De achterhandgreep kan 90° linksom en rechtsom worden gedraaid en op elke 45° worden vastgezet.

De hoek instellen:

1. Duw de ontgrendelknop omlaag om de vergrendeling te ontgrendelen.
2. Draai de achterhandgreep naar een hoek van 0°, 45° of 90°.
3. Controleer dat de ontgrendelknop terugkeert naar zijn oorspronkelijke stand om de achterhandgreep te vergrendelen.

Knijp de gashendel niet in terwijl de achterhandgreep ontgrendeld is. Ontgrendel de achterhandgreep niet tijdens gebruik.



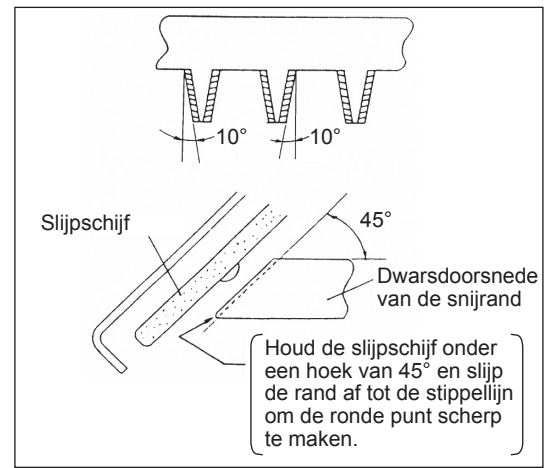
ONDERHOUD

- Schakel de motor uit en trek de bougiekap eraf wanneer u de messenbladen schoonmaakt, vervangt of slijpt, en wanneer u onderhoudswerkzaamheden uitvoert.
- Probeer nooit beschadigde messenbladen recht te trekken of te lassen.
- Inspecteer de messenbladen regelmatig op beschadigingen met uitgeschakelde motor.
- Houd de messenbladen scherp.
- Maak de heggenschaar regelmatig schoon en controleer regelmatig of alle bouten en moeren stevig vastgedraaid zijn.
- Onderhoudt de heggenschaar nooit in de buurt van open vuur om brand te voorkomen.
- Draag altijd leren handschoenen tijdens het hanteren en slijpen van de messenbladen aangezien deze scherp zijn.

Het messenblad slijpen

Als de randen afgerond zijn en niet meer goed snijden, slijpt u alleen de gearceerde gedeelten in de afbeelding eraf. Slijp niet op de raakvlakken (glijoppervlakken) van de boven- en onderranden.

- Zet voordat u begint te slijpen het messenblad goed vast en schakel de motor uit en trek de bougiekap van de bougie af.
- Draag handschoenen, veiligheidsbril, enz.
- Verwijder niet te veel materiaal. Hierdoor wordt de geharde laag verwijderd en worden de messenbladen tijdens gebruik erg snel bot.



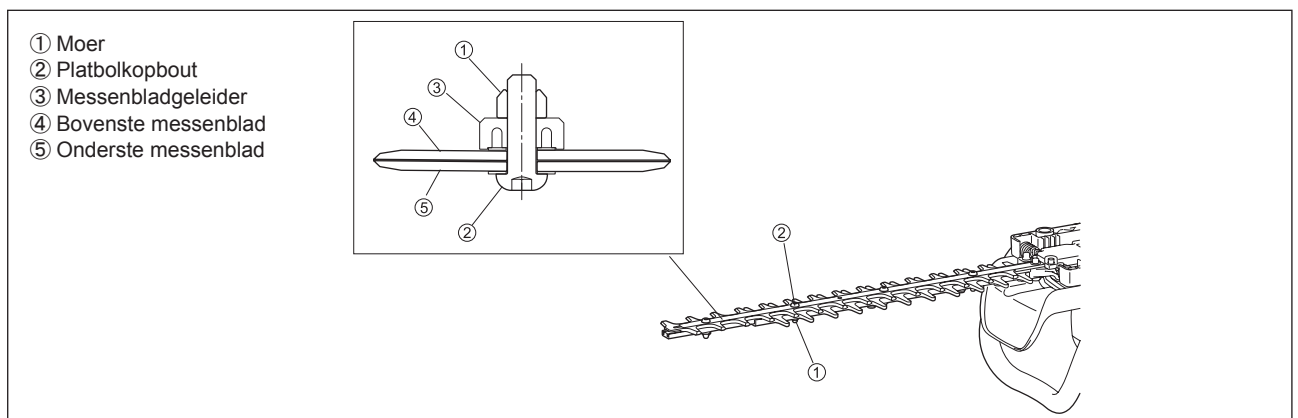
De speling tussen de messenbladen instellen

De bovenste en onderste messenbladen slijten. Als schoon snoeien niet meer mogelijk is ondanks dat de messenbladen scherp genoeg zijn, stelt u de speling tussen de messenbladen als volgt in.

1. Verwijder de stompe kant door de bouten los te draaien.
2. Draai de moer (1) los met een ring- of steeksleutel.
3. Draai de platbolkopbout (2) met een inbussleutel iets vast tot deze stopt en draai hem vervolgens een kwartslag terug.
4. Draai de moer (1) vast terwijl u de platbolkopbout (2) op zijn plaats houdt.
5. Breng lichte olie aan op de glijoppervlakken van de messenbladen.
6. Start de motor en knijp beurtelings de gashendel in en laat deze weer los gedurende een minuut.
7. Meet de tijd die de messenbladen nodig hebben om tot stilstand te komen nadat de gashendel is losgelaten. Als dit twee seconden of langer duurt, schakelt u de motor uit en herhaalt u de stappen 2 tot en met 7.
8. Stop de motor en raak het oppervlak van de messenbladen aan. Als deze niet te heet zijn om aan te raken, is de afstelling correct. Als ze te heet zijn om aan te raken, draait u de platbolkopbout (2) een klein stukje terug en herhaalt u de stappen 6 tot en met 8.
9. Bevestig de stompe kant door de bouten vast te draaien.

OPMERKING: Voordat u de afstelling maakt, schakelt u de motor uit en wacht u tot de messenbladen stilstaan.

In de messenbladen zit een gleuf rondom de schroef (2). In het geval u stof ziet in het uiteinde van de gleuf, verwijdert u dit.



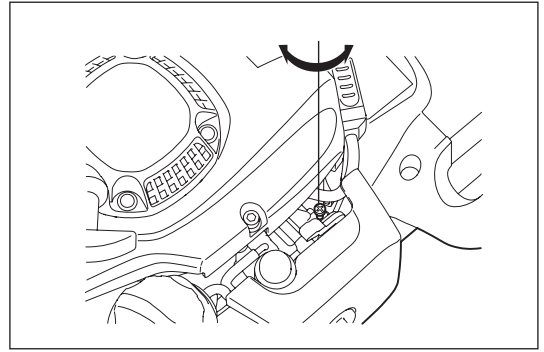
Het stationair toerental controleren en afstellen

De messenbladen mogen niet bewegen wanneer de motor op stationair toerental draait.

- Het stationair toerental moet zijn ingesteld op 3.000 min⁻¹(tpm).
- Stel zo nodig het stationair toerental af met behulp van de stelschroef (de messenbladen mogen niet bewegen wanneer de motor op stationair toerental draait).
 - De messenbladen bewegen tijdens stationair draaien: draai de stelschroef linksom om het stationair toerental te verlagen.
 - De motor slaat af tijdens stationair draaien: draai de stelschroef rechtsom om het stationair toerental te verhogen.

Als na het afstellen de messenbladen bij stationair toerental nog steeds bewegen, neemt u contact op met het dichtstbijzijnde, erkende servicecentrum.

- De koppeling moet aangrijpen bij 3.750 min⁻¹ (tpm) of hoger toerental.
- Controleer de werking van de I-O-schakelaar, de uit-vergrendelhendel en de gashendel.



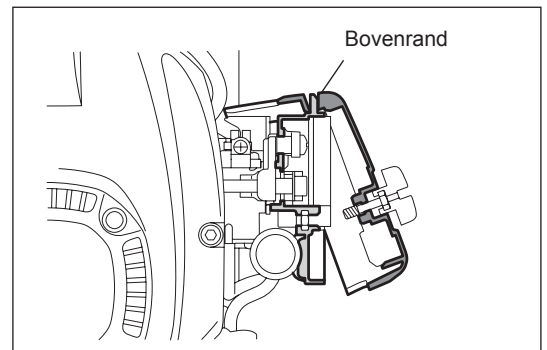
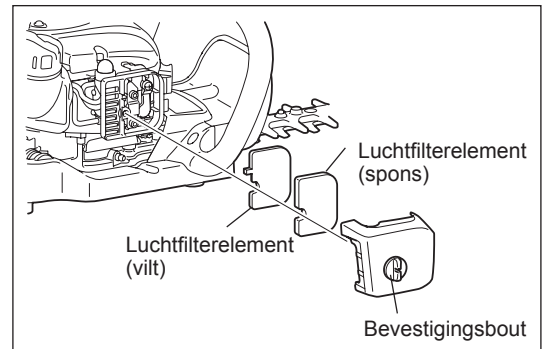
Het luchtfilter schoonmaken



WAARSCHUWING: Streng verboden voor ontvlambare materialen

Controleer en reinig het luchtfilter dagelijks of iedere 10 bedrijfsuren.

- Zet met de chokehendel de choke helemaal dicht en houd de carburator vrij van stof of vuil.
- Draai de bevestigingsbout los.
- Trek de achterrand van de luchtfilterkap naar voren om deze los te maken.
- Als er olie op het luchtfilterelement (spons) zit, knijpt u deze goed uit.
- In geval van ernstige vervuiling:
 - 1) Verwijder het filterelement (spons), dompel het in warm water of in een oplossing van een neutraal schoonmaakmiddel in water, en droog het grondig.
 - 2) Reinig het luchtfilterelement (vilt) met benzine en droog het grondig.
- Alvorens de luchtfilterelementen terug te plaatsen, moeten deze grondig droog zijn. Als de luchtfilterelementen onvoldoende droog worden teruggeplaatst, kan dat leiden tot moeilijk starten.
- Veeg olie rondom het luchtfilter weg met een poetsdoek.
- Onmiddellijk nadat het schoonmaken klaar is, plaatst u de luchtfilterkap terug en draait u de bevestigingsbout vast. (Bij het terugplaatsen haakt u eerst de bovenrand vast.)



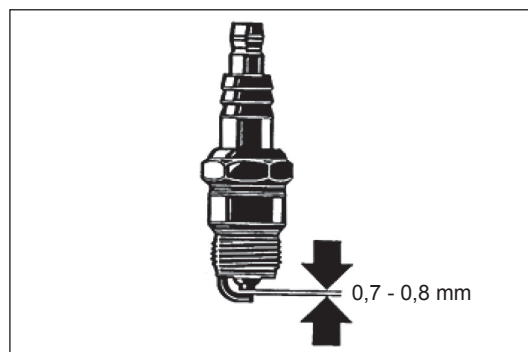
Tips voor het omgaan met de luchtfilterelementen

- Maak de luchtfilterelementen meerdere keren per dag schoon als onder extreem stoffige omstandigheden wordt gewerkt.
- Als u blijft doorwerken terwijl de luchtfilterelementen vervuild zijn met olie, kan de olie buiten het luchtfilter terecht komen en tot olievervuiling leiden.

De bougie controleren

Controleer en reinig de bougie dagelijks of iedere 8 bedrijfsuren.

- Gebruik alleen de bijgeleverde moersleutel om de bougie te verwijderen of te monteren.
- De afstand tussen de twee elektroden van de bougie moet 0,7 tot 0,8 mm bedragen. Als de afstand te groot of te klein is, moet u deze aanpassen. Als de bougie verstopt zit met roet of vuil, moet u deze grondig schoonmaken of vervangen. Gebruik een identieke vervangingsbougie.



Smeren

- Spuit na iedere 50 bedrijfsuren smeervet in de smeernippel (Shell Alvania nr. 3 of gelijkwaardig).

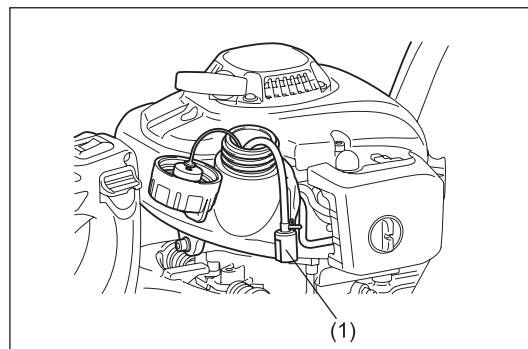
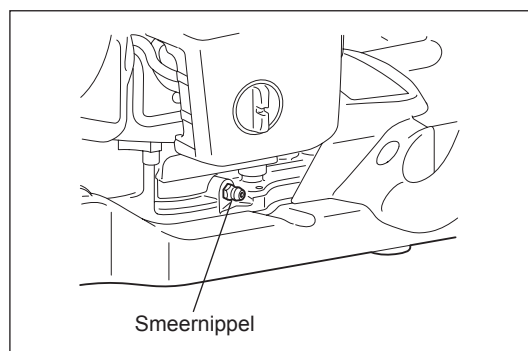
OPMERKING: Houd u aan de opgegeven intervaltijd en hoeveelheid smeervet. Als u dat niet doet, zal door onvoldoende smering een motorstoring optreden.

Het brandstoffilter (de zuigkop in de brandstoftank) schoonmaken

WAARSCHUWING: Streng verboden voor ontvlambare materialen

Controleer en reinig het brandstoffilter maandelijks of iedere 50 bedrijfsuren.

- Het vilten brandstoffilter (1) op de zuigkop wordt gebruikt om de brandstof die door de carburator wordt aangezogen, te filteren.
- Controleer het vilten brandstoffilter regelmatig op het oog.
- Om de vilten brandstoffilter te controleren, opent u de brandstofvuldop en gebruikt u een draadhaak om de zuigkop uit de tankopening te trekken.
- Vervang het vilten brandstoffilter als het hard geworden is, vervuild is of verstopt zit.
- Vervang het vilten brandstoffilter ten minste iedere drie maanden om verzekerd te zijn van een voldoende goede brandstoftoevoer naar de carburator. Als u dat niet doet, zal door onvoldoende brandstoftoevoer de motor moeilijk starten en het maximumtoerental lager zijn.



De brandstofleiding vervangen

LET OP: Streng verboden voor ontvlambare materialen

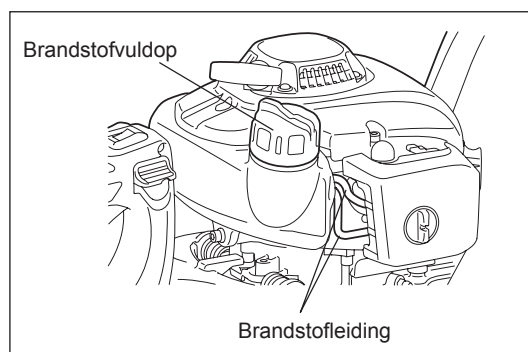
Controleer en reinig de brandstofleiding dagelijks of iedere 10 bedrijfsuren.

Vervang de brandstofleiding iedere 200 bedrijfsuren of ieder jaar, ongeacht de gebruiksfrequentie. Als u dat niet doet, kan brandstoflekkage optreden waardoor brand kan worden veroorzaakt.

Als u tijdens de controle een lekkage vindt, vervangt u de brandstofleiding onmiddellijk.

De brandstofvuldop vervangen

- Als enige onvolkomenheid of schade aan de brandstofvuldop wordt geconstateerd, moet deze worden vervangen.
- De brandstofvuldop is na verloop van tijd versleten. Vervang de brandstofvuldop iedere twee of drie jaar.

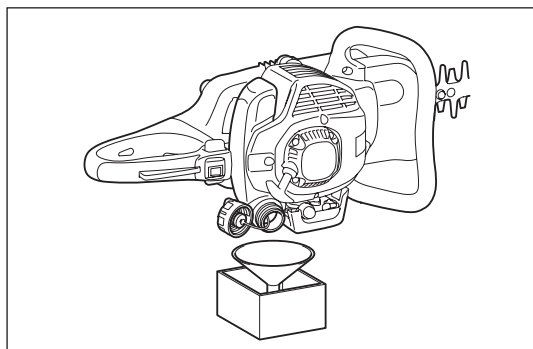


Voor alle onderhoudswerkzaamheden en afstellingen die niet in deze handleiding worden beschreven, neemt u contact op met u uw plaatselijk, erkend Makita-servicecentrum.

Dagelijkse controle en onderhoud

Om een lange levensduur te garanderen en eventuele schade aan het gereedschap te voorkomen, moeten de volgende onderhoudswerkzaamheden regelmatig uitgevoerd worden.

- Voor gebruik:
 - Controleer het gereedschap op losse bouten of ontbrekende onderdelen. Let er met name goed op of de bouten van de messenbladen goed vastgedraaid zijn.
 - Controleer altijd op verstopping van de koelluchtinlaatopening en de koelribben van de cilinder. Maak deze plaatsen zo nodig schoon.
 - Reinig en controleer de brandstoftank op brandstoflekkage of vreemde voorwerpen in de brandstoftank.
- Na gebruik:
 - Reinig de buitenkant van de heggenschaar en inspecteer op beschadigingen.
 - Maak het luchtfilter schoon. Maak het luchtfilter meerdere keren per dag schoon als u in onder extreem stoffige omstandigheden werkt.
 - Controleer de messenbladen op beschadiging en verzeker u ervan dat ze stevig gemonteerd zijn.



- Als u het gereedschap gedurende een lange tijd opslaat, tapt u de brandstof uit de brandstoftank en carburator als volgt af: Tap alle brandstof af uit de brandstoftank.
- Verwijder de bougie en breng enkele druppels olie via het bougiegat in de cilinder. Trek vervolgens voorzichtig aan de trekstarthandgreep zodat de olie de binnenkant van de motor bedekt, en draai de bougie weer vast.
- Verwijder vuil en stof vanaf de messenbladen en de buitenkant van de motor, veeg erover met een in olie doordrenkte doek, en sla het gereedschap op een zo droog mogelijke plaats op.

ONDERHOUDSSHEMA

Iedere keer na het bijvullen van brandstof	Gashendel I-O-schakelaar	Controleer de werking Controleer de werking
Vóór ieder gebruik	Montage van de motor Bouten en moeren Luchtfiler Koelluchtinlaatkanaal Messenbladen Stationair toerental Brandstoftank	Voer een visuele controle uit op beschadigingen en goede bevestiging Controleer de algemene toestand en veiligheid. Maak schoon Maak schoon Controleer op beschadigingen en scherpte Inspecteer (messenblad mag niet bewegen) Controleer en maak schoon
Ieder 50 bedrijfsuren	Tandwielhuis	Smeer
Wekelijks	Bougie	Controleer en vervang zo nodig
Jaarlijks	Brandstofleiding	Vervang
Iedere 2 jaar	Brandstofvuldop	Vervang
Uitschakel-procedure	Brandstoftank Carburator Brandstoffiler	Maak leeg en reinig Laat de motor draaien tot de brandstof op is Vervang

STORINGZOEKEN

Probleem	Systeem	Waarneming	Oorzaak
Motor start niet of moeilijk	Ontstekingsysteem	Ontstekingsvonk is aanwezig	Storing in brandstoftoevoer of compressiesysteem, mechanisch defect
		Geen ontstekingsvonk aanwezig	I-O-schakelaar ingeschakeld, bedradingsfout of kortsluiting, bougie of bougiekap defect, storing in ontstekingsmodule
	Brandstoftoevoersysteem	Brandstoftank is vol	Onjuiste stand van chokehendel, carburator defect, zuigkop (brandstoffiler) vervuild, brandstofleiding verbogen of gebarsten
		Compressie	Binnenkant van de motor
	Buitenkant van de motor		Onjuiste afdichting van de bougie
	Mechanisch defect	Starter grijpt niet aan	Gebroken startveer, gebroken onderdelen binnenin de motor
Problemen bij starten van warme motor	Brandstoftoevoersysteem	Brandstoftank is vol, ontstekingsvonk is aanwezig	Carburator is vervuild Laat deze schoonmaken
Motor start, maar slaat direct weer af		Brandstoftank is vol	Verkeerde afstelling van stationair toerental, of brandstoffiler of carburator is vervuild Ontluchting van de brandstoftank is defect, brandstofleiding is onderbroken, kabel of I-O-schakelaar is defect
Onvoldoende prestaties	Mogelijk zijn meerdere systemen tegelijk de oorzaak	Motor draait op stationair toerental	Luchtfiler is vervuild, carburator is vervuild, uitlaatdemper is verstopt, uitlaatkanaal in de cilinder is verstopt

Muchas gracias por comprar el corta setos MAKITA. Nos complace poder ofrecerle el corta setos MAKITA, que es el resultado de un largo programa de desarrollo y muchos años de investigación y experiencia.

Los modelos de corta setos EH5000W, EH6000W and EH7500W combinan las ventajas de la tecnología de vanguardia con el diseño ergonómico, son ligeros, manejables, compactos y son un equipo profesional para una gran variedad de aplicaciones.

Lea este y comprenda este folleto, que explica en detalle los diferentes aspectos que demostrarán su excelente rendimiento. Le ayudará a obtener, de forma segura, los mejores resultados posibles del corta setos MAKITA.



Tabla de contenido	Página
Símbolos.....	73
Instrucciones de seguridad.....	74
Datos técnicos.....	77
Denominación de las piezas.....	78
Combustible/repostaje.....	79
Precauciones antes de la puesta en marcha.....	80
Puesta en marcha de la máquina.....	81
Parada de la máquina.....	81
Uso de la máquina.....	82
Ajuste del ángulo del mango trasero.....	82
Instrucciones de mantenimiento.....	83
Almacenamiento.....	86
Programa de mantenimiento.....	86
Localización de averías.....	86

SÍMBOLOS

Es muy importante comprender los siguientes símbolos al leer este manual de instrucciones.

	ADVERTENCIA/PELIGRO		Mezcla de combustible y aceite
	Lea, entienda y siga el Manual de instrucciones		Encendido manual del motor
	Prohibido		Parada de emergencia
	No fumar		Primeros auxilios
	Evite las llamas		Reciclable
	Deben utilizarse guantes protectores		
	Mantenga el área de operaciones libre de personas y animales		ENCENDIDO/ARRANQUE
	Utilice protección para los ojos y los oídos		APAGADO/PARADA
			MARCA CE

INSTRUCCIONES DE SEGURIDAD

Instrucciones generales

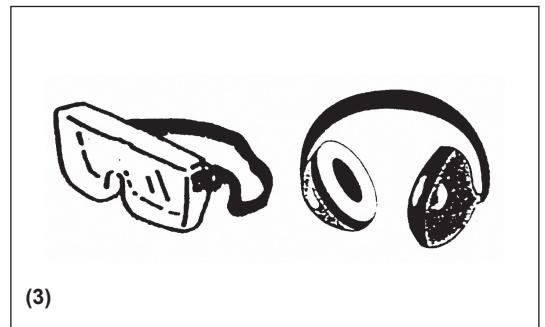
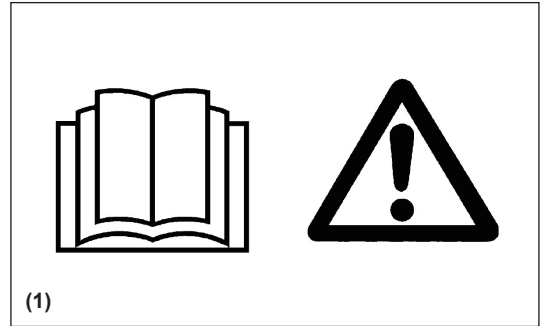
- ESTA MÁQUINA PUEDE CAUSAR LESIONES GRAVES. Lea las instrucciones con atención para el correcto manejo, preparación, mantenimiento, arranque y parada de la máquina. Familiarícese con los controles y el uso correcto de la máquina. (1)
- Se recomienda prestar el corta setos solamente a personas que han demostrado tener experiencia con corta setos. Entregue siempre el manual de instrucciones.
- Los usuarios que utilizan por primera vez la máquina deben pedir al distribuidor instrucciones básicas para familiarizarse con el manejo de un corta setos con motor.
- No se debe permitir que los niños o las personas de menos de 18 años utilicen el corta setos. No obstante, las personas de más de 16 años pueden usar el dispositivo con finalidades de aprendizaje solamente bajo la supervisión de un instructor cualificado.
- Utilice el corta setos con el máximo cuidado y atención.
- Sólo debe utilizar el corta setos si usted está en buena condición física. Realice todo el trabajo con calma y con cuidado. El usuario tiene que aceptar la responsabilidad por otros.
- Nunca utilice el corta setos tras consumir alcohol o medicamentos o si se siente cansado o enfermo. (2)

Uso previsto de la máquina

- El corta setos solamente se ha diseñado para cortar arbustos y matorrales y no se debe utilizar para ningún otro propósito. Trate el corta setos con cuidado.

Equipo de protección personal

- Debe llevarse ropa funcional y apropiada, es decir, debe ser ajustada pero sin que sea incómoda. No lleve joyas ni prendas anchas que puedan engancharse en arbustos, maleza o en la máquina.
- Para evitar lesiones en los ojos, las manos o los pies y para proteger los oídos, debe llevarse el siguiente equipo y la siguiente ropa de protección mientras se utiliza el corta setos.
- Durante el manejo del corta setos a gasolina utilice gafas de seguridad o un visor para evitar lesiones en los ojos. (3)
- Utilice un equipo de protección acústica adecuado para evitar daños en el oído, protectores de oído, tapones para los oídos, etc.
- Recomendamos utilizar un mono de trabajo. (4)
- Los guantes especiales de cuero grueso forman parte del equipo obligatorio y siempre deben utilizarse durante el manejo del corta setos. (4)
- Cuando utilice el corta setos, utilice siempre zapatos robustos con una suela que no resbale. De esta manera se protegerá contra lesiones y se asegurará de que los pies estén en una posición firme. (4)



Puesta en marcha del corta setos

- Asegúrese de que no haya niños y otras personas en un área de trabajo de 15 metros (5) y preste atención también a cualquier animal que pueda estar cerca del lugar de trabajo.
 - Antes de utilizarlo, compruebe siempre que el uso del corta setos sea seguro.
 - Compruebe la seguridad de la palanca de la mariposa de gases. Se debe comprobar que la palanca de la mariposa de gases se pueda accionar de forma suave y fácil. Compruebe el correcto funcionamiento de la palanca de la mariposa de gases. Compruebe que los asideros estén limpios y secos y pruebe el funcionamiento del interruptor de arranque/parada. Mantenga los asideros libres de aceite y combustible.
- Ponga en marcha el corta setos únicamente de acuerdo con las instrucciones.

¡No utilice ningún otro método para poner en marcha el motor (6)!

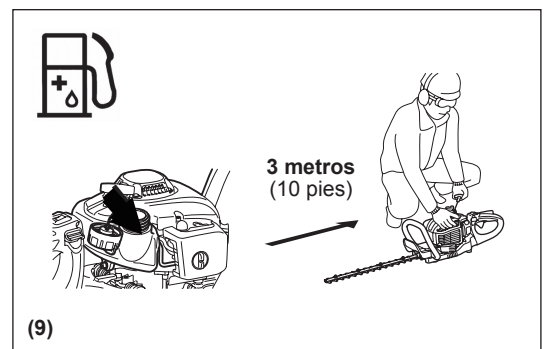
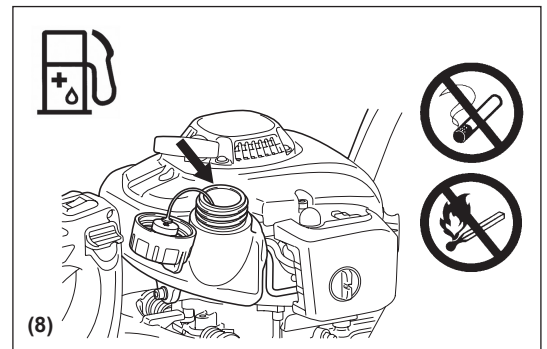
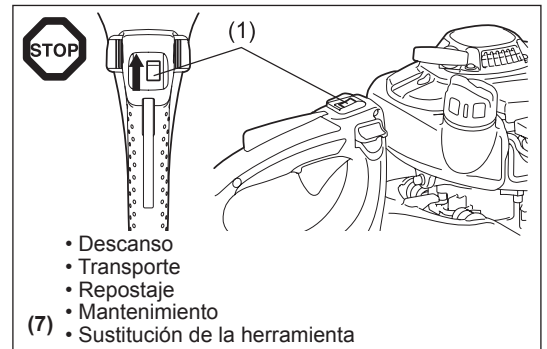
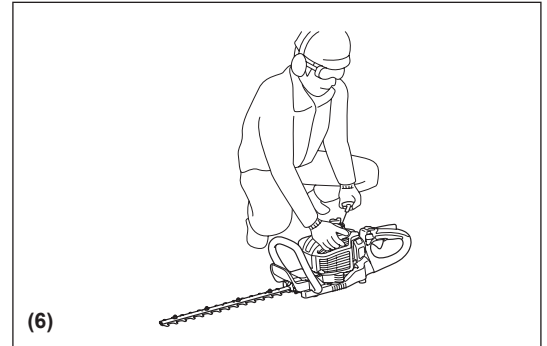
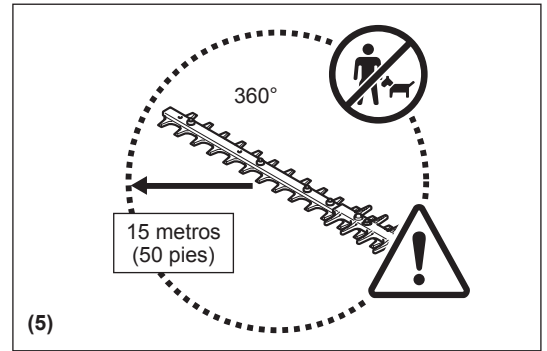
- Utilice el corta setos solamente para las aplicaciones especificadas.
- Ponga en marcha el corta setos únicamente después de montar todo el conjunto. Solamente se permite utilizar el corta setos después de conectar todos los accesorios adecuados.
- Antes de ponerlo en marcha, asegúrese de que la cuchilla de corte no esté en contacto con objetos tales como ramas, piedras, etc.
- El motor debe detenerse inmediatamente si surge cualquier problema con el mismo.
- Durante las operaciones, sujete los mangos delantero y trasero firmemente rodeándolos con sus dedos. Mantenga los mangos limpios y libres de humedad, resina, aceite o grasa.

Asegúrese siempre de que sus pies se encuentran en una posición segura y bien equilibrada.

- Utilícelo sólo en exteriores.
- Tenga cuidado siempre de su entorno y esté alerta ante posibles riesgos que podría no oír debido al ruido de la máquina.
- Utilice el corta setos de forma que no inhale los gases de escape. Nunca haga funcionar el motor en lugares cerrados (riesgo de asfixia y envenenamiento por gas). El monóxido de carbono es un gas inodoro. Asegúrese siempre de que la ventilación sea adecuada.
- Pare el motor cuando descanse o deje el corta setos desatendido. Póngalo en un lugar seguro para evitar poner en peligro a otras personas, incendiar materiales combustibles o dañar la máquina.
- No deje nunca el corta setos caliente sobre hierba seca o materiales combustibles.
- Para reducir el riesgo de incendio, mantenga el motor y el silenciador libres de residuos, hojas o lubricante en exceso.
- Nunca haga funcionar el motor con un silenciador de escape defectuoso.
- Pare el motor durante el transporte (7).
- Pare el motor:
 - Antes de limpiar o eliminar atascos;
 - Antes de comprobar, realizar tareas de mantenimiento o poner en funcionamiento la máquina.
- Durante el transporte en un vehículo, coloque el corta setos en una posición segura para evitar las fugas de combustible
- Cuando transporte el corta setos, asegúrese de que el depósito de combustible esté completamente vacío para evitar fugas de combustible.
- Al transportar o almacenar la máquina, ponga siempre el protector del dispositivo de corte.

Repostaje

- Pare el motor antes de repostar (7), manténgase alejado de las llamas (8) y no fume.
- No intente repostar un motor caliente o en funcionamiento.
- Evite el contacto de la piel con los productos derivados del petróleo. No inhale el vapor de combustible. Utilice siempre guantes de protección durante el repostaje. Cambie y limpie regularmente la ropa protectora.
- Tenga cuidado de no derramar combustible o aceite para evitar la contaminación del suelo (protección medioambiental). Limpie el corta setos inmediatamente después del derrame de combustible. Permita que los trapos mojados se sequen antes de tirarlos en recipientes adecuados y tapados. De lo contrario, puede producirse una combustión espontánea.
- Evite el contacto del combustible con su ropa. Cambie instantáneamente su ropa si ha derramado combustible en ella (peligro inflamable).
- Inspeccione a intervalos regulares la tapa del depósito de combustible para asegurarse de que esté firmemente apretada.
- Apriete con cuidado la tapa del depósito de combustible. Cambie de lugar para poner en marcha el motor (como mínimo a 3 metros de distancia del lugar de repostaje) (9).
- Nunca reposte en lugares cerrados. Los vapores de combustible se acumulan a nivel del suelo (riesgo de explosiones).
- El combustible solamente se debe transportar y almacenar en recipientes homologados. Asegúrese de que el combustible almacenado no esté al alcance de los niños.
- Cuando mezcle gasolina con aceite para motores de dos tiempos, utilice solamente gasolina sin etanol ni metanol (tipos de alcohol). Esto evitará problemas en los tubos de combustible y en otras piezas del motor.



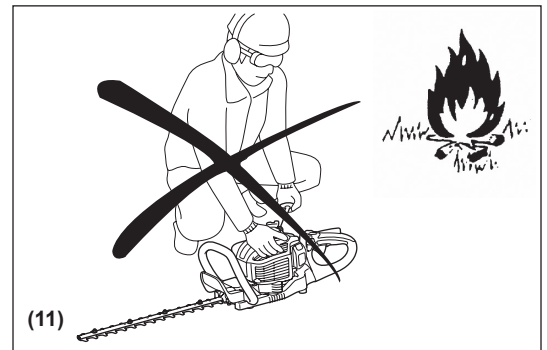
Método de trabajo

- Utilice siempre las dos manos para sujetar los asideros durante la operación.
- Utilice el corta setos únicamente cuando haya una buena iluminación y visibilidad. Durante las estaciones frías tenga cuidado con las áreas húmedas o resbaladizas, hielo y nieve (riesgo de resbalar). Asegúrese siempre de que sus pies se encuentran en una posición segura.
- Nunca trabaje sobre superficies inestables o terrenos muy inclinados.
- No se suba nunca a una escalera mientras utilice el corta setos.
- Nunca se suba a árboles para realizar la operación de corte con el corta setos.
- Para reducir el riesgo de que se pueda tambalear o perder el control, no camine hacia atrás cuando esté utilizando la máquina.
- Pare siempre el motor antes de limpiar, realizar el mantenimiento de la unidad o al cambiar partes de la misma.
- No utilice la máquina con un dispositivo de corte dañado o desgastado excesivamente.



Instrucciones de mantenimiento

- Sea respetuoso con el medioambiente. Utilice el corta setos de forma que haga tan poco ruido y produzca tan poca contaminación como sea posible. En concreto, compruebe el ajuste correcto del carburador.
- Limpie el corta setos periódicamente y compruebe que todos los tornillos y tuercas estén bien apretados.
- Nunca realice trabajos de mantenimiento ni guarde el corta setos cerca de llamas, chispas, etc. (11).
- Vacíe el depósito de combustible antes de guardar el corta setos.
- Nunca almacene el corta setos cerca de llamas vivas para evitar incendios.
- Guarde el corta setos en un lugar bien ventilado, elevado o cerrado con llave fuera del alcance de los niños.
- No intente reparar la máquina a no ser que usted esté capacitado para hacerlo.



Siga todas las instrucciones relevantes para la prevención de accidentes que hayan proporcionado las comisiones de seguridad de asociaciones comerciales y las compañías de seguros.

No realice ninguna modificación en el corta setos, ya que esto pondría en peligro su seguridad.

Los trabajos de mantenimiento o reparación que puede realizar el usuario se limitan a las actividades descritas en este manual de instrucciones. Todos los demás trabajos los realizan agentes de servicio autorizados.

Utilice solamente piezas de recambio y accesorios genuinos suministrados por MAKITA o centros de servicio autorizados por el fabricante. El uso de accesorios y herramientas no aprobadas implica un mayor riesgo de accidentes y lesiones. MAKITA no aceptará ninguna responsabilidad por accidentes o daños causados por el uso de cualquier accesorio no aprobado.

Primeros auxilios

En caso de accidente, asegúrese de tener un botiquín de primeros auxilios bien surtido, de acuerdo con la norma DIN 13164, cerca del lugar donde realice las operaciones de corte.

Reponga inmediatamente cualquier artículo que tome del botiquín de primeros auxilios.

Cuando solicite ayuda, proporcione la siguiente información:

- Lugar del accidente
- Qué ha ocurrido
- Número de personas heridas
- Alcance de las lesiones
- Su nombre



Embalaje

El corta setos MAKITA se entrega en una caja de cartón protectora para evitar que se estropee durante el transporte. El cartón es una materia prima básica y, por lo tanto, se puede reciclar (reciclado de residuos de papel).



DECLARACIÓN DE CONFORMIDAD DE LA CE

Nosotros, Makita Corporation, en calidad de fabricante responsable, declaramos que las siguientes máquinas Makita:

Designación de la máquina: Corta Setos a Gasolina
 Nº de modelo/ Tipo: EH5000W, EH6000W, EH7500W
 Especificaciones: consulte "DATOS TÉCNICOS"

son de producción serie y

Cumplen con las siguientes Directivas europeas:

2000/14/CE, 2006/42/CE

Y se han fabricado de acuerdo con los siguientes estándares o documentos estandarizados:

EN ISO 10517

La documentación técnica la conserva nuestro representante autorizado en Europa, que es:

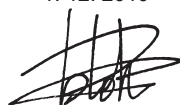
Makita International Europe Ltd.
 Michigan Drive, Tongwell, Milton Keynes, Bucks MK15 8JD, Inglaterra

El procedimiento de evaluación de conformidad requerido por la Directiva 2000/14/CE se realizó de acuerdo con el anexo V.

Nivel de potencia sonora medido: EH5000W 104,0 dB (A), EH6000W 104,2 dB (A), EH7500W 104,8 dB (A)

Nivel de potencia sonora garantizado: Todos los modelos 106 dB (A)

1. 12. 2010

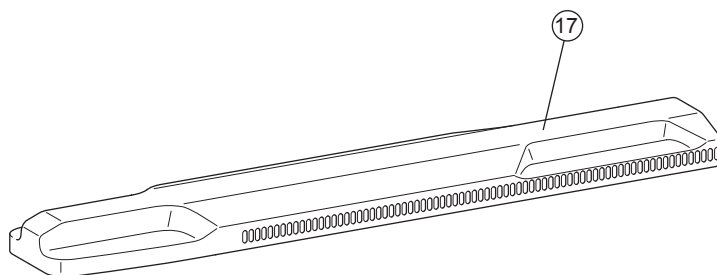
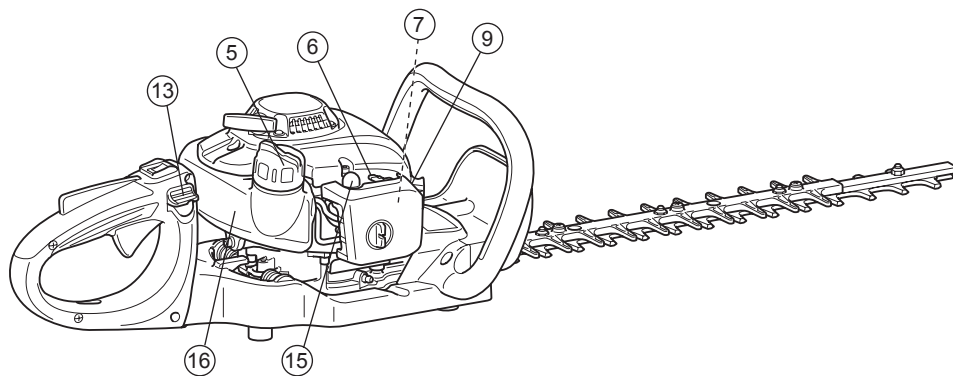
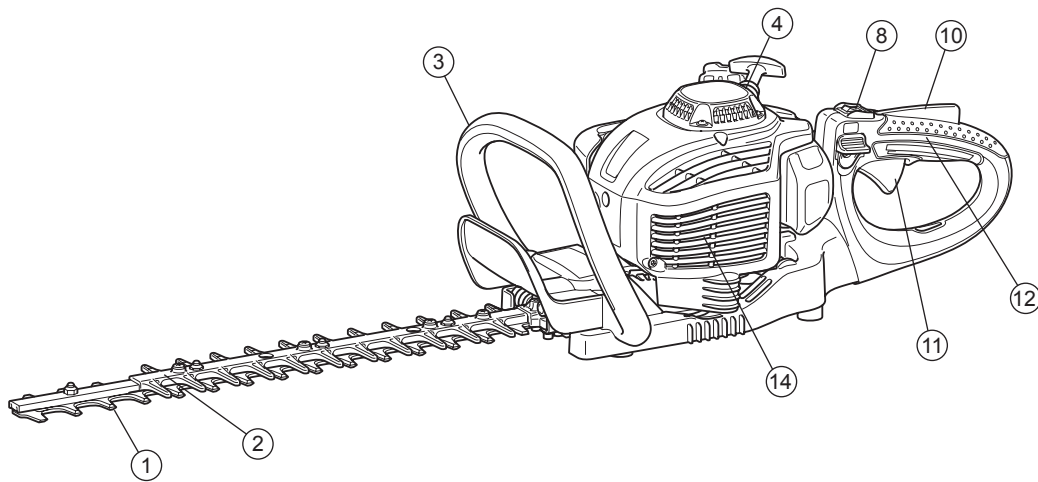


Tomoyasu Kato
 Director
 Makita Corporation
 3-11-8, Sumiyoshi-cho,
 Anjo, Aichi, 446-8502, JAPAN

DATOS TÉCNICOS

Modelo		EH5000W	EH6000W	EH7500W		
Dimensiones (Largo x Ancho x Alto)		mm	1.014 x 262 x 216	1.119 x 262 x 216		
Peso (sin cubierta de cuchilla)		kg	4,8	5,0		
Volumen (depósito de combustible)		L	0,4			
Cilindrada del motor		cm ³	22,2			
Longitud de corte		mm	483	588		
Potencia máxima del motor		kW	0,68			
Velocidad máxima de la cuchilla		min ⁻¹	4.270			
Velocidad de ralentí		min ⁻¹	3.000			
Velocidad de acoplamiento de embrague		min ⁻¹	4.000			
Tipo de carburador		tipo	WALBRO WYL			
Sistema de encendido		tipo	Encendido de estado sólido			
Bujía		tipo	NGK CMR6A			
Separación entre electrodos		mm	0,7 - 0,8			
Vibración de acuerdo con EN ISO 10517	Asidero derecho	$a_{hv\ eq}$	m/s ²	2,5	2,7	2,3
		Incertidumbre (K)	m/s ²	1,3	1,1	1,6
	Asidero izquierdo	$a_{hv\ eq}$	m/s ²	2,5	2,8	2,3
		Incertidumbre (K)	m/s ²	1,3	1,1	1,2
Ruido de acuerdo con EN ISO 10517	Nivel de presión sonora		dB (A)	93,0	92,8	93,9
	Incertidumbre (K)		dB (A)	1,4	2,2	1,2
	Nivel de potencia sonora		dB (A)	103,0	103,2	103,8
	Incertidumbre (K)		dB (A)	2,1	1,5	1,3
Relación de mezcla (combustible: aceite para motor)		Aceite para motor de dos tiempos auténtico de MAKITA		50 : 1		
		Aceite para motor de dos tiempos de otro fabricante		25 : 1		
Relación de engranajes					9 : 43	

DENOMINACIÓN DE LAS PIEZAS



	DENOMINACIÓN DE LAS PIEZAS		DENOMINACIÓN DE LAS PIEZAS		DENOMINACIÓN DE LAS PIEZAS
1	Cuchilla	7	Carburador (no se muestra)	13	Palanca de liberación
2	Extensión desafilada	8	Interruptor I-O (encendido/apagado)	14	Silenciador
3	Mango delantero	9	Bujía	15	Bomba de cebado
4	Arrancador de retroceso	10	Palanca de desbloqueo	16	Depósito de combustible
5	Tapa del depósito de combustible	11	Palanca de la mariposa de gases	17	Cubierta de la cuchilla
6	Palanca del estrangulador	12	Mango trasero		

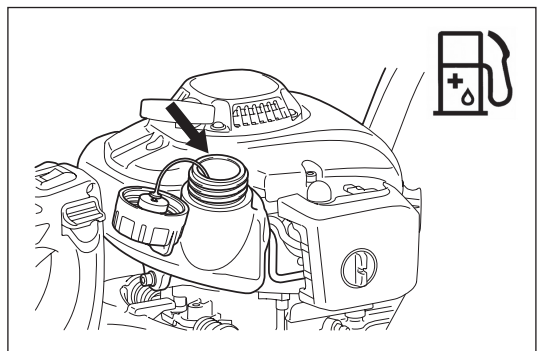
Mezcla de combustible y aceite

- El motor del corta setos es un motor de dos tiempos altamente eficaz. Funciona con una mezcla de combustible y aceite para motores de dos tiempos. El motor ha sido diseñado para que funcione con combustible normal sin plomo, con un octanaje mínimo de 91 ROZ. En caso de no disponer de ese combustible, puede utilizar combustible con un octanaje mayor. Esto no afectará a su motor, pero puede provocar un bajo rendimiento. Cuando se utilice combustible con plomo surgirá un problema similar. Para obtener un rendimiento óptimo del motor y para proteger su salud y el medio ambiente, utilice sólo combustible sin plomo.
- Para lubricar el motor, añada un aceite para motor de dos tiempos (grado de calidad: TSC-3), que se añade al combustible. El motor ha sido diseñado para utilizar el aceite para motores de dos tiempos de MAKITA con una relación de mezcla de sólo 50:1, para proteger el medio ambiente. Además quedará asegurada una larga vida de servicio y un funcionamiento fiable con el mínimo de emisión de gas de escape. Es absolutamente esencial respetar la relación de mezcla de 50:1 (aceite para motores de dos tiempos de MAKITA); de lo contrario, no se puede garantizar el funcionamiento fiable del corta setos.
- Relación de mezcla correcta:
Gasolina: Aceite para motor de dos tiempos especificado = 50 : 1 o bien
Gasolina: Aceite para motor de dos tiempos de otro fabricante = 25 : 1 recomendado

NOTA: Para preparar la mezcla de combustible y aceite, mezcle primero todo el aceite con la mitad de lo combustible necesario en un recipiente aprobado que cumpla o supere todas las normas locales. Luego añada el combustible restante. Agite bien la mezcla antes de llenar con ella el depósito del corta setos. No añada más aceite del especificado para garantizar el funcionamiento correcto. Esto sólo producirá más residuos en la combustión que contaminarán el medio ambiente y obstruirán el canal de escape del cilindro así como el silenciador. Además, el consumo de combustible aumentará y el rendimiento disminuirá.

Manejo de productos derivados del petróleo

Al manejar el combustible deberá tenerse el máximo cuidado posible. El combustible puede contener sustancias similares a los disolventes. Reposte en una habitación bien ventilada o al aire libre. No inhale el vapor de combustible y evite cualquier contacto del combustible o del aceite con su piel. Si la piel entra en contacto con estas sustancias repetidamente y durante un período de tiempo prolongado, se secará. Pueden provocarse varias enfermedades de la piel. También podrán producirse reacciones alérgicas. Los ojos podrán irritarse si entran en contacto con el aceite, el combustible, etc. Si entra aceite, combustible, etc. en sus ojos, lávelos inmediatamente con agua potable. Si sus ojos continúan irritados, ¡acuda inmediatamente a un médico!



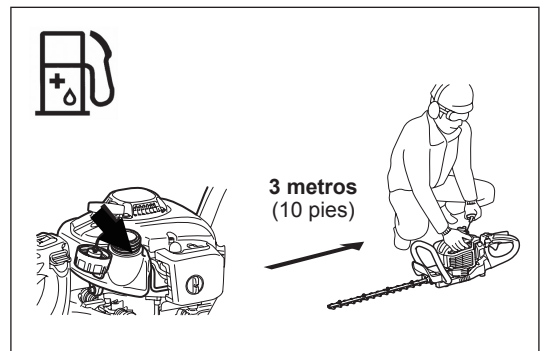
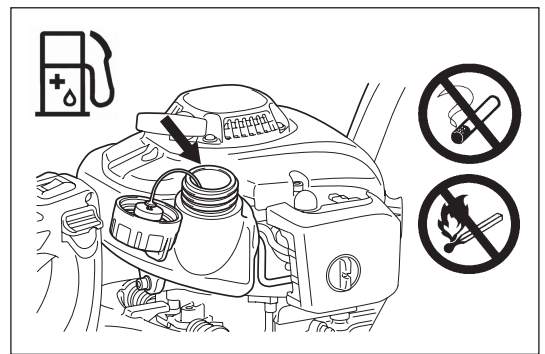
Gasolina	Aceite
50:1	25:1
+	
50:1	
1.000 cm ³ (1 litro) 5.000 cm ³ (5 litros) 10.000 cm ³ (10 litros)	20 cm ³ 40 cm ³ 100 cm ³ 200 cm ³ 200 cm ³ 400 cm ³

Repostaje

- El motor debe estar apagado.
- Apague el motor durante el repostaje, manténgase alejado de las llamas y no fume.
- Tenga cuidado de no derramar combustible o aceite para evitar la contaminación del suelo. Limpie el corta setos inmediatamente después del derrame de combustible.
- No derrame combustible sobre el motor. Limpie el combustible si se derrama.
- Evite el contacto del combustible con su ropa. Cámbiese de ropa inmediatamente si se ha derramado combustible sobre ella (para evitar que la ropa se incendie).
- Inspeccione periódicamente la tapa del depósito de combustible para asegurarse de que se puede apretar firmemente y que no tiene fugas de combustible.
- Apriete con cuidado la tapa del depósito de combustible. Cambie de lugar para poner en marcha el motor (como mínimo a 3 metros de distancia del lugar de repostaje).
- Nunca reposte en lugares cerrados. El vapor del combustible se acumula a nivel del suelo. (Riesgo de explosiones.)
- El combustible solamente se debe transportar y almacenar en recipientes homologados. Asegúrese de que el combustible almacenado no esté al alcance de los niños.
- Limpie minuciosamente alrededor del tapón para que no entre suciedad en el depósito de combustible.
- Desenrosque el tapón y rellene el depósito con combustible. Utilice un embudo de malla para filtrar el combustible.
- Apriete firmemente el tornillo del tapón solamente a mano.
- Limpie alrededor del tapón de tornillo y del depósito después del repostaje.
- Limpie siempre el combustible que se haya podido derramar para evitar incendios.

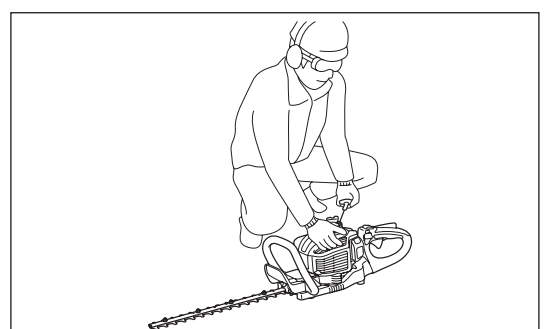
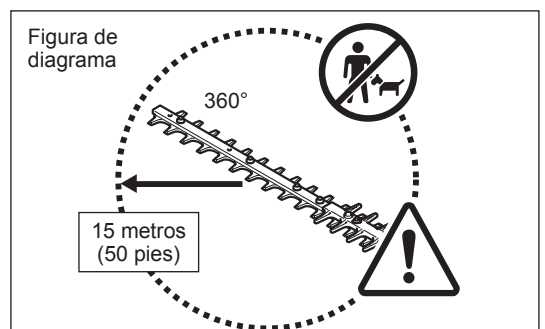
Almacenamiento del combustible

- El combustible no se puede almacenar durante un período de tiempo ilimitado.
- Compre solamente la cantidad necesaria para 4 semanas de funcionamiento.
- Utilice solamente los recipientes aprobados para guardar combustible.



PRECAUCIONES ANTES DE LA PUESTA EN MARCHA

- Asegúrese de que no haya niños y otras personas en un área de trabajo de 15 metros. Preste atención también a cualquier animal que pueda estar cerca del lugar de trabajo.
- Antes de utilizarlo, compruebe siempre que el uso del corta setos sea seguro. Compruebe que el dispositivo de corte no esté dañado, que la palanca de control se pueda accionar fácilmente y que el interruptor de arranque/parada funcione correctamente. Asegúrese de que las cuchillas de corte no estén en funcionamiento cuando el motor esté al ralentí. Consulte los ajustes con su distribuidor en caso de duda. Compruebe que los asideros estén limpios y secos y pruebe el funcionamiento del interruptor de arranque/parada.
- Ponga en marcha el corta setos únicamente de acuerdo con las instrucciones. No utilice ningún otro método para poner en marcha el motor. (Consulte Puesta en marcha)
- Ponga en marcha el motor únicamente después de montar todo el conjunto. Solamente se permite utilizar el motor después de conectar todos los accesorios adecuados. De lo contrario existe un riesgo de lesiones.
- Antes de ponerlo en marcha, asegúrese de que las cuchillas de corte no estén en contacto con objetos tales como ramas, piedras, etc.
- Antes de cortar, inspeccione la zona para asegurarse de que no entren en contacto con la cuchilla cables, cuerdas, vidrio u otros objetos extraños.
- Descarga eléctrica. Tenga en cuidado con las líneas y las vallas eléctricas. Compruebe si hay líneas eléctricas en las proximidades antes de cortar.



PUESTA EN MARCHA DE LA MÁQUINA

Aléjese 3 metros como mínimo del lugar de repostaje. Coloque el corta setos sobre un lugar despejado. Asegúrese de que las cuchillas de corte no entren en contacto con el suelo u otros objetos.

Arranque en frío: (Cuando el motor esté frío o se haya detenido durante más de 5 minutos o cuando se añada combustible al motor.)

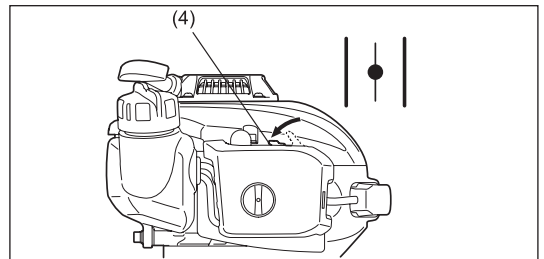
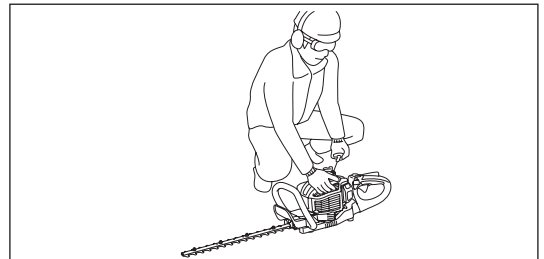
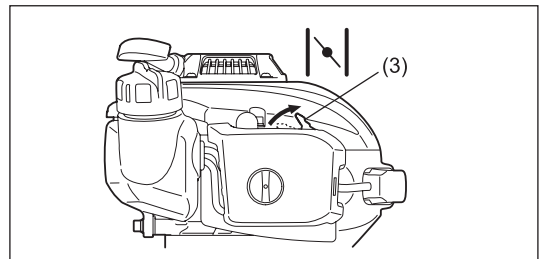
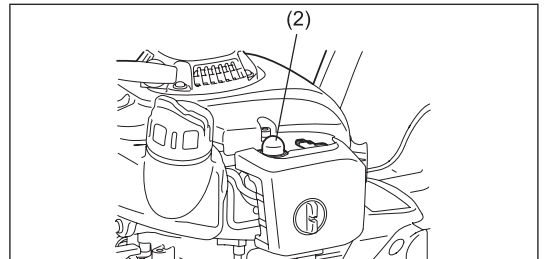
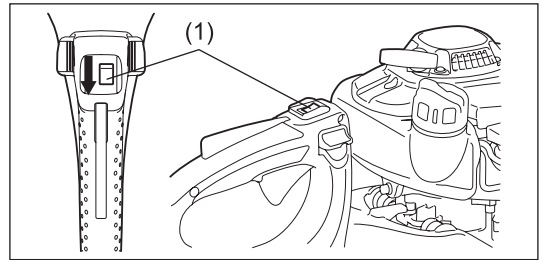
1. Pulse el interruptor I-O (1) hasta la posición "I".
2. Apriete suavemente la bomba de cebado (2) repetidamente (de 7 a 10 veces) hasta que el combustible entre en la bomba de cebado.
3. Mueva la palanca de estrangulamiento (3) hasta la posición "I".
4. Sujete la unidad firmemente hacia abajo para no perder el control mientras la pone en marcha. Si no se sujeta correctamente, el motor puede hacerle perder el equilibrio o la cuchilla de corte puede balancearse hasta entrar en contacto con una obstrucción o su cuerpo.
5. Tire de la empuñadura de arranque lentamente unos 10 o 15 cm hasta que note la resistencia.
6. Tire con fuerza cuando pueda notar la presión y ponga en marcha el motor.
7. Cuando el motor se ponga en marcha o dé un salto y se detenga, devuelva la palanca del estrangulador (4) a "I".
8. Haga funcionar el motor durante aproximadamente un minuto a una velocidad moderada antes de seleccionar la velocidad completa.

Nota: • Si se tira repetidamente de la empuñadura de arranque cuando la palanca del estrangulador se encuentra en la posición "I" el motor no se pondrá en marcha fácilmente a causa del exceso de entrada de combustible.

• Si se produce una entrada excesiva de combustible, extraiga la bujía y tire lentamente de la empuñadura de arranque para eliminar el exceso de combustible. Asimismo, seque la sección del electrodo de la bujía.

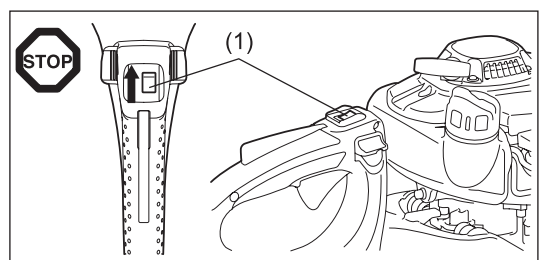
Arranque del motor en caliente: (Volver a arrancar el motor inmediatamente después de que se haya parado.) Cuando vuelva a poner en marcha un motor caliente, primero intente el procedimiento anterior: 1, 2, 4, 5, 6 con la palanca del estrangulador (4) en "I". Si el motor no se pone en marcha, repita los pasos 1 a 8.

Nota: No tire de la cuerda de arranque en toda su extensión. Y no deje que la empuñadura de arranque se retraiga sin control. Asegúrese de que se retraiga lentamente.



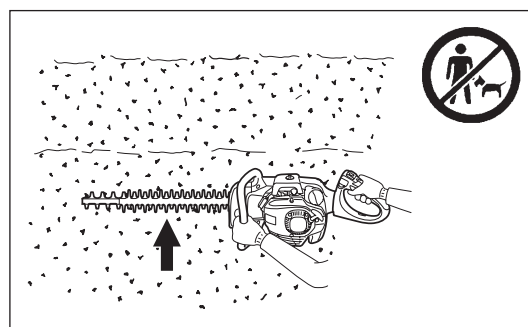
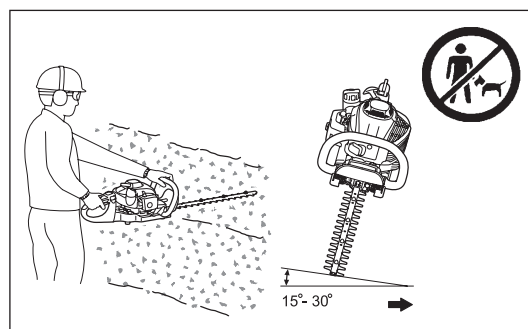
PARADA DE LA MÁQUINA

1. Suelte la palanca de la mariposa de gases completamente.
2. Empuje el interruptor de arranque/parada (1) hasta la posición "O". Las revoluciones del motor se reducirán y el motor se detendrá.



USO DE LA MÁQUINA

- Nunca utilice el corta setos con una empuñadura floja.
- No toque nunca las cuchillas de corte cuando ponga en marcha el motor ni durante el uso de la máquina.
- Utilice el corta setos de forma que no inhale los gases de escape. Nunca haga funcionar el motor en lugares cerrados (riesgo de asfixia y envenenamiento por gas). Nunca haga funcionar el motor en lugares cerrados (riesgo de envenenamiento por gas). El monóxido de carbono es un gas inodoro.
- Todo el equipo de protección, como las protecciones suministradas con la máquina deben utilizarse durante el funcionamiento.
- Nunca utilice el motor con un silenciador de escape defectuoso o sin él.
- Utilice el corta setos únicamente cuando haya una buena iluminación y visibilidad.
- Durante el invierno tenga cuidado con las áreas húmedas o resbaladizas, hielo y nieve. (Riesgo de resbalar.) Asegúrese siempre de que sus pies se encuentran en una posición segura.
- No se suba nunca a una escalera mientras utilice el corta setos. Mantenga ambos pies en el suelo.
- Nunca se suba a árboles para realizar la operación de corte con el corta setos.
- No trabaje nunca en superficies inestables.
- Elimine la arena, piedras, clavos, etc. que se encuentren en el área de trabajo. Los objetos extraños pueden dañar las cuchillas de corte.
- Antes de realizar la operación de corte, corte ramas de 8 mm o un grosor superior con tijeras de podar.
- Antes de comenzar a cortar, las cuchillas de corte deben alcanzar la velocidad de trabajo completa.
- Sujete siempre el corta setos firmemente con ambas manos en los asideros solamente.
- Sujete la empuñadura firmemente con los dedos rodeándola.
- Cuando suelte la palanca de la mariposa de gases las cuchillas de corte tardarán un momento en detenerse.
- No debe utilizar el corta setos para cortar con el ralentí acelerado. La velocidad de corte no se puede ajustar con el control de la mariposa de gases si la velocidad de ralentí está muy acelerado.
- Durante la operación de corte, el corta setos debe sujetarse de forma que las cuchillas formen un ángulo de 15-30° con la línea de corte.
- Preste especial atención cuando corte setos que estén dispuestos cerca o a lo largo de una larga valla alambrada.
- No toque objetos duros tales como vallas, piedra o suelo con las cuchillas de corte. Se pueden provocar grietas, astillas o roturas.
- Si la herramienta de corte golpea piedras u otros objetos duros, apague el motor inmediatamente e inspecciónela. Sustituya las cuchillas dañadas antes de volver a iniciar el trabajo.
- Realice un descanso periódicamente. Makita recomienda realizar un descanso de 10 a 20 minutos después de cada 50 minutos de uso.
- Apague el motor inmediatamente en caso de problemas con el motor.
- Utilice el corta setos de forma que haga tan poco ruido y produzca tan poca contaminación como sea posible. En concreto, compruebe el ajuste correcto del carburado y la relación combustible/aceite.
- Nunca intente retirar material cortado atascado cuando las cuchillas estén funcionando. Ponga la unidad en el suelo, apáguela y retire los recortes según sea necesario.



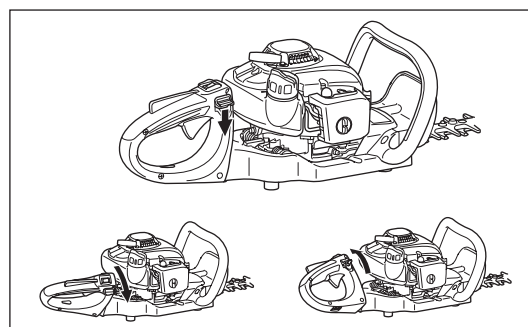
AJUSTE DEL ÁNGULO DEL MANGO TRASERO

El mango trasero se puede girar hasta 90° a la izquierda o la derecha y se puede ajustar en una posición cada 45°.

Para cambiar el ángulo:

1. Pulse la palanca de liberación para liberar el bloqueo.
2. Gire el mango a un ángulo de 0°, 45° o 90°.
3. Asegúrese de que la palanca de liberación vuelva a la posición original para activar el bloqueo.

No tire de la palanca de la mariposa de gases mientras el bloqueo esté liberado. No libere el bloqueo durante el uso.



INSTRUCCIONES DE MANTENIMIENTO

- Apague el motor y retire el conector de la bujía cuando sustituya o afile las herramientas de corte y también cuando limpie el cortador o el dispositivo de corte o cuando realice cualquier tarea de mantenimiento.
- Nunca enderece ni suelde las cuchillas de corte estropeadas.
- Inspeccione las cuchillas de corte con el motor apagado en intervalos periódicos breves para comprobar si hay daños.
- Mantenga las cuchillas de corte afiladas.
- Limpie el corta setos periódicamente y compruebe que todos los tornillos y tuercas estén bien apretados.
- Nunca realice tareas de mantenimiento ni almacene el corta setos cerca de llamas para evitar incendios.
- Use siempre guantes de piel cuando manipule o afile las cuchillas, ya que son cortantes

Afilado de las cuchillas

Si los bordes están redondeados y ya no cortan bien, afile solamente las partes sombreadas en la figura. No afile las superficies de contacto (superficies deslizantes) de los bordes superior e inferior.

- Antes del afilado, asegúrese de fijar la cuchilla firmemente, apagar el motor y retirar el capuchón de la bujía.
- Utilice guantes, gafas protectoras, etc.
- No retire demasiado material. Un borde afilado en exceso perderá su capa endurecida y quedará desafilado muy rápidamente con el uso.

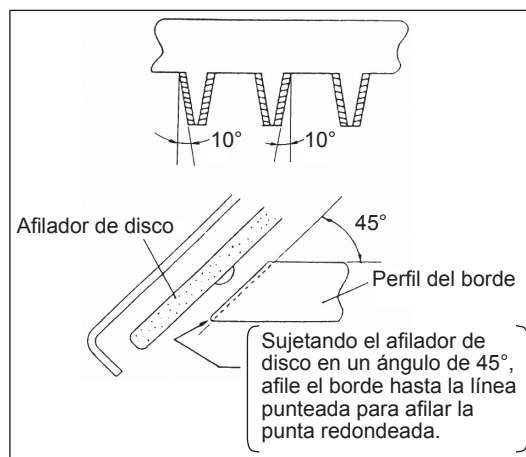
Ajuste de la holgura de las cuchillas

Las cuchillas superiores/inferiores se desgastan. Si detecta que el corte no es tan bueno aunque las cuchillas están lo suficientemente agudas, ajústelas de la siguiente manera:

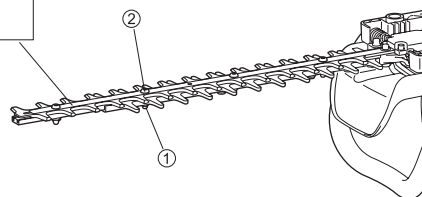
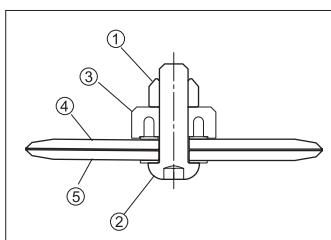
1. Retire la extensión desafilada aflojando los tornillos.
2. Afloje la tuerca (1) con una llave de vaso o una llave inglesa.
3. Apriete el perno de armadura (2) con una llave hexagonal ligeramente hasta que se detenga y vuelva a atornillar un cuarto de vuelta.
4. Apriete la tuerca (1), sujetando el perno de armadura (2),
5. Lubrique la superficie de fricción de las cuchillas con aceite ligero.
6. Ponga en marcha el motor y abra y cierre la mariposa de gases del motor durante un minuto.
7. Mida el tiempo necesario para que las cuchillas se detengan tras soltar la palanca de mariposa de gases. Si es de dos segundos o más, pare el motor y repita los pasos 2 a 7.
8. Pare el motor y toque la superficie de las cuchillas. Si no están demasiado calientes como para tocarlas, ha realizado el ajuste correcto. Si están demasiado calientes para tocarlas, afloje el perno (2) un poco más y repita los pasos 6 a 8.
9. Acople la extensión desafilada apretando los tornillos.

NOTA: Antes de realizar el ajuste, detenga el motor y espere a que se detengan las cuchillas.

Las cuchillas tienen una ranura alrededor del tornillo (2). Si encuentra polvo en cualquiera de las ranuras, límpielo.



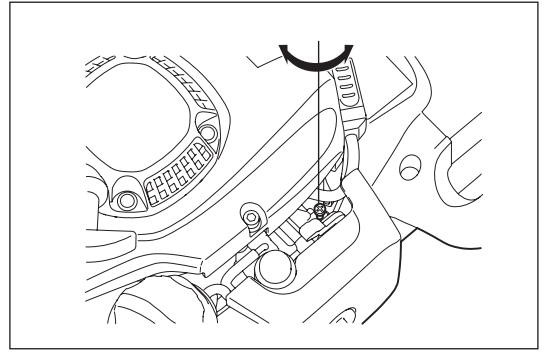
- ① Tuerca
- ② Perno de armadura
- ③ Guía de la cuchilla
- ④ Cuchilla superior
- ⑤ Cuchilla inferior



Comprobación y ajuste de la velocidad de ralentí

Las cuchillas de corte no deben estar en funcionamiento cuando el motor esté al ralentí.

- La velocidad de ralentí debe ajustarse en 3.000 min⁻¹ (rpm).
 - Si es necesario, ajuste el tornillo de ralentí (las cuchillas de corte no deben estar en funcionamiento cuando el motor está al ralentí).
 - Si las cuchillas de corte están en funcionamiento mientras el motor está al ralentí: gire el tornillo de ajuste del ralentí en el sentido contrario a las agujas del reloj para reducir la velocidad del ralentí.
 - Si el motor se para mientras está al ralentí: gire el tornillo de ajuste del ralentí en el sentido de las agujas del reloj para aumentar la velocidad del ralentí.
- Si las cuchillas de corte todavía continúan funcionando al ralentí tras el ajuste, consulte con el agente de servicio autorizado más cercano.
- El embrague debe engranarse como mínimo a 3.750 min⁻¹ (rpm) o más revoluciones.
 - Compruebe el funcionamiento del interruptor I-O, la palanca de desbloqueo y la palanca de la mariposa de gases.



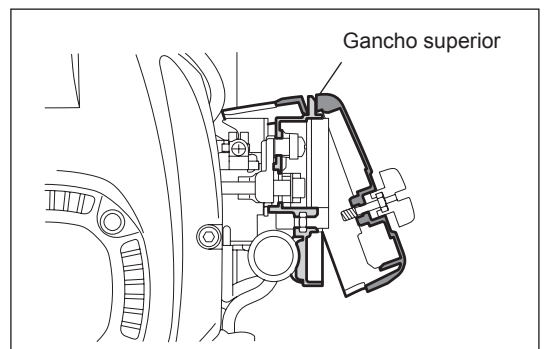
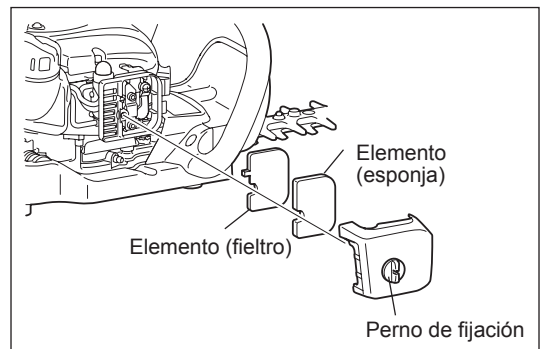
Limpieza del filtro de aire



PELIGRO: Los materiales inflamables están estrictamente prohibidos

Compruebe y limpie el filtro de aire diariamente o cada 10 horas de funcionamiento.

- Gire la palanca del estrangulador hasta el lado de cierre total y mantenga el carburador alejado del polvo o de la suciedad.
- Afloje el perno de fijación.
- Tire del lado posterior de la cubierta del filtro de aire y muévala hacia delante para soltarla.
- Si se ha adherido aceite al elemento (esponja), apriételo con fuerza.
- Si está muy contaminado:
 - 1) Retire el elemento (esponja), sumérjalo en agua caliente o en detergente neutro diluido en agua y séquelo completamente.
 - 2) Limpie el elemento (fieltro) con gasolina y séquelo completamente.
- Antes de montar los elementos, asegúrese de secarlos completamente. Un secado insuficiente de los elementos pueden provocar dificultades para arrancar.
- Limpie con un paño desechable el aceite adherido alrededor del filtro de aire.
- Inmediatamente tras finalizar la limpieza, monte la cubierta del filtro y apriétela con pernos de fijación. (Para volver a montar, primero coloque el gancho superior.)



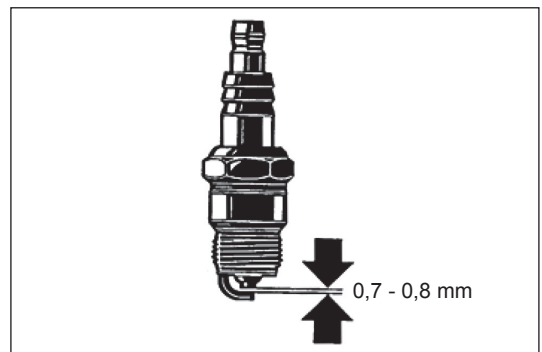
Aspectos sobre el manejo de los elementos del filtro de aire

- Limpie los elementos varias veces al día si se adhiere a ellos un exceso de suciedad.
- Si se continúa con el uso de los elementos sin limpiar el aceite, el aceite del filtro de aire puede caer en el exterior y provocar contaminación de aceite.

Comprobación de la bujía

Compruebe y limpie la bujía diariamente o cada 8 horas de funcionamiento.

- Utilice solamente la llave de vaso suministrada para quitar o poner la bujía.
- La separación entre los dos electrodos de las bujías deberá ser de entre 0,7 y 0,8 mm. Si la separación es demasiado ancha o demasiado estrecha, ajústela. Si la bujía está obstruida con carbonilla o suciedad, límpiela minuciosamente o reemplácela. Utilice un repuesto exacto.



Suministro de grasa y lubricante

- Suministre grasa mediante el engrasador cada 50 horas de uso. (Shell Alvania No. 3 o equivalente)

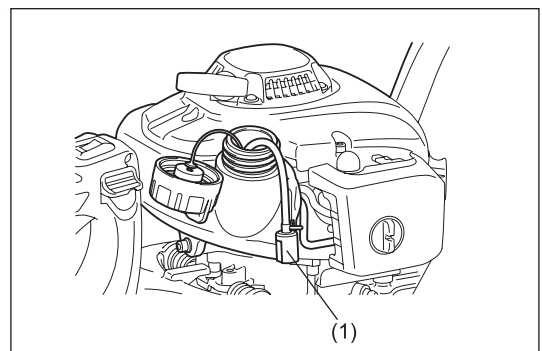
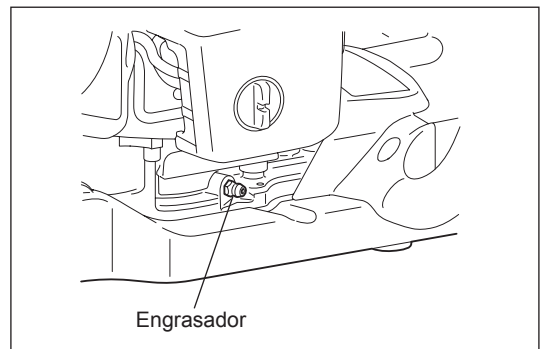
NOTA: Asegúrese de respetar el tiempo y la cantidad de suministro de grasa que se hayan especificado. De lo contrario, un suministro de grasa insuficiente provocará problemas en la máquina.

Limpieza del filtro de combustible (cabezal de succión en el depósito de combustible)

ADVERTENCIA: Los materiales inflamables están estrictamente prohibidos

Compruebe y limpie el filtro de combustible mensualmente o cada 50 horas de funcionamiento.

- El filtro de fieltro (1) del cabezal de succión se utiliza para filtrar el combustible necesario para el carburador.
- Debe realizarse una inspección visual periódica del filtro de fieltro.
- Para inspeccionar el filtro de fieltro, abra la tapa del depósito y utilice un gancho de alambre para extraer el cabezal de succión a través de la apertura del depósito. Sustituya el filtro de fieltro si se ha endurecido, contaminado u obstruido.
- Sustituya el filtro de fieltro como mínimo trimestralmente para garantizar que llegue suficiente suministro de combustible al carburador. De lo contrario, un suministro de combustible insuficiente hará que no se pueda poner en marcha el motor y limitará la velocidad máxima.



Sustitución del conducto de combustible

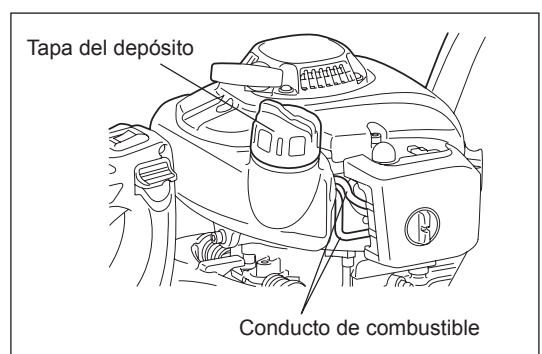
PRECAUCIÓN: Los materiales inflamables están estrictamente prohibidos

Compruebe y limpie el conducto de combustible diariamente o cada 10 horas de funcionamiento.

Sustituya el conducto de combustible cada 200 horas de funcionamiento o cada año independientemente de la frecuencia de funcionamiento. De lo contrario, puede producirse una fuga de combustible que puede provocar un incendio. Si se detecta una fuga durante la inspección, reemplace el conducto inmediatamente.

Sustitución de la tapa del depósito

- Si hay defectos o daños en la tapa del depósito, sustitúyala.
- La tapa del depósito se desgasta con el paso del tiempo. Sustitúyala cada dos o tres años.



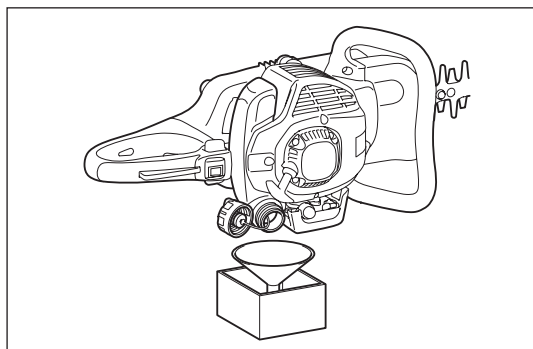
Para cualquier mantenimiento o ajuste no descrito en este manual, consulte con su centro de servicio técnico autorizado de Makita.

Inspección diaria y mantenimiento

Para garantizar una larga vida útil y para evitar daños en el equipo, realice las siguientes operaciones de mantenimiento periódicamente.

- Antes del uso:
 - Compruebe la máquina por si tiene tornillos flojos o si faltan piezas. Preste especial atención al apriete de los tornillos de las cuchillas de corte.
 - Compruebe siempre que el conducto de paso de aire de refrigeración y las aletas del cilindro no estén obstruidas. Límpielos si es necesario.
 - Limpie el depósito de combustible y compruebe si tiene fugas de combustible o si hay objetos extraños dentro de él.
- Después del uso:
 - Limpie el corta setos externamente y busque si hay daños.
 - Limpie el filtro de aire. Cuando trabaje en condiciones extremas de polvo, limpie el filtro varias veces al día.
 - Compruebe si las cuchillas están dañadas y asegúrese de que se hayan montado firmemente.

ALMACENAMIENTO



- Cuando almacene la máquina durante un período de tiempo prolongado, drene el combustible del depósito de combustible y el carburador de la siguiente manera: Drene todo el combustible del depósito de combustible.
- Extraiga la bujía y añada unas cuantas gotas de aceite en el orificio de la bujía. A continuación, tire suavemente del arrancador para asegurarse de que una capa de aceite cubra el interior del motor y apriete la bujía.
- Limpie la suciedad de la cuchilla de corte y del exterior de la máquina, pase un trapo empapado en aceite y mantenga la máquina tan seca como sea posible.

PROGRAMA DE MANTENIMIENTO

Después de cada repostaje	Palanca de la mariposa de gases Interruptor I-O	Comprobación funcional Comprobación funcional
Antes de cada uso	Conjunto del motor, tornillos y tuercas Filtro de aire Conducto de aire de refrigeración Herramientas de corte Velocidad de ralentí Depósito de combustible	Inspección visual de daños y aprietes Comprobación del estado general y la seguridad Debe limpiarse Debe limpiarse Comprobación de daños y del afilado Inspección (la herramienta no se debe mover) Comprobar y limpiar
Cada 50 horas	Caja de engranajes	Suministro de grasa
Semanalmente	Bujía	Comprobación y sustitución si es necesario
Cada año	Conducto de combustible	Debe sustituirse
Cada dos años	Tapa del depósito	Debe sustituirse
Antes del almacenamiento por un período de tiempo prolongado	Depósito de combustible Carburador Cabezal de succión	Debe vaciarse y limpiarse Haga funcionar el motor hasta que se agote el combustible Debe sustituirse

LOCALIZACIÓN DE AVERÍAS

Avería	Sistema	Observación	Causa
El motor no se enciende o lo hace con dificultad	Sistema de encendido	Hay chispa de encendido	Avería en el sistema de suministro de combustible o compresión, defecto mecánico
		No hay chispa de encendido	Se ha utilizado el interruptor I-O, avería del cableado o cortocircuito, bujía o conector defectuoso, módulo de encendido defectuoso
	Suministro de combustible	Depósito de combustible lleno	Posición incorrecta del estrangulador, carburador defectuoso, cabezal de succión (filtro de la línea de combustible) sucio, línea de suministro de combustible doblada o interrumpida
	Compresión	Dentro del motor	Junta inferior del cilindro defectuosa, retenes del cigüeñal dañados, cilindro o anillos del pistón defectuosos
Fuera del motor		Sellado incorrecto de la bujía	
Problemas de arranque en caliente	Avería mecánica	El arrancador no funciona	Muelle del arrancador roto, piezas rotas dentro del motor
		Depósito lleno, se produce la chispa de encendido	Carburador contaminado, límpiolo
El motor arranca pero se para inmediatamente	Suministro de combustible	Depósito lleno	Ajuste de ralentí incorrecto, cabezal de succión o carburador contaminado
			Ventilación del depósito defectuosa, línea de suministro de combustible interrumpida, cable o interruptor I-O defectuoso
Rendimiento insuficiente	Varios sistemas pueden verse afectados simultáneamente	Motor al ralentí	Filtro de aire sucio, carburador sucio, silenciador obstruido, conducto de escape del cilindro obstruido

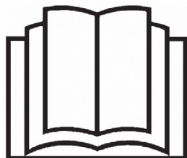
Português

(Instruções de origem)

Obrigado por ter adquirido o aparador de cerca-viva da MAKITA. Temos o orgulho de poder oferecer o Aparador de Cerca-Viva da MAKITA que é o resultado de um longo programa de desenvolvimento e muitos anos de conhecimento e experiência.

Os modelos EH5000W, EH6000W e EH7500W do aparador de cerca-viva combinam as vantagens de tecnologia de vanguarda com design ergonómico, leves, úteis, compactas e representam equipamento profissional para uma grande variedade de aplicações.

Leia, compreenda e siga esta brochura cuidadosamente que se refere em pormenor aos vários pontos que irão demonstrar o fantástico desempenho. Isto irá ajudá-lo a obter em segurança os melhores resultados possíveis do seu Aparador de Cerca-Viva da MAKITA.



Índice

Página

Símbolos.....	87
Instruções de segurança	88
Dados técnicos	91
Designação de peças	92
Combustíveis/reabastecimento	93
Precauções antes de iniciar	94
Ligar a máquina.....	95
Desligar a máquina.....	95
Funcionamento da máquina	96
Ajustar ângulo da pega posterior.....	96
Instruções de manutenção	97
Armazenamento	100
Agenda de manutenção	100
Identificação de falhas.....	100

SÍMBOLOS

É muito importante compreender os símbolos seguintes ao ler este manual de instruções.

	AVISO/PERIGO		Mistura de combustível e óleo
	Leia, compreenda e siga Manual de instruções		Arranque manual do motor
	Proibido		Paragem de emergência
	Proibido fumar		Primeiros-socorros
	Sem chamas abertas		Reciclagem
	Deve utilizar luvas de protecção		LIGAR/ARRANCAR
	Mantenha a área de funcionamento livre de pessoas e animais		DESLIGAR/PARAR
	Utilize protecção para os olhos e ouvidos		Marca CE

INSTRUÇÕES DE SEGURANÇA

Instruções gerais

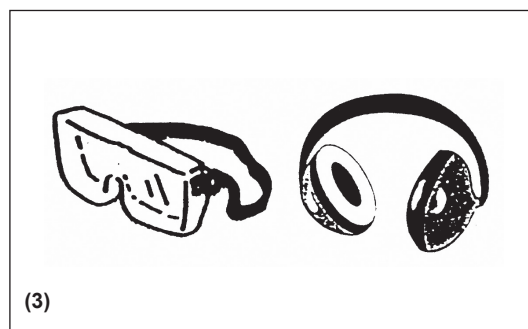
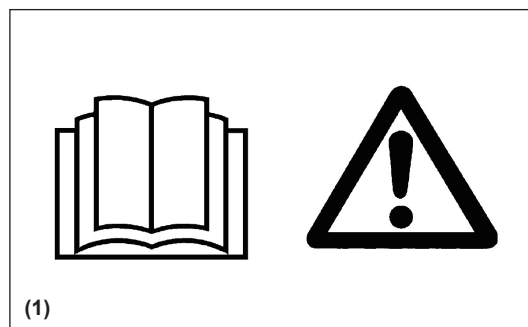
- ESTA MÁQUINA PODE CAUSAR FERIMENTOS GRAVES. Leia atentamente as instruções para o manuseamento, preparação, manutenção, arranque e paragem correctos da máquina. Familiarize-se com todos os controlos e a utilização adequada da máquina. (1)
- É aconselhável emprestar o Aparador de Cerca-Viva apenas a pessoas que demonstraram ter experiência com Aparadores de Cerca-Viva. Empreste-lhes sempre este manual de instruções ao mesmo tempo.
- Se é a primeira vez que utiliza um aparador de cerca-viva com motor, consulte o revendedor para obter as instruções básicas para se familiarizar com o seu manuseamento.
- Crianças e pessoas novas com menos de 18 anos não devem operar o Aparador de Cerca-Viva. Pessoas com mais de 16 anos podem, no entanto, utilizar o dispositivo para efeitos de treino, apenas durante a supervisão de um formador qualificado.
- Utilize o Aparador de Cerca-Viva com o máximo de cuidado e atenção.
- Utilize o Aparador de Cerca-Viva apenas se estiver em boas condições físicas. Efectue todos os trabalhos com calma e cuidado. O utilizador deve aceitar a responsabilidade pelos que estão em sua volta.
- Nunca utilize o Aparador de Cerca-Viva após o consumo de álcool ou drogas, ou se estiver cansado ou doente. (2)

Utilização pretendida da máquina

- O Aparador de Cerca-Viva destina-se apenas a aparar arbustos e cercas-vivas e não pode ser utilizado para outras finalidades. Não abuse do Aparador.

Equipamento de protecção pessoal

- Utilize sempre roupas que sejam funcionais e apropriadas ao seu trabalho, isto é, que fiquem justas mas não demasiado apertadas ao ponto de causar um movimento desconfortável. Não use jóias ou roupas largas que possam interferir no trabalho ou com a máquina.
- Para evitar ferimentos nos olhos, mãos ou pés, assim como para proteger a sua audição, deve utilizar o seguinte equipamento e roupa de protecção durante o funcionamento do Aparador de Cerca-Viva.
- Durante o funcionamento do Aparador de Cerca-Viva, utilize sempre óculos ou um visor para evitar ferimentos oculares. (3)
- Use equipamento de protecção contra ruído adequado para evitar deficiências auditivas, protector auditivo, tampões para os ouvidos, etc. (3).
- Recomendamos vivamente que o utilizador use fatos-macaco. (4)
- Luvas especiais feitas de couro espesso fazem parte do equipamento prescrito e devem ser sempre usadas durante o funcionamento do Aparador de Cerca-Viva. (4)
- Ao usar o Aparador de Cerca-Viva, use sempre sapatos resistentes com uma sola não derrapante. Estes sapatos protegem contra ferimentos e asseguram um bom apoio. (4)



Ligar o Aparador de Cerca-Viva

- Certifique-se de que não há crianças ou outras pessoas a trabalhar num raio de 15 metros (5), tome também atenção a animais nas proximidades.
- Antes de utilizar, certifique-se sempre de que o aparador de cerca-viva está seguro para funcionamento.
- Verifique a segurança da alavanca do acelerador. A alavanca do acelerador deve ser verificada para as acções suaves e fáceis. Verifique o funcionamento adequado do bloqueio da alavanca do acelerador. Certifique-se de que as pegas estão limpas e secas e de que o botão I-O está a funcionar correctamente. Mantenha as pegas isentas de óleo e combustível.

Ligue o Aparador de Cerca-Viva apenas de acordo com as instruções.

Não utilize outros métodos para arrancar o motor (6)!

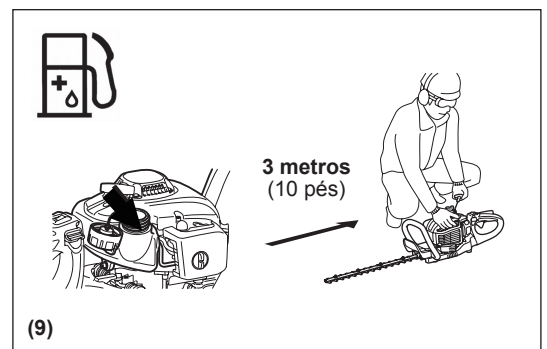
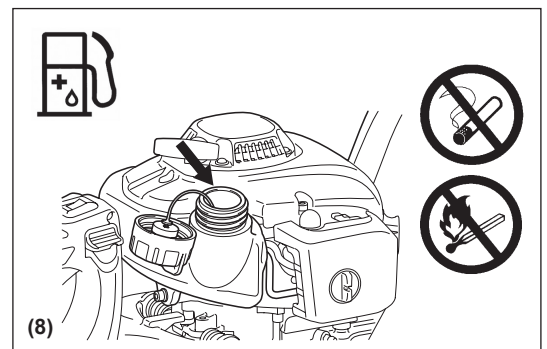
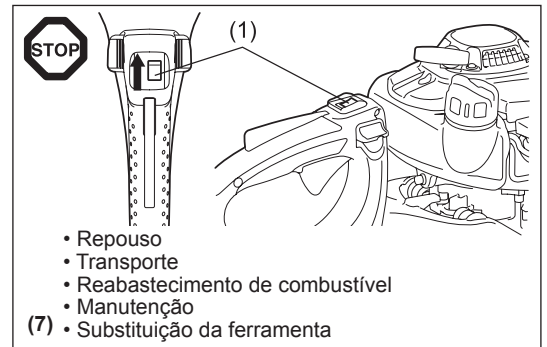
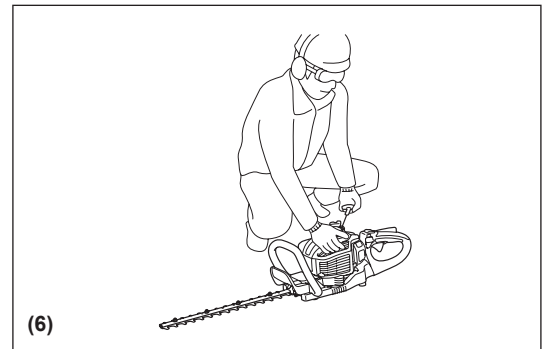
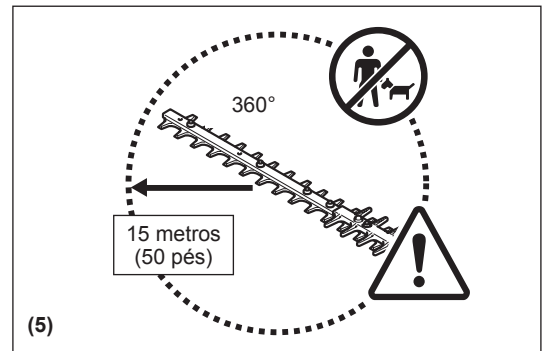
- Utilize o Aparador de Cerca-Viva apenas para as aplicações especificadas.
- Ligue o motor do Aparador de Cerca-Viva apenas após a conclusão da montagem. Não opere o Aparador de Cerca-Viva até que todos os acessórios apropriados estejam instalados!
- Antes de ligar, certifique-se de que a lâmina de corte não entra em contacto com quaisquer objectos como ramos, pedras, etc.
- Em caso de problemas no motor, desligue-o imediatamente.
- Durante o funcionamento, segure as pegas dianteira e traseira firmemente, coloque bem os dedos em torno das mesmas. Mantenha as pegas limpas e isentas de humidade, resina, óleo ou massa lubrificante.

Certifique-se sempre de que tem um apoio seguro e equilibrado.

- Utilize apenas no exterior.
- Esteja sempre consciente do ambiente em redor e permaneça atento a potenciais perigos que pode não ouvir devido ao ruído da máquina.
- Opere o Aparador de Cerca-Viva de maneira a evitar a inalação dos gases de escape. Nunca arranque o motor num espaço fechado (risco de asfixia e envenenamento por gás). O monóxido de carbono é um gás sem odor. Certifique-se sempre de que existe ventilação adequada.
- Desligue o motor quando descansar e quando abandonar o Aparador de Cerca-Viva. Coloque-o num local seguro para evitar ferimentos a terceiros ou incendiar materiais combustíveis ou danos na máquina.
- Nunca coloque o aparador de cerca-viva quente sobre a relva seca ou em quaisquer outros materiais combustíveis.
- Para reduzir os perigos de incêndio, mantenha o motor e o silenciador livres de detritos, folhas ou lubrificante excessivo.
- Nunca opere o motor se o silenciador de escape estiver avariado.
- Desligue o motor durante o transporte (7).
- Desligue o motor antes de:
 - Limpar uma obstrução;
 - Verificar, efectuar manutenção ou trabalhar na máquina.
- Posicione o Aparador de Cerca-Viva em segurança durante o transporte por carro ou camião para evitar fugas de combustível.
- Quando transportar o Aparador de Cerca-Viva, certifique-se de que o depósito de combustível está completamente vazio para evitar fugas de combustível.
- Ao transportar ou guardar a máquina, instale sempre o resguardo do dispositivo de corte.

Reabastecimento de combustível

- Desligue o motor antes de reabastecer com combustível (7), mantenha bem afastado de chamas abertas (8) e não fume.
- Não tente reabastecer um motor quente ou em funcionamento.
- Certifique-se de que produtos de petróleo não entram em contacto com a pele. Não inale os vapores do combustível. Use sempre luvas protectoras durante o reabastecimento. Mude e limpe a roupa protectora em intervalos regulares.
- Para evitar contaminação do solo (protecção ambiental), certifique-se de que não derrama combustível ou óleo no chão. Limpe o aparador de cerca-viva imediatamente após o derramamento de combustível. Permita a secagem das roupas molhadas antes de as colocar num recipiente adequado e coberto para evitar combustão espontânea. Caso contrário, poderá causar combustão espontânea.
- Certifique-se de que o combustível não entra em contacto com as roupas. Em caso de derrame de combustível sobre a roupa, mude-a imediatamente (perigo).
- Inspeccione o tampão de combustível em intervalos regulares, certificando-se de que fica bem apertado.
- Aperte, com cuidado, a tampa do depósito de combustível. Mude de local para arrancar o motor (pelo menos a 3 metros de distância de onde reabasteceu) (9).
- Nunca reabasteça num espaço fechado. Os vapores de combustível acumulam ao nível do solo (risco de explosões).
- Transporte e armazene combustíveis apenas em recipientes aprovados. Certifique-se de que o combustível armazenado não é acessível a crianças.
- Ao misturar gasolina com óleo de motor a dois tempos, utilize apenas gasolina sem etanol ou metanol (tipos de álcool). Isto irá ajudar a evitar danos nas linhas de combustível e noutras peças do motor.

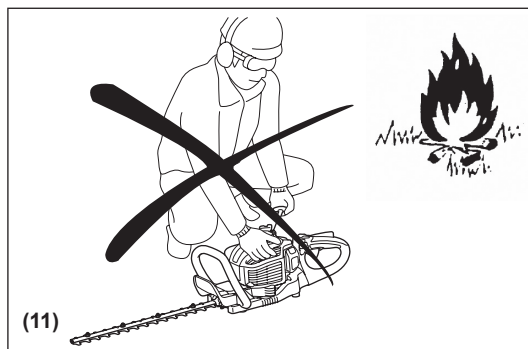


Método de funcionamento

- Utilize sempre duas mãos para segurar as pegas durante o funcionamento.
- Utilize apenas o Aparador de Cerca-Viva com boas condições de iluminação e visibilidade. Durante as estações de frio, tenha cuidado com áreas escorregadias ou molhadas, gelo e neve (risco de escorregar). Certifique-se sempre de que tem um apoio seguro.
- Nunca trabalhe em superfícies instáveis ou terreno com forte inclinação.
- Nunca esteja em cima de uma escada e ligue o Aparador de Cerca-Viva.
- Nunca suba a árvores para executar uma operação de corte com o Aparador de Cerca-Viva.
- Para reduzir o risco de queda e perda de controlo, não caminhe para trás enquanto opera a máquina.
- Desligue sempre o motor antes de limpar ou efectuar a manutenção na unidade ou substituir peças.
- Não utilize a máquina com um dispositivo de corte danificado ou excessivamente gasto.

Instruções de manutenção

- Seja amigo do ambiente. Utilize o Aparador de Cerca-Viva com o mínimo de ruído e poluição possíveis. Em particular, verifique se o carburador está devidamente regulado.
- Limpe o Aparador de Cerca-Viva em intervalos regulares e certifique-se de que todos os parafusos estão bem apertados.
- Nunca armazene nem efectue a manutenção do Aparador de Cerca-Viva perto de chamas abertas, velas, etc. (11).
- Esvazie o depósito de combustível antes de guardar o Aparador de Cerca-Viva.
- Nunca guarde o Aparador de Cerca-Viva perto de chamas livres para evitar incêndios.
- Guarde o Aparador de Cerca-Viva numa divisão bem ventilada e trancada, fora do alcance das crianças.
- Não tente reparar a máquina a menos que seja qualificado.



Cumpra e siga todas as instruções relacionadas com a prevenção de acidentes emitidas pelo conselho de segurança das associações de comércio e pelas seguradoras.

Não efectue quaisquer modificações no Aparador de Cerca-Viva pois isto estará a comprometer a sua segurança.

O desempenho do trabalho de manutenção ou reparação pelo utilizador é limitado às actividades descritas neste manual de instruções. O resto do trabalho deverá ser efectuado por Agentes de Serviço Autorizados.

Utilize apenas peças e acessórios sobressalentes originais fornecidos pelos centros de assistência autorizados ou de fábrica MAKITA.

Utilizar acessórios e ferramentas não aprovados provocará um risco maior de acidentes e ferimentos. A MAKITA não será responsável por acidentes ou danos causados pela utilização de quaisquer acessórios não aprovados.

Primeiros-socorros

Em caso de acidente, certifique-se de que um kit de primeiros-socorros devidamente equipado e em conformidade com DIN 13164, está disponível nas proximidades das operações de corte.

Substitua imediatamente qualquer item retirado do kit de primeiros socorros.

Ao pedir ajuda, forneça a seguinte informação:

- Local do acidente
- O que aconteceu?
- Número de pessoas feridas
- Extensão dos ferimentos
- O seu nome

Embalar

O Aparador de Cerca-Viva MAKITA é entregue numa caixa de cartão de protecção para evitar danos de envio. O cartão é uma matéria-prima básica e, logo, é consequentemente reutilizável ou adequado para reciclagem (reciclagem de papel/ cartão).



DECLARAÇÃO DE CONFORMIDADE CE

A Makita Corporation, na qualidade do fabricante responsável, declara que a(s) máquina(s) Makita seguinte(s):

Designação da máquina: Aparador de Cerca-Viva a Gasolina

N.º de modelo/Tipo: EH5000W, EH6000W, EH7500W

Especificações: consulte "DADOS TÉCNICOS"

são produzidas em série e

Estão em conformidade com a(s) Directiva(s) Europeia(s) seguinte(s):

2000/14/CE, 2006/42/CE

E são fabricadas de acordo com a(s) norma(s) ou os documento(s) padronizado(s) seguinte(s):

EN ISO 10517

A documentação técnica é mantida pelo nosso representante autorizado na Europa, que é:

Makita International Europe Ltd.

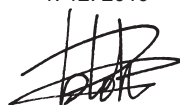
Michigan Drive, Tongwell, Milton Keynes, Bucks MK15 8JD, Inglaterra

O procedimento de avaliação da conformidade requisitado pela Directiva 2000/14/CE estava em conformidade com o anexo V.

Nível de potência sonora medida: EH5000W 104,0 dB (A), EH6000W 104,2 dB (A), EH7500W 104,8 dB (A)

Nível de potência sonora garantida: Todos os modelos 106 dB (A)

1. 12. 2010



Tomoyasu Kato
Director

Makita Corporation

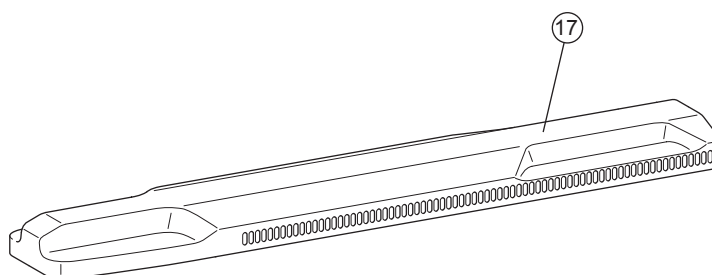
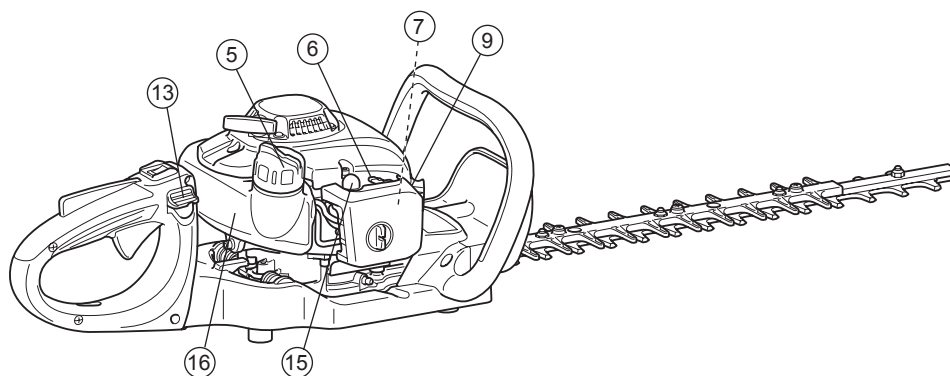
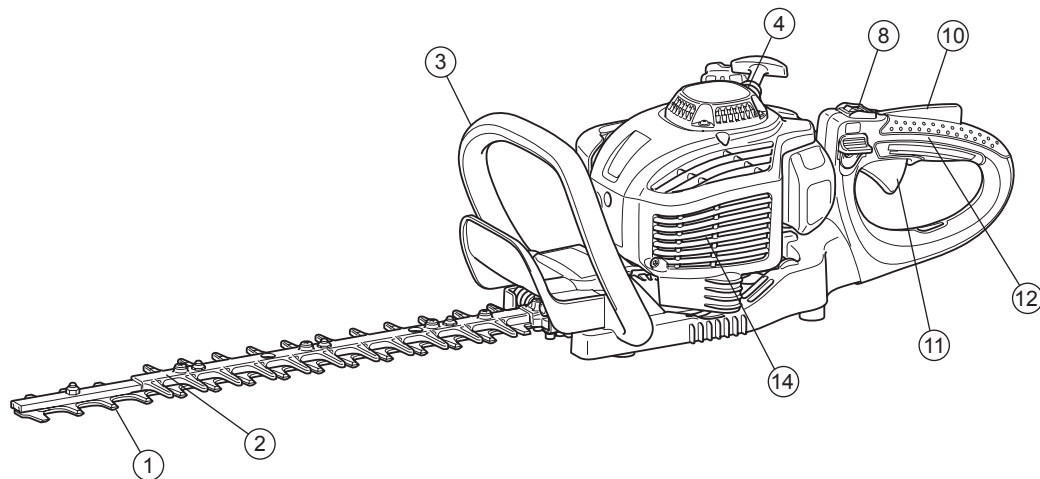
3-11-8, Sumiyoshi-cho,

Anjo, Aichi, 446-8502, JAPÃO

DADOS TÉCNICOS

Modelo			EH5000W	EH6000W	EH7500W	
Dimensões (C x L x A)		mm	1.014 x 262 x 216	1.119 x 262 x 216	1.259 x 262 x 216	
Peso (sem tampa da lâmina)		kg	4,8	5,0	5,2	
Volume (depósito de combustível)		L	0,4			
Deslocamento do motor		cm ³	22,2			
Comprimento de corte		mm	483	588	728	
Desempenho máximo do motor		kW	0,68			
Velocidade máxima da lâmina		min ⁻¹	4.270			
Velocidade em marcha lenta		min ⁻¹	3.000			
Velocidade da embraiação		min ⁻¹	4.000			
Tipo de carburador		tipo	WALBRO WYL			
Sistema de ignição		tipo	Ignição de estado sólido			
Vela de ignição		tipo	NGK CMR6A			
Separação de eléctrodos		mm	0,7 - 0,8			
Vibração por EN ISO 10517	Pega direita	$a_{hv\ eq}$	m/s ²	2,5	2,7	2,3
		Incerteza K	m/s ²	1,3	1,1	1,6
	Pega esquerda	$a_{hv\ eq}$	m/s ²	2,5	2,8	2,3
		Incerteza K	m/s ²	1,3	1,1	1,2
Ruído por EN ISO 10517	Nível de pressão sonora		dB (A)	93,0	92,8	93,9
		Incerteza K	dB (A)	1,4	2,2	1,2
	Nível de potência sonora		dB (A)	103,0	103,2	103,8
		Incerteza K	dB (A)	2,1	1,5	1,3
Relação de mistura (combustível: óleo de motor)		Óleo de motor a dois tempos original da MAKITA		50 : 1		
		Óleo do motor a dois tempos de outro fabricante		25 : 1		
Relação de transmissão			9 : 43			

DESIGNAÇÃO DE PEÇAS



	DESIGNAÇÃO DE PEÇAS		DESIGNAÇÃO DE PEÇAS		DESIGNAÇÃO DE PEÇAS
1	Lâmina	7	Carburador (não apresentado)	13	Alavanca de libertação
2	Extensão sem lâmina	8	Botão I-O (LIGAR/DESLIGAR)	14	Silenciador
3	Pega dianteira	9	Vela de ignição	15	Bomba de ferragem
4	Arranque por fio	10	Alavanca de bloqueio	16	Depósito de combustível
5	Tampa do depósito de combustível	11	Alavanca do acelerador	17	Cobertura da lâmina
6	Alavanca do afogador	12	Alavanca posterior		

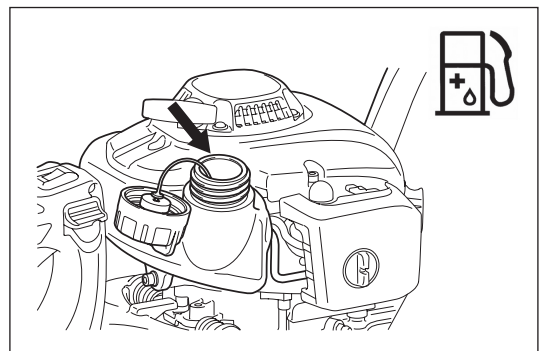
Mistura de combustível e óleo

- O motor do Aparador de Cerca-Viva é um motor a dois tempos de eficiência elevada. É alimentado com uma mistura de combustível e óleo de motor de dois tempos. O motor funciona com combustível normal sem chumbo com um valor mínimo de octano de 91 ROZ. Caso esse combustível esteja indisponível, pode utilizar combustível com um valor de octano superior. Isto não irá danificar o motor, mas pode causar um fraco comportamento de funcionamento. Irá ocorrer uma situação semelhante com a utilização de combustível com chumbo. Para obter um funcionamento do motor óptimo e para proteger a sua saúde e ambiente, utilize apenas combustível sem chumbo!
- Para lubrificar o motor utilize um óleo de motor a dois tempos (grau de qualidade: TSC-3), que é adicionado ao combustível. O motor destina-se a utilização com óleo de motor a dois tempos MAKITA e uma relação de mistura de 50:1 apenas para proteger o ambiente. Além disso, é garantida uma vida útil longa e um funcionamento fiável com uma emissão mínima de gases de escape. É absolutamente essencial cumprir uma relação de mistura de 50:1 (Óleo de motor a 2 tempos MAKITA), caso contrário, o funcionamento fiável do Aparador de Cerca-Viva não pode ser garantido.
- A relação de mistura correcta:
Gasolina: Óleo do motor a dois tempos especificado = 50 : 1
Gasolina: Óleo do motor a dois tempos de outro fabricante = 25: 1
recomendado

NOTA: Para preparar a mistura de combustível-óleo, misture primeiro a quantidade de óleo inteira com metade do combustível necessário, num recipiente aprovado que cumpre todas as normas de código local. De seguida, adicione o combustível restante. Agite bem a mistura antes de a verter no depósito do Aparador de Cerca-Viva. Não deve adicionar mais óleo de motor do que aquele especificado, para garantir um funcionamento seguro. Só irá resultar numa produção superior de resíduos de combustão que irão poluir o ambiente e obstruir o canal de escape no cilindro, assim como o silenciador. Para além disso, o consumo de combustível aumentará e o desempenho diminuirá.

Manusear produtos de petróleo

É necessário ter muito cuidado ao manusear combustível. O combustível pode conter substâncias semelhantes a solventes. Efectue o reabastecimento numa área bem ventilada ou ao ar livre. Não inale vapores de combustível, evite qualquer contacto do combustível ou óleo com a sua pele. Se a sua pele entrar repetidamente em contacto com estas substâncias e durante um longo período de tempo, a pele irá dissecar. Podem resultar várias doenças de pele. Além disso, podem ocorrer reacções alérgicas. Os olhos podem ficar irritados através do contacto com o óleo, combustível etc. Se óleo, combustível, etc., entrar em contacto com os seus olhos, lave-os imediatamente com água limpa. Se os seus olhos ainda estiverem irritados, consulte imediatamente um médico!



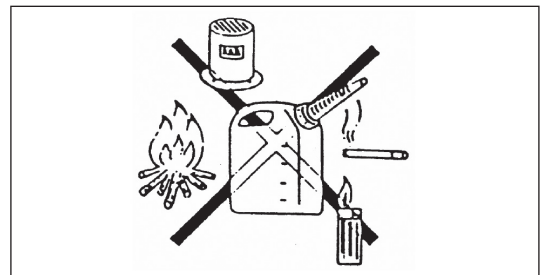
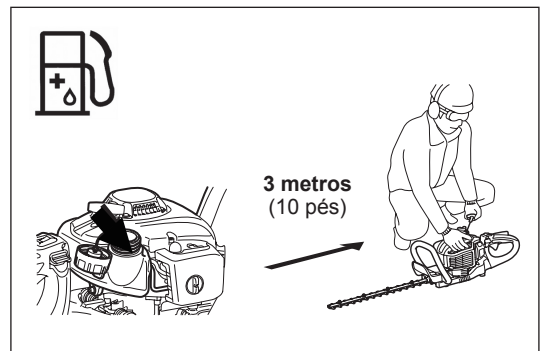
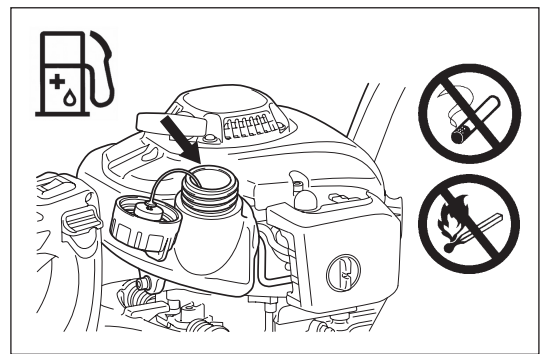
Gasolina	Óleo
50:1	50:1 25:1
1.000 cm ³ (1 litro) 5.000 cm ³ (5 litro) 10.000 cm ³ (10 litro)	20 cm ³ 40 cm ³ 100 cm ³ 200 cm ³ 200 cm ³ 400 cm ³

Reabastecimento de combustível

- O motor deve ser desligado.
- Desligue o motor durante o reabastecimento de combustível, mantenha-se longe das chamas e não fume.
- Para evitar contaminação do solo, certifique-se de que não derrama combustível ou óleo no chão. Limpe o aparador de cerca-viva imediatamente após o derramamento de combustível.
- Não derrame combustível no motor. Se necessário, limpe para evitar incêndios.
- Certifique-se de que o combustível não entra em contacto com as roupas. Se o combustível entrar em contacto com as suas roupas, mude essas roupas imediatamente (para evitar um incêndio).
- Inspeccione a tampa do depósito em intervalos regulares para se certificar de que está bem seguro e não pinga.
- Aperte, com cuidado, a tampa do depósito de combustível. Mude de local para arrancar o motor (pelo menos a 3 metros de distância de onde reabasteceu).
- Nunca reabasteça num espaço fechado. Os vapores de combustível acumulam ao nível do solo (Risco de explosões.)
- Transporte e armazene o combustível apenas em recipientes aprovados. Certifique-se de que o combustível armazenado não é acessível a crianças.
- Limpe minuciosamente a área em torno da tampa do depósito para evitar a entrada de sujidade no depósito de combustível.
- Desaperte a vela e encha o depósito com combustível. Utilize um funil de tela para filtrar o combustível.
- Aperte bem a vela, manualmente apenas.
- Limpe em redor da vela e do depósito após o reabastecimento.
- Limpe sempre o combustível derramado para evitar um incêndio.

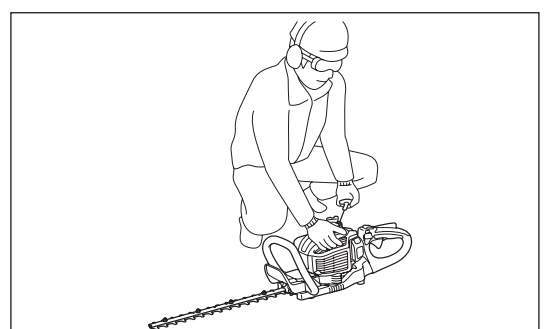
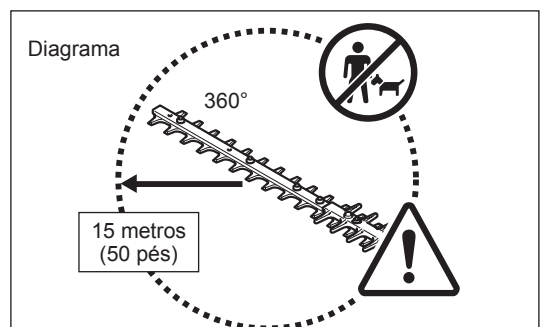
Armazenamento de combustível

- O combustível não pode ser guardado durante um período ilimitado de tempo.
- Adquira apenas a quantidade necessária durante um período de funcionamento de 4 semanas.
- Utilize apenas recipientes de armazenamento de combustível aprovados.



PRECAUÇÕES ANTES DE INICIAR

- Certifique-se de que não há crianças ou outras pessoas a trabalhar num raio de 15 metros. Tome também atenção a animais nas proximidades.
- Antes de utilizar, certifique-se sempre de que o Aparador de Cerca-Viva pode funcionar em segurança. Certifique-se de que o dispositivo de corte não está danificado e verifique o funcionamento correcto da alavanca de controlo e do botão I-O. A rotação das lâminas de corte durante a marcha lenta é proibida. Consulte o seu revendedor se achar que o equipamento pode precisar de ajustes. Certifique-se de que as pegas estão limpas e secas e de que o botão I-O está a funcionar correctamente.
- Ligue o Aparador de Cerca-Viva apenas de acordo com as instruções. Não utilize outros métodos para arrancar o motor. (Consulte Ligar)
- Ligue o motor apenas após a conclusão da montagem. Não opere o motor até que todos os acessórios apropriados estejam fixos. Caso contrário, existe um risco de ferimentos.
- Antes de iniciar, certifique-se de que o dispositivo de corte não entrará em contacto com objectos como ramos, pedras, etc.
- Antes de aparar, inspeccione a área por fios, cabos, vidro ou outros objectos estranhos que podem entrar em contacto com a lâmina.
- Choques eléctricos. Tenha cuidado com todas as linhas e cercas eléctricas. Inspeccione todas as áreas por linhas eléctricas antes de cortar.



LIGAR A MÁQUINA

Desloque no mínimo 3 metros longe do local de abastecimento. Coloque o Aparador de Cerca-Viva numa área limpa do chão. Certifique-se de que as lâminas de corte não entram em contacto com o chão ou com quaisquer outros objectos.

Arranque a frio: (Quando o motor está frio, permanece desligado durante mais de 5 minutos ou quando o combustível é adicionado ao motor.)

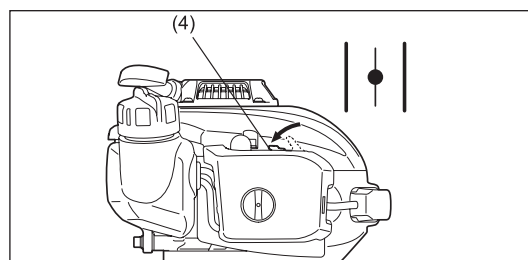
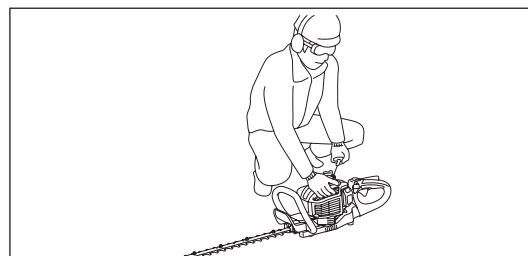
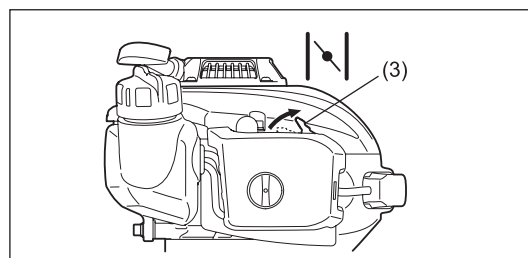
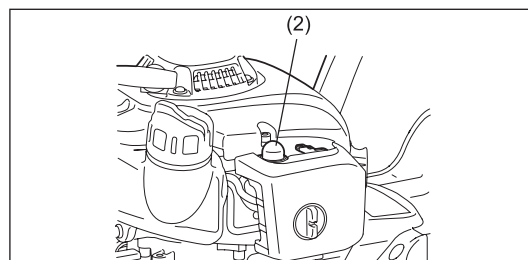
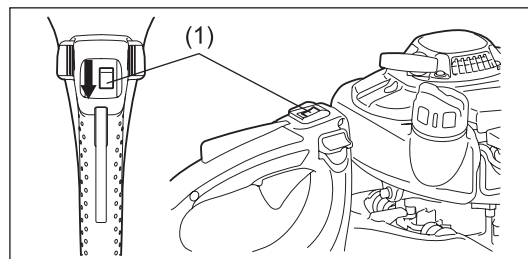
1. Coloque o botão I-O (1) na posição "I".
2. Empurre ligeira e repetidamente a bomba de ferragem (2) (7 a 10 vezes) até o combustível entrar na bomba de ferragem.
3. Desloque a alavanca do afogador (3) para a posição "I".
4. Segure o Aparador de Cerca-Viva com firmeza para não perder o controlo quando liga o motor. Se não segurar adequadamente, o motor pode desequilibrá-lo ou oscilar a lâmina de corte na direcção de uma obstrução ou do seu corpo.
5. Puxe lentamente a pega de arranque 10 a 15 cm e verifique a localização de pressão.
6. Puxe com força quando sentir a pressurização e ligue o motor.
7. Quando o motor arranca ou arranca e pára, coloque a alavanca do afogador (4) para "I".
8. Deixe o motor ligado durante aproximadamente um minuto a uma velocidade moderada antes de aplicar a velocidade máxima.

Nota: • Se a pega de arranque é puxada repetidamente quando a alavanca do afogador permanece na posição "I", o motor não arranca facilmente devido a entrada excessiva de combustível.

- Em caso de entrada excessiva de combustível, remova a vela de ignição e puxe a pega de arranque lentamente para remover o combustível em excesso. Também deverá limpar a secção dos eléctrodos da vela de ignição.

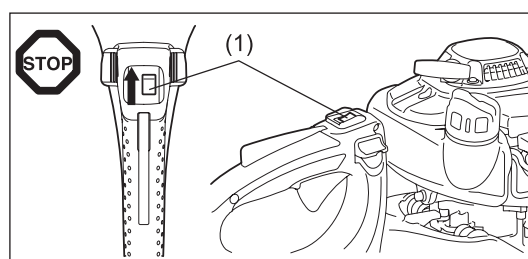
Arranque a quente: (Ligar nova e imediatamente após o motor ter desligado.) Ao reiniciar um motor quente, tente primeiro o procedimento acima: 1, 2, 4, 5, 6 com a alavanca do afogador (4) para "I". Se o motor não ligar, repita os passos acima 1-8.

Nota: Não puxe o cordão de arranque ao máximo. Não permita que a pega de arranque seja retraída sem controlo. Certifique-se de que retrai lentamente.



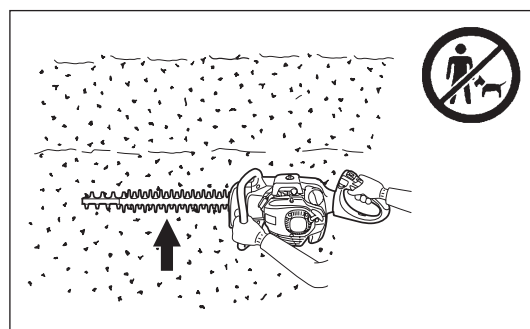
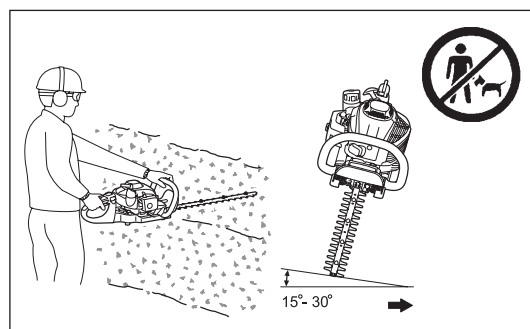
DESLIGAR A MÁQUINA

1. Solte a alavanca do acelerador por completo.
2. Coloque o botão I-O (1) na posição "O". A rotação do motor diminuirá e o motor desligar-se-á.



FUNCIONAMENTO DA MÁQUINA

- Nunca utilize o Aparador de Cerca-Viva sem segurar firmemente.
- Nunca toque nas lâminas de corte quando ligar o motor e durante o funcionamento.
- Opere o Aparador de Cerca-Viva de maneira a evitar a inalação dos gases de escape. Nunca arranque o motor num espaço fechado (Risco de envenenamento por gás). O monóxido de carbono é um gás sem odor.
- Todas as instalações de protecção com um resguardo fornecido com a máquina, devem ser usados durante o funcionamento.
- Nunca opere o motor se o silenciador de escape estiver avariado ou em falta.
- Utilize apenas o Aparador de Cerca-Viva com boas condições de iluminação e visibilidade.
- Durante a época de Inverno, tenha cuidado com áreas escorregadias ou molhadas, gelo e neve. (Risco de escorregar.) Certifique-se sempre de que tem um apoio seguro.
- Nunca esteja em cima de uma escada e ligue o Aparador de Cerca-Viva. Mantenha ambos os pés no chão.
- Nunca suba a árvores com o Aparador de Cerca-Viva para executar uma operação de corte.
- Nunca trabalhe em superfícies instáveis.
- Remova areia, pedras, pregos, fios, etc. encontrados na área de trabalho. Os objectos estranhos podem danificar as lâminas de corte.
- Antes da operação de corte, corte ramos de 8 mm ou mais espessos com tesouras de poda.
- Antes de começar a cortar, certifique-se de que as lâminas de corte atingiram a velocidade de funcionamento total.
- Segure sempre o Aparador de Cerca-Viva firmemente com ambas as mãos apenas nas pegas.
- Segure bem com os polegares e os dedos a envolver as pegas.
- Quando solta o acelerador, as lâminas de corte demoram alguns momentos até pararem.
- O Aparador de Cerca-Viva não pode ser utilizado para cortar com um ralenti rápido. A velocidade de corte não pode ser ajustada com o controlo de acelerador na posição de ralenti rápido.
- Ao cortar uma cerca-viva, o Aparador de Cerca-Viva deve ser agarrado de modo a que as lâminas formem um ângulo de 15-30° com a linha de corte.
- Preste atenção ao cortar cercas-vivas que estão dispostas ao longo de uma cerca eléctrica e que atravessam a cerca.
- As lâminas não podem entrar em contacto com objectos duros como cercas eléctricas, pedras ou o solo. Pode resultar em fissuras ou quebras das lâminas.
- Caso as lâminas de corte atinjam pedras ou outros objectos duros, desligue imediatamente o motor e inspecione as lâminas de corte por danos. Substitua as lâminas danificadas antes de recomeçar o trabalho.
- Descanse periodicamente. A Makita recomenda fazer um intervalo de 10 a 20 minutos após cada 50 minutos de funcionamento.
- Desligue o motor imediatamente se ocorrer algum tipo de problema no motor.
- Utilize o Aparador de Cerca-Viva com o mínimo de ruído e contaminação possíveis. Em particular, verifique se o carburador está devidamente instalado, assim como a relação combustível/óleo.
- Não tente retirar material encravado quando as lâminas estão em funcionamento. Pouse a unidade, desligue-a e retire os cortes necessários.



AJUSTAR ÂNGULO DA PEGA POSTERIOR

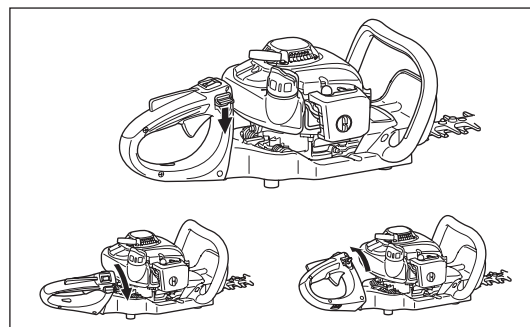
A pega posterior pode ser rodada 90° para a esquerda ou direita e definida a 45° para cada lado.

Para alterar o ângulo:

1. Pressione a alavanca de libertação para libertar o bloqueio.
2. Rode a pega para um ângulo de 0°, 45° ou 90°.
3. Certifique-se de que a alavanca de libertação regressa à posição original para activar o bloqueio.

Não puxe a alavanca do acelerador enquanto o bloqueio é libertado.

Não liberte o bloqueio durante o funcionamento.



INSTRUÇÕES DE MANUTENÇÃO

- Desligue o motor e remova o conector da vela de ignição ao limpar/substituir/afiar as lâminas de corte ou efectuar qualquer manutenção.
- Nunca alise ou solde uma lâmina de corte danificada.
- Inspeccione as lâminas de corte com o motor desligado em intervalos curtos e regulares por danos.
- Mantenha as lâminas de corte afiadas.
- Limpe o Aparador de Cerca-Viva e certifique-se periodicamente de que todos os parafusos e porcas estão bem apertados.
- Nunca repare o Aparador de Cerca-Viva perto de chamas livres para evitar incêndios.
- Use sempre luvas de couro ao manusear ou afiar as lâminas, uma vez que estão afiadas.

Afiação da lâmina

Se as extremidades estiverem redondas e não cortarem bem, rectifique apenas as partes sombreadas. Não rectifique as superfícies de contacto (superfícies de deslizamento) das extremidades superiores e inferiores.

- Antes da rectificação, certifique-se de que segura bem a lâmina, desligue o motor e retire a tampa da vela de ignição.
- Use luvas, óculos de protecção, etc.
- Não retire demasiado material. Perde a camada endurecida e fica opaca muito rapidamente na utilização.

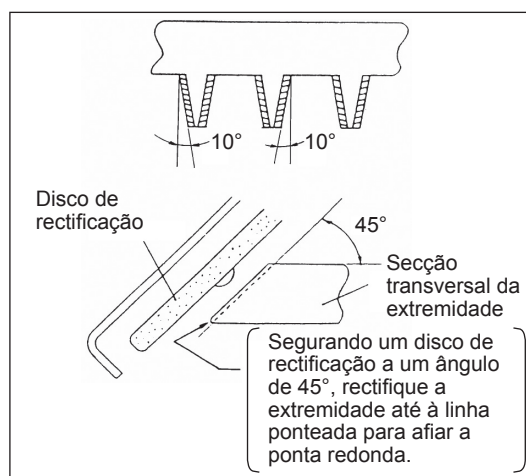
Ajuste da lâmina

As lâminas superior/inferior desgastam-se. Quando verificar que as lâminas não aparam mesmo estando afiadas, ajuste-as da seguinte forma:

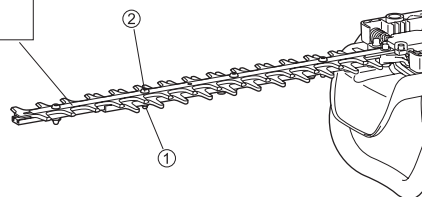
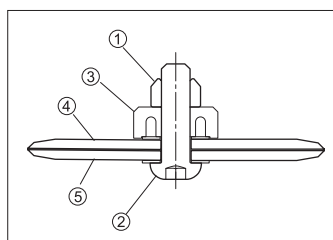
1. Retire a extensão sem lâmina desapertando os parafusos.
2. Desaperte a porca (1) com uma chave de porcas.
3. Aperte o parafuso (2) com uma chave sextavada ligeiramente até parar de rodar e, de seguida, volte a aparafusar um quarto de volta.
4. Aperte a porca (1), segurando o parafuso (2).
5. Aplique óleo leve na superfície de contacto das lâminas.
6. Ligue o motor, ligue e desligue o acelerador durante um minuto.
7. Meça o tempo necessário para as lâminas pararem após libertar o acelerador. Se for dois segundos ou mais, desligue o motor e repita o passo de 2 a 7.
8. Desligue o motor e toque na superfície da lâmina. Se não estiverem demasiado quentes para tocar, então, efectuou o ajuste adequado. Se estiverem demasiado quentes para tocar, rode o parafuso (2) um pouco para trás e repita o passo de 6 a 8.
9. Instale a extensão sem lâmina apertando os parafusos.

NOTA: Antes de efectuar o ajuste, desligue o motor e aguarde a paragem das lâminas.

As lâminas têm uma ranhura em torno do parafuso (2). Caso encontre pó na extremidade de qualquer uma das ranhuras, limpe-o.



- ① Porca
- ② Parafuso
- ③ Lâmina-guia
- ④ Lâmina superior
- ⑤ Lâmina inferior



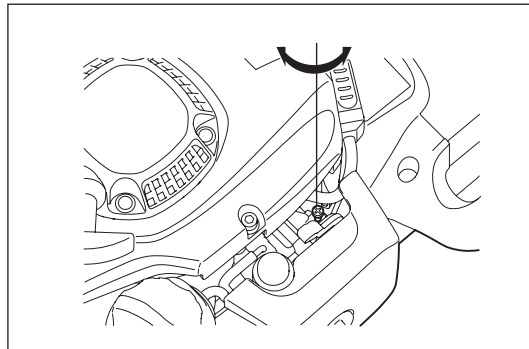
Verificar e ajustar a velocidade de marcha lenta

As lâminas de corte não devem funcionar quando o motor está ao ralenti.

- A velocidade de marcha lenta deve estar definida para 3.000 min⁻¹ (rpm).
- Se necessário, ajuste o parafuso de ralenti (a lâmina de corte não deve funcionar quando o motor está em marcha lenta).
 - As lâminas de corte funcionam durante a marcha lenta - rode o parafuso de ralenti para a esquerda para reduzir a velocidade de ralenti.
 - O motor pára durante a marcha lenta - rode o parafuso de ralenti para a direita para aumentar a velocidade de ralenti.

Se as lâminas de corte ainda continuarem a funcionar após a regulação, consulte o agente de serviço autorizado mais próximo.

- A embraiagem deve engrenar no mínimo a 3.750 min⁻¹ (rpm) ou mais.
- Verifique o funcionamento do botão I-O, a alavanca de bloqueio e a alavanca do acelerador.



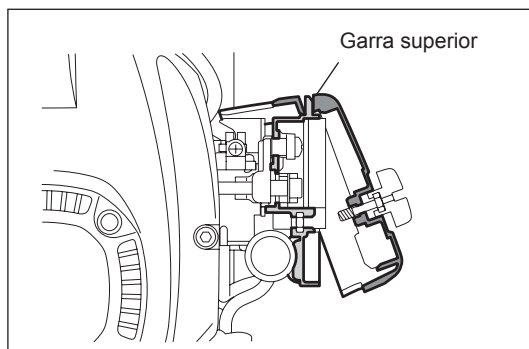
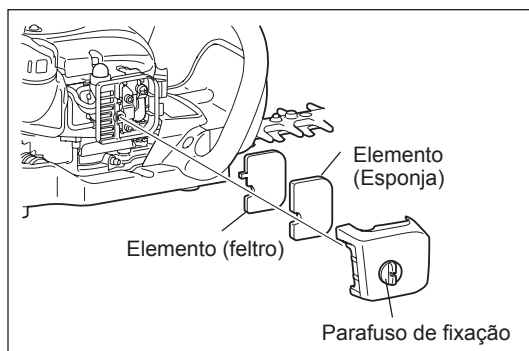
Limpar o filtro de ar



PERIGO: Inflamáveis estritamente proibidos

Verifique e limpe o filtro de ar diariamente ou a cada 10 horas de funcionamento.

- Rode a alavanca do afogador para o lado totalmente fechado e mantenha o carburador longe de qualquer pó ou sujeira.
- Desaperte o parafuso de fixação.
- Puxe o lado traseiro da tampa do filtro de ar e desloque para a frente para desencaixar.
- Se o óleo aderir ao elemento (esponja), esprema-o firmemente.
- Em caso de forte contaminação:
 - 1) Retire o elemento (esponja), coloque-o dentro de água quente ou detergente neutro solúvel na água e seque-o por completo.
 - 2) Limpe o elemento (feltro) com gasolina e seque-o por completo.
- Antes de encaixar os elementos, certifique-se de que o seca por completo. Uma secagem incompleta dos elementos pode provocar um arranque difícil.
- Limpe o óleo em torno do filtro de ar com desperdícios.
- Imediatamente após o final da limpeza, encaixe a tampa do filtro e aperte-a com parafusos de fixação. (Na montagem, coloque primeiro a garra superior.)



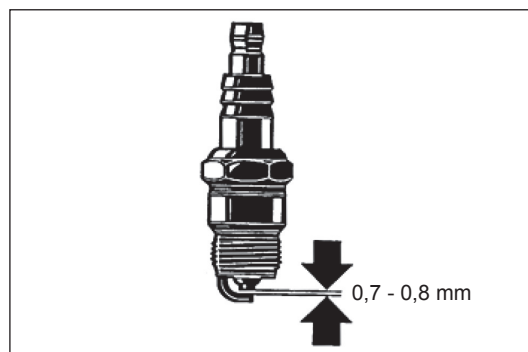
Pontos sobre o manuseamento dos elementos do filtro de ar

- Limpe os elementos várias vezes ao dia, em caso de excesso de pó.
- Se o funcionamento continuar com os elementos ainda com óleo, o óleo no filtro pode transbordar resultando em contaminação do óleo.

Verificar a vela de ignição.

Verifique e limpe a vela de ignição diariamente ou a cada 8 horas de funcionamento.

- Utilize apenas a chave universal fornecida para remover ou instalar a vela de ignição.
- A folga entre os dois eléctrodos da vela de ignição deve ser entre 0,7 e 0,8 mm. Se a folga for demasiado grande ou pequena, ajuste-a. Se a vela de ignição estiver entupida com carbono ou suja, limpe-a rigorosamente ou substitua-a. Utilize uma substituição exacta.



Fornecimento de massa lubrificante

- Forneça massa lubrificante a partir do bico de lubrificação a cada 50 horas de funcionamento. (Shell Alvania N° 3 ou equivalente)

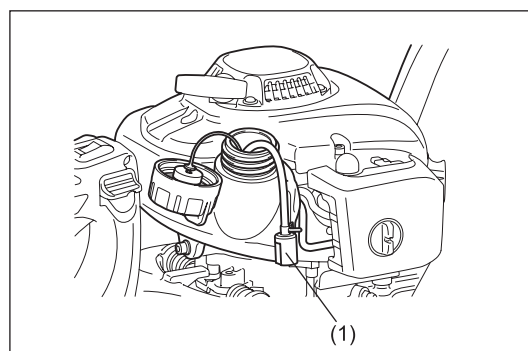
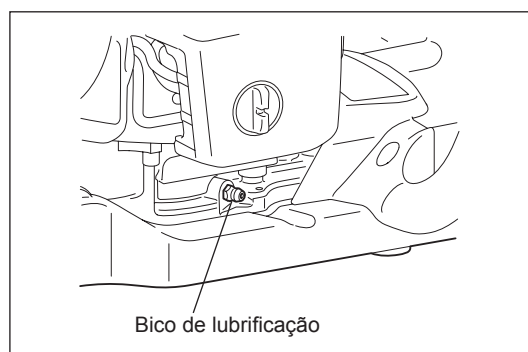
NOTA: Certifique-se de que cumpre o tempo e quantidades especificados de fornecimento de massa lubrificante. Caso contrário, a máquina pode avariar devido a falta de massa lubrificante.

Limpeza do filtro de combustível (cabeça de sucção no depósito de combustível)

AVISO: Inflamáveis estritamente proibidos

Verifique e limpe o filtro de combustível mensalmente ou a cada 50 horas de funcionamento.

- O filtro de feltro (1) da cabeça de sucção é utilizado para filtrar o combustível requerido pelo carburador.
- Deve ser efectuada uma inspecção visual periódica do filtro de feltro.
- Para isso, abra a tampa do depósito, utilize um gancho metálico e retire a cabeça de sucção pela abertura do depósito. Os filtros que estiverem duros, poluídos ou obstruídos, devem ser substituídos.
- Substitua o filtro de feltro, no mínimo, a cada três meses para garantir um fornecimento de combustível suficiente para o carburador. Caso contrário, um fornecimento de combustível insuficiente irá causar falhas no arranque do motor e uma velocidade máxima limitada.



Substituição do tubo de combustível

PRECAUÇÃO: Inflamáveis estritamente proibidos

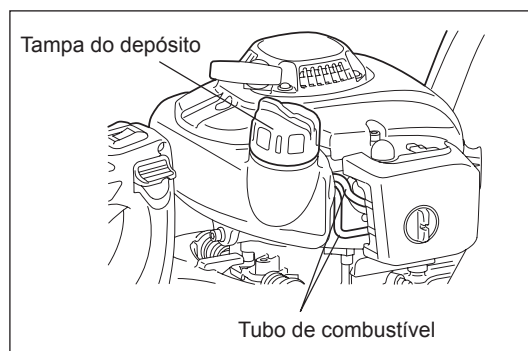
Verifique e limpe o tubo de combustível diariamente ou a cada 10 horas de funcionamento.

Substitua o tubo de combustível a cada 200 horas de funcionamento ou todos os anos, independentemente da frequência de funcionamento. Caso contrário, as fugas de combustível podem provocar um incêndio.

Se detectar alguma fuga durante a inspecção, substitua o tubo de combustível imediatamente.

Substituição da tampa do depósito

- Se a tampa do depósito tiver falhas ou danos, substitua-a.
- A tampa do depósito desgasta-se ao longo do tempo. Substitua-o a cada dois ou três anos.



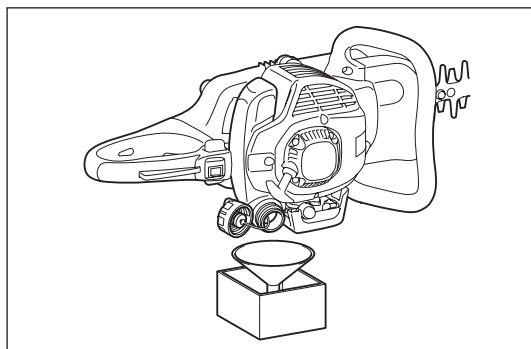
Para quaisquer operações de manutenção ou ajuste não descritas neste manual, consulte o seu centro de assistência autorizados ou de fábrica MAKITA.

Inspecção e manutenção diárias

Para garantir um longo tempo de funcionamento e para evitar quaisquer danos no equipamento, as seguintes operações de serviço devem ser executadas em intervalos regulares.

- Antes do funcionamento;
 - Verifique se existem parafusos soltos na máquina ou se faltam peças. Tome atenção à estanquicidade dos parafusos da lâmina de corte.
 - Verifique a passagem de ar de refrigeração e as alhetas do cilindro por obstruções. Limpe-as se necessário.
 - Limpe e verifique o depósito de combustível por fugas de combustível e objectos estranhos no depósito.
- Após o funcionamento;
 - Limpe o Aparador de Cerca-Viva e inspeccione por danos.
 - Limpe o filtro de ar. Ao trabalhar em condições de muito pó, limpe o filtro várias vezes por dia.
 - Inspeccione as lâminas por danos e certifique-se de que estão bem montadas.

ARMAZENAMENTO



- Quando deixar a máquina armazenada durante muito tempo, purgue o combustível do depósito de combustível e o carburador, da seguinte forma: Purgue o combustível do depósito de combustível.
- Remova a vela de ignição e adicione algumas gotas de óleo no orifício da vela de ignição. De seguida, puxe o motor de arranque suavemente para confirmar que a película de óleo cobre o motor no interior e aperte a vela de ignição.
- Limpe a sujidade ou pó da lâmina de corte e no exterior do motor, limpe-os com um pano imerso em óleo e mantenha a máquina num local o mais seco possível.

AGENDA DE MANUTENÇÃO

Após cada reabastecimento	Alavanca do acelerador Botão I-O	Verifique a função Verifique a função
Antes de cada utilização	Montagem do motor, parafusos e porcas Filtro de ar Conduta de ar de arrefecimento Ferramenta de corte Velocidade em marcha lenta Depósito de combustível	Inspeccione visualmente por danos e estanquicidade Verifique a condição geral e segurança Limpe Limpe Verifique se existem danos e se está afiada Inspeção (a ferramenta de corte não deve mover-se) Verifique e limpe
A cada 50 horas	Caixa de engrenagens	Fornecimento de massa lubrificante
Semanalmente	Vela de ignição	Verifique e, se necessário, substitua
Anualmente	Tubo de combustível	Substitua
Semestralmente	Tampão do depósito	Substitua
Antes de armazenamento de longa duração	Depósito de combustível Carburador Cabeça de sucção	Esvazie e limpe Opere até que o motor esgote o combustível Substitua

IDENTIFICAÇÃO DE FALHAS

Avaria	Sistema	Observação	Causa
O motor não arranca ou arranca com dificuldade	Sistema de ignição	Ignição por vela presente	Avaria no fornecimento de combustível ou sistema de compressão, defeito mecânico
		Sem ignição por vela	Funcionamento através do botão I-O, avaria na cablagem ou curto-circuito, vela de ignição ou conector defeituoso, módulo de ignição avariado
	Fornecimento de combustível	Depósito de combustível enchido	Posição incorrecta do afogador, carburador defeituoso, cabeça de sucção (filtro da linha de gás) suja, linha de fornecimento de combustível dobrada ou interrompida
		Compressão	No interior do motor
	No exterior do motor		Vedação inadequada da vela de ignição
	Avaria mecânica	Dispositivo de arranque não engrenado	Mola do dispositivo de arranque partida, peças partidas dentro do motor
Problemas no arranque a quente		Depósito cheio vela de ignição existente	Carburador contaminado, limpe-o
O motor arranca mas morre imediatamente	Fornecimento de combustível	Depósito cheio	Ajuste de marcha lenta incorrecto, cabeça de sucção ou carburador contaminado
			Ventilação do depósito de combustível defeituosa, linha de fornecimento de combustível interrompida, cabo ou botão I-O avariado
Desempenho insuficiente	Vários sistemas podem estar afectados em simultâneo	Motor em marcha lenta	Filtro de ar contaminado, carburador contaminado, silenciador entupido, conduta de escape no cilindro entupida

Tak fordi du har valgt en MAKITA hækkeklipper. Vi er glade for at kunne tilbyde dig for denne MAKITA hækkeklipper, der er resultatet af et langt udviklingsprogram og mange års viden og erfaring.

Hækkeklippermodellerne EH5000W, EH6000W og EH7500W kombinerer fordelene ved topmoderne teknologi med ergonomisk design, er lette, nemme at håndtere, kompakte og professionelle stykker værktøj med mange anvendelsesmuligheder.

Læs, forstå og efterfølg venligst denne brugsanvisning, der i detaljer gennemgår de forskellige punkter, som demonstrerer maskinens fremragende ydeevne. Brugsanvisningen vil gøre dig i stand til at opnå de bedst mulige resultater med din MAKITA hækkeklipper.



Indhold	Side
Symboler	101
Sikkerhedsanvisninger	102
Tekniske data.....	105
Delenes betegnelser.....	106
Brændstof/påfyldning af brændstof	107
Forholdsregler inden start.....	108
Start af maskinen.....	109
Standstning af maskinen	109
Anvendelse af maskinen	110
Justering af vinkel på bagerste håndtag.....	110
Vedligeholdelsesinstruktioner	111
Opbevaring.....	114
Vedligeholdelseskema	114
Fejlfinding	114

SYMBOLER

Det er meget vigtigt at forstå følgende symboler, når brugsanvisningen læses.

	ADVARSEL/FARE		Blanding af benzin og olie
	Læs, forstå og efterfølg Brugsanvisning		Manuel start af motor
	Forbudt		Nødstop
	Rygning forbudt		Førstehjælp
	Brug af åben ild forbudt		Genanvendelse
	Der skal anvendes beskytteshandsker		
	Hold arbejdsområdet fri for personer og dyr		TÆNDT/START
	Bær beskyttelsesbriller og høreværn		SLUKKET/STOP
			CE - mærke

SIKKERHEDSANVISNINGER

Generelle retningslinjer

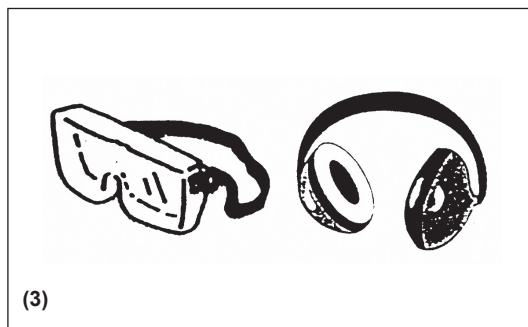
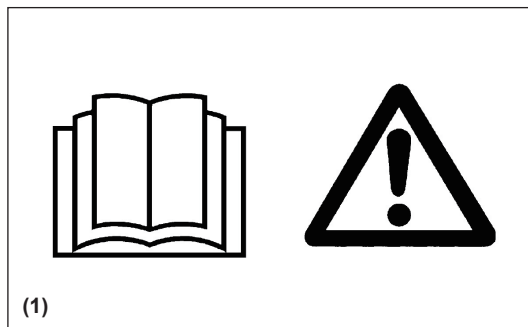
- DENNE MASKINE KAN FORÅRSAGE ALVORLIGE PERSONSKADER. Læs brugsanvisningen omhyggeligt igennem for korrekt håndtering, klargøring, vedligeholdelse, start og standsning af maskinen. Gør dig bekendt med alle funktioner og korrekt anvendelse af maskinen. (1)
- Det anbefales kun at udlåne hækkeklipperen til personer, som har erfaring med brugen af hækkeklippere. Overdrag altid brugsanvisningen.
- Førstegangsbrugere bør bede forhandleren om grundlæggende instrukser for at få kendskab til håndteringen af en motordrevet hækkeklipper.
- Børn og unge personer under 18 år må ikke anvende hækkeklipperen. Personer over 16 må dog gerne anvende maskinen til træningsformål, men kun under overvågning af en kvalificeret underviser.
- Brug hækkeklipperen med allerstørste omhu og opmærksomhed.
- Brug kun hækkeklipperen, hvis du er i god fysik form. Udfør alt arbejde roligt og forsigtigt. Brugeren har ansvaret for andre.
- Brug aldrig hækkeklipperen efter indtagelse af alkohol eller medicin, eller hvis du føler dig træt eller dårligt tilpas. (2)

Beregnet brug af maskinen

- Hækkeklipperen er kun udformet til klipping af buske og hække og må ikke anvendes til andre formål. Brug ikke hækkeklipperen til noget andet arbejde.

Personligt sikkerhedsudstyr

- Der skal bæres funktionelt og passende tøj, dvs. det bør sidde tæt, men ikke være til hindring. Bær ikke smykker eller løsthængende tøj, der kan sidde fast i buske, krat eller maskinen.
- For at undgå skader på øjne, hænder eller fødder samt for at beskytte din hørelse, skal du altid anvende følgende sikkerhedsudstyr og beskyttelsesbeklædning, når du anvender hækkeklipperen.
- Under arbejde med hækkeklipperen skal der altid anvendes beskyttelsesbriller eller et visir for at forhindre øjenskader. (3)
- Anvend passende beskyttelsesudstyr mod støj for at undgå hørenedsættelse, dvs. høreværn, ørepropper m.v. (3)
- Vi anbefaler på det kraftigste, at brugeren anvender arbejdsoverall. (4)
- Specialhandsker, der er lavet af tykt læder, er en del af det foreskrevne udstyr og skal altid anvendes under arbejde med hækkeklipperen. (4)
- Når du anvender hækkeklipperen, skal du altid have solide sko med skridsikre såler på. Dette beskytter mod personskader og sikrer et godt fodfæste. (4)



Start af hækkeklipperen

- Sørg venligst for, at der ikke er nogen børn eller andre personer indenfor et arbejdsområde på 15 meter (5), samt vær opmærksom på eventuelle dyr i nærheden af arbejdsområdet.
- Før arbejdet påbegyndes skal du altid kontrollere, at hækkeklipperen er klar til drift.
- Kontroller funktionen af gashåndtaget. Kontroller, at gashåndtaget glider jævnt og roligt. Kontroller, at gashåndtagets lås fungerer korrekt. Sørg for, at håndtagene er rene og tørre og test funktionen af I-O kontakten. Hold håndtagene fri for olie og brændstof.

Start kun hækkeklipperen som beskrevet i brugsanvisningen.

Benyt ikke andre metoder til at starte motoren med (6)!

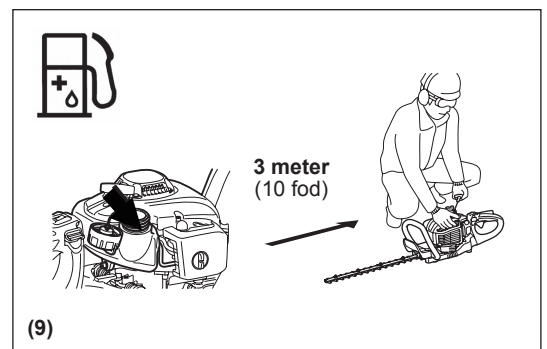
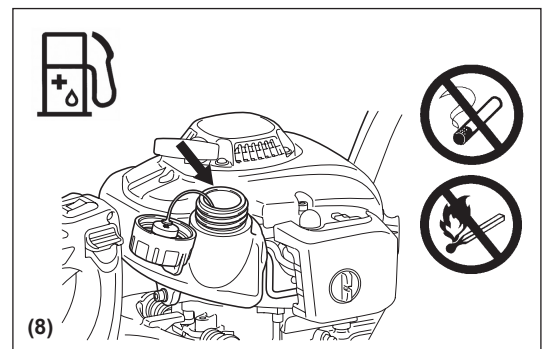
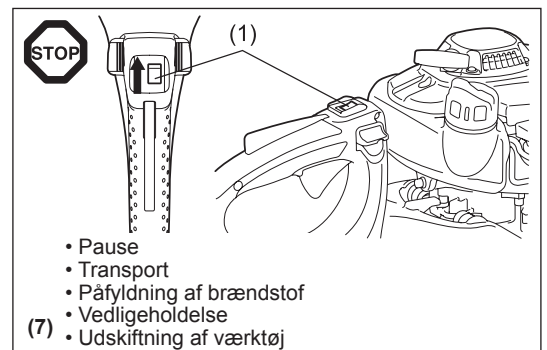
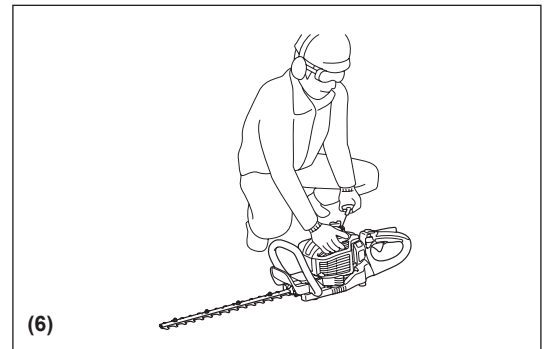
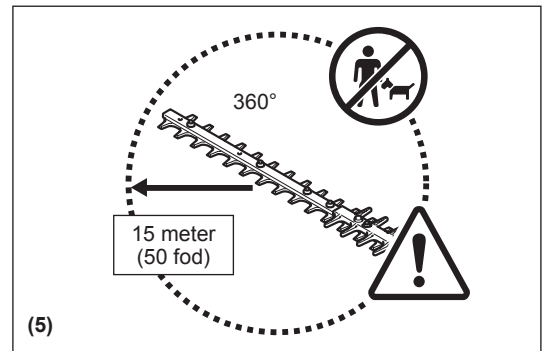
- Brug kun hækkeklipperen til de beskrevne formål.
- Start kun hækkeklipperens motor, når maskinen er helt samlet. Det er kun tilladt at anvende hækkeklipperen, når alt tilbehøret er monteret!
- Kontroller inden start, at knivene ikke kommer i kontakt med ting som grene, sten osv.
- Stands øjeblikkeligt maskinen hvis der er motorproblemer.
- Under anvendelsen skal du holde godt fast i både det forreste og bagerste håndtag med fingrene snoet rundt om håndtagene. Hold håndtagene rene og fri for fugt, harpiks, olie og andet smøremiddel.

Sørg altid for at have et godt fodfæste.

- Kun til udendørs brug.
- Hold altid øje med omgivelserne og vær opmærksom på mulige farer, som du muligvis ikke kan høre pga. støjen fra maskinen.
- Anvend hækkeklipperen på en sådan måde, at du undgår at indånde udstødningsgasserne. Lad aldrig motoren køre i et lukket rum (risiko for kvælning og gasforgiftning). Kullite er en lugtfri gasart. Sørg altid for, at der er tilstrækkelig udluftning.
- Stands motoren, hvis du tager en pause eller lader hækkeklipperen være uden opsyn. Anbring den på et sikkert sted, så den ikke er til fare for andre og ikke antænder ild til brandfarlige materialer eller beskadiger maskinen.
- Læg aldrig den varme hækkeklipper på tørt græs eller andet letantændeligt materiale.
- For at reducere brandfaren skal motoren og lyddæmperen holdes fri for afklippede materialer, blade og unødigt meget smøremiddel.
- Anvend aldrig motoren med en defekt lyddæmper.
- Stands motoren under transport (7).
- Stands motoren inden:
 - Fjernelse af en blokering;
 - Kontrol, vedligeholdelse eller arbejde på maskinen.
- Anbring hækkeklipperen på sikker vis under bil- eller lastbiltransport for at undgå brændstoftælkage.
- Ved transport af hækkeklipperen skal det sikres, at brændstoftanken er helt tom for at undgå brændstoftælkage.
- Sæt altid sværthylsteret på, når du transporterer eller opbevarer hækkeklipperen.

Påfyldning af brændstof

- Stands motoren før påfyldning af brændstof (7), sørg for at der ikke er åben ild i nærheden (8) og undgå rygning.
- Forsøg ikke at fylde brændstof på en varm eller tændt motor.
- Undgå hudkontakt med olieprodukter. Indånd ikke brændstofdampe. Bær altid beskyttelseshandsker under påfyldning af brændstof. Skift og rens beskyttelsesbeklædningen med jævne mellemrum.
- Pas på ikke at spilde enten brændstof eller olie for at forhindre forurening af jorden (miljøbeskyttelse). Tør omgående hækkeklipperen af, hvis du har spildt brændstof. Lad kludene, der blev brugt til at tørre brændstoffet af med, tørre på et sted med god udluftning inden du smider dem ud. Hvis dette ikke sker, kan det medføre spontan selvantændelse.
- Undgå at få brændstof på tøjet. Skift omgående tøj, hvis du spilder brændstof på det (brandfare).
- Undersøg regelmæssigt om brændstofdækslet sidder ordentligt fast.
- Skru omhyggeligt brændstoftankens dæksel på. Skift sted inden motoren startes (mindst 3 meter væk fra stedet for brændstofpåfyldningen) (9).
- Påfyld aldrig brændstof i lukkede rum. Der kan ophobes brændstofdampe i jordhøjde (fare for eksplosioner).
- Foretag kun transport og opbevaring af brændstof i godkendte beholdere. Sørg for, at brændstof opbevares således, at børn ikke har adgang til det.
- Når du blander benzin med totaktsmotorolie, skal du kun anvende benzin, der ikke indeholder ethanol eller metanol (typer af alkohol). Dette vil hjælpe til at modvirke skader på benzinslanger og andre motordele.



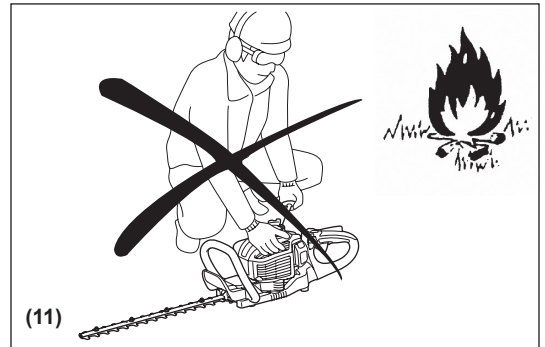
Betjeningsmetode

- Hold altid med begge hænder på håndtagene under anvendelsen.
- Brug kun hækkeklipperen i god belysning og med godt udsyn. I kolde perioder skal du være på vagt overfor glatte eller våde områder, is og sne (der er risiko for at falde). Sørg altid for at have et godt fodfæste.
- Udfør aldrig arbejde på ustabile overflader eller stejlt terræn.
- Stå aldrig på en stige, når du arbejder med hækkeklipperen.
- Kravl aldrig op i træer for at klippe eller skære med hækkeklipperen.
- For at reducere risikoen for at falde eller miste kontrollen skal du aldrig gå baglæns, mens du bruger maskinen.
- Stands altid motoren før rengøring, vedligeholdelse eller udskiftning af reservedele.
- Arbejd ikke med maskinen, hvis sværdet er beskadiget eller meget slidt.



Vedligeholdelsesvejledning

- Pas på miljøet. Brug hækkeklipperen med omtanke og støj og foruren så lidt som muligt. Vær især opmærksom på om karburatoren er rigtigt indstillet.
- Rengør hækkeklipperen med jævne mellemrum og kontroller, at alle skrue og møtrikker er strammet ordentligt til.
- Hækkeklipperen bør aldrig serviceres eller opbevares i nærheden af åben ild, gnister eller lignende (11).
- Tøm brændstoftanken inden opbevaring af hækkeklipperen.
- Opbevar aldrig hækkeklipperen i nærheden af åben ild af hensyn til brandfaren.
- Opbevar hækkeklipperen på et sted med god udluftning, enten højt oppe eller aflåst, uden for børns rækkevidde.
- Forsøg ikke at reparere maskinen medmindre du er kvalificeret hertil.



Følg alle relevante instruktioner til hindring af ulykker udstedt af Arbejdstilsynet og forsikringselskaber. Af sikkerhedshensyn skal man ikke foretage ændringer på hækkeklipperen.

Vedligeholdelsesarbejde eller reparationer udført af brugeren er begrænset til de ting, der er beskrevet i denne brugsanvisning. Alt andre arbejder skal udføres af en godkendt serviceagent.

Brug kun originale reservedele og tilbehør fra MAKITA's autoriserede eller fabriksservicecentre.

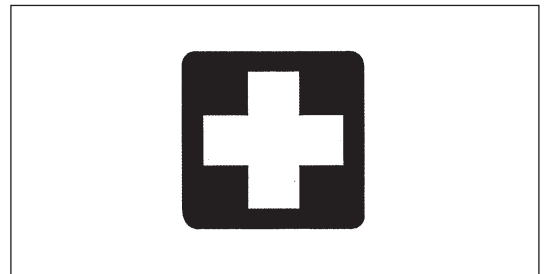
Brug af ikke-godkendt tilbehør og værktøjer forøger risikoen for uheld og skader. MAKITA påtager sig intet ansvar for uheld eller skader opstået på grund af brug af ikke-godkendt tilbehør.

Førstehjælp

I tilfælde af en ulykke skal du sørge for at have en veludstyret førstehjælpskasse i i henhold til DIN 13164 nærheden af det sted, hvor du arbejder. Erstat straks de ting der benyttes fra førstehjælpskassen.

Oplys venligst følgende hvis du tilkalder hjælp:

- Sted for ulykke
- Hvad der er sket
- Antallet af tilskadede personer
- Skadernes omfang
- Dit navn



Indpakning

MAKITA hækkeklipperen leveres i en beskyttende papkasse for at forhindre transportskader. Pap er et basalt råmateriale og kan derfor bruges igen og igen eller afleveres til genbrug (genbrug af papiraffald).



EU-ERKLÆRING VEDRØRENDE OVERHOLDELSE AF STANDARDER

Vi, **Makita Corporation**, erklærer som ansvarlig producent at følgende Makita-maskine(r):

Maskinens betegnelse: Benzindrevet hækkeklipper
 Modelnummer/ type: EH5000W, EH6000W, EH7500W
 Specifikationer: se "TEKNISKE DATA"

er en produktionsserie og

Overholder følgende europæiske direktiv(er):

2000/14/EF, 2006/42/EF

Og er produceret i overensstemmelse med følgende standard(er) eller standardiserede dokument(er):

EN ISO 10517

Den tekniske dokumentation findes hos vores autoriserede repræsentant i Europa:

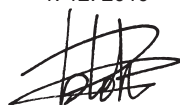
Makita International Europe Ltd.
 Michigan Drive, Tongwell, Milton Keynes, Bucks MK15 8JD, England

Den konformitetsvurderingsprocedure, der kræves af Direktiv 2000/14/EF, blev udført i henhold til appendiks V.

Målt lydeffektniveau: EH5000W 104,0 dB (A), EH6000W 104,2 dB (A), EH7500W 104,8 dB (A)

Garanteret lydeffektniveau: Alle modeller 106 dB (A)

1. 12. 2010

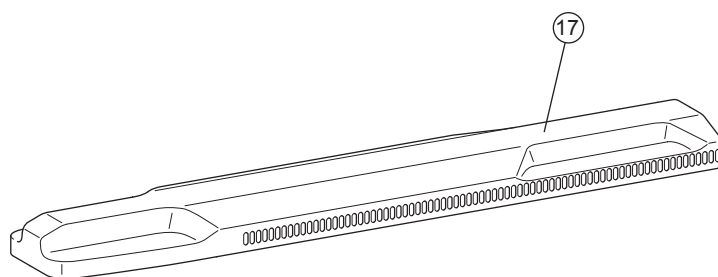
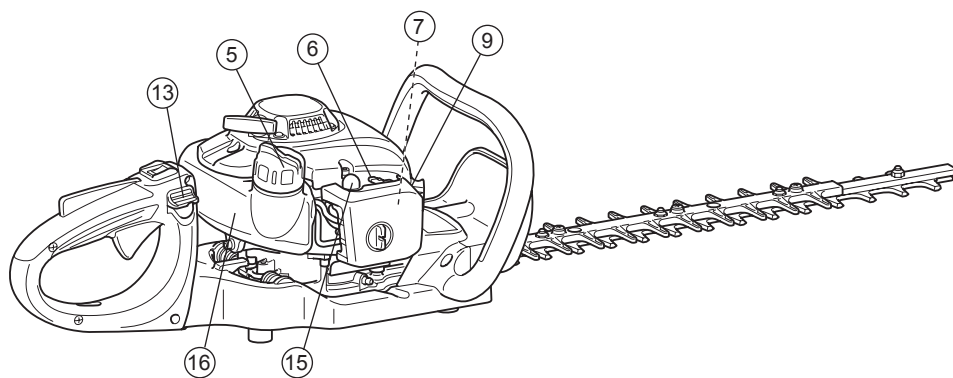
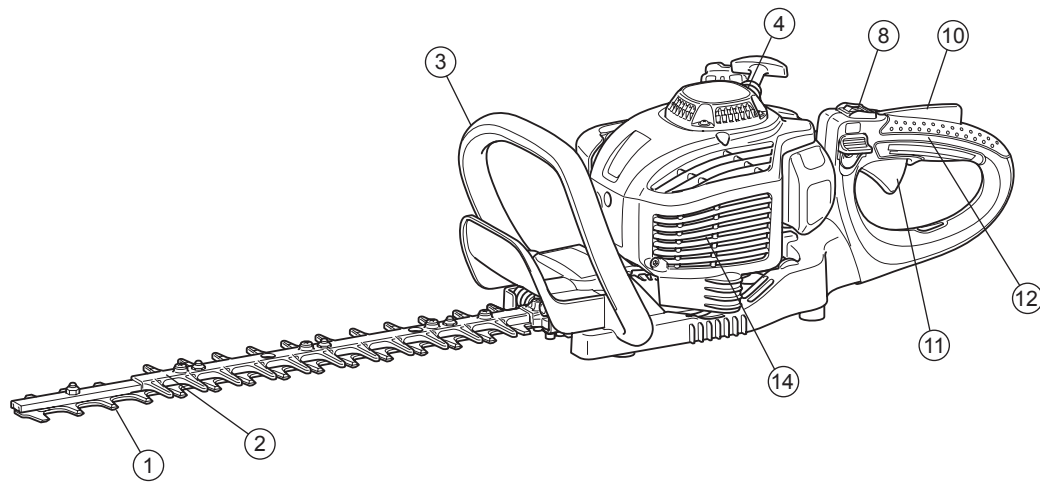


Tomoyasu Kato
 Direktør
 Makita Corporation
 3-11-8, Sumiyoshi-cho,
 Anjo, Aichi, 446-8502, JAPAN

TEKNISKE DATA

Model		EH5000W	EH6000W	EH7500W	
Mål (L x B x H)	mm	1.014 x 262 x 216	1.119 x 262 x 216	1.259 x 262 x 216	
Vægt (uden sværdhylster)	kg	4,8	5,0	5,2	
Volumen (brændstoftank)	L	0,4			
Motorvolumen	cm ³	22,2			
Skærelængde	mm	483	588	728	
Maksimal motorydelse	kW	0,68			
Maksimal knivhastighed	min ⁻¹	4.270			
Tomgangshastighed	min ⁻¹	3.000			
Indkoblingshastighed	min ⁻¹	4.000			
Karburator type	type	WALBRO WYL			
Tænding	type	Integreret tænding			
Tændrør	type	NGK CMR6A			
Elektrodeafstand	mm	0,7 - 0,8			
Vibration pr. EN ISO 10517	Højre håndtag	$a_{hv\ eq}$	2,5	2,7	2,3
		Usikkerhed K	1,3	1,1	1,6
	Venstre håndtag	$a_{hv\ eq}$	2,5	2,8	2,3
		Usikkerhed K	1,3	1,1	1,2
Støj pr. EN ISO 10517	Lydtryksniveau	dB (A)	93,0	92,8	93,9
		Usikkerhed K	1,4	2,2	1,2
	Lydeffektniveau	dB (A)	103,0	103,2	103,8
		Usikkerhed K	2,1	1,5	1,3
Blandingsforhold (brændstof: motorolie)	Ægte MAKITA totaktsmotorolie	50 : 1			
	Anden producents totaktsmotorolie	25 : 1			
Gearforhold		9 : 43			

DELENES BETEGNELSER



	DELENES BETEGNELSER		DELENES BETEGNELSER		DELENES BETEGNELSER
1	Sværd	7	Karburator (ikke vist)	13	Udløserhåndtag
2	Knivafastning	8	I-O kontakt (Tænd/Sluk)	14	Lyddæmper
3	Forreste håndtag	9	Tændrør	15	Tipper
4	Rekylstarter	10	Lås-fra-mekanisme	16	Brændstoftank
5	Tankdæksel	11	Gashåndtag	17	Sværdhylster
6	Chokerhåndtag	12	Bageste håndtag		

BRÆNDSTOFPÅFYLDNING AF BRÆNDSTOF

Blanding af benzin og olie

- Hækkeklipperens motor er en højeffektiv totaktsmotor. Den kører på en blanding af benzin og totaktsmotorolie. Motoren er designet til almindelig blyfri benzin med en minimumoktanværdi på 91 oktan. Hvis en sådan slags benzin ikke er til rådighed, kan du anvende benzin med en højere oktanværdi. Dette skader ikke motoren, men det kan forringe ydeevnen. Lignende problem opstår ved brug af blyholdigt brændstof. For at opnå optimal motorydeevne og for at beskytte dit helbred og miljøet, bør du kun anvende blyfri benzin!
- Brug en totaktsmotorolie til at smøre motoren (kvalitetsklasse: TSC-3), som blandes i benzinen. Motoren er designet til at anvende MAKITA totaktsmotorolie med et blandingsforhold på 50:1 for at beskytte miljøet. Endvidere garanteres der en lang levetid og sikker drift med et minimum af udstødningsgas. Det er yderst vigtigt at overholde blandingsforholdet på 50:1 (MAKITA totaktsmotorolie), ellers kan en sikker drift af hækkeklipperen ikke garanteres.
- Korrekt blandingsforhold:
Benzin: Specificeret totaktsmotorolie = 50 : 1 eller
Benzin: Anden producents totaktsmotorolie = 25 : 1 anbefales

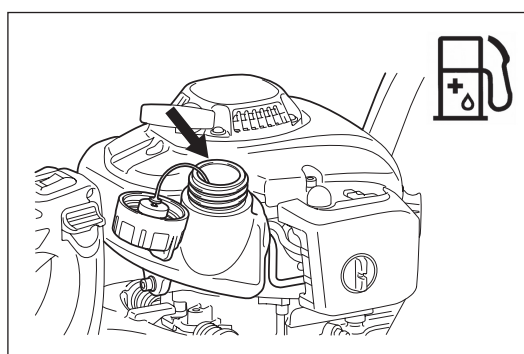
BEMÆRK: Ved blandingen af benzinen og olien skal hele oliemængden først blandes med halvdelen af den krævede benzinmængde i en beholder, som er godkendt til formålet og lever op til eller overgår alle lokale standarder. Tilføj derefter den resterende benzin. Ryst blandingen godt inden den hældes i hækkeklipperens tank. Du skal ikke tilføje mere motorolie end angivet for at sikre forsvarlig drift. Det vil blot resultere i en højere produktion af forbrændingsrester, der forurener miljøet og tilstopper udstødningskanalen i cylinderen såvel som lyddæmperen. Endvidere stiger brændstofforbruget og ydeevnen forringes.

Håndtering af olieprodukter

Du skal være yderst forsigtig, når du håndterer brændstoffer. Brændstoffer kan indeholde substanser, der minder om opløsningsmidler. Påfyld brændstof på enten et godt ventileret område eller udendørs. Indånd ikke brændstofdampe og undgå hudkontakt med brændstof eller olie. Hvis huden gentagne gange kommer i kontakt med disse stoffer og i længere tid af gangen, udtørres huden. Dette kan resultere i forskellige hudsygdomme. Desuden kan der opstå allergiske reaktioner. Øjnene kan blive irriterede ved kontakt med olie, benzin osv. Hvis du får olie, benzin osv. i øjnene, skal du straks skylle dem med rent vand. Hvis øjnene stadig er irriterede, skal du straks opsøge en læge!



Overhold sikkerhedsanvisningerne på side 103.



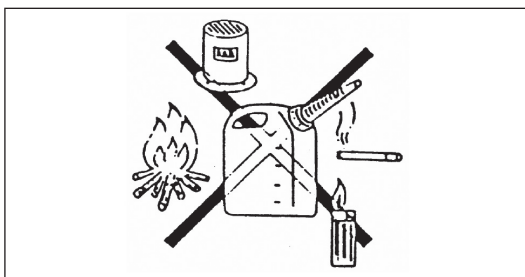
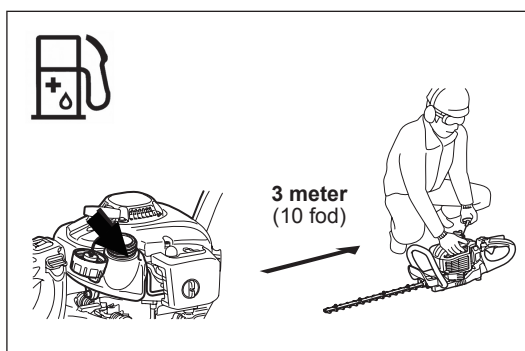
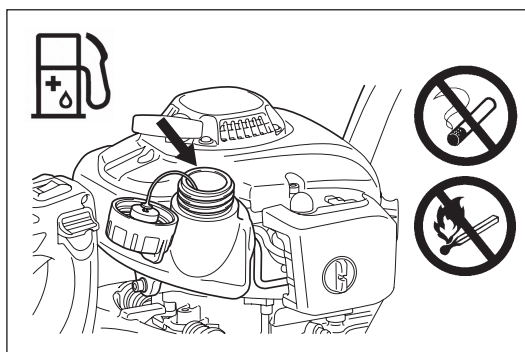
Benzin	+	Olie
	50:1	
	50:1	25:1
1.000 cm ³ (1 liter) 5.000 cm ³ (5 liter) 10.000 cm ³ (10 liter)		20 cm ³ 40 cm ³ 100 cm ³ 200 cm ³ 200 cm ³ 400 cm ³

Påfyldning af brændstof

- Motoren skal være slukket.
- Stands motoren under påfyldning af brændstof, hold maskinen væk fra ild, samt undlad at ryge.
- Pas på ikke at spilde hverken brændstof eller olie for at forhindre jordforurening. Rengør omgående hækkeklipperen, hvis du har spildt brændstof.
- Undgå at spilde benzin på motoren. Tør brændstoffet af ved spild.
- Undgå at få brændstof på tøjet. Skift tøj øjeblikkeligt, hvis der kommer brændstof på (for at forhindre at tøjet går i brand).
- Efterse brændstofdækslet regelmæssigt for at sikre, at det kan lukkes ordentligt, og der ikke lækker brændstof ud.
- Skru omhyggeligt brændstoftankens dæksel på. Skift sted inden motoren startes (mindst 3 meter væk fra stedet for brændstofpåfyldningen).
- Påfyld aldrig brændstof i lukkede rum. Brændstofdampene ophobes ved jordoverfladen. (Fare for eksplosioner).
- Transporter og opbevar kun brændstof i godkendte beholdere. Sørg for, at brændstof opbevares således, at børn ikke har adgang til det.
- Rengør omhyggeligt rundt om tankdækslet for at undgå, at der kommer skidt i brændstoftanken.
- Skru dækslet af og fyld tanken op med brændstof. Brug et filter til at filtrere brændstoffet.
- Skru dækslet fast igen vha. håndkraft alene.
- Rengør rundt om dækslet og tanken efter påfyldning af brændstof.
- Tør altid eventuelt spildt brændstof af for at undgå brand.

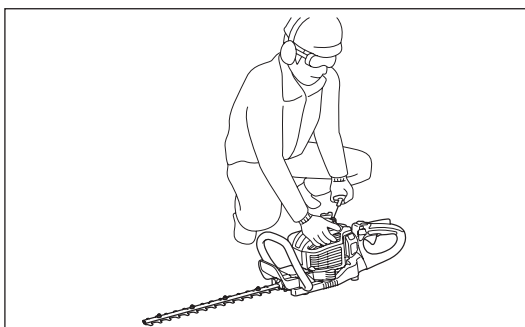
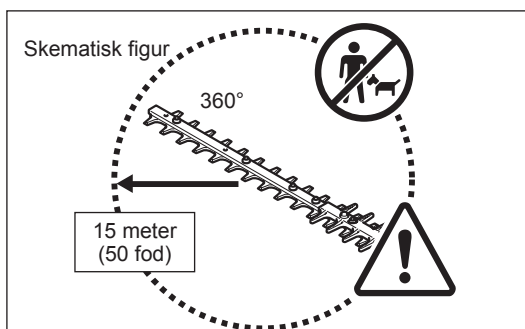
Opbevaring af brændstof

- Brændstof kan ikke opbevares i en ubegrænset tidsperiode.
- Køb kun den mængde som er nødvendig for 4 ugers arbejde.
- Anvend kun godkendte opbevaringsbeholdere.



FORHOLDSREGLER INDEN START

- Sørg for, at der ikke er nogen børn eller andre personer inden for et arbejdsområde på 15 meter. Vær også opmærksom på eventuelle dyr i nærheden af arbejdet.
- Før arbejdet påbegyndes, kontrolleres det, at hækkeklipperen er klar til drift. Kontroller, at sværdet ikke er beskadiget, at gashåndtaget glider let og at I-O kontakten fungerer korrekt. Sørg for, at knivene ikke kører, når motoren er i tomgang. Forhør dig hos din forhandler angående justering, hvis du er i tvivl. Sørg for, at håndtagene er rene og tørre og test funktionen af I-O kontakten.
- Start kun hækkeklipperen som beskrevet i brugsanvisningen. Benyt ikke andre metoder til at starte motoren med. (Se Start af maskinen)
- Start kun motoren, når maskinen er helt samlet. Det er kun tilladt at starte motoren, når alt nødvendigt tilbehør er monteret. Ellers er der risiko for skader.
- Kontroller inden start, at knivene ikke er i kontakt med ting som grene, sten osv.
- Før klipping undersøges området for ståltråd, ledninger, glas eller andre ting, som kan komme i kontakt med knivene.
- Elektrisk stød. Hold øje med eventuelle ledninger og elektriske hegn. Efterse alle områder for ledninger inden klipping.



START AF MASKINEN

Gå mindst 3 meter væk fra stedet for brændstoppåfyldningen. Placer hækkeklipperen på et rent område på jorden. Sørg for, at knivene ikke kommer i kontakt med jorden eller nogen andre genstande.

Koldstart: (Når motoren er kold eller har været standset i mere end 5 minutter, eller når der er hældt brændstof på.)

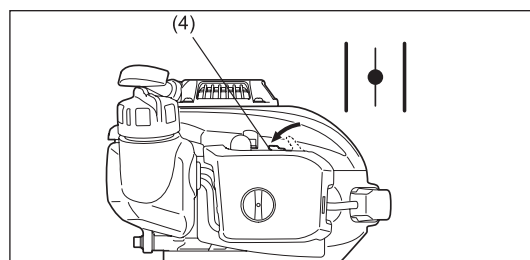
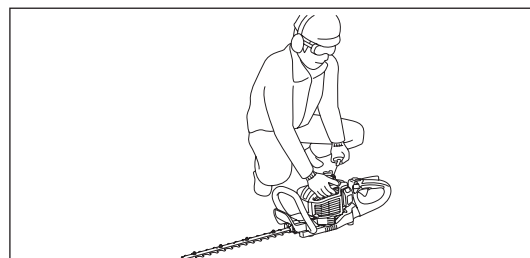
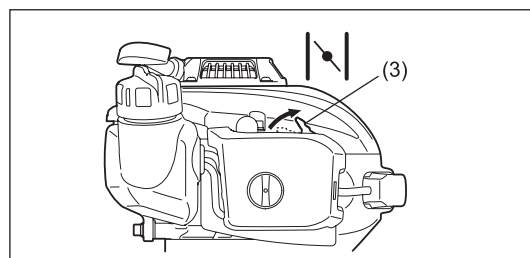
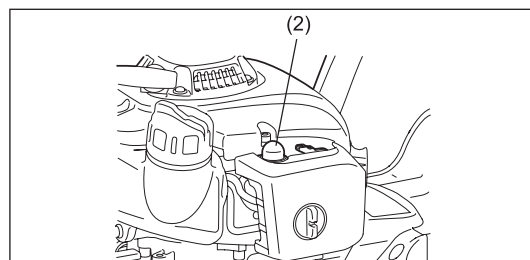
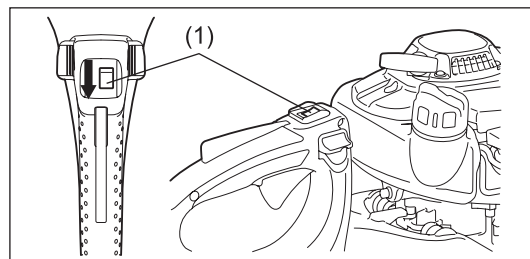
1. Tryk på I-O kontakten (1) så den står i "I" position.
2. Tryk let på tipperen (2) flere gange (7 til 10 gange), indtil der kommer brændstof ind i tipperen.
3. Flyt chokerhåndtaget (3) til position "I".
4. Tryk ordentligt ned på hækkeklipperen så du ikke mister kontrollen over den under start af motoren. Gøres dette ikke, kan det medføre alvorlig personskade og/eller materiel skade pga. fald eller kontakt med sværdet.
5. Træk langsomt starterhåndtaget 10 til 15 cm ud indtil du føler modstand.
6. Træk hårdt i starterhåndtaget når modstanden kan mærkes og start motoren.
7. Når motoren starter eller slipper og stopper, returneres chokerhåndtaget (4) til "I".
8. Kør motoren i cirka et minut ved moderat hastighed, inden du gasser helt op.

Bemærk:

- Hvis der trækkes i starterhåndtaget gentagne gange, mens chokerhåndtaget er i "I"-positionen, starter motoren ikke nemt pga. for stort brændstofindtag.
- Hvis der er opstået et for stort brændstofindtag, skal du fjerne tændrøret og trække langsomt i starterhåndtaget for at fjerne det overskydende brændstof. Tør også tændrørets elektrodedel af.

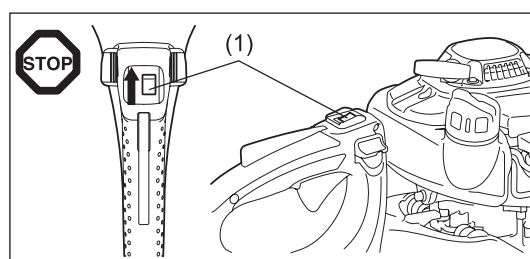
Varmstart: (Genstart umiddelbart efter standsning af motoren.) Prøv først proceduren ovenfor ved genstart af en varm motor: 1, 2, 4, 5, 6 med chokerhåndtaget (4) på "I". Hvis motoren ikke starter, gentages trin 1-8 ovenfor.

Bemærk: Træk ikke startsnoren helt ud. Lad ikke starthåndtaget ukontrolleret trækkes tilbage. Sørg for, at det trækkes langsomt tilbage.



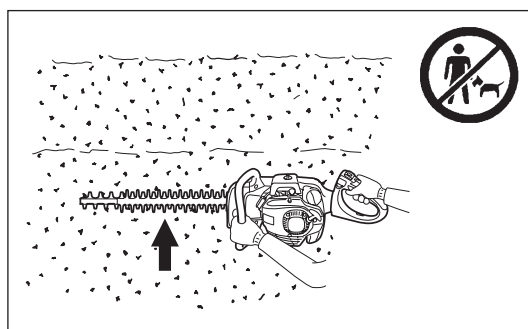
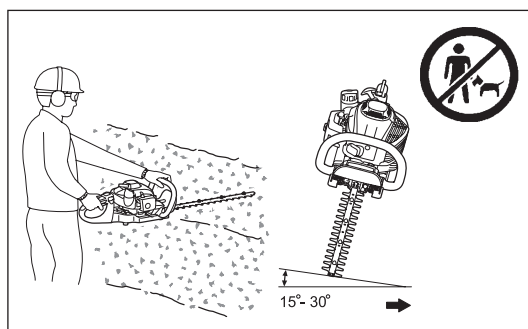
STANDSNING AF MASKINEN

1. Slip gashåndtaget helt.
2. Tryk på I-O kontakten (1) så den står i "O" position. Motoren sænker hastigheden og stopper.



ANVENDELSE AF MASKINEN

- Hold altid fast i hækkeklipperen med et solidt greb.
- Rør aldrig knivene, når du starter motoren og under arbejdet.
- Anvend hækkeklipperen på en sådan måde, at du undgår at indånde udstødningsgasserne. Lad aldrig motoren køre i lukkede rum (risiko for gæsforgiftning). Kulilte er en lugtfri gas.
- Alt sikkerhedsudstyr som f.eks. en skærm, der følger med maskinen, skal anvendes under betjeningen.
- Betjen aldrig motoren hvis lyddæmperen er defekt eller mangler.
- Brug kun hækkeklipperen i god belysning og med godt udsyn.
- I vintersæsonen skal du være på vagt overfor glatte eller våde områder, is og sne. (der er risiko for at falde). Sørg altid for at have et godt fodfæste.
- Stå aldrig på en stige, når du arbejder med hækkeklipperen. Hold begge fødder på jorden.
- Kravl aldrig op i træer for at klippe eller skære med hækkeklipperen.
- Arbejd aldrig på ustabile overflader.
- Fjern sand, sten, søm, ståltråd m.v. som findes inden for arbejdsområdet. Fremmedlegemer kan beskadige knivene.
- Inden du begynder at klippe, skal grene på 8 mm eller tykkere skæres af med en grensaks.
- Inden foretagelse af klippearbejde skal knivene have nået op på fuld arbejdshastighed.
- Hold altid godt fast på hækkeklipperen med begge hænder på håndtagene.
- Brug et fast greb med tommelfingre og fingre sluttende rundt om håndtagene.
- Når du slipper gashåndtaget, tager det nogle få øjeblikke før knivene standser.
- Anvend ikke hækkeklipperen med høj tomgangshastighed. Du kan ikke justere klippehastigheden med gashåndtaget, hvis tomgangshastigheden er for høj.
- Under klippearbejdet holdes hækkeklipperen så knivene danner en 15-30° vinkel i forhold til skærelinjen.
- Vær især opmærksom når du klipper hække, som står tæt på eller langs et trådhegn.
- Lad ikke knivene komme i kontakt med hårde genstande som f.eks. trådhegn, sten eller jorden. Det kan medføre at knivene revner, splintrer eller brækker.
- Hvis knivene rammer sten eller andre hårde objekter, skal du straks slukke for motoren og efterse knivene for skader. Udskift beskadigede knive inden genoptagelse af arbejdet.
- Hold en pause med jævne mellemrum. Makita anbefaler, at du holder en pause på 10 til 20 minutter efter hver 50 minutters arbejde.
- Slå straks motoren fra i tilfælde af motorproblemer.
- Brug hækkeklipperen med omtanke og støj og foruren så lidt som muligt. Kontroller især indstillingen af karburatoren og benzin/olie-forholdet.
- Forsøg aldrig at fjerne afskåret fastsiddende materiale, så længe knivene bevæger sig. Læg hækkeklipperen ned, sluk for den og fjern så det afskårne materiale.



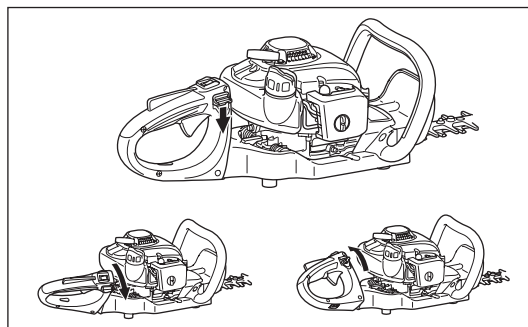
JUSTERING AF VINKEL PÅ BAGERSTE HÅNDTAG

Det bagerste håndtag kan drejes 90° ned til venstre eller højre side og indstilles på hver 45°.

Sådan ændres vinklen:

1. Tryk på udløserhåndtaget for at frigøre låsen.
2. Drej håndtaget hen på en vinkel af 0°, 45° eller 90°.
3. Sørg for, at udløserhåndtaget vender tilbage til den oprindelige position for at aktivere låsen.

Træk ikke i gashåndtaget mens låsen er frigjort.
Frigør ikke låsen under anvendelse.



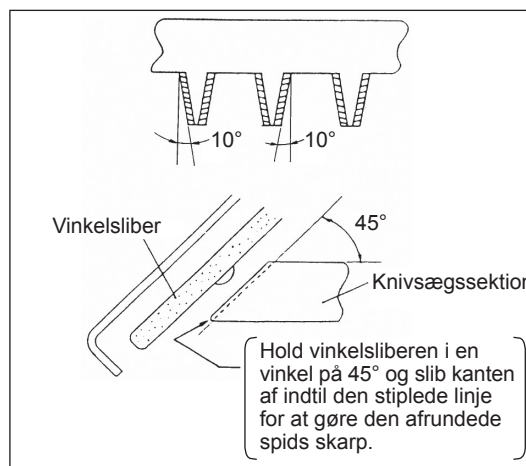
VEDLIGEHOLDELSESINSTRUKTIONER

- Sluk for motoren og fjern tændrørshætten når du rengør/udskifter/sliber knivene eller udfører nogen anden form for vedligeholdelse.
- Forsøg aldrig at rette beskadigede knive ud eller svejse dem.
- Efterse regelmæssigt knivene mens motoren er slukket.
- Sørg for, at knivene er skarpe.
- Rengør hækkeklipperen og kontroller regelmæssigt at alle skruer og møtrikker er strammet ordentligt til.
- Efterse aldrig hækkeklipperen i nærheden af åben ild af hensyn til brandfaren.
- Bær altid læderhandsker under håndtering eller slibning af knivene, eftersom de er skarpe.

Slibning af knive

Hvis kanterne er runde, og knivene er blevet sløve, skal de afmærkede områder på figuren slibes af, og kun dem. Slib ikke kontaktoverflader (slidoverflader) på spids og bund.

- Før slibning skal sværdet fastgøres ordentligt, og motoren skal være slukket og tændrørskapslen fjernet.
- Bær handsker, beskyttelsesbriller osv.
- Fjern ikke for meget materiale. Det fjerner det hærdede lag og medfører, at knivene sløves meget hurtigt under brug.



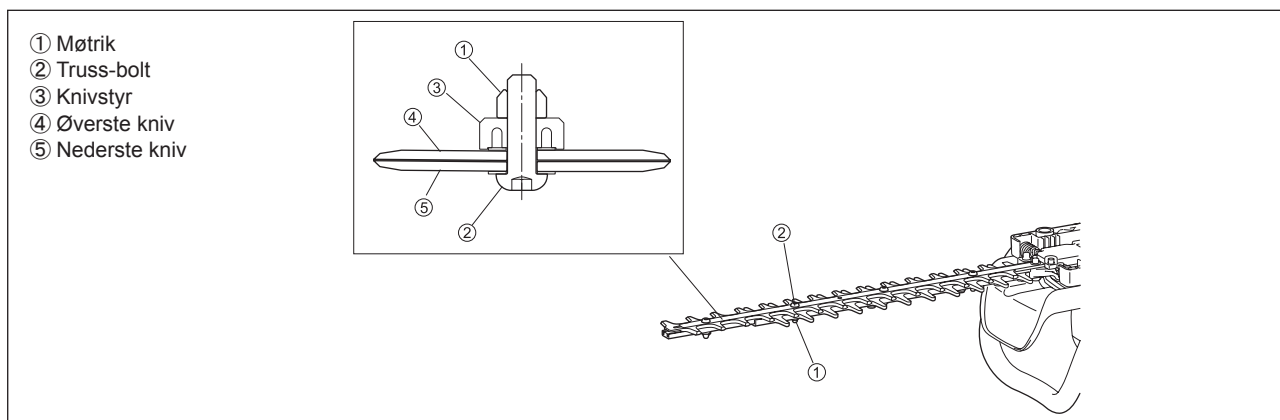
Justering af knivfrigang

De øvre/nedre knive slides. Hvis du ikke kan klippe ordentligt, selvom knivene er skarpe nok, skal du justere frigangen som følger.

1. Fjern knivaflastningen ved at løsne skruerne.
2. Løsn møtrikken (1) med en fastnøgle.
3. Stram truss-bolten (2) med en unbrakonøgle til den stopper og skru den en kvart omgang tilbage.
4. Stram møtrikken (1) mens du holder truss-bolten (2),
5. Påfør let olie på gnidningsfladen på knivene.
6. Start motoren og aktiver og slip gashåndtaget i et minut.
7. Mål den tid det tager før knivene stopper, efter gashåndtaget er sluppet. Hvis det tager to sekunder eller længere, skal du stoppe motoren og gentage trin 2 til 7.
8. Stop motoren og mærk på knivfladerne. Hvis de ikke er for varme at røre ved, er din justering korrekt. Hvis de er for varme at røre ved, skal du dreje truss-bolten (2) en lille smule tilbage og gentage trin 6 til 8.
9. Monter knivaflastningen ved at stramme skruerne.

BEMÆRK: Inden du foretager justeringen, skal du standse motoren og vente på at knivene stopper.

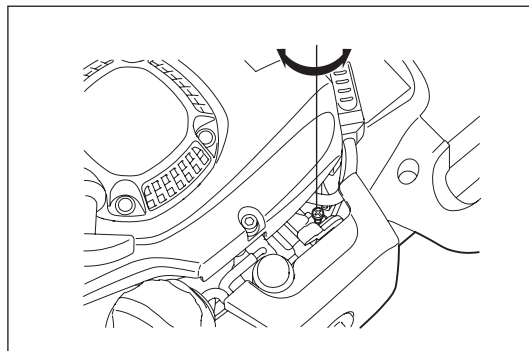
Knivene har en åbning omkring skruen (2). Hvis du finder støv i enden af nogen af åbningerne, skal åbningen renses.



Kontrol og justering af tomgangshastighed

Knivene bør ikke køre, når motoren er i tomgang.

- Tomgangshastigheden bør indstilles til 3.000 min^{-1} (rpm).
 - Juster om nødvendigt tomgangsskruen (knivene må ikke køre, når motoren står i tomgang).
 - Knivene kører under tomgang – drej tomgangsskruen mod urets retning for at sænke tomgangshastigheden.
 - Hvis motoren stopper under tomgang - drej tomgangsskruen i urets retning for at øge tomgangshastigheden.
- Hvis knivene stadig kører under tomgang efter justeringen, skal du konsultere den nærmeste godkendte serviceagent.
- Koblingen bør aktiveres ved 3.750 min^{-1} (rpm) eller højere omdrejninger.
 - Kontroller funktionen af I-O kontakten, lås-fra-mekanismen og gashåndtaget.



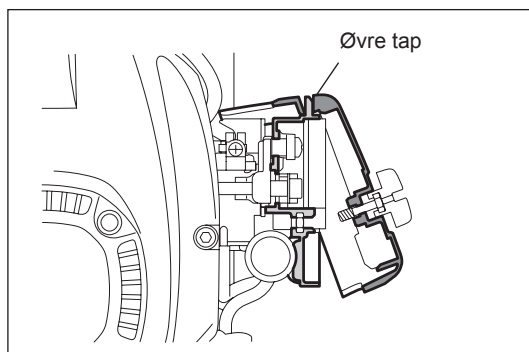
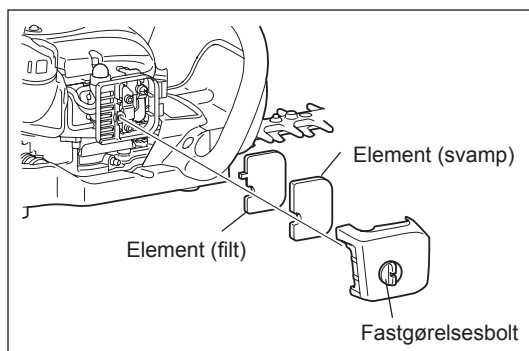
Rensning af luftfilteret



FARE: Brændbare stoffer er strengt forbudt

Kontroller og rengør luftfilteret dagligt eller hver 10. driftstime.

- Drej chokerhåndtaget helt over til den lukkede side og hold karburatoren fri fra støv og snavs.
- Løsn fastgørelsesbolten.
- Træk i bagsiden af luftfilterdækslet og bevæg det fremad for at afmontere det.
- Hvis der sidder olie fast på elementet (svampen), skal den vrides grundigt.
- Når det er meget beskidt:
 - 1) Tag elementet (svampen) af, dyp den ned i varmt vand eller et neutralt rengøringsmiddel fortyndet med vand, og tør den fuldstændigt.
 - 2) Rengør elementet (filt) med benzin og tør det fuldstændigt.
- Sørg for at elementerne er helt tørre, inden du sætter dem på igen. Utilstrækkelig tørring af elementerne kan gøre det svært at starte.
- Tør derefter olie omkring luftfilteret af med en klud.
- Monter straks luftfilterdækslet og spænd fastgørelsesboltene til, når rengøringen er afsluttet. (Ved genmonteringen placeres den øvre tap først.)



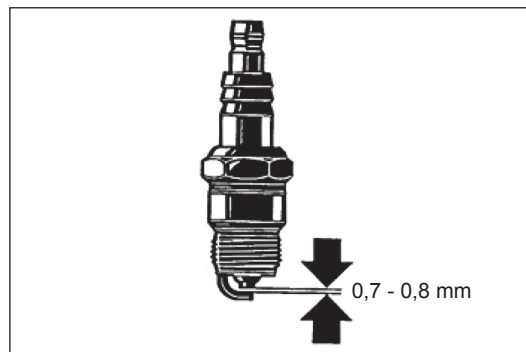
Punkter vedrørende håndtering af luftfilterelementerne

- Rengør elementerne flere gange om dagen, hvis der sætter sig meget støv i filteret.
- Hvis maskinen fortsat anvendes, uden at elementerne rengøres for olie, kan olien i luftfilteret muligvis falde ud og resultere i olieforurening.

Kontrol af tændrøret

Kontroller og rengør tændrøret dagligt eller hver 8. driftstime.

- Anvend kun den medfølgende skiftenøgle til at afmontere og montere tændrøret med.
- Afstanden mellem tændrørets to elektroder bør være på 0,7 til 0,8 mm. Hvis afstanden er for stor eller for lille, skal du justere den. Hvis tændrøret er sodet til eller beskidt, skal du rense det ordentligt eller udskifte det. Det nye tændrør skal være præcis som det, der udskiftes.



Tilføring af fedt og smøremiddel

- Tilfør smøremiddel fra smørenippen hver 50. driftstime. (Shell Alvania nr. 3 eller lignende)

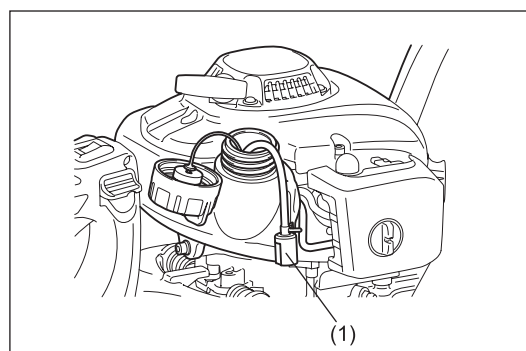
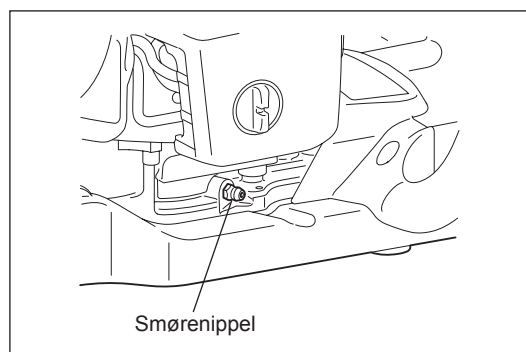
BEMÆRK: Sørg for at overholde de angivne tider og mængder for tilførsel af smøremiddel. Ellers kan utilstrækkelig tilførsel af smøremiddel medføre maskinproblemer.

Rensning af brændstoffilteret (sugehovedet i brændstoftanken)

ADVARSEL: Brændbare stoffer er strengt forbudt

Kontroller og rens brændstoffilteret månedligt eller hver 50. driftstime.

- Sugehovedets filt-filter (1) anvendes til at filtrere det brændstof, som karburatoren behøver.
- Efterse (kig på) filt-filteret med jævne mellemrum.
- For at kontrollere filt-filteret skal du åbne tankdækslet og bruge en trådkrog til at trække sugehovedet ud gennem tankåbningen. Udskift filt-filteret hvis det er blevet hårdt, snavset eller tilstoppet.
- Udskift filt-filteret mindst en gang i kvartalet for at sikre en tilstrækkelig brændstofforforsyning til karburatoren. Ellers kan en utilstrækkelig brændstofforforsyning forårsage problemer med motorstart og begrænset maksimumshastighed.



Udskiftning af brændstofslangen

FORSIGTIG: Brændbare stoffer er strengt forbudt

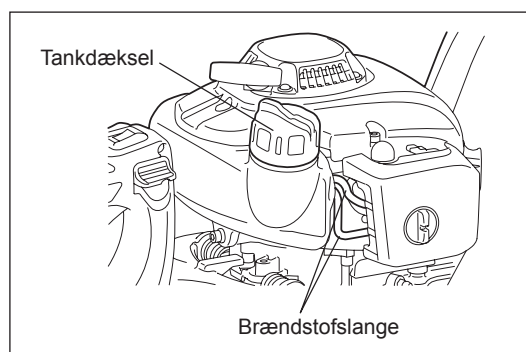
Kontroller og rengør brændstofslangen dagligt eller hver 10. driftstime.

Udskift brændstofslangen hver 200. driftstime eller hvert år uanset antallet af driftstimer. Ellers kan brændstofflækage føre til brand.

Hvis du finder utætheder under eftersyn, skal brændstofslangen straks udskiftes.

Udskiftning af tankdækslet

- Hvis der er revner eller skader på tankdækslet, skal det udskiftes.
- Tankdækslet slides med tiden. Udskift det hvert andet eller tredje år.



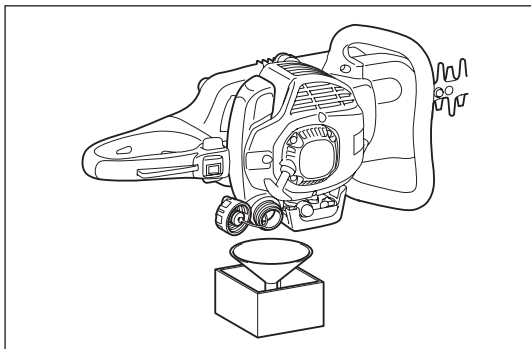
Forhør dig hos dit lokale Makita-autoriserede servicecenter angående vedligeholdelse eller justering som ikke er beskrevet i denne brugsanvisning.

Dagligt eftersyn og vedligeholdelse

Udfør følgende vedligeholdelse med jævne intervaller for at sikre en lang brugslevetid og for at undgå skader på maskinen.

- Inden brug:
 - Kontroller maskinen for løse skruer eller manglende dele. Vær især opmærksom på, om knivskruerne sidder fast.
 - Kontroller for tilstoppning af luftafkølingskanalen og cylinderringene. Rengør dem om nødvendigt.
 - Rengør og kontroller brændstoftanken for brændstofflækage eller fremmedlegemer i tanken.
- Efter brug:
 - Rengør hækkeklipperen udvendigt og undersøg for skader.
 - Rens luftfilteret. Rens filteret flere gange om dagen, når du arbejder i ekstremt støvede omgivelser.
 - Kontroller knivene for skader og vær sikker på, at de sidder godt fast.

OPBEVARING



- Når maskinen gemmes væk i længere tid ad gangen, skal brændstoftanken og karburatoren tømmes for brændstof som følger: Tøm al brændstof ud af brændstoftanken.
- Tag tændrøret ud og dryp et par dråber olie i tændrørshullet. Træk derefter let i starteren for at sikre at olien dækker motoren indvendigt og skru derpå tændrøret på igen.
- Rengør sværdet/knivene for skidt og snavs samt udvendigt på motoren, og tør derpå af med en olievædet klud og opbevar maskinen på et så tørt sted som muligt.

VEDLIGEHOLDELSSESKEMA

Efter påfyldning af brændstof	Gashåndtag I-O kontakt	Kontroller funktionen Kontroller funktionen
Hver gang inden brug	Samling af motor, skruer og møtrikker Luffilter Luftafkølingskanal Sværd/knive Tomgangshastighed Brændstoftank	Se efter for skader og tilspænding Kontroller generel tilstand og sikkerhed Rengør Rengør Kontroller for skader og skarphed Inspektion (knivene må ikke bevæges sig) Kontroller og rengør
Hver 50. time	Gearkasse	Tilføj smøremiddel
Ugentligt	Tændrør	Kontroller og udskift efter behov
Årligt	Brændstofslange	Udskift
Hvert andet år	Tankdæksel	Udskift
Inden langtidsofopbevaring	Brændstoftank Karburator Sugehoved	Tøm og rengør Kør motoren indtil den løber tør for brændstof Udskift

FEJLFINDING

Fejl	System	Observation	Årsag
Motoren starter ikke eller starter med besvær	Tænding	Der er tændingsgnist	Fejl i brændstofføforslen eller kompressionssystemet, mekanisk fejl
		Ingen tændingsgnist	Betjening af I-O kontakten, fejl i ledningsnettet eller kortslutning, tændrør eller tændrørshætte defekt, fejl i tændmodul
	Brændstofføforsel	Brændstoftank fuld	Forkert chokerposition, defekt karburator, beskidt sugehoved (benzinfiler), bøjet eller afbrudt benzinslange
	Kompression	Indeni motoren	Defekt cylinderbundpakning, beskadigede krumtaptætninger, defekt cylinder eller defekte stempelringe
		Udenfor motoren	Forkert forsegling af tændrør
Mekanisk fejl	Starter griber ikke fat	Starterfjederen er i stykker, dele inde i motoren er i stykker	
Problemer ved varmstart		Fuld tank, med tændgnist	Snavset karburator, få den rensat
Motor starter, men dør straks	Brændstofføforsel	Brændstof i tanken	Forkert tomgangsjustering, snavs i sugehoved eller karburator
			Tankudluftning defekt, brændstofslangen afbrudt, kabel eller I-O kontakt defekt,
Manglende ydeevne	Flere systemer kan være samtidigt påvirkede	Motor i tomgang	Luffilter snavset, karburator snavset, lyddæmper tilstoppet, udstødningskanal i cylinderen tilstoppet

Σας ευχαριστούμε που επιλέξατε αυτό το ψαλίδι μπορντούρας της MAKITA. Βρισκόμαστε στην ευχάριστη θέση να σας προσφέρουμε το ψαλίδι μπορντούρας της MAKITA, το οποίο είναι το αποτέλεσμα ενός μακρού προγράμματος ανάπτυξης και πολλών χρόνων γνώσεων και εμπειρίας.

Τα μοντέλα του ψαλιδιού μπορντούρας EH5000W, EH6000W και EH7500W ενσωματώνουν την τελευταία λέξη της τεχνολογίας με τον εργονομικό σχεδιασμό, το ελαφρύ βάρος, την ευκολία χρήσης, τη συνεκτικότητα και αντιπροσωπεύουν επαγγελματικά εργαλεία για μια μεγάλη ποικιλία εφαρμογών.

Παρακαλώ διαβάστε, κατανοήστε και ακολουθήστε αυτό το φυλλάδιο το οποίο αναφέρεται λεπτομερώς στα διάφορα σημεία που θα επιδείξουν την εξαιρετική του απόδοση. Αυτό θα σας βοηθήσει να αποκτήσετε με ασφάλεια τα καλύτερα δυνατά αποτελέσματα από το ψαλίδι μπορντούρας της MAKITA.

**Πίνακας περιεχομένων****Σελίδα**

Συμβολα	115
Οδηγίες ασφαλείας	116
Τεχνικά δεδομένα.....	119
Καθορισμός εξαρτημάτων	120
Καυσίμα/ανεφοδιασμός	121
Μετρα προφυλαξης πριν απο την εκκίνηση	122
Εκκίνηση του μηχανηματος	123
Σταματημα του μηχανηματος.....	123
Λειτουργια του μηχανηματος	124
Ρυθμιση της γωνιας του πισω χερουλιου	124
Οδηγίες συντηρησης	125
Αποθηκευση	128
Προγραμμα συντηρησης	128
Εντοπισμος σφαλματος.....	128

ΣΥΜΒΟΛΑ

Είναι πολύ σημαντικό να κατανοήσετε τα παρακάτω σύμβολα όταν διαβάζετε το εγχειρίδιο οδηγιών.

	ΠΡΟΕΙΔΟΠΟΙΗΣΗ/ΚΙΝΔΥΝΟΣ		Μείγμα καυσίμου και λαδιού
	Διαβάστε, κατανοήστε και ακολουθήστε Εγχειρίδιο οδηγιών		Κινητήρας-Χειροκίνητη εκκίνηση
	Απαγορεύεται		Διακοπή έκτακτης ανάγκης
	Απαγορεύεται το κάπνισμα		Πρώτες βοήθειες
	Όχι γυμνές φλόγες		Ανακύκλωση
	Πρέπει να φοριούνται προστατευτικά γάντια		ΕΝΕΡΓΟΠΟΙΗΣΗ/ΕΚΚΙΝΗΣΗ
	Κρατήστε μακριά από την περιοχή εργασίας όλα τα άτομα και τα κατοικίδια ζώα		ΑΠΕΝΕΡΓΟΠΟΙΗΣΗ/ΣΤΑΜΑΤΗΜΑ
	Φοράτε προστατευτικά για τα μάτια και τα αφτιά		Ένδειξη - CE

Γενικές οδηγίες

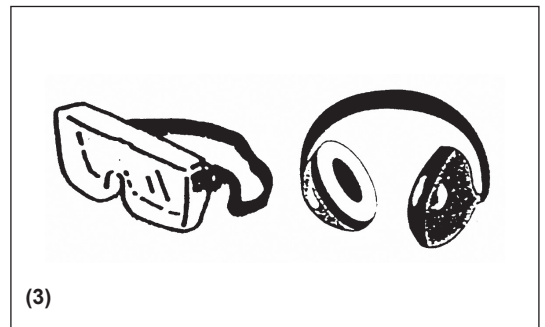
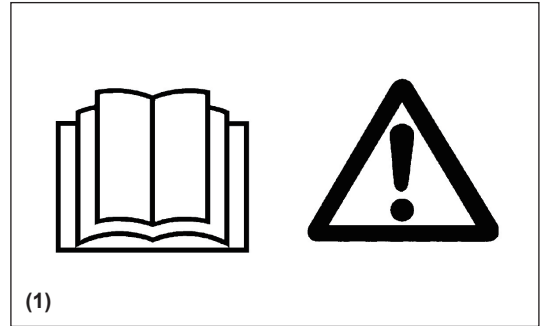
- ΑΥΤΟ ΤΟ ΜΗΧΑΝΗΜΑ ΜΠΟΡΕΙ ΝΑ ΠΡΟΚΑΛΕΣΕΙ ΣΟΒΑΡΟΥΣ ΤΡΑΥΜΑΤΙΣΜΟΥΣ. Διαβάστε προσεκτικά τις οδηγίες για τον σωστό χειρισμό, την προετοιμασία, την συντήρηση την εκκίνηση και το σταμάτημα του μηχανήματος. Εξοικειωθείτε με όλα τα χειριστήρια και την σωστή χρήση του μηχανήματος. (1)
- Συνιστάται να δανείζετε το ψαλίδι μπορντούρας μόνο στα άτομα που έχουν αποδεδειγμένη εμπειρία στα ψαλιδία μπορντούρας. Πάντοτε να παραδίδεται το εγχειρίδιο οδηγιών.
- Οι χρήστες που το χρησιμοποιούν για πρώτη φορά θα πρέπει να ρωτούν τον μεταπωλητή για τις βασικές οδηγίες για να εξοικειωθούν με το χειρισμό του μηχανοκίνητου ψαλιδιού μπορντούρας.
- Στα παιδιά και στα νεαρά άτομα κάτω των 18 ετών δεν θα πρέπει να τους επιτρέπεται η χρήση του ψαλιδιού μπορντούρας. Τα άτομα με ηλικία πάνω από 16 ετών θα μπορούσαν να χρησιμοποιήσουν την συσκευή για εκπαιδευτικούς σκοπούς, μόνο κάτω από την επίβλεψη ενός έμπειρου εκπαιδευτή.
- Χρησιμοποιείτε το ψαλίδι μπορντούρας με την μεγαλύτερη δυνατή φροντίδα και προσοχή.
- Να χρησιμοποιείτε το ψαλίδι μπορντούρας μόνο όταν βρίσκεστε σε καλή φυσική κατάσταση. Να διεξάγετε όλη την εργασία με ηρεμία και προσοχή. Ο χρήστης θεωρείται υπεύθυνος για τους άλλους.
- Ποτέ να μην χρησιμοποιήσετε το ψαλίδι μπορντούρας μετά από την κατανάλωση αλκοόλ ή φαρμάκων, ή εάν αισθανέστε κουρασμένοι ή ασθενείς. (2)

Προοριζόμενη χρήση του μηχανήματος

- Το ψαλίδι μπορντούρας είναι σχεδιασμένο μόνο για το κλάδεμα θάμνων και φρακτών και δεν θα πρέπει να χρησιμοποιείται για οποιοδήποτε άλλο σκοπό. Μην κακομεταχειρίζεστε το ψαλίδι μπορντούρας.

Προσωπικός προστατευτικός εξοπλισμός

- Ο ρουχισμός που φοράτε θα πρέπει να είναι λειτουργικός και κατάλληλος, δηλαδή να είναι εφαρμοστός αλλά να μην σας παρεμποδίζει. Μην φοράτε κοσμήματα ή φαρδιά ρούχα τα οποία μπορούν να μπλεχτούν μέσα στους θάμνους ή στους βάλτους, ή στο μηχάνημα.
- Για την προστασία του τραυματισμού των ματιών, ή των ποδιών καθώς επίσης και την προστασία της ακοής θα πρέπει να χρησιμοποιηθεί ο παρακάτω προστατευτικός εξοπλισμός και ο προστατευτικός ρουχισμός κατά την χρήση του ψαλιδιού μπορντούρας.
- Κατά την χρήση του ψαλιδιού μπορντούρας, πάντοτε να φοράτε προστατευτικά γυαλιά ή προσωπίδα για την αποφυγή του τραυματισμού των ματιών. (3)
- Φοράτε τον απαραίτητο εξοπλισμό προστασίας ενάντια στο θόρυβο για την αποφυγή πρόκλησης βλάβης στην ακοή, προστατευτικά επικαλύμματα αυτιών, ωτοασπίδες κτλ. (3)
- Συστήνουμε ανεπιφύλακτα τη χρήση της φόρμας εργασίας από το χρήστη. (4)
- Ειδικά γάντια φτιαγμένα από παχύ δέρμα αποτελούν μέρος του συνιστώμενου εξοπλισμού και θα πρέπει πάντοτε να φοριούνται κατά την χρήση του ψαλιδιού μπορντούρας. (4)
- Κατά την χρήση του ψαλιδιού μπορντούρας, πάντοτε να φοράτε ανθεκτικά παπούτσια με αντιολισθητικές σόλες. Αυτά προστατεύουν έναντι των τραυματισμών και διασφαλίζουν το καλό πάτημα. (4)



Εκκίνηση του ψαλιδιού μπορντούρας

- Φροντίστε να μην υπάρχουν παιδιά ή άλλα άτομα μέσα σε μια απόσταση εργασίας 15 μέτρων (50), επίσης δώστε προσοχή στο οποιαδήποτε ζώο που υπάρχει μέσα στην περιοχή εργασίας.
- Πριν από τη χρήση ελέγξτε πάντοτε ότι το ψαλίδι μπορντούρας είναι ασφαλές για εργασία.
- Ελέγξτε την ασφάλεια του μοχλού του γκαζιού. Ο μοχλός του γκαζιού θα πρέπει να ελεγχθεί ως προς την ομαλή και εύκολη χρήση του. Ελέγξτε ως προς την σωστή λειτουργία του κλειδώματος του μοχλού του γκαζιού. Ελέγξτε τα χερούλια ώστε να είναι καθαρά και στεγνά και δοκιμάστε τη λειτουργία του διακόπτη I-O. Διατηρήστε τις λαβές καθαρές από λάδι και καύσιμο.

Ξεκινήστε το ψαλίδι μπορντούρας σύμφωνα μόνο με τις οδηγίες.

Μην χρησιμοποιήσετε οποιεσδήποτε άλλες μεθόδους για να ξεκινήσετε τον κινητήρα (6)!

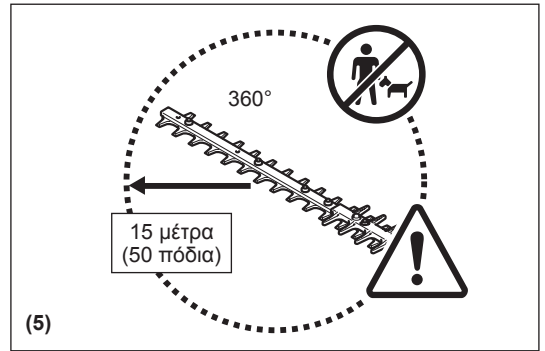
- Χρησιμοποιήστε το ψαλίδι μπορντούρας μόνο για τις καθορισμένες εφαρμογές.
- Ξεκινήστε τον κινητήρα του ψαλιδιού μπορντούρας μόνο αφού η συσκευή έχει πλήρως συναρμολογηθεί. Η λειτουργία του ψαλιδιού μπορντούρας επιτρέπεται μόνο αφού συνδεθούν όλα τα κατάλληλα εξαρτήματα!
- Πριν το ξεκίνημα, βεβαιωθείτε ότι η λάμα κοπής δεν βρίσκεται σε επαφή με οποιαδήποτε αντικείμενα όπως κλαδιά, πέτρες κτλ.
- Σταματήστε αμέσως τον κινητήρα εάν διαπιστώσετε οποιοδήποτε πρόβλημα σε αυτόν.
- Κατά τη λειτουργία, κρατήστε καλά με το δυο σας χέρια το μπροστό και το πίσω χερούλι έχοντα τα δάχτυλά σας γύρω από τα χερούλια. Διατηρήστε τα χερούλια καθαρά από υγρασία, ρητίνη, λάδι ή γράσο.

Πάντοτε να έχετε ένα ασφαλές και με ισορροπία πάτημα.

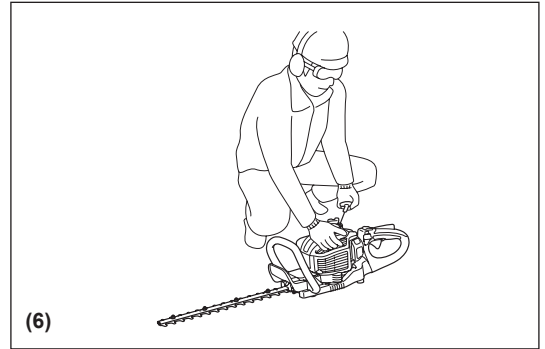
- Μόνο για εξωτερική χρήση.
- Πάντοτε να έχετε επίγνωση του περιβάλλοντός σας και να είστε σε ετοιμότητα για πιθανούς κινδύνους, τους οποίους ενδέχεται να μην ακούσετε λόγω του θορύβου του μηχανήματος.
- Να χειρίζεστε το ψαλίδι μπορντούρας με τέτοιο τρόπο ώστε να αποφεύγετε την εισπνοή των καυσαερίων. Ποτέ να μην λειτουργήσετε τον κινητήρα σε κλειστά δωμάτια (υπάρχει κίνδυνος ασφυξίας και δηλητηρίασης από αέρια). Το μονοξείδιο του άνθρακα είναι ένα άοσμο αέριο. Πάντοτε να διασφαλίσετε ότι υπάρχει επαρκής αερισμός.
- Σταματήστε τον κινητήρα όταν ξεκουράζεστε και όταν αφήνετε το ψαλίδι μπορντούρας χωρίς επίβλεψη. Τοποθετήστε το σε ένα ασφαλές μέρος ώστε να μην προκληθεί κίνδυνος σε τρίτους ή πυρκαγιά σε εύφλεκτα υλικά ή ζημιά στο μηχανήμα.
- Ποτέ να μην τοποθετείτε το ψαλίδι μπορντούρας όταν είναι ζεστό πάνω σε ξερά χόρτα ή πάνω σε άλλα εύφλεκτα υλικά.
- Για να ελαχιστοποιήσετε τον κίνδυνο πυρκαγιάς, διατηρείτε τον κινητήρα και το σιγαστήρα καθαρούς από σωματίδια, φύλλα ή την υπερβολική ποσότητα λιπαντικού.
- Ποτέ να μην λειτουργείτε τον κινητήρα με ένα σιγαστήρα της εξάτμισης που έχει πάθει ζημιά.
- Κλείστε τον κινητήρα κατά την μεταφορά (7).
- Σταματήστε τον κινητήρα πριν:
 - Αποκατάσταση μιας εμπλοκής.
 - Έλεγχο, συντήρηση ή εκτέλεση εργασίας πάνω στο μηχανήμα.
- Ασφαλή τοποθέτηση του ψαλιδιού μπορντούρας κατά την μεταφορά του με αυτοκίνητο ή φορτηγό για την αποφυγή της διαρροής καυσίμου.
- Κατά την μεταφορά του ψαλιδιού μπορντούρας, διασφαλίστε ότι το ρεζερβουάρ καυσίμου είναι εντελώς άδειο για την αποφυγή της διαρροής καυσίμου.
- Κατά την μεταφορά ή την αποθήκευση του μηχανήματος πάντοτε να τοποθετείτε το κάλυμμα του μηχανισμού κοπής.

Ανεφοδιασμός καυσίμου

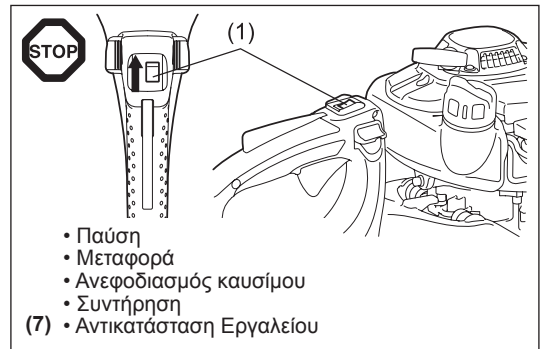
- Πριν τον ανεφοδιασμό καυσίμου σβήστε τον κινητήρα (7), να είστε μακριά από τις γυμνές φλόγες (8) και να μην καπνίζετε.
- Μην προσπαθήσετε να ανεφοδιάσετε με καύσιμα όταν ο κινητήρας είναι ζεστός ή όταν βρίσκεται σε λειτουργία.
- Αποφύγετε την επαφή του δέρματος με προϊόντα πετρελαιοειδών. Μην εισπνέετε τους ατμούς του καυσίμου. Πάντοτε να φοράτε προστατευτικά γάντια κατά τον ανεφοδιασμό του καυσίμου. Αλλάζετε και καθαρίζετε τον προστατευτικό ρουχισμό σε τακτικά διαστήματα.
- Δώστε προσοχή ώστε να μην ρίξετε κάτω καύσιμο ή λάδια για την αποφυγή της ρύπανσης του εδάφους (προστασία του περιβάλλοντος). Σκουπίστε το ψαλίδι μπορντούρας αμέσως αν πέσει πάνω του καύσιμο. Στεγνώστε επίσης τα υφάσματα που χρησιμοποιήθηκαν για το σκούπισμα σε μια καλά αεριζόμενη περιοχή πριν τα απορρίψετε. Αν δεν τηρήσετε αυτή την οδηγία μπορεί να προκληθεί αυτανάφλεξη.
- Αποφύγετε την οποιαδήποτε επαφή του καυσίμου με τα ρούχα σας. Αλλάξτε αμέσως τα ρούχα σας εάν πέσει πάνω σε αυτά καύσιμο (απειλή κινδύνου).
- Επιθεωρείτε τακτικά την τάπα του ρεζερβουάρ καυσίμου για να σιγουρευτείτε ότι είναι καλά κλεισμένη.
- Προσεκτικά σφίξτε την τάπα του ρεζερβουάρ καυσίμου. Αλλάξτε θέση για την εκκίνηση του κινητήρα (τουλάχιστον 3 μέτρα μακριά από τον χώρο του ανεφοδιασμού) (9).
- Ποτέ να μην ανεφοδιάζετε σε κλειστά δωμάτια. Οι ατμοί του καυσίμου συσσωρεύονται στο επίπεδο του εδάφους (κίνδυνος εκρήξεων).
- Να μεταφέρετε και να αποθηκεύετε τα καύσιμα σε κατάλληλα δοχεία. Φροντίστε ώστε το αποθηκευμένο καύσιμο να μην είναι προσβάσιμο στα παιδιά.
- Κατά την ανάμιξη βενζίνης με λάδι για δίχρονο κινητήρα, χρησιμοποιήστε μόνο βενζίνη που δεν περιέχει αιθανόλη ή μεθανόλη (τύποι αλκοόλης). Αυτό θα βοηθήσει στην αποτροπή πρόκλησης βλάβης στις γραμμές καυσίμου και σε άλλα τμήματα του κινητήρα.



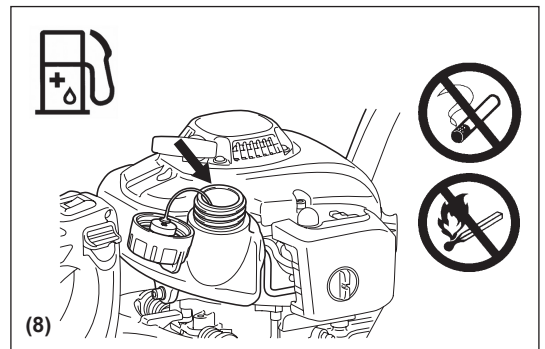
(5)



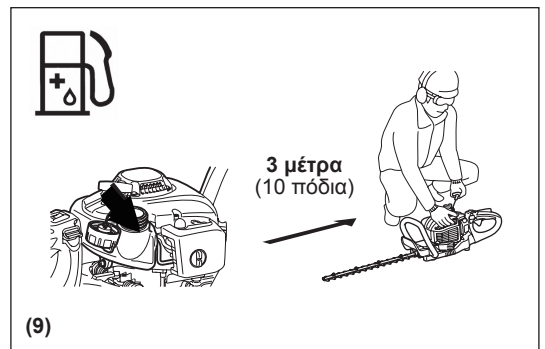
(6)



(7)



(8)



(9)

Μέθοδος Λειτουργίας

- Πάντοτε να χρησιμοποιείτε τα δυο χέρια σας για να πιάσετε την κάθε λαβή κατά τη λειτουργία.
- Χρησιμοποιείτε το ψαλίδι μπορντούρας μόνο υπό συνθήκες καλού φωτισμού και ορατότητας. Κατά τη διάρκεια των ψυχρών εποχών δώστε προσοχή στις περιοχές που είναι υγρές και γλιστρούν, στον πάγο και στο χιόνι (κίνδυνος ολισθηρότητας). Πάντοτε να έχετε ένα ασφαλές πάτημα.
- Ποτέ να μην εργάζεστε πάνω σε ασταθείς επιφάνειες ή σε απόκρημνα εδάφη.
- Ποτέ να μην λειτουργείτε το ψαλίδι μπορντούρας όταν είστε ανεβασμένοι πάνω σε σκάλα.
- Ποτέ να μην σκαρφαλώνετε πάνω σε δέντρα για να εκτελέσετε εργασίες κοπής με το ψαλίδι μπορντούρας.
- Για να ελαττώσετε τον κίνδυνο πρόσκρουσης και απώλειας του ελέγχου, μην περπατάτε προς τα πίσω όταν χειρίζεστε το μηχάνημα.
- Πάντοτε να σταματάτε τον κινητήρα πριν από τον καθαρισμό ή τη συντήρηση της συσκευής ή την αντικατάσταση εξαρτημάτων.
- Μην λειτουργείτε το μηχάνημα με μια συσκευή κοπής που έχει πάθει ζημιά ή έχει φθαρεί υπερβολικά.

Οδηγίες συντήρησης

- Να σέβετε το περιβάλλον. Λειτουργείτε το ψαλίδι μπορντούρας με όσο το δυνατόν λιγότερο θόρυβο και μικρότερη πρόκληση ρύπανσης. Ιδιαίτερα ελέγξτε τις σωστές ρυθμίσεις του καρμπυρατέρ.
- Καθαρίζετε το ψαλίδι μπορντούρας ανά τακτά διαστήματα και ελέγξτε ότι όλες οι βίδες και τα παξιμάδια είναι καλά σφιγμένα.
- Ποτέ να μην εκτελείτε το σέρβις ή μην αποθηκεύσετε το ψαλίδι μπορντούρας κοντά σε γυμνές φλόγες, σπινθήρες κτλ. (11).
- Αδειάστε το ρεζερβουάρ του καυσίμου πριν αποθηκεύσετε το ψαλίδι μπορντούρας.
- Ποτέ μην αποθηκεύσετε το ψαλίδι μπορντούρας κοντά σε γυμνές φλόγες για να αποφύγετε τις πυρκαγιές.
- Αποθηκεύετε το ψαλίδι μπορντούρας σε ένα καλά αεριζόμενο χώρο, ο οποίος βρίσκεται ψηλά ή είναι κλειδωμένος ώστε να μην είναι προσβάσιμος στα παιδιά.
- Μην προσπαθήσετε να επισκευάσετε το μηχάνημα εκτός και αν είστε εκπαιδευμένος να το κάνετε αυτό.

Να τηρείτε και να ακολουθείτε όλες τις σχετικές οδηγίες για την αποφυγή ατυχημάτων που εκδίδονται από τα συμβούλια ασφαλείας των εμπορικών ενώσεων και τις ασφαλιστικές εταιρίες.

Μην εκτελέσετε καμιά τροποποίηση στο ψαλίδι μπορντούρας επειδή αυτό θα θέσει σε κίνδυνο την ασφάλειά σας.

Η εκτέλεση των εργασιών συντήρησης και επισκευής από τον χρήστη περιορίζεται στις δραστηριότητες που περιγράφονται στο εγχειρίδιο οδηγιών. Όλες οι άλλες εργασίες πρέπει να γίνονται από ένα Εξουσιοδοτημένο Αντιπρόσωπο του Σέρβις. Χρησιμοποιείτε μόνο αυθεντικά ανταλλακτικά και αξεσουάρ που παρέχονται από την Makita ή από εξουσιοδοτημένα εργοστασιακά κέντρα εξυπηρέτησης.

Η χρήση μη εγκεκριμένων εξαρτημάτων και εργαλείων επιφέρει τον αυξημένο κίνδυνο ατυχημάτων. Η MAKITA δεν θα αποδεχτεί την οποιαδήποτε ευθύνη για ατυχήματα ή φθορά που προκλήθηκε από την χρήση μη εγκεκριμένων αξεσουάρ.

Πρώτες βοήθειες

Για την περίπτωση ατυχήματος, φροντίστε να υπάρχει διαθέσιμο ένα κουτί πρώτων βοηθειών με όλα τα απαραίτητα υλικά σύμφωνα με την DIN 13164 στην περιοχή όπου εκτελούνται οι εργασίες κοπής.

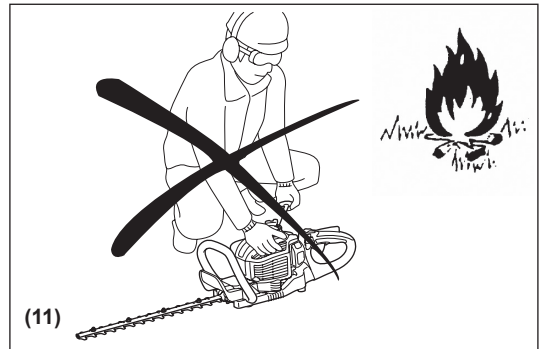
Αντικαταστήστε αμέσως το οποιοδήποτε αντικείμενο που πάρθηκε από το κουτί των πρώτων βοηθειών.

Όταν ζητάτε βοήθεια, παρακαλώ παράσχετε τις ακόλουθες πληροφορίες:

- Τόπος του ατυχήματος
- Τι συνέβη
- Αριθμός τραυματισμένων ατόμων
- Σοβαρότητα των τραυματισμών
- Το όνομά σας

Συσκευασία

Το ψαλίδι μπορντούρας της MAKITA παραδίδεται μέσα σε ένα προστατευτικό χαρτοκιβώτιο για την αποφυγή πρόκληση φθοράς κατά την μεταφορά. Η χαρτόκουτα είναι μια βασική πρώτη ύλη και επομένως μπορεί να επαναχρησιμοποιηθεί ή να ανακυκλωθεί (ανακύκλωση άχρηστου χαρτιού).



ΕΚ - ΔΗΛΩΣΗ ΣΥΜΜΟΡΦΩΣΗΣ

Η Εταιρία Makita ως υπεύθυνος κατασκευαστής, δηλώνει ότι το παρακάτω μηχάνημα ή μηχανήματα της Makita:

Όνομασία Μηχανήματος: Βενζινοκίνητο Ψαλίδι Μπορντούρας

Αρ. Μοντέλου/ Τύπος: EH5000W, EH6000W, EH7500W

Προδιαγραφές: δείτε τα "ΤΕΧΝΙΚΑ ΔΕΔΟΜΕΝΑ"

αποτελεί παραγωγή σε σειρά και

Συμμορφώνονται με την ακόλουθη Ευρωπαϊκή Οδηγία(ες):

2000/14/EK, 2006/42/EK

Και κατασκευάζονται σύμφωνα με το παρακάτω πρότυπο(α) ή τυποποιημένο έγγραφο(α):

EN ISO 10517

Ο εξουσιοδοτημένος μας αντιπρόσωπος στην Ευρώπη διατηρεί τα τεχνικά έγγραφα, ο οποίος είναι:

Makita International Europe Ltd.

Michigan Drive, Tongwell, Milton Keynes, Bucks MK15 8JD, England

Η διαδικασία εκτίμησης συμμόρφωσης που απαιτείται από την Οδηγία 2000/14/EK εκτελέστηκε σύμφωνα με το Παράρτημα V.

Μετρημένο επίπεδο ηχητικής ισχύος: EH5000W 104,0 dB (A), EH6000W 104,2 dB (A), EH7500W 104,8 dB (A)

Εγγυημένο επίπεδο ηχητικής ισχύος: Όλα τα μοντέλα 106 dB (A)

1. 12. 2010

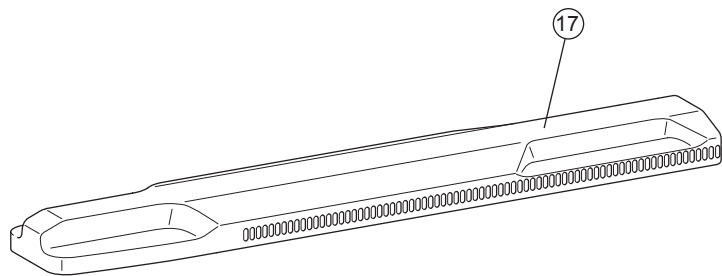
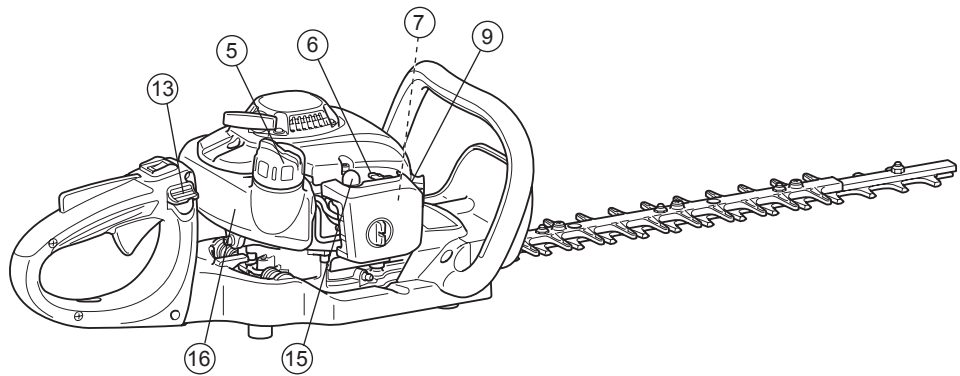
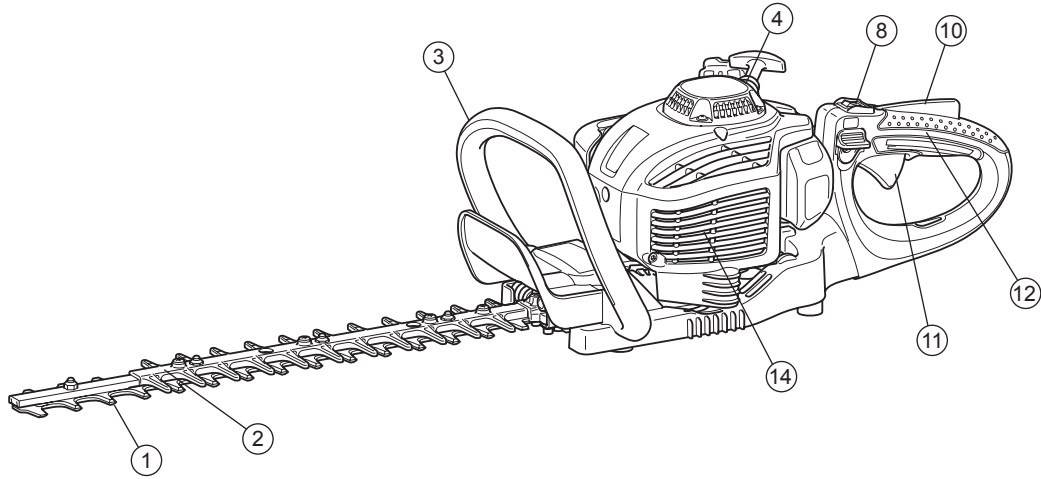


Tomoyasu Kato
Διευθυντής
Makita Corporation
3-11-8, Sumiyoshi-cho,
Anjo, Aichi, 446-8502, JAPAN

ΤΕΧΝΙΚΑ ΔΕΔΟΜΕΝΑ

Μοντέλο		EH5000W	EH6000W	EH7500W	
Διαστάσεις (Μ x Π x Υ)	mm	1.014 x 262 x 216	1.119 x 262 x 216	1.259 x 262 x 216	
Μάζα (χωρίς το κάλυμμα της λάμας)	kg	4,8	5,0	5,2	
Όγκος (ρεζερβουάρ καυσίμου)	L		0,4		
Εκτόπισμα κινητήρα	cm ³		22,2		
Μήκος κοπής	mm	483	588	728	
Μέγιστη απόδοση κινητήρα	kW		0,68		
Μέγιστη ταχύτητα λάμας	min ⁻¹		4.270		
Ταχύτητα ρελαντί	min ⁻¹		3.000		
Ταχύτητα εμπλοκής συμπλέκτη	min ⁻¹		4.000		
Τύπος καρμπυρατέρ	τύπος	WALBRO WYL			
Σύστημα ανάφλεξης	τύπος	Ανάφλεξη στερεάς κατάστασης			
Μπουζί	τύπος	NGK CMR6A			
Απόσταση των άκρων των ηλεκτροδίων	mm	0,7 - 0,8			
Δόνηση σύμφωνα με το EN ISO 10517	Δεξιό χερούλι	$a_{hv\ eq}$ m/s ²	2,5	2,7	2,3
		Αβεβαιότητα K	1,3	1,1	1,6
	Αριστερό χερούλι	$a_{hv\ eq}$ m/s ²	2,5	2,8	2,3
		Αβεβαιότητα K	1,3	1,1	1,2
Θόρυβος σύμφωνα με το EN ISO 10517	Επίπεδο ηχητικής πίεσης	dB (A)	93,0	92,8	93,9
		Αβεβαιότητα K	1,4	2,2	1,2
	Επίπεδο ισχύος θορύβου	dB (A)	103,0	103,2	103,8
		Αβεβαιότητα K	2,1	1,5	1,3
Αναλογία μίξης (καύσιμο: λάδι κινητήρα)	Αυθεντικό λάδι δίχρονου κινητήρα Makita	50 : 1			
	Λάδι δίχρονου κινητήρα άλλου κατασκευαστή	25 : 1			
Σχέση μετάδοσης		9 : 43			

ΚΑΘΟΡΙΣΜΟΣ ΕΞΑΡΤΗΜΑΤΩΝ



	ΚΑΘΟΡΙΣΜΟΣ ΕΞΑΡΤΗΜΑΤΩΝ		ΚΑΘΟΡΙΣΜΟΣ ΕΞΑΡΤΗΜΑΤΩΝ		ΚΑΘΟΡΙΣΜΟΣ ΕΞΑΡΤΗΜΑΤΩΝ
1	Λάμα	7	Καρμπυρατέρ (δεν δείχνεται)	13	Μοχλός απελευθέρωσης
2	Στομωμένη προέκταση	8	I-O διακόπτης (ΑΝΟΙΚΤΟΣ-ΚΛΕΙΣΤΟΣ)	14	Σιγαστήρας
3	Μπροστινή λαβή	9	Μπουζί	15	Αντλία προέγχυσης
4	Εκκινήτριας ανατύλιξης	10	Μοχλός κλειδώματος	16	Ρεζερβουάρ καυσίμου
5	Τάπα ρεζερβουάρ καυσίμου	11	Μοχλός γκαζιού	17	Κάλυμμα λαμών
6	Μοχλός τσοκ	12	Πίσω χερούλι		

Μείγμα καυσίμου και λαδιού

- Ο κινητήρας του ψαλιδιού μπορντούρας είναι ένας δίχρονος κινητήρας υψηλής απόδοσης.
Λειτουργεί με ένα μείγμα καυσίμου και λαδιού δίχρονου κινητήρα. Ο κινητήρας είναι σχεδιασμένος να λειτουργεί με κανονικό αμόλυβδο καύσιμο με την ελάχιστη τιμή οκτανίων των 91 ROZ.
Εάν για οποιοδήποτε λόγο δεν είναι διαθέσιμο τέτοιο καύσιμο, μπορείτε να χρησιμοποιήσετε καύσιμο με υψηλότερη τιμή οκτανίων. Αυτό δεν θα βλάψει τον κινητήρα, αλλά μπορεί να προκαλέσει φτωχή συμπεριφορά λειτουργίας.
Παρόμοια προβλήματα θα προκύψουν από τη χρήση καυσίμου με μόλυβδο.
Για να αποκτήσετε τη βέλτιστη λειτουργία του κινητήρα και για την προστασία της υγείας σας και του περιβάλλοντος, χρησιμοποιήστε μόνο αμόλυβδο καύσιμο!
- Για την λίπανση του κινητήρα χρησιμοποιήστε ένα δίχρονο λάδι κινητήρα (διαβάθμιση ποιότητας: TSC-3), το οποίο προστίθεται στο καύσιμο.
Ο κινητήρας είναι σχεδιασμένος να χρησιμοποιεί το καθορισμένο λάδι δίχρονου κινητήρα ΜΑΚΙΤΑ στην αναλογία μείγματος 50:1 μόνο για την προστασία του περιβάλλοντος. Επιπρόσθετα, εγγυάται η μεγάλη διάρκεια ζωής και η αξιόπιστη λειτουργία με την ελάχιστη έκλυση καυσαερίων. Είναι απολύτως απαραίτητο να τηρήσετε την αναλογία μείγματος 50:1 (2-χρονο λάδι κινητήρα ΜΑΚΙΤΑ), διαφορετικά δεν είναι εγγυημένη η αξιόπιστη λειτουργία του ψαλιδιού μπορντούρας.
- Η σωστή αναλογία μείγματος:
Βενζίνη: Καθορισμένο λάδι δίχρονου κινητήρα = 50 : 1 ή
Βενζίνη: Λάδι δίχρονου κινητήρα άλλου κατασκευαστή = 25 : 1 συνιστάται

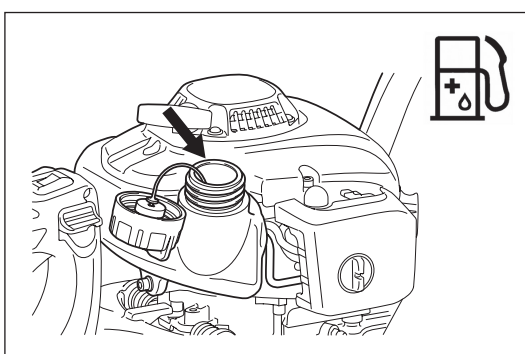
ΣΗΜΕΙΩΣΗ: Για την παρασκευή του μείγματος καυσίμου-ελαίου, πρώτα αναμίξτε το σύνολο της ποσότητας του λαδιού με το ήμισυ της ποσότητας του καυσίμου που απαιτείται σε ένα εγκεκριμένο δοχείο, το οποίο ικανοποιεί ή υπερβαίνει όλα τα πρότυπα του τοπικού κώδικα. Στη συνέχεια προσθέστε την ποσότητα του καυσίμου που απομένει. Ανακινείτε καλά το μείγμα πριν το ρίξετε μέσα στο ρεζερβουάρ του ψαλιδιού μπορντούρας.
Δεν είναι ενδεδειγμένο να προσθέσετε περισσότερο λάδι από το καθορισμένο για να εξασφαλίσετε την ασφαλή λειτουργία. Αυτό θα έχει ως αποτέλεσμα μόνο την υψηλότερη παραγωγή κατάλοιπων καύσης τα οποία ρυπαίνουν το περιβάλλον και βουλώνουν το κανάλι της εξάτμισης στον κύλινδρο καθώς επίσης και στο σιγαστήρα. Επιπρόσθετα, η κατανάλωση καυσίμου θα αυξηθεί και η απόδοση θα μειωθεί.

Χειρισμός πετρελαϊκών προϊόντων

Απαιτείται μεγάλη προσοχή κατά τον χειρισμό των καυσίμων. Τα καύσιμα μπορεί να περιέχουν ουσίες όμοιες με τους διαλύτες. Ανεφοδιάστε σε ένα καλά αεριζόμενο δωμάτιο είτε σε ένα εξωτερικό χώρο. Μην εισπνεύσετε τους ατμούς του καυσίμου και αποφύγετε την επαφή του καυσίμου ή του λαδιού με το δέρμα σας.
Εάν επανειλημμένα και για μακρά χρονικά διαστήματα έρθει το δέρμα σας σε επαφή με αυτές τις ουσίες τότε θα αφυδατωθεί.
Μπορούν να προκληθούν διάφορες δερματικές παθήσεις. Επιπρόσθετα μπορούν να προκληθούν αλλεργικές αντιδράσεις.
Τα μάτια μπορούν να ερεθιστούν ερχόμενα σε επαφή με το λάδι, το καύσιμο κτλ.
Εάν το λάδι έρθει σε επαφή με τα μάτια σας, να τα πλύνετε αμέσως με καθαρό νερό.
Αν τα μάτια σας παραμείνουν ερεθισμένα επισκεφτείτε ένα γιατρό αμέσως!



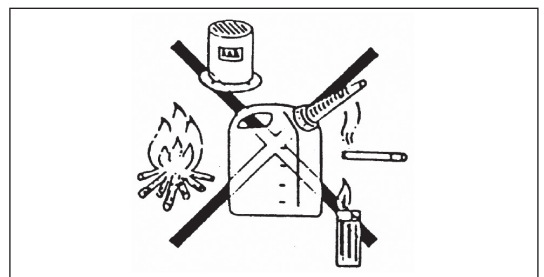
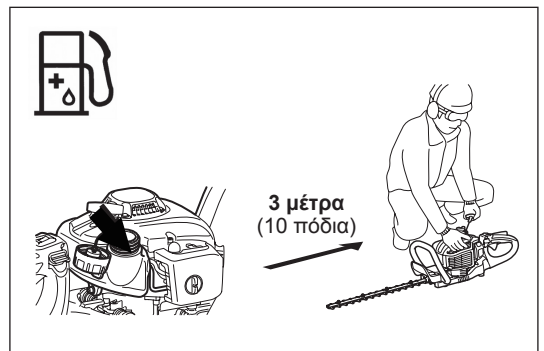
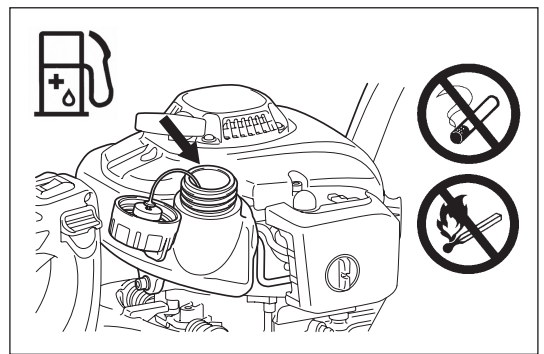
Τηρήστε τις Οδηγίες Ασφαλείας της σελίδας 117.



Βενζίνη	+	Λάδι
50	50:1	1
1.000 cm ³ (1 λίτρο)		20 cm ³ 40 cm ³
5.000 cm ³ (5 λίτρα)		100 cm ³ 200 cm ³
10.000 cm ³ (10 λίτρα)		200 cm ³ 400 cm ³

Ανεφοδιασμός καυσίμου

- Ο κινητήρας πρέπει να είναι κλειστός.
- Κατά τον ανεφοδιασμό καυσίμου σβήστε τον κινητήρα, να είστε μακριά από τις γυμνές φλόγες και να μην καπνίζετε.
- Δώστε προσοχή ώστε να μην ρίξετε κάτω καύσιμο ή λάδι για την αποφυγή της ρύπανσης του εδάφους.
Καθαρίστε το ψαλίδι μπορντούρας αμέσως αν πέσει πάνω του καύσιμο.
- Μην ρίξετε καύσιμο πάνω στον κινητήρα. Σκουπίστε εάν πέσει καύσιμο.
- Αποφύγετε την οποιαδήποτε επαφή του καυσίμου με τα ρούχα σας. Αλλάξτε τα ρούχα σας αμέσως μετά την πτώση του καυσίμου επάνω τους (για την αποφυγή της πρόκλησης φωτιάς στα ρούχα σας).
- Επιθεωρείστε την τάπα του καυσίμου τακτικά για να διασφαλίσετε ότι μπορεί να στερεωθεί σταθερά και ότι δεν παρουσιάζει διαρροή.
- Προσεκτικά σφίξτε την τάπα του ρεζερβουάρ καυσίμου. Αλλάξτε θέση για την εκκίνηση του κινητήρα (τουλάχιστον 3 μέτρα μακριά από τον χώρο του ανεφοδιασμού).
- Ποτέ να μην ανεφοδιάζετε σε κλειστά δωμάτια. Οι ατμοί του καυσίμου συσσωρεύονται στο επίπεδο του εδάφους. (Κίνδυνος εκρήξεων.)
- Να μεταφέρετε και να αποθηκεύετε το καύσιμο μόνο σε εγκεκριμένα δοχεία. Φροντίστε ώστε το αποθηκευμένο καύσιμο να μην είναι προσβάσιμο στα παιδιά.
- Καθαρίστε καλά την περιοχή γύρω από την τάπα του ρεζερβουάρ για να αποτρέψετε την είσοδο βρωμιάς μέσα στο ρεζερβουάρ καυσίμου.
- Ξεβιδώστε την τάπα και γεμίστε το ρεζερβουάρ με καύσιμο. Χρησιμοποιήστε ένα διηθητικό χωνί για να φιλτράρετε το καύσιμο.
- Σφίξτε την βίδα στην τάπα μόνο με το χέρι.
- Καθαρίστε το χώρο γύρω από την κοχλιωτή τάπα και το ρεζερβουάρ μετά τον ανεφοδιασμό.
- Πάντοτε να σκουπίζετε την οποιαδήποτε χυμένη ποσότητα καυσίμου για την αποφυγή πρόκλησης πυρκαγιάς.

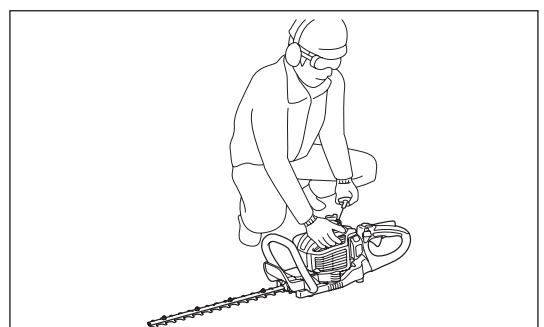
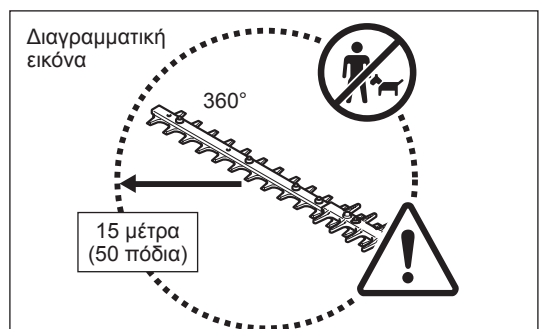


Αποθήκευση καυσίμου

- Το καύσιμο δεν μπορεί να αποθηκευτεί για απεριόριστο χρονικό διάστημα.
- Αγοράστε μόνο την ποσότητα που απαιτείται για μια περίοδο λειτουργίας 4 εβδομάδων.
- Χρησιμοποιήστε μόνο τα εγκεκριμένα δοχεία αποθήκευσης καυσίμου.

ΜΕΤΡΑ ΠΡΟΦΥΛΑΞΗΣ ΠΡΙΝ ΑΠΟ ΤΗΝ ΕΚΚΙΝΗΣΗ

- Βεβαιωθείτε ότι στο χώρο εργασίας δεν παρευρίσκονται παιδιά ή άλλα άτομα μέσα σε μια απόσταση εργασίας 15 μέτρων. Προσέξτε επίσης, να μη βρίσκεται οποιοδήποτε ζώο στο χώρο εργασίας.
- Πριν από τη χρήση ελέγχετε πάντοτε ότι το ψαλίδι μπορντούρας είναι ασφαλές για εργασία. Ελέγξτε ότι η συσκευή κοπής δεν έχει πάθει ζημιά, ότι λειτουργεί με ευκολία ο μοχλός ελέγχου και ότι λειτουργεί κανονικά το διακόπτης I-O. Βεβαιωθείτε ότι δεν κινούνται οι λάμες κοπής όταν ο κινητήρας βρίσκεται στο ρελαντί.
Εάν έχετε αμφιβολία απευθυνθείτε στον μεταπωλητή σας για τη ρύθμιση. Φροντίστε ώστε τα χερούλια να είναι καθαρά και στεγνά και δοκιμάστε τη λειτουργία του διακόπτη I-O.
- Ξεκινήστε το ψαλίδι μπορντούρας σύμφωνα μόνο με τις οδηγίες. Μην χρησιμοποιήσετε οποιεσδήποτε άλλες μεθόδους για να ξεκινήσετε τον κινητήρα. (Δείτε την ενότητα Εκκίνηση)
- Ξεκινήστε τον κινητήρα μόνο αφού η συσκευή έχει πλήρως συναρμολογηθεί. Η λειτουργία της συσκευής επιτρέπεται μόνο αφού συνδεθούν όλα τα κατάλληλα εξαρτήματα. Διαφορετικά υπάρχει κίνδυνος τραυματισμού.
- Πριν το ξεκίνημα, βεβαιωθείτε ότι οι λάμες κοπής δεν βρίσκονται σε επαφή με οποιαδήποτε αντικείμενα όπως κλαδιά, πέτρες κτλ.
- Πριν από το κλάδεμα, επιθεωρήστε την περιοχή για σύρματα, καλώδια, γυαλιά, ή άλλα ξένα αντικείμενα τα οποία μπορούν να έρθουν σε επαφή με την λάμα.
- Ηλεκτροπληξία. Δώστε προσοχή στις οποιοσδήποτε ηλεκτρικές γραμμές ή ηλεκτρικούς φράκτες. Ελέγξτε όλες τις περιοχές για την ύπαρξη γραμμών ηλεκτρικού ρεύματος πριν από την κοπή.



ΕΚΚΙΝΗΣΗ ΤΟΥ ΜΗΧΑΝΗΜΑΤΟΣ

Μετακινηθείτε τουλάχιστον 3 μέτρα μακριά από το σημείο ανεφοδιασμού με καύσιμο. Τοποθετήστε το ψαλίδι μπορντούρας πάνω σε μια καθαρή περιοχή στο έδαφος. Φροντίστε ώστε οι λάμες κοπής να μην έρχονται σε επαφή με το έδαφος ή με οποιαδήποτε άλλα αντικείμενα.

Ψυχρή εκκίνηση: (Όταν ο κινητήρας είναι ψυχρός ή έχει σταματήσει περισσότερο από 5 λεπτά ή όταν προστέθηκε καύσιμο στον κινητήρα.)

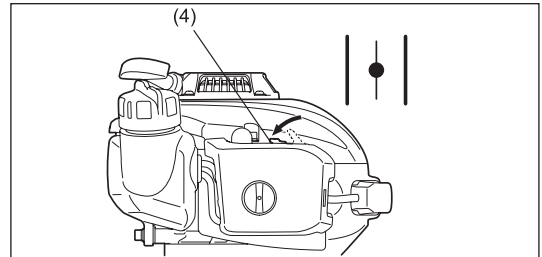
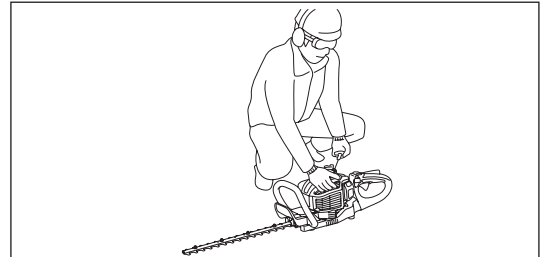
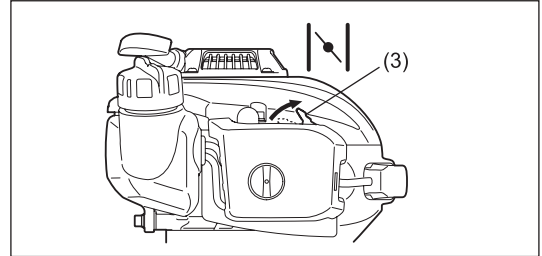
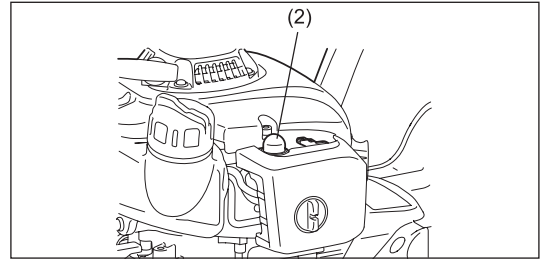
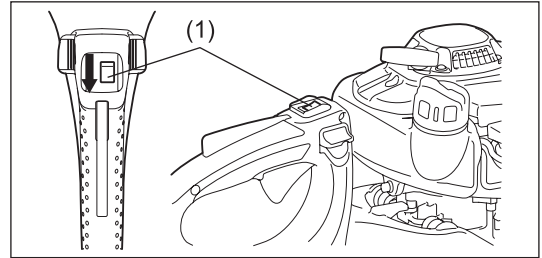
1. Σπρώξτε το διακόπτη I-O (1) στη θέση "I".
2. Πιέστε με προσοχή την αντλία προέγχυσης (2) επαναλαμβανόμενα (7 έως 10 φορές) έως ότου το καύσιμο μπει στην αντλία προέγχυσης.
3. Μετακινήστε την μοχλό του τσοκ (3) στη θέση "I".
4. Κρατήστε καλά κάτω το ψαλίδι μπορντούρας για τα αποφύγετε την απώλεια ελέγχου κατά την εκκίνηση του κινητήρα. Αν δεν το κάνετε αυτό μπορεί να προκληθεί σοβαρός τραυματισμός και/ή βλάβη στην περιουσία λόγω της πτώσης αντικειμένων ή της επαφής με την λάμα κοπής.
5. Τραβήξτε το χερούλι εκκίνησης αργά έως τα 10 με 15 cm μέχρι να αισθανθείτε την αντίσταση.
6. Τραβήξτε το χερούλι εκκίνησης με δύναμη αισθανόμενοι την αντίσταση και ξεκινήστε τον κινητήρα.
7. Κατά την εκκίνηση του κινητήρα ή όταν προσπαθεί να ξεκινήσει και σταματά, επιστρέψτε το μοχλό του τσοκ (4) στο "I".
8. Λειτουργήστε τον κινητήρα για περίπου ένα λεπτό σε μέτρια ταχύτητα πριν ανοίξετε πλήρως το γκάζι.

Σημείωση: • Εάν το χερούλι του εκκινητήρα τραβηχτεί επαναλαμβανόμενα καθώς ο μοχλός του τσοκ παραμένει στην θέση "I", ο κινητήρας δεν θα ξεκινήσει εύκολα λόγω της υπερβολικής εισαγωγής καυσίμου.

• Εάν εισέλθει υπερβολική ποσότητα καυσίμου, αφαιρέστε το μπουζί και τραβήξτε το χερούλι του εκκινητήρα αργά για να αφαιρέσετε το υπερβολικό καύσιμο. Επίσης, στεγνώστε το τμήμα του ηλεκτροδίου του μπουζιού.

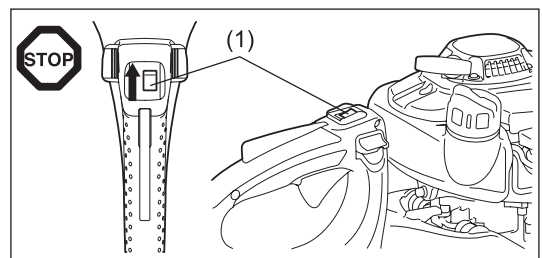
Θερμή εκκίνηση: (Επανεκκίνηση αμέσως μετά το σταμάτημα του κινητήρα.) Κατά την επανεκκίνηση ενός ζεστού κινητήρα, πρώτα ακολουθήστε την παραπάνω διαδικασία: 1, 2, 4, 5, 6 με το μοχλό του τσοκ (4) στο "I". Εάν ο κινητήρας δεν ξεκινά, επαναλάβετε τα παραπάνω βήματα 1-8.

Σημείωση: Μην τραβήξετε το σχοινί του εκκινητήρα πλήρως μέχρι το τέρμα. Μην αφήσετε τη λαβή του εκκινητήρα να επιστρέψει ανεξέλεγκτα προς τα πίσω. Διασφαλίστε ότι επιστρέφει αργά.



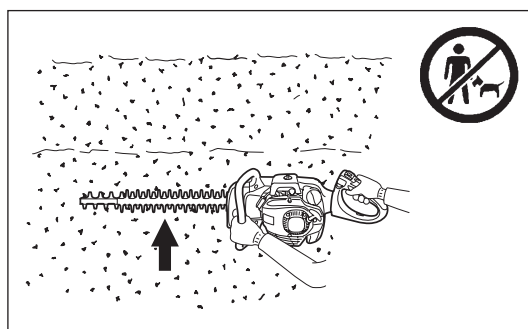
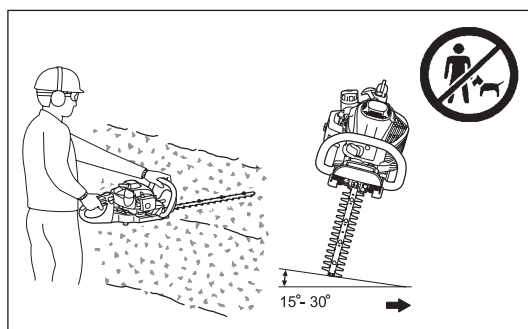
ΣΤΑΜΑΤΗΜΑ ΤΟΥ ΜΗΧΑΝΗΜΑΤΟΣ

1. Ελευθερώστε πλήρως το μοχλό του γκαζιού.
2. Σπρώξτε το διακόπτη I-O (1) στη θέση "O". Ο κινητήρας θα επιβραδύνει και θα σταματήσει.



ΛΕΙΤΟΥΡΓΙΑ ΤΟΥ ΜΗΧΑΝΗΜΑΤΟΣ

- Ποτέ να μην λειτουργείτε το ψαλίδι μπορντούρας πιάνοντάς το χαλαρά.
- Ποτέ να μην αγγίζετε τις λάμες κοπής κατά την εκκίνηση του κινητήρα και κατά τη λειτουργία.
- Να χειρίζεστε το ψαλίδι μπορντούρας με τέτοιο τρόπο ώστε να αποφεύγετε την εισπνοή των καυσαερίων. Ποτέ να μην λειτουργήσετε τον κινητήρα σε κλειστά δωμάτια (Υπάρχει κίνδυνος δηλητηρίασης από αέρια). Το μονοξείδιο του άνθρακα είναι ένα άοσμο αέριο.
- Όλος ο προστατευτικός εξοπλισμός όπως ο προφυλακτήρας που παρέχεται με το μηχάνημα πρέπει να χρησιμοποιείται κατά τη λειτουργία.
- Ποτέ να μην θέσετε σε λειτουργία τον κινητήρα εάν είναι ελαττωματικός ο σιγαστήρας.
- Χρησιμοποιείτε το ψαλίδι μπορντούρας μόνο σε συνθήκες καλού φωτισμού και ορατότητας.
- Κατά την διάρκεια της εποχής του χειμώνα δώστε προσοχή στις περιοχές που είναι υγρές και γλιστρούν, και υπάρχει πάγος και χιόνι. (Κίνδυνος γλιστρήματος.) Πάντοτε να έχετε ένα ασφαλές πάτημα.
- Ποτέ να μην λειτουργείτε το ψαλίδι μπορντούρας όταν είστε ανεβασμένοι πάνω σε σκάλα. Διατηρήστε και τα δυο πόδια σας στο έδαφος.
- Ποτέ να μην σκαρφαλώνετε σε δέντρα για να εκτελέσετε εργασίες κοπής με το ψαλίδι μπορντούρας.
- Ποτέ να μην εργάζεστε πάνω σε ασταθείς επιφάνειες.
- Αφαιρέστε την άμμο, τις πέτρες, τα καρφιά κτλ που βρίσκονται μέσα στο εύρος της περιοχής εργασίας. Τα ξένα αντικείμενα μπορεί να προκαλέσουν ζημιά στις λάμες κοπής.
- Πριν από την εργασία κοπής, κόψτε 8 mm ή πιο χοντρά κλαδιά με τις λάμες κλαδέματος.
- Πριν το ξεκίνημα της κοπής, οι λάμες κοπής θα πρέπει να έχουν αποκτήσει την πλήρη ταχύτητα λειτουργίας.
- Πάντοτε να κρατάτε το ψαλίδι μπορντούρας γερά με τα δυο χέρια στα χερούλια.
- Πιάσετε καλά με τους αντίχειρες και τα δάχτυλα γύρω από τα χερούλια.
- Όταν ελευθερώσετε το γκάζι, χρειάζεται να περάσουν ορισμένες στιγμές πριν σταματήσουν οι λάμες κοπής.
- Μην λειτουργείτε το ψαλίδι μπορντούρας με υψηλή ταχύτητα ρελαντί. Δεν μπορείτε να ρυθμίσετε την ταχύτητα κοπής με το χειρισμό του γκαζιού εάν η ταχύτητα του ρελαντί είναι πολύ υψηλή.
- Κατά την λειτουργία κοπής, κρατήστε το ψαλίδι μπορντούρας έτσι ώστε οι λάμες να σχηματίζουν γωνία 15-30° μοίρες με τη γραμμή κοπής.
- Δώστε ιδιαίτερη προσοχή κατά την κοπή άκρων κοντά ή πάνω σε συρμάτινους φράκτες.
- Μην αγγίζετε σκληρά αντικείμενα όπως συρμάτινους φράκτες, πέτρες ή έδαφος με τις λάμες κοπής. Μπορεί να προκληθεί το ράγισμα, η αποκόλληση κομματιών ή το σπάσιμο των λεπίδων.
- Εάν η λάμες κοπής χτυπήσουν πέτρες ή άλλα σκληρά αντικείμενα, αμέσως κλείστε τον κινητήρα και επιθεωρήστε τις λάμες κοπής για ύπαρξη ζημιάς. Αντικαταστήστε τις κατεστραμμένες λάμες πριν την επανέναρξη της εργασίας.
- Περιοδικά κάνετε ένα διάλλειμα. Η Makita συνιστά να κάνετε ένα διάλλειμα 10- έως 20-λεπτών κάθε 50 λεπτά χρήσης.
- Σβήστε τον κινητήρα αμέσως στην περίπτωση που συμβούν οποιαδήποτε μηχανικά προβλήματα.
- Λειτουργείτε το ψαλίδι μπορντούρας με όσο το δυνατόν λιγότερο θόρυβο και μικρότερη πρόκληση ρύπανσης. Ιδιαίτερα ελέγξτε τη σωστή ρύθμιση του καρμπυρατέρ και την αναλογία καυσίμου/λαδιού.
- Ποτέ μην επιχειρήσετε να μετακινήσετε το μπλοκαρισμένο υλικό κοπής όταν κινούνται οι λάμες. Τοποθετήστε κάτω τη συσκευή, σβήστε την, και αφαιρέστε τα απαραίτητα αποκόμματα.



ΡΥΘΜΙΣΗ ΤΗΣ ΓΩΝΙΑΣ ΤΟΥ ΠΙΣΩ ΧΕΡΟΥΛΙΟΥ

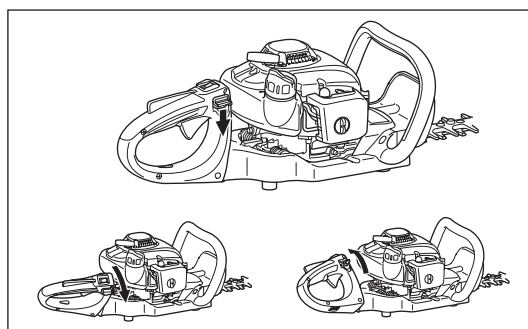
Το πίσω χερούλι μπορεί να περιστραφεί κατά 90° προς την αριστερή ή την δεξιά πλευρά και να ρυθμιστεί ανά 45° την κάθε φορά.

Για να αλλάξετε τη γωνία:

1. Πατήστε το μοχλό απελευθέρωσης για να ακυρώσετε το κλειδώμα.
2. Περιστρέψτε το χερούλι κατά μια γωνία των 0°, 45° ή 90°.
3. Φροντίστε ώστε ο μοχλός απελευθέρωσης να επιστρέψει στην αρχική του θέση και να ασφαλίσει το κλειδώμα.

Μην τραβήξετε το μοχλό του γκαζιού όταν είναι ανενεργό το κλειδώμα.

Μην ακυρώσετε το κλειδώμα κατά τη λειτουργία.



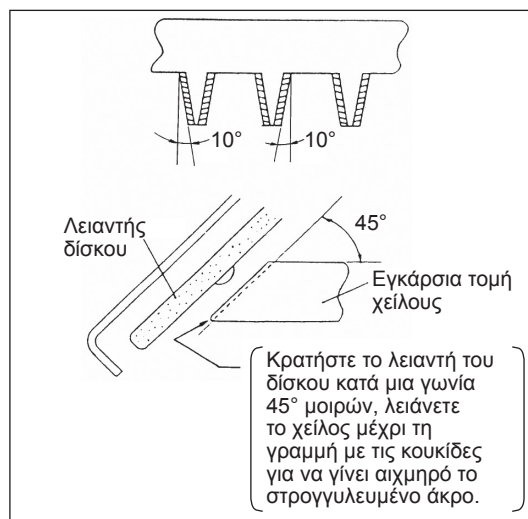
ΟΔΗΓΙΕΣ ΣΥΝΤΗΡΗΣΗΣ

- Σβήστε τον κινητήρα και αφαιρέστε τον σύνδεσμο του μπουζί κατά τον καθαρισμό/αντικατάσταση/ακόνισμα των λαμών κοπής ή την εκτέλεση οποιασδήποτε συντήρησης.
- Ποτέ να μην ισιώνετε ή να συγκολλάτε μια κατεστραμμένη λάμα κοπής.
- Να επιθεωρείτε τακτικά τις λάμες κοπής για ύπαρξη ζημιάς έχοντας σβηστό τον κινητήρα.
- Να κρατάτε τις λάμες κοπής κοφτερές.
- Τακτικά να καθαρίζετε το ψαλίδι μπορντούρας και ελέγξτε ότι όλες οι βίδες και τα παξιμάδια είναι καλά σφιγμένα.
- Ποτέ μην εκτελείτε τη συντήρηση του ψαλιδιού μπορντούρας κοντά σε γυμνές φλόγες για να αποφύγετε τις πυρκαγιές.
- Πάντοτε να φοράτε δερμάτινα γάντια κατά τον χειρισμό ή το ακόνισμα των λαμών, επειδή είναι κοφτερές.

Ακόνισμα λαμών

Εάν τα άκρα στρογγυλέψουν και δεν μπορούν να κόψουν καλά, λειάνετε μόνο τα σκιασμένα τμήματα που δείχνονται στο διάγραμμα. Μην λειάνετε τις επιφάνειες επαφής (ολισθαίνουσες επιφάνειες) των πάνω και κάτω άκρων.

- Πριν από τη λείανση, φροντίστε να στερεώσετε καλά την λάμα και να σβήσετε τον κινητήρα και να αφαιρέσετε το κάλυμμα του μπουζί.
- Φορέστε γάντια, προστατευτικά γυαλιά κτλ.
- Μην αφαιρείτε υπερβολική ποσότητα υλικού. Μειώνεται η σκληρή στοιβάδα και οι λάμες στομώνουν πολύ γρήγορα με τη χρήση.



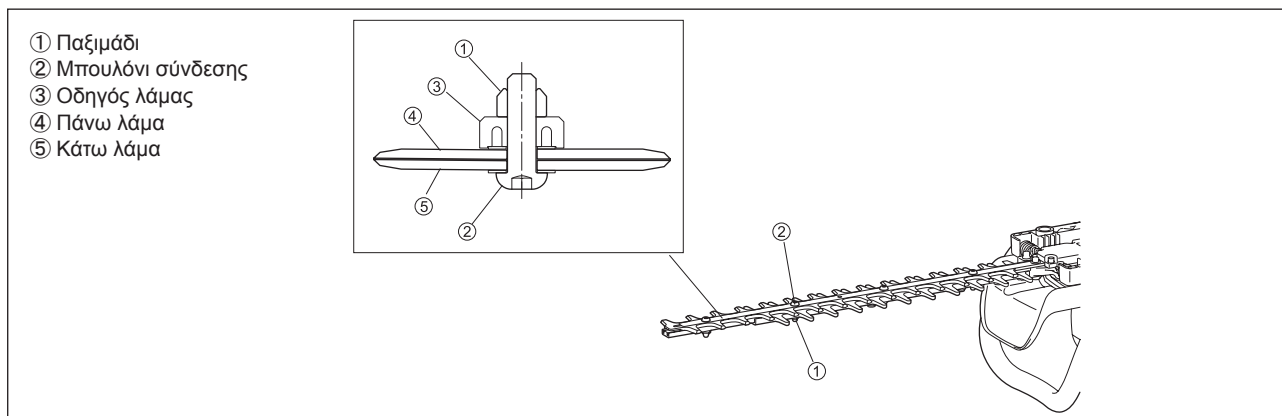
Ρύθμιση διάκενου στοιβάδας

Οι πάνω/κάτω λάμες φθειρόνται. Αν δεν μπορείτε να κάνετε ένα καλό κόψιμο παρότι οι λάμες είναι καλά ακονισμένες, ρυθμίστε το διάκενο όπως περιγράφεται παρακάτω.

1. Αφαιρέστε την στομωμένη προέκταση ξεσφίγγοντας τις βίδες.
2. Ξεσφίξτε το παξιμάδι (1) με ένα σωληνωτό ή γαλλικό κλειδί.
3. Σφίξτε το μπουλόνι σύνδεσης (2) με ένα εξάγωνο κλειδί ελαφρά μέχρι να σταματήσει και βιδώστε το πίσω κατά το ένα τέταρτο της περιστροφής.
4. Περιστρέψτε το παξιμάδι (1), κρατώντας το μπουλόνι σύνδεσης (2),
5. Επαλείψτε με ένα λεπτόρρευστο λάδι την επιφάνεια τριβής των λαμών.
6. Ξεκινήστε τον κινητήρα, πατάτε και αφήνετε το γκάζι για ένα λεπτό.
7. Μετρήστε το χρόνο που χρειάζεται για να σταματήσουν οι λάμες μετά την ελευθέρωση του γκαζιού. Εάν είναι δυο δευτερόλεπτα ή περισσότερο, σταματήστε τον κινητήρα και επαναλάβετε τα βήματα 2 έως 7.
8. Σταματήστε τον κινητήρα και αγγίξτε την επιφάνεια των λαμών. Εάν δεν είναι πολύ ζεστές ώστε να μπορείτε να τις αγγίξετε, τότε έχετε κάνει τη σωστή ρύθμιση. Αν είναι πάρα πολύ ζεστές για να τις αγγίξετε, περιστρέψτε λίγο το μπουλόνι σύνδεσης (2) προς τα πίσω και επαναλάβετε τα βήματα 6 έως 8.
9. Συνδέστε τη στομωμένη προέκταση σφίγγοντας τις βίδες.

ΣΗΜΕΙΩΣΗ: Πριν κάνετε τη ρύθμιση, σταματήστε τον κινητήρα και περιμένετε να σταματήσουν οι λάμες.

Οι λάμες διαθέτουν μια βίδα με σχισμή (2). Στην περίπτωση που βρείτε σκόνη στο άκρο κάποιας από τις σχισμές, καθαρίστε το.



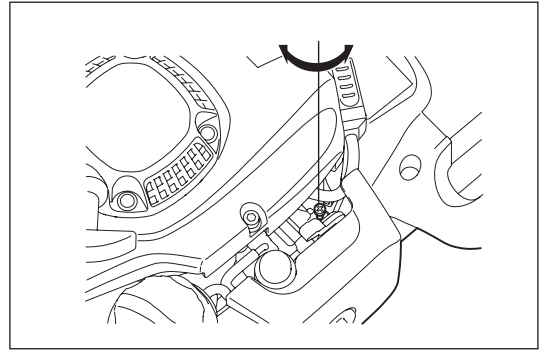
Έλεγχος και ρύθμιση της ταχύτητας του ρελαντί

Οι λάμες κοπής δεν πρέπει να κινούνται όταν το κινητήρας βρίσκεται στο ρελαντί.

- Η ταχύτητα του ρελαντί θα πρέπει να ρυθμιστεί στις 3.000 min⁻¹ (σαλ).
- Εάν είναι απαραίτητο, ρυθμίστε τη βίδα του ρελαντί (οι λάμες κοπής δεν πρέπει να περιστρέφονται όταν ο κινητήρας βρίσκεται στο ρελαντί).
 - Οι λάμες κοπής κινούνται κατά τη διάρκεια του ρελαντί - περιστρέψτε τη βίδα του ρελαντί αριστερόστροφα για να ελαττώσετε την ταχύτητα του ρελαντί.
 - Ο κινητήρας σταματά κατά τη διάρκεια του ρελαντί - περιστρέψτε τη βίδα του ρελαντί δεξιόστροφα για να αυξήσετε την ταχύτητα του ρελαντί.

Εάν στο ρελαντί οι λάμες κοπής συνεχίζουν να λειτουργούν μετά τη ρύθμιση, συμβουλευτείτε τον πλησιέστερο εξουσιοδοτημένο αντιπρόσωπο του σέρβις.

- Ο συμπλέκτης θα πρέπει να εμπλακεί στις 3.750 min⁻¹ (σαλ) ή σε υψηλότερη περιστροφή.
- Ελέγξτε τη λειτουργικότητα του διακόπτη I-O, του μοχλού απεμπλοκής και του μοχλού του γκαζιού.



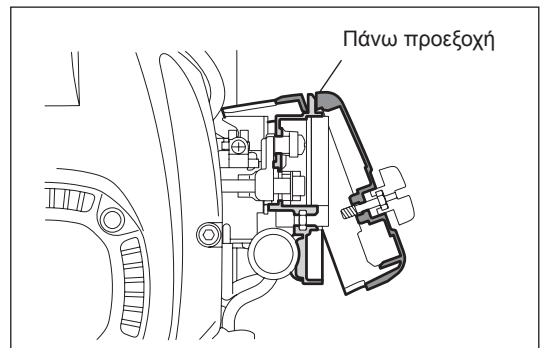
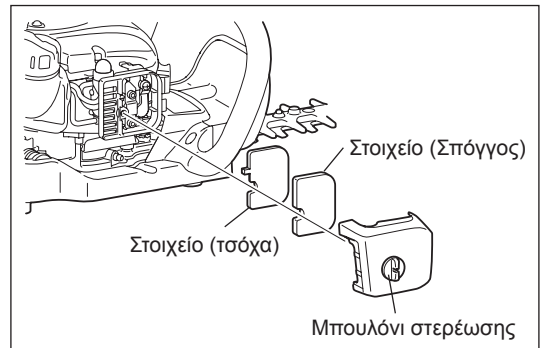
Καθαρισμός του στοιχείου καθαρισμού αέρα



ΚΙΝΔΥΝΟΣ: Οι εύφλεκτες ουσίες απαγορεύονται αυστηρά

Ελέγχετε και καθαρίζετε το στοιχείο καθαρισμού αέρα καθημερινά ή κάθε 10 ώρες λειτουργίας.

- Στρέψτε το μοχλό του τσοκ στην πλήρως κλειστή πλευρά και κρατήστε το καρμπυρατέρ καθαρό από βρωμιά ή σκόνη.
- Ξεσφίξτε το μπουλόνι στερέωσης.
- Τραβήξτε την πίσω πλευρά του καλύμματος του στοιχείου καθαρισμού του αέρα και σπρώξτε το προς τα εμπρός για να αποκολληθεί.
- Εάν έχει κολλήσει στο στοιχείο (σπόγγος) λάδι, πιέστε το καλά.
- Για μεγάλη ρύπανση:
 - 1) Αφαιρέστε το στοιχείο (σπόγγος), βυθίστε το σε ζεστό νερό ή σε νερό με διαλυμένο ουδέτερο απορρυπαντικό, και στεγνώστε το εντελώς.
 - 2) Καθαρίστε το στοιχείο (τσόχα) με βενζίνη, και στεγνώστε το εντελώς.
- Πριν συνδέσετε τα στοιχεία, φροντίστε να τα στεγνώσετε εντελώς. Το ανεπαρκές στέγνωμα των στοιχείων μπορεί να προκαλέσει τη δυσκολία εκκίνησης.
- Σκουπίστε με ένα παλιό ύφασμα, το λάδι που έχει κολλήσει πάνω στο στοιχείο καθαρισμού αέρα.
- Αμέσως μετά την ολοκλήρωση του καθαρίσματος, συνδέστε το κάλυμμα του στοιχείου καθαρισμού και σφίξτε το με τα μπουλόνια στερέωσης. (Κατά την επαναστερέωση, τοποθετήστε πρώτα την πάνω προεξοχή.)



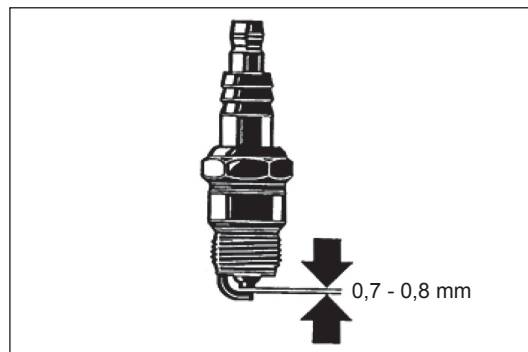
Σημεία προσοχής για το χειρισμό των στοιχείων καθαρισμού αέρα.

- Καθαρίστε τα στοιχεία αρκετές φορές την ημέρα, εάν κολλάει πάνω τους υπερβολική σκόνη.
- Εάν συνεχιστεί η λειτουργία με τα στοιχεία να παραμένουν βρώμικα από λάδι, το λάδι από το στοιχείο καθαρισμού αέρα μπορεί να πέσει έξω προκαλώντας ρύπανση λαδιού.

Έλεγχος του μπουζί

Ελέγχετε και καθαρίζετε το μπουζί καθημερινά ή κάθε 8 ώρες λειτουργίας.

- Χρησιμοποιήστε μόνο το παρεχόμενο κλειδί γενικής χρήσης για την αφαίρεση ή την τοποθέτηση του μπουζί.
- Το κενό μεταξύ των δυο ηλεκτροδίων του μπουζί πρέπει να είναι από 0,7 έως 0,8 mm. Εάν το κενό είναι πολύ πιο πλατύ ή πιο στενό, διορθώστε το. Εάν το μπουζί είναι βουλωμένο με άνθρακα ή βρωμιά, καθαρίστε το καλά ή αντικαταστήστε το. Χρησιμοποιήστε ένα όμοιο ανταλλακτικό.



Παροχή γράσου και λιπαντικού

- Τροφοδοτήστε γράσο από το στόμιο εισαγωγής γράσου κάθε 50 ώρες λειτουργίας. (Shell Alvania No. 3 ή ισοδύναμο)

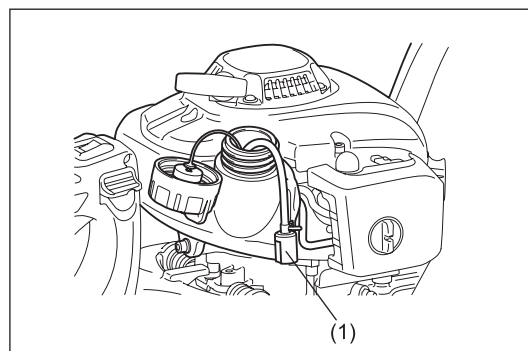
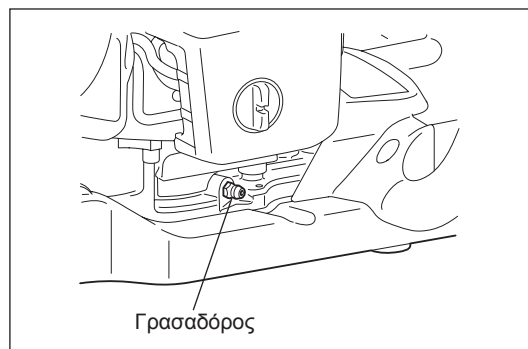
ΣΗΜΕΙΩΣΗ: Φροντίστε να τηρήσετε τον καθορισμένο χρόνο και την ποσότητα παροχής γράσου. Διαφορετικά η ανεπαρκής παροχή γράσου θα προκαλέσει πρόβλημα στο μηχανήμα.

Καθαρισμός του φίλτρου καυσίμου (κεφαλή αναρρόφησης στο ρεζερβουάρ καυσίμου)

ΠΡΟΕΙΔΟΠΟΙΗΣΗ: Οι εύφλεκτες ουσίες απαγορεύονται αυστηρά

Ελέγχετε και καθαρίζετε το φίλτρο καυσίμου μηνιαίως ή κάθε 50 ώρες λειτουργίας.

- Το τσόχινο φίλτρο (1) της κεφαλής αναρρόφησης χρησιμοποιείται για το φιλτράρισμα του καυσίμου που απαιτείται από το καρμπυρατέρ.
- Κάνετε ένα τακτικό οπτικό έλεγχο του τσόχινου φίλτρου.
- Για την επιθεώρηση του τσόχινου φίλτρου, ανοίξτε την τάπα του ρεζερβουάρ, χρησιμοποιήστε ένα συρματένιο άγκιστρο και τραβήξτε έξω την κεφαλή αναρρόφησης μέσα από το άνοιγμα του ρεζερβουάρ. Αντικαταστήστε το τσόχινο φίλτρο εάν έχει σκληράνει, έχει ρύπους ή βουλώσει.
- Αντικαταστήστε το τσόχινο φίλτρο τουλάχιστο κάθε τρεις μήνες για να διασφαλίσετε ότι είναι επαρκής η παροχή καυσίμου στο καρμπυρατέρ. Διαφορετικά μια ανεπαρκής παροχή καυσίμου μπορεί να προκαλέσει την αστοχία εκκίνησης του κινητήρα και τον περιορισμό της μέγιστης ταχύτητας.



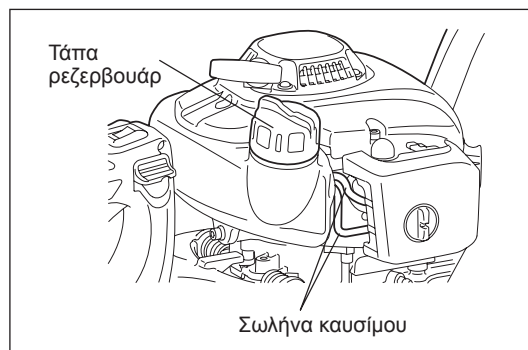
Αντικατάσταση του σωλήνα καυσίμου

ΠΡΟΣΟΧΗ: Οι εύφλεκτες ουσίες απαγορεύονται αυστηρά

Ελέγχετε και καθαρίζετε το σωλήνα καυσίμου καθημερινά ή κάθε 10 ώρες λειτουργίας. Αντικαταστήστε το σωλήνα καυσίμου κάθε 200 ώρες λειτουργίας ή κάθε χρόνο ανεξαρτήτως της συχνότητας λειτουργίας. Διαφορετικά, η διαρροή καυσίμου μπορεί να οδηγήσει στην πυρκαγιά. Εάν ανιχνεύσετε την οποιαδήποτε διαρροή κατά την επιθεώρηση, αντικαταστήστε αμέσως το σωλήνα καυσίμου.

Αντικατάσταση της τάπας του ρεζερβουάρ

- Εάν υπάρχει κάποια ανωμαλία ή ζημιά στην τάπα του ρεζερβουάρ, αντικαταστήστε τη.
- Η τάπα του ρεζερβουάρ φθείρεται με το πέρασμα του χρόνου. Αντικαταστήστε την κάθε δυο ή τρία χρόνια.



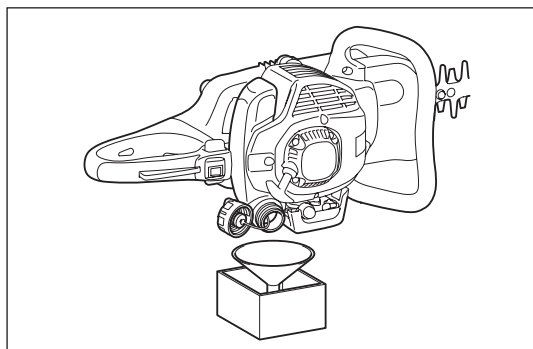
Για την οποιαδήποτε συντήρηση ή ρύθμιση που δεν περιγράφεται σε αυτό το εγχειρίδιο, επικοινωνήστε με το τοπικό εξουσιοδοτημένο κέντρο εξυπηρέτησης της Makita.

Καθημερινός έλεγχος και συντήρηση

Για την διασφάλιση της μεγάλης διάρκειας ζωής και της αποφυγής της ζημιάς στη συσκευή, εκτελείτε κατά τακτά διαστήματα τις παρακάτω εργασίες συντήρησης.

- Πριν τη χρήση:
 - Ελέγξτε το μηχανήμα για ξεσφιγμένες βίδες ή εξαρτήματα που λείπουν. Δώστε ιδιαίτερη προσοχή στο σφίξιμο των βιδών των λαμών κοπής.
 - Ελέγχετε για την ύπαρξη βουλώματος στον αεραγωγό ψύξης και στα πτερύγια του κυλίνδρου. Καθαρίστε τα εάν είναι απαραίτητο.
 - Καθαρίστε και ελέγξτε το ρεζερβουάρ καυσίμου για ύπαρξη διαρροής καυσίμου ή για ξένο αντικείμενο στο ρεζερβουάρ.
- Μετά τη χρήση:
 - Καθαρίστε εξωτερικά το ψαλίδι μπροντούρας και επιθεωρήστε το για ύπαρξη ζημιάς.
 - Καθαρίστε το στοιχείο καθαρισμού αέρα. Κατά την εργασία υπό συνθήκες με πολύ σκόνη, καθαρίστε το στοιχείο καθαρισμού αέρα αρκετές φορές την μέρα.
 - Ελέγξτε τις λάμες για ύπαρξη ζημιάς και βεβαιωθείτε ότι είναι καλά στερεωμένες.

ΑΠΟΘΗΚΕΥΣΗ



- Όταν το μηχάνημα πρόκειται να αποθηκευτεί για μεγάλο χρονικό διάστημα, αποστραγγίστε όλο το καύσιμο από το ρεζερβουάρ καυσίμου και το καρμπυρατέρ, ως εξής: Βγάλτε όλο το καύσιμο από το ρεζερβουάρ καυσίμου.
- Αφαιρέστε το μπουζί και προσθέστε μερικές σταγόνες λαδιού μέσα στην τρύπα του μπουζιού. Στη συνέχεια, τραβήξτε με προσοχή τον εκκινητήρα για να διασφαλιστεί ότι ένα στρώμα λαδιού θα καλύψει το εσωτερικό του κινητήρα και σφίξτε το μπουζί.
- Καθαρίστε τη βρωμιά ή τη σκόνη από τη λάμα κοπής και το εξωτερικό του κινητήρα, σκουπίστε το με ένα βουτηγμένο σε λάδι ύφασμα και τοποθετήστε το σε ένα χώρο όσο το δυνατόν ξηρότερο.

ΠΡΟΓΡΑΜΜΑ ΣΥΝΤΗΡΗΣΗΣ

Μετά τον ανεφοδιασμό	Μοχλός γκαζιού Διακόπτης I-O	Ελέγξτε τη λειτουργία Ελέγξτε τη λειτουργία
Πριν από κάθε χρήση	Συγκρότημα κινητήρα, βίδες και παξιμάδια Φίλτρο αέρα Ψυκτικός αεραγωγός Εργαλείο κοπής Ταχύτητα ρελαντί Ρεζερβουάρ καυσίμου	Οπτική επιθεώρηση για ζημιά και σφίξιμο Ελέγξτε την γενική κατάσταση και ασφάλεια Καθαρίστε Καθαρίστε Έλεγχος για ζημιά και αιχμηρότητα Επιθεώρηση (το εργαλείο κοπής δεν πρέπει να κινείται) Ελέγξτε και καθαρίστε
Κάθε 50 ώρες	Κιβώτιο ταχυτήτων	Παροχή γράσου
Εβδομαδιαία	Μπουζί	Ελέγξτε και αντικαταστήστε αν χρειάζεται
Ετησίως	Σωλήνας καυσίμου	Αντικαταστήστε
Εξαμηνιαίως	Τάπα ρεζερβουάρ	Αντικαταστήστε
Για μακρόχρονη αποθήκευση	Ρεζερβουάρ καυσίμου Καρμπυρατέρ Κεφαλή αναρρόφησης	Αδειάστε και καθαρίστε Λειτουργήστε έως ότου τελειώσουν τα καύσιμα του κινητήρα Αντικαταστήστε

ΕΝΤΟΠΙΣΜΟΣ ΣΦΑΛΜΑΤΟΣ

Σφάλμα	Σύστημα	Παρατήρηση	Αιτία
Ο κινητήρας δεν ξεκινά ή ξεκινά με δυσκολία	Σύστημα ανάφλεξης	Υπάρχει σπινθήρας ανάφλεξης	Σφάλμα στην παροχή καυσίμου ή στο σύστημα συμπίεσης, μηχανική βλάβη
		Δεν υπάρχει σπινθήρας ανάφλεξης	Διακόπτης I-O υπό χειρισμό, σφάλμα καλωδίωσης ή βραχυκύκλωμα, ελαττωματικό μπουζί ή σύνδεσμος, βλάβη στο σύστημα ανάφλεξης
	Παροχή καυσίμου	Γεμάτο ρεζερβουάρ	Λανθασμένη θέση του τσοκ, ελαττωματικό καρμπυρατέρ, βρώμικη κεφαλή εισρόφησης (φίλτρο γραμμής καυσίμου), λυγισμένη γραμμή παροχής καυσίμου ή μπλοκαρισμένη
	Συμπίεση	Εσωτερικό του κινητήρα	Ελαττωματική η κάτω στεγανοποιητική φλάντζα του κυλίνδρου, φθαρμένα στεγανοποιητικά του στροφαλοφόρου, ελαττωματικοί δακτύλιοι του κυλίνδρου ή του πιστονιού
		Εξωτερικό του κινητήρα	Ακατάλληλη στεγανοποίηση του μπουζιού
	Μηχανική βλάβη	Ο εκκινητήρας δεν λειτουργεί	Σπασμένο ελατήριο του εκκινητήρα, σπασμένα εξαρτήματα μέσα στον κινητήρα
Προβλήματα θερμής εκκίνησης		Γεμάτο το ρεζερβουάρ, ύπαρξη σπίθας ανάφλεξης	Ρυπαρό καρμπυρατέρ, καθαρίστε το
Ο κινητήρας ξεκινά αλλά σβήνει αμέσως	Παροχή καυσίμου	Ρεζερβουάρ γεμάτο	Λανθασμένη ρύθμιση του ρελαντί, βρώμικη κεφαλή εισρόφησης ή καρμπυρατέρ
			Ελαττωματικό άνοιγμα του ρεζερβουάρ, διακοπή στο σωλήνα παροχής καυσίμου, ελαττωματικό καλώδιο ή διακόπτης I-O
Ανεπαρκής απόδοση	Πολλά συστήματα μπορεί να είναι ταυτόχρονα ελαττωματικά	Ρελαντί κινητήρα	Βρώμικο φίλτρο αέρα, βρώμικο καρμπυρατέρ, σιγαστήρας βουλωμένος, αγωγός εξάτμισης βουλωμένος

Makita Corporation
Anjo, Aichi, Japan

www.makita.com

6019523500

ALA