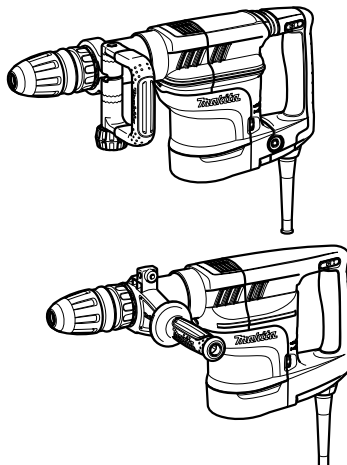
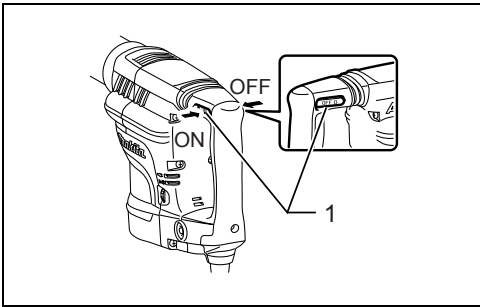




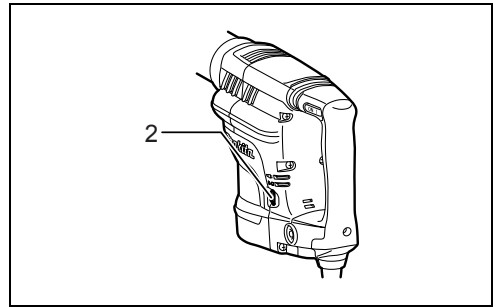
GB	Demolition Hammer	Instruction manual
F	Marteau Piqueur	Manuel d'instructions
D	Stemmhammer	Betriebsanleitung
I	Demolitore	Istruzioni per l'uso
NL	Sloophamer	Gebruiksaanwijzing
E	Martillo Demoledor	Manual de instrucciones
P	Martelo Demolidor	Manual de instruções
DK	Opbrydningshammer	Brugsanvisning
GR	Σφύρα κατεδάφισης	Οδηγίες χρήσης

HM1111C
HM1101C

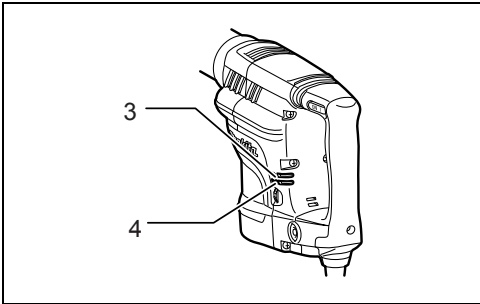




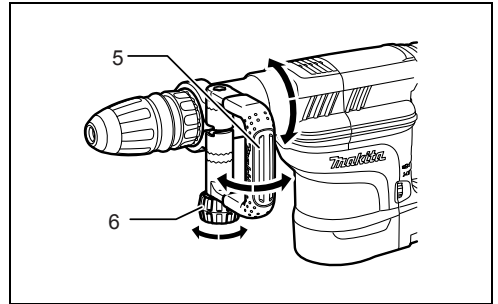
1



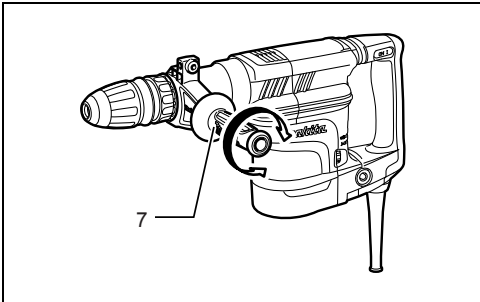
2



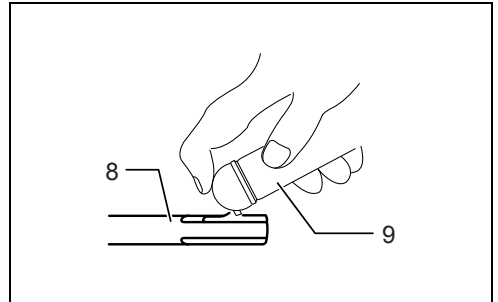
3



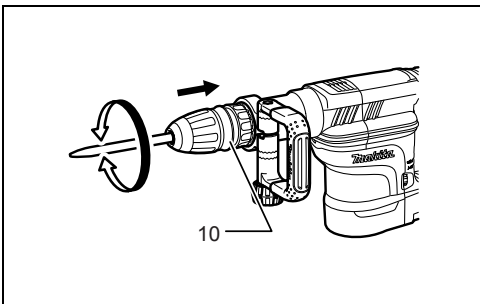
4



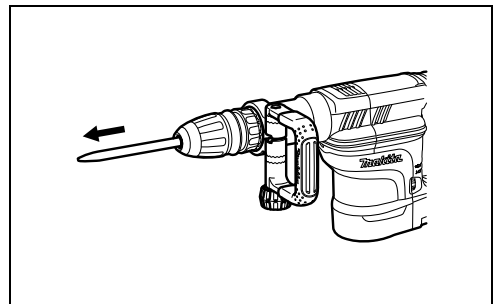
5



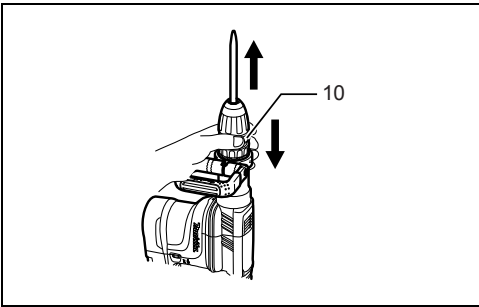
6



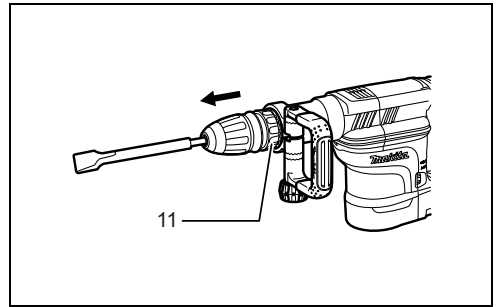
7



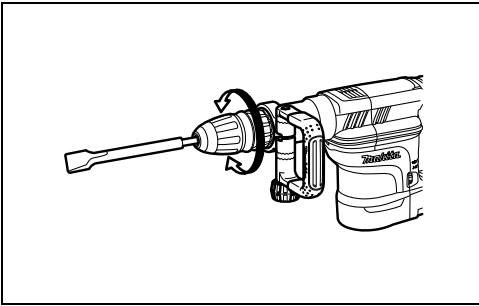
8



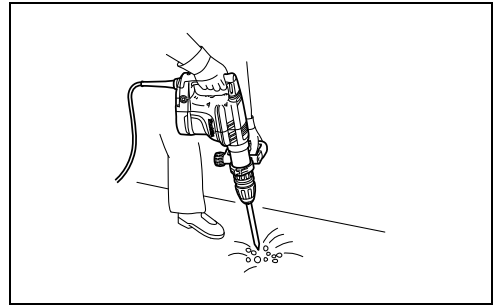
9



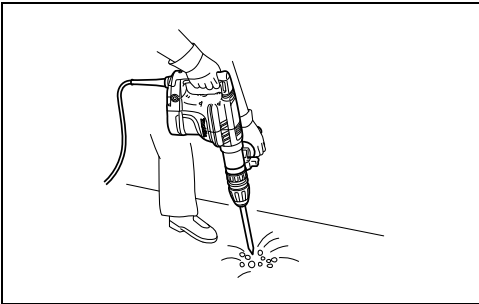
10



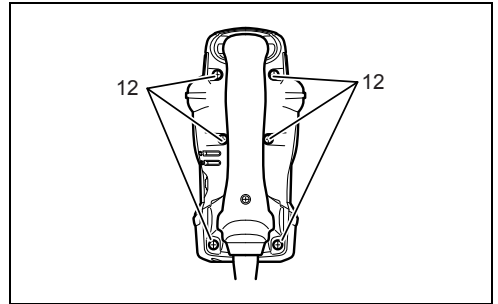
11



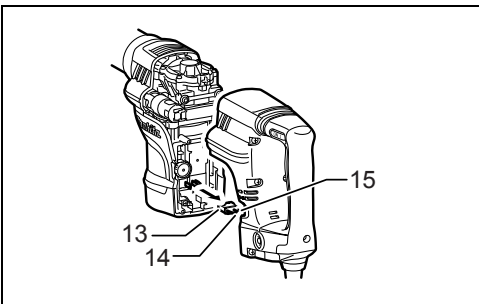
12



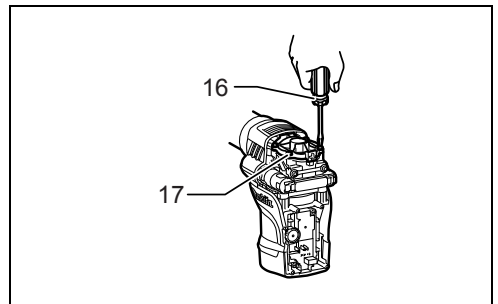
13



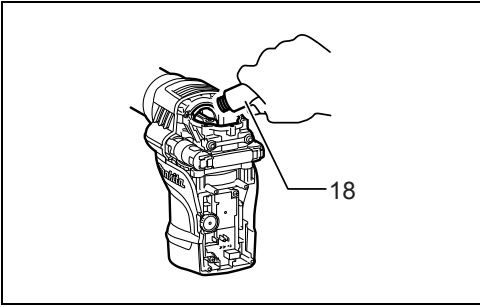
14



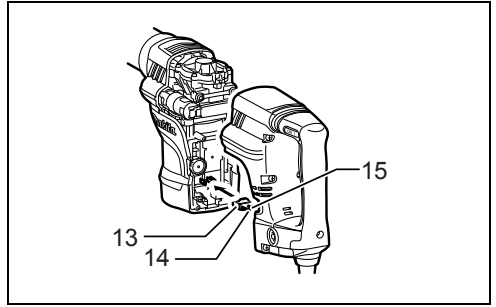
15



16



17



18

ENGLISH (Original instructions)

Explanation of general view

- | | | |
|------------------------------------|---------------------------------|-----------------|
| 1. Switch lever | 7. Side grip (auxiliary handle) | 13. Connector |
| 2. Adjusting dial | 8. Bit shank | 14. White |
| 3. Power-ON indicator lamp (green) | 9. Bit grease | 15. Black |
| 4. Service indicator lamp (red) | 10. Releasing cover | 16. Screwdriver |
| 5. D-shaped side handle | 11. Change ring | 17. Crank cap |
| 6. Clamp nut | 12. Screws | 18. Grease |

SPECIFICATIONS

Model	HM1111C	HM1101C
Blows per minute	1,100 - 2,650 min ⁻¹	
Overall length	528 mm	528 mm
Net weight with D-shaped side handle	8.0 kg	7.3 kg
Net weight with side grip	7.8 kg	7.2 kg
Safety class	II/II	

- Due to our continuing program of research and development, the specifications herein are subject to change without notice.
- Specifications may differ from country to country.
- Weight according to EPTA-Procedure 01/2003

Intended use

ENE045-1

The tool is intended for chiselling work in concrete, brick, stone and asphalt as well as for driving and compacting with appropriate accessories.

Power supply

ENF002-1

The tool should be connected only to a power supply of the same voltage as indicated on the nameplate, and can only be operated on single-phase AC supply. They are double-insulated in accordance with European Standard and can, therefore, also be used from sockets without earth wire.

General Power Tool Safety Warnings

GEA010-1

⚠ WARNING Read all safety warnings and all instructions. Failure to follow the warnings and instructions may result in electric shock, fire and/or serious injury.

Save all warnings and instructions for future reference.

HAMMER SAFETY WARNINGS

GEB004-6

1. **Wear ear protectors.** Exposure to noise can cause hearing loss.
2. **Use auxiliary handle(s), if supplied with the tool.** Loss of control can cause personal injury.
3. **Hold power tool by insulated gripping surfaces, when performing an operation where the cutting accessory may contact hidden wiring or its own cord.** Cutting accessory contacting a "live" wire may make exposed metal parts of the power tool "live" and could give the operator an electric shock.
4. **Wear a hard hat (safety helmet), safety glasses and/or face shield. Ordinary eye or sun glasses**

are NOT safety glasses. It is also highly recommended that you wear a dust mask and thickly padded gloves.

5. **Be sure the bit is secured in place before operation.**
6. **Under normal operation, the tool is designed to produce vibration. The screws can come loose easily, causing a breakdown or accident. Check tightness of screws carefully before operation.**
7. **In cold weather or when the tool has not been used for a long time, let the tool warm up for a while by operating it under no load. This will loosen up the lubrication. Without proper warm-up, hammering operation is difficult.**
8. **Always be sure you have a firm footing. Be sure no one is below when using the tool in high locations.**
9. **Hold the tool firmly with both hands.**
10. **Keep hands away from moving parts.**
11. **Do not leave the tool running. Operate the tool only when hand-held.**
12. **Do not point the tool at any one in the area when operating. The bit could fly out and injure someone seriously.**
13. **Do not touch the bit or parts close to the bit immediately after operation; they may be extremely hot and could burn your skin.**
14. **Do not operate the tool at no-load unnecessarily.**
15. **Some material contains chemicals which may be toxic. Take caution to prevent dust inhalation and skin contact. Follow material supplier safety data.**

SAVE THESE INSTRUCTIONS.

⚠ WARNING:

DO NOT let comfort or familiarity with product (gained from repeated use) replace strict adherence to safety rules for the subject product.

MISUSE or failure to follow the safety rules stated in this instruction manual may cause serious personal injury.

FUNCTIONAL DESCRIPTION

CAUTION:

- Always be sure that the tool is switched off and unplugged before adjusting or checking function on the tool.

Switch action (Fig. 1)

CAUTION:

- Before plugging in the tool, always check to see that the tool is switched off.
- Switch can be locked in "ON" position for ease of operator comfort during extended use. Apply caution when locking tool in "ON" position and maintain firm grasp on tool.

To start the tool, push the switch lever "ON (I)" on the left side of the tool. To stop the tool, push the switch lever "OFF (O)" on the right side of the tool.

Speed change (Fig. 2)

The blows per minute can be adjusted just by turning the adjusting dial. This can be done even while the tool is running. The dial is marked 1 (lowest speed) to 5 (full speed).

Refer to the table below for the relationship between the number settings on the adjusting dial and the blows per minute.

Number on adjusting dial	Blows per minute
5	2,650
4	2,400
3	1,750
2	1,300
1	1,100

CAUTION:

- The speed adjusting dial can be turned only as far as 5 and back to 1. Do not force it past 5 or 1, or the speed adjusting function may no longer work.

For Model HM1111C only

NOTE:

- Blows at no load per minute becomes smaller than those on load in order to reduce vibration under no load, but this does not show trouble. Once operation starts with a bit against concrete, blows per minute increase and get to the numbers as shown in the table. When temperature is low and there is less fluidity in grease, the tool may not have this function even with the motor rotating.

Indicator lamp (Fig. 3)

The green power-ON indicator lamp lights up when the tool is plugged. If the indicator lamp does not light up, the mains cord or the controller may be malfunction. The indicator lamp is lit but the tool does not start even if the tool is switched on, the carbon brushes may be worn out,

or the controller, the motor or the ON/OFF switch may be malfunction.

The red service indicator lamp flickers up when the carbon brushes are nearly worn out to indicate that the tool needs servicing. After approx. 8 hours of use, the motor will automatically be shut off.

ASSEMBLY

CAUTION:

- Always be sure that the tool is switched off and unplugged before carrying out any work on the tool.

Side handle (auxiliary handle)

For tool with D-shaped side handle (Fig. 4)

The side handle can be swung 360° on the vertical and secured at any desired position. It also secures at eight different positions back and forth on the horizontal. Just loosen the clamp nut to swing the side handle to a desired position. Then tighten the clamp nut securely.

For tool with stick type side handle (Fig. 5)

The side grip swings around to either side, allowing easy handling of the tool in any position. Loosen the side grip by turning it counterclockwise, swing it to the desired position and then tighten it by turning clockwise.

Installing or removing the bit (Fig. 6)

Clean the bit shank and apply bit grease before installing the bit.

Insert the bit into the tool. Turn the bit and push it in until it engages. (Fig. 7)

If the bit cannot be pushed in, remove the bit. Pull the releasing cover down a couple of times. Then insert the bit again. Turn the bit and push it in until it engages.

(Fig. 8)

After installing, always make sure that the bit is securely held in place by trying to pull it out. (Fig. 9)

To remove the bit, pull the releasing cover down all the way and pull the bit out.

Bit angle (Fig. 10 & 11)

The bit can be secured at 12 different angles. To change the bit angle, slide the change ring forward, then turn the change ring to change the bit angle. At the desired angle, slide the change ring back to the original position. The bit will be secured in place.

NOTE:

- The change ring cannot turn when the bit is not installed on the tool.

OPERATION

Chipping/Scaling/Demolition (Fig. 12 & 13)

Always use the D-shaped side handle or side grip (auxiliary handle) and firmly hold the tool by both D-shaped side handle or side grip and switch handle during operations. Turn the tool on and apply slight pressure on the tool so that the tool will not bounce around, uncontrolled. Pressing very hard on the tool will not increase the efficiency.

MAINTENANCE

CAUTION:

- Always be sure that the tool is switched off and unplugged before attempting to perform inspection or maintenance.
- Never use gasoline, benzine, thinner, alcohol or the like. Discoloration, deformation or cracks may result.

Lubrication

CAUTION:

- This servicing should be performed by Makita Authorized Service Centers only.

This tool requires no hourly or daily lubrication because it has a grease-packed lubrication system. It should be lubricated every time the carbon brushes are replaced.

Send the complete tool to Makita Authorized Service Center for this lubrication service. (Fig. 14)

Run the tool for several minutes to warm it up. Switch off and unplug the tool.

Loosen the six screws and remove the handle. Note that the top screws are different from other screws. (Fig. 15)

Disconnect the connector by pulling them. (Fig. 16)

Loosen the five screws on crank cap and remove the crank cap. (Fig. 17)

Wipe out the old grease inside and replace with a fresh grease (30 g). Use only Makita genuine hammer grease (optional accessory). Filling with more than the specified amount of grease (approx. 30 g) can cause faulty hammering action or tool failure. Fill only with the specified amount of grease.

CAUTION:

- Be careful not to damage the connector or lead wires especially when wiping out the old grease.

To reassemble the tool, follow the disassembling procedure in reverse.

CAUTION:

- Do not tighten the crank cap excessively. It is made of resin and is subject to breakage.
- Be careful not to damage the connector or lead wires especially when installing the handle. (Fig. 18)

Connect the connector firmly and then reinstall the handle.

To maintain product SAFETY and RELIABILITY, repairs, carbon brush inspection and replacement, any other maintenance or adjustment should be performed by Makita Authorized Service Centers, always using Makita replacement parts.

ACCESSORIES

CAUTION:

- These accessories or attachments are recommended for use with your Makita tool specified in this manual. The use of any other accessories or attachments might present a risk of injury to persons. Only use accessory or attachment for its stated purpose.

If you need any assistance for more details regarding these accessories, ask your local Makita Service Center.

- Bull point (SDS-max)
- Cold chisel (SDS-max)
- Scaling chisel (SDS-max)
- Clay spade (SDS-max)

- Bit grease
- Safety goggles
- Hammer grease
- Plastic carrying case

Noise

ENG905-1

The typical A-weighted noise level determined according to EN60745:

Model HM1111C

Sound pressure level (L_{pA}): 88 dB (A)

Sound power level (L_{WA}): 99 dB (A)

Uncertainty (K): 3 dB (A)

Model HM1101C

Sound pressure level (L_{pA}): 90 dB (A)

Sound power level (L_{WA}): 101 dB (A)

Uncertainty (K): 3 dB (A)

Wear ear protection.

Vibration

ENG900-1

The vibration total value (tri-axial vector sum) determined according to EN60745:

Model HM1111C

Work mode: chiseling function with side handle

Vibration emission ($a_{n,ChEq}$): 7.5 m/s²

Uncertainty (K): 1.5 m/s²

Work mode: chiseling function with side grip

Vibration emission ($a_{n,ChEq}$): 8.0 m/s²

Uncertainty (K): 1.5 m/s²

Model HM1101C

Work mode: chiseling function with side handle

Vibration emission ($a_{n,ChEq}$): 13.5 m/s²

Uncertainty (K): 2.0 m/s²

Work mode: chiseling function with side grip

Vibration emission ($a_{n,ChEq}$): 13.5 m/s²

Uncertainty (K): 1.5 m/s²

ENG901-1

- The declared vibration emission value has been measured in accordance with the standard test method and may be used for comparing one tool with another.
- The declared vibration emission value may also be used in a preliminary assessment of exposure.

WARNING:

- The vibration emission during actual use of the power tool can differ from the declared emission value depending on the ways in which the tool is used.
- Be sure to identify safety measures to protect the operator that are based on an estimation of exposure in the actual conditions of use (taking account of all parts of the operating cycle such as the times when the tool is switched off and when it is running idle in addition to the trigger time).

For European countries only

ENH101-14

EC Declaration of Conformity

We Makita Corporation as the responsible manufacturer declare that the following Makita machine(s):

Designation of Machine:

Demolition Hammer

Model No./ Type: HM1111C, HM1101C

are of series production and

Conforms to the following European Directives:

2006/42/EC

And are manufactured in accordance with the following standards or standardised documents:

EN60745

The technical documentation is kept by our authorised representative in Europe who is:

Makita International Europe Ltd.,
Michigan Drive, Tongwell,
Milton Keynes, MK15 8JD, England

9.11.2009



Tomoyasu Kato
Director
Makita Corporation
3-11-8, Sumiyoshi-cho,
Anjo, Aichi, JAPAN

FRANÇAIS (Instructions d'origine)

Descriptif

- | | | |
|---|--|--------------------------|
| 1. Levier de l'interrupteur | 7. Poignée latérale (poignée auxiliaire) | 13. Connecteur |
| 2. Cadran de réglage | 8. Arbre du foret | 14. Blanc |
| 3. Lampe témoin de mise sous tension (vert) | 9. Graisse à foret | 15. Noir |
| 4. Lampe témoin de service (rouge) | 10. Gaine de desserrage | 16. Tournevis |
| 5. Poignée latérale en forme de D | 11. Bague de variation | 17. Bouchon de manivelle |
| 6. Écrou de serrage de collier | 12. Vis | 18. Graisse |

SPÉCIFICATIONS

Modèle	HM1111C	HM1101C
Frappes par minute	1 100 - 2 650 min ⁻¹	
Longueur totale	528 mm	528 mm
Poids net avec la poignée latérale en forme de D	8,0 kg	7,3 kg
Poids net avec la poignée latérale	7,8 kg	7,2 kg
Niveau de sécurité	II/II	

- Étant donné l'évolution constante de notre programme de recherche et de développement, les spécifications contenues dans ce manuel sont sujettes à des modifications sans préavis.
- Les spécifications peuvent varier suivant les pays.
- Poids conforme à la procédure EPTA 01/2003

Utilisations

ENE045-1

L'outil est conçu pour les travaux de défoncement dans le béton, la brique, la pierre et l'asphalte, ainsi que pour le fonçage et le tassement à l'aide des accessoires correspondants.

Alimentation

ENF002-1

L'outil ne doit être raccordé qu'à une alimentation de la même tension que celle qui figure sur la plaque signalétique, et il ne peut fonctionner que sur un courant secteur monophasé. Réalisé avec une double isolation, il est conforme à la réglementation européenne et peut de ce fait être alimenté sans mise à la terre.

Consignes de sécurité générales des outils électriques

GEA010-1

⚠ AVERTISSEMENT Veuillez lire toutes les consignes de sécurité et les instructions. Il y a un risque de choc électrique, d'incendie et/ou de blessure grave si les consignes et les instructions ne sont pas toutes respectées.

Conservez toutes les consignes et instructions pour référence ultérieure.

AVERTISSEMENTS DE SÉCURITÉ RELATIFS AU MARTEAU

GEB004-6

1. **Portez des protections d'oreilles.** L'exposition au bruit peut entraîner la surdité.
2. **Le cas échéant, utilisez la/les poignée(s) auxiliaire(s) de l'outil.** La perte de maîtrise comporte un risque de blessures.
3. **Tenez l'outil à l'aide des surfaces de prise isolées lorsque vous exécutez une opération susceptible de mettre en contact l'accessoire de coupe et les fils cachés ou le propre cordon de l'outil.** Il est possible que le contact avec un fil sous tension mette les parties métalliques exposées de l'outil sous tension, risquant ainsi de provoquer un choc électrique chez l'utilisateur.
4. **Portez un casque de protection (casque de sécurité), des lunettes de sécurité et/ou un écran facial. Les lunettes ordinaires et les lunettes de soleil ne sont PAS des lunettes de sécurité. Nous vous recommandons également de porter un masque anti-poussière et des gants très épais.**
5. **Assurez-vous que le foret est bien serré avant d'utiliser l'outil.**
6. **Même en conditions normales d'utilisation, l'outil produit des vibrations. Les vis peuvent ainsi se relâcher facilement, ce qui risque d'entraîner une rupture de pièce ou un accident. Avant l'utilisation, vérifiez avec soin que les vis sont bien serrées.**
7. **À basse température ou lorsque l'outil est resté inutilisé pendant une période prolongée, laissez-le réchauffer un instant en le faisant fonctionner à vide. Cela permettra au lubrifiant de réchauffer. Le martèlement sera difficile si l'outil n'est pas bien réchauffé.**
8. **Veillez à toujours avoir une bonne position d'équilibre. Assurez-vous que personne ne se trouve sous l'outil lorsque vous l'utilisez en position élevée.**
9. **Tenez l'outil fermement à deux mains.**
10. **Gardez les mains éloignées des pièces en mouvement.**
11. **N'abandonnez pas l'outil alors qu'il tourne. Ne faites fonctionner l'outil qu'une fois que vous l'avez bien en main.**
12. **Pendant l'utilisation de l'outil, ne le pointez vers personne dans la zone de travail. Vous risqueriez**

de blesser gravement quelqu'un en cas d'éjection du foret.

13. **Ne touchez ni le foret ni les pièces adjacentes immédiatement après l'utilisation de l'outil. Ils risquent d'être extrêmement chauds et de vous brûler gravement la peau.**
14. **Ne faites pas fonctionner inutilement l'outil à vide.**
15. **Certains matériaux contiennent des produits chimiques qui peuvent être toxiques. Veillez à éviter toute inhalation de poussière et tout contact avec la peau. Respectez les instructions de sécurité du fournisseur du matériel.**

CONSERVEZ CES INSTRUCTIONS.

⚠ AVERTISSEMENT :

NE vous laissez PAS tromper (au fil d'une utilisation répétée) par un sentiment d'aisance et de familiarité avec le produit, en négligeant le respect rigoureux des consignes de sécurité qui accompagnent l'outil. Une UTILISATION INCORRECTE de l'outil ou un non-respect des consignes de sécurité indiquées dans ce manuel d'instructions peuvent causer des blessures graves.

DESCRIPTION DU FONCTIONNEMENT

⚠ ATTENTION :

- Assurez-vous toujours que l'outil est éteint et débranché avant de le régler ou de vérifier son fonctionnement.

Interrupteur (Fig. 1)

⚠ ATTENTION :

- Avant de brancher l'appareil, vérifiez toujours qu'il est éteint.
- L'interrupteur peut être verrouillé en position de MARCHE pour le confort de l'opérateur pendant un usage prolongé. Soyez vigilant lorsque vous verrouillez l'outil en position de MARCHE et gardez-le bien en main.

Pour démarrer l'outil, basculez le levier de l'interrupteur sur « MARCHE » (I) sur le côté gauche de l'outil. Pour arrêter l'outil, basculez le levier de l'interrupteur sur « ARRÊT » (O) sur le côté droit de l'outil.

Changement de vitesse (Fig. 2)

Il est possible d'ajuster le nombre de frappes par minute en tournant simplement le cadran de réglage. Ce réglage est possible même lorsque l'outil est en fonctionnement. Le cadran comporte les marquages 1 (vitesse la plus lente) à 5 (pleine vitesse).

Référez-vous au tableau ci-dessous pour connaître la relation entre les paramètres des numéros sur le cadran de réglage et le nombre de frappes par minute.

Numéro sur le cadran de réglage	Frappes par minute
5	2 650
4	2 400
3	1 750
2	1 300
1	1 100

⚠ ATTENTION :

- Vous ne pouvez tourner le cadran de réglage de la vitesse que jusqu'aux positions 5 et 1. Ne le forcez pas au-delà des positions 5 ou 1, au risque de provoquer un dysfonctionnement du réglage de la vitesse.

Pour le modèle HM1111C uniquement

REMARQUE :

- Le nombre de frappes par minute à vide est moins important que le nombre de frappes en charge afin de réduire les vibrations à vide mais cela ne pose pas de problème. Lorsque vous démarrez l'outil avec un foret contre du béton, le nombre de frappes par minute augmente jusqu'à atteindre le chiffre indiqué dans le tableau. Lorsque la température est basse et que la graisse est moins fluide, l'outil peut ne pas disposer de cette fonction même si le moteur tourne.

Voyant (Fig. 3)

Le voyant vert de mise sous tension s'allume lorsque l'outil est branché. Si le voyant ne s'allume pas, il se peut que le cordon d'alimentation ou le contrôleur soit défectueux. Si le voyant est allumé tandis que l'outil ne démarre pas même si vous activez la gâchette, il se peut que les charbons soient usés ou que le contrôleur, le moteur ou l'interrupteur MARCHE/ARRÊT soit défectueux.

Le voyant rouge de service clignote quand les charbons sont presque totalement usés pour indiquer que l'outil a besoin d'une opération d'entretien. Au bout d'environ 8 heures d'utilisation, le moteur s'éteindra automatiquement.

ASSEMBLAGE

⚠ ATTENTION :

- Avant d'effectuer toute intervention sur l'outil, assurez-vous toujours qu'il est éteint et débranché.

Poignée latérale (poignée auxiliaire)

Pour les outils munis d'une poignée latérale en forme de D (Fig. 4)

Il est possible de faire pivoter la poignée latérale de 360° à la verticale et de la bloquer dans la position souhaitée. Elle se verrouille également à l'horizontale selon huit positions différentes en avant et en arrière. Il vous suffit de desserrer l'écrou de serrage de collier pour faire pivoter la poignée latérale dans la position souhaitée. Serrez ensuite fermement l'écrou de serrage de collier.

Pour les outils munis d'une poignée latérale à long manche (Fig. 5)

La poignée latérale peut pivoter dans un sens comme dans l'autre, permettant ainsi de manipuler l'outil avec

aisance dans n'importe quelle position. Desserrez la poignée latérale en la faisant tourner dans le sens inverse des aiguilles d'une montre, faites-la pivoter jusqu'à la position désirée puis resserrez-la en la tournant dans le sens des aiguilles d'une montre.

Installation et retrait du foret (Fig. 6)

Nettoyez l'arbre du foret et appliquez de la graisse à foret avant d'installer le foret.

Insérez le foret dans l'outil. Tournez le foret et enfoncez-le jusqu'à ce qu'il s'enclenche. (Fig. 7)

S'il n'est pas possible d'enfoncer le foret, retirez-le. Tirez plusieurs fois la gaine de desserrage vers le bas. Réinsérez ensuite le foret. Tournez le foret et enfoncez-le jusqu'à ce qu'il s'enclenche. (Fig. 8)

Après avoir installé le foret, tirez toujours dessus pour vous assurer qu'il demeure fermement en place. (Fig. 9)
Pour retirer le foret, tirez complètement la gaine de desserrage vers le bas puis tirez sur le foret.

Angle du foret (Fig. 10 et 11)

Vous pouvez fixer le foret selon 12 angles différents. Pour changer l'angle du foret, enfoncez l'anneau de rechange vers l'avant, puis tournez-le pour changer l'angle du foret. À l'angle souhaité, faites glisser l'anneau de rechange à sa position initiale. Le foret sera fermement fixé.

REMARQUE :

- L'anneau de rechange ne peut pas pivoter si le foret n'est pas installé sur l'outil.

FONCTIONNEMENT

Burinage/Écaillage/Démolition (Fig. 12 et 13)

Utilisez toujours la poignée latérale en forme de D ou la poignée latérale (poignée auxiliaire) et tenez fermement l'outil par l'une des deux poignées, tout en changeant de poignée au cours du travail. Mettez l'outil sous tension et appliquez dessus une légère pression de façon à en garder la maîtrise et éviter qu'il ne saute d'un côté et de l'autre. L'application d'une très forte pression sur l'outil n'augmentera pas l'efficacité de l'opération.

ENTRETIEN

⚠ ATTENTION :

- Assurez-vous toujours que l'outil est éteint et débranché avant d'effectuer tout travail d'inspection ou de maintenance.
- N'utilisez jamais d'essence, de benzine, de diluant, d'alcool ou de produit similaire. Ces produits risquent de provoquer des décolorations, des déformations ou des fissures.

Lubrification

⚠ ATTENTION :

- Seuls des centres de service agréés par Makita sont habilités à effectuer les réparations.
- Grâce à son système de lubrification à la graisse, il n'est pas nécessaire de graisser cet outil après quelques heures d'utilisation ou chaque jour. Il doit toutefois être graissé lors du remplacement des charbons. Pour le faire

graisser, envoyez l'outil complet à un centre de service après-vente Makita agréé. (Fig. 14)

Faites tourner l'outil pendant quelques minutes pour le réchauffer. Mettez l'outil hors tension et débranchez-le.

Desserrez les six vis et retirez le manche. Notez que les vis supérieures sont différentes des autres vis. (Fig. 15)

Tirez sur les vis pour débrancher le connecteur. (Fig. 16)

Desserrez les cinq vis sur le bouchon de manivelle et retirez ce dernier. (Fig. 17)

Essuyez la graisse usée à l'intérieur, puis remplacez-la par de la graisse fraîche (30 g). Utilisez uniquement la graisse à marteau Makita (accessoire en option). Si vous versez davantage de graisse que la quantité spécifiée (environ 30 g), le mouvement de martelage risque d'être faussé ou l'outil de ne pas bien fonctionner. Ne versez que la quantité de graisse spécifiée.

⚠ ATTENTION :

- Veillez à ne pas endommager le connecteur ou les fils de sortie, surtout lorsque vous essuyez la graisse usée.

Pour remonter l'outil, suivez la procédure de démontage en sens inverse.

⚠ ATTENTION :

- Ne serrez pas excessivement le bouchon de manivelle. Il est en résine et peut se casser facilement.
- Veillez à ne pas endommager le connecteur ou les fils de sortie, surtout lorsque vous installez la poignée. (Fig. 18)

Raccordez fermement le connecteur et réinstallez la poignée.

Pour assurer la SÉCURITÉ et la FIABILITÉ du produit, toute réparation, inspection et remplacement des charbons, ainsi que toute autre tâche de maintenance ou de réglage, doivent être effectués par un Centre de service agréé Makita, toujours avec des pièces de rechange Makita.

ACCESSOIRES

⚠ ATTENTION :

- Ces accessoires ou pièces complémentaires sont recommandés pour l'utilisation avec l'outil Makita spécifié dans ce manuel. L'utilisation de tout autre accessoire ou pièce complémentaire peut comporter un risque de blessure. Utilisez uniquement l'accessoire ou la pièce complémentaire dans le but spécifié.

Pour obtenir plus de détails sur ces accessoires, contactez votre Centre de service local Makita.

- Bout arrondi (SDS-max)
- Burin à bout plat (SDS-max)
- Burin d'écaillage (SDS-max)
- Marteau-bêche (SDS-max)
- Graisse à foret
- Lunettes de sécurité
- Graisse à marteau
- Étui en plastique

Bruit

ENG905-1

Les niveaux de bruit pondéré A typiques ont été mesurés selon la norme EN60745 :

Modèle HM1111C

Niveau de pression sonore (L_{pA}) : 88 dB (A)

Niveau de puissance sonore (L_{WA}) : 99 dB (A)

Incertitude (K) : 3 dB (A)

Modèle HM1101C

Niveau de pression sonore (L_{pA}) : 90 dB (A)

Niveau de puissance sonore (L_{WA}) : 101 dB (A)

Incertitude (K) : 3 dB (A)

Portez des protections auditives.

Vibrations

ENG900-1

La valeur totale de vibration (somme du vecteur triaxial) a été déterminée selon la norme EN60745 :

Modèle HM1111C

Mode de fonctionnement : fonction de ciselure avec la poignée latérale

Émission de vibrations ($a_{h,CHeq}$) : 7,5 m/s²

Incertitude (K) : 1,5 m/s²

Mode de fonctionnement : fonction de ciselure avec la poignée latérale

Émission de vibrations ($a_{h,CHeq}$) : 8,0 m/s²

Incertitude (K) : 1,5 m/s²

Modèle HM1101C

Mode de fonctionnement : fonction de ciselure avec la poignée latérale

Émission de vibrations ($a_{h,CHeq}$) : 13,5 m/s²

Incertitude (K) : 2,0 m/s²

Mode de fonctionnement : fonction de ciselure avec la poignée latérale

Émission de vibrations ($a_{h,CHeq}$) : 13,5 m/s²

Incertitude (K) : 1,5 m/s²

ENG901-1

- La valeur de l'émission des vibrations déclarée a été mesurée conformément à la méthode de test standard et peut être utilisée afin de comparer des outils entre eux.
- La valeur de l'émission des vibrations déclarée peut également être utilisée lors d'une évaluation préliminaire de l'exposition.

⚠ AVERTISSEMENT :

- Selon la manière dont l'outil est utilisé, il est possible que l'émission des vibrations pendant l'utilisation réelle de l'outil électrique diffère de la valeur de l'émission déclarée.
- Veuillez à identifier les mesures de sécurité destinées à protéger l'opérateur et établies à partir de l'estimation de l'exposition dans les conditions réelles d'utilisation (en prenant en compte toutes les étapes du cycle de fonctionnement, telles que les périodes de mise hors tension de l'outil, les périodes de fonctionnement au ralenti et les périodes de mise en route).

Pour les pays d'Europe uniquement

ENH101-14

Déclaration de conformité CE

Nous, Makita Corporation, en tant que fabricant responsable, déclarons que les machines Makita suivantes :

Nom de la machine :

Marteau Piqueur

N° de modèle/Type : HM1111C, HM1101C

sont fabriquées en série et

sont conformes aux directives européennes suivantes :

2006/42/CE

et sont produites conformément aux normes ou documents de normalisation suivants :

EN60745

La documentation technique est disponible auprès de notre représentant en Europe qui est :

Makita International Europe Ltd.,

Michigan Drive, Tongwell,

Milton Keynes, MK15 8JD, Angleterre

9.11.2009



Tomoyasu Kato

Directeur

Makita Corporation

3-11-8, Sumiyoshi-cho,

Anjo, Aichi, JAPAN

DEUTSCH (Originalanweisungen)

Erklärung der Gesamtdarstellung

- | | | |
|--|------------------------------|---------------------|
| 1. Schalthebel | 7. Seitengriff (Zusatzgriff) | 14. Weiß |
| 2. Stellrad | 8. Meißelschaft | 15. Schwarz |
| 3. Anzeigeleuchte für Stromversorgung EIN (grün) | 9. Meißelfett | 16. Schraubendreher |
| 4. Anzeigeleuchte „Service“ (rot) | 10. Meißelverriegelung | 17. Kurbelkapsel |
| 5. D-förmiger Seitengriff | 11. Wechserring | 18. Fett |
| 6. Befestigungsmutter | 12. Schrauben | |
| | 13. Steckverbinder | |

TECHNISCHE DATEN

Modell	HM1111C	HM1101C
Schläge pro Minute	1.100 - 2.650 min ⁻¹	
Gesamtlänge	528 mm	528 mm
Nettogewicht bei einem Werkzeug mit D-förmigem Seitengriff	8,0 kg	7,3 kg
Nettogewicht mit Seitengriff	7,8 kg	7,2 kg
Sicherheitsklasse	II/III	

- Aufgrund unserer beständigen Forschungen und Weiterentwicklungen sind Änderungen an den hier angegebenen Technischen Daten ohne Vorankündigung vorbehalten.
- Die Technischen Daten können in den einzelnen Ländern voneinander abweichen.
- Gewicht entsprechend EPTA-Verfahren 01/2003

Verwendungszweck ENE045-1

Das Werkzeug wurde für Meißelarbeiten in Beton, Ziegel, Stein und Asphalt sowie mit dem entsprechenden Zubehör für Eintreiben und Verdichten entwickelt.

Stromversorgung ENF002-1

Das Werkzeug darf nur an Einphasen-Wechselstrom mit der auf dem Typenschild angegebenen Spannung angeschlossen werden. Das Werkzeug ist nach europäischem Standard doppelt isoliert und darf daher auch an Steckdosen ohne Schutzleiter betrieben werden.

Allgemeine Sicherheitshinweise für Elektrowerkzeuge GEA010-1

⚠️ WARNUNG Lesen Sie alle Sicherheitshinweise und Anweisungen sorgfältig durch. Wenn die Hinweise und Anweisungen nicht beachtet werden, besteht die Gefahr eines Stromschlags, Brands und/oder das Risiko von ernsthaften Verletzungen.

Bewahren Sie alle Hinweise und Anweisungen zur späteren Referenz gut auf.

SICHERHEITSHINWEISE FÜR DAS ARBEITEN MIT HAMMERWERKZEUGEN GEB004-6

1. **Tragen Sie Gehörschutz.** Beständige Einwirkung von Lärm kann zu Hörverlust führen.
2. **Verwenden Sie die ggf. mit dem Werkzeug gelieferten Zusatzgriffe.** Ein Verlust der Kontrolle über das Werkzeug kann zu Verletzungen führen.
3. **Halten Sie das Elektrowerkzeug an den isolierten Griffflächen, wenn Sie unter Bedingungen**

arbeiten, bei denen das Schneidwerkzeug verborgene Kabel oder das eigene Kabel berühren kann. Bei Kontakt des Werkzeugs mit einem stromführenden Kabel wird der Strom an die Metallteile des Elektrowerkzeugs und dadurch an den Bediener weitergeleitet, und der Bediener erleidet einen Stromschlag.

4. **Tragen Sie einen Arbeitsschutzhelm, eine Sicherheitsschutzbrille und/oder Gesichtsschutz. Gewöhnliche Brillen und Sonnenbrillen sind KEINE Sicherheitsbrillen oder Arbeitsschutzbrillen. Außerdem wird das Tragen dick gefütterter Handschuhe und einer Staubmaske empfohlen.**
5. **Überprüfen Sie vor der Inbetriebnahme, ob der Werkzeugeinsatz gesichert ist.**
6. **Unter normalen Betriebsbedingungen erzeugt das Werkzeug Vibrationen. Hierdurch können sich Schrauben lösen, was zu Aus- und Unfällen führen kann. Überprüfen Sie vor der Arbeit sorgsam den festen Sitz der Schrauben.**
7. **Lassen Sie das Gerät bei kaltem Wetter oder wenn das Werkzeug längere Zeit nicht benutzt wurde, eine Zeit lang ohne Last warmlaufen. Dadurch wird das Schmiermittel gelockert. Ohne ordnungsgemäßes Aufwärmen ist das Ausführen von Hammervorgängen schwierig.**
8. **Achten Sie jederzeit auf sicheren und festen Stand. Achten Sie darauf, dass sich niemand unter dem Standort des Bedieners befindet, wenn das Werkzeug an erhöhten Orten verwendet wird.**
9. **Halten Sie das Werkzeug mit beiden Händen fest.**
10. **Halten Sie Ihre Hände von den beweglichen Teilen fern.**
11. **Lassen Sie das Werkzeug nicht unbeaufsichtigt eingeschaltet. Das Werkzeug darf nur dann eingeschaltet werden, wenn es festgehalten wird.**

12. **Richten Sie das Werkzeug während des Betriebs nicht auf Personen in Ihrer Umgebung. Der Meißeleinsatz könnte sich lösen und zu schweren Verletzungen führen.**
13. **Berühren Sie kurz nach dem Betrieb nicht den Bohrmeißel oder Teile in der Nähe des Bohrmeißels. Diese können extrem heiß sein und Verbrennungen verursachen.**
14. **Lassen Sie das Werkzeug nicht unnötig ohne Last laufen.**
15. **Manche Materialien enthalten möglicherweise giftige Chemikalien. Vermeiden Sie das Einatmen von Staub und den Hautkontakt mit diesen Materialien. Befolgen Sie die Sicherheitshinweise des Materialherstellers.**

Zahl am Einstellrad	Schläge pro Minute
5	2.650
4	2.400
3	1.750
2	1.300
1	1.100

⚠ **ACHTUNG:**

- Das Schlagzahl-Einstellrad lässt sich nur bis 5 und zurück auf 1 drehen. Wird es gewaltsam über 5 oder 1 hinaus gedreht, lässt sich die Schlagzahl möglicherweise nicht mehr einstellen.

Nur für Modell HM1111C

HINWEIS:

- Um die Vibration im Leerlauf zu dämpfen, ist die Anzahl der Schläge pro Minute im Leerlauf geringer als unter Last ; dies ist keine Fehlfunktion. Sobald der Meißel mit Beton in Berührung kommt, erhöht sich die Anzahl der Schläge pro Minute und erreicht den in der Tabelle angegebenen Wert. Bei niedrigen Temperaturen und zähflüssigem Fett kann es jedoch sein, dass sich der Zusammenhang zwischen Motordrehzahl des Werkzeugs und Schlagzahl des Meißels ändert.

Anzeigeleuchte (Abb. 3)

Die grüne Anzeigeleuchte „Stromversorgung EIN“ leuchtet, sobald das Werkzeug an die Stromversorgung angeschlossen wird. Wenn die Anzeigeleuchte nicht leuchtet, ist möglicherweise das Stromkabel oder die Steuereinheit defekt. Wenn die Anzeigeleuchte leuchtet und das Werkzeug beim Einschalten nicht startet, sind möglicherweise die Kohlebürsten verbraucht, oder die Steuereinheit, der Motor oder der EIN/AUS-Schalter ist defekt.

Wenn die Kohlebürsten nahezu verbraucht sind, flackert die rote Anzeigeleuchte „Service“. Dies bedeutet, dass das Werkzeug gewartet werden muss. Nach etwa 8 Stunden Betriebsdauer schaltet sich der Motor automatisch aus.

MONTAGE

⚠ **ACHTUNG:**

- Schalten Sie das Werkzeug stets aus und ziehen Sie den Netzstecker, bevor Sie irgendwelche Arbeiten am Werkzeug durchführen.

Seitengriff (Zusatzgriff)

Bei einem Werkzeug mit D-förmigem Seitengriff (Abb. 4)

Der Seitengriff kann um 360° um die Werkzeugachse gedreht und in jeder gewünschten Position festgestellt werden. Außerdem kann der Griff in acht verschiedene Positionen nach vorn bzw. nach hinten gestellt. Lockern Sie einfach die Befestigungsmutter und drehen Sie den Seitengriff in die gewünschte Position. Ziehen Sie anschließend die Befestigungsmutter fest an.

BEWAHREN SIE DIESE ANLEITUNG SORGFÄLTIG AUF.

⚠ **WARNUNG:**

Lassen Sie sich **NIE** durch Bequemlichkeit oder (aus fortwährendem Gebrauch gewonnener) Vertrautheit mit dem Werkzeug dazu verleiten, die Sicherheitsregeln für das Werkzeug zu missachten. Bei **MISSBRÄUCLICHER** Verwendung des Werkzeugs oder Missachtung der in diesem Handbuch enthaltenen Sicherheitshinweise kann es zu schweren Verletzungen kommen.

FUNKTIONSBESCHREIBUNG

⚠ **ACHTUNG:**

- Schalten Sie das Werkzeug stets aus und ziehen Sie den Stecker, bevor Sie Einstellungen am Werkzeug oder eine Funktionsprüfung des Werkzeugs vornehmen.

Bedienung des Schalters (Abb. 1)

⚠ **ACHTUNG:**

- Achten Sie vor dem Anschließen des Werkzeugs an die Stromversorgung stets darauf, dass das Werkzeug ausgeschaltet ist.
- Um die Bedienung bei längerem Gebrauch zu vereinfachen, kann der Schalter in Stellung „ON“ (EIN) arretiert werden. Seien Sie vorsichtig, wenn der Schalter des Werkzeugs in der Position „ON“ (EIN) arretiert ist, und halten Sie das Werkzeug zu jeder Zeit gut fest.

Um das Werkzeug einzuschalten, drücken Sie auf den Hebelschalter „ON (I)“ auf der linken Seite des Werkzeugs. Zum Ausschalten des Werkzeugs drücken Sie auf den Hebelschalter „OFF (O)“ auf der rechten Seite des Werkzeugs.

Ändern der Drehzahl (Abb. 2)

Die Schläge pro Minute können Sie auf einfache Weise durch Drehen am Einstellrad ändern. Dies ist auch bei laufendem Werkzeug möglich. Das Einstellrad ist mit 1 (niedrigste Schlagzahl) bis 5 (höchste Schlagzahl) beschriftet.

In der folgenden Tabelle sind die Zahlenmarken am Einstellrad und die zugehörigen Schläge pro Minute angegeben:

Bei einem Werkzeug mit geradem Seitengriff (Abb. 5)

Da der Seitengriff in jede Stellung gedreht werden kann, ist in jeder Position ein bequemes Halten des Werkzeugs möglich. Lockern Sie den Seitengriff durch Drehen gegen den Uhrzeigersinn, stellen Sie den Griff in die gewünschte Position, und sichern Sie den Griff dann wieder durch Drehen im Uhrzeigersinn.

Montage und Demontage des Meißels (Abb. 6)

Reinigen Sie den Aufnahmeschaft und schmieren Sie den Schaft vor dem Einsetzen des Meißels mit etwas Fett. Setzen Sie den Meißel in das Werkzeug ein. Drehen Sie den Meißel und drücken Sie den Meißel hinein, bis er einrastet. (Abb. 7)

Wenn der Meißel nicht hineingedrückt werden kann, nehmen Sie den Meißel wieder heraus. Ziehen Sie die Meißelverriegelung einige Male nach hinten. Setzen Sie dann den Meißel erneut ein. Drehen Sie den Meißel und drücken Sie den Meißel hinein, bis er einrastet. (Abb. 8) Versuchen Sie nach dem Einsetzen des Meißels immer, den Meißel herauszuziehen, um zu überprüfen, ob der Meißel ordnungsgemäß sitzt. (Abb. 9)

Um den Meißel zu herauszunehmen, ziehen Sie die Meißelverriegelung ganz nach hinten und ziehen Sie den Meißel heraus.

Winkel des Meißels (Abb. 10 und 11)

Der Meißel kann in 12 verschiedenen Winkeln arretiert werden. Zum Ändern des Meißelwinkels schieben Sie den Wechselring nach vorn und drehen Sie den Ring anschließend. Wenn der Meißel im gewünschten Winkel steht, schieben Sie den Wechselring wieder in die Ausgangsposition. Der Meißel wird in seiner Position arretiert.

HINWEIS:

- Der Wechselring kann nur gedreht werden, wenn sich ein Meißel am Werkzeug befindet.

BETRIEB

Meißeln / Schaben / Abbrucharbeiten (Abbn. 12 und 13)

Verwenden sie immer den D-förmigen Seitengriff oder den geraden Seitengriff (Zusatzgriff) und halten Sie das Werkzeug während des Betriebs zu jeder Zeit sicher am D-förmigen Seitengriff bzw. am gerade Seitengriff und am Schaltergriff fest. Schalten Sie das Werkzeug ein und üben Sie leichten Druck auf das Werkzeug aus, so dass es nicht unkontrolliert herumspringt. Ein stärkerer Druck auf das Werkzeug erhöht nicht dessen Wirkung.

WARTUNG

⚠️ ACHTUNG:

- Schalten Sie das Werkzeug aus und ziehen Sie immer den Netzstecker, bevor Sie Kontrollen oder Wartungsarbeiten am Werkzeug vornehmen.
- Verwenden Sie zum Reinigen niemals Kraftstoffe, Benzin, Verdünnern, Alkohol oder ähnliches. Dies kann zu Verfärbungen, Verformungen oder Rissen führen.

Schmierung

⚠️ ACHTUNG:

- Dieser Wartungsvorgang sollte nur von autorisierten Makita-Servicecentern durchgeführt werden.

Da das Schmieresystem dieses Werkzeugs auf mit Schmierfett gefüllten Lagern beruht, muss das Werkzeug nicht stündlich oder täglich gefettet werden. Das Werkzeug sollte bei jedem Wechsel der Kohlebürsten geschmiert werden. Senden Sie komplette Werkzeug an ein von Makita autorisiertes Service Center, um diesen Wartungsvorgang vornehmen zu lassen. (Abb. 14) Nehmen Sie das Werkzeug für einige Minuten in Betrieb, um es aufzuwärmen. Schalten Sie das Werkzeug aus, und ziehen Sie den Netzstecker.

Lösen Sie die sechs Schrauben, und nehmen Sie den Griff ab. Beachten Sie, dass sich die oberen Schrauben von den übrigen Schrauben unterscheiden. (Abb. 15) Ziehen Sie den Steckverbinder ab. (Abb. 16)

Lösen Sie die fünf Schrauben an der Kurbelkappe und nehmen Sie die Kurbelkappenabdeckung ab. (Abb. 17) Wischen Sie das alte Fett im Inneren aus, und bringen Sie neues Fett ein (30 g). Verwenden Sie ausschließlich Original-Hammerfett von Makita (Sonderzubehör). Wenn Sie mehr Fett auffüllen als angegeben (etwa 30 g), kann dies zu Ausfällen und Fehlfunktionen des Werkzeugs führen. Füllen Sie nicht mehr als die angegebene Menge an Fett auf.

⚠️ ACHTUNG:

- Achten Sie sorgfältig darauf, dass Sie beim Auswischen des alten Fetts den Steckverbinder und die Kabel nicht beschädigen.

Zum Zusammenbauen des Werkzeugs führen Sie das Demontagungsverfahren in umgekehrter Reihenfolge aus.

⚠️ ACHTUNG:

- Die Kurbelkappe darf nicht zu fest angezogen werden. Die Kappe ist aus Kunststoff gefertigt und kann brechen.
- Achten Sie sorgfältig darauf, dass Sie beim Einbauen des Griffs den Steckverbinder und die Kabel nicht beschädigen. (Abb. 18)

Schließen Sie den Steckverbinder fest an, und bringen Sie anschließend den Griff wieder an.

Um die SICHERHEIT und die ZUVERLÄSSIGKEIT des Produkts zu gewährleisten, dürfen Reparaturen, Inspektion und Austausch der Kohlebürsten sowie alle anderen Wartungsarbeiten und Einstellungen nur in von Makita autorisierten Servicecentern ausgeführt werden. Dabei sind ausschließlich Makita-Ersatzteile zu verwenden.

ZUBEHÖR

⚠️ ACHTUNG:

- Für das in diesem Handbuch beschriebene Makita-Werkzeug werden die folgenden Zubehör- und Zusatzteile empfohlen. Bei Verwendung anderer Zubehör- und Zusatzteile kann es zu Verletzungen kommen. Verwenden Sie Zubehör- und Anbauteile nur für den vorgesehenen Zweck.

Informationen zu diesem Zubehör erhalten Sie von Ihrem Makita-Servicecenter.

- Spitzmeißel (SDS-max)
- Flachmeißel (SDS-max)

- Schaber (SDS-max)
- Lehm spatel (SDS-max)
- Meißelfett
- Schutzbrillen
- Hammerfett
- Kunststoff-Tragekoffer

Nur für europäische Länder

ENH101-14

EG-Konformitätserklärung

Wir, Makita Corporation als verantwortlicher Hersteller, erklären, dass die folgenden Geräte der Marke Makita:

Bezeichnung des Geräts:
Stemmhammer

Nummer / Typ des Modells: HM1111C, HM1101C

in Serienfertigung hergestellt werden und **den folgenden Richtlinien der Europäischen Union genügen:**

2006/42/EG

Außerdem werden die Geräte gemäß den folgenden Standards oder Normen gefertigt:

EN60745

Die technische Dokumentation erfolgt durch unseren Bevollmächtigten in Europa:

Makita International Europe Ltd.,
Michigan Drive, Tongwell,
Milton Keynes, MK15 8JD, England

Schall

ENG905-1

Typischer A-bewerteter Schallpegel nach EN60745:

Modell HM1111C

Schalldruckpegel (L_{pA}): 88 dB (A)
Schalleistungspegel (L_{WA}): 99 dB (A)
Abweichung (K): 3 dB (A)

Modell HM1101C

Schalldruckpegel (L_{pA}): 90 dB (A)
Schalleistungspegel (L_{WA}): 101 dB (A)
Abweichung (K): 3 dB (A)

Tragen Sie Gehörschutz.

Schwingung

ENG900-1

Schwingungsgesamtwerte (Vektorsumme dreier Achsen) nach EN60745:

Modell HM1111C

Arbeitsmodus: Meißelarbeiten mit Seitengriff
Schwingungsbelastung ($a_{h, CHeg}$): 7,5 m/s²
Abweichung (K): 1,5 m/s²

Arbeitsmodus: Meißelarbeiten mit Seitengriff
Schwingungsbelastung ($a_{h, CHeg}$): 8,0 m/s²
Abweichung (K): 1,5 m/s²

Modell HM1101C

Arbeitsmodus: Meißelarbeiten mit Seitengriff
Schwingungsbelastung ($a_{h, CHeg}$): 13,5 m/s²
Abweichung (K): 2,0 m/s²

Arbeitsmodus: Meißelarbeiten mit Seitengriff
Schwingungsbelastung ($a_{h, CHeg}$): 13,5 m/s²
Abweichung (K): 1,5 m/s²

ENG901-1

- Der hier angegebene Wert für die erzeugten Schwingungen wurde gemäß dem genormten Testverfahren ermittelt und kann als Vergleich zu anderen Werkzeugen herangezogen werden.
- Der angegebene Wert für die erzeugten Schwingungen ist außerdem für eine vorbeugende Bewertung der Belastung zu verwenden.

⚠️ WARNUNG:

- Die Schwingungsbelastung kann bei tatsächlichem Gebrauch des Elektrowerkzeugs in Abhängigkeit von der Handhabung des Elektrowerkzeugs von dem hier aufgeführten Wert abweichen.
- Stellen Sie sicher, dass Schutzmaßnahmen für den Bediener getroffen werden, die auf den unter den tatsächlichen Arbeitsbedingungen zu erwartenden Belastungen beruhen (beziehen Sie alle Bestandteile des Arbeitsablaufs ein, also zusätzlich zu den Arbeitszeiten auch Zeiten, in denen das Werkzeug ausgeschaltet ist oder ohne Last läuft).

9.11.2009



Tomoyasu Kato
Direktor

Makita Corporation
3-11-8, Sumiyoshi-cho,
Anjo, Aichi, JAPAN

ITALIANO (Istruzioni originali)

Spiegazione della vista generale

- | | | |
|--|---|--------------------------|
| 1. Leva dell'interruttore | 7. Impugnatura laterale (maniglia ausiliaria) | 12. Viti |
| 2. Ghiera di regolazione | 8. Gambo della punta | 13. Connettore |
| 3. Spia indicazione accensione (verde) | 9. Grasso per punte | 14. Bianco |
| 4. Spia di servizio (rossa) | 10. Coperchio di rilascio | 15. Nero |
| 5. Impugnatura laterale girevole | 11. Anello per modificare la modalità operativa | 16. Cacciavite |
| 6. Dado di serraggio | | 17. Protezione manovella |
| | | 18. Grasso |

CARATTERISTICHE TECNICHE

Modello	HM1111C	HM1101C
Colpi al minuto	1.100 - 2.650 min ⁻¹	
Lunghezza totale	528 mm	528 mm
Peso netto con impugnatura laterale girevole	8,0 kg	7,3 kg
Peso netto con impugnatura laterale	7,8 kg	7,2 kg
Classe di sicurezza	II/II	

- Le caratteristiche tecniche riportate di seguito sono soggette a modifiche senza preavviso in virtù del nostro programma continuo di ricerca e sviluppo.
- Le caratteristiche tecniche possono differire da paese a paese.
- Peso determinato in conformità con la EPTA-Procedure 01/2003

Uso previsto

ENE045-1

L'utensile è stato progettato per la scalpellatura di cemento, mattoni, pietra e asfalto, nonché per la tassellatura e la compattazione mediante gli appositi accessori.

Alimentazione

ENF002-1

L'utensile deve essere collegato a una presa di corrente con la stessa tensione di quella indicata sulla targhetta e può funzionare soltanto con corrente alternata monofase. L'utensile è dotato di doppio isolamento in osservanza alle norme europee, pertanto può essere usato anche con prese di corrente sprovviste della messa a terra.

Avvertenze generali di sicurezza per l'uso dell'utensile

GEA010-1

⚠ AVVERTENZA Leggere attentamente tutte le avvertenze di sicurezza e le istruzioni. La mancata osservanza delle istruzioni e delle avvertenze riportate di seguito potrebbe provocare scosse elettriche, incendi e/o lesioni gravi.

Conservare le avvertenze e le istruzioni per riferimenti futuri.

AVVERTENZE DI SICUREZZA PER IL MARTELLO

GEB004-6

- Indossare protezioni acustiche.** L'esposizione al rumore può causare la perdita della capacità uditiva.
- Utilizzare le maniglie ausiliarie, se fornite con l'utensile.** La perdita di controllo può provocare lesioni personali.
- Se vengono eseguite operazioni in cui l'accessorio di taglio può toccare fili nascosti o il cavo di alimentazione dell'utensile, impugnare**

l'utensile utilizzando i punti di presa isolati.

Se l'accessorio da taglio entra a contatto con un filo percorso da corrente, le parti metalliche esposte dell'utensile si troveranno anch'esse sotto tensione e potrebbero provocare scosse elettriche all'operatore.

- Indossare un elmetto (casco di sicurezza), occhiali di sicurezza e/o visiere protettive. I comuni occhiali da vista o da sole NON sono occhiali di sicurezza. Si consiglia anche di indossare una maschera antipolvere e guanti imbottiti.**
- Prima di azionare l'utensile, verificare che la punta sia fissata nella posizione corretta.**
- In condizioni d'uso normali, l'utensile è progettato per produrre vibrazioni. Le viti possono svitarsi facilmente, causando una rottura o un incidente. Prima di azionare l'utensile, controllare che le viti siano serrate.**
- In caso di temperature fredde oppure se l'utensile non è stato utilizzato a lungo, lasciare riscaldare l'utensile per qualche istante azionandolo senza alcun carico. In tal modo il lubrificante sarà meno viscoso e più efficace. Le operazioni di martellatura risultano più difficoltose senza un preriscaldamento adeguato.**
- Accertarsi sempre di avere un equilibrio stabile. Controllare che nessuno si trovi sotto all'utensile quando lo si utilizza in posizioni elevate.**
- Tenere saldamente l'utensile con entrambe le mani.**
- Mantenere le mani lontano dalle parti in movimento.**
- Non lasciare l'utensile acceso. Azionare l'utensile solo dopo averlo impugnato.**
- Non puntare l'utensile verso persone presenti nell'area di lavoro. Un'eventuale fuoriuscita della punta potrebbe provocare lesioni gravi.**
- Non toccare la punta o le parti vicino alla punta subito dopo aver utilizzato l'utensile in quanto**

possono raggiungere temperature elevate e provocare ustioni.

14. **Non azionare inutilmente l'attrezzo a vuoto.**
15. **Alcuni materiali contengono prodotti chimici che possono essere tossici. Evitare l'inalazione della polvere e il contatto con la pelle. Attenersi alle istruzioni per la sicurezza del fornitore dei materiali.**

CONSERVARE QUESTE ISTRUZIONI.

⚠ AVVERTENZA:

NON lasciare che la familiarità acquisita con il prodotto (dovuta all'uso ripetuto) provochi l'inosservanza delle regole di sicurezza per il presente utensile. L'USO IMPROPRIO o la mancata osservanza delle norme di sicurezza contenute in questo manuale può provocare lesioni personali gravi.

DESCRIZIONE FUNZIONALE

⚠ ATTENZIONE:

- Prima di regolare o controllare le funzioni dell'utensile, verificare sempre di averlo spento e scollegato dall'alimentazione.

Azionamento dell'interruttore (Fig. 1)

⚠ ATTENZIONE:

- Prima di collegare l'utensile all'alimentazione elettrica, verificare che sia spento.
- È possibile bloccare l'interruttore nella posizione "ON" (ACCESO) per garantire comodità all'operatore durante l'uso prolungato dell'utensile. Prestare attenzione quando si blocca l'utensile nella posizione "ON" (ACCESO) e mantenere una presa sicura.

Per avviare l'utensile, premere la leva dell'interruttore "I (ON)" sul lato sinistro dell'utensile. Per arrestare l'utensile, premere la leva dell'interruttore "O (OFF)" sul lato destro dell'utensile.

Modifica della velocità (Fig. 2)

Il numero di colpi al minuto può essere regolato ruotando la ghiera di regolazione. L'operazione può essere eseguita anche quando l'utensile è in funzione. I segni sulla ghiera vanno da 1 (velocità minima) a 5 (velocità massima).

Fare riferimento alla tabella seguente per quanto riguarda la relazione fra la posizione della ghiera e il numero di colpi al minuto.

Numero sulla ghiera di regolazione	Colpi al minuto
5	2.650
4	2.400
3	1.750
2	1.300
1	1.100

⚠ ATTENZIONE:

- La ghiera di regolazione della velocità può essere ruotata soltanto fino a 5 o indietro fino a 1. Non forzarla oltre 5 o 1: potrebbe non funzionare più correttamente.

Solo per il modello HM111C

NOTA:

- Il numero di colpi a vuoto al minuto diminuisce rispetto a quello a pieno carico per ridurre le vibrazioni a vuoto, ma non si tratta di un problema di funzionamento. Dopo aver avviato il funzionamento con una punta contro il cemento, il numero di colpi al minuto aumenta e raggiunge i valori riportati nella tabella. In caso di basse temperature e conseguente minore fluidità del grasso, l'utensile potrebbe non svolgere questa funzione anche con il motore in rotazione.

Spia luminosa (Fig. 3)

La spia verde dell'alimentazione si accende quando l'utensile è collegato alla presa di corrente. Se la spia non si accende, il cavo di alimentazione o il controller potrebbero non funzionare correttamente. Se la spia si accende ma l'utensile non si avvia nonostante sia acceso, potrebbero essersi usurate le spazzole di carbone oppure il controller, il motore o l'interruttore potrebbero non funzionare correttamente.

La spia di servizio rossa lampeggia quando le spazzole di carbone sono quasi del tutto usurate, per indicare che l'utensile ha bisogno di manutenzione. Il motore viene automaticamente disattivato dopo circa 8 ore di utilizzo.

MONTAGGIO

⚠ ATTENZIONE:

- Accertarsi sempre che l'utensile sia spento e scollegato dalla presa di corrente prima di iniziare qualsiasi operazione su di esso.

Impugnatura laterale (impugnatura ausiliaria)

Per utensili con impugnatura laterale girevole (Fig. 4)

L'impugnatura laterale può essere girata a 360° in verticale e fissata in qualunque posizione desiderata. Si può anche fissare orizzontalmente, avanti e indietro, in otto diverse posizioni. Per girare l'impugnatura nella posizione desiderata è sufficiente allentare il dado di serraggio. Dopo l'operazione, stringere completamente il dado di serraggio.

Per utensili con impugnatura laterale ad asta (Fig. 5)

Il manico laterale può essere collocato su entrambi i lati dell'utensile per consentire una presa sicura in qualsiasi posizione di lavoro. Allentare il manico laterale ruotandolo in senso antiorario, collocarlo nella posizione desiderata e fissarlo, ruotandolo in senso orario.

Installazione o rimozione della punta (Fig. 6)

Pulire il gambo della punta e applicare il grasso prima di installare la punta.

Inserire la punta nell'utensile. Ruotare la punta e spingere fino ad agganciarla. (Fig. 7)

Se non è possibile inserire la punta, rimuoverla. Abbassare il coperchio di rilascio un paio di volte. Quindi inserire nuovamente la punta. Ruotare la punta e spingere fino ad agganciarla. (Fig. 8)
Dopo l'installazione, verificare sempre che la punta rimanga saldamente in posizione provando ad estrarla. (Fig. 9)

Per rimuovere la punta, abbassare completamente il coperchio di rilascio ed estrarre la punta.

Angolo della punta (Fig. 10 e 11)

È possibile fissare la punta secondo 12 angoli diversi. Per cambiare l'angolo della punta, far scorrere in avanti l'anello per modificare la modalità operativa, quindi ruotarlo per cambiare l'angolo della punta. Una volta raggiunto l'angolo desiderato, far scorrere l'anello per modificare la modalità operativa nella posizione originale. La punta viene fissata in posizione.

NOTA:

- Quando la punta non è installata sull'utensile, non è possibile ruotare l'anello di cambio della modalità operativa.

USO

Scalpellatura/scagliatura/demolizione (Fig. 12 e 13)

Durante il funzionamento, utilizzare sempre l'impugnatura laterale girevole o l'impugnatura laterale (maniglia ausiliaria), tenendo saldamente l'utensile sia per l'impugnatura laterale girevole, o per l'impugnatura laterale, sia per l'impugnatura dell'interruttore. Accendere l'attrezzo e applicare una leggera pressione in modo da evitare contraccolpi non controllati. L'efficienza dell'utensile non aumenta se si applica una pressione molto forte.

MANUTENZIONE

⚠ ATTENZIONE:

- Prima di effettuare controlli e operazioni di manutenzione, verificare sempre che l'utensile sia spento e scollegato.
- Evitare assolutamente l'uso di benzina, diluenti, solventi, alcol o sostanze simili. Potrebbero verificarsi scoloriture, deformazioni o incrinature.

Lubrificazione

⚠ ATTENZIONE:

- Questa manutenzione deve essere effettuata solo da centri di assistenza autorizzati Makita.

Questo utensile non richiede una lubrificazione quotidiana o regolare, perché dispone di un sistema di lubrificazione con grasso. È necessario lubrificarlo a ogni sostituzione delle spazzole di carbone. Per il servizio di lubrificazione, inviare l'utensile completo a un centro di assistenza autorizzato Makita. (Fig. 14)

Azionare l'utensile per diversi minuti in modo da riscaldarlo. Spegnerlo e scollegare l'utensile.

Allentare le sei viti e rimuovere l'impugnatura. Nota: le viti superiori sono diverse dalle altre. (Fig. 15)

Sconnettere il connettore, tirandolo. (Fig. 16)

Allentare le cinque viti sul coperchio della manovella e rimuoverlo. (Fig. 17)

Asportare il grasso all'interno dell'alloggiamento e sostituirlo con grasso nuovo (30 g). Usare solo grasso per martelli originale Makita (accessorio opzionale). Il riempimento con una quantità di grasso superiore a quella indicata (approx. 30 g) può causare una percussione difettosa o guasti all'utensile. Riempire solo con la quantità di grasso specificata.

⚠ ATTENZIONE:

- Fare attenzione a non danneggiare il connettore o i conduttori, specie durante la rimozione del grasso.

Per rimontare l'utensile, attenersi alla procedura di disinstallazione procedendo in senso inverso.

⚠ ATTENZIONE:

- Non stringere eccessivamente il coperchio della manovella. Il coperchio è costruito in resina ed è soggetto a rotture.
- Fare attenzione a non danneggiare il connettore o i conduttori, specie durante l'installazione dell'impugnatura. (Fig. 18)

Collegare saldamente il connettore, quindi rimontare l'impugnatura.

Per mantenere la SICUREZZA e l'AFFIDABILITÀ del prodotto, le riparazioni, il controllo della spazzola di carbone, le sostituzioni e qualsiasi altra operazione di manutenzione o regolazione devono essere eseguite da un centro di assistenza Makita autorizzato usando sempre ricambi Makita.

ACCESSORI

⚠ ATTENZIONE:

- Si raccomanda di usare questi accessori per l'utensile Makita descritto in questo manuale. L'uso di qualsiasi altro accessorio potrebbe provocare lesioni personali. Utilizzare gli accessori esclusivamente per l'uso dichiarato.

Per l'assistenza e ulteriori informazioni su tali accessori, rivolgersi al centro di assistenza Makita più vicino.

- Punta gigante (SDS-max)
- Scalpello a freddo (SDS-max)
- Scalpello per scagliatura (SDS-max)
- Paletta per argilla (SDS-max)
- Grasso per punte
- Occhiali di sicurezza
- Grasso per martello
- Valigetta di trasporto di plastica

Rumore

ENG905-1

Il tipico livello di rumore ponderato "A" è determinato in conformità con la norma EN60745:

Modello HM1111C

Livello di pressione sonora (L_{pA}): 88 dB (A)

Livello di potenza sonora (L_{WA}): 99 dB (A)

Variazione (K): 3 dB (A)

Modello HM1101C

Livello di pressione sonora (L_{pA}): 90 dB (A)

Livello di potenza sonora (L_{WA}): 101 dB (A)

Variazione (K): 3 dB (A)

Indossare una protezione acustica.

Vibrazione

ENG900-1

Il valore totale delle vibrazioni (somma vettoriale triassiale) è determinato in conformità con la norma EN60745:

Modello HM1111C

Modalità di lavoro: scalpellatura con impugnatura laterale

Emissione di vibrazioni ($a_{h,CHeq}$): 7,5 m/s²

Variazione (K): 1,5 m/s²

Modalità di lavoro: scalpellatura con impugnatura laterale

Emissione di vibrazioni ($a_{h,CHeq}$): 8,0 m/s²

Variazione (K): 1,5 m/s²

Modello HM1101C

Modalità di lavoro: scalpellatura con impugnatura laterale

Emissione di vibrazioni ($a_{h,CHeq}$): 13,5 m/s²

Variazione (K): 2,0 m/s²

Modalità di lavoro: scalpellatura con impugnatura laterale

Emissione di vibrazioni ($a_{h,CHeq}$): 13,5 m/s²

Variazione (K): 1,5 m/s²

ENG901-1

- Il valore di emissione delle vibrazioni dichiarato è stato misurato in conformità con il metodo di test standard e può essere utilizzato per confrontare tra loro diversi utensili.
- Il valore di emissione delle vibrazioni dichiarato può anche essere utilizzato per stime preliminari dell'esposizione.

AVVERTENZA:

- L'emissione delle vibrazioni durante l'uso effettivo dell'utensile elettrico può risultare diversa rispetto al valore dichiarato, in base alla modalità d'uso dell'utensile.
- Assicurarsi di individuare le necessarie misure di sicurezza per proteggere l'operatore in base a una stima dell'esposizione nelle condizioni reali di utilizzo (prendendo in considerazione tutte le fasi del ciclo operativo, come quante volte l'utensile viene spento e i periodi in cui rimane inattivo, oltre al tempo di avviamento).

Solo per i paesi europei

ENH101-14

Dichiarazione di conformità CE

Makita Corporation, in qualità di produttore

responsabile, dichiara che gli utensili Makita indicati di seguito:

Denominazione dell'utensile:

Demolitore

N. modello /Tipo: HM1111C, HM1101C

appartengono a una produzione in serie e

sono conformi alle seguenti direttive europee:

2006/42/CE

Sono inoltre prodotti in conformità con gli standard o i documenti standardizzati riportati di seguito:

EN60745

La documentazione tecnica viene conservata dal rappresentante autorizzato Makita in Europa, ovvero:

Makita International Europe Ltd.,

Michigan Drive, Tongwell,

Milton Keynes, MK15 8JD, Inghilterra

9.11.2009



Tomoyasu Kato

Direttore

Makita Corporation

3-11-8, Sumiyoshi-cho,

Anjo, Aichi, JAPAN

NEDERLANDS (Originele instructies)

Verklaring van het onderdelenoverzicht

1. Aan/uit-schakelaar	7. Zijhandgreep (extra handgreep)	13. Stekker
2. Stelknop	8. Bitschacht	14. Wit
3. Bedrijfslampje (groen)	9. Bitvet	15. Zwart
4. Onderhoudslampje (rood)	10. Ontgrendelring	16. Schroevendraaier
5. D-vormige zijhandgreep	11. Verwisseling	17. Krukafdekking
6. Klemmoer	12. Schroeven	18. Vet

TECHNISCHE GEGEVENS

Model	HM1111C	HM1101C
Aantal slagen/minuut	1.100 - 2.650 min ⁻¹	
Totale lengte	528 mm	528 mm
Nettogewicht incl. D-vormige zijhandgreep	8,0 kg	7,3 kg
Nettogewicht incl. rechte zijhandgreep	7,8 kg	7,2 kg
Veiligheidsklasse	II/III	

- Als gevolg van ons doorlopende onderzoeks- en ontwikkelingsprogramma, zijn de technische gegevens van dit gereedschap onderhevig aan veranderingen zonder voorafgaande kennisgeving.
- De technische gegevens kunnen van land tot land verschillen.
- Gewicht volgens EPTA-procedure 01/2003

Gebruiksdoelinden ENE045-1

Het gereedschap is bedoeld voor beetelwerk in beton, baksteen, steen en asfalt, naast heien en verdichten indien voorzien van geschikte accessoires.

Voeding ENF002-1

Het gereedschap mag uitsluitend worden aangesloten op een voeding met dezelfde spanning als aangegeven op het typeplaatje en werkt alleen op enkele-fase wisselstroom. Het gereedschap is dubbel geïsoleerd volgens de Europese norm en mag derhalve ook op een niet-geaard stopcontact worden aangesloten.

Algemene veiligheidswaarschuwingen voor elektrisch gereedschap GEA010-1

⚠ WAARSCHUWING Lees alle veiligheidswaarschuwingen en alle instructies. Het niet volgen van de waarschuwingen en instructies kan leiden tot elektrische schokken, brand en/of ernstig letsel.

Bewaar alle waarschuwingen en instructies om in de toekomst te kunnen raadplegen.

VEILIGHEIDSWAARSCHUWINGEN VOOR BOORHAMER GEB004-6

1. **Draag gehoorbescherming.** Blootstelling aan harde geluiden kan leiden tot gehoorbeschadiging.
2. **Gebruik de hulphandgrepen, als deze bij het gereedschap werden geleverd.** Als u de controle over het gereedschap verliest, kan dit leiden tot persoonlijk letsel.
3. **Houd elektrisch gereedschap vast aan het geïsoleerde oppervlak van de handgrepen**
4. **Controleer of het bit stevig op zijn plaats zit voordat u het gereedschap gebruikt.**
5. **Bij normale bediening behoort het gereedschap te trillen. De schroeven kunnen gemakkelijk losraken, waardoor een defect of ongeluk kan ontstaan. Controleer of de schroeven goed zijn aangedraaid, alvorens het gereedschap te gebruiken.**
6. **In koude weersomstandigheden of wanneer het gereedschap gedurende een lange tijd niet is gebruikt, laat u het gereedschap eerst opwarmen door het onbelast te laten werken. Hierdoor zal de smering worden verbeterd. Zonder degelijk opwarmen, zal de hamerwerking moeilijk zijn.**
7. **Zorg er altijd voor dat u stevig staat. Zorg ervoor dat er niemand zich onder u bevindt wanneer u het gereedschap op een hoge plaats gebruikt.**
8. **Houd het gereedschap met beide handen stevig vast.**
9. **Houd uw handen uit de buurt van bewegende delen.**
10. **Laat het gereedschap niet ingeschakeld liggen. Bedien het gereedschap alleen wanneer u het vasthoudt.**

12. Richt het gereedschap niet op iemand in de buurt terwijl het is ingeschakeld. Het bit zou eruit kunnen vliegen en iemand ernstig verwonden.
13. Raak het bit en onderdelen in de buurt van het bit niet onmiddellijk na gebruik aan. Zij kunnen bijzonder heet zijn en brandwonden op uw huid veroorzaken.
14. Laat het gereedschap niet onnodig onbelast draaien.
15. Sommige materialen bevatten chemische stoffen die giftig kunnen zijn. Neem voorzorgsmaatregelen tegen het inademen van stof en contact met de huid. Volg de veiligheidsinstructies van de leverancier van het materiaal op.

BEWAAR DEZE INSTRUCTIES.

⚠ WAARSCHUWING:

Laat u NIET misleiden door een vals gevoel van comfort en bekendheid met het gereedschap (na veelvuldig gebruik) en neem alle veiligheidsvoorschriften van het betreffende product altijd strikt in acht.

VERKEERD GEBRUIK of het niet volgen van de veiligheidsinstructies in deze gebruiksaanwijzing kan leiden tot ernstig persoonlijk letsel.

BESCHRIJVING VAN DE FUNCTIES

⚠ LET OP:

- Controleer altijd of het gereedschap is uitgeschakeld en de stekker uit het stopcontact is getrokken alvorens de functies van het gereedschap te controleren of af te stellen.

Aan- en uit-knoppen (zie afb. 1)

⚠ LET OP:

- Controleer voor u de stekker in het stopcontact steekt altijd of de machine uitgeschakeld is.
- De aan/uit-schakelaar kan worden vergrendeld in de aan-stand ten behoeve van het gebruikersgemak bij langdurig gebruik. Wees voorzichtig wanneer het gereedschap in de aan-stand is vergrendeld en houd het gereedschap stevig vast.

Om het gereedschap in te schakelen, drukt u aan de linkerkant van het gereedschap op "ON (I)" van de schakelaar. Om het gereedschap uit te schakelen, drukt u aan de rechterkant van het gereedschap op "OFF (O)" van de schakelaar.

De snelheid veranderen (zie afb. 2)

Het aantal slagen per minuut kan worden ingesteld door de stelknop te draaien. Dit kan zelfs worden gedaan terwijl het gereedschap wordt gebruikt. De stelknop is gemerkt van 1 (laagste snelheid) tot 5 (volle snelheid). Raadpleeg onderstaande tabel voor het aantal slagen per minuut in iedere stand van de stelknop.

Cijfer op stelknop	Aantal slagen/minuut
5	2.650
4	2.400
3	1.750
2	1.300
1	1.100

⚠ LET OP:

- U kunt de snelheidsregelaar alleen tot aan het cijfer 5 draaien en terug naar 1. Forceer de schijf niet voorbij de 5 of de 1 omdat de snelheidsregeling daardoor onklaar raakt.

Alleen voor model HM1111C

OPMERKING:

- Het aantal slagen per minuut in onbelaste toestand is lager dan in belaste toestand om de trillingen in onbelaste toestand te verlagen. Dit duidt echter niet op een defect. Zodra de bit het beton raakt, neemt het aantal slagen per minuut toe tot het aantal slagen aangegeven in de tabel. Bij lage temperatuur wanneer het vet minder vloeibaar is, is het mogelijk dat deze functie niet werkt ondanks dat de motor draait.

Lampjes (zie afb. 3)

Het groene bedrijfslampje brandt wanneer het gereedschap van stroom wordt voorzien. Als het lampje niet brandt, kan het netsnoer beschadigd zijn of een storing zijn opgetreden in de controller. Als het lampje brandt, maar het gereedschap niet start, zelfs niet wanneer de schakelaar in de aan-stand wordt gezet, kunnen de koolborstels versleten zijn, of kan een storing zijn opgetreden in de motor, de controller of de aan/uit-schakelaar.

Het rode onderhoudslampje gaat knipperen zodra de koolborstels bijna versleten zijn, om aan te geven dat de machine moet worden onderhouden. Na ongeveer 8 uur gebruik, stopt de motor automatisch.

ONDERDELEN AANBRENGEN/ VERWIJDEREN

⚠ LET OP:

- Controleer altijd of het gereedschap is uitgeschakeld en de stekker uit het stopcontact is getrokken alvorens enige werk aan het gereedschap uit te voeren.

Zijhandgreep (extra handgreep)

Voor gereedschap met D-vormige zijhandgreep (zie afb. 4)

De zijhandgreep kan over 360° om de verticale as worden verdraaid in om het even welke gewenste stand. Verder zijn er ook acht verschillende standen naar voor en naar achter op de horizontale. Draai de klemmoer los om de handgreep in de gewenste stand te brengen. Draai daarna de klemmoer weer stevig vast.

Voor gereedschap met rechte zijhandgreep (zie afb. 5)

De zijhandgreep kan worden gedraaid en op iedere zijkant worden gemonteerd zodat het gereedschap eenvoudig kan worden gehanteerd vanuit iedere positie.

Draai de zijhandgreep los door deze linksom te draaien, verdraai deze naar de gewenste positie en zet hem weer vast door hem rechtsom te draaien.

De bit aanbrengen en verwijderen (zie afb. 6)

Reinig de bitschacht en smeer er bitvet op alvorens de bit te installeren.

Steek de bit in het gereedschap. Draai de bit en duw hem naar binnen tot hij vergrendelt (zie afb. 7).

Als de bit niet naar binnen kan worden geduwd, haalt u de bit eruit. Trek de ontgrendelring enkel keren omlaag.

Steek de bit daarna opnieuw naar binnen. Draai de bit en duw hem naar binnen tot hij vergrendelt (zie afb. 8).

Controleer na het aanbrengen altijd of de bit stevig in het gereedschap is bevestigd door te proberen hem eruit te trekken (zie afb. 9).

Om de bit te verwijderen, trekt u de ontgrendelring helemaal omlaag en vervolgens de bit eruit.

Bithoek (zie afb. 10 en 11)

De bit kan onder 12 verschillende hoeken worden vastgezet. Om de bithoek te veranderen, schuift u de verwisselring naar voren en draait u de verwisselring in de gewenste stand. In de gewenste stand schuift u de verwisselring terug omlaag in de oorspronkelijke positie. De bit wordt op zijn plaats vergrendeld.

OPMERKING:

- De verwisselring kan niet draaien wanneer geen bit in het gereedschap is geplaatst.

BEDRIJF

Beitelen, bikken en slopen (zie afb. 12 en 13)

Gebruik altijd de D-vormige zijhandgreep of rechte zijhandgreep (extra handgreep) en houd tijdens gebruik het gereedschap stevig vast aan zowel de D-vormige zijhandgreep of rechte zijhandgreep als het schakelaarhandvat. Schakel het gereedschap in en oefen er enige kracht op uit zodat het gereedschap niet oncontroleerbaar in het rond springt. Het gereedschap werkt niet efficiënter als u grote druk op het gereedschap uitoefent.

ONDERHOUD

⚠ LET OP:

- Zorg er altijd voor dat het gereedschap is uitgeschakeld en de stekker uit het stopcontact is getrokken, voordat u een inspectie of onderhoud uitvoert.
- Gebruik nooit benzine, wasbenzine, thinner, alcohol, enz. Dit kan leiden tot verkleuren, vervormen of barsten.

Smeren

⚠ LET OP:

- Dit onderhoud mag alleen worden uitgevoerd door een door Makita erkend of een fabrieks-servicecentrum. Het is niet nodig dit gereedschap iedere uur of iedere dag te smeren omdat het is uitgerust met een gesloten

smeersysteem. U moet het gereedschap iedere keer na het vervangen van de koolborstels smeren. Stuur de volledige machine voor deze smeerbeurt naar een erkend onderhoudscentrum van Makita. (Zie afb. 14.)

Laat het gereedschap enkele minuten werken om het op te warmen. Schakel het gereedschap uit en trek vervolgens de stekker uit het stopcontact.

Draai de zes schroeven los en haal het schakelaarhandvat eraf. Merk op dat de bovenste schroeven anders zijn dan de overige. (Zie afb. 15.)

Koppel de stekker los door eraan te trekken. (Zie afb. 16.) Draai de vijf schroeven op het deksel van de krukafdekking los en haal het deksel van krukafdekking eraf. (Zie afb. 17.)

Veeg het oude vet aan de binnenkant weg en vervang dit door nieuw vet (30 g). Gebruik uitsluitend Makita-hamervet (los verkrijgbaar). Als u meer dan de aangegeven hoeveelheid vet bijvult (ong. 30 g), kan dit leiden tot een verkeerde hamerwerking of een defect van het gereedschap. Vul niet meer dan de aangegeven hoeveelheid vet bij.

⚠ LET OP:

- Wees voorzichtig dat u de stekker of draden niet beschadigt, met name tijdens het wegvegen van het oude vet.

Om het gereedschap weer in elkaar te zetten, volgt u de demontageprocedure in omgekeerde volgorde.

⚠ LET OP:

- Draai de schroeven van de krukafdekking niet te strak vast. De krukafdekking is van kunststof gemaakt en kan breken.
- Wees voorzichtig dat u de stekker of draden niet beschadigt, met name tijdens het monteren van de handgreep. (Zie afb. 18.)

Sluit de stekker stevig aan en monteer de handgreep.

Om de VEILIGHEID en BETROUWBAARHEID van het gereedschap te handhaven, dienen alle reparaties, controle en vervanging van de koolborstels, onderhoud en afstellingen te worden uitgevoerd door een erkend Makita-servicecentrum, en altijd met gebruikmaking van originele Makita-vervangingsonderdelen.

ACCESSOIRES

⚠ LET OP:

- Deze accessoires of hulpstukken worden aanbevolen voor gebruik met het Makita-gereedschap dat in deze gebruiksaanwijzing wordt beschreven. Het gebruik van andere accessoires of hulpstukken kan gevaar voor persoonlijk letsel opleveren. Gebruik de accessoires of hulpstukken uitsluitend voor de aangegeven gebruiksdoeleinden.

Mocht u meer informatie willen hebben over deze accessoires, dan kunt u contact opnemen met uw plaatselijke Makita-servicecentrum.

- Ronde bit (SDS-max)
- Koudbeitel (SDS-max)
- Bikbeitel (SDS-max)
- Kleispade (SDS-max)
- Bitvet
- Veiligheidsbril
- Hamervet
- Kunststoffen draagdoos

Alleen voor Europese landen
EU-verklaring van conformiteit
Wij, Makita Corporation, als de verantwoordelijke
fabrikant, verklaren dat de volgende Makita-
machine(s):

Aanduiding van de machine:
 Sloophamer
 Modelnr./Type: HM1111C en HM1101C
 in serie is geproduceerd en

Voldoet aan de volgende Europese richtlijnen:
 2006/42/EC

En zijn gefabriceerd in overeenstemming met de
 volgende normen of genormaliseerde documenten:
 EN60745

De technische documentatie wordt bewaard door onze
 erkende vertegenwoordiger in Europa, te weten:

Makita International Europe Ltd.,
 Michigan Drive, Tongwell,
 Milton Keynes, MK15 8JD, Engeland

9-11-2009



Tomoyasu Kato
 Directeur

Makita Corporation
 3-11-8, Sumiyoshi-cho,
 Anjo, Aichi, JAPAN

Geluid ENG905-1

De typische, A-gewogen geluidsniveaus zijn gemeten
 volgens EN60745:

Model HM1111C

Geluidsdrukniveau (L_{pA}): 88 dB (A)
 Geluidsvermogeniveau (L_{WA}): 99 dB (A)
 Onzekerheid (K): 3 dB (A)

Model HM1101C

Geluidsdrukniveau (L_{pA}): 90 dB (A)
 Geluidsvermogeniveau (L_{WA}): 101 dB (A)
 Onzekerheid (K): 3 dB (A)

Draag gehoorbescherming.

Trillingen ENG900-1

De totale trillingswaarde (triaxiale vectorsom) zoals
 vastgesteld volgens EN60745:

Model HM1111C

Gebruikstoepassing: beitelfunctie met zijhandgreep
 Trillingsemisatie ($a_{h, CH_{eq}}$): 7,5 m/s²
 Onzekerheid (K): 1,5 m/s²

Gebruikstoepassing: beitelfunctie met zijhandgreep
 Trillingsemisatie ($a_{h, CH_{eq}}$): 8,0 m/s²
 Onzekerheid (K): 1,5 m/s²

Model HM1101C

Gebruikstoepassing: beitelfunctie met zijhandgreep
 Trillingsemisatie ($a_{h, CH_{eq}}$): 13,5 m/s²
 Onzekerheid (K): 2,0 m/s²

Gebruikstoepassing: beitelfunctie met zijhandgreep
 Trillingsemisatie ($a_{h, CH_{eq}}$): 13,5 m/s²
 Onzekerheid (K): 1,5 m/s²

ENG901-1

- De opgegeven trillingsemisiewaarde is gemeten volgens de standaardtestmethode en kan worden gebruikt om dit gereedschap te vergelijken met andere gereedschappen.
- De opgegeven trillingsemisiewaarde kan ook worden gebruikt voor een beoordeling vooraf van de blootstelling.

⚠ WAARSCHUWING:

- De trillingsemisatie tijdens het gebruik van het elektrisch gereedschap in de praktijk kan verschillen van de opgegeven trillingsemisiewaarde afhankelijk van de manier waarop het gereedschap wordt gebruikt.
- Zorg ervoor dat veiligheidsmaatregelen worden getroffen ter bescherming van de operator die zijn gebaseerd op een schatting van de blootstelling onder praktijkomstandigheden (rekening houdend met alle fasen van de bedrijfscyclus, zoals de tijdsduur gedurende welke het gereedschap is uitgeschakeld en stationair draait, naast de ingeschakelde tijdsduur).

ESPAÑOL (Instrucciones originales)

Explicación de los dibujos

- | | | |
|--|--|---------------------|
| 1. Palanca del interruptor | 6. Tuerca de fijación | 12. Tornillos |
| 2. Dial de ajuste | 7. Empuñadura lateral (mango auxiliar) | 13. Conector |
| 3. Luz indicadora de encendido (verde) | 8. Espiga de la broca | 14. Blanco |
| 4. Luz indicadora de servicio (roja) | 9. Grasa para brocas | 15. Negro |
| 5. Empuñadura lateral en forma de D | 10. Cubierta de liberación | 16. Destornillador |
| | 11. Anilla de cambio | 17. Tapa del cárter |
| | | 18. Grasa |

ESPECIFICACIONES

Modelo	HM1111C	HM1101C
Golpes por minuto	1.100 - 2.650 min ⁻¹	
Longitud total	528 mm	528 mm
Peso neto con empuñadura lateral en forma de D	8,0 kg	7,3 kg
Peso neto con el mango lateral	7,8 kg	7,2 kg
Clase de seguridad	II/II	

- Debido a nuestro programa continuo de investigación y desarrollo, las especificaciones aquí descritas están sujetas a cambios sin previo aviso.
- Las especificaciones pueden ser diferentes de un país a otro.
- Peso de acuerdo con el procedimiento EPTA 01/2003

Uso previsto

ENE045-1

Esta herramienta está diseñada para trabajos de cincelado de hormigón, ladrillo, piedra y asfalto así como para perforar y compactar con los accesorios adecuados.

Alimentación

ENF002-1

La herramienta debe conectarse solamente a una fuente de alimentación de la misma tensión que la indicada en la placa de características, y sólo puede funcionar con corriente alterna monofásica. El sistema de doble aislamiento de la herramienta cumple con las normas europeas y puede, por lo tanto, usarse también en tomacorrientes sin conductor de tierra.

Advertencias de seguridad generales para herramientas eléctricas

GEA010-1

⚠ ADVERTENCIA Lea todas las advertencias de seguridad y todas las instrucciones. La no observancia de las advertencias y las instrucciones puede provocar descargas eléctricas, incendios y/o lesiones graves.

Guarde todas las advertencias e instrucciones para futuras consultas.

ADVERTENCIAS DE SEGURIDAD DEL MARTILLO

GEB004-6

1. **Utilice protectores para los oídos.** La exposición al ruido puede producir pérdida auditiva.
2. **Utilice las empuñaduras auxiliares proporcionadas con la herramienta.** La pérdida de control puede ocasionar daños corporales.
3. **Sujete la herramienta eléctrica por las superficies de agarre aisladas al realizar una operación en que el accesorio de corte pueda entrar en contacto con cables ocultos o con su propio cable.** Si entra en contacto con un cable con corriente, puede que las piezas metálicas expuestas de la herramienta eléctrica se carguen también de corriente y que el operario reciba una descarga.
4. **Póngase un casco de seguridad, gafas de seguridad y/o una careta protectora.** Las gafas normales o de sol NO son gafas de seguridad. También se recomienda encarecidamente que utilice una mascarilla antipolvo y guantes gruesos acolchados.
5. **Asegúrese de que la broca esté firmemente sujeta en su lugar antes del uso.**
6. **En condiciones normales de funcionamiento, la herramienta está diseñada para producir vibraciones.** Los tornillos pueden aflojarse fácilmente, con lo cual se puede averiar la herramienta o puede producirse un accidente. Compruebe que los tornillos estén bien apretados antes del uso.
7. **Si hace frío o la herramienta no se ha utilizado durante un período prolongado, deje que se caliente la herramienta poniéndola en marcha en vacío.** De este modo se facilitará la lubricación. Si no se calienta adecuadamente, se dificultará el martilleo.
8. **Colóquese siempre en una posición bien equilibrada.** Si utiliza la herramienta en una ubicación elevada, asegúrese de que nadie se encuentre debajo.
9. **Sujete firmemente la herramienta con ambas manos.**
10. **Mantenga las manos alejadas de las piezas móviles.**

11. **No deje la herramienta encendida. Póngala en marcha solamente cuando la tenga en las manos.**
12. **No apunte la herramienta hacia ninguna persona que se encuentre en la zona durante su uso. La broca podría salir disparada y herir gravemente a alguien.**
13. **No toque la broca ni las piezas cercanas a ésta inmediatamente después de que hayan estado en funcionamiento; pueden estar extremadamente calientes y producir quemaduras en la piel.**
14. **No utilice la herramienta en vacío innecesariamente.**
15. **Algunos materiales contienen sustancias químicas que pueden ser tóxicas. Procure evitar la inhalación de polvo y el contacto con la piel. Siga los datos de seguridad del proveedor del material.**

GUARDE ESTAS INSTRUCCIONES.

⚠ ADVERTENCIA:

No deje que la comodidad o la familiaridad con el producto (a base de utilizarlo repetidamente) sustituya la estricta observancia de las normas de seguridad del producto en cuestión. El MAL USO o la no observancia de las normas de seguridad expuestas en este manual de instrucciones pueden ocasionar graves daños corporales.

DESCRIPCIÓN DEL FUNCIONAMIENTO

⚠ PRECAUCIÓN:

- Asegúrese siempre de que la herramienta esté apagada y desenchufada antes de intentar realizar cualquier tipo de ajuste o comprobación en ella.

Funcionamiento del interruptor (Fig. 1)

⚠ PRECAUCIÓN:

- Antes de enchufar la herramienta, asegúrese de que está apagada.
- El interruptor se puede bloquear en la posición "ON" (Encendido) para aumentar la comodidad del operario durante el uso prolongado. Tenga cuidado cuando bloquee la herramienta en la posición "ON" (Encendido) y sujete la herramienta firmemente.

Para poner en marcha la herramienta, empuje la palanca hasta el interruptor "ON (I)" del lado izquierdo de la herramienta. Para detener la herramienta empuje la palanca del interruptor hasta la posición "OFF (O)" del lado derecho de la herramienta.

Cambio de velocidad (Fig. 2)

El número de golpes por minuto puede ajustarse girando el dial de regulación. Se puede hacer incluso mientras la herramienta está funcionando. El dial está marcado del 1 (velocidad mínima) al 5 (velocidad máxima).

Consulte la siguiente tabla para obtener información sobre la relación entre los números del dial y el número de golpes por minuto.

Número del dial de ajuste	Golpes por minuto
5	2.650
4	2.400
3	1.750
2	1.300
1	1.100

⚠ PRECAUCIÓN:

- El dial de regulación de la velocidad puede girarse hasta 5 y de vuelta hasta 1 solamente. No lo fuerce más allá de 5 ó 1, o la función de ajuste de velocidad podrá dejar de funcionar.

Sólo en el modelo HM1111C

NOTA:

- El número de golpes por minuto sin carga es inferior al número de golpes con carga para reducir la vibración cuando no hay ninguna carga, sin embargo esto no indica ningún problema. Cuando se inicien las operaciones con una broca contra hormigón, los golpes por minuto aumentarán y alcanzarán los números que se muestran en la tabla. Cuando la temperatura sea baja y la grasa sea menos fluida, es posible que la herramienta no tenga esta función aunque gire el motor.

Luz indicadora (Fig. 3)

La luz indicadora verde de encendido (ON) se enciende cuando se enchufa la herramienta. Si la luz indicadora no se enciende, puede que el cable de la corriente o el controlador estén averiados. Si la luz indicadora está encendida, pero la herramienta no se pone en marcha aunque esté encendida, puede que las escobillas de carbón estén desgastadas o que el controlador, el motor o el interruptor de encendido y apagado estén averiados. Cuando las escobillas estén a punto de desgastarse por completo, la luz indicadora de servicio roja se iluminará de forma intermitente para indicar que es necesario revisar la herramienta. Al cabo de aproximadamente 8 horas de servicio, el motor se apagará automáticamente.

MONTAJE

⚠ PRECAUCIÓN:

- Asegúrese siempre de que la herramienta esté apagada y desenchufada antes de intentar realizar cualquier trabajo en ella.

Empuñadura lateral (empuñadura auxiliar)

Para la herramienta con la empuñadura lateral en forma de D (Fig. 4)

La empuñadura lateral puede girarse 360° en el plano vertical y fijarse en cualquier posición. También puede fijarse en ocho posiciones hacia delante y atrás en el plano horizontal. Para colocar la empuñadura en la posición deseada, afloje la tuerca de fijación. A continuación vuelva a apretar la tuerca de fijación con firmeza.

Para la herramienta con la empuñadura lateral de tipo de barra (Fig. 5)

El mango lateral se puede girar a cualquier lado, lo que posibilita un cómodo agarre de la herramienta en cualquier posición. Afloje el mango lateral girándolo en el sentido contrario a las agujas del reloj, colóquelo en la posición deseada y después apriételo girándolo en el sentido de las agujas del reloj.

Instalación o extracción de la broca (Fig. 6)

Limpie la espiga de la broca y engrásela antes de montarla.

Introduzca la broca en la herramienta. Gírela y empújela hasta que se enclave. (Fig. 7)

Si la broca no entra, extráigala. Desplace la cubierta de liberación un par de veces hacia abajo. Vuelva a introducir la broca. Gírela y empújela hasta que se enclave. (Fig. 8)

Después de la instalación, asegúrese siempre de que la broca esté bien sujeta en su lugar; para ello, intente sacarla. (Fig. 9)

Para extraer la broca, desplace la cubierta de liberación al máximo hacia abajo y tire de la broca hacia fuera.

Ángulo de la broca (Fig. 10 y 11)

La broca puede fijarse en 12 ángulos diferentes. Para cambiar el ángulo de la broca, deslice la anilla de cambio hacia delante y, a continuación, gire la anilla para cambiar el ángulo de la broca. En el ángulo deseado, deslice la anilla de cambio de vuelta a la posición original. La broca estará firmemente sujeta en su lugar.

NOTA:

- La anilla de cambio no se puede girar cuando la broca no está instalada en la herramienta.

ACCIONAMIENTO

Cincelado/desincrustación/demolición (Fig. 12 y 13)

Utilice siempre la empuñadura lateral en forma de D o el mango lateral (mango auxiliar) y sujete firmemente la herramienta por la empuñadura lateral en forma de D o el mango lateral y el mango del interruptor durante las operaciones. Encienda la herramienta y aplique una ligera presión sobre ella para evitar que rebote sin control. Apretar demasiado la herramienta no aumenta la eficacia.

MANTENIMIENTO

⚠ PRECAUCIÓN:

- Asegúrese siempre de que la herramienta esté apagada y desenchufada antes de intentar realizar cualquier trabajo de inspección o mantenimiento en ella.
- Nunca utilice gasolina, benceno, disolvente, alcohol o un producto similar. Se puede provocar una decoloración, una deformación o grietas.

Lubricación

⚠ PRECAUCIÓN:

- Las intervenciones deben ser realizadas únicamente por un centro de servicio técnico autorizado de Makita.

Esta herramienta no requiere lubricación por horas ni diaria, porque tiene un sistema de lubricación constante con grasa. Se debe lubricar cada vez que se reemplacen las escobillas de carbón. Deberá enviar la herramienta completa a un centro de servicio autorizado de Makita para que lubriquen la herramienta. (Fig. 14)
Haga funcionar la herramienta durante varios minutos para que se caliente. Apague y desenchufe la herramienta.

Afloje los seis tornillos y extraiga la empuñadura. Tenga en cuenta que los tornillos superiores son diferentes del resto. (Fig. 15)

Tire de ellos para desconectar el conector. (Fig. 16)

Afloje los cinco tornillos de la cubierta de la tapa del cárter y extráigala. (Fig. 17)

Limpie la grasa antigua y reemplácela con grasa nueva (30 g). Utilice sólo grasa original Makita para martillos (accesorio opcional). Si se añade más grasa de la especificada (aprox. 30 g), puede que haya problemas en el martilleo o que se averíe la herramienta. Añada sólo la cantidad especificada de grasa.

⚠ PRECAUCIÓN:

- Tenga cuidado de no dañar el conector o los conductores, especialmente al limpiar restos de grasa.

Para volver a montar la herramienta, siga el procedimiento de desmontaje en orden inverso.

⚠ PRECAUCIÓN:

- No apriete en exceso la tapa del cárter. Está fabricada en resina y podría romperse.
- Tenga cuidado de no dañar el conector o los conductores, especialmente al montar la empuñadura. (Fig. 18)

Conecte el conector firmemente y vuelva a montar la empuñadura.

Para conservar la SEGURIDAD y la FIABILIDAD del producto, los trabajos de reparación, la inspección y la sustitución de las escobillas de carbón, así como otros trabajos de mantenimiento y ajuste, deberán ser realizados en centros de servicio autorizados de Makita, utilizando siempre piezas de repuesto de Makita.

ACCESORIOS

⚠ PRECAUCIÓN:

- Se recomienda el uso de estos accesorios o complementos con la herramienta Makita especificada en este manual. El uso de otros accesorios o complementos puede conllevar el riesgo de ocasionar daños corporales. Utilice los accesorios o complementos solamente para su fin establecido.

Si necesita cualquier ayuda para obtener más información relativa a estos accesorios, pregunte al centro de servicio Makita local.

- Puntero (SDS-max)
- Cortafíos (SDS-max)
- Cincel desincrustador (SDS-max)
- Pala de arcilla (SDS-max)
- Grasa para brocas
- Gafas de seguridad

- Grasa para martillo
- Maletín de plástico para el transporte

Ruido

ENG905-1

Niveles típicos de ruido ponderado A determinados conforme a EN60745:

Modelo HM1111C

Nivel de presión de sonido (L_{pA}): 88 dB (A)
 Nivel de potencia de sonido (L_{WA}): 99 dB (A)
 Incertidumbre (K): 3 dB (A)

Modelo HM1101C

Nivel de presión de sonido (L_{pA}): 90 dB (A)
 Nivel de potencia de sonido (L_{WA}): 101 dB (A)
 Incertidumbre (K): 3 dB (A)

Útilice protección para los oídos.

Vibración

ENG900-1

Valor total de la vibración (suma de vectores triaxiales) determinada según el estándar EN60745:

Modelo HM1111C

Modo de trabajo: función de desincrustación con empuñadura lateral
 Emisión de vibraciones ($a_{h,ChEq}$): 7,5 m/s²
 Incertidumbre (K): 1,5 m/s²

Modo de trabajo: función de desincrustación con mango lateral
 Emisión de vibraciones ($a_{h,ChEq}$): 8,0 m/s²
 Incertidumbre (K): 1,5 m/s²

Modelo HM1101C

Modo de trabajo: función de desincrustación con empuñadura lateral
 Emisión de vibraciones ($a_{h,ChEq}$): 13,5 m/s²
 Incertidumbre (K): 2,0 m/s²

Modo de trabajo: función de desincrustación con mango lateral
 Emisión de vibraciones ($a_{h,ChEq}$): 13,5 m/s²
 Incertidumbre (K): 1,5 m/s²

ENG901-1

- El valor de emisión de vibraciones se ha medido de acuerdo con el método de prueba estándar y se puede utilizar para comparar herramientas.
- El valor de emisión de vibraciones declarado también se puede usar en una evaluación preliminar de la exposición.

ADVERTENCIA:

- La emisión de vibraciones durante el uso de la herramienta eléctrica puede diferir del valor de emisiones declarado, dependiendo de las formas en que se utiliza la herramienta.
- Asegúrese de identificar las mediciones correctas para proteger al operario, que se basan en una estimación de la exposición en condiciones de uso reales (teniendo en cuenta todas las partes del ciclo de operaciones, como los momentos en los que la herramienta está apagada y cuando funciona al ralentí además del tiempo en que está activado el interruptor).

Sólo para países europeos

ENH101-14

Declaración de conformidad de la CE

Nosotros, Makita Corporation, en calidad de fabricante responsable, declaramos que las siguientes máquinas Makita:

Designación de la máquina:

Martillo Demoledor

Nº de modelo/ Tipo: HM1111C, HM1101C

son de producción serie y

Cumplen con las siguientes Directivas europeas:

2006/42/CE

Y se han fabricado de acuerdo con los siguientes estándares o documentos estandarizados:

EN60745

La documentación técnica la conserva nuestro representante autorizado en Europa, que es:

Makita International Europe Ltd.,
 Michigan, Drive, Tongwell,
 Milton Keynes, MK15 8JD, Inglaterra

9.11.2009



Tomoyasu Kato
 Director

Makita Corporation
 3-11-8, Sumiyoshi-cho,
 Anjo, Aichi, JAPAN

PORTUGUÊS (Instruções de origem)

Descrição geral

- | | | |
|---|-------------------------------------|------------------------|
| 1. Alavanca do interruptor | 6. Porca de fixação | 13. Conector |
| 2. Manípulo de ajuste | 7. Pega lateral (manípulo auxiliar) | 14. Branco |
| 3. Lâmpada de indicação de ligado (verde) | 8. Haste da broca | 15. Preto |
| 4. Lâmpada de indicação de serviço (vermelho) | 9. Lubrificante para brocas | 16. Chave de parafusos |
| 5. Pega lateral em D | 10. Tampa de libertação | 17. Tampa da manivela |
| | 11. Anel de mudança | 18. Massa lubrificante |
| | 12. Parafusos | |

ESPECIFICAÇÕES

Modelo	HM1111C	HM1101C
Sopros por minuto	1.100 - 2.650 min ⁻¹	
Comprimento total	528 mm	528 mm
Peso líquido com pega lateral em D	8,0 kg	7,3 kg
Peso líquido com o apoio lateral	7,8 kg	7,2 kg
Classe de segurança	II/II	

- Devido à pesquisa e desenvolvimento constantes, estas especificações estão sujeitas a alteração sem aviso prévio.
- Estas especificações podem diferir de país para país.
- Peso de acordo com procedimento EPTA de 01/2003

Utilização prevista ENE045-1

Esta ferramenta destina-se a trabalhos de cinzelamento em cimento, tijolo, pedra e asfalto, bem como para accionar e compactar utilizando acessórios adequados.

Fonte de alimentação ENF002-1

A ferramenta apenas deve ser ligada a uma fonte de alimentação da mesma tensão que a indicada na chapa de especificações, e apenas pode funcionar com uma alimentação CA monofásica. Estão blindadas duplamente, de acordo com a Norma Europeia e podem, assim, ser igualmente ligadas a tomadas sem fio terra.

Avisos gerais de segurança para ferramentas eléctricas GEA010-1

⚠ AVISO Leia todos os avisos de segurança e todas as instruções. O não cumprimento dos avisos e instruções pode resultar na ocorrência de choques eléctricos, incêndios e/ou ferimentos graves.

Guarde todos os avisos e instruções para referência futura.

AVISOS DE SEGURANÇA DO MARTELO GEB004-6

1. **Use protecção para os ouvidos.** A exposição ao ruído pode provocar a perda de audição.
2. **Utilize a(s) pega(s) auxiliar(es) fornecida(s) com a ferramenta.** A perda de controlo pode provocar ferimentos pessoais.
3. **Quando executar operações em que acessórios de corte possam entrar em contacto com fios eléctricos ocultos ou com próprio cabo eléctrico da ferramenta, tenha o cuidado de tocar apenas nas superfícies isoladas desses acessórios.** O acessório de corte em contacto com um fio eléctrico ligado à corrente pode electrificar as peças de metal da ferramenta e provocar um choque.
4. **Use um capacete de segurança, óculos de protecção e/ou visor de protecção.** Os óculos normais ou óculos de sol **NÃO** são óculos de segurança. É igualmente recomendável que use uma máscara de pó e luvas forradas grossas.
5. **Certifique-se que a broca fixa no lugar antes de a utilizar.**
6. **Em funcionamento normal, a ferramenta está concebida para produzir vibrações.** Os parafusos podem soltar-se facilmente, podendo provocar danos ou um acidente. Verifique se os parafusos estão bem apertados antes de utilizar o aparelho.
7. **Em tempo frio ou quando a ferramenta não for usada durante muito tempo, deixe-a arrefecer durante um bocadinho antes de a utilizar sem carga. Isto melhora a lubrificação. Sem um arrefecimento correcto, o processo de martelagem pode tornar-se difícil.**
8. **Procure uma posição em pé estável e firme.** Se utilizar a ferramenta em locais altos, verifique se não há ninguém por baixo.
9. **Segure a ferramenta com firmeza, com as duas mãos.**
10. **Afaste as mãos das peças em movimento.**
11. **Não abandone a ferramenta a funcionar. Ponha-a a funcionar apenas quando estiver a segurá-la.**
12. **Não aponte a ferramenta a ninguém quando a estiver a utilizar.** A broca pode soltar-se e ferir alguém seriamente.
13. **Não toque numa broca nem nos seus componentes logo após a operação porque podem estar demasiado quentes.**
14. **Não utilize a ferramenta sem carga, sem ser necessário.**
15. **Alguns materiais contêm químicos que podem ser tóxicos.** Tenha cuidado para evitar a inalação e o contacto da pele com o pó produzido. Obedeça às

instruções de segurança do fornecedor do material.

GUARDE ESTAS INSTRUÇÕES.

⚠️ AVISO:

NÃO deixe que o progressivo à vontade com o produto (resultante de uma utilização frequente) o faça esquecer o estrito cumprimento das regras de segurança de utilização do produto. **A UTILIZAÇÃO INCORRECTA** ou o não cumprimento das regras de segurança fornecidas neste manual de instruções podem provocar ferimentos graves.

DESCRIÇÃO DO FUNCIONAMENTO

⚠️ PRECAUÇÃO:

- Certifique-se sempre de que a ferramenta está desligada no interruptor e da tomada antes de proceder a ajustes ou testes à mesma.

O gatilho/interruptor (Fig. 1)

⚠️ PRECAUÇÃO:

- Antes de inserir a ficha da ferramenta na tomada, nunca se esqueça de verificar se a ferramenta está desligada.
- O interruptor pode ser bloqueado na posição "ON" para um maior conforto do operador durante uma utilização prolongada. Tenha cuidado quando bloquear a ferramenta na posição "ON" e segure bem a ferramenta.

Para ligar a ferramenta, empurre a alavanca do interruptor para "ON (I)" no lado esquerdo da ferramenta. Para desligar a ferramenta, empurre a alavanca do interruptor para "OFF (O)" no lado direito da ferramenta.

Alteração da velocidade (Fig. 2)

Os sopros por minuto podem ser ajustados rodando o manípulo de ajuste. Isto pode ser feito mesmo com a ferramenta em funcionamento. O manípulo está marcado de 1 (velocidade mínima) a 5 (velocidade máxima). Consulte a tabela em baixo para a verificar a relação entre a definição dos números no manípulo de regulação e os sopros por minuto.

Número no manípulo de ajuste	Sopros por minuto
5	2.650
4	2.400
3	1.750
2	1.300
1	1.100

⚠️ PRECAUÇÃO:

- O manípulo de regulação da velocidade apenas pode ser rodado até 5 ou 1. Não o force para lá de 5 ou 1, caso contrário a função de regulação da velocidade poderá deixar de funcionar.

Apenas para o modelo HM1111C

NOTA:

- Os impactos em sem carga por minuto tornam-se mais pequenos do que aqueles com carga, para reduzir as vibrações no modo sem carga, mas tal não significa uma avaria. Assim que o funcionamento inicia com uma broca contra o cimento, os sopros por minuto aumentam e atingem os números como mostrado na tabela. Quando a temperatura está baixa e existe menos fluidez na massa lubrificante, a ferramenta pode não ter esta função mesmo com o motor a rodar.

Lâmpada indicadora (Fig. 3)

A lâmpada indicadora verde de alimentação ligada, acende-se quando a ferramenta é ligada à tomada. Se a lâmpada indicadora não se acender, o cabo de alimentação ou controlador podem estar avariados. Se a lâmpada indicadora se acender mas a ferramenta não se iniciar, mesmo que a ferramenta seja ligada, as escovas de carvão poderão estar gastas ou o motor ou interruptor podem estar avariados.

A lâmpada vermelha indicadora de serviço pisca quando as escovas de carvão estão quase gastas, para indicar que a ferramenta precisa de manutenção. Depois de aproximadamente 8 horas de uso, o motor desliga-se automaticamente.

MONTAGEM

⚠️ PRECAUÇÃO:

- Certifique-se sempre de que a ferramenta está desligada no interruptor e da tomada antes de efectuar qualquer trabalho na mesma.

Pega lateral (manípulo auxiliar)

Para ferramenta com pega lateral em D (Fig. 4)

A pega lateral pode ser movimentada a 360° na vertical e assegurar qualquer posição desejada. Também assegura oito posições diferentes para a frente e para trás na horizontal. Solte a porca de fixação para movimentar a pega lateral para a posição que pretender. Depois aperte a porca de fixação com segurança.

Para ferramenta com pega lateral do tipo pau (Fig. 5)

O apoio lateral move-se para o outro lado, permitindo um fácil manuseamento da ferramenta em qualquer posição. Solte a pega lateral rodando-a no sentido contrário aos ponteiros do relógio, mova-a para a posição desejada e depois aperte-a rodando-a no sentido dos ponteiros do relógio.

Instalar ou retirar a broca (Fig. 6)

Limpe a haste da broca e aplique lubrificante na broca antes de a instalar.

Introduza a broca na ferramenta. Gire a broca e empurre-a até encaixar. (Fig. 7)

Se não a conseguir empurrar, retire-a. Puxe a tampa de libertação para baixo várias vezes. E introduza a broca novamente. Gire a broca e empurre-a até encaixar.

(Fig. 8)

Após instalar, certifique-se sempre de que a broca está bem fixa, tentando puxá-la para fora. (Fig. 9)

Para retirar a broca, puxe a tampa de libertação para baixo completamente e retire a broca.

Ângulo da broca (Fig. 10 e 11)

A broca pode ser encaixada em 12 ângulos diferentes. Para alterar o ângulo da broca, deslize o anel de mudança para a frente, de seguida rode o anel de mudança para alterar o ângulo da broca. No ângulo pretendido, deslize o anel de mudança para trás para a posição original. A broca ficará em posição.

NOTA:

- O anel de mudança não consegue rodar quando a broca não está instalada na ferramenta.

FUNCIONAMENTO

Desbastar/Desencrostar/Demolir (Fig. 12 e 13)

Utilize sempre a pega lateral em D ou apoio lateral (pega auxiliar) e segure bem a ferramenta através da pega lateral em D ou apoio lateral e mude a pega durante as operações. Ligue a ferramenta e aplique uma ligeira pressão na ferramenta, de forma a que a ferramenta não saite descontrolada. Premir a ferramenta com muita força não aumentará a eficiência.

MANUTENÇÃO

⚠️ PRECAUÇÃO:

- Certifique-se sempre de que a ferramenta está desligada no interruptor e da tomada antes de inspeccionar ou fazer a manutenção da ferramenta.
- Nunca utilize gasolina, benzina, diluente, álcool ou semelhante. Podem formar-se descolorações, deformações ou fissuras.

Lubrificação

⚠️ PRECAUÇÃO:

- Este serviço deve ser realizado apenas pelos Centros de Serviço Autorizados da Makita.

Esta ferramenta não necessita de lubrificação constante ou diária pois tem um sistema de lubrificação integrado. Deve ser lubrificado sempre que as escovas de carvão sejam substituídas. Envie a ferramenta completa para um centro de assistência autorizado Makita para efectuar este serviço de lubrificação. (Fig. 14)

Ligue a ferramenta durante alguns minutos para a aquecer. Desligue-a e retire a ficha da tomada.

Solte os seis parafusos e remova a pega. Note que os parafusos do topo são diferentes dos outros. (Fig. 15) Desligue o conector puxando-o. (Fig. 16)

Solte os cinco parafusos na cobertura da manivela e retire a tampa da manivela. (Fig. 17)

Limpe o lubrificante antigo no interior e substitua-o por lubrificante novo (30 g). Use apenas lubrificante genuíno para martelos Makita (acessório opcional). Se encher com mais do que a quantidade de lubrificante especificada (aprox. 30 g) pode danificar o funcionamento do martelo ou da ferramenta. Encha apenas com a quantidade de lubrificante especificada.

⚠️ PRECAUÇÃO:

- Tenha cuidado para não danificar o conector ou os fios, principalmente quando retirar o lubrificante usado. Para montar a ferramenta, siga o procedimento inverso de desmontagem.

⚠️ PRECAUÇÃO:

- Não aperte demasiado a tampa da manivela. É feito de resina e está sujeito a ruptura.
- Tenha cuidado para não danificar o conector ou os fios, principalmente quando instalar a pega. (Fig. 18) Ligue o conector com firmeza e reinstale a pega.

Para manter os níveis de SEGURANÇA e FIABILIDADE, as reparações, inspecção e substituição das escovas de carvão e outras operações de manutenção ou ajuste devem ser executadas por centros de assistência Makita autorizados e, no caso de substituição de peças, estas devem ser igualmente peças originais Makita.

ACESSÓRIOS

⚠️ PRECAUÇÃO:

- Os seguintes acessórios ou extensões são os recomendados para utilizar com a ferramenta Makita especificada neste manual. A utilização de outros acessórios ou extensões podem provocar ferimentos. Utilize cada acessório ou extensão apenas para o fim indicado.

Se precisar de informações adicionais relativas aos acessórios, contacte o centro local de assistência Makita.

- Punção (SDS-máx)
- Cinzel (SDS-máx)
- Cinzel de desbaste (SDS-máx)
- Cinzel de barro (SDS-máx)
- Lubrificante para brocas
- Óculos protectores
- Lubrificante para o martelo
- Saco de transporte de plástico

Ruído

ENG905-1

Os níveis acústicos ponderados A típicos foram determinados segundo a EN60745:

Modelo HM1111C

Nível de pressão sonora (L_{pA}): 88 dB (A)

Nível de potência sonora (L_{WA}): 99 dB (A)

Imprecisão (K): 3 dB (A)

Modelo HM1101C

Nível de pressão sonora (L_{pA}): 90 dB (A)

Nível de potência sonora (L_{WA}): 101 dB (A)

Incerteza (K): 3 dB (A)

Use protecção para os ouvidos.

Vibração

ENG900-1

O valor total da vibração (soma triaxial de vectores) foi determinado segundo a EN60745:

Modelo HM1111C

Modo de trabalho: função esculpir com a pega lateral

Emissão de vibração ($a_{h,ChEq}$): 7,5 m/s²

Incerteza (K): 1,5 m/s²

Modo de trabalho: função esculpir com o apoio lateral

Emissão de vibração ($a_{h,ChEq}$): 8,0 m/s²

Incerteza (K): 1,5 m/s²

Modelo HM1101C

Modo de trabalho: função esculpir com a pega lateral

Emissão de vibração ($a_{h,CHeq}$): 13,5 m/s²

Imprecisão (K): 2,0 m/s²

Modo de trabalho: função esculpir com o apoio lateral

Emissão de vibração ($a_{h,CHeq}$): 13,5 m/s²

Incerteza (K): 1,5 m/s²

ENG901-1

- O valor da emissão de vibração declarado foi medido de acordo com o método de teste padrão e pode ser utilizado para comparar uma ferramenta com outra.
- O valor da emissão de vibração declarado pode também ser utilizado numa avaliação preliminar de exposição.

AVISO:

- A emissão de vibração durante a utilização real da ferramenta eléctrica pode ser diferente do valor de emissão declarado, dependendo da forma como a ferramenta é utilizada.
- Certifique-se de que identifica medidas de segurança, para proteger o operador, que são baseadas numa estimativa de exposição nas condições reais de utilização (tendo em conta todas as partes do ciclo de funcionamento, como as vezes que a ferramenta é desligada e quando está a trabalhar ao ralenti, além do tempo de utilização).

Apenas para os países europeus

ENH101-14

Declaração de conformidade CE

A Makita Corporation, na qualidade do fabricante responsável, declara que a(s) máquina(s) Makita seguinte(s):

Designação da máquina:

Martelo Demolidor

N.º de modelo/Tipo: HM1111C, HM1101C

são produzidas em série e

estão em conformidade com as Directivas Europeias seguintes:

2006/42/EC

E são fabricadas de acordo com as normas ou os documentos padronizados seguintes:

EN60745

A documentação técnica é mantida pelo nosso representante autorizado na Europa, que é:

Makita International Europe Ltd.,

Michigan Drive, Tongwell,

Milton Keynes, MK15 8JD, Inglaterra

9.11.2009



Tomoyasu Kato

Director

Makita Corporation

3-11-8, Sumiyoshi-cho,

Anjo, Aichi, JAPAN

DANSK (Originalvejledning)

Forklaring til generel oversigt

- | | | |
|------------------------------------|------------------------------|------------------|
| 1. Kontaktarm | 7. Sidegreb (ekstra håndtag) | 13. Stik |
| 2. Drejeknap til justering | 8. Værktøjsskaft | 14. Hvid |
| 3. Indikatorlampe for strøm (grøn) | 9. Smøremiddel til bits | 15. Sort |
| 4. Serviceindikatorlampe (rød) | 10. Frigørelsesdæksel | 16. Skruetrækker |
| 5. D-formet sidehåndtag | 11. Skiftering | 17. Krumtaphus |
| 6. Spændemøtrik | 12. Skruer | 18. Fedtstof |

SPECIFIKATIONER

Model	HM1111C	HM1101C
Slag pr. minut	1.100 - 2.650 min ⁻¹	
Længde i alt	528 mm	528 mm
Nettovægt med D-formet sidehåndtag	8,0 kg	7,3 kg
Nettovægt med sidegreb	7,8 kg	7,2 kg
Sikkerhedsklasse	II/II	

- På grund af vores løbende forsknings- og udviklingsprogram kan specifikationerne heri ændres uden forudgående varsel.
- Specifikationerne kan variere fra land til land.
- Vægt i henhold til EPTA-procedure 01/2003

Tilsigtet brug

ENE045-1

Værktøjet er beregnet til sejlsingsarbejde i beton, mursten, sten og asfalt samt til gravning og komprimering med det korrekte tilbehør.

Strømforsyning

ENF002-1

Værktøjet bør kun sluttes til en strømforsyning med den spænding, der er angivet på mærkepladen, og det kan kun benyttes med enkeltfaset vekselstrøm. Det er dobbelt isoleret i overensstemmelse med europæisk standard og kan derfor også sluttes til stikkontakter uden jordforbindelse.

Generelle sikkerhedsadvarsler for maskiner

GEA010-1

⚠ ADVARSEL Læs alle sikkerhedsadvarsler og alle instruktioner. Hvis De ikke følger alle advarsler og instruktioner, kan det medføre elektrisk stød, brand og/eller alvorlig personskade.

Gem alle advarsler og instruktioner til senere reference.

SIKERHEDSADVARSLER FOR HAMRING

GEB004-6

1. **Bær høreværn.** Udsættelse for støj kan medføre høreskader.
2. **Benyt de ekstra håndtag, der eventuelt leveres med værktøjet.** Hvis du mister kontrollen, kan du komme til skade.
3. **Hold maskinen på de isolerede gribeplader, når du udfører arbejde, hvor det skærende tilbehør kan komme i kontakt med skjulte ledninger eller maskinens egen ledning.** Hvis det skærende tilbehør kommer i kontakt med en strømførende ledning, kan udsatte metaldele på maskinen blive strømførende, hvorved operatøren kan få elektrisk stød.
4. **Bær hård hovedbeklædning (sikkerhedshjelm), beskyttelsesbriller og/eller ansigtsmaske.** Almindelige briller eller solbriller er IKKE beskyttelsesbriller. Det anbefales desuden kraftigt at bære støvmaske og kraftigt polstrede handsker.
5. **Kontroller, at bittens sidder godt fast før brug.**
6. **Værktøjet er designet til at forårsage vibration ved normal brug.** Skruer kan nemt løse sig og medføre et nedbrud eller en ulykke. Kontroller før brug, at skruerne sidder stramt.
7. **Under kolde forhold, eller når værktøjet ikke har været anvendt i længere tid, skal du lade værktøjet varme op et stykke tid ved at lade det køre i tomgang.** Derved løsnes smøremidlet. Uden korrekt opvarmning kan betjening af hammeren være vanskelig.
8. **Sørg altid for at have et solidt fodfæste.** Sørg for, at der ikke er nogen under dig, når du benytter værktøjet på højtliggende steder.
9. **Hold godt fast i værktøjet med begge hænder.**
10. **Hold hænderne på afstand af bevægelige dele.**
11. **Gå ikke fra værktøjet, mens det kører.** Lad kun værktøjet køre, mens du holder det i hænderne.
12. **Ret ikke værktøjet mod personer i nærheden, mens det kører.** Bitten kan flyve ud og forårsage alvorlig personskade.
13. **Berør ikke bittens eller dele i nærheden af bittens umiddelbart efter brugen.** De kan være meget varme og kan forårsage forbrændinger af huden.
14. **Kør ikke værktøjet mere end nødvendigt uden belastning.**
15. **Nogle materialer indeholder kemikalier, som kan være giftige.** Sørg for, at forhindre indånding af støv og kontakt med huden. Følg materialeleverandørens sikkerhedsdata.

GEM DISSE INSTRUKTIONER.

⚠ ADVARSEL:

LAD IKKE tryghed eller kendskab til produktet (fra gentagen brug) føre til, at du ikke strengt overholder sikkerhedsreglerne for det gældende produkt. MISBRUG eller manglende overholdelse af sikkerhedsreglerne i denne brugsanvisning kan medføre alvorlig personskade.

FUNKTIONSBESKRIVELSE

⚠ FORSIGTIG:

- Sørg altid for, at værktøjet er slukket, og at stikket er taget ud af stikkontakten, før du justerer værktøjet eller kontrollerer dets funktion.

Betjening af afbryderkontakt (Fig. 1)

⚠ FORSIGTIG:

- Kontroller altid, at der er slukket for værktøjet, før det sluttes til stikkontakten.
- Kontakten kan læses i "ON"-positionen for at gøre det nemmere for brugeren ved længere tids brug af værktøjet. Vær forsigtig når du læser værktøjet i "ON"-positionen og hold godt fast på værktøjet.

For at starte værktøjet skal du trykke på kontakten "ON (I)" på den venstre side af værktøjet. For at stoppe værktøjet skal du trykke på kontakten "OFF (O)" på den højre side af værktøjet.

Ændring af hastigheden (Fig. 2)

Antallet af slag pr. minut kan justeres ved at dreje på drejeknappen. Det kan gøres, selvom værktøjet kører. Drejeknappen har mærker fra 1 (laveste hastighed) til 5 (fuld hastighed).

Se i tabellen nedenfor for sammenhængen mellem talindstillingerne på drejeknappen og antallet af slag pr. minut.

Nummer på drejeknappen	Slag pr. minut
5	2.650
4	2.400
3	1.750
2	1.300
1	1.100

⚠ FORSIGTIG:

- Drejeknappen til hastighedsjustering kan kun drejes op til 5 og tilbage til 1. Prøv ikke at tvinge den forbi 5 eller 1, da hastighedsjusteringen ellers kan gå i stykker.

Gælder kun for model HM1111C

BEMÆRK:

- Antallet af slag pr. minut ved ingen belastning bliver mindre end ved belastning for at reducere vibrationen, når der ikke er nogen belastning, men dette er ikke et tegn på en fejl. Når først operationen starter med en bit i kontakt med betonen, stiger antallet af slag pr. minut, og der opnås de tal, der er vist i tabellen. Når temperaturen er lav og smørelsen er mindre flydende, fungerer værktøjet muligvis ikke på denne måde, selv om motoren roterer.

Indikatorlampe (Fig. 3)

Den grønne indikatorlampe for strøm lyser, når værktøjet er sat i stikkontakten. Hvis indikatorlampen ikke tændes, er netledningen eller kontrollen muligvis defekte. Hvis indikatorlampen lyser, men værktøjet ikke starter, selvom der er tændt for værktøjet, er kulbørsterne muligvis slidt ned, eller motoren eller tænd/sluk-kontakten kan være defekt.

Den røde serviceindikatorlampe lyser, når kulbørsterne er ved at være slidt ned, for at angive at der skal udføres service på værktøjet. Der slukkes automatisk for motoren efter cirka 8 timers brug.

MONTERING

⚠ FORSIGTIG:

- Sørg altid for, at værktøjet er slukket og taget ud af stikkontakten, før du udfører nogen form for arbejde på værktøjet.

Sidehåndtag (ekstra håndtag)

Til værktøj med D-formet sidehåndtag (Fig. 4)

Sidehåndtaget kan svinges 360° rundt i den lodrette retning og fastgøres på enhver ønsket position. Det kan også fastgøres på otte forskellige positioner frem og tilbage i den vandrette retning. Du skal blot løsne spændemøtrikken for at dreje sidehåndtaget hen på den ønskede position. Spænd derefter spændemøtrikken ordentligt.

Til værktøj med lige sidehåndtag (Fig. 5)

Sidegrebet kan svinges til begge sider, så det er let at betjene værktøjet i enhver stilling. Løs sidegrebet ved at dreje det mod uret, vend det til den ønskede position og stram det derefter ved at dreje det med uret.

Montering eller afmontering af bitten (Fig. 6)

Rengør værktøjsskafet, og smør fedtstof på det, før bitten monteres.

Sæt bitten i værktøjet. Drej bitten, og tryk den ind, indtil den går i indgreb. (Fig. 7)

Hvis bitten ikke kan trykkes ind, skal den tages ud. Træk frigørelsesdækslet ned et par gange. Sæt derefter bitten i igen. Drej bitten, og tryk den ind, indtil den går i indgreb. (Fig. 8)

Efter montering skal du altid sikre dig, at bitten sidder godt fast, ved at forsøge at trække den ud. (Fig. 9)

For at udtage bitten skal frigørelsesdækslet trækkes helt ned, hvorefter bitten fjernes.

Bitvinkel (Fig. 10 og 11)

Bitten kan fastgøres i 12 forskellige vinkler. Bitvinklen ændres ved at skyde skifteringen fremad og derefter dreje den for at ændre bitvinklen. Når den ønskede vinkel nås, skydes skifteringen tilbage til dens oprindelige position. Bitten fastgøres sikkert.

BEMÆRK:

- Skifteringen kan ikke drejes, når bitten ikke er monteret på værktøjet.

BETJENING

Mejsling/afbankning/nedrivning (Fig. 12 og 13)

Anvend altid det D-formede sidehåndtag eller sidegreb (ekstrahåndtag) og hold godt fast på værktøjet vha. både det D-formede sidehåndtag eller sidegreb og kontakthåndtaget under anvendelsen. Tænd for værktøjet, og tryk let på værktøjet, så det ikke kommer ud af kontrol. Effektiviteten forøges ikke ved at trykke meget hårdt på værktøjet.

VEDLIGEHOLDELSE

⚠ FORSIGTIG:

- Sørg altid for, at værktøjet er slukket, og at stikket er taget ud, før du udfører inspektion eller vedligeholdelse.
- Brug aldrig benzin, benzen, fortynder, alkohol eller lignende. Det kan muligvis medføre misfarvning, deformation eller revner.

Smøring

⚠ FORSIGTIG:

- Denne service bør kun udføres af autoriserede Makita-servicecentre.

Værktøjet kræver ikke smøring hver time eller hver dag, da det har et indbygget smøringssystem. Det skal smøres hver gang kulbørsterne udskiftes. Send hele værktøjet til et autoriseret Makita-servicecenter for at få det smurt.

(Fig. 14)

Lad værktøjet køre i flere minutter for at varme det op.

Sluk for værktøjet, og tag stikket ud af stikkontakten.

Løsn de seks skruer, og afmonter håndtaget. Bemærk, at de øverste skruer er forskellige fra de andre skruer.

(Fig. 15)

Tag stikket ud ved at trække i det. (Fig. 16)

Løsn de fem skruer på krumtappen og fjern krumtappen.

(Fig. 17)

Tør det gamle smøremiddel i huset bort, og udskift med frisk smøremiddel (30 g). Brug kun ægte Makita-hammerfedtstof (fås som tilbehør). Hvis der påfyldes mere end den angivne mængde fedtstof (cirka 30 g), kan det medføre forkert hammerfunktion, eller at værktøjet slet ikke fungerer. Påfyld kun den angivne mængde smøremiddel.

⚠ FORSIGTIG:

- Pas på ikke at beskadige stikket eller ledningerne, især når du tørrer det gamle smøremiddel bort.

Følg fremgangsmåden til afmontering i omvendt rækkefølge for at samle værktøjet igen.

⚠ FORSIGTIG:

- Undlad at stramme kruptapdækslet for hårdt. Det er fremstillet af plastik og kan gå i stykker.
- Pas på ikke at beskadige stikket eller ledningerne, især når du monterer håndtaget igen. (Fig. 18)

Sæt stikket fast i, og monter håndtaget igen. For at holde produktet SIKKERT og PÁLIDELIGT skal reparationer, kontrol og udskiftning af kulbørsterne samt al anden vedligeholdelse eller justering udføres af autoriserede Makita-servicecentre, der altid benytter Makita-reservedele.

TILBEHØR

⚠ FORSIGTIG:

- Dette tilbehør eller ekstraudstyr anbefales til brug med det Makita-værktøj, som er beskrevet i denne brugsanvisning. Brug af andet tilbehør eller ekstraudstyr kan forårsage personskade. Brug kun tilbehør eller ekstraudstyr til det formål, det er beregnet til.

Henvend dig til din lokale Makita-servicecenter, hvis du har brug for hjælp eller yderligere oplysninger vedrørende tilbehøret.

- Spidsmejsel (SDS-max)
- Fladmejsel (SDS-max)
- Bredmejsel (SDS-max)
- Spademejsel (SDS-max)
- Smøremiddel til bits
- Sikkerhedsbriller
- Hammerfedtstof
- Plastikbæretaske

Støj

Det typiske A-vægtede støjniveau bestemt i overensstemmelse med EN60745:

ENG905-1

Model HM1111C

Lydtrykniveau (L_{pA}): 88 dB (A)

Lydeffektivniveau (L_{WA}): 99 dB (A)

Usikkerhed (K): 3 dB (A)

Model HM1101C

Lydtrykniveau (L_{pA}): 90 dB (A)

Lydeffektivniveau (L_{WA}): 101 dB (A)

Usikkerhed (K): 3 dB (A)

Bær høreværn.

Vibration

Den samlede vibrationsværdi (treksiel vektorsum)

ENG900-1

bestemt i overensstemmelse med EN60745:

Model HM1111C

Arbejdstilstand: mejsling med sidehåndtag

Vibrationsemission ($a_{n,CHeq}$): 7,5 m/s²

Usikkerhed (K): 1,5 m/s²

Arbejdstilstand: mejsling med sidegreb

Vibrationsemission ($a_{n,CHeq}$): 8,0 m/s²

Usikkerhed (K): 1,5 m/s²

Model HM1101C

Arbejdstilstand: mejsling med sidehåndtag

Vibrationsemission ($a_{n,CHeq}$): 13,5 m/s²

Usikkerhed (K): 2,0 m/s²

Arbejdstilstand: mejsling med sidegreb

Vibrationsemission ($a_{n,CHeq}$): 13,5 m/s²

Usikkerhed (K): 1,5 m/s²

ENG901-1

- Den opgivne vibrationsemissionsværdi er målt i overensstemmelse med standardtestmetoden og kan bruges til at sammenligne et værktøj med et andet.
- Den opgivne vibrationsemissionsværdi kan muligvis også bruges til en indledende eksponeringsvurdering.

⚠ ADVARSEL:

- Vibrationsemissionen under den faktiske brug af maskinen kan afvige fra den opgivne emissionsværdi afhængigt af den måde, maskinen anvendes på.

- Sørg for at bestemme sikkerhedsforanstaltninger for beskyttelse af operatøren, som er baseret på en eksponeringsvurdering for brug under faktiske forhold (hvor alle anvendelsescyklussens dele inddrages, som f.eks. antal gange maskinen slukkes, og når den kører i tomgang ud over triggertiden).

Kun for europæiske lande

ENH101-14

EF-overensstemmelseserklæring

Vi, Makita Corporation, erklærer som ansvarlig producent at følgende Makita-maskine(r):

Maskinens betegnelse:

Opbrydningshammer

Modelnummer/ type: HM1111C, HM1101C

er en produktionsserie og

Overholder følgende europæiske direktiver:

2006/42/EF

Og er produceret i overensstemmelse med følgende standarder eller standardiserede dokumenter:

EN60745

Den tekniske dokumentation findes hos vores

autoriserede repræsentant i Europa:

Makita International Europe Ltd.,

Michigan Drive, Tongwell,

Milton Keynes, MK15 8JD, England

9.11.2009



Tomoyasu Kato

Direktør

Makita Corporation

3-11-8, Sumiyoshi-cho,

Anjo, Aichi, JAPAN

ΕΛΛΗΝΙΚΑ (Πρωτογενείς οδηγίες)

Γενική περιγραφή

- | | | |
|--|--|---------------------|
| 1. Μοχλός διακόπτης | 6. Παξιμάδι σφιγκτήρα | 12. Βίδες |
| 2. Επιλογέας ρύθμισης | 7. Πλευρική λαβή (βοηθητική χειρολαβή) | 13. Συνδετήρας |
| 3. Ενδεικτική λυχνία ΕΝΕΡΓΟΠΟΙΗΣΗΣ (πράσινη) | 8. Κολάρο μύτης | 14. Λευκό |
| 4. Ενδεικτική λυχνία συντήρησης (κόκκινη) | 9. Γράσο για μύτες | 15. Μαύρο |
| 5. Πλευρική χειρολαβή σχήματος D | 10. Κάλυμμα απελευθέρωσης | 16. Καταβίδι |
| | 11. Δακτύλιος αλλαγής | 17. Καπάκι στροφάλο |
| | | 18. Γράσο |

ΠΡΟΔΙΑΓΡΑΦΕΣ

Μοντέλο	HM1111C	HM1101C
Κρούσεις το λεπτό	1.100 - 2.650 min ⁻¹	
Ολικό μήκος	528 mm	528 mm
Καθαρό βάρος με την πλευρική χειρολαβή σχήματος D	8,0 kg	7,3 kg
Καθαρό βάρος με τη πλευρική λαβή	7,8 kg	7,2 kg
Τάξη ασφάλειας	II/II	

- Λόγω του συνεχόμενου προγράμματος που εφαρμόζουμε για έρευνα και ανάπτυξη, τα τεχνικά χαρακτηριστικά στο παρόν έντυπο υπόκεινται σε αλλαγή χωρίς προειδοποίηση.
- Τα τεχνικά χαρακτηριστικά ενδέχεται να διαφέρουν ανάλογα με τη χώρα.
- Βάρος σύμφωνα με τη διαδικασία ΕΡΤΑ 01/2003

Προοριζόμενη χρήση ENF045-1
Το εργαλείο προορίζεται για καλέμισμα σε τσιμέντο, τούβλα, πέτρα και άσφαλτο, καθώς και για βίδωμα και συμπίσση με τα κατάλληλα εξαρτήματα.

Ηλεκτρική παροχή ENF002-1
Το εργαλείο πρέπει να συνδέεται μόνο σε ηλεκτρική παροχή της ίδιας τάσης με αυτήν που αναγράφεται στην πινακίδα ονομαστικών τιμών και μπορεί να λειτουργήσει μόνο με εναλλασσόμενο μονοφασικό ρεύμα. Τα εργαλεία αυτά διαθέτουν διπλή μόνωση που συμμορφώνεται με τα ευρωπαϊκά πρότυπα και συνεπώς μπορούν να συνδεθούν με πρίζες χωρίς γείωση.

Γενικές Προειδοποιήσεις Ασφαλείας Του Ηλεκτρικού Εργαλείου

GEA010-1

⚠ ΠΡΟΕΙΔΟΠΟΙΗΣΗ Διαβάστε όλες τις προειδοποιήσεις ασφαλείας και όλες τις οδηγίες. Αν δεν ακολουθήσετε όλες τις προειδοποιήσεις και τις οδηγίες, υπάρχει κίνδυνος ηλεκτροπληξίας, πυρκαγιάς ή/και σοβαρού τραυματισμού.

Φυλάξτε όλες τις προειδοποιήσεις και τις οδηγίες για μελλοντική αναφορά.

ΠΡΟΕΙΔΟΠΟΙΗΣΕΙΣ ΑΣΦΑΛΕΙΑΣ ΤΗΣ ΣΦΥΡΑΣ

GEB004-6

1. **Να φοράτε ωτοασπίδες.** Η έκθεση σε θόρυβο μπορεί να προκαλέσει απώλεια ακοής.
2. **Να χρησιμοποιείτε τη βοηθητική λαβή(ες), εάν παρέχονται με το εργαλείο.** Η απώλεια του ελέγχου μπορεί να προκαλέσει προσωπικό τραυματισμό.

3. **Να κρατάτε το ηλεκτρικό εργαλείο από τις μονωμένες λαβές όταν εκτελείτε εργασίες κατά τις οποίες το κοπτικό εξάρτημα μπορεί να έρθει σε επαφή με μη ορατά καλώδια ή με το δικό του καλώδιο τροφοδοσίας.** Αν το κοπτικό εξάρτημα έρθει σε επαφή με κάποιο ηλεκτροφόρο καλώδιο, τα εκτεθειμένα μεταλλικά μέρη του ηλεκτρικού εργαλείου θα γίνουν κι αυτά ηλεκτροφόρα και μπορεί να προκληθεί ηλεκτροπληξία στο χειριστή.
4. **Να φοράτε ένα σκληρό καπέλο (κράνος ασφάλειας), γυαλιά ασφάλειας ή/και προσωπίδα.** Τα συνηθισμένα γυαλιά ή τα γυαλιά ηλίου ΔΕΝ αποτελούν γυαλιά ασφάλειας. Συνιστάται επίσης ένθερμα να φοράτε προσωπίδα κατά της σκόνης και γάντια με παχιά επένδυση.
5. **Πριν θέσετε το εργαλείο σε λειτουργία, βεβαιωθείτε ότι το τρυπάνι είναι ασφαλισμένο στη θέση του.**
6. **Σε κανονικές συνθήκες λειτουργίας, το εργαλείο είναι σχεδιασμένο να παράγει κραδασμούς.** Οι βίδες μπορούν εύκολα να ξεβιδωθούν και να προκληθεί βλάβη του εργαλείου ή ατύχημα. Πριν θέσετε το εργαλείο σε λειτουργία, ελέγξτε αν οι βίδες είναι σφιγμένες.
7. **Όταν έχει κρύο καιρό ή όταν δεν έχετε χρησιμοποιήσει το εργαλείο για μεγάλη χρονική περίοδο, αφήστε το εργαλείο να λειτουργήσει για λίγη ώρα χωρίς φόρτο.** Με αυτό το τρόπο θα κυκλοφορήσει το λιπαντικό. Αν δεν γίνει σωστό ζέσταμα, θα υπάρχει δυσκολία στη λειτουργία σφυρηλάτησης.
8. **Να βεβαιώνετε πάντοτε ότι στέκεστε σταθερά.** Όταν χρησιμοποιείτε το εργαλείο σε υψηλές τοποθεσίες, να βεβαιώνετε ότι δεν βρίσκεται κανένας από κάτω.
9. **Να κρατάτε το εργαλείο γερά και με τα δύο χέρια.**
10. **Μην πλησιάζετε τα χέρια σας σε κινούμενα μέρη.**

11. Μην αφήνετε το εργαλείο σε λειτουργία. Το εργαλείο πρέπει να βρίσκεται σε λειτουργία μόνο όταν το κρατάτε.
12. Όταν το εργαλείο βρίσκεται σε λειτουργία, μην το στρέψετε προς την κατεύθυνση κανενός ατόμου που βρίσκεται στην περιοχή. Το τρυπάνι μπορεί να εκτοξευτεί και να προκληθεί σοβαρός τραυματισμός σε άλλο άτομο.
13. Μην αγγίζετε το τρυπάνι ή τα μέρη που βρίσκονται κοντά στο τρυπάνι αμέσως μετά τη λειτουργία του εργαλείου. Μπορεί να είναι εξαιρετικά θερμά και να προκληθεί έγκαυμα στο δέρμα σας.
14. Μη θέτετε το εργαλείο σε λειτουργία χωρίς φόρτο, αν αυτό δεν είναι απαραίτητο.
15. Μερικά υλικά περιέχουν χημικές ουσίες που μπορεί να είναι τοξικές. Να προσέχετε ώστε να αποφεύγετε την εισπνοή της σκόνης και την επαφή με το δέρμα. Ακολουθείτε τα δεδομένα ασφάλειας υλικού που παρέχονται από τον προμηθευτή.

ΦΥΛΑΞΤΕ ΑΥΤΕΣ ΤΙΣ ΟΔΗΓΙΕΣ.

⚠️ ΠΡΟΕΙΔΟΠΟΙΗΣΗ:

ΜΗΝ επιτρέψετε στη βολικότητα ή στην εξοικείωσή σας με το προϊόν (που αποκτήθηκε από επανειλημμένη χρήση) να αντικαταστήσει την αυστηρή προσήλωση στους κανόνες ασφάλειας του εν λόγω προϊόντος. Η ΛΑΝΘΑΣΜΕΝΗ ΧΡΗΣΗ ή η μη τήρηση των κανόνων ασφάλειας που διατυπώνονται στο παρόν εγχειρίδιο οδηγιών μπορεί να προκαλέσει σοβαρό τραυματισμό.

ΠΕΡΙΓΡΑΦΗ ΛΕΙΤΟΥΡΓΙΑΣ

⚠️ ΠΡΟΣΟΧΗ:

- Να βεβαιώνετε πάντοτε ότι το εργαλείο είναι σβηστό και αποσυνδεδεμένο από το ηλεκτρικό ρεύμα πριν ρυθμίσετε ή ελέγξετε κάποια λειτουργία του.

Δράση διακόπτη (Εικ. 1)

⚠️ ΠΡΟΣΟΧΗ:

- Πριν να συνδέσετε το εργαλείο, ελέγχετε πάντα να δείτε αν το εργαλείο είναι σβηστό.
- Ο διακόπτης μπορεί να κλειδώσει στην ενεργή θέση «ON» για διευκόλυνση του χειριστή κατά την παρατεταμένη χρήση. Δώστε προσοχή όταν το εργαλείο βρίσκεται κλειδωμένο στην ενεργή θέση «ON» και κρατάτε το γερά.

Για να ξεκινήσετε τη λειτουργία του εργαλείου, πατήστε το μοχλό-διακόπτη «ON (I)» στην αριστερή πλευρά του εργαλείου. Για να σταματήσετε τη λειτουργία του εργαλείου, πατήστε το μοχλό-διακόπτη «OFF (O)» στην δεξιά πλευρά του εργαλείου.

Αλλαγή ταχύτητας (Εικ. 2)

Μπορείτε να ρυθμίσετε τις κρούσεις ανά λεπτό, αν περιστρέψετε απλά τον επιλογέα ρύθμισης. Αυτό μπορεί να πραγματοποιηθεί ακόμα και κατά τη λειτουργία του εργαλείου. Ο επιλογέας είναι σημειωμένος από το 1 (χαμηλότερη ταχύτητα) έως το 5 (τελική ταχύτητα).

Για τη σχέση μεταξύ των αριθμημένων ρυθμίσεων στον επιλογέα ρύθμισης και των κρούσεων ανά λεπτό, ανατρέξτε στον παρακάτω πίνακα.

Αρίθμηση στον επιλογέα ρύθμισης	Κρούσεις το λεπτό
5	2.650
4	2.400
3	1.750
2	1.300
1	1.100

⚠️ ΠΡΟΣΟΧΗ:

- Ο επιλογέας ρύθμισης ταχύτητας έχει τη δυνατότητα να περιστρέφεται έως το 5 και ξανά στο 1. Μην τον εξαναγκάσετε πέρα από το 5 ή το 1, αλλιώς μπορεί να μη λειτουργεί πλέον η ρύθμιση ταχύτητας.

Μόνο για το μοντέλο HM1111C

ΣΗΜΕΙΩΣΗ:

- Για να ελαττωθεί ο κραδασμός όταν δεν υπάρχει φόρτος, οι κρούσεις ανά λεπτό χωρίς την ύπαρξη φόρτου γίνονται μικρότερες σε σχέση με αυτές κατά την ύπαρξη φόρτου, αυτό όμως δεν αποτελεί ένδειξη ύπαρξης προβλήματος. Όταν ξεκινήσει η λειτουργία με μια μύτη έναντι σε τσιμέντο, οι κρούσεις ανά λεπτό αυξάνονται και φτάνουν στους αριθμούς που εμφανίζονται στον παρακάτω πίνακα. Όταν η θερμοκρασία είναι χαμηλή και είναι μειωμένη η ρευστότητα του γράσου, το εργαλείο μπορεί να μην διαθέτει αυτή τη λειτουργία ακόμη και αν περιστρέφεται το μοτέρ.

Ενδεικτική λυχνία (Εικ. 3)

Όταν συνδέετε το εργαλείο στην πρίζα, ανάβει η πράσινη ενδεικτική λυχνία της ενεργής θέσης ON. Αν δεν ανάβει η ενδεικτική λυχνία, μπορεί να δυσλειτουργεί το ηλεκτρικό καλώδιο ή ο ελεγκτής. Εάν η ενδεικτική λυχνία είναι αναμμένη αλλά το εργαλείο δεν ξεκινά ακόμη και αν είναι αναμμένο, τότε μπορεί να έχουν φθαρεί τα καρβουνάκια, ή να δυσλειτουργεί ο ελεγκτής, το μοτέρ ή ο διακόπτης ON/OFF.

Η κόκκινη ενδεικτική λυχνία συντήρησης αναβοσβήνει όταν τα καρβουνάκια έχουν φθαρεί σχεδόν τελείως για να δηλώσει πως το εργαλείο χρειάζεται συντήρηση. Μετά από περίπου 8 ώρες χρήσης, το μοτέρ θα σβήσει αυτόματα.

ΣΥΝΑΡΜΟΛΟΓΗΣΗ

⚠️ ΠΡΟΣΟΧΗ:

- Να βεβαιώνετε πάντοτε ότι το εργαλείο είναι σβηστό και αποσυνδεδεμένο από το ηλεκτρικό ρεύμα πριν εκτελέσετε οποιαδήποτε εργασία σε αυτό.

Πλευρική χειρολαβή (βοηθητική χειρολαβή)

Για εργαλείο με πλευρική χειρολαβή σε σχήμα D (Εικ. 4)

Η πλευρική χειρολαβή μπορεί να περιστραφεί κατά 360° καθέτως και να ασφαλίσει σε όποια θέση θέλετε. Ασφαρίζει επίσης σε οκτώ διαφορετικές θέσεις πίσω και

μπροστά οριζοντίως. Απλά χαλαρώστε το παξιμάδι σύσφιξης για να περιστρέψετε την πλευρική χειρολαβή στη θέση που θέλετε. Έπειτα, σφίξτε καλά το παξιμάδι σύσφιξης.

Για εργαλείο με ραβδόμορφη πλευρική χειρολαβή (Εικ. 5)

Η πλευρική λαβή αιωρείται γύρω από κάθε πλευρά ώστε να επιτρέπει τον εύκολο χειρισμό του εργαλείου σε οποιαδήποτε θέση. Χαλαρώστε την πλευρική λαβή στρέφοντάς την αριστερόστροφα, περιστρέψτε τη στην επιθυμητή θέση και κατόπιν σφίξτε τη στρέφοντάς τη δεξιόστροφα.

Τοποθέτηση ή αφαίρεση της μύτης (Εικ. 6)

Καθαρίστε το κολάρο της μύτης και τοποθετήστε γράσο για μύτες πριν τοποθετήσετε τη μύτη. Τοποθετήστε τη μύτη στο εργαλείο. Περιστρέψτε τη μύτη και στρώξτε την προς τα μέσα έως ότου ασφαλίσει. (Εικ. 7)

Εάν δεν μπορείτε να στρώξετε τη μύτη προς τα μέσα, αφαιρέστε την. Τραβήξτε το κάλυμμα απελευθέρωσης προς τα κάτω μερικές φορές. Κατόπιν, τοποθετήστε ξανά τη μύτη. Περιστρέψτε τη μύτη και στρώξτε την προς τα μέσα έως ότου ασφαλίσει. (Εικ. 8)

Μετά την τοποθέτηση, να προσπαθείτε πάντοτε να τραβήξετε τη μύτη για να βεβαιωθείτε ότι αυτή είναι ασφαλισμένη στη θέση της. (Εικ. 9)

Για να αφαιρέσετε τη μύτη, τραβήξτε προς τα κάτω το κάλυμμα απελευθέρωσης έως το τέρμα και τραβήξτε τη μύτη προς τα έξω.

Γωνία της μύτης (Εικ. 10 και 11)

Μπορείτε να ασφαλίσετε τη μύτη σε 12 διαφορετικές γωνίες. Για να αλλάξετε τη γωνία της μύτης, ολισθήστε προς τα εμπρός το δακτύλιο αλλαγής και μετά στρέψτε το δακτύλιο αλλαγής για την αλλαγή της γωνίας της μύτης. Στην επιθυμητή γωνία, ολισθήστε το δακτύλιο αλλαγής πίσω στην αρχική του θέση. Η μύτη θα ασφαλίσει στη θέση της.

ΣΗΜΕΙΩΣΗ:

- Ο δακτύλιος αλλαγής δεν μπορεί να περιστραφεί εάν δεν έχει τοποθετηθεί μια μύτη στο εργαλείο.

ΛΕΙΤΟΥΡΓΙΑ

Καλέμισμα/Λάξευση/Κατεδάφιση (Εικ. 12 και 13)

Να χρησιμοποιείτε πάντα την πλευρική χειρολαβή σχήματος D ή την πλευρική λαβή (βοηθητική χειρολαβή) και, κατά τη λειτουργία, να κρατάτε το εργαλείο καλά από την πλευρική χειρολαβή σχήματος D ή την πλευρική λαβή και από τη χειρολαβή του διακόπτη. Θέστε το εργαλείο σε λειτουργία και ασκήστε ελαφριά πίεση σε αυτό για να μην αναπηδά ανεξέλεγκτα. Δεν θα αυξηθεί η αποδοτικότητα του εργαλείου αν το πιέζετε πιο δυνατά.

ΣΥΝΤΗΡΗΣΗ

⚠ ΠΡΟΣΟΧΗ:

- Να βεβαιώνετε πάντοτε ότι το εργαλείο είναι σβηστό και αποσυνδεδεμένο από το ηλεκτρικό ρεύμα πριν

εκτελέσετε οποιαδήποτε εργασία ελέγχου ή συντήρησης σε αυτό.

- Μην χρησιμοποιήσετε βενζίνη, βενζόλη, διαλυτικό, αλκοόλη ή κάτι παρόμοιο. Μπορεί να προκληθεί αποχρωματισμός, παραμόρφωση ή ρωγμές.

Λίπανση

⚠ ΠΡΟΣΟΧΗ:

- Αυτές οι εργασίες συντήρησης θα πρέπει να εκτελούνται μόνο σε Εξουσιοδοτημένο Κέντρο Εξυπηρέτησης της Makita.

Το εργαλείο αυτό δεν απαιτεί υφιαία ή καθημερινή λίπανση επειδή διαθέτει σύστημα λίπανσης με γράσο.

Όμως θα πρέπει να λιπαίνεται κάθε φορά που αντικαθίστανται τα καρβουανάκια. Για αυτήν την εργασία συντήρησης που αφορά τη λίπανση, αποστείλετε ολόκληρο το εργαλείο σε Εξουσιοδοτημένο Κέντρο Εξυπηρέτησης της Makita. (Εικ. 14)
Θέστε το εργαλείο σε λειτουργία για μερικά λεπτά για να ζεσταθεί. Σβήστε το εργαλείο και αποσυνδέστε το από το ηλεκτρικό ρεύμα.

Ξεσφίξτε τις έξι βίδες και αφαιρέστε τη χειρολαβή.

Σημειώστε ότι οι πάνω βίδες είναι διαφορετικές από τις άλλες βίδες. (Εικ. 15)

Αποσυνδέστε το συνδετήρα τραβώντας τις. (Εικ. 16)

Ξεσφίξτε τις πέντε βίδες στο καπάκι του στροφάλου και αφαιρέστε το καπάκι του στροφάλου. (Εικ. 17)

Σκουπίστε το παλιό γράσο που βρίσκεται στο εσωτερικό και συμπληρώστε με καινούργιο γράσο (30 γραμμάρια). Να χρησιμοποιείτε μόνο γνήσιο γράσο για σφύρα της Makita (προαιρετικό αξεσουάρ). Αν πληρώσετε με μεγαλύτερη ποσότητα γράσου από αυτήν που καθορίζεται (περίπου 30 γραμμάρια), μπορεί να προκληθεί ελαττωματική δράση κρούσης ή καταστροφή του εργαλείου. Γεμίστε μόνο με την ποσότητα γράσου που καθορίζεται.

⚠ ΠΡΟΣΟΧΗ:

- Προσέξτε να μην προκαλέσετε ζημιά στο συνδετήρα ή στα καλώδια τροφοδοσίας ειδικά όταν σκουπίζετε το παλιό γράσο.

Για να επανασυναρμολογήσετε το εργαλείο, ακολουθήστε τη διαδικασία αποσυναρμολόγησης με αντίστροφη σειρά.

⚠ ΠΡΟΣΟΧΗ:

- Μη σφίγγετε υπερβολικά το καπάκι στροφάλου. Είναι κατασκευασμένο από ρητίνη και μπορεί να σπάσει.
- Προσέξτε να μην προκαλέσετε ζημιά στο συνδετήρα ή στα καλώδια τροφοδοσίας ειδικά όταν τοποθετείτε τη λαβή. (Εικ. 18)

Συνδέστε το συνδετήρα σταθερά και μετά τοποθετήστε ξανά τη λαβή.

Για να διατηρείται η ΑΣΦΑΛΕΙΑ και η ΑΞΙΟΠΙΣΤΙΑ του προϊόντος, οι εργασίες επισκευής, ο έλεγχος και η αλλαγή των καρβουανικών, καθώς και οποιαδήποτε άλλη εργασία συντήρησης και ρύθμισης, θα πρέπει να εκτελούνται σε εξουσιοδοτημένα κέντρα εξυπηρέτησης της Makita, και πάντοτε με τη χρήση ανταλλακτικών της Makita.

ΑΞΕΣΟΥΑΡ

⚠ ΠΡΟΣΟΧΗ:

- Συνιστάται η χρήση αυτών των αξεσουάρ ή εξαρτημάτων με το εργαλείο της Makita, όπως περιγράφεται στο παρόν εγχειρίδιο. Αν

χρησιμοποιήσετε άλλα αξεσουάρ ή εξαρτήματα μπορεί να παρουσιαστεί κίνδυνος για πρόκληση ατομικού τραυματισμού. Να χρησιμοποιείτε τα αξεσουάρ και τα εξαρτήματα μόνο για το σκοπό για τον οποίο προορίζονται.

Αν χρειάζεστε κάποια βοήθεια ή περισσότερες πληροφορίες σχετικά με τα αξεσουάρ αυτά, απευθυνθείτε στο πλησιέστερο κέντρο εξυπηρέτησης της Makita.

- Βελόνι (SDS-max)
- Σμίλη κοπής εν ψυχρώ (SDS-max)
- Σμίλη λάξευσης (SDS-max)
- Φτυάρι πηλού (SDS-max)
- Γράσο για μύτες
- Γυαλιά προστασίας
- Γράσο για σφύρα
- Πλαστική θήκη μεταφοράς

Θόρυβος

ENG905-1

Το σύνθετος σταθμισμένο επίπεδο θορύβου που έχει καθοριστεί σύμφωνα με την EN60745:

Μοντέλο HM1111C

Επίπεδο ηχητικής πίεσης (L_{pA}): 88 dB (A)

Επίπεδο ηχητικής ισχύος (L_{WA}): 99 dB (A)

Αβεβαιότητα (K): 3 dB (A)

Μοντέλο HM1101C

Επίπεδο ηχητικής πίεσης (L_{pA}): 90 dB (A)

Επίπεδο ηχητικής ισχύος (L_{WA}): 101 dB (A)

Αβεβαιότητα (K): 3 dB (A)

Να φοράτε ωτοασπίδες.

Δόνηση

ENG900-1

Η συνολική τιμή δόνησης (διανυσματικό άθροισμα τριών αξόνων) που έχει καθοριστεί σύμφωνα με την EN60745:

Μοντέλο HM1111C

Κατάσταση λειτουργίας: λειτουργία σμίλευσης με

πλαϊνή χειρολαβή

Εκπομπή δόνησης ($a_{h,CHeq}$): 7,5 m/s²

Αβεβαιότητα (K): 1,5 m/s²

Κατάσταση λειτουργίας: λειτουργία σμίλευσης με

πλαϊνή λαβή

Εκπομπή δόνησης ($a_{h,CHeq}$): 8,0 m/s²

Αβεβαιότητα (K): 1,5 m/s²

Μοντέλο HM1101C

Κατάσταση λειτουργίας: λειτουργία σμίλευσης με

πλευρική χειρολαβή

Εκπομπή δόνησης ($a_{h,CHeq}$): 13,5 m/s²

Αβεβαιότητα (K): 2,0 m/s²

Κατάσταση λειτουργίας: λειτουργία σμίλευσης με

πλευρική λαβή

Εκπομπή δόνησης ($a_{h,CHeq}$): 13,5 m/s²

Αβεβαιότητα (K): 1,5 m/s²

ENG901-1

- Η δηλωθείσα τιμή των παραγομένων κραδασμών έχει καταμετρηθεί σύμφωνα με την τυποποιημένη μέθοδο δοκιμασίας και μπορεί να χρησιμοποιηθεί για την σύγκριση ενός εργαλείου με ένα άλλο.
- Η δηλωθείσα τιμή των παραγομένων κραδασμών μπορεί επίσης να χρησιμοποιηθεί για μια προκαταρκτική αξιολόγηση της έκθεσης στους κραδασμούς.

⚠ ΠΡΟΕΙΔΟΠΟΙΗΣΗ:

- Η εκπομπή κραδασμών κατά τη διάρκεια της πραγματικής χρήσης του ηλεκτρικού εργαλείου μπορεί να διαφέρει από τη δηλωθείσα τιμή των εκπομπών, ανάλογα με τον τρόπο με τον οποίο χρησιμοποιείται το εργαλείο.
- Φροντίστε να λάβετε τα μέτρα ασφαλείας που απαιτούνται για την προστασία του χρήστη που βασίζονται σε μια εκτίμηση της έκθεσης σε πραγματικές συνθήκες χρήσης (λαμβάνοντας υπόψη όλα τα μέρη του κύκλου λειτουργίας, όπως είναι οι περιπτώσεις κατά τις οποίες το εργαλείο είναι απενεργοποιημένο και όταν λειτουργεί στο ρελαντί επιπρόσθετως του χρόνου κατά τον οποίο το εργαλείο βρίσκεται σε χρήση).

Για Ευρωπαϊκές χώρες μόνο

ENH101-14

ΕΚ – Δήλωση συμμόρφωσης

Η Εταιρία Makita ως υπεύθυνος κατασκευαστής, δηλώνει ότι το παρακάτω μηχάνημα ή μηχανήματα της Makita:

Ονομασία Μηχανήματος:

Σφύρα κατεδάφισης

Αρ. Μοντέλου/ Τύπος: HM1111C, HM1101C

αποτελούν παραγωγή σε σειρά και

Συμμορφώνονται με τις ακόλουθες Ευρωπαϊκές

Οδηγίες:

2006/42/ΕΚ

Και κατασκευάζονται σύμφωνα με τα παρακάτω πρότυπα

ή τυποποιημένα έγγραφα:

EN60745

Ο εξουσιοδοτημένος μας αντιπρόσωπος στην Ευρώπη

διατηρεί τα τεχνικά έγγραφα, ο οποίος είναι:

Makita International Europe Ltd.,

Michigan Drive, Tongwell,

Milton Keynes, MK15 8JD, England

9.11.2009



Tomoyasu Kato

Διευθυντής

Makita Corporation

3-11-8, Sumiyoshi-cho,

Anjo, Aichi, JAPAN

Makita Corporation
Anjo, Aichi, Japan

www.makita.com

884957A998

ALA