



**GB Rotary Hammer**

**Instruction manual**

**F Marteau rotatif**

**Manuel d'instructions**

**D Bohrhammer**

**Betriebsanleitung**

**I Martello rotativo**

**Istruzioni per l'uso**

**NL Drilboor**

**Gebruiksaanwijzing**

**E Martillo rotativo**

**Manual de instrucciones**

**P Martelo rotativo**

**Manual de instruções**

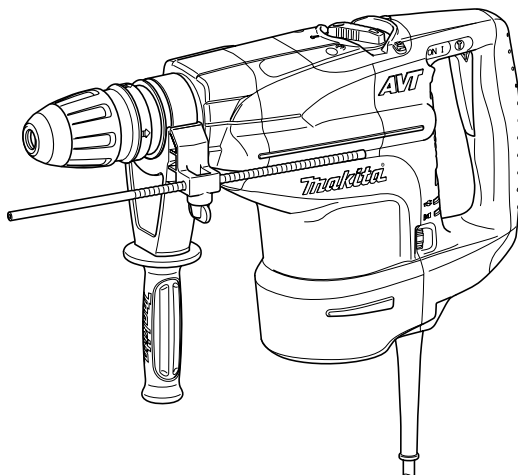
**DK Borehammer**

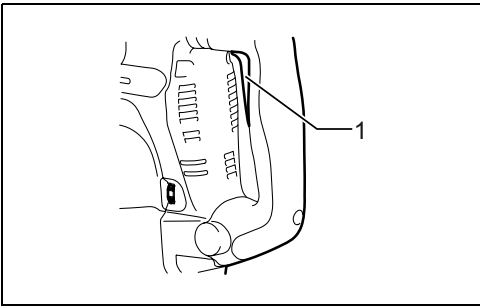
**Brugsanvisning**

**GR Περιστροφικό δρέπανο**

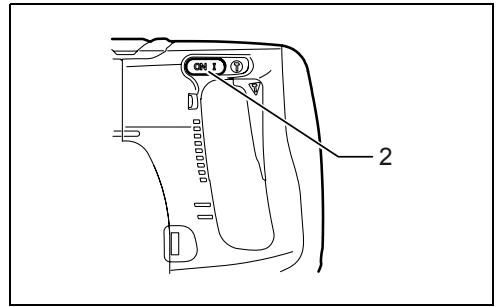
**Οδηγίες χρήσης**

**HR4501C**  
**HR4510C**  
**HR4511C**

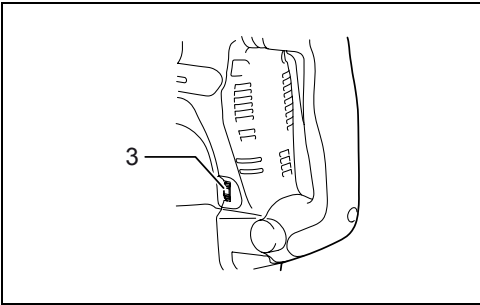




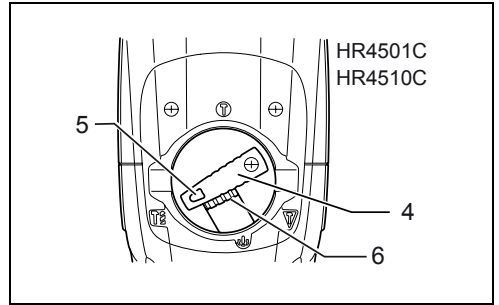
1



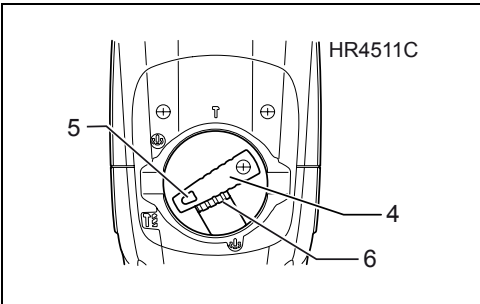
2



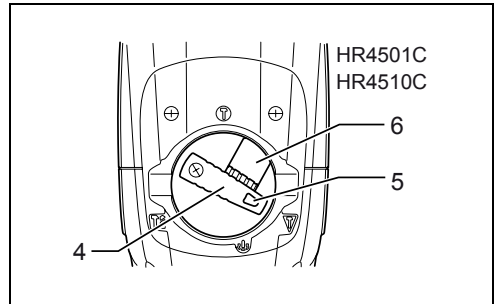
3



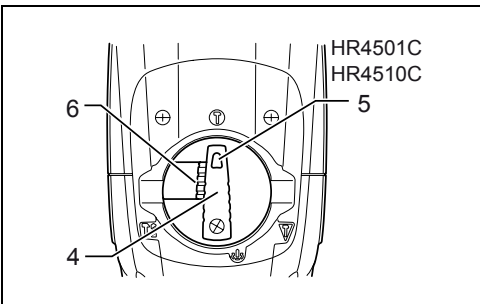
4



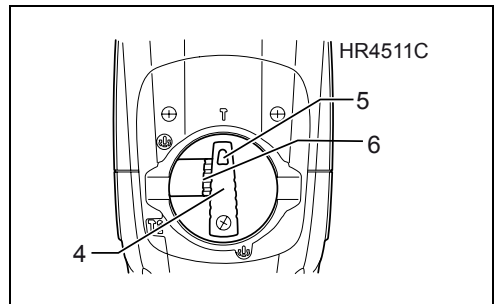
5



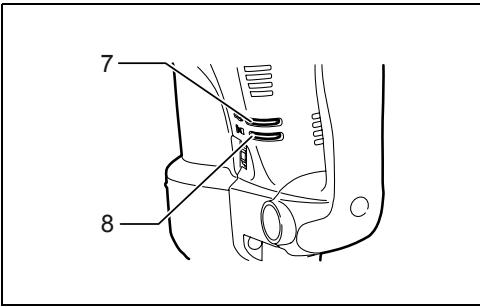
6



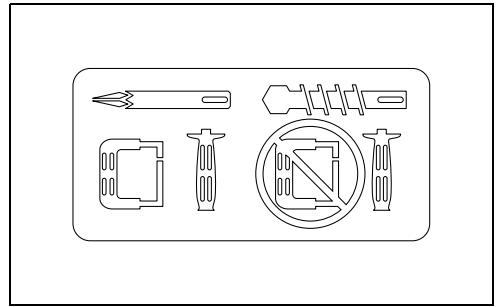
7



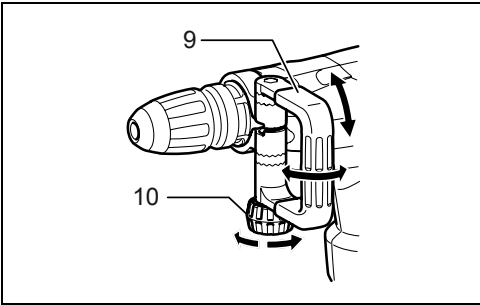
8



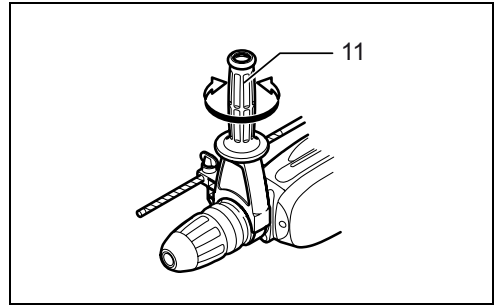
9



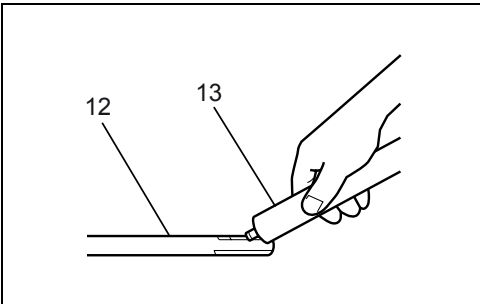
10



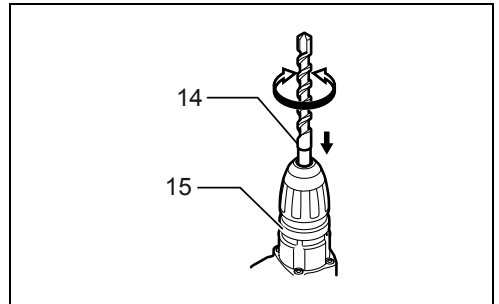
11



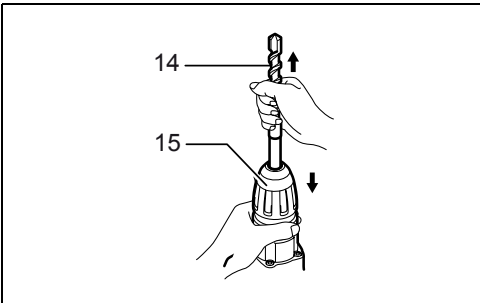
12



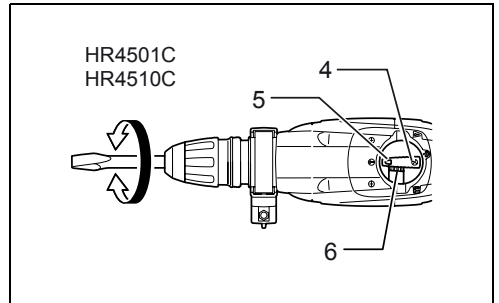
13



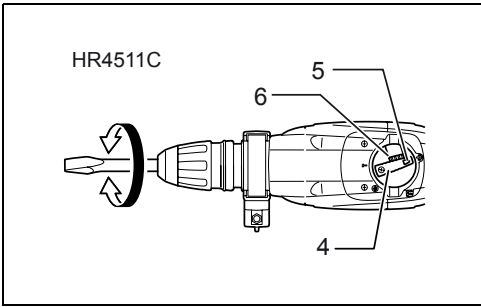
14



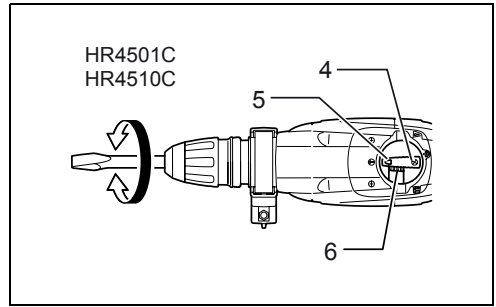
15



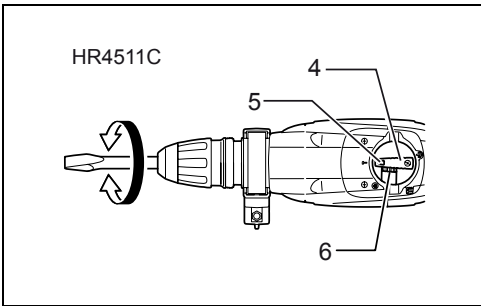
16



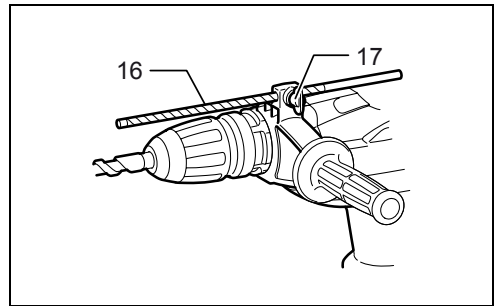
17



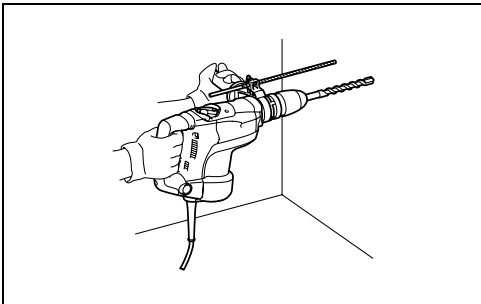
18



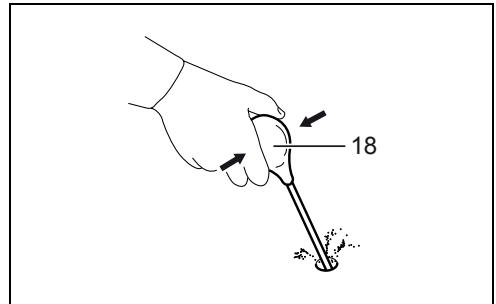
19



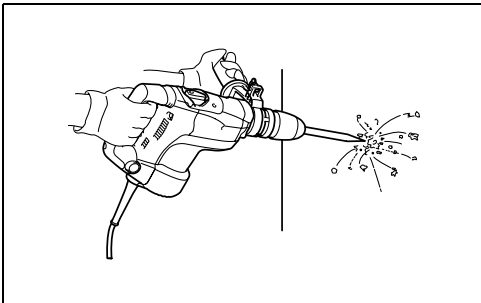
20



21



22



23

## ENGLISH

### Explanation of general view

- |                   |                                    |                   |
|-------------------|------------------------------------|-------------------|
| 1. Switch trigger | 7. Power-ON indicator lamp (green) | 13. Bit grease    |
| 2. Switch lever   | 8. Service indicator lamp (red)    | 14. Bit           |
| 3. Adjusting dial | 9. Side handle                     | 15. Chuck cover   |
| 4. Change lever   | 10. Clamp nut                      | 16. Depth gauge   |
| 5. Pointer        | 11. Side grip                      | 17. Clamp screw   |
| 6. Lock button    | 12. Bit shank                      | 18. Blow-out bulb |

## SPECIFICATIONS

Model		HR4501C	HR4510C	HR4511C
Capacities	Carbide-tipped bit	45 mm		
	Core bit	125 mm		
No load speed (min <sup>-1</sup> )		130 - 280		
Blows per minute		1,275 – 2,750		
Overall length		458 mm		
Net weight		7.8 kg	8.3 kg	8.4 kg
Safety class		II/II		

- Due to our continuing program of research and development, the specifications herein are subject to change without notice.
- Note: Specifications may differ from country to country.

### Symbols

END201-2

The following show the symbols used for the equipment. Be sure that you understand their meaning before use.



..... Read instruction manual.



..... DOUBLE INSULATION

### Intended use

ENE044-1

The tool is intended for hammer drilling in brick, concrete and stone as well as for chiselling work.

### Power supply

ENF002-1

The tool should be connected only to a power supply of the same voltage as indicated on the nameplate, and can only be operated on single-phase AC supply. They are double-insulated in accordance with European Standard and can, therefore, also be used from sockets without earth wire.

## SPECIFIC SAFETY RULES

GEB007-2

**DO NOT let comfort or familiarity with product (gained from repeated use) replace strict adherence to rotary hammer safety rules. If you use this tool unsafely or incorrectly, you can suffer serious personal injury.**

1. **Wear ear protectors.** Exposure to noise can cause hearing loss.
2. **Use auxiliary handles supplied with the tool.** Loss of control can cause personal injury.
3. **Hold power tools by insulated gripping surfaces when performing an operation where the cutting tool may contact hidden wiring or its own cord.** Contact with a "live" wire will make exposed metal parts of the tool "live" and shock the operator.

4. **Wear a hard hat (safety helmet), safety glasses and/or face shield. Ordinary eye or sun glasses are NOT safety glasses. It is also highly recommended that you wear a dust mask and thickly padded gloves.**
5. **Be sure the bit is secured in place before operation.**
6. **Under normal operation, the tool is designed to produce vibration. The screws can come loose easily, causing a breakdown or accident. Check tightness of screws carefully before operation.**
7. **In cold weather or when the tool has not been used for a long time, let the tool warm up for a while by operating it under no load. This will loosen up the lubrication. Without proper warm-up, hammering operation is difficult.**
8. **Always be sure you have a firm footing. Be sure no one is below when using the tool in high locations.**
9. **Hold the tool firmly with both hands.**
10. **Keep hands away from moving parts.**
11. **Do not leave the tool running. Operate the tool only when hand-held.**
12. **Do not point the tool at any one in the area when operating. The bit could fly out and injure someone seriously.**
13. **Do not touch the bit or parts close to the bit immediately after operation; they may be extremely hot and could burn your skin.**
14. **Some material contains chemicals which may be toxic. Take caution to prevent dust inhalation and skin contact. Follow material supplier safety data.**

## SAVE THESE INSTRUCTIONS.

**WARNING:**

**MISUSE or failure to follow the safety rules stated in this instruction manual may cause serious personal injury.**

## FUNCTIONAL DESCRIPTION

**CAUTION:**

- Always be sure that the tool is switched off and unplugged before adjusting or checking function on the tool.

### Switch action (Fig. 1)

**FOR MODEL HR4511C****CAUTION:**

- Before plugging in the tool, always check to see that the switch trigger actuates properly and returns to the "OFF" position when released.

To start the tool, simply pull the switch trigger. Release the switch trigger to stop.

**FOR MODELS HR4510C/ HR4501C****Trigger switch****CAUTION:**

- Before plugging in the tool, always check to see that the switch trigger actuates properly and returns to the "OFF" position when released.
- This switch functions when setting the tool in ▼ symbol and ⚙ symbol modes.

To start the tool, simply pull the switch trigger. Release the switch trigger to stop.

**Slide switch****CAUTION:**

- Before plugging in the tool, always check to see that the tool is switched off.
- This switch functions only when setting the tool in ⚙ symbol action mode.

When using the tool in the hammering mode for a long time, the slide switch is available. To start the tool, push the "I (ON)" side of the switch lever. To stop the tool, push the "O (OFF)" side of the switch lever. (Fig. 2)

### Speed change (Fig. 3)

The revolutions and blows per minute can be adjusted just by turning the adjusting dial. The dial is marked 1 (lowest speed) to 5 (full speed).

Refer to the table below for the relationship between the number settings on the adjusting dial and the revolutions/blows per minute.

Number on adjusting dial	Revolutions per minute	Blows per minute
5	280	2,750
4	260	2,550
3	200	1,950
2	150	1,450
1	130	1,250

**CAUTION:**

- If the tool is operated continuously at low speeds for a long time, the motor will get overloaded, resulting in tool malfunction.

- The speed adjusting dial can be turned only as far as 5 and back to 1. Do not force it past 5 or 1, or the speed adjusting function may no longer work.

## Selecting the action mode

**Rotation with hammering (Fig. 4 & 5)**

For drilling in concrete, masonry, etc., depress the lock button and rotate the change lever so that the pointer points to the ⚙ symbol. Use a tungsten-carbide tipped bit.

**Hammering only****FOR MODEL HR4501C AND HR4510 (Fig. 6)**

For chipping, scaling or demolition operations, depress the lock button and rotate the change lever so that the pointer points to the ▼ symbol. Use a bull point, cold chisel, scaling chisel, etc.

**For long time hammering (FOR MODELS HR4501C AND HR4510C ONLY) (Fig. 7)**

For chipping, scaling or demolition operations, depress the lock button and rotate the change lever so that the pointer points to the ⚙ symbol. Use a bull point, cold chisel, scaling chisel, etc.

**CAUTION:**

- When using the tool in the ⚙ symbol mode, the switch trigger does not work and only the slide switch works.

**FOR MODEL HR4511C (Fig. 8)**

For chipping, scaling or demolition operations, depress the lock button and rotate the change lever so that the pointer points to the ⚙ symbol. Use a bull point, cold chisel, scaling chisel, etc.

**CAUTION:**

- Do not rotate the change lever when the tool is running under load. The tool will be damaged.
- To avoid rapid wear on the mode change mechanism, be sure that the change lever is always positively located in one of the two or three action mode positions.

## Torque limiter

The torque limiter will actuate when a certain torque level is reached. The motor will disengage from the output shaft. When this happens, the bit will stop turning.

**CAUTION:**

- As soon as the torque limiter actuates, switch off the tool immediately. This will help prevent premature wear of the tool.

## Indicator lamp (Fig. 9)

The green power-ON indicator lamp lights up when the tool is plugged. If the indicator lamp does not light up, the mains cord or the controller may be defective. The indicator lamp is lit but the tool does not start even if the tool is switched on, the carbon brushes may be worn out, or the controller, the motor or the ON/OFF switch may be defective.

The red service indicator lamp lights up when the carbon brushes are nearly worn out to indicate that the tool needs servicing. After approx. 8 hours of use, the motor will automatically be shut off.

## ASSEMBLY

### CAUTION:

- Always be sure that the tool is switched off and unplugged before carrying out any work on the tool.

### Side handle (Fig. 10)

### CAUTION:

- Use the side handle only when chipping, scaling or demolishing. Do not use it when drilling in concrete, masonry, etc. The tool cannot be held properly with this side handle when drilling.

The side handle can be swung 360° on the vertical and secured at any desired position. It also secures at eight different positions back and forth on the horizontal. Just loosen the clamp nut to swing the side handle to a desired position. Then tighten the clamp nut securely. (Fig. 11)

### Side grip (Fig. 12)

### CAUTION:

- Always use the side grip to ensure operating safety when drilling in concrete, masonry, etc.

The side grip swings around to either side, allowing easy handling of the tool in any position. Loosen the side grip by turning it counterclockwise, swing it to the desired position and then tighten it by turning clockwise.

### Installing or removing the bit (Fig. 13)

Clean the bit shank and apply bit grease before installing the bit.


Insert the bit into the tool. Turn the bit and push it in until it engages. (Fig. 14)

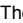
If the bit cannot be pushed in, remove the bit. Pull the chuck cover down a couple of times. Then insert the bit again. Turn the bit and push it in until it engages.

After installing, always make sure that the bit is securely held in place by trying to pull it out.

To remove the bit, pull the chuck cover down all the way and pull the bit out. (Fig. 15)

### Bit angle (when chipping, scaling or demolishing) (Fig. 16 & 17)

The bit can be secured at 12 different angles. To change the bit angle, depress the lock button and rotate the change lever so that the pointer points to the  symbol. Turn the bit to the desired angle.

Depress the lock button and rotate the change lever so that the pointer points to the  symbol. Then make sure that the bit is securely held in place by turning it slightly. (Fig. 18 & 19)

### Depth gauge (Fig. 20)

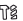
The depth gauge is convenient for drilling holes of uniform depth. Loosen the clamp screw and adjust the depth gauge to the desired depth. After adjusting, tighten the clamp screw firmly.

### NOTE:

- The depth gauge cannot be used at the position where the depth gauge strikes against the gear housing/motor housing.

## OPERATION

### Hammer drilling operation (Fig. 21)

Set the change lever to the  symbol.

Position the bit at the desired location for the hole, then pull the switch trigger. Do not force the tool. Light pressure gives best results. Keep the tool in position and prevent it from slipping away from the hole.

Do not apply more pressure when the hole becomes clogged with chips or particles. Instead, run the tool at an idle, then remove the bit partially from the hole. By repeating this several times, the hole will be cleaned out and normal drilling may be resumed.

### CAUTION:

- When the bit begins to break through concrete or if the bit strikes reinforcing rods embedded in concrete, the tool may react dangerously. Maintain good balance and safe footing while holding the tool firmly with both hands to prevent dangerous reaction.

### Blow-out bulb (optional accessory) (Fig. 22)

After drilling the hole, use the blow-out bulb to clean the dust out of the hole.

### Chipping/Scaling/Demolition (Fig. 23)

Set the change lever to the  symbol.

Hold the tool firmly with both hands. Turn the tool on and apply slight pressure on the tool so that the tool will not bounce around, uncontrolled. Pressing very hard on the tool will not increase the efficiency.

## MAINTENANCE

### CAUTION:

- Always be sure that the tool is switched off and unplugged before attempting to perform inspection or maintenance.
- This servicing should be performed by Makita Authorized Service Centers only.

This tool requires no hourly or daily lubrication because it has a grease-packed lubrication system. It should be relubricated after regularly. Send the complete tool to Makita Authorized Service Center for this lubrication service.

To maintain product SAFETY and RELIABILITY, repairs, any other maintenance or adjustment should be performed by Makita Authorized Service Centers, always using Makita replacement parts.

## ACCESSORIES

### CAUTION:

- These accessories or attachments are recommended for use with your Makita tool specified in this manual. The use of any other accessories or attachments might present a risk of injury to persons. Only use accessory or attachment for its stated purpose.

If you need any assistance for more details regarding these accessories, ask your local Makita Service Center.

- SDS-Max Carbide-tipped bits
- SDS-Max bull point
- SDS-MAX cold chisel

- SDS-MAX scaling chisel
- SDS-MAX tile chisel
- SDS-MAX clay spade
- Hammer grease
- Bit grease
- Side handle
- Side grip
- Depth gauge
- Blow-out bulb
- Safety goggles
- Carrying case

**For Model HR4501C**

**For European countries only**

ENG102-1

**Noise**

The typical A-weighted noise level determined according to 60745-2-6:

Sound pressure level ( $L_{pA}$ ): 94 dB (A)

Sound power level ( $L_{WA}$ ): 105 dB (A)

Uncertainty (K): 3 dB (A)

**Wear ear protection**

**Vibration**

ENG216-1

The vibration total value (tri-axial vector sum) determined according to EN60745-2-6:

Work mode: chiseling function with side handle

Vibration emission ( $a_{h,CHeq}$ ): 12.5 m/s<sup>2</sup>

Uncertainty (K): 1.5 m/s<sup>2</sup>

ENG306-1

Work mode: chiseling function with side grip

Vibration emission ( $a_{h,HD}$ ): 12.5 m/s<sup>2</sup>

Uncertainty (K): 1.5 m/s<sup>2</sup>

ENG303-1

Work mode: hammer drilling into concrete, 25 mm diameter and 180 mm depth

Vibration emission ( $a_{h,HD}$ ): 16 m/s<sup>2</sup>

Uncertainty (K): 1.5 m/s<sup>2</sup>

**For Model HR4510C**

**For European countries only**

ENG102-1

**Noise**

The typical A-weighted noise level determined according to 60745-2-6:

Sound pressure level ( $L_{pA}$ ): 93 dB (A)

Sound power level ( $L_{WA}$ ): 104 dB (A)

Uncertainty (K): 3 dB (A)

**Wear ear protection**

**Vibration**

ENG216-1

The vibration total value (tri-axial vector sum) determined according to EN60745-2-6:

Work mode: chiseling function with side handle

Vibration emission ( $a_{h,CHeq}$ ): 8.5 m/s<sup>2</sup>

Uncertainty (K): 1.5 m/s<sup>2</sup>

ENG306-1

Work mode: chiseling function with side grip

Vibration emission ( $a_{h,CHeq}$ ): 8.5 m/s<sup>2</sup>

Uncertainty (K): 1.5 m/s<sup>2</sup>

ENG303-1

Work mode: hammer drilling into concrete, 25 mm diameter and 180 mm depth

Vibration emission ( $a_{h,HD}$ ): 9.5 m/s<sup>2</sup>

Uncertainty (K): 2 m/s<sup>2</sup>

**For Model HR4511C**

**For European countries only**

ENG102-1

**Noise**

The typical A-weighted noise level determined according to 60745-2-6:

Sound pressure level ( $L_{pA}$ ): 94 dB (A)

Sound power level ( $L_{WA}$ ): 105 dB (A)

Uncertainty (K): 3 dB (A)

**Wear ear protection**

**Vibration**

ENG216-1

The vibration total value (tri-axial vector sum) determined according to EN60745-2-6:

Work mode: chiseling function with side handle

Vibration emission ( $a_{h,CHeq}$ ): 7 m/s<sup>2</sup>

Uncertainty (K): 1.5 m/s<sup>2</sup>

ENG306-1

Work mode: chiseling function with side grip

Vibration emission ( $a_{h,CHeq}$ ): 7.5 m/s<sup>2</sup>

Uncertainty (K): 1.5 m/s<sup>2</sup>

ENG303-1

Work mode: hammer drilling into concrete, 25 mm diameter and 180 mm depth

Vibration emission ( $a_{h,HD}$ ): 7.5 m/s<sup>2</sup>

Uncertainty (K): 1.5 m/s<sup>2</sup>

**EC-DECLARATION OF CONFORMITY**

ENH101-7

**Model; HR4501C, HR4510C, HR4511C**

We declare under our sole responsibility that this product is in compliance with the following standards of standardized documents;

EN60745, EN55014, EN61000 in accordance with

Council Directives, 2004/108/EC, 98/37/EC.

**CE 2006**



Tomoyasu Kato  
Director

Responsible Manufacturer:

**Makita Corporation**

3-11-8, Sumiyoshi-cho, Anjo, Aichi, JAPAN

Authorized Representative in Europe:

**Makita International Europe Ltd.**

Michigan Drive, Tongwell, Milton Keynes, Bucks MK15 8JD, ENGLAND



## Descriptif

- |   |                                    |                         |
|---|------------------------------------|-------------------------|
| 1. Gâchette                                     | 8. Lampe témoin de service (rouge) | 16. Jauge de profondeur |
| 2. Levier de l'interrupteur                     | 9. Manche latéral                  | 17. Vis de serrage      |
| 3. Cadran de réglage                            | 10. Écrou de serrage de collier    | 18. Poire soufflante    |
| 4. Levier de changement                         | 11. Poignée latérale               |                         |
| 5. Index  | 12. Arbre du foret                 |                         |
| 6. Bouton de verrouillage                       | 13. Graisse à foret                |                         |
| 7. Lampe témoin d'alimentation<br>ACTIVE (vert) | 14. Foret                          |                         |
|   | 15. Couvercle du mandrin           |                         |

## SPÉCIFICATIONS

Modèle		HR4501C	HR4510C	HR4511C
Capacités	Foret à pointe de carbure	45 mm		
	Trépan carottier	125 mm		
Vitesse à vide (min <sup>-1</sup> )		130 - 280		
Frappes par minute		1 275 – 2 750		
Longueur totale		458 mm		
Poids net		7,8 kg	8,3 kg	8,4 kg
Niveau de sécurité		□/II		

- Étant donné l'évolution constante de notre programme de recherche et de développement, les spécifications contenues dans ce manuel sont sujettes à modification sans préavis.
- Remarque : Les spécifications peuvent varier d'un pays à l'autre.

### Symboles

END201-2

Les symboles utilisés pour l'outil sont indiqués ci-dessous. Assurez-vous d'avoir bien compris leur signification avant d'utiliser l'outil.



..... Reportez-vous au manuel d'instructions.



..... DOUBLE ISOLATION

### Utilisations

ENE044-1

L'outil est conçu pour le perçage avec impacts et le perçage dans la brique, le béton et la pierre, ainsi que pour les travaux de défonçement.

### Alimentation

ENF002-1

L'outil ne doit être raccordé qu'à une alimentation de la même tension que celle qui figure sur la plaque signalétique, et il ne peut fonctionner que sur un courant secteur monophasé. Réalisé avec une double isolation, il est conforme à la réglementation européenne et peut de ce fait être alimenté sans mise à la terre.

## CONSIGNES DE SECURITE PARTICULIERES

GEB007-2

**NE vous laissez PAS tromper (au fil d'une utilisation répétée) par un sentiment d'aisance et de familiarité avec le produit, en négligeant le respect rigoureux des consignes de sécurité qui accompagnent la meule. En utilisant cet outil dans des conditions dangereuses ou incorrectes, vous vous exposez à un risque de blessure grave.**

1. **Portez des protections d'oreilles.** L'exposition au bruit peut entraîner une perte de l'ouïe.
2. **Utilisez les poignées auxiliaires fournies avec l'outil.** La perte de maîtrise comporte un risque de blessure.
3. **Saisissez les outils électriques par leurs surfaces de poigne isolées lorsque vous effectuez une opération au cours de laquelle l'outil tranchant peut entrer en contact avec des fils cachés ou avec le cordon de l'outil.** Le contact avec un fil sous tension mettra les parties métalliques exposées de l'outil sous tension, causant ainsi un choc électrique chez l'utilisateur.
4. **Portez une coiffure résistante (un casque de sécurité), des lunettes de sécurité et/ou une visière. Des lunettes de soleil ou de correction pour les yeux NE sont PAS des lunettes de sécurité. Nous vous recommandons également de porter un masque anti-poussières et des gants très épais.**
5. **Assurez-vous que le foret est bien serré avant d'utiliser l'outil.**
6. **Même en conditions normales d'utilisation, l'outil produit des vibrations. Les vis peuvent ainsi se relâcher facilement, ce qui risque d'entraîner une**

rupture de pièce ou un accident. Avant l'utilisation, vérifiez avec soin que les vis sont bien serrées.

- À basse température ou lorsque l'outil est resté inutilisé pour une période prolongée, laissez-le réchauffer un instant en le faisant fonctionner à vide. Cela permettra au lubrifiant de réchauffer. Le martèlement sera difficile si l'outil n'est pas bien réchauffé.
- Assurez-vous toujours d'une bonne position d'équilibre. Assurez-vous que personne ne se trouve dessous lorsque vous utilisez l'outil en position élevée.
- Tenez l'outil fermement à deux mains.
- Gardez les mains éloignées des pièces en mouvement.
- N'abandonnez pas l'outil alors qu'il tourne. Ne faites fonctionner l'outil qu'une fois que vous l'avez bien en main.
- Pendant l'utilisation de l'outil, ne le pointez vers personne dans la zone de travail. Vous risqueriez de blesser gravement quelqu'un en cas d'éjection du foret.
- Ne touchez ni le foret ni les pièces adjacentes immédiatement après l'utilisation de l'outil. Ils risquent d'être extrêmement chauds et de vous brûler gravement la peau.
- Certain matériel contient des produits chimiques qui peuvent être toxiques. Faites attention à prévenir toute inhalation de poussières et contact avec la peau. Suivre la fiche technique de santé et de sécurité du fournisseur.

## CONSERVEZ CES INSTRUCTIONS.

### AVERTISSEMENT :

Une UTILISATION INCORRECTE de l'outil ou un non-respect des consignes de sécurité indiquées dans ce manuel d'instructions peuvent entraîner des blessures graves.

## DESCRIPTION DU FONCTIONNEMENT

### ATTENTION :

- Assurez-vous toujours que l'outil est éteint et débranché avant de l'ajuster ou de vérifier son fonctionnement.

### Interrupteur (Fig. 1)

#### POUR LE MODÈLE HR4511C

### ATTENTION :

- Avant de brancher l'outil, vérifiez toujours que la gâchette fonctionne correctement et revient en position d'arrêt (« OFF ») lorsqu'elle est relâchée.

Pour mettre l'outil en marche, appuyez simplement sur la gâchette. Pour l'arrêter, relâchez la gâchette.

#### POUR LES MODÈLES HR4510C/ HR4501C

### Gâchette

### ATTENTION :

- Avant de brancher l'outil, vérifiez toujours que la gâchette fonctionne correctement et revient en position d'arrêt (« OFF ») lorsqu'elle est relâchée.
- Ce commutateur fonctionne quand l'outil est paramétré sur les modes  $\nabla$  symbole et  $\text{⚡}$  symbole.

Pour mettre l'outil en marche, appuyez simplement sur la gâchette. Pour l'arrêter, relâchez la gâchette.

### Interrupteur à glissière

### ATTENTION :

- Avant de brancher l'appareil, vérifiez toujours qu'il est éteint.
- Ce commutateur ne fonctionne que quand l'outil est paramétré sur le mode  $\text{⚡}$  symbole.

Lorsque vous utilisez l'outil en mode martèlement pendant longtemps, l'interrupteur à glissière est disponible. Pour démarrer l'outil, poussez le côté « I (ON - ALLUMÉ) » du levier de l'interrupteur. Pour arrêter l'outil, poussez le côté « O (OFF - ÉTEINT) » du levier de l'interrupteur. (Fig. 2)

### Changement de vitesse (Fig. 3)

Il est possible d'ajuster les révolutions et les frappes par minute en tournant simplement le cadran de réglage. Le cadran comporte les marquages 1 (vitesse la plus lente) à 5 (vitesse pleine).

Référez-vous au tableau ci-dessous pour connaître la relation entre les paramètres des numéros sur le cadran de réglage et les révolutions/frappes par minute.

Numéro sur le cadran de réglage	Révolutions par minute	Frappes par minute
5	280	2 750
4	260	2 550
3	200	1 950
2	150	1 450
1	130	1 250

### ATTENTION :

- Si l'outil est continuellement opéré à des vitesses lentes pendant longtemps, le moteur sera surchargé, ce qui entraînera un dysfonctionnement de l'outil.
- Le cadran de réglage de la vitesse ne peut être tourné que jusqu'aux positions 5 et 1. Ne le forcez pas au-delà des positions 5 ou 1, sinon la fonction du réglage de la vitesse risque de ne plus fonctionner.

### Sélection du mode de fonctionnement

#### Rotation avec martèlement (Fig. 4 et 5)


Pour percer dans le béton, la maçonnerie, etc., enfoncez le bouton de verrouillage et tournez le levier de changement de mode jusqu'au symbole  $\text{⚡}$ . Utilisez un foret à pointe de carbure de tungstène.

#### Impacts seulement

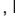
#### POUR LES MODÈLES HR4501C ET HR4510C (Fig. 6)

Pour des opérations de burinage, d'écaillage ou de démolition, enfoncez le bouton de verrouillage et tournez le levier de changement de mode jusqu'au symbole  $\nabla$ . Utilisez un pic, un ciseau à froid, un ciseau à écailler, etc.


## Pour le martelage prolongé (POUR LES MODÈLES HR4501C ET HR4510C UNIQUEMENT) (Fig. 7)

Pour des opérations de burinage, d'écaillage ou de démolition, enfoncez le bouton de verrouillage et tournez le levier de changement de mode jusqu'au symbole . Utilisez un pic, un ciseau à froid, un ciseau à écailler, etc.

### ATTENTION :

- Quand vous utilisez l'outil en mode de symbole , la gâchette ne marche pas et seule l'interrupteur à glissière fonctionne.

## POUR LE MODÈLE HR4511C (Fig. 8)

Pour des opérations de burinage, d'écaillage ou de démolition, enfoncez le bouton de verrouillage et tournez le levier de changement de mode jusqu'au symbole . Utilisez un pic, un ciseau à froid, un ciseau à écailler, etc.

### ATTENTION :

- Ne tournez pas le levier de changement de mode quand l'outil fonctionne sous charge. Cela endommagera l'outil.
- Pour éviter l'usure rapide du mécanisme de changement de mode, assurez-vous que le levier de changement de mode est toujours placé avec exactitude sur les deux ou trois positions de mode.

## Limiteur de couple

Le limiteur de couple s'active lorsqu'un niveau de couple donné est atteint. Le moteur débrayera alors de l'arbre de sortie. Lorsque cela se produit, le foret cesse de tourner.

### ATTENTION :

- Éteignez l'outil immédiatement lorsque le limiteur de couple s'active. Cela aidera à prévenir l'usure trop rapide de l'outil.

## Voyant (Fig. 9)

Le voyant vert de mise sous tension s'allume lorsque l'outil est branché. Si le voyant ne s'allume pas, il se peut que le cordon d'alimentation ou le contrôleur soit défectueux. Si le voyant est allumé, mais que l'outil ne démarre pas même si vous activez la gâchette, il se peut que les charbons soient usés ou que le contrôleur, le moteur ou l'interrupteur MARCHE/ARRÊT soit défectueux.

Le voyant rouge de service s'allume quand les charbons sont presque totalement usés pour indiquer que l'outil a besoin d'une opération d'entretien. Au bout d'environ 8 heures d'utilisation, le moteur s'éteindra automatiquement.

## ASSEMBLAGE

### ATTENTION :

- Avant d'effectuer toute intervention sur l'outil, assurez-vous toujours qu'il est éteint et débranché.

## Manche latéral (Fig. 10)

### ATTENTION :

- N'utilisez le manche latéral que lors d'une opération de burinage, d'écaillage ou de démolition. Ne l'utilisez pas pour percer dans le béton, maçonner, etc. Il est impossible de tenir l'outil correctement par ce manche latéral lors d'une opération de perçage.

Il est possible de faire pivoter le manche latéral de 360° à la verticale et de le sécuriser dans la position souhaitée. Il se verrouille également sur huit positions différentes en avant et en retrait sur l'horizontale. Il vous suffit de desserrer l'écrou de serrage de collier pour faire pivoter le manche latéral à la position souhaitée. Serrez ensuite fermement l'écrou de serrage de collier. (Fig. 11)

## Poignée latérale (Fig. 12)

### ATTENTION :

- Utilisez toujours la poignée latérale pour assurer une opération sécurisée lorsque vous percez du béton, maçonnez, etc.

La poignée latérale peut pivoter dans un sens comme dans l'autre, permettant ainsi de manipuler l'outil avec aisance dans n'importe quelle position. Desserrer la poignée latérale en la faisant tourner dans le sens inverse des aiguilles d'une montre, faites-la pivoter jusqu'à la position désirée puis resserrez-la en tournant dans le sens des aiguilles d'une montre.

## Installation et retrait du foret (Fig. 13)

Nettoyez l'arbre du foret et appliquez de la graisse à foret avant d'installer le foret.


Insérez le foret dans l'outil. Tournez le foret et enfoncez-le jusqu'à ce qu'il s'engage. (Fig. 14)

S'il n'est pas possible d'enfoncer le foret, retirez-le. Tirez le couvercle du mandrin vers le bas à quelques reprises. Réinsérez ensuite le foret. Tournez le foret et enfoncez-le jusqu'à ce qu'il s'engage.


Après l'installation, tirez toujours sur le foret pour vous assurer qu'il demeure fermement en place.

Pour retirer le foret, tirez le couvercle du mandrin complètement vers le bas puis tirez sur le foret. (Fig. 15)

## Angle du foret (lors du burinage, de l'écaillage ou de la démolition) (Fig. 16 et 17)

Vous pouvez fixer le foret sur 12 angles différents. Pour changer l'angle du foret, enfoncez le bouton de verrouillage et tournez le levier de changement de mode jusqu'au symbole .

Tournez le foret jusqu'à l'angle désiré.

Enfoncez le bouton de verrouillage et tournez le levier de changement de mode jusqu'au symbole . Assurez-vous ensuite que le foret est solidement maintenu en place en le tournant légèrement. (Fig. 18 et 19)

## Jauge de profondeur (Fig. 20)


La tige de profondeur est pratique pour percer des trous de même profondeur. Desserrer la vis de serrage et ajustez la tige de profondeur à la profondeur souhaitée. Après le réglage, serrez fermement la vis de serrage.

### REMARQUE :

- Il n'est pas possible d'utiliser la jauge de profondeur sur la position où elle frappe contre le carter d'engrenages/logement du moteur.

## UTILISATION

### Perçage avec impacts (Fig. 21)

Réglez le levier de changement de mode sur le symbole .

Placez le foret au point où vous désirez percer le trou, puis appuyez sur la gâchette. Ne forcez pas l'outil. Vous obtiendrez de meilleurs résultats avec une légère pression. Gardez l'outil dans cette position et évitez qu'il ne glisse à l'extérieur du trou.

N'appliquez pas plus de pression lorsque le trou se bouche de copeaux ou particules. Faites plutôt tourner l'outil au ralenti, puis retirez partiellement le foret du trou. Vous pourrez poursuivre le perçage de façon normale après avoir répété quelques fois cette opération.


#### ATTENTION :

- Quand le foret commence à percer le béton ou s'il frappe des fers à béton incorporés dans le béton, l'outil peut réagir dangereusement. Maintenez un bon équilibre et un appui sûr lorsque vous tenez fermement l'outil à deux mains pour éviter une réaction dangereuse.

### Poire soufflante (accessoire en option) (Fig. 22)

Une fois le trou percé, utilisez la poire soufflante pour retirer la poussière du trou.

### Burinage/Écaillage/Démolition (Fig. 23)

Réglez le levier de changement de mode sur le symbole .

Tenez l'outil fermement à deux mains. Mettez le contact et appliquez une légère pression sur l'outil de façon à en garder la maîtrise et éviter qu'il ne saute d'un côté et de l'autre. L'application d'une très grande pression sur l'outil n'augmentera pas l'efficacité de l'opération.

## MAINTENANCE

#### ATTENTION :

- Assurez-vous toujours que l'outil est éteint et débranché avant d'effectuer tout travail d'inspection ou de maintenance.
- Seuls des centres de service agréés par Makita sont habilités à effectuer les réparations.

Grâce à son système de lubrification à la graisse, il n'est pas nécessaire de graisser cet outil après quelques heures d'utilisation ou chaque jour. Il doit toutefois être regraissé régulièrement. Pour le faire graisser, envoyez l'outil complet à un centre de service après-vente Makita agréé.

Pour assurer la SÉCURITÉ et la FIABILITÉ du produit, toute réparation et tout travail d'entretien ou de réglage doivent être effectués par un Centre de service après-vente agréé Makita, avec des pièces de rechange Makita.

## ACCESSOIRES

#### ATTENTION :

- Ces accessoires ou pièces complémentaires sont recommandés pour l'utilisation avec l'outil Makita spécifié dans ce manuel. L'utilisation de tout autre accessoire ou pièce complémentaire comporte un risque de blessures. Utilisez uniquement l'accessoire ou la pièce complémentaire dans le but spécifié.

Pour obtenir plus de détails sur ces accessoires, contactez un Centre de service après-vente local Makita.

- Forets à pointe de carbure SDS-Max
- Pic SDS-Max
- Ciseau à froid SDS-MAX
- Ciseau à écailler SDS-MAX
- Ciseau de carreleur SDS-MAX
- Marteau-bêche SDS-MAX
- Graisse à marteau
- Graisse à foret
- Manche latéral
- Poignée latérale
- Jauge de profondeur
- Poire soufflante
- Lunettes de sécurité
- Mallette de transport

#### Pour le modèle HR4501C

#### Pour les pays d'Europe uniquement

ENG102-1

#### Bruit

Les niveaux de bruit pondéré A typiques ont été mesurés selon la norme 60745-2-6 :

Niveau de pression sonore ( $L_{pA}$ ) : 94 dB (A)

Niveau de puissance sonore ( $L_{WA}$ ) : 105 dB (A)

Incertitude (K) : 3 dB (A)

#### Portez des protections auditives.

#### Vibration

ENG216-1

La valeur totale de vibration (somme du vecteur triaxial) déterminée selon EN60745-2-6 :

Mode de fonctionnement : la fonction de ciselure avec le manche latéral

Émission de vibrations ( $a_{h,CHeq}$ ) : 12,5 m/s<sup>2</sup>

Incertitude (K) : 1,5 m/s<sup>2</sup>

ENG306-1

Mode de fonctionnement : la fonction de ciselure avec la poignée latérale

Émission de vibrations ( $a_{h,HD}$ ) : 12,5 m/s<sup>2</sup>

Incertitude (K) : 1,5 m/s<sup>2</sup>

ENG303-1

Mode de fonctionnement : perçage avec impacts dans le béton, 25 mm de diamètre et 180 mm de profondeur

Émission de vibrations ( $a_{h,HD}$ ) : 16 m/s<sup>2</sup>

Incertitude (K) : 1,5 m/s<sup>2</sup>

**Pour le modèle HR4510C****Pour les pays d'Europe uniquement**

ENG102-1

**Bruit**

Les niveaux de bruit pondéré A typiques sont déterminés selon 60745-2-6 :

Niveau de pression sonore ( $L_{pA}$ ) : 93 dB (A)Niveau de puissance sonore ( $L_{WA}$ ) : 104 dB (A)

Incertitude (K) : 3 dB (A)

**Portez des protections auditives.****Vibration**

ENG216-1

La valeur total des vibrations (somme du vecteur triaxial) est déterminée en fonction de la norme EN60745-2-6 :

Mode de fonctionnement : la fonction de ciselure avec le manche latéral

Émission de vibrations ( $a_{h,CHeq}$ ) : 8,5 m/s<sup>2</sup>Incertitude (K) : 1,5 m/s<sup>2</sup>

ENG306-1

Mode de fonctionnement : la fonction de ciselure avec la poignée latérale Émission de vibrations

( $a_{h,CHeq}$ ) : 8,5 m/s<sup>2</sup>Incertitude (K) : 1,5 m/s<sup>2</sup>

ENG303-1

Mode de fonctionnement : perçage avec percussion dans le béton, avec un diamètre de 25 mm et une profondeur de 180 mm.

Emission de vibrations ( $a_{h,HD}$ ) : 9,5 m/s<sup>2</sup>Incertitude (K) : 2 m/s<sup>2</sup>**Pour le modèle HR4511C****Pour les pays d'Europe uniquement**

ENG102-1

**Bruit**

Les niveaux de bruit pondéré A typiques sont déterminés selon 60745-2-6 :

Niveau de pression sonore ( $L_{pA}$ ) : 94 dB (A)Niveau de puissance sonore ( $L_{WA}$ ) : 105 dB (A)

Incertitude (K) : 3 dB (A)

**Portez des protections auditives.****Vibration**

ENG216-1

La valeur total des vibrations (somme du vecteur triaxial) est déterminée en fonction de la norme EN60745-2-6 :

Mode de fonctionnement : la fonction de ciselure avec le manche latéral

Émission de vibrations ( $a_{h,CHeq}$ ) : 7 m/s<sup>2</sup>Incertitude (K) : 1,5 m/s<sup>2</sup>

ENG306-1

Mode de fonctionnement : la fonction de ciselure avec la poignée latérale Émission de vibrations

( $a_{h,CHeq}$ ) : 7,5 m/s<sup>2</sup>Incertitude (K) : 1,5 m/s<sup>2</sup>

ENG303-1

Mode de fonctionnement : perçage avec impacts dans le béton, 25 mm de diamètre et 180 mm de profondeur

Emission de vibrations ( $a_{h,HD}$ ) : 7,5 m/s<sup>2</sup>Incertitude (K) : 1,5 m/s<sup>2</sup>**DÉCLARATION DE CONFORMITÉ CE**

ENH101-7

**Modèles : HR4501C, HR4510C, HR4511C**

Nous déclarons, sous notre entière responsabilité, que ce produit répond aux normes suivantes de documents normalisés :

EN60745, EN55014, EN61000 conformément aux Directives du Conseil, 2004/108/EC, 98/37/EC.

**CE 2006**


Tomoyasu Kato  
Directeur

Fabricant responsable :

**Makita Corporation**

3-11-8, Sumiyoshi-cho, Anjo, Aichi, JAPON

Représentant agréé en Europe :

**Makita International Europe Ltd.**

Michigan Drive, Tongwell, Milton Keynes, Bucks MK15

8JD, ANGLETERRE

# DEUTSCH

## Erklärung der Gesamtdarstellung

- |                     |                                     |                          |
|---------------------|-------------------------------------|--------------------------|
| 1. Ein/Aus-Schalter | 7. Anzeigenleuchte für Strom (grün) | 13. Bohrer-/Meißelfett   |
| 2. Hebelschalter    | 8. Service-Anzeigenleuchte (rot)    | 14. Einsatz              |
| 3. Einstellrad      | 9. Seitengriff                      | 15. Werkzeugverriegelung |
| 4. Umschalthebel    | 10. Befestigungsmutter              | 16. Tiefenanschlag       |
| 5. Zeiger           | 11. Seitenzusatzgriff               | 17. Klemmschraube        |
| 6. Arretiertaste    | 12. Aufnahmeschaft                  | 18. Ausblasvorrichtung   |

## TECHNISCHE ANGABEN

Modell		HR4501C	HR4510C	HR4511C
Kapazität	Einsatz mit Hartmetallspitze	45 mm		
	Bohrkrone	125 mm		
Leerlaufgeschwindigkeit (min <sup>-1</sup> )		130 - 280		
Schläge pro Minute		1.275 – 2.750		
Gesamtlänge		458 mm		
Nettogewicht		7,8 kg	8,3 kg	8,4 kg
Sicherheitsklasse		II/III		

- Aufgrund unserer fortschreitenden Forschungen und Entwicklungen sind Änderungen an den hier wiedergegebenen Angaben ohne Vorankündigung vorbehalten.
- Hinweisen die Angaben können sich je nach Land unterscheiden.

### Symbole

END201-2

Im Folgenden sind die Symbole dargestellt, die im Zusammenhang mit der Ausrüstung verwendet werden. Es ist wichtig, dass Sie deren Bedeutung vor dem Einsatz des Werkzeugs kennen.



....Lesen Sie die vorliegende Betriebsanleitung.



.....DOPPELT SCHUTZISOLIERT

### Verwendungszweck

ENE044-1

Das Werkzeug ist für Schlagbohren in Ziegel, Beton und Stein sowie für Meißelarbeiten vorgesehen.

### Stromversorgung

ENF002-1

Das Werkzeug darf nur an Stromquellen mit der auf dem Typenschild angegebenen Spannung und einphasigem Wechselstrom angeschlossen werden. Aufgrund der Doppelsolierung nach europäischem Standard kann das Werkzeug auch an Steckdosen ohne Erdungsleiter betrieben werden.

## BESONDERE SICHERHEITSHINWEISE

GEB007-2

Lassen Sie sich **NIE** durch Bequemlichkeit oder (aus fortwährendem Gebrauch gewonnener) Vertrautheit mit dem Gerät dazu verleiten, die Sicherheitsregeln für den Bohrerhammer zu missachten. Wenn Sie dieses Werkzeug fahrlässig oder nicht ordnungsgemäß verwenden, kann es zu schweren Personenschäden kommen.

1. **Tragen Sie Gehörschutz.** Lärm ausgesetzt zu sein, kann zu Gehörverlust führen.

2. **Verwenden Sie die mit dem Werkzeug gelieferten Zusatzgriffe.** Kontrollverlust kann zu Personenschäden führen.
3. **Halten Sie das Elektrowerkzeug an den isolierten Griffflächen, wenn Sie Arbeiten durchführen, bei denen das Schneidwerkzeug versteckte Verkabelung oder das eigene Kabel berühren kann.** Der Kontakt mit einem Strom führenden Kabel leitet diesen an die metallenen Teile des Werkzeugs weiter und verursacht einen Stromschlag beim Bediener.
4. **Tragen Sie einen Sicherheitshelm, Sicherheitsgläser und/oder Gesichtsschutz. Bei einer gewöhnlichen Brille oder Sonnenbrille handelt es sich NICHT um eine Sicherheitsbrille. Auch das Tragen dick gefütterter Handschuhe und einer Staubmaske wird empfohlen.**
5. **Überprüfen Sie vor der Inbetriebnahme, ob der Einsatz fest sitzt.**
6. **Unter normalen Betriebsbedingungen erzeugt das Werkzeug Vibrationen. Hierdurch können sich Schrauben lösen, was zu Aus- und Infällen führen kann. Überprüfen Sie vor der Arbeit sorgsam den Sitz der Schrauben.**
7. **Bei kaltem Wetter oder wenn das Werkzeug längere Zeit nicht benutzt wurde, lassen Sie das Gerät eine Zeit lang ohne Last warm laufen. Hierdurch wird die Schmierung gelockert. Ohne ordentliches Aufwärmen ist der Betrieb des Hammers schwierig.**
8. **Achten Sie jederzeit auf einen festen Stand. Achten Sie darauf, dass sich niemand unter Ihnen befindet, wenn Sie das Werkzeug an erhöhten Orten verwenden.**
9. **Halten Sie das Werkzeug mit beiden Händen fest.**
10. **Halten Sie Ihre Hände von den beweglichen Teilen fern.**

11. Lassen Sie das Werkzeug nicht laufen. Das Werkzeug darf nur dann in Betrieb sein, wenn es festgehalten wird.
12. Zeigen Sie mit dem Werkzeug während des Betriebs nicht auf Personen in Ihrer Umgebung. Der Einsatz könnte sich lösen und zu schweren Verletzungen führen.
13. Berühren Sie kurz nach dem Betrieb nicht den Einsatz oder ihm nahe liegende Teile. Diese können extrem heiß sein und zu Verbrennungen führen.
14. Einige Materialien enthalten Chemikalien, die giftig sein können. Vermeiden Sie das Einatmen von Staub und den Kontakt mit der Haut. Befolgen Sie die Sicherheitshinweise des Materialherstellers.

## BEWAHREN SIE DIESE ANWEISUNGEN SORGFÄLTIG AUF.

### WARNUNG:

**MISSBRAUCH** oder Missachtung der in diesem Handbuch enthaltenen Sicherheitshinweise können zu schweren Personenschäden führen.

## FUNKTIONSBESCHREIBUNG

### ACHTUNG:

- Schalten Sie das Werkzeug stets aus und ziehen Sie den Stecker, bevor Sie Einstellungen oder eine Funktionsprüfung des Werkzeugs vornehmen.

### Bedienung des Schalters (Abb. 1)

#### MODELL HR4511C

### ACHTUNG:

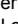
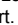
- Achten Sie vor dem Einstecken des Werkzeug-Netzsteckers darauf, dass sich der Ein/Aus-Schalter korrekt bedienen lässt und beim Loslassen in die Position „OFF“ (AUS) zurückkehrt.

Betätigen Sie zum Starten des Werkzeugs einfach den Ein/Aus-Schalter. Lassen Sie zum Ausschalten des Werkzeugs den Ein/Aus-Schalter los.

#### MODELLE HR4510C/ HR4501C

#### Auslöseschaltung

### ACHTUNG:

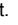
- Achten Sie vor dem Einstecken des Werkzeug-Netzsteckers darauf, dass sich der Ein/Aus-Schalter korrekt bedienen lässt und beim Loslassen in die Position „OFF“ (AUS) zurückkehrt.
- Dieser Schalter kann genutzt werden, wenn das Werkzeug auf die durch die entsprechenden Symbole gekennzeichneten Modi  und  gestellt ist.

Betätigen Sie zum Starten des Werkzeugs einfach den Ein/Aus-Schalter. Lassen Sie zum Ausschalten des Werkzeugs den Ein/Aus-Schalter los.

#### Schiebeschalter

### ACHTUNG:

- Achten Sie vor dem Einstecken des Werkzeugs stets darauf, dass dieses ausgeschaltet ist.

- Dieser Schalter kann nur genutzt werden, wenn das Werkzeug auf den durch das entsprechende Symbol gekennzeichneten Aktionsmodus  gestellt ist. Wenn das Werkzeug über einen längeren Zeitraum im Schlagmodus verwendet wird, kann der Schiebeschalter verwendet werden. Drücken Sie zum Starten des Werkzeugs die Seite „I (ON)“ des Hebelschalters. Drücken Sie zum Stoppen des Werkzeugs die Seite „O (OFF)“ des Hebelschalters. (Abb. 2)

### Änderung der Geschwindigkeit (Abb. 3)

Die Umdrehungen und Schläge pro Minute können einfach durch Drehen am Einstellrad geändert werden. Das Rad hat Markierungen von 1 (niedrigste Geschwindigkeit) bis 5 (Höchstgeschwindigkeit). In der folgenden Tabelle ist die Beziehung zwischen der Zahleneinstellung am Einstellrad und den Umdrehungen/Schlägen pro Minute angegeben.

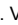
Zahl am Einstellrad	Umdrehungen pro Minute	Schläge pro Minute
5	280	2.750
4	260	2.550
3	200	1.950
2	150	1.450
1	130	1.250

### ACHTUNG:

- Wenn das Werkzeug längere Zeit dauerhaft bei niedriger Drehzahl betrieben wird, wird der Motor überlastet, und es treten Fehlfunktionen beim Werkzeug auf.
- Das Drehzahl-Einstellrad lässt sich nur bis 5 und zurück auf 1 drehen. Wird es gewaltsam über 5 oder 1 hinaus gedreht, lässt sich die Drehzahl möglicherweise nicht mehr einstellen.


## Auswahl des Aktionsmodus

### Schlagbohren (Abb. 4 und 5)


Drücken Sie für Bohrarbeiten in Beton, Mauerwerk usw. die Arretiertaste nach unten, und drehen Sie den Zeiger des Umschalthebels auf das Symbol . Verwenden Sie einen Einsatz mit einer Hartmetallspitze.

### Nur Schlag


#### MODELLE HR4501C UND HR4510 (Abb. 6)

Drücken Sie zum Splittern, Abblättern oder für Abbrucharbeiten die Arretiertaste nach unten, und drehen Sie den Zeiger des Umschalthebels auf das Symbol . Verwenden Sie einen Punkthammer, Kaltmeißel, Verzunderungsmeißel usw.


#### Für Schlag im Dauerbetrieb (NUR MODELLE HR4501C UND HR4510C) (Abb. 7)

Drücken Sie zum Splittern, Abblättern oder für Abbrucharbeiten die Arretiertaste nach unten, und drehen Sie den Zeiger des Umschalthebels auf das Symbol . Verwenden Sie einen Punkthammer, Kaltmeißel, Verzunderungsmeißel usw.

### ACHTUNG:

- Wird das Werkzeug im Modus  eingesetzt, funktioniert der Ein/Aus-Schalter nicht, sondern nur der Schiebeschalter.

## MODELL HR4511C (Abb. 8)

Drücken Sie zum Splittern, Ablättern oder für Abbrucharbeiten die Arretiertaste nach unten, und drehen Sie den Zeiger des Umschalthebels auf das Symbol . Verwenden Sie einen Punkthammer, Kaltmeißel, Verzunderungsmeißel usw.

### ACHTUNG:

- Der Umschalthebel darf nicht gedreht werden, solange das Werkzeug unter Last betrieben wird. Andernfalls wird das Werkzeug beschädigt.
- Zur Vermeidung eines vorzeitigen Verschleißes des Mechanismus zum Wechsel des Modus müssen Sie darauf achten, dass der Umschalthebel immer richtig an einer der zwei bzw. drei Positionen des Aktionsmodus sitzt.

## Drehmomentbegrenzung

Die Drehmomentbegrenzung schaltet sich ein, wenn eine bestimmte Drehmomentstufe erreicht ist. Der Motor wird von der Antriebswelle ausgekuppelt. In diesem Fall kommt der Einsatz zum Stillstand.

### ACHTUNG:

- Wenn sich die Drehmomentbegrenzung einschaltet, muss das Werkzeug sofort ausgeschaltet werden. Auf diese Weise wird ein vorzeitiger Verschleiß des Werkzeugs vermieden.

## Anzeigenleuchte (Abb. 9)

Die grüne Anzeigenleuchte „Power-ON“ für den Strom leuchtet auf, sobald das Werkzeug eingesteckt wird. Wenn die Anzeigenleuchte nicht aufleuchtet, können das Stromkabel oder die Steuerungseinheit defekt sein. Wenn die Anzeigenleuchte leuchtet und das Werkzeug nicht startet, obwohl es eingeschaltet wird, können die Kohlebürsten verbraucht sein, oder die Steuerungseinheit, der Motor oder ON/OFF-Schalter ist defekt.

Die rote Service-Anzeigenleuchte leuchtet auf, wenn die Kohlebürsten fast verbraucht sind. Somit wissen Sie, dass das Werkzeug gewartet werden muss. Nach etwa 8 Stunden Betriebsdauer schaltet sich der Motor automatisch aus.

## MONTAGE

### ACHTUNG:

- Schalten Sie das Werkzeug stets aus und ziehen Sie den Stecker, bevor Sie irgendwelche Arbeiten am Werkzeug durchführen.

## Seitengriff (Abb. 10)

### ACHTUNG:

- Verwenden Sie den Seitengriff nur beim Splittern, Ablättern oder für Abbrucharbeiten. Verwenden Sie ihn nicht für Bohrarbeiten in Beton, Mauerwerk usw. Beim Bohren kann das Werkzeug nicht richtig an diesem Seitengriff gehalten werden.

Der Seitengriff kann vertikal um 360° gedreht und an jeder gewünschten Position festgestellt werden. Außerdem kann er horizontal an acht verschiedenen Positionen vor- und zurückgestellt werden. Sie müssen lediglich die Befestigungsmutter lockern, um den Seitengriff an die

gewünschte Position drehen zu können. Ziehen Sie anschließend die Befestigungsmutter fest an. (Abb. 11)

## Seitenzusatzgriff (Abb. 12)

### ACHTUNG:

- Verwenden Sie bei Bohrarbeiten in Beton, Mauerwerk usw. stets den Seitenzusatzgriff, damit die Betriebssicherheit gewährleistet ist.

Da der Seitenzusatzgriff auf jede Seite schwingt, kann das Werkzeug in jeder Position bequem bedient werden. Lockern Sie den Seitenzusatzgriff durch Drehen gegen den Uhrzeigersinn, stellen Sie ihn in die gewünschte Position, und befestigen Sie ihn dann wieder durch Drehen im Uhrzeigersinn.


## Montage und Demontage des Einsatzes (Abb. 13)

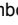
Reinigen Sie den Aufnahmeschaft, und schmieren Sie ihn vor der Montage des Einsatzes mit ein wenig Fett. Montieren Sie den Einsatz am Werkzeug. Drehen Sie den Einsatz und drücken Sie ihn hinein, bis er einrastet. (Abb. 14)

Wenn der Einsatz nicht hineingedrückt werden kann, entfernen Sie ihn. Ziehen Sie die Werkzeugverriegelung einige Male nach unten. Montieren Sie dann den Einsatz erneut. Drehen Sie den Einsatz und drücken Sie ihn hinein, bis er einrastet.

Überprüfen Sie nach der Montage stets, ob der Einsatz einwandfrei sitzt, indem Sie versuchen, ihn herausziehen. Ziehen Sie die Werkzeugverriegelung zum Entfernen des Einsatzes ganz nach unten, und ziehen Sie den Einsatz heraus. (Abb. 15)

## Winkel des Einsatzes (beim Splittern, Ablättern oder Abbruch) (Abb. 16 und 17)

Der Einsatz kann in 12 verschiedenen Winkeln festgestellt werden. Drücken Sie zur Änderung des Einsatzwinkels die Arretiertaste nach unten, und drehen Sie den Umschalthebel auf das Symbol .

Drehen Sie den Einsatz bis zum gewünschten Winkel. Drücken Sie die Arretiertaste nach unten, und drehen Sie den Umschalthebel auf das Symbol . Überprüfen Sie anschließend durch leichtes Drehen am Einsatz, ob er fest sitzt. (Abb. 18 und 19)

## Tiefenanschlag (Abb. 20)

Der Tiefenanschlag ist beim Bohren von Löchern mit einer einheitlichen Bohrtiefe hilfreich. Lockern Sie die Klemmschraube, und stellen Sie den Tiefenanschlag auf die gewünschte Tiefe ein. Ziehen Sie die Klemmschraube nach der Einstellung fest an.

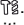
### HINWEIS:

- Der Tiefenanschlag kann nicht an der Stelle verwendet werden, an der er gegen das Getriebe-/Motorgehäuse schlägt.



## BETRIEB

### Schlagbohrbetrieb (Abb. 21)

Stellen Sie den Umschalthebel auf das Symbol . Setzen Sie den Einsatz auf die gewünschte Position für die Bohrung, und betätigen Sie dann den Ein/Aus-Schalter. Üben Sie keinen übermäßigen Druck auf das Werkzeug aus. Wenn Sie nur leichten Druck ausüben, erzielen Sie die besten Ergebnisse. Halten Sie das Werkzeug in Position, und achten Sie darauf, dass es nicht von der Bohrung abrutscht. Verstärken Sie den Druck nicht, wenn die Bohrung durch Holzspäne oder -partikel verstopft ist. Führen Sie stattdessen das Werkzeug im Leerlauf aus, und entfernen Sie dann den Einsatz teilweise aus der Bohrung. Wenn Sie diesen Vorgang mehrmals wiederholen, wird die Bohrung gesäubert, und Sie können den normalen Bohrvorgang fortsetzen.

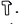
#### ACHTUNG:

- Beim Durchschlag des Einsatzes in Beton oder wenn der Einsatz auf Verstärkungsstangen im Beton trifft, kann das Werkzeug gefährlich reagieren. Achten Sie auf eine gute Balance und einen sicheren Stand, während Sie das Werkzeug fest mit beiden Händen halten. Auf diese Weise können Sie gefährliche Reaktionen abfangen.

### Ausblasvorrichtung (optionales Zubehör) (Abb. 22)

Wenn Sie das Loch gebohrt haben, entfernen Sie mit Hilfe der Ausblasvorrichtung den Staub aus der Bohrung.

### Splittern/Abblättern/Abbruch (Abb. 23)

Stellen Sie den Umschalthebel auf das Symbol . Halten Sie das Werkzeug mit beiden Händen fest. Schalten Sie das Werkzeug ein und üben Sie leichten Druck darauf aus, so dass es nicht unkontrolliert herumspringt. Ein stärkerer Druck auf das Werkzeug erhöht nicht dessen Wirkungsgrad.

## WARTUNG

#### ACHTUNG:

- Schalten Sie das Werkzeug stets aus und ziehen Sie den Stecker, bevor Sie Prüfungen oder Wartungsarbeiten am Werkzeug durchführen.
- Diese Wartungsarbeit sollte nur von autorisierten Makita-Servicecentern durchgeführt werden.

Dieses Werkzeug braucht nicht stündlich oder täglich gefettet zu werden, da es über ein fettgeschmiertes Schmiermittelsystem verfügt. Es sollte jedoch in regelmäßigen Abständen nachgefettet werden. Senden Sie für diesen Schmierdienst das Werkzeug an ein von Makita autorisiertes Service Center.

Um die SICHERHEIT und ZUVERLÄSSIGKEIT des Produkts zu gewährleisten, sollten Reparaturen, Wartungsarbeiten und Einstellungen nur durch von Makita autorisierte Servicecenter durchgeführt und immer Makita-Ersatzteile verwendet werden.

## ZUBEHÖR

#### ACHTUNG:

- Die folgenden Zubehör- und Zusatzteile werden für das in diesem Handbuch beschriebene Makita-Werkzeug empfohlen. Die Verwendung anderer Zubehör- und Zusatzteile kann zu Personenschäden führen. Verwenden Sie Zubehör- und Zusatzteile nur für den vorgesehenen Zweck.

Informationen zu diesem Zubehör erhalten Sie bei einem Makita-Servicecenter in Ihrer Nähe.

- SDS-Max-Hartmetallspitzen
- SDS-Max-Punkthammer
- SDS-MAX-Kaltmeißel
- SDS-MAX-Verzunderungsmeißel
- SDS-MAX-Fließeisenmeißel
- SDS-MAX-Lehmspaten
- Hammerfett
- Bohrer-/Meißelfett
- Seitengriff
- Seitenzusatzgriff
- Tiefenanschlag
- Ausblasvorrichtung
- Schutzbrille
- Transportkoffer

#### Modell HR4501C

Nur für europäische Länder

ENG102-1

#### Geräuschpegel

Typischer effektiver Geräuschpegel nach 60745-2-6:

Schalldruckpegel ( $L_{pA}$ ): 94 dB (A)

Schallleistungspegel ( $L_{WA}$ ): 105 dB (A)

Abweichung (K): 3 dB (A)

**Tragen Sie Gehörschutz.**

#### Schwingung

ENG216-1

Schwingungsgesamtwerte (Vektorsumme dreier Achsen) nach EN60745-2-6:

Arbeitsmodus: Meißelfunktion mit Seitengriff

Schwingungsbelastung ( $a_{h,CHD}$ ): 12,5 m/s<sup>2</sup>

Abweichung (K): 1,5 m/s<sup>2</sup>

ENG306-1

Arbeitsmodus: Meißelfunktion mit Seitenzusatzgriff

Schwingungsbelastung ( $a_{h,HD}$ ): 12,5 m/s<sup>2</sup>

Abweichung (K): 1,5 m/s<sup>2</sup>

ENG303-1

Arbeitsmodus: Schlagbohren in Beton, 25 mm

Durchmesser und 180 mm Tiefe

Schwingungsbelastung ( $a_{h,HD}$ ): 16 m/s<sup>2</sup>

Abweichung (K): 1,5 m/s<sup>2</sup>

**Modell HR4510C****Nur für europäische Länder**

ENG102-1

**Geräuschpegel**

Die typischen effektiven Geräuschpegel nach 60745-2-6:

Schalldruckpegel ( $L_{pA}$ ): 93 dB (A)Schalleistungspegel ( $L_{WA}$ ): 104 dB (A)

Abweichung (K): 3 dB (A)

**Tragen Sie Gehörschutz.****Schwingung**

ENG216-1

Schwingungsgesamtwerte (Vektorsumme dreier Achsen) nach EN60745-2-6:

Arbeitsmodus: Meißelfunktion mit Seitengriff

Schwingungsbelastung ( $a_{h,CHeq}$ ): 8,5 m/s<sup>2</sup>Abweichung (K): 1,5 m/s<sup>2</sup>

ENG306-1

Arbeitsmodus: Meißelfunktion mit Seitenzusatzgriff

Vibrationsbelastung ( $a_{h,CHeq}$ ): 8,5 m/s<sup>2</sup>Abweichung (K): 1,5 m/s<sup>2</sup>

ENG303-1

Arbeitsmodus: Schlagbohren in Beton, 25 mm Durchmesser und 180 mm Tiefe

Schwingungsbelastung ( $a_{h,HD}$ ): 9,5 m/s<sup>2</sup>Abweichung (K): 2 m/s<sup>2</sup>**Modell HR4511C****Nur für europäische Länder**

ENG102-1

**Geräuschpegel**

Die typischen effektiven Geräuschpegel nach 60745-2-6:

Schalldruckpegel ( $L_{pA}$ ): 94 dB (A)Schalleistungspegel ( $L_{WA}$ ): 105 dB (A)

Abweichung (K): 3 dB (A)

**Tragen Sie Gehörschutz.****Schwingung**

ENG216-1

Schwingungsgesamtwerte (Vektorsumme dreier Achsen) nach EN60745-2-6:

Arbeitsmodus: Meißelfunktion mit Seitengriff

Schwingungsbelastung ( $a_{h,CHeq}$ ): 7 m/s<sup>2</sup>Abweichung (K): 1,5 m/s<sup>2</sup>

ENG306-1

Arbeitsmodus: Meißelfunktion mit Seitenzusatzgriff

Vibrationsbelastung ( $a_{h,CHeq}$ ): 7,5 m/s<sup>2</sup>Abweichung (K): 1,5 m/s<sup>2</sup>

ENG303-1

Arbeitsmodus: Schlagbohren in Beton, 25 mm Durchmesser und 180 mm Tiefe

Schwingungsbelastung ( $a_{h,HD}$ ): 7,5 m/s<sup>2</sup>Abweichung (K): 1,5 m/s<sup>2</sup>**EG-KONFORMITÄTSERKLÄRUNG**

ENH101-7

**Modelle HR4501C, HR4510C, HR4511C**

Wir erklären in alleiniger Verantwortung, dass sich dieses Produkt in Übereinstimmung mit den folgenden Normen der Normdokumente

EN60745, EN55014, EN61000 befindet sowie in Übereinstimmung mit den Ratsverordnungen 2004/108/EC, 98/37/EC.

**CE 2006**Tomoyasu Kato  
Direktor

Verantwortlicher Hersteller:

**Makita Corporation**

3-11-8, Sumiyoshi-cho, Anjo, Aichi, JAPAN

Autorisierte Vertretung in Europa:

**Makita International Europe Ltd.**

Michigan Drive, Tongwell, Milton Keynes, Bucks MK15 8JD, ENGLAND

**Spiegazione della vista generale**

- |  |                             |                           |
|--|-----------------------------|---------------------------|
| 1. Interruttore                        | 8. Spia di servizio (rossa) | 16. Calibro di profondità |
| 2. Leva dell'interruttore              | 9. Impugnatura laterale     | 17. Vite di serraggio     |
| 3. Ghiera di regolazione               | 10. Dado di serraggio       | 18. Soffietto a peretta   |
| 4. Leva di selezione della modalità    | 11. Impugnatura laterale    |                           |
| 5. Indicatore                          | 12. Gambo della punta       |                           |
| 6. Pulsante di blocco                  | 13. Grasso per punte        |                           |
| 7. Spia indicazione accensione (verde) | 14. Punta                   |                           |
|  | 15. Copertura del mandrino  |                           |

**CARATTERISTICHE TECNICHE**

Modello		HR4501C	HR4510C	HR4511C
Capacità di foratura	Punta al carburo di tungsteno	45 mm		
	Punta centrale	125 mm		
Velocità a vuoto (min <sup>-1</sup> )		130 - 280		
Colpi al minuto		1.275 - 2.750		
Lunghezza totale		458 mm		
Peso netto		7,8 kg	8,3 kg	8,4 kg
Classe di sicurezza		II/II		

- Le caratteristiche tecniche riportate di seguito sono soggette a modifiche senza preavviso in virtù del nostro programma continuo di ricerca e sviluppo.
- Nota: le caratteristiche tecniche possono differire da paese a paese.

**Simboli**

END201-2

Il seguente elenco riporta i simboli utilizzati per questo utensile. È importante comprenderne il significato prima di utilizzare l'utensile.



..... Leggere il manuale di istruzioni.



..... ISOLAMENTO DOPPIO

**Uso previsto**

ENE044-1

L'utensile è progettato per la foratura a percussione di mattoni, cemento e pietra, e per lavori di scalpellatura.

**Alimentazione**

ENF002-1

L'utensile deve essere collegato a una presa di corrente con la stessa tensione di quella indicata sulla targhetta e può funzionare soltanto con corrente alternata monofase. L'utensile è dotato di doppio isolamento in osservanza alle norme europee, pertanto può essere usato anche con prese di corrente sprovviste della messa a terra.

**REGOLE SPECIFICHE DI SICUREZZA**

GEB007-2

**NON lasciare che la familiarità acquisita con il prodotto in seguito all'uso ripetuto provochi l'inosservanza delle regole di sicurezza del martello rotativo. Se questo utensile viene utilizzato in modo improprio o errato, è possibile subire lesioni personali gravi.**

- Indossare protezioni acustiche.** L'esposizione al rumore può causare la perdita della capacità uditiva.
- Utilizzare le maniglie ausiliarie fornite con l'utensile.** La perdita di controllo può provocare lesioni personali.
- Se si eseguono operazioni in cui l'utensile può toccare fili nascosti o il cavo di alimentazione, impugnare l'utensile utilizzando i punti di presa isolati.** Il contatto con un filo in tensione farà sì che le parti metalliche esposte dell'utensile si trovino anch'esse sotto tensione provocando scosse elettriche all'operatore.
- Indossare un elmetto (casco di sicurezza), occhiali di sicurezza e/o visiere protettivi.** I comuni occhiali da vista o da sole **NON** sono occhiali di sicurezza. Si consiglia anche di indossare una maschera antipolvere e guanti imbottiti.
- Prima di azionare l'utensile, verificare che la punta sia fissata nella posizione corretta.**
- In condizioni d'uso normali, l'utensile è progettato per produrre vibrazioni.** Le viti si possono allentare facilmente, causando rotture o incidenti. Prima di azionare l'utensile, controllare che le viti siano serrate.
- Con clima freddo o se l'utensile non è stato utilizzato per molto tempo, lasciare riscaldare**

l'utensile per qualche istante azionandolo senza carico. Questo renderà più efficace la lubrificazione. Le operazioni con percussione risultano più difficoltose senza un preriscaldamento adeguato.

8. Accertarsi sempre di avere un equilibrio stabile. Controllare che nessuno si trovi sotto all'utensile quando lo si utilizza in posizioni elevate.
9. Tenere saldamente l'utensile con entrambe le mani.
10. Mantenere le mani lontano dalle parti in movimento.
11. Non lasciare l'utensile acceso. Azionare l'utensile solo dopo averlo impugnato.
12. Non puntare l'utensile verso persone presenti nell'area di lavoro. Un'eventuale fuoriuscita della punta potrebbe provocare lesioni gravi.
13. Non toccare la punta o le parti vicino alla punta subito dopo aver utilizzato l'utensile in quanto possono raggiungere temperature elevate e provocare ustioni.
14. Alcuni materiali contengono prodotti chimici che possono essere tossici. Evitare l'inalazione della polvere e il contatto con la pelle. Attenersi alle istruzioni per la sicurezza del fornitore dei materiali.

## CONSERVARE QUESTE ISTRUZIONI.

### AVVERTENZA:

L'USO IMPROPRIO o la mancata osservanza delle norme di sicurezza contenute in questo manuale può provocare lesioni personali gravi.

## DESCRIZIONE FUNZIONALE

### ATTENZIONE:

- Prima di regolare o controllare le funzioni dell'utensile, verificare sempre di averlo spento e scollegato dall'alimentazione.

### Azionamento dell'interruttore (Fig. 1)

#### PER IL MODELLO HR4511C

### ATTENZIONE:



- Prima di collegare l'utensile, controllare che l'interruttore funzioni correttamente e ritorni alla posizione "OFF" una volta rilasciato.

Per accendere l'utensile è sufficiente premere l'interruttore. Per spegnere l'utensile, rilasciare l'interruttore.

#### PER I MODELLI HR4510C/HR4501C

### Interruttore


### ATTENZIONE:

- Prima di collegare l'utensile, controllare che l'interruttore funzioni correttamente e ritorni alla posizione "OFF" una volta rilasciato.
- Questo interruttore funziona quando l'utensile è impostato per le modalità d'uso indicate dai simboli  o .

Per accendere l'utensile è sufficiente premere l'interruttore. Per spegnere l'utensile, rilasciare l'interruttore.

### Interruttore a scorrimento

### ATTENZIONE:

- Prima di collegare l'utensile all'alimentazione elettrica, verificare che sia spento.
- Questo interruttore funziona solo quando l'utensile è impostato per la modalità d'uso indicata dal simbolo .

L'interruttore a scorrimento è comodo quando si utilizza l'utensile per tempi prolungati. Per avviare l'utensile, premere il lato "I (ON)" della leva dell'interruttore. Per fermare l'utensile, premere il lato "O (OFF)" della leva dell'interruttore. (Fig. 2)

### Modifica della velocità (Fig. 3)

Il numero di giri e di colpi al minuto possono essere regolati ruotando la ghiera di regolazione. I segni sulla ghiera vanno da 1 (velocità minima) a 5 (velocità massima).

Fare riferimento alla tabella seguente per quanto riguarda la relazione fra la posizione della ghiera e il numero di giri e di colpi al minuto.


Numero sulla ghiera di regolazione	Giri al minuto	Colpi al minuto
5	280	2.750
4	260	2.550
3	200	1.950
2	150	1.450
1	130	1.250

### ATTENZIONE:

- Se l'utensile è usato per molto tempo a basse velocità, in modo continuativo, il motore risulterà sovraccaricato, con il risultato di un cattivo funzionamento.
- La ghiera di regolazione della velocità può essere ruotata soltanto fino a 5 o indietro fino a 1. Non forzarla oltre 5 o 1: potrebbe non funzionare più correttamente.

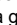
### Selezione della modalità operativa

#### Foratura con percussione (Fig. 4 e 5)

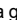
Per la foratura di cemento, muratura, eccetera, rilasciare il pulsante di blocco e ruotare la leva di selezione della modalità operativa fino al simbolo . Utilizzare una punta a carburo di tungsteno.

#### Solo percussione

#### PER I MODELLI HR4501C E HR4510C (Fig. 6)

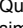
Per scalpellare, scagliare o demolire, rilasciare il pulsante di blocco e ruotare la leva di selezione della modalità operativa fino al simbolo . Utilizzare una punta gigante, uno scalpello a freddo, uno scalpello per scagliatura, eccetera.

#### Per un'operazione di percussione prolungata (SOLO PER I MODELLI HR4501C E HR4510C) (Fig. 7)

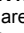
Per scalpellare, scagliare o demolire, rilasciare il pulsante di blocco e ruotare la leva di selezione della modalità operativa fino al simbolo . Utilizzare una punta gigante,

uno scalpello a freddo, uno scalpello per scagliatura, eccetera.

#### ATTENZIONE:

- Quando si usa l'utensile nella modalità indicata dal simbolo , l'interruttore ordinario è disattivato: funziona solo l'interruttore a scorrimento.

#### PER IL MODELLO HR4511C (Fig. 8)

Per scalpellare, scagliare o demolire, rilasciare il pulsante di blocco e ruotare la leva di selezione della modalità operativa fino al simbolo . Utilizzare una punta gigante, uno scalpello a freddo, uno scalpello per scagliatura, eccetera.

#### ATTENZIONE:

- Non ruotare la leva di selezione della modalità operativa mentre l'utensile è acceso e sotto carico. L'utensile potrebbe essere danneggiato.
- Per evitare una rapida usura del meccanismo di modifica della modalità, accettarsi che la leva di selezione della modalità operativa sia sempre posizionata correttamente su una delle tre posizioni previste.

### Limitatore di coppia

Il limitatore di coppia si attiva quando viene raggiunto un certo livello di coppia. Il motore si disinnesta dall'albero motore. In tal caso, la punta smette di girare.

#### ATTENZIONE:

- Non appena il limitatore di coppia si attiva, spegnere immediatamente l'utensile. Questo previene l'usura prematura dell'utensile.

### Spia luminosa (Fig. 9)

La spia verde dell'alimentazione si accende quando l'utensile è collegato alla presa di corrente. Se la spia non si accende, il cavo di alimentazione o il controller potrebbero essere difettosi. Se la spia si accende ma l'utensile non si avvia nonostante sia acceso, potrebbero essersi usurate le spazzole di carbone oppure il controller, il motore o l'interruttore potrebbero essere difettosi.

La spia di servizio rossa si accende quando le spazzole di carbone sono quasi del tutto usurate, per indicare che l'utensile ha bisogno di manutenzione. Il motore viene automaticamente disattivato dopo circa 8 ore di utilizzo.

## MONTAGGIO

#### ATTENZIONE:

- Accertarsi sempre che l'utensile sia spento e scollegato dalla presa di corrente prima di iniziare qualsiasi operazione su di esso.

### Impugnatura laterale (Fig. 10)

#### ATTENZIONE:

- Usare l'impugnatura laterale solo per scalpellare, scagliare o demolire. Non utilizzarla per forare cemento, murature, eccetera. Non è possibile sorreggere correttamente l'utensile mediante questa impugnatura durante la perforazione.

L'impugnatura laterale può essere girata a 360° in verticale e fissata in qualunque posizione desiderata. Si può anche fissare orizzontalmente, avanti e indietro, in

otto diverse posizioni. Per girare l'impugnatura nella posizione desiderata è sufficiente allentare il dado di serraggio. Dopo l'operazione, stringere completamente il dado di serraggio. (Fig. 11)

### Impugnatura laterale (Fig. 12)

#### ATTENZIONE:

- Usare sempre il manico laterale per lavorare con sicurezza durante le operazioni di foratura in cemento, muratura, eccetera.

Il manico laterale può essere collocato su entrambi i lati dell'utensile per consentire una presa sicura in qualsiasi posizione di lavoro. Allentare il manico laterale ruotandolo in senso antiorario, collocarlo nella posizione desiderata e fissarlo, ruotandolo in senso orario.

### Installazione o rimozione della punta

#### (Fig. 13)

Pulire il gambo della punta e applicare il grasso prima di installare la punta.


Inserire la punta nell'utensile. Ruotare la punta e spingere fino ad agganciarla. (Fig. 14)

Se non è possibile inserire la punta, rimuoverla.

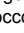
Abbassare la copertura del mandrino un paio di volte. Quindi inserire nuovamente la punta. Ruotare la punta e spingere fino ad agganciarla.

Dopo l'installazione, verificare sempre che la punta rimanga saldamente in posizione, provando ad estrarla. Per rimuovere la punta, abbassare completamente la copertura del mandrino ed estrarre la punta. (Fig. 15)

### Angolo della punta (durante la scapellatura, la scagliatura o la demolizione) (Fig. 16 e 17)

È possibile fissare la punta secondo 12 angoli diversi. Per modificare l'angolo della punta, rilasciare il pulsante di blocco e ruotare la leva di selezione della modalità operativa fino al simbolo .

Ruotare la punta fino all'angolo desiderato.

Rilasciare il pulsante di blocco e ruotare la leva per la modifica della modalità operativa fino al simbolo . Quindi verificare che la punta rimanga saldamente in posizione ruotandola leggermente. (Fig. 18 e 19).

### Calibro di profondità (Fig. 20)


Il calibro di profondità è utile per praticare fori della stessa profondità. Allentare la vite di serraggio e regolare il calibro di profondità alla profondità desiderata. Al termine della regolazione, stringere saldamente la vite di serraggio.

#### NOTA:

- Non è possibile utilizzare il calibro di profondità quando tocca l'alloggiamento degli ingranaggi o del motore.

## USO

### Foratura con percussione (Fig. 21)

Impostare la leva di selezione della modalità sul simbolo .

Collocare la punta nella posizione desiderata per il foro, quindi premere l'interruttore. Non forzare l'utensile. Una pressione lieve produce i risultati migliori. Mantenere

l'utensile in posizione e impedire che la punta fuoriesca dal foro.

Non aumentare la pressione quando il foro è ostruito da frammenti o schegge. Al contrario, azionare l'utensile alla velocità minima, quindi rimuovere parzialmente la punta dal foro. Ripetere l'operazione più volte fino a quando il foro risulta sgombro ed è possibile riprendere la foratura.


#### ATTENZIONE:

- Se la punta comincia a sfondare il cemento, o se urta contro barre di rinforzo all'interno del cemento, l'utensile può avere una reazione pericolosa. Mantenere un buon bilanciamento e una buona presa a terra e sorreggere fermamente l'utensile con entrambe le mani per evitare reazioni pericolose.

### Soffietto a peretta (accessorio opzionale) (Fig. 22)

Al termine della foratura, utilizzare il soffietto a peretta per ripulire il foro dalla polvere.

### Scalpellatura/scagliatura/demolizione (Fig. 23)

Impostare la leva di selezione della modalità sul simbolo .

Tenere saldamente l'utensile con entrambe le mani. Accendere l'utensile e applicare una leggera pressione in modo da evitare rimbalzi non controllati. L'efficienza dell'utensile non aumenta se si applica una pressione più forte.

## MANUTENZIONE

#### ATTENZIONE:

- Prima di effettuare controlli e operazioni di manutenzione, verificare sempre che l'utensile sia spento e scollegato.
- Questa manutenzione deve essere effettuata solo da centri di assistenza autorizzati Makita.

Questo utensile non richiede una lubrificazione quotidiana o regolare, perché dispone di un sistema di lubrificazione con grasso. È necessario lubrificarlo regolarmente. Per il servizio di lubrificazione, inviare l'utensile completo a un centro di assistenza autorizzato Makita.

Per mantenere la SICUREZZA e l'AFFIDABILITÀ del prodotto, le riparazioni e qualsiasi altra operazione di manutenzione o regolazione devono essere eseguiti dai centri di assistenza autorizzati Makita utilizzando sempre parti di ricambio Makita.

## ACCESSORI

#### ATTENZIONE:

- Si raccomanda di usare questi accessori per l'utensile Makita descritto in questo manuale. L'uso di qualsiasi altro accessorio potrebbe provocare lesioni personali. Utilizzare gli accessori esclusivamente per l'uso dichiarato.

Per l'assistenza e ulteriori informazioni su tali accessori, rivolgersi al centro di assistenza Makita più vicino.

- Punta SDS Max al carburo di tungsteno
- Punta gigante SDS Max
- Scalpello a freddo SDS Max
- Scalpello per scagliatura SDS Max

- Scalpello per piastrelle SDS Max
- Paletta per argilla SDS Max
- Grasso per martello
- Grasso per punte
- Manico laterale
- Impugnatura laterale
- Calibro di profondità
- Soffietto a peretta
- Occhiali di protezione
- Valigetta

### Per il modello HR4501C Solo per i paesi europei Rumorosità

ENG102-1

Il tipico livello di rumore ponderato "A" è determinato in conformità con la norma EN60745-2-6:

Livello di pressione sonora ( $L_{pA}$ ): 94 dB (A)

Livello di potenza sonora ( $L_{WA}$ ): 105 dB (A)

Variazione (K): 3 dB (A)

#### Indossare una protezione acustica

#### Vibrazione

ENG216-1

Il valore totale della vibrazione (somma vettoriale triassiale) è determinato in conformità con la norma EN60745-2-6:

Modalità di lavoro: scalpellatura con impugnatura laterale

Emissione di vibrazioni ( $a_{h,CHeq}$ ): 12,5 m/s<sup>2</sup>

Variazione (K): 1,5 m/s<sup>2</sup>

ENG306-1

Modalità di lavoro: scalpellatura con impugnatura laterale

Emissione di vibrazioni ( $a_{h,HD}$ ): 12,5 m/s<sup>2</sup>

Variazione (K): 1,5 m/s<sup>2</sup>

ENG303-1

Modalità di lavoro: foratura con percussione in cemento, 25 mm di diametro e 180 mm di profondità

Emissione di vibrazioni ( $a_{h,HD}$ ): 16 m/s<sup>2</sup>

Variazione (K): 1,5 m/s<sup>2</sup>

**Per il modello HR4510C****Solo per i paesi europei**

ENG102-1

**Rumorosità**

I tipici livelli di rumore ponderati "A" determinati secondo la direttiva 60745-2-6:

Livello di pressione sonora ( $L_{pA}$ ): 93 dB (A)

Livello di potenza sonora ( $L_{WA}$ ): 104 dB (A)

Variazione (K): 3 dB (A)

**Indossare una protezione acustica****Vibrazione**

ENG216-1

Valore totale della vibrazione (somma vettoriale triassiale) determinata secondo la direttiva EN60745-2-6:

Modalità di lavoro: scalpellatura con impugnatura laterale

Emissione di vibrazioni ( $a_{h,CHeq}$ ): 8,5 m/s<sup>2</sup>

Variazione (K): 1,5 m/s<sup>2</sup>

ENG306-1

Modalità di lavoro: emissione di vibrazione nella scalpellatura con impugnatura laterale ( $a_{h,CHeq}$ ): 8,5 m/s<sup>2</sup>

Variazione (K): 1,5 m/s<sup>2</sup>

ENG303-1

Modalità di lavoro: foratura con percussione nel cemento, 25 mm di diametro e 180 mm di profondità

Emissione di vibrazioni ( $a_{h,HD}$ ): 9,5 m/s<sup>2</sup>

Variazione (K): 2 m/s<sup>2</sup>

**Per il modello HR4511C****Solo per i paesi europei**

ENG102-1

**Rumorosità**

I tipici livelli di rumore ponderati "A" determinati secondo la direttiva 60745-2-6:

Livello di pressione sonora ( $L_{pA}$ ): 94 dB (A)

Livello di potenza sonora ( $L_{WA}$ ): 105 dB (A)

Variazione (K): 3 dB (A)

**Indossare una protezione acustica****Vibrazione**

ENG216-1

Valore totale della vibrazione (somma vettoriale triassiale) determinata secondo la direttiva EN60745-2-6:

Modalità di lavoro: scalpellatura con impugnatura laterale

Emissione di vibrazioni ( $a_{h,CHeq}$ ): 7 m/s<sup>2</sup>

Variazione (K): 1,5 m/s<sup>2</sup>

ENG306-1

Modalità di lavoro: emissione di vibrazione nella scalpellatura con impugnatura laterale ( $a_{h,CHeq}$ ):

7,5 m/s<sup>2</sup>

Variazione (K): 1,5 m/s<sup>2</sup>

ENG303-1

Modalità di lavoro: foratura con percussione in cemento, 25 mm di diametro e 180 mm di profondità

Emissione di vibrazioni ( $a_{h,HD}$ ): 7,5 m/s<sup>2</sup>

Variazione (K): 1,5 m/s<sup>2</sup>

**DICHIARAZIONE DI CONFORMITÀ CE**

ENH101-7

**Modello; HR4501C, HR4510C, HR4511C**

Dichiariamo sotto nostra esclusiva responsabilità che il presente prodotto è conforme alle seguenti norme o documenti normativi:

EN60745, EN55014, EN61000 secondo le disposizioni delle direttive del Consiglio, 2004/108/CE, 98/37/CE.

**CE 2006**


Tomoyasu Kato  
Direttore

Produttore responsabile:

**Makita Corporation**

3-11-8, Sumiyoshi-cho, Anjo, Aichi, GIAPPONE

Rappresentanti autorizzati in Europa:

**Makita International Europe Ltd.**

Michigan Drive, Tongwell, Milton Keynes, Bucks MK15

8JD, INGHILTERRA

**Verklaring van algemene gegevens**

- |                       |                                 |                   |
|-----------------------|---------------------------------|-------------------|
| 1. Aan/uit-schakelaar | 7. AAN indicatielamp (groen)    | 13. Bitvet        |
| 2. Aan/uit-schakelaar | 8. Bedrijfsindicatielamp (rood) | 14. Bit           |
| 3. Stelknop           | 9. Zijhandgreep                 | 15. Bitkopdeksel  |
| 4. Instelhefboom      | 10. Moer klem                   | 16. Diepteaanslag |
| 5. Aanwijspunt        | 11. Zijhandgreep                | 17. Klemschroef   |
| 6. Vastzetknop        | 12. Bitschacht                  | 18. Blaasbalgje   |

**TECHNISCHE GEGEVENS**

Model		HR4501C	HR4510C	HR4511C
Vermogen	Hardmetalen bit	45 mm		
	Kroonbit	125 mm		
Nullaasttoerental (min <sup>-1</sup> )		130 - 280		
Aantal slagen/minuut		1.275 – 2.750		
Totale lengte		458 mm		
Netto gewicht		7,8 kg	8,3 kg	8,4 kg
Veiligheidsklasse		II		

- Als gevolg van ons doorlopende onderzoeks- en ontwikkelingsprogramma, zijn de technische gegevens van dit gereedschap onderhevig aan veranderingen zonder voorafgaande kennisgeving.
- Opmerking: De technische gegevens kunnen van land tot land verschillen.

**Symbolen**

END201-2

Hieronder staan de symbolen die voor dit gereedschap worden gebruikt. Zorg ervoor dat u weet wat ze betekenen alvorens het gereedschap te gebruiken.



..... Lees de gebruiksaanwijzing.



..... DUBBEL GEÏSOLEERD

**Gebruiksdoelinden**

ENE044-1

Het gereedschap is bedoeld voor hamerboren in baksteen, beton en steen, en tevens voor beitelwerk.

**Voeding**

ENF002-1

Het gereedschap mag uitsluitend worden aangesloten op een voeding met dezelfde spanning als aangegeven op het identificatieplaatje en werkt alleen op enkele-fase wisselstroom. Het gereedschap is dubbel geïsoleerd volgens de Europese norm en mag derhalve ook op een niet-geaard stopcontact worden aangesloten.

**SPECIFIEKE VEILIGHEIDSVORSCHRIFTEN**

GEB007-2

Laat u NIET misleiden door een vals gevoel van comfort en bekendheid met het gereedschap (na veelvuldig gebruik) en neem alle veiligheidsvoorschriften van de boorhamer altijd strikt in acht. Bij onveilig of verkeerd gebruik van het gereedschap, bestaat de kans op ernstig persoonlijk letsel.

1. **Draag gehoorbescherming.** Blootstelling aan harde geluiden kan leiden tot gehoorbeschadiging.
2. **Gebruik de hulphandgrepen die bij het gereedschap werden geleverd.** Als u de controle

over het gereedschap verliest, kan dit leiden tot persoonlijk letsel.

3. **Houd elektrisch gereedschap vast aan het geïsoleerde oppervlak van de handgrepen wanneer u werkt op plaatsen waar het gereedschap met verborgen bedrading of zijn eigen snoer in aanraking kan komen.** Door contact met onder spanning staande draden, zullen de niet-geïsoleerde metalen delen van het gereedschap onder spanning komen te staan zodat de gebruiker een elektrische schok kan krijgen.
4. **Draag een veiligheidshelm, veiligheidsbril en/of gezichtsbescherming. Een gewone bril of een zonnebril is GEEN veiligheidsbril. Het wordt tevens sterk aanbevolen een stofmasker en dik gevoerde handschoenen te dragen.**
5. **Controleer dat het bit stevig op zijn plaats is vastgezet voordat u het gereedschap gebruikt.**
6. **Bij normale bediening behoort het gereedschap te trillen. De schroeven kunnen gemakkelijk losraken, waardoor een defect of ongeluk kan ontstaan. Controleer of de schroeven goed zijn aangedraaid, alvorens het gereedschap te gebruiken.**
7. **In koude weersomstandigheden of wanneer het gereedschap gedurende een lange tijd niet is gebruikt, laat u het gereedschap eerst opwarmen door het onbelast te laten werken. Hierdoor zal de smering worden verbeterd. Zonder degelijk opwarmen, zal de hamerwerking moeilijk zijn.**
8. **Zorg er altijd voor dat u stevig staat. Zorg ervoor dat er niemand zich onder u bevindt wanneer u het gereedschap op een hoge plaats gebruikt.**
9. **Houd het gereedschap met beide handen stevig vast.**
10. **Houd uw handen uit de buurt van bewegende delen.**



11. Laat het gereedschap niet ingeschakeld liggen. Bedien het gereedschap alleen wanneer u het vasthoudt.
12. Richt het gereedschap niet op iemand in de buurt terwijl het is ingeschakeld. Het bit zou eruit kunnen vliegen en iemand ernstig verwonden.
13. Raak het bit en onderdelen in de buurt van het bit niet onmiddellijk na gebruik aan. Zij kunnen bijzonder heet zijn en brandwonden op uw huid veroorzaken.
14. Sommige materialen bevatten chemische stoffen die giftig kunnen zijn. Neem voorzorgsmaatregelen tegen het inademen van stof en contact met de huid. Volg de veiligheidsinstructies van de leverancier van het materiaal op.

## BEWAAR DEZE INSTRUCTIES.

**WAARSCHUWING:**  
**VERKEERD GEBRUIK** of het niet volgen van de veiligheidsinstructies in deze gebruiksaanwijzing kan leiden tot ernstig persoonlijk letsel.

## BESCHRIJVING VAN DE FUNCTIES

### LET OP:

- Controleer altijd of het gereedschap is uitgeschakeld en de stekker uit het stopcontact is getrokken alvorens de functies van het gereedschap te controleren of af te stellen.

### Aan/uit-schakelaar (zie afb. 1)

#### VOOR MODEL HR4511C

### LET OP:



- Controleer altijd, voordat u de stekker in het stopcontact steekt, of de aan/uit-schakelaar op de juiste manier schakelt en weer terugkeert naar de uitstand nadat deze is losgelaten.

Om het gereedschap in te schakelen, knijpt u gewoon de aan/uit-schakelaar in. Laat de aan/uit-schakelaar los om het gereedschap te stoppen

#### VOOR DE MODELLEN HR4510C/HR4501C

### Aan/uit-schakelaar


### LET OP:

- Controleer altijd, voordat u de stekker in het stopcontact steekt, of de aan/uit-schakelaar op de juiste manier schakelt en weer terugkeert naar de uitstand nadat deze is losgelaten.
- Deze schakelaar werkt als de machine in de  symbool en  symbool modes staat.

Om het gereedschap in te schakelen, knijpt u gewoon de aan/uit-schakelaar in. Laat de aan/uit-schakelaar los om het gereedschap te stoppen

### Schuifknop

### LET OP:

- Controleer voor u de stekker in het stopcontact steekt altijd of de machine uitgeschakeld is.
- Deze schakelaar werkt alleen als de machine in de  symbool werkingsmodus staat.

Voor het gedurende langere tijd gebruiken van de machine in de hamermodus is de schuifschakelaar beschikbaar. Druk om de machine te starten op de zijde "I (ON)" van de schakelaar. Druk om de machine te stoppen op de zijde "O (OFF)" van de schakelaar. (zie afb. 2)

### De draaisnelheid veranderen (zie afb. 3)

Het toerental en het aantal slagen per minuut kan worden ingesteld door de instelschaal te verdraaien. Deze schaal is gemerkt van 1 (de laagste snelheid) tot 5 (volle snelheid).

Zie de tabel hieronder voor het verband tussen het op de schaal ingestelde cijfer en het aantal omwentelingen/slagen per minuut.


Cijfer op de schaal	Omwentelingen per minuut	Aantal slagen/ minuut
5	280	2.750
4	260	2.550
3	200	1.950
2	150	1.450
1	130	1.250

### LET OP:

- Indien de machine gedurende lange tijd aan een laag toerental wordt gebruikt, geraakt de motor overbelast, wat leidt tot een storing van de machine.
- U kunt de snelheidsregelaar alleen tot aan het cijfer 5 draaien en terug naar 1. Forceer de schijf niet voorbij de 5 of de 1 omdat de snelheidsregeling daardoor onklaar raakt.

### De werkingfunctie selecteren

#### Roteren met hameren (zie afb. 4 en 5)

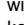
Voor het boren in beton, metselwerk, enz., drukt u de vastzetknop in en draait u de instelhefboom zo dat de wijzer naar het  symbool wijst. Gebruik een bit met een hardmetalen punt.

#### Alleen hameren


#### VOOR MODEL HR4501C EN HR4510 (zie afb. 6)

Voor kappen of afbraakwerkzaamheden drukt u de vastzetknop in en draait u de instelhefboom zo dat de wijzer naar het  symbool wijst. Gebruik een rond boor, koudbeitel, bikbeitel, enz.

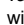
#### Voor langdurig hamerboren (ALLEEN VOOR DE MODELLEN HR4501C EN HR4510C) (zie afb. 7)

Voor kappen of afbraakwerkzaamheden drukt u de vastzetknop in en draait u de instelhefboom zo dat de wijzer naar het  symbool wijst. Gebruik een rond boor, koudbeitel, bikbeitel, enz.

### LET OP:

- Bij gebruik van de machine in de  symboolmodus, werkt de drukschakelaar niet – alleen de schuifschakelaar werkt.

#### VOOR MODEL HR4511C (zie afb. 8)

Voor kappen of afbraakwerkzaamheden drukt u de vastzetknop in en draait u de instelhefboom zo dat de wijzer naar het  symbool wijst. Gebruik een rond boor, koudbeitel, bikbeitel, enz.

#### LET OP:

- Draai niet aan de instelhefboom terwijl de machine loopt onder belasting. Het gereedschap zal hierdoor worden beschadigd.
- Om snelle slijtage van het omschakelmechanisme te voorkomen, zorgt u ervoor dat de instelhefboom altijd precies in een van de twee of drie standen staat.

### Koppelbegrenzer

De koppelbegrenzer treedt in werking wanneer de motor een bepaald koppel bereikt. De motor wordt dan ontkoppeld van de uitgangsas. Wanneer dit gebeurt, zal de boor ophouden met draaien.

#### LET OP:

- Schakel het gereedschap onmiddellijk uit wanneer de koppelbegrenzer in werking treedt. Hiermee helpt u vroegtijdige slijtage van het gereedschap voorkomen.

### Indicatielampje (zie afb. 9)

Het groene lampje licht op wanneer het gereedschap op het lichtnet is aangesloten. Als het lampje niet brandt, kan het netsnoer beschadigd zijn of de sturing defect. Als het lampje brandt, maar het gereedschap niet start, zelfs niet wanneer de schakelaar in de aan-stand wordt gezet, kunnen de koolborstels versleten zijn, of kunnen de motor, de sturing, of de schakelaar defect zijn. Het rode lampje gaat branden zodra de koolborstels bijna versleten zijn, om aan te geven dat de machine moet worden onderhouden. Na ong. 8 uren gebruik, stopt de motor automatisch.

## ONDERDELEN AANBRENGEN/ VERWIJDEREN

#### LET OP:

- Controleer altijd of het gereedschap is uitgeschakeld en de stekker uit het stopcontact is getrokken alvorens enige werk aan het gereedschap uit te voeren.

### Zijhandgreep (zie afb. 10)

#### LET OP:

- Gebruik de zijhandgreep alleen bij kappen, afkappen of afbreken. Gebruik hem niet om te boren in beton, metselwerk, enz. De machine kan tijdens het boren niet correct worden vastgehouden bij de zijhandgreep. De zijhandgreep kan over 360° om de verticale as worden verdraaid in om het even welke gewenste stand. Verder zijn er ook acht verschillende standen naar voor en naar achter op de horizontale. Los de klemmoer om de handgreep in de gewenste stand te brengen. Draai daarna de klemmoer stevig terug aan. (Zie afb. 11)

### Zijgreep (zie afb. 12)

#### LET OP:

- Gebruik altijd de zijgreep om veilig te werken bij het boren in beton, metselwerk, enz. De zijhandgreep kan worden gedraaid en op iedere zijkant worden gemonteerd zodat het gereedschap eenvoudig kan worden gehanteerd vanuit iedere positie. Draai de zijhandgreep los door deze linksom te draaien, verdraai deze naar de gewenste positie en zet hem weer vast door hem rechtsom te draaien.

## De bit aanbrengen en verwijderen (zie afb. 13)

Reinig de bitschacht en smeer er bitvet op alvorens de bit te installeren.


Steek de bit in het gereedschap. Draai het boortje en duw hem naar binnen tot hij vergrendelt. (zie afb. 14)

Als de bit niet naar binnen kan worden geduwd, haalt u de bit eruit. Trek het verwisselring enkel keren omlaag. Steek de bit daarna opnieuw naar binnen. Draai de bit en duw hem naar binnen tot hij vergrendelt.

Controleer na het aanbrengen altijd of de bit stevig in het gereedschap is bevestigd door te proberen het eruit te trekken.

Om de bit te verwijderen, trekt u de verwisselring helemaal omlaag en vervolgens de bit eruit. (zie afb. 15)

## Bithoek (bij kappen, bikken of slopen) (zie afb. 16 en 17)

De bit kan onder 12 verschillende hoeken worden vastgezet. Om de bithoek te veranderen, drukt u de vastzetknop in en draait u de omschakelknop naar het  symbool.

Draai de bit naar de gewenste hoek.

Druk op de vergrendelknop en draai de instelhefboom zo dat de indicatie naar het  symbool wijst. Controleer daarna of de bit stevig op zijn plaats vastzit door deze iets te verdraaien. (Zie afb. 18 en 19)

## Diepteaanslag (zie afb. 20)

De diepteaanslag is handig voor het boren van gaten van gelijke diepte. Los de klemschroef en stel de diepteaanslag in op de gewenste diepte. Draai na het instellen de klemschroef stevig vast.

#### OPMERKING:

- De diepteaanslag kan niet worden gebruikt in de positie waarbij deze tegen het tandwiel- of het motorhuis aanstoet.

## BEDIENING

### Gebruik als boorhamer (zie afb. 21)

Plaats de instelhefboom op  symbool.

Plaats de punt van de boor op de gewenste plaats waar geboord moet worden en trek vervolgens de schakelaar in. Forceer het gereedschap niet. Een lichte druk geeft de beste resultaten. Houd het gereedschap stevig vast en zorg dat het niet uitglijdt.

Oefen geen grotere druk uit wanneer het boorgat verstoppt raakt met schilfertjes of metaaldeeltjes. Laat in zo'n geval het gereedschap langzaam lopen en verwijder de boor gedeeltelijk uit het boorgat. Wanneer dit verschillende keren wordt herhaald, zal het boorgat schoon worden en kunt u normaal verder boren.

#### LET OP:

- Zodra de bit door het beton begint te breken of hij betonijzer raakt, kan de machine gevaarlijk reageren. Zorg voor een goed evenwicht en plast uw voeten veilig terwijl u de machine stevig met beide handen vasthoudt om een gevaarlijke reactie te vermijden.

## Luchtblazer (los verkrijgbaar) (zie afb. 22)

Gebruik na het boren het blaasbalgje om het stof uit het boorgat te blazen.

## Beitelen, bikken en slopen (zie afb. 23)

Plaats de instelhefboom op  $\uparrow$  symbool.

Houd het gereedschap met beide handen stevig vast.

Schakel het gereedschap in en oefen er enige kracht op uit zodat het gereedschap niet oncontroleerbaar in het rond springt. Het gereedschap werkt niet efficiënter als u grote druk op het gereedschap uitoefent.

## ONDERHOUD

### LET OP:

- Zorg er altijd voor dat de machine is uitgeschakeld en de stekker uit het stopcontact is getrokken, voordat u een inspectie of onderhoud uitvoert.
- Dit onderhoud mag alleen worden uitgevoerd door een door Makita erkend servicecentrum.

Het is niet nodig dit gereedschap iedere uur of iedere dag te smeren omdat het is uitgerust met een gesloten smeersysteem. U moet het gereedschap regelmatig opnieuw smeren. Stuur het hele gereedschap naar een erkend Makita-servicecentrum om te worden gesmeerd. Om de VEILIGHEID en BETROUWBAARHEID van het gereedschap te handhaven, dienen alle reparaties, onderhoud en afstellingen te worden uitgevoerd door een erkend Makita-servicecentrum, en altijd met gebruikmaking van originele Makita- vervangingsonderdelen.

## ACCESSOIRES

### LET OP:

- Deze accessoires of hulpstukken worden aanbevolen voor gebruik met het Makita-gereedschap dat in deze gebruiksaanwijzing wordt beschreven. Het gebruik van andere accessoires of hulpstukken kan gevaar voor persoonlijk letsel opleveren. Gebruik de accessoires of hulpstukken uitsluitend voor de aangegeven gebruiksdoeleinden.

Mocht u meer informatie willen hebben over deze accessoires, dan kunt u contact opnemen met uw plaatselijke Makita-servicecentrum.

- SDS-Max bits met een carbidepunt
- SDS-Max bull punt
- SDS-MAX koude beitel
- SDS-MAX afkapbeitel
- SDS-MAX tegelbeitel
- SDS-MAX kleischop
- Hamervet
- Bitvet
- Zijhandgreep
- Zijhandgreep
- Diepteaanslag
- Blaasbalgje
- Veiligheidsbril
- Draagtas

## Voor model HR4501C

### Alleen voor Europese landen

ENG102-1

#### Geluid

Het standaard A-gewogen geluidsniveau zoals vastgesteld conform EN60745-2-6:

Geluidsdrukniveau ( $L_{pA}$ ): 94 dB (A)

Geluidsdrukniveau ( $L_{WA}$ ): 105 dB (A)

Onzekerheid (K): 3 dB (A)

#### Draag gehoorbescherming

#### Trilling

ENG216-1

De totale trilwaarde (triaxiale vectorsom) zoals vastgesteld conform EN60745-2-6:

Werkmodus: beiftelfunctie met zijhandgreep

Trillingsemmissie ( $a_{h, CHeg}$ ): 12,5 m/s<sup>2</sup>

Onzekerheid (K): 1,5 m/s<sup>2</sup>

ENG303-1

Werkmodus: beiftelfunctie met zijhandgreep

Trillingsemmissie ( $a_{h, HD}$ ): 12,5 m/s<sup>2</sup>

Onzekerheid (K): 1,5 m/s<sup>2</sup>

ENG303-1

Werkmodus: driiboren in beton, 25 mm diameter en 180 mm diepte

Trillingsemmissie ( $a_{h, HD}$ ): 16 m/s<sup>2</sup>

Onzekerheid (K): 1,5 m/s<sup>2</sup>

## Voor model HR4510C

### Alleen voor Europese landen

ENG102-1

#### Geluid

De typische, A-gewogen geluidsniveaus zijn gemeten volgens 60745-2-6:

Geluidsdrukniveau ( $L_{pA}$ ): 93 dB (A)

Geluidsdrukniveau ( $L_{WA}$ ): 104 dB (A)

Onzekerheid (K): 3 dB (A)

#### Draag gehoorbescherming

#### Trilling

ENG216-1

De totale trillingswaarde (tri-axiale vectorsom) bepaald volgens EN60745-2-6:

Werkmodus: beiftelfunctie met zijhandgreep

Trillingsemmissie ( $a_{h, CHeg}$ ): 8,5 m/s<sup>2</sup>

Onzekerheid (K): 1,5 m/s<sup>2</sup>

ENG303-1

Werkmodus: beiftelfunctie met zijhandgreep

Trillingsemmissie ( $a_{h, CHeg}$ ): 8,5 m/s<sup>2</sup>

Onzekerheid (K): 1,5 m/s<sup>2</sup>

ENG303-1

Werkmodus: boren met de hamerboor in beton, 25 mm diameter en diepte 180 mm

Trillingsemmissie ( $a_{h, HD}$ ): 9,5 m/s<sup>2</sup>

Onzekerheid (K): 2 m/s<sup>2</sup>

**Voor model HR4511C****Alleen voor Europese landen**

ENG102-1

**Geluid**

De typische, A-gewogen geluidsniveaus zijn gemeten volgens 60745-2-6:

Geluidsdruk niveau ( $L_{pA}$ ): 94 dB (A)Geluidsdruk niveau ( $L_{WA}$ ): 105 dB (A)

Onzekerheid (K): 3 dB (A)

**Draag gehoorbescherming****Trilling**

ENG216-1

De totale trillingswaarde (tri-axiale vectorsom) bepaald volgens EN60745-2-6:

Werkmodus: beitelfunctie met zijhandgreep

Trillingsemmissie ( $a_{h,CHeq}$ ): 7 m/s<sup>2</sup>Onzekerheid (K): 1,5 m/s<sup>2</sup>

ENG303-1

Werkmodus: beitelfunctie met zijhandgreep

Trillingsemmissie ( $a_{h,CHeq}$ ): 7,5 m/s<sup>2</sup>Onzekerheid (K): 1,5 m/s<sup>2</sup>

ENG303-1

Werkmodus: drilboren in beton, 25 mm diameter en 180 mm diepte

Trillingsemmissie ( $a_{h,HD}$ ): 7,5 m/s<sup>2</sup>Onzekerheid (K): 1,5 m/s<sup>2</sup>**EU-VERKLARING VAN CONFORMITEIT**

ENH101-7

**Model HR4501C, HR4510C, HR4511C**

Wij verklaren onder eigen verantwoordelijkheid dat dit product voldoet aan de normen in de volgende documenten:

EN60745, EN55014 en EN61000 in overeenstemming met de richtlijnen van de Raad, 2004/108/EC en 98/37/EC.

**CE 2006**

Tomoyasu Kato  
Directeur

Verantwoordelijke fabrikant:

**Makita Corporation**

3-11-8, Sumiyoshi-cho, Anjo, Aichi, JAPAN

Erkende vertegenwoordiger voor Europa:

**Makita International Europe Ltd.**

Michigan Drive, Tongwell, Milton Keynes, Bucks MK15 8JD, ENGELAND

**Descripción y visión general**

- |  |                                      |                            |
|--|--------------------------------------|----------------------------|
| 1. Interruptor disparador              | 8. Luz indicadora de servicio (roja) | 16. Calibre de profundidad |
| 2. Palanca del interruptor             | 9. Empuñadura lateral                | 17. Tornillo de apriete    |
| 3. Dial de ajuste                      | 10. Tuerca de fijación               | 18. Bulbo de extracción    |
| 4. Palanca de cambio                   | 11. Mango lateral                    |                            |
| 5. Puntero                             | 12. Espiga de la broca               |                            |
| 6. Botón de bloqueo                    | 13. Grasa para brocas                |                            |
| 7. Luz indicadora de encendido (verde) | 14. Broca                            |                            |
|  | 15. Cubierta del mandril             |                            |

**ESPECIFICACIONES**

Modelo		HR4501C	HR4510C	HR4511C
Capacidades	Broca con punta de carburo	45 mm		
	Broca	125 mm		
Velocidad en vacío (mín <sup>-1</sup> )		130 - 280		
Golpes por minuto		1.275 – 2.750		
Longitud total		458 mm		
Peso neto		7,8 kg	8,3 kg	8,4 kg
Clase de seguridad		II/II		

- Debido a nuestro programa continuo de investigación y desarrollo, las especificaciones aquí descritas están sujetas a cambios sin previo aviso.
- Nota: Las especificaciones pueden ser diferentes de un país a otro.

**Símbolos**

END201-2

Se utilizan los siguientes símbolos para el equipo. Asegúrese de que comprende su significado antes del uso.



..... Lea el manual de instrucciones.



..... DOBLE AISLAMIENTO

**Uso previsto**

ENE044-1

Esta herramienta está diseñada para perforar con percusión ladrillo, hormigón y piedra, así como para trabajos de cincelado.

**Alimentación**

ENF002-1

La herramienta debe conectarse solamente a una fuente de alimentación de la misma tensión que la indicada en la placa de características, y sólo puede funcionar con corriente alterna monofásica. El sistema de doble aislamiento de la herramienta cumple con las normas europeas y puede, por lo tanto, usarse también en tomacorrientes sin conductor de tierra.

**NORMAS DE SEGURIDAD ESPECÍFICAS**

GEB007-2

**NO deje que la comodidad o la familiaridad con el producto (a base de utilizarlo repetidamente) sustituyan la estricta observancia de las normas de seguridad para el martillo rotativo. Si utiliza esta herramienta de forma no segura o incorrecta, puede sufrir graves daños corporales.**

1. **Utilice protectores para los oídos.** La exposición al ruido puede producir pérdida auditiva.

2. **Utilice las empuñaduras auxiliares suministradas con la herramienta.** La pérdida de control puede ocasionar daños corporales.
3. **Sujete las herramientas eléctricas por las superficies de agarre aisladas al realizar una operación en que la herramienta de corte pueda entrar en contacto con cables ocultos o con su propio cable.** Si entra en contacto con un cable con corriente, las piezas metálicas expuestas se cargarán también de corriente y el operario puede recibir una descarga.
4. **Póngase un casco de seguridad, gafas de seguridad y/o una careta protectora. Las gafas normales o de sol NO son gafas de seguridad. También se recomienda encarecidamente que utilice una mascarilla antipolvo y guantes gruesos acolchados.**
5. **Asegúrese de que la broca esté firmemente sujeta en su lugar antes del uso.**
6. **En condiciones normales de funcionamiento, la herramienta está diseñada para producir vibraciones. Los tornillos pueden aflojarse fácilmente, con lo cual se puede averiar la herramienta o puede producirse un accidente. Compruebe que los tornillos estén bien apretados antes del uso.**
7. **Si hace frío o la herramienta no se ha utilizado durante un periodo prolongado, deje que se caliente la herramienta poniéndola en marcha en vacío. De este modo se facilitará la lubricación. Si no se calienta adecuadamente, se dificultará el martilleo.**
8. **Colóquese siempre en una posición bien equilibrada. Si utiliza la herramienta en una**

ubicación elevada, asegúrese de que nadie se encuentre debajo.

- Sujete firmemente la herramienta con ambas manos.
- Mantenga las manos alejadas de las piezas móviles.
- No deje la herramienta encendida. Póngala en marcha solamente cuando la tenga en las manos.
- No apunte la herramienta hacia ninguna persona que se encuentre en la zona durante su uso. La broca podría salir disparada y herir gravemente a alguien.
- No toque la broca ni las piezas cercanas a ésta inmediatamente después de que hayan estado en funcionamiento; pueden estar extremadamente calientes y producir quemaduras en la piel.
- Algunos materiales contienen sustancias químicas que pueden ser tóxicas. Procure evitar la inhalación de polvo y el contacto con la piel. Siga los datos de seguridad del proveedor del material.

## GUARDE ESTAS INSTRUCCIONES.

### ADVERTENCIA:

El MAL USO o la no observancia de las normas de seguridad expuestas en este manual de instrucciones pueden ocasionar graves daños corporales.

## DESCRIPCIÓN DEL FUNCIONAMIENTO

### PRECAUCIÓN:

- Asegúrese siempre de que la herramienta esté apagada y desenchufada antes de intentar realizar cualquier tipo de ajuste o comprobación en ella.

### Funcionamiento del interruptor (Fig. 1)

#### MODELO HR4511C

### PRECAUCIÓN:

- Antes de enchufar la herramienta, asegúrese siempre de que el interruptor disparador funcione como es debido y de que vuelva a la posición "OFF" (apagado) al soltarlo.

Para poner en marcha la herramienta, simplemente accione el interruptor disparador. Suelte el interruptor disparador para detener la herramienta.

#### MODELOS HR4510C/ HR4501C

#### Interruptor disparador

### PRECAUCIÓN:

- Antes de enchufar la herramienta, asegúrese siempre de que el interruptor disparador funcione como es debido y de que vuelva a la posición "OFF" (apagado) al soltarlo.
- Este interruptor funciona cuando la herramienta se encuentra ajustada en los modos  $\nabla$  y  $\nabla$ .

Para poner en marcha la herramienta, simplemente accione el interruptor disparador. Suelte el interruptor disparador para detener la herramienta.

### Interruptor deslizante

### PRECAUCIÓN:

- Antes de enchufar la herramienta, asegúrese de que está desconectada.
- Este interruptor solo funciona cuando la herramienta se encuentra ajustada en el modo  $\nabla$ .

El interruptor deslizante puede utilizarse cuando la herramienta se usa en el modo de percusión de forma prolongada. Para poner en marcha la herramienta, presione el lado "I (ON)" de la palanca del interruptor. Para detener la herramienta, presione el lado "O (ON)" de la palanca del interruptor. (Fig. 2)

### Cambio de velocidad (Fig. 3)

El número de revoluciones y golpes por minuto puede ajustarse girando el dial de regulación. El dial está marcado del 1 (velocidad mínima) al 5 (velocidad máxima).

Consulte la siguiente tabla para obtener información sobre la relación entre los números del dial y el número de revoluciones / golpes por minuto.

Número del dial	Revoluciones por minuto	Golpes por minuto
5	280	2.750
4	260	2.550
3	200	1.950
2	150	1.450
1	130	1.250

### PRECAUCIÓN:

- Si la herramienta se utiliza constantemente a baja velocidad durante un tiempo prolongado, el motor se sobrecargará y la herramienta dejará de funcionar correctamente.
- El dial de regulación de la velocidad puede girarse hasta 5 y de vuelta hasta 1 solamente. No lo fuerce más allá de 5 ó 1, o la función de ajuste de velocidad podrá dejar de funcionar.

### Selección del modo de acción

#### Giro con percusión (Fig. 4 y 5)

Para taladrar hormigón, ladrillo, etc. apriete el botón de bloqueo y gire la palanca de cambio hasta que el puntero señale al símbolo  $\nabla$ . Utilice una broca con punta de carburo de tungsteno.

#### Sólo percusión


#### MODELOS HR4501C Y HR4510 (Fig. 6)

Para trabajos de cincelado, desincrustación o demolición, apriete el botón de bloqueo y gire la palanca de cambio hasta que el puntero señale al símbolo  $\nabla$ . Utilice un puntero, un cortafrío, un cincel de desincrustación, etc.


#### Para martilleo prolongado (MODELOS HR4501C Y HR4510C SOLAMENTE) (Fig. 7)

Para trabajos de cincelado, desincrustación o demolición, apriete el botón de bloqueo y gire la palanca de cambio hasta que el puntero señale al símbolo  $\nabla$ . Utilice un puntero, un cortafrío, un cincel de desincrustación, etc.

## PRECAUCIÓN:

- Cuando se utiliza la herramienta en el modo  el interruptor disparador deja de funcionar, de forma que solo funciona el interruptor deslizante.

## MODELO HR4511C (Fig. 8)

Para trabajos de cincelado, desincrustación o demolición, apriete el botón de bloqueo y gire la palanca de cambio hasta que el puntero señale al símbolo . Utilice un puntero, un cortafrío, un cincel de desincrustación, etc.

## PRECAUCIÓN:

- No gire la palanca de cambio cuando la herramienta esté en marcha con carga ya que, de lo contrario, la herramienta se averiará.
- Para evitar el desgaste prematuro del mecanismo de cambio de modo, asegúrese siempre de que la palanca de cambio queda bien colocada en una de las tres posiciones de modo de acción.

## Limitador de par de apriete

El limitador de par de apriete entra en acción cuando se alcanza un cierto nivel de par. El motor se desacoplará del eje de salida. Cuando esto suceda, la broca dejará de girar.

## PRECAUCIÓN:

- Desconecte la herramienta tan pronto como actúe el limitador de par de apriete. Ello evitará que la herramienta se desgaste prematuramente.

## Luz indicadora (Fig. 9)

La luz indicadora verde de encendido (ON) se enciende cuando se enchufa la herramienta. Si la luz indicadora no se enciende, puede que el cable de la corriente o el controlador estén averiados. Si la luz indicadora está encendida, pero la herramienta no se pone en marcha aunque esté encendida, puede que las escobillas de carbón estén desgastadas o que el controlador, el motor o el interruptor de encendido y apagado estén averiados. Cuando las escobillas están a punto de desgastarse por completo, la luz indicadora de servicio roja se ilumina para indicar que es necesario revisar la herramienta. Al cabo de aproximadamente 8 horas de servicio, el motor se apagará automáticamente.

## MONTAJE

### PRECAUCIÓN:

- Asegúrese siempre de que la herramienta esté apagada y desenchufada antes de intentar realizar cualquier trabajo en ella.

## Empuñadura lateral (Fig. 10)

### PRECAUCIÓN:

- Utilice la empuñadura lateral solo para trabajos de cincelado, desincrustación o demolición. No la utilice para taladrar hormigón, ladrillo, etc. Durante los trabajos de taladrado la herramienta no puede cogerse correctamente si está montada la empuñadura lateral.

La empuñadura lateral puede girarse 360° en el plano vertical y fijarse en cualquier posición. También puede fijarse en ocho posiciones hacia delante y atrás en el plano horizontal. Para colocar la empuñadura a la posición deseada, afloje la tuerca de fijación. A

continuación vuelva a apretar la tuerca de fijación con firmeza. (Fig. 11)

## Mango lateral (Fig. 12)

### PRECAUCIÓN:

- Utilice siempre el mango lateral para garantizar la seguridad cuando taladre en hormigón, ladrillos, etc. El mango lateral se puede girar a cualquier lado, lo que posibilita un cómodo agarre de la herramienta en cualquier posición. Afloje el mango lateral girándolo en el sentido contrario a las agujas del reloj, colóquelo en la posición deseada y después apriételo girándolo en el sentido de las agujas del reloj.

## Instalación o extracción de la barrena (Fig. 13)

Limpie la espiga de la broca y engrásela antes de montarla.

Introduzca la broca en la herramienta. Gírela y empújela hasta que se enclave. (Fig. 14)


Si la broca no entra, extráigala. Desplace la cubierta del mandril un par de veces hacia abajo. Vuelva a introducir la broca. Gírela y empújela hasta que se enclave.

Después de la instalación, asegúrese siempre de que la broca esté bien sujeta en su lugar; para ello, intente sacarla.

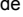
Para extraer la broca, desplace la cubierta del mandril la máximo hacia abajo y tire de la broca hacia fuera.

(Fig. 15)

## Ángulo de la broca (cincelado, desincrustación o demolición) (Fig. 16 y 17)

La broca puede fijarse en 12 ángulos diferentes. Para cambiarlo, apriete el botón de bloqueo y coloque la palanca de cambio de forma que el puntero señale al símbolo .

Gire la broca al ángulo requerido.

Apriete el botón de bloqueo y coloque la palanca de cambio de forma que el puntero señale al símbolo . Compruebe que la broca ha quedado bien sujeta; para ello, gírela ligeramente. (Fig. 18 y 19)

## Calibre de profundidad (Fig. 20)

El calibre de profundidad es muy útil para realizar agujeros de profundidad uniforme. Afloje el tornillo de apriete y ajuste el calibre de profundidad en la profundidad deseada. Tras el ajuste, apriete firmemente el tornillo de apriete.

### NOTA:

- No se puede usar el calibre de profundidad en la posición en la que golpea contra el alojamiento del engranaje / motor.

## MANEJO

### Función de perforación con percusión (Fig. 21)

Coloque la palanca de cambio al símbolo .

Coloque la broca en el lugar donde desee practicar el orificio y, a continuación, presione el interruptor disparador. No fuerce la herramienta. Los mejores

resultados se obtienen cuando se ejerce una presión suave. Mantenga la herramienta en posición y evite que se desplace fuera del orificio. No ejerza más presión cuando el orificio se obstruya con restos o partículas de materiales. Pare la herramienta y, a continuación, extraiga la broca parcialmente del orificio. Repita esta operación varias veces hasta que el orificio se limpie y pueda reanudar la perforación.


#### PRECAUCIÓN:

- Cuando la broca empieza a romper el hormigón o cuando entra en contacto con las barras de refuerzo del hormigón la herramienta podría reaccionar peligrosamente. A fin de evitar reacciones peligrosas, colóquese en una posición que le permita mantener bien el equilibrio con los pies bien colocados y sujete la herramienta firmemente con ambas manos.

### Bulbo de extracción (accesorio opcional) (Fig. 22)

Tras perforar el orificio, utilice el bulbo de extracción para quitar el polvo y los restos de materiales del orificio.

### Cincelado/desincrustación/demolición (Fig. 23)

Coloque la palanca de cambio al símbolo . Sujete firmemente la herramienta con ambas manos. Encienda la herramienta y aplique una ligera presión sobre ella para evitar que rebote sin control. Apretar demasiado la herramienta no aumenta la eficacia.

## MANTENIMIENTO

#### PRECAUCIÓN:

- Asegúrese siempre de que la herramienta esté apagada y desenchufada antes de intentar realizar cualquier trabajo de inspección o mantenimiento en ella.
- Las intervenciones deben ser realizadas únicamente por un centro de servicio técnico autorizado de Makita. Esta herramienta no requiere lubricación por horas ni diaria, porque tiene un sistema de lubricación constante con grasa. La lubricación debería renovarse de forma regular. Deberá enviar la herramienta completa a un centro de servicio autorizado de Makita para que lubriquen la herramienta.

Para conservar la SEGURIDAD y la FIABILIDAD del producto, los trabajos de reparación y otros trabajos de mantenimiento y ajuste deberán ser realizados en centros de servicio autorizados de Makita, utilizando siempre repuestos Makita.

## ACCESORIOS

#### PRECAUCIÓN:

- Se recomienda el uso de estos accesorios o complementos con la herramienta Makita especificada en este manual. El uso de otros accesorios o complementos puede conllevar el riesgo de ocasionar daños corporales. Utilice los accesorios o complementos solamente para su fin establecido.

Si necesita cualquier ayuda para obtener más información relativa a estos accesorios, pregunte al centro de servicio Makita local.

- Brocas con punta de carburo SDS-Max
- Puntero SDS-Max
- Cortafrío SDS-MAX
- Cíncel de desincrustación SDS-MAX
- Cíncel de baldosar SDS-MAX
- Pala de arcilla SDS-MAX
- Grasa para martillo
- Grasa para brocas
- Empuñadura lateral
- Mango lateral
- Calibre de profundidad
- Bulbo de extracción
- Gafas de seguridad
- Maletín de transporte

### Modelo HR4501C

#### Sólo para países europeos

ENG102-1

#### Ruido

Nivel de ruido típico de ponderación A establecido según la 60745-2-6:

Nivel de presión de sonido ( $L_{pA}$ ): 94 dB (A)

Nivel de potencia de sonido ( $L_{WA}$ ): 105 dB (A)

Incertidumbre (K): 3 dB (A)

#### Utilice protección para los oídos

#### Vibración

ENG216-1

Valor total de vibración (suma de vectores triaxiales) establecido según la EN60745-2-6:

Modo de trabajo: función de desincrustación con empuñadura lateral

Emisión de vibraciones ( $a_{h,CHeq}$ ): 12,5 m/s<sup>2</sup>

Incertidumbre (K): 1,5 m/s<sup>2</sup>

ENG306-1

Modo de trabajo: función de desincrustación con mango lateral

Emisión de vibraciones ( $a_{h,HD}$ ): 12,5 m/s<sup>2</sup>

Incertidumbre (K): 1,5 m/s<sup>2</sup>

ENG303-1

Modo de trabajo: perforación con percusión en hormigón, 25 mm de diámetro y 180 mm de profundidad

Emisión de vibraciones ( $a_{h,HD}$ ): 16 m/s<sup>2</sup>

Incertidumbre (K): 1,5 m/s<sup>2</sup>



**Modelo HR4510C****Sólo para países europeos**

ENG102-1

**Ruido**

Los niveles típicos de ruido ponderado A determinados conforme a 60745-2-6:

Nivel de presión de sonido ( $L_{pA}$ ): 93 dB (A)

Nivel de potencia de sonido ( $L_{WA}$ ): 104 dB (A)

Incertidumbre (K): 3 dB (A)

**Utilice protección para los oídos****Vibración**

ENG216-1

El valor total de las vibraciones (suma de vectores triaxial) determinado conforme a EN60745-2-6:

Modo de trabajo: función de desincrustación con empuñadura lateral

Emisión de vibraciones ( $a_{h,CHeq}$ ): 8,5 m/s<sup>2</sup>

Incertidumbre (K): 1,5 m/s<sup>2</sup>

ENG306-1

Modo de trabajo: función de desincrustación con mango lateral Emisión de vibraciones ( $a_{h,CHeq}$ ):

8,5 m/s<sup>2</sup>

Incertidumbre (K): 1,5 m/s<sup>2</sup>

ENG303-1

Modo de trabajo: perforación con percusión en hormigón, 25 mm de diámetro y 180 mm de profundidad

Emisión de vibraciones ( $a_{h,HD}$ ): 9,5 m/s<sup>2</sup>

Incertidumbre (K): 2 m/s<sup>2</sup>

**Modelo HR4511C****Sólo para países europeos**

ENG102-1

**Ruido**

Los niveles típicos de ruido ponderado A determinados conforme a 60745-2-6:

Nivel de presión de sonido ( $L_{pA}$ ): 94 dB (A)

Nivel de potencia de sonido ( $L_{WA}$ ): 105 dB (A)

Incertidumbre (K): 3 dB (A)

**Utilice protección para los oídos****Vibración**

ENG216-1

El valor total de las vibraciones (suma de vectores triaxial) determinado conforme a EN60745-2-6:

Modo de trabajo: función de desincrustación con empuñadura lateral

Emisión de vibraciones ( $a_{h,CHeq}$ ): 7 m/s<sup>2</sup>

Incertidumbre (K): 1,5 m/s<sup>2</sup>

ENG306-1

Modo de trabajo: función de desincrustación con mango lateral Emisión de vibraciones ( $a_{h,CHeq}$ ):

7,5 m/s<sup>2</sup>

Incertidumbre (K): 1,5 m/s<sup>2</sup>

ENG303-1

Modo de trabajo: perforación con percusión en hormigón, 25 mm de diámetro y 180 mm de profundidad

Emisión de vibraciones ( $a_{h,HD}$ ): 7,5 m/s<sup>2</sup>

Incertidumbre (K): 1,5 m/s<sup>2</sup>

**DECLARACIÓN DE CONFORMIDAD DE LA CE****Modelo; HR4501C, HR4510C, HR4511C**

ENH101-7

Declaramos bajo nuestra exclusiva responsabilidad que este producto cumple con los siguientes estándares de documentos estandarizados;

EN60745, EN55014, EN61000 de acuerdo con las directivas del Consejo, 2004/108/EC, 98/37/EC.

**CE 2006**


Tomoyasu Kato  
Director

Fabricante responsable:

**Makita Corporation**

3-11-8, Sumiyoshi-cho, Anjo, Aichi, JAPÓN

Representante autorizado en Europa:

**Makita International Europe Ltd.**

Michigan Drive, Tongwell, Milton Keynes, Bucks MK15 8JD, REINO UNIDO

## Descrição geral

- |   |   |                             |
|---|---|-----------------------------|
| 1. Gatilho                                | 8. Lâmpada de indicação de serviço (vermelho) | 15. Tampa do mandril        |
| 2. Alavanca do interruptor                | 9. Pega lateral                               | 16. Medidor de profundidade |
| 3. Manípulo de ajuste                     | 10. Porca de fixação                          | 17. Parafuso de fixação     |
| 4. Alavanca de comutação                  | 11. Apoio lateral                             | 18. Fole                    |
| 5. Ponteiro                               | 12. Haste da broca                            |                             |
| 6. Botão de bloqueio                      | 13. Lubrificador da broca                     |                             |
| 7. Lâmpada de indicação de ligado (verde) | 14. Broca                                     |                             |

## ESPECIFICAÇÕES

Modelo		HR4501C	HR4510C	HR4511C
Capacidades	Broca com ponta de carbido	45 mm		
	Broca de coroa	125 mm		
Sem velocidade de rotação em carga (mín. <sup>-1</sup> )		130 - 280		
Sopros por minuto		1.275 – 2.750		
Comprimento total		458 mm		
Peso líquido		7,8 kg	8,3 kg	8,4 kg
Classe de segurança		II/II		

- Devido à pesquisa e desenvolvimento constantes, estas especificações estão sujeitas a alteração sem aviso prévio.
- Nota: estas especificações podem diferir de país para país.

### Símbolos

END201-2

Descrição dos símbolos utilizados no equipamento.

Certifique-se de que compreende o seu significado, antes da utilização.



..... Leia o manual de instruções.



..... BLINDAGEM DUPLA

### Utilização prevista

ENE044-1

Esta ferramenta é para perfuração com martelo e perfuração em tijolo, cimento ou pedra assim como para trabalhos de acabamento.

### Fonte de alimentação

ENF002-1

A ferramenta apenas deve ser ligada a uma fonte de alimentação da mesma tensão que a indicada na chapa de especificações, e apenas pode funcionar com uma alimentação CA monofásica. Estão blindadas duplamente, de acordo com a Norma Europeia e podem, assim, ser igualmente ligadas a tomadas sem fio terra.

## REGRAS DE SEGURANÇA ESPECÍFICAS

GEB007-2

**NÃO** deixe que o conforto ou a familiaridade com o aparelho (adquirida graças à experiência de utilização) substitua o comprimento absoluto das regras de segurança relativas a martelos rotativos. Se utilizar esta ferramenta de forma insegura ou incorrecta, poderá sofrer ferimentos graves.

1. Use protecção para os ouvidos. A exposição ao ruído pode provocar a perda de audição.

2. **Utilize as pegas auxiliares fornecidas com a ferramenta.** A perda de controlo pode provocar ferimentos pessoais.
3. **Segure nas ferramentas eléctricas pelas pegas revestidas e isoladas, quando efectuar uma operação em que a ferramenta de corte possa entrar em contacto com fios eléctricos ocultos ou com o próprio cabo de alimentação.** O contacto com um fio eléctrico ligado à corrente pode electrificar as peças de metal da ferramenta e causar um choque.
4. **Use um capacete de segurança, óculos de protecção e/ou visor de protecção. Os óculos normais de visão ou os óculos escuros NÃO são óculos de segurança. É igualmente recomendável que use uma máscara de pó e luvas forradas grossas.**
5. **Certifique-se que a broca fixa no lugar antes de a utilizar.**
6. **Em funcionamento normal, a ferramenta está concebida para produzir vibrações. Os parafusos podem soltar-se facilmente, podendo provocar danos ou um acidente. Verifique se os parafusos estão bem apertados antes de utilizar o aparelho.**
7. **Em tempo frio ou quando a ferramenta não for usada durante muito tempo, deixe-a arrefecer durante um bocadinho antes de a utilizar sem carga. Isto melhora a lubrificação. Sem um arrefecimento correcto, o processo de martelagem pode tornar-se difícil.**
8. **Procure uma posição em pé estável e firme. Se utilizar a ferramenta em locais altos, verifique se não há ninguém por baixo.**
9. **Segure a ferramenta com firmeza, com as duas mãos.**
10. **Afaste as mãos das peças em movimento.**

11. Não abandone a ferramenta a funcionar. Ponha-a a funcionar apenas quando estiver a segurá-la.
12. Não aponte a ferramenta a ninguém quando a estiver a utilizar. A broca pode soltar-se e ferir alguém seriamente.
13. Não toque numa broca nem nos seus componentes logo após a operação porque podem estar demasiado quentes.
14. Alguns materiais contêm produtos químicos que podem ser tóxicos. Tenha cuidado para evitar a inalação de pó e contacto com a pele. Siga as instruções de segurança do fornecedor do material.

## GUARDE ESTAS INSTRUÇÕES.

### AVISO:

Uma UTILIZAÇÃO INCORRECTA ou o não cumprimento das regras de segurança indicadas neste manual de instruções poderão causar ferimentos graves.

## DESCRIÇÃO DO FUNCIONAMENTO

### PRECAUÇÃO:

- Certifique-se sempre de que a ferramenta está desligada no interruptor e da tomada antes de proceder a ajustes ou testes à mesma.

### O gatilho/interruptor (Fig. 1)

#### PARA O MODELO HR4511C

### PRECAUÇÃO:

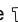

- Antes de inserir a ficha da ferramenta na tomada, verifique se o gatilho está a funcionar correctamente e se volta à posição "OFF" quando o solta.

Para colocar a ferramenta em funcionamento prima o gatilho. Para parar a ferramenta, solte o gatilho.

#### PARA OS MODELOS HR4510C/ HR4501C

#### Gatilho


### PRECAUÇÃO:

- Antes de inserir a ficha da ferramenta na tomada, verifique se o gatilho está a funcionar correctamente e se volta à posição "OFF" quando o solta.
- Este interruptor funciona quando ajusta a ferramenta para os modos símbolos  e .

Para colocar a ferramenta em funcionamento prima o gatilho. Para parar a ferramenta, solte o gatilho.

#### Interruptor deslizante

### PRECAUÇÃO:

- Antes de inserir a ficha da ferramenta na tomada, nunca se esqueça de verificar se a ferramenta está desligada.
  - Este interruptor funciona só quando ajusta a ferramenta para o modo de símbolo de acção .
- Quando usa a ferramenta no modo martelo por um período de tempo longo, o interruptor deslizante está disponível. Para ligar a ferramenta, carregue no lado "I (ON)" da alavanca do interruptor. Para desligar a ferramenta, carregue no lado "O (OFF)" da alavanca do interruptor. (Fig. 2)

## Alteração da velocidade (Fig. 3)

As rotações e sopros por minuto podem ser ajustadas rodando o manípulo de ajuste. O manípulo está marcado de 1 (velocidade mínima) a 5 (velocidade máxima). Consulte a tabela em baixo para a verificar a relação entre a definição dos números no manípulo de regulação e as rotações/sopros por minuto.


Número no manípulo de ajuste	Rotações por minuto	Sopros por minuto
5	280	2.750
4	260	2.550
3	200	1.950
2	150	1.450
1	130	1.250

### PRECAUÇÃO:

- Se a ferramenta fica em funcionamento contínuo a velocidades baixas por muito tempo, o motor fica sobrecarregado causando avaria no equipamento.
- O manípulo de regulação da velocidade apenas pode ser rodado até 5 ou 1. Não o force para lá de 5 ou 1, caso contrário a função de regulação da velocidade poderá deixar de funcionar.


## Seleccionar o modo de funcionamento

### Rotação com martelo (Fig. 4 e 5)


Para perfurar em cimento, pedra, etc., prima o botão de bloqueio e rode o manípulo de mudança do modo de funcionamento para o símbolo . Utilize uma broca com ponta de carboneto de tungsténio.

### Apenas martelo


#### PARA O MODELO HR4501C E HR4510C (Fig. 6)

Para desbastar, desencrostar ou demolir, prima o botão de bloqueio e rode o manípulo de mudança do modo de funcionamento para o símbolo . Utilize uma ponta de cinzel, buril, cinzel de desbaste, etc.


#### Para martelar durante longos períodos (APENAS PARA OS MODELOS HR4501 E HR4510C) (Fig. 7)

Para desbastar, desencrostar ou demolir, prima o botão de bloqueio e rode o manípulo de mudança do modo de funcionamento para o símbolo . Utilize uma ponta de cinzel, buril, cinzel de desbaste, etc.

### PRECAUÇÃO:

- Quando utiliza a ferramenta no  modo símbolo, o gatilho não funciona; apenas funciona o interruptor deslizante.

#### PARA O MODELO HR4511C (Fig. 8)

Para desbastar, desencrostar ou demolir, prima o botão de bloqueio e rode o manípulo de mudança do modo de funcionamento para o símbolo . Utilize uma ponta de cinzel, buril, cinzel de desbaste, etc.

### PRECAUÇÃO:

- Não rode o manípulo de mudança quando a ferramenta está em funcionamento sobre carga. Pode avariar a ferramenta.
- Para evitar uma rápida deterioração no mecanismo de mudança de modo, certifique-se de que o manípulo de mudança do modo de funcionamento está sempre

correctamente posicionado numa das três posições do modo de funcionamento.

## Limitador de binário

O limitador de binário actua quando um denominado nível de binário é atingido. O motor desengata do veio de saída. Quando isto acontecer, a broca pára de girar.

### PRECAUÇÃO:

- Assim que o limitador de binário actua, desligue a ferramenta imediatamente. Isto ajuda a evitar uma deterioração prematura da ferramenta.

## Lâmpada indicadora (Fig. 9)

A lâmpada indicadora verde de alimentação ligada, acende-se quando a ferramenta é ligada à tomada. Se a lâmpada indicadora não se acender, o cabo de alimentação ou a lâmpada indicadora podem estar avariados. Se a lâmpada indicadora se acender mas a ferramenta não se iniciar, mesmo que a ferramenta seja ligada, as escovas de carvão poderão estar gastas ou o motor ou interruptor podem estar avariados.

A lâmpada vermelha indicadora de serviço acende quando as escovas de carvão estão quase gastas, para indicar que a ferramenta precisa de manutenção. Depois de aproximadamente 8 horas de uso, o motor desliga-se automaticamente.

## MONTAGEM

### PRECAUÇÃO:

- Certifique-se sempre de que a ferramenta está desligada no interruptor e da tomada antes de efectuar qualquer trabalho na mesma.

## Pega lateral (Fig. 10)

### PRECAUÇÃO:

- Use a pega lateral apenas quando desbastar, desencrostar ou demolir. Não a use quando perfurar em cimento, pedra, etc. A ferramenta não pode ser segurada correctamente com esta pega lateral quando faz perfuração.

A pega lateral pode ser movimentada a 360° na vertical e assegurar qualquer posição desejada. Também assegura oito posições diferentes para a frente e para trás na horizontal. Solte a porca de fixação para movimentar a pega lateral para a posição que pretender. Depois aperte a porca de fixação com segurança. (Fig. 11)

## Apoio lateral (Fig. 12)

### PRECAUÇÃO:

- Use sempre o apoio lateral para assegurar uma operação segura quando perfurar em cimento, pedra, etc.

O apoio lateral move-se para o outro lado, permitindo um fácil manuseamento da ferramenta em qualquer posição. Solte a pega lateral rodando-a no sentido contrário aos ponteiros do relógio, mova-a para a posição desejada e depois aperte-a rodando-a no sentido dos ponteiros do relógio

## Instalar ou retirar a broca (Fig. 13)

Limpe a haste da broca e aplique lubrificante na broca antes de a instalar.

Introduza a broca na ferramenta. Gire a broca e empurre-a até encaixar. (Fig. 14)


Se não a conseguir empurrar, retire-a. Puxe a tampa do mandril para baixo várias vezes. E introduza a broca novamente. Gire a broca e empurre-a até encaixar.

Após instalar, certifique-se sempre de que a broca está bem fixa, tentando puxá-la para fora.


Para retirar a broca, puxe a tampa do mandril para baixo completamente e retire a broca. (Fig. 15)

## Ângulo da broca (quando desbastar, desencrostar ou demolir) (Fig. 16 e 17)

A broca pode ser encaixada em 12 ângulos diferentes.

Para alterar o ângulo da broca, prima o botão de bloqueio e rode o manípulo de mudança do modo de funcionamento para o símbolo .

Rode a broca para o ângulo desejado.

Prima o botão de bloqueio e rode o manípulo de mudança até apontar para o símbolo . Certifique-se de que a broca está bem encaixada girando-a ligeiramente.

(Fig. 18 e 19)

## Medidor de profundidade (Fig. 20)


O medidor de profundidade é conveniente para perfurar buracos de profundidade uniforme. Solte a porca de fixação e ajuste o medidor de profundidade para a profundidade desejada. Após o ajuste, aperte a porca de fixação firmemente.

### NOTA:

- O medidor de profundidade não pode ser usado na posição em que o medidor de profundidade fique contra o compartimento de velocidade/compartimento do motor.

## FUNCIONAMENTO

### Perfuração com percussão (Fig. 21)

Ajuste o manípulo de mudança para o símbolo .

Posicione a broca no ponto onde deseja efectuar a perfuração e prima o gatilho. Não force a ferramenta. Se aplicar uma leve pressão obterá melhores resultados.

Concentre-se em manter a ferramenta na posição correcta e não deixar que a broca saia do orifício. Não aplique mais pressão quando o orifício começar a ficar entupido com partículas do material perfurado. Em vez disso, coloque a ferramenta em compasso de espera e retire parcialmente a broca do orifício. Repetindo este processo várias vezes, manterá o orifício limpo e uma perfuração normal.

### PRECAUÇÃO:

- Quando a broca começa a perfurar betão ou se a broca fulminar com muita força contra o cimento, a ferramenta pode tornar-se perigosa. Mantenha um bom equilíbrio com os pés firmes e em segurança enquanto segura a ferramenta firmemente com as duas mãos para evitar situações perigosas.

### Fole (acessório opcional) (Fig. 22)

Depois de perfurado o orifício, utilize o fole para retirar o entulho e partículas.

## Desbastar/Desencrostar/Demolir (Fig. 23)

Ajuste o manípulo de mudança para o símbolo  $\uparrow$ .  
Segure a ferramenta com firmeza, com as duas mãos.  
Ligue a ferramenta e aplique uma ligeira pressão na ferramenta, de forma a que a ferramenta não salte descontrolada. Premir a ferramenta com muita força não aumentará a eficiência.

## MANUTENÇÃO

### PRECAUÇÃO:

- Certifique-se sempre de que a ferramenta está desligada no interruptor e da tomada antes de inspeccionar ou fazer a manutenção da ferramenta.
- Este serviço deve ser realizado apenas pelos Centros de Serviço Autorizados da Makita.

Esta ferramenta não necessita de lubrificação constante ou diária pois tem um sistema de lubrificação integrado. Deve ser relubricado regularmente. Envie a ferramenta completa para um centro de assistência autorizado Makita para efectuar este serviço de lubrificação. Para manter os níveis de SEGURANÇA e FIABILIDADE definidos para este produto, reparações, operações de manutenção ou ajustes devem ser executados por centros de assistência Makita autorizados e, no caso de substituição de peças, estas devem ser igualmente Makita.

## ACESSÓRIOS

### PRECAUÇÃO:

- Os seguintes acessórios ou extensões são os recomendados para utilizar com a ferramenta Makita especificada neste manual. A utilização de outros acessórios ou extensões podem provocar ferimentos. Utilize cada acessório ou extensão apenas para o fim indicado.

Se precisar de informações adicionais relativas aos acessórios, contacte o centro local de assistência Makita.

- Brocas com ponta de carboneto SDS-Max
- Ponta de cinzel SDS-Max
- Butil SDS-MAX
- Cinzel de desbaste SDS-MAX
- Cinzel de telha SDS-MAX
- Pá de barro SDS-MAX
- Lubrificante para o martelo
- Lubrificante para brocas
- Pega lateral
- Apoio lateral
- Medidor de profundidade
- Fole
- Óculos protectores
- Mala de transporte

## Para o Modelo HR4501C

### Apenas para os países europeus

ENG102-1

#### Ruído

Os níveis acústicos ponderados A típicos foram determinados segundo a 60745-2-6:

Nível de pressão sonora ( $L_{pA}$ ): 94 dB (A)

Nível de potência sonora ( $L_{WA}$ ): 105 dB (A)

Imprecisão (K): 3 dB (A)

#### Use protecção para os ouvidos

#### Vibração

ENG216-1

O valor total da vibração (soma vectorial triaxial) é determinado segundo a EN60745-2-6:

Modo de trabalho: função esculpir com a pega lateral

Emissão de vibração ( $a_{h,CHeq}$ ): 12,5 m/s<sup>2</sup>

Imprecisão (K): 1,5 m/s<sup>2</sup>

ENG306-1

Modo de trabalho: função esculpir com o apoio lateral

Emissão de vibração ( $a_{h,HD}$ ): 12,5 m/s<sup>2</sup>

Imprecisão (K): 1,5 m/s<sup>2</sup>

ENG303-1

Modo de trabalho: martelo para perfurar em cimento, 25 mm de diâmetro e 180 mm profundidade

Emissão de vibração ( $a_{h,HD}$ ): 16 m/s<sup>2</sup>

Imprecisão (K): 1,5 m/s<sup>2</sup>

## Para o Modelo HR4510C

### Apenas para os países europeus

ENG102-1

#### Ruído

Os níveis acústicos ponderados A típicos são determinados para 60745-2-6:

Nível de pressão sonora ( $L_{pA}$ ): 93 dB (A)

Nível de potência sonora ( $L_{WA}$ ): 104 dB (A)

Imprecisão (K): 3 dB (A)

#### Use protecção para os ouvidos

#### Vibração

ENG216-1

O valor total de vibração (tri-axial vector sum) determinado de acordo com EN60745-2-6:

Modo de trabalho: função esculpir com a pega lateral

Emissão de vibração ( $a_{h,CHeq}$ ): 8,5 m/s<sup>2</sup>

Imprecisão (K): 1,5 m/s<sup>2</sup>

ENG306-1

Modo de trabalho: função esculpir com o apoio lateral emissão vibração ( $a_{h,CHeq}$ ): 8,5 m/s<sup>2</sup>

Imprecisão (K): 1,5 m/s<sup>2</sup>

ENG303-1

Modo de trabalho: perfuração com percussão em betão, 25 mm de diâmetro e 180 mm de profundidade

Emissão de vibração ( $a_{h,HD}$ ): 9,5 m/s<sup>2</sup>

Imprecisão (K): 2 m/s<sup>2</sup>

**Para o Modelo HR4511C**

**Apenas para os países europeus**

ENG102-1

**Ruído**

Os níveis acústicos ponderados A típicos são determinados para 60745-2-6:

Nível de pressão sonora ( $L_{pA}$ ): 94 dB (A)

Nível de potência sonora ( $L_{WA}$ ): 105 dB (A)

Imprecisão (K): 3 dB (A)

**Use protecção para os ouvidos**

**Vibração**

ENG216-1

O valor total de vibração (tri-axial vector sum)

determinado de acordo com EN60745-2-6:

Modo de trabalho: função esculpir com a pega lateral

Emissão de vibração ( $a_{h,CHeq}$ ): 7 m/s<sup>2</sup>

Imprecisão (K): 1,5 m/s<sup>2</sup>

ENG306-1

Modo de trabalho: função esculpir com o apoio

lateral emissão vibração ( $a_{h,CHeq}$ ): 7,5 m/s<sup>2</sup>

Imprecisão (K): 1,5 m/s<sup>2</sup>

ENG303-1

Modo de trabalho: martelo para perfurar em cimento,

25 mm de diâmetro e 180 mm profundidade

Emissão de vibração ( $a_{h,HD}$ ): 7,5 m/s<sup>2</sup>

Imprecisão (K): 1,5 m/s<sup>2</sup>

**EC-DECLARAÇÃO DE CONFORMIDADE**

ENH101-7

**Modelo; HR4501C, HR4510C, HR4511C**

Declaramos, sob a nossa única responsabilidade, que

este produto está em conformidade com as seguintes

normas de documentos normalizados;

EN60745, EN55014, EN61000 em conformidade com as

Directivas do Conselho, 2004/108/EC, 98/37/EC.

**CE 2006**



Tomoyasu Kato  
Director

Fabricante responsável:

**Makita Corporation**

3-11-8, Sumiyoshi-cho, Anjo, Aichi, JAPAN

Representante autorizado na Europa:

**Makita International Europe Ltd.**

Michigan Drive, Tongwell, Milton Keynes, Bucks MK15

8JD, INGLATERRA

**Forklaring til generel oversigt**

- |                            |                                     |                        |
|----------------------------|-------------------------------------|------------------------|
| 1. Kontaktgreb             | 7. Indikatorlampe for strøm (grøn)  | 13. Smørelse til spids |
| 2. Kontakthåndtag          | 8. Indikatorlampe for service (rød) | 14. Spids              |
| 3. Drejeknap til justering | 9. Sidehåndtag                      | 15. Værktøjsholder     |
| 4. Skiftearm               | 10. Tilspændingsmøtrik              | 16. Dybdemåler         |
| 5. Pil                     | 11. Sidegreb                        | 17. Tilspændingsskrue  |
| 6. Låseknop                | 12. Værktøjsskaft                   | 18. Udblæsningskolbe   |

**SPECIFIKATIONER**

Model		HR4501C	HR4510C	HR4511C
Kapaciteter	Karbidforstærket spids	45 mm		
	Kernebor	125 mm		
Hastighed uden belastning (min <sup>-1</sup> )		130 - 280		
Slag pr. minut		1.275 – 2.750		
Længde i alt		458 mm		
Nettovægt		7,8 kg	8,3 kg	8,4 kg
Sikkerhedsklasse		II/III		

- På grund af vores løbende forsknings- og udviklingsprogram kan specifikationerne heri ændres uden forudgående varsel.
- Bemærk: Specifikationerne kan variere fra land til land.

**Symboler**

END201-2

Følgende viser de symboler, der benyttes til udstyret. Vær sikker på, at De forstår deres betydning, før De bruger værktøjet.



..... Læs brugsanvisningen.



..... DOBBELT ISOLERET

**Tilsigtet brug**

ENE044-1

Den tilsigtede brug af dette værktøj er slagboring i mursten, beton og sten samt mejslingsarbejde.

**Strømforsyning**

ENF002-1

Værktøjet bør kun slutes til en strømforsyning med den spænding, der er angivet på navnepladen, og det kan kun benyttes med enkelfaset vekselstrøm. Det er dobbelt isoleret i overensstemmelse med europæisk standard og kan derfor også slutes til stikkontakter uden jordforbindelse.

**SÆRLIGE SIKKERHEDSREGLER**

GEB007-2

**LAD IKKE komfort og fortrolighed med dette produkt (opnået gennem gentaget brug) erstatte streng overholdelse af sikkerhedsreglerne for borehammeren. Hvis du anvender dette værktøj på usikker eller forkert vis, kan du komme alvorligt til skade.**

- Bær høreværn.** Udsættelse for støj kan medføre høreskader.
- Benyt de ekstra håndtag, der leveres med værktøjet.** Hvis De mister kontrollen, kan De komme til skade.
- Hold el-værktøj i de isolerede gribeblader, når du udfører et arbejde, hvor skæreværktøjet kan komme i kontakt med skjulte ledninger eller værktøjets egen ledning.** Ved kontakt med strømførende ledninger bliver udsatte metaldele på værktøjet strømførende, hvorved operatøren kan få elektrisk stød.
- Bær hård hovedbeklædning (sikkerhedshjelm), beskyttelsesbriller og/eller ansigtsmaske. Almindelige briller eller solbriller er IKKE sikkerhedsbriller. Det anbefales desuden kraftigt at bære støvmaske og kraftigt polstrede handsker.**
- Kontroller, at spidsen sidder godt fast før brug.**
- Værktøjet er designet til at forårsage vibration ved normal brug. Skruer kan nemt løse sig og medføre et nedbrud eller en ulykke. Kontroller før brug, at skrueerne sidder stramt.**
- Under kolde forhold, eller når værktøjet ikke har været anvendt i længere tid, skal De lade værktøjet varme op et stykke tid ved at lade det køre i tomgang. Derved løses smøremidlet. Uden korrekt opvarmning kan betjening af hammeren være vanskelig.**
- Sørg altid for at have et solidt fodfæste. Sørg for, at der ikke er nogen under dig, når du benytter værktøjet på højtliggende steder.**
- Hold godt fast i værktøjet med begge hænder.**
- Hold hænderne på afstand af bevægelige dele.**
- Gå ikke fra værktøjet, mens det kører. Betjen kun værktøjet ved at holde det i hænderne.**
- Ret ikke værktøjet mod personer i nærheden, mens det kører. Spidsen kan flyve ud og forårsage alvorlig personskade.**
- Berør ikke spidsen eller dele i nærheden af spidsen umiddelbart efter brugen. De kan være meget varme og kan forårsage forbrændinger af huden.**

14. Nogle materialer indeholder kemikalier, der kan være giftige. Sørg for at forhindre indånding af støv og hudkontakt. Følg materialeleverandørens sikkerhedsdata.

## GEM DISSE INSTRUKTIONER.

### ADVARSEL:

**FEJLAGTIGT BRUG** eller manglende overholdelse af de sikkerhedsregler, der gives i denne brugervejledning, kan forårsage alvorlig personskade.

## FUNKTIONSBESKRIVELSE

### FORSIGTIG:

- Sørg altid for, at værktøjet er slukket, og at stikket er taget ud af stikkontakten, før De justerer værktøjet eller kontrollerer dets funktion.

### Betjening af kontakt (Fig. 1)

#### FOR MODEL HR4511C

### FORSIGTIG:

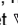
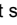
- Før værktøjet tilsluttes, skal De altid kontrollere, at kontaktrebet reagerer korrekt og vender tilbage til "OFF"-stillingen, når De slipper det.

For at starte værktøjet skal De blot trykke på kontaktrebet. Slip kontaktrebet for at stoppe.

#### FOR MODELLERNE HR4510C/ HR4501C

#### Udløserkontakt


### FORSIGTIG:

- Før værktøjet tilsluttes, skal De altid kontrollere, at kontaktrebet reagerer korrekt og vender tilbage til "OFF"-stillingen, når De slipper det.
- Kontakten fungerer, når værktøjet sættes i tilstandene angivet ved mærket  og mærket .

For at starte værktøjet skal De blot trykke på kontaktrebet. Slip kontaktrebet for at stoppe.

#### Glidekontakt

### FORSIGTIG:

- Kontroller altid, at der er slukket for værktøjet, før det sluttes til stikkontakten.
- Kontakten fungerer, når værktøjet sættes i tilstanden angivet ved mærket .

Glidekontakten er tilgængelig, når værktøjet anvendes i hammerilstand i længere tid ad gangen. Tryk på "I (ON)"-siden af kontakthåndtaget for at starte værktøjet. Tryk på "O (OFF)"-siden af kontaktrebet for at stoppe værktøjet. (Fig. 2)

### Ændring af hastigheden (Fig. 3)

Omdrejningstallet og antallet af slag pr. minut kan ændres ved at dreje på drejeknappen. Drejeknappen har mærker fra 1 (laveste hastighed) til 5 (fuld hastighed).

Se i tabellen nedenfor for sammenhængen mellem talindstillingerne på drejeknappen og antallet af omdrejninger/slag pr. minut.


Nummer på drejeknappen	Omdrejninger pr. minut	Slag pr. minut
5	280	2.750
4	260	2.550
3	200	1.950
2	150	1.450
1	130	1.250

### FORSIGTIG:

- Hvis værktøjet anvendes i længere tid ved lav hastighed, bliver motoren overbelastet, og værktøjet kan gå i stykker.
- Drejeknappen til hastighedsjustering kan kun drejes op til 5 og tilbage til 1. Prøv ikke at tvinge den forbi 5 eller 1, da hastighedsjusteringen ellers kan gå i stykker.

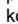
### Valg af funktionstilstand

#### Rotation med slag (Fig. 4 og 5)

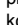
Ved boring i beton, murværk osv. skal låseknappen trykkes ned, og skiftearmen skal drejes, så pilen peger på -mærket. Brug en bit med wolframkarbidforstærkning.

#### Kun slag


#### FOR MODEL HR4501C OG HR4510 (Fig. 6)

Ved mejsling, afbankning eller nedrivning skal låseknappen trykkes ned, og skiftearmen skal drejes, så pilen peger på -mærket. Brug en spidshammer, koldmejsel, afbankningsmejsel osv.

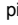
#### Til længere tids brug af slagbor (KUN FOR MODELLERNE HR4501C OG HR4510C) (Fig. 7)

Ved mejsling, afbankning eller nedrivning skal låseknappen trykkes ned, og skiftearmen skal drejes, så pilen peger på -mærket. Brug en spidshammer, koldmejsel, afbankningsmejsel osv.

### FORSIGTIG:

- Når værktøjet bruges i -tilstanden, fungerer kontaktrebet ikke, og kun glidekontakten virker.

#### FOR MODEL HR5211C (Fig. 8)

Ved mejsling, afbankning eller nedrivning skal låseknappen trykkes ned, og skiftearmen skal drejes, så pilen peger på -mærket. Brug en spidshammer, koldmejsel, afbankningsmejsel osv.

### FORSIGTIG:

- Undlad at dreje skiftearmen, mens værktøjet kører under belastning. Dette vil beskadige værktøjet.
- For at undgå hurtigt slid på mekanismen til funktionsskift skal De sikre Dem, at skiftearmen altid er sikkert placeret i en af de to eller tre funktionspositioner.

### Skridkoblingen

Skridkoblingen vil udløses, når et vist momentniveau nås. Motoren vil koble fra drivakslen. Når dette sker, holder spidsen op med at dreje rundt.

### FORSIGTIG:

- Så snart skridkoblingen udløses, skal værktøjet slukkes med det samme. Dette vil hjælpe med til at forhindre, at værktøjet nedslides for tidligt.



## Indikatorlampe (Fig. 9)

Den grønne indikatorlampe for strøm lyser, når værktøjet er sat i stikkontakten. Hvis indikatorlampen ikke tændes, er netledningen eller kontrollen muligvis defekte. Hvis indikatorlampen lyser, men værktøjet ikke tændes, selvom der er tændt for værktøjet, er kulbørsterne muligvis slidt ned, eller motoren eller kontakten kan være defekte.

Den røde indikatorlampe for service tænder, når kulbørsterne er ved at være slidt ned, for at angive, at der skal udføres service på værktøjet. Der slukkes automatisk for motoren efter cirka 8 timers brug.

## MONTERING

### FORSIGTIG:

- Sørg altid for, at værktøjet er slukket og taget ud af stikkontakten, før De udfører nogen form for arbejde på værktøjet.

## Sidehåndtag (Fig. 10)

### FORSIGTIG:

- Brug kun sidehåndtaget ved mejsling, afbankning eller nedrivning. Undlad at bruge det ved boring i beton, murværk osv. Værktøjet kan ikke holdes korrekt med dette sidehåndtag ved boring.

Sidehåndtaget kan drejes 360° om den lodrette akse og fastgøres i den ønskede position. Det kan også fastgøres i otte forskellige positioner bagud og fremad om den vandrette akse. Løsn tilspændingsmøtrikken for at dreje sidehåndtaget til den ønskede position. Stram derefter tilspændingsmøtrikken godt. (Fig. 11)

## Sidegreb (Fig.12)

### FORSIGTIG:

- Brug altid sidegrebet til at sikre betjenings sikkerheden ved boring i beton, murværk osv.

Sidegrebet kan svinges til begge sider, så det er let at betjene værktøjet i enhver stilling. Løsn sidegrebet ved at dreje det mod uret, vende det til den ønskede position og derefter stramme det ved at dreje det med uret.

## Montering eller afmontering af spidsen (Fig. 13)

Rengør værktøjsskaffet, og smør fedtstof på det, før monteringen af spidsen.

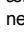
Sæt spidsen i værktøjet. Drej spidsen, og tryk den ind, indtil den går i indgreb. (Fig. 14)

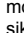
Hvis spidsen ikke kan trykkes ind, skal den tages ud. Træk patrondækslet ned et antal gange. Sæt derefter spidsen i igen. Drej spidsen, og tryk den ind, indtil den går i indgreb.

Efter montering skal De altid sikre Dem, at spidsen sidder godt fast, ved at forsøge at trække den ud.

For at tage spidsen ud skal patrondækslet trækkes helt ned, hvorefter spidsen fjernes. (Fig. 15)

## Vinkel på spids (under mejsling, afbankning eller nedrivning) (Fig. 16 og 17)

Spidsen kan fastgøres i 12 forskellige vinkler. For at ændre vinklen på spidsen skal De trykke låseknappen ned og dreje skiftearmen, så pilen peger mod -mærket. Drej spidsen til den ønskede vinkel.

Tryk låseknappen ned, og drej skiftearmen, så pilen peger mod -mærket. Sørg derefter for, at spidsen holdes sikkert på plads, ved at dreje den en smule. (Fig. 18 og 19)

## Dybdemåler (Fig. 20)

Dybdemåleren kan bruges til at bore huller, som har samme dybde. Løsn tilspændingsskruen, og juster dybdemåleren til den ønskede dybde. Stram skruen godt fast efter justeringen.

### BEMÆRK:

- Dybdemåleren kan ikke bruges i den position, hvor dybdemåleren rammer gearhuset/motorhuset.

## BETJENING

### Betjening ved slagboring (Fig. 21)

Indstil skiftearmen ved -mærket.

Placer spidsen på det sted, hvor hullet skal bores, og træk i kontaktagrebet. Brug ikke magt på værktøjet. Et let tryk giver det bedste resultat. Hold værktøjet på positionen, og undgå, at det glider væk fra hullet.

Anvend ikke mere tryk, når hullet bliver tilstoppet med spåner eller partikler. Lad i stedet værktøjet køre i tomgang, og tag spidsen delvist ud af hullet. Når De gentager denne fremgangsmåde flere gange, tømmes hullet, og De kan fortsætte med at bore.

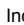
### FORSIGTIG:

- Når spidsen begynder at bryde gennem beton, eller hvis spidsen rammer armeringsjern i beton, kan værktøjet reagere på en farlig måde. Bevar en god balance og godt fodfæste, og hold godt fast i værktøjet med begge hænder for at forhindre farlige reaktioner.

## Udblæsningskolbe (fås som tilbehør) (Fig. 22)

Når hullet er boret, kan De bruge udblæsningskolben til at fjerne støv fra hullet.

## Mejsling/afbankning/nedrivning (Fig. 23)

Indstil skiftearmen ved -mærket.

Hold godt fast i værktøjet med begge hænder. Tænd for værktøjet, og tryk let på værktøjet, så det ikke kommer ud af kontrol. Effektiviteten forøges ikke ved at trykke meget hårdt på værktøjet.

## VEDLIGEHOJDELSE

### FORSIGTIG:

- Sørg altid for, at værktøjet er slukket, og at stikket er taget ud, før De forsøger at udføre inspektion eller vedligeholdelse.
- Denne service bør kun udføres af et autoriseret Makita-servicecenter.

Værktøjet kræver ikke smøring hver time eller hver dag, da det har et indbygget smøringssystem. Det skal smøres med regelmæssige mellemrum. Send hele værktøjet til et autoriseret Makita-servicecenter for at få det smurt. For at holde produktet SIKKERT og PÅLIDELIGT skal reparationer samt al anden vedligeholdelse eller justering udføres af autoriserede Makita-servicecentre, og der skal altid benyttes Makita-reservedele.

## TILBEHØR

### FORSIGTIG:

- Dette tilbehør eller ekstraudstyr anbefales til brug med det Makita-værktøj, som er beskrevet i denne brugsanvisning. Brug af andet tilbehør eller ekstraudstyr kan forårsage personskade. Brug kun tilbehør eller ekstraudstyr til det formål, det er beregnet til.

Henvend Dem til Deres lokale Makita-servicecenter, hvis De har brug for hjælp eller yderligere oplysninger vedrørende tilbehøret.

- SDS-Max karbidforstærkede spidser
- SDS-Max spidshammer
- SDS-MAX koldmejsel
- SDS-MAX afbankningsmejsel
- SDS-MAX teglmejsel
- SDS-MAX lerspade
- Hammerfedtstof
- Smørelse til spids
- Sidehåndtag
- Sidegreb
- Dybdemåler
- Udblæsningskolbe
- Sikkerhedsbriller
- Bæretaske

### For model HR4501C

#### Kun for lande i Europa

ENG102-1

#### Støj

Det typiske A-vægtede lydtryksniveau bestemt i overensstemmelse med 60745-2-6:

Lydtryksniveau ( $L_{pA}$ ): 94 dB (A)  
Lydkraftniveau ( $L_{WA}$ ): 105 dB (A)  
Usikkerhed (K): 3 dB (A)

#### Bær høreværn

#### Vibration

ENG216-1

Den samlede vibrationsværdi (treaksiel vektorsum) bestemt i overensstemmelse med EN60745-2-6:

Arbejdstilstand: mejslingsfunktion med sidehåndtag  
Vibrationsemission ( $a_{h,CHeq}$ ): 12,5 m/s<sup>2</sup>  
Usikkerhed (K): 1,5 m/s<sup>2</sup>

ENG306-1

Arbejdstilstand: mejslingsfunktion med sidegreb  
Vibrationsemission ( $a_{h,HD}$ ): 12,5 m/s<sup>2</sup>  
Usikkerhed (K): 1,5 m/s<sup>2</sup>

ENG303-1

Arbejdstilstand: slagboring i beton, 25 mm diameter og 180 mm dybde  
Vibrationsemission ( $a_{h,HD}$ ): 16 m/s<sup>2</sup>  
Usikkerhed (K): 1,5 m/s<sup>2</sup>

### For model HR4510C

#### Kun for lande i Europa

ENG102-1

#### Støj

De typiske A-vægtede støjniveauer bestemt i overensstemmelse med 60745-2-6:

Lydtryksniveau ( $L_{pA}$ ): 93 dB (A)  
Lydkraftniveau ( $L_{WA}$ ): 104 dB (A)  
Usikkerhed (K): 3 dB (A)

#### Bær høreværn

#### Vibration

ENG216-1

Den samlede vibrationsværdi (treaksiel vektorsum)

bestemt i overensstemmelse med EN60745-2-6:

Arbejdstilstand: mejslingsfunktion med sidehåndtag  
Vibrationsemission ( $a_{h,CHeq}$ ): 8,5 m/s<sup>2</sup>  
Usikkerhed (K): 1,5 m/s<sup>2</sup>

ENG306-1

Arbejdstilstand: mejslingsfunktion med sidegreb  
Vibrationsemission ( $a_{h,CHeq}$ ): 8,5 m/s<sup>2</sup>  
Usikkerhed (K): 1,5 m/s<sup>2</sup>

ENG303-1

Arbejdstilstand: slagboring i beton, 25 mm diameter og 180 mm dybde  
Vibrationsemission ( $a_{h,HD}$ ): 9,5 m/s<sup>2</sup>  
Usikkerhed (K): 2 m/s<sup>2</sup>

### For model HR4511C

#### Kun for lande i Europa

ENG102-1

#### Støj

De typiske A-vægtede støjniveauer bestemt i overensstemmelse med 60745-2-6:

Lydtryksniveau ( $L_{pA}$ ): 94 dB (A)  
Lydkraftniveau ( $L_{WA}$ ): 105 dB (A)  
Usikkerhed (K): 3 dB (A)

#### Bær høreværn

#### Vibration

ENG216-1

Den samlede vibrationsværdi (treaksiel vektorsum)

bestemt i overensstemmelse med EN60745-2-6:

Arbejdstilstand: mejslingsfunktion med sidehåndtag  
Vibrationsemission ( $a_{h,CHeq}$ ): 7 m/s<sup>2</sup>  
Usikkerhed (K): 1,5 m/s<sup>2</sup>

ENG306-1

Arbejdstilstand: mejslingsfunktion med sidegreb  
Vibrationsemission ( $a_{h,CHeq}$ ): 7,5 m/s<sup>2</sup>  
Usikkerhed (K): 1,5 m/s<sup>2</sup>

ENG303-1

Arbejdstilstand: slagboring i beton, 25 mm diameter og 180 mm dybde  
Vibrationsemission ( $a_{h,HD}$ ): 7,5 m/s<sup>2</sup>  
Usikkerhed (K): 1,5 m/s<sup>2</sup>

**EC-ERKLÆRING VEDRØRENDE OVERHOLDELSE AF  
STANDARDE** ENH101-7

**Model; HR4501C, HR4510C, HR4511C**

Vi erklærer og tager det fulde ansvar for, at produktet overholder følgende standarder i standardiseringsdokumenterne EN60745, EN55014, EN61000 i overensstemmelse med Rådets direktiver 2004/108/EF, 98/37/EF.

**CE 2006**



Tomoyasu Kato  
Direktør

Ansvarlig producent:

**Makita Corporation**

3-11-8, Sumiyoshi-cho, Anjo, Aichi, JAPAN

Autoriseret repræsentant i Europa:

**Makita International Europe Ltd.**

Michigan Drive, Tongwell, Milton Keynes,  
8JD, ENGLAND

**Περιγραφή γενικής όψης**

- |  |  |                     |
|--|--|---------------------|
| 1. Σκανδάλη-διακόπτης                    | 8. Ενδεικτική λυχνίες συντήρησης (κόκκινη) | 15. Κάλυμμα κεφαλής |
| 2. Μοχλός-διακόπτης                      | 9. Πλαϊνή λαβή                             | 16. Μετρητής βάθους |
| 3. Επιλογέας ρύθμισης                    | 10. Παξιμάδι σφικκτήρα                     | 17. Βίδα σύσφιξης   |
| 4. Μοχλός αλλαγής                        | 11. Πλαϊνή λαβή                            | 18. Φουσητήρι       |
| 5. Δείκτης                               | 12. Κολάρο μύτης                           |                     |
| 6. Κουμπί κλειδώματος                    | 13. Γράσο για μύτες                        |                     |
| 7. Ενδεικτική λυχνία ANAMMENΟΥ (πράσινη) | 14. Μύτη                                   |                     |

**ΠΡΟΔΙΑΓΡΑΦΕΣ**

Μοντέλο		HR4501C	HR4510C	HR4511C
Χωρητικότητα	Μύτη με άκρο καρβιδίου	45 mm		
	Πυρηνοληπτική μύτη	125 mm		
Ταχύτητα χωρίς φορτίο (min <sup>-1</sup> )		130 - 280		
Κρούσεις το λεπτό		1.275 – 2.750		
Ολικό μήκος		458 mm		
Καθαρό βάρος		7,8 kg	8,3 kg	8,4 kg
Τάξη ασφάλειας		II/II		

- Λόγω του συνεχόμενου προγράμματος που εφαρμόζουμε για έρευνα και ανάπτυξη, τα τεχνικά χαρακτηριστικά στο παρόν έντυπο υπόκεινται σε αλλαγή χωρίς προειδοποίηση.
- Σημείωση: Τα τεχνικά χαρακτηριστικά μπορεί να διαφέρουν ανάλογα με τη χώρα.

**Σύμβολα**

END201-2

Παρακάτω παρουσιάζονται τα σύμβολα που χρησιμοποιούνται για τον εξοπλισμό. Βεβαιωθείτε ότι κατανοείτε τη σημασία τους πριν από τη χρήση.



..... Διαβάστε το εγχειρίδιο οδηγιών.



..... ΔΙΠΛΗ ΜΟΝΩΣΗ

**Προοριζόμενη χρήση**

ENE044-1

Το εργαλείο προορίζεται για κρουστικό τρυπάνισμα σε τούβλα, τσιμέντο και πέτρα, καθώς και για καλέμισμα.

**Ηλεκτρική παροχή**

ENF002-1

Το εργαλείο πρέπει να συνδέεται μόνο σε ηλεκτρική παροχή της ίδιας τάσης με αυτήν που αναγράφεται στην πινακίδα ονομαστικών τιμών και μπορεί να λειτουργήσει μόνο με εναλλασσόμενο μονοφασικό ρεύμα. Τα εργαλεία αυτά διαθέτουν διπλή μόνωση που συμμορφώνεται με τα ευρωπαϊκά πρότυπα και συνεπώς μπορούν να συνδεθούν με πρίζες χωρίς γείωση.

**ΕΙΔΙΚΟΙ ΚΑΝΟΝΕΣ ΑΣΦΑΛΕΙΑΣ**

GEB007-2

**ΜΗΝ αφήσετε την άνεση ή την εξοικειωσή σας με το προϊόν (που αποκτήθηκε από επανειλημμένη χρήση) να αντικαταστήσει την αυστηρή προήλωση στους κανόνες ασφαλείας του περιστροφικού σφυροδράπανου. Αν χρησιμοποιήσετε αυτό το εργαλείο με ανασφαλές ή λανθασμένο τρόπο, μπορεί να υποστείτε σοβαρό προσωπικό τραυματισμό.**

1. **Να φοράτε ωτοασπίδες.** Η έκθεση σε θόρυβο μπορεί να προκαλέσει απώλεια ακοής.
2. **Να χρησιμοποιείτε τις βοηθητικές λαβές που παρέχονται με το εργαλείο.** Η απώλεια του ελέγχου μπορεί να προκαλέσει προσωπικό τραυματισμό.
3. **Να κρατάτε τα ηλεκτρικά εργαλεία από τις λαβές με μόνωση όταν εκτελείτε μια εργασία κατά την οποία το κοπτικό εργαλείο μπορεί να έρθει σε επαφή με κρυμμένα καλώδια ή με το ίδιο του το καλώδιο.** Αν το εργαλείο έρθει σε επαφή με κάποιο ηλεκτροφόρο καλώδιο, μπορεί τα εκτεθειμένα μεταλλικά μέρη του εργαλείου να γίνουν κι αυτά ηλεκτροφόρα και να προκληθεί ηλεκτροπληξία στο χειριστή.
4. **Να φοράτε κράνος ασφάλειας, γυαλιά ασφάλειας ή/και προσωπίδα.** Τα συνηθισμένα γυαλιά ηλίου ΔΕΝ αποτελούν γυαλιά ασφάλειας. Συνιστάται επίσης ένθερμα να φοράτε προσωπίδα κατά της σκόνης και γάντια με παχιά επένδυση.
5. **Πριν θέσετε το εργαλείο σε λειτουργία, βεβαιωθείτε ότι η μύτη είναι ασφαλισμένη στη θέση της.**
6. **Σε κανονικές συνθήκες λειτουργίας, το εργαλείο είναι σχεδιασμένο να παράγει κραδασμούς. Οι**

βίδες μπορούν εύκολα να ξεβιδωθούν και να προκληθεί καταστροφή του εργαλείου ή ατύχημα. Πριν θέσετε το εργαλείο σε λειτουργία, ελέγξτε αν οι βίδες είναι σφιγμένες.

- Όταν έχει κρύο καιρό ή όταν δεν έχετε χρησιμοποιήσει το εργαλείο για μεγάλη χρονική περίοδο, αφήστε το εργαλείο να λειτουργήσει για λίγη ώρα χωρίς φόρτο. Με αυτό το τρόπο θα κυκλοφορήσει η λιπανση. Αν δεν γίνει σωστό ζέσταμα, θα υπάρχει δυσκολία στη σκαπτική λειτουργία.
- Να βεβαιώνετε πάντοτε ότι στέκεστε σταθερά. Όταν χρησιμοποιείτε το εργαλείο σε υψηλές τοποθεσίες, να βεβαιώνετε ότι δεν βρίσκεται κανένας από κάτω.
- Να κρατάτε το εργαλείο γερά και με τα δύο χέρια.
- Μην πλησιάζετε τα χέρια σας σε κινούμενα μέρη.
- Μην αφήνετε το εργαλείο σε λειτουργία. Το εργαλείο πρέπει να βρίσκεται σε λειτουργία μόνο όταν το κρατάτε.
- Όταν το εργαλείο βρίσκεται σε λειτουργία, μην το στρέψετε προς την κατεύθυνση κανενός ατόμου που βρίσκεται στην περιοχή. Η μύτη μπορεί να εκτοξευτεί και να προκληθεί σοβαρός τραυματισμός σε άλλο άτομο.
- Μην αγγίζετε τη μύτη ή μέρη που βρίσκονται κοντά στη μύτη αμέσως μετά τη λειτουργία του εργαλείου. Μπορεί να είναι εξαιρετικά θερμά και να προκληθεί έγκαυμα στο δέρμα σας.
- Μερικά υλικά περιέχουν χημικά που μπορεί να είναι τοξικά. Προσέχετε ώστε να αποφεύγετε την εισπνοή σκόνης και την επαφή με το δέρμα. Ακολουθείτε τα δεδομένα ασφάλειας υλικού που παρέχονται από τον προμηθευτή.

## ΦΥΛΑΞΤΕ ΑΥΤΕΣ ΤΙΣ ΟΔΗΓΙΕΣ.

### ΠΡΟΕΙΔΟΠΟΙΗΣΗ:

**Η ΛΑΝΘΑΣΜΕΝΗ ΧΡΗΣΗ** ή η αμέλεια να ακολουθήσετε τους κανόνες ασφάλειας που διατυπώνονται στο παρόν εγχειρίδιο οδηγιών μπορεί να προκαλέσει σοβαρό προσωπικό τραυματισμό.

## ΠΕΡΙΓΡΑΦΗ ΛΕΙΤΟΥΡΓΙΑΣ

### ΠΡΟΣΟΧΗ:

- Να βεβαιώνετε πάντοτε ότι το εργαλείο είναι σβηστό και αποσυνδεδεμένο από το ηλεκτρικό ρεύμα πριν ρυθμίσετε ή ελέγχετε κάποια λειτουργία του.

### Δράση διακόπτη (Εικ. 1)

#### ΓΙΑ ΤΟ ΜΟΝΤΕΛΟ HR4511C

### ΠΡΟΣΟΧΗ:



- Πριν συνδέετε το εργαλείο, πάντοτε να ελέγχετε ότι η σκανδάλη-διακόπτης ενεργοποιείται κανονικά και επιστρέφει στη θέση OFF όταν την αφήνετε.

Για να ξεκινήσετε το εργαλείο, απλά πιέστε τη σκανδάλη-διακόπτη. Για να σταματήσετε, αφήστε τη σκανδάλη-διακόπτη.

#### ΓΙΑ ΤΑ ΜΟΝΤΕΛΑ HR4510C/ HR4501C

#### Σκανδάλη διακόπτης


### ΠΡΟΣΟΧΗ:

- Πριν συνδέετε το εργαλείο, πάντοτε να ελέγχετε ότι η σκανδάλη-διακόπτης ενεργοποιείται κανονικά και επιστρέφει στη θέση OFF όταν την αφήνετε.
- Αυτός ο διακόπτης λειτουργεί κατά τη ρύθμιση του εργαλείου σε λειτουργίες συμβόλου  και συμβόλου .

Για να ξεκινήσετε το εργαλείο, απλά πιέστε τη σκανδάλη-διακόπτη. Για να σταματήσετε, αφήστε τη σκανδάλη-διακόπτη.

### Κυλιόμενος διακόπτης

### ΠΡΟΣΟΧΗ:

- Πριν να συνδέσετε το εργαλείο, ελέγχετε πάντα να δείτε αν είναι σβηστό το εργαλείο.
- Αυτός ο διακόπτης λειτουργεί μόνο κατά τη ρύθμιση του εργαλείου σε λειτουργίες δράσης συμβόλου .

Όταν χρησιμοποιείτε το εργαλείο για μεγάλο χρονικό διάστημα στην κρουστική λειτουργία, είναι διαθέσιμος ο κυλιόμενος διακόπτης. Για να ξεκινήσετε τη λειτουργία του εργαλείου, πατήστε την πλευρά "I (ON)" του μοχλοδιακόπτη. Για να σταματήσετε τη λειτουργία του εργαλείου, πατήστε την πλευρά "O (OFF)" του μοχλοδιακόπτη. (Εικ. 2)

### Αλλαγή ταχύτητας (Εικ. 3)

Μπορείτε να ρυθμίσετε τις περιστροφές και τις κρούσεις ανά λεπτό, αν περιστρέψετε απλά τον επιλογέα ρύθμισης. Ο επιλογέας είναι σημειωμένος από 1 (χαμηλότερη ταχύτητα) έως 5 (τελική ταχύτητα).

Για τη σχέση μεταξύ των αριθμημένων ρυθμίσεων στον επιλογέα ρύθμισης και των περιστροφών/κρούσεων ανά λεπτό, ανατρέξτε στον παρακάτω πίνακα.

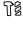
Αρίθμηση στον επιλογέα ρύθμισης	Περιστροφές ανά λεπτό	Κρούσεις το λεπτό
5	280	2.750
4	260	2.550
3	200	1.950
2	150	1.450
1	130	1.250

### ΠΡΟΣΟΧΗ:

- Αν το εργαλείο λειτουργεί συνεχόμενα σε χαμηλές ταχύτητες για μεγάλο χρονικό διάστημα, το μοτέρ θα υπερφορτωθεί και θα προκαλέσει δυσλειτουργία του εργαλείου.
- Ο επιλογέας ρύθμισης ταχύτητας έχει τη δυνατότητα να περιστρέφεται έως το 5 και ξανά στο 1. Μην τον εξαναγκάζετε πέρα από το 5 ή το 1, αλλιώς μπορεί να μη λειτουργεί πλέον η ρύθμιση ταχύτητας.

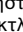
## Επιλογή του τρόπου δράσης

### Περιστροφή με κρούση (Εικ. 4 και 5)


Για τρυπάνισμα σε τσιμεντό, τοιχοποιία, κτλ., πιέστε το κουμπί ασφάλισης και περιστρέψτε το μοχλό αλλαγής ώστε ο δείκτης να δείχνει στο σύμβολο . Χρησιμοποιήστε μύτη με άκρο βολφραμίου-καρβιδίου.

### Κρούση μόνο


#### ΓΙΑ ΤΑ ΜΟΝΤΕΛΑ HR4501C ΚΑΙ HR4510 (Εικ. 6)

Για καλέμισμα, ξύσιμο ή ξήλωμα, πιέστε το κουμπί ασφάλισης και περιστρέψτε το μοχλό αλλαγής ώστε ο δείκτης να δείχνει στο σύμβολο . Χρησιμοποιήστε βελόνι, ψυχρό καλέμι, καλέμι σφυροκοπήματος, κτλ.

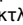
#### Για κρούση μεγάλης χρονικής διάρκειας (ΓΙΑ ΤΑ ΜΟΝΤΕΛΑ HR4501C ΚΑΙ HR4510C ΜΟΝΟ) (Εικ. 7)

Για καλέμισμα, ξύσιμο ή ξήλωμα, πιέστε το κουμπί ασφάλισης και περιστρέψτε το μοχλό αλλαγής ώστε ο δείκτης να δείχνει στο σύμβολο . Χρησιμοποιήστε βελόνι, ψυχρό καλέμι, καλέμι σφυροκοπήματος, κτλ.

### ΠΡΟΣΟΧΗ:

- Κατά τη χρήση του εργαλείου στη λειτουργία συμβόλου , η σκανδάλη-διακόπτης δε λειτουργεί και λειτουργεί μόνο ο κυλιόμενος διακόπτης.

#### ΓΙΑ ΤΟ ΜΟΝΤΕΛΟ HR4511C (Εικ. 8)

Για καλέμισμα, ξύσιμο ή ξήλωμα, πιέστε το κουμπί ασφάλισης και περιστρέψτε το μοχλό αλλαγής ώστε ο δείκτης να δείχνει στο σύμβολο . Χρησιμοποιήστε βελόνι, ψυχρό καλέμι, καλέμι σφυροκοπήματος, κτλ.

### ΠΡΟΣΟΧΗ:

- Μην περιστρέφετε το μοχλό αλλαγής όταν το εργαλείο λειτουργεί με φορτίο. Θα προκληθεί βλάβη στο εργαλείο.
- Για να αποφεύγετε την ταχεία φθορά του μηχανισμού αλλαγής τρόπου λειτουργίας, βεβαιωθείτε ότι ο μοχλός αλλαγής βρίσκεται πάντα σε μία από τις τρεις θέσεις τρόπου δράσης.

## Περιοριστής ροπής

Ο περιοριστής ροπής θα ενεργοποιηθεί όταν επιτευχθεί ένα ορισμένο επίπεδο ροπής. Το μοτέρ θα αποδεσμευτεί από τον άξονα εξόδου. Όταν συμβεί αυτό, η μύτη θα σταματήσει να περιστρέφεται.

### ΠΡΟΣΟΧΗ:

- Μόλις ενεργοποιηθεί ο περιοριστής ροπής, απενεργοποιήστε αμέσως το εργαλείο. Έτσι, θα προληφθεί η πρόωρη φθορά του εργαλείου.

## Ενδεικτική λυχνία (Εικ. 9)

Όταν συνδέετε το εργαλείο, ανάβει η πράσινη ενδεικτική λυχνία ενεργής θέσης (ON). Αν δεν ανάβει η ενδεικτική λυχνία, μπορεί να είναι ελαττωματικό το ηλεκτρικό καλώδιο ή ο ελεγκτής. Η ενδεικτική λυχνία είναι αναμμένη, αλλά το εργαλείο δεν ξεκινάει, ακόμα και αν είναι αναμμένο, μπορεί να έχουν φθαρεί τα καρβουνάκια, ή να είναι ελαττωματικός ο ελεγκτής, το μοτέρ ή ο διακόπτης ON/OFF. Η κόκκινη ενδεικτική λυχνία συντήρησης ανάβει όταν τα καρβουνάκια έχουν φθαρεί σχεδόν τελείως για να δηλώσει πως το εργαλείο χρειάζεται

συντήρηση. Μετά από περίπου 8 ώρες χρήσης, το μοτέρ θα σβήσει αυτόματα.

## ΣΥΝΑΡΜΟΛΟΓΗΣΗ

### ΠΡΟΣΟΧΗ:

- Να βεβαιώνετε πάντοτε ότι το εργαλείο είναι σβηστό και αποσυνδεδεμένο από το ηλεκτρικό ρεύμα πριν εκτελέσετε οποιαδήποτε εργασία σε αυτό.

## Πλαϊνή λαβή (Εικ. 10)

### ΠΡΟΣΟΧΗ:

- Χρησιμοποιείτε την πλαϊνή λαβή μόνο κατά το καλέμισμα, ξύσιμο ή ξήλωμα. Μη τη χρησιμοποιείτε για τρυπάνισμα σε τσιμεντό, τοιχοποιία, κτλ. Δεν μπορεί να κρατηθεί σωστά το εργαλείο από αυτήν την πλαϊνή λαβή κατά το τρυπάνισμα.

Η πλαϊνή λαβή μπορεί να περιστραφεί 360° καθέτως και να ασφαλίσει σε όποια θέση θέλετε. Ασφαρίζει επίσης σε οκτώ διαφορετικές θέσεις πίσω και μπροστά οριζοντίως. Απλά χαλαρώστε το παξιμάδι σφικτήρα για να περιστρέψετε την πλαϊνή λαβή στη θέση που θέλετε. Έπειτα, σφίξτε καλά το παξιμάδι σφικτήρα. (Εικ. 11)

## Πλαϊνή λαβή (Εικ. 12)

### ΠΡΟΣΟΧΗ:

- Να χρησιμοποιείτε πάντα την πλαϊνή λαβή για να εξασφαλίσετε την ασφάλεια κατά το τρυπάνισμα σε τσιμεντό, τοιχοποιία, κτλ.

Η πλευρική λαβή αιωρείται γύρω από κάθε πλευρά ώστε να επιτρέπει τον εύκολο χειρισμό του εργαλείου σε οποιαδήποτε θέση. Χαλαρώστε την πλευρική λαβή στρέφοντάς την αριστερόστροφα, περιστρέψτε τη στην επιθυμητή θέση και κατόπιν σφίξτε τη στρέφοντάς τη δεξιόστροφα.

## Τοποθέτηση ή αφαίρεση της μύτης (Εικ. 13)

Καθαρίστε το κολάρο μύτης και τοποθετήστε γράσο για μύτες πριν τοποθετήσετε τη μύτη.


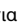
Τοποθετήστε τη μύτη στο εργαλείο. Περιστρέψτε τη μύτη και σπρώξτε την προς τα μέσα έως ότου ασφαλίσει. (Εικ. 14)

Εάν δεν μπορείτε να σπρώξετε τη μύτη προς τα μέσα, αφαιρέστε την. Τραβήξτε το κάλυμμα κεφαλής προς τα κάτω μερικές φορές. Κατόπιν, τοποθετήστε ξανά τη μύτη. Περιστρέψτε τη μύτη και σπρώξτε τη προς τα μέσα έως ότου ασφαλίσει.

Μετά την τοποθέτηση, να προσπαθείτε πάντοτε να τραβήξετε τη μύτη για να βεβαιωθείτε ότι αυτή είναι ασφαλισμένη στη θέση της.

Για να αφαιρέσετε τη μύτη, τραβήξτε προς τα κάτω το κάλυμμα κεφαλής έως το τέρμα και τραβήξτε τη μύτη προς τα έξω. (Εικ. 15)

## Κλίση μύτης (κατά το καλέμισμα, ξύσιμο ή ξήλωμα) (Εικ. 16 και 17)

Μπορείτε να ασφαλίσετε τη μύτη σε 12 διαφορετικές γωνίες. Για να αλλάξετε την κλίση της μύτης, πιέστε το κουμπί ασφάλισης και περιστρέψτε το μοχλό αλλαγής ώστε ο δείκτης να δείχνει στο σύμβολο . Περιστρέψτε τη μύτη στην επιθυμητή κλίση. Πατήστε το κουμπί ασφάλισης και περιστρέψτε το μοχλό αλλαγής ώστε ο δείκτης να δείχνει στο σύμβολο . Κατόπιν, περιστρέψτε λίγο τη μύτη για να βεβαιωθείτε ότι είναι καλά ασφαλισμένη στη θέση της. (Εικ. 18 και 19)

## Μετρητής βάθους (Εικ. 20)

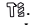
Ο μετρητής βάθους είναι χρήσιμος για το τρυπάνισμα οπών με ομοιόμορφο βάθος. Χαλαρώστε τη βίδα σύσφιξης και ρυθμίστε το ρυθμιστή βάθους στο επιθυμητό βάθος. Μετά τη ρύθμιση, σφίξτε καλά τη βίδα σύσφιξης.

### ΣΗΜΕΙΩΣΗ:

- Ο μετρητής βάθους δεν μπορεί να χρησιμοποιηθεί στη θέση όπου ο μετρητής βάθους χτυπάει επάνω στο περίβλημα γραναζιού/στο περίβλημα του μοτέρ.

## ΛΕΙΤΟΥΡΓΙΑ

### Λειτουργία τρυπανίσματος με κρούση (Εικ. 21)

Ρυθμίστε το μοχλό αλλαγής στο σύμβολο . Τοποθετήστε τη μύτη στη θέση που επιθυμείτε να τρυπανίσετε και κατόπιν τραβήξτε τη σκανδάλη-διακόπτη. Μην ασκείτε δύναμη στο εργαλείο. Θα έχετε καλύτερα αποτελέσματα ή ελαφριά πίεση. Να διατηρείτε το εργαλείο στη θέση του και να αποφεύγετε την ολίσθησή του από την οπή. Μην ασκείτε περισσότερη πίεση σε περίπτωση που η οπή φράξει με θραύσματα ή σωματίδια. Αντ' αυτού, σταματήστε αργά τη λειτουργία του εργαλείου και κατόπιν βγάλτε τη μύτη μερικώς από την οπή. Αν επαναλάβετε τη διαδικασία αυτή μερικές φορές, η οπή θα καθαρίσει και θα μπορείτε να συνεχίσετε κανονικά το τρυπάνισμα.


### ΠΡΟΣΟΧΗ:

- Όταν η μύτη αρχίσει να σπάει το τσιμέντο ή η μύτη χτυπήσει ενισχυμένες ράβδους που βρίσκονται μέσα στο τσιμέντο, το εργαλείο μπορεί να αντιδράσει με επικίνδυνο τρόπο. Διατηρήστε καλή ισορροπία και ασφαλή στήριξη όσο κρατάτε καλά το εργαλείο και με τα δύο χέρια για να αποτρέψετε επικίνδυνες αντιδράσεις.

### Φυσητήρι (προαιρετικό αξεσουάρ) (Εικ. 22)

Μετά από το τρυπάνισμα της οπής, χρησιμοποιήστε το φυσητήρι για να καθαρίσετε τη σκόνη από την οπή.

## Καλέμισμα/Ξύσιμο/Ξήλωμα (Εικ. 23)

Ρυθμίστε το μοχλό αλλαγής στο σύμβολο . Να κρατάτε το εργαλείο γερά και με τα δύο χέρια. Θέστε το εργαλείο σε λειτουργία και ασκήστε ελαφριά πίεση σε αυτό για να μην αναπηδά ανεξέλεγκτα. Δεν θα αυξηθεί η αποδοτικότητα του εργαλείου αν το πιέζετε πιο δυνατά.

## ΣΥΝΤΗΡΗΣΗ

### ΠΡΟΣΟΧΗ:

- Να βεβαιώνετε πάντοτε ότι το εργαλείο είναι σβηστό και αποσυνδεδεμένο από το ηλεκτρικό ρεύμα πριν εκτελέσετε οποιαδήποτε εργασία ελέγχου ή συντήρησης σε αυτό.
- Αυτές οι εργασίες συντήρησης θα πρέπει να εκτελούνται μόνο σε Εξουσιοδοτημένο Κέντρο Εξυπηρέτησης της Makita.

Το εργαλείο αυτό δεν απαιτεί ωριαία ή καθημερινή λίπανση επειδή διαθέτει σύστημα λίπανσης με γράσο. Μετά θα πρέπει τακτικά να λιπαίνεται ξανά. Για αυτήν την εργασία συντήρησης που αφορά τη λίπανση, αποστείλετε ολόκληρο το εργαλείο σε Εξουσιοδοτημένο Κέντρο Εξυπηρέτησης της Makita. Για να διατηρείται η ΑΣΦΑΛΕΙΑ και η ΑΞΙΟΠΙΣΤΙΑ του προϊόντος, οι εργασίες επισκευής, καθώς και οποιαδήποτε άλλη εργασία συντήρησης ή ρύθμισης, θα πρέπει να εκτελούνται σε εξουσιοδοτημένα κέντρα εξυπηρέτησης της Makita, και πάντοτε με τη χρήση ανταλλακτικών της Makita.

## ΑΞΕΣΟΥΑΡ

### ΠΡΟΣΟΧΗ:

- Συνιστάται η χρήση των παρακάτω αξεσουάρ και εξαρτημάτων με το εργαλείο της Makita μόνο όπως καθορίζεται στο παρόν εγχειρίδιο. Αν χρησιμοποιήσετε άλλα αξεσουάρ ή εξαρτήματα μπορεί να παρουσιαστεί κίνδυνος για πρόκληση ατομικού τραυματισμού. Να χρησιμοποιείτε τα αξεσουάρ και τα εξαρτήματα μόνο για το σκοπό για τον οποίο προορίζονται.

Αν χρειάζεστε κάποια βοήθεια ή περισσότερες πληροφορίες σχετικά με τα αξεσουάρ αυτά, απευθυνθείτε στο πλησιέστερο κέντρο εξυπηρέτησης της Makita.

- Μύτες με άκρο SDS-Max καρβιδίου
- Βελόνι SDS-Max
- Ψυχρό καλέμι SDS-Max
- Καλέμι σφυροκοπήματος SDS-Max
- Καλέμι για πλακάκια SDS-Max
- Τσάπα SDS-Max
- Γράσο για σκαπτικά
- Γράσο για μύτες
- Πλαϊνή λαβή
- Πλαϊνή λαβή
- Μετρητής βάθους
- Φυσητήρι
- Γυαλιά προστασίας
- Θήκη μεταφοράς

**Για το Μοντέλο HR4501C****Για ευρωπαϊκές χώρες μόνο**

ENG102-1

**Θόρυβος**

Το σύνθηδες σταθμισμένο επίπεδο θορύβου που έχει καθοριστεί σύμφωνα με την 60745-2-6:

Επίπεδο ηχητικής πίεσης ( $L_{pA}$ ): 94 dB(A)

Επίπεδο ηχητικής ισχύος ( $L_{WA}$ ): 105 dB(A)

Αβεβαιότητα (K): 3 dB(A)

**Να φοράτε ωτοασπίδες****Δόνηση**

ENG216-1

Η συνολική τιμή δόνησης (διανυσματικών άθροισμα τριών αξόνων) που έχει καθοριστεί σύμφωνα με την EN60745-2-6:

Κατάσταση λειτουργίας: λειτουργία σμιλεύματος με πλαινή λαβή

Εκπομπή δόνησης ( $a_{h,CHeg}$ ): 12,5 m/s<sup>2</sup>

Αβεβαιότητα (K): 1,5 m/s<sup>2</sup>

ENG306-1

Κατάσταση λειτουργίας: λειτουργία σμιλεύματος με πλαινή λαβή

Εκπομπή δόνησης ( $a_{h,HD}$ ): 12,5 m/s<sup>2</sup>

Αβεβαιότητα (K): 1,5 m/s<sup>2</sup>

ENG303-1

Κατάσταση λειτουργίας: τρυπάνισμα με κρούση σε τριμέντο, με διάμετρο 25 χλστ και βάθος 180 χλστ

Εκπομπή δόνησης ( $a_{h,HD}$ ): 16 m/s<sup>2</sup>

Αβεβαιότητα (K): 1,5 m/s<sup>2</sup>

**Για το Μοντέλο HR4510C****Για ευρωπαϊκές χώρες μόνο**

ENG102-1

**Θόρυβος**

Το σύνθηδες σταθμισμένο επίπεδο ηχητικής πίεσης που έχει καθοριστεί σύμφωνα με 60745-2-6:

Επίπεδο ηχητικής πίεσης ( $L_{pA}$ ): 93 dB(A)

Επίπεδο ηχητικής ισχύος ( $L_{WA}$ ): 104 dB(A)

Αβεβαιότητα (K): 3 dB(A)

**Να φοράτε ωτοασπίδες****Δόνηση**

ENG216-1

Η συνολική τιμή δόνησης (διανυσματικών άθροισμα τριών αξόνων) που έχει καθοριστεί σύμφωνα με την EN60745-2-6:

Κατάσταση λειτουργίας: λειτουργία σμιλεύματος με πλαινή λαβή

Εκπομπή δόνησης ( $a_{h,CHeg}$ ): 8,5 m/s<sup>2</sup>

Αβεβαιότητα (K): 1,5 m/s<sup>2</sup>

ENG306-1

Κατάσταση λειτουργίας: λειτουργία σμιλεύματος με πλαινή λαβή Εκπομπή δόνησης ( $a_{h,CHeg}$ ):

8,5 m/s<sup>2</sup>

Αβεβαιότητα (K): 1,5 m/s<sup>2</sup>

ENG303-1

Κατάσταση λειτουργίας: τρυπάνισμα με κρούση σε τιμέντο, με διάμετρο 25 χλστ και βάθος 180 χλστ

Εκπομπή δόνησης ( $a_{h,HD}$ ): 9,5 m/s<sup>2</sup>

Αβεβαιότητα (K): 2 m/s<sup>2</sup>

**Για το Μοντέλο HR4511C****Για ευρωπαϊκές χώρες μόνο**

ENG102-1

**Θόρυβος**

Το σύνθηδες σταθμισμένο επίπεδο ηχητικής πίεσης που έχει καθοριστεί σύμφωνα με 60745-2-6:

Επίπεδο ηχητικής πίεσης ( $L_{pA}$ ): 94 dB(A)

Επίπεδο ηχητικής ισχύος ( $L_{WA}$ ): 105 dB(A)

Αβεβαιότητα (K): 3 dB(A)

**Να φοράτε ωτοασπίδες****Δόνηση**

ENG216-1

Η συνολική τιμή δόνησης (διανυσματικών άθροισμα τριών αξόνων) που έχει καθοριστεί σύμφωνα με την EN60745-2-6:

Κατάσταση λειτουργίας: λειτουργία σμιλεύματος με πλαινή λαβή

Εκπομπή δόνησης ( $a_{h,CHeg}$ ): 7 m/s<sup>2</sup>

Αβεβαιότητα (K): 1,5 m/s<sup>2</sup>

ENG306-1

Κατάσταση λειτουργίας: λειτουργία σμιλεύματος με πλαινή λαβή Εκπομπή δόνησης ( $a_{h,CHeg}$ ):

7,5 m/s<sup>2</sup>

Αβεβαιότητα (K): 1,5 m/s<sup>2</sup>

ENG303-1

Κατάσταση λειτουργίας: τρυπάνισμα με κρούση σε τριμέντο, με διάμετρο 25 χλστ και βάθος 180 χλστ

Εκπομπή δόνησης ( $a_{h,HD}$ ): 7,5 m/s<sup>2</sup>

Αβεβαιότητα (K): 1,5 m/s<sup>2</sup>

**EC – ΔΗΛΩΣΗ ΣΥΜΜΟΡΦΩΣΗΣ**

ENH101-7

**Μοντέλο; HR4501C, HR4510C, HR4511C**

Δηλώνουμε με αποκλειστική ευθύνη μας ότι το προϊόν αυτό συμμορφώνεται με τα ακόλουθα πρότυπα των τυποποιημένων εντύπων:

EN60745, EN55014, EN61000 σε συμφωνία με τις Οδηγίες της Επιτροπής, 2004/108/ΕΚ, 98/37/ΕΚ.

**CE 2006**


Tomoyasu Kato  
Διευθυντής

Υπεύθυνος Κατασκευαστής:

**Makita Corporation**

3-11-8, Sumiyoshi-cho, Anjo, Aichi, JAPAN

Εξουσιοδοτημένος Αντιπρόσωπος στην Ευρώπη:

**Makita International Europe Ltd.**

Michigan Drive, Tongwell, Milton Keynes, Bucks MK15 8JD, ENGLAND









Makita Corporation  
Anjo, Aichi, Japan

884742-999