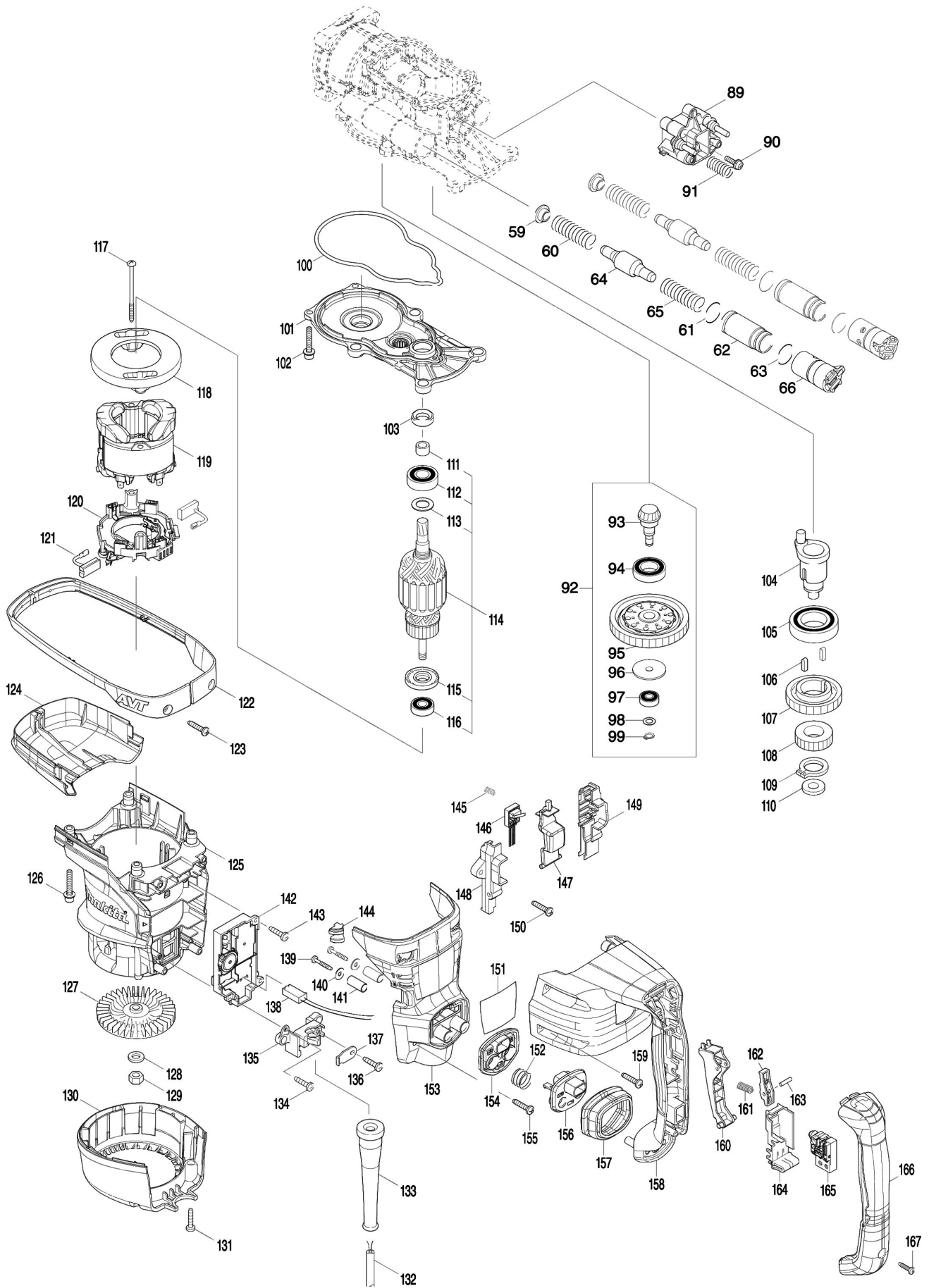


Nr.	Part nr.	Name
001	142411-4	HOUSING COVER A COMPLETE
002	286292-7	BEITELHOUDERKAP HR4013C
003	233948-3	RING SPRING 25 HR5211C
004	257367-9	RING 28
005	262172-1	RUBBER RING 29
006	454767-6	CHUCK COVER
007	324752-2	CHUCK RING HR5211C
008	454768-4	RELEASE COVER
009	310178-4	TOOL RETAINER HR5211C
010	346751-4	SPRING GUIDE
011	234317-1	COMPRESSION SPRING 49
012	346751-4	SPRING GUIDE
014	922456-6	HSH BOLT M8X35 2107FK
015	142408-3	BARREL COMPLETE
016	454769-2	LOCK SLEEVE
017	259057-0	RING SPRING 74
018	213766-5	O RING 78 HR5211C
019	213789-3	O-RING 38
021	326361-3	TOOL HOLDER A
022	268308-0	PIN 9
023	231989-3	RING SPRING 46
024	257353-0	RING 49
025	213779-6	O-RING 45
026	267477-4	FLAT WASHER 60
027	262171-3	RUBBER RING 60
028	267477-4	FLAT WASHER 60
029	326362-1	TOOL HOLDER B
030	213783-5	O-RING 48
031	454761-8	SLIDE SLEEVE
032	234318-9	COMPRESSION SPRING 45
033	213811-6	O-RING 26.5
034	213780-1	FLUORIDE RING 32.5
035	213776-2	X-RING 26
036	326374-4	IMPACT BOLT
037	257354-8	RING 23
038	262173-9	RUBBER RING 24
039	267856-6	SHOULDER WASHER 23
040	257994-2	RETAINING RING(EXT)WR-44
041	257355-6	RING 44
042	267478-2	FLAT WASHER 44
043	234319-7	COMPRESSION SPRING 46
044	267478-2	FLAT WASHER 44
045	326377-8	STRIKER
046	213781-9	O-RING 33
047	332093-2	CYLINDER 40
048	213460-9	O RING 35 LF1000

<b>Nr.</b>	<b>Part nr.</b>	<b>Name</b>
049	213782-7	O-RING 30
050	257820-5	SLEEVE 9
051	319097-1	PISTON
052	213460-9	O RING 35 LF1000
053	454765-0	CONNECTING ROD
054	256548-2	PLATPIN 6MM HR4013C
055	346749-1	LINK PLATE
056	313272-1	DRIVING SLEEVE
057	454779-9	GUIDE RING
058	227625-7	SPIRAL BEVEL GEAR 33
059	454774-9	SPRING PLATE
060	233497-0	COMPRESSION SPRING 15 HR5211C
061	213953-6	O RING 24 BHR162
062	332092-4	PIPE 21.5
063	213953-6	O RING 24 BHR162
064	326375-2	COUNTER WEIGHT
065	233497-0	COMPRESSION SPRING 15 HR5211C
066	454773-1	HOLDER 15
067	265995-6	TAPPING SCREW 4X18 JR3050-60T
068	454326-6	VERSTELKNOP HR4013C
069	319082-4	CRANK CAP COVER
070	454770-7	CONTROL PLATE
071	454771-5	SLIDE PLATE
072	234284-0	DRUKVEER 4MM HR4013C
073	454345-2	KRUKASGELEIDER HR4013C
074	213262-3	O RING 18 HR4011C/3210FCT
075	424607-2	FILTER CAP
076	443129-3	FILTER HR2800
077	911128-8	SCREW M4X16 2012NB-2704-KP0800
078	454764-2	CRANK CAP
079	424608-0	SEAL RING B
080	232280-2	BLADVEER HR4013C
081	454766-8	LINK LEVER
082	911511-9	PAN HEAD SCREW M4X10 HR4011C
083	454778-1	LINK GUIDE
084	233611-8	TORSION SPRING 7
085	911128-8	SCREW M4X16 2012NB-2704-KP0800
086	346748-3	GUIDE RAIL
087	142406-7	CRANK HOUSING A COMPLETE
088	922359-4	H.S.H.BOLT M6X35 WITH WG
089	454777-3	BASE A
090	911233-1	SCREW M5X20 TW1000-2012NB-2704
091	234320-2	COMPRESSION SPRING 12
092	126476-4	TORQUE LIMITER ASSEMBLY
093	227628-1	SPIRAL BEVEL GEAR 10
094	211323-3	BALL BEARING 6904LLU HR4011C

Nr.	Part nr.	Name
095	142410-6	TORQUE LIMITER COMPLETE
096	324727-1	KRAAGREVET 8MM
097	210005-4	BALL BEARING 608DDW GA9010C
098	253215-0	FLAT WASHER 8 2012NB
099	961004-6	RETAINING RING S-8 BJV140/180
100	424609-8	SEAL RING A
101	142409-1	GEAR HOUSING COMPLETE
102	922359-4	H.S.H.BOLT M6X35 WITH WG
103	213231-4	OIL SEAL 15 HR5211C
104	326376-0	CRANK SHAFT
105	211418-2	BALL BEARING 6006LLU HR4500C
106	254229-2	KEY 5 HR5211C
107	227788-9	HELICAL GEAR 46
108	227336-4	SPUR GEAR 26
109	961102-6	RETAINING RING S-22 HR5211C
110	253843-1	WASHER 12 LC1230
111	331596-3	SLEEVE 12 HR5211C
112	211238-4	BALL BEARING 6202LLU HR5211C
113	267215-4	FLAT WASHER 15 SA7000
114	517898-3	ARMATURE ASS'Y 220-240V
115	681642-5	INSULATION WASHER LF1000
116	210059-1	KOGELLAGER HR4000C SPECIAAL
117	266568-8	TAPPING SCREW 5X80
118	454772-3	BAFFLE PLATE
119	636303-2	FIELD 220-240V HR5211C
120	632B59-7	BRUSH HOLDER UNIT
121	195844-2	KOOLBORSTEL SET CB-175 A
122	454780-4	GUARD 52
123	266041-8	TAPPING SCREW PT5X25 HR2811FT
124	454763-4	GEAR HOUSING COVER
125	454757-9	MOTOR HOUSING
126	922359-4	H.S.H.BOLT M6X35 WITH WG
127	240016-5	FAN 90 HR4511C
128	253165-9	FLAT WASHER 8 LF1000-HM1810
129	252178-7	HEX NUT M8-12 4112HS
130	454762-6	REAR COVER
131	266041-8	TAPPING SCREW PT5X25 HR2811FT
132	695123-3	NETSNOER 2X1.50 4.0MTR A
133	682560-0	CORD GUARD 10 4112S-HM1203C
134	265995-6	TAPPING SCREW 4X18 JR3050-60T
135	419024-9	CORD CLAMP BASE HR4011C
136	265995-6	TAPPING SCREW 4X18 JR3050-60T
137	687169-3	STRAIN RELIEF HP1620-GA9020(S)
138	632C15-3	LEAD UNIT
139	266041-8	TAPPING SCREW PT5X25 HR2811FT
140	253194-2	FLAT WASHER 5 2012NB

<b>Nr.</b>	<b>Part nr.</b>	<b>Name</b>
141	257813-2	BUS 9 HR4013C
142	620249-2	CONTROLLER
143	265995-6	TAPPING SCREW 4X18 JR3050-60T
144	454346-0	LENS HR4013C
145	234281-6	DRUKVEER 6MM HR4013C
146	632A83-4	SCHAKELAAR HR4013C
147	454336-3	SCHAKELKNOP C HR4013C
148	187890-9	SWITCH CASE SET
149	187890-9	SWITCH CASE SET
150	266041-8	TAPPING SCREW PT5X25 HR2811FT
151	815W21-5	HR5212C NAME PLATE
152	234283-2	DRUKVEER 18,5MM HR4013C
153	454758-7	HANDLE BASE
154	454343-6	STOFAFZ. AANSL. A HR4013C
155	266041-8	TAPPING SCREW PT5X25 HR2811FT
156	454344-4	STOFAFZ. AANSL. B HR4013C
157	424557-1	STOFKAP HR4013C
158	454759-5	HANDLE A
159	266041-8	TAPPING SCREW PT5X25 HR2811FT
160	454332-1	SCHAKELKNOP A HR4013C
161	234285-8	DRUKVEER 7MM HR4013C
162	454327-4	SCHAKELAARHANDEL HR4013C
163	268309-8	PEN HR4013C
164	154626-1	SWITCH HOLDER CPL HR3210FCT
165	650678-5	SCHAKELAAR HR4013C
166	454760-0	HANDLE COVER
167	265995-6	TAPPING SCREW 4X18 JR3050-60T
168	257994-2	RETAINING RING(EXT)WR-44
013-1	213664-3	O RING 60



Nr.	Part nr.	Name
001	142411-4	HOUSING COVER A COMPLETE
002	286292-7	BEITELHOUDERKAP HR4013C
003	233948-3	RING SPRING 25 HR5211C
004	257367-9	RING 28
005	262172-1	RUBBER RING 29
006	454767-6	CHUCK COVER
007	324752-2	CHUCK RING HR5211C
008	454768-4	RELEASE COVER
009	310178-4	TOOL RETAINER HR5211C
010	346751-4	SPRING GUIDE
011	234317-1	COMPRESSION SPRING 49
012	346751-4	SPRING GUIDE
014	922456-6	HSH BOLT M8X35 2107FK
015	142408-3	BARREL COMPLETE
016	454769-2	LOCK SLEEVE
017	259057-0	RING SPRING 74
018	213766-5	O RING 78 HR5211C
019	213789-3	O-RING 38
021	326361-3	TOOL HOLDER A
022	268308-0	PIN 9
023	231989-3	RING SPRING 46
024	257353-0	RING 49
025	213779-6	O-RING 45
026	267477-4	FLAT WASHER 60
027	262171-3	RUBBER RING 60
028	267477-4	FLAT WASHER 60
029	326362-1	TOOL HOLDER B
030	213783-5	O-RING 48
031	454761-8	SLIDE SLEEVE
032	234318-9	COMPRESSION SPRING 45
033	213811-6	O-RING 26.5
034	213780-1	FLUORIDE RING 32.5
035	213776-2	X-RING 26
036	326374-4	IMPACT BOLT
037	257354-8	RING 23
038	262173-9	RUBBER RING 24
039	267856-6	SHOULDER WASHER 23
040	257994-2	RETAINING RING(EXT)WR-44
041	257355-6	RING 44
042	267478-2	FLAT WASHER 44
043	234319-7	COMPRESSION SPRING 46
044	267478-2	FLAT WASHER 44
045	326377-8	STRIKER
046	213781-9	O-RING 33
047	332093-2	CYLINDER 40
048	213460-9	O RING 35 LF1000



Nr.	Part nr.	Name
049	213782-7	O-RING 30
050	257820-5	SLEEVE 9
051	319097-1	PISTON
052	213460-9	O RING 35 LF1000
053	454765-0	CONNECTING ROD
054	256548-2	PLATPIN 6MM HR4013C
055	346749-1	LINK PLATE
056	313272-1	DRIVING SLEEVE
057	454779-9	GUIDE RING
058	227625-7	SPIRAL BEVEL GEAR 33
059	454774-9	SPRING PLATE
060	233497-0	COMPRESSION SPRING 15 HR5211C
061	213953-6	O RING 24 BHR162
062	332092-4	PIPE 21.5
063	213953-6	O RING 24 BHR162
064	326375-2	COUNTER WEIGHT
065	233497-0	COMPRESSION SPRING 15 HR5211C
066	454773-1	HOLDER 15
067	265995-6	TAPPING SCREW 4X18 JR3050-60T
068	454326-6	VERSTELKNOP HR4013C
069	319082-4	CRANK CAP COVER
070	454770-7	CONTROL PLATE
071	454771-5	SLIDE PLATE
072	234284-0	DRUKVEER 4MM HR4013C
073	454345-2	KRUKASGELEIDER HR4013C
074	213262-3	O RING 18 HR4011C/3210FCT
075	424607-2	FILTER CAP
076	443129-3	FILTER HR2800
077	911128-8	SCREW M4X16 2012NB-2704-KP0800
078	454764-2	CRANK CAP
079	424608-0	SEAL RING B
080	232280-2	BLADVEER HR4013C
081	454766-8	LINK LEVER
082	911511-9	PAN HEAD SCREW M4X10 HR4011C
083	454778-1	LINK GUIDE
084	233611-8	TORSION SPRING 7
085	911128-8	SCREW M4X16 2012NB-2704-KP0800
086	346748-3	GUIDE RAIL
087	142406-7	CRANK HOUSING A COMPLETE
088	922359-4	H.S.H.BOLT M6X35 WITH WG
089	454777-3	BASE A
090	911233-1	SCREW M5X20 TW1000-2012NB-2704
091	234320-2	COMPRESSION SPRING 12
092	126476-4	TORQUE LIMITER ASSEMBLY
093	227628-1	SPIRAL BEVEL GEAR 10
094	211323-3	BALL BEARING 6904LLU HR4011C



Nr.	Part nr.	Name
095	142410-6	TORQUE LIMITER COMPLETE
096	324727-1	KRAAGREVET 8MM
097	210005-4	BALL BEARING 608DDW GA9010C
098	253215-0	FLAT WASHER 8 2012NB
099	961004-6	RETAINING RING S-8 BJV140/180
100	424609-8	SEAL RING A
101	142409-1	GEAR HOUSING COMPLETE
102	922359-4	H.S.H.BOLT M6X35 WITH WG
103	213231-4	OIL SEAL 15 HR5211C
104	326376-0	CRANK SHAFT
105	211418-2	BALL BEARING 6006LLU HR4500C
106	254229-2	KEY 5 HR5211C
107	227788-9	HELICAL GEAR 46
108	227336-4	SPUR GEAR 26
109	961102-6	RETAINING RING S-22 HR5211C
110	253843-1	WASHER 12 LC1230
111	331596-3	SLEEVE 12 HR5211C
112	211238-4	BALL BEARING 6202LLU HR5211C
113	267215-4	FLAT WASHER 15 SA7000
114	517898-3	ARMATURE ASS'Y 220-240V
115	681642-5	INSULATION WASHER LF1000
116	210059-1	KOGELLAGER HR4000C SPECIAAL
117	266568-8	TAPPING SCREW 5X80
118	454772-3	BAFFLE PLATE
119	636303-2	FIELD 220-240V HR5211C
120	632B59-7	BRUSH HOLDER UNIT
121	195844-2	KOOLBORSTEL SET CB-175 A
122	454780-4	GUARD 52
123	266041-8	TAPPING SCREW PT5X25 HR2811FT
124	454763-4	GEAR HOUSING COVER
125	454757-9	MOTOR HOUSING
126	922359-4	H.S.H.BOLT M6X35 WITH WG
127	240016-5	FAN 90 HR4511C
128	253165-9	FLAT WASHER 8 LF1000-HM1810
129	252178-7	HEX NUT M8-12 4112HS
130	454762-6	REAR COVER
131	266041-8	TAPPING SCREW PT5X25 HR2811FT
132	695123-3	NETSNOER 2X1.50 4.0MTR A
133	682560-0	CORD GUARD 10 4112S-HM1203C
134	265995-6	TAPPING SCREW 4X18 JR3050-60T
135	419024-9	CORD CLAMP BASE HR4011C
136	265995-6	TAPPING SCREW 4X18 JR3050-60T
137	687169-3	STRAIN RELIEF HP1620-GA9020(S)
138	632C15-3	LEAD UNIT
139	266041-8	TAPPING SCREW PT5X25 HR2811FT
140	253194-2	FLAT WASHER 5 2012NB

Nr.	Part nr.	Name
141	257813-2	BUS 9 HR4013C
142	620249-2	CONTROLLER
143	265995-6	TAPPING SCREW 4X18 JR3050-60T
144	454346-0	LENS HR4013C
145	234281-6	DRUKVEER 6MM HR4013C
146	632A83-4	SCHAKELAAR HR4013C
147	454336-3	SCHAKELKNOP C HR4013C
148	187890-9	SWITCH CASE SET
149	187890-9	SWITCH CASE SET
150	266041-8	TAPPING SCREW PT5X25 HR2811FT
151	815W21-5	HR5212C NAME PLATE
152	234283-2	DRUKVEER 18,5MM HR4013C
153	454758-7	HANDLE BASE
154	454343-6	STOFAFZ. AANSL. A HR4013C
155	266041-8	TAPPING SCREW PT5X25 HR2811FT
156	454344-4	STOFAFZ. AANSL. B HR4013C
157	424557-1	STOFKAP HR4013C
158	454759-5	HANDLE A
159	266041-8	TAPPING SCREW PT5X25 HR2811FT
160	454332-1	SCHAKELKNOP A HR4013C
161	234285-8	DRUKVEER 7MM HR4013C
162	454327-4	SCHAKELAARHANDEL HR4013C
163	268309-8	PEN HR4013C
164	154626-1	SWITCH HOLDER CPL HR3210FCT
165	650678-5	SCHAKELAAR HR4013C
166	454760-0	HANDLE COVER
167	265995-6	TAPPING SCREW 4X18 JR3050-60T
168	257994-2	RETAINING RING(EXT)WR-44
013-1	213664-3	O RING 60