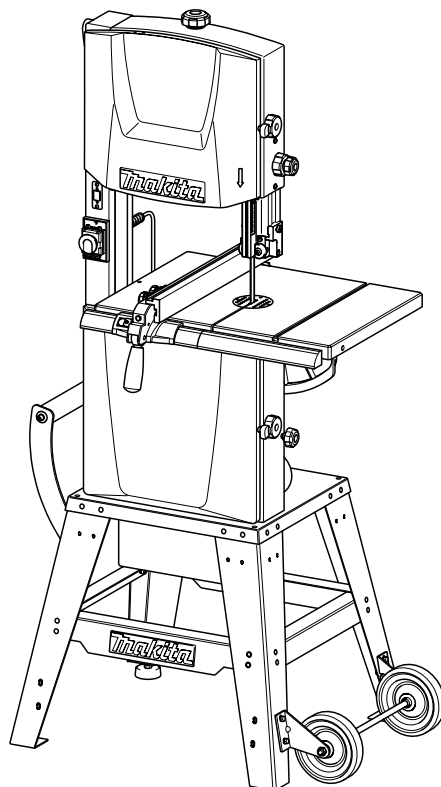
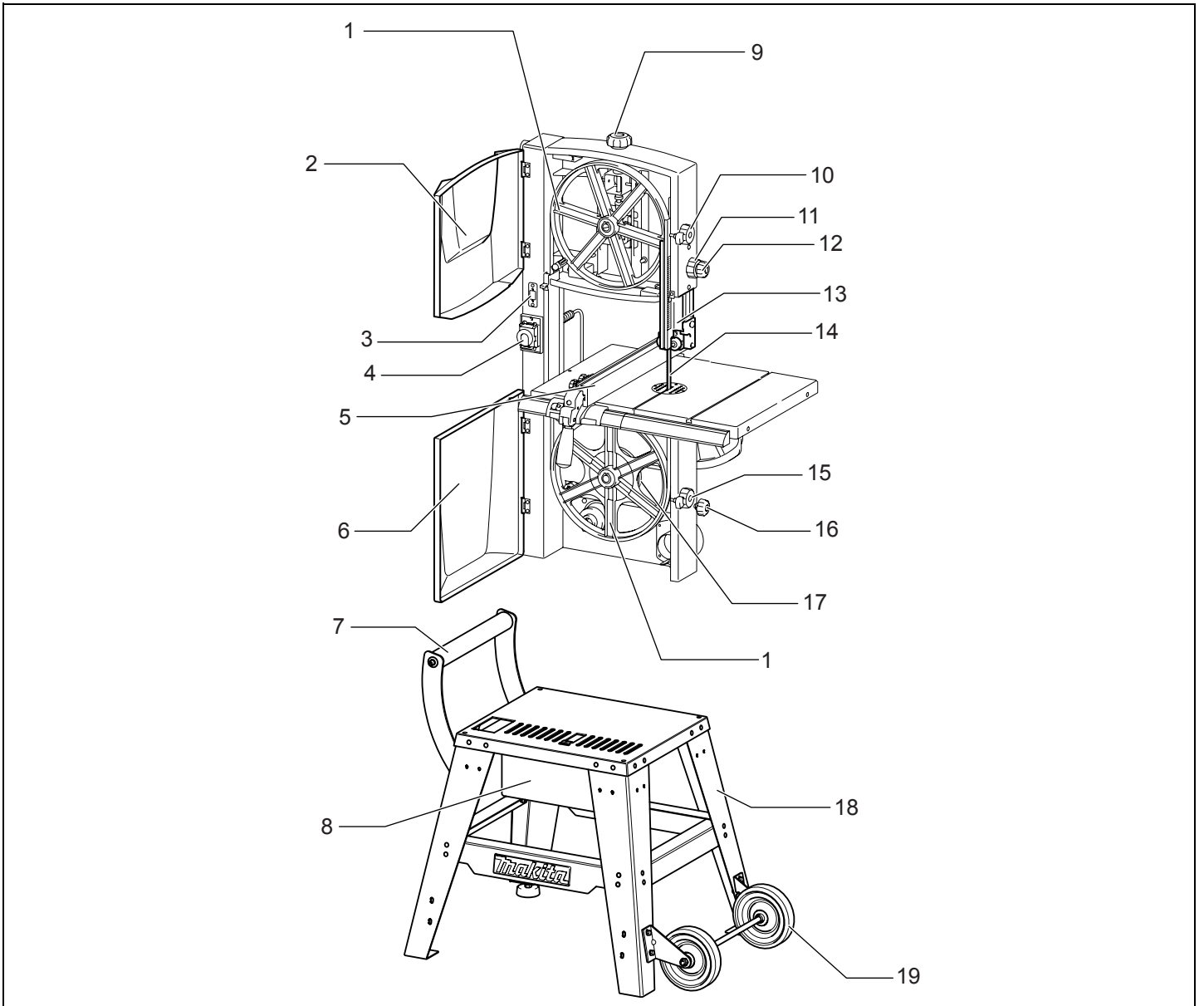




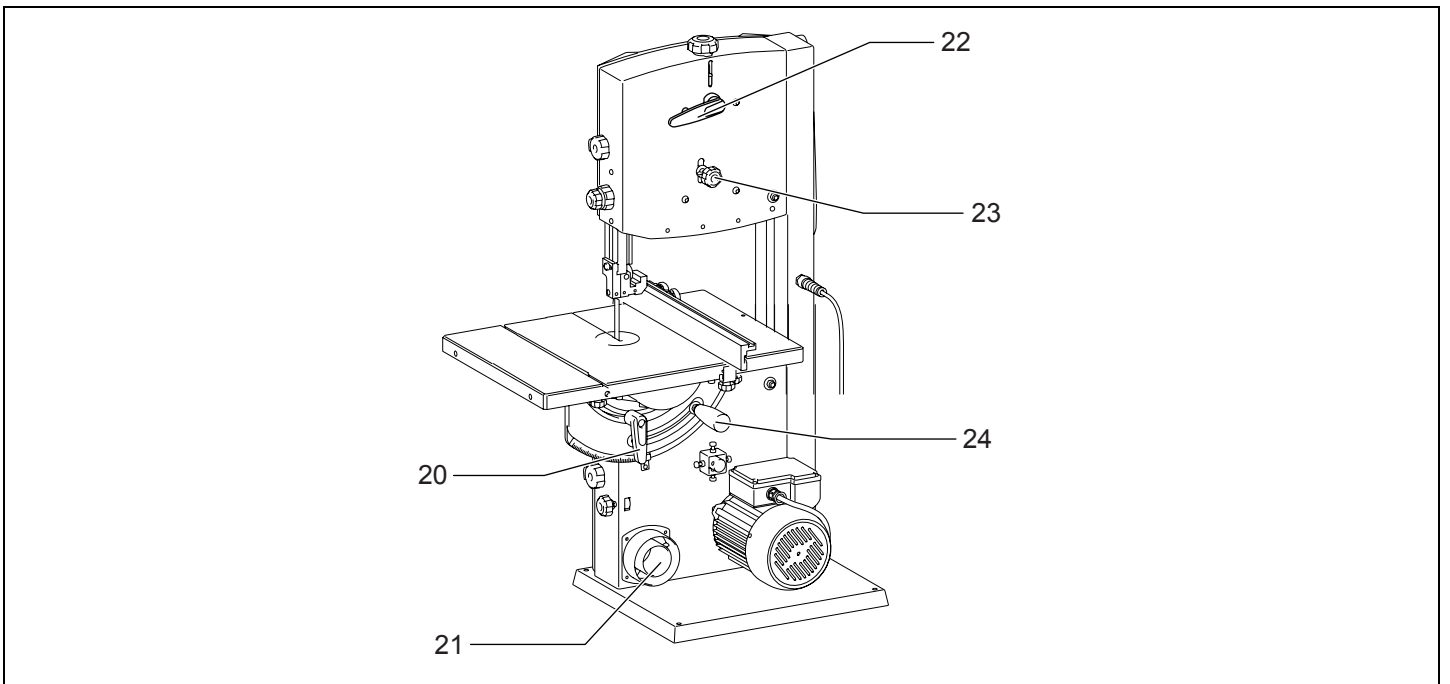
<b>GB</b>	<b>Band Saw</b>	<b>Instruction manual</b>
<b>F</b>	<b>Scie à ruban</b>	<b>Manuel d'instructions</b>
<b>D</b>	<b>Bandsäge</b>	<b>Betriebsanleitung</b>
<b>I</b>	<b>Sega a nastro</b>	<b>Istruzioni per l'uso</b>
<b>NL</b>	<b>Bandzaag</b>	<b>Gebruiksaanwijzing</b>
<b>E</b>	<b>Sierra de banda</b>	<b>Manual de instrucciones</b>
<b>P</b>	<b>Serra de fita</b>	<b>Manual de instruções</b>
<b>DK</b>	<b>Båndsav</b>	<b>Brugsanvisning</b>
<b>GR</b>	<b>Πριονοκορδέλα</b>	<b>Οδηγίες χρήσης</b>

## LB1200F

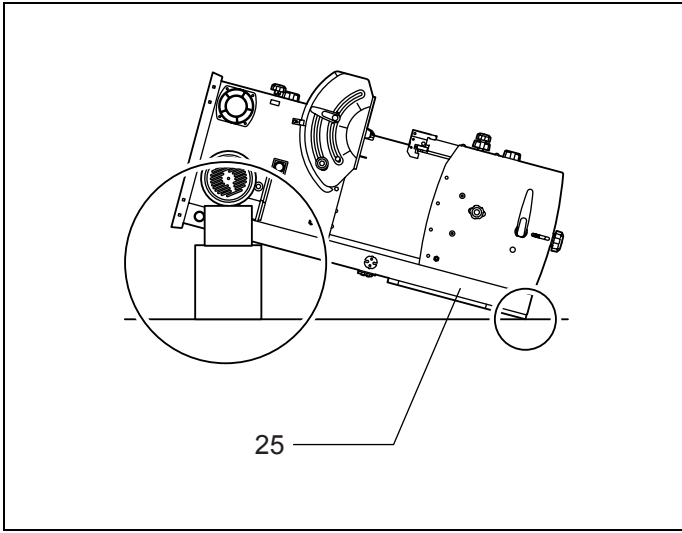




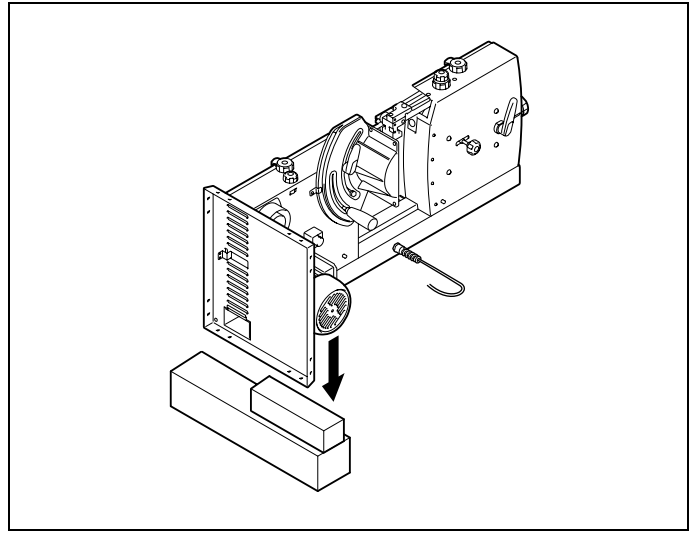
**1**



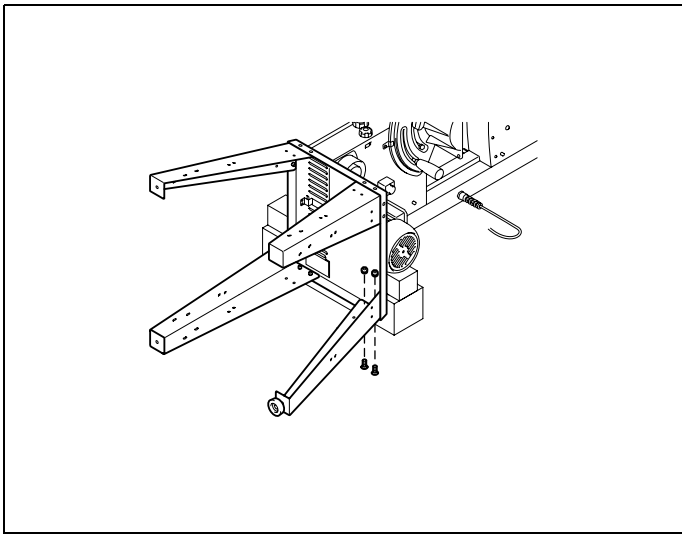
**2**



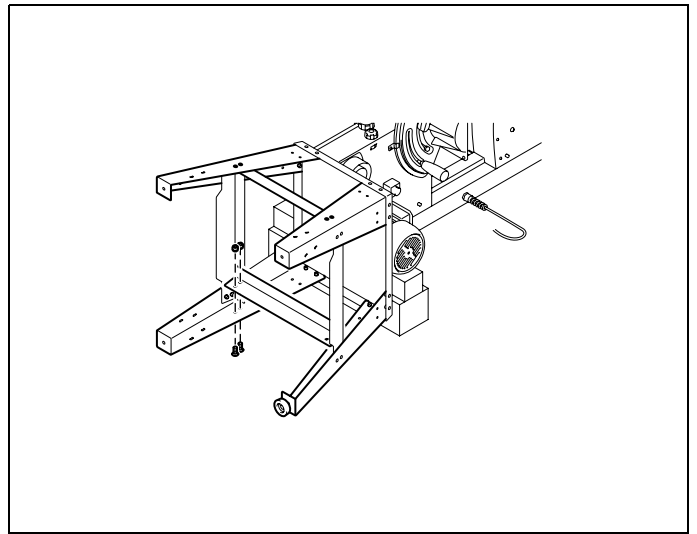
3



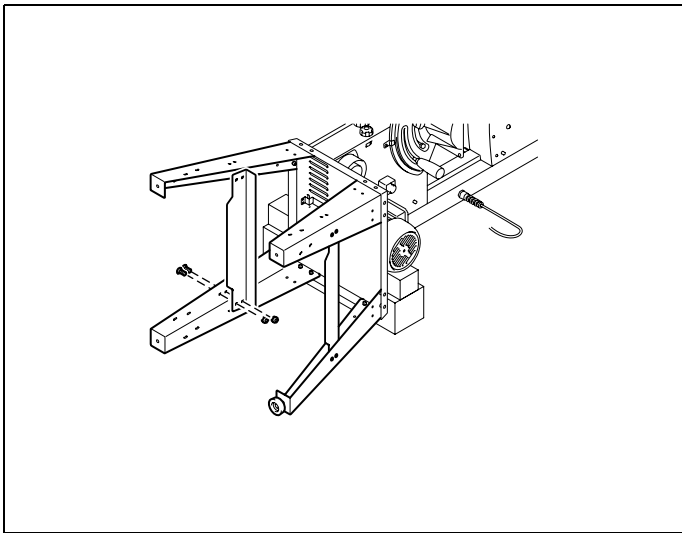
4



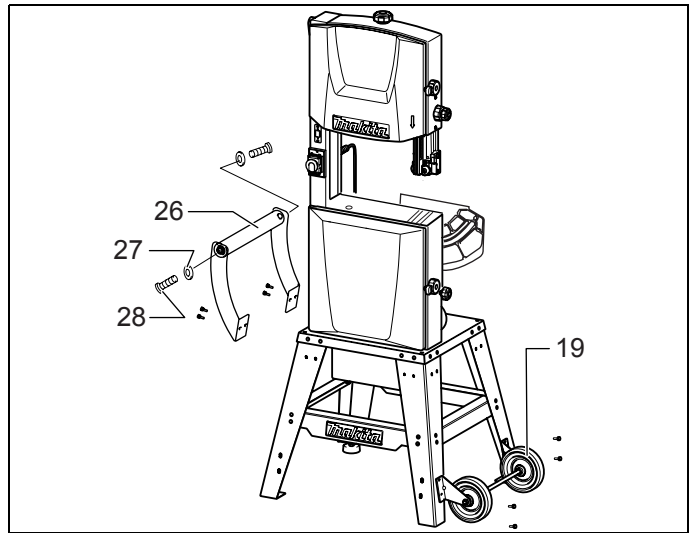
5



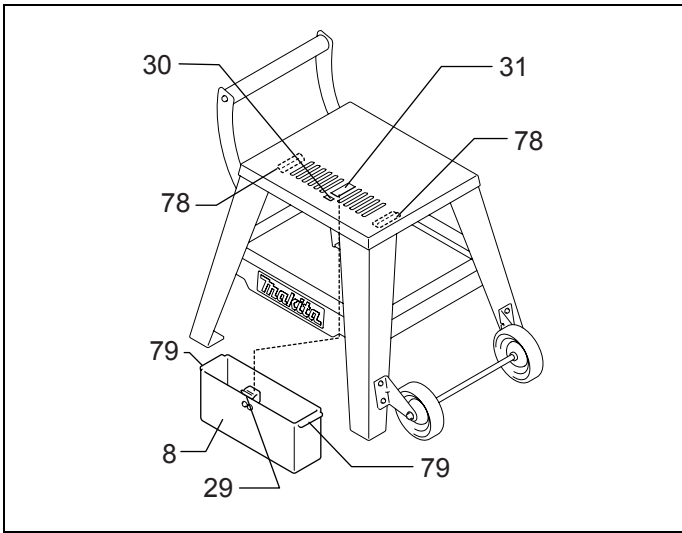
6



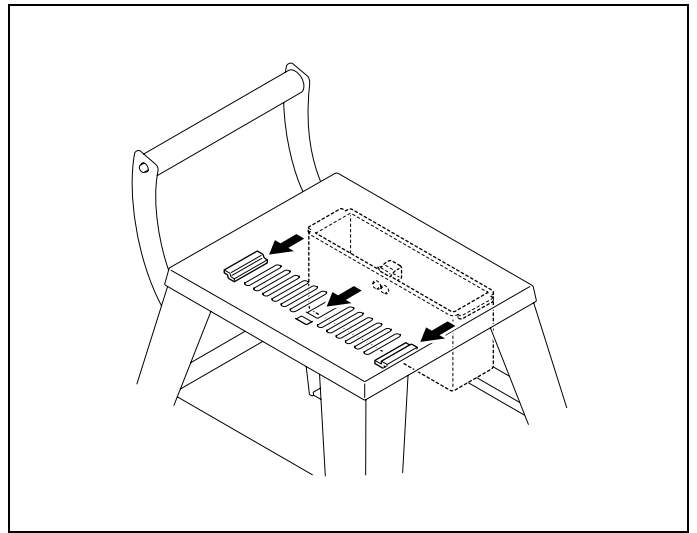
7



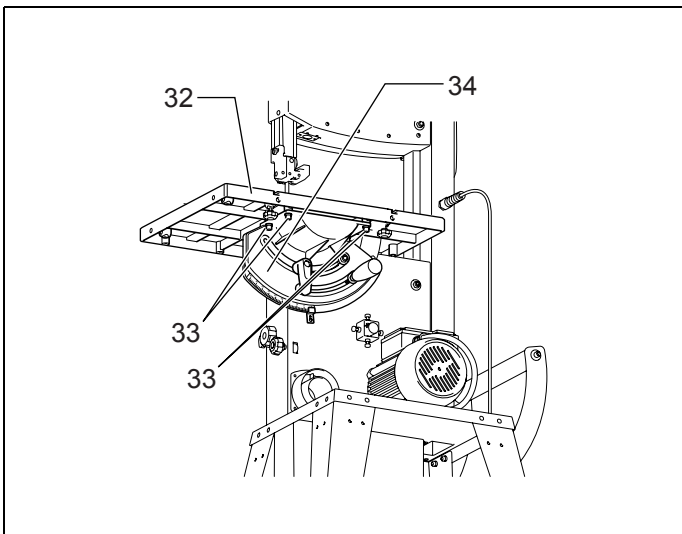
8



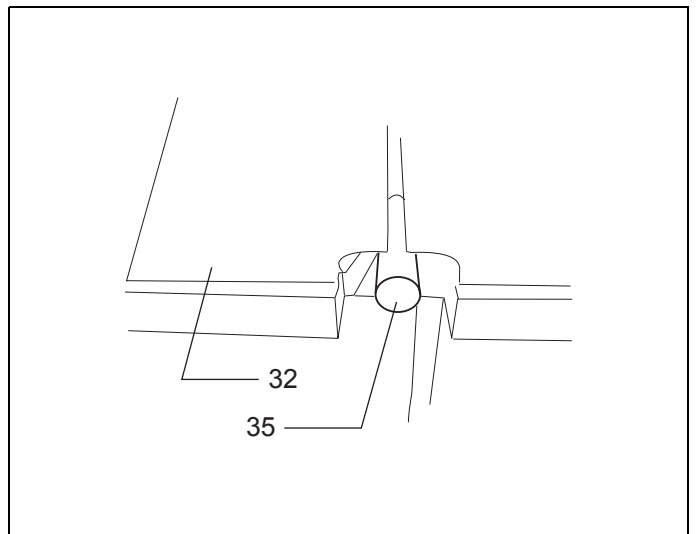
9



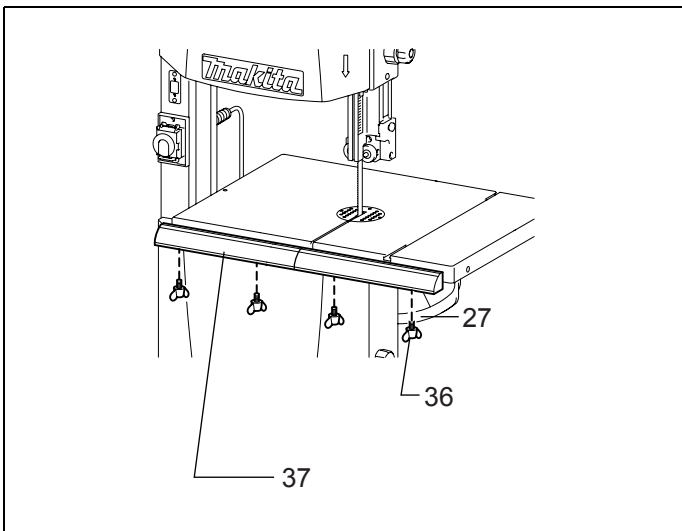
10



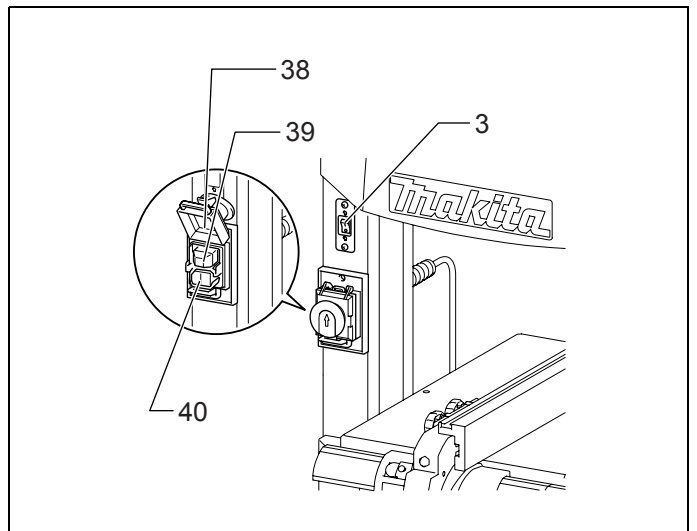
11



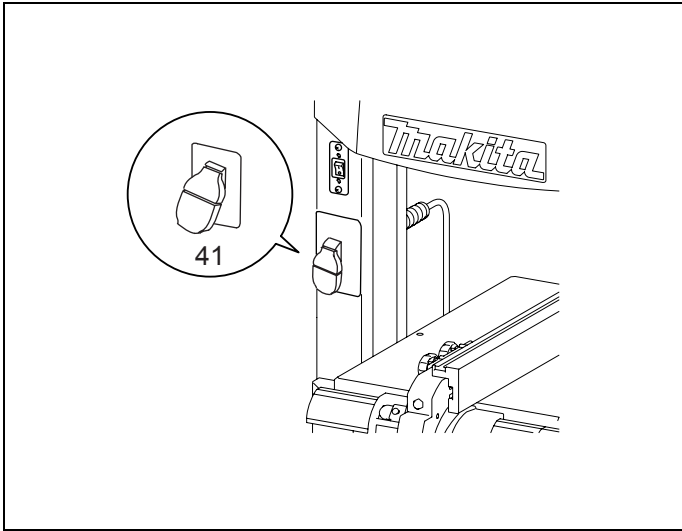
12



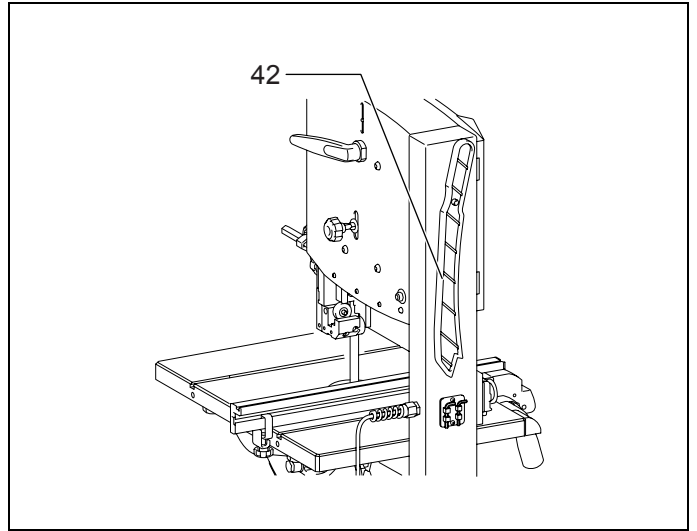
13



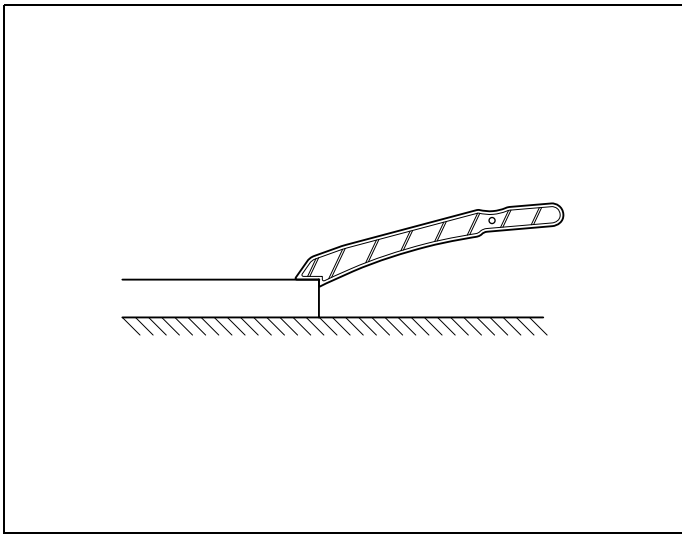
14



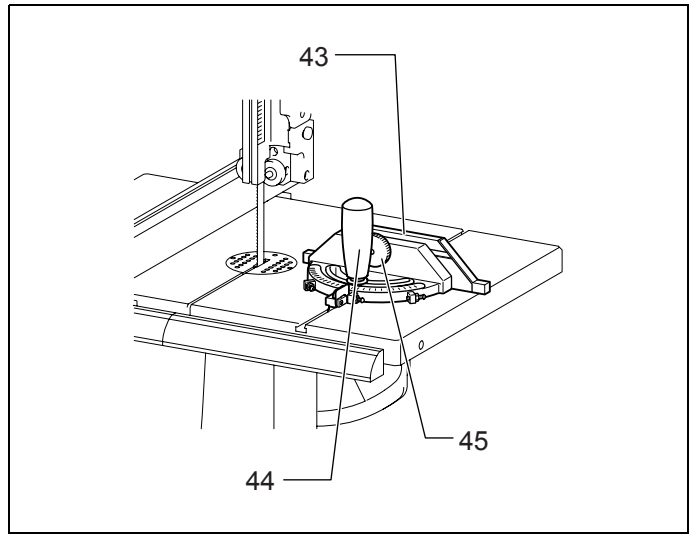
15



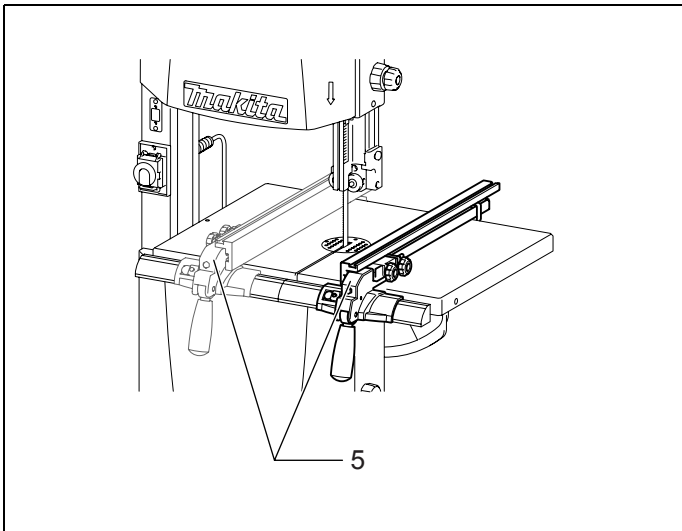
16



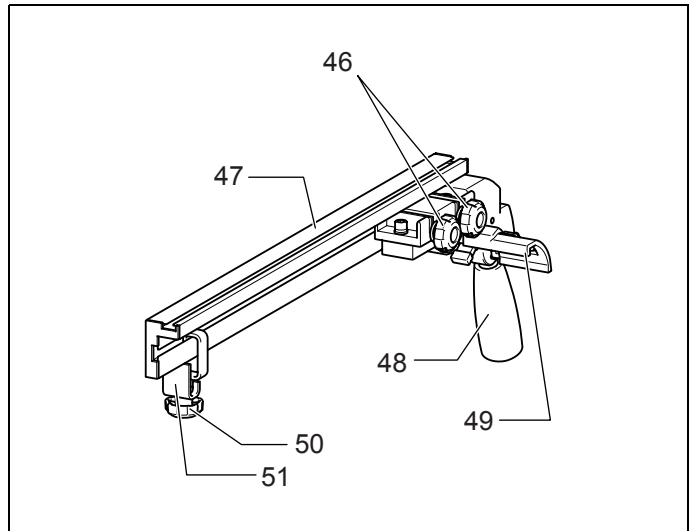
17



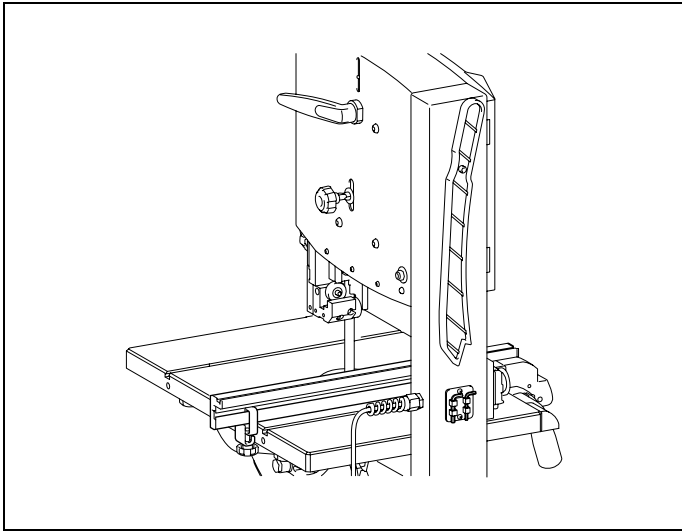
18



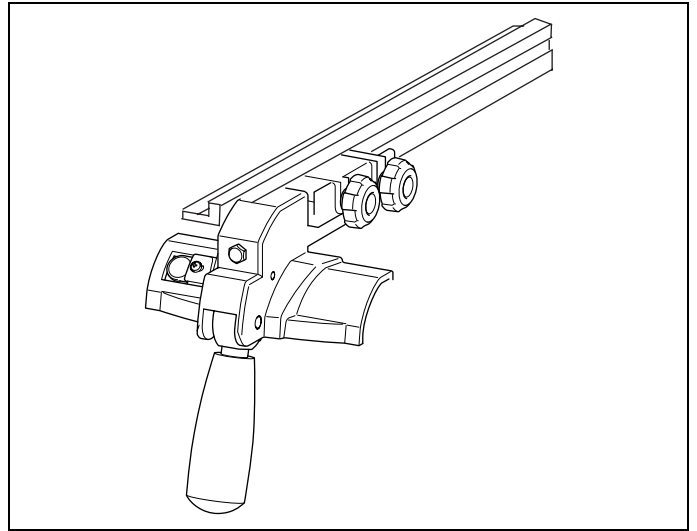
19



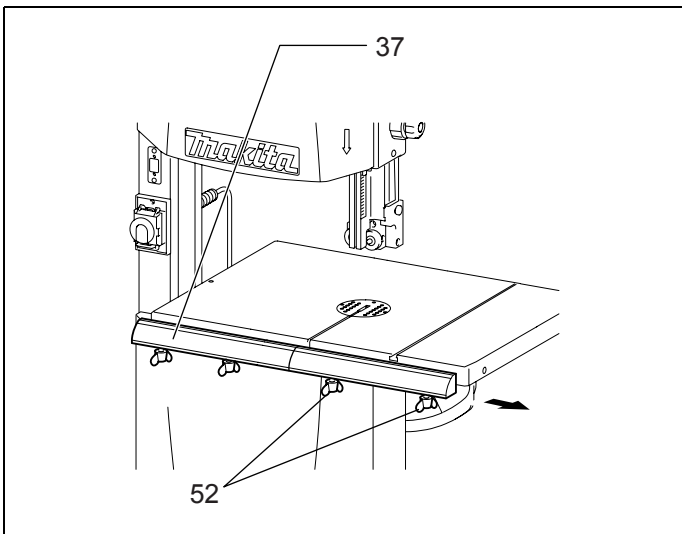
20



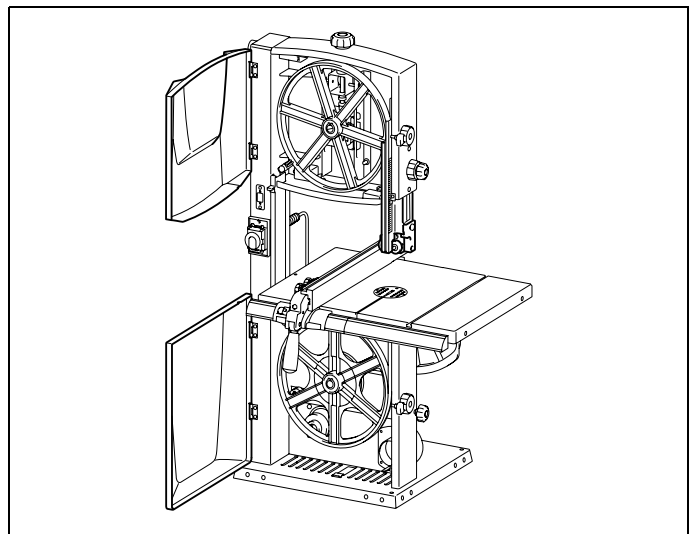
**21**



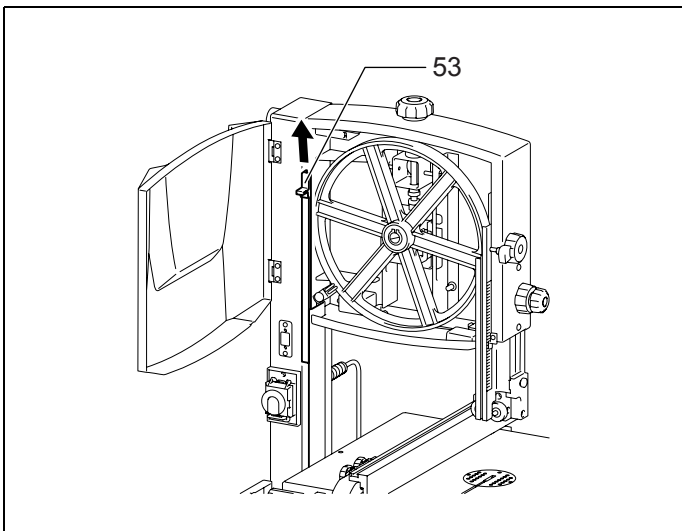
**22**



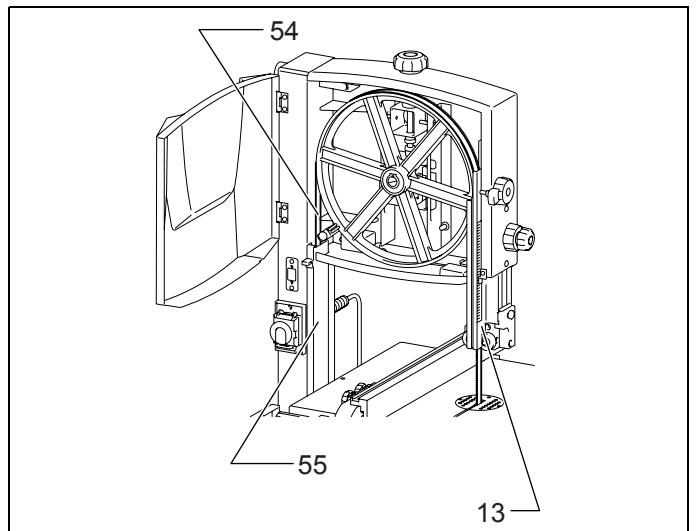
**23**



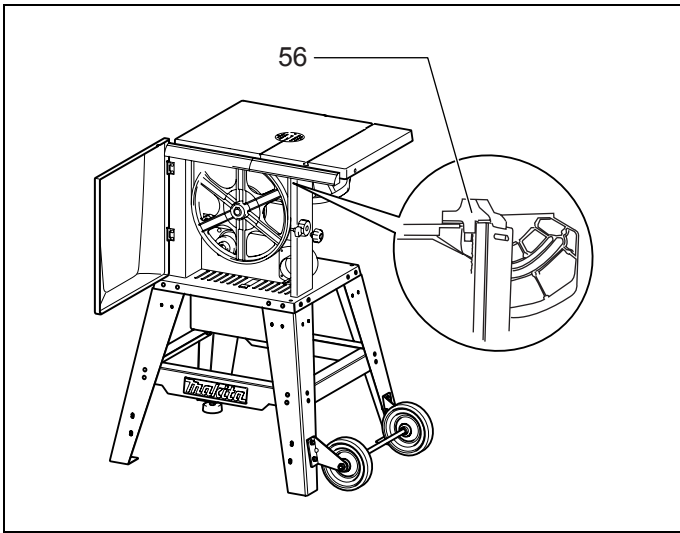
**24**



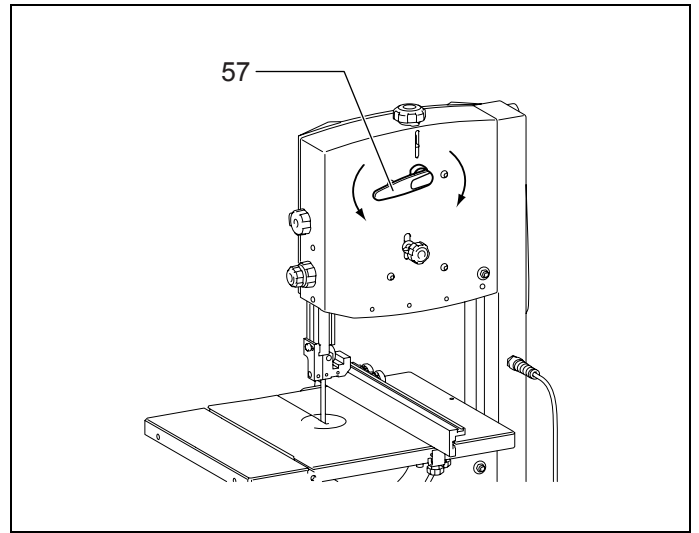
**25**



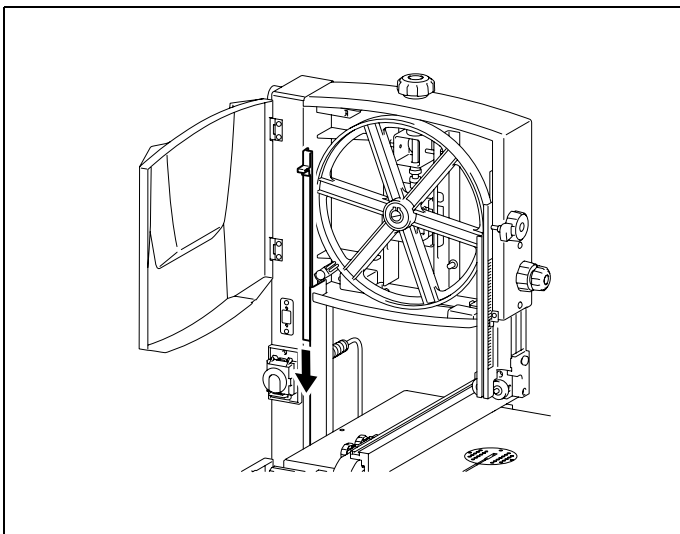
**26**



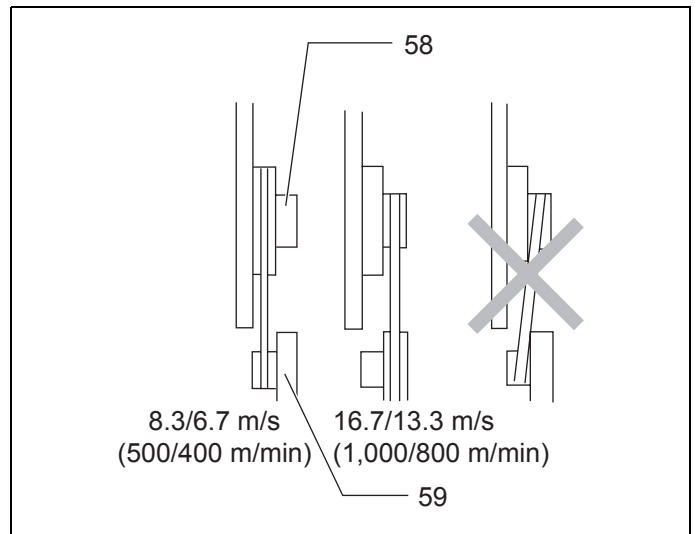
**27**



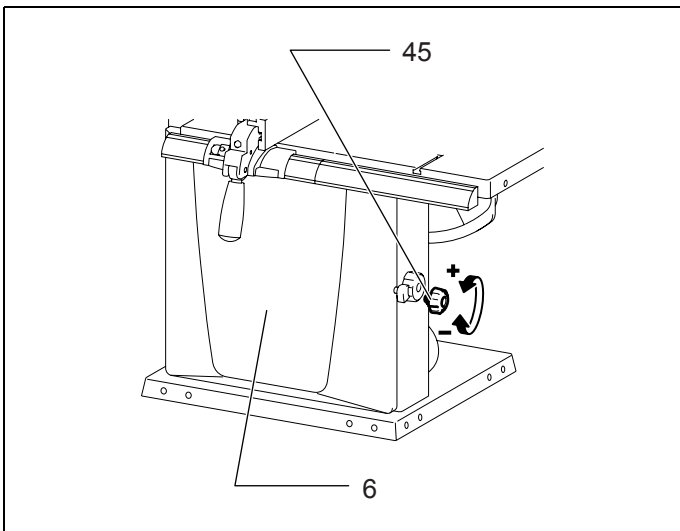
**28**



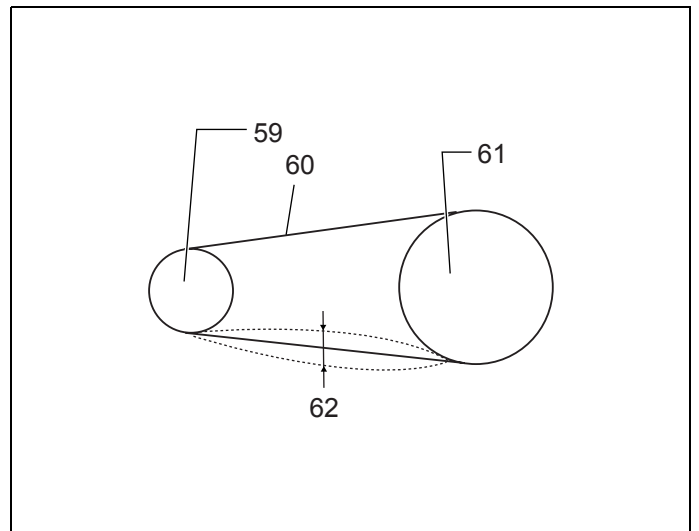
**29**



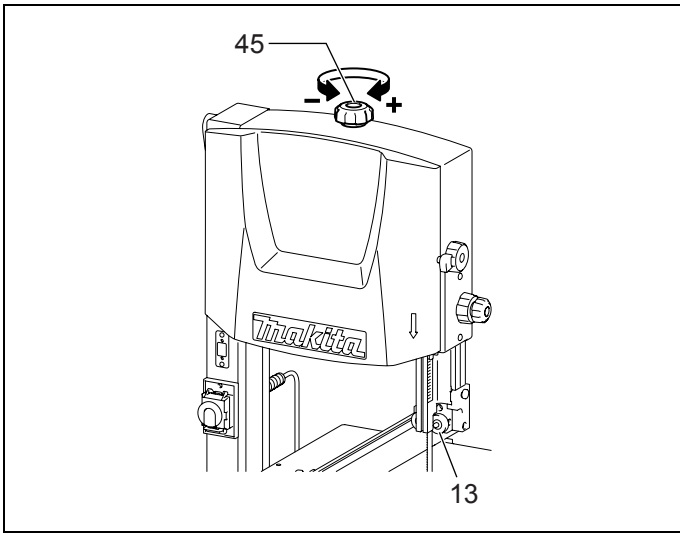
**30**



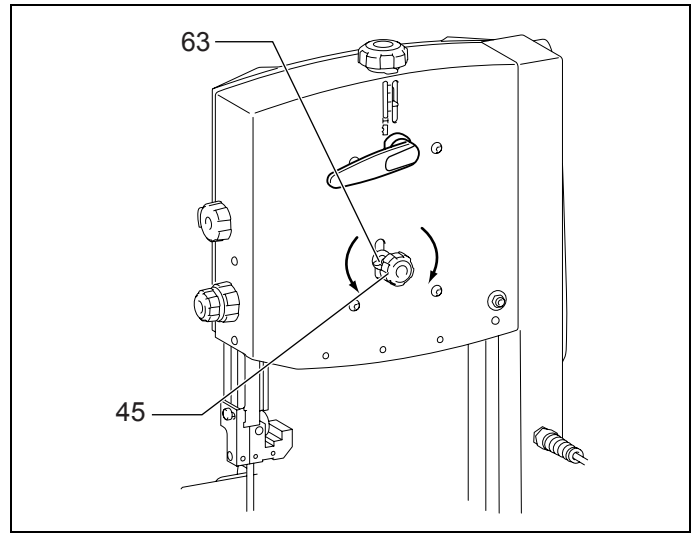
**31**



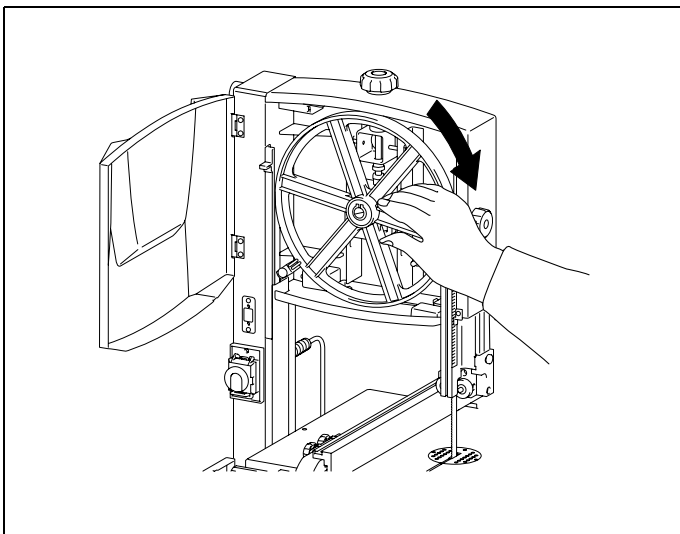
**32**



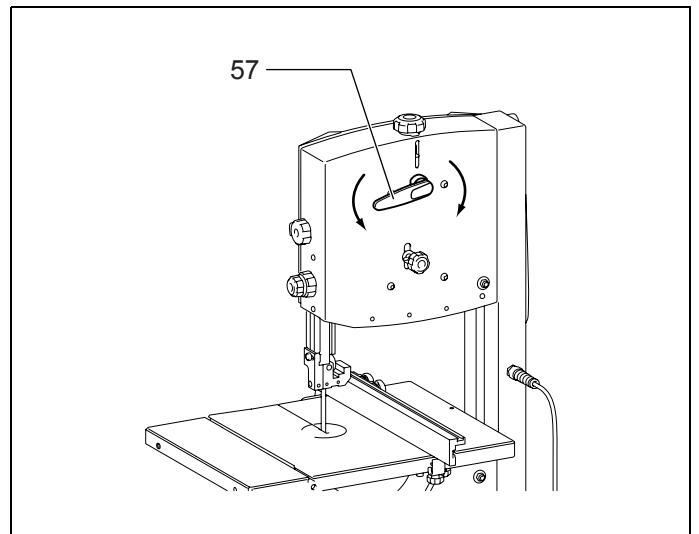
**33**



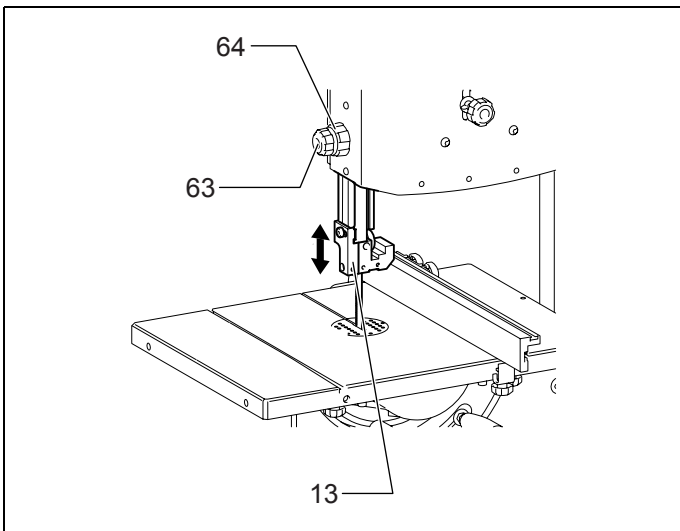
**34**



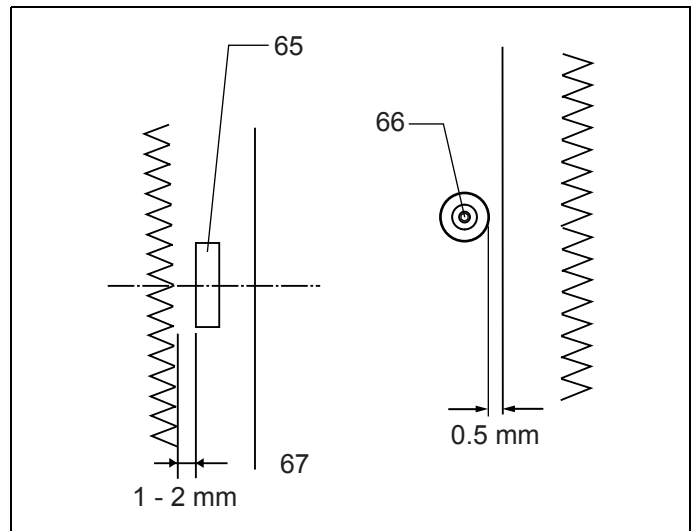
**35**



**36**

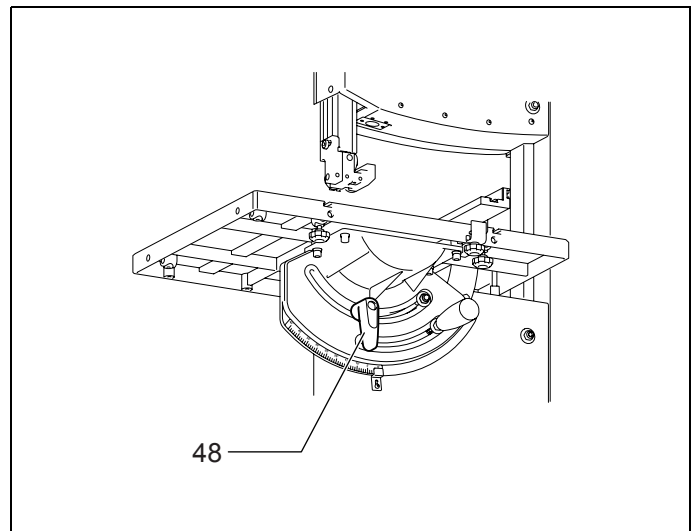
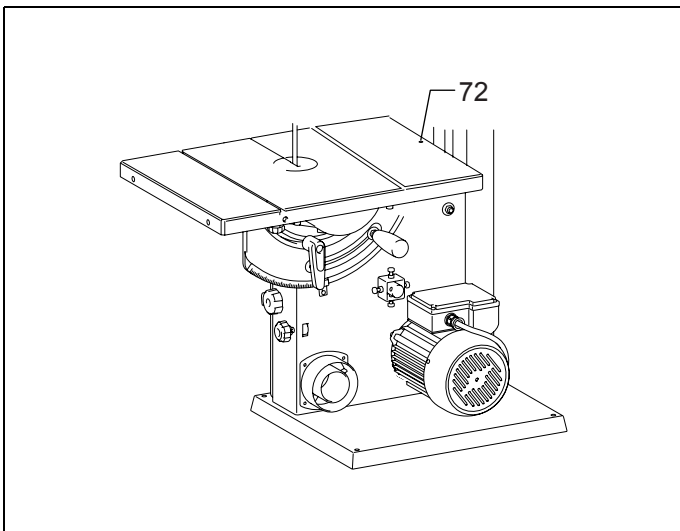
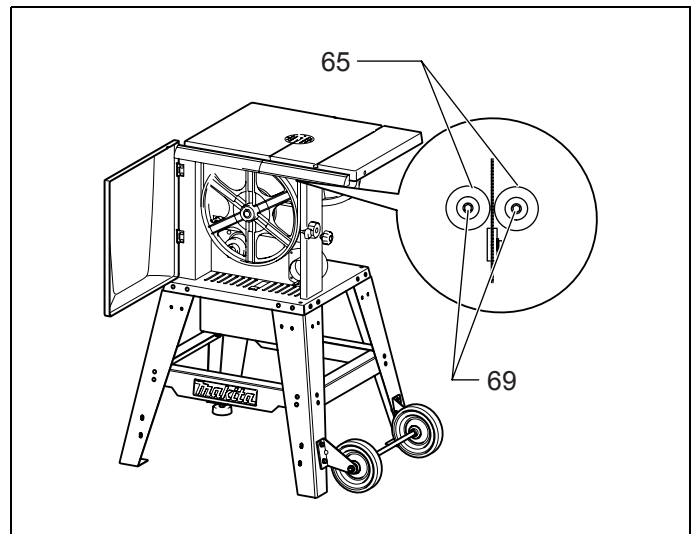
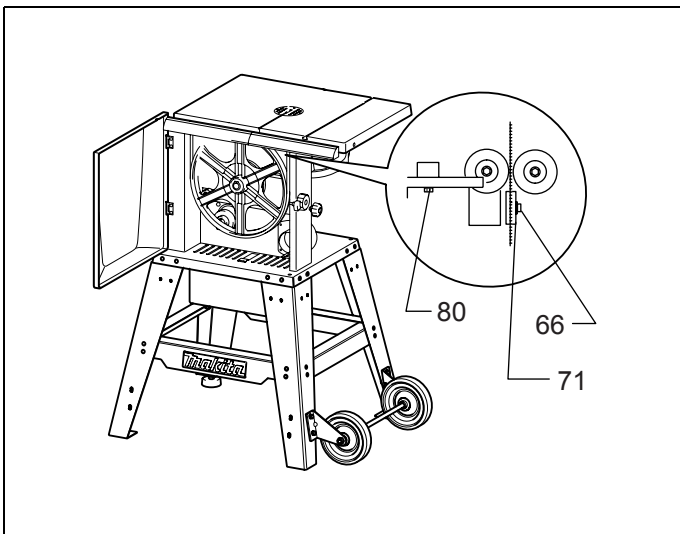
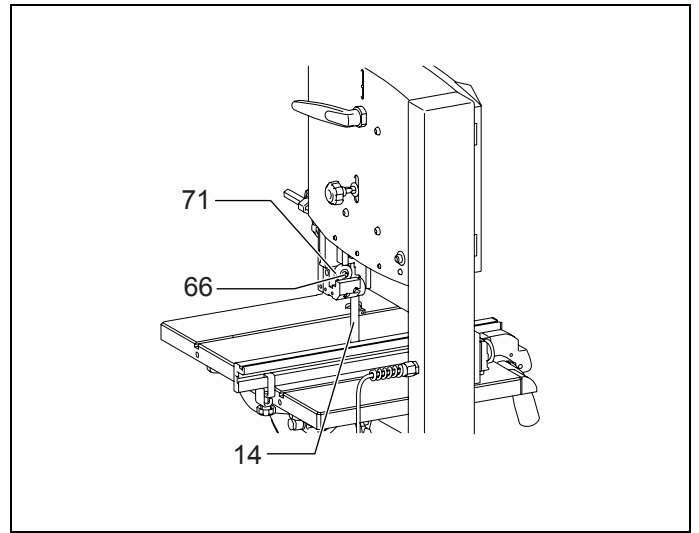
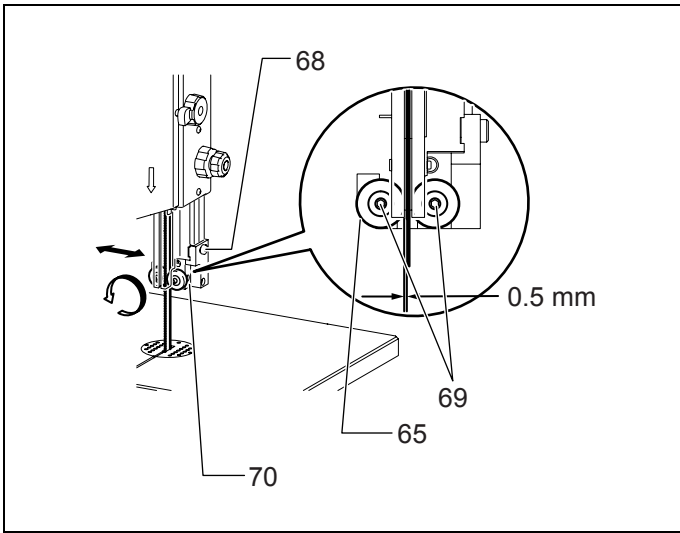


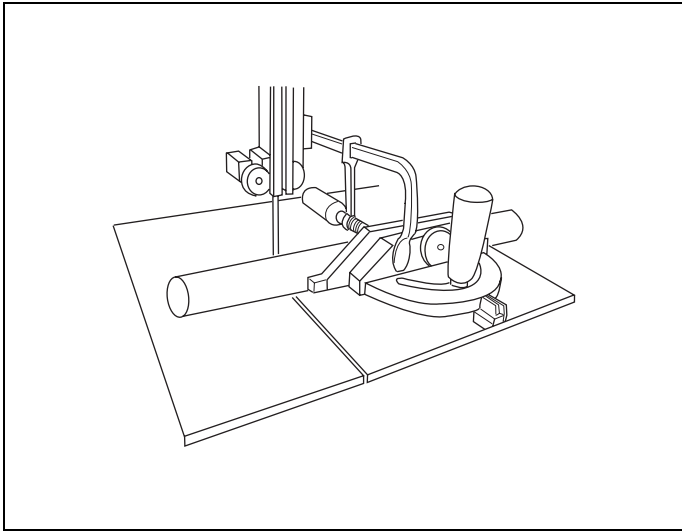
**37**



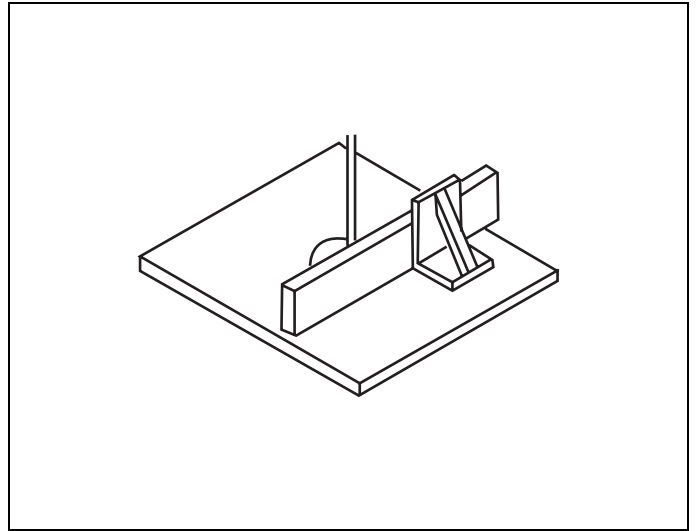
**38**



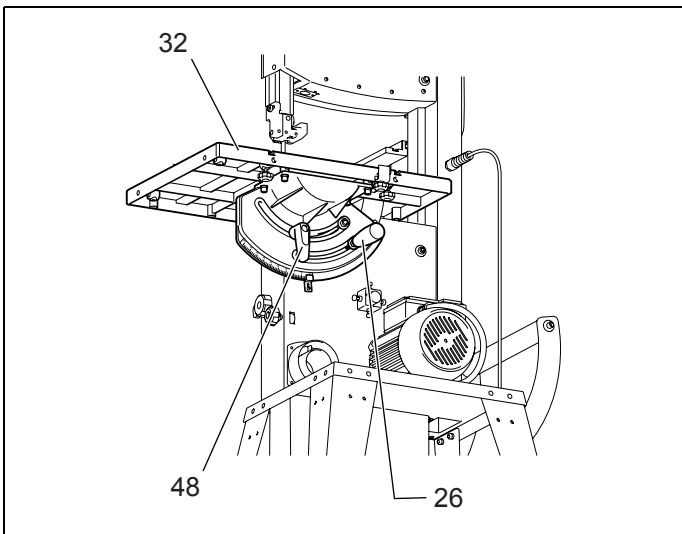




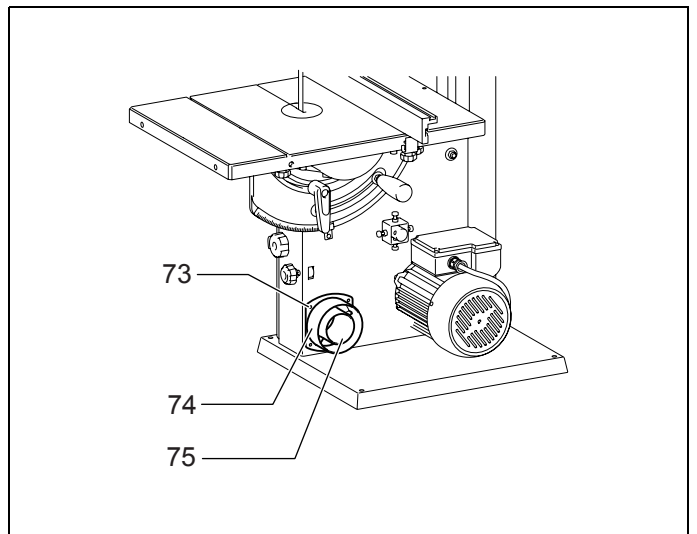
45



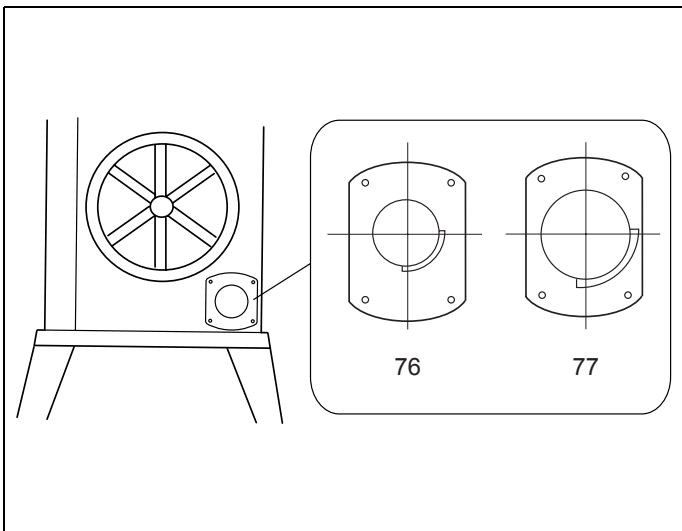
46



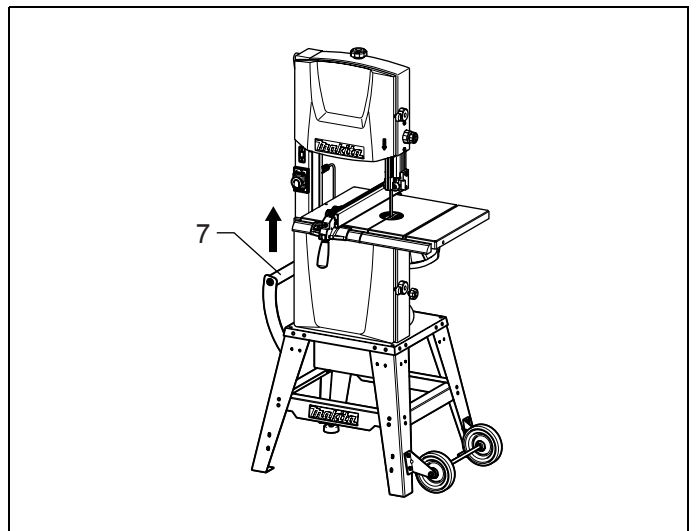
47



48



49



50

## ENGLISH (Original instructions)

### Explanation of general view

1. Wheel	29. Plate spring	57. Quick release lever
2. Upper cover	30. Securing hole	58. Lower band saw wheel
3. Light switch	31. Position hole	59. Motor pulley
4. Switch	32. Table	60. Driving belt
5. Rip fence	33. Hex bolts	61. Pulley of the driving wheel
6. Lower cover	34. Trunnion	62. Approx. 10 mm
7. Carry Handle	35. Pin	63. Lock knob
8. Dust box	36. Thumb screw	64. Adjusting knob
9. Knob (For tensioning blade)	37. Guide rail	65. Guide bearing
10. Knob (For securing upper housing door)	38. Switch cover	66. Bolt A
11. Knob (For adjusting blade guide)	39. OFF switch	67. Guide bearing distance from bottom of blade
12. Knob (For securing blade guide)	40. ON switch	68. Bolt C
13. Upper blade guide	41. ON	69. Bolt B
14. Blade	42. Push stick	70. Bearing holder
15. Knob (For securing lower housing door)	43. Miter gauge	71. Thrust bearing
16. Knob (For tensioning V-belt)	44. Lock handle	72. Screw
17. Driving belt	45. Knob	73. Nut
18. Stand	46. Knob (A)	74. Large opening collector
19. Tire	47. Fence	75. Small opening collector
20. Lock lever (For securing table tilt)	48. Lock lever	76. Small dust collector (Mounted on main unit)
21. Dust extraction port	49. Fence holder	77. Large dust collector (For changeover)
22. (Quick release) lever	50. Knob (B)	78. Rail
23. Knob (For adjusting cutter tool tracking)	51. Hold-down clamp	79. Shoulder
24. Grip (For adjusting table tilt)	52. Thumb screws	80. Hex bolt
25. Frame	53. Dust cover	
26. Handle	54. Saw blade	
27. Washer	55. Saw housing	
28. Hex socket head bolt	56. Lower blade guard	

## SPECIFICATIONS

Model	LB1200F	
Wheel size	305 mm	
Max. cutting capacity	165 mm	
No load speed	High	840 min <sup>-1</sup> (50 Hz)/1,040 min <sup>-1</sup> (60 Hz)
	Low	420 min <sup>-1</sup> (50 Hz)/520 min <sup>-1</sup> (60 Hz)
Cutting speed	High	13.3 m/s (800 m/min) (50 Hz)/16.7 m/s (1,000 m/min) (60 Hz)
	Low	6.7 m/s (400 m/min) (50 Hz)/8.3 m/s (500 m/min) (60 Hz)
Blade size	Circumference 2,240 mm x Width 6 mm, 13 mm, 16 mm	
Overall dimensions	615 mm x 775 mm x 1,600 mm	
Table size	560 mm x 400 mm	
Net weight	81.2 kg	

- Due to our continuing program of research and development, the specifications herein are subject to change without notice.
- Specifications may differ from country to country.
- Weight according to EPTA-Procedure 01/2003

### Symbols

END215-2

The following show the symbols used for the tool. Be sure that you understand their meaning before use.



..... Read instruction manual.



..... Withdraw the main plug.



..... Wear safety glasses.



..... Do not place hand or fingers close to the blade.



..... Only for EU countries  
Do not dispose of electric equipment together with household waste material!

In observance of European Directive 2002/96/EC on waste electrical and electronic equipment and its implementation in accordance with national law, electric equipment that have reached the end of their life must be collected separately and returned to an environmentally compatible recycling facility.

### Intended use

The tool is intended for cutting in wood.

### Power supply

The tool should be connected only to a power supply of the same voltage as indicated on the nameplate, and can only be operated on single-phase AC supply. They are double-insulated in accordance with European Standard and can, therefore, also be used from sockets without earth wire.

# SAFETY INSTRUCTIONS

ENA001-2

**⚠ WARNING: When using electric tools, basic safety precautions, including the following, should always be followed to reduce the risk of fire, electric shock and personal injury. Read all these instructions before operating this product and save these instructions.**

## For safe operations:

- 1. Keep work area clean.**  
Cluttered areas and benches invite injuries.
- 2. Consider work area environment.**  
Do not expose power tools to rain. Do not use power tools in damp or wet locations. Keep work area well lit. Do not use power tools where there is risk to cause fire or explosion.
- 3. Guard against electric shock.**  
Avoid body contact with earthed or grounded surfaces (e.g. pipes, radiators, ranges, refrigerators).
- 4. Keep children away.**  
Do not let visitors touch the tool or extension cord. All visitors should be kept away from work area.
- 5. Store idle tools.**  
When not in use, tools should be stored in a dry, high or locked up place, out of reach of children.
- 6. Do not force the tool.**  
It will do the job better and safer at the rate for which it was intended.
- 7. Use the right tool.**  
Do not force small tools or attachments to do the job of a heavy duty tool. Do not use tools for purposes not intended; for example, do not use circular saws to cut tree limbs or logs.
- 8. Dress properly.**  
Do not wear loose clothing or jewellery, they can be caught in moving parts. Rubber gloves and non-skid footwear are recommended when working outdoors. Wear protecting hair covering to contain long hair.
- 9. Use safety glasses and hearing protection.**  
Also use face or dust mask if the cutting operation is dusty.
- 10. Connect dust extraction equipment.**  
If devices are provided for the connection of dust extraction and collection facilities ensure these are connected and properly used.
- 11. Do not abuse the cord.**  
Never carry the tool by the cord or yank it to disconnect it from the socket. Keep the cord away from heat, oil and sharp edges.
- 12. Secure work.**  
Use clamps or a vice to hold the work. It is safer than using your hand and it frees both hands to operate the tool.
- 13. Do not overreach.**  
Keep proper footing and balance at all times.
- 14. Maintain tools with care.**  
Keep cutting tools sharp and clean for better and safer performance. Follow instructions for lubrication and changing accessories. Inspect tool cord periodically and if damaged have it repaired by an authorized service facility. Inspect extension cords periodically and replace, if damaged. Keep handles dry, clean and free from oil and grease.
- 15. Disconnect tools.**  
When not in use, before servicing and when changing accessories such as blades, bits and cutters.
- 16. Remove adjusting keys and wrenches.**  
Form the habit of checking to see that keys and adjusting wrenches are removed from the tool before turning it on.

- 17. Avoid unintentional starting.**  
Do not carry a plugged-in tool with a finger on the switch. Ensure switch is off when plugging in.
- 18. Use outdoor extension leads.**  
When tool is used outdoors, use only extension cords intended for outdoor use.
- 19. Stay alert.**  
Watch what you are doing. Use common sense. Do not operate tool when you are tired.
- 20. Check damaged parts.**  
Before further use of the tool, a guard or other part that is damaged should be carefully checked to determine that it will operate properly and perform its intended function. Check for alignment of moving parts, free running of moving parts, breakage of parts, mounting and any other conditions that may affect its operation. A guard or other part that is damaged should be properly repaired or replaced by an authorized service center unless otherwise indicated in this instruction manual. Have defective switches replaced by an authorized service facility. Do not use the tool if the switch does not turn it on and off.
- 21. Warning.**  
The use of any accessory or attachment, other than those recommended in this instruction manual or the catalog, may present a risk of personal injury.
- 22. Have your tool repaired by a qualified person.**  
This electric tool is in accordance with the relevant safety requirements. Repairs should only be carried out by qualified persons using original spare parts, otherwise this may result in considerable danger to the user.

## ADDITIONAL SAFETY RULES FOR TOOL

### SAVE THESE INSTRUCTIONS.

- 1. Wear eye protection.**
- 2. Don't use the tool in presence of flammable liquids or gases.**
- 3. Always use face or dust mask.**
- 4. Check the blade carefully for cracks or damage before operation. Replace cracked or damaged blade immediately.**
- 5. Use only saw blades recommended by the manufacturer and which conform to EN847-1.**
- 6. Always use accessories recommended in this manual. Use of improper accessories such as abrasive cut-off wheels may cause an injury.**
- 7. Select the correct saw blade for the material to be cut.**
- 8. Do not use saw blades manufactured from high speed steel.**
- 9. To reduce the emitted noise, always be sure that the blade is sharp and clean.**
- 10. Do not cut metals such as nails and screws. Inspect for and remove all nails, screws and other foreign matter from the workpiece before operation.**
- 11. Remove wrenches, cut-off pieces, etc. from the table before the switch is turned on.**
- 12. NEVER wear gloves during operation.**
- 13. Keep hands out of the line of the saw blade.**
- 14. NEVER stand or permit anyone else to stand in line with the path of the saw blade.**

15. Before using the tool on an actual workpiece, let it run for a while. Watch for vibration or wobbling that could indicate poor installation or a poorly balanced blade.
16. Replace the table insert when worn.
17. Connect band saw to a dust-collecting device when sawing wood.
18. Do not operate the machine when the door or guard protecting the saw band is open.
19. Take care that the selection of the saw band and the speed depends on the material to be cut.
20. Do not clean the saw band whilst it is in motion.

## INSTALLATION (Fig. 1 & 2)

### Securing the band saw stand

If during operation there is any tendency for the band saw to tip over, slide or move, the band saw stand be secured to the floor. (Fig. 3 - 7)

- After attaching the stand, attach the handle and tires. (Fig. 8)

### How to load dust box

The dust box is loaded from the underside of the table saw. When loading, insert plate spring (for securing) at inside edge of the machine's positioning hole, slot both shoulders of dust box onto rails, and then slide toward the outside.

Once the leading edge of the securing plate spring fits into the machine's securing hole, the dust box is loaded. (Fig. 9 & 10)

Secure table to trunnion using four hex bolts. (Fig. 11)

Pin is inserted at time of shipping, so please pull it out. (Fig. 12)

### Installing the guide rail (Fig. 13)

- Fasten the guide rail with four each thumb screws and washers to the table.

## FUNCTIONAL DESCRIPTION

### Switch action (Fig. 14)

#### ⚠ CAUTION:

- Before operation, make sure that the tool is turned on and off. The switch cover can be opened easily by sliding it upwards. To start the tool, press the ON (I) button. To stop it, press the OFF (O) button or the switch cover.

### Lighting up the lamps

Push the upper position (I) of the switch for turning on the light and the lower position (O) for off.

To start the tool, raise the switch lever. (Fig. 15)

To stop it, lower the switch lever.

### Push stick (Fig. 16)

The push stick serves as an extension of the hand and protects against accidental contact with the saw blade.

The push stick must always be used if the distance between band saw blade and a rip fence is less than 150 mm.

Guide the push stick at an angle of 20° ... 30° against the saw table's surface. (Fig. 17)

When the push stick is not used it can be stored on the push stick holder provided at the band saw frame.

Replace push stick if damaged.

### Miter gauge (Fig. 18)

The miter gauge is inserted into the table slot from the table's front edge.

For miter cuts the miter gauge turns to 60° in both directions.

For 45° and 90° miters positive stops are provided.

To set a miter angle: loosen lock handle by turning it counter-clockwise.

#### ⚠ WARNING:

**When cutting with the miter gauge the lock handle must be firmly tightened.**

The auxiliary fence can be taken off and reversed after loosening knob.

### Installing the Rip Fence (Fig. 19)

The rip fence can be used on both sides of the blade. When the rip fence is moved from one side of the saw blade to the other the fence needs to be reversed.

### Reversing the fence (Fig. 20)

1. Loosen knob (B) of the hold-down clamp.
2. Remove hold-down clamp from the fence.
3. Loosen knob (A).
4. Lift fence off the fence holder.
5. Reverse fence and slide back on the fence holder.
6. Tighten knob (A).
7. Slide hold-down clamp on the fence.

### Clamping the rip fence

1. Place rip fence on the guide rail.
2. Tighten the lock lever of the rip fence.
3. Loosen the knob (B) of the hold-down clamp.
4. Slide hold-down clamp against the rear table edge.
5. Tighten the knob (B).

Fence height can be lowered when cutting thin materials. (Fig. 21 & 22)

1. Loosen knob (B) of the hold-down clamp.
2. Remove hold-down clamp from the fence.
3. Loosen knob (A).
4. Lift fence off the fence holder.
5. Slide knob (A) away from fence to remove.
6. Rotate fence 90°.
7. Insert knob (A) into the other groove of the fence.
8. Return fence to fence holder.
9. Tighten knob (A).
10. Slide hold-down clamp on the fence.

When fence height has been lowered, the 0 (zero) point changes. If the rip fence is on the left side of the blade, slide the guide rail to the left to adjust to 0 point.

## ASSEMBLY

### Changing the band saw blade

#### ⚠ CAUTION:

- Contacting the band saw blade even with the band saw blade at standstill may cause a personal injury.
  - Saw blade is dangerous. Be sure to wear gloves when handling saw blade in situations such as removing from packaging, mounting or replacing blade.
1. Loosen the two thumb screws for the right-guide rail, and slide the right-side rail to the right. (Fig. 23)

2. Open the upper cover and lower cover on the tool. (Fig. 24)
3. Hold the handle and pull the dust cover upwards to remove. (Fig. 25)
4. Open the lower blade guard. (Fig. 26)
5. Set the upper blade guide to its lowest position.
6. Loosen quick release lever until the band saw blade has slackened. (Fig. 27)
7. To remove the band saw blade, guide it through.
  - the slot in the saw blade.
  - the blade guard on the upper blade guides.
  - the blade cover on the saw housing.
8. Fit a fresh band saw blade. Observe correct position: the teeth point towards the front (door) side of the saw.
9. Center band saw blade on the rubber tyres of the band saw wheels.
10. Tighten quick release lever until blade does no longer slip off the band saw wheels.
11. Close lower blade guard.

**⚠ CAUTION:**

Close lower cover only when the lower blade guard is in its closed position.

12. Return the right-guide rail to its original position. (Fig. 28 & 29)
13. Fit the dust cover.
14. Close both covers.
15. Then:
  - tension band saw blade (Refer to the section titled "Tensioning the band saw blade" in "FUNCTIONAL DESCRIPTION").
  - align band saw blade (Refer to the section titled "Aligning the band saw blade" "ASSEMBLY").
  - align blade guides (Refer to the section titled "Adjusting the upper blade guide" in "FUNCTIONAL DESCRIPTION").
  - let saw test run for at least one minute;
  - stop saw unplug and recheck settings.

### Cutting speed adjustment (Fig. 30)

1. Open the lower cover.
2. Slacken driving belt by turning the knob clockwise.
3. Put driving belt on the required pulley of the driving wheel (lower band saw wheel) and the corresponding motor pulley-note label inside the lower cover.

**⚠ CAUTION:**

The driving belt must run either on both front or both rear pulleys. Never have the V-belt run diagonally.

### Setting knob for belt tension (Fig. 31)

With the setting knob the belt tension is corrected if necessary:

- turning the setting knob clockwise reduces the driving belt tension.
- turning the setting knob counter-clockwise increases the driving belt tension.

Tighten the driving belt again by turning the knob counter-clockwise (half-way between the pulleys the driving belt should flex approx. 10 mm). (Fig. 32)

Close the lower cover.

## FUNCTIONAL DESCRIPTION

### Tensioning the Band saw Blade (Fig. 33)

**⚠ CAUTION:**

**Too much tension can cause the band saw blade to break. Too little tension can cause the driven band saw wheel to slip and the band saw blade to stop.**

1. Raise upper blade guide fully. Using the scale as guide, and taking the blade width into consideration, turn the knob to adjust tension. (After adjusting, check tension as shown in item 2.)
2. Checking the blade tension:
  - check tension by pushing with a finger, halfway between table and upper blade guide, against the side of the blade (the blade should flex not more than 1-2 mm).
  - check adjustment at the blade tension indicator. The scale indicates the correct adjustment in dependence on the band saw blade width.
3. Correct tension if necessary:
  - turning the setting knob clockwise increases the blade tension.
  - turning the setting knob counter-clockwise reduces the blade tension.

### Aligning the band saw blade (Fig. 34)

If the band saw blade does not run in the center of the rubber tyres, the tracking needs to be corrected by adjusting the tilt of the upper band saw wheel:

1. Loosen lock knob.
2. Manually rotate the upper wheel, taking care not to touch the blade.
3. Turn setting knob clockwise if the band saw blade runs towards the front of the saw.
  - turn setting knob counter-clockwise if the band saw blade runs toward the rear of the saw.
4. After adjusting, always close the lock knob. (Fig. 35)

### Quick release lever (Fig. 36)

With the quick release lever the saw blade tension is released.

Clockwise: Reduce tension

Counterclockwise: Increase tension

### Upper blade guide adjustment (Fig. 37)

The height of the upper blade guide needs to be adjusted: prior to every cutting/operation, to accommodate the height of the work piece (the upper blade guide should be set approx. 3 mm above the work piece);

- after adjustments of band saw blade or saw table (e.g. band saw blade change, tensioning of the band saw blade, saw table alignment).

**⚠ CAUTION:**

Before adjusting the upper blade guide and saw table tilt:

- switch machine OFF;
- wait until the band saw blade has come to a complete stop.

- Set upper blade guide with the adjusting knob to the desired height by loosening the lock knob. After adjustment be sure to tighten the lock nut.
- Never cut several work pieces at the same time — and also no bundles containing several individual pieces. Risk of personal injury if individual pieces are caught by the saw blade uncontrolled.

1. Loosen bolt C, and adjust bearing holder, so that guide bearing is positioned 1 or 2 mm from bottom of blade. (Fig. 38 - 40)
2. Loosen bolt A, and adjust thrust bearing to a position of 0.5 mm from rear of blade.
3. Loosen bolt B, and adjust guide bearing to a position 0.5 mm away from blade.

### Align the lower blade guide (Fig. 41)

The lower blade guide consists of:

- a thrust bearing (supporting the band saw blade from the rear).
- two guide bearings (providing lateral support).

These parts need to be readjusted after every band saw blade change or tracking adjustment:

#### Note:

Periodically check thrust bearings and guide bearings for wear, if necessary replace both guide bearings at the same time.

- Open lower cover door and the lower blade guard.
- Loosen hex bolt, move the entire lower blade guide, and adjust the guide bearing to a position of 1 or 2 mm from bottom of individual blade.

### Adjusting the thrust bearing

1. Loosen bolt A.
2. Adjust thrust bearing position (distance thrust bearing - band saw blade = 0.5 mm — if the band saw blade is turned by hand, it must not touch the thrust bearing).
3. Tighten bolt A.

### Adjusting the guide bearings (Fig. 42)

1. Loosen bolt B.
2. Set guide bearing against the band saw blade.
3. Turn the band saw wheel by hand in a clockwise direction several times to bring the guide bearings in correct position. Loosen bolt A, and adjust thrust bearing to a position of 0.5 mm from rear of blade. Both guide bearings should JUST TOUCH the band saw blade.
4. Tighten bolt B again.
5. Close lower blade guard.
6. Close the lower cover door.

### Aligning the saw table at right angles to the band saw blade (Fig. 43 & 44)

1. Raise upper blade guide fully (see "Operation").
2. Check band saw blade tension (see "FUNCTIONAL DESCRIPTION").  
Turn the handle clockwise to tilt the table in an anticlockwise direction, and turn the handle anticlockwise to tilt the table in a clockwise direction.
3. Loosen lock lever.
4. Using a try square, set the table at right angles to the blade by turning the handle to adjust the table, and tighten the lock lever again.
5. Adjust limit stop screw until it touches the saw housing.

### Operation (Fig. 45 & 46)

#### ⚠ Danger:

To reduce the risk of personal injury as much as possible, the following safety recommendations should be observed when operating the saw.

#### ⚠ CAUTION:

- Do not touch the saw blade when cutting.
- During saw operation, wear safety glasses, but do not wear gloves.

- Cut only one work piece at a time.
- Always hold the work piece down on the table.
- Do not jam any work pieces.
- Do not try to slow the band saw blade down or stop it by pushing the work piece against the saw blade from the side.
- When straight cutting against the fence use a push stick.
- If the type of work requires, use the following:
  - pushing stick — if distance rip fence - band saw blade  $\leq 150$  mm;
  - work support — for long stock, which would otherwise fall off the table on completion of the cut;
  - dust collector;
  - when cutting round stock, firmly secure material as shown in diagram.
  - a suitable guide for firm support when cutting thin stock layed on edge.
  - gloves for handling the saw band and rough material.
- Before starting work, check to see that the following are in proper working order:
  - band saw blade;
  - upper and lower blade guard.
- Replace damaged parts immediately.
- Assume correct work position (the band saw blade's teeth must point towards the operator).

### Sawing

#### ⚠ WARNING:

Risk of kickback (work piece is caught by the band saw blade and thrown against the operator.)

Do not jam any work piece.

- Select rip fence and table tilt for the type of cutting operation to be carried out.
- Set upper blade guide 3 mm above the work piece.

#### Note:

Always make a trial cut in a piece of scrap to verify settings, correct if necessary before cutting the work piece.

- Place work piece on the saw blade.
- Plug in.
- Start saw.
- Cut work piece in a single pass.
- Switch off if no further cutting is to be done immediately afterwards.
- Use separately retailed sub table.

### Saw table tilt (Fig. 47)

#### ⚠ CAUTION:

When bevel-cutting with the table inclined, place the guide on the lower part of the table.

After loosening the lock lever the saw table tilts steplessly through 47° against the blade.

Turn the handle clockwise to tilt the table in an anticlockwise direction, and turn the handle anticlockwise to tilt the table in a clockwise direction.

### Connecting to vacuum cleaner (Fig. 48 & 49)

Cleaner operations can be performed by connecting the tool to Makita vacuum cleaner or dust collector.

If a dust extractor is fitted to the large opening collector, rearrange dust collector to ensure it has a large opening.

### How to move machine (Fig. 50)

- Raise handle to enable movement of machine.

- During transportation the saw band guard should be fully down and close to the table.
- Do not use guarding for handling or transportation.

**⚠ CAUTION:**

- If handle is raised too high, the machine may topple over.

## MAINTENANCE

**⚠ CAUTION:**

- Always be sure that the tool is switched off and unplugged before attempting to perform inspection or maintenance.

**NOTICE:**

- Never use gasoline, benzine, thinner, alcohol or the like. Discoloration, deformation or cracks may result.

**Cleaning**

Clean out sawdust and chips from time to time. Carefully clean the blade guard and moving parts inside the band saw.

**Lubrication**

To keep the band saw in tip-top running condition, and to assure maximum service life, oil or grease the moving parts and rotating parts from time to time.

To reduce the emitted noise, always be sure that the blade is sharp and clean.

To maintain product SAFETY and RELIABILITY, repairs, any other maintenance or adjustment should be performed by Makita Authorized Service Centers, always using Makita replacement parts.

## ACCESSORIES

**⚠ CAUTION:**

- These accessories or attachments are recommended for use with your Makita tool specified in this manual. The use of any other accessories or attachments might present a risk of injury to persons. Only use accessory or attachment for its stated purpose. If you need any assistance for more details regarding these accessories, ask your local Makita Service Center.

- Band saw stand
- Hex wrench
- Rip fence
- Miter gauge
- Circular cutting attachment
- Extension table
- Belt sanding attachment

**For European countries only**

**Noise**

The typical A-weighted noise levels are  
 sound pressure level: 81 dB (A)  
 sound power level: 94 dB (A)  
 Uncertainty (K): 3 dB (A)

**Wear ear protection.**

These values have been obtained according to EN61029.

**EC Declaration of Conformity**

**We Makita Corporation as the responsible manufacturer declare that the following Makita machine(s):**

Designation of Machine: Band Saw

Model No./ Type: LB1200F

are of series production and

**Conforms to the following European Directives:**

2006/42/EC

And are manufactured in accordance with the following standards or standardised documents:

EN61029

The EC-Type Examination Certificate No. M6A 10 05 26932 017

The EC-Type Examination was performed by:

TÜV SÜD Product Service GmbH, Zertifizierstelle,  
 Ridlerstraße 65, 80339 München, Germany  
 Identification No. 0123

The technical documentation is kept by our authorised representative in Europe who is:

Makita International Europe Ltd.,  
 Michigan, Drive, Tongwell,  
 Milton Keynes, Bucks MK15 8JD, England

25. 05. 2010



Tomoyasu Kato  
 Director

Makita Corporation  
 3-11-8, Sumiyoshi-cho,  
 Anjo, Aichi, JAPAN



# FRANÇAIS (Instructions d'origine)

## Descriptif

1. Roue	25. Cadre	55. Boîtier de la scie
2. Couvercle supérieur	26. Poignée	56. Protège-lame inférieur
3. Interrupteur d'éclairage	27. Rondelle	57. Levier de déblocage rapide
4. Interrupteur	28. Boulon à tête creuse hexagonale	58. Roue inférieure de scie à ruban
5. Garde parallèle	29. Ressort à lames	59. Poulie du moteur
6. Couvercle inférieur	30. Orifice de fixation	60. Courroie d'entraînement
7. Poignée de transport	31. Orifice de positionnement	61. Poulie de la roue d'entraînement
8. Boîtier à poussière	32. Table	62. Environ 10 mm
9. Bouton (pour tensionner la lame)	33. Boulons hexagonaux	63. Bouton de verrouillage
10. Bouton (pour fixer la trappe supérieure du boîtier)	34. Tourillon	64. Bouton de réglage
11. Bouton (pour régler le guide-lame)	35. Broche	65. Palier-guide
12. Bouton (pour fixer le guide-lame)	36. Vis à oreilles	66. Boulon A
13. Guide-lame supérieur	37. Rail de guidage	67. Distance du palier-guide par rapport à la partie inférieure de la lame
14. Lame	38. Cache-interrupteur	68. Boulon C
15. Bouton (pour fixer la trappe inférieure du boîtier)	39. Interrupteur d'arrêt	69. Boulon B
16. Bouton (pour tensionner la courroie trapézoïdale)	40. Interrupteur de marche	70. Porte-palier
17. Courroie d'entraînement	41. MARCHE	71. Palier de butée
18. Support	42. Poussoir	72. Vis
19. Bandage	43. Guide d'onglet	73. Écrou
20. Levier de verrouillage (pour fixer l'inclinaison de la table)	44. Poignée de verrouillage	74. Grand collecteur d'ouverture
21. Port d'extraction de la poussière	45. Bouton	75. Petit collecteur d'ouverture
22. Levier (de déblocage rapide)	46. Bouton (A)	76. Petit collecteur de poussières (monté sur l'appareil principal)
23. Bouton (pour régler l'alignement de l'outil de coupe)	47. Barre d'appui	77. Grand collecteur de poussières (pour l'inversion du mouvement)
24. Poignée (pour régler l'inclinaison de la table)	48. Levier de verrouillage	78. Rail
	49. Support de barre d'appui	79. Butée
	50. Bouton (B)	80. Boulon hexagonal
	51. Serre-flan	
	52. Vis à oreilles	
	53. Protection anti-poussière	
	54. Lame	

## SPÉCIFICATIONS

Modèle	LB1200F	
Taille de la roue	305 mm	
Capacité de coupe max.	165 mm	
Vitesse à vide	Élevée	840 min <sup>-1</sup> (50 Hz) / 1 040 min <sup>-1</sup> (60 Hz)
	Faible	420 min <sup>-1</sup> (50 Hz) / 520 min <sup>-1</sup> (60 Hz)
Vitesse de coupe	Élevée	13,3 m/s (800 m/min) (50 Hz)/16,7 m/s (1 000 m/min) (60 Hz)
	Faible	6,7 m/s (400 m/min) (50 Hz)/8,3 m/s (500 m/min) (60 Hz)
Taille de la lame	Circonférence 2 240 mm x Largeur 6 mm, 13 mm, 16 mm	
Dimensions totales	615 mm x 775 mm x 1 600 mm	
Taille de la table	560 mm x 400 mm	
Poids net	81,2 kg	

- Étant donné l'évolution constante de notre programme de recherche et de développement, les spécifications contenues dans ce manuel sont sujettes à modification sans préavis.
- Les spécifications peuvent varier suivant les pays.
- Poids conforme à la procédure EPTA 01/2003

### Symboles

END215-2

Les symboles utilisés pour l'outil sont indiqués ci-dessous. Assurez-vous d'avoir bien compris leur signification avant d'utiliser l'outil.



..... Reportez-vous au manuel d'instructions.



..... Débranchez l'outil !



..... Portez des lunettes de sécurité.



..... N'approchez pas la main ou les doigts de la lame.



..... Pour les pays européens uniquement  
Ne pas jeter les appareils électriques dans les ordures ménagères !  
Conformément à la directive européenne 2002/96/EG relative aux déchets d'équipements électriques ou électroniques (DEEE), et à sa transposition dans la législation nationale, les appareils électriques doivent être collectés à part et être soumis à un recyclage respectueux de l'environnement.

### Utilisation conforme aux prescriptions

L'outil est conçu pour couper du bois.

## Alimentation

L'outil ne doit être raccordé qu'à une alimentation de la même tension que celle qui figure sur la plaque signalétique, et il ne peut fonctionner que sur un courant secteur monophasé. Réalisé avec une double isolation, il est conforme à la réglementation européenne et peut de ce fait être alimenté sans mise à la terre.

# CONSIGNES DE SÉCURITÉ

ENA001-2

**⚠ ATTENTION : lors de l'utilisation d'outils électriques, vous devez toujours prendre des précautions de sécurité élémentaires, dont les suivantes, pour réduire les risques d'incendie, de choc électrique et de blessure. Veuillez lire toutes les présentes instructions avant d'utiliser cet outil, et conservez-les.**

### Pour des utilisations sûres :

- 1. Maintenez l'aire de travail propre.**  
Les aires de travail et établis encombrés ouvrent la porte aux blessures.
- 2. Tenez compte de l'environnement de travail.**  
N'exposez pas les outils électriques à la pluie. N'utilisez pas les outils électriques dans les endroits humides ou mouillés. Maintenez un éclairage adéquat dans l'aire de travail. N'utilisez pas d'outils électriques là où ils risquent de causer un incendie ou une explosion.
- 3. Protégez-vous contre les chocs électriques.**  
Évitez tout contact corporel avec les surfaces mises à la terre (par exemple des tuyaux, radiateurs, cuisinières et réfrigérateurs).
- 4. Maintenez les enfants à l'écart.**  
Ne laissez pas les personnes présentes toucher l'outil ou le cordon prolongateur.  
Toute autre personne que l'utilisateur doit rester à l'écart de l'aire de travail.
- 5. Rangez les outils après utilisation.**  
Lorsqu'ils ne sont pas utilisés, les outils doivent être rangés dans un endroit sec, élevé ou verrouillé, hors de portée des enfants.
- 6. Ne forcez pas l'outil.**  
Il effectuera un travail de meilleure qualité et plus sûr s'il est utilisé au régime pour lequel il a été conçu.
- 7. Utilisez le bon outil.**  
Ne forcez jamais un petit outil ou accessoire à effectuer un travail trop exigeant pour lui. N'utilisez pas les outils à des fins pour lesquelles ils n'ont pas été conçus, comme par exemple une scie circulaire pour couper des branches d'arbre ou des rondins.
- 8. Portez des vêtements adéquats.**  
Ne portez ni vêtements amples, ni bijoux, car ils risqueraient de se coincer dans les pièces en mouvement. Des gants de caoutchouc et des chaussures à semelles antidérapantes sont recommandés pour les travaux effectués à l'extérieur. Portez un filet de protection pour envelopper les cheveux longs.
- 9. Portez des lunettes de sécurité et des protections d'oreilles.**  
Si le travail de coupe dégage de la poussière, portez également un écran facial ou un masque antipoussières.
- 10. Raccordez un appareil d'aspiration de la poussière.**  
Si des accessoires sont fournis pour le raccordement d'un appareil d'aspiration et de collecte de la poussière, assurez-vous de les raccorder et utiliser correctement.
- 11. Ne maltraitez pas le cordon.**  
Ne transportez jamais l'outil par son cordon et ne tirez pas sur le cordon pour le débrancher de la prise électrique. Maintenez

le cordon à l'écart de la chaleur, de l'huile et des objets à bords tranchants.

- 12. Fixez bien la pièce à travailler.**  
Fixez la pièce à travailler à l'aide de dispositifs de serrage ou d'un étau. Cela est plus sûr que l'utilisation de la main et ainsi vous aurez les deux mains libres pour utiliser l'outil.
- 13. Maintenez une bonne position.**  
Assurez-vous d'une bonne prise au sol et d'une bonne position d'équilibre à tout moment.
- 14. Prenez soin de vos outils.**  
Maintenez les outils tranchants bien aiguisés et propres pour assurer un fonctionnement sûr et une performance optimale. Suivez les instructions de lubrification et de changement des accessoires. Inspectez le cordon de l'outil régulièrement et faites-le réparer dans un centre de service agréé s'il est endommagé. Inspectez régulièrement les rallonges et remplacez-les si elles sont endommagées. Maintenez les poignées de l'outil sèches, propres et exemptes d'huile ou de graisse.
- 15. Débranchez les outils.**  
Lorsqu'ils ne sont pas utilisés, avant de les réparer et avant de changer les accessoires tels que les lames, forets et couteaux.
- 16. Retirez les clés et clés de réglage.**  
Prenez l'habitude de vous assurer que les clés et clés de réglage ont été retirées de l'outil avant de le mettre sous tension.
- 17. Évitez tout démarrage accidentel.**  
Ne transportez pas un outil branché en laissant un doigt sur sa gâchette. Assurez-vous que la gâchette est en position d'arrêt avant de brancher l'outil.
- 18. Utilisez des cordons prolongateurs conçus pour l'extérieur.**  
Lorsque vous faites fonctionner l'outil en extérieur, utilisez exclusivement des cordons prolongateurs conçus pour l'extérieur.
- 19. Restez attentif.**  
Soyez conscient de vos gestes. Faites preuve de bon sens. N'utilisez pas l'outil lorsque vous êtes fatigué.
- 20. Vérifiez si des pièces sont endommagées.**  
Avant de réutiliser l'outil, vous devez vérifier soigneusement l'absence de dommages sur le carter de protection ou toute autre pièce, afin de vous assurer qu'il fonctionnera correctement et pourra exécuter le travail pour lequel il a été conçu. Assurez-vous que les pièces en mouvement sont alignées et se déplacent librement, qu'aucune pièce n'est cassée, que les pièces sont correctement montées et qu'il n'y a aucune anomalie pouvant affecter le fonctionnement de l'outil. Un carter de protection ou toute autre pièce endommagée doit être correctement réparé(e) ou remplacé(e) par un centre de service agréé, sauf indication contraire dans le présent mode d'emploi. Les interrupteurs défectueux doivent être remplacés par un centre de service agréé. N'utilisez pas l'outil si l'interrupteur ne peut pas l'activer et le désactiver.
- 21. Mise en garde.**  
L'utilisation de tout accessoire ou pièce autre que ceux recommandés dans le présent mode d'emploi ou dans le catalogue peut comporter un risque de blessure.
- 22. Faites réparer votre outil par un technicien qualifié.**  
Cet outil électrique est conforme aux exigences de sécurité qui s'y appliquent. Les réparations doivent être confiées exclusivement à des techniciens qualifiés utilisant des pièces de rechange d'origine ; à défaut, il y a un risque élevé de danger pour l'utilisateur.

# CONSIGNES DE SÉCURITÉ ADDITIONNELLES POUR L'OUTIL

## CONSERVEZ CES INSTRUCTIONS.

1. Portez des lunettes de protection.
2. N'utilisez pas l'outil en présence de liquides ou gaz inflammables.
3. Utilisez toujours un écran facial ou un masque antipoussières.
4. Avant de commencer votre travail, vérifiez soigneusement l'absence de fissures ou de dommages sur la lame. Remplacez immédiatement toute lame fissurée ou endommagée.
5. N'utilisez que des lames de scie recommandées par le fabricant et conformes à la norme EN847-1.
6. Utilisez toujours les accessoires spécifiés dans ce manuel. L'utilisation d'accessoires inadéquats, tels que des meules à tronçonner abrasives, peut causer une blessure.
7. Sélectionnez les lames de scie correctes en fonction du type de matériau à couper.
8. N'utilisez pas les lames de scie en acier haute vitesse.
9. Pour réduire l'émission de bruit, assurez-vous toujours que la lame est bien aiguisée et propre.
10. Évitez de couper du métal tel que des clous et vis. Avant de procéder au travail, vérifiez la pièce pour en retirer les clous, vis et autres corps étrangers.
11. Avant de mettre le contact, retirez de la table les clés, bouts de pièce sciés, etc.
12. Ne portez JAMAIS de gants pendant l'utilisation de cet outil.
13. Gardez les mains hors de la ligne de coupe de la lame.
14. Ne vous placez JAMAIS dans la trajectoire de la lame et assurez-vous que personne ne s'y trouve.
15. Avant d'utiliser l'outil sur la pièce elle-même, laissez-le tourner un instant. Soyez attentif à toute vibration ou sautellement pouvant indiquer que la lame n'est pas bien installée ou qu'elle est mal équilibrée.
16. Remplacez l'insert de la table lorsqu'il est usé.
17. Lorsque vous sciez du bois avec une scie à ruban, raccordez cette dernière à un appareil de collecte des poussières.
18. N'utilisez pas la machine lorsque la trappe ou le carter de protection du ruban de la scie est ouvert(e).
19. Veillez à ce que le ruban de la scie et la vitesse sélectionnés soient adaptés au matériau à couper.
20. Ne procédez pas au nettoyage du ruban de la scie lorsqu'il est en mouvement.

## INSTALLATION (Fig. 1 et 2)

### Fixation du support de la scie à ruban

Si, pendant la coupe, la scie à ruban a tendance à basculer, glisser ou bouger, fixez son support au plancher. (Fig. 3 à 7)

- Après avoir installé le support, fixez la poignée et les bandages. (Fig. 8)

### Chargement du boîtier à poussière

Le boîtier à poussière doit être chargé depuis la partie inférieure de la scie circulaire. Lors du chargement, insérez le ressort à lames (pour la fixation) sur le bord interne de l'orifice de positionnement

de la machine, encastrez les deux butées du boîtier à poussière sur les rails, puis faites coulisser le ressort à lames vers l'extérieur. Lorsque le bord principal du ressort à lames de fixation s'insère dans l'orifice de fixation de la machine, le boîtier à poussière est chargé. (Fig. 9 et 10)

Fixez la table au tourillon à l'aide de quatre boulons hexagonaux. (Fig. 11)

La broche est insérée en usine, donc retirez-la. (Fig. 12)

### Installation du rail de guidage (Fig. 13)

- Attachez le rail de guidage à la table à l'aide de quatre vis à oreilles et rondelles.

## DESCRIPTION DU FONCTIONNEMENT

### Interrupteur (Fig. 14)

⚠ ATTENTION :

- Avant toute utilisation assurez-vous que l'outil est sous et hors tension

Pour ouvrir facilement le cache-interrupteur, faites le coulisser vers le haut.

Pour démarrer la scie, appuyez sur le bouton ON (MARCHE) (I).

Pour l'arrêter, appuyez sur le bouton OFF (ARRÊT) (O) ou sur le cache-interrupteur.

### Allumage des lampes

Appuyez sur la partie supérieure (I) de l'interrupteur pour allumer la lumière, et sur la partie inférieure (O) pour l'éteindre.

Pour mettre l'outil en marche, levez le levier de l'interrupteur.

(Fig. 15)

Pour l'arrêter, abaissez le levier.

### Poussoir (Fig. 16)

Le poussoir sert de prolongement de la main et protège l'utilisateur de tout contact accidentel avec la lame.

Vous devez toujours utiliser le poussoir si la distance entre la lame de scie à ruban et le garde parallèle est inférieure à 150 mm.

Guidez le poussoir selon un angle de 20° à 30° contre la surface de la table d'appui. (Fig. 17)

Lorsque vous n'utilisez pas le poussoir, vous pouvez le ranger sur son support situé au niveau du cadre de la scie à ruban.

Remplacez le poussoir s'il est endommagé.

### Guide d'onglet (Fig. 18)

Le guide d'onglet s'insère dans la fente de la table à partir du bord avant de celle-ci.

Pour les coupes à l'aide de l'onglet, le guide tourne à 60° dans les deux sens.

Des butées fixes sont prévues pour les onglets de 45° et 90°.

Pour définir l'angle d'un onglet, procédez comme suit : desserrez la poignée de verrouillage en la tournant dans le sens antihoraire.

⚠ ATTENTION :

**Lors de la coupe avec le guide d'onglet, serrez fermement la poignée de verrouillage.**

Vous pouvez retirer la barre d'appui auxiliaire et la retourner après avoir dévissé le bouton.

## Installation du garde parallèle (Fig. 19)

Le garde parallèle peut être utilisé des deux côtés de la lame. Si vous déplacez le garde parallèle d'un côté de la lame vers l'autre côté, vous devez retourner la barre d'appui.

## Retournement de la barre d'appui (Fig. 20)

1. Dévisser le bouton (B) du serre-flan.
2. Désolidarisez le serre-flan de la barre d'appui.
3. Dévissez le bouton (A).
4. Soulevez la barre d'appui pour la retirer de son support.
5. Retournez la barre d'appui et faites-la à nouveau coulisser sur son support.
6. Serrez le bouton (A).
7. Faites coulisser le serre-flan sur la barre d'appui.

## Fixation du garde parallèle

1. Placez le garde parallèle sur le rail de guidage.
2. Serrez le levier de verrouillage du garde parallèle.
3. Dévisser le bouton (B) du serre-flan.
4. Faites coulisser le serre-flan contre le bord arrière de la table.
5. Serrez le bouton (B).

Vous pouvez diminuer la hauteur de la barre d'appui lorsque vous découpez des matériaux de faible épaisseur. (Fig. 21 et 22)

1. Dévisser le bouton (B) du serre-flan.
2. Désolidarisez le serre-flan de la barre d'appui.
3. Dévissez le bouton (A).
4. Soulevez la barre d'appui pour la retirer de son support.
5. Faites coulisser le bouton (A) en dehors de la barre d'appui pour le retirer.
6. Faites pivoter la barre d'appui à 90°.
7. Insérez le bouton (A) dans l'autre rainure de la barre d'appui.
8. Remplacez la barre d'appui sur son support.
9. Serrez le bouton (A).
10. Faites coulisser le serre-flan sur la barre d'appui.

Le fait de diminuer la hauteur de la barre d'appui entraîne la modification du point 0 (zéro). Si le garde parallèle se trouve du côté gauche de la lame, faites coulisser le rail de guidage vers la gauche pour le régler sur le point 0.

# ASSEMBLAGE

## Remplacement de la lame de scie à ruban

### ⚠ ATTENTION :

- Vous risquez de vous blesser si vous touchez la lame de scie à ruban, même lorsqu'elle est à l'arrêt.
- La lame de scie est dangereuse.

Veillez à porter des gants lorsque vous manipulez la lame de scie, par exemple pour la retirer de son emballage, l'installer ou remplacer la lame.

1. Dévissez les deux vis à oreilles du rail de guidage de droite et faites coulisser le rail côté droit vers la droite. (Fig. 23)
2. Ouvrez les couvercles supérieur et inférieur de l'outil. (Fig. 24)
3. Tenez la poignée et tirez la protection anti-poussière vers le haut pour la retirer. (Fig. 25)
4. Ouvrez le protège-lame inférieur. (Fig. 26)
5. Réglez le guide-lame supérieur en position minimale.
6. Desserrez le levier de déblocage rapide jusqu'à ce que la lame de scie à ruban se détende. (Fig. 27)
7. Pour retirer la lame de scie à ruban, guidez-la le long :
  - de la fente de la lame,
  - du protège-lame sur les guide-lames supérieurs.

- du couvercle de protection de la lame sur le boîtier de la scie.

8. Installez une lame de scie à ruban neuve. Positionnez-la correctement : les dents sont orientées vers le côté avant (la trappe) de la scie.
9. Centrez la lame de la scie à ruban sur les bandages en caoutchouc des roues de la scie à ruban.
10. Serrez le levier de déblocage rapide jusqu'à ce que la lame ne glisse plus des roues de la scie à ruban.
11. Fermez le protège-lame inférieur.

### ⚠ ATTENTION :

Fermez le couvercle inférieur uniquement lorsque le protège-lame inférieur est en position fermée.

12. Remettez le rail de guidage de droite sur sa position initiale. (Fig. 28 et 29)
13. Installez la protection anti-poussière.
14. Fermez les deux couvercles.
15. Ensuite :
  - tensionnez la lame de scie à ruban (reportez-vous à la section intitulée « Tensionnage de la lame de scie à ruban » dans « DESCRIPTION DU FONCTIONNEMENT »).
  - alignez la lame de scie à ruban (reportez-vous à la section intitulée « Alignement de la lame de scie à ruban » dans « ASSEMBLAGE »).
  - alignez les guide-lames (reportez-vous à la section intitulée « Réglage du guide-lame supérieur » dans « DESCRIPTION DU FONCTIONNEMENT »).
  - faites fonctionner la scie à des fins de test pendant au moins une minute ;
  - arrêtez la scie, débranchez-la et vérifiez à nouveau les réglages.

## Réglage de la vitesse de coupe (Fig. 30)

1. Ouvrez le couvercle inférieur.
2. Détendez la courroie d'entraînement en tournant le bouton dans le sens horaire.
3. Placez la courroie d'entraînement sur la poulie souhaitée de la roue d'entraînement (roue inférieure de la scie à ruban) et l'étiquette relative à la poulie du moteur correspondante à l'intérieur du couvercle inférieur.

### ⚠ ATTENTION :

La courroie d'entraînement doit tourner sur les deux poulies avant ou sur les deux poulies arrière. Ne faites jamais tourner la courroie trapézoïdale en diagonale.

## Réglage du bouton pour le tensionnage de la courroie (Fig. 31)

Au besoin, vous pouvez corriger le tensionnage de la courroie à l'aide du bouton de réglage :

- tournez le bouton de réglage dans le sens horaire pour diminuer le tensionnage de la courroie d'entraînement,
- tournez le bouton de réglage dans le sens antihoraire pour augmenter le tensionnage de la courroie d'entraînement,

Pour serrer à nouveau la courroie d'entraînement, tournez le bouton dans le sens antihoraire (à mi-course entre les poulies, la courroie d'entraînement doit être pliée sur environ 10 mm).

### (Fig. 32)

Fermez le couvercle inférieur.

# DESCRIPTION DU FONCTIONNEMENT

## Tensionnage de la lame de scie à ruban (Fig. 33)

### ⚠ ATTENTION :

**Un tensionnage trop important peut provoquer la cassure de la lame de scie à ruban. Un tensionnage trop faible peut entraîner le glissement de la roue d'entraînement de la scie à ruban et l'arrêt de la lame de scie à ruban.**

1. Soulevez entièrement le guide-lame supérieur.  
Utilisez l'échelle comme guide et tenez compte de la largeur de la lame au moment de tourner le bouton afin de régler la tension. (Après avoir procédé au réglage, vérifiez la tension, comme décrit au point n°2).
2. Vérification du tensionnage de la lame :
  - vérifiez le tensionnage en appuyant avec un doigt, à mi-course entre la table et le guide-lame supérieur, contre le côté de la lame (la lame ne doit pas se courber de plus de 1 ou 2 mm).
  - vérifiez le réglage au niveau de l'indicateur de tensionnage de la lame. L'échelle indique le réglage correct par rapport à la largeur de la lame de scie à ruban.
3. Au besoin, corrigez le tensionnage :
  - tournez le bouton de réglage dans le sens horaire pour augmenter le tensionnage de la lame.
  - tournez le bouton de réglage dans le sens antihoraire pour diminuer le tensionnage de la lame.

## Alignement de la lame de scie à ruban (Fig. 34)

Si la lame de scie à ruban ne pénètre pas au centre des bandages en caoutchouc, vous devez corriger l'alignement en ajustant l'inclinaison de la roue supérieure de la scie à ruban :

1. Desserrez le bouton de verrouillage.
2. Faites pivoter manuellement la roue supérieure, en veillant à ne pas toucher la lame.
3. Tournez le bouton de réglage dans le sens horaire si la lame de la scie à ruban fonctionne vers l'avant de la scie.
  - Tournez le bouton de réglage dans le sens antihoraire si la lame de la scie à ruban fonctionne vers l'arrière de la scie.
4. Après avoir procédé au réglage, fermez toujours le bouton de verrouillage. (Fig. 35)

## Levier de déblocage rapide (Fig. 36)

Le levier de déblocage rapide permet de débloquer le tensionnage de la lame.

Dans le sens horaire : le tensionnage diminue

Dans le sens antihoraire : le tensionnage augmente

## Réglage du guide-lame supérieur (Fig. 37)

La hauteur du guide-lame supérieur doit être ajustée : avant chaque coupe/opération, pour contenir la hauteur de la pièce à travailler (le guide-lame supérieur doit être réglé environ 3 mm au-dessus de la pièce à travailler) ;

- après avoir réglé la lame de scie à ruban ou la table d'appui (par exemple, après avoir modifié la lame de scie à ruban, tensionné la lame de scie à ruban, aligné la table d'appui).

### ⚠ ATTENTION :

Avant de procéder au réglage du guide-lame supérieur et à l'inclinaison de la table d'appui :

- mettez la machine hors tension ;
- attendez que la lame de scie à ruban se soit arrêtée complètement.

- Réglez le guide-lame supérieur à l'aide du bouton de réglage selon la hauteur désirée en desserrant le bouton de verrouillage. Une fois le réglage terminé, veillez à serrer l'écrou de verrouillage.
  - Ne coupez jamais plusieurs pièces à la fois, ni de lot comprenant plusieurs pièces. Il y a risque de blessure si des pièces sont happées par la lame de scie non contrôlée.
1. Dévissez le boulon C et réglez le support de roulement, de sorte que le palier-guide se situe à 1 ou 2 mm de la partie inférieure de la lame. (Fig. 38 à 40)
  2. Dévissez le boulon A et réglez le roulement de butée à 0,5 mm de l'arrière de la lame.
  3. Dévissez le boulon B et réglez le palier-guide à 0,5 mm de la lame.

## Alignez le guide-lame inférieur (Fig. 41)

Le guide-lame inférieur est composé des éléments suivants :

- un palier de butée (supportant la lame de scie à ruban depuis l'arrière).

- deux palier-guides (procurant un support latéral).

Ces pièces doivent de nouveau être ajustées après chaque changement de lame ou réglage de l'alignement :

### Remarque :

Vérifiez régulièrement l'usure des paliers de butée et des palier-guides ; au besoin, remplacez les deux palier-guides simultanément.

- Ouvrez la trappe du couvercle inférieur et le protège-lame inférieur.
- Dévissez le boulon hexagonal, déplacez l'ensemble du guide-lame inférieur et réglez le palier-guide à la position 1 ou 2 mm depuis la partie inférieure de chaque lame.

## Réglage du palier de butée

1. Dévissez le boulon A.
2. Réglez la position du palier de butée (distance entre le palier de butée et la lame de scie à ruban = 0,5 mm — si la lame de scie à ruban est tournée à la main, elle ne doit pas toucher le palier de butée).
3. Serrez le boulon A.

## Réglage des palier-guides (Fig. 42)

1. Dévissez le boulon B.
2. Réglez le palier-guide contre la lame de scie à ruban.
3. Tournez plusieurs fois la roue de la scie à ruban à la main dans le sens horaire afin d'amener les palier-guides à la bonne position. Dévissez le boulon A et réglez le roulement de butée à 0,5 mm de l'arrière de la lame. Les deux palier-guides doivent SEULEMENT TOUCHER la lame de scie à ruban.
4. Serrez à nouveau le boulon B.
5. Fermez le protège-lame inférieur.
6. Fermez la trappe du couvercle inférieur.

## Alignement de la table d'appui à angle droit et de la lame de scie à ruban (Fig. 43 et 44)

1. Soulevez entièrement le guide-lame supérieur (voir « Fonctionnement »).
2. Vérifiez le tensionnage de la lame de scie à ruban (voir « DESCRIPTION DU FONCTIONNEMENT »).  
Tournez la poignée dans le sens horaire afin d'incliner la table dans le sens antihoraire, et tournez la poignée dans le sens antihoraire pour incliner la table dans le sens horaire.
3. Desserrez le levier de verrouillage.

4. À l'aide d'une équerre de menuisier, réglez la table à angles droits par rapport à la lame en tournant la poignée afin d'ajuster la table et serrez à nouveau le levier de verrouillage.
5. Réglez la vis de butée de fin de course jusqu'à ce qu'elle touche le boîtier de la scie.

## Fonctionnement (Fig. 45 et 46)

### ⚠ Danger :

**Pour réduire au maximum les risques de blessures, respectez les recommandations de sécurité suivantes lors du fonctionnement de la scie.**

### ⚠ ATTENTION :

- Ne touchez pas la lame de scie pendant la coupe.
- Pendant l'opération de coupe, portez des lunettes de protection mais ne portez pas de gants.
- Coupez une seule pièce à la fois.
- Tenez toujours la pièce à travailler posée sur la table.
- Ne bourrez pas la machine.
- N'essayez pas de ralentir la lame de scie à ruban ou de l'arrêter en appuyant la pièce à travailler contre la lame de scie depuis le côté.
- En cas de coupe droite contre le garde parallèle, utilisez un poussoir.
- Si le type de travail l'exige, utilisez les éléments suivants :
  - un poussoir — si la distance entre le garde parallèle et la lame de scie à ruban est  $\leq 150$  mm ;
  - une table de support de pièce — pour les objets de grande longueur, qui risqueraient de tomber de la table à la fin de la coupe ;
  - un collecteur de poussière ;
  - lors de la découpe d'une barre ronde, fixez solidement le matériau, comme illustré sur le schéma.
  - un guide adapté pour un bon soutien lors de la découpe de pièces fines posées sur le bord.
  - des gants pour manipuler la lame de scie et les matériaux à l'état brut.
- Avant de commencer à travailler, vérifiez que les composants suivants sont en bon état de fonctionnement :
  - la lame de scie à ruban ;
  - le protège-lame supérieur et inférieur.
- Remplacez immédiatement toute pièce endommagée.
- Adoptez une bonne position de travail (les dents de la lame de scie à ruban doivent être orientées vers l'opérateur).

## Sciage

### ⚠ ATTENTION :

Risque de rebond (la pièce à travailler est happée par la lame de scie à ruban et projetée contre l'opérateur).

Ne bourrez pas la machine.

- Choisissez le garde parallèle et l'inclinaison de la table en fonction du type d'opération de coupe à effectuer.
- Réglez le guide-lame supérieur 3 mm au-dessus de la pièce à travailler.

### Remarque :

effectuez toujours une coupe d'essai dans une chute de matériau afin de vérifier les réglages ; au besoin, corrigez-les avant de couper la pièce à travailler.

- Placez la pièce à travailler sur la lame.
- Branchez l'appareil.
- Démarrez la scie.
- Coupez la pièce à travailler en une seule passe.
- Mettez la machine hors tension si vous devez pas effectuer immédiatement d'autre découpe.

- Utilisez une deuxième table vendue séparément.

## Inclinaison de la table d'appui (Fig. 47)

### ⚠ ATTENTION :

Lors d'une coupe en biseau avec la table inclinée, placez le guide sur la partie inférieure de la table.

Après avoir desserré le levier de verrouillage, la table d'appui s'incline en continu jusqu'à 47° contre la lame.

Tournez la poignée dans le sens horaire afin d'incliner la table dans le sens antihoraire, et tournez la poignée dans le sens antihoraire pour incliner la table dans le sens horaire.

## Raccordement à un aspirateur (Fig. 48 et 49)

Des opérations plus propres peuvent être mises en œuvre en raccordant l'outil à l'aspirateur ou un collecteur de poussières de Makita.

Si vous installez un extracteur de poussière au niveau du grand collecteur d'ouverture, assurez-vous qu'il possède une grande ouverture.

## Déplacement de la machine (Fig. 50)

- Soulevez la poignée afin de permettre le mouvement de la machine.
- Pendant le transport, le carter du ruban de la scie doit être complètement abaissé et proche de la table.
- N'utilisez pas de carter pour manipuler ou transporter l'outil.

### ⚠ ATTENTION :

- Si vous soulevez trop la poignée, la machine risque de basculer.

## ENTRETIEN

### ⚠ ATTENTION :

- Assurez-vous toujours que l'outil est hors tension et débranché avant d'y effectuer tout travail d'inspection ou d'entretien.

### NOTE :

- N'utilisez jamais d'essence, de benzine, de diluant, d'alcool ou de produit similaire. Ces produits risquent de provoquer des décolorations, des déformations ou des fissures.

### Nettoyage

Nettoyez la sciure et les copeaux de temps en temps. Nettoyez soigneusement le protège-lame et les parties mobiles à l'intérieur de la scie à ruban.

### Lubrification

Pour garder la scie à ruban en condition de fonctionnement et assurer une durée de service maximum, huilez ou graissez les parties mobiles et rotatives de temps en temps.

Pour réduire le bruit, assurez-vous toujours que la lame est affûtée et propre.

Pour maintenir la SÉCURITÉ et la FIABILITÉ du produit, les réparations, ainsi que tout autre travail d'entretien ou de réglage doivent être effectués dans un centre de service Makita agréé, exclusivement avec des pièces de rechange Makita.

## ACCESSOIRES

### ⚠ ATTENTION :

- Ces accessoires ou pièces complémentaires sont recommandés pour être utilisés avec l'outil Makita spécifié dans ce mode d'emploi. L'utilisation de tout autre accessoire ou pièce

complémentaire peut comporter un risque de blessure. N'utilisez les accessoires ou pièces qu'aux fins auxquelles ils ont été conçus. Pour obtenir plus de détails sur ces accessoires, contactez votre Centre de service local Makita.

- Support de la scie à ruban
- Clé hexagonale
- Garde parallèle
- Guide d'onglet
- Fixation de l'accessoire de coupe circulaire
- Table à rallonges
- Fixation de la ponceuse à bande

#### **Pour l'Europe uniquement**

##### **Bruit**

Les niveaux de bruit pondéré A typiques sont les suivants :

niveau de pression sonore : 81 dB (A)

niveau de puissance sonore : 94 dB (A)

Incertitude (K) : 3 dB (A)

##### **Portez des protections auditives.**

Ces valeurs ont été obtenues selon la norme EN61029.

##### **Déclaration de conformité CE**

**Nous, Makita Corporation, en tant que fabricant responsable, déclarons que les machines Makita suivantes :**

Nom de la machine : Scie à ruban

N° de modèle/Type : LB1200F

sont fabriquées en série et

**sont conformes aux directives européennes suivantes :**

2006/42/CE

et sont produites conformément aux normes ou documents de normalisation suivants :

EN61029

N° de l'attestation d'inspection de type CE : M6A 10 05 26932 017

L'inspection de type CE a été réalisée par :

TÜV SÜD Product Service GmbH, Zertifizierstelle,

Ridlerstraße 65, 80339 München, Allemagne

N° d'identification 0123

La documentation technique est disponible auprès de notre représentant en Europe qui est :

Makita International Europe Ltd.,

Michigan, Drive, Tongwell,

Milton Keynes, Bucks MK15 8JD, Angleterre

25. 05. 2010



Tomoyasu Kato

Directeur

Makita Corporation

3-11-8, Sumiyoshi-cho,

Anjo, Aichi, JAPAN

# DEUTSCH (Originalanweisungen)

## Erklärung der Gesamtdarstellung

1. Rolle	26. Griff	55. Sägebandgehäuse
2. Oberer Abdeckung	27. Unterlegscheibe	56. Untere Sägebandabdeckung
3. Schalter für Beleuchtung	28. Innensechskantschraube	57. Hebel für Schnellentspannung
4. Schalter	29. Blattfeder	58. Untere Sägebandrolle
5. Parallelanschlag	30. Öffnung für Arretierung	59. Riemenscheibe am Motor
6. Unterer Abdeckung	31. Positionierungsöffnung	60. Antriebsriemen
7. Tragegriff	32. Tisch	61. Riemenscheibe der Antriebsrolle
8. Sägemehlbehälter	33. Sechskantschrauben	62. Ca. 10 mm
9. Einstellrad (für Sägebandspannung)	34. Kipplager	63. Feststellknäuf
10. Drehverschluss (Gehäusetür oben)	35. Stift	64. Einstellknäuf
11. Einstellrad (zur Einstellung der Sägebandführung)	36. Flügelschraube	65. Führungsrolle
12. Einstellrad (zur Sicherung der Sägebandführung)	37. Führungsschiene	66. Bolzen A
13. Obere Sägebandführung	38. Schalterabdeckung	67. Abstand der Führungsrolle von der Rückseite des Sägebands
14. Sägeband	39. AUS-Schalter	68. Bolzen C
15. Drehverschluss (Gehäusetür unten)	40. EIN-Schalter	69. Bolzen B
16. Einstellrad (für Spannung Keilriemen)	41. ON (EIN)	70. Rollenhalter
17. Antriebsriemen	42. Schiebstock	71. Stützrolle
18. Ständer	43. Gehrungslehre	72. Schraube
19. Rad	44. Arretierhebel	73. Mutter
20. Arretierhebel (Tischneigung)	45. Knäuf	74. Sammler mit großer Öffnung
21. Anschluss für Absaugung	46. Knäuf (A)	75. Sammler mit kleiner Öffnung
22. Hebel (für Schnellentspannung des Sägebands)	47. Anschlag	76. Kleiner Staubsammler (am Hauptgerät montiert)
23. Einstellrad (für Sägebandführung)	48. Arretierhebel	77. Großer Staubsammler (zum Umschalten)
24. Handgriff (zum Einstellen der Tischneigung)	49. Anschlaghalter	78. Schiene
25. Rahmen	50. Knäuf (B)	79. Ansatz
	51. Halteklemme	80. Sechskantschraube
	52. Flügelschrauben	
	53. Staubschutz	
	54. Sägeband	

## TECHNISCHE DATEN

Modell	LB1200F	
Durchmesser Sägebandrollen	305 mm	
Max. Schnitthöhe	165 mm	
Leerlaufdrehzahl	Hoch	840 min <sup>-1</sup> (50 Hz) / 1.040 min <sup>-1</sup> (60 Hz)
	Niedrig	420 min <sup>-1</sup> (50 Hz) / 520 min <sup>-1</sup> (60 Hz)
Schneidgeschwindigkeit	Hoch	13,3 m/s (800 m/min) (50 Hz)/16,7 m/s (1.000 m/min) (60 Hz)
	Niedrig	6,7 m/s (400 m/min) (50 Hz)/8,3 m/s (500 m/min) (60 Hz)
Maße Sägeband	Umfang 2.240 mm x Breiten 6 mm, 13 mm, 16 mm	
Gesamtabmessungen	615 mm x 775 mm x 1.600 mm	
Maße Sägetisch	560 mm x 400 mm	
Nettogewicht	81,2 kg	

- Aufgrund unserer fortschreitenden Forschungen und Entwicklungen sind Änderungen an den hier wiedergegebenen Angaben ohne Vorankündigung vorbehalten.
- Die Technischen Daten können in den einzelnen Ländern voneinander abweichen.
- Gewicht entsprechend EPTA-Verfahren 01/2003

### Symbole

END215-2

Im Folgenden sind die Symbole dargestellt, die im Zusammenhang mit dem Werkzeug verwendet werden. Machen Sie sich vor der Benutzung des Werkzeugs unbedingt mit diesen Symbolen vertraut!



..... Lesen Sie die vorliegende Betriebsanleitung.



..... Ziehen Sie den Netzstecker heraus.



..... Tragen Sie eine Schutzbrille.



..... Halten Sie Hände und Finger vom Sägeblatt fern.



..... Nur für EU-Länder

Werfen Sie Elektrowerkzeuge nicht in den Hausmüll!  
Gemäß Europäischer Richtlinie 2002/96/EG über Elektro- und Elektronik- Altgeräte und Umsetzung in nationales Recht müssen verbrauchte Elektrowerkzeuge getrennt gesammelt und einer umweltgerechten Wiederverwertung zugeführt werden.

### Verwendungszweck

Das Werkzeug wurde für das Schneiden in Holz entwickelt.

### Stromversorgung

Das Werkzeug darf nur an eine einphasige Wechselstromversorgung mit der auf dem Typenschild



angegebenen Spannung angeschlossen werden. Das Werkzeug ist nach europäischem Standard doppelt isoliert und darf daher auch an Steckdosen ohne Schutzleiter betrieben werden.

## ALLGEMEINE SICHERHEITSHINWEISE

ENA001-2

**⚠ WARNUNG: Um Brände, Stromschläge und Personenschäden zu vermeiden, sind bei der Verwendung elektrischer Werkzeuge stets grundlegende Sicherheitshinweise zu beachten, zu denen auch die im Folgenden genannten gehören. Lesen Sie vor der Inbetriebnahme dieses Produkts alle Anweisungen durch, und bewahren Sie diese auf.**

**Zur Gewährleistung eines sicheren Betriebs gilt Folgendes:**

**1. Halten Sie den Arbeitsbereich stets sauber und aufgeräumt.**

Bei unaufgeräumten Arbeitsbereichen und Werkbänken erhöht sich die Gefahr von Verletzungen.

**2. Sorgen Sie für ein geeignetes Arbeitsumfeld.**

Elektrowerkzeuge dürfen nicht im Regen ausgesetzt werden. Elektrowerkzeuge dürfen nicht an feuchten oder nassen Orten verwendet werden. Achten Sie auf eine ausreichende Beleuchtung des Arbeitsbereichs. Elektrowerkzeuge dürfen nicht an Orten verwendet werden, an denen Brand- oder Explosionsgefahr besteht.

**3. Schützen Sie sich vor einem Stromschlag.**

Vermeiden Sie Körperkontakt mit geerdeten Oberflächen wie Rohren, Kühlern, Heiz- und Kühlelementen.

**4. Halten Sie Kinder fern.**

Lassen Sie nicht zu, dass andere Personen das Werkzeug oder Verlängerungskabel berühren. Andere Personen dürfen sich nicht im Arbeitsbereich aufhalten.

**5. Räumen Sie nicht verwendete Werkzeuge weg.**

Nicht verwendete Werkzeuge müssen an einem trockenen, unzugänglichen oder abgesperrten Ort außerhalb der Reichweite von Kindern aufbewahrt werden.

**6. Üben Sie keinen übermäßigen Druck auf das Werkzeug aus.**

Sie erzielen ein besseres und sichereres Ergebnis, wenn das Werkzeug im angegebenen Leistungsbereich betrieben wird.

**7. Verwenden Sie das geeignete Werkzeug.**

Versuchen Sie nicht, leistungsschwache Geräte, Werkzeuge oder Anbauteile für Arbeiten zu verwenden, für die ein Werkzeug mit höherer Leistung und Belastbarkeit erforderlich ist. Verwenden Sie Werkzeuge nur für Zwecke, für die sie entwickelt wurden; Sie dürfen beispielsweise keine Kreissäge zum Sägen von Baumstümpfen oder -stämmen verwenden.

**8. Tragen Sie geeignete Kleidung.**

Tragen Sie keine weiten Kleidungsstücke oder Schmuck, da sich diese in beweglichen Teilen des Werkzeugs verfangen können. Bei der Arbeit im Freien wird die Verwendung von Gummihandschuhen und rutschsicherem Schuhwerk empfohlen. Bedecken Sie langes Haar mit einer geeigneten Kopfbedeckung.

**9. Tragen Sie Schutzbrille und Gehörschutz.**

Tragen Sie darüber hinaus eine Gesichts- oder Staubschutzmaske, wenn beim Sägen Staub oder Späne anfallen.

**10. Schließen Sie eine Absaugvorrichtung für Staub an.**

Falls Geräte zum Absaugen und Sammeln von Staub

vorhanden sind, schließen Sie diese an und verwenden Sie diese Geräte ordnungsgemäß.

**11. Verwenden Sie das Netzkabel niemals zweckentfremdet.**

Tragen Sie das Werkzeug niemals am Kabel, und ziehen Sie nicht am Kabel, um den Stecker aus der Steckdose zu ziehen. Halten Sie das Kabel von Hitze, Öl und scharfen Gegenständen und Kanten fern.

**12. Achten Sie auf eine sichere Befestigung des Werkstücks.**

Sichern Sie das Werkstück mit Hilfe von Zwingen oder mit Hilfe eines Schraubstocks. Diese Methode ist sicherer als das Festhalten des Werkstücks mit der Hand. Darüber hinaus haben Sie beide Hände für die Bedienung des Werkzeugs frei.

**13. Beugen Sie sich nicht zu weit vor.**

Achten Sie jederzeit auf sicheren Stand und sicheres Gleichgewicht.

**14. Warten Sie Werkzeuge sorgfältig.**

Achten Sie auf scharfe und saubere Schneidwerkzeuge, damit die Leistung optimal genutzt wird und die Bedienung sicher ist. Befolgen Sie die Anweisungen hinsichtlich Schmiermittel und Austauschzubehör. Überprüfen Sie das Werkzeugkabel in regelmäßigen Abständen. Lassen Sie es im Fall einer Beschädigung von entsprechend autorisiertem Fachpersonal reparieren. Überprüfen Sie Verlängerungskabel in regelmäßigen Abständen, und tauschen Sie diese im Fall einer Beschädigung aus. Achten Sie darauf, dass die Griffe trocken, sauber und frei von Öl und Schmiermittel sind.

**15. Trennen Sie Werkzeuge von der Stromversorgung.**

Dies gilt bei Nichtgebrauch, vor der Wartung und beim Austausch von Zubehörteilen wie Sägeblättern, Meißeln und Schneideinsätzen.

**16. Entfernen Sie alle Spannschlüssel und alle sonstigen Schlüssel vom Werkzeug.**

Machen Sie es sich zur Gewohnheit, zu überprüfen, ob alle Spannschlüssel und sonstigen Schlüssel vom Werkzeug entfernt wurden, bevor Sie das Werkzeug einschalten.

**17. Sorgen Sie dafür, dass das Werkzeug nicht versehentlich eingeschaltet werden kann.**

Nehmen Sie den Finger vom Einschalter des Werkzeugs, wenn Sie ein an der Stromversorgung angeschlossenes Werkzeug tragen. Vergewissern Sie sich, dass der Schalter ausgeschaltet ist, bevor Sie das Werkzeug an die Stromversorgung anschließen.

**18. Verwenden Sie Verlängerungskabel, die für den Gebrauch im Freien zugelassen sind.**

Verwenden Sie nur Verlängerungskabel, die für den Gebrauch im Freien zugelassen sind, wenn Sie das Werkzeug im Freien nutzen.

**19. Seien Sie stets aufmerksam.**

Achten Sie auf jeden Ihrer Schritte. Verwenden Sie Ihren gesunden Menschenverstand. Bedienen Sie das Werkzeug nicht, wenn Sie übermüdet sind.

**20. Überprüfen Sie Bauteile auf Beschädigung.**

Vor der weiteren Verwendung des Werkzeugs muss überprüft werden, ob eine beschädigte Schutzvorrichtung oder ein sonstiges beschädigtes Teil noch ordnungsgemäß funktioniert und den beabsichtigten Zweck erfüllt. Überprüfen Sie Ausrichtung und Freigängigkeit beweglicher Teile sowie die Teile und Befestigungen auf Beschädigungen und alle anderen Umstände, die eine ordnungsgemäße Funktion beeinträchtigen können. Sofern in dieser Bedienungsanleitung nicht anders angegeben ist, müssen beschädigte Schutzvorrichtungen und sonstige beschädigte Teile durch entsprechend autorisiertes Fachpersonal ordnungsgemäß repariert oder ausgetauscht werden. Lassen Sie defekte Schalter durch entsprechend autorisiertes Fachpersonal

reparieren. Verwenden Sie das Werkzeug nicht, wenn es sich nicht mit dem Schalter ein- und ausschalten lässt.

#### 21. **Warnung**

Wenn Sie andere als in dieser Bedienungsanleitung oder im Katalog empfohlene Zubehörteile oder Anbauteile verwenden, besteht die Gefahr von Personenschäden.

#### 22. **Lassen Sie Werkzeuge ausschließlich von qualifiziertem Fachpersonal reparieren.**

Dieses Elektrowerkzeug entspricht den gültigen Sicherheitsvorschriften. Reparaturen dürfen ausschließlich von qualifiziertem Fachpersonal unter Verwendung von Originalersatzteilen vorgenommen werden. Andernfalls besteht eine erhebliche Gefährdung des Benutzers.

## **SPEZIELLE SICHERHEITSHINWEISE ZU DIESEM WERKZEUG**

### **BEWAHREN SIE DIESE ANLEITUNG SORGFÄLTIG AUF.**

1. **Tragen Sie während der Arbeit stets eine Schutzbrille.**
2. **Betreiben Sie dieses Werkzeug nicht in der Nähe leicht entzündlicher Flüssigkeiten oder Gase.**
3. **Tragen Sie immer einen Mundschutz oder eine Staubmaske.**
4. **Überprüfen Sie das Sägeband vor Gebrauch sorgfältig auf Risse oder sonstige Beschädigungen. Wechseln Sie ein Sägeband mit Rissen oder sonstigen Beschädigungen unverzüglich aus.**
5. **Verwenden Sie ausschließlich die vom Hersteller empfohlenen Sägebänder, die der Norm EN847-1 entsprechen.**
6. **Verwenden Sie nur die in dieser Anleitung empfohlenen Zubehörteile. Die Verwendung ungeeigneter Zubehörteile, wie z.B. Trennschleifscheiben, kann zu Verletzungen führen.**
7. **Wählen Sie ein für das zu schneidenden Material geeignetes Sägeband aus.**
8. **Verwenden Sie keine Sägebänder aus HSS-Stahl.**
9. **Achten Sie darauf, dass das Sägeband immer scharf und sauber ist, um den Schallpegel niedrig zu halten.**
10. **Schneiden Sie keine Metallgegenstände wie Nägel oder Schrauben. Untersuchen Sie das Werkstück auf Nägel, Schrauben und andere Fremdmaterialien, und entfernen Sie diese ggf. vor Arbeitsbeginn.**
11. **Entfernen Sie Schraubenschlüssel, Sägeabfälle usw. vom Tisch, bevor Sie das Werkzeug einschalten.**
12. **Tragen Sie während des Betriebs NIEMALS Handschuhe.**
13. **Halten Sie Ihre Hände vom Sägeband fern.**
14. **Stehen Sie NIEMALS in Schnittrichtung des Sägebands und halten Sie alle Personen aus diesem Bereich fern.**
15. **Lassen Sie das Werkzeug erst einige Zeit ohne Last hochlaufen, bevor Sie das zu bearbeitende Werkstück an das Werkzeug ansetzen. Achten Sie auf Vibrationen und Schlagen; diese Phänomene können auf ein beschädigtes oder nicht fachgerecht eingebautes Sägeband hindeuten.**
16. **Tauschen Sie einen verschlissenen Tischeinsatz aus.**
17. **Schließen Sie die Bandsäge beim Sägen von Holz an eine Staubabsaugvorrichtung an.**
18. **Betreiben Sie die Maschine nicht, wenn die Tür oder der Sägebandschutz geöffnet ist.**
19. **Achten Sie darauf, dass die Auswahl des Sägebandes und die Geschwindigkeit vom zu schneidenden Material abhängen.**

#### **20. Reinigen Sie das Sägeband ausschließlich bei Stillstand.**

## **INSTALLATION (Abb. 1 und 2)**

### **Sichern des Maschinenständers**

Wenn die Bandsäge während des Betriebs dazu neigt, zu kippen, zu rutschen oder sich zu bewegen, muss der Maschinenständer der Bandsäge am Fussboden gesichert werden. **(Abb. 3 bis 7)**

- Bringen Sie nach der Befestigung des Maschinenständers den Griff und die Räder an. **(Abb. 8)**

### **So befestigen Sie den Sägemehlbehälter**

Der Sägemehlbehälter wird an die Unterseite des Sägebühnen befestigt. Setzen Sie dazu die Tellerfeder (der Arretierung) an die Innenkante der Öffnung für die Positionierung an, stecken Sie beide Ansätze der Staubbox auf die Schienen und schieben Sie den Behälter nach außen.

Wenn die Vorderkante der Arretierungsfeder in die Arretierungsöffnung der Maschine einrastet, ist der Sägemehlbehälter ordnungsgemäß befestigt. **(Abb. 9 und 10)** Befestigen Sie den Tisch mit von vier Sechskantschrauben am Kipplager. **(Abb. 11)**

Für den Versand wurde ein Stift eingesetzt, ziehen Sie diesen heraus. **(Abb. 12)**

### **Einstellen der Führungsschiene (Abb. 13)**

- Befestigen Sie die Führungsschiene mit Hilfe von vier Flügelschrauben und Unterlegscheiben am Tisch.

## **FUNKTIONSBESCHREIBUNG**

### **Bedienung des Schalters (Abb. 14)**

#### **⚠ ACHTUNG:**

- Schalten Sie vor dem Beginn der Arbeiten das Werkzeug unbedingt einmal ein und wieder aus.

Die Schalterabdeckung kann leicht geöffnet werden, indem sie nach oben geschoben wird.

Betätigen Sie den EIN-Schalter (I), um das Werkzeug zu starten. Um das Werkzeug auszuschalten, betätigen Sie den AUS-Schalter (O) oder die Schalterabdeckung.

### **Einschalten der Beleuchtung**

Die Lampen der Arbeitsplatzbeleuchtung können Sie einschalten, indem Sie den Schalter für die Beleuchtung in die obere Stellung (I) bringen. Zum Ausschalten der Beleuchtung bringen Sie den Schalter in die untere Stellung (O).

Heben Sie zum Starten des Werkzeugs den Hebelschalter. **(Abb. 15)**

Zum Stoppen des Werkzeugs senken Sie den Hebelschalter.

### **Schiebestock (Abb. 16)**

Der Schiebestock dient als Verlängerung der Hand zum Schutz vor versehentlicher Berührung des Sägebands.

Wenn der Abstand zwischen Sägeband und einem Parallelanschlag geringer als 150 mm ist, muss immer dieser Schiebestock genutzt werden.

Führen Sie den Schiebestock in einem Winkel von 20° bis 30° zum Tisch der Säge. **(Abb. 17)**

Bei Nichtverwendung kann der Schiebestock an einer speziellen Halterung für den Schiebestock am Rahmen der Bandsäge aufbewahrt werden.

Ersetzen Sie einen beschädigten Schiebestock durch einen neuen.

## Gehrungsfugenlehre (Abb. 18)

Die Gehrungslehre wird von der Vorderseite des Tisches aus in die Nut des Tisches eingesetzt.

Für Gehrungsschnitte kann die Gehrungslehre um 60° in beide Richtungen gedreht werden.

Für Gehrungen von 45° und 90° sind spezielle Anschläge vorhanden.

So stellen Sie einen Gehrungswinkel ein: Lösen Sie den Arretierhebel durch Drehen gegen den Uhrzeigersinn.

### ⚠️ **WARNUNG:**

**Beim Schneiden mit der Gehrungslehre muss der Arretierhebel der Lehre ordnungsgemäß festgezogen sein.**

Nach dem Lösen des Einstellrads können Sie den Hilfsanschlag abnehmen und umdrehen.

## Befestigen des Parallelanschlags (Abb. 19)

Der Parallelanschlag kann zu beiden Seiten des Sägebandes genutzt werden. Beim Umsetzen des Parallelanschlags von einer Seite des Sägebandes auf die andere Seite muss der Parallelanschlag umgedreht werden.

## Umdrehen des Anschlags (Abb. 20)

1. Lösen Sie den Knauf (B) der Halteklemme.
2. Ziehen Sie die Halteklemme vom Anschlag ab.
3. Lösen Sie den Knauf (A).
4. Heben Sie den Anschlag vom Anschlaghalter.
5. Drehen Sie den Anschlag um und schieben Sie den Anschlag wieder auf den Anschlaghalter.
6. Ziehen Sie Knauf (A) fest.
7. Schieben Sie die Halteklemme am Anschlag.

## Befestigen des Parallelanschlags

1. Setzen Sie den Parallelanschlag auf die Führungsschiene.
2. Ziehen Sie den Arretierhebel des Parallelanschlags fest.
3. Lösen Sie den Knauf (B) der Halteklemme.
4. Schieben Sie die Halteklemme an die hintere Kante des Tisches.
5. Ziehen Sie den Knauf (B) fest.

Zum Schneiden von dünnem Material kann der Anschlag abgesenkt werden: **(Abb. 21 und 22)**

1. Lösen Sie den Knauf (B) der Halteklemme.
2. Ziehen Sie die Halteklemme vom Anschlag ab.
3. Lösen Sie den Knauf (A).
4. Heben Sie den Anschlag vom Anschlaghalter.
5. Schieben Sie den Knauf (A) vom Anschlag ab.
6. Drehen Sie den Anschlag um 90°.
7. Setzen Sie den Knauf (A) in die andere Nut des Anschlags ein.
8. Befestigen Sie den Anschlag wieder am Anschlaghalter.
9. Ziehen Sie Knauf (A) fest.
10. Schieben Sie die Halteklemme am Anschlag.

Nach dem Verringern der Höhe des Anschlags hat sich auch der Nullpunkt geändert. Wenn sich der Parallelanschlag auf der linken Seite des Bandes befindet, stellen Sie den Nullpunkt wieder ein, indem Sie die Führungsschiene nach links verschieben.

# MONTAGE

## Wechseln des Sägebandes

### ⚠️ **ACHTUNG:**

- Auch bei Stillstand des Sägebandes kann es bei Berührung des Sägebandes zu Verletzungen kommen.
  - Ein Sägeband ist ein gefährlicher Gegenstand. Tragen Sie beim Umgang mit Sägebändern, z. B. beim Entnehmen aus der Verpackung, beim Ummontieren oder beim Austauschen von Sägebändern unbedingt Schutzhandschuhe.
1. Lösen Sie die zwei Flügelschrauben an der rechten Führungsschiene und schieben Sie die rechte Führungsschiene nach rechts. **(Abb. 23)**
  2. Öffnen Sie die obere und untere Abdeckung an der Maschine. **(Abb. 24)**
  3. Erfassen Sie den Griff und ziehen Sie den Staubschutz nach oben ab. **(Abb. 25)**
  4. Öffnen Sie die untere Sägebandabdeckung. **(Abb. 26)**
  5. Bringen Sie die obere Sägebandführung in die tiefste Position.
  6. Lösen Sie den Hebel der Schnellentspannung bis das Sägeband keine Spannung mehr hat. **(Abb. 27)**
  7. Nehmen Sie das Sägeband heraus, indem Sie das Band durch.
    - den Schlitz im Säge Tisch,
    - den Bandschutz der oberen Sägebandführung,
    - die Bandabdeckung am Sägebandgehäuse führen.
  8. Setzen Sie ein neues Sägeband ein. Achten Sie auf korrekte Positionierung: die Zähne des Bandes müssen in Richtung der Vorderseite (mit den Türen) der Säge zeigen.
  9. Legen Sie das Sägeband mittig auf die Gummibeschichtung der Sägebandrollen auf.
  10. Ziehen Sie den Schnellentspannhebel soweit fest, dass das Sägeband nicht mehr von den Bandrollen rutscht.
  11. Schließen Sie den unteren Sägebandschutz.

### ⚠️ **ACHTUNG:**

Schließen Sie die untere Abdeckung erst, nachdem Sie den unteren Sägebandschutz geschlossen haben.

12. Bringen Sie die rechte Führungsschiene wieder in seine Ausgangsposition. **(Abb. 28 und 29)**
13. Bringen Sie den Staubschutz wieder an.
14. Schließen Sie beide Abdeckungen.
15. Führen Sie anschließend Folgendes aus:
  - Spannen Sie das Sägeband (siehe Abschnitt „Spannen des Sägebandes“ unter „FUNKTIONSBESCHREIBUNG“).
  - Richten Sie das Sägeband aus (siehe Abschnitt „Ausrichten des Sägebandes“ unter „MONTAGE“).
  - Richten Sie die Bandführungen aus (siehe „Ausrichten der oberen Bandführung“ unter „FUNKTIONSBESCHREIBUNG“).
  - Lassen Sie die Säge mindestens 1 Minute laufen.
  - Schalten Sie die Säge aus, ziehen Sie den Netzstecker und überprüfen Sie nochmals alle Einstellungen.

## Einstellen der Schneidgeschwindigkeit (Abb. 30)

1. Öffnen Sie die untere Abdeckung.
2. Entspannen Sie den Antriebsriemen durch Drehen des Einstellrads im Uhrzeigersinn.
3. Legen Sie den Antriebsriemen auf die entsprechende Riemenscheibe an der Antriebsrolle (untere Sägebandrolle) und auf die entsprechende Riemenscheibe am Motor auf – beachten Sie die Abbildung innen auf der unteren Abdeckung.

### **⚠️ ACHTUNG:**

Der Antriebsriemen muss entweder auf beiden vorderen Riemenscheiben oder auf beiden hinteren Riemenscheiben aufliegen. Der Kielriemen darf niemals diagonal aufliegen.

### **Einstellrad zum Spannen des Riemens (Abb. 31)**

Mit dem Einstellrad können die Spannung des Riemens bei Bedarf korrigieren:

- Durch Drehen des Einstellrads im Uhrzeigersinn verringert sich die Spannung des Antriebsriemens.
- Durch Drehen des Einstellrads entgegen dem Uhrzeigersinn erhöht sich die Spannung des Antriebsriemens.

Spannen Sie den Antriebsriemen durch Drehen des Einstellrads entgegen dem Uhrzeigersinn (der Antriebsriemen sollte sich in der Mitte zwischen den Riemenscheiben um ca. 10 mm durchdrücken lassen). **(Abb. 32)**

Schließen Sie die untere Abdeckung.

## **FUNKTIONSBESCHREIBUNG**

### **Spannen des Sägebandes (Abb. 33)**

#### **⚠️ ACHTUNG:**

**Wenn das Sägeband zu straff gespannt wird, kann das Sägeband reißen. Bei zu geringer Spannung des Sägebands kann Antriebsrolle durchrutschen und das Sägeband kann anhalten.**

1. Heben Sie die obere Bandführung vollständig nach oben. Verwenden Sie die Skala als Führung, prüfen Sie auch das Sägeband und drehen Sie den Knauf zum Einstellen der Spannung. (Prüfen Sie nach dem Einstellen die Spannung, wie in Position 2 dargestellt.)
2. Überprüfung der Spannung des Sägeblatts:
  - Überprüfen Sie die Spannung des Sägebands, indem Sie in der Mitte zwischen Tisch und oberer Bandführung mit dem Finger seitlich auf das Sägeband drücken (das Band sollte sich nicht mehr als 1 bis 2 mm durchdrücken lassen).
  - Überprüfen Sie die Einstellung am Bandspannungsanzeiger. Die Skala zeigt die korrekte Spannung des Bandes in Abhängigkeit von der Breite des Bandes an.
3. Korrigieren Sie die Spannung des Bandes gegebenenfalls:
  - Durch Drehen des Einstellknaufs im Uhrzeigersinn erhöht sich die Spannung des Sägebandes.
  - Durch Drehen des Einstellknaufs entgegen dem Uhrzeigersinn verringert sich die Spannung des Sägebandes.

### **Ausrichten des Sägebandes (Abb. 34)**

Wenn das Sägeband nicht in der Mitte der Gummibeschichtung der Bandrollen läuft, muss die Spurführung des Bandes durch Verstellen der Neigung der oberen Sägebandrolle korrigiert werden:

1. Lösen Sie den Feststellknauf.
2. Drehen Sie das obere Rad manuell und achten Sie darauf, dass Sie das Sägeband nicht berühren.
3. Drehen Sie den Einstellknauf im Uhrzeigersinn, wenn das Sägeband zu weit in Richtung Vorderseite der Säge läuft.
  - Drehen Sie den Einstellknauf entgegen dem Uhrzeigersinn, wenn das Sägeband zu weit in Richtung Rückseite der Säge läuft.
4. Ziehen Sie nach dem Ausrichten des Sägebands unbedingt den Feststellknauf wieder an. **(Abb. 35)**

### **Hebel für Schnellentspannung (Abb. 36)**

Mit dem Hebel für die Schnellentspannung kann das Sägeblatt entspannt werden.

In Uhrzeigersinn: Spannung wird verringert

Entgegen Uhrzeigersinn: Spannung wird erhöht

### **Ausrichten der oberen Sägebandführung (Abb. 37)**

Die Höhe der oberen Bandführung muss ausgerichtet werden: vor jedem Schneidvorgang auf die Höhe des Werkstücks (die obere Bandführung sollte auf eine Höhe von ca. 3 mm über dem Werkstück eingestellt werden),

- nach Einstellungen am Sägeband und am Säge Tisch (z. B. nach einem Wechsel des Sägebands, nach dem Spannen des Sägebands nach dem Einstellen des Säge Tisches).

#### **⚠️ ACHTUNG:**

Vor dem Einstellen der oberen Bandführung und der Neigung des Säge Tisches:

- schalten Sie die Maschine AUS,
- warten Sie, bis das Sägeband vollständig zum Stillstand gekommen ist.

- Lösen Sie den Feststellknauf und stellen Sie die obere Bandführung am Einstellknauf auf die gewünschte Höhe ein. Stellen Sie sicher, dass Sie nach der Einstellung die Sicherungsmutter wieder festziehen.
- Schneiden Sie niemals mehrere Werkstücke gleichzeitig - auch niemals aus mehreren Einzelstücken bestehende Bündel. Wenn einzelne Stücke unkontrolliert vom Sägeband erfasst werden, kann es zu Verletzungen kommen.

1. Lösen Sie Bolzen C und stellen Sie das Rotorlager so ein, dass sich die Führungsrolle 1 bis 2 mm von der Rückseite des Sägebands weg befindet. **(Abb. 38 bis 40)**
2. Lösen Sie Bolzen A und stellen Sie die Stützrolle auf eine Position von 0,5 mm von der Rückseite des Sägebands weg ein.
3. Lösen Sie Bolzen B und stellen Sie die Führungsrolle auf eine Position von 0,5 mm vom Sägeband weg ein.

### **Ausrichten der unteren Sägebandführung (Abb. 41)**

Die untere Sägebandführung besteht aus:

- einer Stützrolle (die das Sägeband an der Rückseite stützt),
- zwei Führungsrollen (die das Sägeband seitlich stützen und führen).

Nach jedem Wechsel des Sägebands und nach jedem Einstellen der Spurführung des Bandes müssen diese Bauteile nachgestellt werden.

#### **Hinweis:**

Überprüfen Sie Stützrollen und Führungsrollen regelmäßig auf Verschleiß und tauschen Sie bei Bedarf immer beide Führungsrollen gleichzeitig aus.

- Öffnen Sie die untere Abdeckung und die untere Sägebandführung.
- Lösen Sie die Sechskantschraube, bewegen Sie die gesamte untere Bandführung und passen Sie die Führungsrolle auf eine Position von 1 oder 2 mm von der Unterkante des jeweiligen Blattes an.

### **Einstellen der Stützrolle**

1. Lösen Sie Bolzen A.
2. Stellen Sie die Position der Stützrolle ein (Abstand Stützrolle zu Sägeband = 0,5 mm - bei Bewegen des Sägebands von Hand darf das Sägeband die Stützrolle nicht berühren).

3. Ziehen Sie Bolzen A fest.

### **Einstellen der Führungsrollen (Abb. 42)**

1. Lösen Sie Bolzen B.
2. Legen Sie die Führungsrollen an das Sägeband an.
3. Drehen Sie die Sägebandrolle mehrere Male von Hand im Uhrzeigersinn, um die Führungsrollen in die korrekte Position zu bringen. Lösen Sie Bolzen A und stellen Sie die Stützrolle auf eine Position von 0,5 mm von der Rückseite des Sägebands weg ein. Beide Führungsrollen sollten das Sägeband GERADE BERÜHREN.
4. Ziehen Sie Bolzen B wieder fest.
5. Schließen Sie den unteren Sägebandschutz.
6. Schließen Sie die untere Abdeckungstür.

### **Ausrichten des Sägertisches im rechten Winkel zum Sägeband (Abb. 43 und 44)**

1. Heben Sie die obere Bandführung vollständig nach oben (siehe „Betrieb“).
2. Überprüfen Sie die Spannung des Sägebands (siehe „FUNKTIONSBESCHREIBUNG“).  
Drehen Sie den Griff im Uhrzeigersinn, um den Tisch entgegen dem Uhrzeigersinn zu neigen; drehen Sie den Griff entgegen dem Uhrzeigersinn, um den Tisch im Uhrzeigersinn zu neigen.
3. Lösen Sie den Arretierhebel.
4. Richten Sie den Tisch mit Hilfe eines Anschlagwinkels rechtwinklig zum Sägeband aus, indem Sie den Griff zum Einstellen des Tisches drehen, und ziehen Sie den Arretierhebel wieder fest.
5. Stellen Sie die Anschlagschraube so ein, dass sie das Gehäuse der Säge berührt.

### **Betrieb (Abb. 45 und 46)**

#### **⚠ Gefahr:**

**Um Verletzungen möglichst auszuschließen, sind beim Bedienen und Betreiben der Säge die folgenden Sicherheitshinweise zu beachten:**

#### **⚠ ACHTUNG:**

- Berühren Sie beim Ausführen des Schnitts auf keinen Fall das Sägeband.
- Tragen Sie beim Sägen eine Schutzbrille, jedoch keine Handschuhe.
- Sägen Sie immer nur ein einzelnes Werkstück gleichzeitig.
- Halten Sie das Werkstück immer sicher auf dem Sägertisch.
- Verklemmen Sie die Werkstücke nicht.
- Versuchen Sie nicht, das Sägeband zu verlangsamen oder anzuhalten, indem Sie das Werkstück seitlich gegen das Sägeband drücken.
- Verwenden Sie beim Sägen unmittelbar gegen den Anschlag einen Schiebestock.
- Verwenden Sie bei den entsprechenden Arbeiten die folgenden Hilfsmittel:
  - Schiebestock - bei Abstand zwischen Parallelanschlag und Sägeband  $\leq 150$  mm,
  - Sägebock - wenn lange Werkstücke nach dem Ausführen des Schnittes vom Sägertisch fallen können,
  - Staubsammler,
  - beim Schneiden von Rundmaterial eine geeignete Spannvorrichtung, um ein Drehen des Werkstücks zu verhindern, wie in der Abbildung dargestellt,
  - eine geeignete Führung zum sicheren Abstützen von dünnen Werkstücken bei Hochkantschnitten.

- Handschuhe beim Umgang mit dem Sägeband und mit rauen Materialien.

- Überprüfen Sie vor dem Beginn der Arbeiten folgende Bauteile auf ordnungsgemäßen Zustand:
  - Sägeband,
  - untere und obere Bandführung.
- Ersetzen Sie beschädigte Teile sofort.
- Nehmen Sie eine korrekte Arbeitsposition ein (die Zähne des Sägebands müssen in Richtung des Bedieners zeigen).

### **Sägen**

#### **⚠ WARNUNG:**

Es besteht die Gefahr von Rückschlägen (das Werkstück wird vom Sägeband erfasst und in Richtung des Bedieners geschleudert). Verklemmen Sie die Werkstücke nicht.

- Wählen Sie einen Parallelanschlag und eine Neigung des Tisches aus, die für die vorzunehmenden Arbeiten geeignet sind.
- Stellen Sie die obere Bandführung auf eine Höhe von 3 mm über dem Werkstück ein.

#### **Hinweis:**

Führen Sie immer erst einen Probeschnitt mit einem Abfallstück aus, um die Einstellungen zu überprüfen, und nehmen Sie ggf. Korrekturen vor, bevor Sie das eigentliche Werkstück sägen.

- Platzieren Sie das Werkstück an das Sägeband.
- Stecken Sie den Stecker der Maschine in die Steckdose.
- Schalten Sie die Säge ein.
- Schneiden Sie das Werkstück in einem Zug durch.
- Schalten Sie die Maschine aus, wenn unmittelbar nach dem Schnitt keine weiteren Schnitte auszuführen sind.
- Verwenden Sie einen separat erworbenen Untertisch.

### **Neigen des Tisches (Abb. 47)**

#### **⚠ ACHTUNG:**

Platzieren Sie beim Gehrungsschnitt mit dem geneigten Tisch die Führung auf dem unteren Teil des Tisches.

Nach dem Lösen des Arretierhebels kann der Tisch stufenlos um bis zu 47° bezüglich des Sägebands geneigt werden.

Drehen Sie den Griff im Uhrzeigersinn, um den Tisch entgegen dem Uhrzeigersinn zu neigen; drehen Sie den Griff entgegen dem Uhrzeigersinn, um den Tisch im Uhrzeigersinn zu neigen.

### **Anschließen eines Staubsaugers (Abb. 48 und 49)**

Wenn Sie einen Makita-Staubsauger oder Staubsammler an das Werkzeug anschließen, können Sie das Anfallen von zu viel Staub bei den Arbeiten vermeiden.

Falls ein Stababzug an den Sammler mit großer Öffnung angeschlossen wird, passen Sie den Staubsammler neu an, um zu gewährleisten, dass er tatsächlich über eine große Öffnung verfügt.

### **So setzen Sie die Maschine um (Abb. 50)**

- Ziehen Sie den Griff nach oben und setzen Sie die Maschine um.
- Beim Transport muss der Sägebandschutz ganz nach unten und möglichst nahe zum Tisch positioniert werden.
- Heben oder transportieren Sie die Säge nicht an den Schutzabdeckungen.

#### **⚠ ACHTUNG:**

- Wenn der Griff zu weit hochgehoben wird, kann die Maschine umkippen.

# WARTUNG

## **⚠️ ACHTUNG:**

- Schalten Sie das Werkzeug aus und ziehen Sie immer den Netzstecker, bevor Sie Kontrollen oder Wartungsarbeiten am Werkzeug vornehmen.

## **HINWEIS:**

- Verwenden Sie zum Reinigen niemals Kraftstoffe, Benzin, Verdünnern, Alkohol oder ähnliches. Dies kann zu Verfärbungen, Verformungen oder Rissen führen.

## **Reinigung**

Reinigen Sie das Werkzeug regelmäßig von Sägemehl und -spänen. Reinigen Sie sorgfältig den Sägebandschutz und die beweglichen Teile im Inneren der Bandsäge.

## **Schmierung**

Damit die Bandsäge in einwandfreiem Zustand bleibt und die Lebensdauer verlängert wird, ölen oder fetten Sie die beweglichen und drehbaren Teile regelmäßig.

Achten Sie darauf, dass das Sägeblatt immer scharf und sauber ist, um den Geräuschpegel niedrig zu halten.

Zur Gewährleistung von SICHERHEIT und ZUVERLÄSSIGKEIT des Produkts sollten Reparaturen, Wartungsarbeiten und Einstellungen nur durch von Makita autorisierte Servicecenter durchgeführt und ausschließlich Makita-Ersatzteile verwendet werden.

# ZUBEHÖR

## **⚠️ ACHTUNG:**

- Für das in diesem Handbuch beschriebene Makita-Werkzeug werden die folgenden Zubehör- und Zusatzteile empfohlen. Die Verwendung anderer Zubehör- und Zusatzteile kann zu Personenschäden führen. Verwenden Sie Zubehör- und Anbauteile nur für den vorgesehenen Zweck. Informationen zu diesem Zubehör erhalten Sie von Ihrem Makita-Servicecenter.

- Gestell für Bandsäge
- Inbusschlüssel
- Parallelanschlag
- Gehrungslehre
- Anbaugerät für Rundschnitte
- Erweiterungstisch
- Anbaugerät für Schleifband

## **Nur für europäische Länder**

### **Geräuschpegel**

Die typischen A-bewerteten Schallpegel betragen:

Schalldruckpegel: 81 dB (A)

Schallleistungspegel: 94 dB (A)

Abweichung (K): 3 dB (A)

### **Tragen Sie Gehörschutz.**

Diese Werte wurden entsprechend der Norm EN61029 ermittelt.

## **EG-Konformitätserklärung**

**Wir, Makita Corporation als verantwortlicher Hersteller, erklären, dass das/die folgenden Gerät/Geräte der Marke**

### **Makita:**

Bezeichnung des Geräts: Bandsäge

Nummer / Typ des Modells: LB1200F

in Serienfertigung hergestellt wird/werden und

**den folgenden Richtlinien der Europäischen Union genügt/genügen:**

2006/42/EG.

Außerdem werden die Geräte gemäß den folgenden Standards oder Normen gefertigt:

EN61029

Nummer der EG-Baumusterprüfbescheinigung:

M6A 10 05 26932 017

Die EG-Baumusterprüfbescheinigung wurde ausgestellt von:

TÜV SÜD Product Service GmbH, Zertifizierstelle,

Ridlerstraße 65, 80339 München, Deutschland

ID-Nr. 0123

Die technische Dokumentation erfolgt durch unseren

Bevollmächtigten in Europa:

Makita International Europe Ltd.,

Michigan, Drive, Tongwell,

Milton Keynes, Bucks MK15 8JD, England

25. 05. 2010



Tomoyasu Kato

Direktor

Makita Corporation

3-11-8, Sumiyoshi-cho,

Anjo, Aichi, JAPAN

## ITALIANO (Istruzioni originali)

### Spiegazione della vista generale

1. Ruota	25. Telaio	57. Levetta (a rilascio rapido)
2. Coperchio superiore	26. Maniglia	58. Ruota inferiore della sega a nastro
3. Interruttore della luce	27. Rondella	59. Puleggia motore
4. Interruttore	28. Bullone a testa esagonale incassata	60. Cinghia di trasmissione
5. Guida di taglio	29. Molla piatta	61. Puleggia della ruota di trasmissione
6. Coperchio inferiore	30. Foro di fissaggio	62. Circa 10 mm
7. Maniglia	31. Foro di posizionamento	63. Manopola di blocco
8. Contenitore raccogli-polvere	32. Base	64. Manopola di regolazione
9. Manopola (per tendere la lama)	33. Bulloni esagonali	65. Cuscinetto di guida
10. Manopola (per fissare il coperchio dell'alloggiamento superiore)	34. Maschera oscillante	66. Bullone A
11. Manopola (per regolare la guida della lama)	35. Perno	67. Distanza del cuscinetto di guida dalla parte inferiore della lama
12. Manopola (per fissare la guida della lama)	36. Vite ad alette	68. Bullone C
13. Guida superiore della lama	37. Binario guida	69. Bullone B
14. Lama	38. Coperchio dell'interruttore	70. Sostegno del cuscinetto
15. Manopola (per fissare il coperchio dell'alloggiamento inferiore)	39. Interruttore SPENTO	71. Cuscinetto reggispinta
16. Manopola (per tendere la cinta trapezoidale)	40. Interruttore ACCESO	72. Vite
17. Cinghia di trasmissione	41. ACCESO	73. Dado
18. Supporto	42. Bacchetta di spinta	74. Raccogliitore apertura grande
19. Ruota	43. Guida per augnature	75. Raccogliitore apertura piccola
20. Levetta di blocco (per fissare l'inclinazione della base)	44. Maniglia di blocco	76. Raccogliitore di polveri piccolo (montato sull'unità principale)
21. Area di espulsione della polvere	45. Manopola	77. Raccogliitore di polveri grande (per conversione)
22. Levetta (a rilascio rapido)	46. Manopola (A)	78. Binario
23. Manopola (per regolare l'allineamento dello strumento di taglio)	47. Guida di appoggio	79. Aletta
24. Presa (per regolare l'inclinazione della base)	48. Levetta di blocco	80. Bullone esagonale
	49. Sostegno della guida di appoggio	
	50. Manopola (B)	
	51. Morsetto di fissaggio	
	52. Viti ad alette	
	53. Coperchio antipolvere	
	54. Lama della sega	
	55. Alloggiamento della sega	
	56. Coprilama inferiore	

## CARATTERISTICHE TECNICHE

Modello	LB1200F	
Dimensioni della ruota	305 mm	
Capacità massima di taglio	165 mm	
Velocità a vuoto	Alta	840 min <sup>-1</sup> (50 Hz)/1.040 min <sup>-1</sup> (60 Hz)
	Bassa	420 min <sup>-1</sup> (50 Hz)/520 min <sup>-1</sup> (60 Hz)
Velocità di taglio	Alta	13,3 m/s (800 m/min) (50 Hz)/16,7 m/s (1.000 m/min) (60 Hz)
	Bassa	6,7 m/s (400 m/min) (50 Hz)/8,3 m/s (500 m/min) (60 Hz)
Dimensioni lama	Circonferenza 2.240 mm x Larghezza 6 mm, 13 mm, 16 mm	
Dimensioni complessive	615 mm x 775 mm x 1.600 mm	
Dimensioni della base	560 mm x 400 mm	
Peso netto	81,2 kg	

- Le caratteristiche tecniche riportate di seguito sono soggette a modifiche senza preavviso in virtù del nostro programma continuo di ricerca e sviluppo.
- Le caratteristiche tecniche possono differire da paese a paese.
- Peso calcolato in base alla procedura EPTA 01/2003

### Simboli

L'elenco seguente riporta i simboli utilizzati per l'utensile. È importante comprenderne il significato prima dell'uso.



..... Leggere il manuale di istruzioni.



..... Scollegare la spina.



..... Indossare gli occhiali di protezione.



..... Evitare di porre le mani o le dita in prossimità della lama.



..... Solo per Paesi UE

Non gettare le apparecchiature elettriche tra i rifiuti domestici.

Secondo la Direttiva Europea 2002/96/CE sui rifiuti di apparecchiature elettriche ed elettroniche e la sua attuazione in conformità alle norme nazionali, le apparecchiature elettriche esauste devono essere raccolte separatamente, al fine di essere riciclate in modo eco-compatibile.

## Uso previsto

L'utensile è progettato per il taglio del legno.

## Alimentazione

L'utensile deve essere collegato a una presa di corrente con la stessa tensione di quella indicata sulla targhetta e può funzionare soltanto con corrente alternata monofase. L'utensile è dotato di doppio isolamento in osservanza alle norme europee, pertanto può essere utilizzato anche con prese di corrente sprovviste della messa a terra.

# ISTRUZIONI PER LA SICUREZZA

ENA001-2

**⚠ AVVERTENZA:** Durante l'uso di utensili elettrici è necessario adottare tutte le precauzioni di sicurezza, incluse quelle elencate di seguito, al fine di ridurre il rischio di incendi, scosse elettriche e lesioni personali. Prima di utilizzare questo prodotto, leggere attentamente le istruzioni e conservarle.

### Per garantire la sicurezza:

- Mantenere pulita l'area di lavoro.**  
Aree e banchi di lavoro disordinati comportano un maggior rischio di lesioni.
- Tenere in considerazione l'ambiente dell'area di lavoro.**  
Non esporre le macchine utensili alla pioggia. Non utilizzare le macchine utensili in presenza di umidità o acqua. Mantenere l'area di lavoro ben illuminata. Non utilizzare le macchine utensili in luoghi a rischio di incendi o esplosioni.
- Adottare protezioni contro le scosse elettriche**  
Evitare il contatto con elementi aventi un collegamento a terra (ad esempio, tubi, radiatori, frigoriferi e altri elementi conduttori).
- Tenere lontani i bambini.**  
Evitare che i visitatori tocchino l'utensile o la prolunga. Tenere lontani i visitatori dall'area di lavoro.
- Riporre gli utensili non utilizzati.**  
Quando gli utensili non vengono utilizzati, conservarli in un luogo asciutto, non raggiungibile o chiuso a chiave, fuori dalla portata dei bambini.
- Non forzare l'utensile.**  
L'utensile sarà in grado di eseguire il lavoro meglio, in modo più sicuro e alla velocità per cui è stato progettato.
- Utilizzare l'utensile adeguato.**  
Non utilizzare utensili o accessori di piccole dimensioni per operazioni in cui sono necessari utensili più resistenti. Non utilizzare gli utensili per usi diversi da quelli previsti; ad esempio, non utilizzare seghe circolari per tagliare tronchi o grossi rami d'albero.
- Indossare un abbigliamento adeguato.**  
Non indossare abiti o oggetti che possano rimanere impigliati nelle parti mobili. Per lavori in ambiente esterno, si raccomanda l'uso di guanti di gomma e calzature antiscivolo. Indossare una protezione per tenere raccolti i capelli lunghi.
- Utilizzare occhiali di sicurezza e protezioni acustiche.**  
Utilizzare anche una mascherina facciale o antipolvere nel caso in cui l'operazione di taglio provochi la creazione di polvere.
- Collegare alla rete elettrica i sistemi di estrazione della polvere.**  
Se vengono forniti dispositivi per il collegamento di sistemi di raccolta e estrazione della polvere, verificare che vengano collegati e utilizzati correttamente.
- Non utilizzare impropriamente il cavo.**  
Non trasportare l'utensile tirando il cavo né stratonare il cavo per scollegarlo dalla presa di corrente. Mantenere il cavo lontano da calore, olio o bordi taglienti.
- Fissare il pezzo in lavorazione.**  
Utilizzare morsetti o morse per mantenere fisso il pezzo in lavorazione. È un metodo più sicuro di quello manuale e lascia libere entrambe le mani per l'utilizzo dell'utensile.
- Evitare rischi inutili.**  
Mantenere sempre l'equilibrio e un punto d'appoggio adeguati.
- Sottoporre gli utensili ad accurata manutenzione.**  
Mantenere affilati e puliti gli utensili per il taglio in modo da garantire un funzionamento migliore e più sicuro. Osservare le istruzioni di lubrificazione e sostituzione degli accessori. Controllare periodicamente il cavo di alimentazione e, nel caso sia danneggiato, fare eseguire la riparazione da un centro assistenza autorizzato. Controllare periodicamente le prolunghie e sostituirle se danneggiate. Mantenere le impugnature asciutte, pulite e prive di olio e grasso.
- Scollegare gli utensili dall'alimentazione elettrica.**  
Quando non vengono utilizzati, prima di interventi di riparazione e durante la sostituzione di accessori quali lame e punte.
- Rimuovere gli strumenti e le chiavi di regolazione.**  
Controllare sempre che le chiavi e gli strumenti di regolazione siano stati rimossi prima di accendere la macchina.
- Evitare l'avvio involontario della macchina.**  
Non trasportare l'utensile collegato alla rete elettrica con un dito sull'interruttore. Accertarsi che l'interruttore sia in posizione Off prima di collegare l'utensile.
- Utilizzare prolunghie da esterni.**  
Quando l'utensile viene utilizzato in ambienti esterni, impiegare esclusivamente prolunghie da esterni.
- Rimanere vigili.**  
Prestare attenzione a ciò che si sta facendo. Utilizzare il buon senso.  
Non utilizzare l'utensile se si è stanchi.
- Sottoporre a controllo i pezzi danneggiati.**  
Prima di utilizzare l'utensile, sottoporre ad accurato controllo le protezioni o altri pezzi danneggiati per stabilire se sono in grado di funzionare correttamente e per gli usi previsti. Verificare l'allineamento delle parti mobili, che queste funzionino senza impedimenti, che non si sia in presenza di pezzi danneggiati, montaggio scorretto o qualunque altra condizione che influisca sul corretto funzionamento. Le protezioni o altre parti danneggiate devono essere riparate o sostituite da centri di assistenza autorizzati, salvo quando diversamente indicato nel presente manuale di istruzioni. Far sostituire gli interruttori difettosi da un centro di assistenza autorizzato. Non utilizzare l'utensile se non è possibile spegnerlo o accenderlo con l'interruttore.
- Avvertenza.**  
L'uso di accessori diversi da quelli raccomandati nel presente manuale o nel catalogo può comportare il rischio di lesioni personali.
- Far riparare l'utensile da un tecnico qualificato.**  
Questo utensile elettrico è conforme ai requisiti di sicurezza. Le riparazioni devono essere eseguite solo da tecnici qualificati che impieghino ricambi originali per evitare seri danni all'utente.



# REGOLE DI SICUREZZA AGGIUNTIVE PER L'UTENSILE

## CONSERVARE QUESTE ISTRUZIONI.

1. Indossare una protezione visiva.
2. Non utilizzare l'utensile in presenza di liquidi o gas infiammabili.
3. Indossare sempre una mascherina facciale o antipolvere.
4. Prima dell'uso, verificare lo stato della lama, accertandosi che non vi siano crepe o danni. Sostituire immediatamente la lama che presenta crepe o danni.
5. Usare solo lame da taglio raccomandate dal fornitore e conformi alla norma EN847-1.
6. Utilizzare esclusivamente gli accessori indicati nel presente manuale. L'impiego di accessori non corretti, quali dischi da taglio abrasivi, può provocare infortuni.
7. Scegliere la lama corretta in relazione al materiale da tagliare.
8. Non utilizzare lame prodotte con acciaio rapido.
9. Per ridurre il rumore emesso, assicurarsi che la lama sia sempre affilata e pulita.
10. Non tagliare oggetti metallici come chiodi e viti. Prima della sessione di lavoro, controllare e rimuovere tutti i chiodi, le viti e altri materiali estranei dal pezzo in lavorazione.
11. Prima di avviare l'utensile rimuovere dal piano chiavi, pezzi tagliati, ecc.
12. Non indossare MAI guanti durante le lavorazioni.
13. Tenere le mani lontane dalla linea di taglio della lama.
14. Non sostare MAI, né permettere ad altri di sostare, allineati con il percorso della lama.
15. Prima di utilizzare l'utensile, lasciarlo funzionare a vuoto per qualche minuto. Prestare attenzione a vibrazioni e oscillazioni, che potrebbero indicare difetti di installazione o che la lama è mal bilanciata.
16. Sostituire l'insero della base una volta usurato.
17. Durante il taglio del legno, collegare la sega a nastro a un dispositivo per la raccolta della polvere.
18. Non utilizzare la macchina quando la chiusura o la protezione della sega a nastro è aperta.
19. Tenere presente che la scelta della sega a nastro e l'impostazione della velocità dipendono dal materiale da tagliare.
20. Non pulire la sega a nastro mentre è in movimento.

## INSTALLAZIONE (Fig. 1 e 2)

### Fissaggio del supporto della sega a nastro

Se durante la lavorazione si osserva la tendenza della sega a nastro a rovesciarsi, a scorrere o a spostarsi, occorrerà fissare al pavimento il supporto della sega. (Fig. 3 - 7)

- Dopo aver montato il supporto, montare la maniglia e le ruote. (Fig. 8)

### Caricamento del contenitore raccogli-polvere

Il contenitore raccogli-polvere si carica dal lato inferiore della sega. Inserire la molla piatta (di fissaggio) dal lato interno del foro di posizionamento della macchina, inserire entrambe le alette del contenitore raccogli-polvere nei binari, quindi far scorrere verso l'esterno.

Una volta che il lato anteriore della molla piatta di fissaggio è inserito nel foro di fissaggio, il contenitore raccogli-polvere è caricato. (Fig. 9 e 10)

Fissare la base alla maschera oscillante con i quattro bulloni esagonali. (Fig. 11)

Il perno è inserito al momento della spedizione: estrarlo. (Fig. 12)

### Installazione del binario guida (Fig. 13)

- Assicurare il binario guida con quattro viti ad alette e quattro rondelle alla base.

## DESCRIZIONE FUNZIONALE

### Azionamento dell'interruttore (Fig. 14)

#### ⚠ ATTENZIONE:

- prima di qualunque operazione, assicurarsi di accendere e spegnere l'utensile.

Il coperchio dell'interruttore può essere aperto facilmente facendolo scorrere verso l'alto.

Per avviare l'utensile, premere il pulsante ON (I).

Per arrestarlo, premere il pulsante OFF (O) sul coperchio dell'interruttore.

### Accensione delle lampade

Premere la parte superiore (I) dell'interruttore per accendere la luce e la parte inferiore (O) per spegnerla.

Per avviare l'attrezzo, sollevare la levetta dell'interruttore. (Fig. 15)

Per arrestarlo, abbassare la levetta dell'interruttore.

### Bacchetta di spinta (Fig. 16)

La bacchetta di spinta funge da estensione della mano e protegge dal contatto accidentale con la lama della sega.

La bacchetta di spinta va utilizzata ogniqualvolta la distanza tra la lama e la guida di taglio è inferiore a 150 mm.

Portare la bacchetta di spinta a un angolo di 20° ... 30° rispetto alla superficie della base della sega. (Fig. 17)

Quando non si usa la bacchetta di spinta, essa può essere conservata nell'apposita custodia del telaio.

Sostituire la bacchetta di spinta se danneggiata.

### Guida per augnature (Fig. 18)

La guida per augnature si inserisce nella fessura della base dal lato anteriore.

Per i tagli obliqui, la guida per augnature si inclina di 60° in entrambe le direzioni.

Per i tagli a 45° e 90° è possibile utilizzare gli appositi fermi.

Per impostare un angolo di taglio: allentare la maniglia di blocco girandola in senso antiorario.

#### ⚠ AVVERTENZA:

**Durante i tagli con la guida per augnature la maniglia di blocco deve rimanere saldamente serrata.**

La guida ausiliaria può essere rimossa e capovolta dopo aver allentato la manopola.

### Installazione della guida di taglio (Fig. 19)

La guida di taglio può essere utilizzata su entrambi i lati della lama. Quando la guida di taglio viene spostata da un lato all'altro della lama, deve essere capovolta.

### Capovolgimento della guida (Fig. 20)

1. Allentare la manopola (B) del morsetto di fissaggio.
2. Rimuovere il morsetto di fissaggio dalla guida.

3. Allentare la manopola (A).
4. Sollevare la guida dal relativo sostegno.
5. Capovolgere la guida e reinserirla nel suo sostegno.
6. Stringere la manopola (A).
7. Ricollocare il morsetto di fissaggio sulla guida.

### Applicazione del morsetto alla guida di taglio

1. Collocare la guida di taglio sul binario guida.
2. Serrare la levetta di blocco della guida di taglio.
3. Allentare la manopola (B) del morsetto di fissaggio.
4. Far scorrere il morsetto di fissaggio contro il bordo della base posteriore.
5. Stringere la manopola (B).

L'altezza della guida può essere ridotta se si devono tagliare pezzi sottili. (Fig. 21 e 22)

1. Allentare la manopola (B) del morsetto di fissaggio.
2. Rimuovere il morsetto di fissaggio dalla guida.
3. Allentare la manopola (A).
4. Sollevare la guida dal relativo sostegno.
5. Far scorrere la manopola (A) lontano dalla guida per rimuoverla.
6. Ruotare la guida di 90°.
7. Inserire la manopola (A) nell'altra scanalatura della guida.
8. Riportare la guida sul suo sostegno.
9. Stringere la manopola (A).
10. Ricollocare il morsetto di fissaggio sulla guida.

Una volta ridotta l'altezza della guida, il punto 0 (zero) cambia. Se la guida di taglio si trova sul lato sinistro della lama, far scorrere il binario guida a sinistra per regolare il punto 0.

## MONTAGGIO

### Sostituzione della lama della sega a nastro

#### ⚠ ATTENZIONE:

- Il contatto con la lama della sega a nastro, anche se ferma, può causare lesioni personali.
  - La lama da taglio è pericolosa.
- Accertarsi di indossare dei guanti durante la manipolazione della lama da taglio in situazioni come la rimozione dalla confezione, il montaggio o la sostituzione della lama.

1. Allentare le due viti ad alette sul binario della guida destra e farlo scorrere verso destra. (Fig. 23)
2. Aprire il coperchio superiore e quello inferiore dello strumento. (Fig. 24)
3. Tenere ferma la maniglia e tirare verso l'alto il coperchio antipolvere per rimuoverlo. (Fig. 25)
4. Aprire il coprilama inferiore. (Fig. 26)
5. Portare la guida superiore della lama alla posizione più bassa.
6. Rilasciare la levetta a rilascio rapido fino a liberare la lama. (Fig. 27)
7. Per rimuovere la lama, accompagnarla.
  - la fessura nella lama.
  - il coprilama sulla guida superiore della lama.
  - il coprilama sull'alloggiamento della sega.
8. Applicare la lama nuova. Rispettare il corretto posizionamento: i denti devono puntare verso la parte frontale (coperchio) della sega.
9. Centrare la lama sulle ruote di gomma delle ruote della sega.
10. Stringere la levetta a rilascio rapido finché la lama non smette di scivolare via dalle ruote della sega.
11. Chiudere il coprilama inferiore.

#### ⚠ ATTENZIONE:

Chiudere il coperchio inferiore solo dopo aver chiuso il coprilama inferiore.

12. Riportare il binario della guida destra nella posizione di partenza. (Fig. 28 e 29)
13. Applicare il coperchio antipolvere.
14. Chiudere entrambi i coperchi.
15. Quindi:
  - tendere la lama (consultare la sezione "Tensione della lama" in "DESCRIZIONE FUNZIONALE").
  - allineare la lama (consultare la sezione "Allineamento della lama" in "MONTAGGIO").
  - allineare le guide della lama (consultare la sezione "Regolazione della guida superiore della lama" in "DESCRIZIONE FUNZIONALE").
  - testare la sega per almeno un minuto;
  - arrestare la sega, scollegarla e ricontrollare le impostazioni.

### Regolazione della velocità di taglio (Fig. 30)

1. Aprire il coperchio inferiore.
2. Allentare la cinghia di trasmissione ruotando la manopola in senso orario.
3. Collocare la cinghia di trasmissione sulla puleggia appropriata della ruota di trasmissione (ruota inferiore della sega a nastro) e sulla puleggia motore corrispondente (fare riferimento all'etichetta all'interno del coperchio inferiore).

#### ⚠ ATTENZIONE:

La cinghia di trasmissione deve su entrambe le pulegge anteriori o posteriori. La cinta trapezoidale non deve mai girare in diagonale.

### Manopola di regolazione per la tensione della cinghia (Fig. 31)

La tensione della cinghia può essere corretta, se necessario, tramite la manopola di regolazione:

- girando la manopola in senso orario, la tensione della cinghia di trasmissione viene ridotta.
- girando la manopola in senso antiorario, la tensione della cinghia di trasmissione viene aumentata.

Stringere nuovamente la cinghia di trasmissione girando la manopola in senso antiorario (a metà tra le due pulegge la cinghia dovrebbe flettersi di circa 10 mm). (Fig. 32)

Chiudere il coperchio inferiore.

## DESCRIZIONE FUNZIONALE

### Tensione della lama (Fig. 33)

#### ⚠ ATTENZIONE:

**Una tensione eccessiva può causare la rottura della lama. Una tensione insufficiente può far scivolare la ruota della sega a nastro collegata, causando l'arresto della lama.**

1. Alzare completamente la guida superiore della lama. Utilizzando la scala come guida e tenendo conto della larghezza della lama, girare la manopola per regolare la tensione. (una volta eseguita la regolazione, verificare la tensione come indicato nel punto 2).
2. Controllo della tensione della lama:
  - controllare la tensione premendo con un dito, a metà tra la base e la guida superiore della lama, sul lato della lama (la lama non deve flettersi più di 1-2 mm).
  - controllare la regolazione sull'indicatore di tensione della lama. La scala indica la regolazione corretta in funzione della larghezza della lama.

3. Correggere la tensione, se necessario:
  - girando la manopola in senso orario, la tensione della lama viene aumentata.
  - girando la manopola in senso antiorario, la tensione della lama viene ridotta.

### Allineamento della lama (Fig. 34)

Se la lama della sega a nastro non gira al centro delle ruote di gomma, l'allineamento deve essere corretto regolando l'inclinazione della ruota superiore della sega a nastro:

1. Allentare la manopola di blocco.
2. Ruotare manualmente la ruota superiore, facendo attenzione a non toccare la lama.
3. Girare in senso orario la manopola se la lama è decentrata verso la parte anteriore della sega.
  - girare in senso antiorario la manopola se la lama è decentrata verso la parte posteriore della sega.
4. Dopo aver effettuato la regolazione, chiudere sempre la manopola di blocco. (Fig. 35)

### Levetta a rilascio rapido (Fig. 36)

Con la levetta a rilascio rapido viene rilasciata la tensione della lama.

In senso orario: la tensione viene ridotta

In senso antiorario: la tensione viene aumentata

### Regolazione della guida superiore della lama (Fig. 37)

L'altezza della guida superiore della lama deve essere regolata: prima di ogni operazione o taglio, per regolare l'altezza del pezzo da tagliare (la guida superiore della lama deve essere regolata circa 3 mm sopra il pezzo in lavorazione);

- dopo qualsiasi regolazione della lama o della base (es. sostituzione della lama, regolazione della tensione della lama, allineamento della base).

#### ⚠ ATTENZIONE:

Prima di regolare la guida superiore della lama e l'inclinazione della base:

- SPEGNERE la macchina;
  - attendere fino al completo arresto della lama.
- Impostare la guida superiore della lama con la manopola di regolazione all'altezza desiderata, allentando la manopola di blocco. Una volta completata la regolazione, assicurarsi di stringere il dado di serraggio.
  - Non tagliare mai più pezzi allo stesso tempo, né pacchetti o imballaggi contenenti più pezzi singoli. In caso contrario si corre il rischio di lesioni personali a causa dei pezzi singoli che potrebbero essere colpiti dalla lama, finendo fuori controllo.
1. Allentare il bullone C e regolare il sostegno del cuscinetto in modo che il cuscinetto di guida sia posizionato a 1 o 2 mm dalla parte inferiore della lama. (Fig. 38 - 40)
  2. Allentare il bullone A e regolare il cuscinetto reggisplinta su una posizione di 0,5 mm dalla parte posteriore della lama.
  3. Allentare il bullone B e regolare il cuscinetto di guida su una posizione di 0,5 mm dalla lama.

### Allineare la guida inferiore della lama (Fig. 41)

La guida inferiore della lama è composta da:

- un cuscinetto reggisplinta (sostiene la lama della sega a nastro da dietro).
- due cuscinetti di guida (per il supporto laterale).

Queste parti devono essere regolate nuovamente dopo ogni sostituzione della lama e dopo qualsiasi regolazione dell'allineamento:

#### Nota:

Controllare periodicamente che i cuscinetti reggisplinta e i cuscinetti di guida non siano usurati, se necessario sostituire entrambi i cuscinetti di guida.

- Aprire il coperchio di chiusura inferiore inferiore e il coprilama inferiore.
- Allentare il bullone esagonale, spostare l'intera guida inferiore della lama e regolare il cuscinetto di guida in una posizione di 1 o 2 mm dal fondo della singola guida.

### Regolazione del cuscinetto reggisplinta

1. Allentare il bullone A.
2. Regolare la posizione del cuscinetto reggisplinta (distanza tra il cuscinetto reggisplinta e la lama = 0,5 mm — se la lama viene girata a mano, evitare di toccare il cuscinetto reggisplinta).
3. Serrare il bullone A.

### Regolazione dei cuscinetti di guida (Fig. 42)

1. Allentare il bullone B.
2. Portare i cuscinetti di guida a contatto con la lama.
3. Girare manualmente la ruota della sega a nastro in senso orario diverse volte per portare i cuscinetti di guida nella corretta posizione. Allentare il bullone A e regolare il cuscinetto reggisplinta su una posizione di 0,5 mm dalla parte posteriore della lama. Entrambi i cuscinetti di guida devono TOCCARE APPENA la lama.
4. Serrare di nuovo il bullone B.
5. Chiudere il coprilama inferiore.
6. Chiudere il coperchio di chiusura inferiore.

### Allineamento della base con la lama ad angolo retto (Fig. 43 e 44)

1. Sollevare completamente la guida superiore della lama (vedi "Funzionamento").
2. Controllare la tensione della lama (vedi "DESCRIZIONE FUNZIONALE"). Girare la maniglia in senso orario per inclinare la base in direzione antioraria e girare la maniglia in senso antiorario per inclinare la base in direzione oraria.
3. Allentare la levetta di blocco.
4. Con una squadra fissa, regolare la base ad angolo retto rispetto alla lama girando la maniglia per regolare la base, quindi stringere di nuovo la levetta di blocco.
5. Regolare le vite di arresto fino a che non arriva a toccare l'alloggiamento della sega.

### Funzionamento (Fig. 45 e 46)

#### ⚠ Pericolo:

**Per ridurre il più possibile il rischio di lesioni personali, osservare sempre le seguenti istruzioni per la sicurezza durante l'uso della sega.**

#### ⚠ ATTENZIONE:

- Non toccare la lama da taglio in fase di taglio.
- Durante l'operazione di taglio, indossare occhiali di protezione, ma non indossare i guanti.
- Tagliare solo un pezzo alla volta.
- Tenere sempre il pezzo appoggiato sulla base.
- Non incastrare i pezzi da tagliare.
- Non tentare di rallentare la lama o di arrestarla spingendo il pezzo da tagliare contro la lama lateralmente.

- Se si effettua un taglio diritto rispetto alla guida, utilizzare una bacchetta di spinta.
- Se il tipo di lavoro lo richiede, utilizzare i seguenti componenti:
  - bacchetta di spinta — se la distanza tra la guida di taglio e la lama è  $\leq 150$  mm;
  - un supporto su cui appoggiare i pezzi più lunghi, che cadrebbero fuori dalla base una volta tagliati;
  - raccoglitore di polveri;
  - durante il taglio di pezzi rotondi, fissare saldamente il materiale come mostrato nella figura.
  - una guida adatta di supporto solido per il taglio dei pezzi più sottili sul bordo.
  - guanti per la manipolazione della lama da taglio e di materiale ruvido.
- Prima di iniziare il lavoro, verificare che i seguenti elementi siano in ordine, ben regolati e pronti all'uso:
  - lama;
  - guide superiore e inferiore della lama.
- Sostituire immediatamente le parti danneggiate.
- Mantenere una corretta postura di lavoro (i denti della lama devono essere rivolti verso l'operatore).

## Uso della sega

### ⚠ **AVVERTENZA:**

Rischio di contraccolpi (il pezzo da tagliare può rimanere incastrato nella lama ed essere scagliato via contro l'operatore).

Non incastrare i pezzi da tagliare.

- Impostare la guida di taglio e l'inclinazione della base in base al tipo di taglio da eseguire.
- Regolare la guida superiore della lama 3 mm sopra il pezzo da tagliare.

### **Nota:**

Eseguire sempre un taglio di prova su un pezzo di scarto per verificare le impostazioni, correggendole se necessario prima di tagliare il pezzo vero e proprio.

- Collocare il pezzo da tagliare sulla lama.
- Collegare la macchina.
- Iniziare a segare.
- Eseguire un unico taglio dall'inizio alla fine.
- Spegnerla la macchina se non si deve eseguire ulteriori tagli immediatamente dopo.
- Utilizzare una prolunga della base in vendita separatamente.

## Inclinazione della base (Fig. 47)

### ⚠ **ATTENZIONE:**

Effettuando operazioni di taglio obliquo con la base inclinata, posizionare la guida sulla parte inferiore della base stessa.

Dopo aver allentato la levetta di blocco, la base della sega può essere inclinata in maniera continua fino a  $47^\circ$  rispetto alla lama. Girare la maniglia in senso orario per inclinare la base in direzione antioraria e girare la maniglia in senso antiorario per inclinare la base in direzione oraria.

## Collegamento di un aspiratore (Fig. 48 e 49)

Le operazioni di pulizia possono essere effettuate collegando l'utensile a un aspirapolvere o un raccoglitore di polveri Makita. Se si applica un estrattore di polvere al raccoglitore a grande apertura, riadattare il raccoglitore di polvere per garantire che esso disponga di una grande apertura.

## Spostamento della macchina (Fig. 50)

- Sollevare la maniglia per spostare la macchina.

- Durante il trasporto, la guida della sega a nastro deve essere sempre completamente abbassata e vicina al tavolo.
- Non utilizzare la guida per la manipolazione o il trasporto.

### ⚠ **ATTENZIONE:**

- Se la maniglia viene sollevata troppo, la macchina potrebbe rovesciarsi.

## MANUTENZIONE

### ⚠ **ATTENZIONE:**

- Prima di effettuare controlli e operazioni di manutenzione, verificare sempre che l'utensile sia spento e scollegato.

### **AVVISO:**

- Evitare assolutamente l'uso di benzina, diluenti, solventi, alcol o sostanze simili. Potrebbero verificarsi scoloriture, deformazioni o incrinature.

### **Pulizia**

Eliminare la segatura e i trucioli periodicamente. Pulire con attenzione il coprilama e le parti mobili all'interno dell'utensile.

### **Lubrificazione**

Per mantenere la sega a nastro in buone condizioni e per garantire la massima durata di servizio, oliare o ingrassare le parti in movimento e in rotazione periodicamente.

Per ridurre il rumore emesso, assicurarsi che la lama sia affilata e pulita.

Per mantenere la sicurezza e l'affidabilità del prodotto, le riparazioni e qualsiasi altra operazione di manutenzione o regolazione devono essere eseguite dai centri assistenza autorizzati Makita, utilizzando sempre parti di ricambio Makita.

## ACCESSORI

### ⚠ **ATTENZIONE:**

- Si consiglia l'uso dei seguenti accessori per l'utensile Makita descritto in questo manuale. L'uso di qualsiasi altro accessorio potrebbe provocare infortuni. Utilizzare gli accessori esclusivamente per l'uso dichiarato. Per l'assistenza e per ulteriori informazioni su tali accessori, rivolgersi al centro assistenza Makita di zona.

- Supporto della sega a nastro
- Chiave esagonale
- Guida di taglio
- Guida per augnature
- Accessorio per taglio circolare
- Base di prolunga
- Accessorio per nastro abrasivo

### **Solo per i paesi europei**

#### **Rumorosità**

I tipici livelli di rumore ponderati A sono:

Livello di pressione sonora: 81 dB (A)

Livello di potenza sonora: 94 dB (A)

Variazione (K): 3 dB (A)

#### **Indossare una protezione acustica.**

Questi valori sono stati ottenuti in conformità con la norma EN61029.

**Dichiarazione di conformità CE**

**Makita Corporation, in qualità di produttore responsabile,  
dichiara che le macchine Makita indicate di seguito:**

Denominazione della macchina: Sega a nastro

N. modello/Tipo: LB1200F

appartengono a una produzione in serie e

**sono conformi alle seguenti direttive europee:**

2006/42/CE

Sono inoltre prodotti in conformità con gli standard o i documenti  
standardizzati riportati di seguito:

EN61029

N. della Certificazione CE M6A 10 05 26932 017

Esame Certificazione CE eseguito da:

TÜV SÜD Product Service GmbH, Zertifizierstelle,

Ridlerstraße 65, 80339 München, Germania

N. di identificazione 0123

La documentazione tecnica viene conservata dal rappresentante  
autorizzato in Europa, ovvero:

Makita International Europe, Ltd.,

Michigan, Drive, Tongwell,

Milton Keynes, Bucks MK15 8JD, Inghilterra

25. 05. 2010



Tomoyasu Kato

Direttore

Makita Corporation

3-11-8, Sumiyoshi-cho,

Anjo, Aichi, JAPAN

## NEDERLANDS (Originele instructies)

### Verklaring van het onderdelenoverzicht

1. Zaagbandwiel	24. Handvat (voor kantelen van de zaagtafel)	55. Zaagbandhuis
2. Bovenste deur	25. Frame	56. Onderste zaagbandbescherming
3. Lampschakelaar	26. Handgreep	57. Ontspanhendel
4. Aan- en uit-knoppen	27. Ring	58. Onderste zaagbandwiel
5. Breedtegeleider	28. Inbusbout	59. Aandrijfpoelie van motor
6. Onderste deur	29. Plaatveer	60. Aandrijfriem
7. Handgreep	30. Borggat	61. Poelie van het aandrijf wiel
8. Stofopvangbak	31. Plaatsingsgat	62. Ong. 10 mm
9. Spanknop (voor spannen van de zaagband)	32. Zaagtafel	63. Vergrendelknop
10. Knop (voor vergrendelen van de bovenste deur)	33. Inbusbouten	64. Stelknop
11. Knop (voor afstellen van de zaagbandgeleider)	34. Kantelinrichting	65. Geleidelager
12. Knop (voor vergrendelen van de zaagbandgeleider)	35. Pen	66. Bout A
13. Bovenste zaagbandgeleider	36. Vingerschroef	67. Afstand van geleidelager vanaf onderkant zaagband
14. Zaagband	37. Geleiderail	68. Bout C
15. Knop (voor vergrendelen van de onderste deur)	38. Knopafdekking	69. Bout B
16. Spanknop (voor spannen van de aandrijfriem)	39. Uit-knop	70. Lagerhouder
17. Aandrijfriem	40. Aan-knop	71. Druklager
18. Standaard	41. ON	72. Schroef
19. Transportwiel	42. Duwstok	73. Moer
20. Vergrendelhendel (voor vergrendelen van de zaagtafel)	43. Verstekgeleider	74. Stofafzuigaansluiting met grote opening
21. Stofafzuigaansluiting	44. Vergrendelhandvat	75. Stofafzuigaansluiting met kleine opening
22. Ontspanhendel	45. Knop	76. Kleine stofvanger (gemonteerd op het gereedschap)
23. Stelknop (voor afstellen van sporing van de zaagband)	46. Knop (A)	77. Grote stofvanger (voor adapter)
	47. Geleider	78. Rail
	48. Vergrendelhandvat	79. Schouder
	49. Geleiderhouder	80. Inbusbout
	50. Knop (B)	
	51. Bevestigingsklem	
	52. Vingerschroeven	
	53. Stofafdichting	
	54. Zaagband	

## TECHNISCHE GEGEVENS

Model	LB1200F	
Afmeting zaagbandwiel	305 mm	
Max. zaagdikte	165 mm	
Onbelast toerental	Hoog	840 min <sup>-1</sup> (50 Hz)/1.040 min <sup>-1</sup> (60 Hz)
	Laag	420 min <sup>-1</sup> (50 Hz)/520 min <sup>-1</sup> (60 Hz)
Zaagsnelheid	Hoog	13,3 m/s (800 m/min) (50 Hz)/16,7 m/s (1.000 m/min) (60 Hz)
	Laag	6,7 m/s (400 m/min) (50 Hz)/8,3 m/s (500 m/min) (60 Hz)
Afmetingen zaagband	Omtrek 2.240 mm x breedte 6 mm, 13 mm, 16 mm	
Buitenafmetingen	615 mm x 775 mm x 1.600 mm	
Afmetingen zaagtafel	560 mm x 400 mm	
Netto gewicht	81,2 kg	

- Als gevolg van ons doorlopende onderzoeks- en ontwikkelingsprogramma, zijn de technische gegevens van dit gereedschap onderhevig aan veranderingen zonder voorafgaande kennisgeving.
- De technische gegevens kunnen van land tot land verschillen.
- Gewicht volgens EPTA-procedure 01/2003

### Symbolen

END215-2

Hieronder staan de symbolen die voor dit gereedschap worden gebruikt. Zorg ervoor dat u weet wat ze betekenen alvorens het gereedschap te gebruiken.



..... Lees de gebruiksaanwijzing.



..... Trek de stekker uit het stopcontact.



..... Draag een veiligheidsbril.



..... Houdt handen en vingers uit de buurt van de zaagband.



..... Alleen voor EU-landen

Geef elektrisch gereedschap niet met het huisvuil mee!

Volgens de Europese richtlijn 2002/96/EG inzake oude elektrische en elektronische apparaten en de toepassing daarvan binnen de nationale wetgeving, dient gebruikt elektrisch gereedschap gescheiden te worden ingezameld en te worden afgevoerd naar een recycle bedrijf dat voldoet aan de geldende milieueisen.

## **Gebruiksdoeleinden**

Het gereedschap is bedoeld om hout te zagen.

## **Voeding**

Het gereedschap mag uitsluitend worden aangesloten op een voeding met dezelfde spanning als aangegeven op het typeplaatje en werkt alleen op enkele-fase wisselstroom. Het gereedschap is dubbel geïsoleerd volgens de Europese norm en mag derhalve ook op een niet-geaard stopcontact worden aangesloten.

# **VEILIGHEIDSINSTRUCTIES**

ENA001-2

**⚠ WAARSCHUWING: Tijdens het gebruik van elektrische gereedschappen dienen altijd de basisveiligheidsvoorzorgen, waaronder de volgende, te worden getroffen om het risico van brand, elektrische schokken en persoonlijk letsel te verkleinen. Lees deze hele gebruiksaanwijzing door alvorens het gereedschap te gebruiken en bewaar deze gebruiksaanwijzing.**

### **Voor een veilige bediening:**

- 1. Houd uw werkplek schoon.**  
Op rommelige plaatsen en werkbanken gebeuren vaker ongelukken.
- 2. Denk aan de omgeving van uw werkplek.**  
Stel elektrische gereedschappen niet bloot aan regen. Gebruik elektrische gereedschappen niet op vochtige of natte plaatsen. Zorg voor goede verlichting op uw werkplek. Gebruik elektrische gereedschappen niet op plaatsen waar gevaar voor brand of explosie bestaat.
- 3. Beveilig uzelf tegen elektrische schokken.**  
Voorkom lichamelijk contact met geaarde oppervlakken (bijv. pijpen, radiatoren, fornuizen en koelkasten).
- 4. Houd kinderen uit de buurt.**  
Laat bezoekers het gereedschap of verlengsnoer niet aanraken.  
Alle bezoekers moeten uit de buurt van de werkplek blijven.
- 5. Berg gereedschap dat niet wordt gebruikt veilig op.**  
Als gereedschap niet wordt gebruikt, dient dit te worden opgeborgen op een droge, hoge of afgesloten plaats, buiten het bereik van kinderen.
- 6. Forceer het gereedschap niet.**  
Het gereedschap werkt beter en veiliger op de manier waarvoor het is ontworpen.
- 7. Gebruik het juiste gereedschap.**  
Dwing niet kleine gereedschappen of hulpstukken het werk te doen van zwaar gereedschap. Gebruik gereedschappen niet voor doeleinden waarvoor ze niet ontworpen zijn, bijv. gebruik een cirkelzaag niet om boomtakken of -stammen mee te zagen.
- 8. Draag geschikte kleding.**  
Draag geen losse kleding of sieraden, want deze kunnen verstrikt raken in bewegende delen. Bij het werken buitenshuis adviseren wij u rubberen handschoenen en schoenen met anti-slipzolen te dragen. Draag een haarbedekking om lang haar uit de weg te houden.
- 9. Gebruik een veiligheidsbril en gehoorbescherming.**  
Gebruik altijd een gezichts- of stofmasker als het gebruik stof veroorzaakt.
- 10. Sluit een stofafzuigapparaat aan.**  
Als het elektrisch gereedschap is uitgerust met een aansluiting voor een stofafzuig- en stofopvangvoorziening, zorgt u ervoor dat deze zijn aangesloten en correct worden gebruikt.
- 11. Behandel het netsnoer voorzichtig.**  
Draag het gereedschap nooit aan het netsnoer en trek nooit

aan het netsnoer om zo de stekker uit het stopcontact te trekken. Houd het netsnoer uit de buurt van hitte, olie en scherpe randen.

- 12. Zet het werkstuk vast.**  
Gebruik klemmen of een bankschroef om het werkstuk vast te houden. Dit is veiliger dan met uw hand en zo heeft u beide handen vrij om het gereedschap vast te houden.
- 13. Reik niet te ver.**  
Zorg altijd voor een stevige stand en goede lichaamsbalans.
- 14. Onderhoud het gereedschap goed.**  
Houd snij- en zaaggarnituren scherp en schoon om beter en veiliger te kunnen werken. Volg de instructies voor het smeren en laden van accessoires. Inspecteer het netsnoer van het gereedschap regelmatig en indien het beschadigd is, laat u het repareren door een erkende elektrotechnisch reparateur. Inspecteer verlengsnoeren regelmatig en vervang ze indien beschadigd. Houd de handgrepen droog, schoon en vrij van olie en vetten.
- 15. Koppel het gereedschap los.**  
Koppel het gereedschap los van de stroomvoorziening wanneer het gereedschap niet in gebruik is, u er onderhoud aan gaat plegen, en u accessoires verwisselt, zoals snij- en zaaggarnituren, boortjes en slijpschijven.
- 16. Verwijder verstelsleutels en -tangen.**  
Maak er een gewoonte van om te controleren of verstelsleutels en -tangen van het gereedschap zijn verwijderd voordat u het inschakelt.
- 17. Voorkom onbedoeld starten.**  
Draag een gereedschap waarvan de stekker in het stopcontact zit niet met uw vinger om de aan/uit-schakelaar. Verzeker u ervan dat de aan-uitschakelaar in de uit-stand staat voordat u de stekker in het stopcontact steekt.
- 18. Gebruik verlengsnoeren voor buitenshuis.**  
Wanneer het gereedschap buitenshuis wordt gebruikt, mag u alleen verlengsnoeren gebruiken die bedoeld zijn voor gebruik buitenshuis.
- 19. Let goed op.**  
Kijk waar u mee bezig bent. Gebruik uw gezond verstand. Gebruik het gereedschap niet wanneer u vermoeid bent.
- 20. Controleer beschadigde onderdelen.**  
Zonder het gereedschap verder te gebruiken, moet een beschermkap of ander onderdeel dat beschadigd is eerst goed worden onderzocht om te beoordelen of het goed werkt en zijn beoogde functie kan uitvoeren. Controleer of bewegende delen goed zijn uitgelijnd en vrij draaien, of onderdelen niet kapot zijn en stevig gemonteerd zitten, en enige andere situatie die van invloed kan zijn op de werking van het gereedschap. Een beschermkap of ander onderdeel dat beschadigd is, dient vakkundig te worden gerepareerd of vervangen door een erkend servicecentrum, behalve indien anders aangegeven in deze gebruiksaanwijzing. Laat een kapotte aan-uitschakelaar vervangen door een erkende elektrotechnisch reparateur. Gebruik het gereedschap niet als het niet kan worden in- en uitgeschakeld met de aan/uit-schakelaar.
- 21. Waarschuwing.**  
Het gebruik van enig accessoire of hulpstuk, anders dan die aanbevolen in deze gebruiksaanwijzing of de catalogus, kan gevaar voor persoonlijk letsel inhouden.
- 22. Laat uw gereedschap repareren door een erkende vakman.**  
Dit elektrisch gereedschap voldoet aan de betreffende veiligheidsvereisten. Reparaties mogen alleen worden uitgevoerd door vakbekwame personen met gebruikmaking van originele vervangingsonderdelen omdat anders een aanzienlijk gevaar voor de gebruiker kan ontstaan.

# AANVULLENDE VEILIGHEIDSVOORSCHRIFTEN VOOR GEREEDSCHAP

## BEWAAR DEZE INSTRUCTIES

1. Draag oogbescherming.
2. Gebruik het gereedschap niet in de buurt van ontvlambare vloeistoffen of gassen.
3. Gebruik altijd een gezichts- of stofmasker.
4. Controleer vóór het gebruik de zaagband zorgvuldig op barsten of beschadiging. Vervang een gebarsten of beschadigde zaagband meteen.
5. Gebruik alleen zaagbanden die aanbevolen worden door de fabrikant en die voldoen aan de norm EN847-1.
6. Gebruik altijd de accessoires die in deze gebruiksaanwijzing aanbevolen worden. Gebruik van ongeschikte accessoires, zoals slijpschijven, kan tot letsel leiden.
7. Kies voor het materiaal dat u wilt bewerken de geschikte zaagband.
8. Zaagbanden van hooggelegeerd snelstaal (HSS) mogen niet worden gebruikt.
9. Zorg, om het geluidsniveau te verminderen, er altijd voor dat het zaagband scherp en schoon is.
10. Zaag niet op metalen zoals spijkers en schroeven. Inspecteer het werkstuk en verwijder alle spijkers, schroeven en andere dingen die er niet thuis horen, voordat u met het zagen begint.
11. Verwijder sleutels, afgezaagde stukken e.d. van de zaagtafel voordat u het gereedschap inschakelt.
12. Draag NOOIT handschoenen tijdens het bedienen van het gereedschap.
13. Houd uw handen uit de buurt van de looplijn van de zaagband.
14. Sta NOOIT in het verlengde van de zaaglijn van de zaagband, en laat niet toe dat iemand anders daar gaat staan.
15. Laat het gereedschap een tijdje draaien voordat u het op het werkstuk gebruikt. Controleer op trillingen of schommelingen die op onjuiste bevestiging of een slecht uitgebalanceerd zaagband kunnen wijzen.
16. Vervang het inzetstuk als dit gesleten is.
17. Sluit de bandzaag aan op een stofafzuig- en stofopvanginrichting tijdens het zagen van hout.
18. Bedien de machine niet als de deur of zaagbandbescherming geopend is.
19. Let erop dat de keuze van de zaagband en het toerental afhankelijk is van het te zagen materiaal.
20. Maak de zaagband niet schoon terwijl deze beweegt.

## IN ELKAAR ZETTEN (zie afb. 1 en 2)

### De standaard aan de bandzaag monteren

Als de bandzaag tijdens het gebruik neigt om te vallen, te verschuiven of te bewegen, moet de standaard voor de bandzaag aan de vloer worden bevestigd. (zie afb. 3 t/m 7)

- Nadat de standaard gemonteerd is, bevestigt u de handgreep en transportwielen. (zie afb. 8)

### De stofopvangbak aanbrengen

De stofopvangbak wordt aangebracht tegen de onderkant van de zaagtafel. Bij het aanbrengen van de stofopvangbak houdt u de

plaatveer (voor het vergrendelen) tegen de binnenste rand van het plaatsingsgat van het gereedschap, plaatst u beide schouders van de stofopvangbak in hun rails, en schuift u de stofopvangbak naar de buitenkant.

Nadat de voorrand van de plaatveer in het borggat van het gereedschap valt is de stofopvangbak aangebracht. (zie afb. 9 en 10)

Bevestig de zaagtafel met behulp van vier inbusbouten aan de kantelinrichting. (zie afb. 11)

Tijdens transport is een pen aangebracht die eruit getrokken moet worden. (zie afb. 12)

### De geleiderail bevestigen (zie afb. 13)

- Bevestig de geleiderail met behulp van vier vingerschroeven en ringen aan de zaagtafel.

## BESCHRIJVING VAN DE FUNCTIES

### Aan- en uit-knoppen (zie afb. 14)

#### ⚠ LET OP:

- Zorg ervoor het gereedschap in en uit te schakelen, voordat u het bedient.

De knopafdekking kan eenvoudig worden geopend door hem omhoog te schuiven.

Om het gereedschap te starten, drukt u op de aan-knop (I).

Om het gereedschap te stoppen, drukt u op de uit-knop (O).

### De lamp inschakelen

Druk op het bovenste deel (I) van de lampschakelaar om de lamp in te schakelen, en op het onderste deel (O) om de lamp uit te schakelen.

Om het gereedschap in te schakelen, duwt de hefboomschakelaar omhoog. (zie afb. 15)

Om het gereedschap te stoppen, duwt u de hefboomschakelaar omlaag.

### Duwstok (zie afb. 16)

De duwstok dient als verlengstuk van uw hand en beschermt u tegen per ongeluk aanraken van de zaagband.

De duwstok moet altijd worden gebruikt wanneer de afstand tussen de zaagband en de breedtegeleider minder is dan 150 mm.

Houd de duwstok onder een hoek van 20° tot 30° met het oppervlak van de zaagtafel. (zie afb. 17)

Wanneer de duwstok niet wordt gebruikt, kunt u deze opbergen op de duwstokhouder aan het frame van de bandzaag.

Vervang de duwstok als deze beschadigd is.

### Verstekgeleider (zie afb. 18)

De verstekgeleider wordt in de gleuf in de zaagtafel gestoken vanaf de voorrand van de zaagtafel.

Voor verstekzagen kunt u de verstekgeleider 60° in beide richtingen verstellen.

Voor verstekhoeken van 45° en 90° zijn klikstops aangebracht.

Om de verstekhoek in te stellen, draait u het vergrendelhandvat linksom los.

#### ⚠ WAARSCHUWING:

**Als de verstekgeleider wordt gebruikt tijdens het zagen, moet het vergrendelhandvat stevig vastgedraaid zijn.**

De hulpgeleider kan eraf gehaald worden nadat de knop is losgedraaid.



## De breedtegeleider aanbrengen (zie afb. 19)

De breedtegeleider kan aan beide zijden van de zaagband worden aangebracht. Als de breedte geleider wordt verplaatst van één zijde van de zaagband naar de andere, moet de geleider worden omgedraaid.

## De geleider omdraaien (zie afb. 20)

1. Draai knop (B) van de bevestigingsklem los.
2. Verwijder de bevestigingsklem vanaf de geleider.
3. Draai knop (A) los.
4. Til de geleider van de geleiderhouder af.
5. Draai de geleider om en schuif deze terug op de geleiderhouder.
6. Draai knop (A) vast.
7. Schuif de bevestigingsklem op de geleider.

## De breedtegeleider vastklemmen

1. Plaats de breedtegeleider op de geleiderail.
2. Draai het vergrendelhandvat van de breedtegeleider vast.
3. Draai knop (B) van de bevestigingsklem los.
4. Schuif de bevestigingsklem tegen de achterrand van de zaagtafel.
5. Draai knop (B) vast.

De geleiderhoogte kan worden verlaagd voor het zagen van dunne materialen. (zie afb. 21 en 22)

1. Draai knop (B) van de bevestigingsklem los.
2. Verwijder de bevestigingsklem vanaf de geleider.
3. Draai knop (A) los.
4. Til de geleider van de geleiderhouder af.
5. Schuif knop (A) weg van de geleider om hem te verwijderen.
6. Draai de geleider 90°.
7. Steek knop (A) in de ander groef van de geleider.
8. Plaats de geleider terug op de geleiderhouder.
9. Draai knop (A) vast.
10. Schuif de bevestigingsklem op de geleider.

Wanneer de hoogte van de geleider wordt verlaagd, verandert het nulpunt (0). Als de breedtegeleider zich links van de zaagband bevindt, schuift u de geleiderail naar links om het nulpunt (0) in te stellen.

# DE ONDERDELEN MONTEREN

## De zaagband vervangen

### ⚠ LET OP:

- Aanraking van de zaagband, ook wanneer de zaagband stilstaat, kan leiden tot persoonlijk letsel.
- De zaagband is gevaarlijk.  
Draag altijd handschoenen bij het hanteren van de zaagband, bijvoorbeeld bij het uit de verpakking halen, monteren of vervangen.

1. Draai de twee vingerschroeven van de rechtergeleiderail los en schuif de rechtergeleiderail naar rechts. (zie afb. 23)
2. Open de bovenste deur en de onderste deur van het gereedschap. (zie afb. 24)
3. Pak de handgreep vast en trek de stofafdekking omhoog om deze te verwijderen. (zie afb. 25)
4. Open de onderste zaagbandbescherming. (zie afb. 26)
5. Zet de bovenste zaagbandgeleider in zijn onderste stand.
6. Zet de ontspanhendel los zodat de zaagband loshangt. (zie afb. 27)
7. Om de zaagband te verwijderen, geleidt u deze door:
  - de gleuf in de zaagtafel;

- de zaagbandbescherming van de bovenste zaagbandgeleiders; en
  - de zaagbandafdekking van het zaagbandhuis.
8. Monteer een nieuwe zaagband. Let op de correcte positie van de zaagband: de tanden wijzen naar de voorkant (deur) van de bandzaag.
  9. Centreer de zaagband op de rubberen banden van de zaagbandwielen.
  10. Span de ontspanhendel totdat de zaagband niet meer van de de zaagbandwielen afglijdt.
  11. Sluit de onderste zaagbandbescherming.

### ⚠ LET OP:

Sluit de onderste deur alleen wanneer de onderste zaagbandbescherming in de gesloten stand staat.

12. Breng de rechtergeleiderail weer op zijn oorspronkelijke plaats aan. (zie afb. 28 en 29)
13. Monteer de stofafdekking.
14. Sluit beide deuren.
15. Vervolgens:
  - span de zaagband (raadpleeg de tekst getiteld "De zaagband spannen" in het hoofdstuk "BESCHRIJVING VAN DE FUNCTIES");
  - lijn de zaagband uit (raadpleeg de tekst getiteld "De zaagband uitlijnen" in het hoofdstuk "DE ONDERDELEN MONTEREN");
  - lijn de zaagbandgeleiders uit (raadpleeg de tekst getiteld "De bovenste zaagbandgeleider afstellen" in het hoofdstuk "BESCHRIJVING VAN DE FUNCTIES");
  - laat de bandzaag proefdraaien gedurende minimaal één minuut; en
  - stop de bandzaag, trek de stekker uit het stopcontact en controleer de instellingen.

## Zaagsnelheid instellen (zie afb. 30)

1. Open de onderste deur.
2. Ontspan de aandrijfriem door de knop linksom te draaien.
3. Leg de aandrijfriem om de gewenste poelie van het aandrijf wiel (onderste zaagbandwiel) en de bijbehorende aandrijfpoelie van de motor. Raadpleeg daarvoor het label aan de binnenkant van de onderste deur.

### ⚠ LET OP:

De aandrijfriem moet om beide voorste of beide achterste poelies lopen. De aandrijfriem mag nooit schuin lopen.

## Spanknop van de aandrijfriem (zie afb. 31)

Met de spanknop kan zo nodig de spanning van de aandrijfriem worden gecorrigeerd:

- door de spanknop rechtsom te draaien, wordt de spanning van de aandrijfriem verlaagd; en
- door de spanknop linksom te draaien, wordt de spanning van de aandrijfriem verhoogd.

Span de aandrijfriem weer door de spanknop linksom te draaien (in het midden tussen de poelies moet de aandrijfriem ongeveer 10 mm kunnen worden ingedrukt). (zie afb. 32)

Sluit de onderste deur.

# BESCHRIJVING VAN DE FUNCTIES

## De zaagband spannen (zie afb. 33)

### ⚠ LET OP:

Een te strak gespannen zaagband kan breken. Bij een te slap gespannen zaagband kan het aangedreven zaagbandwiel slippen en de zaagband stoppen.

1. Breng de bovenste zaagbandgeleider helemaal omhoog. Gebruik de schaalverdeling als leidraad, houd rekening met de dikte van de zaagband, en draai de spanknop om de zaagband op spanning te brengen. (Controleer na het spannen de spanning van de zaagband zoals beschreven in stap 2.)
2. De spanning van de zaagband controleren:
  - controleer de spanning door met een vinger in het midden tussen de zaagtafel en de bovenste zaagbandgeleider tegen de zijkant van de zaagband te duwen (de zaagband mag niet meer dan 1 tot 2 mm bewegen); en
  - controleer de afstelling bij de zaagbandspanningsindicator. De schaalverdeling geeft de juiste spanning van de zaagband aan, afhankelijk van de breedte van de zaagband.
3. Corrigeer zo nodig de spanning van de zaagband:
  - door de spanknop rechtsom te draaien, wordt de spanning van de zaagband verhoogd; en
  - door de spanknop linksom te draaien, wordt de spanning van de zaagband verlaagd.

## De zaagband uitlijnen (zie afb. 34)

Als de zaagband niet over het midden van de rubberen banden op de zaagbandwielen loopt, moet de sporing worden gecorrigeerd door de kanteling van het bovenste zaagbandwiel af te stellen.

1. Zet de vergrendelknop vrij.
2. Draai het bovenste zaagbandwiel met de hand rond en let daarbij op de zaagband niet aan te raken.
3. Draai de stelknop rechtsom als de zaagband in de richting van de voorkant van de bandzaag draait; en
  - draai de stelknop linksom als de zaagband in de richting van de achterkant van de bandzaag draait.
4. Sluit na het afstellen altijd de vergrendelknop. (zie afb. 35)

## Ontspanhendel (zie afb. 36)

Met de ontspanhendel wordt de spanning van de zaagband af gehaald.

Rechtsom: spanning neemt af

Linksom: spanning neemt toe

## De bovenste zaagbandgeleider afstellen (zie afb. 37)

De hoogte van de bovenste zaagbandgeleider moet worden afgesteld:

- vóór het zagen/gebruik, overeenkomstig de hoogte van het werkstuk (de bovenste zaagbandgeleider moet ongeveer 3 mm boven het werkstuk zijn ingesteld); en
- na het afstellen van de zaagband of de zaagtafel (bijv. na het vervangen van de zaagband, spannen van de zaagband, of uitlijnen van de zaagtafel).

### ⚠ LET OP:

Alvorens de bovenste zaagbandgeleider en de kantelstand van de zaagtafel af te stellen:

- schakel het gereedschap uit; en
  - wacht totdat de zaagband volledig tot stilstand is gekomen.
- Stel de bovenste zaagbandgeleider met behulp van de stelknop af op de gewenste hoogte door de vergrendelknop los te draaien.

Vergeet niet na het afstellen de vergrendelknop weer vast te draaien.

- Zaag nooit meerdere werkstukken tegelijkertijd, en ook geen bundels bestaande uit meerdere afzonderlijke delen. Als de afzonderlijke delen ongecontroleerd door de zaagband worden gegrepen, bestaat de kans op persoonlijk letsel.

1. Draai bout C los en stel de lagerhouder zodanig af dat het geleidelager zich op 1 of 2 mm vanaf de onderkant van de zaagband bevindt. (zie afb. 38 t/m 40)
2. Draai bout A los en stel het druklager af op 0,5 mm vanaf de achterkant van de zaagband.
3. Draai bout B los en stel het geleidelager af op 0,5 mm vanaf de zaagband.

## Lijn de onderste zaagbandgeleider uit (zie afb. 41)

De onderste zaagbandgeleider bestaat uit:

- een druklager (die de zaagband vanaf de achterkant ondersteunt);
- twee geleidelagers (die de zaagband aan iedere zijkant geleiden).

Deze onderdelen moeten iedere keer nadat de zaagband is vervangen of de sporing ervan is afgesteld opnieuw worden afgesteld:

### Opmerking:

Controleer druklagers en geleidelagers regelmatig op slijtage, en vervang zo nodig beide geleidelagers tegelijkertijd.

- Open de onderste deur en de onderste zaagbandbescherming.
- Draai de zeskantbout los, verplaats de gehele onderste zaagbandgeleider, en stel het geleidelager af op een afstand van 1 of 2 mm vanaf de onderkant van de zaagband.

## Het druklager afstellen

1. Draai bout A los.
2. Stel de positie van het druklager af. (De afstand tussen het druklager en de zaagband moet 0,5 mm zijn. Als het zaagbandwiel met de hand wordt rondgedraaid, mag de zaagband het druklager niet raken.)
3. Draai bout A vast.

## De geleidelagers afstellen (zie afb. 42)

1. Draai bout B los.
2. Stel de geleidelagers tegen de zaagband af.
3. Draai het zaagbandwiel met de hand meerdere keren rechtsom om de geleidelagers in de juiste positie te brengen. Draai bout A los en stel het druklager af op 0,5 mm vanaf de achterkant van de zaagband. Beide geleidelagers moeten de zaagband NET RAKEN.
4. Draai bout B weer vast.
5. Sluit de onderste zaagbandbescherming.
6. Sluit de onderste deur.

## De zaagtafel haaks uitlijnen met de zaagband (zie afb. 43 en 44)

1. Breng de bovenste zaagbandgeleider helemaal omhoog (zie "Bediening").
2. Controleer de spanning van de zaagband (zie "BESCHRIJVING VAN DE FUNCTIES"). Draai het handvat rechtsom om de zaagtafel linksom te kantelen, en draai het handvat linksom om de zaagtafel rechtsom te kantelen.
3. Zet de vergrendelhendel los.
4. Gebruik een winkelhaak, stel de zaagtafel haaks met de zaagband door het handvat te draaien en de zaagtafel te kantelen, en zet daarna de vergrendelhendel weer vast.

5. Draai de aanslagschroef aan tot deze het zaagbandhuis raakt.

## Bediening (zie afb. 45 en 46)

### ⚠ **Gevaar:**

**Om de risico's van persoonlijk letsel zo veel mogelijk te beperken, moeten de volgende veiligheidsvoorzorgen in acht worden genomen bij het bedienen van het zaaggereedschap.**

### ⚠ **LET OP:**

- Raak de zaagband niet aan tijdens het zagen.
- Draag tijdens het zagen een veiligheidsbril, maar draag geen handschoenen.
- Zaag slechts één werkstuk tegelijk.
- Houd het werkstuk altijd op de zaagtafel gedrukt.
- Wring tijdens het zagen het werkstuk niet.
- Probeer niet de zaagband te vertragen of stoppen door het werkstuk vanaf de zijkant tegen de zaagband te drukken.
- Gebruik een duwstok bij het rechtzagen langs de geleider.
- Indien noodzakelijk voor het type werkzaamheden, gebruikt u:
  - een duwstok, wanneer de afstand tussen de breedtegeleider en de zaagband  $\leq 150$  mm is;
  - een werkstukondersteuning, bij lang materiaal dat anders van de zaagtafel zou vallen na voltooiing van de zaagsnede;
  - een stofopvangvoorziening;
  - bij het zagen van een rond werkstuk zet u het materiaal stevig vast, zoals aangegeven in de afbeelding.
  - een geschikte geleider, voor goede steun bij het zagen van dun materiaal dat op zijn zijkant staat.
  - handschoenen bij het hanteren van de zaagband en ruwe materialen.
- Alvorens met de werkzaamheden te beginnen, controleert u of het volgende in goed werkende staat verkeert:
  - de zaagband; en
  - de bovenste en onderste zaagbandgeleiders.
- Vervang beschadigde onderdelen onmiddellijk.
- Let op een correcte werkhouding (de tanden van de zaagband moeten naar de gebruiker gericht zijn).

## Zagen

### ⚠ **WAARSCHUWING:**

Risico van terugslag (het werkstuk wordt gegrepen door de zaagband en naar de gebruiker geworpen).

Wring tijdens het zagen het werkstuk niet.

- Stel de breedtegeleider en zaagtafel goed af voor het type werkzaamheden dat u wilt uitvoeren.
- Stel de bovenste zaagbandgeleider in op 3 mm boven het werkstuk.

### **Opmerking:**

Maak altijd eerst een proefzaagsnede in een stuk afvalhout om de instellingen te controleren en corrigeer zo nodig voordat u het werkstuk zaagt.

- Plaats het werkstuk op de zaagtafel.
- Steek de stekker van het gereedschap in het stopcontact.
- Schakel het gereedschap in.
- Zaag het werkstuk in een enkele werkgang.
- Schakel het gereedschap onmiddellijk na gebruik uit als geen verdere werkzaamheden hoeven te worden uitgevoerd.
- Gebruik een afzonderlijk aan te schaffen hulptafel.

## De zaagtafel kantelen (zie afb. 47)

### ⚠ **LET OP:**

Bij het verstekzagen met gekantelde zaagtafel, plaatst u de geleider op het onderste deel van de zaagtafel.

Wanneer de vergrendelhendel is losgezet, kan de zaagtafel traploos 47° worden gekanteld ten opzichte van de zaagband. Draai het handvat rechtsom om de zaagtafel linksom te kantelen, en draai het handvat linksom om de zaagtafel rechtsom te kantelen.

## Aansluiten op een stofzuiger (zie afb. 48 en 49)

Door een Makita-stofzuiger of -stofvanger op de bandzaag aan te sluiten, kunt u nog schoner werken. Als een stofafzuiginrichting wordt aangesloten op de grote opening van de stofafzuigaansluiting op het gereedschap, past u de stofopvangvoorziening zodanig aan dat deze een grote opening heeft.

## Het gereedschap verplaatsen (zie afb. 50)

- Til het gereedschap aan de handgreep op om het te kunnen verplaatsen.
- Tijdens transport moet de zaagbandbescherming helemaal omlaag staan tot vlak bij de tafel.
- Gebruik de beschermingen niet voor vastpakken en transporteren.

### ⚠ **LET OP:**

- Als de handgreep te hoog wordt opgetild, kan het gereedschap voorover kantelen.

## ONDERHOUD

### ⚠ **LET OP:**

- Zorg er altijd voor dat het gereedschap is uitgeschakeld en de stekker uit het stopcontact is getrokken, voordat u een inspectie of onderhoud uitvoert.

### **OPMERKING:**

- Gebruik nooit benzine, wasbenzine, thinner, alcohol, enz. Dit kan leiden tot verkleuren, vervormen of barsten.

### **Schoonmaken**

Verwijder af en toe zaagsel en spanen van het gereedschap. Maak vooral de zaagbandbescherming en de bewegende onderdelen in de bandzaag goed schoon.

### **Smeren**

Om de bandzaag in optimale conditie te houden en een maximale levensduur te verzekeren, moet u de bewegende en roterende onderdelen regelmatig te smeren.

Om het geluidsniveau te verlagen, zorgt u er altijd voor dat de zaagband scherp en schoon is.

Om de VEILIGHEID en BETROUWBAARHEID van het gereedschap te handhaven, dienen alle reparaties, onderhoud en afstellingen te worden uitgevoerd door een erkend Makita-servicecentrum, en altijd met gebruikmaking van originele Makita-ervangingsonderdelen.

## ACCESSOIRES

### ⚠ **LET OP:**

- Deze accessoires of hulpstukken worden aanbevolen voor gebruik met het Makita-gereedschap dat in deze gebruiksaanwijzing wordt beschreven. Het gebruik van andere accessoires of hulpstukken kan gevaar voor persoonlijk letsel opleveren. Gebruik de accessoires of hulpstukken uitsluitend voor de aangegeven gebruiksdoeleinden. Mocht u meer

informatie willen hebben over deze accessoires, dan kunt u contact opnemen met uw plaatselijke Makita-servicecentrum.

- Standaard voor bandzaag
- Inbussleutel
- Breedtegeleider
- Verstekgeleider
- Hulpmiddel voor rondzagen
- Verlengtafel
- Hulpstuk voor een schuurband

#### **Alleen voor Europese landen**

##### **Geluid**

De typische, A-gewogen geluidsniveaus zijn  
geluidsdruk niveau: 81 dB (A)  
geluidsvermogen niveau: 94 dB (A)  
Onzekerheid (K): 3 dB (A)

##### **Draag gehoorbescherming.**

Deze waarden zijn verkregen volgens EN61029.

##### **EU-verklaring van conformiteit**

**Wij, Makita Corporation, als de verantwoordelijke fabrikant, verklaren dat de volgende Makita-machine(s):**

Aanduiding van de machine: Bandzaag

Modelnr./Type: LB1200F

in serie is geproduceerd en

**Voldoet aan de volgende Europese richtlijnen:**

2006/42/EC

En is gefabriceerd in overeenstemming met de volgende normen of genormaliseerde documenten:

EN61029

Het certificaatnummer van het EU-typeonderzoek is:

M6A 10 05 26932 017

Het EU-typeonderzoek werd uitgevoerd door:

TÜV SÜD Product Service GmbH, Zertifizierstelle,  
Ridlerstraße 65, 80339 München, Duitsland  
identificatienr. 0123

De technische documentatie wordt bewaard door onze erkende vertegenwoordiger in Europa, te weten:

Makita International Europe Ltd.,  
Michigan Drive, Tongwell,  
Milton Keynes, Bucks MK15 8JD, Engeland

25. 05. 2010



Tomoyasu Kato  
Directeur

Makita Corporation  
3-11-8, Sumiyoshi-cho,  
Anjo, Aichi, JAPAN

# ESPAÑOL (Instrucciones originales)

## Explicación de los dibujos

- |  |                                 |   |
|--|---------------------------------|---|
| 1. Rueda   | 26. Asidero                     | 56. Protector inferior de la sierra                                       |
| 2. Cubierta superior   | 27. Arandela                    | 57. Palanca de liberación rápida  |
| 3. Interruptor de la lámpara                                     | 28. Perno de cabeza hexagonal   | 58. Rueda inferior de la sierra de banda                                  |
| 4. Interruptor   | 29. Muelle plano                | 59. Polea del motor   |
| 5. Tope lateral  | 30. Orificio para asegurar      | 60. Correa de transmisión   |
| 6. Cubierta inferior   | 31. Orificio de posicionamiento | 61. Polea de la correa de transmisión                                     |
| 7. Asidero de transporte   | 32. Mesa                        | 62. Aprox. 10 mm  |
| 8. Caja de polvo   | 33. Pernos hexagonales          | 63. Pomo de bloqueo   |
| 9. Pomo (para tensar la cuchilla)                                | 34. Soporte giratorio           | 64. Pomo de ajuste  |
| 10. Pomo (para fijar la puerta del chasis superior)              | 35. Pasador                     | 65. Cojinete de guía  |
| 11. Pomo (para ajustar la guía de la cuchilla)                   | 36. Tornillo de mano            | 66. Perno A   |
| 12. Pomo (para fijar la guía de la cuchilla)                     | 37. Carril de guía              | 67. Distancia del cojinete de guía desde la parte inferior de la cuchilla |
| 13. Guía superior de la cuchilla                                 | 38. Tapa del interruptor        | 68. Perno C   |
| 14. Cuchilla   | 39. Interruptor de apagado      | 69. Perno B   |
| 15. Pomo (para fijar la puerta del chasis inferior)              | 40. Interruptor de encendido    | 70. Soporte del cojinete  |
| 16. Pomo (para tensar la correa en V)                            | 41. Encendido (ON)              | 71. Cojinete de empuje  |
| 17. Correa de transmisión  | 42. Listón de empuje            | 72. Tornillo  |
| 18. Base   | 43. Cartabón de inglete         | 73. Tuerca  |
| 19. Neumático  | 44. Asidero de bloqueo          | 74. Colector de apertura grande   |
| 20. Palanca de bloqueo (para fijar la inclinación de la mesa)    | 45. Pomo                        | 75. Colector de apertura pequeña  |
| 21. Puerto de extracción de polvo                                | 46. Pomo (A)                    | 76. Recolector de polvo pequeño (montado en la unidad principal)          |
| 22. (Liberación rápida) palanca                                  | 47. Tope                        | 77. Recolector de polvo grande (para conversión)                          |
| 23. Pomo (para ajustar la alineación de la herramienta de corte) | 48. Palanca de bloqueo          | 78. Carril  |
| 24. Empuñadura (para ajustar la inclinación de la mesa)          | 49. Soporte del tope            | 79. Reborde   |
| 25. Estructura   | 50. Pomo (B)                    | 80. Perno hexagonal   |
|  | 51. Mordaza de retención        |   |
|  | 52. Tornillos de mano           |   |
|  | 53. Guardapolvo                 |   |
|  | 54. Cuchilla de sierra          |   |
|  | 55. Alojamiento de la sierra    |   |

## ESPECIFICACIONES

Modelo	LB1200F	
Tamaño de la rueda	305 mm	
Capacidad máxima de corte	165 mm	
Velocidad en vacío	Alta	840 min <sup>-1</sup> (50 Hz)/1.040 min <sup>-1</sup> (60 Hz)
	Baja	420 min <sup>-1</sup> (50 Hz)/520 min <sup>-1</sup> (60 Hz)
Velocidad de corte	Alta	13,3 m/s (800 m/min) (50 Hz)/16,7 m/s (1.000 m/min) (60 Hz)
	Baja	6,7 m/s (400 m/min) (50 Hz)/8,3 m/s (500 m/min) (60 Hz)
Tamaño de la banda	2.240 mm de circunferencia x 6 mm, 13 mm, 16 mm de ancho	
Dimensiones globales	615 mm x 775 mm x 1.600 mm	
Tamaño de la mesa	560 mm x 400 mm	
Peso neto	81,2 kg	

- Debido a nuestro programa continuo de investigación y desarrollo, las especificaciones aquí descritas están sujetas a cambios sin previo aviso.
- Las especificaciones pueden ser diferentes de un país a otro.
- Peso de acuerdo con el procedimiento EPTA 01/2003

### Símbolos

END215-2

Se utilizan los siguientes símbolos para la herramienta. Asegúrese de que comprende su significado antes del uso.



..... Lea el manual de instrucciones.



..... Desenchufe la herramienta de la toma de corriente.



..... Utilice gafas de seguridad.



..... Aleje las manos y los dedos de la hoja de corte.



..... Sólo para países de la Unión Europea  
¡No deseche los aparatos eléctricos junto con los residuos domésticos!

De conformidad con la Directiva Europea 2002/96/CE sobre residuos de aparatos eléctricos y electrónicos y su aplicación de acuerdo con la legislación nacional, las herramientas eléctricas cuya vida útil haya llegado a su fin se deberán recoger por separado y trasladar a una planta de reciclaje que cumpla con las exigencias ecológicas.

### Uso previsto

La herramienta está diseñada para cortar madera.

## Alimentación

La herramienta debe conectarse solamente a una fuente de alimentación de la misma tensión que la indicada en la placa de características, y sólo puede funcionar con corriente alterna monofásica. El sistema de doble aislamiento de la herramienta cumple con las normas europeas y puede, por lo tanto, usarse también en enchufes sin conductor de tierra.

# INSTRUCCIONES DE SEGURIDAD

ENA001-2

**⚠ ADVERTENCIA:** Cuando se utilicen herramientas eléctricas, siempre deben tomarse precauciones de seguridad para reducir el riesgo de fuego, descargas eléctricas y lesiones personales, incluyendo las siguientes. Lea todas las instrucciones antes de utilizar este producto y guárdelas.

Para un uso seguro:

- Mantenga el área de trabajo limpia.**  
Las áreas y los bancos desordenados favorecen los accidentes.
- Tenga en cuenta el entorno del área de trabajo.**  
No exponga las herramientas eléctricas a la lluvia. No utilice las herramientas eléctricas en lugares húmedos o mojados. Mantenga el área de trabajo bien iluminada. No utilice herramientas eléctricas cuando haya riesgo de causar un fuego o una explosión.
- Protéjase de descargas eléctricas.**  
Evite el contacto corporal con superficies puestas a tierra o a masa, tales como tuberías, radiadores, fogones de cocina y frigoríficos.
- Mantenga alejados a los niños.**  
No deje que los visitantes toquen la herramienta ni el prolongador.  
Todos los visitantes deben mantenerse alejados del área de trabajo.
- Guarde las herramientas que no utilice.**  
Cuando no se utilicen, las herramientas deben guardarse en un lugar alto o cerrado, fuera del alcance de los niños.
- No fuerce la herramienta.**  
Realizará el trabajo mejor y de forma más segura a la velocidad para la que se ha diseñado.
- Utilice la herramienta adecuada.**  
No fuerce las herramientas pequeñas o sus complementos para que hagan el trabajo de una herramienta para tareas pesadas. No utilice las herramientas con finalidades para las que no se han diseñado; por ejemplo, no utilice sierras circulares para cortar ramas de árboles o troncos.
- Use la indumentaria apropiada.**  
No lleve ropas anchas ni joyas, ya que pueden quedar atrapadas en las partes móviles. Se recomienda usar guantes de goma y calzado antideslizante cuando se trabaje en exteriores. Lleve protección para el cabello para sujetar el cabello largo.
- Utilice gafas de seguridad y protectores para los oídos.**  
Utilice también mascarillas antipolvo o para la cara si la operación de corte produce polvo.
- Conecte el equipo de extracción de polvo.**  
Si se proveen dispositivos para la conexión de equipos de extracción y recolección de polvo, asegúrese de que estén conectados y de que se utilicen adecuadamente.
- No maltrate el cable.**  
Nunca transporte la herramienta por el cable ni tire de él para desconectarla del enchufe. Mantenga el cable alejado del calor, aceite y bordes cortantes.
- Sujete las piezas.**  
Utilice mordazas o un tornillo de banco para sujetar la pieza de trabajo. Es más seguro que utilizar las manos y libera ambas manos para utilizar la herramienta.
- No haga demasiadas cosas al mismo tiempo.**  
Mantenga la postura adecuada y el equilibrio en todo momento.
- Realice un buen mantenimiento de las herramientas.**  
Mantenga las herramientas de corte afiladas y limpias para un rendimiento mejor y más rápido. Siga las instrucciones para lubricar y cambiar accesorios. Inspeccione el cable de la herramienta periódicamente y, si está dañado, haga que lo reparen en un centro de reparación autorizado. Inspeccione los cables periódicamente y sustitúyalos si están dañados. Mantenga las empuñaduras secas, limpias y libres de aceite y grasa.
- Desconecte las herramientas.**  
Cuando no las utilice, antes de repararlas y cuando cambie accesorios como cuchillas, brocas y eslabones de corte.
- Retire las llaves de ajuste.**  
Acostúmbrese a comprobar si las llaves de ajuste se han retirado de la herramienta antes de encenderla.
- Evite el encendido accidental de la herramienta.**  
No transporte una herramienta enchufada con un dedo en el interruptor. Asegúrese de que el interruptor esté en la posición de apagado antes de enchufar la herramienta.
- Utilice cables prolongadores en exteriores.**  
Cuando utilice la herramienta en exteriores, utilice sólo cables alargadores especialmente diseñados para el uso en exteriores.
- Esté atento.**  
Preste atención a lo que está haciendo. Utilice su sentido común.  
No utilice la herramienta cuando esté cansado.
- Compruebe las piezas dañadas.**  
Antes de seguir utilizando la herramienta, si un protector o cualquier otra parte de la herramienta está dañada, debe inspeccionarse con detenimiento para determinar si funcionará correctamente y si cumplirá con su finalidad. Compruebe la alineación de las partes móviles, el libre movimiento de las partes móviles, la rotura de piezas, el montaje y cualquier otra condición que pueda afectar a su funcionamiento. Los protectores, o cualquier otra pieza que esté dañada, deben repararse correctamente en un centro de reparaciones autorizado a menos que se indique lo contrario en este manual de instrucciones. Haga que se reemplacen los interruptores defectuosos en las instalaciones de un servicio de reparación autorizado. No utilice la herramienta si el interruptor no se enciende y apaga.
- Advertencia.**  
El uso de cualquier accesorio o complemento diferente de los recomendados en este manual de instrucciones o catálogo puede presentar un riesgo de lesiones personales.
- Haga que personal cualificado repare su herramienta.**  
Esta herramienta eléctrica cumple con los requisitos relevantes de seguridad. Las reparaciones sólo debe realizarlas personal cualificado que utilice piezas de recambio originales, de lo contrario se podría incurrir en un peligro considerable para el usuario.

# REGLAS DE SEGURIDAD ADICIONALES PARA LA HERRAMIENTA

## GUARDE ESTAS INSTRUCCIONES.

1. Utilice protección para los ojos.
2. No utilice la herramienta en presencia de gases o líquidos inflamables.
3. Utilice siempre mascarillas antipolvo o para la cara.
4. Antes de su uso, inspeccione cuidadosamente el disco para ver si tiene grietas o está dañado. Una sierra agrietada o dañada debe sustituirse de inmediato.
5. Utilice sólo hojas de sierra recomendadas por el fabricante y que cumplan con EN847-1.
6. Utilice siempre los accesorios recomendados en este manual. El uso de accesorios inadecuados, como discos de corte abrasivos, puede provocar lesiones.
7. Seleccione una hoja adecuada para el material que va a cortar.
8. No utilice hojas de sierra fabricadas con acero rápido.
9. Para reducir la emisión de ruido, asegúrese siempre de que la hoja esté afilada y limpia.
10. No corte metales, tales como clavos y tornillos. Inspeccione la pieza de trabajo antes de la operación y extraiga todos los clavos, tornillos y otros objetos extraños.
11. Antes de conectar la alimentación, retire las llaves, piezas sobrantes, etc. de la mesa.
12. No utilice NUNCA guantes durante la operación.
13. Mantenga las manos alejadas de la línea del disco.
14. No se interponga NUNCA ni permita que nadie se interponga en la línea de la trayectoria del disco.
15. Antes de utilizar la herramienta en la pieza de trabajo definitiva, déjela funcionar durante un rato. Observe para ver si se producen vibraciones o bamboleo que puedan indicar que el disco está mal instalado o mal equilibrado.
16. Reemplace el accesorio de inserción en la mesa cuando esté gastado.
17. Conecte la sierra de banda a un dispositivo de recogida de polvo cuando corte madera.
18. No utilice la máquina cuando la puerta o la protección de la banda de sierra esté abierta.
19. Asegúrese de que la selección de la banda de sierra y de la velocidad es adecuada para el material que se va a cortar.
20. No limpie la banda de sierra mientras esté en movimiento.

## INSTALACIÓN (Fig. 1 y 2)

### Fijación del soporte de la sierra de banda

Si durante la operación nota que la sierra de banda tiene alguna tendencia a volcarse, deslizarse o moverse, deberá fijar el soporte de la sierra de banda al suelo. (Fig. 3 - 7)

- Tras acoplar el soporte, acople el asidero y las ruedas. (Fig. 8)

### Cómo cargar el compartimento para el polvo

El compartimento para el polvo se carga desde la parte inferior de la sierra de mesa. Cuando realice la carga, inserte el muelle plano (para asegurar) en el borde interior del orificio de posicionamiento de la máquina, encaje los dos rebordes del compartimento para el polvo en los carriles y, a continuación, deslícelos hacia fuera.

Cuando el borde delantero del muelle plano de fijación encaje en el orificio de fijación de la máquina, el compartimento para el polvo estará cargado. (Fig. 9 y 10)

Fije la mesa al soporte giratorio mediante cuatro pernos hexagonales. (Fig. 11)

El pasador se inserta para el transporte, por lo que debe retirarlo. (Fig. 12)

### Instalación del carril de guía (Fig. 13)

- Fije el carril de guía a la mesa con cuatro tornillos de mano y arandelas.

## DESCRIPCIÓN DEL FUNCIONAMIENTO

### Funcionamiento del interruptor (Fig. 14)

#### ⚠ PRECAUCIÓN:

- Antes de su uso, asegúrese de que la herramienta se encienda y se apague.

La tapa del interruptor se puede abrir fácilmente deslizando hacia arriba.

Para poner en marcha la herramienta, pulse el botón ON (I).

Para detenerla, pulse el botón OFF (O) o la tapa del interruptor.

### Encendido de las lámparas

Empuje la posición superior (I) del interruptor de la lámpara para encender la luz y la posición inferior (O) para apagarla.

Para poner en marcha la herramienta, levante la palanca del interruptor. (Fig. 15)

Para detenerla, baje la palanca del interruptor.

### Listón de empuje (Fig. 16)

El listón de empuje sirve como extensión de la mano y protege ante el contacto accidental con la hoja de sierra.

Siempre debe utilizarse el listón de empuje si la distancia entre la hoja de sierra de banda y un tope lateral es inferior a 150 mm.

Guíe el listón de empuje a un ángulo de 20° ... 30° contra la superficie de la tabla de la sierra. (Fig. 17)

Cuando no se utilice el listón de empuje se puede almacenar en el soporte para el listón de empuje que se proporciona en el bastidor de la sierra de banda.

Sustituya el listón de empuje si está dañado.

### Calibrador de ingletes (Fig. 18)

El calibrador de ingletes se inserta en la ranura de la mesa desde el borde frontal de la mesa.

Para cortes a inglete, el cartabón de inglete gira 60° en ambas direcciones.

Para ingletes de 45° y 90° se proporcionan topes positivos.

Para ajustar un ángulo de inglete: afloje el asidero de bloqueo girándolo en el sentido contrario a las agujas del reloj.

#### ⚠ ADVERTENCIA:

**Cuando corte con el calibrador de inglete, el asidero de bloqueo debe estar firmemente apretado.**

El tope auxiliar se puede extraer e invertir tras aflojar el pomo.

### Instalación del tope lateral (Fig. 19)

El tope lateral se puede usar en ambos lados de la cuchilla.

Cuando se mueve el tope lateral de un lado de la hoja de sierra al otro, debe invertirse el tope.

## Inversión del tope (Fig. 20)

1. Afloje el pomo (B) de la mordaza de retención.
2. Extraiga la mordaza de retención del tope.
3. Afloje el pomo (A).
4. Levante y retire el tope del soporte del tope.
5. Invierta el tope y vuelva a deslizarlo en el soporte del tope.
6. Apriete el pomo (A).
7. Deslice la mordaza de retención en el tope.

## Sujeción del tope lateral

1. Coloque el tope lateral en el carril de guía.
2. Apriete la palanca de bloqueo del tope lateral.
3. Afloje el pomo (B) de la mordaza de retención.
4. Deslice la mordaza de retención contra el borde posterior de la tabla.
5. Apriete el pomo (B).

La altura del tope se puede reducir cuando se cortan materiales delgados. (Fig. 21 y 22)

1. Afloje el pomo (B) de la mordaza de retención.
2. Extraiga la mordaza de retención del tope.
3. Afloje el pomo (A).
4. Levante y retire el tope del soporte del tope.
5. Deslice el pomo (A) y aleje el tope para extraerlo.
6. Gire el tope 90°.
7. Inserte el pomo (A) en la ranura del tope.
8. Devuelva el tope al soporte del tope.
9. Apriete el pomo (A).
10. Deslice la mordaza de retención en el tope.

Cuando se haya reducido la altura del tope, el punto 0 (cero) cambiará. Si el tope lateral se deja en el lado izquierdo de la cuchilla, deslice el carril de guía a la izquierda para ajustarlo en 0 puntos.

# MONTAJE

## Cambio de la hoja de la sierra de banda

### ⚠ PRECAUCIÓN:

- El contacto con la hoja de la sierra de banda, incluso con ésta detenida, puede provocar lesiones personales.
- La hoja de sierra es peligrosa.  
Asegúrese de utilizar guantes cuando maneje la hoja de sierra en situaciones como la extracción de su envoltorio, el montaje o la sustitución de la hoja.

1. Afloje los dos tornillos de mano para el carril de guía derecho y deslícelo a la derecha. (Fig. 23)
2. Abra la cubierta superior y baje la cubierta inferior de la herramienta. (Fig. 24)
3. Sujete el asidero y tire del guardapolvos hacia arriba para extraerlo. (Fig. 25)
4. Abra la protección inferior de la hoja. (Fig. 26)
5. Ajuste la guía de la hoja superior en su posición más baja.
6. Afloje la palanca de liberación rápida hasta que la hoja de la sierra de banda se haya aflojado. (Fig. 27)
7. Para extraer la hoja de la sierra de banda, guíela a través de:
  - la ranura de la hoja de sierra.
  - el protector de la hoja en las guías superiores de la hoja.
  - la cubierta de la hoja en el alojamiento de la sierra.
8. Monte una hoja de sierra de banda nueva. Respete la posición correcta: los dientes apuntan hacia el lado frontal (puerta) de la sierra.
9. Centre la hoja de la sierra de banda en las ruedas de goma de los discos de la sierra de banda.

10. Apriete la palanca de liberación rápida hasta que la hoja no resbale en los discos de la sierra de banda.
11. Cierre el protector de la hoja inferior.

### ⚠ PRECAUCIÓN:

Cierre la cubierta inferior solamente cuando el protector inferior de la cuchilla esté en la posición cerrada.

12. Devuelva el carril de guía derecho a su posición original. (Fig. 28 y 29)

13. Encaje el guardapolvo.

14. Cierre ambas cubiertas.

15. A continuación:

- tense la hoja de la sierra de banda (consulte la sección con el título "Tensado de la hoja de la sierra de banda" en "DESCRIPCIÓN DEL FUNCIONAMIENTO").
- alinee la hoja de la sierra de banda (consulte la sección con el título "Alineado de la hoja de la sierra de banda" en "MONTAJE").
- alinee las guías de la hoja (Consulte la sección con el título "Ajuste de la guía superior de la cuchilla" en "DESCRIPCIÓN DEL FUNCIONAMIENTO").
- deje que la sierra funcione en modo de prueba durante un minuto como mínimo;
- detenga la sierra, desenchúfela y vuelva a comprobar la configuración.

## Ajuste de la velocidad de corte (Fig. 30)

1. Abra la cubierta inferior.
2. Afloje la correa de transmisión girando el pomo en el sentido de las agujas del reloj.
3. Coloque la correa de transmisión en la polea necesaria de la rueda motriz (disco inferior de la sierra de banda) y la correspondiente polea del motor; tenga en cuenta la nota dentro de la cubierta inferior.

### ⚠ PRECAUCIÓN:

La correa de transmisión debe pasar por las poleas frontal y posterior. Nunca deje que la correa en V funcione en diagonal.

## Ajuste del pomo para tensar la correa (Fig. 31)

Con el pomo de ajuste se corrige la tensión de la correa si es necesario:

- al girar el pomo de ajuste en el sentido de las agujas del reloj se reduce la tensión de la correa de transmisión.
- al girar el pomo de ajuste en el sentido contrario a las agujas del reloj aumenta la tensión de la correa de transmisión.

Vuelva a apretar la correa de transmisión girando el pomo en el sentido contrario a las agujas del reloj (medio camino entre las poleas y la correa de transmisión debe flexionarse aprox. 10 mm). (Fig. 32)

Cierre la cubierta inferior.

# DESCRIPCIÓN DEL FUNCIONAMIENTO

## Tensado de la hoja de la sierra de banda (Fig. 33)

### ⚠ PRECAUCIÓN:

**Demasiada tensión puede provocar la rotura de la hoja de la sierra de banda. Demasiado poca tensión puede hacer que el disco de la sierra de banda patine y la hoja de la sierra de banda se detenga.**

1. Levante la guía superior de la hoja completamente.  
Utilizando la escala como guía y teniendo en consideración la



hoja, gire el pomo para ajustar la tensión. (Tras el ajuste, compruebe la tensión como se muestra en el elemento 2.)

2. Compruebe la tensión de la correa:
  - compruebe la tensión empujando con un dedo, a medio camino entre la tabla y la guía superior de la hoja, contra el lado de la hoja (la hoja debe flexionarse no más de 1-2 mm).
  - compruebe el ajuste en el indicador de tensión de la hoja. La escala indica el correcto ajuste dependiendo del ancho de la hoja de la sierra de banda.
3. Corrija la tensión si es necesario:
  - si se gira el pomo de ajuste en el sentido de las agujas del reloj aumenta la tensión de la hoja.
  - si se gira el pomo de ajuste en el sentido contrario las agujas del reloj se reduce la tensión de la hoja.

### Alineado de la hoja de la sierra de banda (Fig. 34)

Si la hoja de la sierra de banda no pasa por el centro de los neumáticos de goma, debe corregirse la alineación ajustando la inclinación del disco superior de la sierra de banda:

1. Afloje el pomo de bloqueo.
2. Gire manualmente el disco superior, teniendo cuidado de no tocar la hoja.
3. Gire el pomo de ajuste en el sentido de las agujas del reloj si la hoja de la sierra de banda pasa por la parte frontal de la sierra.
  - gire el pomo de ajuste en el sentido contrario las agujas del reloj si la hoja de la sierra de banda pasa por la parte posterior de la sierra.
4. Tras el ajuste, cierre siempre el pomo de bloqueo. (Fig. 35)

### Palanca de liberación rápida (Fig. 36)

Con la palanca de liberación rápida se libera la tensión de la hoja de la sierra.

Sentido de las agujas del reloj: se reduce la tensión

Sentido contrario a las agujas del reloj: aumenta la tensión

### Ajuste de la guía superior de la hoja (Fig. 37)

La altura de la guía superior de la hoja debe ajustarse: antes de cada corte/operación, para dejar espacio para la altura de la pieza de trabajo (la guía superior de la hoja debe ajustarse aprox. 3 mm por encima de la pieza de trabajo);

- tras los ajustes de la hoja de la sierra de banda o de la mesa de la sierra (p. ej. cambio de hoja de la sierra de banda, tensado de la hoja de la sierra de banda, alineación de la mesa de la sierra).

#### ⚠ PRECAUCIÓN:

Antes de ajustar la inclinación de la mesa de la sierra y la guía superior de la hoja:-

- apague la máquina;
- espere hasta que la hoja de la sierra de banda se haya detenido por completo.

- Ajuste la guía superior de la hoja en la altura deseada aflojando el pomo de bloqueo.

Tras el ajuste, asegúrese de apretar la contratuerca.

- Nunca corte varias piezas de trabajo al mismo tiempo; y asimismo ningún paquete que contenga varias piezas individuales. Existe el riesgo de lesiones personales si la hoja de sierra entra en contacto con piezas individuales sin control.

1. Afloje el perno C y ajuste el soporte del cojinete, de forma que el cojinete de guía se coloque a 1 ó 2 mm de la parte inferior de la hoja. (Fig. 38 - 40)
2. Afloje el perno A y ajuste el cojinete de empuje a la posición de 0,5 mm desde la parte posterior de la hoja.
3. Afloje el perno B y ajuste el cojinete de guía una posición alejada 0,5 mm de la hoja.

### Alineación de la guía inferior de la hoja (Fig. 41)

La guía inferior de la hoja está formada por:

- un cojinete de empuje (que soporta la hoja de la sierra de banda desde la parte posterior).
- dos cojinetes de guía (que proporcionan soporte lateral).

Esas partes deben volver a ajustarse después de cada cambio de hoja de sierra de banda o ajuste de alineación:

#### Nota:

Compruebe periódicamente si existe desgaste en los cojinetes de empuje y los cojinetes de guía, si es necesario reemplace ambos cojinetes de guía al mismo tiempo.

- Abra la puerta inferior de la cubierta y la protección inferior de la hoja.
- Afloje el perno hexagonal, mueva toda la guía inferior de la cuchilla y ajuste el cojinete de guía a una posición de 1 o 2 mm desde la parte inferior de la cuchilla individual.

### Ajuste del cojinete de empuje

1. Afloje el perno A.
2. Ajuste la posición del cojinete de empuje (distancia entre el cojinete de empuje - hoja de sierra de banda = 0,5 mm; si la hoja de la sierra de banda se gira a mano, no debe tocar el cojinete de empuje).
3. Apriete el perno A.

### Ajuste de los cojinetes de guía (Fig. 42)

1. Afloje el perno B.
2. Ajuste el cojinete de guía contra la hoja de la sierra de banda.
3. Gire la rueda de la sierra de banda a mano en la dirección de las agujas del reloj varias veces para colocar los cojinetes de guía en la posición correcta. Afloje el perno A y ajuste el cojinete de empuje a la posición de 0,5 mm desde la parte posterior de la hoja. Ambos cojinetes de guía deben TOCAR SOLAMENTE la hoja de la sierra de banda.
4. Vuelva a apretar el perno B.
5. Cierre el protector de la hoja inferior.
6. Cierre la puerta de la cubierta inferior.

### Alineación de la mesa de la sierra en ángulos rectos respecto a la hoja de la sierra de banda (Fig. 43 y 44)

1. Levante completamente la guía superior de la hoja (consulte "Operación").
2. Compruebe la tensión de la hoja de la sierra de banda (consulte "DESCRIPCIÓN DEL FUNCIONAMIENTO"). Gire el asidero en el sentido de las agujas del reloj para inclinar la mesa en la dirección contraria a las agujas del reloj, y gire el asidero en el sentido contrario a las agujas del reloj para inclinar la mesa en la dirección de las agujas del reloj.
3. Afloje la palanca de bloqueo.
4. Utilice una escuadra para ajustar la mesa en ángulos rectos respecto a la hoja y, a continuación, vuelva a apretar la palanca de bloqueo.
5. Ajuste el tornillo de tope límite hasta que toque el alojamiento de la sierra.

### Operación (Fig. 45 y 46)

#### ⚠ Peligro:

Para reducir el riesgo de lesiones personales en lo posible, deben respetarse las siguientes recomendaciones de seguridad cuando se utilice la sierra.

### **⚠ PRECAUCIÓN:**

- No toque la hoja de sierra durante el corte.
- Durante las operaciones con la sierra, utilice gafas de seguridad, pero no utilice guantes de seguridad.
- Corte las piezas de trabajo únicamente de una en una.
- Sujete siempre la pieza de trabajo sobre la mesa.
- No atasque las piezas de trabajo.
- No intente reducir la velocidad de la hoja de la sierra de banda o detenerla presionando la pieza de trabajo lateralmente contra la hoja de la sierra.
- Cuando realice un corte recto contra el tope utilice un listón de empuje.
- Si el tipo de trabajo lo requiere, use los siguientes elementos:
  - listón de empuje; si la distancia entre el tope lateral y la hoja de la sierra de banda es inferior a  $\leq 150$  mm;
  - soporte de trabajo; para materiales largos, que de otra forma caerían de la mesa al completar el corte;
  - recolector de polvo;
  - cuando corte material redondo, fije de forma segura el material como se muestra en el diagrama.
  - una guía adecuada para proporcionar un apoyo firme cuando corte material fino apoyado sobre un borde.
  - guantes para manejar la banda de sierra y materiales rugosos.
- Antes de iniciar el trabajo, compruebe si los siguientes elementos están en perfecto estado de funcionamiento:
  - hoja de la sierra de banda;
  - protección superior e inferior de la hoja
- Reemplace inmediatamente las piezas dañadas.
- Asuma una posición de trabajo correcta (los dientes de la hoja de la sierra de banda deben apuntar hacia el operario).

## **Aserrado**

### **⚠ ADVERTENCIA:**

Riesgo de contragolpe (la pieza de trabajo queda atrapada por la hoja de la sierra de banda y sale despedida contra el operario.)

No atasque las piezas de trabajo.

- Seleccione el tope lateral y la inclinación de la mesa para el tipo de operación de corte que se va a llevar a cabo.
- Ajuste la guía superior de la hoja 3 mm por encima de la pieza de trabajo.

### **Nota:**

Realice siempre un corte de prueba en un fragmento de material de desecho para comprobar los ajustes y corríjalos si es necesario antes de cortar la pieza de trabajo.

- Coloque la pieza de trabajo en la hoja de la sierra.
- Enchúfela.
- Ponga en marcha la sierra.
- Corte la pieza de trabajo de una sola pasada.
- Apague la máquina si no se va a realizar ningún corte más inmediatamente después.
- Utilice la sub-mesa que se vende por separado.

## **Inclinación de la mesa de la sierra (Fig. 47)**

### **⚠ PRECAUCIÓN:**

Cuando corte en bisel con la mesa inclinada, coloque la guía en la parte inferior de la mesa.

Tras aflojar la palanca de bloqueo la mesa de la sierra se inclina sin ningún paso intermedio 47° contra la hoja.

Gire el asidero en el sentido de las agujas del reloj para inclinar la mesa en la dirección contraria a las agujas del reloj, y gire el

asidero en el sentido contrario a las agujas del reloj para inclinar la mesa en la dirección de las agujas del reloj.

## **Conexión del aspirador (Fig. 48 y 49)**

Se puede lograr un uso más limpio de la herramienta conectándola a una aspiradora o un recolector de polvo de Makita.

Si hay un extractor de polvo acoplado al colector de apertura grande, vuelva a acoplar el colector para asegurarse de que tenga una apertura grande.

## **Cómo mover la máquina (Fig. 50)**

- Levante el asidero para permitir el movimiento de la máquina.
- Durante el transporte, la protección de la banda de sierra debe estar totalmente bajada y cerca de la mesa.
- No utilice la protección para el manejo o transporte.

### **⚠ PRECAUCIÓN:**

- Si el asidero se levanta demasiado alto, la máquina puede volcarse.

# **MANTENIMIENTO**

### **⚠ PRECAUCIÓN:**

- Asegúrese siempre de que la herramienta esté apagada y desenchufada antes de intentar realizar cualquier trabajo de inspección o mantenimiento en ella.

### **AVISO:**

- Nunca utilice gasolina, benceno, disolvente, alcohol o un producto similar. Se puede provocar una decoloración, una deformación o grietas.

### **Limpieza**

Limpie el serrín y los trozos sobrantes de vez en cuando. Limpie con cuidado el protector de disco y las partes móviles del interior de la sierra de banda.

### **Lubricación**

Para mantener la sierra de banda en condiciones óptimas de funcionamiento y, para asegurar una vida útil lo más larga posible, lubrique o engrase las partes móviles y giratorias periódicamente.

Para reducir el ruido emitido, asegúrese siempre de que la cuchilla esté afilada y limpia.

Para mantener la SEGURIDAD y la FIABILIDAD del producto, las reparaciones y cualquier otra tarea de mantenimiento o ajuste deberán ser realizadas en centros de servicio autorizados por Makita, utilizando siempre repuestos Makita.

# **ACCESORIOS**

### **⚠ PRECAUCIÓN:**

- Se recomienda el uso de estos accesorios o complementos con la herramienta Makita especificada en este manual. El uso de otros accesorios o complementos puede conllevar el riesgo de ocasionar daños corporales. Utilice los accesorios o complementos solamente para su fin establecido. Si necesita cualquier ayuda para obtener más información relativa a estos accesorios, pregunte a su centro de servicio Makita local.

- Base de la sierra de banda
- Llave hexagonal
- Tope lateral
- Cartabón de inglete
- Accesorio de corte circular

- Mesa de extensión
- Accesorio de lijado de banda

### **Sólo para los países europeos**

#### **Ruido**

Los niveles de ruido típicos de ponderación A son  
nivel de presión sonora: 81 dB (A)  
nivel de potencia sonora: 94 dB (A)  
Incertidumbre (K): 3 dB (A)

#### **Utilice protección para los oídos.**

Estos valores se han obtenido de acuerdo con EN61029.

#### **Declaración de conformidad de la CE**

**Nosotros, Makita Corporation, en calidad de fabricante responsable, declaramos que las siguientes máquinas Makita:**

Designación de la máquina: Sierra de banda

Nº de modelo/ Tipo: LB1200F

son de producción serie y

#### **Cumplen con las siguientes Directivas europeas:**

2006/42/CE

Y se han fabricado de acuerdo con los siguientes estándares o documentos estandarizados:

EN61029

Nº de certificado de examen de tipo CE: M6A 10 05 26932 017

El examen de tipo CE fue realizado por:

TÜV SÜD Product Service GmbH, Zertifizierstelle,

Ridlerstraße 65, 80339 München, Alemania

Nº de identificación 0123

La documentación técnica la conserva nuestro representante autorizado en Europa, que es:

Makita International Europe Ltd.,

Michigan, Drive, Tongwell,

Milton Keynes, Bucks MK15 8JD, Inglaterra

25. 05. 2010



Tomoyasu Kato

Director

Makita Corporation

3-11-8, Sumiyoshi-cho,

Anjo, Aichi, JAPAN

# PORTUGUÊS (Instruções de origem)

## Descrição geral

1. Roda	25. Estrutura	54. Lâmina da serra
2. Tampa superior	26. Pega	55. Armação da serra
3. Interruptor da luz	27. Anilha	56. Resguardo da lâmina inferior
4. Interruptor	28. Parafuso de cabeça cilíndrica sextavado	57. Alavanca de libertação rápida
5. Vedação para escarificação	29. Mola da chapa	58. Disco da serra de banda inferior
6. Tampa inferior	30. Orifício de fixação	59. Polia do motor
7. Pega de transporte	31. Orifício de posicionamento	60. Correia de accionamento
8. Caixa do pó	32. Mesa	61. Polia do disco de accionamento
9. Manípulo (Para tensionar a lâmina)	33. Parafusos sextavados	62. Aprox. 10 mm
10. Manípulo (Para fixar a porta da armação superior)	34. Suporte	63. Manípulo de bloqueio
11. Manípulo (Para ajustar a lâmina-guia)	35. Pino	64. Manípulo de ajuste
12. Manípulo (Para fixar a lâmina-guia)	36. Parafuso de polegar	65. Rolamento de guia
13. Lâmina-guia superior	37. Carril de guia	66. Parafuso A
14. Lâmina	38. Tampa do interruptor	67. Distância do rolamento de guia do fundo da lâmina
15. Manípulo (Para fixar a porta da armação inferior)	39. Interruptor OFF	68. Parafuso C
16. Manípulo (Para tensionar a correia trapezoidal)	40. Interruptor ON	69. Parafuso B
17. Correia de accionamento	41. ON	70. Suporte de rolamento
18. Suporte	42. Extensão	71. Rolamento de impulso
19. Pneu	43. Medidor de corte angular	72. Parafuso
20. Alavanca de bloqueio (Para fixar a inclinação da mesa)	44. Pega de bloqueio	73. Porca
21. Porta de extracção do pó	45. Manípulo	74. Colector de abertura grande
22. Alavanca (Libertação rápida)	46. Manípulo (A)	75. Colector de abertura pequena
23. Manípulo (Para ajustar o alinhamento da ferramenta de corte)	47. Vedação	76. Apanha-pó pequeno (Montado na unidade principal)
24. Pega (Para ajustar a inclinação da mesa)	48. Alavanca de bloqueio	77. Apanha-pó grande (Para permutação)
	49. Suporte da vedação	78. Calha
	50. Manípulo (B)	79. Ombro
	51. Grampo de aperto	80. Parafuso sextavado
	52. Parafusos de polegar	
	53. Protecção para o pó	

## ESPECIFICAÇÕES

Modelo	LB1200F	
Tamanho do disco	305 mm	
Capacidade máxima de corte	165 mm	
Velocidade sem carga	Alta	840 min <sup>-1</sup> (50 Hz)/1.040 min <sup>-1</sup> (60 Hz)
	Baixo	420 min <sup>-1</sup> (50 Hz)/520 min <sup>-1</sup> (60 Hz)
Velocidade de corte	Alta	13,3 m/s (800 m/min) (50 Hz)/16,7 m/s (1.000 m/min) (60 Hz)
	Baixo	6,7 m/s (400 m/min) (50 Hz)/8,3 m/s (500 m/min) (60 Hz)
Tamanho da lâmina	Circunferência 2.240 mm x Largura 6 mm, 13 mm, 16 mm	
Dimensões gerais	615 mm x 775 mm x 1.600 mm	
Tamanho da mesa	560 mm x 400 mm	
Peso líquido	81,2 kg	

- Devido à pesquisa e desenvolvimento constantes, estas especificações estão sujeitas a alteração sem aviso prévio.
- Estas especificações podem diferir de país para país.
- Peso de acordo com procedimento EPTA de 01/2003

### Símbolos

END215-2

Descrição dos símbolos utilizados na ferramenta. Certifique-se de que compreende o seu significado, antes da utilização.



..... Leia o manual de instruções.



..... Retirar a ficha principal.



..... Use óculos de segurança.



..... Não aproxime as mãos nem os dedos da lâmina.



..... Apenas para países da UE  
Não deite equipamentos eléctricos no lixo doméstico!

De acordo com a directiva europeia 2002/96/CE sobre ferramentas eléctricas e electrónicas usadas e a sua aplicação para as leis nacionais, as ferramentas eléctricas usadas devem ser recolhidas em separado e encaminhadas a uma instalação de reciclagem dos materiais ecológicos.

### Utilização prevista

A ferramenta destina-se a cortar madeira.

### Fonte de alimentação

A ferramenta apenas deve ser ligada a uma fonte de alimentação da mesma tensão que a indicada na chapa de especificações, e apenas pode funcionar com uma alimentação CA monofásica. Estão blindadas duplamente, de acordo com a Norma Europeia e podem, assim, ser igualmente ligadas a tomadas sem fio terra.

# INSTRUÇÕES DE SEGURANÇA ENA001-2

**⚠ AVISO:** Quando utilizar ferramentas eléctricas, devem ser sempre cumpridas as precauções de segurança básicas, incluindo as que se seguem, de forma a reduzir o risco de incêndios, choques eléctricos e ferimentos. Leia todas as instruções antes de utilizar este produto e guarde-as.

**Para uma utilização com segurança:**

- 1. Mantenha a área de trabalho limpa.**  
Áreas e objectos mal arrumados podem provocar ferimentos.
- 2. Tenha em conta o ambiente da área de trabalho.**  
Não molhe as ferramentas eléctricas. Não utilize as ferramentas eléctricas em locais húmidos ou molhados. Mantenha a área de trabalho bem iluminada. Não utilize as ferramentas eléctricas onde haja risco de incêndio ou de explosões.
- 3. Proteja-se contra choques eléctricos.**  
Evite contacto corporal com superfícies ligadas à terra (tais como tubos, radiadores, aquecedores e frigoríficos).
- 4. Mantenha as crianças longe da área de trabalho.**  
Não permita que pessoas estranhas à área de trabalho mexam nas ferramentas ou nos cabos eléctricos. Todas as pessoas estranhas à área de trabalho devem ser mantidas longe da mesma.
- 5. Guarde as ferramentas que não são utilizadas.**  
Quando não forem utilizadas, as ferramentas devem ser guardadas em locais secos, altos e fechados, fora do alcance das crianças.
- 6. Não force a ferramenta.**  
Fará o trabalho da melhor forma, com mais segurança e à velocidade para a qual foi concebida.
- 7. Utilize a ferramenta correcta.**  
Não utilize ferramentas pequenas ou acessórios para fazer o trabalho de uma ferramenta de trabalhos pesados. Não utilize as ferramentas para algo para o qual não foram concebidas, por exemplo, não use serras circulares para cortar árvores ou ramos.
- 8. Vista-se de forma adequada.**  
Não vista roupa larga ou bijuteria, pois podem prender-se às peças móveis. Luvas de borracha e calçado anti-derrapante são recomendáveis para quando trabalhar no exterior. Caso tenha cabelo comprido utilize equipamento adequado para o prender.
- 9. Use óculos de protecção e protecção para os ouvidos.**  
Use igualmente uma máscara para a cara ou para o pó em caso de uma operação de corte.
- 10. Ligação de equipamento de extracção de pó.**  
Caso existam dispositivos para a ligação de equipamento de extracção e recolha do pó, certifique-se de que estes são ligados e utilizados correctamente.
- 11. Não force o cabo de alimentação.**  
Nunca transporte uma ferramenta pelo cabo, nem nunca o puxe para o tirar da tomada. Mantenha o cabo longe de fontes de calor, óleo ou pontas afiadas.
- 12. Mantenha a segurança na área de trabalho.**  
Utilize garras ou um torno de bancada para segurar a peça de trabalho. É mais seguro que usar uma das mãos e liberte ambas as mãos para utilizar a ferramenta.
- 13. Não coloque os dedos no interior.**  
Mantenha-se sempre bem equilibrado e apoiado.
- 14. Mantenha as ferramentas bem cuidadas.**  
Mantenha as ferramentas de corte afiadas e limpas para um desempenho melhor e mais seguro. Siga as instruções para lubrificar e mudar acessórios. Inspeccione o fio da ferramenta

periodicamente e caso esteja danificado entregue a ferramenta a um distribuidor autorizado para reparação. Inspeccione as extensões periodicamente e substitua-as caso estejam danificadas. Mantenha as pegas secas, limpas e sem óleo ou gordura.

- 15. Desligue as ferramentas.**  
Quando não estiverem a ser usadas, antes de as limpar e quando mudar de acessórios como lâminas, brocas e cortadores.
- 16. Retire as chaves de ajuste e as chaves fixas.**  
Crie o hábito de verificar se as chaves de ajuste ou fixas foram retiradas da ferramenta antes de a utilizar.
- 17. Evite os arranques acidentais.**  
Não transporte uma ferramenta ligada com o dedo no interruptor. Certifique-se de que o interruptor está desligado quando ligar a ferramenta à tomada.
- 18. Utilize extensões próprias para exterior.**  
Quando utilizar uma ferramenta no exterior, use apenas extensões próprias para o trabalho no exterior.
- 19. Mantenha-se atento.**  
Tenha cuidado com o que faz. Utilize o senso comum. Não use ferramentas quando estiver cansado.
- 20. Verifique a existência de peças danificadas.**  
Antes de voltar a utilizar uma ferramenta, uma protecção ou outra peça danificada, verifique-a com cuidado para se certificar de que funciona correctamente. Verifique o alinhamento das peças móveis, a sua montagem, se há peças soltas, se há peças partidas e outras condições que possam afectar o funcionamento da ferramenta. A protecção ou outra peça danificada deve ser reparada convenientemente ou substituída por um agente autorizado a não ser que o manual de instruções indique em contrário. Consulte um agente autorizado para substituir os interruptores defeituosos. Não utilize a ferramenta se o interruptor não ligar e desligar.
- 21. Aviso.**  
O uso de quaisquer acessórios que não os recomendados neste manual de instruções ou no catálogo, pode provocar o risco de ferimentos.
- 22. Consulte pessoal especializado para reparar a ferramenta.**  
Esta ferramenta eléctrica respeita os requerimentos necessários de segurança. As reparações devem ser efectuadas por pessoal qualificado utilizando peças sobresselentes, caso contrário pode resultar um perigo para o utilizador.

## REGRAS DE SEGURANÇA ADICIONAIS PARA A FERRAMENTA

### GUARDE ESTAS INSTRUÇÕES.

- 1. Utilize protecção para os olhos.**
- 2. Não utilize a ferramenta na presença de líquidos ou gases inflamáveis.**
- 3. Use sempre uma máscara ou protecção contra o pó.**
- 4. Verifique cuidadosamente se a lâmina apresenta fissuras ou danos, antes de utilizar. Substitua imediatamente uma lâmina fissurada ou danificada.**
- 5. Utilize apenas lâminas recomendadas pelo fabricante e em conformidade com EN847-1.**
- 6. Utilize sempre os acessórios recomendados neste manual. A utilização de acessórios inadequados como discos de corte abrasivos, pode causar ferimentos.**
- 7. Selecione a lâmina correcta para o material a cortar.**

8. Não utilize lâminas fabricadas em aço para altas velocidades.
9. Para reduzir o nível de emissão de ruído, certifique-se sempre de que a lâmina está afiada e limpa.
10. Não corte metais como pregos e parafusos. Verifique a existência e retire todos os pregos, parafusos e outro material estranho da peça de trabalho, antes de utilizar a ferramenta.
11. Retire chaves, peças de corte, etc. da mesa antes de ligar o interruptor.
12. NUNCA utilize luvas durante a operação.
13. Mantenha as mãos afastadas do percurso da lâmina da serra.
14. NUNCA se situe nem permita que alguém se situe no percurso da lâmina da serra.
15. Antes de utilizar a ferramenta numa peça de trabalho, deixe-a a trabalhar durante algum tempo. Procure a existência de vibrações ou abanamentos que possam indicar uma má fixação ou uma lâmina mal equilibrada.
16. Substitua a inserção da mesa quando estiver desgastada.
17. Ligue a serras de banda a um dispositivo de recolha de pó enquanto estiver a serrar madeira.
18. Não utilize a máquina quando a porta ou o resguardo de protecção da banda de serra estão abertos.
19. Atenção, a selecção da banda da serra e a velocidade depende do material a cortar.
20. Não limpe a banda da serra enquanto está em movimento.

## INSTALAÇÃO (Fig. 1 e 2)

### Fixar o suporte da serra de banda

Se, durante a operação, existir uma tendência da serra de banda virar, deslizar ou deslocar-se, o suporte da serra de banda deve ser fixo ao chão. (Fig. 3 - 7)

- Após instalar o suporte, instale a pega e os pneus. (Fig. 8)

### Como carregar a caixa do pó

A caixa do pó é carregada a partir do lado inferior da serra de mesa. Ao carregar, insira de mola da chapa (para fixar) na extremidade interior do orifício de posicionamento da máquina, encaixe os dois ombros da caixa de pó nas calhas e deslize para o exterior.

Assim que a extremidade dianteira da mola da placa de fixação encaixar no orifício de fixação da máquina, a caixa do pó é carregada. (Fig. 9 e 10)

Fixe a mesa no suporte utilizando quatro parafusos sextavados. (Fig. 11)

O pino é introduzido aquando do envio, por isso, retire-o. (Fig. 12)

### Instalar o carril de guia (Fig. 13)

- Aperte o carril de guia à mesa com quatro parafusos de polegar e anilhas.

## DESCRIÇÃO DO FUNCIONAMENTO

### O gatilho/interruptor (Fig. 14)

#### ⚠ PRECAUÇÃO:

- Antes da operação, certifique-se de que a ferramenta é ligada e desligada.

A tampa do interruptor pode ser facilmente aberta deslizando-a para cima.

Para colocar a ferramenta em funcionamento, prima o botão ON (I).

Para parar a ferramenta, prima o botão OFF (O) ou a tampa do interruptor.

### Acender as lâmpadas

Coloque o interruptor na posição superior (I) para ligar a luz e coloque-o na posição inferior (O) para a desligar.

Para colocar a ferramenta em funcionamento, levante o interruptor de alavanca. (Fig. 15)

Para parar a ferramenta, baixe o interruptor de alavanca.

### Extensão (Fig. 16)

A extensão, como o nome indica, serve como uma extensão da mão e protege contra o contacto accidental com a lâmina da serra. A extensão tem de ser sempre utilizada se a distância entre a lâmina da serra de banda e uma vedação para escarificação for inferior a 150 mm.

Oriente a extensão a um ângulo de 20° ... 30° em relação à superfície da mesa da serra. (Fig. 17)

Quando a extensão não é utilizada, pode ser armazenada no suporte da extensão fornecido na estrutura da serra de banda. Substitua a extensão, se estiver danificada.

### Medidor de corte angular (Fig. 18)

O medidor de corte angular é introduzido na ranhura da mesa a partir da extremidade dianteira da mesa.

Para cortes angulares, o medidor de corte angular roda para 60° em ambas as direcções.

Para cortes angulares a 45° e 90°, são fornecidas paragens positivas.

Para definir um ângulo de corte angular: desaperte a pega de bloqueio rodando-a para a esquerda.

#### ⚠ AVISO:

**Quando cortar com o medidor de corte angular, a pega de bloqueio tem de estar bem apertada.**

A vedação auxiliar pode ser retirada e invertida após desapertar o manípulo.

### Instalar a vedação para escarificação (Fig. 19)

A vedação para escarificação pode ser utilizada em ambos os lados da lâmina. Quando a vedação para escarificação é deslocada de um lado da lâmina da serra para o outro, a vedação necessita de ser invertida.

### Inverter a vedação (Fig. 20)

1. Desaperte o manípulo (B) do grampo de aperto.
2. Retire o grampo de aperto da vedação.
3. Desaperte o manípulo (A).
4. Retire a vedação do suporte da vedação.
5. Inverta a vedação e deslize-a novamente para o suporte da vedação.
6. Aperte o manípulo (A).
7. Deslize o grampo de aperto na vedação.

### Apertar a vedação para escarificação

1. Coloque a vedação para escarificação no carril de guia.
2. Aperte a alavanca de bloqueio da vedação para escarificação.
3. Desaperte o manípulo (B) do grampo de aperto.
4. Deslize o grampo de aperto contra a extremidade da mesa traseira.
5. Aperte o manípulo (B).

A altura da vedação pode ser diminuída ao cortar materiais finos. (Fig. 21 e 22)

1. Desaperte o manípulo (B) do grampo de aperto.
  2. Retire o grampo de aperto da vedação.
  3. Desaperte o manípulo (A).
  4. Retire a vedação do suporte da vedação.
  5. Deslize o manípulo (A) no sentido oposto à vedação para retirar.
  6. Rode a vedação 90°.
  7. Introduza o manípulo (A) na outra ranhura da vedação.
  8. Coloque a vedação no suporte da vedação.
  9. Aperte o manípulo (A).
  10. Deslize o grampo de aperto na vedação.
- Quando a altura da vedação tiver sido diminuída, o ponto 0 (zero) muda. Se a vedação para escarificação se encontrar no lado esquerdo da lâmina, deslize o carril de guia para a esquerda para ajustar ao ponto 0.

## MONTAGEM

### Substituir a lâmina da serra de banda

#### ⚠ PRECAUÇÃO:

- Entrar em contacto com a lâmina da serra de banda, mesmo com a lâmina da serra de lâmina parada, pode causar um ferimento pessoal.
  - Uma lâmina de serra é perigosa. Certifique-se de que usa luvas quando manusear a lâmina de serra ao embalar, montar ou substituir.
1. Desaperte os dois parafusos de polegar para o carril de guia direito e deslize o carril direito para a direita. (Fig. 23)
  2. Abra a tampa superior e a tampa inferior na ferramenta. (Fig. 24)
  3. Segure a pega e puxe a protecção para o pó para cima para retirar. (Fig. 25)
  4. Abra o resguardo da lâmina inferior. (Fig. 26)
  5. Defina a lâmina-guia superior para a posição mais baixa.
  6. Desaperte a alavanca de libertação rápida até a lâmina da serra de banda ficar com folga. (Fig. 27)
  7. Para retirar a lâmina da serra de banda, oriente-a.
    - pela ranhura na lâmina da serra.
    - pelo resguardo da lâmina nas lâminas-guia superiores.
    - pelo resguardo da lâmina na armação da serra.
  8. Instale uma lâmina da serra de banda nova. Respeite a posição correcta: o ponto dos dentes na direcção do lado dianteiro (porta) da serra.
  9. Lâmina da serra de banda central nos pneus de borracha dos discos da serra de banda.
  10. Aperte a alavanca de libertação rápida até a lâmina não patinar para fora dos discos da serra de banda.
  11. Feche o resguardo da lâmina inferior.

#### ⚠ PRECAUÇÃO:

Feche a tampa inferior apenas quando o resguardo da lâmina inferior se encontra na posição de fechado.

12. Volte a colocar o carril de guia direito na posição inicial. (Fig. 28 e 29)
13. Instale a protecção para o pó.
14. Feche ambas as tampas.
15. De seguida:
  - tensione a lâmina da serra de banda (Consulte a secção intitulada “Tensionar a lâmina da serra de banda” em “DESCRIÇÃO DO FUNCIONAMENTO”).

- alinhe a lâmina da serra de banda (Consulte a secção intitulada “Alinhar a lâmina da serra de banda” “MONTAGEM”).
- alinhe as lâminas-guia (Consulte a secção intitulada “Ajustar a lâmina-guia superior” em “DESCRIÇÃO DO FUNCIONAMENTO”).
- deixe o teste da serra em funcionamento, no mínimo, um minuto;
- pare a serra, desligue-a da corrente eléctrica e verifique novamente as definições.

### Ajuste da velocidade de corte (Fig. 30)

1. Abra a tampa inferior.
2. Desaperte a correia de accionamento rodando o manípulo para a direita.
3. Coloque a correia de accionamento na polia necessária do disco de accionamento (disco da serra de banda inferior) e a polia do motor correspondente-atente na etiqueta no interior da tampa inferior.

#### ⚠ PRECAUÇÃO:

A correia de accionamento tem de funcionar em ambas as polias dianteiras ou ambas as polias traseiras. Nunca coloque a correia trapezoidal em funcionamento na diagonal.

### Manípulo de regulação para tensão da correia (Fig. 31)

Com o manípulo de regulação, a tensão da correia é corrigida, se necessário:

- rodar o manípulo de configuração para a direita reduz a tensão da correia de accionamento.
- rodar o manípulo de configuração para a esquerda aumenta a tensão da correia de accionamento.

Aperte novamente a correia de accionamento rodando o manípulo para a esquerda (a meio, entre as polias, a correia de accionamento deve curvar aprox. 10 mm). (Fig. 32)

Feche a tampa inferior.

## DESCRIÇÃO DO FUNCIONAMENTO

### Tensionar a lâmina da serra de banda (Fig. 33)

#### ⚠ PRECAUÇÃO:

**Demasiada tensão pode fazer com que a lâmina da serra de banda quebre. Tensão insuficiente pode fazer com que o disco da serra de banda accionado patine e a lâmina da serra de banda pare.**

1. Levante a lâmina-guia superior ao máximo. Utilizar a escala como guia e ter a largura da lâmina em consideração, rode o manípulo para ajustar a tensão. (Após o ajuste, verifique a tensão como mostrado no item 2.)
2. Verificar a tensão da lâmina:
  - verifique a tensão empurrando com um dedo, a meio, entre a mesa e a lâmina-guia superior, contra a parte lateral da lâmina (a lâmina não deve curvar mais do que 1-2 mm).
  - verifique o ajuste no indicador de tensão da lâmina. A escala indica o ajuste correcto dependendo da largura da lâmina da serra de banda.
3. Se necessário, corrija a tensão:
  - rodar o manípulo de configuração para a direita aumenta a tensão da lâmina.
  - rodar o manípulo de configuração para a esquerda reduz a tensão da lâmina.

### Alinhar a lâmina da serra de banda (Fig. 34)

Se a lâmina da serra de banda não funcionar no centro dos pneus de borracha, o alinhamento necessita de ser corrigido ajustando a inclinação do disco da serra de banda superior:

1. Desaperte o manípulo de bloqueio.
2. Rode manualmente o disco superior, tendo cuidado para não tocar na lâmina.
3. Rode o manípulo de configuração para a direita se a lâmina da serra de banda se deslocar para a parte dianteira da serra.  
- rode o manípulo de configuração para a esquerda se a lâmina da serra de banda se deslocar para a parte traseira da serra.
4. Após ajustar, feche sempre o manípulo de bloqueio. (Fig. 35)

### Alavanca de libertação rápida (Fig. 36)

Com a alavanca de libertação rápida, a tensão da lâmina da serra é libertada.

Para a direita: Reduz a tensão

Para a esquerda: Aumenta a tensão

### Ajuste da lâmina-guia superior (Fig. 37)

A altura da lâmina-guia superior necessita de ser ajustada: antes de cada corte/operação, para adaptar a altura da peça de trabalho (a lâmina-guia superior deve ser colocada aprox. 3 mm acima da peça de trabalho);

- após os ajustes da lâmina da serra de banda ou mesa da serra (por exemplo, substituição da lâmina da serra de banda, tensionamento da lâmina da serra de banda, alinhamento da mesa da serra).

#### ⚠ PRECAUÇÃO:

Antes de ajustar a lâmina-guia superior e a inclinação da mesa da serra:

- desligue a máquina;
- aguarde até que a lâmina da serra de banda pare por completo.

- Defina a lâmina-guia superior com o manípulo de ajuste para a altura pretendida, desapertando o manípulo de bloqueio. Após o ajuste, certifique-se de que aperta a porca de bloqueio.
- Nunca corte várias peças de trabalho ao mesmo tempo — nem molhos com várias peças de trabalho. Risco de ferimentos pessoais se as peças individuais forem apanhadas pela lâmina de serra descontrolada.

1. Desaperte o parafuso C e ajuste o suporte do rolamento, de modo a que o rolamento de guia esteja posicionado a 1 ou 2 mm a partir da parte inferior da lâmina. (Fig. 38 - 40)
2. Desaperte o parafuso A e ajuste o rolamento de impulso para uma posição de 0,5 mm a partir da parte traseira da lâmina.
3. Desaperte o parafuso B e ajuste o rolamento de guia para uma posição 0,5 mm afastada da lâmina.

### Alinhe a lâmina-guia inferior (Fig. 41)

A lâmina-guia inferior consiste em:

- um rolamento de impulso (que suporta a lâmina da serra de banda a partir da parte traseira).
- dois rolamentos de guia (que fornecem suporte lateral).

Estas peças necessitam de ser reajustadas após cada substituição da lâmina da serra de banda ou ajuste do alinhamento.

#### Nota:

Verifique periodicamente os rolamentos de impulso e os rolamentos de guia por desgaste, se necessário, substitua ambos os rolamentos de guia ao mesmo tempo.

- Abra a porta da tampa inferior e o resguardo da lâmina inferior.

- Desaperte o parafuso sextavado, desloque a lâmina-guia inferior inteira e ajuste o guia do rolamento para uma posição a 1 ou 2 mm da parte inferior da lâmina individual.

### Ajustar o rolamento de impulso

1. Desaperte o parafuso A.
2. Ajuste a posição do rolamento de impulso (distância do rolamento de impulso - lâmina da serra de banda = 0,5 mm — se a lâmina da serra de banda for rodada à mão, não pode tocar no rolamento de impulso).
3. Aperte o parafuso A.

### Ajustar os rolamentos de guia (Fig. 42)

1. Desaperte o parafuso B.
2. Coloque o rolamento de guia contra a lâmina da serra de banda.
3. Rode o disco da serra de banda à mão várias vezes para a direita, para colocar os rolamentos de guia na posição correcta. Desaperte o parafuso A e ajuste o rolamento de impulso para uma posição de 0,5 mm a partir da parte traseira da lâmina. Ambos os rolamentos de guia devem APENAS ENCOSTAR à lâmina da serra de banda.
4. Aperte novamente o parafuso B.
5. Feche o resguardo da lâmina inferior.
6. Feche a porta da tampa inferior.

### Alinhar a mesa da serra a ângulos rectos em relação à lâmina da serra de banda (Fig. 43 e 44)

1. Eleve a lâmina-guia superior ao máximo (consulte “Funcionamento”).
2. Verifique a tensão da lâmina da serra de banda (consulte “DESCRIÇÃO DO FUNCIONAMENTO”). Rode a pega para a direita para inclinar a mesa numa direcção para a esquerda e rode a pega para a esquerda para inclinar a mesa numa direcção para a direita.
3. Desaperte a alavanca de bloqueio.
4. Utilizando um esquadro, coloque a mesa a ângulos rectos relativamente à lâmina, rodando a pega para ajustar a mesa e aperte novamente a alavanca de bloqueio.
5. Ajuste o parafuso batente até entrar em contacto com a armação da serra.

### Funcionamento (Fig. 45 e 46)

#### ⚠ Perigo:

**Para reduzir ao máximo o risco de ferimentos pessoais, quando utilizar a serra, deve cumprir as recomendações de segurança seguintes.**

#### ⚠ PRECAUÇÃO:

- Não toque na lâmina de serra quando cortar.
- Durante o funcionamento da serra, use óculos de segurança, mas não use luvas.
- Corte apenas uma peça de trabalho de cada vez.
- Segure sempre a peça de trabalho na mesa.
- Não encrave as peças de trabalho.
- Não tente abrandar a lâmina da serra de banda nem a pare empurrando a peça de trabalho contra a lâmina da serra a partir do lado.
- Quando cortar em linha recta contra a guia, utilize uma barra para empurrar o material.
- Se o tipo de trabalho exigir, utilize o seguinte:
  - puxar extensão — se a distância vedação para escarificação
  - lâmina da serra de banda  $\leq$  150 mm;



- suporte de trabalho — para stock longo, caso contrário, cairia da mesa aquando da conclusão do corte;
  - colector de pó;
  - quando cortar um material redondo, fixe o material tal como mostrado no diagrama.
  - um guia adequado para um suporte firme quando cortar stock fino colocado na extremidade.
  - luvas para manusear a banda de serra e material áspero.
- Antes de iniciar o trabalho, verifique se os seguintes se encontram num bom estado de funcionamento.
    - lâmina da serra de banda;
    - resguardo da lâmina superior e inferior.
  - Substitua imediatamente as peças danificadas.
  - Assuma uma posição de trabalho correcta (os dentes da lâmina da serra de banda têm de estar apontados na direcção do operador).

## Serrar

### ⚠ AVISO:

Risco de recuo (a peça de trabalho entra em contacto com a lâmina da serra de banda e é projectada contra o operador.) Não encrave as peças de trabalho.

- Selecione vedação para escarificação e inclinação da mesa para o tipo de operação de corte a efectuar.
- Coloque a lâmina-guia superior 3 mm acima da peça de trabalho.

### Nota:

Efectue sempre um corte experimental numa peça velha para verificar as definições, se necessário, corrija-as antes de cortar a peça de trabalho.

- Coloque a peça de trabalho na lâmina da serra.
- Ligue à corrente eléctrica.
- Ligue a serra.
- Corte a peça de trabalho numa única passagem.
- Desligue a máquina se não efectuar mais cortes imediatamente a seguir.
- Utilize uma sub-mesa vendida em separado.

## Inclinação da mesa da serra (Fig. 47)

### ⚠ PRECAUÇÃO:

Ao efectuar cortes em bisel com a mesa inclinada, coloque o guia na parte inferior da mesa.

Após desapertar a alavanca de bloqueio, a mesa da serra inclina sem interrupções até 47° contra a lâmina.

Rode a pega para a direita para inclinar a mesa numa direcção para a esquerda e rode a pega para a esquerda para inclinar a mesa numa direcção para a direita.

## Ligar ao aspirador (Fig. 48 e 49)

As operações de limpeza pode ser desempenhadas ao ligar a ferramenta ao aspirador ou colector de pó Makita. Se estiver instalado um extractor de pó no colector de abertura grande, reposicione o colector de pó para garantir que tem uma abertura grande.

## Como deslocar a máquina (Fig. 50)

- Eleve a pega para permitir a deslocação da máquina.
- Durante o transporte, a banda da serra deve estar totalmente para baixo e próximo da mesa.
- Não utilize protecção para manusear ou transportar.

### ⚠ PRECAUÇÃO:

- Se elevar demasiado a pega, a máquina pode virar.

# MANUTENÇÃO

### ⚠ PRECAUÇÃO:

- Certifique-se sempre de que a ferramenta está desligada no interruptor e da tomada antes de inspecionar ou fazer a manutenção da ferramenta.

### AVISO:

- Nunca utilize gasolina, benzina, diluente, álcool ou semelhante. Podem formar-se descolorações, deformações ou fissuras.

### Limpeza

Limpe o pó da serra e aparas periodicamente. Limpe cuidadosamente a protecção da lâmina e as peças móveis dentro da serra de banda.

### Lubrificação

Para manter a serra de banda em excelente condição de funcionamento e para garantir uma maior vida útil, lubrifique as peças móveis e giratórias periodicamente.

Para reduzir o ruído emitido, certifique-se sempre de que a lâmina está afiada e limpa.

Para manter os níveis de SEGURANÇA e FIABILIDADE definidos para este produto, as reparações e os procedimentos de manutenção ou ajustes devem ser executados por centros de assistência Makita autorizados, utilizando sempre peças de substituição Makita.

# ACESSÓRIOS

### ⚠ PRECAUÇÃO:

- Os seguintes acessórios ou extensões são os recomendados para utilizar com a ferramenta Makita especificada neste manual. A utilização de quaisquer outros acessórios poderá representar um risco de ferimento para as pessoas. Apenas utilize o acessório para o fim indicado. Se precisar de informações adicionais relativas aos acessórios, contacte o centro local de assistência Makita.

- Suporte da serra de banda
- Chave sextavada
- Vedação para escarificação
- Medidor de corte angular
- Acessório de corte circular
- Mesa de extensão
- Acessório de correia de lixagem

### Apenas para os países europeus

#### Ruído

Os níveis típicos de ruído ponderado A são

nível de pressão sonora: 81 dB (A)

nível de potência sonora: 94 dB (A)

Incerteza (K): 3 dB (A)

#### Use protecção para os ouvidos.

Estes valores foram obtidos de acordo com a norma EN61029.

### Declaração de conformidade CE

**A Makita Corporation, na qualidade do fabricante responsável, declara que a(s) máquina(s) Makita seguinte(s):**

Designação da máquina: Serra de fita

N.º de modelo/Tipo: LB1200F

são produzidas em série e

**estão em conformidade com as Directivas Europeias seguintes:**

2006/42/EC

E são fabricadas de acordo com as normas ou os documentos padronizados seguintes:

EN61029

O Certificado de Exame de tipo CE N° M6A 10 05 26932 017

O Certificado de Exame CE de Tipo foi executado por:

TÜV SÜD Product Service GmbH, Zertifizierstelle,

Ridlerstraße 65, 80339 München, Alemanha

N° identificação 0123

A documentação técnica é mantida pelo nosso representante autorizado na Europa, que é:

Makita International Europe Ltd.,

Michigan, Drive, Tongwell,

Milton Keynes, Bucks MK15 8JD, Inglaterra

25. 05. 2010



Tomoyasu Kato

Director

Makita Corporation

3-11-8, Sumiyoshi-cho,

Anjo, Aichi, JAPAN

# DANSK (Originalvejledning)

## Forklaring til generel oversigt

1. Hjul	26. Håndtag	54. Savklinge
2. Øverste dæksel	27. Skive	55. Savhus
3. Lyskontakt	28. Sekskantet hovedbolt	56. Nederste klingebeskytter
4. Afbryderkontakt	29. Fladfjeder	57. Hurtigudløserhåndtag
5. Kløveanslag	30. Fastgørelses hul	58. Nederste båndsavshjul
6. Nederste dæksel	31. Positionshul	59. Motortalje
7. Bærehåndtag	32. Bord	60. Drivrem
8. Støvboks	33. Sekskantbolte	61. Talje til drivhjul
9. Knap (til spænding af savklinge)	34. Akseltap	62. Ca. 10 mm
10. Knap (til fastgørelse af husets øverste låge)	35. Split	63. Låseknop
11. Knap (til justering af klingestyr)	36. Vingeskrue	64. Justeringsknop
12. Knap (til fastgørelse af klingestyr)	37. Støtteskinne	65. Styreløje
13. Øverste klingestyr	38. Afbryderdæksel	66. Bolt A
14. Savklinge	39. SLUK-kontakt	67. Styreløjeafstand fra savklingens bund
15. Knap (til fastgørelse af husets nederste låge)	40. TÆND-kontakt	68. Bolt C
16. Knap (til spænding af V-rønnen)	41. TÆND	69. Bolt B
17. Drivrem	42. Skubbestok	70. Lejeholder
18. Stander	43. Geringsskala	71. Trykleje
19. Hjul	44. Låsehåndtag	72. Skrue
20. Låsearm (til fastgørelse af bordhældning)	45. Knap	73. Møtrik
21. Støvsugningsåbning	46. Knap (A)	74. Stor åbning til opsamler
22. Hurtigudløserhåndtag	47. Anslag	75. Lille åbning til opsamler
23. Knap (til justering af saveværktøjssporing)	48. Låsearm	76. Lille støvopsamler (monteret på hovedenheden)
24. Greb (til justering af bordhældning)	49. Anslagholder	77. Stor støvopsamler (til skift)
25. Ramme	50. Knap (B)	78. Skinne
	51. Skruetvinge	79. Skulder
	52. Vingeskrue	80. Sekskantbolt
	53. Støvdæksel	

## SPECIFIKATIONER

Model	LB1200F	
Hjulstørrelse	305 mm	
Maks. skærekapacitet	165 mm	
Hastighed uden belastning	Høj	840 min <sup>-1</sup> (50 Hz)/1.040 min <sup>-1</sup> (60 Hz)
	Lav	420 min <sup>-1</sup> (50 Hz)/520 min <sup>-1</sup> (60 Hz)
Savehastighed	Høj	13,3 m/s (800 m/min) (50 Hz)/16,7 m/s (1.000 m/min) (60 Hz)
	Lav	6,7 m/s (400 m/min) (50 Hz)/8,3 m/s (500 m/min) (60 Hz)
Klingestørrelse	Omkreds 2.240 mm x bredde 6 mm, 13 mm, 16 mm	
Samlede mål	615 mm x 775 mm x 1.600 mm	
Bordstørrelse	560 mm x 400 mm	
Nettovægt	81,2 kg	

- På grund af vores løbende forsknings- og udviklingsprogram kan specifikationerne heri ændres uden forudgående varsel.
- Specifikationerne kan variere fra land til land.
- Vægt i henhold til EPTA-procedure 01/2003

### Symboler

END215-2

Følgende viser de symboler, der benyttes til maskinen. Vær sikker på, at du forstår deres betydning, før du bruger maskinen.



..... Læs brugsanvisningen.



..... Tag stikket ud af stikkontakten.



..... Bær beskyttelsesbriller.



..... Placer ikke hånd eller fingre tæt på klingens.



..... Kun for EU-lande  
Eleværktøj må ikke bortskaffes som almindeligt affald!  
I henhold til det europæiske direktiv 2002/96/EF om

bortskaffelse af elektriske og elektroniske produkter og gældende national lovgivning skal brugt elværktøj indsamles separat og returneres til miljøgodkendt genindvinding.

### Tilsigtet anvendelse

Maskinen er beregnet til skæring i træ.

### Strømforsyning

Maskinen bør kun sluttes til en strømforsyning med den spænding, der er angivet på mærkepladen, og den kan kun benyttes med enkeltfasnet vekselstrøm. Den er dobbelt isoleret i overensstemmelse med europæisk standard og kan derfor også sluttes til stikkontakter uden jordforbindelse.

# SIKKERHEDSINSTRUKTIONER ENA001-2

**⚠ ADVARSEL:** Ved brug af elektriske maskiner skal de grundlæggende sikkerhedsforholdsregler, inklusive de følgende, altid overholdes for at reducere risikoen for brand, elektrisk stød og personskade. Læs alle disse instruktioner inden anvendelse af dette produkt og gem instruktionerne.

## For sikker anvendelse:

- 1. Hold arbejdsområdet rent.**  
Rodede områder om bænke inviterer til skader.
- 2. Overvej arbejdsområdets miljø.**  
Udsæt ikke maskiner for regn. Brug ikke maskinen på fugtige eller våde steder. Hold arbejdsområdet ordentligt oplyst. Brug ikke maskiner på steder hvor der er risiko for brand eller eksplosion.
- 3. Beskyt dig mod elektrisk stød.**  
Undgå kropskontakt med jordforbundne overflader (f.eks. rør, radiatorer, komfurer, køleskabe).
- 4. Hold børn væk.**  
Lad ikke besøgende røre ved maskinen eller dens forlængerledning.  
Alle besøgende bør holdes væk fra arbejdsområdet.
- 5. Gem ubenyttede maskiner af vejen.**  
Når de ikke benyttes, bør maskiner opbevares på et tørt, højt eller aflåst sted uden for børns rækkevidde.
- 6. Brug ikke kræfter på maskinen.**  
Den arbejder bedre og mere sikkert, hvis den arbejder med den tilsigtede hastighed.
- 7. Brug den rigtige maskine.**  
Tving ikke små maskiner eller ekstraudstyr til at udføre jobbet for en kraftig maskine. Brug ikke maskiner til formål som de ikke er beregnet til. Brug f.eks. ikke rundsage til savning af grene eller træstammer.
- 8. Bær korrekt påklædning.**  
Bær ikke løsthængende tøj eller smykker da de kan sidde sætte sig fast i de bevægelige dele. Gummihandsker og skridsikert fodtøj anbefales til udendørs arbejde. Anvend håret eller lignende så langt hår holdes på plads.
- 9. Bær sikkerhedsbriller og høreværn.**  
Brug også ansigts- eller støvmaske hvis savearbejdet støver.
- 10. Tilslut støvudsugningsudstyr.**  
Hvis der medfølger udstyr til udsugning og opsamling af støv, skal du sørge for, at udstyret er monteret, og at det anvendes korrekt.
- 11. Belast ikke ledningen.**  
Du skal aldrig bære maskinen i ledningen eller hive i den for at trække den ud fra stikkontakten. Hold ledningen væk fra varme, olie og skarpe kanter.
- 12. Fastgør arbejdsemnet.**  
Brug skruetvinger eller en skruestik til at fastgøre arbejdsemnet. Det er mere sikkert end at bruge hånden, og det frigør begge hænder til betjening af maskinen.
- 13. Stræk dig ikke for langt.**  
Bevar fodfæstet og balancen til enhver tid.
- 14. Vedligehold omhyggeligt maskiner.**  
Hold skæreværktøjer skarpe og rene for bedre og mere sikker ydelse. Følg instruktionerne for smøring og udskiftning af tilbehør. Efterse maskinens ledning med jævne mellemrum og få den repareret på et autoriseret serviceværksted hvis den er beskadiget. Efterse jævnligt forlængerledninger og udskift dem hvis de er beskadiget. Hold håndtagene tørre, rene og fri for olie og fedtstoffer.

- 15. Frakobl maskiner.**  
Når de ikke er i brug, inden vedligeholdelse og under udskiftning af savklinger, bits og skær.
- 16. Fjern justeringsnøgler og skruenøgler.**  
Gør det til en vane at kontrollere, at justeringsnøgler og skrunøgler er fjernet fra maskinen, inden den tændes.
- 17. Undgå utilsigtet start.**  
Bær ikke rundt på en tilsluttet maskine med en finger på afbryderkontakten. Sørg for at kontakten er slukket, når maskinen tilsluttes.
- 18. Brug forlængerledninger til udendørs brug.**  
Når maskinen bruges udendørs, må der kun anvendes forlængerledninger til udendørs brug.
- 19. Vær opmærksom.**  
Vær opmærksom på hvad du laver. Brug sund fornuft. Anvend ikke maskinen når du er træt.
- 20. Kontroller beskadigede dele.**  
Inden yderligere brug af maskinen bør en beskadiget afskærmning eller anden del omhyggeligt kontrolleres for at sikre, at den vil fungere ordentligt og kan udføre dens tilsigtede funktion. Kontroller for justering af bevægelige dele, at de bevægelige dele kører frit, beskadigelse af dele, montering eller andre forhold der kan påvirke funktionen. En beskadiget afskærmning eller anden del bør repareres på korrekt vis eller udskiftes af et autoriseret servicecenter, medmindre der er angivet andet i denne brugsanvisning. Få defekte kontakter udskiftet på et autoriseret serviceværksted. Brug ikke maskinen hvis der ikke kan tændes og slukkes på kontakten.
- 21. Advarsel.**  
Brug af andet tilbehør eller ekstraudstyr end det, som er anbefalet i brugsanvisningen eller kataloget, kan udgøre en risiko for personskade.
- 22. Få din maskine repareret af en fagmand.**  
Denne maskine er i overensstemmelse med de relevante sikkerhedskrav. Reparationer bør kun udføres af fagmænd ved brug af originale reservedele, eller kan det være til alvorlig fare for brugeren.

## YDERLIGERE SIKKERHEDSREGLER FOR MASKINEN

### GEM DISSE INSTRUKTIONER.

- 1. Brug beskyttelsesbriller.**
- 2. Brug ikke maskinen i nærheden af brandbare væsker eller gasser.**
- 3. Brug altid en ansigts- eller støvmaske.**
- 4. Efterse klingens omhyggeligt for revner eller beskadigelse før brugen. Udskift øjeblikkeligt revnede eller beskadigede klinger.**
- 5. Brug kun savklinger der er anbefalet af producenten, og som overholder EN847-1.**
- 6. Brug altid det tilbehør der anbefales i denne brugsanvisning. Brug af forkert tilbehør som f.eks. skæreskiver kan medføre tilskadekomst.**
- 7. Vælg den rigtige savklinge som passer til det materiale, der skal skæres.**
- 8. Brug ikke savklinger der er fremstillet af hurtigstål.**
- 9. For at reducere den afgivne støj bør du sikre dig, at klingens altid er skarp og ren.**
- 10. Skær ikke i metaller som f.eks. søm og skruer. Se efter, og fjern alle søm, skruer og andre fremmedlegemer fra arbejdsemnet før arbejdet.**
- 11. Fjern skruenøgler, afskårne dele osv. fra bordet inden der tændes på kontakten.**

12. **BRUG ALDRIG** handsker under arbejdet.
13. Hold hænder væk fra savklingens skærelinje.
14. **STÅ ALDRIG**, eller tillad at andre står, på savklingens skærelinje.
15. Lad maskinen køre et stykke tid, før den benyttes på et arbejdsemne. Hold øje med vibrationer eller slinger, der kan være tegn på en forkert montering eller en dårligt afbalanceret savklinge.
16. Udskift bordindsatsen når den er slidt.
17. Tilslut båndsavens til en støvopsamlende anordning, når du saver i træ.
18. Anvend ikke maskinen når den låge eller skærm, der beskytter savbåndet, er åben.
19. Vær opmærksom på at valget af savbånd og hastighed afhænger af det materiale, som skal skæres.
20. Rengør ikke savbåndet mens det er i bevægelse.

## INSTALLATION (Fig. 1 og 2)

### Fastgørelse af båndsavens stander

Hvis der under arbejdet er bare en lille tendens, til at båndsavens kan tippe over, glide eller flytte sig, skal båndsavens stander fastgøres til gulvet. (Fig. 3 - 7)

- Efter montering af standeren monteres håndtag og hjul. (Fig. 8)

### Sådan monteres støvboksen

Støvboksen monteres fra undersiden af bordsavens. Ved monteringen indsættes fladfjederen (til fastgørelse) på indersiden af kanten af maskinens positionshul, begge støvboksens skuldre placeres på skinnerne, og derefter skubbes støvboksen mod ydersiden.

Når først den forreste kant på den fastgørende fladfjeder sidder i maskinens fastgørelses hul, monteres støvboksen. (Fig. 9 og 10) Fastgør bordet til akseltappen med fire sekskantbolte. (Fig. 11) Der er ved afsendelsen fra fabrikken indsat en split, så den bedes du trække ud. (Fig. 12)

### Installation af styreskinne (Fig. 13)

- Fastgør styreskinnen til bordet med fire vingskruer og skiver.

## FUNKTIONSBESKRIVELSE

### Betjening af afbryderkontakt (Fig. 14)

#### ⚠ FORSIGTIG:

- Inden du starter, skal du kontrollere, at maskinen kan tændes og slukkes.

Afbryderdækslet kan nemt åbnes ved at skubbe det opad.

Tryk på TÆND-knappen (I) for at starte maskinen.

Tryk på SLUK-knappen (O) eller afbryderdækslet for at slukke for maskinen.

### Tænding af lamperne

Tryk på den øverste position (I) af afbryderkontakten for at tænde lampen og på den nederste position (O) for at slukke den.

Start maskinen ved at løfte afbryderhåndtaget op. (Fig. 15)

Stop maskinen ved at sænke afbryderhåndtaget.

### Skubbestok (Fig. 16)

Skubbestokken fungerer som en forlænger for hånden og beskytter mod utilsigtet kontakt med savklingen.

Skubbestokken skal altid anvendes, hvis afstanden mellem båndsavsklingen og et kløveanslag er mindre end 150 mm.

Før skubbestokken frem i en vinkel på 20° ... 30° i forhold til savbordets overflade. (Fig. 17)

Når skubbestokken ikke anvendes, kan den opbevares på skubbestokholderen, som er placeret på båndsavens ramme. Udskift skubbestokken hvis den er beskadiget.

### Geringsskala (Fig. 18)

Geringsskalaen indsættes i åbningen i bordet fra bordets forkant. Geringsskalaen kan drejes 60° i begge retninger ved geringssnit. Der er positive stop for geringssnit på 45° og 90°.

Sådan indstilles en geringsvinkel: løsn låsehåndtaget ved at dreje mod urets retning.

#### ⚠ ADVARSEL:

**Når der saves med geringsskalaen, skal låsehåndtaget være ordentligt strammet.**

Hjælpeanslaget skal tages af og vendes om efter løsning af knappen.

### Installation af kløveanslaget (Fig. 19)

Kløveanslaget kan anvendes på begge sider af klingens. Når kløveanslaget flyttes fra den ene side af savklingen til den anden side, skal anslaget vendes om.

### Omskiftning af anslaget (Fig. 20)

1. Løsn knap (B) på skruetvingen.
2. Fjern skruetvingen fra anslaget.
3. Løsn knap (A).
4. Løft anslaget af anslagsholderen.
5. Vend anslaget om og skub anslagsholderen tilbage.
6. Stram knap (A).
7. Skub skruetvingen ind på anslaget.

### Fastgørelse af kløveanslaget

1. Placer kløveanslaget på styreskinnen.
2. Stram låsearmen på kløveanslaget.
3. Løsn knap (B) på skruetvingen.
4. Skub skruetvingen ind mod bordets bagkant.
5. Stram knap (B).

Anslaget højde kan mindskes ved savning af tynde materialer. (Fig. 21 og 22)

1. Løsn knap (B) på skruetvingen.
2. Fjern skruetvingen fra anslaget.
3. Løsn knap (A).
4. Løft anslaget af anslagsholderen.
5. Skub knap (A) væk fra anslaget for at tage det af.
6. Rotér anslaget 90°.
7. Indsæt knap (A) i den anden rille i anslaget.
8. Sæt anslaget tilbage i anslagsholderen.
9. Stram knap (A).
10. Skub skruetvingen ind på anslaget.

Når anlages højde er mindsket, ændres punktet 0 (nul). Hvis kløveanslaget er placeret på venstre side af klingens, skubbes styreskinnen til venstre for at justere til 0-punktet.

## MONTERING

### Udskiftning af båndsavsklingen

#### ⚠ FORSIGTIG:

- Berøring af båndsavsklingen, selv når båndsavsklingen ikke kører, kan forårsage personskade.
- Savklingen er farlig. Sørg for at anvende handsker ved håndtering af savklingen i

situationer som udtagning fra indpakning, montering eller udskiftning af klingen.

1. Løsn de to vingeskruer til den højre styreskinne og skub skinnen i højre side mod højre. (Fig. 23)
2. Åbn det øverste dæksel og det nederste dæksel på maskinen. (Fig. 24)
3. Hold i håndtaget og træk støvdækslet opad for at tage det af. (Fig. 25)
4. Åbn den nederste klingebeskytter. (Fig. 26)
5. Indstil det øverste klingestyr til dets nederste position.
6. Løsn hurtigudløserhåndtaget indtil båndsavsklingen løsnes. (Fig. 27)
7. For at fjerne båndsavsklingen skal den føres igennem.
  - rillen i savklingen.
  - klingebeskytteren på de øverste klingestyr.
  - klingedækslet på savhuset.
8. Indsæt en ny båndsavsklinge. Vær opmærksom på den rigtige position: tænderne peger mod savens forside (lågeside).
9. Centrér båndsavsklingen på gummidækkene af båndsavshjulene.
10. Stram hurtigudløserhåndtaget indtil klingens ikke længere falder af båndsavshjulene.
11. Luk den nederste klingebeskytter.

#### **⚠ FORSIGTIG:**

Luk kun det nederste dæksel når den nederste klingebeskytter er i dens lukkede position.

12. Sæt den højre styreskinne tilbage på dens oprindelige position. (Fig. 28 og 29)
13. Sæt støvdækslet på.
14. Luk begge dæksler.
15. Derefter:
  - spænd båndsavsklingen (se afsnittet "Spænding af båndsavsklingen" under "FUNKTIONSBESKRIVELSE").
  - juster båndsavsklingen (se afsnittet "Justerings af båndsavsklingen" under "MONTERING").
  - juster klingestyrene (se afsnittet "Justerings af det øverste klingestyr" i "FUNKTIONSBESKRIVELSE").
  - lad saven prøvekøre i mindst et minut;
  - stop saven, tag stikket ud og kontroller indstillingerne igen.

### **Justerings af savehastighed (Fig. 30)**

1. Åbn det nederste dæksel.
2. Løsn drivremmen ved at dreje knappen i urets retning.
3. Placer drivremmen på den ønskede talje på drivhjulet (nederste båndsavshjul) og den modsvarende motortalje-bemærk mærkaten på indersiden af det nederste dæksel.

#### **⚠ FORSIGTIG:**

Drivremmen skal køre på enten begge front- eller bagtaljer. Køb aldrig V-remmen diagonalt.

### **Indstillingsknap til remspænding (Fig. 31)**

Remspændingen kan korrigeres med indstillingsknappen om nødvendigt:

- drejes indstillingsknappen i urets retning, reduceres spændingen af drivremmen.
- drejes indstillingsknappen mod urets retning, forøges spændingen af drivremmen.

Spænd drivremmen igen ved at dreje knappen mod urets retning (halvvejs mellem taljerne bør drivremmen bøje ca. 10 mm).

#### **(Fig. 32)**

Luk det nederste dæksel.

## **FUNKTIONSBESKRIVELSE**

### **Spænding af båndsavsklingen (Fig. 33)**

#### **⚠ FORSIGTIG:**

**Spændes den for meget, kan det medføre, at savklingen går i stykker. Spændes den for lidt, kan det medføre, at det drevne båndsavshjul glider, og båndsavsklingen stopper.**

1. Løft det øverste klingestyr helt op.  
Juster spændingen ved at dreje knappen mens du bruger skalaen som retningslinje og medtager savklingens bredde i overvejelserne. (Efter justering kontrolleres spændingen som vist under punkt 2.)
2. Kontroller klingespændingen:
  - kontroller spændingen ved at trykke ind på siden af klingens med en finger halvvejs mellem bordet og det øverste klingestyr (klingen bør ikke bøje mere end 1-2 mm).
  - kontroller justeringen på indikatoren for klingespænding. Skalaen angiver den korrekte justering i henhold til båndsavsklingens bredde.
3. Korrekt spænding om nødvendigt:
  - drejes indstillingsknappen i urets retning, forøges klingespændingen.
  - drejes indstillingsknappen mod urets retning, reduceres klingespændingen.

### **Indstilling af båndsavsklingen (Fig. 34)**

Hvis båndsavsklingen ikke kører i midten af gummidækkene, skal sporingen rettes ved at justere hældningen på det øverste båndsavshjul:

1. Løsn låseknep.
2. Drej manuelt det øverste hjul mens du passer på ikke at røre klingens.
3. Drej indstillingsknappen i urets retning hvis savklingen kører mod savens front.
  - Drej indstillingsknappen mod urets retning hvis savklingen kører mod savens bagside.
4. Luk altid låseknappen efter justering. (Fig. 35)

### **Hurtigudløserhåndtag (Fig. 36)**

Spændingen af savklingen kan løsnes med hurtigudløserhåndtaget.

I urets retning: Reducer spænding

Mod urets retning: Forøg spænding

### **Justerings af øverste klingestyr (Fig. 37)**

Højden på det øverste klingestyr skal justeres:

inden hver savning/ anvendelse for at tilpasse til højden på arbejdsemnet (det øverste klingestyr skal indstilles til ca. 3 mm over arbejdsemnet);

- efter justering af båndsavsklingen eller savbordet (f.eks. udskiftning af båndsavsklinge, spænding af båndsavsklingen, justering af savbord).

#### **⚠ FORSIGTIG:**

Inden justering af det øverste klingestyr og hældning af savbord:

- SLUK maskinen;
- vent indtil båndsavsklingen er standset fuldstændigt.

- Indstil det øverste klingestyr med justeringsknappen til den ønskede højde ved at løsne låseknappen. Sørg for at spænde låsemøtrikken efter justering.
- Sav aldrig flere arbejdsemner ad gangen — og sav heller ikke samlede arbejdsemner der indeholder flere enkelte stykker. Der

er risiko for personskade, hvis de enkelte stykker ukontrolleret fanges af savklingen.

1. Løsn bolt C og juster lejeholderen sådan at styrelejet er placeret 1 eller 2 mm fra bunden af klingens bagside. (Fig. 38 - 40)
2. Løsn bolt A og juster tryklejet til en position på 0,5 mm fra klingens bagside.
3. Løsn bolt B og juster styrelejet til en position på 0,5 mm fra klingens bagside.

### Ret det nederste klingestyr ind (Fig. 41)

Det nederste klingestyr består af:

- et trykleje (som understøtter båndsavsklingen bagfra).
- to styrelejer (som giver sideunderstøttelse).

Disse dele skal genjusteres hver gang båndsavsklingen udskiftes, eller der udføres sporjustering:

#### Bemærk:

Kontroller jævnligt tryklejer og styrelejer for slid og udskift om nødvendigt begge styrelejer samtidigt.

- Åbn den nederste dæksellåge og den nederste klingebeskytter.
- Løsn sekskantboltene, flyt hele det nederste klingestyr og juster styrelejet hen på en position 1 eller 2 mm fra bunden af klingens bagside.

### Justering af tryklejet

1. Løsn bolt A.
2. Juster tryklejets position (afstand mellem trykleje - båndsavsklinge = 0,5 mm — hvis båndsavsklingen drejes med hånden, må den ikke røre ved tryklejet).
3. Spænd bolt A.

### Justering af styrelejerne (Fig. 42)

1. Løsn bolt B.
2. Placer styrelejet op mod båndsavsklingen.
3. Drej båndsavshjulet med håndkraft adskillige gange i urets retning for at få styrelejerne i den rigtige position. Løsn bolt A og juster tryklejet til en position på 0,5 mm fra klingens bagside. Begge styrelejer bør kun LIGE AKKURAT RØRE ved båndsavsklingen.
4. Spænd bolt B igen.
5. Luk den nederste klingebeskytter.
6. Luk den nederste dæksellåge.

### Justering af savbordet i en ret vinkel til båndsavsklingen (Fig. 43 og 44)

1. Løft det øverste klingestyr helt op (se "Betjening").
2. Kontroller spændingen af båndsavsklingen (se "FUNKTIONSBESKRIVELSE").  
Drej håndtaget i urets retning for at hælde bordet mod urets retning og drej håndtaget mod urets retning for at hælde bordet i urets retning.
3. Løsn låsearmen.
4. Brug en snedkervinkel til at indstille bordet i ret vinkel i forhold til klingens bagside ved at dreje håndtaget for at justere bordet og stram låsearmen igen.
5. Juster stopskruen indtil den rører ved savhuset.

### Betjening (Fig. 45 og 46)

#### ⚠ Fare:

For så vidt muligt at reducere risikoen for personskader skal følgende sikkerhedsanbefalinger efterfølges ved betjening af saven.

#### ⚠ FORSIGTIG:

- Rør ikke ved savklingen under savning.

- Under savning skal du bære beskyttelsesbriller, men ikke anvende handsker.
- Sav altid kun et arbejdsemne ad gangen.
- Hold altid arbejdsemnet ned på bordet.
- Bloker ikke nogen arbejdsemner.
- Prøv ikke at nedsætte båndsavens hastighed eller stoppe den ved at skubbe arbejdsemnet ind mod savklingen fra siden.
- Anvend en skubbestok ved lige savning mod anslaget.
- Hvis det er nødvendigt for at udføre arbejdet, skal følgende anvendes:
  - skubbestok — hvis afstanden kløveanslag - båndsavsklinge  $\leq 150$  mm;
  - understøttelse af arbejdsemnet — til et langt stykke som ellers ville falde ned fra bordet efter savning;
  - støvopsamler;
  - ved savning af rundt materiale skal materialet fastgøres ordentligt som vist i diagrammet.
  - et passende styr til ordentlig understøttelse ved savning af tyndt materiale lagt på kanten.
  - handsker til håndtering af savbånd og grove materialer.
- Inden påbegyndelse af arbejdet skal det kontrolleres, at følgende er i korrekt driftstilstand:
  - båndsavsklinge;
  - øverste og nederste klingebeskytter.
- Udskift straks beskadigede dele.
- Indtag korrekt arbejdsstilling (tænderne på båndsavsklingen skal pege mod operatøren).

### Savning

#### ⚠ ADVARSEL:

Risiko for tilbageslag (arbejdsemnet sidder fast i båndsavsklingen og kastes mod operatøren.)

Anvend ikke kraft på arbejdsemner.

- Vælg kløveanslag og bordhældning i henhold til det skærearbejde der skal udføres.
- Indstil det øverste klingestyr 3 mm over arbejdsemnet.

#### Bemærk:

Foretag altid et prøvesnit i et stykke overskudstræ for at bekræfte indstillingerne og korriger om nødvendigt inden savning af arbejdsemnet.

- Placer arbejdsemnet på savklingen.
- Tilslut saven.
- Start saven.
- Skær arbejdsemnet ad en omgang.
- Sluk, hvis der ikke skal udføres flere savninger umiddelbart efter.
- Anvend et underbord som sælges særskilt.

### Hældning af savbord (Fig. 47)

#### ⚠ FORSIGTIG:

Ved skrånsnit med hældning af bordet placeres klingestyret på den nederste del af bordet.

Efter løsning af låsearmen hælder savbordet trinløst gennem 47° i forhold til klingens bagside.

Drej håndtaget i urets retning for at hælde bordet mod urets retning og drej håndtaget mod urets retning for at hælde bordet i urets retning.

### Tilslutning til støvsuger (Fig. 48 og 49)

Rengøringsfunktioner kan udføres ved at slutte maskinen til en Makita-støvsuger eller støvopsamler.

Hvis der tilsluttes en støvopsamler til den store opsamleråbning, omskiftes støvopsamleren, så den har en stor åbning.

## Sådan flyttes maskinen (Fig. 50)

- Løft håndtaget for at muliggøre flytning af maskinen.
- Under transport skal savbåndets afskærmning være helt nede og tæt på bordet.
- Anvend ikke afskærmningen til håndtering eller transport.

### ⚠ FORSIGTIG:

- Hvis håndtaget løftes for højt, kan maskinen muligvis vælte.

## VEDLIGEHOLDELSE

### ⚠ FORSIGTIG:

- Sørg altid for, at maskinen er slukket, og at stikket er taget ud, før du udfører inspektion eller vedligeholdelse.

### BEMÆRK:

- Brug aldrig benzin, benzen, fortynder, alkohol eller lignende. Det kan muligvis medføre misfarvning, deformation eller revner.

### Rengøring

Rengør ind i mellem for savsmuld og spåner. Vær omhyggelig med rengøringen af klingebeskytteren og bevægelige dele inde i båndsavens.

### Smøring

For at holde båndsavens kørende i tip-top-form og for at sikre maksimal levetid, skal de bevægelige og drejende dele engang i mellem smøres med olie eller fedt.

For at reducere den afgivne støj bør du sikre dig, at klingens altid er skarp og ren.

For at holde produktet SIKKERT og PÅLIDELIGT skal reparationer samt al anden vedligeholdelse eller justering udføres af autoriserede Makita-servicecentre, og der skal altid benyttes Makita-reservedele.

## TILBEHØR

### ⚠ FORSIGTIG:

- Dette tilbehør eller ekstraudstyr anbefales til brug med det Makita-værktøj, som er beskrevet i denne brugsanvisning. Brug af andet tilbehør eller ekstraudstyr kan forårsage personskade. Brug kun tilbehør eller ekstraudstyr til det formål, det er beregnet til. Henvend dig til din lokale Makita-servicecenter, hvis du har brug for hjælp eller yderligere oplysninger vedrørende tilbehøret.

- Stander til båndsav
- Unbrakonøgle
- Kløveanslag
- Geringsskala
- Cirkulært skæreudstyr
- Forlængerbord
- Båndslibningsudstyr

### Kun for lande i Europa

#### Støj

De typiske A-vægtede støjniveauer er

lydtryksniveau: 81 dB (A)

lydeffektniveau: 94 dB (A)

Usikkerhed (K): 3 dB (A)

#### Bær høreværn.

Disse værdier er opnået i henhold til EN61029.

## EF-overensstemmelseserklæring

Vi, **Makita Corporation**, erklærer som ansvarlig producent at følgende **Makita-maskine(r)**:

Maskinens betegnelse: Båndsav

Modelnummer/ type: LB1200F

er en produktionsserie og

**Overholder følgende europæiske direktiver:**

2006/42/EF

Og er produceret i overensstemmelse med følgende standarder eller standardiserede dokumenter:

EN61029

Certifikatnummer M6A 10 05 26932 017 for EF-typeafprøvning

EF-typeafprøvningen blev udført af:

TÜV SÜD Product Service GmbH, Zertifizierstelle,

Ridlerstraße 65, 80339 München, Germany

Identifikationsnr. 0123

Den tekniske dokumentation findes hos vores autoriserede repræsentant i Europa:

Makita International Europe Ltd.,

Michigan, Drive, Tongwell,

Milton Keynes, Bucks MK15 8JD, England

25. 05. 2010



Tomoyasu Kato

Direktør

Makita Corporation

3-11-8, Sumiyoshi-cho,

Anjo, Aichi, JAPAN



# ΕΛΛΗΝΙΚΑ (Πρωτογενείς οδηγίες)

## Γενική περιγραφή

1. Τροχός
2. Πάνω κάλυμμα
3. Διακόπτης φωτός
4. Διακόπτης
5. Οδηγός κομματιού
6. Κάτω κάλυμμα
7. Λαβή Μεταφοράς
8. Κουτί σκόνης
9. Κουμπί (Για τέντωμα της κορδέλας)
10. Κουμπί (Για στερέωση της πόρτας του πάνω προστατευτικού χώρου)
11. Κουμπί (Για τη ρύθμιση του οδηγού της κορδέλας)
12. Κουμπί (Για τη στερέωση του οδηγού της κορδέλας)
13. Πάνω οδηγός της κορδέλας
14. Κορδέλα
15. Κουμπί (Για στερέωση της πόρτας του κάτω προστατευτικού χώρου)
16. Κουμπί (Για τέντωμα του τραπεζοειδούς ιμάντα)
17. Ιμάντας κίνησης
18. Βάση
19. Ελαστικό
20. Μοχλός ασφάλισης (Για αποτροπή της κλίσης της πλάκας)
21. Θύρα εξαγωγής σκόνης
22. Μοχλός (Γρήγορης απελευθέρωσης)
23. Κουμπί (Για τη ρύθμιση της διαδρομής του εργαλείου κοπής)
24. Λαβή (Για ρύθμιση της κλίσης της πλάκας)
25. Πλαίσιο
26. Χερούλι
27. Ροδέλα
28. Μπουλόνι εξάγ. κοίλης κεφαλής
29. Έλασμα ελατηρίου
30. Τρύπα στερέωσης
31. Τρύπα τοποθέτησης
32. Πλάκα
33. Εξαγωνικά μπουλόνια
34. Στροφέας
35. Πείρος
36. Βίδα σχήματος πεταλούδας
37. Οδηγητική ράγα
38. Κάλυμμα διακόπτη
39. Διακόπτης απενεργοποίησης
40. Διακόπτης ενεργοποίησης
41. ΕΝΕΡΓΟ
42. Ράβδος ώθησης
43. Μετρητής απόκλισης
44. Χερούλι ασφάλισης
45. Κουμπί
46. Κουμπί (A)
47. Οδηγός
48. Μοχλός ασφάλισης
49. Στήριγμα οδηγού
50. Κουμπί (B)
51. Συγκρατητήρας
52. Βίδες σχήματος πεταλούδας
53. Κάλυμμα σκόνης
54. Πριονοκορδέλα
55. Χώρος στέγασης κορδέλας
56. Κάτω προφυλακτήρας κορδέλας
57. Μοχλός γρήγορης απελευθέρωσης
58. Κάτω τροχός πριονοκορδέλας
59. Τροχαλία κινητήρα
60. Ιμάντας κίνησης
61. Τροχαλία του κινητήριου τροχού
62. Περίπου 10 mm
63. Κουμπί ασφάλισης
64. Ρυθμιστικό κουμπί
65. Οδηγό έδρανο
66. Μπουλόνι A
67. Απόσταση οδηγού εδράνου από τη βάση της κορδέλας
68. Μπουλόνι C
69. Μπουλόνι B
70. Στήριγμα εδράνου
71. Έδρανο ώσης
72. Βίδα
73. Παξιμάδι
74. Συλλογέας μεγάλου ανοίγματος
75. Συλλογέας μικρού ανοίγματος
76. Μικρός συλλέκτης σκόνης (Συνδεδεμένος στην κύρια μονάδα)
77. Μεγάλος συλλέκτης σκόνης (Για εναλλαγή)
78. Ράγα
79. Προεξοχή
80. Εξαγωνικό μπουλόνι

## ΠΡΟΔΙΑΓΡΑΦΕΣ

Μοντέλο	LB1200F	
Μέγεθος τροχού	305 mm	
Μέγιστη ικανότητα κοπής	165 mm	
Ταχύτητα χωρίς φορτίο	Υψηλή	840 min <sup>-1</sup> (50 Hz)/1.040 min <sup>-1</sup> (60 Hz)
	Χαμηλή	420 min <sup>-1</sup> (50 Hz)/520 min <sup>-1</sup> (60 Hz)
Ταχύτητα κοπής	Υψηλή	13,3 m/s (800 m/min) (50 Hz)/16,7 m/s (1.000 m/min) (60 Hz)
	Χαμηλή	6,7 m/s (400 m/min) (50 Hz)/8,3 m/s (500 m/min) (60 Hz)
Μέγεθος πριονοκορδέλας	Περίμετρος 2.240 mm x Πλάτος 6 mm, 13 mm, 16 mm	
Συνολικές διαστάσεις	615 mm x 775 mm x 1.600 mm	
Μέγεθος πλάκας	560 mm x 400 mm	
Καθαρό βάρος	81,2 kg	

- Λόγω του συνεχόμενου προγράμματος που εφαρμόζουμε για έρευνα και ανάπτυξη, τα τεχνικά χαρακτηριστικά στο παρόν έντυπο υπόκεινται σε αλλαγή χωρίς προειδοποίηση.
- Τα τεχνικά χαρακτηριστικά ενδέχεται να διαφέρουν ανάλογα με τη χώρα.
- Βάρος σύμφωνα με τη διαδικασία EPTA 01/2003

### Σύμβολα

END215-2

Παρακάτω παρουσιάζονται τα σύμβολα που χρησιμοποιούνται για το εργαλείο. Βεβαιωθείτε ότι κατανοείτε τη σημασία τους πριν από τη χρήση.



..... Διαβάστε το εγχειρίδιο οδηγιών.



..... Αφαιρέστε το κύριο βύσμα.



..... Να φοράτε γυαλιά προστασίας.



..... Μην πλησιάζετε τα χέρια ή τα δάκτυλά σας κοντά στη κορδέλα.



..... Μόνο για τις χώρες της ΕΕ  
Μην απορρίπτετε ηλεκτρικές συσκευές στον κάδο οικιακών απορριμμάτων!  
Σύμφωνα με την ευρωπαϊκή οδηγία 2002/96/ΕΚ περί ηλεκτρικών και ηλεκτρονικών συσκευών και την ενσωμάτωση της στο εθνικό δίκαιο, οι ηλεκτρικές συσκευές πρέπει να συλλέγονται ξεχωριστά και να

επιστρέφονται για ανακύκλωση με τρόπο φιλικό προς το περιβάλλον.

### Προβλεπόμενη χρήση

Το εργαλείο προορίζεται για την κοπή ξύλου.

### Παροχή ρεύματος

Το εργαλείο πρέπει να συνδέεται μόνο σε ηλεκτρική παροχή της ίδιας τάσης με αυτήν που αναγράφεται στην πινακίδα ονομαστικών τιμών και μπορεί να λειτουργήσει μόνο με εναλλασσόμενο μονοφασικό ρεύμα. Τα εργαλεία αυτά διαθέτουν διπλή μόνωση που συμμορφώνεται με τα ευρωπαϊκά πρότυπα και συνεπώς μπορούν να συνδεθούν με πρίζες χωρίς γείωση.

## ΣΗΜΑΝΤΙΚΕΣ ΟΔΗΓΙΕΣ ΑΣΦΑΛΕΙΑΣ

ENA001-2

**⚠ ΠΡΟΕΙΔΟΠΟΙΗΣΗ:** Όταν χρησιμοποιείτε ηλεκτρικά εργαλεία, πάντοτε πρέπει να ακολουθείτε όλες τις βασικές προφυλάξεις για την ασφάλεια, περιλαμβανομένων αυτών που περιγράφονται στη συνέχεια, για να μειώσετε τον κίνδυνο πυρκαγιάς, ηλεκτροπληξίας ή προσωπικού τραυματισμού. Διαβάστε όλες αυτές τις οδηγίες πριν θέσετε αυτό το προϊόν σε λειτουργία και φυλάξτε αυτές τις οδηγίες.

### Για ασφαλείς λειτουργίες:

- 1. Να διατηρείτε το χώρο εργασίας καθαρό.**  
Σε ακατάστατους χώρους και πάγκους προκαλούνται τραυματισμοί.
- 2. Να σκέπτεστε το περιβάλλον του χώρου εργασίας.**  
Να μην εκθέτετε τα ηλεκτρικά εργαλεία στη βροχή. Να μη χρησιμοποιείτε τα ηλεκτρικά εργαλεία σε υγραμένο ή υγρό χώρο. Να διατηρείτε το χώρο εργασίας καλά φωτισμένο. Να μη χρησιμοποιείτε ηλεκτρικά εργαλεία σε μέρη όπου υπάρχει κίνδυνος πρόκλησης πυρκαγιάς ή έκρηξης.
- 3. Να προστατεύετε από την πρόκληση ηλεκτροπληξίας.**  
Αποφεύγετε την επαφή του σώματος με γειωμένες επιφάνειες, (π.χ. σωλήνες, καλοριφέρ, φούρνους και ψυγεία).
- 4. Να απομακρύνετε τα παιδιά.**  
Να μην αφήνετε τους επισκέπτες να αγγίζουν το εργαλείο ή το καλώδιο προέκτασης.  
Όλοι οι επισκέπτες θα πρέπει να μένουν μακριά από το χώρο εργασίας.
- 5. Να αποθηκεύετε τα εργαλεία που δεν χρησιμοποιείτε.**  
Όταν δεν χρησιμοποιείτε τα εργαλεία, θα πρέπει να τα αποθηκεύετε σε στεγνό και υψηλό μέρος ή να τα κλειδώνετε, μακριά από την πρόσβαση των παιδιών.
- 6. Μην ασκείτε δύναμη στο εργαλείο.**  
Το εργαλείο θα πραγματοποιήσει την εργασία καλύτερα και ασφαλέστερα στο ρυθμό για τον οποίο προορίζεται.
- 7. Να χρησιμοποιείτε το σωστό εργαλείο.**  
Να μην εξαναγκάσετε τα μικρά εργαλεία ή τα προσαρτήματα να πραγματοποιήσουν την εργασία ενός εργαλείου βαριάς χρήσης. Να μη χρησιμοποιείτε εργαλεία για σκοπούς για τους οποίους δεν προορίζονται. Για παράδειγμα, να μη χρησιμοποιείτε δισκοπρίονα για να κόψετε κλαδιά ή κορμούς δέντρων.
- 8. Να ντύνεστε κατάλληλα.**  
Μη φοράτε φαρδιά ρούχα ή κοσμήματα επειδή μπορεί να εμπλακούν στα κινούμενα μέρη. Συνιστώνται λαστιχένια γάντια και αντιολισθητικά παπούτσια όταν εργάζεστε σε εξωτερικό χώρο. Να φοράτε προστατευτικό κάλυμμα μαλλιών που να κρατάει μαζεμένα τα μακριά μαλλιά.
- 9. Να χρησιμοποιείτε προστατευτικά γυαλιά και ωτοασπίδες.**

Να χρησιμοποιείτε επίσης προσωπίδα ή μάσκα κατά της σκόνης όταν η εργασία κοπής παράγει σκόνη.

- 10. Να συνδέετε εξοπλισμό εξαγωγής σκόνης.**  
Αν παρέχονται συσκευές για τη σύνδεση διατάξεων εξαγωγής και συλλογής σκόνης, βεβαιωθείτε ότι αυτές είναι συνδεδεμένες και χρησιμοποιούνται σωστά.
- 11. Μην κακομεταχειρίζεστε το ηλεκτρικό καλώδιο.**  
Μην κρατάτε ποτέ το εργαλείο από το ηλεκτρικό καλώδιο και μην τραβάτε ποτέ το καλώδιο για να το αποσυνδέσετε από την πρίζα. Να διατηρείτε το ηλεκτρικό καλώδιο μακριά από τη θερμότητα, τα λάδια και αιχμηρά αντικείμενα.
- 12. Να στερεώνετε το τεμάχιο εργασίας.**  
Να χρησιμοποιείτε σφιγκτήρες ή μέγγενη για να συγκρατείτε το τεμάχιο εργασίας. Είναι πολύ ασφαλέστερο από το να χρησιμοποιείτε το χέρι σας, ενώ θα είναι και τα δύο σας χέρια ελεύθερα για να χειρίζεστε το εργαλείο.
- 13. Μην τεντώνετε υπερβολικά.**  
Να στέκεστε πάντοτε σταθερά και ισορροπημένα.
- 14. Να φροντίζετε τα εργαλεία.**  
Να διατηρείτε τα εργαλεία αιχμηρά και καθαρά για την καλύτερη και ασφαλέστερη απόδοση. Να ακολουθείτε τις οδηγίες για τη λίπανση και την αλλαγή των αξεσουάρ. Να ελέγχετε το ηλεκτρικό καλώδιο του εργαλείου τακτικά και, εάν έχει ζημιά, στείλετέ το για επισκευή σε ένα εξουσιοδοτημένο κέντρο σέρβις. Να επιθεωρείτε τα καλώδια προέκτασης τακτικά και να τα αντικαθιστάτε, εάν έχουν ζημιά. Να διατηρείτε τα χερούλια στεγνά, καθαρά, χωρίς λάδι και γράσο.
- 15. Να αποσυνδέετε τα εργαλεία.**  
Όταν δεν τα χρησιμοποιείτε, πριν από το σέρβις και όταν αλλάζετε αξεσουάρ, όπως λάμες, μύτες και κόπτες.
- 16. Να αφαιρείτε τα κλειδιά και τα γαλλικά κλειδιά.**  
Καλό είναι να συνηθίζετε να ελέγχετε εάν αφαιρέσατε τα γαλλικά κλειδιά και τα κλειδιά από το εργαλείο πριν από την ενεργοποίησή του.
- 17. Να αποφεύγετε την αθέλητη ενεργοποίηση του εργαλείου.**  
Μη μεταφέρετε ένα συνδεδεμένο εργαλείο με το δάκτυλό σας στη σκανδάλη. Βεβαιωθείτε ότι ο διακόπτης είναι κλειστός όταν συνδέετε το εργαλείο σε πρίζα.
- 18. Να χρησιμοποιείτε καλώδια προέκτασης κατάλληλα για εξωτερικούς χώρους.**  
Όταν χρησιμοποιείτε το εργαλείο σε εξωτερικό χώρο, να χρησιμοποιείτε μόνο καλώδια προέκτασης που προορίζονται για χρήση σε εξωτερικό χώρο.
- 19. Να είσαστε σε ετοιμότητα.**  
Να προσέχετε τι κάνετε. Να χρησιμοποιείτε κοινή λογική. Μη χειρίζεστε το εργαλείο όταν είστε κουρασμένοι.
- 20. Να ελέγχετε τα μέρη που έχουν υποστεί ζημιά.**  
Πριν από την περαιτέρω χρήση του εργαλείου, θα πρέπει να ελέγχετε προσεκτικά τυχόν προστατευτικά εξαρτήματα ή άλλα εξάρτημα που έχουν υποστεί ζημιά για να καθορίσετε εάν θα λειτουργήσουν σωστά και εάν θα πραγματοποιήσουν την προοριζόμενη λειτουργία τους. Ελέγξτε την ευθυγράμμιση των κινούμενων μερών, την ελεύθερη κίνηση των κινούμενων μερών, το τυχόν σπάσιμο εξαρτημάτων, τη στερέωση και οποιαδήποτε άλλη συνθήκη που ενδεχομένως να επηρεάσει τη λειτουργία του εργαλείου. Ένα προστατευτικό ή άλλο εξάρτημα με ζημιά θα πρέπει να επισκευαστεί ή να αντικατασταθεί σε εξουσιοδοτημένο κέντρο σέρβις εκτός εάν δηλώνεται διαφορετικά στο παρόν εγχειρίδιο οδηγιών. Στείλετε το εργαλείο σε εξουσιοδοτημένο κέντρο σέρβις για να επισκευάσει τους ελαττωματικούς διακόπτες. Μη χρησιμοποιείτε το εργαλείο εάν ο διακόπτης δεν το ενεργοποιεί και δεν το απενεργοποιεί.

21. **Προειδοποίηση.**  
Η χρήση αξεσουάρ ή προσαρτημάτων διαφορετικών από αυτών που συνιστώνται στο παρόν εγχειρίδιο οδηγιών ή στον κατάλογο, ενδεχομένως να αποτελέσει κίνδυνο πρόκλησης προσωπικού τραυματισμού.
22. **Να στέλνετε το εργαλείο για επισκευή σε ένα έμπειρο επαγγελματία.**  
Αυτό το ηλεκτρικό εργαλείο βρίσκεται σε συμφωνία με τις σχετικές απαιτήσεις ασφάλειας. Οι επισκευές θα πρέπει να πραγματοποιούνται μόνο από εξουσιοδοτημένα άτομα που χρησιμοποιούν γνήσια ανταλλακτικά, διαφορετικά μπορεί να αποτελέσει σημαντικό κίνδυνο για το χρήστη.

## ΠΡΟΣΘΕΤΟΙ ΚΑΝΟΝΕΣ ΑΣΦΑΛΕΙΑΣ ΓΙΑ ΤΟ ΕΡΓΑΛΕΙΟ

### ΦΥΛΑΞΤΕ ΑΥΤΕΣ ΤΙΣ ΟΔΗΓΙΕΣ.

1. Να φοράτε προστατευτικά ματιών.
2. Μη χρησιμοποιείτε το εργαλείο παρουσία εύφλεκτων υγρών ή αερίων.
3. Να χρησιμοποιείτε πάντοτε μια μάσκα προσώπου ή σκόνης.
4. Πριν από τη λειτουργία, να ελέγχετε προσεκτικά την κορδέλα για ραγίσματα ή ζημιά. Να αντικαθιστάτε αμέσως μια ραγισμένη ή κατεστραμμένη κορδέλα.
5. Να χρησιμοποιείτε μόνο κορδέλες που συνιστώνται από τον κατασκευαστή και οι οποίες είναι εναρμονισμένες με το EN847-1.
6. Χρησιμοποιείτε πάντοτε εξαρτήματα που συνιστώνται στο παρόν εγχειρίδιο. Αν χρησιμοποιείτε ακατάλληλα εξαρτήματα, όπως λειαντικό τροχό κοπής, μπορεί να προκληθεί τραυματισμός.
7. Επιλέξτε τη σωστή πριονοκορδέλα ανάλογα με το υλικό που πρόκειται να κοπεί.
8. Μη χρησιμοποιείτε πριονοκορδέλες που είναι κατασκευασμένες από ταχυχάλυβα.
9. Για να μειώσετε το θόρυβο, να βεβαιώνετε πάντοτε ότι η κορδέλα είναι αιχμηρή και καθαρή.
10. Μην κόβετε μέταλλα όπως καρφιά και βίδες. Πριν από τη λειτουργία, ελέγξτε αν υπάρχουν και αφαιρέστε όλα τα καρφιά, τις βίδες και τις άλλες ξένες ύλες από το τεμάχιο εργασίας.
11. Αφαιρέστε όλα τα κλειδιά, τα αποκόμματα, κτλ. από την πλάκα πριν ανοίξετε το διακόπτη.
12. ΠΟΤΕ να μην φοράτε γάντια κατά τη λειτουργία.
13. Κρατήστε τα χέρια σας μακριά από την ευθεία της πριονοκορδέλας.
14. ΠΟΤΕ να μην στέκεστε ή να επιτρέψετε σε οποιονδήποτε να στέκεται στην ευθεία της τροχιάς της πριονοκορδέλας.
15. Πριν χρησιμοποιήσετε το εργαλείο σε ένα πραγματικό τεμάχιο εργασίας, αφήστε το να λειτουργήσει για λίγη ώρα. Προσέχετε τις δονήσεις ή τις κινήσεις που θα μπορούσαν να υποδείξουν κακή τοποθέτηση ή κακή ισορρόπηση της κορδέλας.
16. Αντικαταστήστε το πρόσθετο της πλάκας όταν φθαρεί.
17. Συνδέστε την πριονοκορδέλα σε μια συσκευή συλλογής σκόνης όταν πριονίζετε ξύλο.
18. Μην χειρίζεστε το μηχάνημα όταν είναι ανοιχτή η θύρα ή ο προφυλακτήρας που προστατεύει την πριονοκορδέλα.
19. Έχετε υπόψη ότι η επιλογή της πριονοκορδέλας και η ταχύτητα εξαρτάται από το υλικό που πρόκειται να κοπεί.
20. Μην καθαρίζετε την πριονοκορδέλα όταν αυτή κινείται.

## ΕΓΚΑΤΑΣΤΑΣΗ (Εικ. 1 και 2)

### Στερέωση της βάσης της πριονοκορδέλας

Εάν κατά τη λειτουργία υπάρχει η οποιαδήποτε τάση για την πριονοκορδέλα να πέσει κάτω, να γλιστρήσει ή να μετακινηθεί, τότε η βάση της πριονοκορδέλας θα πρέπει να στερεωθεί στο δάπεδο. (Εικ. 3 - 7)

- Μετά την σύνδεση της βάσης, συνδέστε τα χερούλια και τα ελαστικά. (Εικ. 8)

### Πως να τοποθετήσετε το κουτί σκόνης

Το κουτί σκόνης τοποθετείται στο κάτω μέρος του επιτραπέζιου πριονιού. Κατά την τοποθέτηση, εισάγετε το έλασμα ελατηρίου (για τη στερέωση) στο εσωτερικό άκρο της τρύπας τοποθέτησης του μηχανήματος, τοποθετήστε και τις δυο προεξοχές του κουτιού σκόνης πάνω στις ράγες και στη συνέχεια, γλιστρήστε το προς το εξωτερικό.

Το κουτί της σκόνης έχει τοποθετηθεί όταν το μπροστινό άκρο του σταθεροποιητικού ελάσματος ελατηρίου ταιριάζει μέσα στην τρύπα στερέωσης του μηχανήματος. (Εικ. 9 και 10)

Στερεώστε την πλάκα πάνω στον στροφέα χρησιμοποιώντας τα τέσσερα εξαγωνικά μπουλόνια. (Εικ. 11)

Ο πείρος έχει εισαχθεί κατά τη στιγμή της αποστολής, για αυτό παρακαλούμε τραβήξτε τον έξω. (Εικ. 12)

### Τοποθέτηση της οδηγητικής ράγας (Εικ. 13)

- Στερεώστε την οδηγητική ράγα με τις τέσσερις βίδες σχήματος πεταλούδας και τις ροδέλες πάνω στην πλάκα.

## ΠΕΡΙΓΡΑΦΗ ΛΕΙΤΟΥΡΓΙΑΣ

### Δράση διακόπτη (Εικ. 14)

#### ⚠ ΠΡΟΣΟΧΗ:

- Πριν από τη λειτουργία, βεβαιωθείτε ότι το εργαλείο έχει ενεργοποιηθεί και απενεργοποιηθεί.

Το κάλυμμα του διακόπτη μπορεί να ανοίξει εύκολα ολισθαίνοντάς το προς τα πάνω.

Για να ξεκινήσετε το εργαλείο πιέστε το κουμπί ON (I).

Για να το σταματήσετε, πιέστε το κουμπί OFF (O) ή το κάλυμμα του διακόπτη.

### Άναμμα των λαμπών

Πιέστε το πάνω τμήμα του διακόπτη (I) για να ανάψει το φως και το κάτω τμήμα για να κλείσει (O).

Για να ξεκινήσετε το εργαλείο, ανυψώστε το μοχλό-διακόπτη.

#### (Εικ. 15)

Για να το σταματήσετε, χαμηλώστε το μοχλό-διακόπτη.

### Ράβδος ώθησης (Εικ. 16)

Η ράβδος ώθησης χρησιμεύει ως προέκταση του χεριού και προστατεύει έναντι της τυχαίας επαφής με την πριονοκορδέλα.

Η ράβδος ώθησης θα πρέπει να χρησιμοποιείται πάντοτε όταν η απόσταση μεταξύ της πριονοκορδέλας και του οδηγού του κομματιού είναι μικρότερη από 150 mm.

Καθοδηγήστε τη ράβδο ώθησης κατά μια γωνία 20° ... 30° έναντι στην επιφάνεια της πλάκας. (Εικ. 17)

Όταν η ράβδος ώθησης δεν χρησιμοποιείται τότε μπορεί να φυλαχτεί στο υπάρχον στήριγμά της που βρίσκεται στο σκελετό της πριονοκορδέλας.

Αντικαταστήστε τη ράβδο ώθησης εάν έχει υποστεί ζημιά.

## Μετρητής απόκλισης (Εικ. 18)

Ο μετρητής απόκλισης μπαίνει μέσα στη σχισμή της πλάκας από το μπροστινό άκρο της πλάκας.

Για λοξοτομές το μετρητή απόκλισης στρέφεται κατά 60° προς δυο κατευθύνσεις.

Παρέχονται σταθερά όρια για τις λοξοτομές των 45° και 90°.

Για να ρυθμίσετε την γωνία της λοξοτομής: ξεσφίξτε το χερούλι ασφάλισης τρέφοντάς το προς τα αριστερά.

### ⚠ ΠΡΟΕΙΔΟΠΟΙΗΣΗ:

**Κατά την κοπή με τον μετρητή απόκλισης το χερούλι ασφάλισης πρέπει να είναι σφιγμένο.**

Η βοηθητική επένδυση μπορεί να αφαιρεθεί και να αναστραφεί μετά το ξέσφιγμα του κουμπιού.

## Τοποθέτηση του Οδηγού Τεμαχίου (Εικ. 19)

Ο οδηγός τεμαχίου μπορεί να χρησιμοποιηθεί και στις δυο πλευρές της κορδέλας. Όταν ο οδηγός τεμαχίου μετακινείται από την μια πλευρά της πριονοκορδέλας στην άλλη ο οδηγός πρέπει να αναστραφεί.

## Αναστροφή του οδηγού (Εικ. 20)

1. Ξεσφίξτε το κουμπί (B) του συγκρατητήρα.
2. Αφαιρέστε τον συγκρατητήρα από τον οδηγό.
3. Ξεσφίξτε το κουμπί (A).
4. Ανασηκώστε τον οδηγό από το στήριγμα του οδηγού.
5. Αντιστρέψτε τον οδηγό και ολισθήστε τον πίσω πάνω στο στήριγμα του οδηγού.
6. Σφίξτε το κουμπί (A).
7. Ολισθήστε τον συγκρατητήρα πάνω τον οδηγό.

## Στερέωση του οδηγού τεμαχίου

1. Τοποθετήστε τον οδηγό κομματιού πάνω στην οδηγητική ράγα.
2. Σφίξτε τον μοχλό ασφάλισης του οδηγού τεμαχίου.
3. Ξεσφίξτε το κουμπί (B) του συγκρατητήρα.
4. Ολισθήστε το συγκρατητήρα έναντι του πίσω άκρου της πλάκας.
5. Σφίξτε το κουμπί (B).

Το ύψος του οδηγού μπορεί να χαμηλώσει στην περίπτωση που κόβετε λεπτά υλικά. (Εικ. 21 και 22)

1. Ξεσφίξτε το κουμπί (B) του συγκρατητήρα.
2. Αφαιρέστε τον συγκρατητήρα από τον οδηγό.
3. Ξεσφίξτε το κουμπί (A).
4. Ανασηκώστε τον οδηγό από το στήριγμα του οδηγού.
5. Για την αφαίρεση ολισθήστε το κουμπί (A) μακριά από τον οδηγό.
6. Περιστρέψτε τον οδηγό κατά 90°.
7. Εισάγετε το κουμπί (A) μέσα στην αυλάκωση του οδηγού.
8. Επαναφέρετε τον οδηγό στο στήριγμα του οδηγού.
9. Σφίξτε το κουμπί (A).
10. Ολισθήστε τον συγκρατητήρα πάνω τον οδηγό.

Όταν χαμηλώσει το ύψος του οδηγού, αλλάζει το σημείο 0 (μηδέν).

Εάν ο οδηγός τεμαχίου βρίσκεται στην αριστερή πλευρά της κορδέλας, ολισθήστε την οδηγητική ράγα προς τα αριστερά για τη ρύθμιση στο σημείο 0.

## ΣΥΝΑΡΜΟΛΟΓΗΣΗ

### Αλλαγή της πριονοκορδέλας

#### ⚠ ΠΡΟΣΟΧΗ:

- Το άγγιγμα της πριονοκορδέλας ακόμη και όταν αυτή βρίσκεται ακίνητη μπορεί να προκαλέσει προσωπικό τραυματισμό.
  - Η πριονοκορδέλα είναι επικίνδυνη. Φροντίστε να φοράτε γάντια όταν χειρίζεστε την πριονοκορδέλα κατά τις περιπτώσεις όπως της αφαίρεσης από την συσκευασία, της στερέωσης ή της αντικατάστασης της κορδέλας.
1. Ξεσφίξτε τις δύο βίδες σχήματος πεταλούδας της δεξιάς οδηγητικής ράγας και ολισθήστε τη δεξιά οδηγητική ράγα προς τα δεξιά. (Εικ. 23)
  2. Ανοίξτε το πάνω και το κάτω κάλυμμα του εργαλείου. (Εικ. 24)
  3. Κρατήστε το χερούλι και τραβήξτε το κάλυμμα σκόνης προς τα πάνω για να το αφαιρέσετε. (Εικ. 25)
  4. Ανοίξτε τον κάτω προφυλακτήρα της κορδέλας. (Εικ. 26)
  5. Ρυθμίστε τον πάνω οδηγό της κορδέλας στην χαμηλότερη θέση του.
  6. Ξεσφίξτε τον μοχλό γρήγορης απελευθέρωσης έως ότου να λασκάρει η πριονοκορδέλα. (Εικ. 27)
  7. Για να αφαιρέσετε την πριονοκορδέλα οδηγήστε την μέσα από
    - την σχισμή του μηχανήματος της πριονοκορδέλας.
    - τον προφυλακτήρα της κορδέλας στους πάνω οδηγούς της κορδέλας.
    - το κάλυμμα της κορδέλας στον προστατευτικό χώρο της κορδέλας.
  8. Τοποθετήστε μια καινούργια πριονοκορδέλα. Τηρήστε την σωστή θέση: τα δόντια να δείχνουν προς την μπροστινή (πόρτα) πλευρά του πριονιού.
  9. Κεντράρετε την πριονοκορδέλα πάνω στις ελαστικές ρόδες των τροχών της πριονοκορδέλας.
  10. Σφίξτε τον μοχλό γρήγορης απελευθέρωσης έως ότου η κορδέλα να μην μπορεί να γλιστρήσει από τους τροχούς της πριονοκορδέλας.
  11. Κλείστε τον κάτω προφυλακτήρα της κορδέλας.

#### ⚠ ΠΡΟΣΟΧΗ:

Κλείστε το κάτω κάλυμμα μόνο όταν ο κάτω προφυλακτήρας της κορδέλας βρίσκεται στην κλειστή θέση.

12. Επιστρέψτε τη δεξιά οδηγητική ράγα στην αρχική της θέση. (Εικ. 28 και 29)
13. Τοποθετήστε το κάλυμμα σκόνης.
14. Κλείστε και τα δυο καλύμματα.
15. Στη συνέχεια:
  - Τεντώστε την πριονοκορδέλα (Ανατρέξτε στην ενότητα με τίτλο “Τέντωμα της πριονοκορδέλας” στο “ΠΕΡΙΓΡΑΦΗ ΛΕΙΤΟΥΡΓΙΑΣ”).
  - ευθυγραμμίστε την πριονοκορδέλα (Ανατρέξτε στην ενότητα με τίτλο “Ευθυγράμμιση της πριονοκορδέλας” στο “ΣΥΝΑΡΜΟΛΟΓΗΣΗ”).
  - ευθυγραμμίστε τους οδηγούς της κορδέλας (Ανατρέξτε στην ενότητα με τίτλο “Ρύθμιση του πάνω οδηγού της κορδέλας” στο “ΠΕΡΙΓΡΑΦΗ ΛΕΙΤΟΥΡΓΙΑΣ”).
  - αφήστε να λειτουργήσει η πριονοκορδέλα δοκιμαστικά για τουλάχιστον ένα λεπτό,
  - σταματήστε την πριονοκορδέλα και ελέγξτε ξανά τις ρυθμίσεις.

### Ρύθμιση της ταχύτητας κοπής (Εικ. 30)

1. Ανοίξτε το κάτω κάλυμμα.
2. Λασκάρτε τον ιμάντα κίνησης στρέφοντας το κουμπί προς τα δεξιά.

3. Τοποθετήστε τον ιμάντα κίνησης πάνω στην απαιτούμενη τροχαλία του τροχού κίνησης (κάτω τροχός της πριονοκορδέλας) και στην αντίστοιχη τροχαλία του μοτέρ με την ετικέτα με τη σημείωση μέσα στο κάτω κάλυμμα.

#### **⚠️ ΠΡΟΣΟΧΗ:**

Ο ιμάντας κίνησης πρέπει να γυρνά πάνω στις δυο μπροστινές ή πάνω στις δυο πίσω τροχαλίες. Ποτέ να μην επιτρέψετε τον τραπεζοειδή ιμάντα να γυρνά διαγώνια.

### **Κουμπί ρύθμισης για το τέντωμα του ιμάντα (Εικ. 31)**

Με το κουμπί ρύθμισης το τέντωμα του ιμάντα μπορεί να διορθωθεί εφόσον είναι απαραίτητο:

- η περιστροφή του κουμπιού ρύθμισης προς τα δεξιά ελαττώνει το τέντωμα του ιμάντα κίνησης.
- η περιστροφή του κουμπιού ρύθμισης προς τα αριστερά αυξάνει το τέντωμα του ιμάντα κίνησης.

Σφίξτε ξανά τον ιμάντα κίνησης περιστρέφοντας το κουμπί προς τα αριστερά (το μέσο διάστημα μεταξύ των τροχαλιών του ιμάντα κίνησης πρέπει να είναι περίπου 10 mm). **(Εικ. 32)**

Κλείστε το κάτω κάλυμμα.

## **ΠΕΡΙΓΡΑΦΗ ΛΕΙΤΟΥΡΓΙΑΣ**

### **Τέντωμα της Πριονοκορδέλας (Εικ. 33)**

#### **⚠️ ΠΡΟΣΟΧΗ:**

**Το υπερβολικό τέντωμα μπορεί να προκαλέσει τη διάρρηξη της πριονοκορδέλας. Το χαλαρό τέντωμα μπορεί να προκαλέσει το γλίστρημα της πριονοκορδέλας και το σταμάτημά της.**

1. Ανυψώστε πλήρως τον πάνω οδηγό της κορδέλας. Κρατώντας τη κλίμακα ως οδηγό, και λαμβάνοντας υπόψη τον πλάτος της κορδέλας περιστρέψτε το κουμπί για να ρυθμίσετε την τάση. (Μετά τη ρύθμιση, ελέγξτε την τάση όπως δείχνεται στο στοιχείο 2.)
2. Έλεγχος του τέντωματος της κορδέλας:
  - ελέγξτε το τέντωμα σπρώχνοντας με το ένα δάκτυλο προς το πλάι την κορδέλα, στο μέσον μεταξύ της πλάκας και του πάνω οδηγού της κορδέλας (η κορδέλα δεν θα πρέπει να καμφθεί περισσότερο από 1-2 mm).
  - ελέγξτε τη ρύθμιση στο δείκτη τεντώματος της κορδέλας. Η κλίμακα δείχνει τη σωστή ρύθμιση ανάλογα με το πλάτος της πριονοκορδέλας.
3. Διορθώστε το τέντωμα εάν είναι απαραίτητο:
  - η περιστροφή του κουμπιού ρύθμισης προς τα δεξιά αυξάνει το τέντωμα της κορδέλας.
  - η περιστροφή του κουμπιού ρύθμισης προς τα αριστερά μειώνει το τέντωμα της κορδέλας.

### **Ευθυγράμμιση της πριονοκορδέλας (Εικ. 34)**

Εάν η πριονοκορδέλα δεν γυρνά στο μέσον των ελαστικών τροχών, η τροχιά πρέπει να διορθωθεί ρυθμίζοντας την κλίση του πάνω τροχού της πριονοκορδέλας.

1. Ξεσφίξτε το κουμπί ασφάλισης.
2. Περιστρέψτε με το χέρι τον πάνω τροχό, προσέχοντας να μην αγγίξετε την κορδέλα.
3. Στρέψτε το κουμπί ρύθμισης προς τα δεξιά, εάν η πριονοκορδέλα γυρνά προς το εμπρός ως προς το μηχάνημα.
  - Στρέψτε το κουμπί ρύθμισης προς τα αριστερά, εάν η πριονοκορδέλα γυρνά προς τα πίσω ως προς το μηχάνημα.
4. Μετά τη ρύθμιση, πάντοτε να κλείνετε το κουμπί ασφάλισης. **(Εικ. 35)**

### **Μοχλός γρήγορης απελευθέρωσης (Εικ. 36)**

Με τον μοχλό γρήγορης απελευθέρωσης χαλαρώνει το τέντωμα της πριονοκορδέλας.

Δεξιόστροφα: Ελάττωση του τεντώματος

Αριστερόστροφα: Αύξηση του τεντώματος

### **Ρύθμιση πάνω οδηγού κορδέλας (Εικ. 37)**

Το ύψος του πάνω οδηγού της κορδέλας απαιτεί ρύθμιση: πριν από το κάθε κόψιμο/λειτουργία, για να ταιριάζει το ύψος κοπής του τεμαχίου εργασίας (ο πάνω οδηγός της κορδέλας πρέπει να είναι περίπου 3 mm πάνω από το τεμάχιο εργασίας),

- μετά τις ρυθμίσεις της πριονοκορδέλας ή της πλάκας (π.χ. αλλαγή της πριονοκορδέλας, τέντωμα της πριονοκορδέλας, ευθυγράμμιση της πλάκας πριονίσματος).

#### **⚠️ ΠΡΟΣΟΧΗ:**

Πριν από τη ρύθμιση του πάνω οδηγού της κορδέλας και της κλίσης της πλάκας πριονίσματος:

- απενεργοποιήστε το μηχάνημα,
- περιμένετε έως ότου η πριονοκορδέλα σταματήσει τελείως.

- Ρυθμίστε στο επιθυμητό ύψος τον πάνω οδηγό της κορδέλας με το κουμπί ρύθμισης ξεσφίγγοντας το κουμπί ασφάλισης. Μετά από τη ρύθμιση φροντίστε να σφίξετε το παξιμάδι ασφάλισης.
- Ποτέ να μην κόβετε ταυτόχρονα μερικά τεμάχια εργασίας - καθώς επίσης ούτε δέσμες που περιέχουν ορισμένα μεμονωμένα κομμάτια. Υπάρχει κίνδυνος προσωπικού τραυματισμού αν πιαστούν χωρίς έλεγχο από την πριονοκορδέλα.

1. Ξεσφίξτε το μπουλόνι C, και ρυθμίστε το στήριγμα έδρασης έτσι ώστε το οδηγό έδρανο να βρίσκεται 1 ή 2 mm από τη βάση της κορδέλας. **(Εικ. 38 - 40)**
2. Ξεσφίξτε το μπουλόνι A και προσαρμόστε το έδρανο ώσης σε μια θέση 0,5 mm από το πίσω μέρος της κορδέλας.
3. Ξεσφίξτε το μπουλόνι B και προσαρμόστε το οδηγό έδρανο σε μια θέση 0,5 mm μακριά από τη κορδέλα.

### **Ευθυγραμμίστε τον κάτω οδηγό της κορδέλας (Εικ. 41)**

Ο κάτω οδηγός κορδέλας αποτελείται από:

- ένα έδρανο ώσης (υποστηρίζει την πριονοκορδέλα από πίσω).
- δυο οδηγά έδρανα (παροχή πλευρικής στήριξης).

Αυτά τα μέρη απαιτούν επαναρύθμιση μετά από την κάθε αλλαγή της πριονοκορδέλας ή από την ρύθμιση της διαδρομής:

#### **Σημείωση:**

Περιοδικά ελέγχετε τα έδρανα ώσης και τα οδηγά έδρανα για ύπαρξη φθοράς, εάν είναι απαραίτητο αντικαταστήστε και τα δυο οδηγά έδρανα ταυτόχρονα.

- Ανοίξτε την πόρτα του κάτω καλύμματος και το κάτω προστατευτικό της κορδέλας.
- Ξεσφίξτε το εξάγωνο μπουλόνι, μετακινήστε τον κάτω προφυλακτήρα της κορδέλας και προσαρμόστε το οδηγό έδρανο σε μια θέση 1 ή 2 mm από τη βάση της μεμονωμένης κορδέλας.

### **Ρύθμιση των εδράνων ώσης**

1. Ξεσφίξτε το μπουλόνι A.
2. Ρυθμίστε τη θέση του εδράνου ώσης (απόσταση εδράνου ώσης - πριονοκορδέλα = 0,5 mm — αν η πριονοκορδέλα περιστραφεί με το χέρι, δεν θα πρέπει να αγγιχθεί το έδρανο ώσης).
3. Σφίξτε το μπουλόνι A.

### **Ρύθμιση των οδηγητικών εδράνων (Εικ. 42)**

1. Ξεσφίξτε το μπουλόνι B.

2. Τοποθετήστε το οδηγητικό έδρανο έναντι της προνοκορδέλας.
3. Περιστρέψτε τον τροχό της προνοκορδέλας με το χέρι προς τα δεξιά ορισμένες φορές για να φέρετε τα οδηγητικά έδρανα στη σωστή θέση. Ξεσφίξτε το μπουλόνι Α και προσαρμόστε το έδρανο ώσης σε μια θέση 0,5 mm από το πίσω μέρος της κορδέλας. Και τα δυο οδηγία έδρανα πρέπει ΜΟΛΙΣ ΝΑ ΑΓΓΙΖΟΥΝ την προνοκορδέλα.
4. Ξεσφίξτε το μπουλόνι Β.
5. Κλείστε τον κάτω προφυλακτήρα της κορδέλας.
6. Κλείστε την πόρτα του κάτω καλύμματος.

### Ευθυγράμμιση της πλάκας πριονίσματος υπό δεξιές γωνίες ως προς την προνοκορδέλα (Εικ. 43 και 44)

1. Αнуψώστε τον πάνω οδηγό της κορδέλας (δείτε το “Λειτουργία”).
2. Ελέγξτε το τέντωμα της προνοκορδέλας (δείτε “ΠΕΡΙΓΡΑΦΗ ΛΕΙΤΟΥΡΓΙΑΣ”).  
Στρέψτε το χερούλι δεξιόστροφα να δώσετε κλίση στην πλάκα προς την αριστερή κατεύθυνση και στη συνέχεια, στρέψτε το χερούλι προς τα αριστερά για να δώσετε κλίση στην πλάκα προς την δεξιά κατεύθυνση.
3. Ξεσφίξτε το μοχλό ασφάλισης.
4. Χρησιμοποιώντας ένα τριγωνικό οδηγό, ρυθμίστε την πλάκα υπό δεξιές γωνίες ως προς την κορδέλα στρέφοντας το χερούλι για να ρυθμίσετε την πλάκα και σφίξτε τον μοχλό ασφάλισης ξανά.
5. Ρυθμίστε την βίδα περιορισμού έως ότου αγγίξει την υποδοχή της προνοκορδέλας.

### Λειτουργία (Εικ. 45 και 46)

#### ⚠ Κίνδυνος:

Για την μείωση του κινδύνου του προσωπικού τραυματισμού όσο το δυνατόν περισσότερο, θα πρέπει να τηρούνται οι παρακάτω οδηγίες ασφαλείας κατά τον χειρισμό του μηχανήματος.

#### ⚠ ΠΡΟΣΟΧΗ:

- Μην αγγίζετε την προνοκορδέλα κατά την κοπή.
- Κατά την λειτουργία του πριονίσματος, φοράτε γυαλιά ασφαλείας αλλά να μην φοράτε γάντια.
- Κόβετε μόνο ένα τεμάχιο εργασίας τη φορά.
- Πάντοτε να κρατάτε κάτω το τεμάχιο εργασίας πάνω στη πλάκα.
- Μην μπλοκάρτε κανένα τεμάχιο εργασίας.
- Μην προσπαθήσετε να καθυστερήσετε την κίνηση της προνοκορδέλας σπρώχνοντας το τεμάχιο εργασίας πάνω στη προνοκορδέλα από το πλάι.
- Κατά την ευθεία κοπή έναντι του οδηγού τεμαχίου χρησιμοποιήστε μια ράβδο ώθησης.
- Αν το απαιτεί ο τύπος της εργασίας, χρησιμοποιήστε τα παρακάτω:
  - ράβδος ώθησης — εάν η απόσταση οδηγού κομματιού-πριονοκορδέλας  $\leq 150$  mm,
  - υποστήριγμα εργασίας — για μακρύ τεμάχιο, το οποίο σε διαφορετική περίπτωση θα έπεφτε από την πλάκα με την ολοκλήρωση της κοπής,
  - συλλέκτης σκόνης,
  - κατά την κοπή στρογγυλών τεμαχίων, στερεώστε καλά το υλικό όπως φαίνεται στο διάγραμμα.
  - ένα κατάλληλο οδηγό για σταθερή υποστήριξη κατά την κοπή λεπτών τεμαχίων στην άκρη.
  - γάντια για τον χειρισμό της προνοκορδέλας και του τραχιού υλικού.

- Πριν την έναρξη της εργασίας, ελέγξτε για να δείτε ότι τα παρακάτω βρίσκονται σε καλή κατάσταση εργασίας:
  - προνοκορδέλα,
  - πάνω και κάτω προφυλακτήρας κορδέλας.
- Αντικαταστήστε τα εξαρτήματα που έχουν πάθει ζημιά αμέσως.
- Διατηρήστε τη σωστή θέση εργασίας (τα δόντια της προνοκορδέλας πρέπει να κατευθύνονται προς τον χειριστή).

### Πριόνισμα

#### ⚠ ΠΡΟΕΙΔΟΠΟΙΗΣΗ:

Κίνδυνος οπισθολακτίσματος (το τεμάχιο εργασίας πιάστηκε από την προνοκορδέλα και πετάχτηκε προς τον χειριστή.)

Μην μπλοκάρτε κανένα τεμάχιο εργασίας.

- Επιλέξτε οδηγό τεμαχίου και την κλίση της πλάκας για τον τύπο της εργασίας κοπής που πρόκειται να εκτελεστεί.
- Ρυθμίστε τον πάνω οδηγό της κορδέλας 3 mm πάνω από το τεμάχιο εργασίας.

#### Σημείωση:

Πάντοτε να εκτελείτε ένα δοκιμαστικό κόψιμο πάνω σε ένα άχρηστο τεμάχιο για να επιβεβαιώσετε τις ρυθμίσεις, διορθώστε εάν είναι απαραίτητο πριν την εκτέλεση της κοπής στο τεμάχιο εργασίας.

- Τοποθετήστε το τεμάχιο εργασίας στη προνοκορδέλα.
- Ενεργοποιήστε.
- Ξεκινήστε το πριόνισμα.
- Κόψτε το τεμάχιο εργασίας με μόνο ένα πέρασμα.
- Απενεργοποιήστε αμέσως μετά εάν δεν πρόκειται να προβείτε σε άλλη κοπή.
- Χρησιμοποιήστε την βοηθητική πλάκα που πωλείται ξεχωριστά.

### Κλίση πλάκας πριονίσματος (Εικ. 47)

#### ⚠ ΠΡΟΣΟΧΗ:

Κατά την λοξοτομή με την πλάκα υπό κλίση, τοποθετήστε τον οδηγό στο κατώτερο τμήμα της πλάκας.

Μετά το ξέσφιγμα του μοχλού ασφάλισης η πλάκα πριονίσματος μπορεί να λάβει κλίση κατά διαστήματα έως τις 47° έναντι της κορδέλας.

Στρέψτε το χερούλι δεξιόστροφα να δώσετε κλίση στην πλάκα προς την αριστερή κατεύθυνση και στη συνέχεια, στρέψτε το χερούλι προς τα αριστερά για να δώσετε κλίση στην πλάκα προς την δεξιά κατεύθυνση.

### Σύνδεση σε ηλεκτρική σκούπα (Εικ. 48 και 49)

Οι λειτουργίες καθαρισμού μπορούν να εκτελεστούν συνδέοντας το εργαλείο σε μια σκούπα αναρρόφησης Makita ή σε ένα συλλογέα σκόνης.

Εάν τοποθετηθεί ένα εξαγωγέας σκόνης στον συλλογέα μεγάλου ανοίγματος, αναδιατάξτε τον συλλογέα σκόνης για να διασφαλίσετε ότι είναι διαθέσιμο το μεγάλο άνοιγμα.

### Πως να μετακινήσετε το μηχάνημα (Εικ. 50)

- Αнуψώστε το χερούλι για να μπορεί να μετακινηθεί το μηχάνημα.
- Κατά την μεταφορά ο προφυλακτήρας της προνοκορδέλας πρέπει να βρίσκεται πλήρως προς τα κάτω και κλειστός στην πλάκα.
- Μη χρησιμοποιείτε την προφύλαξη του μηχανήματος κατά τον χειρισμό ή την μεταφορά.

#### ⚠ ΠΡΟΣΟΧΗ:

- Εάν το χερούλι ανυψωθεί πολύ υψηλά, το μηχάνημα μπορεί να αναποδογυρίσει.

## ΣΥΝΤΗΡΗΣΗ

### ⚠ ΠΡΟΣΟΧΗ:

- Να βεβαιώνετε πάντοτε ότι το εργαλείο είναι σβηστό και αποσυνδεδεμένο από το ηλεκτρικό ρεύμα πριν εκτελέσετε οποιαδήποτε εργασία ελέγχου ή συντήρησης σε αυτό.

### ΣΗΜΕΙΩΣΗ:

- Μην χρησιμοποιήσετε βενζίνη, βενζόλη, διαλυτικό, αλκοόλη ή κάτι παρόμοιο. Μπορεί να προκληθεί αποχρωματισμός, παραμόρφωση ή ρωγμές.

### Καθαρισμός

Καθαρίστε κατά διαστήματα την πριονόσκονη και τα πριονίδια. Καθαρίστε προσεκτικά τον προφυλακτήρα της κορδέλας και τα κινούμενα μέρη μέσα στη πριονοκορδέλα.

### Λίπανση

Για να διατηρήσετε το μηχάνημα της πριονοκορδέλας σε καλή λειτουργική κατάσταση, και να διασφαλίσετε την μέγιστη διάρκεια της ζωής του, λιπάνετε ή γρασάρετε κατά διαστήματα τα κινούμενα και τα περιστρεφόμενα μέρη του.

Για να μειώσετε τον εκπνεόμενο θόρυβο, να βεβαιώνετε πάντοτε ότι η κορδέλα είναι αιχμηρή και καθαρή.

Για να διατηρείται η ΑΣΦΑΛΕΙΑ και η ΑΞΙΟΠΙΣΤΙΑ του προϊόντος, οι εργασίες επισκευής, καθώς και οποιαδήποτε άλλη εργασία συντήρησης ή ρύθμισης, θα πρέπει να εκτελούνται σε εξουσιοδοτημένα κέντρα εξυπηρέτησης της Makita, και πάντοτε με τη χρήση ανταλλακτικών της Makita.

## ΑΞΕΣΟΥΑΡ

### ⚠ ΠΡΟΣΟΧΗ:

- Συνιστάται η χρήση αυτών των αξεσουάρ ή εξαρτημάτων με το εργαλείο της Makita, όπως περιγράφεται στο παρόν εγχειρίδιο. Αν χρησιμοποιήσετε άλλα αξεσουάρ ή εξαρτήματα μπορεί να παρουσιαστεί κίνδυνος για πρόκληση τραυματισμού προσώπων. Να χρησιμοποιείτε τα αξεσουάρ και τα εξαρτήματα μόνο για το σκοπό για τον οποίο προορίζονται. Αν χρειάζεστε κάποια βοήθεια ή περισσότερες πληροφορίες σχετικά με τα αξεσουάρ αυτά, απευθυνθείτε στο πλησιέστερο κέντρο εξυπηρέτησης της Makita.

- Βάση πριονοκορδέλας
- Εξάγωνο άλεν
- Οδηγός τεμαχίου
- Μετρητής απόκλισης
- Κυκλικό προσάρτημα κοπής
- Πλάκα προέκτασης
- Προσάρτημα λείανσης ιμάντα

### Για τις Ευρωπαϊκές Χώρες μόνο

#### Θόρυβος

Το σύνηθες σταθμισμένο επίπεδο ηχητικής πίεσης είναι:

επίπεδο ηχητικής πίεσης: 81 dB (A)

επίπεδο ηχητικής ισχύος: 94 dB (A)

Αβεβαιότητα (K): 3 dB (A)

#### Να φοράτε ωτοασπίδες.

Οι τιμές αυτές έχουν ληφθεί σύμφωνα με το EN61029.

### ΕΚ – Δήλωση συμμόρφωσης

Η Εταιρία Makita ως υπεύθυνος κατασκευαστής, δηλώνει ότι το παρακάτω μηχάνημα ή μηχανήματα της Makita:

Όνομασία Μηχανήματος: Πριονοκορδέλα

Αρ. Μοντέλου/ Τύπος: LB1200F

αποτελεί παραγωγή σε σειρά και

**Συμμορφώνεται με την ακόλουθη Ευρωπαϊκή Οδηγία:**  
2006/42/EK

Και κατασκευάζεται σύμφωνα με τα παρακάτω πρότυπα ή τυποποιημένα έγγραφα:

EN61029

Αρ. Πιστοποιητικού για την Εξέταση Τύπου ΕΚ:

M6A 10 05 26932 017

Η Εξέταση Τύπου ΕΚ εκτελέστηκε από την:

TÜV SÜD Product Service GmbH, Zertifizierstelle,

Ridlerstraße 65, 80339 München, Germany

Αρ. αναγνώρισης 0123

Ο εξουσιοδοτημένος μας αντιπρόσωπος στην Ευρώπη διατηρεί τα τεχνικά έγγραφα, ο οποίος είναι:

Makita International Europe Ltd.,

Michigan, Drive, Tongwell,

Milton Keynes, Bucks MK15 8JD, England

25. 05. 2010



Tomoyasu Kato

Διευθυντής

Makita Corporation

3-11-8, Sumiyoshi-cho,

Anjo, Aichi, JAPAN

**Makita Corporation**  
Anjo, Aichi, Japan

[www.makita.com](http://www.makita.com)

JM21080012

ALA