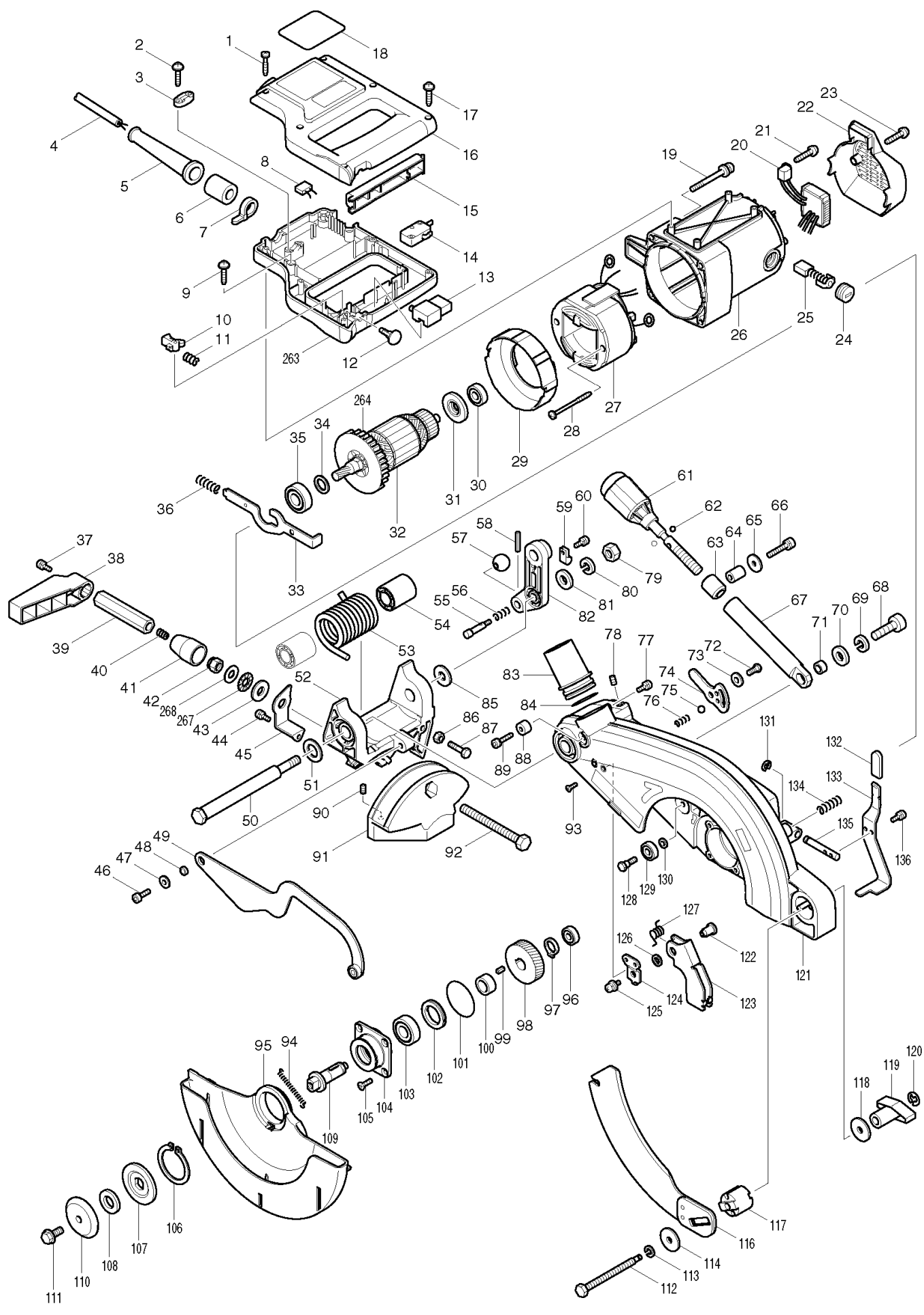


Partdrawing for LF1000 - Explosion drawing I



Nr.	Part nr.	Name
001	265999-8	TAPPING SCREW FLANGE 4X25 6827
1	265999-8	TAPPING SCREW FLANGE 4X25 6827
002	265995-6	TAPPING SCREW 4X18 JR3050-60T
2	265995-6	TAPPING SCREW 4X18 JR3050-60T
2	265995-6	TAPPING SCREW 4X18 JR3050-60T
3	687054-0	STRAIN RELIEF LF1000-2704
004	662971-5	NETSNOER 1X6x1,56
4	662971-5	NETSNOER 1X6x1,56
005	682506-6	CORD GUARD 12-90 LF1000
5	682506-6	CORD GUARD 12-90 LF1000
006	688140-0	LINE FILTER LF1000
6	688140-0	LINE FILTER LF1000
007	687010-0	BAND JS-JN3200-46 LF1000
7	687010-0	BAND JS-JN3200-46 LF1000
008	645006-7	NOISE SUPPRESSOR 2107FK-LF1000
8	645006-7	NOISE SUPPRESSOR 2107FK-LF1000
9	265995-6	TAPPING SCREW 4X18 JR3050-60T
009	265995-6	TAPPING SCREW 4X18 JR3050-60T
010	416356-5	LOCK-OFF LEVER LF1000
10	416356-5	LOCK-OFF LEVER LF1000
11	231026-3	COMPRESSION SPRING 4 LS0714FL
012	416404-0	SWITCH BUTTON LF1000
12	416404-0	SWITCH BUTTON LF1000
013	651923-1	SWITCH 5903R-LF1000
13	651923-1	SWITCH 5903R-LF1000
014	651941-9	SWITCH LF1000
14	651941-9	SWITCH LF1000
015	416357-3	SWITCH LEVER LF1000
15	416357-3	SWITCH LEVER LF1000
16	188063-7	HANDLE SET LF1000
017	265995-6	TAPPING SCREW 4X18 JR3050-60T
17	265995-6	TAPPING SCREW 4X18 JR3050-60T
018	861365-3	NAAMPLAAT LF1000
18	861365-3	NAAMPLAAT LF1000
18	861365-3	NAAMPLAAT LF1000
019	911383-2	SCREW M6X60 LF1000-2704
19	911383-2	SCREW M6X60 LF1000-2704
20	631947-3	CONTROLLER LF1000
21	265995-6	TAPPING SCREW 4X18 JR3050-60T
021	265995-6	TAPPING SCREW 4X18 JR3050-60T
022	416362-0	REAR COVER LF1000
22	416362-0	REAR COVER LF1000
023	265995-6	TAPPING SCREW 4X18 JR3050-60T
23	265995-6	TAPPING SCREW 4X18 JR3050-60T
24	643650-4	BRUSH HOLDER CAP 6.5-13.5 2704
025	181044-0	CARBON BRUSH CB-153

Nr.	Part nr.	Name
25	181044-0	CARBON BRUSH CB-153
026	154569-7	MOTOR HOUSING CPL LF1000
26	154569-7	MOTOR HOUSING CPL LF1000
027	596273-6	FIELD 220-240V LF1000
27	596273-6	FIELD 220-240V LF1000
028	266044-2	TAPPING SCREW FLANGE PT5X60
28	266110-5	TAPSCHROEF PF 5X60 P
029	416361-2	BAFFLE PLATE LF1000
29	416361-2	BAFFLE PLATE LF1000
030	211061-7	KOGELLAGER 6000LLB A
30	211061-7	KOGELLAGER 6000LLB A
031	681642-5	INSULATION WASHER LF1000
31	681642-5	INSULATION WASHER LF1000
032	516748-9	ARMATURE ASSY 220-240V LF1000
32	516748-9	ARMATURE ASSY 220-240V LF1000
033	345574-7	SHAFT LOCK LF1000
33	345574-7	SHAFT LOCK LF1000
34	253147-1	FLAT WASHER 15 LF1000-2704
035	211206-7	KOGELLAGER 6202LLB LS1040 P
35	211228-7	BALL BEARING 6202DDW SA7000
36	231297-2	COMPRESSION SPRING 9 LF1000
037	911113-1	PAN HEAD SCREW M4X10 LF1000
37	911113-1	PAN HEAD SCREW M4X10 LF1000
038	416006-2	LEVER 100 LF1000
38	416006-2	LEVER 100 LF1000
039	252192-3	HEX NUT M10-17 LF1000
39	252192-3	HEX NUT M10-17 LF1000
40	231266-3	COMPRESSION SPRING 5 LF1000
041	331691-9	SPACER LF1000
41	331691-9	SPACER LF1000
42	264005-6	MOER M10-17 A
043	253197-6	FLAT WASHER 10 HR3210FCT
43	253197-6	FLAT WASHER 10 HR3210FCT
044	911113-1	PAN HEAD SCREW M4X10 LF1000
44	911113-1	PAN HEAD SCREW M4X10 LF1000
045	816825-0	INDICATION PLATE
45	816825-0	INDICATION PLATE
46	922332-4	HEX SOCKET HEAD BOLT M6X20
47	253804-1	FLAT WASHER 6 BST221
048	257270-4	RING 6 LF1000
48	257270-4	RING 6 LF1000
49	141540-0	VERBINDINGSPLAAT LF1000 A
050	265532-6	HEX BOLT M10 LF1000
50	265532-6	HEX BOLT M10 LF1000
51	267323-1	SLUITRING 16 A
52	141133-3	ARM COMPLEET LF1000 A

Nr.	Part nr.	Name
053	231681-1	TORSION SPRING 34 LF1000
53	231681-1	TORSION SPRING 34 LF1000
054	416358-1	SLEEVE 17 LF1000
54	416358-1	SLEEVE 17 LF1000
54	416358-1	SLEEVE 17 LF1000
055	256488-4	PIN 7 LF1000
55	256488-4	PIN 7 LF1000
056	233429-7	COMPRESSION SPRING 7 LF1000
56	233429-7	COMPRESSION SPRING 7 LF1000
057	271601-3	KNOB 20 LH1040F-LF1000
57	271601-3	KNOB 20 LH1040F-LF1000
058	951063-8	SPRING PIN 3-16 LF1000
58	951063-8	SPRING PIN 3-16 LF1000
059	687049-3	STRAIN RELIEF LF1000-2704
59	687049-3	STRAIN RELIEF LF1000-2704
060	911113-1	PAN HEAD SCREW M4X10 LF1000
60	911113-1	PAN HEAD SCREW M4X10 LF1000
061	271319-6	KNOB 40 LF1000
61	271319-6	KNOB 40 LF1000
62	216013-3	STEEL BALL 6 LF1000
063	257750-0	SLEEVE 13 LF1000
63	257750-0	SLEEVE 13 LF1000
064	257748-7	SLEEVE 6 LF1000
64	257748-7	SLEEVE 6 LF1000
65	267173-4	FLAT WASHER 6 LF1000
66	922351-0	ZESKANTBOUT M6X30
067	331689-6	ADJUST NUT LF1000
67	331689-6	ADJUST NUT LF1000
068	922557-0	HSH BOLT M10X35 LF1000
68	922557-0	HSH BOLT M10X35 LF1000
069	942251-8	SPRING WASHER 10 LF1000
69	942251-8	SPRING WASHER 10 LF1000
070	941252-3	FLAT WASHER 10 LF1000
70	941252-3	FLAT WASHER 10 LF1000
071	257747-9	SLEEVE 10 LF1000
71	257747-9	SLEEVE 10 LF1000
072	265984-1	HSH BOLT M6 LF1000
73	253823-7	FLAT WASHER 7 LF1000-BHR202
074	345553-5	STOPPER PLATE LF1000
74	345553-5	STOPPER PLATE LF1000
075	216004-4	STEEL BALL 7.9 LF1000
75	216004-4	STEEL BALL 7.9 LF1000
76	231038-6	COMPRESSION SPRING 6 LF1000
077	911113-1	PAN HEAD SCREW M4X10 LF1000
77	911113-1	PAN HEAD SCREW M4X10 LF1000
078	266085-8	HEX SOCKET SET SCREW M6X10

Nr.	Part nr.	Name
78	266085-8	HEX SOCKET SET SCREW M6X10
079	931502-4	HEX NUT M10 7104L-2704
79	931502-4	HEX NUT M10 7104L-2704
080	942251-8	SPRING WASHER 10 LF1000
80	942251-8	SPRING WASHER 10 LF1000
081	941252-3	FLAT WASHER 10 LF1000
81	941252-3	FLAT WASHER 10 LF1000
082	317889-2	CONNECTING ROD LF1000
82	317889-2	CONNECTING ROD LF1000
83	419277-0	
084	213460-9	O RING 35 LF1000
84	213460-9	O RING 35 LF1000
085	253197-6	FLAT WASHER 10 HR3210FCT
85	253197-6	FLAT WASHER 10 HR3210FCT
86	931302-2	HEX NUT M6 HR4011C/3210FCT
086	931302-2	HEX NUT M6 HR4011C/3210FCT
087	921342-8	HEX BOLT M6X25 2704-LF1000
87	921342-8	HEX BOLT M6X25 2704-LF1000
088	257746-1	SLEEVE 5 LF1000
88	257746-1	SLEEVE 5 LF1000
89	922231-0	HEX SOCKET HEAD BOLT M5X20
90	266085-8	HEX SOCKET SET SCREW M6X10
090	266085-8	HEX SOCKET SET SCREW M6X10
091	317887-6	SUB ARM LF1000
91	317887-6	SUB ARM LF1000
092	266377-5	BOLT M10 LF1000
92	266377-5	BOLT M10 LF1000
093	912112-6	COUNTERSUNK LID SCREW M4X10
93	912112-6	COUNTERSUNK LID SCREW M4X10
094	231836-8	TENSION SPRING 4 LF1000
94	231836-8	TENSION SPRING 4 LF1000
95	453711-0	ZAAGBESCHERMKAP LF1000 A
96	210043-6	BALL BEARING 608LLB SA7000
097	961055-9	RETAINING RING S-15 2107FK
97	961055-9	RETAINING RING S-15 2107FK
098	226600-0	HELICAL GEAR 46 LF1000
98	226600-0	HELICAL GEAR 46 LF1000
099	254202-2	KEY 4 2107FK-LF1000
99	254202-2	KEY 4 2107FK-LF1000
100	257266-5	RING 15 LF1000
100	257266-5	RING 15 LF1000
101	213623-7	O RING 46 LF1000
101	213623-7	O RING 46 LF1000
102	285808-5	BEARING RETAINER 25-36 LF1000
103	211206-7	KOGELLAGER 6202LLB LS1040 P
103	211228-7	BALL BEARING 6202DDW SA7000

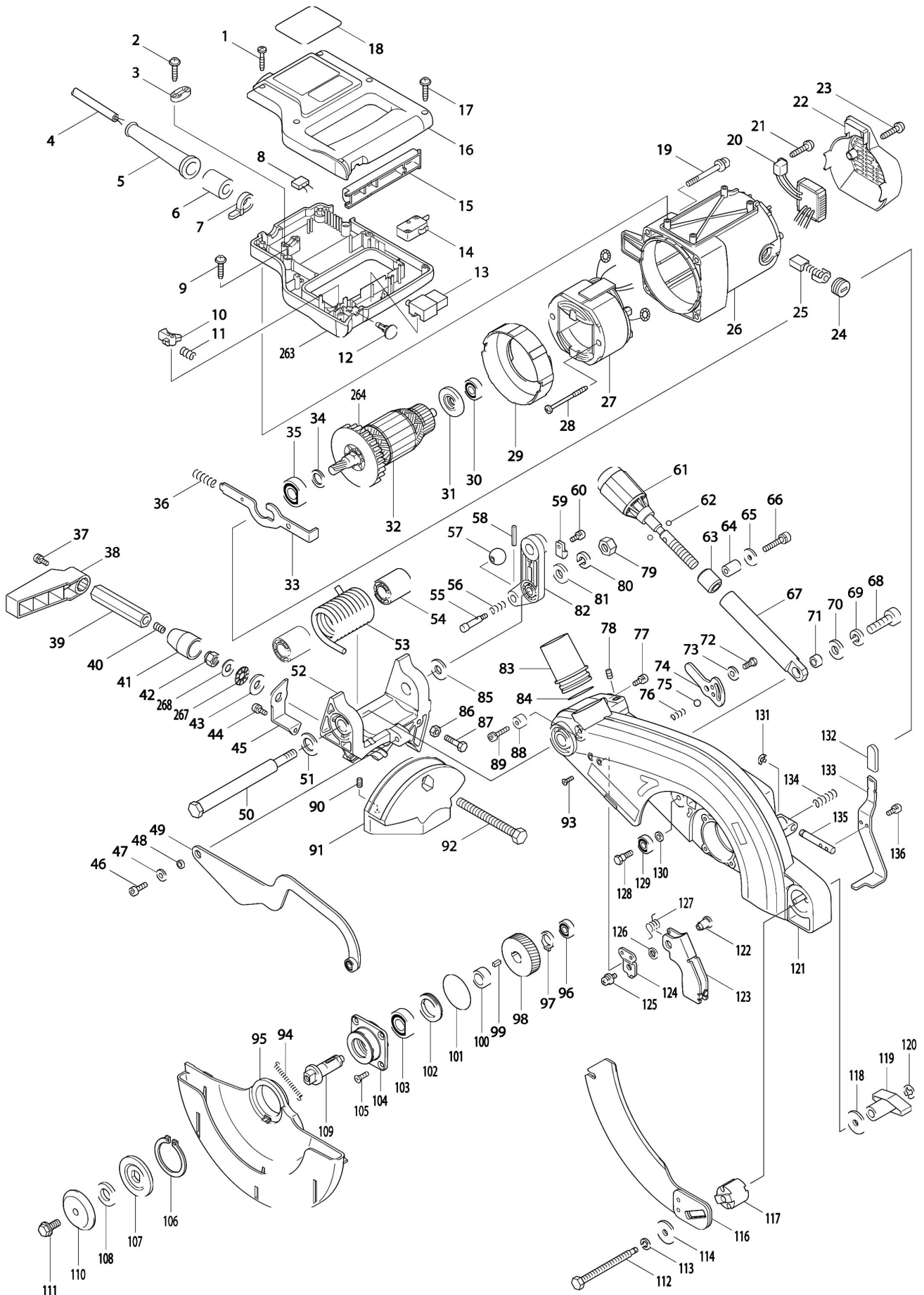
Nr.	Part nr.	Name
104	317888-4	BEARING BOX LF1000
104	317888-4	BEARING BOX LF1000
105	912221-1	
105	912222-9	SCREW M5X16 LF1000
106	961201-4	RETAINING RING S-42 LF1000
106	961201-4	RETAINING RING S-42 LF1000
107	224333-1	FLANGE 53 LS1013-LS1040-LF1000
107	224333-1	FLANGE 53 LS1013-LS1040-LF1000
108	257295-8	
109	324543-1	SPINDLE LF1000
109	324543-1	SPINDLE LF1000
110	224400-2	OUTER FLANGE 53 LF1000
110	224400-2	OUTER FLANGE 53 LF1000
111	266762-2	INBUSBOUT M8X22MM A
112	266763-0	INBUSBOUT M8X97 LF1000 A
113	942201-3	SPRING WASHER 8 4112S-LF1000
113	942201-3	SPRING WASHER 8 4112S-LF1000
114	267312-6	FLAT WASHER 8 LF1000
116	163461-6	RIVING KNIFE LF1000
116	163461-6	RIVING KNIFE LF1000
117	331690-1	KNIFE SUPPORT LF1000
117	331690-1	KNIFE SUPPORT LF1000
118	267312-6	FLAT WASHER 8 LF1000
119	252641-0	WING NUT M8 LF1000
119	252641-0	WING NUT M8 LF1000
120	961011-9	STOPRING E-4 LF1000-HR2230
120	961011-9	STOPRING E-4 LF1000-HR2230
121	154571-0	BLADE CASE CPL LF1000
121	154571-0	BLADE CASE CPL LF1000
122	324497-2	GUARD SHAFT LH1040F-LF1000
123	345554-3	GUARD LF1000
123	345554-3	GUARD LF1000
124	345558-5	GUARD HOLDER LF1000
124	345558-5	GUARD HOLDER LF1000
125	911213-7	PAN HEAD SCREW M5X12 LF1000
125	911213-7	PAN HEAD SCREW M5X12 LF1000
126	267070-4	FLAT WASHER 10 LF1000 JR1000FT
127	231675-6	TORSION SPRING 11 LF1000
127	231675-6	TORSION SPRING 11 LF1000
128	265533-4	HEX BOLT M6 LF1000
128	265533-4	HEX BOLT M6 LF1000
129	210043-6	BALL BEARING 608LLB SA7000
130	267173-4	FLAT WASHER 6 LF1000
131	259053-8	STOPRING E-6 A
131	961012-7	STOPRING E-6 2012NB-LF1000
132	421589-9	CAP LS1013-LH1040F-LF1000

Nr.	Part nr.	Name
132	421589-9	CAP LS1013-LH1040F-LF1000
133	345552-7	LOCK LEVER LF1000
133	345552-7	LOCK LEVER LF1000
134	231297-2	COMPRESSION SPRING 9 LF1000
135	256855-3	ROD 8 LF1000
135	256855-3	ROD 8 LF1000
136	911113-1	PAN HEAD SCREW M4X10 LF1000
136	911113-1	PAN HEAD SCREW M4X10 LF1000
137	912112-6	COUNTERSUNK LID SCREW M4X10
138	912112-6	COUNTERSUNK LID SCREW M4X10
139	345541-2	SLIDE PLATE L LF1000
140	345542-0	SLIDE PLATE R LF1000
143	251815-0	SCREW M6X25 LF1000
144	268068-4	PIN 5 6796FD-LF1000
145	154578-6	
146	911258-5	SCREW M5X35 HR2800-LF1000
147	911113-1	PAN HEAD SCREW M4X10 LF1000
148	816827-6	SCALE PLATE R LF1000
149	816826-8	SCALE PLATE L LF1000
150	911113-1	PAN HEAD SCREW M4X10 LF1000
151	911258-5	SCREW M5X35 HR2800-LF1000
152	154577-8	
156	216004-4	STEEL BALL 7.9 LF1000
157	265710-8	THUMB SCREW M6X33 LF1000
159	345547-0	HOOK LF1000
160	331687-0	SQUARE PIPE 32-510 LF1000
161	931302-2	HEX NUT M6 HR4011C/3210FCT
162	418927-4	FOOT LF1000
163	154592-2	SUPPORT BRACKET CPL LF1000
164	921367-2	HEX BOLT M6X45 LF1000
165	687049-3	STRAIN RELIEF LF1000-2704
166	911113-1	PAN HEAD SCREW M4X10 LF1000
167	687049-3	STRAIN RELIEF LF1000-2704
168	911113-1	PAN HEAD SCREW M4X10 LF1000
169	931502-4	HEX NUT M10 7104L-2704
170	942251-8	SPRING WASHER 10 LF1000
172	265553-8	INBUSBOUT M8X20MM LF1000 A
173	331686-2	SQUARE PIPE 32-475 LF1000
175	961012-7	STOPRING E-6 2012NB-LF1000
176	257749-5	SLEEVE 8 LF1000
177	961012-7	STOPRING E-6 2012NB-LF1000
178	961012-7	STOPRING E-6 2012NB-LF1000
180	345543-8	BRACKET LF1000
182	268127-4	PIN 8 LF1000
183	345548-8	STOPPER HOOK LF1000
185	268127-4	PIN 8 LF1000

Nr.	Part nr.	Name
187	268141-0	PIN 8 LF1000
189	931302-2	HEX NUT M6 HR4011C/3210FCT
190	418925-8	FOOT BOLT LF1000
192	418926-6	FOOT NUT LF1000
193	265995-6	TAPPING SCREW 4X18 JR3050-60T
194	687209-7	BAND LF1000
195	682540-6	CORD GUARD 10 LF1000-UC3020A
196	652772-9	RELAY LH1040F-LF1000-2704
197	418924-0	SWITCH BOX COVER LF1000
198	911148-2	SCHROEF 4X25 A
199	654561-8	TERMINAL BLOCK 2012NB-LH1040F
200	645206-9	NOISE SUPPRESSOR LF1000
201	686035-1	RECEPTACLE SLEEVE LF1000
202	418618-7	PIN LH1040F-LF1000-2704
204	443103-1	FELT RING 6 LH1040F-LF1000
206	418617-9	SWITCH BUTTON OFF LH1040F-2704
207	418616-1	SWITCH BUTTON ON LH1040F-2704
209	443103-1	FELT RING 6 LH1040F-LF1000
211	418618-7	PIN LH1040F-LF1000-2704
212	418929-0	SWITCH COVER LF1000
213	231682-9	TORSION SPRING 5 LF1000
214	331686-2	SQUARE PIPE 32-475 LF1000
215	418923-2	SWITCH BOX LF1000
216	682511-3	GROMMET LF1000-2704
218	265995-6	TAPPING SCREW 4X18 JR3050-60T
219	665865-3	NETSNOER 2X1.50 2.5MTR P
221	265995-6	TAPPING SCREW 4X18 JR3050-60T
222	931302-2	HEX NUT M6 HR4011C/3210FCT
224	331686-2	SQUARE PIPE 32-475 LF1000
225	345546-2	SUPPORT BRACKET LF1000
226	921367-2	HEX BOLT M6X45 LF1000
227	154593-0	PIPE 32 CPL LF1000
228	154572-8	TABLE CPL LF1000
229	266360-2	SCREW M10 LF1000
230	911113-1	PAN HEAD SCREW M4X10 LF1000
234	257749-5	SLEEVE 8 LF1000
235	418931-3	CAP LF1000
237	911108-4	SCREW M4X8 2012NB-LF1000-2704
239	257749-5	SLEEVE 8 LF1000
242	231680-3	TORSION SPRING 17 LF1000
243	911333-7	SCREW M6X20 2414(N)B-RP1110C
244	911333-7	SCREW M6X20 2414(N)B-RP1110C
245	421906-3	CUSHION LF1000
246	345550-1	STOPPER BRACKET R LF1000
247	265984-1	HSH BOLT M6 LF1000
249	345551-9	LEVER LF1000

Nr.	Part nr.	Name
250	911333-7	SCREW M6X20 2414(N)B-RP1110C
251	421906-3	CUSHION LF1000
252	345550-1	STOPPER BRACKET R LF1000
253	911333-7	SCREW M6X20 2414(N)B-RP1110C
254	911333-7	SCREW M6X20 2414(N)B-RP1110C
255	421906-3	CUSHION LF1000
256	345549-6	STOPPER BRACKET F LF1000
257	911333-7	SCREW M6X20 2414(N)B-RP1110C
260	257751-8	SLEEVE 8 LF1000
263	182955-2	
264	240003-4	FAN 80 2702/2704-2012NB-TW1000
264	240003-4	FAN 80 2702/2704-2012NB-TW1000
265	941152-7	FLAT WASHER 6 2107FK-LF1000
266	941152-7	FLAT WASHER 6 2107FK-LF1000
267	216413-7	THRUST NEEDLE BEARING 1024
267	216413-7	THRUST NEEDLE BEARING 1024
268	253024-7	FLAT WASHER 10 LS1013-LH1040F
268	253024-7	FLAT WASHER 10 LS1013-LH1040F
273	418931-3	CAP LF1000
003-1	687149-9	STRAIN RELIEF VC3210L
011-1	233483-1	
016-1	188063-7	HANDLE SET LF1000
020-1	631947-3	CONTROLLER LF1000
024-1	643650-4	BRUSH HOLDER CAP 6.5-13.5 2704
034-1	267320-7	
036-1	233467-9	
040-2	231266-3	COMPRESSION SPRING 5 LF1000
042-1	264005-6	MOER M10-17 A
046-1	265551-2	
047-1	267325-7	
049-1	141540-0	VERBINDINGSPLAAT LF1000 A
051-1	267323-1	SLUITRING 16 A
052-1	141133-3	ARM COMPLEET LF1000 A
062-1	216030-3	
065-1	267313-4	
066-1	265552-0	
073-1	267326-5	
076-1	233466-1	
083-1	419277-0	
089-1	265550-4	
095-1	453711-0	ZAAGBESCHERMKAP LF1000 A
096-1	210043-6	BALL BEARING 608LLB SA7000
102-1	285846-7	
108-1	257295-8	
111-1	266762-2	INBUSBOUT M8X22MM A
112-1	266763-0	INBUSBOUT M8X97 LF1000 A

Nr.	Part nr.	Name
114-1	267312-6	FLAT WASHER 8 LF1000
118-1	267312-6	FLAT WASHER 8 LF1000
122-1	324664-9	
126-1	267327-3	
129-1	210043-6	BALL BEARING 608LLB SA7000
130-1	267313-4	
134-1	233467-9	
141-1	265551-2	
142-1	141631-7	DRAAISCHIJF LF1000 A
153-2	142820-7	GUIDE FENCE COMPLETE
154-1	266392-9	ZESKANTBOUT M10X12 A
155-1	233466-1	
158-1	188862-7	FRAME SET LF1000
171-1	267328-1	
172-1	265553-8	INBUSBOUT M8X20MM LF1000 A
174-1	267321-5	
179-1	267321-5	
181-1	267321-5	
186-1	267321-5	
188-1	267312-6	FLAT WASHER 8 LF1000
191-1	233468-7	
203-1	233464-5	
205-1	267322-3	
208-1	267322-3	
210-1	233464-5	
217-1	687149-9	STRAIN RELIEF VC3210L
220-1	687124-5	STRAIN RELIEF MT953-HP1631
223-1	267312-6	FLAT WASHER 8 LF1000
231-1	410047-0	
232-1	266391-1	SCHROEF M6 LC1230 A
233-1	265554-6	
236-1	816856-9	
238-1	265551-2	
240-1	265554-6	
241-1	188862-7	FRAME SET LF1000
248-1	267326-5	
258-1	265555-4	
259-1	267399-8	SLUITRING 8X3MM LF1000 A
261-1	265549-9	
262-1	931102-0	HEX NUT M4 2704-AF500
263-1	188063-7	HANDLE SET LF1000
269-1	267319-2	
271-1	267319-2	



Nr.	Part nr.	Name
001	265999-8	TAPPING SCREW FLANGE 4X25 6827
1	265999-8	TAPPING SCREW FLANGE 4X25 6827
002	265995-6	TAPPING SCREW 4X18 JR3050-60T
2	265995-6	TAPPING SCREW 4X18 JR3050-60T
2	265995-6	TAPPING SCREW 4X18 JR3050-60T
3	687054-0	STRAIN RELIEF LF1000-2704
004	662971-5	NETSNOER 1X6x1,56
4	662971-5	NETSNOER 1X6x1,56
005	682506-6	CORD GUARD 12-90 LF1000
5	682506-6	CORD GUARD 12-90 LF1000
006	688140-0	LINE FILTER LF1000
6	688140-0	LINE FILTER LF1000
007	687010-0	BAND JS-JN3200-46 LF1000
7	687010-0	BAND JS-JN3200-46 LF1000
008	645006-7	NOISE SUPPRESSOR 2107FK-LF1000
8	645006-7	NOISE SUPPRESSOR 2107FK-LF1000
9	265995-6	TAPPING SCREW 4X18 JR3050-60T
009	265995-6	TAPPING SCREW 4X18 JR3050-60T
010	416356-5	LOCK-OFF LEVER LF1000
10	416356-5	LOCK-OFF LEVER LF1000
11	231026-3	COMPRESSION SPRING 4 LS0714FL
012	416404-0	SWITCH BUTTON LF1000
12	416404-0	SWITCH BUTTON LF1000
013	651923-1	SWITCH 5903R-LF1000
13	651923-1	SWITCH 5903R-LF1000
014	651941-9	SWITCH LF1000
14	651941-9	SWITCH LF1000
015	416357-3	SWITCH LEVER LF1000
15	416357-3	SWITCH LEVER LF1000
16	188063-7	HANDLE SET LF1000
017	265995-6	TAPPING SCREW 4X18 JR3050-60T
17	265995-6	TAPPING SCREW 4X18 JR3050-60T
018	861365-3	NAAMPLAAT LF1000
18	861365-3	NAAMPLAAT LF1000
18	861365-3	NAAMPLAAT LF1000
019	911383-2	SCREW M6X60 LF1000-2704
19	911383-2	SCREW M6X60 LF1000-2704
20	631947-3	CONTROLLER LF1000
21	265995-6	TAPPING SCREW 4X18 JR3050-60T
021	265995-6	TAPPING SCREW 4X18 JR3050-60T
022	416362-0	REAR COVER LF1000
22	416362-0	REAR COVER LF1000
023	265995-6	TAPPING SCREW 4X18 JR3050-60T
23	265995-6	TAPPING SCREW 4X18 JR3050-60T
24	643650-4	BRUSH HOLDER CAP 6.5-13.5 2704
025	181044-0	CARBON BRUSH CB-153

Nr.	Part nr.	Name
25	181044-0	CARBON BRUSH CB-153
026	154569-7	MOTOR HOUSING CPL LF1000
26	154569-7	MOTOR HOUSING CPL LF1000
027	596273-6	FIELD 220-240V LF1000
27	596273-6	FIELD 220-240V LF1000
028	266044-2	TAPPING SCREW FLANGE PT5X60
28	266110-5	TAPSCHROEF PF 5X60 P
029	416361-2	BAFFLE PLATE LF1000
29	416361-2	BAFFLE PLATE LF1000
030	211061-7	KOGELLAGER 6000LLB A
30	211061-7	KOGELLAGER 6000LLB A
031	681642-5	INSULATION WASHER LF1000
31	681642-5	INSULATION WASHER LF1000
032	516748-9	ARMATURE ASSY 220-240V LF1000
32	516748-9	ARMATURE ASSY 220-240V LF1000
033	345574-7	SHAFT LOCK LF1000
33	345574-7	SHAFT LOCK LF1000
34	253147-1	FLAT WASHER 15 LF1000-2704
035	211206-7	KOGELLAGER 6202LLB LS1040 P
35	211228-7	BALL BEARING 6202DDW SA7000
36	231297-2	COMPRESSION SPRING 9 LF1000
037	911113-1	PAN HEAD SCREW M4X10 LF1000
37	911113-1	PAN HEAD SCREW M4X10 LF1000
038	416006-2	LEVER 100 LF1000
38	416006-2	LEVER 100 LF1000
039	252192-3	HEX NUT M10-17 LF1000
39	252192-3	HEX NUT M10-17 LF1000
40	231266-3	COMPRESSION SPRING 5 LF1000
041	331691-9	SPACER LF1000
41	331691-9	SPACER LF1000
42	264005-6	MOER M10-17 A
043	253197-6	FLAT WASHER 10 HR3210FCT
43	253197-6	FLAT WASHER 10 HR3210FCT
044	911113-1	PAN HEAD SCREW M4X10 LF1000
44	911113-1	PAN HEAD SCREW M4X10 LF1000
045	816825-0	INDICATION PLATE
45	816825-0	INDICATION PLATE
46	922332-4	HEX SOCKET HEAD BOLT M6X20
47	253804-1	FLAT WASHER 6 BST221
048	257270-4	RING 6 LF1000
48	257270-4	RING 6 LF1000
49	141540-0	VERBINDINGSPLAAT LF1000 A
050	265532-6	HEX BOLT M10 LF1000
50	265532-6	HEX BOLT M10 LF1000
51	267323-1	SLUITRING 16 A
52	141133-3	ARM COMPLEET LF1000 A

Nr.	Part nr.	Name
053	231681-1	TORSION SPRING 34 LF1000
53	231681-1	TORSION SPRING 34 LF1000
054	416358-1	SLEEVE 17 LF1000
54	416358-1	SLEEVE 17 LF1000
54	416358-1	SLEEVE 17 LF1000
055	256488-4	PIN 7 LF1000
55	256488-4	PIN 7 LF1000
056	233429-7	COMPRESSION SPRING 7 LF1000
56	233429-7	COMPRESSION SPRING 7 LF1000
057	271601-3	KNOB 20 LH1040F-LF1000
57	271601-3	KNOB 20 LH1040F-LF1000
058	951063-8	SPRING PIN 3-16 LF1000
58	951063-8	SPRING PIN 3-16 LF1000
059	687049-3	STRAIN RELIEF LF1000-2704
59	687049-3	STRAIN RELIEF LF1000-2704
060	911113-1	PAN HEAD SCREW M4X10 LF1000
60	911113-1	PAN HEAD SCREW M4X10 LF1000
061	271319-6	KNOB 40 LF1000
61	271319-6	KNOB 40 LF1000
62	216013-3	STEEL BALL 6 LF1000
063	257750-0	SLEEVE 13 LF1000
63	257750-0	SLEEVE 13 LF1000
064	257748-7	SLEEVE 6 LF1000
64	257748-7	SLEEVE 6 LF1000
65	267173-4	FLAT WASHER 6 LF1000
66	922351-0	ZESKANTBOUT M6X30
067	331689-6	ADJUST NUT LF1000
67	331689-6	ADJUST NUT LF1000
068	922557-0	HSH BOLT M10X35 LF1000
68	922557-0	HSH BOLT M10X35 LF1000
069	942251-8	SPRING WASHER 10 LF1000
69	942251-8	SPRING WASHER 10 LF1000
070	941252-3	FLAT WASHER 10 LF1000
70	941252-3	FLAT WASHER 10 LF1000
071	257747-9	SLEEVE 10 LF1000
71	257747-9	SLEEVE 10 LF1000
072	265984-1	HSH BOLT M6 LF1000
73	253823-7	FLAT WASHER 7 LF1000-BHR202
074	345553-5	STOPPER PLATE LF1000
74	345553-5	STOPPER PLATE LF1000
075	216004-4	STEEL BALL 7.9 LF1000
75	216004-4	STEEL BALL 7.9 LF1000
76	231038-6	COMPRESSION SPRING 6 LF1000
077	911113-1	PAN HEAD SCREW M4X10 LF1000
77	911113-1	PAN HEAD SCREW M4X10 LF1000
078	266085-8	HEX SOCKET SET SCREW M6X10

Nr.	Part nr.	Name
78	266085-8	HEX SOCKET SET SCREW M6X10
079	931502-4	HEX NUT M10 7104L-2704
79	931502-4	HEX NUT M10 7104L-2704
080	942251-8	SPRING WASHER 10 LF1000
80	942251-8	SPRING WASHER 10 LF1000
081	941252-3	FLAT WASHER 10 LF1000
81	941252-3	FLAT WASHER 10 LF1000
082	317889-2	CONNECTING ROD LF1000
82	317889-2	CONNECTING ROD LF1000
83	419277-0	
084	213460-9	O RING 35 LF1000
84	213460-9	O RING 35 LF1000
085	253197-6	FLAT WASHER 10 HR3210FCT
85	253197-6	FLAT WASHER 10 HR3210FCT
86	931302-2	HEX NUT M6 HR4011C/3210FCT
086	931302-2	HEX NUT M6 HR4011C/3210FCT
087	921342-8	HEX BOLT M6X25 2704-LF1000
87	921342-8	HEX BOLT M6X25 2704-LF1000
088	257746-1	SLEEVE 5 LF1000
88	257746-1	SLEEVE 5 LF1000
89	922231-0	HEX SOCKET HEAD BOLT M5X20
90	266085-8	HEX SOCKET SET SCREW M6X10
090	266085-8	HEX SOCKET SET SCREW M6X10
091	317887-6	SUB ARM LF1000
91	317887-6	SUB ARM LF1000
092	266377-5	BOLT M10 LF1000
92	266377-5	BOLT M10 LF1000
093	912112-6	COUNTERSUNK LID SCREW M4X10
93	912112-6	COUNTERSUNK LID SCREW M4X10
094	231836-8	TENSION SPRING 4 LF1000
94	231836-8	TENSION SPRING 4 LF1000
95	453711-0	ZAAGBESCHERMKAP LF1000 A
96	210043-6	BALL BEARING 608LLB SA7000
097	961055-9	RETAINING RING S-15 2107FK
97	961055-9	RETAINING RING S-15 2107FK
098	226600-0	HELICAL GEAR 46 LF1000
98	226600-0	HELICAL GEAR 46 LF1000
099	254202-2	KEY 4 2107FK-LF1000
99	254202-2	KEY 4 2107FK-LF1000
100	257266-5	RING 15 LF1000
100	257266-5	RING 15 LF1000
101	213623-7	O RING 46 LF1000
101	213623-7	O RING 46 LF1000
102	285808-5	BEARING RETAINER 25-36 LF1000
103	211206-7	KOGELLAGER 6202LLB LS1040 P
103	211228-7	BALL BEARING 6202DDW SA7000

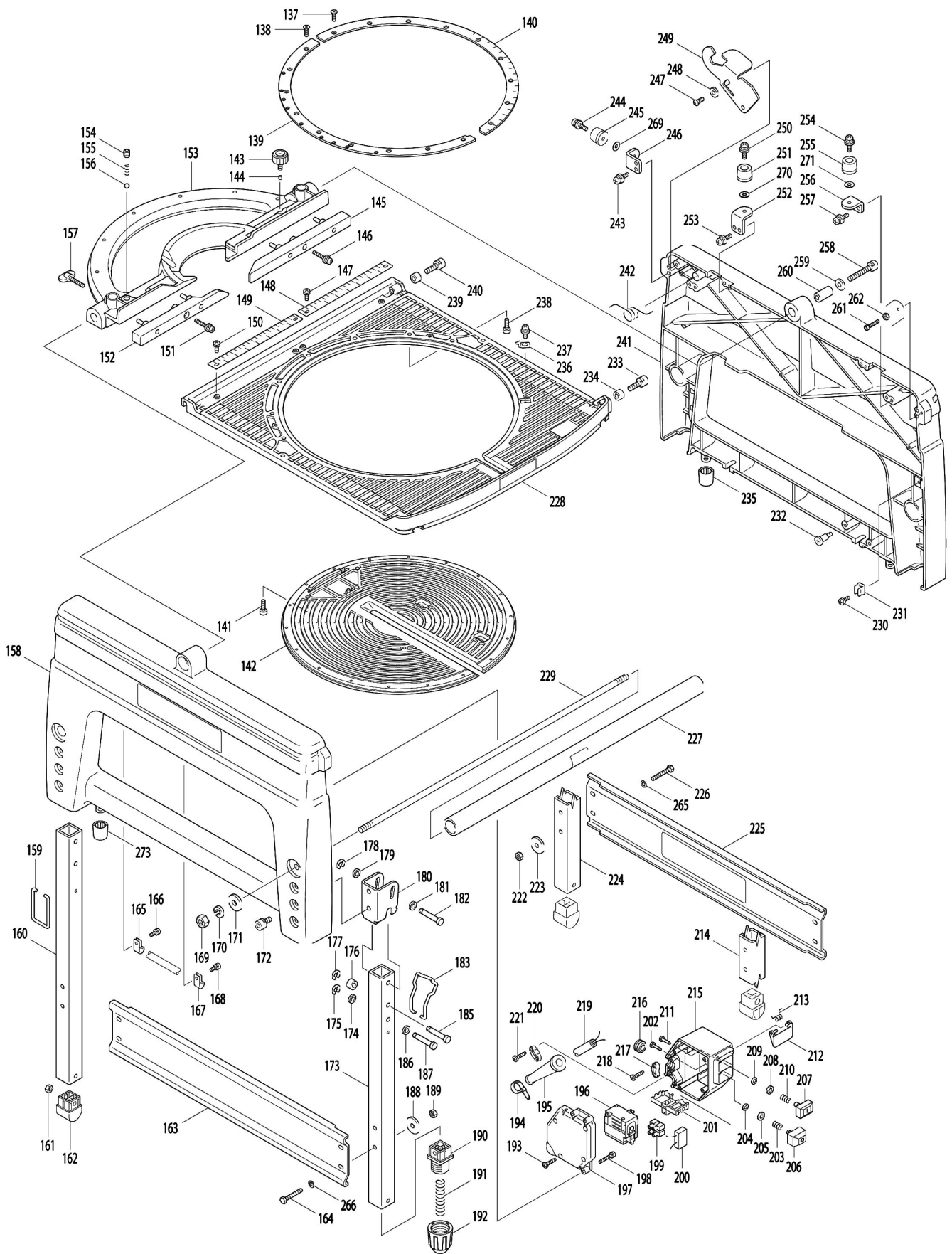
Nr.	Part nr.	Name
104	317888-4	BEARING BOX LF1000
104	317888-4	BEARING BOX LF1000
105	912221-1	
105	912222-9	SCREW M5X16 LF1000
106	961201-4	RETAINING RING S-42 LF1000
106	961201-4	RETAINING RING S-42 LF1000
107	224333-1	FLANGE 53 LS1013-LS1040-LF1000
107	224333-1	FLANGE 53 LS1013-LS1040-LF1000
108	257295-8	
109	324543-1	SPINDLE LF1000
109	324543-1	SPINDLE LF1000
110	224400-2	OUTER FLANGE 53 LF1000
110	224400-2	OUTER FLANGE 53 LF1000
111	266762-2	INBUSBOUT M8X22MM A
112	266763-0	INBUSBOUT M8X97 LF1000 A
113	942201-3	SPRING WASHER 8 4112S-LF1000
113	942201-3	SPRING WASHER 8 4112S-LF1000
114	267312-6	FLAT WASHER 8 LF1000
116	163461-6	RIVING KNIFE LF1000
116	163461-6	RIVING KNIFE LF1000
117	331690-1	KNIFE SUPPORT LF1000
117	331690-1	KNIFE SUPPORT LF1000
118	267312-6	FLAT WASHER 8 LF1000
119	252641-0	WING NUT M8 LF1000
119	252641-0	WING NUT M8 LF1000
120	961011-9	STOPRING E-4 LF1000-HR2230
120	961011-9	STOPRING E-4 LF1000-HR2230
121	154571-0	BLADE CASE CPL LF1000
121	154571-0	BLADE CASE CPL LF1000
122	324497-2	GUARD SHAFT LH1040F-LF1000
123	345554-3	GUARD LF1000
123	345554-3	GUARD LF1000
124	345558-5	GUARD HOLDER LF1000
124	345558-5	GUARD HOLDER LF1000
125	911213-7	PAN HEAD SCREW M5X12 LF1000
125	911213-7	PAN HEAD SCREW M5X12 LF1000
126	267070-4	FLAT WASHER 10 LF1000 JR1000FT
127	231675-6	TORSION SPRING 11 LF1000
127	231675-6	TORSION SPRING 11 LF1000
128	265533-4	HEX BOLT M6 LF1000
128	265533-4	HEX BOLT M6 LF1000
129	210043-6	BALL BEARING 608LLB SA7000
130	267173-4	FLAT WASHER 6 LF1000
131	259053-8	STOPRING E-6 A
131	961012-7	STOPRING E-6 2012NB-LF1000
132	421589-9	CAP LS1013-LH1040F-LF1000

Nr.	Part nr.	Name
132	421589-9	CAP LS1013-LH1040F-LF1000
133	345552-7	LOCK LEVER LF1000
133	345552-7	LOCK LEVER LF1000
134	231297-2	COMPRESSION SPRING 9 LF1000
135	256855-3	ROD 8 LF1000
135	256855-3	ROD 8 LF1000
136	911113-1	PAN HEAD SCREW M4X10 LF1000
136	911113-1	PAN HEAD SCREW M4X10 LF1000
137	912112-6	COUNTERSUNK LID SCREW M4X10
138	912112-6	COUNTERSUNK LID SCREW M4X10
139	345541-2	SLIDE PLATE L LF1000
140	345542-0	SLIDE PLATE R LF1000
143	251815-0	SCREW M6X25 LF1000
144	268068-4	PIN 5 6796FD-LF1000
145	154578-6	
146	911258-5	SCREW M5X35 HR2800-LF1000
147	911113-1	PAN HEAD SCREW M4X10 LF1000
148	816827-6	SCALE PLATE R LF1000
149	816826-8	SCALE PLATE L LF1000
150	911113-1	PAN HEAD SCREW M4X10 LF1000
151	911258-5	SCREW M5X35 HR2800-LF1000
152	154577-8	
156	216004-4	STEEL BALL 7.9 LF1000
157	265710-8	THUMB SCREW M6X33 LF1000
159	345547-0	HOOK LF1000
160	331687-0	SQUARE PIPE 32-510 LF1000
161	931302-2	HEX NUT M6 HR4011C/3210FCT
162	418927-4	FOOT LF1000
163	154592-2	SUPPORT BRACKET CPL LF1000
164	921367-2	HEX BOLT M6X45 LF1000
165	687049-3	STRAIN RELIEF LF1000-2704
166	911113-1	PAN HEAD SCREW M4X10 LF1000
167	687049-3	STRAIN RELIEF LF1000-2704
168	911113-1	PAN HEAD SCREW M4X10 LF1000
169	931502-4	HEX NUT M10 7104L-2704
170	942251-8	SPRING WASHER 10 LF1000
172	265553-8	INBUSBOUT M8X20MM LF1000 A
173	331686-2	SQUARE PIPE 32-475 LF1000
175	961012-7	STOPRING E-6 2012NB-LF1000
176	257749-5	SLEEVE 8 LF1000
177	961012-7	STOPRING E-6 2012NB-LF1000
178	961012-7	STOPRING E-6 2012NB-LF1000
180	345543-8	BRACKET LF1000
182	268127-4	PIN 8 LF1000
183	345548-8	STOPPER HOOK LF1000
185	268127-4	PIN 8 LF1000

Nr.	Part nr.	Name
187	268141-0	PIN 8 LF1000
189	931302-2	HEX NUT M6 HR4011C/3210FCT
190	418925-8	FOOT BOLT LF1000
192	418926-6	FOOT NUT LF1000
193	265995-6	TAPPING SCREW 4X18 JR3050-60T
194	687209-7	BAND LF1000
195	682540-6	CORD GUARD 10 LF1000-UC3020A
196	652772-9	RELAY LH1040F-LF1000-2704
197	418924-0	SWITCH BOX COVER LF1000
198	911148-2	SCHROEF 4X25 A
199	654561-8	TERMINAL BLOCK 2012NB-LH1040F
200	645206-9	NOISE SUPPRESSOR LF1000
201	686035-1	RECEPTACLE SLEEVE LF1000
202	418618-7	PIN LH1040F-LF1000-2704
204	443103-1	FELT RING 6 LH1040F-LF1000
206	418617-9	SWITCH BUTTON OFF LH1040F-2704
207	418616-1	SWITCH BUTTON ON LH1040F-2704
209	443103-1	FELT RING 6 LH1040F-LF1000
211	418618-7	PIN LH1040F-LF1000-2704
212	418929-0	SWITCH COVER LF1000
213	231682-9	TORSION SPRING 5 LF1000
214	331686-2	SQUARE PIPE 32-475 LF1000
215	418923-2	SWITCH BOX LF1000
216	682511-3	GROMMET LF1000-2704
218	265995-6	TAPPING SCREW 4X18 JR3050-60T
219	665865-3	NETSNOER 2X1.50 2.5MTR P
221	265995-6	TAPPING SCREW 4X18 JR3050-60T
222	931302-2	HEX NUT M6 HR4011C/3210FCT
224	331686-2	SQUARE PIPE 32-475 LF1000
225	345546-2	SUPPORT BRACKET LF1000
226	921367-2	HEX BOLT M6X45 LF1000
227	154593-0	PIPE 32 CPL LF1000
228	154572-8	TABLE CPL LF1000
229	266360-2	SCREW M10 LF1000
230	911113-1	PAN HEAD SCREW M4X10 LF1000
234	257749-5	SLEEVE 8 LF1000
235	418931-3	CAP LF1000
237	911108-4	SCREW M4X8 2012NB-LF1000-2704
239	257749-5	SLEEVE 8 LF1000
242	231680-3	TORSION SPRING 17 LF1000
243	911333-7	SCREW M6X20 2414(N)B-RP1110C
244	911333-7	SCREW M6X20 2414(N)B-RP1110C
245	421906-3	CUSHION LF1000
246	345550-1	STOPPER BRACKET R LF1000
247	265984-1	HSH BOLT M6 LF1000
249	345551-9	LEVER LF1000

Nr.	Part nr.	Name
250	911333-7	SCREW M6X20 2414(N)B-RP1110C
251	421906-3	CUSHION LF1000
252	345550-1	STOPPER BRACKET R LF1000
253	911333-7	SCREW M6X20 2414(N)B-RP1110C
254	911333-7	SCREW M6X20 2414(N)B-RP1110C
255	421906-3	CUSHION LF1000
256	345549-6	STOPPER BRACKET F LF1000
257	911333-7	SCREW M6X20 2414(N)B-RP1110C
260	257751-8	SLEEVE 8 LF1000
263	182955-2	
264	240003-4	FAN 80 2702/2704-2012NB-TW1000
264	240003-4	FAN 80 2702/2704-2012NB-TW1000
265	941152-7	FLAT WASHER 6 2107FK-LF1000
266	941152-7	FLAT WASHER 6 2107FK-LF1000
267	216413-7	THRUST NEEDLE BEARING 1024
267	216413-7	THRUST NEEDLE BEARING 1024
268	253024-7	FLAT WASHER 10 LS1013-LH1040F
268	253024-7	FLAT WASHER 10 LS1013-LH1040F
273	418931-3	CAP LF1000
003-1	687149-9	STRAIN RELIEF VC3210L
011-1	233483-1	
016-1	188063-7	HANDLE SET LF1000
020-1	631947-3	CONTROLLER LF1000
024-1	643650-4	BRUSH HOLDER CAP 6.5-13.5 2704
034-1	267320-7	
036-1	233467-9	
040-2	231266-3	COMPRESSION SPRING 5 LF1000
042-1	264005-6	MOER M10-17 A
046-1	265551-2	
047-1	267325-7	
049-1	141540-0	VERBINDINGSPLAAT LF1000 A
051-1	267323-1	SLUITRING 16 A
052-1	141133-3	ARM COMPLEET LF1000 A
062-1	216030-3	
065-1	267313-4	
066-1	265552-0	
073-1	267326-5	
076-1	233466-1	
083-1	419277-0	
089-1	265550-4	
095-1	453711-0	ZAAGBESCHERMKAP LF1000 A
096-1	210043-6	BALL BEARING 608LLB SA7000
102-1	285846-7	
108-1	257295-8	
111-1	266762-2	INBUSBOUT M8X22MM A
112-1	266763-0	INBUSBOUT M8X97 LF1000 A

Nr.	Part nr.	Name
114-1	267312-6	FLAT WASHER 8 LF1000
118-1	267312-6	FLAT WASHER 8 LF1000
122-1	324664-9	
126-1	267327-3	
129-1	210043-6	BALL BEARING 608LLB SA7000
130-1	267313-4	
134-1	233467-9	
141-1	265551-2	
142-1	141631-7	DRAAISCHIJF LF1000 A
153-2	142820-7	GUIDE FENCE COMPLETE
154-1	266392-9	ZESKANTBOUT M10X12 A
155-1	233466-1	
158-1	188862-7	FRAME SET LF1000
171-1	267328-1	
172-1	265553-8	INBUSBOUT M8X20MM LF1000 A
174-1	267321-5	
179-1	267321-5	
181-1	267321-5	
186-1	267321-5	
188-1	267312-6	FLAT WASHER 8 LF1000
191-1	233468-7	
203-1	233464-5	
205-1	267322-3	
208-1	267322-3	
210-1	233464-5	
217-1	687149-9	STRAIN RELIEF VC3210L
220-1	687124-5	STRAIN RELIEF MT953-HP1631
223-1	267312-6	FLAT WASHER 8 LF1000
231-1	410047-0	
232-1	266391-1	SCHROEF M6 LC1230 A
233-1	265554-6	
236-1	816856-9	
238-1	265551-2	
240-1	265554-6	
241-1	188862-7	FRAME SET LF1000
248-1	267326-5	
258-1	265555-4	
259-1	267399-8	SLUITRING 8X3MM LF1000 A
261-1	265549-9	
262-1	931102-0	HEX NUT M4 2704-AF500
263-1	188063-7	HANDLE SET LF1000
269-1	267319-2	
271-1	267319-2	



Nr.	Part nr.	Name
001	265999-8	TAPPING SCREW FLANGE 4X25 6827
1	265999-8	TAPPING SCREW FLANGE 4X25 6827
002	265995-6	TAPPING SCREW 4X18 JR3050-60T
2	265995-6	TAPPING SCREW 4X18 JR3050-60T
2	265995-6	TAPPING SCREW 4X18 JR3050-60T
3	687054-0	STRAIN RELIEF LF1000-2704
004	662971-5	NETSNOER 1X6x1,56
4	662971-5	NETSNOER 1X6x1,56
005	682506-6	CORD GUARD 12-90 LF1000
5	682506-6	CORD GUARD 12-90 LF1000
006	688140-0	LINE FILTER LF1000
6	688140-0	LINE FILTER LF1000
007	687010-0	BAND JS-JN3200-46 LF1000
7	687010-0	BAND JS-JN3200-46 LF1000
008	645006-7	NOISE SUPPRESSOR 2107FK-LF1000
8	645006-7	NOISE SUPPRESSOR 2107FK-LF1000
9	265995-6	TAPPING SCREW 4X18 JR3050-60T
009	265995-6	TAPPING SCREW 4X18 JR3050-60T
010	416356-5	LOCK-OFF LEVER LF1000
10	416356-5	LOCK-OFF LEVER LF1000
11	231026-3	COMPRESSION SPRING 4 LS0714FL
012	416404-0	SWITCH BUTTON LF1000
12	416404-0	SWITCH BUTTON LF1000
013	651923-1	SWITCH 5903R-LF1000
13	651923-1	SWITCH 5903R-LF1000
014	651941-9	SWITCH LF1000
14	651941-9	SWITCH LF1000
015	416357-3	SWITCH LEVER LF1000
15	416357-3	SWITCH LEVER LF1000
16	188063-7	HANDLE SET LF1000
017	265995-6	TAPPING SCREW 4X18 JR3050-60T
17	265995-6	TAPPING SCREW 4X18 JR3050-60T
018	861365-3	NAAMPLAAT LF1000
18	861365-3	NAAMPLAAT LF1000
18	861365-3	NAAMPLAAT LF1000
019	911383-2	SCREW M6X60 LF1000-2704
19	911383-2	SCREW M6X60 LF1000-2704
20	631947-3	CONTROLLER LF1000
21	265995-6	TAPPING SCREW 4X18 JR3050-60T
021	265995-6	TAPPING SCREW 4X18 JR3050-60T
022	416362-0	REAR COVER LF1000
22	416362-0	REAR COVER LF1000
023	265995-6	TAPPING SCREW 4X18 JR3050-60T
23	265995-6	TAPPING SCREW 4X18 JR3050-60T
24	643650-4	BRUSH HOLDER CAP 6.5-13.5 2704
025	181044-0	CARBON BRUSH CB-153

Nr.	Part nr.	Name
25	181044-0	CARBON BRUSH CB-153
026	154569-7	MOTOR HOUSING CPL LF1000
26	154569-7	MOTOR HOUSING CPL LF1000
027	596273-6	FIELD 220-240V LF1000
27	596273-6	FIELD 220-240V LF1000
028	266044-2	TAPPING SCREW FLANGE PT5X60
28	266110-5	TAPSCHROEF PF 5X60 P
029	416361-2	BAFFLE PLATE LF1000
29	416361-2	BAFFLE PLATE LF1000
030	211061-7	KOGELLAGER 6000LLB A
30	211061-7	KOGELLAGER 6000LLB A
031	681642-5	INSULATION WASHER LF1000
31	681642-5	INSULATION WASHER LF1000
032	516748-9	ARMATURE ASSY 220-240V LF1000
32	516748-9	ARMATURE ASSY 220-240V LF1000
033	345574-7	SHAFT LOCK LF1000
33	345574-7	SHAFT LOCK LF1000
34	253147-1	FLAT WASHER 15 LF1000-2704
035	211206-7	KOGELLAGER 6202LLB LS1040 P
35	211228-7	BALL BEARING 6202DDW SA7000
36	231297-2	COMPRESSION SPRING 9 LF1000
037	911113-1	PAN HEAD SCREW M4X10 LF1000
37	911113-1	PAN HEAD SCREW M4X10 LF1000
038	416006-2	LEVER 100 LF1000
38	416006-2	LEVER 100 LF1000
039	252192-3	HEX NUT M10-17 LF1000
39	252192-3	HEX NUT M10-17 LF1000
40	231266-3	COMPRESSION SPRING 5 LF1000
041	331691-9	SPACER LF1000
41	331691-9	SPACER LF1000
42	264005-6	MOER M10-17 A
043	253197-6	FLAT WASHER 10 HR3210FCT
43	253197-6	FLAT WASHER 10 HR3210FCT
044	911113-1	PAN HEAD SCREW M4X10 LF1000
44	911113-1	PAN HEAD SCREW M4X10 LF1000
045	816825-0	INDICATION PLATE
45	816825-0	INDICATION PLATE
46	922332-4	HEX SOCKET HEAD BOLT M6X20
47	253804-1	FLAT WASHER 6 BST221
048	257270-4	RING 6 LF1000
48	257270-4	RING 6 LF1000
49	141540-0	VERBINDINGSPLAAT LF1000 A
050	265532-6	HEX BOLT M10 LF1000
50	265532-6	HEX BOLT M10 LF1000
51	267323-1	SLUITRING 16 A
52	141133-3	ARM COMPLEET LF1000 A

Nr.	Part nr.	Name
053	231681-1	TORSION SPRING 34 LF1000
53	231681-1	TORSION SPRING 34 LF1000
054	416358-1	SLEEVE 17 LF1000
54	416358-1	SLEEVE 17 LF1000
54	416358-1	SLEEVE 17 LF1000
055	256488-4	PIN 7 LF1000
55	256488-4	PIN 7 LF1000
056	233429-7	COMPRESSION SPRING 7 LF1000
56	233429-7	COMPRESSION SPRING 7 LF1000
057	271601-3	KNOB 20 LH1040F-LF1000
57	271601-3	KNOB 20 LH1040F-LF1000
058	951063-8	SPRING PIN 3-16 LF1000
58	951063-8	SPRING PIN 3-16 LF1000
059	687049-3	STRAIN RELIEF LF1000-2704
59	687049-3	STRAIN RELIEF LF1000-2704
060	911113-1	PAN HEAD SCREW M4X10 LF1000
60	911113-1	PAN HEAD SCREW M4X10 LF1000
061	271319-6	KNOB 40 LF1000
61	271319-6	KNOB 40 LF1000
62	216013-3	STEEL BALL 6 LF1000
063	257750-0	SLEEVE 13 LF1000
63	257750-0	SLEEVE 13 LF1000
064	257748-7	SLEEVE 6 LF1000
64	257748-7	SLEEVE 6 LF1000
65	267173-4	FLAT WASHER 6 LF1000
66	922351-0	ZESKANTBOUT M6X30
067	331689-6	ADJUST NUT LF1000
67	331689-6	ADJUST NUT LF1000
068	922557-0	HSH BOLT M10X35 LF1000
68	922557-0	HSH BOLT M10X35 LF1000
069	942251-8	SPRING WASHER 10 LF1000
69	942251-8	SPRING WASHER 10 LF1000
070	941252-3	FLAT WASHER 10 LF1000
70	941252-3	FLAT WASHER 10 LF1000
071	257747-9	SLEEVE 10 LF1000
71	257747-9	SLEEVE 10 LF1000
072	265984-1	HSH BOLT M6 LF1000
73	253823-7	FLAT WASHER 7 LF1000-BHR202
074	345553-5	STOPPER PLATE LF1000
74	345553-5	STOPPER PLATE LF1000
075	216004-4	STEEL BALL 7.9 LF1000
75	216004-4	STEEL BALL 7.9 LF1000
76	231038-6	COMPRESSION SPRING 6 LF1000
077	911113-1	PAN HEAD SCREW M4X10 LF1000
77	911113-1	PAN HEAD SCREW M4X10 LF1000
078	266085-8	HEX SOCKET SET SCREW M6X10

Nr.	Part nr.	Name
78	266085-8	HEX SOCKET SET SCREW M6X10
079	931502-4	HEX NUT M10 7104L-2704
79	931502-4	HEX NUT M10 7104L-2704
080	942251-8	SPRING WASHER 10 LF1000
80	942251-8	SPRING WASHER 10 LF1000
081	941252-3	FLAT WASHER 10 LF1000
81	941252-3	FLAT WASHER 10 LF1000
082	317889-2	CONNECTING ROD LF1000
82	317889-2	CONNECTING ROD LF1000
83	419277-0	
084	213460-9	O RING 35 LF1000
84	213460-9	O RING 35 LF1000
085	253197-6	FLAT WASHER 10 HR3210FCT
85	253197-6	FLAT WASHER 10 HR3210FCT
86	931302-2	HEX NUT M6 HR4011C/3210FCT
086	931302-2	HEX NUT M6 HR4011C/3210FCT
087	921342-8	HEX BOLT M6X25 2704-LF1000
87	921342-8	HEX BOLT M6X25 2704-LF1000
088	257746-1	SLEEVE 5 LF1000
88	257746-1	SLEEVE 5 LF1000
89	922231-0	HEX SOCKET HEAD BOLT M5X20
90	266085-8	HEX SOCKET SET SCREW M6X10
090	266085-8	HEX SOCKET SET SCREW M6X10
091	317887-6	SUB ARM LF1000
91	317887-6	SUB ARM LF1000
092	266377-5	BOLT M10 LF1000
92	266377-5	BOLT M10 LF1000
093	912112-6	COUNTERSUNK LID SCREW M4X10
93	912112-6	COUNTERSUNK LID SCREW M4X10
094	231836-8	TENSION SPRING 4 LF1000
94	231836-8	TENSION SPRING 4 LF1000
95	453711-0	ZAAGBESCHERMKAP LF1000 A
96	210043-6	BALL BEARING 608LLB SA7000
097	961055-9	RETAINING RING S-15 2107FK
97	961055-9	RETAINING RING S-15 2107FK
098	226600-0	HELICAL GEAR 46 LF1000
98	226600-0	HELICAL GEAR 46 LF1000
099	254202-2	KEY 4 2107FK-LF1000
99	254202-2	KEY 4 2107FK-LF1000
100	257266-5	RING 15 LF1000
100	257266-5	RING 15 LF1000
101	213623-7	O RING 46 LF1000
101	213623-7	O RING 46 LF1000
102	285808-5	BEARING RETAINER 25-36 LF1000
103	211206-7	KOGELLAGER 6202LLB LS1040 P
103	211228-7	BALL BEARING 6202DDW SA7000

Nr.	Part nr.	Name
104	317888-4	BEARING BOX LF1000
104	317888-4	BEARING BOX LF1000
105	912221-1	
105	912222-9	SCREW M5X16 LF1000
106	961201-4	RETAINING RING S-42 LF1000
106	961201-4	RETAINING RING S-42 LF1000
107	224333-1	FLANGE 53 LS1013-LS1040-LF1000
107	224333-1	FLANGE 53 LS1013-LS1040-LF1000
108	257295-8	
109	324543-1	SPINDLE LF1000
109	324543-1	SPINDLE LF1000
110	224400-2	OUTER FLANGE 53 LF1000
110	224400-2	OUTER FLANGE 53 LF1000
111	266762-2	INBUSBOUT M8X22MM A
112	266763-0	INBUSBOUT M8X97 LF1000 A
113	942201-3	SPRING WASHER 8 4112S-LF1000
113	942201-3	SPRING WASHER 8 4112S-LF1000
114	267312-6	FLAT WASHER 8 LF1000
116	163461-6	RIVING KNIFE LF1000
116	163461-6	RIVING KNIFE LF1000
117	331690-1	KNIFE SUPPORT LF1000
117	331690-1	KNIFE SUPPORT LF1000
118	267312-6	FLAT WASHER 8 LF1000
119	252641-0	WING NUT M8 LF1000
119	252641-0	WING NUT M8 LF1000
120	961011-9	STOPRING E-4 LF1000-HR2230
120	961011-9	STOPRING E-4 LF1000-HR2230
121	154571-0	BLADE CASE CPL LF1000
121	154571-0	BLADE CASE CPL LF1000
122	324497-2	GUARD SHAFT LH1040F-LF1000
123	345554-3	GUARD LF1000
123	345554-3	GUARD LF1000
124	345558-5	GUARD HOLDER LF1000
124	345558-5	GUARD HOLDER LF1000
125	911213-7	PAN HEAD SCREW M5X12 LF1000
125	911213-7	PAN HEAD SCREW M5X12 LF1000
126	267070-4	FLAT WASHER 10 LF1000 JR1000FT
127	231675-6	TORSION SPRING 11 LF1000
127	231675-6	TORSION SPRING 11 LF1000
128	265533-4	HEX BOLT M6 LF1000
128	265533-4	HEX BOLT M6 LF1000
129	210043-6	BALL BEARING 608LLB SA7000
130	267173-4	FLAT WASHER 6 LF1000
131	259053-8	STOPRING E-6 A
131	961012-7	STOPRING E-6 2012NB-LF1000
132	421589-9	CAP LS1013-LH1040F-LF1000

Nr.	Part nr.	Name
132	421589-9	CAP LS1013-LH1040F-LF1000
133	345552-7	LOCK LEVER LF1000
133	345552-7	LOCK LEVER LF1000
134	231297-2	COMPRESSION SPRING 9 LF1000
135	256855-3	ROD 8 LF1000
135	256855-3	ROD 8 LF1000
136	911113-1	PAN HEAD SCREW M4X10 LF1000
136	911113-1	PAN HEAD SCREW M4X10 LF1000
137	912112-6	COUNTERSUNK LID SCREW M4X10
138	912112-6	COUNTERSUNK LID SCREW M4X10
139	345541-2	SLIDE PLATE L LF1000
140	345542-0	SLIDE PLATE R LF1000
143	251815-0	SCREW M6X25 LF1000
144	268068-4	PIN 5 6796FD-LF1000
145	154578-6	
146	911258-5	SCREW M5X35 HR2800-LF1000
147	911113-1	PAN HEAD SCREW M4X10 LF1000
148	816827-6	SCALE PLATE R LF1000
149	816826-8	SCALE PLATE L LF1000
150	911113-1	PAN HEAD SCREW M4X10 LF1000
151	911258-5	SCREW M5X35 HR2800-LF1000
152	154577-8	
156	216004-4	STEEL BALL 7.9 LF1000
157	265710-8	THUMB SCREW M6X33 LF1000
159	345547-0	HOOK LF1000
160	331687-0	SQUARE PIPE 32-510 LF1000
161	931302-2	HEX NUT M6 HR4011C/3210FCT
162	418927-4	FOOT LF1000
163	154592-2	SUPPORT BRACKET CPL LF1000
164	921367-2	HEX BOLT M6X45 LF1000
165	687049-3	STRAIN RELIEF LF1000-2704
166	911113-1	PAN HEAD SCREW M4X10 LF1000
167	687049-3	STRAIN RELIEF LF1000-2704
168	911113-1	PAN HEAD SCREW M4X10 LF1000
169	931502-4	HEX NUT M10 7104L-2704
170	942251-8	SPRING WASHER 10 LF1000
172	265553-8	INBUSBOUT M8X20MM LF1000 A
173	331686-2	SQUARE PIPE 32-475 LF1000
175	961012-7	STOPRING E-6 2012NB-LF1000
176	257749-5	SLEEVE 8 LF1000
177	961012-7	STOPRING E-6 2012NB-LF1000
178	961012-7	STOPRING E-6 2012NB-LF1000
180	345543-8	BRACKET LF1000
182	268127-4	PIN 8 LF1000
183	345548-8	STOPPER HOOK LF1000
185	268127-4	PIN 8 LF1000

Nr.	Part nr.	Name
187	268141-0	PIN 8 LF1000
189	931302-2	HEX NUT M6 HR4011C/3210FCT
190	418925-8	FOOT BOLT LF1000
192	418926-6	FOOT NUT LF1000
193	265995-6	TAPPING SCREW 4X18 JR3050-60T
194	687209-7	BAND LF1000
195	682540-6	CORD GUARD 10 LF1000-UC3020A
196	652772-9	RELAY LH1040F-LF1000-2704
197	418924-0	SWITCH BOX COVER LF1000
198	911148-2	SCHROEF 4X25 A
199	654561-8	TERMINAL BLOCK 2012NB-LH1040F
200	645206-9	NOISE SUPPRESSOR LF1000
201	686035-1	RECEPTACLE SLEEVE LF1000
202	418618-7	PIN LH1040F-LF1000-2704
204	443103-1	FELT RING 6 LH1040F-LF1000
206	418617-9	SWITCH BUTTON OFF LH1040F-2704
207	418616-1	SWITCH BUTTON ON LH1040F-2704
209	443103-1	FELT RING 6 LH1040F-LF1000
211	418618-7	PIN LH1040F-LF1000-2704
212	418929-0	SWITCH COVER LF1000
213	231682-9	TORSION SPRING 5 LF1000
214	331686-2	SQUARE PIPE 32-475 LF1000
215	418923-2	SWITCH BOX LF1000
216	682511-3	GROMMET LF1000-2704
218	265995-6	TAPPING SCREW 4X18 JR3050-60T
219	665865-3	NETSNOER 2X1.50 2.5MTR P
221	265995-6	TAPPING SCREW 4X18 JR3050-60T
222	931302-2	HEX NUT M6 HR4011C/3210FCT
224	331686-2	SQUARE PIPE 32-475 LF1000
225	345546-2	SUPPORT BRACKET LF1000
226	921367-2	HEX BOLT M6X45 LF1000
227	154593-0	PIPE 32 CPL LF1000
228	154572-8	TABLE CPL LF1000
229	266360-2	SCREW M10 LF1000
230	911113-1	PAN HEAD SCREW M4X10 LF1000
234	257749-5	SLEEVE 8 LF1000
235	418931-3	CAP LF1000
237	911108-4	SCREW M4X8 2012NB-LF1000-2704
239	257749-5	SLEEVE 8 LF1000
242	231680-3	TORSION SPRING 17 LF1000
243	911333-7	SCREW M6X20 2414(N)B-RP1110C
244	911333-7	SCREW M6X20 2414(N)B-RP1110C
245	421906-3	CUSHION LF1000
246	345550-1	STOPPER BRACKET R LF1000
247	265984-1	HSH BOLT M6 LF1000
249	345551-9	LEVER LF1000

Nr.	Part nr.	Name
250	911333-7	SCREW M6X20 2414(N)B-RP1110C
251	421906-3	CUSHION LF1000
252	345550-1	STOPPER BRACKET R LF1000
253	911333-7	SCREW M6X20 2414(N)B-RP1110C
254	911333-7	SCREW M6X20 2414(N)B-RP1110C
255	421906-3	CUSHION LF1000
256	345549-6	STOPPER BRACKET F LF1000
257	911333-7	SCREW M6X20 2414(N)B-RP1110C
260	257751-8	SLEEVE 8 LF1000
263	182955-2	
264	240003-4	FAN 80 2702/2704-2012NB-TW1000
264	240003-4	FAN 80 2702/2704-2012NB-TW1000
265	941152-7	FLAT WASHER 6 2107FK-LF1000
266	941152-7	FLAT WASHER 6 2107FK-LF1000
267	216413-7	THRUST NEEDLE BEARING 1024
267	216413-7	THRUST NEEDLE BEARING 1024
268	253024-7	FLAT WASHER 10 LS1013-LH1040F
268	253024-7	FLAT WASHER 10 LS1013-LH1040F
273	418931-3	CAP LF1000
003-1	687149-9	STRAIN RELIEF VC3210L
011-1	233483-1	
016-1	188063-7	HANDLE SET LF1000
020-1	631947-3	CONTROLLER LF1000
024-1	643650-4	BRUSH HOLDER CAP 6.5-13.5 2704
034-1	267320-7	
036-1	233467-9	
040-2	231266-3	COMPRESSION SPRING 5 LF1000
042-1	264005-6	MOER M10-17 A
046-1	265551-2	
047-1	267325-7	
049-1	141540-0	VERBINDINGSPLAAT LF1000 A
051-1	267323-1	SLUITRING 16 A
052-1	141133-3	ARM COMPLEET LF1000 A
062-1	216030-3	
065-1	267313-4	
066-1	265552-0	
073-1	267326-5	
076-1	233466-1	
083-1	419277-0	
089-1	265550-4	
095-1	453711-0	ZAAGBESCHERMKAP LF1000 A
096-1	210043-6	BALL BEARING 608LLB SA7000
102-1	285846-7	
108-1	257295-8	
111-1	266762-2	INBUSBOUT M8X22MM A
112-1	266763-0	INBUSBOUT M8X97 LF1000 A

Nr.	Part nr.	Name
114-1	267312-6	FLAT WASHER 8 LF1000
118-1	267312-6	FLAT WASHER 8 LF1000
122-1	324664-9	
126-1	267327-3	
129-1	210043-6	BALL BEARING 608LLB SA7000
130-1	267313-4	
134-1	233467-9	
141-1	265551-2	
142-1	141631-7	DRAAISCHIJF LF1000 A
153-2	142820-7	GUIDE FENCE COMPLETE
154-1	266392-9	ZESKANTBOUT M10X12 A
155-1	233466-1	
158-1	188862-7	FRAME SET LF1000
171-1	267328-1	
172-1	265553-8	INBUSBOUT M8X20MM LF1000 A
174-1	267321-5	
179-1	267321-5	
181-1	267321-5	
186-1	267321-5	
188-1	267312-6	FLAT WASHER 8 LF1000
191-1	233468-7	
203-1	233464-5	
205-1	267322-3	
208-1	267322-3	
210-1	233464-5	
217-1	687149-9	STRAIN RELIEF VC3210L
220-1	687124-5	STRAIN RELIEF MT953-HP1631
223-1	267312-6	FLAT WASHER 8 LF1000
231-1	410047-0	
232-1	266391-1	SCHROEF M6 LC1230 A
233-1	265554-6	
236-1	816856-9	
238-1	265551-2	
240-1	265554-6	
241-1	188862-7	FRAME SET LF1000
248-1	267326-5	
258-1	265555-4	
259-1	267399-8	SLUITRING 8X3MM LF1000 A
261-1	265549-9	
262-1	931102-0	HEX NUT M4 2704-AF500
263-1	188063-7	HANDLE SET LF1000
269-1	267319-2	
271-1	267319-2	