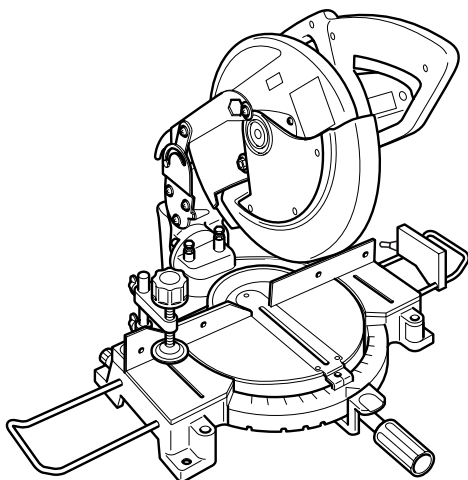
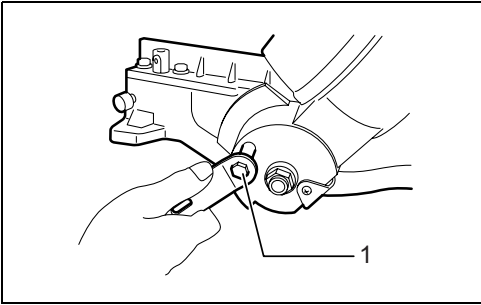


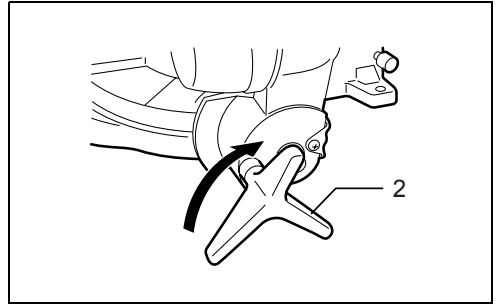
<b>GB</b>	<b>Compound Miter Saw</b>	<b>Instruction manual</b>
<b>F</b>	<b>Scie à coupe d'onglet mixte</b>	<b>Manuel d'instructions</b>
<b>D</b>	<b>Kapp- und Gehrungssäge</b>	<b>Betriebsanleitung</b>
<b>I</b>	<b>Sega circolare combinata</b>	<b>Istruzioni per l'uso</b>
<b>NL</b>	<b>Samengesteld-verstekzaag</b>	<b>Gebruiksaanwijzing</b>
<b>E</b>	<b>Sierra ingleteadora compuesta</b>	<b>Manual de instrucciones</b>
<b>P</b>	<b>Serra de esquadria combinada</b>	<b>Manual de instruções</b>
<b>DK</b>	<b>Kombineret geringssav</b>	<b>Brugsanvisning</b>
<b>GR</b>	<b>Διακοπρίοιο πάγκου</b>	<b>Οδηγίες χρήσης</b>

## MLS100

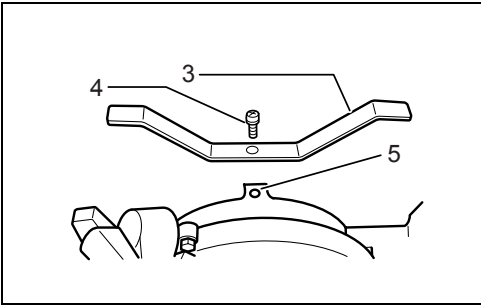




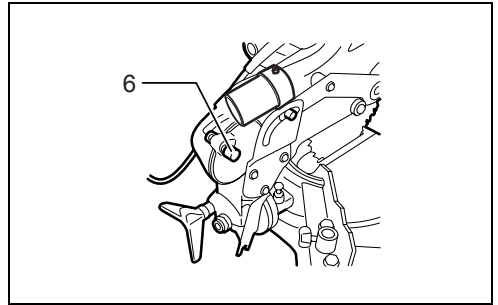
1



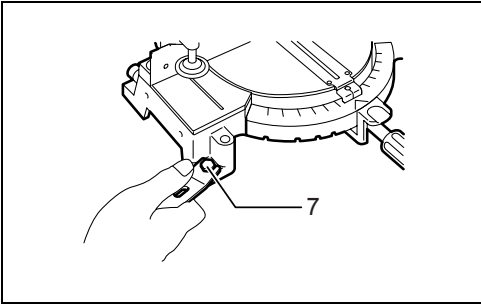
2



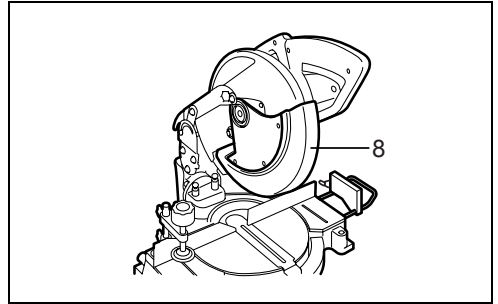
3



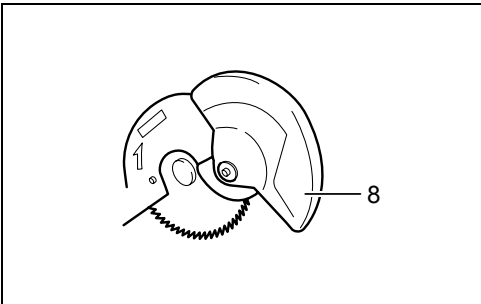
4



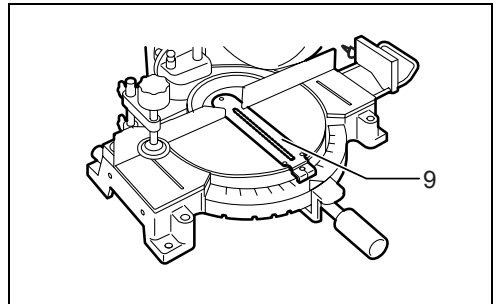
5



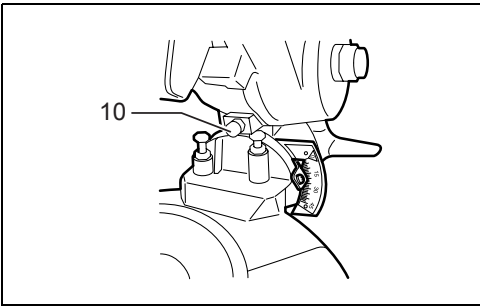
6



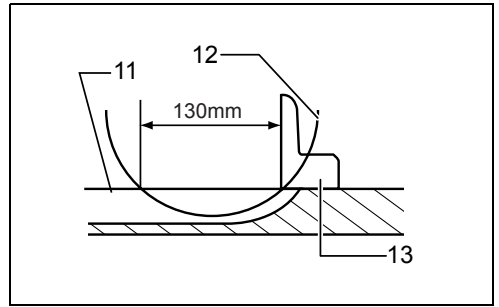
7



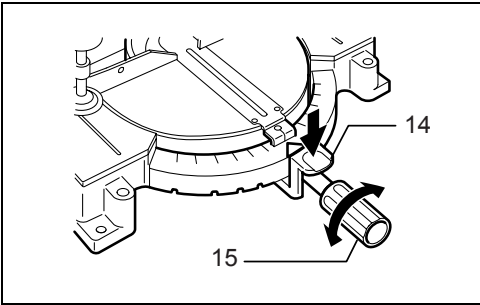
8



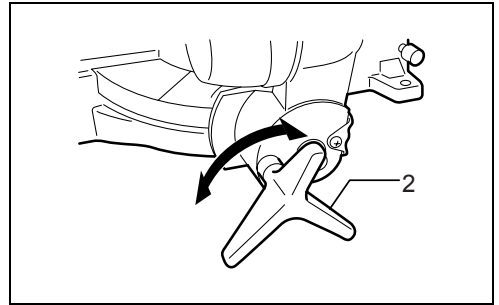
9



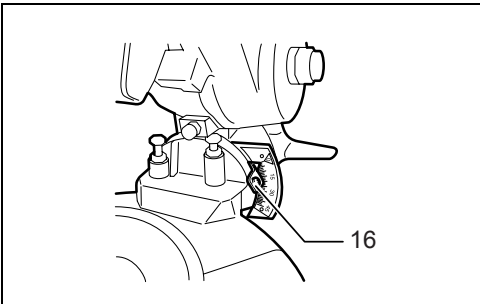
10



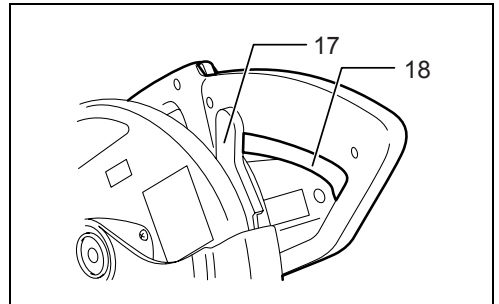
11



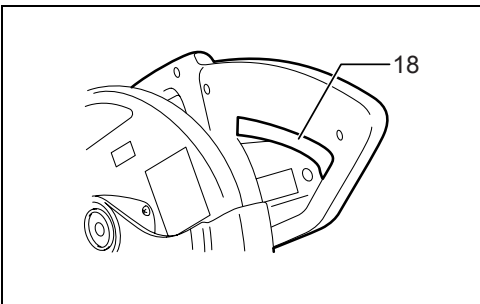
12



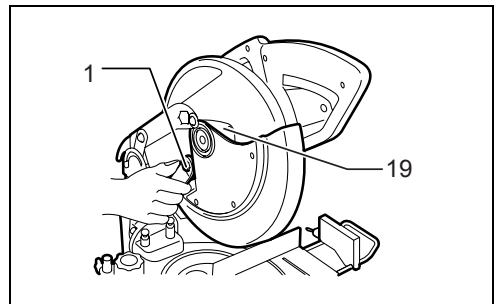
13



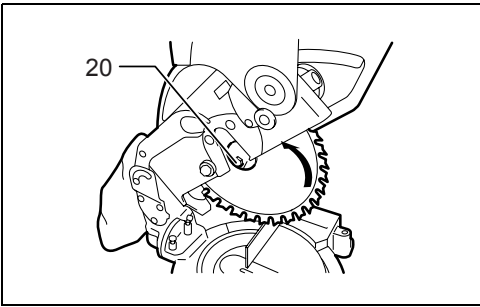
14



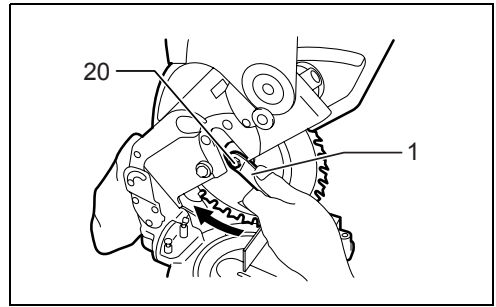
15



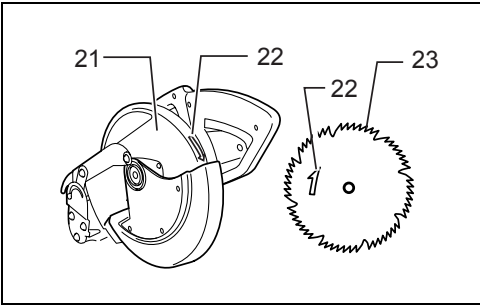
16



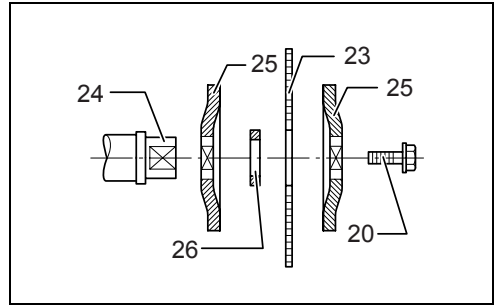
17



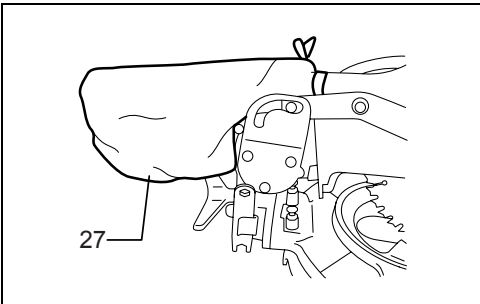
18



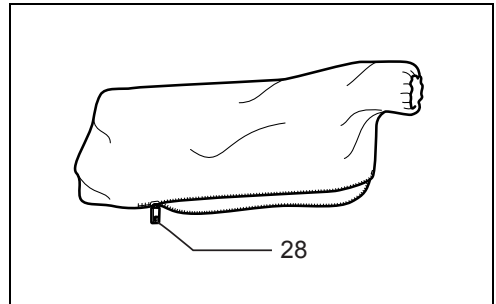
19



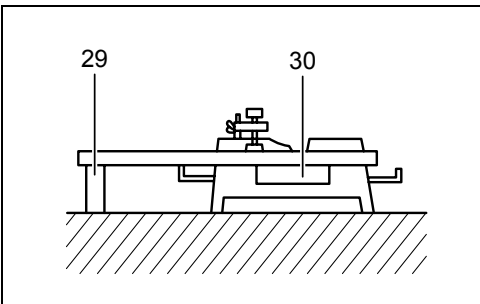
20



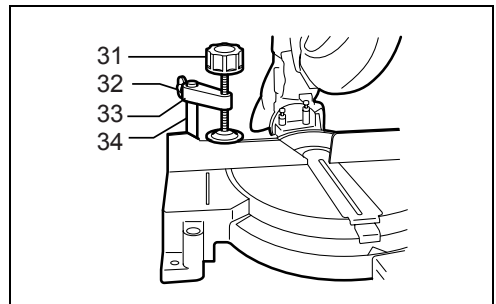
21



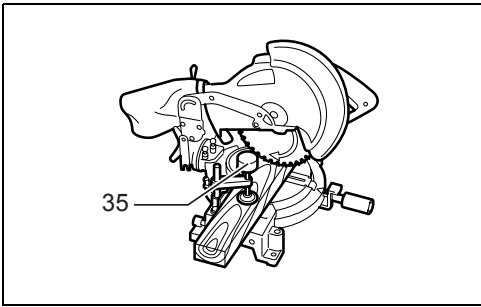
22



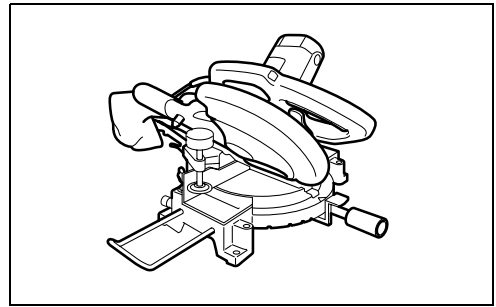
23



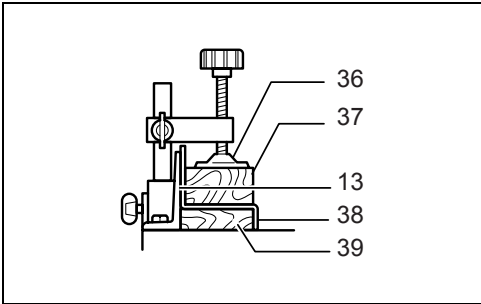
24



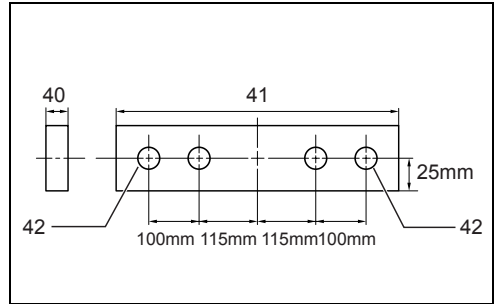
25



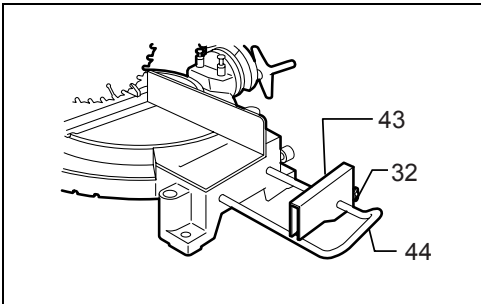
26



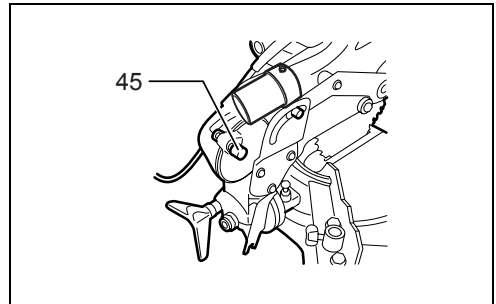
27



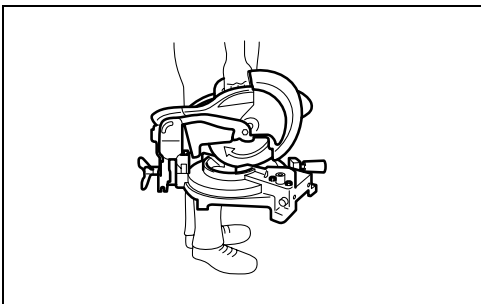
28



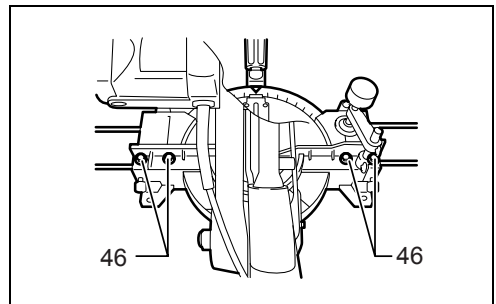
29



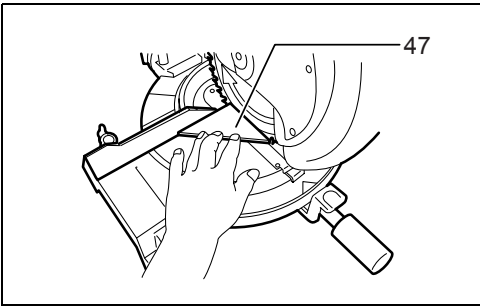
30



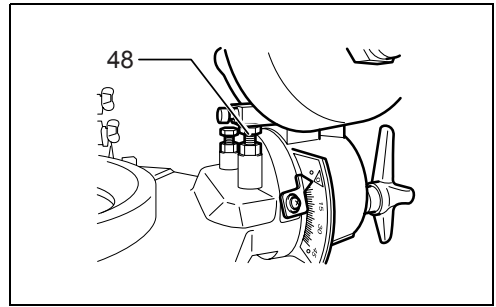
31



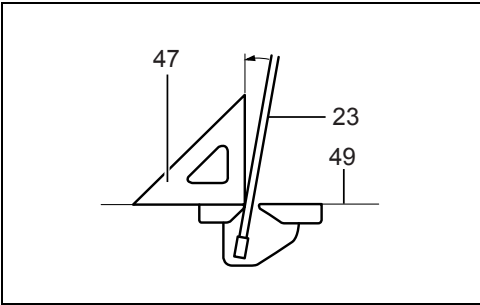
32



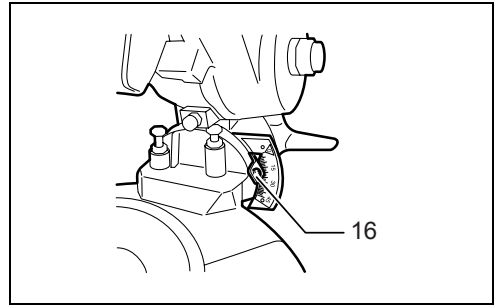
33



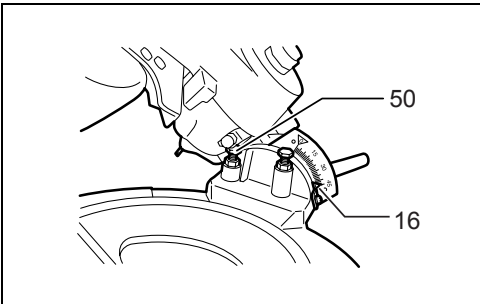
34



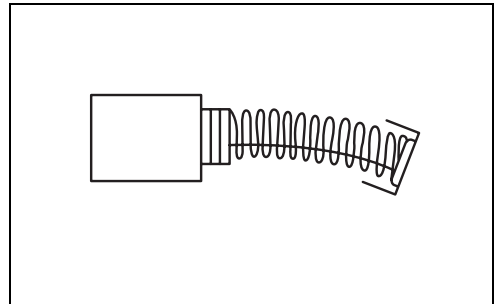
35



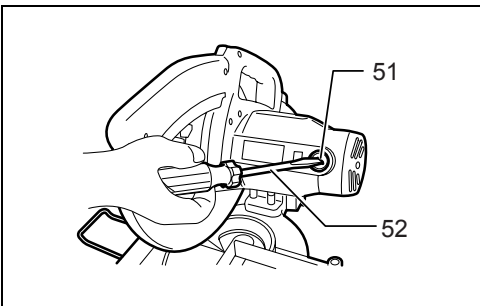
36



37



38



39

# ENGLISH

## Explanation of general view

- |                              |                   |                                    |
|------------------------------|-------------------|------------------------------------|
| 1. Wrench                    | 19. Center cover  | 37. Spacer block                   |
| 2. Knob                      | 20. Hex bolt      | 38. Aluminum extrusion             |
| 3. Auxiliary plate           | 21. Blade case    | 39. Spacer block                   |
| 4. Screw                     | 22. Arrow         | 40. Over 10 mm                     |
| 5. Base                      | 23. Saw blade     | 41. Over 460 mm                    |
| 6. Stopper pin               | 24. Spindle       | 42. Hole                           |
| 7. Bolt                      | 25. Flange        | 43. Set plate                      |
| 8. Blade guard               | 26. Ring          | 44. Holder                         |
| 9. Kerf board                | 27. Dust bag      | 45. Stopper pin                    |
| 10. Adjusting bolt           | 28. Fastener      | 46. Hex bolts                      |
| 11. Top surface of turn base | 29. Support       | 47. Triangular rule                |
| 12. Periphery of blade       | 30. Turn base     | 48. 0° adjusting bolt              |
| 13. Guide fence              | 31. Vise knob     | 49. Top surface of turn base       |
| 14. Lock lever               | 32. Screw         | 50. 45° bevel angle adjusting bolt |
| 15. Grip                     | 33. Vise arm      | 51. Brush holder cap               |
| 16. Pointer                  | 34. Vise rod      | 52. Screwdriver                    |
| 17. Lever                    | 35. Vertical vise |                                    |
| 18. Switch trigger           | 36. Vise          |                                    |

## SPECIFICATIONS

Model	MLS100
Blade diameter	255 mm
Hole diameter	
For all countries other than European countries	25.4 mm
For European countries	30 mm
Max. Cutting capacities (H x W) with blade 255 mm in diameter	

Bevel angle	Miter angle	
	0°	45° (left and right)
0°	75 mm x 130 mm	75 mm x 90 mm
45° (left)	48 mm x 120 mm	48 mm x 90 mm

No load speed (min <sup>-1</sup> )	4,200
Dimensions (L x W x H)	610 mm x 485 mm x 515 mm
Net weight	14.7 kg
Safety class	II

- Due to our continuing program of research and development, the specifications herein are subject to change without notice.
- Note: Specifications may differ from country to country.

### Symbols

END217-2

The following show the symbols used for the equipment. Be sure that you understand their meaning before use.



..... Read instruction manual.



..... DOUBLE INSULATION



..... To avoid injury from flying debris, keep holding the saw head down, after making cuts, until the blade has come to a complete stop.



..... Do not place hand or fingers close to the blade.



..... For your safety, remove the chips, small pieces, etc. from the table top before operation.



..... Always set SUB-FENCE to left position when performing left bevel cuts. Failure to do so may cause serious injury to operator.



..... To loosen the bolt, turn it clockwise.

### Intended use

ENE004-1

The tool is intended for accurate straight and miter cutting in wood. With appropriate saw blades, aluminum can also be sawed.

### Power supply

ENF002-1

The tool should be connected only to a power supply of the same voltage as indicated on the nameplate, and can

only be operated on single-phase AC supply. They are double-insulated in accordance with European Standard and can, therefore, also be used from sockets without earth wire.

## ADDITIONAL SAFETY RULES FOR TOOL

ENB040-3

1. **Wear eye protection.**
2. **Keep hands out of path of saw blade. Avoid contact with any coasting blade. It can still cause severe injury.**
3. **Do not operate saw without guards in place. Check blade guard for proper closing before each use. Do not operate saw if blade guard does not move freely and close instantly. Never clamp or tie the blade guard into the open position.**
4. **Do not perform any operation freehand.** The workpiece must be secured firmly against the turn base and guide fence with the vise during all operations. Never use your hand to secure the workpiece.
5. **Never reach around saw blade.**
6. **Turn off tool and wait for saw blade to stop before moving workpiece or changing settings.**
7. **Unplug tool before changing blade or servicing.**
8. Do not use the tool in the presence of flammable liquids or gases.
9. Check the blade carefully for cracks or damage before operation. Replace cracked or damaged blade immediately.
10. Use only flanges specified for this tool.
11. Be careful not to damage the arbor, flanges (especially the installing surface) or bolt. Damage to these parts could result in blade breakage.
12. Make sure that the turn base is properly secured so it will not move during operation.
13. For your safety, remove the chips, small pieces, etc. from the table top before operation.
14. Avoid cutting nails. Inspect for and remove all nails from the workpiece before operation.
15. Make sure the shaft lock is released before the switch is turned on.
16. Be sure that the blade does not contact the turn base in the lowest position.
17. Hold the handle firmly. Be aware that the saw moves up or down slightly during start-up and stopping.
18. Make sure the blade is not contacting the workpiece before the switch is turned on.
19. Before using the tool on an actual workpiece, let it run for a while. Watch for vibration or wobbling that could indicate poor installation or a poorly balanced blade.
20. Wait until the blade attains full speed before cutting.
21. Stop operation immediately if you notice anything abnormal.
22. Do not attempt to lock the trigger in the on position.
23. Be alert at all times, especially during repetitive, monotonous operations. Do not be lulled into a false sense of security. Blades are extremely unforgiving.
24. Always use accessories recommended in this manual. Use of improper accessories such as abrasive wheels may cause an injury.
25. **Do not use the saw to cut other than wood, aluminum or similar materials.**

26. **Connect miter saws to a dust collecting device when sawing.**
27. **Select saw blades in relation to the material to be cut.**
28. **Take care when slotting.**
29. **Replace the kerf board when worn.**
30. **Do not use saw blades manufactured from high speed steel.**
31. **Some dust created from operation contains chemicals known to cause cancer, birth defects or other reproductive harm. Some examples of these chemicals are:**
  - lead from lead-based-painted material and,
  - arsenic and chromium from chemically-treated lumber. Your risk from these exposures varies, depending on how often you do this type of work. To reduce your exposure to these chemicals: work in a well ventilated area and work with approved safety equipment, such as those dust masks that are specially designed to filter out microscopic particles.
32. **To reduce the emitted noise, always be sure that the blade is sharp and clean.**
33. **The operator is adequately trained in the use, adjustment and operation of the machine.**
34. **Use correctly sharpened saw blades. Observe the maximum speed marked on the saw blade.**
35. **Refrain from removing any cut-offs or other parts of the workpiece from the cutting area whilst the tool is running and the saw head is not in the rest position.**

## SAVE THESE INSTRUCTIONS.

### INSTALLATION (Fig. 1 & 2)

When the tool is shipped, the handle is locked in the lowered position by the stopper pin. Loosen the bolt with a wrench provided with the tool and move the saw head to the right angle. Remove the bolt and secure the saw head with the knob.

### Installing auxiliary plate (Fig. 3)

Installing the auxiliary plate using the hole in the tool's base and secure it by tightening the screw.

### Bench mounting

When the tool is shipped, the handle is locked in the lowered position by the stopper pin. Release the stopper pin by lowering the handle slightly and pulling the stopper pin. (Fig. 4)

This tool should be bolted with four bolts to a level and stable surface using the bolt holes provided in the tool's base. This will help prevent tipping and possible injury. (Fig. 5)

## FUNCTIONAL DESCRIPTION

### CAUTION:

- Always be sure that the tool is switched off and unplugged before adjusting or checking function on the tool.



## Blade guard (Fig. 6)

When lowering the handle, the blade guard rises automatically. The guard is spring loaded so it returns to its original position when the cut is completed and the handle is raised. NEVER DEFEAT OR REMOVE THE BLADE GUARD OR THE SPRING WHICH ATTACHES TO THE GUARD.

In the interest of your personal safety, always maintain the blade guard in good condition. Any irregular operation of the blade guard should be corrected immediately. Check to assure spring loaded return action of guard. NEVER USE THE TOOL IF THE BLADE GUARD OR SPRING ARE DAMAGED, FAULTY OR REMOVED. DOING SO IS HIGHLY DANGEROUS AND CAN CAUSE SERIOUS PERSONAL INJURY.

If the see-through blade guard becomes dirty, or sawdust adheres to it in such a way that the blade is no longer easily visible, unplug the saw and clean the guard carefully with a damp cloth. Do not use solvents or any petroleum-based cleaners on the plastic guard. If the see-through blade guard becomes dirty, or sawdust adheres to it in such a way that the blade and/or workpiece is no longer easily visible, unplug the saw and clean the guard carefully with a damp cloth. Do not use solvents or any petroleum-based cleaners on the plastic guard.

If the blade guard is especially dirty and vision through the guard is impaired, use the supplied wrench to loosen the hex bolt holding the center cover. Loosen the hex bolt by turning it counterclockwise and raise the blade guard and center cover. With the blade guard so positioned, cleaning can be more completely and efficiently accomplished.

When cleaning is complete, reverse procedure above and secure bolt. Do not remove spring holding blade guard. If guard becomes discolored through age or UV light exposure, contact a Makita service center for a new guard. DO NOT DEFEAT OR REMOVE GUARD. (Fig. 7)

## Kerf board (Fig. 8)

This tool is provided with the kerf board in the turn base to minimize tearing on the exit side of a cut. If the kerf groove has not yet been cut in the kerf board by the factory, you should cut the groove before actually using the tool to cut a workpiece. Switch on the tool and lower the blade gently to cut a groove in the kerf board.

## Maintaining maximum cutting capacity

This tool is factory adjusted to provide the maximum cutting capacity for a 255 mm saw blade.

When installing a new blade, always check the lower limit position of the blade and if necessary, adjust it as follows:

First, unplug the tool. Lower the handle completely. Use the wrench to turn the adjusting bolt until the periphery of the blade extends slightly below the top surface of the turn base at the point where the front face of the guide fence meets the top surface of the turn base. (Fig. 9)

With the tool unplugged, rotate the blade by hand while holding the handle all the way down to be sure that the blade does not contact any part of the lower base. Re-adjust slightly, if necessary. (Fig. 10)

### CAUTION:

- After installing a new blade, always be sure that the blade does not contact any part of the lower base when

the handle is lowered completely. Always do this with the tool unplugged.

## Adjusting the miter angle (Fig. 11)

Loosen the grip by turning counterclockwise. Turn the turn base while pressing down the lock lever. When you have moved the grip to the position where the pointer points to the desired angle on the miter scale, securely tighten the grip clockwise.

### CAUTION:

- When turning the turn base, be sure to raise the handle fully.
- After changing the miter angle, always secure the turn base by tightening the grip firmly.

## Adjusting the bevel angle (Fig. 12 & 13)

To adjust the bevel angle, loosen the knob at the rear of the tool counterclockwise.

Push the handle to the left to tilt the saw blade until the pointer points to the desired angle on the bevel scale.

Then tighten the knob clockwise firmly to secure the arm.

### CAUTION:

- When tilting the saw blade, be sure to raise the handle fully.
- After changing the bevel angle, always secure the arm by tightening the knob clockwise.

## Switch action

### CAUTION:

- Before plugging in the tool, always check to see that the switch trigger actuates properly and returns to the "OFF" position when released.

### For European countries (Fig. 14)

To start the tool, push the lever to the right and then pull the switch trigger. Release the switch trigger to stop.

### For all countries other than European countries (Fig. 15)

To start the tool, simply pull the switch trigger. Release the switch trigger to stop.

### WARNING:

- NEVER use tool without a fully operative switch trigger. Any tool with an inoperative switch is HIGHLY DANGEROUS and must be repaired before further usage.

## ASSEMBLY

### CAUTION:

- Always be sure that the tool is switched off and unplugged before carrying out any work on the tool.

## Installing or removing saw blade

### CAUTION:

- Always be sure that the tool is switched off and unplugged before installing or removing the blade.
- Use only the Makita wrench provided to install or remove the blade. Failure to do so may result in overtightening or insufficient tightening of the hex bolt. This could cause an injury.

When removing or installing the blade, keep the handle in the raised position. (Fig. 16)

To remove the blade, use the wrench to loosen the hex bolt holding the center cover by turning it counterclockwise. Raise the blade guard and center cover. (Fig. 17)

Press the shaft lock to lock the spindle and use the wrench to loosen the hex bolt clockwise. Then remove the hex bolt, outer flange and blade. (Fig. 18)

To install the blade, mount it carefully onto the spindle, making sure that the direction of the arrow on the surface of the blade matches the direction of the arrow on the blade case. Install the outer flange and hex bolt, and then use the wrench to tighten the hex bolt (left-handed) securely counterclockwise while pressing the shaft lock. (Fig. 19 & 20)

#### CAUTION:

- The ring 25.4 mm or 30 mm in outer diameter is factory-installed onto the spindle. Before mounting the blade onto the spindle, always be sure that the correct ring for the arbor hole of the blade you intend to use is installed onto the spindle.

Install the outer flange and hex bolt, and then use the wrench to tighten the hex bolt (left-handed) securely counterclockwise while pressing the shaft lock.

Return the blade guard and center cover to its original position. Then tighten the hex bolt clockwise to secure the center cover. Lower the handle to make sure that the blade guard moves properly. Make sure shaft lock has released spindle before making cut.

### Dust bag (Fig. 21 & 22)

The use of the dust bag makes cutting operations clean and dust collection easy. To attach the dust bag, fit it onto the dust nozzle.

When the dust bag is about half full, remove the dust bag from the tool and pull the fastener out. Empty the dust bag of its contents, tapping it lightly so as to remove particles adhering to the insides which might hamper further collection.

#### NOTE:

If you connect a Makita vacuum cleaner to your saw, more efficient and cleaner operations can be performed.

### Securing workpiece

#### WARNING:

- It is extremely important to always secure the workpiece properly and tightly with the vise. Failure to do so can cause the tool to be damaged and/or the workpiece to be destroyed. PERSONAL INJURY MAY ALSO RESULT. Also, after a cutting operation, DO NOT raise the blade until the blade has come to a complete stop.

#### CAUTION:

- When cutting long workpieces, use supports that are as high as the top surface level of the turn base. Do not rely solely on the vertical vise and/or horizontal vise to secure the workpiece.
- Thin material tends to sag. Support workpiece over its entire length to avoid blade pinch and possible KICKBACK. (Fig. 23)

### Vertical vise (Fig. 24)

The vertical vise can be installed in two positions on either the left or right side of the guide fence. Insert the vise rod into the hole in the guide fence and tighten the screw to secure the vise rod.

Position the vise arm according to the thickness and shape of the workpiece and secure the vise arm by tightening the screw. Make sure that no part of the tool contacts the vise when lowering the handle all the way. If some part contacts the vise, re-position the vise.

Press the workpiece flat against the guide fence and the turn base. Position the workpiece at the desired cutting position and secure it firmly by tightening the vise knob.

#### CAUTION:

- The workpiece must be secured firmly against the turn base and guide fence with the vise during all operations.

### OPERATION

#### CAUTION:

- Before use, be sure to release the handle from the lowered position by pulling the stopper pin.
- Make sure the blade is not contacting the workpiece, etc. before the switch is turned on.
- Do not apply excessive pressure on the handle when cutting. Too much force may result in overload of the motor and/or decreased cutting efficiency. Push down handle with only as much force as is necessary for smooth cutting and without significant decrease in blade speed.
- Gently press down the handle to perform the cut. If the handle is pressed down with force or if lateral force is applied, the blade will vibrate and leave a mark (saw mark) in the workpiece and the precision of the cut will be impaired.

#### 1. Press cutting (Fig. 25)

Secure the workpiece with the vise. Switch on the tool without the blade making any contact and wait until the blade attains full speed before lowering. Then gently lower the handle to the fully lowered position to cut the workpiece. When the cut is completed, switch off the tool and WAIT UNTIL THE BLADE HAS COME TO A COMPLETE STOP before returning the blade to its fully elevated position.

#### 2. Miter cutting

Refer to the previously covered "Adjusting the miter angle".

#### 3. Bevel cut (Fig. 26)

Loosen the knob and tilt the saw blade to set the bevel angle (Refer to the previously covered "Adjusting the bevel angle"). Be sure to retighten the knob firmly to secure the selected bevel angle safely. Secure the workpiece with a vise. Switch on the tool without the blade making any contact and wait until the blade attains full speed. Then gently lower the handle to the fully lowered position while applying pressure in parallel with the blade. When the cut is completed, switch off the tool and WAIT UNTIL THE BLADE HAS COME TO A COMPLETE STOP before returning the blade to its fully elevated position.

**CAUTION:**

- Always be sure that the blade will move down to bevel direction during a bevel cut. Keep hands out of path of saw blade.
- During a bevel cut, it may create a condition whereby the piece cut off will come to rest against the side of the blade. If the blade is raised while the blade is still rotating, this piece may be caught by the blade, causing fragments to be scattered which is dangerous. The blade should be raised ONLY after the blade has come to a complete stop.
- When pressing the handle down, apply pressure parallel to the blade. If the pressure is not parallel to the blade during a cut, the angle of the blade might be shifted and the precision of the cut will be impaired.

**4. Compound cutting**

Compound cutting is the process in which a bevel angle is made at the same time in which a miter angle is being cut on a workpiece. Compound cutting can be performed at angle shown in the table.

Bevel angle	Miter angle
45°	Left and Right 0 - 45°

When performing compound cutting, refer to "Press cutting", "Miter cutting" and "Bevel cut" explanations.

**5. Cutting aluminum extrusion (Fig. 27)**

When securing aluminum extrusions, use spacer blocks or pieces of scrap as shown in the figure to prevent deformation of the aluminum. Use a cutting lubricant when cutting the aluminum extrusion to prevent build-up of the aluminum material on the blade.

**CAUTION:**

- Never attempt to cut thick or round aluminum extrusions. Thick aluminum extrusions may come loose during operation and round aluminum extrusions cannot be secured firmly with this tool.
- 6. Wood facing (Fig. 28)**
- Use of wood facing helps to assure splinter-free cuts in workpieces. Attach a wood facing to the guide fence using the holes in the guide fence. See the figure concerning the dimensions for a suggested wood facing.

**CAUTION:**

- Use straight wood of even thickness as the wood facing.
- Use screws to attach the wood facing to the guide fence. The screws should be installed so that the screw heads are below the surface of the wood facing.
- When the wood facing is attached, do not turn the turn base with the handle lowered. The blade and/or the wood facing will be damaged.
- The maximum cutting width will be smaller by the width of wood facing.

**7. Cutting repetitive lengths (Fig. 29)**

When cutting several pieces of stock to the same length, ranging from 240 mm to 380 mm, use of the set plate (optional accessory) will facilitate more efficient operation. Install the set plate on the holder (optional accessory) as shown in the figure. Align the cutting line on your workpiece with either the left or right side of the groove in the kerf board, and while

holding the workpiece from moving, move the set plate flush against the end of the workpiece. Then secure the set plate with the screw. When the set plate is not used, loosen the screw and turn the set plate out of the way.

**Carrying tool (Fig. 30)**

Make sure that the tool is unplugged. Secure the blade at 0° bevel angle and the turn base at left miter angle fully. Lower the handle fully and lock it in the lowered position by pushing in the stopper pin. Carry the tool by carrying grip as shown in the figure. If you remove the holders, dust bag, etc., you can carry the tool more easily. (Fig. 31)

**CAUTION:**

- Always secure all moving portions before carrying the tool.
- Stopper pin is for carrying and storage purposes only and not for any cutting operations.

**MAINTENANCE****CAUTION:**

- Always be sure that the tool is switched off and unplugged before attempting to perform inspection or maintenance.

**WARNING:**

- Always be sure that the blade is sharp and clean for the best and safest performance.

**Adjusting the cutting angle**

This tool is carefully adjusted and aligned at the factory, but rough handling may have affected the alignment. If your tool is not aligned properly, perform the following:

**1. Miter angle (Fig. 32)**

Loosen the grip which secures the turn base. Turn the turn base so that the pointer points to 0° on the miter scale. Tighten the grip and loosen the hex bolts securing the guide fence using the wrench. If the pointer does not point to 0° on the miter scale, loosen the screw which secures the pointer and move and secure the pointer plate so that the pointer points to 0° on the miter scale.

Lower the handle fully and lock it in the lowered position by pushing in the stopper pin. Square the side of the blade with the face of the guide fence using a triangular rule, try-square, etc. Then securely tighten the hex bolts on the guide fence in the order from the right side. (Fig. 33)

**2. Bevel angle****(1) 0° bevel angle (Fig. 34)**

Lower the handle fully and lock it in the lowered position by pushing in the stopper pin. Loosen the knob at the rear of the tool. Loosen the hex nut and turn the 0° bevel angle adjusting bolt on the right side of the turn base two or three revolutions clockwise to tilt the blade to the right.

Carefully square the side of the blade with the top surface of the turn base using the triangular rule, try-square, etc. by turning the 0° bevel angle adjusting bolt counterclockwise. Then tighten the hex nut to secure the 0° bevel angle adjusting bolt and tighten the knob securely.

Make sure that the pointer on the arm points to 0° on the bevel scale. If it does not point to 0° on the bevel scale, loosen the screw which secures the pointer and move and secure the pointer plate so that the pointer points to 0° on the bevel scale. (Fig. 35 & 36)

(2) 45° bevel angle (Fig. 37)

Adjust the 45° bevel angle only after performing 0° bevel angle adjustment. To adjust left 45° bevel angle, loosen the knob and tilt the blade to the left fully. Make sure that the pointer on the arm points to 45° on the bevel scale on the arm. If the pointer does not point 45°, turn the 45° bevel angle adjusting bolt on the left side of the arm until the pointer points to 45°.

### Replacing carbon brushes (Fig. 38)

Remove and check the carbon brushes regularly. Replace when they wear down to 3 mm in length. Keep the carbon brushes clean and free to slip in the holders. Both carbon brushes should be replaced at the same time. Use only identical carbon brushes.

Use a screwdriver to remove the brush holder caps. Take out the worn carbon brushes, insert the new ones and secure the brush holder caps. (Fig. 39)

### After use

- After use, wipe off chips and dust adhering to the tool with a cloth or the like. Keep the blade guard clean according to the directions in the previously covered section titled "Blade guard". Lubricate the sliding portions with machine oil to prevent rust.

To maintain product SAFETY and RELIABILITY, repairs, any other maintenance or adjustment should be performed by Makita Authorized Service Centers, always using Makita replacement parts.

## Descriptif

1. Clé	19. Couvercle central	37. Bloc entretoise
2. Poignée de serrage	20. Boulon hexagonal	38. Extrusion d'aluminium
3. Plaque auxiliaire	21. Porte-lame	39. Bloc entretoise
4. Vis	22. Flèche	40. Plus de 10 mm
5. Socle	23. Lame de scie	41. Plus de 460 mm
6. Broche d'arrêt	24. Axe	42. Orifice
7. Boulon	25. Flasque	43. Plaque de fixation
8. Carter de lame	26. Bague	44. Porte-outil
9. Plateau de découpe	27. Sac à poussières	45. Broche d'arrêt
10. Boulon de réglage	28. Fermeture à glissière	46. Boulons hexagonaux
11. Face supérieure du socle rotatif	29. Support	47. Règle triangulaire
12. Périphérie de la lame	30. Socle rotatif	48. Boulon de réglage 0°
13. Garde parallèle	31. Poignée de serrage de l'étau	49. Face supérieure du socle rotatif
14. Levier de sécurité	32. Vis	50. Boulon de réglage d'angle de biseau 45°
15. Manche	33. Bras de l'étau	51. Bouchon de porte-charbon
16. Index	34. Tige de l'étau	52. Tournevis
17. Levier	35. Étau vertical	
18. Gâchette	36. Étau	

## SPÉCIFICATIONS

Modèle	MLS100
Diamètre de la lame	255 mm
Diamètre de l'orifice	
Pour tous les pays non européens	25,4 mm
Pour les pays d'Europe	30 mm
Capacités max. de coupe (H x P) avec une lame à diamètre de 255 mm	

Angle de biseau	Angle de coupe d'onglet	
	0°	45° (à gauche et à droite)
0°	75 mm x 130 mm	75 mm x 90 mm
45° (gauche)	48 mm x 120 mm	48 mm x 90 mm

Vitesse à vide (min <sup>-1</sup> )	4 200
Dimensions (L x P x H)	610 mm x 485 mm x 515 mm
Poids net	14,7 kg
Niveau de sécurité	 II

- Étant donné l'évolution constante de notre programme de recherche et de développement, les spécifications contenues dans ce manuel sont sujettes à modification sans préavis.
- Remarque : Les spécifications peuvent varier d'un pays à l'autre.

### Symboles

Les symboles utilisés pour l'outil sont indiqués ci-dessous. Assurez-vous d'avoir bien compris leur signification avant d'utiliser l'outil.

END217-2



..... Pour votre sécurité, retirez les copeaux et autres petites pièces présentes sur la table avant de commencer le travail.



..... Placez toujours le GARDE AUXILIAIRE à gauche pour effectuer des coupes en biseau sur la gauche. Autrement vous courrez un risque de grave blessure.



..... Pour desserrer le boulon, tournez-le dans le sens des aiguilles d'une montre.



..... Lisez le manuel d'instructions.



..... DOUBLE ISOLATION



..... Pour éviter les blessures causées par les projections, gardez la tête porte-scie orientée vers le bas après la coupe, jusqu'à ce que la lame soit complètement arrêtée.



..... N'approchez pas la main ou les doigts de la lame.

### Utilisations

ENE004-1

L'outil est conçu pour les coupes rectilignes et coupes d'onglet de précision dans le bois. Avec des lames appropriées, il permet aussi de scier l'aluminium.

## Alimentation

ENF002-1

L'outil ne doit être raccordé qu'à une alimentation de la même tension que celle qui figure sur la plaque signalétique, et il ne peut fonctionner que sur un courant secteur monophasé. Réalisé avec une double isolation, il est conforme à la réglementation européenne et peut de ce fait être alimenté sans mise à la terre.

## CONSIGNES DE SÉCURITÉ ADDITIONNELLES POUR L'OUTIL

ENB040-3

1. **Portez des lunettes de protection.**
2. **Maintenez les mains hors de la ligne de coupe de la lame. Évitez tout contact avec la lame alors qu'elle continue de tourner après la mise hors tension de l'outil. Elle peut alors quand même causer de graves blessures.**
3. **N'utilisez pas la scie si ses carters de protection ne sont pas en place. Avant chaque utilisation, assurez-vous que le carter de lame ferme bien. N'utilisez pas la scie si le carter de lame ne se déplace pas librement et ne se referme pas immédiatement. Évitez d'immobiliser ou de fixer le carter de lame en position ouverte.**
4. **Ne sciez jamais à la volée.** La pièce doit être fixée fermement contre le socle rotatif et le garde parallèle avec l'étau lors de tout travail de coupe. Ne tenez jamais la pièce avec la main pour l'immobiliser.
5. **N'approchez jamais les mains de la lame.**
6. **Coupez le contact et attendez l'arrêt de la lame avant de déplacer la pièce ou de modifier les réglages.**
7. **Débranchez l'outil avant le changement de lame ou la réparation.**
8. N'utilisez pas l'outil en présence de liquides ou gaz inflammables.
9. Avant de commencer votre travail, vérifiez soigneusement l'absence de fissures ou de dommages sur la lame. Remplacez immédiatement toute lame fissurée ou endommagée.
10. Utilisez exclusivement les flasques spécifiés pour cet outil.
11. Prenez garde d'endommager l'arbre, les flasques (tout particulièrement leur surface d'installation) ou le boulon. La lame risque de casser si ces pièces sont endommagées.
12. Assurez-vous que le socle rotatif est bien immobilisé, de sorte qu'il ne bouge pas pendant l'opération.
13. Pour votre sécurité, retirez les copeaux et autres petites pièces présentes sur la table avant de commencer le travail.
14. Prenez garde aux clous pendant la coupe. Avant de travailler votre pièce, inspectez-la et retirez-en tous les clous.
15. Assurez-vous que le blocage de l'arbre est libéré avant de mettre le contact.
16. Assurez-vous que la lame n'entre pas en contact avec le socle rotatif lorsqu'elle se trouve sur sa position la plus basse.
17. Tenez la poignée fermement. N'oubliez pas que la scie se déplace légèrement vers le haut ou le bas au démarrage et à l'arrêt.
18. Assurez-vous que la lame ne touche pas la pièce à travailler avant de mettre le contact.
19. Avant d'utiliser l'outil sur la pièce elle-même, laissez-le tourner un instant. Soyez attentif à toute vibration ou sautellement pouvant indiquer que la lame n'est pas bien installée ou qu'elle est mal équilibrée.
20. Attendez que la lame atteigne sa pleine vitesse avant de procéder à la coupe.
21. Arrêtez immédiatement votre outil dès que vous notez une anomalie.
22. N'essayez pas de verrouiller la gâchette en position de marche.
23. Demeurez attentif en tout temps, et tout particulièrement lors des travaux répétitifs et monotones. Ne vous laissez pas emporter par un sentiment de sécurité trompeur. Les lames ne pardonnent pas.
24. Utilisez toujours les accessoires spécifiés dans ce manuel. L'utilisation d'accessoires inadéquats, tels que des meules abrasives, peut causer une blessure.
25. **N'utilisez pas la scie pour couper autre chose que le bois, l'aluminium ou des matériaux similaires.**
26. **Lorsque vous sciez avec une scie à coupe d'onglet, raccordez cette dernière à un appareil de collecte des poussières.**
27. **Sélectionnez les lames de scie en fonction du type de matériau à couper.**
28. **Soyez prudent lors du rainurage.**
29. **Remplacez le plateau de découpe lorsqu'il est usé.**
30. **N'utilisez pas les lames de scie en acier haute vitesse.**
31. **Certaines poussières générées lors de l'utilisation peuvent contenir des produits chimiques pouvant causer le cancer, des anomalies congénitales ou autres problèmes de reproduction. Parmi ces produits chimiques figurent notamment :**
  - le plomb des matériaux recouverts de peinture à base de plomb, ainsi que
  - l'arsenic et le chrome du bois traité chimiquement. Les risques entraînés par l'exposition à ces produits varient suivant la fréquence d'exécution de ce type de travaux. Pour réduire votre exposition à ces produits chimiques : travaillez dans une zone bien ventilée et avec l'équipement de sécurité approuvé, tel que les masques à poussière spécialement conçus pour filtrer les particules microscopiques.
32. **Pour réduire l'émission de bruit, assurez-vous toujours que la lame est bien aiguisée et propre.**
33. **L'utilisateur doit être correctement formé concernant l'utilisation, le réglage et le fonctionnement de l'outil.**
34. **Utilisez des lames bien aiguisées. Respectez la vitesse maximale indiquée sur la lame.**
35. **Évitez de retirer de la zone de coupe les copeaux ou autres bouts de pièce tant que l'outil tourne et que la tête porte-scie n'est pas en position de repos.**

# CONSERVEZ CES INSTRUCTIONS.

## INSTALLATION (Fig. 1 et 2)

À la sortie d'usine de l'outil, la poignée est verrouillée en position abaissée par la broche d'arrêt. Desserrez le boulon à l'aide de la clé fournie avec l'outil, et déplacez la tête porte-scie sur l'angle adéquat. Retirez le boulon et serrez la tête porte-scie à l'aide de la poignée de serrage.

### Installation de la plaque auxiliaire (Fig. 3)

Installez la plaque auxiliaire au moyen de l'orifice qui se trouve dans le socle de l'outil, et immobilisez-la en serrant la vis.

### Montage de l'établi

À la sortie d'usine de l'outil, la poignée est verrouillée en position abaissée par la broche d'arrêt. Libérez la broche d'arrêt en abaissant légèrement la poignée et en tirant sur la broche d'arrêt. (Fig. 4)

Cet outil doit être boulonné à une surface horizontale et stable au moyen de quatre boulons fixés dans les orifices à boulon qui se trouvent dans le socle de l'outil. Cela aidera à prévenir le renversement de l'outil et les risques de blessure. (Fig. 5)

## DESCRIPTION DU FONCTIONNEMENT

### ATTENTION :

- Assurez-vous toujours que l'outil est éteint et débranché avant de l'ajuster ou de vérifier son fonctionnement.

### Carter de lame (Fig. 6)

Le carter de lame s'élève automatiquement lorsque vous abaissez la poignée. Le carter de lame est activé par un ressort, de sorte qu'il retourne sur sa position originale lorsque la coupe est terminée et que vous soulevez la poignée. **NE JAMAIS MODIFIER OU RETIRER LE CARTER DE LAME OU LE RESSORT FIXÉ AU CARTER.**

Pour assurer votre propre sécurité, maintenez toujours le carter de lame en bon état. Tout fonctionnement anormal du carter de lame doit être immédiatement corrigé. Assurez-vous que l'action de retour du ressort s'effectue correctement. **NE JAMAIS UTILISER L'OUTIL SI LE CARTER DE LAME OU LE RESSORT EST ENDOMMAGÉ, FONCTIONNE MAL OU A ÉTÉ RETIRÉ. CELA EST TRÈS DANGEREUX ET PEUT ENTRAÎNER UNE GRAVE BLESSURE.**

Si le carter de lame transparent est sale ou recouvert de poussières au point de rendre la lame peu visible, débranchez la scie et nettoyez soigneusement le carter à l'aide d'un chiffon humide. N'utilisez aucun solvant ou nettoyant à base de pétrole pour nettoyer le carter de plastique. Si le carter de lame transparent est sale ou recouvert de poussières au point de rendre la lame ou la pièce peu visible, débranchez la scie et nettoyez soigneusement le carter à l'aide d'un chiffon humide. N'utilisez aucun solvant ou nettoyant à base de pétrole pour nettoyer le carter de plastique.

Si le carter de lame est très sale et qu'il est difficile de voir à travers, utilisez la clé fournie pour desserrer le boulon hexagonal qui retient le couvercle central. Desserrez le boulon hexagonal en le tournant dans le sens contraire des aiguilles d'une montre, puis soulevez le carter de lame et le couvercle central. Avec le carter de lame dans cette position, il est possible de nettoyer le carter de manière plus complète et efficace. Une fois le nettoyage terminé, effectuez la procédure en sens inverse et serrez le boulon. Ne retirez pas le ressort qui retient le carter de lame. Si le carter se décolore avec le temps ou sous l'effet de l'exposition aux rayons ultraviolets, contactez un centre de service Makita pour vous procurer un nouveau carter. **NE PAS MODIFIER OU RETIRER LE CARTER.** (Fig. 7)

### Plateau de découpe (Fig. 8)

Cet outil est équipé d'un plateau de découpe, sur le socle rotatif, pour minimiser le fendillement du côté de sortie de la coupe. Si la rainure n'a pas été pratiquée dans le plateau de découpe en usine, vous devez le faire avant d'utiliser l'outil pour couper une pièce. Mettez le contact et abaissez doucement la lame pour pratiquer une rainure dans le plateau de découpe.

### Maintenir la capacité de coupe maximale

Cet outil est réglé en usine pour fournir une capacité de coupe maximale avec une lame de 255 mm.

Lorsque vous installez une lame neuve, vérifiez toujours la position limite inférieure de la lame et, au besoin, réglez-la comme suit :

Commencez par débrancher l'outil. Abaissez complètement la poignée. Utilisez la clé pour tourner le boulon de réglage jusqu'à ce que la périphérie de la lame dépasse légèrement sous la face supérieure du socle rotatif, au point de rencontre entre la face avant du garde parallèle et la face supérieure du socle rotatif. (Fig. 9)

Avec l'outil débranché, tournez la lame manuellement tout en maintenant la poignée complètement abaissée pour vous assurer que la lame n'entre en contact avec aucune partie du socle inférieur. Réajustez légèrement, si nécessaire. (Fig. 10)

### ATTENTION :

- Après l'installation d'une lame neuve, assurez-vous toujours qu'elle n'entre en contact avec aucune partie du socle inférieur lorsque la poignée est complètement abaissée. Effectuez toujours cette opération avec l'outil débranché.

### Réglage de l'angle de coupe d'onglet (Fig. 11)

Desserrez la poignée en la tournant dans le sens contraire des aiguilles d'une montre. Tournez le socle rotatif tout en abaissant le levier de sécurité. Après avoir déplacé la poignée sur la position où l'index pointe sur l'angle désiré sur l'échelle de coupe d'onglet, serrez fermement le manche en tournant dans le sens des aiguilles d'une montre.

### ATTENTION :

- Vous devez soulever la poignée complètement avant de tourner le socle rotatif.
- Après avoir changé l'angle de coupe d'onglet, immobilisez toujours le socle rotatif en serrant fermement le manche.

## Réglage de l'angle de biseau (Fig. 12 et 13)

Pour régler l'angle de biseau, desserrez la poignée de serrage à l'arrière de l'outil en tournant dans le sens contraire des aiguilles d'une montre.

Poussez la poignée vers la gauche pour incliner la lame jusqu'à ce que l'index pointe vers l'angle désiré sur l'échelle de coupe en biseau.

Serrez ensuite la poignée de serrage dans le sens des aiguilles d'une montre pour immobiliser le bras.

### ATTENTION :

- Vous devez soulever la poignée complètement avant d'incliner la lame.
- Après avoir changé l'angle de biseau, immobilisez toujours le bras en serrant la poignée de serrage dans le sens des aiguilles d'une montre.

## Interrupteur

### ATTENTION :

- Avant de brancher l'outil, vérifiez toujours que la gâchette fonctionne correctement et revient en position d'arrêt (« OFF ») lorsqu'elle est relâchée.

### Pour les pays d'Europe (Fig. 14)

Pour faire démarrer l'outil, poussez le levier vers la droite puis appuyez sur la gâchette. Pour l'arrêter, relâchez la gâchette.

### Pour tous les pays non européens (Fig. 15)

Pour mettre l'outil en marche, appuyez simplement sur la gâchette. Pour l'arrêter, relâchez la gâchette.

### AVERTISSEMENT :

- N'utilisez JAMAIS un outil dont la gâchette ne fonctionne pas parfaitement. Tout outil dont la gâchette ne fonctionne pas bien est **EXTRÊMEMENT DANGEREUX** et doit être réparé avant toute nouvelle utilisation.

## ASSEMBLAGE

### ATTENTION :

- Avant d'effectuer toute intervention sur l'outil, assurez-vous toujours qu'il est éteint et débranché.

## Installation et retrait de la lame

### ATTENTION :

- Assurez-vous toujours que l'outil est hors tension et débranché avant d'installer ou de retirer la lame.
- Utilisez exclusivement la clé Makita fournie pour installer ou retirer la lame. Autrement vous risquez d'effectuer un serrage excessif ou insuffisant du boulon hexagonal. Cela comporte un risque de blessure.

Pour retirer ou installer la lame, gardez la poignée en position élevée. (Fig. 16)

Pour retirer la lame, utilisez la clé pour desserrer le boulon hexagonal qui retient le couvercle central, en tournant dans le sens contraire des aiguilles d'une montre. Soulevez le carter de lame et le couvercle central. (Fig. 17)

Appuyez sur le blocage de l'arbre pour verrouiller l'axe et utilisez la clé pour desserrer le boulon hexagonal, en tournant dans le sens des aiguilles d'une montre. Retirez

ensuite le boulon hexagonal, le flasque extérieur et la lame. (Fig. 18)

Pour installer la lame, montez-la prudemment sur l'axe, en vous assurant que le sens indiqué par la flèche de la lame correspond à celle de la flèche du porte-lame. Installez le flasque extérieur et le boulon hexagonal, puis utilisez la clé pour serrer le boulon hexagonal (fileté vers la gauche) fermement en tournant dans le sens contraire des aiguilles d'une montre tout en appuyant sur le blocage de l'arbre. (Fig. 19 et 20)

### ATTENTION :

- Une bague à diamètre extérieur de 25,4 mm ou 30 mm est installée sur l'axe en usine. Avant de monter la lame sur l'axe, assurez-vous toujours d'avoir installé la bonne bague pour l'alésage central de la lame que vous prévoyez utiliser.

Installez le flasque extérieur et le boulon hexagonal, puis utilisez la clé pour serrer le boulon hexagonal (fileté vers la gauche) fermement en tournant dans le sens contraire des aiguilles d'une montre tout en appuyant sur le blocage de l'arbre.

Remettez en position initiale le carter de lame et le couvercle central. Serrez ensuite le boulon hexagonal dans le sens des aiguilles d'une montre pour immobiliser le couvercle central. Abaissez la poignée pour vous assurer que le carter de lame se déplace correctement. Avant d'effectuer la coupe, assurez-vous que le blocage de l'arbre a libéré l'axe.

## Sac à poussières (Fig. 21 et 22)

L'utilisation du sac à poussières permet d'effectuer la coupe de manière propre et elle facilite la collecte des poussières. Pour fixer le sac à poussières, insérez-le dans le raccord à poussières.

Lorsque le sac à poussières est environ à moitié plein, retirez-le de l'outil et ouvrez la fermeture-éclair. Videz le sac en le tapotant pour détacher les particules qui adhèrent à l'intérieur et peuvent empêcher la collecte des poussières.

### REMARQUE :

Si vous raccordez un aspirateur Makita à la scie, vous effectuerez votre travail de façon plus efficace et plus propre.

## Immobiliser la pièce à travailler

### AVERTISSEMENT :

- Il est extrêmement important de toujours immobiliser correctement la pièce à travailler et de la serrer fermement à l'aide de l'étau. Autrement vous risquez d'endommager l'outil et/ou de détruire la pièce. **CELA COMPORTE ÉGALEMENT UN RISQUE DE BLESSURE**. De plus, après la coupe, **NE soulevez PAS** la lame avant qu'elle ne soit parfaitement arrêtée.

### ATTENTION :

- Lorsque vous coupez de longues pièces, utilisez des supports aussi hauts que le niveau de la face supérieure du socle rotatif. N'immobilisez pas la pièce à travailler uniquement à l'aide de l'étau vertical et/ou de l'étau horizontal.
- Les matériaux minces ont tendance à s'affaisser. La pièce doit être soutenue sur toute sa longueur pour éviter que la lame ne se coince, ce qui comporte un risque de **CHOC EN RETOUR**. (Fig. 23)



## Étau vertical (Fig. 24)

Deux positions sont possibles pour l'étau vertical, du côté gauche ou droit du garde parallèle. Insérez la tige de l'étau dans l'orifice du garde parallèle et serrez la vis pour immobiliser la tige de l'étau.

Placez le bras de l'étau en fonction de l'épaisseur et de la forme de la pièce à travailler, et serrez le bras de l'étau en serrant la vis. Assurez-vous qu'aucune partie de l'outil n'entre en contact avec l'étau lorsque la poignée est complètement abaissée. Dans le cas contraire, modifiez la position de l'étau.

Appuyez sur la pièce pour la mettre à plat contre le garde parallèle et le socle rotatif. Placez la pièce à travailler sur la position de coupe désirée et immobilisez-la fermement en serrant la poignée de serrage de l'étau.

### ATTENTION :

- La pièce doit être fixée fermement contre le socle rotatif et le garde parallèle avec l'étau lors de tout travail de coupe.

## UTILISATION

### ATTENTION :

- Avant l'utilisation, vous devez libérer la poignée de la position abaissée en tirant sur la broche d'arrêt.
- Avant de mettre le contact, assurez-vous que la lame ne touche pas la pièce à travailler ou tout autre objet.
- N'appliquez pas une pression excessive sur la poignée pendant la coupe. Une force excessive peut entraîner une surcharge du moteur et/ou réduire l'efficacité de la coupe. N'appliquez que la force nécessaire pour abaisser la poignée afin d'effectuer une coupe en douceur sans diminution significative de la vitesse de la lame.
- Abaissez doucement la poignée pour effectuer la coupe. Si vous forcez la poignée pour l'abaisser ou si une force latérale est appliquée, la lame vibrera et laissera une marque (marque de scie) sur la pièce et la précision de la coupe sera moindre.

### 1. Découpe à la presse (Fig. 25)

Immobilisez la pièce à l'aide de l'étau. Mettez l'outil en marche sans que la lame n'entre en contact avec quoi que ce soit, et attendez que la lame atteigne sa pleine vitesse avant de l'abaisser. Abaissez ensuite doucement la poignée jusqu'en position complètement abaissée pour couper la pièce. Une fois la coupe terminée, coupez le contact de l'outil et ATTENDEZ L'ARRÊT COMPLET DE LA LAME avant de relever complètement la lame.

### 2. Coupe d'onglet

Reportez-vous à la section précédente, « Réglage de l'angle de coupe d'onglet ».

### 3. Coupe en biseau (Fig. 26)

Desserrez la poignée de serrage et inclinez la lame pour régler l'angle de biseau (reportez-vous à la section « Réglage de l'angle de biseau »). Vous devez resserrer la poignée de serrage fermement pour bien immobiliser la lame sur l'angle de biseau sélectionné. Immobilisez la pièce à l'aide d'un étau. Mettez l'outil en marche sans que la lame n'entre en contact avec quoi que ce soit, et attendez que la lame atteigne sa pleine vitesse. Abaissez ensuite doucement la poignée jusqu'en position complètement abaissée,

tout en appliquant une pression parallèle à la lame.

Une fois la coupe terminée, coupez le contact de l'outil et ATTENDEZ L'ARRÊT COMPLET DE LA LAME avant de relever complètement la lame.

### ATTENTION :

- Assurez-vous toujours que la lame se déplacera dans le sens du biseau lorsque vous effectuez une coupe en biseau. Maintenez les mains hors de la ligne de coupe de la lame.
- Lors d'une coupe en biseau, il peut arriver que la partie qui se détache de la pièce coupée repose contre le côté de la lame. Si vous soulevez la lame alors qu'elle tourne encore, ce bout de pièce risque d'être happé par la lame et de dangereux fragments seront projetés. La lame doit être soulevée UNIQUEMENT après son arrêt complet.
- Lorsque vous abaissez la poignée, appliquez une pression parallèle à la lame. Si la pression appliquée n'est pas parallèle à la lame pendant la coupe, l'angle de la lame risque d'être modifié, ce qui affectera la précision de la coupe.

### 4. Coupe mixte

La coupe mixte consiste à effectuer en même temps une coupe en biseau et une coupe d'onglet sur une pièce. La coupe mixte est possible pour les angles indiqués dans le tableau.

Angle de biseau	Angle de coupe d'onglet
45°	0 à 45° sur la gauche et sur la droite

Pour effectuer une coupe mixte, reportez-vous aux explications des sections « Découpe à la presse », « Coupe d'onglet » et « Coupe en biseau ».

### 5. Coupe d'extrusion d'aluminium (Fig. 27)

Pour immobiliser des extrusions d'aluminium, utilisez des blocs entretoises ou des bouts de ferraille en procédant comme indiqué sur l'illustration pour éviter que l'aluminium ne se déforme. Utilisez un lubrifiant de coupe lorsque vous coupez des extrusions d'aluminium, pour éviter que l'aluminium ne s'accumule sur la lame.

### ATTENTION :

- N'essayez jamais de couper des extrusions d'aluminium épaisses ou rondes. Les extrusions d'aluminium épaisses peuvent se détacher pendant la coupe, et il n'est pas possible d'immobiliser solidement des extrusions d'aluminium rondes avec cet outil.

### 6. Parement de bois (Fig. 28)

L'utilisation d'un parement de bois aide à effectuer des coupes sans fente. Fixez le parement de bois au garde parallèle au moyen des orifices de ce dernier. Concernant les dimensions suggérées pour le parement de bois, reportez-vous à l'illustration.

### ATTENTION :

- Comme parement de bois, utilisez du bois droit et d'épaisseur uniforme.
- Fixez le parement de bois au garde parallèle à l'aide de vis. Les vis doivent être insérées de sorte que les têtes de vis se trouvent sous la surface du parement de bois.
- Une fois le parement de bois fixé, ne tournez pas le socle rotatif avec la poignée abaissée. La lame et/ou le parement de bois serait abîmé.

- La largeur de coupe maximale diminue en fonction de la largeur du parement de bois.

## 7. Coupes répétées de même longueur (Fig. 29)

Pour couper plusieurs pièces de la même longueur, sur une plage de 240 mm à 380 mm, l'utilisation de la plaque de fixation (accessoire en option) facilitera l'exécution plus efficace du travail. Installez la plaque de fixation sur le support (accessoire en option), tel qu'indiqué sur l'illustration. Alignez la ligne de coupe de la pièce sur le côté droit ou gauche de la rainure du plateau de découpe, et tout en retenant la pièce déplacez la plaque de fixation pour l'aligner parfaitement contre le bout de la pièce. Immobilisez ensuite la plaque de fixation au moyen de la vis. Lorsque vous n'utilisez pas la plaque de fixation, serrez la vis et dégagez la plaque de fixation.

## Transport de l'outil (Fig. 30)

Assurez-vous que l'outil est débranché. Immobilisez la lame sur un angle de biseau de 0° et le socle rotatif sur l'angle d'onglet de gauche maximal. Abaissez complètement la poignée et verrouillez-la dans cette position en enfonçant la broche d'arrêt. Transportez l'outil en le tenant par son manche de transport, tel qu'indiqué sur l'illustration. Si vous retirez les supports, le sac à poussières et autres accessoires, l'outil sera plus facile à transporter. (Fig. 31)

### ATTENTION :

- Fixez toujours toutes les parties mobiles avant de transporter l'outil.
- La broche d'arrêt est conçue pour le transport et le rangement de l'outil, jamais pour les travaux de coupe.

## MAINTENANCE

### ATTENTION :

- Assurez-vous toujours que l'outil est éteint et débranché avant d'effectuer tout travail d'inspection ou de maintenance.

### AVERTISSEMENT :

- Assurez-vous toujours que la lame est bien affûtée et propre pour qu'elle coupe de manière sûre et optimale.

## Réglage de l'angle de coupe

Cet outil a été réglé et aligné soigneusement en usine, mais son alignement peut avoir été affecté par une mauvaise manipulation. Si l'outil n'est pas bien aligné, procédez comme suit :

### 1. Angle de coupe d'onglet (Fig. 32)

Desserrez le manche qui retient le socle rotatif. Tournez le socle rotatif de sorte que l'index pointe sur 0° sur l'échelle de coupe d'onglet. Serrez le manche et, à l'aide de la clé, desserrez les boulons hexagonaux qui retiennent la garde parallèle. Si l'index ne pointe pas sur 0° sur l'échelle de coupe d'onglet, desserrez la vis qui retient l'index, puis déplacez et immobilisez la plaque de l'index de sorte que l'index pointe sur 0° sur l'échelle de coupe d'onglet. Abaissez complètement la poignée et verrouillez-la dans cette position en enfonçant la broche d'arrêt. Placez le côté de la lame à angle droit par rapport à la surface du garde parallèle à l'aide d'une règle triangulaire, d'une équerre de menuisier, etc. Vissez

ensuite les boulons hexagonaux du garde parallèle, dans l'ordre, en commençant du côté droit. (Fig. 33)

### 2. Angle de biseau

#### (1) Angle de biseau 0° (Fig. 34)

Abaissez complètement la poignée et verrouillez-la dans cette position en enfonçant la broche d'arrêt. Desserrez la poignée de serrage à l'arrière de l'outil. Desserrez l'écrou hexagonal et tournez de deux ou trois tours, dans le sens des aiguilles d'une montre, le boulon de réglage de l'angle de coupe en biseau 0° du côté droit du socle rotatif, pour incliner la lame vers la droite.

Placez soigneusement le côté de la lame à angle droit par rapport à la face supérieure du socle rotatif à l'aide d'une règle triangulaire, d'une équerre de menuisier, etc., en tournant dans le sens contraire des aiguilles d'une montre le boulon de réglage de l'angle de biseau 0°. Serrez ensuite l'écrou hexagonal pour immobiliser le boulon de réglage de l'angle de biseau 0°, puis serrez la poignée de serrage fermement. Assurez-vous que l'index du bras pointe sur 0° sur l'échelle de coupe en biseau. S'il ne pointe pas sur 0° sur l'échelle de coupe d'onglet, desserrez la vis qui retient l'index, puis déplacez et immobilisez la plaque de l'index de sorte que l'index pointe sur 0° sur l'échelle de coupe d'onglet. (Fig. 35 et 36)

#### (2) Angle de biseau 45° (Fig. 37)

Ne réglez sur l'angle de coupe en biseau 45° qu'après avoir réglé sur l'angle de coupe en biseau 0°. Pour régler sur l'angle de coupe en biseau 45° de gauche, desserrez la poignée de serrage et inclinez la lame complètement sur la gauche. Assurez-vous que l'index du bras pointe sur 45° sur l'échelle de coupe en biseau sur le bras. Si l'index ne pointe pas sur 45°, tournez le boulon de réglage d'angle de biseau 45° sur le côté gauche du bras jusqu'à ce que l'index pointe sur 45°.

## Remplacement des charbons (Fig. 38)

Retirez et vérifiez les charbons régulièrement.

Remplacez-les lorsqu'ils sont usés jusqu'à une longueur de 3 mm. Gardez les charbons propres et libres de glisser dans les porte-charbons. Les deux charbons doivent être remplacés en même temps. Utilisez uniquement des charbons identiques.

Retirez les bouchons de porte-charbon à l'aide d'un tournevis. Enlevez les charbons usés, insérez les neufs et remettez en place les bouchons de porte-charbon. (Fig. 39)

## Après l'utilisation

- Après l'utilisation, enlevez les copeaux et poussières qui adhèrent à l'outil, à l'aide d'un chiffon ou d'un objet similaire. Gardez le carter de lame propre en suivant les instructions de la section intitulée « Carter de lame ». Pour éviter que les pièces coulissantes ne rouillent, graissez-les avec de l'huile à machine.

Pour assurer la SÉCURITÉ et la FIABILITÉ du produit, toute réparation et tout travail d'entretien ou de réglage doivent être effectués par un Centre de service après-vente agréé Makita, avec des pièces de rechange Makita.

# DEUTSCH

## Erklärung der Gesamtdarstellung

- |                           |                            |  |
|---------------------------|----------------------------|--|
| 1. Schraubenschlüssel     | 19. Mittenabdeckung        | 37. Abstandsblock                      |
| 2. Knopf                  | 20. Sechskantschraube      | 38. Aluminiumprofil                    |
| 3. Zusatzplatte           | 21. Sägeblattgehäuse       | 39. Abstandsblock                      |
| 4. Schraube               | 22. Pfeil                  | 40. über 10 mm                         |
| 5. Auflage                | 23. Sägeblatt              | 41. über 460 mm                        |
| 6. Anschlagstift          | 24. Spindel                | 42. Loch                               |
| 7. Bolzen                 | 25. Flansch                | 43. Feststellplatte                    |
| 8. Blattschutz            | 26. Ring                   | 44. Halter                             |
| 9. Schlitzplatte          | 27. Staubbeutel            | 45. Anschlagstift                      |
| 10. Einstellschraube      | 28. Verschluss             | 46. Sechskantschrauben                 |
| 11. Drehteller-Oberfläche | 29. Halterung              | 47. Einstelldreieck                    |
| 12. Sägeblatthumfang      | 30. Drehteller             | 48. Einstellschraube für 0°-Rasterung  |
| 13. Gehrungsanschlag      | 31. Schraubenzwingenkopf   | 49. Drehteller-Oberfläche              |
| 14. Verriegelungshebel    | 32. Schraube               | 50. Einstellschraube für 45°-Rasterung |
| 15. Griff                 | 33. Schraubzwingenarm      | 51. Bürstenhalterkappe                 |
| 16. Zeiger                | 34. Stehbolzen             | 52. Schraubendreher                    |
| 17. Hebel                 | 35. Vertikal-Schraubklemme |  |
| 18. Ein/Aus-Schalter      | 36. Schraubstock           |  |

## TECHNISCHE ANGABEN

Modell	MLS100
Sägeblattdurchmesser	255 mm
Sägeblattbohrung	
Für alle Länder außerhalb Europas	25,4 mm
Für europäische Länder	30 mm
Maximale Schnitttiefe (H x B) mit 255-mm-Durchmesser Sägeblatt	

Neigungswinkel	Gehrungswinkel	
	0°	45° (links und rechts)
0°	75 mm x 130 mm	75 mm x 90 mm
45° (links)	48 mm x 120 mm	48 mm x 90 mm

Leerlaufgeschwindigkeit (min. <sup>-1</sup> )	4.200
Abmessungen (L x B x H)	610 mm x 485 mm x 515 mm
Nettogewicht	14,7 kg
Sicherheitsklasse	 II

- Aufgrund unserer fortschreitenden Forschungen und Entwicklungen sind Änderungen an den hier wiedergegebenen Angaben ohne Vorankündigung vorbehalten.
- Hinweis: Technische Daten können in den einzelnen Ländern unterschiedlich sein.

### Symbole

Im Folgenden sind die Symbole dargestellt, die im Zusammenhang mit diesem Werkzeug verwendet werden. Es ist wichtig, dass Sie deren Bedeutung vor dem Einsatz des Werkzeugs kennen.



..... Lesen Sie die vorliegende Betriebsanleitung.



..... **DOPPELT SCHUTZISOLIERT**



..... Um Verletzungen durch fliegende Splitter zu vermeiden, halten Sie den Sägekopf nach dem Durchführen der Schnitte abgesenkt, bis das Sägeblatt zum völligen Stillstand gekommen ist.



..... Bringen Sie Ihre Hände oder Finger nicht in die Nähe des Sägeblatts.



..... Zur Sicherheit des Bedienenden sollten Abfallstücke und Kleinteile vor Beginn der Arbeit aus dem Arbeitsbereich entfernt werden.



..... Stellen Sie den **ZUSATZANSCHLAG** immer auf die linke Position, wenn Sie linksseitige Neigungsschnitte durchführen. Zuwiderhandlungen können zu schweren Personenschäden führen.



..... Drehen Sie die Schraube im Uhrzeigersinn, um sie zu lösen.

## Verwendungszweck

Die Maschine ist für genaue Gerad- und Gehrungsschnitte in Holz vorgesehen. Mit entsprechenden Sägeblättern kann auch Aluminium gesägt werden.

ENE004-1

## Stromversorgung

Das Werkzeug darf nur an Stromquellen mit der auf dem Typenschild angegebenen Spannung und einphasigem Wechselstrom angeschlossen werden. Aufgrund der Doppelisolierung nach europäischem Standard kann das Werkzeug auch an Steckdosen ohne Erdungskabel betrieben werden.

ENF002-1

# ZUSÄTZLICHE SICHERHEITSREGELN FÜR DAS WERKZEUG

ENB040-3

1. **Tragen Sie während der Arbeit mit der Maschine stets eine Schutzbrille.**
2. **Halten Sie die Hände vom Weg des Sägeblatts fern. Vermeiden Sie jede Berührung des Sägeblattes bei laufender Maschine. Es kann noch immer schwere Verletzungen verursachen.**
3. **Vergewissern Sie sich, dass die Schutzvorrichtungen vorschriftsmäßig angebracht sind, bevor Sie das Gerät einschalten. Prüfen Sie vor jeder Inbetriebnahme, ob der Blattschutz korrekt schließt. Verwenden Sie die Säge niemals, wenn der Blattschutz sich nicht ungehindert bewegen und unverzüglich schließen lässt. Der bewegliche Blattschutz darf niemals in der geöffneten Stellung festgeklemmt oder festgebunden werden.**
4. **Führen Sie keine Freihandarbeiten aus.** Das Werkstück muss bei allen Arbeiten festgespannt werden und am Gehrungsanschlag sowie am Drehteller anliegen. Sichern Sie das Werkstück nicht mit den Händen.
5. **Fassen Sie nie um das Sägeblatt herum.**
6. **Schalten Sie das Gerät aus und warten Sie, bis das Sägeblatt zum Stillstand gekommen ist, bevor Sie das Werkstück bewegen oder Einstellungen an der Maschine vornehmen.**
7. **Ziehen Sie den Netzstecker, bevor Sie das Sägeblatt wechseln oder die Maschine warten.**
8. **Betreiben Sie das Gerät nicht in der Nähe leicht entzündlicher Flüssigkeiten oder Gase.**
9. **Überprüfen Sie das Sägeblatt vor dessen Gebrauch sorgfältig auf Risse oder sonstige Beschädigungen. Wechseln Sie ein gesprungenes oder beschädigtes Sägeblatt unverzüglich aus.**
10. **Verwenden Sie nur die für dieses Werkzeug vorgeschriebenen Flansche.**
11. **Achten Sie sorgfältig darauf, dass Welle, Flansche (insbesondere deren Montageflächen) und Schraube nicht beschädigt werden. Eine Beschädigung dieser Teile kann zu Schäden am Sägeblatt führen.**
12. **Vergewissern Sie sich, dass der Drehteller arretiert ist und sich während des Sägebetriebes nicht bewegt.**
13. **Zur Sicherheit des Bedienenden sollten Abfallstücke und Kleinteile vor Beginn der Arbeit aus dem Arbeitsbereich entfernt werden.**
14. **Vermeiden Sie es, in Nägel zu schneiden. Untersuchen Sie das Werkstück auf Nägel, und entfernen Sie diese ggf. vor Arbeitsbeginn.**
15. **Vergewissern Sie sich, dass die Spindelarretierung gelöst ist, bevor Sie das Gerät einschalten.**
16. **Achten Sie darauf, dass das Sägeblatt in seiner niedrigsten Position die Drehplatte nicht berührt.**
17. **Halten Sie den Handgriff mit festem Griff. Die Säge kann sich während des Anlauf- bzw. Bremsvorgangs leicht nach oben oder unten bewegen.**
18. **Achten Sie vor dem Einschalten des Werkzeugs darauf, dass das Sägeblatt das Werkstück nicht berührt.**
19. **Bevor Sie das Werkzeug auf das zu bearbeitende Werkstück ansetzen, lassen Sie es einige Zeit ohne Last laufen. Achten Sie auf Vibrationen und Schlägen; beides gibt Aufschluss über ein schlecht ausgewuchertes Messer oder kann auf einen nicht fachgerechten Einbau deuten.**
20. **Warten Sie mit der Arbeit, bis das Sägeblatt seine volle Drehzahl erreicht hat.**
21. **Unterbrechen Sie bei Auftreten von Störungen den Betrieb sofort.**
22. **Versuchen Sie nicht, den Schalter in der Ein-Stellung zu arretieren.**
23. **Arbeiten Sie immer mit voller Aufmerksamkeit, besonders bei sich wiederholenden, monotonen Bedienungsvorgängen. Lassen Sie sich nicht in falsche Sicherheit wiegen. Von Sägeblätter geht immer eine Gefahr aus.**
24. **Verwenden Sie nur die in dieser Anleitung empfohlenen Zubehörteile. Die Verwendung ungeeigneter Zubehörteile, wie z.B. Schleifscheiben, kann zu Verletzungen führen.**
25. **Verwenden Sie die Säge nicht, um andere Materialien als Holz, Aluminium oder ähnliche Werkstoffe zu sägen.**
26. **Schließen Sie Gehrungssägen beim Sägen an eine Staubabsaugvorrichtung an.**
27. **Wählen Sie die Sägeblätter entsprechend des zu schneidenden Materials.**
28. **Gehen Sie bei der Herstellung von Nuten besonders aufmerksam und umsichtig vor.**
29. **Wechseln Sie die Schlitzplatte bei Abnutzung aus.**
30. **Verwenden Sie keine Sägeblätter, die aus HSS-Stahl hergestellt wurden.**
31. **Bestimmter Staub, der beim Betrieb entsteht, enthält Chemikalien, die Krebs, Geburtsschäden und andere Fortpflanzungsschäden verursachen kann. Beispiele für diese Chemikalien sind unter anderem:**
  - **Blei aus mit Bleifarben gestrichenen Materialien und**
  - **Arsen und Chrom aus chemisch behandelten Balken. Ihr Risiko hängt davon ab, wie oft Sie sich diesen Arbeiten aussetzen. Reduzieren Sie die Häufigkeit, mit der Sie sich diesen Chemikalien aussetzen: Arbeiten Sie in einem gut belüfteten Bereich und arbeiten Sie mit den zugelassenen Schutzvorrichtungen, dazu gehören Staubmasken, die vor allem für die Filterung mikroskopischer Partikel vorgesehen sind.**

32. **Achten Sie darauf, dass das Sägeblatt immer scharf und sauber ist, um den Geräuschpegel niedrig zu halten.**
33. **Der Bediener sollte in der Verwendung, der Einstellung und dem Betrieb der Maschine ausreichend ausgebildet sein.**
34. **Verwenden Sie richtig geschliffene Sägeblätter. Beachten Sie die maximale Geschwindigkeit, die auf dem Sägeblatt angegeben ist.**
35. **Entfernen Sie keine Verschnitte oder andere Teile des Werkstücks aus dem Schneidebereich, während das Gerät läuft und sich der Sägekopf nicht in der Ruheposition befindet.**

## **BEWAHREN SIE DIESE ANWEISUNGEN SORGFÄLTIG AUF.**

### **MONTAGE (Abb. 1 und 2)**

Der Handgriff wird werkseitig vor dem Versand mit dem Anschlagstift in der Tiefstellung verriegelt. Lösen Sie die Schraube mit einem Steckschlüssel, der mit dem Gerät geliefert wurde, und stellen Sie den Sägekopf auf den rechten Winkel ein. Entfernen Sie die Schraube und sichern Sie den Sägekopf mit dem Knopf.

#### **Montage der Zusatzplatte (Abb. 3)**

Bringen Sie die Zusatzplatte an dem Loch in der Auflageplatte der Maschine an und sichern Sie sie, indem Sie die Schraube festziehen.

#### **Werkbankaufstellung**

Der Handgriff wird werkseitig vor dem Versand mit dem Anschlagstift in der Tiefstellung verriegelt. Lösen Sie die Verriegelung, indem Sie den Handgriff etwas herunterdrücken und den Anschlagstift herausziehen. (Abb. 4)

Diese Maschine ist mit vier Schrauben durch die Schraubenbohrungen im Auflagetisch der Maschine auf einer waagerechten und stabilen Oberfläche zu montieren. So verhindern Sie ein Umkippen und mögliche Verletzungen. (Abb. 5)

## **FUNKTIONSBESCHREIBUNG**

#### **ACHTUNG:**

- Schalten Sie das Werkzeug stets aus, und ziehen Sie den Stecker, bevor Sie Einstellungen oder eine Funktionsprüfung des Werkzeugs vornehmen.

#### **Blattschutz (Abb. 6)**

Wird der Handgriff abgesenkt, hebt sich der Blattschutz automatisch. Der Blattschutz ist mit einer Sprungfeder versehen und kehrt daher in seine Ausgangsstellung zurück, wenn der Schnitt vollendet ist und der Handgriff angehoben wird. **ENTFERNEN SIE NIEMALS DEN BLATTSCHUTZ ODER DIE FEDER, DIE MIT DEM SCHUTZ VERBUNDEN IST, UND MACHEN SIE SIE NICHT UNWIRKSAM.**

Im Interesse Ihrer eigenen Sicherheit sollten Sie den Blattschutz stets in ordnungsgemäßem Zustand halten. Etwaige Mängel des Blattschutzes müssen unverzüglich

behooben werden. Überprüfen Sie, dass der Schutz durch die Sprungfeder ordnungsgemäß in seine Position zurückkehrt. **VERWENDEN SIE DAS WERKZEUG NIEMALS, WENN DER BLATTSCHUTZ ODER DIE FEDER BESCHÄDIGT ODER DEFEKT SIND ODER ENTFERNT WURDEN. ANDERNFALLS IST DIE VERWENDUNG ÄUSSERST GEFÄHRLICH UND KANN SCHWERE PERSONENSCHÄDEN VERURSACHEN.**

Wenn der transparente Blattschutz schmutzig wird oder soviel Sägemehl an ihm haftet, dass das Sägeblatt nicht mehr ohne weiteres sichtbar ist, sollten Sie den Netzstecker der Säge ziehen und den Blattschutz mit einem feuchten Tuch sorgfältig reinigen. Verwenden Sie keine Lösungsmittel oder Reinigungsmittel auf Petroleumbasis zum Reinigen der Blattschutzes. Wenn der transparente Blattschutz schmutzig wird oder soviel Sägemehl an ihm haftet, dass das Sägeblatt und/oder das Werkstück nicht mehr ohne weiteres sichtbar sind, sollten Sie den Netzstecker der Säge ziehen und den Blattschutz mit einem feuchten Tuch sorgfältig reinigen. Verwenden Sie keine Lösungsmittel oder Reinigungsmittel auf Petroleumbasis zum Reinigen der Blattschutzes.

Wenn der Blattschutz stark verschmutzt ist und eine Sicht durch den Schutz nicht mehr möglich ist, verwenden Sie den mitgelieferten Schraubenschlüssel, um die Sechskantschraube zu lösen, mit der die Mittenabdeckung befestigt ist. Lösen Sie die Sechskantschraube, indem Sie sie gegen den Uhrzeigersinn drehen und heben Sie den Blattschutz und die Mittenabdeckung an. In dieser Position kann der Blattschutz umfassender und effizienter gereinigt werden. Wenn die Reinigung abgeschlossen ist, führen Sie die oben beschriebenen Schritte in umgekehrter Reihenfolge durch und sichern Sie die Schraube wieder. Entfernen Sie nicht die Feder, die den Blattschutz hält. Wenn sich der Blattschutz mit der Zeit oder durch Sonneneinstrahlung verfärbt, wenden Sie sich an ein Makita-Servicecenter, um einen neuen Blattschutz zu erhalten. **ENTFERNEN SIE DEN SCHUTZ NICHT UND MACHEN SIE IHN NICHT UNWIRKSAM. (Abb. 7)**

#### **Schlitzplatte (Abb. 8)**

Diese Maschine ist mit einer Schlitzplatte im Drehteller versehen, um ein Zersplittern an der Außenseite eines Schnittes zu minimieren. Wenn die Schlitzkerbe noch nicht werkseitig in die Schlitzplatte gesägt wurde, sollten Sie die Kerbe schneiden, bevor Sie das Werkzeug zum Schneiden eines Werkstücks verwenden. Schalten Sie das Werkzeug ein und senken Sie das Sägeblatt vorsichtig ab, um eine Kerbe in die Schlitzplatte zu sägen.

#### **Beibehaltung der maximalen Schnittleistung**

Diese Maschine ist werkseitig so eingestellt, dass die maximale Schnittleistung mit einem 255-mm-Sägeblatt erreicht wird.

Überprüfen Sie beim Anbringen eines neuen Sägeblatts den unteren Sägeblattanschlag und passen Sie ihn bei Bedarf wie folgt an:

Zunächst muss das Werkzeug ausgesteckt werden. Senken Sie den Handgriff völlig ab. Drehen Sie die Einstellschraube mit dem Schraubenschlüssel, bis der Sägeblattumfang am Berührungspunkt von

Gehrigungsanschlag-Vorderseite und Drehteller-Oberfläche geringfügig unterhalb der Drehteller-Oberfläche liegt. **(Abb. 9)**

Drehen Sie das Sägeblatt bei abgezogenem Netzstecker von Hand, während Sie den Handgriff in der Tiefstellung halten, um sicherzugehen, dass das Sägeblatt keinen Teil des Auflagetisches berührt. Bei Bedarf ist eine Nachjustierung vorzunehmen. **(Abb. 10)**

#### **ACHTUNG:**

- Vergewissern Sie sich nach der Montage eines neuen Sägeblatts stets, dass das Sägeblatt in der Tiefstellung des Handgriffs keinen Teil des Auflagetisches berührt. Nehmen Sie diese Überprüfung stets bei abgezogenem Netzstecker vor.

### **Einstellen des Gehrigungswinkels (Abb. 11)**

Lösen Sie den Griff durch Drehung gegen den Uhrzeigersinn. Drehen Sie den Drehteller, während Sie den Arretierhebel niederdrücken. Bewegen Sie den Griff, bis der Zeiger auf den gewünschten Winkel der Gehrigungswinkelskala zeigt, und ziehen Sie dann den Griff durch Drehung im Uhrzeigersinn fest.

#### **ACHTUNG:**

- Bringen Sie den Handgriff in die Hochstellung, bevor Sie den Drehteller drehen.
- Sichern Sie den Drehteller nach jeder Änderung des Gehrigungswinkels stets durch Anziehen des Griffs gegen Verdrehen.

### **Einstellen des Neigungswinkels (Abb. 12 und 13)**

Zum Einstellen des Neigungswinkels lösen Sie den Knopf an der Rückseite der Maschine gegen den Uhrzeigersinn.

Schwenken Sie den Handgriff nach links, um den Sägekopf zu neigen, bis der Zeiger auf den gewünschten Winkel der Neigungswinkelskala zeigt.

Ziehen Sie dann den Knopf im Uhrzeigersinn an, um den Arm ordnungsgemäß zu befestigen.

#### **ACHTUNG:**

- Bringen Sie den Handgriff in die Hochstellung, bevor Sie den Sägekopf neigen.
- Sichern Sie den Arm nach jeder Änderung des Neigungswinkels stets durch Anziehen des Knopfs im Uhrzeigersinn.

### **Bedienung des Schalters**

#### **ACHTUNG:**

- Achten Sie vor dem Einstecken des Werkzeug-Netzsteckers darauf, dass sich der Ein/Aus-Schalter korrekt bedienen lässt und beim Loslassen in die Position „OFF“ (AUS) zurückkehrt.

#### **Für europäische Länder (Abb. 14)**

Betätigen Sie zum Starten des Werkzeugs den Hebel an der rechten Seite und ziehen Sie dann am Ein/Aus-Schalter. Lassen Sie zum Ausschalten des Werkzeugs den Ein/Aus-Schalter los.

#### **Für alle Länder außer europäischen Ländern (Abb. 15)**

Betätigen Sie zum Starten des Werkzeugs einfach den Ein/Aus-Schalter. Lassen Sie zum Ausschalten des Werkzeugs den Ein/Aus-Schalter los.

#### **WARNUNG:**

- Verwenden Sie das Werkzeug NIEMALS ohne eine voll funktionstüchtige Auslöseschaltung. Jedes Werkzeug mit einer nicht funktionierenden Auslöseschaltung ist HÖCHST GEFÄHRLICH und muss vor dem weiteren Gebrauch repariert werden.

## **MONTAGE**

#### **ACHTUNG:**

- Schalten Sie das Werkzeug stets aus, und ziehen Sie den Stecker, bevor Sie irgendwelche Arbeiten am Werkzeug durchführen.

### **Montage und Demontage des Sägeblatts**

#### **ACHTUNG:**

- Schalten Sie das Werkzeug aus und ziehen Sie den Stecker, bevor Sie das Sägeblatt einsetzen oder entfernen.
- Verwenden Sie nur den mitgelieferten Schraubenschlüssel von Makita zum Demontieren oder Montieren des Sägeblatts. Andernfalls besteht die Gefahr, dass die Sechskantschraube zu stark oder zu schwach angezogen wird. Dies kann zu Verletzungen führen.

Belassen Sie den Handgriff in der Hochstellung, wenn Sie das Sägeblatt demontieren oder montieren. **(Abb. 16)**

Zum Demontieren des Sägeblatts lösen Sie zunächst die Sechskantschraube, mit der die Mittenabdeckung befestigt ist, durch Drehung gegen den Uhrzeigersinn mit dem Schraubenschlüssel. Dann heben Sie Blattschutz und Mittenabdeckung an. **(Abb. 17)**

Blockieren Sie die Spindel durch Drücken der Spindelarretierung, und lösen Sie die Sechskantschraube durch Drehung des Schraubenschlüssels im Uhrzeigersinn. Nehmen Sie dann Sechskantschraube, Außenflansch und Sägeblatt ab. **(Abb. 18)**

Zum Montieren schieben Sie das Sägeblatt vorsichtig auf die Spindel, wobei Sie darauf achten, dass der Pfeil auf dem Sägeblatt in dieselbe Richtung zeigt wie der Pfeil auf dem Sägeblattgehäuse. Bringen Sie Außenflansch und Sechskantschraube an, und ziehen Sie dann die Sechskantschraube (linksgängig) bei gedrückter Spindelarretierung durch Drehung des Schraubenschlüssels gegen den Uhrzeigersinn fest. **(Abb. 19 und 20)**

#### **ACHTUNG:**

- Der Ring mit einem äußeren Durchmesser von 25,4 mm oder 30 mm ist werkseitig auf der Spindel befestigt. Bevor Sie das Sägeblatt auf der Spindel anbringen, sollten Sie immer sicherstellen, dass der richtige Ring für das Spindelloch des Sägeblatts, das Sie verwenden möchten, auf der Spindel angebracht ist.

Bringen Sie Außenflansch und Sechskantschraube an, und ziehen Sie dann die Sechskantschraube (linksgängig) bei gedrückter Spindelarretierung durch Drehung des Schraubenschlüssels gegen den Uhrzeigersinn fest.

Bringen Sie Blattschutz und Mittenabdeckung wieder in ihre Ausgangsstellung. Ziehen Sie dann die Sechskantschraube zur Sicherung der Mittenabdeckung

im Uhrzeigersinn an. Senken Sie den Handgriff ab, um zu prüfen, ob sich der Blattschutz einwandfrei bewegt. Stellen Sie sicher, dass die Spindelarretierung die Spindel gelöst hat, bevor Sie einen Schnitt machen.

## **Staubsaack (Abb. 21 und 22)**

Der Staubsaack ermöglicht sauberes Arbeiten und einfaches Staubsammeln. Zum Anbringen wird der Staubsaack auf den Absaugstutzen geschoben.

Wenn der Staubbeutel etwa halb voll ist, sollten Sie ihn vom Werkzeug entfernen und den Verschluss herausziehen. Leeren Sie den Inhalt des Staubbeutels, und schnippen Sie leicht dagegen, damit sich Partikel lösen, die möglicherweise an der Innenseite haften und eine weitere Sammlung behindern können.

### **HINWEIS:**

Wenn Sie einen Makita-Staubsauger an Ihre Säge anschließen, können Sie effizienter und sauberer arbeiten.

## **Sicherung des Werkstücks**

### **WARNUNG:**

- Die einwandfreie Sicherung des Werkstücks mit der Schraubzwinde ist äußerst wichtig. Nachlässigkeit in diesem Punkt kann zu einer Beschädigung der Maschine und/oder Zerstörung des Werkstücks führen. **ES BESTEHT VERLETZUNGSGEFAHR.** Außerdem sollte der Sägekopf nach erfolgtem Schnitt erst nach völligem Stillstand des Sägeblatts angehoben werden.

### **ACHTUNG:**

- Lange Werkstücke müssen stets auf Höhe der Drehteller-Oberfläche abgestützt werden. Verlassen Sie sich nicht nur auf den vertikalen und/oder horizontalen Schraubstock, um das Werkstück zu sichern.
- Dünne Materialien sinken leicht ab. Stützen Sie Werkstücke über die gesamte Länge ab, um zu verhindern, dass das Sägeblatt eingeklemmt wird und **ZURÜCKSCHLÄGT. (Abb. 23)**

## **Vertikal-Schraubklemme (Abb. 24)**

Die Vertikal-Schraubklemme kann an zwei Positionen entweder auf der linken oder rechten Seite des Gehrungsanschlags montiert werden. Setzen Sie den Stehbolzen in die Bohrung des Gehrungsanschlags ein, und sichern Sie ihn durch Anziehen der Schraube.

Stellen Sie den Schraubklemmenarm auf die Abmessungen des Werkstücks ein, und sichern Sie ihn durch Anziehen der Schraube. Vergewissern Sie sich, dass keine Maschinenteile mit der Schraubklemme in Berührung kommen, wenn der Handgriff ganz abgesenkt wird. Falls irgendwelche Teile mit der Schraubklemme in Berührung kommen, ist die Schraubklemme zu versetzen. Drücken Sie das Werkstück flach gegen Gehrungsanschlag und Drehteller. Bringen Sie das Werkstück in die gewünschte Schnittposition, und sichern Sie es einwandfrei durch Anziehen des Schraubklemmenknopfes.

### **ACHTUNG:**

- Das Werkstück muss bei allen Arbeiten festgespannt werden und am Gehrungsanschlag sowie am Drehteller anliegen.

# **BETRIEB**

### **ACHTUNG:**

- Achten Sie vor der Verwendung darauf, dass der Handgriff aus der abgesenkten Stellung gelöst wird, indem Sie den Anschlagstift ziehen.
- Achten Sie vor dem Einschalten des Werkzeugs darauf, dass das Sägeblatt das Werkstück usw. nicht berührt.
- Üben Sie beim Schneiden keinen übermäßigen Druck auf den Handgriff aus. Zu starker Druck kann zu Überlastung des Motors und/oder verminderter Schnittleistung führen. Drücken Sie den Griff nur mit soviel Kraft nach unten, wie für einen sauberen Schnitt notwendig ist und ohne dass die Geschwindigkeit des Sägeblatts deutlich verringert wird.
- Drücken Sie den Griff vorsichtig nach unten, um den Schnitt auszuführen. Wenn der Griff mit Gewalt nach unten gedrückt wird oder wenn seitliche Kräfte darauf einwirken, vibriert das Sägeblatt und hinterlässt eine Riefe (Sägeriefe) im Werkstück, wodurch die Genauigkeit des Schnitts beeinflusst wird.

### **1. Kappschnitt (Abb. 25)**

Sichern Sie das Werkstück mit der Schraubzwinde. Schalten Sie das Werkzeug ein, ohne dass das Sägeblatt Kontakt hat, und warten Sie, bis das Sägeblatt seine volle Drehzahl erreicht, bevor Sie es absenken. Senken Sie dann den Handgriff sachte bis zur Tiefstellung ab, um das Werkstück zu schneiden. Sobald der Schnitt beendet ist, schalten Sie die Maschine aus und **WARTEN, BIS DAS SÄGEBLATT ZUM VÖLLIGEN STILLSTAND GEKOMMEN IST**, bevor Sie den Sägekopf wieder ganz anheben.

### **2. Gehrungsschnitt**

Nehmen Sie auf den vorhergehenden Abschnitt „Einstellen der Gehrungswinkels“ Bezug.

### **3. Neigungsschnitt (Abb. 26)**

Lösen Sie den Knopf, und neigen Sie den Sägekopf auf den eingestellten Neigungswinkel. (Nehmen Sie auf den vorhergehenden Abschnitt „Einstellen des Neigungswinkels“ Bezug.) Achten Sie darauf, den Knopf wieder fest anzuziehen, um den gewählten Neigungswinkel zu sichern. Sichern Sie das Werkstück mit einer Schraubzwinde. Schalten Sie das Werkzeug ein, ohne dass das Sägeblatt Kontakt hat, und warten Sie, bis das Sägeblatt seine volle Drehzahl erreicht. Senken Sie dann den Handgriff unter Druckausübung in Richtung des Sägeblatts sachte bis zur Tiefstellung ab. Sobald der Schnitt beendet ist, schalten Sie die Maschine aus und **WARTEN, BIS DAS SÄGEBLATT ZUM VÖLLIGEN STILLSTAND GEKOMMEN IST**, bevor Sie den Sägekopf wieder ganz anheben.

### **ACHTUNG:**

- Achten Sie bei Neigungsschnitten immer darauf, dass sich das Sägeblatt in Neigungsrichtung nach unten bewegt. Halten Sie die Hände vom Weg des Sägeblatts fern.
- Bei Neigungsschnitten kann es vorkommen, dass das abgeschnittene Stück an der Seitenfläche des Sägeblatts aufliegt. Durch Anheben des Sägekopfes bei noch laufender Maschine kann das Werkstück vom Sägeblatt erfasst werden, was zu gefährlichem

Herausschleudern von Bruchstücken führen kann. Der Sägekopf darf erst angehoben werden, nachdem das Sägeblatt zum völligen Stillstand gekommen ist.

- Üben Sie den Druck beim Herunterdrücken des Handgriffs immer nur parallel zum Sägeblatt aus. Wenn der Druck während eines Schnitts nicht parallel zum Sägeblatt ausgeübt wird, kann sich der Winkel des Sägeblatts verändern, worunter die Genauigkeit des Schnitts leidet.

#### 4. Compoundsschnitt

Unter Compoundsschnitt versteht man das Schneiden eines Werkstücks mit gleichzeitiger Gehrungs- und Neigungswinkeinstellung. Die Kombinationsmöglichkeiten entnehmen Sie bitte der Tabelle.

Neigungswinkel	Gehrungswinkel
45°	Links und rechts 0 - 45°

Wenn Sie Compoundsschnitte ausführen, beachten Sie die Erläuterungen unter „Kappschnitt“, „Gehrungsschnitt“ und „Neigungsschnitt“.

#### 5. Schneiden von dünnwandigen Leichtmetallprofilen (Abb. 27)

Zur Werkstücksicherung verwenden Sie – wie in der Abbildung gezeigt – Abstandsblöcke oder Zulagen aus Hartholz, um Verformungen des Materials während des Schneidevorgangs zu vermeiden. Benutzen Sie beim Schneiden von dünnwandigen Aluminiumprofilen eine Schneidflüssigkeit, damit sich keine Aluminium-Rückstände am Sägeblatt ansammeln.

#### ACHTUNG:

- Vollmaterialien mit großem Querschnitt und Rundmaterial dürfen nicht bearbeitet werden. Beim Sägevorgang kann sich dickes Material lösen und Rundmaterial kann mit diesem Werkzeug nicht sicher befestigt werden.

#### 6. Zwischenbrette (Abb. 28)

Durch das Benutzen eines Zwischenbretts können Sie die Werkstücke ausrissfrei sägen. Die Bohrungen im Gehrungsanschlag dienen als Befestigungshilfe für ein Zwischenbrett. Hinweise für ein Zwischenbrett entnehmen Sie der Abbildung der Abmessungen.

#### ACHTUNG:

- Benutzen Sie glatt gehobeltes Holz gleichmäßiger Dicke als Zwischenbrett.
- Verwenden Sie Schrauben, um das Holz auf der Seite des Gehrungsanschlags anzubringen. Die Schrauben sollten so angebracht werden, dass die Schraubenköpfe in der Oberfläche des Zwischenbretts versenkt sind.
- Wenn das Zwischenbrett angebracht ist, drehen Sie den Drehteller nicht, wenn der Griff abgesenkt ist. Das Sägeblatt und/oder das Zwischenbrett können sonst beschädigt werden.
- Die maximale Sägebreite wird durch die Breite des Zwischenbretts kleiner.

#### 7. Wiederholtes Schneiden auf gleiche Länge (Abb. 29)

Wenn Sie mehrere Werkstücke innerhalb des Bereichs von 240 mm bis 380 mm auf die gleiche Länge schneiden, ist die Verwendung der

Anschlagplatte (Sonderzubehör) zu empfehlen, um rationeller zu arbeiten. Montieren Sie die Anschlagplatte am Auflagebügel (Sonderzubehör), wie in der Abbildung gezeigt. Richten Sie die Schnittlinie des Werkstücks entweder auf die linke oder rechte Kante der Nut in der Schlitzplatte aus, und schieben Sie die Anschlagplatte bündig gegen das Ende des Werkstücks, während Sie das Werkstück am Verrutschen hindern. Sichern Sie dann die Anschlagplatte mit der Flügelschraube. Wenn Sie die Anschlagplatte nicht benutzen, lösen Sie die Flügelschraube, um die Anschlagplatte zur Seite zu schieben.

#### Tragen der Maschine (Abb. 30)

Vergewissern Sie sich, dass der Netzstecker des Werkzeugs abgezogen ist. Sichern Sie den Sägekopf in der 0°-Neigungswinkelstellung und den Drehteller in der vollen Gehrungswinkelstellung. Senken Sie den Handgriff ganz ab, und arretieren Sie ihn in der Tiefstellung durch Einschieben des Anschlagstifts. Halten Sie die Maschine am Tragegriff, wie in der Abbildung gezeigt. Wenn Sie Auflageplatten, den Staubbeutel usw. entfernen, können Sie das Werkzeug leichter tragen. (Abb. 31)

#### ACHTUNG:

- Sichern Sie immer alle beweglichen Teile, bevor Sie das Werkzeug transportieren.
- Der Anschlagstift dient nur zum Tragen und Lagern und ist nicht für den Schneidebetrieb gedacht.

## WARTUNG

#### ACHTUNG:

- Schalten Sie das Werkzeug stets aus und ziehen Sie den Stecker, bevor Sie Prüfungen oder Wartungsarbeiten am Werkzeug durchführen.

#### WARNUNG:

- Achten Sie für die beste und sicherste Leistung darauf, dass das Sägeblatt immer scharf und sauber ist.

### Einstellung des Schnittwinkels

Diese Maschine wurde im Werk sorgfältig eingestellt und justiert. Die Einstellungen können jedoch durch Transporteinflüsse oder unsachgemäße Behandlung beeinträchtigt worden sein. Sollte Ihre Maschine einer Nachjustierung bedürfen, gehen Sie folgendermaßen vor:

#### 1. Gehrungswinkel (Abb. 32)

Lösen Sie den Spanngriff, mit dem der Drehteller gesichert wird. Drehen Sie dann den Drehteller, sodass der Zeiger auf 0° auf der Gehrungswinkelskala zeigt. Ziehen Sie den Griff an und lösen Sie die Sechskantschrauben, die den Gehrungsanschlag halten, mit dem Schraubschlüssel. Wenn der Zeiger nicht auf 0° auf der Gehrungswinkelskala zeigt, lösen Sie die Schraube, die den Zeiger sichert, und verschieben und sichern Sie die Zeigerplatte so, dass der Zeiger auf 0° auf der Gehrungswinkelskala zeigt. Senken Sie den Handgriff ganz ab, und arretieren Sie ihn in der Tiefstellung durch Einschieben des Anschlagstifts. Bringen Sie die Seitenfläche des Sägeblatts mit Hilfe eines Einstelldreiecks, Anschlagwinkels usw. in den rechten Winkel mit der Fläche des Gehrungsanschlags. Ziehen Sie dann die



Sechskantschrauben des Gehrungsanschlags von rechts der Reihe nach fest. **(Abb. 33)**

## 2. Neigungswinkel

### (1) 0° Neigungswinkel **(Abb. 34)**

Senken Sie den Handgriff ganz ab, und arretieren Sie ihn in der Tiefstellung durch Einschieben des Anschlagstifts. Lösen Sie den Knopf an der Rückseite der Maschine. Lösen Sie die Sechskantschraube und drehen Sie die Einstellschraube für 0°-Rasterung auf der rechten Seite des Drehtellers um zwei bis drei Umdrehungen entgegen dem Uhrzeigersinn, um den Sägekopf nach rechts zu neigen.

Bringen Sie die Seitenfläche des Sägeblatts mit Hilfe eines Einstellendreiecks, Anschlagwinkels usw. in den rechten Winkel mit der Drehteller-Oberfläche, indem Sie die Einstellschraube für 0°-Rasterung gegen den Uhrzeigersinn drehen. Ziehen Sie dann die Sechskantschraube fest, um den 0°-Neigungswinkel zu sichern, und ziehen Sie den Knopf sicher fest. Vergewissern Sie sich, dass der Zeiger auf dem Arm auf 0° auf der Neigungswinkelskala zeigt. Wenn der Zeiger nicht auf 0° auf der Neigungswinkelskala zeigt, lösen Sie die Schraube, die den Zeiger sichert, und verschieben und sichern Sie die Zeigerplatte so, dass der Zeiger auf 0° auf der Neigungswinkelskala zeigt. **(Abb. 35 und 36)**

### (2) 45° Neigungswinkel **(Abb. 37)**

Diese Einstellung kann erst nach erfolgter Einstellung des 0°-Neigungswinkels durchgeführt werden. Zum Einstellen des linksseitigen 45°-Neigungswinkels lösen Sie den Knopf und neigen den Sägekopf vollständig nach links. Vergewissern Sie sich, dass der Zeiger am Arm auf 45° der Neigungswinkelskala am Arm zeigt. Falls der Zeiger nicht auf 45° zeigt, drehen Sie die Einstellschraube für 45°-Rasterung auf der linken Seite des Arms, bis der Zeiger auf 45° zeigt.

## Ersetzen der Kohlebürsten **(Abb. 38)**

Entfernen und überprüfen Sie die Kohlebürsten in regelmäßigen Abständen. Wenn sie bis auf eine Länge von 3 mm abgenutzt sind, müssen sie erneuert werden. Halten Sie die Kohlebürsten sauber und sorgen Sie dafür, dass sie locker in den Halterungen liegen. Beide Kohlebürsten sollten gleichzeitig ersetzt werden. Verwenden Sie nur identische Kohlebürsten.

Verwenden Sie einen Schraubendreher, um die Bürstenhalterkappen zu entfernen. Entnehmen Sie die verbrauchten Kohlebürsten, legen Sie die neuen ein und bringen Sie die Bürstenhalterkappen wieder fest an.

**(Abb. 39)**

## Nach der Verwendung

- Wischen Sie nach der Verwendung Splitter und Staub, die am Werkzeug haften, mit einem Tuch oder etwas ähnlichem ab. Halten Sie den Blattschutz entsprechend den Hinweisen im vorhergehenden Abschnitt „Blattschutz“ sauber. Schmieren Sie die gleitenden Teile mit Maschinenöl ein, um ein Rosten zu verhindern.

Um die SICHERHEIT und ZUVERLÄSSIGKEIT des Produkts zu gewährleisten, sollten Reparaturen, Wartungsarbeiten und Einstellungen nur durch von Makita autorisierte Servicecenter durchgeführt und immer Makita-Ersatzteile verwendet werden.

**Spiegazione della vista generale**

- |  |                              |  |
|--|------------------------------|--|
| 1. Chiave                                    | 19. Coperchio centrale       | 38. Estrusione in alluminio                    |
| 2. Manopola                                  | 20. Bullone esagonale        | 39. Distanziatore                              |
| 3. Piastra ausiliaria                        | 21. Contenitore della lama   | 40. Oltre 10 mm                                |
| 4. Vite                                      | 22. Freccia                  | 41. Oltre 460 mm                               |
| 5. Base                                      | 23. Lama della sega          | 42. Foro                                       |
| 6. Perno di fermo                            | 24. Mandrino                 | 43. Piastra di chiusura                        |
| 7. Bullone                                   | 25. Flangia                  | 44. Supporto                                   |
| 8. Coprilama                                 | 26. Anello                   | 45. Perno di fermo                             |
| 9. Pannello di taglio                        | 27. Sacchetto per la polvere | 46. Bulloni esagonali                          |
| 10. Bullone di regolazione                   | 28. Fermaglio                | 47. Squadra triangolare                        |
| 11. Superficie superiore della base girevole | 29. Sostegno                 | 48. Bullone di regolazione 0°                  |
| 12. Limite della lama                        | 30. Base girevole            | 49. Superficie superiore della base girevole   |
| 13. Guida                                    | 31. Manopola della morsa     | 50. Bullone di regolazione per angolazione 45° |
| 14. Levetta di blocco                        | 32. Vite                     | 51. Coperchio portaspazzola                    |
| 15. Ganascia                                 | 33. Braccio della morsa      | 52. Cacciavite                                 |
| 16. Indicatore                               | 34. Asta della morsa         |  |
| 17. Leva                                     | 35. Morsa verticale          |  |
| 18. Interruttore                             | 36. Morsa                    |  |
|  | 37. Distanziatore            |  |

**CARATTERISTICHE TECNICHE**

Modello	MLS100
Diametro lama	255 mm
Diametro foro	
Per tutti i paesi esterni all'Unione Europea	25,4 mm
Per i paesi europei	30 mm
Capacità di taglio massima (A x L) con lama di 255 mm di diametro	

Angolazione di taglio obliquo	Angolazione di taglio circolare	
	0°	45° (sinistra e destra)
0°	75 mm x 130 mm	75 mm x 90 mm
45° (sinistra)	48 mm x 120 mm	48 mm x 90 mm

Velocità senza carico (min <sup>-1</sup> )	4.200
Dimensioni (L x L x A)	610 mm x 485 mm x 515 mm
Peso	14,7 kg
Classe di sicurezza	

- Le caratteristiche tecniche riportate di seguito sono soggette a modifiche senza preavviso in virtù del nostro programma continuo di ricerca e sviluppo.
- Nota: le caratteristiche tecniche possono differire da paese a paese.

**Simboli**

END217-2

Il seguente elenco riporta i simboli relativi al presente utensile. È importante comprenderne il significato prima di utilizzare l'utensile.



..... Evitare di porre le mani o le dita in prossimità della lama.



..... Per ragioni di sicurezza, rimuovere trucioli, frammenti e simili dal banco prima di utilizzare l'utensile.



..... Impostare sempre la guida secondaria nella posizione sinistra per tagli obliqui verso sinistra. La mancata osservanza di questa precauzione può provocare l'infortunio dell'operatore.



..... Per allentare il bullone, ruotarlo in senso orario.



..... Leggere il manuale di istruzioni.



..... ISOLAMENTO DOPPIO



..... Per evitare infortuni dovuti ai residui di lavorazione, continuare a tenere la testa della sega rivolta verso il basso dopo il taglio, fino al completo arresto della lama.

## Uso previsto

ENE004-1

L'utensile è destinato alla pratica di tagli precisi, diritti e circolari, nel legno. Sono disponibili lame della sega adatte al taglio dell'alluminio.

## Alimentazione

ENF002-1

L'utensile deve essere collegato a una presa di corrente con la stessa tensione di quella indicata sulla targhetta e può funzionare soltanto con corrente alternata monofase. L'utensile è dotato di doppio isolamento in osservanza alle norme europee, pertanto può essere usato anche con prese di corrente sprovviste della messa a terra.

## REGOLE DI SICUREZZA AGGIUNTIVE PER L'UTENSILE

ENB040-3

1. **Indossare una protezione visiva.**
2. **Tenere le mani lontane dal percorso compiuto dalla lama della sega. Evitare il contatto con una lama in rotazione. Diversamente, è possibile subire gravi infortuni.**
3. **Non utilizzare la sega senza applicare le protezioni. Prima di utilizzare la sega, assicurarsi che il coprilama sia posizionato correttamente. Non utilizzare la sega se il coprilama non è libero di muoversi e di chiudersi all'istante. Non bloccare il coprilama nella posizione aperta.**
4. **Non eseguire alcuna operazione a mani nude.** Il pezzo in lavorazione deve essere fissato in modo saldo sulla base girevole e sulla guida con la morsa durante tutte le operazioni. Non tenere mai il pezzo in lavorazione con la mano.
5. **Non rimanere in prossimità della lama della sega.**
6. **Spegner l'utensile e attendere l'arresto della lama prima di spostare il pezzo in lavorazione o cambiare le impostazioni.**
7. **Scollegare l'utensile prima di cambiare la lama o di effettuare la manutenzione.**
8. Non utilizzare l'utensile in presenza di liquidi o gas infiammabili.
9. Prima dell'uso, verificare lo stato della lama, accertandosi che non vi siano crepe o danni. Sostituire immediatamente la lama che presenta crepe o danni.
10. Usare soltanto flange specifiche per questo utensile.
11. Prestare attenzione a non danneggiare l'asta, le flange (soprattutto nella superficie di installazione) o il bullone. Se queste parti sono danneggiate, la lama potrebbe rompersi.
12. Accertarsi che la base girevole sia fissata in modo corretto, così che non si sposti durante le operazioni.
13. Per ragioni di sicurezza, rimuovere trucioli, frammenti e simili dal banco prima di utilizzare l'utensile.
14. Evitare di tagliare chiodi. Prima della sessione di lavoro, controllare e rimuovere tutti i chiodi dal pezzo in lavorazione.
15. Verificare che il blocco dell'albero sia stato rimosso prima di attivare l'interruttore.
16. Accertarsi che la lama non entri in contatto con la base girevole nella sua parte inferiore.
17. Tenere l'impugnatura in modo saldo. La sega si sposta leggermente in alto o in basso durante le fasi di accensione e arresto.

18. Verificare che la lama non tocchi il pezzo in lavorazione prima che l'interruttore sia attivato.
19. Prima di usare l'utensile, lasciarlo funzionare a vuoto per qualche minuto. Prestare attenzione a vibrazioni e oscillazioni, che potrebbero indicare difetti di installazione o che la lama è mal bilanciata.
20. Attendere che il disco raggiunga la velocità massima prima di iniziare le operazioni di taglio.
21. Terminare immediatamente l'uso in presenza di anomalie.
22. Non tentare di bloccare l'interruttore nella posizione ON.
23. Rimanere vigili durante le operazioni, in particolare modo se sono ripetitive e monotone. Non adagiarsi in un falso senso di sicurezza. Le lame sono impietose.
24. Utilizzare esclusivamente gli accessori indicati nel presente manuale. L'impiego di accessori non corretti, quali dischi abrasivi, può provocare infortuni.
25. **Non utilizzare la sega per il taglio di materiali diversi da legno, alluminio e simili.**
26. **Durante le operazioni, collegare la sega circolare a un dispositivo per la raccolta della polvere.**
27. **Scegliere la lama della sega in relazione al materiale da tagliare.**
28. **Prestare attenzione durante la realizzazione di scanalature.**
29. **Sostituire il pannello di taglio se è usurato.**
30. **Non utilizzare lame prodotte con acciaio rapido.**
31. **Alcune polveri prodotte durante l'impiego contengono componenti chimici che provocano il cancro, difetti di nascita e altri danni riproduttivi. Tra tali sostanze rientrano:**
  - Piombo derivante da materiali trattati con vernici al piombo.
  - Arsenico e cromo derivanti da legname trattato chimicamente. Il rischio relativo a tali esposizioni varia in funzione della frequenza della specifica attività. Per ridurre l'esposizione a tali sostanze chimiche: lavorare in un'area ben ventilata utilizzando i dispositivi di sicurezza approvati, ad esempio le maschere antipolvere appositamente progettate per filtrare particelle microscopiche.
32. **Per ridurre il rumore emesso, assicurarsi che la lama sia sempre affilata e pulita.**
33. **L'operatore deve sostenere un'adeguata formazione per l'uso, la regolazione e la gestione dell'utensile.**
34. **Utilizzare lame correttamente affilate. Rispettare la velocità massima indicata sulla lama.**
35. **Evitare di rimuovere frammenti o residui dal pezzo in lavorazione nell'area di taglio quando l'utensile è acceso e la testa della sega non è nella posizione di riposo.**

## CONSERVARE LE PRESENTI ISTRUZIONI.

## INSTALLAZIONE (Fig. 1 e 2)

Alla spedizione, l'impugnatura dell'utensile viene bloccata nella posizione abbassata con il perno di fermo. Allentare il bullone con la chiave in dotazione con lo strumento e

spostare la testa della sega ad angolo retto. Rimuovere il bullone e fissare la tesa della sega con la manopola.

## Installazione della piastra ausiliaria (Fig. 3)

Installare la piastra ausiliaria utilizzando il foro nella base dell'utensile; per fissarla, serrare la vite.

## Montaggio su banco

Alla spedizione, l'impugnatura dell'utensile viene bloccata nella posizione abbassata con il perno di fermo.

Sbloccare il perno di fermo abbassando leggermente l'impugnatura e tirando il perno (Fig. 4).

L'utensile deve essere bloccato con quattro bulloni su una superficie stabile e in piano utilizzando i fori per bulloni nella base dell'utensile. Questa precauzione permette di impedire il rovesciamento ed eventuali infortuni (Fig. 5).

## DESCRIZIONE FUNZIONALE

### ATTENZIONE:

- Prima di regolare o controllare le funzioni dell'utensile, verificare sempre di averlo spento e scollegato dall'alimentazione.

## Coprilama (Fig. 6)

Abbassando l'impugnatura, il coprilama si solleva automaticamente. Il coprilama è caricato a molla, pertanto ritorna nella sua posizione originale una volta completato il taglio e sollevata l'impugnatura. **NON RIMUOVERE NÉ VANIFICARE LO SCOPO DEL COPRILAMA O DELLA MOLLA APPLICATA ALLA PROTEZIONE.**

Nell'interesse della sicurezza personale, mantenere sempre il coprilama in buone condizioni. Qualsiasi operazione irregolare del coprilama deve essere corretta immediatamente. Verificare l'azione di ritorno caricata a molla del coprilama. **NON UTILIZZARE L'UTENSILE SE IL COPRILAMA O LA MOLLA SONO DANNEGGIATI, DIFETTOSI O ASSENTI. DIVERSAMENTE L'USO È PERICOLOSO E PUÒ DARE LUOGO A GRAVI INFORTUNI.**

Se il coprilama trasparente è sporco, o se i residui del taglio aderiscono ad esso e impediscono la visione della lama, scollegare la sega e pulire con cura il coprilama utilizzando un panno umido. Non utilizzare solventi o detergenti a base di petrolio sul coprilama in plastica. Se il coprilama trasparente è sporco, o se i residui del taglio aderiscono ad esso e impediscono la visione della lama e/ o del pezzo in lavorazione, scollegare la sega e pulire con cura il coprilama utilizzando un panno umido. Non utilizzare solventi o detergenti a base di petrolio sul coprilama in plastica.

Se il coprilama è particolarmente sporco e impedisce la visione, utilizzare la chiave in dotazione per allentare il bullone esagonale che ferma il coperchio centrale. Allentare il bullone esagonale ruotandolo in senso antiorario e sollevare il coprilama e il coperchio centrale. Con il coprilama in questa posizione è possibile eseguire una pulizia più completa ed efficace. Al termine della pulizia, ripetere la procedura in senso contrario e fissare il bullone. Non rimuovere la molla del coprilama. Se il coprilama si scolorisce a causa del tempo o dell'esposizione a raggi UV, rivolgersi a un centro di assistenza Makita per ottenere un nuovo coprilama. **NON**

**RIMUOVERE NÉ VANIFICARE LO SCOPO DELLA PROTEZIONE (Fig. 7).**

## Pannello di taglio (Fig. 8)

Questo utensile è dotato di un pannello di taglio nella base girevole che riduce al minimo le sbavature sul lato di uscita di un taglio. Se la scanalatura di taglio non è stata praticata in fabbrica nel relativo pannello, è opportuno eseguire il taglio della scanalatura prima di utilizzare l'utensile per tagliare un pezzo in lavorazione. Accendere l'utensile e abbassare delicatamente la lama per praticare una scanalatura nel pannello di taglio.

## Mantenere la massima capacità di taglio

L'utensile è regolato in fabbrica per garantire la massima capacità di taglio per una lama da 255 mm.

All'installazione di una nuova lama, verificare la posizione del limite inferiore sulla lama e, se necessario, effettuare la seguente regolazione:

Scollegare prima l'utensile. Abbassare completamente l'impugnatura. Utilizzare la chiave per ruotare il bullone di regolazione fino a quando la parte esterna della lama si estende leggermente sotto la superficie superiore della base girevole nel punto in cui il lato anteriore della guida incontra la superficie superiore della base girevole (fig. 9).

Con l'utensile scollegato, ruotare manualmente la lama tenendo l'impugnatura del tutto abbassata per garantire che la lama non entri in contatto con la base inferiore. Ripetere la regolazione, se necessario (Fig. 10).

### ATTENZIONE:

- Dopo l'installazione di una nuova lama, verificare sempre che la lama non entri in contatto con la base inferiore quando la maniglia è completamente abbassata. Eseguire sempre l'operazione a utensile scollegato.

## Regolazione dell'angolo di taglio circolare (Fig. 11)

Allentare la ganascia ruotandola in senso antiorario. Ruotare la base girevole tenendo premuta la levetta di blocco. Una volta spostata la ganascia nella posizione in cui l'indicatore è rivolto sull'angolazione desiderata nella scala di taglio circolare, serrare la ganascia in senso orario.

### ATTENZIONE:

- Durante la rotazione della base girevole, tenere del tutto sollevata l'impugnatura.
- Dopo aver cambiato l'angolo di taglio circolare, fissare la base girevole serrando la ganascia.

## Regolazione dell'angolo di taglio obliquo (Fig. 12 e 13)

Per regolare l'angolo di taglio obliquo, allentare la manopola nella parte posteriore dell'utensile in senso antiorario.

Premere l'impugnatura a sinistra per inclinare la lama della sega fino a quando l'indicatore segnala l'angolazione desiderata sulla scala di taglio obliquo.

Serrare la manopola in senso orario per fissare saldamente il braccio.

#### **ATTENZIONE:**

- Durante l'inclinazione della lama, tenere del tutto sollevata l'impugnatura.
- Dopo aver cambiato l'angolo di taglio obliquo, fissare sempre il braccio con una rotazione della manopola in senso orario.

### **Azionamento dell'interruttore**

#### **ATTENZIONE:**

- Prima di collegare l'utensile, controllare se l'interruttore funziona correttamente e ritorna alla posizione "OFF" una volta rilasciato.

#### **Per i paesi europei (Fig. 14)**

Per accendere l'utensile, spingere la leva a destra e tirare l'interruttore di accensione. Per spegnere l'utensile, rilasciare l'interruttore.

#### **Per tutti i paesi esterni all'Unione Europea (Fig. 15)**

Per accendere l'utensile è sufficiente tirare l'interruttore. Per spegnere l'utensile, rilasciare l'interruttore.

#### **AVVERTENZA:**

- Non utilizzare mai l'utensile se l'interruttore non è in perfetta efficienza. Se l'interruttore non è in perfetta efficienza, l'utensile risulta **ESTREMAMENTE PERICOLOSO** e deve essere riparato prima di un successivo utilizzo.

## **MONTAGGIO**

#### **ATTENZIONE:**

- Accertarsi sempre che l'utensile sia spento e scollegato dalla presa di corrente prima di iniziare qualsiasi operazione su di esso.

### **Montaggio e smontaggio della lama**

#### **ATTENZIONE:**

- Prima di montare o smontare la lama accertarsi sempre che l'utensile sia spento e scollegato.
- Per installare o rimuovere la lama utilizzare solo la chiave fornita da Makita. In caso contrario il bullone esagonale potrebbe risultare troppo stretto oppure allentato. Questo può essere causa di infortuni.

Durante la rimozione o l'installazione della lama, mantenere l'impugnatura nella posizione sollevata (Fig. 16).

Per rimuovere la lama, utilizzare la chiave per allentare il bullone esagonale che trattiene il coperchio centrale ruotandolo in senso antiorario. Sollevare il coprilama e il coperchio centrale (Fig. 17).

Premere il blocco dell'albero per bloccare il mandrino e utilizzare la chiave per allentare il bullone esagonale in senso orario. Rimuovere quindi il bullone esagonale, la flangia esterna e la lama (Fig. 18).

Per installare la lama, montarla con attenzione sul mandrino, verificando che la direzione della freccia sulla superficie della lama corrisponde alla direzione della freccia sul contenitore della lama. Installare la flangia esterna e il bullone esagonale, quindi utilizzare la chiave per serrare il bullone esagonale (verso sinistra) in senso antiorario tenendo premuto il blocco dell'albero (Fig. 19 e 20).

#### **ATTENZIONE:**

- L'anello con diametro esterno di 25,4 o 30 mm è installato in fabbrica sul mandrino. Prima di montare la lama sul mandrino, assicurarsi che sullo stesso sia installato l'anello corretto per il foro dell'asta della lama che si intende utilizzare.

Installare la flangia esterna e il bullone esagonale, quindi utilizzare la chiave per serrare il bullone esagonale (verso sinistra) in senso antiorario tenendo premuto il blocco dell'albero.

Riportare il coprilama e il coperchio centrale nella posizione originale. Serrare quindi il bullone esagonale in senso orario per fissare il coperchio centrale. Abbassare l'impugnatura per accertarsi che il coprilama si sposti correttamente. Accertarsi che il blocco dell'albero sia stato rimosso sul mandrino prima di praticare il taglio.

### **Sacchetto per la polvere (Fig. 21 e 22)**

L'uso del sacchetto per la polvere permette di mantenere la pulizia durante il taglio e di facilitare la raccolta della polvere. Per fissare il sacchetto per la polvere, è sufficiente applicarlo sull'ugello per la polvere.

Rimuovere il sacchetto quando è pieno per metà, tirando il fermo verso l'esterno. Svuotare il sacchetto scuotendolo leggermente, in modo da eliminare particelle che possano aver aderito all'interno e che potrebbero ostacolare il corretto funzionamento.

#### **NOTA:**

Se si collega alla sega un aspiratore Makita, è possibile effettuare operazioni di pulizia più efficaci.

### **Fissaggio del pezzo in lavorazione**

#### **AVVERTENZA:**

- È molto importante fissare sempre con sicurezza il pezzo in lavorazione utilizzando la morsa. Diversamente, l'utensile potrebbe danneggiarsi e il pezzo in lavorazione potrebbe essere distrutto. **INOLTRE, SI POTREBBERO SUBIRE INFORTUNI.** Dopo un'operazione di taglio, non sollevare la lama fino a quando non ha effettuato un arresto completo.

#### **ATTENZIONE:**

- Durante il taglio di pezzi in lavorazione lunghi, utilizzare sostegni di altezza pari alla superficie superiore della base girevole. Non fare affidamento sulla sola morsa orizzontale e/o verticale per fissare il pezzo.
- I materiali sottili tendono a flettersi. Sostenere il pezzo in lavorazione per la sua intera lunghezza per evitare ostacoli alla lama e possibili contraccolpi (Fig. 23).

### **Morsa verticale (Fig. 24)**

La morsa verticale può essere installata in due posizioni, sul lato sinistro o destro della guida. Inserire l'asta della morsa nel foro della guida e serrare la vite per fissare l'asta della morsa.

Posizionare il braccio della morsa in base allo spessore e alla forma del pezzo in lavorazione, quindi fissare il braccio della morsa serrando la vite. Accertarsi che l'utensile non entri in contatto con la morsa quando si abbassa completamente l'impugnatura. Se alcune parti entrano in contatto con la morsa, riposizionare la morsa.

Premere il pezzo in lavorazione contro la guida e la base girevole. Posizionare il pezzo in lavorazione nella

posizione di taglio desiderata e fissarlo in modo saldo serrando l'impugnatura della morsa.

#### ATTENZIONE:

- Il pezzo in lavorazione deve essere fissato in modo saldo sulla base girevole e sulla guida con la morsa durante tutte le operazioni.

## FUNZIONAMENTO

#### ATTENZIONE:

- Prima dell'uso, sbloccare l'impugnatura dalla posizione abbassata tirando il perno di fermo.
- Verificare che la lama non tocchi il pezzo in lavorazione prima che l'interruttore sia attivato.
- Non applicare una pressione eccessiva sull'impugnatura durante il taglio. Una forza eccessiva può provocare un sovraccarico del motore e/o un'efficienza di taglio ridotta. Premere l'impugnatura con la sola forza necessaria per un taglio continuo e senza una significativa diminuzione di velocità della lama.
- Premere delicatamente l'impugnatura per eseguire il taglio. Se l'impugnatura viene premuta con forza o se viene applicata una forza laterale, la lama vibra e lascia un segno nel pezzo in lavorazione, riducendo la precisione del taglio.

#### 1. Tagli a pressione (Fig. 25)

Fissare il pezzo in lavorazione con la morsa. Accendere l'utensile senza che la lama entri in contatto con il pezzo e attendere che la lama raggiunga la massima velocità prima di abbassarla. Quindi, abbassare completamente l'impugnatura per tagliare il pezzo in lavorazione. Una volta completato il taglio, spegnere l'utensile e attendere l'arresto della lama prima di riportarla nella posizione sollevata.

#### 2. Tagli circolari

Consultare la sezione "Regolazione dell'angolo di taglio circolare" in precedenza.

#### 3. Tagli obliqui (Fig. 26)

Allentare la manopola e inclinare la lama della segna per impostare l'angolo di taglio obliquo (consultare la sezione "Regolazione dell'angolo di taglio obliquo" in precedenza). Serrare di nuovo la manopola per fissare l'angolo di taglio obliquo selezionato. Fissare il pezzo in lavorazione con una morsa. Accendere l'utensile senza che la lama entri in contatto con il pezzo e attendere che la lama raggiunga la massima velocità. Abbassare completamente l'impugnatura applicando una pressione parallela alla lama. Una volta completato il taglio, spegnere l'utensile e attendere l'arresto della lama prima di riportarla nella posizione sollevata.

#### ATTENZIONE:

- Accertarsi che la lama si sposti verso il basso in direzione obliqua durante un taglio obliquo. Tenere le mani lontane dal percorso compiuto dalla lama della sega.
- Durante un taglio obliquo, si potrebbe creare una situazione in cui il pezzo in lavorazione si trova contro il lato della lama. Se la lama viene sollevata mentre è ancora in rotazione, questo pezzo può essere colpito dalla lama e i suoi frammenti potrebbero disperdersi, creando una situazione di pericolo. La lama deve

essere sollevata solo quando ha effettuato un arresto completo.

- Durante la pressione dell'impugnatura, applicare una pressione parallela alla lama. Se la pressione non è parallela alla lama durante il taglio, l'angolazione potrebbe variare e la precisione del taglio potrebbe risentirne.

#### 4. Taglio combinato

Il taglio combinato è un processo in cui viene impostato un angolo di taglio obliquo durante la realizzazione di un taglio circolare sul pezzo. Il taglio combinato può essere eseguito con le angolazioni indicate nella tabella.

Angolazione di taglio obliquo	Angolazione di taglio circolare
45°	Sinistra e destra 0 - 45°

Durante il taglio composto, consultare le sezioni "Tagli a pressione", "Tagli circolari" e "Tagli obliqui".

#### 5. Taglio di estrusioni di alluminio (Fig. 27)

Durante il fissaggio delle estrusioni di alluminio, utilizzare distanziatori o pezzi di scarto (come mostrato nella figura) per impedire la deformazione dell'alluminio. Utilizzare un lubrificante durante il taglio di estrusioni di alluminio per impedire l'accumulo di materiale sulla lama.

#### ATTENZIONE:

- Non tentare di tagliare estrusioni di alluminio spesse o rotonde. Le estrusioni di alluminio spesse potrebbero allentarsi durante l'operazione, mentre le estrusioni di alluminio rotonde non possono essere fissate in modo saldo con questo utensile.

#### 6. Protezione in legno (Fig. 28)

L'uso di una protezione in legno aiuta a garantire che non vi siano schegge nei tagli del pezzo in lavorazione. Fissare una protezione in legno alla guida utilizzando i fori in quest'ultima. Vedere la figura relativa alle dimensioni per un suggerimento sulla protezione in legno da utilizzare.

#### ATTENZIONE:

- Utilizzare legno piano di qualsiasi spessore come protezione.
- Utilizzare le viti per fissare la protezione in legno alla guida. Le viti dovrebbero essere installate in modo che la testa della vite si trovi sotto la superficie della protezione in legno.
- Una volta applicata la protezione in legno, evitare di ruotare la base girevole con l'impugnatura abbassata. La lama e/o la protezione in legno potrebbero danneggiarsi.
- La larghezza di taglio massima sarà inferiore alla larghezza della protezione in legno.

#### 7. Taglio di lunghezze ripetitive (Fig. 29)

Quando si tagliano diversi pezzi alla stessa lunghezza (compresa tra 240 e 380 mm), l'uso della piastra di regolazione (accessorio opzionale) consente operazioni più efficienti. Installare la piastra di regolazione sul sostegno (accessorio opzionale) come mostrato nella figura. Allineare la linea di taglio sul pezzo in lavorazione con il lato sinistro o destro della scanalatura del pannello di taglio, quindi tenere fermo il pezzo in lavorazione e spostare la piastra contro la

fine del pezzo in lavorazione. Fissare la piastra di regolazione con la vite. Quando la piastra di regolazione non è necessaria, allentare la vite e rimuovere la piastra.

### **Trasporto dell'utensile (Fig. 30)**

Accertarsi che l'utensile sia scollegato. Fissare la lama all'angolazione di taglio obliquo 0° e la base girevole sull'angolazione di taglio circolare sinistra. Abbassare completamente l'impugnatura premendo il perno di fermo. Trasportare l'utensile utilizzando le maniglie per il trasposto, come mostrato nella figura. La rimozione dei sostegni, del sacchetto per la polvere, ecc. agevola il trasporto dell'utensile (Fig. 31).

#### **ATTENZIONE:**

- Bloccare tutte le parti mobili prima di trasportare l'utensile.
- Il perno di fermo è destinato alle operazioni di trasporto e immagazzinaggio, non alle operazioni di taglio.

## **MANUTENZIONE**

#### **ATTENZIONE:**

- Prima di effettuare controlli e operazioni di manutenzione, verificare sempre che l'utensile sia spento e scollegato.

#### **AVVERTENZA:**

- Accertarsi che la lama sia sempre affilata e pulita per le migliori prestazioni e la massima sicurezza.

### **Regolazione dell'angolo di taglio**

Questo utensile è regolato e allineato in fabbrica; tuttavia, un utilizzo non corretto potrebbe modificare l'allineamento. Se l'utensile non è allineato correttamente, attenersi alla procedura riportata di seguito:

#### **1. Angolo di taglio circolare (Fig. 32)**

Allentare la ganascia che fissa la base girevole. Ruotare la base girevole in modo che l'indicatore si trovi sullo 0° nella scala di taglio circolare. Serrare la ganascia e allentare i bulloni esagonali che fissano la guida utilizzando la chiave. Se l'indicatore non si trova su 0° nella scala di taglio circolare, allentare la vite dell'indicatore e spostare la piastra fino a quando l'indicatore si trova su 0° sulla scala di taglio circolare. Abbassare completamente l'impugnatura premendo il perno di fermo. Accertarsi che il lato della lama sia perpendicolare rispetto alla guida utilizzando una squadra, quindi fissare i bulloni esagonali sulla guida nell'ordine, partendo dal lato destro (Fig. 33).

#### **2. Angolazione di taglio obliquo**

(1) Angolazione di taglio obliquo 0° (Fig. 34)

Abbassare completamente l'impugnatura premendo il perno di fermo. Allentare la manopola nella parte posteriore dell'utensile. Allentare il dado esagonale e ruotare due o tre volte in senso orario il bullone di regolazione dell'angolo di taglio obliquo 0° sul lato destro della base girevole per inclinare la lama verso destra.

Assicurarsi che il lato della lama sia perpendicolare alla superficie superiore della base girevole utilizzando una squadra; per la regolazione, ruotare in senso antiorario il bullone di regolazione dell'angolo di taglio obliquo 0°. Serrare quindi il dado esagonale per

fissare il bullone di regolazione dell'angolo di taglio obliquo 0° e serrare la manopola.

Assicurarsi che l'indicatore sul braccio sia nella posizione 0° sulla scala di taglio obliquo. Se l'indicatore non si trova su 0° nella scala di taglio obliquo, allentare la vite dell'indicatore e spostare la piastra fino a quando l'indicatore si trova su 0° sulla scala di taglio obliquo (Fig. 35 e 36).

(2) Angolazione di taglio obliquo 45° (Fig. 37)

Regolare l'angolo di taglio obliquo 45° solo dopo aver eseguito la regolazione dell'angolo di taglio obliquo 0°. Per regolare l'angolo di taglio obliquo 45°, allentare la manopola e inclinare la lama del tutto a sinistra. Assicurarsi che l'indicatore sul braccio sia nella posizione 45° sulla scala di taglio obliquo del braccio. Se l'indicatore non si trova nella posizione 45°, ruotare il bullone di regolazione dell'angolo di taglio 45° sul lato sinistro del braccio fino a quando l'indicatore è nella posizione 45°.

### **Sostituzione delle spazzole di carbone (Fig. 38)**

Rimuovere e controllare periodicamente le spazzole di carbone. Sostituirle quando l'usura comporta una lunghezza di 3 mm. Mantenere le spazzole di carbone pulite e libere di scorrere nei supporti. Entrambe le spazzole di carbone devono essere sostituite contemporaneamente. Utilizzare solo spazzole di carbone dello stesso tipo.

Rimuovere i coperchi dei portaspazzola con un cacciavite.

Estrarre le spazzole di carbone consumate, inserire le nuove spazzole e fissare i coperchi dei portaspazzola (Fig. 39).

### **Dopo l'uso**

- Dopo l'uso, rimuovere frammenti e polvere che hanno aderito all'utensile con un panno. Tenere pulito il coprilama secondo le indicazioni nella precedente sezione "Coprilama". Lubrificare le parti scorrevoli con olio per macchine in modo da impedire la ruggine.

Al fine di garantire la SICUREZZA e l'AFFIDABILITÀ del prodotto, le riparazioni e qualsivoglia ulteriore operazione di manutenzione o regolazione devono essere eseguite dai centri di assistenza autorizzati Makita utilizzando sempre parti di ricambio Makita.

## NEDERLANDS

### Verklaring van algemene gegevens

1. Moersleutel	19. Middenafdekking	37. Vulblok
2. Knop	20. Zeskantbout	38. Aluminiumprofiel
3. Extra plaat	21. Zaagbladhuis	39. Vulblok
4. Schroef	22. Pijlpunt	40. Meer dan 10 mm
5. Zool	23. Zaagblad	41. Meer dan 460 mm
6. Vergrendelpen	24. As	42. Opening
7. Bout	25. Flens	43. Aanzetplaat
8. Beschermkap	26. Ring	44. Houder
9. Zaagsnedeplank	27. Stofzak	45. Vergrendelpen
10. Stelbout	28. Sluiting	46. Zeskantbouten
11. Bovenoppervlak van draaitafel	29. Steun	47. Geodriehoek
12. Rand van zaagblad	30. Draaitafel	48. Stelbout voor 0°
13. Geleider	31. Draaiknop van bankschroef	49. Bovenoppervlak van draaitafel
14. Vergrendelknop	32. Schroef	50. Stelbout voor verticaal-verstekhoek van 45°
15. Handvat	33. Arm van bankschroef	51. Koolborsteldop
16. Aanwijspunt	34. Stang van bankschroef	52. Schroevendraaier
17. Pal	35. Verticale bankschroef	
18. Aan/uit-schakelaar	36. Bankschroef	

## TECHNISCHE GEGEVENS

Model	MLS100
Diameter zaagblad	255 mm
Diameter middengat	
Voor alle niet-Europese landen	25,4 mm
Voor Europese landen	30 mm
Max. zaagdikte (h x b) met zaagblad van 255 mm diameter	

Verticaal-verstekhoek	Verstekhoek	
	0°	45° (links en rechts)
0°	75 mm x 130 mm	75 mm x 90 mm
45° (links)	48 mm x 120 mm	48 mm x 90 mm

Onbelaste snelheid (min <sup>-1</sup> )	4200
Afmetingen (l x b x h)	610 mm x 485 mm x 515 mm
Netto gewicht	14,7 kg
Veiligheidsklasse	II

- Als gevolg van ons doorlopende onderzoeks- en ontwikkelingsprogramma, zijn de technische gegevens van dit gereedschap onderhevig aan veranderingen zonder voorafgaande kennisgeving.
- Opmerking: De technische gegevens kunnen van land tot land verschillen.

### Symbolen

END217-2

Hieronder staan de symbolen die voor dit gereedschap worden gebruikt. Zorg ervoor dat u weet wat ze betekenen alvorens het gereedschap te gebruiken.



..... Verwijder voor uw eigen veiligheid alle spaanders, kleine stukjes hout, enz., vanaf het tafeloppervlak voordat u het gereedschap bedient.



..... Zet de HULPGELEIDER altijd in de linkerstand wanneer u links-verticaal-verstekzaagt. Als u dat niet doet, kan dat leiden tot ernstig letsel van de gebruiker.



..... Draai de bout rechtsom los.

### Gebruiksdoeleinden

ENE004-1

Het gereedschap is bedoeld voor recht- en verstekzagen in hout. Als het juiste zaagblad wordt gebruikt, kan dit gereedschap ook aluminium zagen.



..... Lees de gebruiksaanwijzing.



..... DUBBEL GEÏSOLEERD



..... Om letsel door rondvliegende houtsnippers te voorkomen, blijft u na het zagen de zaagkop omlaag gedruwd houden totdat het zaagblad volledig tot stilstand is gekomen.



..... Houdt handen en vingers uit de buurt van het zaagblad.



## Voeding

ENF002-1

Het gereedschap mag uitsluitend worden aangesloten op een voeding met dezelfde spanning als aangegeven op het identificatieplaatje en werkt alleen op enkele-fase wisselstroom. Het gereedschap is dubbel geïsoleerd volgens de Europese norm en mag derhalve ook op een niet-geaard stopcontact worden aangesloten.

## AANVULLENDE VEILIGHEIDSVORSCHRIFTEN VOOR GEREEDSCHAP

ENB040-3

1. **Draag oogbescherming.**
2. **Houd uw handen uit de buurt van het pad van het zaagblad. Voorkom contact met het nog nadraaiende zaagblad. Het kan nog steeds ernstig letsel veroorzaken.**
3. **Bedien de cirkelzaag niet zonder dat de beschermkappen zijn aangebracht. Controleer voor ieder gebruik of de beschermkap van het zaagblad goed sluit. Gebruik de cirkelzaag niet als de beschermkap van het zaagblad niet vrij kan bewegen en onmiddellijk sluit. Zet de beschermkap van het zaagblad nooit vast in de geopende stand.**
4. **Zaag nooit uit de vrije hand.** Het werkstuk moet voor ieder gebruik met behulp van de bankschroef stevig worden vastgeklemd op de draaitafel en tegen de geleider. Houd het werkstuk nooit met uw handen vast.
5. **Reik nooit rondom het zaagblad.**
6. **Schakel het gereedschap uit en wacht tot het zaagblad stilstaat voordat u het werkstuk verplaatst of de instelling van het gereedschap verandert.**
7. **Trek de stekker van het gereedschap uit het stopcontact voordat u het zaagblad vervangt of onderhoud pleegt.**
8. Gebruik het gereedschap niet in de buurt van ontvlambare vloeistoffen of gassen.
9. Controleer vóór het gebruik het zaagblad zorgvuldig op barsten of beschadiging. Vervang een gebarsten of beschadigde zaagblad meteen.
10. Gebruik uitsluitend flenzen die geschikt zijn voor dit gereedschap.
11. Wees voorzichtig dat u niet de as, flenzen (met name het montagevlak) of bout beschadigt. Als deze onderdelen beschadigd raken, kan het zaagblad breken.
12. Zorg ervoor dat de draaitafel stevig vast staat zodat deze tijdens het zagen niet beweegt.
13. Verwijder voor uw eigen veiligheid alle spaanders, kleine stukjes hout, enz., vanaf het tafelloppervlak voordat u het gereedschap bedient.
14. Voorkom dat u in spijkers zaagt. Inspecteer het werkstuk op spijkers en verwijder deze zonnodig voordat u ermee begint te werken.
15. Zorg ervoor dat de asvergrensdeling is ontgrensd voordat u het gereedschap inschakelt.
16. Controleer dat het zaagblad in zijn laagste stand de draaitafel niet raakt.
17. Houd de handgreep stevig vast. Let erop dat het zaagblad iets op en neer beweegt tijdens het starten en stoppen.
18. Zorg ervoor dat het zaagblad het werkstuk niet raakt voordat u het gereedschap hebt ingeschakeld.
19. Laat het gereedschap een tijdje draaien voordat u het werkstuk gaat zagen. Controleer op trillingen of schommelingen die op onjuiste montage of een slecht uitgebalanceerd zaagblad kunnen wijzen.
20. Wacht totdat het zaagblad op volle snelheid draait voordat u begint te zagen.
21. Stop onmiddellijk met het gebruik van het gereedschap als u iets abnormaals opmerkt.
22. Probeer niet de aan/uit-schakelaar in de aan-stand vast te zetten.
23. Blijf te allen tijde geconcentreerd, met name tijdens zich herhalende, monotone bedieningen. Laat u niet leiden door een vals gevoel van veiligheid. Het zaagblad kent geen medelijden!
24. Gebruik altijd de accessoires die in deze gebruiksaanwijzing aanbevolen worden. Gebruik van ongeschikte accessoires, zoals slijpschijven, kan tot letsel leiden.
25. **Gebruik de cirkelzaag niet voor het zagen van andere materialen dan hout, aluminium en dergelijke.**
26. **Sluit de afkortzaag aan op een stofafzuig- en stofopvanginrichting tijdens het zagen.**
27. **Kies het juiste zaagblad voor het materiaal dat u wilt zagen.**
28. **Wees voorzichtig bij het zagen van gleuven.**
29. **Vervang de zaagsnedeplank als deze versleten is.**
30. **Zaagbladen van hooggelegeerd staal (HSS) mogen niet worden gebruikt.**
31. **Stof dat tijdens de werkzaamheden vrijkomt, kan chemische bestanddelen bevatten die kanker, geboortedefecten of andere voortplantingsschade kan (kunnen) verwekken. Enkele voorbeelden van deze chemische stoffen zijn:**
  - lood van loodhoudende verfstoffen en
  - arsenicum en chroom van chemisch behandeld hout. Het risico van deze blootstellingen varieert en hangt af van het feit hoe vaak u dit soort werkzaamheden uitvoert. Om blootstelling aan deze chemische bestanddelen te verminderen: moeten de werkzaamheden uitgevoerd worden in een goed geventileerde werkomgeving en gebruikmakend van goedgekeurd beschermende hulpmiddelen, zoals stofmaskers die ontworpen zijn om microscopisch kleine deeltjes te kunnen filteren.
32. **Zorg, om het geluidsniveau te verminderen, er altijd voor dat het zaagblad scherp en schoon is.**
33. **De gebruiker moet voldoende getraind zijn in het gebruik, afstelling en bediening van het gereedschap.**
34. **Gebruik een zaagblad dat op de juiste wijze geslepen is. Houd u aan de maximale snelheid aangegeven op het zaagblad.**
35. **U mag niet het afgezaagde stuk of andere delen van het werkstuk uit het zaaggebied verwijderen terwijl het zaagblad nog draait en de gereedschapskop nog niet in de ruststand staat.**

# BEWAAR DEZE INSTRUCTIES

## BEDIENING(zie afb. 1 en 2)

Wanneer u het gereedschap koopt is het handgreep vergrendeld in de onderste stand door middel van de vergrendelpen. Draai de bout los met de bijgeleverde sleutel en zet de zaagkop in de juiste hoek. Verwijder de bout en zet de zaagkop vast met de knop.

### De extra plaat monteren (zie afb. 3)

Leg het gat in de extra plaat op het gat in de zool van het gereedschap en monteer de extra plaat met behulp van de schroef.

### Montage op een werkbank

Wanneer u het gereedschap koopt is het handgreep vergrendeld in de onderste stand door middel van de vergrendelpen. Ontgrendel de vergrendelpen door de handgreep iets omlaag te duwen en de vergrendelpen naar buiten te trekken. (zie afb. 4)

Dit gereedschap moet met vier bouten worden gemonteerd op een horizontale en stabiele ondergrond met gebruikmaking van de boutgaten in de voeten van het gereedschap. Hierdoor wordt voorkomen dat het gereedschap kan omvallen en letsel kan veroorzaken. (Zie afb. 5)

## BESCHRIJVING VAN DE FUNCTIES

### LET OP:

- Controleer altijd of het gereedschap is uitgeschakeld en de stekker uit het stopcontact is getrokken alvorens de functies van het gereedschap te controleren of af te stellen.

### Beschermkap (zie afb. 6)

Wanneer u de handgreep omlaag duwt, gaat de beschermkap automatisch omhoog. De beschermkap is geveerd, zodat deze naar zijn oorspronkelijke plaats terugkeert wanneer de handgreep omhoog gaat nadat het zagen klaar is. **NOOIT DE WERKING VAN DE BESCHERMKAP OF DE DAARAAN BEVESTIGDE VEER HINDEREN OF DEZE VERWIJDEREN.**

Omwille van uw persoonlijke veiligheid zorgt u ervoor dat de beschermkap altijd goed werkt. Iedere onregelmatigheid in de werking van de beschermkap moet onmiddellijk worden gecorrigeerd. Controleer de werking van de trekveer van de beschermkap. **NOOIT HET GEREEDSCHAP GEBUIKEN ALS DE BESCHERMKAP OF VEER BESCHADIGD, DEFECT OF VERWIJDERD ZIJN. DIT TOCH DOEN IS UITERST GEVAARLIJK EN KAN LEIDEN TOT ERNSTIG PERSOONLIJK LETSEL.**

Als de doorzichtige beschermkap vuil is geworden of er zaagsel aan kleeft zodat het zaagblad niet meer goed zichtbaar is, trekt u de stekker uit het stopcontact en maakt u de beschermkap voorzichtig schoon met een vochtige doek. Gebruik geen oplosmiddelen of op petroleum gebaseerde schoonmaakmiddelen op de kunststoffen beschermkap. Als de doorzichtige beschermkap vuil is geworden of er zaagsel aan kleeft

zodat het zaagblad en/of het werkstuk niet meer goed zichtbaar is, trekt u de stekker uit het stopcontact en maakt u de beschermkap voorzichtig schoon met een vochtige doek. Gebruik geen oplosmiddelen of op petroleum gebaseerde schoonmaakmiddelen op de kunststoffen beschermkap.

Als de beschermkap bijzonder vuil is en u er niet meer doorheen kunt kijken, gebruikt u de bijgeleverde sleutel om de zeskantbout los te draaien waarmee de middenafdekking is bevestigd. Draai de zeskantbout los door deze linksom te draaien en til de beschermkap en middenafdekking op. Met de beschermkap in deze positie kan deze effectiever en vollediger worden schoongemaakt. Nadat u klaar bent met het schoonmaken, voert u de bovenstaande procedure in omgekeerde volgorde uit en draait u de bout weer vast. Verwijder niet de veer waarmee de beschermkap is vastgezet. Als de beschermkap van kleur is veranderd door ouderdom of blootstelling aan ultravioletlicht, neemt u contact op met een Makita-servicecentrum om een nieuwe beschermkap te bestellen. **DE WERKING VAN DE BESCHERMKAP NIET HINDEREN EN DEZE NIET VERWIJDEREN. (Zie afb. 7)**

### Zaagsnedeplank (zie afb. 8)

Dit gereedschap is voorzien van een zaagsnedeplank in de draaitafel om splinteren aan de uitgangszijde van de zaagsnede te minimaliseren. Als de zaagsnedegroef in de fabriek nog niet is aangebracht in de zaagsnedeplank, moet u de groef zelf maken voordat u met het gereedschap een werkstuk zaagt. Schakel het gereedschap in en breng het zaagblad langzaam omlaag om een zaagsnede te maken in de zaagsnedeplank.

### Maximale zaagdikte behouden

Dit gereedschap is in de fabriek afgesteld om de maximale zaagdikte te leveren met een zaagblad met een diameter van 255 mm.

Controleer bij het monteren van een nieuw zaagblad altijd de onderste stand van het zaagblad en stel deze zonnodig als volgt af:

Trek eerst de stekker van het gereedschap uit het stopcontact. Breng de handgreep zo ver mogelijk omlaag. Gebruik een sleutel om de stelbout te draaien totdat de rand van het zaagblad tot net onder het bovenoppervlak van de draaitafel komt op het punt waar de voorzijde van de geleider raakt aan het bovenoppervlak van de draaitafel. (Zie afb. 9)

Met de stekker van het gereedschap uit het stopcontact, houdt u de handgreep zo ver mogelijk omlaag gedrukt en draait u het zaagblad met de hand rond om u ervan te verzekeren dat het zaagblad geen enkel onderdeel van het onderstel raakt. Stel zonnodig opnieuw af. (Zie afb. 10)

### LET OP:

- Na het monteren van een nieuw zaagblad controleert u altijd dat het zaagblad geen enkel onderdeel van het onderstel raakt wanneer de handgreep zo ver mogelijk omlaag wordt gedruwd. Doe dit alleen wanneer de stekker van het gereedschap uit het stopcontact is getrokken.

## De horizontaal-verstekhoek instellen (zie afb. 11)

Draai het handvat los door dit linksom te draaien. Houd de vergrendelknop ingedrukt en verdraai de draaitafel. Wanneer u het handvat hebt verdraaid naar de positie waarop de aanwijspunt de gewenste hoek aangeeft, draait u het handvat stevig rechtsom vast.

### LET OP:

- Voordat u de draaitafel verdraait, controleert u dat de handgreep zo ver mogelijk omhoog staat.
- Nadat u de horizontaal-verstekhoek hebt veranderd, zet u altijd de draaitafel vast door het handvat stevig vast te draaien.

## De verticaal-verstekhoek instellen (zie afb. 12 en 13)

Om de verticaal-verstekhoek in te stellen, draait u de knop aan de achterkant van het gereedschap los.

Duw de handgreep naar links om het zaagblad te kantelen totdat de aanwijspunt de gewenste hoek aangeeft op de verticaal-verstekschaalverdeling.

Draai tenslotte de knop weer stevig rechtsom vast om de arm vast te zetten.

### LET OP:

- Voordat u het zaagblad kantelt, controleert u dat de handgreep zo ver mogelijk omhoog staat.
- Nadat u de verticaal-verstekhoek hebt veranderd, moet u altijd de arm vastzetten door de knop rechtsom te draaien.

## Werking van de aan/uit-schakelaar

### LET OP:

- Controleer altijd, voordat u de stekker in het stopcontact steekt, of de aan/uit-schakelaar op de juiste manier schakelt en weer terugkeert naar de uitstand nadat deze is losgelaten.

### Voor Europese landen (zie afb. 14)

Om het gereedschap te starten, duwt u de pal naar rechts en knijpt u de aan/uit-schakelaar in. Laat de aan/uit-schakelaar los om het gereedschap te stoppen

### Voor alle niet-Europese landen (zie afb. 15)

Om het gereedschap in te schakelen, knijpt u gewoon de aan/uit-schakelaar in. Laat de aan/uit-schakelaar los om het gereedschap te stoppen

### WAARSCHUWING:

- Gebruik het gereedschap NOOIT als de aan/uit-schakelaar niet goed werkt. Ieder gereedschap met een defecte aan/uit-schakelaar is UITERST GEVAARLIJK en moet worden gerepareerd voordat het gereedschap wordt gebruikt.

## ONDERDELEN AANBRENGEN/ VERWIJDEREN

### LET OP:

- Controleer altijd of het gereedschap is uitgeschakeld en de stekker uit het stopcontact is getrokken alvorens enige werk aan het gereedschap uit te voeren.

## Het zaagblad monteren en verwijderen

### LET OP:

- Controleer altijd of het gereedschap is uitgeschakeld en de stekker uit het stopcontact is getrokken alvorens het zaagblad te monteren of verwijderen.
- Gebruik uitsluitend de bijgeleverde Makita-inbussleutel voor het aanbrengen en verwijderen van het zaagblad. Als u dit nalaat, loopt u het risico dat de zeskantbout te vast of onvoldoende vast aangedraaid wordt. Hierdoor kan letsel worden veroorzaakt.

Bij het monteren of verwijderen van het zaagblad moet de handgreep in de bovenste stand staan. (zie blz. 16)

Als u het zaagblad wilt verwijderen gebruikt u de sleutel om de zeskantmoer waarmee de middenafdekking is bevestigd linksom los te draaien. Til de beschermkap en de middenafdekking op. (Zie afb. 17)

Druk de asvergrendeling in om de as te vergrendelen en gebruik de sleutel om de zeskantbout rechtsom los te draaien. Verwijder tenslotte de zeskantbout, de buitenflens en het zaagblad. (Zie afb. 18)

Als u een nieuw zaagblad wilt monteren, plaatst u het voorzichtig op de as, waarbij u er goed op let dat de richting van de pijl op de zijkant van het zaagblad overeenkomt met de richting van de pijl op het zaagbladhuis. Monteer de buitenflens en zeskantbout (met tegengestelde schroefdraad), en gebruik de sleutel om de zeskantbout stevig linksom vast te draaien terwijl u de asvergrendeling ingedrukt houdt. (zie afb. 19 en 20)

### LET OP:

- De ring, met een buitendiameter van 25,4 of 30 mm, is door de fabrikant op de as aangebracht. Voordat het zaagblad op de as wordt gemonteerd, moet u ervoor zorgen, dat de juiste ring, passend voor het asgat van het zaagblad, aangebracht is op de as.

Monteer de buitenflens en zeskantbout (met tegengestelde schroefdraad), en gebruik de sleutel om de zeskantbout stevig linksom vast te draaien terwijl u de asvergrendeling ingedrukt houdt.

Breng de beschermkap en de middenafdekking terug op hun oorspronkelijke plaatsen. Draai daarna de zeskantbout rechtsom om de middenafdekking vast te zetten. Duw de handgreep omlaag om te controleren of de beschermkap goed beweegt. Controleer dat de asvergrendeling de as niet langer vergrendelt voordat u met het gereedschap zaagt.

## Stofzak (zie afb. 21 en 22)

Door de stofzak te gebruiken werkt u schoon en kan het zaagsel eenvoudig worden opgeruimd. Bevestig de stofzak op de stofafzuigaansluitmond.

Wanneer de stofzak ongeveer halfvol is, haalt u de stofzak van het gereedschap af en trekt u de sluiting eraf. Gooi het zaagsel in de stofzak weg en tik zacht tegen de stofzak zodat ook de deeltjes die tegen de binnenkant kleven, en verdere afzuiging kunnen hinderen, eruit vallen.

### OPMERKING:

Als u een Makita-stofzuiger aansluit op uw gereedschap, kunt u nog efficiënter en schoner werken.

## Werkstuk vastklemmen

### WAARSCHUWING:

- Het is uiterst belangrijk het werkstuk altijd goed en stevig vast te klemmen in de bankschroef. Als u dit niet doet, kan het gereedschap worden beschadigd en/of het werkstuk worden vernield. DIT KAN TEVENS LEIDEN TOT PERSOONLIJK LETSEL. Bovendien, nadat u klaar bent met zagen mag u de handgreep pas omhoog trekken nadat het zaagblad volledig tot stilstand is gekomen.

### LET OP:

- Als u een lang werkstuk zaagt, gebruikt u steunen die even hoog zijn als het bovenoppervlak van de draaitafel. Vertrouw niet uitsluitend op de verticale bankschroef en/of de horizontale bankschroef om het werkstuk vast te klemmen.
- Dun materiaal kan doorhangen. Ondersteun het werkstuk over zijn gehele lengte om vastlopen van het zaagblad en mogelijke TERUGSLAG te voorkomen. (Zie afb. 23)

### Verticale bankschroef (zie afb. 24)

De verticale bankschroef kan op twee plaatsen worden gemonteerd: aan de linkerkant of aan de rechterkant van de geleider. Steek de stang van de bankschroef in het gat in de geleider en draai de schroef vast om de stang van de bankschroef vast te zetten.

Stel de arm van de bankschroef in overeenkomstig de dikte en vorm van het werkstuk, en zet de arm van de bankschroef vast door de schroef vast te draaien. Controleer dat geen enkel deel van het gereedschap in aanraking komt met de bankschroef wanneer de handgreep tot in de onderste stand omlaaggebracht wordt. Al enig deel van het gereedschap de bankschroef raakt, verandert u de positie van de bankschroef.

Duw het werkstuk glad tegen de geleider en de draaitafel. Positioneer het werkstuk op de gewenste zaagpositie en zet het stevig vast door de knop van de bankschroef vast te draaien.

### LET OP:

- Het werkstuk moet voor ieder gebruik met behulp van de bankschroef stevig worden vastgeklemd op de draaitafel en tegen de geleider.

## BEDIENING

### LET OP:

- Vergeet niet vóór gebruik de handgreep te ontgrendelen uit de onderste stand door de vergrendelende knop naar buiten te trekken.
- Zorg ervoor dat het zaagblad het werkstuk niet raakt, enz., voordat u het gereedschap ingeschakeld.
- Oefen geen grote druk uit op de handgreep tijdens het zagen. Een te hoge kracht kan leiden tot overbelasting van de motor en/of minder efficiënt zagen. Duw de handgreep met net voldoende kracht omlaag als nodig is om soepel te zagen zonder dat de snelheid van het zaagblad aanmerkelijk lager wordt.
- Duw de handgreep voorzichtig omlaag om te zagen. Als u de handgreep met kracht omlaag duwt of als laterale kracht wordt uitgeoefend, zal het zaagblad trillen en een streep (brandplek) op het werkstuk

achterlaten, en zal de nauwkeurigheid van het zagen eronder lijden.

### 1. Rechtzagen (zie afb. 25)

Klem het werkstuk vast in de bankschroef. Schakel het gereedschap in zonder dat het zaagblad iets raakt en wacht tot het zaagblad op volle snelheid draait voordat u het omlaag brengt. Breng vervolgens de handgreep voorzichtig zo ver mogelijk omlaag om het werkstuk te zagen. Nadat het zagen klaar is, schakelt u het gereedschap uit en WACHT U TOTDAT HET ZAAGBLAD VOLLEDIG TOT STILSTAND IS GEKOMEN voordat u het zaagblad omhoog brengt tot in de hoogste stand.

### 2. Verstekzagen

Raadpleeg de beschrijving onder "De horizontaal-verstekhoek instellen".

### 3. Verticaal-verstekzagen (zie afb. 26)

Draai de knop los en kantel het zaagblad om de verticaal-verstekhoek in te stellen. Raadpleeg de beschrijving onder "De verticaal-verstekhoek instellen". Vergeet niet de knop weer stevig vast te draaien om de ingestelde verticaal-verstekhoek veilig te kunnen gebruiken. Klem het werkstuk vast in een bankschroef. Schakel het gereedschap in zonder dat het zaagblad iets raakt en wacht tot het zaagblad op volle snelheid draait. Breng vervolgens de handgreep voorzichtig zo ver mogelijk omlaag en oefen druk uit parallel aan het zaagblad. Nadat het zagen klaar is, schakelt u het gereedschap uit en WACHT U TOTDAT HET ZAAGBLAD VOLLEDIG TOT STILSTAND IS GEKOMEN voordat u het zaagblad omhoog brengt tot in de hoogste stand.

### LET OP:

- Onthoud goed dat het zaagblad onder de verticaal-verstekhoek omlaag beweegt tijdens het verticaal-verstekzagen. Houd uw handen uit de buurt van het pad van het zaagblad.
  - Tijdens het verticaal-verstekzagen kan het voorkomen dat het afgezaagde stuk hout tegen de zijkant van het zaagblad ligt. Als het zaagblad omhoog gebracht wordt terwijl het nog draait, kan dit stuk hout door het zaagblad gepakt worden waardoor fragmenten worden rondgeslingerd. Dit is gevaarlijk. Het zaagblad mag ALLEEN omhoog worden gebracht nadat dit volledig tot stilstand is gekomen.
  - Bij het omlaagbrengen van het zaagblad, moet de uitgeoefende druk parallel zijn aan het zaagblad. Als tijdens het zagen de druk niet parallel aan het zaagblad wordt uitgeoefend, kan de hoek van het zaagblad verlopen waardoor een onzuivere zaagsnede ontstaat.
- ### 4. Samengesteld verstekzagen
- Samengesteld-verstekzagen is een bewerking waarbij verticaal-verstekzagen wordt gecombineerd met horizontaal-verstekzagen in een werkstuk. Samengesteld-verstekzagen kan worden uitgevoerd met de hoeken aangegeven in de tabel.

Verticaal-verstekhoek	Verstekhoek
45°	Links en rechts 0 t/m 45°

Als u samengesteld-verstekzagen wilt uitvoeren, raadpleegt u de beschrijvingen onder "Rechtzagen", "Verstekzagen" en "Verticaal-verstekzagen"

## 5. Een aluminiumprofiel zagen (zie afb. 27)

Als u een aluminiumprofiel wilt vastklemmen in de bankschroef, maakt u gebruik van vulblokken of stuken afvalhout, zoals aangegeven in afbeelding, om te voorkomen dat het aluminiumprofiel vervormt. Gebruik snijolie als smeermiddel bij het zagen van een aluminiumprofiel om te voorkomen dat aluminiumslijpsel zich op het zaagblad ophoopt.

### LET OP:

- Probeer nooit dikke aluminiumprofielen of ronde aluminiumpijpen te zagen. Dikke aluminiumprofielen kunnen losschieten tijdens het zagen en ronde aluminiumpijpen kunnen niet stevig worden vastgeklemd in dit gereedschap.

## 6. Houten bekleding (zie afb. 28)

Het gebruik van houten bekleding draagt bij aan het splintervrij zagen van werkstukken. Bevestig de houten bekleding op de geleider met gebruikmaking van de gaten in de geleider. Zie de afbeelding voor de afmetingen van de aanbevolen houten bekleding.

### LET OP:

- Gebruik voor de houten bekleding recht hout van gelijkmatige dikte.
- Bevestig de houten bekleding aan de geleider met behulp van schroeven. De schroeven dienen zodanig te worden ingedraaid dat de schroefkoppen zich onder het oppervlak van de houten bekleding bevinden.
- Als de houten bekleding op de geleider is bevestigd, mag u de draaitafel niet meer verdraaien terwijl de handgreep omlaag staat. Hierdoor zullen het zaagblad en/of de houten bekleding worden beschadigd.
- De maximale zaagdikte moet worden verminderd met de dikte van de houten bekleding.

## 7. Steeds dezelfde lengte afzagen (zie afb. 29)

Als u meerdere werkstukken op dezelfde lengte wilt afzagen, van 240 mm tot 380 mm, kunt u efficiënter werken door gebruik te maken van de stelplaat (los verkrijgbaar). Monteer de stelplaat op de steunstang (los verkrijgbaar), zoals aangegeven in de afbeelding. Lijn de zaaglijn op uw werkstuk uit met de linker- of rechterzijkant van de groef in de zaagsnedeplank, en terwijl u het werkstuk vasthoudt zodat het niet kan bewegen, schuift u de stelplaat tegen het uiteinde van het werkstuk. Zet vervolgens de stelplaat vast met behulp van de vleugelschroef. Wanneer de stelplaat niet wordt gebruikt, draait u de vleugelschroef los en klapt u de stelplaat aan de kant.

## Transport van het gereedschap (zie afb. 30)

Zorg ervoor dat de stekker uit het stopcontact is getrokken. Zet het zaagblad vast op een verticaal-verstekhoek van 0° en de draaitafel op maximaal horizontaal-verstek naar links. Breng de handgreep omlaag en vergrendel deze in de laagste stand door de vergrendelpen naar binnen te duwen. Draag het gereedschap aan het transporthandvat zoals aangegeven in de afbeelding. Als u de steunstangen, steunvoeten, stofzak, enz., verwijdt, kunt u het gereedschap gemakkelijker transporteren. (Zie afb. 31)

### LET OP:

- Zet altijd alle beweegbare delen vast voordat u het gereedschap transporteert.
- De vergrendelpen is uitsluitend bedoeld te worden gebruikt tijdens het transporteren en bewaren van het gereedschap, en niet tijdens het zagen.

## ONDERHOUD

### LET OP:

- Zorg er altijd voor dat de machine is uitgeschakeld en de stekker uit het stopcontact is getrokken, voordat u een inspectie of onderhoud uitvoert.

### WAARSCHUWING:

- Controleer altijd dat het zaagblad scherp en schoon is voor een veilig gebruik en optimale prestaties.

## De zaaghoek instellen

Dit gereedschap is in de fabriek zorgvuldig uitgelijnd en ingesteld, maar door grove behandeling kan de uitlijning zijn veranderd. Als het zaagblad niet goed is uitgelijnd, voert u de volgende afstelling uit:

### 1. Horizontaal-verstekhoek (zie afb. 32)

Draai het handvat los waarmee de draaitafel is vastgezet. Verdraai de draaitafel zodat de aanwijspunt precies 0° aangeeft op de verstekschaalverdeling. Draai het handvat vast en draai met de sleutel de zeskantbouten los waarmee de geleider is bevestigd. Als de aanwijspunt op de horizontaal-verstekschaalverdeling niet precies op 0 staat, draait u de schroef los waarmee de aanwijspunt is vastgezet, verplaatst u de aanwijspunt en zet u deze weer vast zodanig dat de aanwijspunt nu wel 0° aanwijst op de horizontaal-verstekschaalverdeling.

Breng de handgreep omlaag en vergrendel deze in de laagste stand door de vergrendelpen naar binnen te duwen. Zet de zijkant van het zaagblad haaks op de voorzijde van de geleider met behulp van een geodriehoek, winkelhaak, enz. Draai vervolgens de zeskantbouten van de geleider op volgorde vast vanaf de rechterkant. (Zie afb. 33)

### 2. Verticaal-verstekhoek

(1) Verticaal-verstekhoek van 0° (zie afb. 34)

Breng de handgreep omlaag en vergrendel deze in de laagste stand door de vergrendelpen naar binnen te duwen. Draai de knop aan de achterkant van het gereedschap los. Draai de zeskantmoer los en draai de stelbout voor de verticaal-verstekhoek van 0° aan de rechterkant van de draaitafel twee of drie volle slagen rechtsom zodat het zaagblad naar rechts kantelt.

Zet met behulp van een geodriehoek, winkelhaak, enz., de zijkant van het zaagblad nauwkeurig haaks op het bovenoppervlak van de draaitafel door de stelbout voor de verticaal-verstekhoek van 0° linksom te draaien. Draai vervolgens de zeskantmoer vast om de stelbout voor de verticaal-verstekhoek van 0° te borgen en draai de knop aan de achterkant van het gereedschap stevig vast.

Controleer dat de aanwijspunt op de arm naar 0° wijst op de verticaal-verstekschaalverdeling. Als de aanwijspunt op de verticaal-verstekschaalverdeling niet precies op 0 staat, draait u de schroef los

waarmee de aanwijspunt is vastgezet, verplaatst u de aanwijspunt en zet u deze weer vast zodanig dat de aanwijspunt nu wel 0° aanwijst op de verticaal-verstekschaalverdeling (zie afb. 35 en 36) .

(2) Verticaal-verstekhoek van 45° (zie afb. 37)

Stel de verticaal-verstekhoek van 45° alleen af nadat u eerst de verticaal-verstekhoek van 0° hebt afgesteld. Om de verticaal-verstekhoek van 45° naar links af te stellen, draait u de knop los en kantelt u het zaagblad volledig naar links. Controleer dat de aanwijspunt op de arm naar 45° wijst op de verticaal-verstekschaalverdeling op de arm. Als de aanwijspunt niet precies op 45° staat, draait u de stelbout voor de verticaal-verstekhoek van 45° aan de linkerkant van de arm totdat de aanwijspunt wel 45° aanwijst.

## **De koolborstels vervangen (zie afb. 38)**

Verwijder en controleer de koolborstels regelmatig. Vervang deze wanneer ze tot 3 mm lengte zijn afgesleten. Houd de koolborstels schoon en zorg ervoor dat ze vrij kunnen bewegen in de houders. Beide koolborstels dienen tegelijkertijd te worden vervangen. Gebruik alleen identieke koolborstels.

Gebruik een schroevendraaier om de koolborsteldoppen te verwijderen. Haal de versleten koolborstels eruit, plaats de nieuwe erin, en zet de koolborsteldoppen goed vast (Zie afb. 39)

## **Na gebruik**

- Veeg na gebruik spaanders en zaagsel van het gereedschap af met een doek of iets dergelijks. Houd het zaagblad schoon volgens de instructies hiervoor beschreven onder "Zaagblad". Smeer de schuivende delen met machineolie om roesten te voorkomen.

Om de VEILIGHEID en BETROUWBAARHEID van het gereedschap te handhaven, dienen alle reparaties, onderhoud en afstellingen te worden uitgevoerd door een erkend Makita-servicecentrum, en altijd met gebruikmaking van originele Makita- vervangingsonderdelen.

## Explicación de los dibujos

- |  |                                    |   |
|--|------------------------------------|---|
| 1. Llave                                     | 19. Cubierta central               | 38. Extrusión de aluminio                     |
| 2. Pomo                                      | 20. Tornillo hexagonal             | 39. Bloque separador                          |
| 3. Placa auxiliar                            | 21. Carcasa de la hoja             | 40. Más de 10 mm                              |
| 4. Tornillo                                  | 22. Flecha                         | 41. Más de 460 mm                             |
| 5. Base                                      | 23. Hoja de sierra                 | 42. Orificio                                  |
| 6. Pasador de tope                           | 24. Husillo                        | 43. Placa de ajuste                           |
| 7. Perno                                     | 25. Brida                          | 44. Soporte                                   |
| 8. Protector de sierra                       | 26. Anillo                         | 45. Pasador de tope                           |
| 9. Tablero de corte                          | 27. Bolsa colector de polvo        | 46. Tornillos hexagonales                     |
| 10. Perno de ajuste                          | 28. Cierre                         | 47. Escuadra                                  |
| 11. Superficie superior de la base giratoria | 29. Soporte                        | 48. Perno de ajuste a 0°                      |
| 12. Periferia de la hoja                     | 30. Base giratoria                 | 49. Superficie superior de la base giratoria  |
| 13. Tope de guía                             | 31. Pomo de la prensa de tornillo  | 50. Perno de ajuste de ángulo de bisel de 45° |
| 14. Palanca de bloqueo                       | 32. Tornillo                       | 51. Tapa del portaescobillas                  |
| 15. Empuñadura                               | 33. Brazo de la prensa de tornillo | 52. Destornillador                            |
| 16. Puntero                                  | 34. Barra de la prensa de tornillo |   |
| 17. Palanca                                  | 35. Prensa de tornillo vertical    |   |
| 18. Interruptor disparador                   | 36. Prensa de tornillo             |   |
|  | 37. Bloque separador               |   |

## ESPECIFICACIONES

Modelo	MLS100
Diámetro de la hoja	255 mm
Diámetro de perforación	
Para todos los países excepto los países europeos	25,4 mm
Para los países europeos	30 mm
Capacidades máximas de corte (alto x ancho) con la hoja de 255 mm de diámetro	

Ángulo de bisel	Ángulo de inglete	
	0°	45° (izquierda y derecha)
0°	75 mm x 130 mm	75 mm x 90 mm
45° (izquierda)	48 mm x 120 mm	48 mm x 90 mm

Velocidad en vacío (mín <sup>-1</sup> )	4.200
Dimensiones (largo x ancho x alto)	610 mm x 485 mm x 515 mm
Peso neto	14,7 kg
Clase de seguridad	 II

- Debido a nuestro programa continuo de investigación y desarrollo, las especificaciones aquí descritas están sujetas a cambios sin previo aviso.
- Nota: Las especificaciones pueden ser diferentes de un país a otro.

### Símbolos

END217-2

Se utilizan los siguientes símbolos para el equipo. Asegúrese de que comprende su significado antes del uso.



..... Por su seguridad, retire las virutas y otras piezas pequeñas de la superficie de la mesa antes de utilizar la herramienta.



..... Sitúe siempre la guía auxiliar en la posición izquierda cuando realice cortes en bisel desde el lado izquierdo. De lo contrario, el operario puede sufrir heridas graves.



..... Para aflojar el tornillo, gírelo en el sentido de las agujas del reloj.

### Uso previsto

ENE004-1

Esta herramienta está diseñada para realizar cortes rectos y a inglete de gran precisión en la madera. Con las hojas de sierra adecuadas también es posible cortar aluminio.



..... Lea el manual de instrucciones.



..... DOBLE AISLAMIENTO



..... Para evitar heridas provocadas por pequeños fragmentos que puedan salir despedidos, después de realizar cortes no levante la sierra hasta que la hoja se detenga por completo.



..... Aleje las manos y los dedos de la hoja.

## Alimentación

ENF002-1

La herramienta debe conectarse solamente a una fuente de alimentación de la misma tensión que la indicada en la placa de características, y sólo puede funcionar con corriente alterna monofásica. El sistema de doble aislamiento de la herramienta cumple con las normas europeas y puede, por lo tanto, usarse también en tomacorrientes sin conductor de tierra.

## REGLAS DE SEGURIDAD ADICIONALES PARA LA HERRAMIENTA

ENB040-3

1. **Utilice protección para los ojos.**
2. **Mantenga las manos alejadas de la trayectoria de la hoja de sierra. Evite el contacto con las hojas que giran por inercia. Puede provocar lesiones graves.**
3. **No maneje la sierra si no están instalados los protectores. Compruebe que el protector de la hoja esté bien cerrado antes de cada uso. No utilice la sierra si el protector de la hoja no se mueve libremente y se cierra instantáneamente. Nunca sujete ni mantenga el protector de la hoja en la posición abierta.**
4. **No realice ninguna operación a mano alzada.** La pieza de trabajo debe estar sujeta firmemente contra la base giratoria y el tope de guía con la prensa de tornillo durante todas las operaciones. No utilice nunca la mano para sujetar la pieza de trabajo.
5. **No pase nunca la mano alrededor de la hoja de sierra.**
6. **Apague la herramienta y espere a que la hoja de sierra se haya detenido antes de mover la pieza de trabajo o cambiar los ajustes.**
7. **Desconecte la herramienta antes de cambiar la hoja o realizar reparaciones.**
8. No utilice la herramienta en presencia de líquidos o gases inflamables.
9. Antes de su uso, compruebe que la sierra no esté agrietada ni dañada. Una sierra agrietada o dañada debe sustituirse de inmediato.
10. Utilice sólo las bridas especificadas para esta herramienta.
11. Asegúrese de no dañar el mandril de sujeción, las bridas (especialmente la superficie de instalación) ni el perno. Si se dañan estas piezas, la hoja podría romperse. Si se dañan estas piezas, la hoja podría romperse.
12. Asegúrese de que la base giratoria esté bien sujeta y que no se moverá durante la operación.
13. Por su seguridad, retire las virutas y otras piezas pequeñas de la superficie de la mesa antes de utilizar la herramienta.
14. Evite cortar clavos. Antes de trabajar, inspeccione la pieza de trabajo y extraiga todos los clavos.
15. Asegúrese de que el bloqueo del eje esté suelto antes de encender el interruptor.
16. Asegúrese de que la hoja no entre en contacto con la base giratoria en la posición más baja.
17. Sujete firmemente el mango. Tenga en cuenta que la sierra se mueve ligeramente en sentido vertical cuando se pone en marcha y se detiene.
18. Asegúrese de que la hoja de sierra no esté tocando la pieza de trabajo antes de activar el interruptor.
19. Antes de utilizar la herramienta en una pieza de trabajo, deje en marcha la herramienta durante unos instantes. Está atento por si se producen vibraciones u oscilaciones, lo que indicaría que la hoja no se ha instalado correctamente o que está mal equilibrada.
20. Espere a que la hoja alcance la velocidad máxima antes de cortar.
21. Detenga la herramienta inmediatamente si observa alguna anomalía.
22. No intente bloquear el disparador en la posición de encendido.
23. Esté siempre alerta, especialmente cuando realice operaciones monótonas y repetitivas. No se deje llevar por una falsa sensación de seguridad. Las hojas son implacables.
24. Utilice siempre los accesorios recomendados en este manual. El uso de accesorios inadecuados, como discos abrasivos, puede provocar lesiones.
25. **No utilice la hoja para cortar otros materiales que no sean aluminio, madera o similares.**
26. **Conecte la sierra ingleteadora a un dispositivo colector de polvo mientras corta.**
27. **Seleccione hojas de sierra adecuadas para cada material que vaya a cortar.**
28. **Tenga cuidado al ranurar.**
29. **Sustituya el tablero de corte cuando se desgaste.**
30. **No utilice hojas de sierra fabricadas de acero de corte rápido.**
31. **El polvo que se forma cuando se utilizan contiene sustancias químicas que pueden provocar cáncer, anomalías congénitas u otros daños reproductivos. Algunas de estas sustancias químicas son:**
  - plomo de material con pintura con plomo
  - arsénico y cromo de madera tratada químicamenteEl riesgo de exposición varía en función de la frecuencia con la que realice este tipo de trabajo. Para reducir su exposición a estas sustancias químicas: trabaje en zonas bien ventiladas y con el equipo de seguridad aprobado como, por ejemplo, las mascarillas contra el polvo especialmente diseñadas para filtrar partículas microscópicas.
32. **Para reducir la emisión de ruido, asegúrese siempre de que la hoja esté afilada y limpia.**
33. **El operario debe conocer perfectamente el uso, ajuste y funcionamiento de la máquina.**
34. **Utilice hojas de sierra correctamente afiladas. No sobrepase la velocidad máxima que marca la hoja de sierra.**
35. **Absténgase de retirar las piezas cortadas u otras partes de la pieza de trabajo del área de corte mientras funcione la herramienta y la cabeza de la sierra no esté en la posición de descanso.**

## GUARDE ESTAS INSTRUCCIONES.

## INSTALACIÓN (Fig. 1 y 2)

La herramienta se suministra con el mango bloqueado en la posición inferior por medio del pasador de tope. Afloje



el tornillo con la llave suministrada con la herramienta y coloque la cabeza de la sierra en ángulo correcto. Extraiga el tornillo y sujete la cabeza de la sierra con el pomo.

### Montaje de la placa auxiliar (Fig. 3)

Monte la placa auxiliar utilizando el orificio de la base de la herramienta y sujétela apretando el tornillo.

### Montaje en el banco

La herramienta se suministra con el mango bloqueado en la posición inferior por medio del pasador de tope. Baje el mango levemente y tire del pasador de tope para soltarlo. (Fig. 4)

Esta herramienta debe atornillarse con cuatro pernos a una superficie nivelada y estable, utilizando para ello los orificios para pernos existentes en la base de la herramienta. De esta forma se evita que la herramienta pueda inclinarse y causar lesiones. (Fig. 5)

## DESCRIPCIÓN DEL FUNCIONAMIENTO

### PRECAUCIÓN:

- Asegúrese siempre de que la herramienta esté apagada y desenchufada antes de intentar realizar cualquier tipo de ajuste o comprobación en ella.

### Protector de la hoja (Fig. 3)

Cuando se baja el mango, el protector de la hoja se eleva automáticamente. El protector incluye un muelle que permite que vuelva a su posición original cuando se finaliza el corte y se eleva el mango. NO FUERCE NUNCA NI RETIRE EL PROTECTOR DE LA HOJA NI EL MUELLE QUE SUJETA EL PROTECTOR.

Por su propia seguridad, mantenga siempre el protector de la hoja en perfectas condiciones. Cualquier manejo irregular del protector de la hoja debe corregirse inmediatamente. Compruebe que el muelle funciona perfectamente y que el protector vuelve a su posición. NO UTILICE NUNCA LA HERRAMIENTA SI EL PROTECTOR DE LA HOJA O EL MUELLE ESTÁ DAÑADO, DEFECTUOSO O FUERA DE SITIO. SU USO EN TALES CONDICIONES PUEDE SER MUY PELIGROSO Y PUEDE PROVOCAR GRAVES LESIONES PERSONALES.

Si se ensucia el protector de la hoja transparente o si se adhiere polvo de sierra de forma que la hoja ya no pueda verse, desconecte la sierra y limpie el protector cuidadosamente con un paño húmedo. No utilice disolventes ni limpiadores basados en petróleo para limpiar el protector de plástico. Si se ensucia el protector de la hoja transparente o si se adhiere polvo de sierra de forma que la hoja o la pieza de trabajo ya no puedan verse, desconecte la sierra y limpie el protector cuidadosamente con un paño húmedo. No utilice disolventes ni limpiadores basados en petróleo para limpiar el protector de plástico.

Si el protector de la hoja está especialmente sucio y resulta difícil ver a través de él, utilice la llave suministrada para aflojar el perno de cabeza hexagonal que sujeta la cubierta central. Para aflojar el perno de cabeza hexagonal, gírelo en sentido contrario a las agujas del reloj y eleve el protector de la hoja y la cubierta central. Con el protector de la hoja en esta posición,

resulta más fácil limpiarlo por completo. Una vez finalizada la limpieza, invierta el procedimiento anterior y apriete el perno. No retire el muelle que sujeta el protector de la hoja. Si el protector sufre una decoloración con el tiempo o con la exposición a los rayos ultravioleta, póngase en contacto con un centro de servicio técnico de Makita para recibir un nuevo protector. NO FUERCE NI RETIRE EL PROTECTOR. (Fig. 7)

### Tablero de corte (Fig. 8)

Esta herramienta se presenta con el tablero de corte en la base giratoria para reducir al mínimo los desgarros en el lado de salida de un corte. Si el tablero de corte no incluye una ranura de corte de fábrica, debería cortar la ranura antes de utilizar la herramienta para cortar una pieza de trabajo. Encienda la herramienta y baje suavemente la hoja para cortar una ranura en el tablero de corte.

### Mantenimiento de la capacidad máxima de corte

El ajuste de fábrica de esta herramienta proporciona la capacidad máxima de corte para una hoja de sierra de 255 mm.

Cuando instale una hoja nueva, compruebe siempre la posición del límite inferior de la hoja y, si es necesario, ajústela del siguiente modo:

En primer lugar, desenchufe la herramienta. Baje el mango completamente. Con la ayuda de la llave, gire el perno de ajuste hasta que la periferia de la hoja sobresalga ligeramente por debajo de la superficie superior de la base giratoria en el punto donde el lado frontal del tope de guía se junta con la superficie inferior de la base giratoria. (Fig. 9)

Con la herramienta desenchufada, gire la hoja con la mano mientras sujeta el mango abajo del todo para asegurarse de que la hoja no entra en contacto con ninguna parte de la base inferior. Si es necesario, reajústela ligeramente. (Fig. 10)

### PRECAUCIÓN:

- Cuando instale una nueva hoja, compruebe siempre que la hoja no entra en contacto con ninguna parte de la base inferior cuando el mango está completamente abajo. Realice siempre esta operación con la herramienta desenchufada.

### Ajuste del ángulo de inglete (Fig. 11)

Afloje la empuñadura girándola en sentido contrario a las agujas del reloj. Gire la base giratoria mientras empuja hacia abajo la palanca de bloqueo. Cuando haya movido la empuñadura hasta la posición en la que el puntero señala el ángulo deseado en la escala de inglete, gire la empuñadura en sentido de las agujas del reloj para apretarla firmemente.

### PRECAUCIÓN:

- Cuando gire la base giratoria, asegúrese de elevar completamente el mango.
- Después de cambiar el ángulo de inglete, apriete siempre firmemente la empuñadura para fijar la base giratoria.

### Ajuste del ángulo de bisel (Fig. 12 y 13)

Para ajustar el ángulo de bisel, afloje el pomo situado en la parte posterior de la herramienta en el sentido contrario a las agujas del reloj.

Empuje el mango hacia la izquierda para inclinar la hoja de la sierra hasta que el puntero quede alineado con el ángulo deseado en la escala de biselado.

A continuación, apriete el pomo en el sentido de las agujas del reloj para fijar firmemente el brazo.

#### **PRECAUCIÓN:**

- Cuando incline la hoja de la sierra, asegúrese de elevar completamente el mango.
- Una vez cambiado el ángulo de bisel, sujete siempre el brazo apretando el pomo en el sentido de las agujas del reloj.

## **Acción del interruptor**

#### **PRECAUCIÓN:**

- Antes de enchufar la herramienta, asegúrese siempre de que el interruptor disparador funcione como es debido y de que vuelva a la posición "OFF" (apagado) al soltarlo.

#### **Para los países europeos (Fig. 14)**

Para poner en marcha la herramienta, empuje la palanca hacia la derecha y tire del interruptor disparador. Suelte el interruptor disparador para detener la herramienta.

#### **Para todos los países excepto los países europeos (Fig. 15)**

Para poner en marcha la herramienta, simplemente accione el interruptor disparador. Suelte el interruptor disparador para detener la herramienta.

#### **ADVERTENCIA:**

- NUNCA utilice la herramienta sin un interruptor disparador totalmente operativo. Cualquier herramienta con un interruptor que no funcione es MUY PELIGROSA y debe repararse para que se pueda utilizar.

## **MONTAJE**

#### **PRECAUCIÓN:**

- Asegúrese siempre de que la herramienta esté apagada y desenchufada antes de intentar realizar cualquier trabajo en ella.

### **Instalación o extracción de la hoja de sierra**

#### **PRECAUCIÓN:**

- Asegúrese siempre de que la herramienta esté apagada y desenchufada antes de instalar o extraer la hoja.
- Utilice sólo la llave de Makita suministrada para instalar o extraer la hoja. De lo contrario, podría apretar demasiado o de forma insuficiente el perno de cabeza hexagonal y provocar lesiones.

Al extraer o instalar la hoja, mantenga el mango levantado. (Fig. 16)

Para extraer la hoja, utilice la llave para aflojar el perno de cabeza hexagonal que sujeta la cubierta central, girándolo en sentido contrario a las agujas del reloj. Suba el protector de la hoja y la cubierta central. (Fig. 17)

Presione el bloqueo del eje para bloquear el husillo y utilice la llave para aflojar el perno hexagonal, girándolo en el sentido de las agujas del reloj. A continuación, extraiga el perno hexagonal, la brida exterior y la hoja. (Fig. 18)

Para instalar la hoja, móntela con cuidado en el husillo comprobando que la dirección de la flecha en la superficie de la hoja coincide con la dirección de la flecha en la carcasa de la hoja. Instale la brida exterior y el perno hexagonal y, a continuación, utilice la llave para apretar firmemente el perno hexagonal en el sentido de las agujas del reloj (con la mano izquierda) mientras presiona el bloqueo del eje. (Fig. 19 y 20)

#### **PRECAUCIÓN:**

- El anillo de 25,4 mm o 30 mm del diámetro exterior viene instalado de fábrica en el husillo. Antes de montar la hoja en el husillo, compruebe que el anillo correcto del orificio para el eje de la hoja que va a utilizar esté instalado en el husillo.

Instale la brida exterior y el perno hexagonal y, a continuación, utilice la llave para apretar firmemente el perno hexagonal en el sentido de las agujas del reloj (con la mano izquierda) mientras presiona el bloqueo del eje.

Coloque el protector de sierra y la cubierta central en su posición original. A continuación, apriete el perno de cabeza hexagonal girándolo en sentido de las agujas del reloj para fijar la cubierta central. Baje el mango para asegurarse de que el protector de la hoja se mueve correctamente. Asegúrese de que el bloqueo del eje ha soltado el husillo antes de realizar el corte.

### **Bolsa colectora de polvo (Fig. 21 y 22)**

El uso de la bolsa colectora de polvo ayuda a mantener la limpieza en las operaciones de corte y facilita la recolección del polvo. Para instalar la bolsa colectora de polvo, ajústela en la boquilla de polvo.

Cuando la bolsa colectora de polvo esté medio llena, extráigala de la herramienta y tire del cierre. Vacíe la bolsa colectora de polvo y golpéela ligeramente para retirar las partículas adheridas al interior que podrían dificultar la posterior recolección.

#### **NOTA:**

Si conecta un aspirador Makita a la sierra, obtendrá una limpieza más eficaz.

### **Fijación de la pieza de trabajo**

#### **ADVERTENCIA:**

- Es muy importante fijar siempre la pieza de trabajo correcta y firmemente con la ayuda de la prensa de tornillo. De lo contrario, la herramienta podría dañarse y/o la pieza de trabajo podría destruirse. TAMBIÉN PODRÍA PROVOCAR LESIONES. Tras realizar una operación de corte, NO levante la hoja hasta que se haya detenido completamente.

#### **PRECAUCIÓN:**

- Cuando corte piezas de trabajo largas, utilice soportes de una altura equivalente al nivel de la superficie superior de la base giratoria. No confíe únicamente en la prensa de tornillo vertical y/o horizontal para fijar la pieza de trabajo.
- Los materiales finos tienden a hundirse. Apoye la pieza de trabajo en toda su longitud para evitar el pinzamiento de la hoja y un posible RETROCESO. (Fig. 23)

### **Prensa de tornillo vertical (Fig. 24)**

La prensa de tornillo vertical se puede instalar en dos posiciones, a la izquierda o a la derecha del tope de guía.

Inserte la barra de la prensa de tornillo en el tope de guía y apriete el tornillo para sujetarla.

Coloque el brazo de la prensa de tornillo en función del grosor y la forma de la pieza de trabajo y sujételo apretando el tornillo. Asegúrese de que ninguna parte de la herramienta entre en contacto con la prensa de tornillo al bajar por completo el mango. Si eso ocurre, cambie de posición la prensa de tornillo.

Presione la pieza de trabajo horizontalmente hacia el tope guía y la base giratoria. Sitúe la pieza de trabajo en la posición de corte que desee y sujétela firmemente apretando el pomo de la prensa de tornillo.

#### PRECAUCIÓN:

- La pieza de trabajo debe estar sujeta firmemente contra la base giratoria y el tope de guía con la prensa de tornillo durante todas las operaciones.

## MANEJO

#### PRECAUCIÓN:

- Antes de utilizar la herramienta, suelte el mango desde la posición inferior tirando del pasador de tope.
- Asegúrese de que la hoja no esté tocando la pieza de trabajo antes de activar el interruptor.
- No aplique una presión excesiva sobre el mango durante el corte. Si hace demasiada fuerza, puede sobrecargar el motor y/o disminuir la eficacia de corte. Presione el mango hacia abajo únicamente con la fuerza necesaria para realizar un corte suave sin reducir demasiado la velocidad de la hoja.
- Presione suavemente el mango hacia abajo para realizar el corte. Si presiona el mango con fuerza o aplica una fuerza lateral, la hoja vibrará y dejará una marca de sierra en la pieza de trabajo, y el corte podría no ser tan preciso.

#### 1. Corte presionando (Fig. 25)

Fije la pieza de trabajo con la prensa de tornillo. Encienda la herramienta sin que la hoja entre en contacto con ninguna pieza y espere hasta que la pieza alcance la velocidad máxima para bajarla. A continuación, baje suavemente el mango hasta su posición inferior para cortar la pieza de trabajo. Una vez realizado el corte, apague la herramienta y ESPERE HASTA QUE LA HOJA SE HAYA DETENIDO COMPLETAMENTE antes de volver a levantarla hasta su posición más alta.

#### 2. Corte a inglete

Consulte el apartado anterior "Ajuste del ángulo de inglete".

#### 3. Corte en bisel (Fig. 26)

Afloje el pomo e incline la hoja de la sierra para ajustar el ángulo de bisel (consulte el apartado anterior "Ajuste del ángulo de bisel"). Vuelva a apretar firmemente el pomo para fijar con seguridad el ángulo de bisel seleccionado. Fije la pieza de trabajo con la prensa de tornillo. Encienda la herramienta sin que la hoja entre en contacto con ninguna pieza y espere hasta que la hoja alcance la velocidad máxima. A continuación baje el mango completamente con suavidad a la vez que aplica presión paralela a la hoja. Una vez realizado el corte, apague la herramienta y ESPERE HASTA QUE LA HOJA SE

HAYA DETENIDO COMPLETAMENTE antes de volver a levantarla hasta su posición más alta.

#### PRECAUCIÓN:

- Compruebe siempre que la hoja se desplace hacia abajo en la dirección de bisel durante un corte en bisel. Mantenga las manos alejadas de la trayectoria de la hoja de sierra.
- Durante el corte en bisel, puede crearse una condición en la que la pieza cortada quede inmóvil contra la cara de la hoja. Si se eleva la hoja cuando todavía está girando, esta pieza podría quedarse atrapada por la hoja y producir fragmentos que saldrían despedidos, lo cual es peligroso. La hoja se deberá elevar SOLAMENTE después de que se haya parado completamente.
- Cuando presione hacia abajo el mango, aplique fuerza paralela a la hoja. Si la fuerza no se aplica en paralelo a la hoja durante el corte, puede que se modifique el ángulo de la hoja, por lo que la precisión de corte se deteriorará.

#### 4. Corte compuesto

El corte compuesto es el procedimiento en el cual se realiza un corte en bisel al mismo tiempo que se está realizando un corte en ángulo de inglete en la pieza de trabajo. El corte compuesto puede realizarse con los ángulos mostrados en la tabla siguiente.

Ángulo de bisel	Ángulo de inglete
45°	Izquierdo y derecho 0° - 45°

Cuando realice cortes compuestos, consulte las explicaciones de los apartados "Corte presionando", "Corte a inglete" y "Corte en bisel".

#### 5. Corte de extrusión de aluminio (Fig. 27)

Cuando fije extrusiones de aluminio, utilice bloques separadores o piezas de desecho, como las que se muestran en la figura, para evitar la deformación del aluminio. Utilice un lubricante de corte para cortar la extrusión de aluminio con el fin de evitar la acumulación de material de aluminio en la hoja.

#### PRECAUCIÓN:

- No intente nunca cortar extrusiones de aluminio gruesas o redondas. Las extrusiones de aluminio gruesas pueden soltarse durante el uso de la herramienta y las extrusiones de aluminio redondas no pueden fijarse firmemente con esta herramienta.

#### 6. Revestimientos de madera (Fig. 28)

El uso de revestimientos de madera ayuda a realizar el corte de la pieza de trabajo sin formar astillas. Acople un revestimiento de madera al tope de guía utilizando los orificios del tope de guía. Consulte la figura donde se muestran las dimensiones para el revestimiento de madera sugerido.

#### PRECAUCIÓN:

- Utilice madera recta de grosor parejo como revestimiento.
- Utilice tornillos para acoplar el revestimiento de madera al tope de guía. Estos tornillos deben colocarse de tal manera que las cabezas queden por debajo de la superficie del revestimiento de madera.
- Una vez que el revestimiento de madera esté colocado, no gire la base giratoria si el mango está

abajo. Si lo hace, la hoja y/o el revestimiento de madera podrían dañarse.

- La anchura máxima de corte quedará reducida por la anchura del revestimiento de madera.

#### 7. Corte de piezas de la misma longitud (Fig. 29)

Cuando se cortan varias piezas del mismo largo, entre 240 mm y 380 mm, el uso de la placa de ajuste (accesorio opcional) facilitará la operación. Instale la placa de ajuste en el soporte (accesorio opcional) tal y como se muestra en la figura. Mantenga la línea de corte de la pieza de trabajo alineada con el lado derecho o izquierdo de la ranura en el tablero de corte y, mientras sujeta la pieza de trabajo para evitar que se mueva, mueva la placa de ajuste al mismo nivel que el extremo de la pieza de trabajo. A continuación, fije la placa de ajuste con el tornillo. Cuando no utilice la placa de ajuste, afloje el tornillo y gire la placa de ajuste para dejarla a un lado.

### Transporte de la herramienta (Fig. 30)

Asegúrese de que la herramienta esté desenchufada. Fije la hoja en un ángulo de bisel de 0° y la base giratoria en un ángulo de inglete totalmente a la izquierda. Baje el mango completamente para bloquearlo en la posición bajada empujando el pasador de tope. Coja la máquina sujetándola por la empuñadura de transporte tal como se muestra en la figura. Si extrae los soportes, la bolsa colectora de polvo, etc., podrá transportarla con más facilidad. (Fig. 31)

#### PRECAUCIÓN:

- Fije siempre todas las partes móviles antes de transportar la herramienta.
- El pasador de tope se utiliza únicamente para transportar la herramienta y guardarla, y no durante las operaciones de corte.

## MANTENIMIENTO

#### PRECAUCIÓN:

- Asegúrese siempre de que la herramienta esté apagada y desenchufada antes de intentar realizar cualquier trabajo de inspección o mantenimiento en ella.

#### ADVERTENCIA:

- Asegúrese siempre de que la hoja esté afilada y limpia a fin de trabajar de una manera más eficiente y segura.

### Ajuste del ángulo de corte

Esta herramienta se suministra cuidadosamente ajustada y alineada de fábrica pero una manipulación descuidada puede afectar a la alineación. Si su herramienta no está correctamente alineada, realice lo siguiente:

#### 1. Ángulo de inglete (Fig. 32)

Afloje la empuñadura que fija la base giratoria. Gire la base giratoria de modo que el puntero señale 0° en la escala de inglete. Sujete la empuñadura y afloje los pernos hexagonales que sujetan el tope de guía con la ayuda de la llave. Si el puntero no indica 0° en la escala de inglete, afloje el tornillo que sujeta el puntero, modifique su posición y vuelva a sujetarlo para que indique 0°. Baje el mango completamente para bloquearlo en la posición bajada empujando el pasador de tope. Cuadre el lado de la hoja con la cara del tope de guía

utilizando una escuadra o similar. Luego ajuste bien los pernos de cabeza hexagonal en el tope de guía comenzando por el lado derecho. (Fig. 33)

#### 2. Ángulo de bisel

##### (1) Ángulo de bisel de 0° (Fig. 34)

Baje el mango completamente para bloquearlo en la posición bajada empujando el pasador de tope. Afloje el pomo situado en la parte posterior de la herramienta. Afloje la tuerca hexagonal y gire el perno de ajuste del ángulo de bisel de 0° situado en el lado derecho de la base giratoria dos o tres vueltas en el sentido de las agujas del reloj para inclinar la hoja hacia la derecha.

Encuadre cuidadosamente la cara de la hoja con la superficie superior de la base giratoria usando una escuadra, cartabón, etc. girando el perno de ajuste del ángulo de bisel de 0° en el sentido contrario a las agujas del reloj. Luego apriete la tuerca hexagonal para sujetar el perno de ajuste del ángulo de bisel de 0° y apriete el pomo firmemente.

Cerciórese de que el puntero del brazo indique 0° en la escala de biselado. Si el puntero no indica 0° en la escala de biselado, afloje el tornillo que sujeta el puntero, modifique su posición y vuelva a sujetarlo para que indique 0°. (Fig. 35 y 36)

##### (2) Ángulo de bisel de 45° (Fig. 37)

Ajuste el ángulo de bisel de 45° sólo después de haber realizado el ajuste del ángulo de bisel de 0°. Para ajustar el ángulo de bisel izquierdo de 45°, afloje el pomo e incline la hoja totalmente hacia la izquierda. Cerciórese de que el puntero del brazo indique 45° en la escala de biselado. Si no indica 45°, gire el perno de ajuste del ángulo de bisel de 45° del lado izquierdo del brazo hasta que el puntero indique 45°.

### Reemplazo de las escobillas de carbón (Fig. 38)

Extraiga y compruebe las escobillas de carbón regularmente. Reemplácelas cuando se gasten hasta una longitud de 3 mm. Mantenga las escobillas de carbón limpias y de forma que entren libremente en los portaescobillas. Ambas escobillas de carbón deberán ser reemplazadas al mismo tiempo. Utilice únicamente escobillas de carbón idénticas.

Utilice un destornillador para extraer las tapas de los portaescobillas. Saque las escobillas de carbón desgastadas, inserte las nuevas y cierre las tapas de los portaescobillas. (Fig. 39)

### Después del uso

- Después de utilizar la herramienta, limpie los restos de astillas y polvo con un paño o similar. Mantenga el protector de la hoja limpio según lo descrito en las instrucciones proporcionadas en el apartado "Protector de la hoja". Lubrique las partes deslizantes con aceite para máquinas para evitar que se oxiden.

Para conservar la SEGURIDAD y la FIABILIDAD del producto, los trabajos de reparación y otros trabajos de mantenimiento y ajuste deberán ser realizados en centros de servicio autorizados de Makita, utilizando siempre repuestos Makita.

# PORTUGUÊS

## Descrição geral

1. Chave	19. Cobertura central	38. Perfil de alumínio
2. Manípulo	20. Parafuso sextavado	39. Bloco espaçador
3. Chapa auxiliar	21. Caixa da lâmina	40. Mais de 10 mm
4. Parafuso	22. Seta	41. Mais de 460 mm
5. Base	23. Lâmina da serra	42. Orifício
6. Pino batente	24. Fuso	43. Chapa de acerto
7. Parafuso	25. Flange	44. Suporte
8. Protecção da lâmina	26. Anel	45. Pino batente
9. Placa de corte	27. Saco de pó	46. Parafusos sextavados
10. Parafuso de ajuste	28. Fixador	47. Guia triangular
11. Superfície superior da base rotativa	29. Suporte	48. Parafuso de ajuste a 0°
12. Periferia da lâmina	30. Base rotativa	49. Superfície superior da base rotativa
13. Vedação de guia	31. Manípulo do torno	50. Parafuso de ajuste do ângulo de bisel a 45°
14. Alavanca de bloqueio	32. Parafuso	51. Tapa do porta-escovas
15. Pega	33. Braço do torno	52. Chave de parafusos
16. Ponteiro	34. Haste do torno	
17. Alavanca	35. Torno vertical	
18. Gatilho	36. Torno	
	37. Bloco espaçador	

## ESPECIFICAÇÕES

Modelo	MLS100
Diâmetro da lâmina	255 mm
Diâmetro do orifício	
Para todos os países não europeus	25,4 mm
Para os países europeus	30 mm
Capacidades máximas de corte (A x L) com uma lâmina de 255 mm de diâmetro	

Ângulo de bisel	Ângulo de corte angular	
	0°	45° (à esquerda e direita)
0°	75 mm x 130 mm	75 mm x 90 mm
45° (à esquerda)	48 mm x 120 mm	48 mm x 90 mm

Velocidade de rotação sem carga (min. <sup>-1</sup> )	4.200
Dimensões (C x A x L)	610 mm x 485 mm x 515 mm
Peso líquido	14,7 kg
Classe de segurança	II

- Devido à pesquisa e desenvolvimento constantes, estas especificações estão sujeitas a alteração sem aviso prévio.
- Nota: estas especificações podem diferir de país para país.

### Símbolos

END217-2

Descrição dos símbolos utilizados no equipamento.  
Certifique-se de que compreende o seu significado, antes da utilização.



..... Leia o manual de instruções.



..... BLINDAGEM DUPLA



..... Para evitar ferimentos resultantes da projecção de resíduos, após a realização do corte mantenha a cabeça da serra para baixo até a lâmina parar completamente.



..... Não aproxime as mãos nem os dedos da lâmina.



..... Para sua segurança, retire as farpas, peças pequenas, etc. de cima da mesa antes de começar a utilizar a ferramenta.



..... Coloque sempre a SUB-VEDAÇÃO no lado esquerdo ao realizar cortes em bisel para o lado esquerdo. O não cumprimento destas instruções poderá resultar em causar ferimentos graves no operador.



..... Para desapertar o parafuso, rode-o para a direita.

### Utilização prevista

ENE004-1

A ferramenta destina-se à realização de cortes precisos a direito e em ângulo. Através da colocação de lâminas adequadas, também pode cortar alumínio.

## Fonte de alimentação

ENF002-1

A ferramenta apenas deve ser ligada a uma fonte de alimentação da mesma tensão que a indicada na chapa de especificações, e apenas pode funcionar com uma alimentação CA monofásica. Estão blindadas duplamente, de acordo com a Norma Europeia e podem, assim, ser igualmente ligadas a tomadas sem fio terra.

## REGRAS ADICIONAIS DE SEGURANÇA PARA A FERRAMENTA

ENB040-3

1. **Utilize protecção para os olhos.**
2. **Mantenha as mãos afastadas do percurso da lâmina. Evite o contacto com qualquer lâmina em abrandamento. Ainda pode provocar ferimentos graves.**
3. **Não utilize a serra sem as protecções colocadas. Verifique se a protecção da lâmina fecha correctamente antes de cada utilização. Não accione a serra se a protecção da lâmina não se mover livremente e não se fechar imediatamente. Nunca prenda nem amarre a protecção da lâmina na posição aberta.**
4. **Não efectue qualquer operação à mão livre.** A peça de trabalho deve estar firmemente fixa à base rotativa e à vedação de guia com o torno durante todas as operações. Nunca segure a peça de trabalho com a sua mão.
5. **Nunca coloque as mãos ou braços próximos da lâmina para alcançar alguma coisa.**
6. **Desligue a ferramenta e aguarde que a lâmina páre antes de deslocar a peça de trabalho ou alterar definições.**
7. **Desligue a ferramenta da tomada antes de mudar a lâmina ou efectuar qualquer tipo de manutenção.**
8. Não utilize a ferramenta na presença de líquidos ou gases inflamáveis.
9. Verifique cuidadosamente se a lâmina apresenta fissuras ou danos, antes de utilizar. Substitua imediatamente uma lâmina fissurada ou danificada.
10. Utilize apenas as flanges especificadas para esta ferramenta.
11. Tenha cuidado para não danificar o mandril, as flanges (especialmente a superfície de instalação) ou o parafuso. Os danos nestas peças podem resultar em quebra da lâmina.
12. **Certifique-se de que a base rotativa está devidamente fixa para que não se desloque durante a utilização da ferramenta.**
13. Para sua segurança, retire as farpas, peças pequenas, etc. de cima da mesa antes de começar a utilizar a ferramenta.
14. Evite cortar pregos. Verifique a existência e retire todos os pregos da peça de trabalho, antes de utilizar a ferramenta.
15. **Certifique-se de que o bloqueio do veio foi libertado antes de ligar o interruptor.**
16. **Certifique-se de que a lâmina não toca na base rotativa na posição mais baixa.**
17. **Segure bem na alavanca. Tenha atenção que a serra desloca-se ligeiramente para cima ou para baixo durante o arranque e paragem.**
18. **Certifique-se de que a lâmina não está em contacto com a peça de trabalho antes de ligar o interruptor.**
19. **Antes de utilizar a ferramenta numa peça de trabalho, deixe-a a trabalhar durante algum tempo. Procure a existência de vibrações ou oscilações que possam indicar uma má fixação ou uma lâmina mal equilibrada.**
20. **Aguarde até que a lâmina atinja a velocidade máxima antes de cortar.**
21. **Interrompa imediatamente a utilização da ferramenta caso note algo de anormal.**
22. **Não tente bloquear o gatilho na posição ligada.**
23. **Mantenha-se sempre alerta, principalmente durante operações repetitivas e monótonas. Não se deixe levar por uma falsa sensação de segurança. As lâminas são implacáveis.**
24. **Utilize sempre os acessórios recomendados neste manual. A utilização de acessórios inadequados como, por exemplo, rodas abrasivas, podem causar ferimentos.**
25. **Não utilize a serra para cortar outros materiais para além de madeira, alumínio e outros semelhantes.**
26. **Ligue as serras de esquadria a um dispositivo de recolha de pó enquanto estiver a serrar.**
27. **Selecione as lâminas tendo em conta o material a cortar.**
28. **Tenha cuidado durante a criação de ranhuras na peça.**
29. **Substitua a placa de corte assim que estiver gasta.**
30. **Não utilize lâminas fabricadas em aço para altas velocidades.**
31. **O pó resultante de determinadas operações contém químicos conhecidos como causadores de cancro, defeitos congénitos e outros efeitos negativos ao nível da reprodução. Seguem-se alguns exemplos desses químicos:**
  - **chumbo de materiais pintados com tinta à base de chumbo e,**
  - **arsénico e crómio de madeira tratada quimicamente. O risco resultante da exposição a estes químicos varia, dependendo do número de vezes que faz este tipo de trabalho. Para reduzir a exposição a estes químicos: trabalhe numa área bem ventilada e utilizando equipamento de segurança aprovado como, por exemplo máscaras para o pó especialmente concebidas para filtrar partículas microscópicas.**
32. **Para reduzir o nível de emissão de ruído, certifique-se sempre de que a lâmina está afiada e limpa.**
33. **O operador deverá ter formação adequada ao nível da utilização, ajuste e operação da máquina.**
34. **Utilize correctamente as lâminas afiadas. Cumpra a velocidade máxima indicada na lâmina.**
35. **Evite retirar quaisquer pedaços de madeira cortada ou outras partes da peça de trabalho da área de corte enquanto a ferramenta estiver a trabalhar e a cabeça da serra não estiver na posição de descanso.**

# GUARDE ESTAS INSTRUÇÕES.

## INSTALAÇÃO (Fig. 1 e 2)

A ferramenta é enviada com a alavanca bloqueada na posição descida pelo pino batente. Desaperte o parafuso com a chave fornecida com a ferramenta e desloque a cabeça da serra para o ângulo adequado. Retire o parafuso e fixe a cabeça da serra com o manípulo.

### Instalar a chapa auxiliar (Fig. 3)

Instale a chapa auxiliar utilizando o orifício existente na base da ferramenta e fixe-a apertando o parafuso.

### Montagem em bancada

A ferramenta é enviada com a alavanca bloqueada na posição descida pelo pino batente. Solte o pino batente descendo ligeiramente a manivela e puxando-o. (Fig. 4)

Esta ferramenta deve ser aparafusada com quatro parafusos sobre uma superfície nivelada e estável utilizando os orifícios que se encontram na base da mesma. Isto ajudará a evitar que a mesma se incline e possíveis ferimentos. (Fig. 5)

## DESCRIÇÃO DO FUNCIONAMENTO

### PRECAUÇÃO:

- Certifique-se sempre de que a ferramenta está desligada no interruptor e da tomada antes de proceder a ajustes ou testes à mesma.

### Protecção da lâmina (Fig. 6)

Quando desce a alavanca, a protecção da lâmina sobe automaticamente. A protecção é accionada por mola pelo que regressa à posição inicial no final do corte, quando a alavanca é subida. **NUNCA DESACTIVE NEM RETIRE A PROTECÇÃO DA LÂMINA NEM A MOLLA FIXA À PROTECÇÃO.**

No interesse da sua própria segurança, mantenha sempre a protecção da lâmina em bom estado. Qualquer operação irregular da protecção da lâmina deve ser imediatamente corrigida. Verifique a correcta acção de retorno por mola da protecção. **NUNCA UTILIZE A FERRAMENTA CASO A PROTECÇÃO DA LÂMINA OU A MOLLA ESTEJAM DANIFICADAS, APRESENTEM FALHAS OU TENHAM SIDO REMOVIDAS. O NÃO CUMPRIMENTO DESTA INSTRUÇÃO É MUITO PERIGOSO E PODE RESULTAR EM FERIMENTOS PESSOAIS GRAVES.**

Se a protecção da lâmina transparente se sujar ou apresentar serrim de modo a impedir a visualização fácil da lâmina, desligue a serra da tomada e limpe cuidadosamente a protecção com um pano húmido. Não utilize solventes nem quaisquer agentes de limpeza à base de petróleo na protecção plástica. Se a protecção da lâmina transparente se sujar ou apresentar serrim de modo a impedir a visualização fácil da lâmina e/ou da peça de trabalho, desligue a serra da tomada e limpe cuidadosamente a protecção com um pano húmido. Não utilize solventes nem quaisquer agentes de limpeza à base de petróleo na protecção plástica.

Se a protecção da lâmina estiver muito suja e for impossível ver através da mesma, utilize a chave fornecida para desapertar o parafuso sextavado que segura a cobertura central. Desaperte o parafuso sextavado rodando-o para a esquerda e suba a protecção da lâmina e a cobertura central. Com a protecção da lâmina nesta posição é mais fácil limpar de modo eficiente e completo. No final da limpeza, inverta o procedimento acima e aperte o parafuso. Não retire a mola que segura a protecção da lâmina. Se a protecção ficar desbotada com a idade ou exposição aos raios UV, solicite uma nova protecção a um centro de assistência Makita. **NÃO DESACTIVE NEM RETIRE A PROTECÇÃO.** (Fig. 7)

### Placa de corte (Fig. 8)

Esta ferramenta está equipada com uma placa de corte na base rotativa para minimizar o dilaceramento no lado de saída de um corte. Se a ranhura de corte não tiver sido cortada na placa de corte na fábrica, deverá cortar a ranhura antes de utilizar a ferramenta para cortar uma peça de trabalho. Ligue a ferramenta e desça suavemente a lâmina para cortar uma ranhura na placa de corte.

### Manter a capacidade de corte máxima

Esta ferramenta foi ajustada de fábrica para facultar uma capacidade de corte máxima para uma lâmina de 255 mm.

Ao instalar uma nova lâmina, verifique sempre a posição do limite inferior da lâmina e, se necessário, ajuste-a como se segue:

Em primeiro lugar, desligue a ferramenta da tomada. Desça totalmente a alavanca. Utilize a chave para rodar o parafuso de ajuste até que a periferia da lâmina passe ligeiramente abaixo da superfície superior da base rotativa no ponto onde a face frontal da vedação de guia se encontra com a superfície superior da base rotativa. (Fig. 9)

Com a ferramenta desligada da tomada, rode a lâmina com a mão ao mesmo tempo que mantém a alavanca totalmente para baixo, para se certificar de que a lâmina não toca em nenhuma parte da base inferior. Se necessário volte a ajustar ligeiramente. (Fig. 10)

### PRECAUÇÃO:

- Depois de instalar uma nova lâmina, certifique-se sempre de que a lâmina não toca em nenhuma parte da base inferior quando a alavanca é totalmente descida. Faça isto sempre com a ferramenta desligada da tomada.

### Ajustar o ângulo de corte angular (Fig. 11)

Desaperte a pega rodando-a para a esquerda. Rode a base rotativa ao mesmo tempo que empurra a alavanca de bloqueio para baixo. Depois de ter deslocado a pega para a posição em que o ponteiro aponta para o ângulo pretendido na escala de corte angular, aperte firmemente a pega rodando-a para a direita.

### PRECAUÇÃO:

- Antes de rodar a base rotativa, certifique-se de que levanta totalmente a alavanca.
- Depois de alterar o ângulo de corte angular, fixe sempre a base rotativa apertando firmemente a pega.

## Ajustar o ângulo de bisel (Fig. 12 e 13)

Para ajustar o ângulo de bisel, desaperte o manípulo na parte de trás da ferramenta para a esquerda.

Empurre a alavanca para a esquerda para inclinar a lâmina até que o ponteiro aponte para o ângulo pretendido na escala de bisel.

De seguida, aperte firmemente o manípulo para a direita para fixar o braço.

### PRECAUÇÃO:

- Antes de inclinar a lâmina, certifique-se de que levanta totalmente a alavanca.
- Depois de alterar o ângulo de bisel, fixe sempre o braço apertando o manípulo para a direita.

## Ação do interruptor

### PRECAUÇÃO:

- Antes de inserir a ficha da ferramenta na tomada, verifique se o gatilho está a funcionar correctamente e se volta à posição "OFF" quando o solta.

### Para os países europeus (Fig. 14)

Para colocar a ferramenta em funcionamento, empurre a alavanca para a direita e puxe o gatilho. Para parar a ferramenta, solte o gatilho.

### Para todos os países não europeus (Fig. 15)

Para colocar a ferramenta em funcionamento prima o gatilho. Para parar a ferramenta, solte o gatilho.

### AVISO:

- NUNCA utilize a ferramenta sem um gatilho a funcionar correctamente. Qualquer ferramenta com um interruptor que não funcione correctamente é ALTAMENTE PERIGOSA e deve ser reparada antes de ser utilizada.

## MONTAGEM

### PRECAUÇÃO:

- Certifique-se sempre de que a ferramenta está desligada no interruptor e da tomada antes de efectuar qualquer trabalho na mesma.

## Instalar ou remover a lâmina

### PRECAUÇÃO:

- Certifique-se sempre de que a ferramenta está desligada e com a ficha desligada da tomada antes de instalar ou remover a lâmina.
- Utilize apenas a chave Makita fornecida para instalar ou remover a lâmina. Caso contrário, poderá apertar em demasia ou insuficientemente o parafuso sextavado. Isto poderá causar ferimentos.

Mantenha a alavanca na posição subida durante a remoção ou instalação da lâmina. (Fig. 16)

Para remover a lâmina, utilize a chave para desapertar o parafuso sextavado que fixa a cobertura central rodando-o para a esquerda. Eleve a protecção da lâmina e a cobertura central. (Fig. 17)

Prima o bloqueio do veio para bloquear o fuso e utilize a chave para desapertar o parafuso sextavado para a direita. De seguida, remova o parafuso sextavado, a flange exterior e a lâmina. (Fig. 18)

Para instalar a lâmina, monte-a cuidadosamente no fuso, certificando-se de que a direcção da seta na superfície da lâmina corresponde à direcção da seta na caixa da lâmina. Instale a flange exterior e o parafuso sextavado e, de seguida, utilize a chave para apertar o parafuso sextavado (lado esquerdo) firmemente para a esquerda ao mesmo tempo que pressiona o bloqueio do veio.

(Fig. 19 e 20)

### PRECAUÇÃO:

- O anel com um diâmetro externo de 25,4 mm ou 30 mm é instalado de fábrica no fuso. Antes de montar a lâmina no fuso, certifique-se sempre que foi instalado no fuso o anel correcto para o orifício do mandril da lâmina que pretende utilizar.

Instale a flange exterior e o parafuso sextavado e, de seguida, utilize a chave para apertar o parafuso sextavado (lado esquerdo) firmemente para a esquerda ao mesmo tempo que pressiona o bloqueio do veio.

Volte a colocar a protecção da lâmina e a cobertura central na posição inicial. De seguida, aperte o parafuso sextavado para a direita para fixar a cobertura central.

Desça a alavanca para se certificar de que a protecção da lâmina se desloca devidamente. Certifique-se de que o bloqueio do veio libertou o fuso antes de efectuar um corte.

## Saco do pó (Fig. 21 e 22)

A utilização do saco do pó torna as operações de corte mais limpas e facilita a recolha do pó. Para fixar o saco do pó, encaixe-o no bico de pó.

Quando o saco do pó estiver meio cheio, retire-o saco da ferramenta e puxe o fixador para fora. Esvazie o saco do pó, batendo-lhe ligeiramente de forma a remover as partículas coladas ao interior, que poderão interferir nas recolhas posteriores.

### NOTA:

Se ligar um aspirador Makita à sua serra, poderão ser efectuadas operações mais eficientes e mais limpas.

## Fixar a peça de trabalho

### AVISO:

- É extremamente importante fixar sempre a peça correcta e firmemente com o torno. O não cumprimento desta instrução poderá resultar em danos na ferramenta e/ou destruição da peça de trabalho. PODERÃO TAMBÉM OCORRER FERIMENTOS PESSOAIS. Além disso, após uma operação de corte, NÃO suba a lâmina até que esta tenha parado completamente.

### PRECAUÇÃO:

- Ao cortar peças de trabalho compridas, utilize suportes que atinjam a altura da superfície superior da base rotativa. Não confie apenas no torno vertical e/ou torno horizontal para fixar a peça de trabalho.
- O material fino tem tendência a abater. Apoie a peça de trabalho em todo o seu comprimento para evitar que a lâmina fique atracada e possível RECUO. (Fig. 23)

## Torno vertical (Fig. 24)

O torno vertical pode ser instalado em duas posições, no lado esquerdo ou direito da vedação de guia. Introduza a



haste do torno no orifício existente na vedação de guia e aperte o parafuso para fixar a haste do torno.

Posicione o braço do torno em conformidade com a espessura e a forma da peça de trabalho e fixe o braço do torno apertando o parafuso. Certifique-se de que nenhuma parte da ferramenta toda no torno quando desce totalmente a alavanca. Caso exista contacto entre as duas peças, reposicione o torno.

Encoste a peça de trabalho totalmente à vedação de guia e à base rotativa. Posicione a peça de trabalho na posição de corte pretendida e fixe-a firmemente apertando o manípulo do torno.

#### PRECAUÇÃO:

- A peça de trabalho deve estar firmemente fixa à base rotativa e à vedação de guia com o torno durante todas as operações.

## FUNCIONAMENTO

#### PRECAUÇÃO:

- Antes de utilizar, não se esqueça de libertar a alavanca da posição descida puxando o pino batente.
- Certifique-se de que a lâmina não está em contacto com a peça de trabalho, etc. antes de ligar o interruptor.
- Não exerça pressão excessiva sobre a alavanca durante o corte. Demasiada força poderá resultar em sobrecarga do motor e/ou redução da eficiência de corte. Empurre a alavanca para baixo apenas exercendo a força necessária para efectuar um corte suave e sem redução significativa da velocidade da lâmina.
- Empurre suavemente a alavanca para baixo para efectuar o corte. Se a alavanca for empurrada com força ou se for aplicada força lateral, a lâmina irá vibrar e deixar uma marca (marca da serra) na peça de trabalho e a precisão do corte será negativamente afectada.

#### 1. Corte de pressão (Fig. 25)

Fixe a peça de trabalho com o torno. Ligue a ferramenta sem que a lâmina toque na peça de trabalho e aguarde até esta atinja a velocidade máxima antes de a descer. Desça lentamente a alavanca até à posição totalmente descida para cortar a peça de trabalho. No final do corte, desligue a ferramenta e AGUARDE ATÉ A LÂMINA PARAR TOTALMENTE antes de recolocar a lâmina na posição totalmente elevada.

#### 2. Corte angular

Consulte a secção "Ajustar o ângulo de corte angular".

#### 3. Corte em bisel (Fig. 26)

Desaperte o manípulo e incline a lâmina da serra para definir o ângulo de bisel (consulte a secção "Ajustar o ângulo de bisel"). Certifique-se de que volta a apertar o manípulo firmemente para fixar o ângulo de bisel seleccionado. Fixe a peça de trabalho com um torno. Ligue a ferramenta sem que a lâmina toque na peça de trabalho e aguarde até esta atinja a velocidade máxima. Desça lentamente a alavanca até à posição totalmente descida ao mesmo tempo que aplica pressão em paralelo à lâmina. No final do corte, desligue a ferramenta e AGUARDE ATÉ A LÂMINA

PARAR TOTALMENTE antes de recolocar a lâmina na posição totalmente elevada.

#### PRECAUÇÃO:

- Certifique-se sempre que de a lâmina desce na direcção de bisel durante um corte em bisel. Mantenha as mãos afastadas do percurso da lâmina.
- Durante um corte em bisel, a peça cortada poderá ficar encostada à parte lateral da lâmina. Se subir a lâmina ainda em rotação, esta peça poderá ser apanhada pela lâmina, provocando a dispersão de fragmentos, o que é perigoso. A lâmina APENAS deverá ser subida quando estiver totalmente parada.
- Ao descer a alavanca, exerça uma pressão paralela à lâmina. Se a pressão exercida não for paralela, o ângulo da lâmina poderá ser desviado e a precisão do corte afectada negativamente.

#### 4. Corte combinado

O corte combinado é o processo no qual é feito um ângulo de bisel ao mesmo tempo que é efectuado um corte angular numa peça de trabalho. O corte combinado pode ser efectuado com o ângulo indicado na tabela.

Ângulo de bisel	Ângulo de corte angular
45°	Esquerda e direita 0 - 45°

Para a realização de cortes combinados, consulte as explicações nas secções "Corte de pressão", "Corte angular" e "Corte em bisel".

#### 5. Corte de perfis de alumínio (Fig. 27)

Para fixar perfis de alumínio, utilize blocos espaçadores ou bocados de peças como ilustrado na imagem, para evitar a deformação do alumínio. Utilize um lubrificante de corte para cortar perfis de alumínio para evitar a acumulação de restos de alumínio na lâmina.

#### PRECAUÇÃO:

- Nunca tente cortar perfis de alumínio espessos ou redondos. Os perfis de alumínio espessos podem soltar-se durante a utilização da ferramenta e os perfis de alumínio redondos não podem ser firmemente fixos com esta ferramenta.

#### 6. Utilização de faces de madeira (Fig. 28)

A utilização de faxes de madeira ajuda a assegurar cortes sem lascas nas peças de trabalho. Fixe uma face de madeira à vedação de guia utilizando os orifícios existentes na vedação. Veja na figura as dimensões sugeridas para uma face de madeira.

#### PRECAUÇÃO:

- Utilize um pedaço de madeira direito e com uma espessura uniforme como face de madeira.
- Utilize parafusos para fixar a face de madeira à vedação de guia. Os parafusos devem ser instalados de modo a que as cabeças dos mesmos fiquem abaixo da superfície da face de madeira.
- Depois de fixar a face de madeira, não rode a base rotativa com a alavanca descida. A lâmina e/ou a face de madeira danificar-se-ão.
- A largura de corte máxima terá menos a largura da face de madeira.

#### 7. Corte de comprimentos repetitivos (Fig. 29)

Ao cortar várias peças de tronco do mesmo comprimento, entre 240 mm e 380 mm, a utilização da chapa de acerto (acessório opcional) facilitará uma operação mais eficiente. Instale a chapa de acerto no suporte (acessório opcional) como ilustrado na figura. Alinhe a linha de corte na sua peça de trabalho com o lado esquerdo ou direito da ranhura existente na placa de corte e, evitando que a peça de trabalho se desloque, coloque a chapa de acerto encostada à extremidade da peça de trabalho. De seguida, fixe a chapa de acerto com o parafuso. Quando a chapa de acerto não for utilizada, desaperte o parafuso e afaste-a.

## Transportar a ferramenta (Fig. 30)

Certifique-se de que a ferramenta está desligada da tomada. Segure a lâmina num ângulo de bisel de 0° e a base rotativa num ângulo de corte angular esquerdo. Desça totalmente a alavanca e bloqueie-a na posição descida empurrando o pino batente para dentro. Transporte a ferramenta pela pega de transporte como ilustrado na figura. Se retirar os suportes, saco do pó, etc., é mais fácil transportar a ferramenta. (Fig. 31)

### PRECAUÇÃO:

- Fixe sempre todas as peças móveis antes de transportar a ferramenta.
- O pino batente destina-se apenas a fins de transporte e armazenamento e não para quaisquer operações de corte.

## MANUTENÇÃO

### PRECAUÇÃO:

- Certifique-se sempre de que a ferramenta está desligada no interruptor e da tomada antes de inspeccionar ou fazer a manutenção da ferramenta.

### AVISO:

- Certifique-se sempre de que a lâmina está afiada e limpa a fim de obter um desempenho melhor e mais seguro.

## Ajustar o ângulo de corte

Esta ferramenta foi cuidadosamente ajustada e alinhada na fábrica, no entanto, um manuseamento impróprio poderá ter afectado o alinhamento. Se a sua ferramenta não estiver devidamente alinhada, efectue o seguinte:

### 1. Ângulo de corte angular (Fig. 32)

Desaperte a pega que fixa a base rotativa. Rode a base rotativa de modo a que o ponteiro aponte para 0° na escala de corte angular. Aperte o punho e desaperte os parafusos sextavados que fixam a vedação de guia com a chave. Se o ponteiro não apontar para 0° na escala de corte angular, desaperte o parafuso que fixa o ponteiro, desloque e fixe a placa do ponteiro de modo a este apontar para 0° na escala de corte angular.

Desça totalmente a alavanca e bloqueie-a na posição descida empurrando o pino batente para dentro. Crie um ângulo recto com a parte lateral da lâmina e a face da vedação de guia utilizando um esquadro, um esquadro de encosto, etc.. De seguida, aperte firmemente os parafusos sextavados na vedação de guia por ordem a partir do lado direito. (Fig. 33)

### 2. Ângulo de bisel

#### (1) Ângulo de bisel de 0° (Fig. 34)

Desça totalmente a alavanca e bloqueie-a na posição descida empurrando o pino batente para dentro. Desaperte o manípulo existente na parte de trás da ferramenta. Desaperte a porca sextavada e rode o parafuso de ajuste do ângulo de bisel de 0°, no lado direito da base rotativa, uma ou três voltas para a direita para inclinar a lâmina para a direita. Cuidadosamente, crie um ângulo recto entre a parte lateral da lâmina e a superfície superior da base rotativa utilizando o esquadro, o esquadro de encosto, etc. rodando o parafuso de ajuste do ângulo de bisel de 0° para a esquerda. De seguida aperte a porca sextavada para fixar o parafuso de ajuste do ângulo de bisel de 0° e aperte firmemente o manípulo. Certifique-se de que o ponteiro existente no braço aponta para 0° na escala de bisel. Se não apontar para 0° na escala de bisel, desaperte o parafuso que fixa o ponteiro, desloque e fixe a placa do ponteiro de modo a este apontar para 0° na escala de bisel. (Fig. 35 e 36)

#### (2) Ângulo de bisel de 45° (Fig. 37)

Ajuste o ângulo de bisel de 45° apenas depois de ajustar o ângulo de bisel de 0°. Para ajustar o ângulo de bisel de 45° esquerdo, desaperte o manípulo e incline totalmente a lâmina para a esquerda. Certifique-se de que o ponteiro existente no braço aponta para 45° na escala de bisel do braço. Se o ponteiro não apontar para 45°, rode o parafuso de ajuste do ângulo de bisel de 45° existente no lado esquerdo do braço até o ponteiro apontar para 45°.

## Substituir as escovas de carvão (Fig. 38)

Remova e verifique regularmente as escovas de carvão. Substitua-as quando estas atingirem 3 mm de comprimento. Mantenha-as limpas para poderem deslizar no porta-escovas. Substitua as duas ao mesmo tempo. Utilize unicamente escovas de carvão idênticas.

Utilize uma chave de parafusos para remover as tampas do porta-escovas. Retire as escovas usadas, coloque umas novas e fixe as tampas do porta-escovas. (Fig. 39)

## Após a utilização

- Após a utilização, retire as farpas e pó que se tenham acumulado na ferramenta com um pano ou algo semelhante. Mantenha a protecção da lâmina limpa em conformidade com as instruções apresentadas na secção "Protecção da lâmina". Lubrifique as partes móveis com lubrificante de lâminas para evitar a formação de ferrugem.

Para manter os níveis de SEGURANÇA e FIABILIDADE definidos para este produto, as reparações e os procedimentos de manutenção ou ajustes devem ser executados por centros de assistência Makita autorizados, utilizando sempre peças de substituição Makita.

# DANSK

## Forklaring til generel oversigt

1. Skruenøgle	19. Midterdæksel	37. Afstandsblok
2. Knap	20. Sekskantskrue	38. Aluminiumsekstrudering
3. Hjælpeplade	21. Klingehus	39. Afstandsblok
4. Skrue	22. Pil	40. Over 10 mm
5. Basis	23. Savklinge	41. Over 460 mm
6. Stopstift	24. Spindel	42. Hul
7. Bolt	25. Flange	43. Låge
8. Klingebeskytter	26. Ring	44. Holder
9. Savsnitenhed	27. Støppose	45. Stopstift
10. Justeringskrue	28. Lukkemekanisme	46. Sekskantskruer
11. Overside af drejebasis	29. Støtteanordning	47. Trekantlineal
12. Omkredsen af klingen	30. Drejebasis	48. 0° justeringskrue
13. Styreanlægsflade	31. Skruetvingeknap	49. Overside af drejebasis
14. Låsearm	32. Skrue	50. Justeringskrue til 45° skråvinkel
15. Greb	33. Skruetvingegarm	51. Kulholderdæksel
16. Pil	34. Skruetvingestang	52. Skruetrækker
17. Håndtag	35. Lodret skruetvinge	
18. Kontaktgreb	36. Skruetvinge	

## SPECIFIKATIONER

Model	MLS100
Klangediameter	255 mm
Huldiameter	
I alle andre lande end de europæiske	25,4 mm
I europæiske lande	30 mm
Maks. skæreevne (H x B) med klinge, som er 255 mm i diameter	

Skråvinkel	Geringsvinkel	
	0°	45° (venstre og højre)
0°	75 x 130 mm	75 x 90 mm
45° (venstre)	48 x 120 mm	48 x 90 mm

Hastighed uden belastning (min <sup>-1</sup> )	4.200
Størrelse (L x B x H)	610 x 485 x 515 mm
Nettovægt	14,7 kg
Sikkerhedsklasse	II

- På grund af vores løbende forsknings- og udviklingsprogram kan specifikationerne heri ændres uden forudgående varsel.
- Bemærk: Specifikationerne kan variere fra land til land.

### Symboler

END217-2

Følgende viser de symboler, der benyttes til udstyret. Vær sikker på, at De forstår deres betydning, før De bruger værktøjet.



..... Læs brugsanvisningen.



..... DOBBELT ISOLERET



..... For at undgå personskade på grund af flyvende snavs skal savhovedet holdes nede, når skæringen er udført, indtil klingen stopper helt.



..... Anbring ikke hånd eller fingre i nærheden af klingens.



..... Af hensyn til Deres sikkerhed skal De fjerne de spåner, småstykker osv. fra bordets overflade, før De går i gang med at save.



..... Indstil altid SUB-FENCE til venstreindstillingen, når De udfører vinkelskæringer mod venstre. Undladelse af dette kan medføre alvorlig personskade på operatøren.



..... Løsn skruen ved at dreje den med uret.

### Tilsigtet brug

ENE004-1

Den tilsigtede brug af værktøjet er en nøjagtig skæring i træ i lige linje eller en geringsskæring. Hvis de rigtige savklinger benyttes, er det også muligt at skære i aluminium.

## Strømforsyning

ENF002-1

Værktøjet bør kun sluttes til en strømforsyning med den spænding, der er angivet på navnepladen, og det kan kun benyttes med enkeltfaset vekselstrøm. Det er dobbelt isoleret i overensstemmelse med europæisk standard og kan derfor også sluttes til stikkontakter uden jordforbindelse.

## YDERLIGERE SIKKERHEDSREGLER FOR VÆRKTØJET

ENB040-3

1. **Bær øjenbeskytteren.**
2. **Placer ikke hænderne på den linje, hvor savklingen skal føres igennem. Undgå berøring med et eventuelt drejende blad. Det kan stadig forårsage personskade.**
3. **Betjen ikke saven, før beskytteren er på plads. Kontroller, at klingebeskytteren er lukket, hver gang saven skal bruges. Anvend ikke saven, hvis den klingebeskytter ikke bevæger sig frit og lukkes med det samme. Fastlås eller bind aldrig klingebeskytteren i den åbne stilling.**
4. **Udfør ikke frihåndssavning.** Arbejdsemnet skal altid være sikkert fastgjort i forhold til drejebasen og styreanlægsflade ved hjælp af skruetvingen, når saven anvendes. Brug aldrig hænderne til at holde arbejdsemnet fast.
5. **Læg ikke hånden rundt om en savklinge.**
6. **Sluk værktøjet, og vent, til savklingen er stoppet helt, før arbejdsemnet flyttes, eller indstillingerne ændres.**
7. **Træk værktøjet ud af stikkontakten før udskiftning af klinge eller service.**
8. Brug ikke værktøjet i nærheden af brændbare væsker eller gasser.
9. Efterse savklingen omhyggeligt for revner eller beskadigelse før brugen. Udskift øjeblikkeligt revnede eller beskadigede klinger.
10. Brug kun flanger, der er beregnet til værktøjet.
11. Pas på ikke at ødelægge dornen, flangerne (især monteringsoverfladen) eller skruen. Beskadigelse af disse dele kan medføre beskadigelse af klingen.
12. Sørg for, at drejebasen er sikkert fastgjort, så den ikke flytter sig under betjeningen.
13. Af hensyn til Deres sikkerhed skal De fjerne de spåner, småstykker osv. fra bordets overflade, før De går i gang med at save.
14. Undgå at skære i søm. Se efter, og fjern alle søm fra arbejdsemnet før arbejdet.
15. Sørg for, at skafflåsen er sluppet, før der tændes på kontakten.
16. Sørg for, at klingen ikke kommer i kontakt med drejebasen i den nederste indstilling.
17. Hold godt fast i håndtaget. Sørg for, at saven hæves og sænkes en lille smule, når den startes og stoppes.
18. Sørg for, at klingen ikke har kontakt med arbejdsemnet, før der tændes på kontakten.
19. Lad værktøjet køre et stykke tid, før det benyttes på et arbejdsemne. Hold øje med vibrationer eller slinger, der kan være tegn på en dårlig montering eller et dårligt afbalanceret høvljern.
20. Vent, til skiven når fuld hastighed, før De skærer.
21. Stop saven med det samme, hvis De bemærker noget unormalt.
22. Forsøg ikke at låse afbryderkontakten i ON-indstillingen.
23. Vær altid på vagt, og det gælder især under gentagen, monoton brug. Pas på, at De ikke forledes til at tro, at alt er sikkert. Klingerne kan medføre voldsom skade.
24. Brug altid det tilbehør, der anbefales i denne brugsanvisning. Hvis der anvendes forkert tilbehør såsom slibeskiver, kan det medføre personskade.
25. **Brug ikke saven til at skære i andet end træ, aluminium eller lignende materialer.**
26. **Slut geringssaven til en støvopsamlingsanordning under brug.**
27. **Vælg savklinger i forhold til det materiale, der skal skæres i.**
28. **Pas på ved notning.**
29. **Udskift savsnitenheden, når den er slidt.**
30. **Brug ikke savklinger, som er fremstillet i hurtigstål.**
31. **Der kan dannes noget støv under brugen, som indeholder kemikalier, hvor der er kendskab til, at de fremkalder kræft, fødselsdefekter eller anden skade i forbindelse med forplantning. Her er nogle eksempler på disse kemikalier:**
  - Bly fra blybaserede materialer til maling og
  - arsen og krom fra træ behandlet med kemikalier. Risikoen for at blive udsat for disse farer varierer, afhængigt af hvor ofte denne type arbejde udføres. Hvis De vil reducere risikoen for at blive udsat for disse kemikalier, skal De: arbejde i et område med god ventilation og godkendt sikkerhedsudstyr, f.eks. de støvmasker, som specielt er beregnet på at bortfiltrere mikroskopiske partikler.
32. **For at reducere den frembragte støj skal De altid sørge for, at klingen er skarp og ren.**
33. **Operatøren har fået den fornødne undervisning i brugen, indstillingen og betjeningen af maskinen.**
34. **Brug savklinger, som er slebet korrekt. Overhold maksimumhastigheden, som er angivet på savklingen.**
35. **Undlad at fjerne stykker, som er skåret af, eller andre dele af arbejdsemnet fra skæreamrådet, mens værktøjet kører, og savhovedet ikke er i hvileindstillingen.**

## GEM DISSE INSTRUKTIONER.

### MONTERING (fig. 1 og 2)

Når værktøjet sendes fra fabrikken, låser stopstiften håndtaget i den nederste indstilling. Løsn skruen med skruenøglen, som fulgte med værktøjet, og placer savhovedet i den rigtige vinkel. Tag skruen ud, og fastgør savhovedet med knappen.

### Montering af hjælpepladen (fig. 3)

Monter hjælpepladen ved hjælp af hullet i værktøjets fod, og fastgør den ved stramme skruerne til.

### Maskinmontering

Når værktøjet sendes fra fabrikken, låser stopstiften håndtaget i den nederste indstilling. Frigør stopstiften ved

at sænke håndtaget en smule og trække stopstiften ud. (fig. 4)

Dette værktøj skal ved hjælp af fire møtrikker boltes fast til en plan og stabil overflade via møtrikhullerne i værktøjets fod. På den måde undgås det, at savnen vælter, og at der forekommer eventuel personskade. (fig. 5)

## FUNKTIONSBESKRIVELSE

### FORSIGTIG:

- Sørg altid for, at værktøjet er slukket, og at stikket er taget ud af stikkontakten, før De justerer værktøjet eller kontrollerer dets funktion.

### Klingebeskytter (fig. 6)

Når håndtaget sænkes, løftes klingebeskytteren automatisk. Beskytteren fungerer ved hjælp af en fjeder og vender tilbage til startindstillingen, når skæringen er udført, og håndtaget hævet. DE MÅ ALDRIG OMGÅ ELLER FJERNE KLINGEBESKYTTEREN ELLER FJEDEREN, SOM ER FASTGJORT TIL BESKYTTEREN.

Af sikkerhedsmæssige årsager skal klingebeskytteren altid holdes i god stand. Hvis klingebeskytteren viser tegn på unormal drift, skal dette rettes øjeblikkeligt. Sørg for, at beskytteren returneres ved hjælp af fjederen. BRUG ALDRIG VÆRKTØJET, HVIS KLINGEBESKYTTEREN ELLER FJEDEREN ER BESKADIGT, HAR FUNKTIONSSVIGT ELLER ER FJERNET. HVIS DETTE IKKE OVERHOLDES, KAN DET VÆRE SÆRDELES FARLIGT OG MEDFØRE ALVORLIG PERSONSKADE.

Hvis den gennemsigtige klingebeskytter bliver snavset, eller der hænger savstøv fast på den på en sådan måde, at klingens ikke længere er helt synlig, skal De trække savnen ud af stikkontakten og omhyggeligt rengøre beskytteren med en fugtig klud. Anvend ikke opløsningsmidler eller oliebaseerede rengøringsmidler på plastikbeskytteren. Hvis den gennemsigtige klingebeskytter bliver snavset, eller der hænger savstøv fast på den på en sådan måde, at klingens eller arbejdsmønter ikke længere er helt synlig, skal De trække savnen ud af stikkontakten og omhyggeligt rengøre beskytteren med en fugtig klud. Anvend ikke opløsningsmidler eller oliebaseerede rengøringsmidler på plastikbeskytteren.

Hvis klingebeskytteren er meget snavset, og muligheden for at se igennem den er forringet, skal De benytte den medfølgende skrueøgle til at løsne sekskantskruen, som holder midterdækslet. Løsn sekskantskruen ved at dreje den mod uret, og løft klingebeskytteren og midterdækslet. Mens klingebeskytteren er indstillet på denne måde, kan rengøring blive mere omfattende og effektiv. Når rengøringen er overstået, skal proceduren herover udføres i omvendt rækkefølge, hvorefter møtrikken strammes til igen. Fjern ikke den fjeder, der holder klingebeskytteren. Hvis beskytteren får en forkeret farve på grund af alder eller udsættelse for UV-lys, skal De kontakte et af Makitas servicecentre for at få en ny beskytter. UNDLAD AT OMGÅ ELLER FJERNE BESKYTTEREN. (fig. 7)

### Savsnitethed (fig. 8)

Værktøjet er forsynet med savsnitetheden på drejebasen for at minimere rivning på udgangssiden af et snit. Hvis savsnittrillen endnu ikke er skåret i savsnitetheden fra

fabrikkens side, skal De skære rillen, før værktøjet tages i egentlig brug på et arbejdsområde. Tænd for værktøjet, og sænk bladet forsigtigt for at skære en rille i savsnitetheden.

### Fastholdelse af maksimal skæreevne

Fra fabrikkens side er dette værktøj indstillet til at give en maksimal skæreevne til en 255 mm savklinge.

Ved montering af en ny klinge skal De altid kontrollere klingens laveste indstilling og om nødvendigt justere den således:

Tag først stikket ud af stikkontakten. Før håndtaget helt ned. Brug skrueøglen til at dreje justeringskruen, indtil klingens omkreds når en smule under oversiden af drejebasen på det sted, hvor frontensiden af styreanlægsfladen møder drejebasens overside. (fig. 9)

Mens strømstikket til værktøjet er trukket ud, skal De dreje klingens med hånden, samtidig med at håndtaget holdes helt nede. På den måde sikres det, at klingens ikke er i kontakt med nogen del af den nederste basis. Juster igen, hvis det er nødvendigt. (fig. 10)

### FORSIGTIG:

- Efter montering af en ny klinge skal De altid sikre Dem, at klingens ikke er i kontakt med nogen del af den nederste basis, når håndtaget er ført helt ned. Gør altid dette, når værktøjet ikke er i stikkontakten.

### Justering af geringsvinklen (fig. 11)

Løsn grebet ved at dreje mod uret. Drej drejebasen, samtidig med at låsearmen presses ned. Når De har flyttet grebet til den indstilling, hvor pilen peger på den ønskede vinkel på geringskalaen, skal De stramme grebet godt til med uret.

### FORSIGTIG:

- Når drejebasen drejes, skal håndtaget hæves helt.
- Når geringsvinklen er ændret, skal drejebasen altid fastgøres ved at dreje grebet godt til.

### Justering af skråvinklen (fig. 12 og 13)

For at justere skråvinklen skal knappen bag på værktøjet løsnes ved at dreje mod uret.

Skub håndtaget til venstre for at vippe savklingen, indtil pilen peger på den ønskede vinkel på skråskalaen.

Stram derefter knappen til, så armen sidder solidt fast.

### FORSIGTIG:

- Når savklingen vippes, skal håndtaget hæves helt.
- Når skråvinklen er ændret, skal De altid fastgøre armen ved at stramme knappen til med uret.

### Betjening af kontakt

#### FORSIGTIG:

- Før værktøjet tilsluttes, skal De altid kontrollere, at kontaktgrebet reagerer korrekt og vender tilbage til "OFF"-indstillingen, når De slipper det.

#### I europæiske lande (fig. 14)

Værktøjet startes ved at trykke håndtaget til højre og derefter trække i kontaktgrebet. Slip kontaktgrebet for at stoppe.

## I alle andre lande end de europæiske (fig. 15)

For at starte værktøjet skal De blot trykke på kontaktgrebet. Slip kontaktgrebet for at stoppe.

### ADVARSEL:

- Anvend ALDRIG værktøjet uden et fuldt funktionsdueligt kontaktgreb. Et værktøj med defekt kontakt er MEGET FARLIGT og skal repareres, før det anvendes.

## MONTERING

### FORSIGTIG:

- Sørg altid for, at værktøjet er slukket og taget ud af stikkontakten, før De udfører nogen form for arbejde på værktøjet.

## Montering eller afmontering af savklingen

### FORSIGTIG:

- Sørg altid for, at værktøjet er slukket, og at stikket er taget ud af stikkontakten, før De monterer eller afmonterer klingen.
- Anvend kun den medfølgende Makita-skruenøgle til at montere eller afmontere klingen. Ellers kan det føre til, at sekskantskruen bliver spændt enten for løst eller for stramt. Det kan føre til personskader.

Når en klinge skal aftages eller monteres, skal håndtaget være i den hævdede indstilling. (fig. 16)

For at aftage klingen skal De bruge skruenøgle til at løsne den sekskantskrue, som holder midterdækslet, og dreje den mod uret. Løft klingebeskytteren og midterdækslet. (fig. 17)

Tryk på skaftlåsen for at låse spindlen og bruge skruenøglen til at løsne sekskantskruen med uret. Fjern derefter sekskantskruen, den udvendige flange og klingen. (fig. 18)

For at montere klingen skal den forsigtigt placeres på spindlen, så retningen af pilen på klingens overflade passer til retning af pilen på klingehuset. Monter den ydre flange og sekskantskruen, og brug derefter skruenøglen til at skrue sekskantskruen (venstre) godt til, samtidig med at der presses på skaftlåsen. (fig. 19 og 20)

### FORSIGTIG:

- Ringen på 25,4 eller 30 mm i ydre diameter er fabriksmonteret på spindlen. Før klingen monteres på spindlen, skal De altid sikre Dem, at den rigtige ring til dornhullet på den ønskede klinge, er monteret på spindlen.

Monter den ydre flange og sekskantskruen, og brug derefter skruenøglen til at skrue sekskantskruen (venstre) godt til, samtidig med at der presses på skaftlåsen.

Før klingebeskytteren og midterdækslet tilbage til startindstillingerne. Stram derefter sekskantskruen til med uret for at fastgøre midterdækslet. Sænk håndtaget for at være sikker på, at klingebeskytteren bevæger sig korrekt. Sørg for, at skaftlåsen er frigjort spindlen, før der skæres.

## Støvopsamlere (fig. 21 og 22)

Med støvopsamleren kan brugen af saven foregå under rene forhold, og det er nemt at opsamle støv. Fastgør støvopsamleren ved at sætte den i støvdysen.

Når støvposen er omkring halvt fuld, skal De fjerne posen fra værktøjet og trække lukkemekanismen ud. Tøm støvposen, og klap let på den, så partikler, der klæber til indersiden, fjernes, hvilket ellers kan hæmme yderligere opsamling.

### BEMÆRK:

Hvis De slutter en Makita-støvsuger til din sav, kan arbejdet udføres mere effektivt og renere.

## Fastgørelse af arbejdsemner

### ADVARSEL:

- Det er ekstremt vigtigt, at arbejdsemnet altid fastgøres korrekt og stramt ved hjælp af skruetvingen. Hvis dette ikke overholdelse, kan betyde, at værktøjet beskadiges, og/eller at arbejdsemnet ødelægges. DER KAN OGSÅ SKE PERSONSKADE. Når De er færdig med at save, SKAL DE IKKE hæve klingen, før den ikke længere kører rundt.

### FORSIGTIG:

- Når der skal savs i lange arbejdsemner, skal De altid benytte støtteanordninger, som er lige så høje som niveauet af drejebasens overside. Brug ikke udelukkende den lodrette og/eller vandrette skruetvinge til at fastgøre arbejdsemnet med.
- Tynde materialer har en tendens til at bøjes. Støt arbejdsemnet i hele dets længde for at undgå, at klingen kommer i klemme, og at der sker TILBAGESLAG. (fig. 23)

## Lodret skruetvinge (fig. 24)

Den lodrette skruetvinge kan monteres i to indstillinger enten på den venstre eller højre side af styreanlægsfladen. Indsæt skruetvingestangen i hullet i styreanlægsfladen, og stram skruen til for at fastgøre skruetvingestangen.

Placer skruetvingearmen alt efter arbejdsemnets tykkelse og form, og fastgør skruetvingearmen ved at stramme skruen til. Sørg for, at værktøjet ikke har kontakt med skruetvingen, når håndtaget føres helt ned. Hvis dele af værktøjet har kontakt med skruetvingen, skal den indstilles igen.

Pres arbejdsemnet fladt ned mod styreanlægsfladen og drejebasen. Placer arbejdsemnet i den ønskede skæringsindstilling, og fastgør det ved at stramme skruetvingeknappen godt til.

### FORSIGTIG:

- Arbejdsemnet skal altid være sikkert fastgjort i forhold til drejebasen og styreanlægsfladen ved hjælp af skruetvingen, når saven anvendes.

## BETJENING

### FORSIGTIG:

- Før brug skal De sørge for at frigøre håndtaget fra den sænkede indstilling. Dette gøres ved at trække stopstiften ud.
- Sørg for, at klingen ikke har kontakt med arbejdsemnet, før der tændes på kontakten.
- Tryk ikke for hårdt på håndtaget, når saven anvendes. Hvis der trykkes for hårdt, kan det medføre, at motoren overbelastes og/eller reduceret savefunktion. Brug kun lige akkurat den nødvendige kraft nok til at skubbe

håndtaget ned for at få en jævn skæring og uden en væsentlig reduktion i klingehastigheden.

- Pres forsigtigt ned på håndtaget for at foretage snittet. Hvis håndtaget trykkes hårdt ned, eller der anvendes sideværts kraft, begynder klingens vibrere og lave et mærke (savmærke) i arbejdsemnet, og nøjagtigheden af snittet vil også forringes.

#### 1. Skæring med tryk (fig. 25)

Fastgør arbejdsemnet i skruetvingen. Tænd værktøjet, uden at klingens har kontakt med noget, og vent, indtil klingens er oppe i fuld hastighed, før der sænkes. Sænk derefter håndtaget forsigtigt til helt ned i laveste indstilling for at skære i arbejdsemnet. Når snittet er udført, slukkes værktøjet. VENT HEREFTER, INDTIL KLINGEN ER STOPPET HELT, før klingens sættes tilbage i den fuldt løftede indstilling.

#### 2. Geringskæring

Se afsnittet "Justering af geringsvinklen".

#### 3. Skråskæring (fig. 26)

Løsn knappen, og vip savklingen for at indstille skråvinklen (se afsnittet "Justering af skråvinklen"). Sørg for at stramme knappen godt til igen for at fastholde den ønskede skråvinkel på en sikker måde. Fastgør arbejdsemnet i en skruetvinge. Tænd værktøjet, uden at klingens har kontakt med noget, og vent, indtil klingens er oppe i fuld hastighed. Før derefter håndtaget forsigtigt helt ned i den laveste indstilling, samtidig med at der trykkes parallelt med klingens. Når snittet er udført, slukkes værktøjet. VENT HEREFTER, INDTIL KLINGEN ER STOPPET HELT, før klingens sættes tilbage i den fuldt løftede indstilling.

#### FORSIGTIG:

- Sørg altid for, at klingens bevæges ned til skåretningen under en skråskæring. Placer ikke hænderne på den linje, hvor savklingen skal føres igennem.
- Under en skråskæring kan der opstå en situation, hvor det stykke, der er skåret af, hviler på siden af klingens. Hvis klingens hæves, mens klingens stadig drejer rundt, kan dette stykke blive fanget af klingens, hvilket kan medføre, at der spredes fragmenter. Dette er farligt. Klingens bør KUN hæves, når den er stoppet helt.
- Samtidig med at håndtaget trykkes ned, skal De påføre et tryk parallelt på klingens. Hvis trykket ikke er parallelt på klingens under en skæring, kan vinklen på klingens ændre sig, hvormed skæringens nøjagtighed forringes.

#### 4. Kombineret skæring

En kombineret skæring er den proces, hvor der udføres et skråsnit, samtidig med at der også skæres en geringsvinkel på et arbejdsemne. En kombineret skæring kan udføres ved den vinkel, som er angivet i tabellen.

Skråvinkel	Geringsvinkel
45°	Venstre og højre 0-45°

Hvis De skal udføre en kombineret skæring, skal De se forklaringerne under "Skæring med tryk", "Geringskæring" og "Skråskæring".

#### 5. Skæring i aluminiumsekstruderung (fig. 27)

Når De skal fastgøre aluminiumsekstruderungen, skal De benytte afstandsblokke eller affaldsstykker som vist i figuren, for at undgå at aluminiummet deformeres. Brug en smøremiddel til skæring, når der

skal skæres i aluminiumsekstruderung, for at undgå opbygningen af aluminiumsmateriale på klingens.

#### FORSIGTIG:

- Skær aldrig i tykke eller runde aluminiumsekstruderungen. En tyk aluminiumsekstruderung kan blive løs under skæringens, og med dette værktøj er det ikke muligt at fastgøre runde aluminiumsekstruderungen på en sikker måde.

#### 6. Træanlægsflade (fig. 28)

Med en træanlægsflade kan der skæres i træarbejdsemner uden splinter. Fastgør en træanlægsflade til styreanlægsfladen ved hjælp af hullerne i styreanlægsfladen. Se figuren med hensyn til målene på den træanlægsflade, der foreslås.

#### FORSIGTIG:

- Brug et lige træstykke med ensartet tykkelse som anlægsflade.
- Brug skrueene til at fastgøre træanlægsfladen til styreanlægsfladen. Skrueene skal monteres på en sådan måde, at skruehovederne ligger under overfladen på træanlægsfladen.
- Når træanlægsfladen er monteret, skal De ikke dreje drejebasen, samtidig med at håndtaget er sænket. Det vil beskadige klingens og/eller træanlægsfladen.
- Den maksimale skæretykkelse er mindre end bredden på træanlægsfladen.

#### 7. Skæring af stykker i samme længde flere gange (fig. 29)

Når der skal skæres adskillige stykker i samme længde, fra 240 til 380 mm, gør bruget af indstillingspladen (valgfrit tilbehør) det nemmere at gøre det på en effektiv måde. Monter indstillingspladen på holderen (valgfrit tilbehør) som vist i figuren. Juster skærelinjen på arbejdsemnet i forhold til enten den venstre eller højre side af rillen i savsnitenden, og mens arbejdsemnet forhindres i at bevæge sig, flugtes indstillingspladen med arbejdsemnets endestykke. Fastgør derefter indstillingspladen med skruen. Når indstillingspladen ikke skal bruges, løsnes skruen, og indstillingspladen drejes væk.

#### Bæreværktøj (fig. 30)

Sørg for, at værktøjet er frasluttet stikkontakten. Fastgør klingens i en skråvinkel på 0°, og drej drejebasen ved venstre geringsvinkel helt. Før håndtaget helt ned, og lås det i den sænkede indstilling ved at skubbe stofstiften ind. Bær værktøjet i transportgrebene som vist i figuren. Hvis De fjerner holderne, støvopsamlere osv., er det nemmere at transportere værktøjet. (fig. 31)

#### FORSIGTIG:

- Fastgør alle bevægelige dele, før værktøjet transporteres.
- Stopstiften bruges kun ved transport og opbevaring og ikke i forbindelse med skæring.

## VEDLIGEHOLDELSE

#### FORSIGTIG:

- Sørg altid for, at værktøjet er slukket, og at stikket er taget ud, før De forsøger at udføre inspektion eller vedligeholdelse.

## ADVARSEL:

- Sørg altid for, at klingen er skarp og ren for at få den bedste og mest sikre ydeevne.

## Justering af skæringsvinklen

Dette værktøj indstilles og justeres omhyggeligt på fabrikken, men en hård håndtering kan have påvirket justeringen. Hvis Deres værktøj ikke er justeret korrekt, skal De gøre følgende:

### 1. Geringsvinkel (fig. 32)

Løsn grebet, som fastgør drejebasen. Drej drejebasen, så pilen peger på  $0^\circ$  på geringsskalaen. Stram grebet, og løsn sekskantskrueene, som fastholder styreanlægsfladen, ved hjælp af skruenøglen. Hvis pilen ikke peger mod  $0^\circ$  på geringsskalaen, skal De løsne skruen, som fastholder pilen, og flytte og fastgøre pilepladen, så pilen peger på  $0^\circ$  på geringsskalaen. Før håndtaget helt ned, og lås det i den sænkede indstilling ved at skubbe stofstiften ind. Anbring klingens retvinklet i forhold til oversiden af styreanlægsfladen ved hjælp af en retvinklet trekantlineal, ansatsvinkel osv. Stram derefter sekskantskrueene til på styreanlægsfladen startende fra højre side. (fig. 33)

### 2. Skråvinkel

#### (1) $0^\circ$ skråvinkel (fig. 34)

Før håndtaget helt ned, og lås det i den sænkede indstilling ved at skubbe stofstiften ind. Løsn håndtaget bag på værktøjet. Løsn sekskantskrueen, og drej  $0^\circ$  skråvinklen, og juster skruen på højre side af drejebasen med to eller tre omdrejninger mod uret for at vippe klingens retvinklet til højre.

Placer omhyggeligt siden af klingens retvinklet i forhold til oversiden af drejebasen ved hjælp af en retvinklet trekantlineal, ansatsvinkel osv. ved at dreje justeringsskruen til  $0^\circ$  skråvinklen mod uret. Stram derefter sekskantskrueen for at fastgøre justeringsskruen til  $0^\circ$  skråvinklen, og stram knappen til.

Sørg for, at pilen på armen peger på  $0^\circ$  skråskalaen. Hvis pilen ikke peger mod  $0^\circ$  på skråskalaen, skal De løsne skruen, som fastholder pilen, og flytte og fastgøre pilepladen, så pilen peger på  $0^\circ$  på skråskalaen. (fig. 35 og 36)

#### (2) $45^\circ$ skråvinkel (fig. 37)

Juster kun  $45^\circ$  skråvinklen, efter at der er foretaget en justering af  $0^\circ$  skråvinklen. Juster den venstre  $45^\circ$  skråvinkel ved at løsne knappen og vippe klingens retvinklet helt til venstre. Sørg for, at pilen på armen peger på  $45^\circ$  skråskalaen på armen. Hvis pilen ikke peger på  $45^\circ$ , skal De dreje justeringsskruen til  $45^\circ$  skråvinkel på venstre side af armen, indtil pilen peger på  $45^\circ$ .

## Udskiftning af kulbørsterne (fig. 38)

Tag regelmæssigt kulbørsterne af, og efterse dem. Udskift dem, når de er slidt til en længde på 3 mm. Hold kulbørsterne rene og frie til at glide i holderne. Begge kulbørster skal udskiftes samtidig. Brug altid identiske kulbørster.

Brug en skruetrækker til at fjerne kulholderdækslerne. Tag de udslidte kulbørster ud, monter de nye, og fastgør kulholderdækslerne. (fig. 39)

## Efter brug

- Efter brug skal de fjerne spåner og støv, som hænger ved værktøjet, ved hjælp af en klud eller lignende. Sørg for at holde klingens retvinklet i henhold til de retningslinjer, som tidligere er angivet i afsnittet "Klingebeskytter". Smør glidelede med maskinolie for at forhindre rustdannelse.

For at holde produktet SIKKERT og PÅLIDELIGT skal reparationer samt al anden vedligeholdelse eller justering udføres af autoriserede Makita-servicecentre, og der skal altid benyttes Makita-reservedele.



## Περιγραφή γενικής όψης

- |  |                        |   |
|--|------------------------|---|
| 1. Κλειδί                                  | 19. Κεντρικό κάλυμμα   | 38. Αλουμινένια προεσοχή                        |
| 2. Κουμπί                                  | 20. Εξαγωνικό μπουλόνι | 39. Μπλοκ αποστάτη                              |
| 3. Βοηθητική πλάκα                         | 21. Θήκη δίσκου        | 40. Άνω των 10 mm                               |
| 4. Βίδα                                    | 22. Βέλος              | 41. Άνω των 460 mm                              |
| 5. Βάση                                    | 23. Δισκοπρίονο        | 42. Οπή   |
| 6. Περόνη στοπ                             | 24. Άτρακτος           | 43. Πλάκα συγκράτησης                           |
| 7. Μπουλόνι                                | 25. Φλάντζα            | 44. Υποδοχέας                                   |
| 8. Προστατευτικό δίσκου                    | 26. Δακτύλιος          | 45. Περόνη στοπ                                 |
| 9. Αρμός κοπής                             | 27. Σάκος σκόνης       | 46. Εξαγωνικά μπουλόνια                         |
| 10. Ρυθμιστικό μπουλόνι                    | 28. Συνδετήρας         | 47. Τριγωνικός οδηγός                           |
| 11. Άνω επιφάνεια της βάσης<br>περιστροφής | 29. Στήριξη            | 48. Ρυθμιστικό μπουλόνι 0°                      |
| 12. Περιφέρεια δίσκου                      | 30. Βάση περιστροφής   | 49. Άνω επιφάνεια της βάσης<br>περιστροφής      |
| 13. Οδηγός                                 | 31. Κουμπί μέγκενης    | 50. Ρυθμιστικό μπουλόνι γωνίας<br>λοξοτομής 45° |
| 14. Μοχλός κλειδώματος                     | 32. Βίδα               | 51. Καπάκι υποδοχής για το<br>καρβουνάκι        |
| 15. Λαβή                                   | 33. Βραχίονας μέγκενης | 52. Κατασβίδι                                   |
| 16. Δείκτης                                | 34. Ράβδος μέγκενης    |   |
| 17. Μοχλός                                 | 35. Κάθετη μέγκενη     |   |
| 18. Σκανδάλη-διακόπτης                     | 36. Μέγκενη            |   |
|  | 37. Μπλοκ αποστάτη     |   |

## ΤΕΧΝΙΚΑ ΧΑΡΑΚΤΗΡΙΣΤΙΚΑ

Μοντέλο	MLS100
Διάμετρος δίσκου	255 mm
Διάμετρος οπής	
Για όλες τις χώρες εκτός Ευρώπης	25,4 mm
Για ευρωπαϊκές χώρες	30 mm
Μέγιστη ικανότητα κοπής (Υ x Π) με δίσκο διαμέτρου 255 mm	

Γωνία λοξοτομής	Γωνία κοπής θηλυκώματος	
	0°	45° (αριστερά και δεξιά)
0°	75 mm x 130 mm	75 mm x 90 mm
45° (αριστερά)	48 mm x 120 mm	48 mm x 90 mm

Ταχύτητα χωρίς φορτίο (min <sup>-1</sup> )	4.200
Διαστάσεις (Μ x Π x Υ)	610 mm x 485 mm x 515 mm
Καθαρό βάρος	14,7 κιλά
Τάξη ασφάλειας	 II

- Λόγω του συνεχόμενου προγράμματος που εφαρμόζουμε για έρευνα και ανάπτυξη, τα τεχνικά χαρακτηριστικά στο παρόν έντυπο υπόκεινται σε αλλαγή χωρίς προειδοποίηση.
- Παρατήρηση: Τα τεχνικά χαρακτηριστικά μπορεί να διαφέρουν ανάλογα με τη χώρα.

## Σύμβολα

END217-2

Παρακάτω παρουσιάζονται τα σύμβολα που χρησιμοποιούνται για τον εξοπλισμό. Βεβαιωθείτε ότι κατανοείτε τη σημασία τους πριν από τη χρήση.



..... Μην πλησιάζετε τα χέρια ή τα δάκτυλά σας κοντά στο δίσκο.



..... Για την ασφάλειά σας, να αφαιρείτε τα θραύσματα, τα μικρά τεμάχια, κτλ. από τον πάγκο πριν από τη λειτουργία.



..... Να ρυθμίζετε πάντοτε τον ΒΟΗΘΗΤΙΚΟ ΟΔΗΓΟ στην αριστερή θέση όταν πραγματοποιείται αριστερές λοξοτομές. Αν δεν το κάνετε αυτό, μπορεί να προκληθεί σοβαρός τραυματισμός στο χειριστή.



..... Για να ξεφίξετε το μπουλόνι, περιστρέψτε το δεξιόστροφα.



..... Διαβάστε το εγχειρίδιο οδηγιών.



..... ΔΙΠΛΗ ΜΟΝΩΣΗ



..... Για να αποφεύγετε τον τραυματισμό από εκτοξευόμενα θραύσματα, να κρατάτε την κεφαλή του πριονιού προς τα κάτω μετά την ολοκλήρωση των κοπών, έως ότου ο δίσκος ακινητοποιηθεί εντελώς.

## Προοριζόμενη χρήση

ENE004-1

Το εργαλείο προορίζεται για ακριβείς ευθείες κοπές και κοπές θηλυκωμάτων σε ξύλο. Με τα κατάλληλα διακοπρίονα, μπορείτε να πριονίσετε και αλουμίνιο.

## Ηλεκτρική παροχή

ENF002-1

Το εργαλείο πρέπει να συνδέεται μόνο σε ηλεκτρική παροχή της ίδιας τάσης με αυτήν που αναγράφεται στην πινακίδα ονομαστικών τιμών και μπορεί να λειτουργήσει μόνο με εναλλασσόμενο μονοφασικό ρεύμα. Τα εργαλεία αυτά διαθέτουν διπλή μόνωση που συμμορφώνεται με τα ευρωπαϊκά πρότυπα και συνεπώς μπορούν να συνδεθούν με πρίζες χωρίς γείωση.

## ΠΡΟΣΘΕΤΟΙ ΚΑΝΟΝΕΣ ΑΣΦΑΛΕΙΑΣ ΓΙΑ ΤΟ ΕΡΓΑΛΕΙΟ

ENB040-3

1. **Να φοράτε προστασία ματιών.**
2. **Κρατήστε τα χέρια σας μακριά από τη διαδρομή του δισκοπρίονου. Αποφεύγετε την επαφή με οποιοδήποτε δίσκο κινείται ελεύθερα. Μπορεί και αυτός να προκαλέσει σοβαρό τραυματισμό.**
3. **Μη θέτετε το πριόνι σε λειτουργία χωρίς να είναι τοποθετημένα τα προστατευτικά στη θέση τους. Ελέγξτε ότι κλείνει σωστά το προστατευτικό δίσκου πριν από κάθε χρήση. Μη θέτετε το πριόνι σε λειτουργία αν το προστατευτικό δίσκου δεν κινείται ελεύθερα και δεν κλείνει άμεσα. Μη συγκρατείτε και μη δένετε ποτέ το προστατευτικό δίσκου στην ανοιχτή θέση.**
4. **Μην πραγματοποιείτε οποιαδήποτε εργασία με ελεύθερα χέρια.** Το τεμάχιο εργασίας πρέπει να είναι καλά στερεωμένο με τη μέγκενη επάνω στη βάση περιστροφής και τον οδηγό, κατά τη διάρκεια όλων των εργασιών. Μη χρησιμοποιείτε ποτέ το χέρι σας για να στερεώσετε το τεμάχιο εργασίας.
5. **Μην τεντώνετε ποτέ κοντά στο δισκοπρίονο.**
6. **Να απενεργοποιείτε το εργαλείο και να περιμένετε να ακινητοποιηθεί το δισκοπρίονο πριν μετακινήσετε το τεμάχιο εργασίας ή αλλάξετε τις ρυθμίσεις.**
7. **Να αποσυνδέετε το εργαλείο από την παροχή ρεύματος πριν αλλάζετε δίσκο ή εκτελείτε εργασίες συντήρησης.**
8. Μη χρησιμοποιείτε το εργαλείο παρουσία εύφλεκτων υγρών ή αερίων.
9. Πριν από τη λειτουργία, να ελέγχετε προσεκτικά το δίσκο για ραγίσματα ή ζημιά. Να αντικαθιστάτε αμέσως ραγισμένο ή κατεστραμμένο δίσκο.
10. Να χρησιμοποιείτε μόνο φλάντζες κατάλληλες για αυτό το εργαλείο.
11. Μην καταστρέψετε τον άξονα, τις φλάντζες (ειδικά την επιφάνεια τοποθέτησης) ή το μπουλόνι. Αν τα εξαρτήματα αυτά είναι κατεστραμμένα, μπορεί να έχει ως αποτέλεσμα το σπάσιμο του δίσκου.
12. Βεβαιωθείτε ότι η βάση περιστροφής είναι σωστά στερεωμένη ώστε να μην κινείται κατά τη λειτουργία.
13. Για την ασφάλειά σας, να αφαιρείτε τα θραύσματα, τα μικρά τεμάχια, κτλ. από τον πάγκο πριν από τη λειτουργία.
14. Να αποφεύγετε την κοπή καρφιών. Πριν από τη λειτουργία, να ελέγχετε αν υπάρχουν καρφιά στο τεμάχιο εργασίας και να τα αφαιρείτε όλα αν υπάρχουν.
15. Βεβαιωθείτε ότι έχετε απελευθερώσει το κλειδίωμα άξονα πριν ενεργοποιήσετε το διακόπτη λειτουργίας.
16. Βεβαιωθείτε ότι ο δίσκος δεν έρχεται σε επαφή με τη βάση περιστροφής στη χαμηλότερη θέση.
17. Να κρατάτε τη λαβή σταθερά. Να γνωρίζετε ότι ο δίσκος κινείται λίγο προς τα πάνω ή προς τα κάτω κατά την έναρξη και διακοπή της λειτουργίας.
18. Να βεβαιώνετε ότι ο δίσκος δεν ακουμπά το τεμάχιο εργασίας πριν ενεργοποιείτε το διακόπτη λειτουργίας.
19. Πριν χρησιμοποιείτε το εργαλείο σε τεμάχιο εργασίας, να το αφήνετε να λειτουργεί για λίγη ώρα. Να προσέχετε για δονήσεις ή κινήσεις που θα μπορούσαν να υποδείξουν κακή τοποθέτηση ή κακή ισορροπία του δίσκου.
20. Περιμένετε έως ότου ο δίσκος φτάσει στην πλήρη ταχύτητά του πριν κόψετε.
21. Διακόψτε αμέσως τη λειτουργία αν παρατηρήσετε ο,τιδήποτε ασυνήθιστο.
22. Μην προσπαθήσετε να ασφαλίσετε τη σκανδάλη στην ανοιχτή θέση.
23. Να είστε πάντοτε σε ετοιμότητα, ιδιαίτερα κατά τη διάρκεια επαναλαμβανόμενων, μονότονων λειτουργιών. Μην επαναπαύεστε λόγω μιας ψεύτικης αίσθησης ασφάλειας. Οι δίσκοι είναι εξαιρετικά επικίνδυνοι.
24. Να χρησιμοποιείτε πάντοτε αξεσουάρ που συνιστώνται στο παρόν εγχειρίδιο. Αν χρησιμοποιείτε ακατάλληλα αξεσουάρ, όπως λειαντικό τροχό, μπορεί να προκληθεί τραυματισμός.
25. **Μη χρησιμοποιείτε το πριόνι για να κόψετε υλικά διαφορετικά από ξύλο, αλουμίνιο ή παρόμοια υλικά.**
26. **Συνδέστε τα δισκοπρίονα θηλυκωμάτων με συσκευή συλλογής σκόνης όταν πριονίζετε.**
27. **Επιλέξτε τα δισκοπρίονα ανάλογα με το υλικό που πρόκειται να κόψετε.**
28. **Προσέχετε όταν κάνετε εντομές.**
29. **Αντικαταστήστε τον αρμό κοπής όταν αυτός φθαρεί.**
30. **Μη χρησιμοποιείτε δισκοπρίονα που είναι κατασκευασμένα από ταχυχάλυβα.**
31. **Κάποια σωματίδια σκόνης που δημιουργούνται κατά τη λειτουργία περιέχουν χημικές ουσίες για τις οποίες είναι γνωστό ότι προκαλούν καρκίνο, γενετικές ανωμαλίες και άλλες αναπαραγωγικές βλάβες. Μερικά παραδείγματα τέτοιων χημικών ουσιών είναι:**
  - ο μόλυβδος από υλικά βαμμένα με χρώμα που έχει ως βάση το μόλυβδο,
  - το αρσενικό και το χρώμιο από ξυλεία που έχει υποστεί χημική επεξεργασία. Ο κίνδυνος από την έκθεσή σας στα παραπάνω ποικίλλει ανάλογα με τη συχνότητα με την οποία εκτελείτε αυτού του είδους εργασίες. Για να μειώσετε την έκθεσή σας σε αυτές τις χημικές ουσίες: Να εργάζεστε σε χώρο με καλό εξαερισμό και να εργάζεστε με εγκεκριμένο

εξοπλισμό ασφάλειας, όπως προσωπίδα κατά της σκόνης που είναι ειδικά σχεδιασμένη να φιλτράρει μικροσκοπικά σωματίδια.

32. Για να μειώσετε το θόρυβο, να βεβαιώνετε πάντοτε ότι ο δίσκος είναι αιχμηρός και καθαρός.
33. Ο χειριστής είναι κατάλληλα εκπαιδευμένος για τη χρήση, ρύθμιση και λειτουργία του εργαλείου.
34. Να χρησιμοποιείτε δισκοπρίονα που έχουν ακονιστεί σωστά. Να τηρείτε τη μέγιστη ταχύτητα που είναι σημειωμένη επάνω στο δισκοπρίονο.
35. Να αποφεύγετε να αφαιρείτε οποιαδήποτε αποκομμένα κομμάτια ή άλλα μέρη του τεμαχίου εργασίας από την περιοχή κοπής ενώ το εργαλείο βρίσκεται σε λειτουργία και η κεφαλή πριονιού δεν είναι ακινητοποιημένη.

## ΦΥΛΑΞΤΕ ΑΥΤΕΣ ΤΙΣ ΟΔΗΓΙΕΣ.

### ΤΟΠΟΘΕΤΗΣΗ (Εικ. 1 και 2)

Κατά τη μεταφορά του εργαλείου, η λαβή είναι ασφαλισμένη στη χαμηλωμένη θέση με την περόνη στοπ. Ξεσφίξτε το μπουλόνι με το κλειδί που παρέχεται με το εργαλείο και μετακινήστε την κεφαλή πριονιού στη δεξιά γωνία. Αφαιρέστε το μπουλόνι και ασφαλίστε την κεφαλή πριονιού με το κουμπί.

### Τοποθέτηση βοηθητικής πλάκας (Εικ. 3)

Τοποθετήστε τη βοηθητική πλάκα με τη χρήση της οπής στη βάση του εργαλείου και σφίξτε τη βίδα για να τη στερεώσετε.

### Στερέωση πάγκου

Κατά τη μεταφορά του εργαλείου, η λαβή είναι ασφαλισμένη στη χαμηλωμένη θέση με την περόνη στοπ. Για να ελευθερώσετε την περόνη στοπ, χαμηλώστε λίγο τη λαβή και τραβήξτε την περόνη στοπ. (Εικ. 4)

Το εργαλείο αυτό πρέπει να στερεωθεί με τέσσερα μπουλόνια σε μια επίπεδη και σταθερή επιφάνεια με τη βοήθεια των οπών μπουλονιών που παρέχονται στη βάση του εργαλείου. Αυτό θα συμβάλλει στη μείωση της πιθανότητας κλίσης και πρόκλησης τραυματισμού. (Εικ. 5)

## ΠΕΡΙΓΡΑΦΗ ΛΕΙΤΟΥΡΓΙΑΣ

### ΠΡΟΣΟΧΗ:

- Να βεβαιώνετε πάντοτε ότι το εργαλείο είναι σβηστό και αποσυνδεδεμένο από το ηλεκτρικό ρεύμα πριν ρυθμίζετε ή ελέγχετε κάποια λειτουργία του.

### Προστατευτικό δίσκου (Εικ. 6)

Όταν χαμηλώνει η λαβή, το προστατευτικό δίσκου ανυψώνεται αυτόματα. Το προστατευτικό είναι ελατηριωτό, και έτσι επιστρέφει στην αρχική θέση του όταν ολοκληρώσετε την κοπή και ανυψώσετε τη λαβή. ΠΟΤΕ ΜΗΝ ΠΑΡΑΚΑΜΨΕΤΕ ΚΑΙ ΠΟΤΕ ΜΗΝ ΑΦΑΙΡΕΣΕΤΕ ΤΟ ΠΡΟΣΤΑΤΕΥΤΙΚΟ ΔΙΣΚΟΥ Ή ΤΟ ΕΛΑΤΗΡΙΟ ΠΟΥ ΥΠΑΡΧΕΙ ΠΡΟΣΔΕΜΕΝΟ ΣΤΟ ΠΡΟΣΤΑΤΕΥΤΙΚΟ.

Για την προσωπική ασφάλειά σας, να διατηρείτε πάντοτε το προστατευτικό δίσκου σε καλή κατάσταση. Οποιαδήποτε ανώμαλη λειτουργία του προστατευτικού δίσκου πρέπει να διορθώνεται αμέσως. Ελέγξτε για να βεβαιωθείτε για τη σωστή επιστροφή του ελατηρίου του προστατευτικού. ΜΗ ΧΡΗΣΙΜΟΠΟΙΕΙΤΕ ΠΟΤΕ ΤΟ ΕΡΓΑΛΕΙΟ ΑΝ ΤΟ ΠΡΟΣΤΑΤΕΥΤΙΚΟ ΔΙΣΚΟΥ Ή ΤΟ ΕΛΑΤΗΡΙΟ ΕΧΟΥΝ ΥΠΟΣΤΕΙ ΒΛΑΒΗ, ΝΑΙ ΕΙΝΑΙ ΕΛΑΤΤΩΜΑΤΙΚΑ Ή ΕΧΟΥΝ ΑΦΑΙΡΕΘΕΙ. ΑΥΤΟ ΕΙΝΑΙ ΕΞΑΙΡΕΤΙΚΑ ΕΠΙΚΙΝΔΥΝΟ ΚΑΙ ΜΠΟΡΕΙ ΝΑ ΠΡΟΚΑΛΕΣΕΙ ΣΟΒΑΡΟ ΠΡΟΣΩΠΙΚΟ ΤΡΑΥΜΑΤΙΣΜΟ.

Αν βρομίσει το διαφανές προστατευτικό δίσκου ή αν προσκολληθούν πριονίδια σε αυτό και δεν μπορείτε πλέον να βλέπετε εύκολα το δίσκο, αποσυνδέστε το πριόνι από την ηλεκτρική παροχή και καθαρίστε το προστατευτικό προσεχτικά με ένα βρεγμένο πανί. Μη χρησιμοποιείτε στο πλαστικό προστατευτικό διαλύτες ή οποιαδήποτε καθαριστικά με βάση το πετρέλαιο. Αν βρομίσει το διαφανές προστατευτικό δίσκου ή αν προσκολληθούν πριονίδια σε αυτό και δεν μπορείτε πλέον να βλέπετε εύκολα το δίσκο ή το τεμάχιο εργασίας, αποσυνδέστε το πριόνι από την ηλεκτρική παροχή και καθαρίστε το προστατευτικό προσεχτικά με ένα βρεγμένο πανί. Μη χρησιμοποιείτε στο πλαστικό προστατευτικό διαλύτες ή οποιαδήποτε καθαριστικά με βάση το πετρέλαιο.

Αν το προστατευτικό δίσκου είναι ιδιαίτερα βρόμικο και η ορατότητα μέσα από το προστατευτικό είναι μειωμένη, χρησιμοποιήστε το κλειδί που παρέχεται για να ξεσφίξετε το εξαγωνικό μπουλόνι που συγκρατεί το κεντρικό κάλυμμα. Περιστρέψτε το εξαγωνικό μπουλόνι αριστερόστροφα για να το ξεσφίξετε και ανυψώστε το προστατευτικό δίσκου και το κεντρικό κάλυμμα. Με το προστατευτικό δίσκου σε αυτήν τη θέση, ο καθαρισμός μπορεί να είναι πιο ολοκληρωμένος και αποτελεσματικός. Όταν ολοκληρωθεί ο καθαρισμός, ακολουθήστε την παραπάνω διαδικασία με αντίστροφη σειρά και ασφαλίστε το μπουλόνι. Μην αφαιρέσετε το ελατήριο που συγκρατεί το προστατευτικό δίσκου. Αν το προστατευτικό αποχρωματιστεί με την πάροδο του χρόνου ή με την έκθεση σε υπεριώδη ακτινοβολία, επικοινωνήστε με κέντρο εξυπηρέτησης της Makita για καινούργιο προστατευτικό. ΜΗΝ ΠΑΡΑΚΑΜΨΕΤΕ ΚΑΙ ΜΗΝ ΑΦΑΙΡΕΣΕΤΕ ΤΟ ΠΡΟΣΤΑΤΕΥΤΙΚΟ. (Εικ. 7)

### Αρμός κοπής (Εικ. 8)

Το εργαλείο αυτό παρέχεται με αρμό κοπής στη βάση περιστροφής για να ελαχιστοποιείται το σχίσιμο στην πλευρά εξόδου μιας κοπής. Αν η εγκοπή κοπής δεν έχει ήδη κοπεί στον αρμό κοπής στο εργοστάσιο, πρέπει να κόψετε την εγκοπή πριν χρησιμοποιήσετε το εργαλείο για να κόψετε τεμάχιο εργασίας. Ενεργοποιήστε το εργαλείο και χαμηλώστε απαλά το δίσκο για να κόψετε μια εγκοπή στον αρμό κοπής.

### Διατήρηση μέγιστης ικανότητας κοπής

Το εργαλείο αυτό είναι ρυθμισμένο εργοστασιακά για να παρέχει τη μέγιστη ικανότητα κοπής για δισκοπρίονο 255 mm.

Όταν τοποθετείτε καινούργιο δίσκο, να ελέγχετε πάντοτε τη χαμηλότερη θέση ορίου του δίσκου και, αν απαιτείται, ρυθμίστε την ως εξής:

Πρώτα, αποσυνδέστε το εργαλείο από το ηλεκτρικό ρεύμα. Χαμηλώστε εντελώς τη λαβή.

Χρησιμοποιήστε το κλειδί για να περιστρέψετε το μπουλόνι ρύθμισης έως ότου η περιφέρεια του δίσκου να εκτείνεται λίγο κάτω από την άνω επιφάνεια της βάσης περιστροφής στο σημείο όπου η μπροστινή όψη του οδηγού συναντά την άνω επιφάνεια της βάσης περιστροφής. **(Εικ. 9)**

Με το εργαλείο αποσυνδεδεμένο από την ηλεκτρική παροχή, περιστρέψτε το δίσκο με το χέρι ενώ κρατάτε τη λαβή εντελώς προς τα κάτω ώστε να είστε σίγουροι ότι ο δίσκος δεν έρχεται σε επαφή με οποιοδήποτε τμήμα της κάτω βάσης. Ρυθμίστε ξανά λίγο, αν απαιτείται. **(Εικ. 10)**

#### **ΠΡΟΣΟΧΗ:**

- Μετά την τοποθέτηση καινούργιου δίσκου, να βεβαιώνετε πάντοτε ότι ο δίσκος δεν έρχεται σε επαφή με κανένα τμήμα της κάτω βάσης όταν η λαβή είναι εντελώς χαμηλωμένη. Αυτό να το πραγματοποιείτε πάντοτε με το εργαλείο αποσυνδεδεμένο από την ηλεκτρική παροχή.

### **Ρύθμιση της γωνίας κοπής θηλυκώματος (Εικ. 11)**

Περιστρέψτε τη λαβή αριστερόστροφα για να την ξεσφίξετε. Γυρίστε τη βάση περιστροφής ενώ πιέζετε προς τα κάτω το μοχλό ασφάλισης. Όταν έχετε μετακινήσει τη λαβή στη θέση όπου ο δείκτης είναι στραμμένος στην επιθυμητή γωνία της κλίμακας κοπής θηλυκώματος, ασφαλίστε καλά τη λαβή δεξιόστροφα.

#### **ΠΡΟΣΟΧΗ:**

- Όταν γυρίζετε τη βάση περιστροφής, να φροντίζετε ώστε να ανυψώνετε εντελώς τη λαβή.
- Μετά την αλλαγή της γωνίας κοπής θηλυκώματος, να ασφαλίσετε πάντοτε τη βάση περιστροφής σφίγγοντας καλά τη λαβή.

### **Ρύθμιση της γωνίας λοξοτομής (Εικ. 12 και 13)**

Για να ρυθμίσετε τη γωνία λοξοτομής, ξεσφίξτε το κουμπί στο πίσω μέρος του εργαλείου περιστρέφοντάς το αριστερόστροφα.

Πιέστε τη λαβή προς τα αριστερά για να γείρετε το δισκοπρίονο έως ότου ο δείκτης να είναι στραμμένος στην επιθυμητή γωνία της κλίμακας λοξοτομής.

Κατόπιν σφίξτε το κουμπί περιστρέφοντάς το σταθερά δεξιόστροφα για να ασφαλίσετε το βραχίονα.

#### **ΠΡΟΣΟΧΗ:**

- Όταν γέρνετε το δισκοπρίονο, να φροντίζετε ώστε να ανυψώνετε εντελώς τη λαβή.
- Μετά την αλλαγή της γωνίας λοξοτομής, να ασφαλίσετε πάντοτε το βραχίονα σφίγγοντας το κουμπί δεξιόστροφα.

## **Δράση διακόπτη**

#### **ΠΡΟΣΟΧΗ:**

- Πριν συνδέετε το εργαλείο, πάντοτε να ελέγχετε ότι η σκανδάλη-διακόπτης ενεργοποιείται κανονικά και επιστρέφει στη θέση OFF όταν την αφήνετε.

#### **Για ευρωπαϊκές χώρες (Εικ. 14)**

Για να ξεκινήσετε τη λειτουργία του εργαλείου, πιέστε το μοχλό προς τα δεξιά και κατόπιν πατήστε τη σκανδάλη-διακόπτη. Για να σταματήσετε το εργαλείο, αφήστε τη σκανδάλη-διακόπτη.

#### **Για όλες τις χώρες εκτός Ευρώπης (Εικ. 15)**

Για να ξεκινήσετε το εργαλείο, απλά πιέστε τη σκανδάλη-διακόπτη. Για να σταματήσετε το εργαλείο, αφήστε τη σκανδάλη-διακόπτη.

#### **ΠΡΟΕΙΔΟΠΟΙΗΣΗ:**

- Μη χρησιμοποιείτε ΠΟΤΕ το εργαλείο χωρίς να λειτουργεί πλήρως η σκανδάλη-διακόπτης. Τα εργαλεία με χαλασμένο διακόπτη είναι ΕΞΑΙΡΕΤΙΚΑ ΕΠΙΚΙΝΔΥΝΑ και πρέπει να επισκευάζονται πριν χρησιμοποιηθούν ξανά.

## **ΣΥΝΑΡΜΟΛΟΓΗΣΗ**

#### **ΠΡΟΣΟΧΗ:**

- Να βεβαιώνετε πάντοτε ότι το εργαλείο είναι σβηστό και αποσυνδεδεμένο από το ηλεκτρικό ρεύμα πριν εκτελέσετε οποιαδήποτε εργασία σε αυτό.

### **Τοποθέτηση ή αφαίρεση του δισκοπρίονου**

#### **ΠΡΟΣΟΧΗ:**

- Να βεβαιώνετε πάντοτε ότι το εργαλείο είναι σβηστό και αποσυνδεδεμένο από το ηλεκτρικό ρεύμα πριν τοποθετήσετε ή αφαιρέσετε το δίσκο.
- Να χρησιμοποιείτε μόνο το παρεχόμενο κλειδί της Makita για να τοποθετήσετε ή για να αφαιρέσετε το δίσκο. Αν δεν το κάνετε αυτό, μπορεί να έχει ως αποτέλεσμα υπερβολικό ή ανεπαρκές σφίξιμο του εξαγωνικού μπουλονιού. Αυτό μπορεί να προκαλέσει τραυματισμό.

Όταν αφαιρέτε ή τοποθετείτε το δίσκο, να κρατάτε τη λαβή στην ανυψωμένη θέση. **(Εικ. 16)**

Για να αφαιρέσετε το δίσκο, χρησιμοποιήστε το κλειδί για να ξεσφίξετε το εξαγωνικό μπουλόνι που συγκρατεί το κεντρικό κάλυμμα, γυρίζοντάς το αριστερόστροφα. Ανυψώστε το προστατευτικό δίσκου και το κεντρικό κάλυμμα. **(Εικ. 17)**

Πιέστε το κλειδίωμα άξονα ώστε να κλειδώσετε την άτρακτο και χρησιμοποιήστε το κλειδί για να ξεσφίξετε το εξαγωνικό μπουλόνι, γυρίζοντάς το δεξιόστροφα. Κατόπιν, αφαιρέστε το εξαγωνικό μπουλόνι, την εξωτερική φλάντζα και το δίσκο. **(Εικ. 18)**

Για να τοποθετήσετε το δίσκο, στερεώστε τον προσεχτικά στην άτρακτο, αφού βεβαιωθείτε ότι η κατεύθυνση του βέλους στην επιφάνεια του δίσκου αντιστοιχεί στην κατεύθυνση του βέλους στη θήκη του δίσκου. Τοποθετήστε την εξωτερική φλάντζα και το εξαγωνικό μπουλόνι και κατόπιν χρησιμοποιήστε

το κλειδί για να σφίξετε καλά το εξαγωνικό μπουλόνι αριστερότροφα ενώ πιέζετε το κλειδωμα άξονα. **(Εικ. 19 και 20)**

#### **ΠΡΟΣΟΧΗ:**

- Ο δακτύλιος εξωτερικής διαμέτρου 25,4 mm ή 30 mm τοποθετείται εργοστασιακά στην άτρακτο. Πριν στερεώσετε το δίσκο επάνω στην άτρακτο, να βεβαιώνετε πάντοτε ότι είναι τοποθετημένος στην άτρακτο ο σωστός δακτύλιος για την οπή άξονα του δίσκου που σκοπεύετε να χρησιμοποιήσετε.

Τοποθετήστε την εξωτερική φλάντζα και το εξαγωνικό μπουλόνι και κατόπιν χρησιμοποιήστε το κλειδί για να σφίξετε καλά το εξαγωνικό μπουλόνι αριστερότροφα ενώ πιέζετε το κλειδωμα άξονα.

Επιστρέψτε το προστατευτικό δίσκου και το κεντρικό κάλυμμα στην αρχική τους θέση. Κατόπιν, σφίξτε το εξαγωνικό μπουλόνι δεξιότροφα για να ασφαλίστε το κεντρικό κάλυμμα. Χαμηλώστε τη λαβή για να βεβαιωθείτε ότι το προστατευτικό δίσκου κινείται σωστά. Βεβαιωθείτε ότι το κλειδωμα άξονα έχει ελευθερώσει την άτρακτο πριν πραγματοποιήσετε κοπές.

### **Σάκος σκόνης (Εικ. 21 και 22)**

Η χρήση του σάκου σκόνης καθιστά καθαρές τις λειτουργίες κοπής και εύκολη τη συλλογή της σκόνης. Για να συνδέσετε το σάκο σκόνης, προσαρμόστε το στο στόμιο σκόνης.

Όταν ο σάκος σκόνης είναι μισογεμάτος, βγάλτε το σάκο σκόνης από το εργαλείο και τραβήξτε τον συνδετήρα προς τα έξω. Αδειάστε τα περιεχόμενα του σάκου σκόνης, χτυπώντας τον ελαφρά για να αφαιρέσετε τα σωματίδια που υπάρχουν προσκολλημένα στο εσωτερικό που ίσως να εμποδίζουν την περαιτέρω συλλογή.

#### **ΣΗΜΕΙΩΣΗ:**

Αν συνδέσετε ηλεκτρική σκούπα της Makita στο πριόνι σας, μπορείτε να διεξαγάγετε εργασίες πιο αποδοτικά και πιο καθαρά.

### **Στερέωση τεμαχίου εργασίας**

#### **ΠΡΟΕΙΔΟΠΟΙΗΣΗ:**

- Είναι εξαιρετικά σημαντικό να στερεώνετε πάντοτε το τεμάχιο εργασίας σωστά και καλά με τη μέγκενη. Αν δεν το κάνετε αυτό, μπορεί να προκληθεί ζημιά στο εργαλείο ή/και καταστροφή του τεμαχίου εργασίας. **ΙΣΩΣ ΝΑ ΠΡΟΚΛΗΘΕΙ ΚΑΙ ΠΡΟΣΩΠΙΚΟΣ ΤΡΑΥΜΑΤΙΣΜΟΣ.** Επίσης, μετά από μια λειτουργία κοπής, ΜΗΝ ανυψώνετε το δίσκο έως ότου αυτός να ακινητοποιηθεί εντελώς.

#### **ΠΡΟΣΟΧΗ:**

- Όταν κόβετε μακριά τεμάχια εργασίας, να χρησιμοποιείτε στηρίγματα που φτάνουν το ύψος της άνω επιφάνειας της βάσης περιστροφής. Μη βασίζεστε αποκλειστικά και μόνο στην κάθετη μέγκενη ή/και την οριζόντια μέγκενη για να στερεώσετε το τεμάχιο εργασίας.
- Το λεπτό υλικό τείνει να κάμπτεται. Να στηρίζετε το τεμάχιο εργασίας σε ολόκληρο το μήκος του για να αποφεύγετε το κίνδυνο πιασίματος του δίσκου και το ΚΛΟΤΣΗΜΑ. **(Εικ. 23)**

### **Κάθετη μέγκενη (Εικ. 24)**

Μπορείτε να τοποθετήσετε την κάθετη μέγκενη σε δύο θέσεις, είτε στην αριστερή ή στη δεξιά πλευρά του οδηγού. Εισάγετε τη ράβδο μέγκενης μέσα στην οπή στον οδηγό και σφίξτε τη βίδα για να στερεώσετε τη ράβδο μέγκενης.

Τοποθετήστε το βραχίονα μέγκενης ανάλογα με το πάχος και το σχήμα του τεμαχίου εργασίας και στερεώστε το βραχίονα μέγκενης σφίγγοντας τη βίδα. Βεβαιωθείτε ότι κανένα μέρος του εργαλείου δεν έρχεται σε επαφή με τη μέγκενη όταν χαμηλώνετε εντελώς τη λαβή. Αν κάποιο μέρος έρθει σε επαφή με τη μέγκενη, τοποθετήστε τη μέγκενη σε νέα θέση.

Πιέστε το τεμάχιο εργασίας επίπεδα επάνω στον οδηγό και τη βάση περιστροφής. Τοποθετήστε το τεμάχιο εργασίας στην επιθυμητή θέση κοπής και στερεώστε το καλά σφίγγοντας το κουμπί μέγκενης.

#### **ΠΡΟΣΟΧΗ:**

- Το τεμάχιο εργασίας πρέπει να είναι καλά στερεωμένο επάνω στη βάση περιστροφής και του οδηγό με τη μέγκενη, κατά τη διάρκεια όλων των λειτουργιών.

## **ΛΕΙΤΟΥΡΓΙΑ**

#### **ΠΡΟΣΟΧΗ:**

- Πριν από τη χρήση, να βεβαιώνετε ότι ελευθερώνετε τη λαβή από τη χαμηλωμένη θέση τραβώντας την περόνη στοπ.
- Να βεβαιώνετε ότι ο δίσκος δεν ακουμπάει το τεμάχιο εργασίας, κτλ. πριν ενεργοποιείτε το διακόπτη λειτουργίας.
- Μην ασκείτε υπερβολική πίεση στη λαβή κατά τη κοπή. Η υπερβολική δύναμη ίσως να έχει ως αποτέλεσμα υπερφόρτωση του μοτέρ ή/και μειωμένη απόδοση κοπής. Να πιέζετε τη λαβή προς τα κάτω μόνο με όση δύναμη απαιτείται για ομαλή κοπή, χωρίς σημαντική μείωση της ταχύτητας του δίσκου.
- Να πιέζετε απαλά προς τα κάτω τη λαβή για να πραγματοποιείται την κοπή. Αν πιέσετε προς τα κάτω το δίσκο με δύναμη ή αν ασκήσετε πλευρική δύναμη, ο δίσκος δονείται και αφήνει σημάδι (σημάδι πριονιού) στο τεμάχιο εργασίας, ενώ θα μειωθεί και η ακρίβεια της κοπής.

#### **1. Κοπή με πίεση (Εικ. 25)**

Στερεώστε το τεμάχιο εργασίας με τη μέγκενη. Ενεργοποιήστε το εργαλείο χωρίς ο δίσκος να έρχεται σε επαφή με ο,τιδήποτε και περιμένετε έως ότου ο δίσκος φτάσει στην πλήρη ταχύτητά του πριν χαμηλώσετε το εργαλείο. Κατόπιν, χαμηλώστε απαλά τη λαβή στην πλήρως χαμηλωμένη θέση για να κόψετε το τεμάχιο εργασίας. Όταν ολοκληρώσετε την κοπή, σβήστε το εργαλείο και ΠΕΡΙΜΕΝΕΤΕ ΕΩΣ ΟΤΟΥ Ο ΔΙΣΚΟΣ ΑΚΙΝΗΤΟΠΟΙΗΘΕΙ ΕΝΤΕΛΩΣ πριν επιστρέψετε το δίσκο στην πλήρως ανυψωμένη θέση του.

#### **2. Κοπή θηλυκωμάτων**

Ανατρέξτε στην παράγραφο «Ρύθμιση γωνίας κοπής θηλυκώματος».

### 3. Λοξοτομή (Εικ. 26)

Ξεσφίξτε το κομμάτι και γείρετε το δισκοπρίονο για να ρυθμίσετε τη γωνία λοξοτομής. (Ανατρέξτε στην παράγραφο «Ρύθμιση γωνίας λοξοτομής»). Βεβαιωθείτε να ξανασφίξετε καλά το κομμάτι για να επιλέξετε με ασφάλεια τη γωνία λοξοτομής. Στερεώστε το τεμάχιο εργασίας με τη μέγκενη. Ενεργοποιήστε το εργαλείο χωρίς ο δίσκος να έρχεται σε επαφή με ο,τιδήποτε και περιμένετε έως ότου ο δίσκος φτάσει στην πλήρη ταχύτητά του. Κατόπιν, χαμηλώστε απαλά τη λαβή στην πλήρως χαμηλωμένη θέση ενώ ασκείτε πίεση παράλληλα με το δίσκο. Όταν ολοκληρώσετε την κοπή, σβήστε το εργαλείο και ΠΕΡΙΜΕΝΕΤΕ ΕΩΣ ΟΤΟΥ Ο ΔΙΣΚΟΣ ΑΚΙΝΗΤΟΠΟΙΗΘΕΙ ΕΝΤΕΛΩΣ πριν επιστρέψετε το δίσκο στην πλήρως ανυψωμένη θέση του.

#### ΠΡΟΣΟΧΗ:

- Να βεβαιώνετε πάντοτε ότι ο δίσκος θα κινηθεί προς τα κάτω στην κατεύθυνση λοξοτομής κατά τη διάρκεια λοξοτομής. Κρατήστε τα χέρια σας μακριά από τη διαδρομή του δισκοπρίονου.
- Κατά τη διάρκεια λοξοτομής, ίσως το αποκομμένο κομμάτι να ακουμπήσει επάνω στην πλευρά του δίσκου. Αν ανυψώσετε το δίσκο ενώ αυτός εξακολουθεί να περιστρέφεται, το κομμάτι αυτό ίσως να πιαστεί στο δίσκο και να προκαλέσει την εκτόξευση θραυσμάτων, γεγονός που είναι επικίνδυνο. Πρέπει να ανυψώνετε το δίσκο ΜΟΝΟ αφού αυτός ακινητοποιηθεί εντελώς.
- Όταν πιέζετε προς τα κάτω τη λαβή, να ασκείτε δύναμη παράλληλα προς το δίσκο. Αν η δύναμη δεν είναι παράλληλη προς το δίσκο κατά τη διάρκεια κοπής, η γωνία του δίσκου μπορεί να μετατοπιστεί και να μειωθεί η ακρίβεια της κοπής.

### 4. Σύνθετη κοπή

Η σύνθετη κοπή είναι μια διαδικασία κατά την οποία η γωνία λοξοτομής πραγματοποιείται ταυτόχρονα με τη γωνία κοπής θηλυκώματος στο τεμάχιο εργασίας. Η σύνθετη κοπή μπορεί να πραγματοποιηθεί στη γωνία που παρουσιάζεται στον παρακάτω πίνακα.

Γωνία λοξοτομής	Γωνία κοπής θηλυκώματος
45°	Αριστερά και δεξιά 0 - 45°

Όταν πραγματοποιείτε σύνθετη κοπή, ανατρέξτε στις περιγραφές στις παραγράφους «Κοπή με πίεση», «Κοπή θηλυκώματος» και «Λοξοτομή».

### 5. Κοπή προεξοχής αλουμινίου (Εικ. 27)

Όταν στερεώνετε προεξοχές αλουμινίου, να χρησιμοποιείτε τεμάχια αποστάτη ή μεταλλικά κομμάτια όπως απεικονίζεται στην εικόνα για να αποτρέψετε την παραμόρφωση του αλουμινίου. Να χρησιμοποιείτε λιπαντικό κοπής όταν κόβετε προεξοχές αλουμινίου για να αποτρέψετε τη συσσώρευση υλικών αλουμινίου στο δίσκο.

#### ΠΡΟΣΟΧΗ:

- Μην επιχειρήσετε ποτέ να κόψετε παχιές ή στρογγυλές προεξοχές αλουμινίου. Οι παχιές προεξοχές αλουμινίου μπορεί να ελευθερωθούν κατά τη λειτουργία και οι στρογγυλές προεξοχές

αλουμινίου δεν μπορούν να στερεωθούν καλά με αυτό το εργαλείο.

### 6. Επένδυση ξύλου (Εικ. 28)

Η χρήση επένδυσης ξύλου βοηθάει στην εξασφάλιση κοπών χωρίς σκληθρες στα τεμάχια εργασίας. Στερεώστε μια επένδυση ξύλου στον οδηγό με τη βοήθεια των οπών στον οδηγό. Δείτε την εικόνα με τις διαστάσεις για τις προτεινόμενες επενδύσεις ξύλου.

#### ΠΡΟΣΟΧΗ:

- Να χρησιμοποιείτε ευθεία ξύλα με ομοιόμορφο πάχος ως επένδυση ξύλου.
- Να χρησιμοποιείτε βίδες για να στερεώσετε την επένδυση ξύλου στον οδηγό. Πρέπει να τοποθετήσετε τις βίδες με τρόπο ώστε οι κεφαλές βιδών να βρίσκονται κάτω από την επιφάνεια της επένδυσης ξύλου.
- Όταν η επένδυση ξύλου είναι στερεωμένη, μη γυρίζετε τη βάση περιστροφής με χαμηλωμένη τη λαβή. Θα προκληθεί ζημιά στο δίσκο ή/και την επένδυση ξύλου.
- Το μέγιστο πλάτος κοπής θα είναι μικρότερο κατά το πλάτος της επένδυσης ξύλου.

### 7. Επαναλαμβανόμενη κοπή ισομήκων κομματιών (Εικ. 29)

Όταν κόβετε αρκετά κομμάτια στο ίδιο μήκος, το οποίο κυμαίνεται από 240 mm έως 380 mm, να χρησιμοποιείτε την πλάκα συγκράτησης (προαιρετικό αξεσουάρ) που συμβάλλει στην πιο αποδοτική λειτουργία. Τοποθετήστε την πλάκα συγκράτησης στην υποδοχή (προαιρετικό αξεσουάρ) όπως απεικονίζεται στην εικόνα. Ευθυγραμμίστε τη γραμμή κοπής στο τεμάχιο εργασίας σας με την αριστερή ή τη δεξιά πλευρά της εγκοπής στον αρμό κοπής, και ενώ συγκρατείτε το τεμάχιο εργασίας για να μην κινείται, μετακινήστε την πλάκα συγκράτησης με τρόπο ώστε να εφαρμόζει επάνω στο άκρο του τεμαχίου εργασίας. Κατόπιν, στερεώστε την πλάκα συγκράτησης με τη βίδα. Όταν δεν χρησιμοποιείτε την πλάκα συγκράτησης, ξεσφίξτε τη βίδα και γυρίστε την πλάκα συγκράτησης ώστε να μην εμποδίζει.

### Μεταφορά εργαλείου (Εικ. 30)

Να βεβαιώνετε ότι το εργαλείο είναι αποσυνδεδεμένο από την ηλεκτρική παροχή. Στερεώστε το δίσκο σε γωνία λοξοτομής 0° και τη βάση περιστροφής στην πλήρως αριστερή γωνία κοπής θηλυκώματος. Χαμηλώστε εντελώς τη λαβή και κλειδώστε τη στη χαμηλωμένη θέση πιέζοντας προς τα μέσα την περόνη stop. Μεταφέρετε το εργαλείο από τη λαβή μεταφοράς όπως απεικονίζεται στην εικόνα. Αν αφαιρέσετε τις υποδοχές, το σάκο σκόνης κτλ., θα μπορείτε να μεταφέρετε το εργαλείο πιο εύκολα. (Εικ. 31)

#### ΠΡΟΣΟΧΗ:

- Να στερεώνετε πάντοτε όλα τα κινούμενα μέρη πριν μεταφέρετε το εργαλείο.
- Η περόνη stop διατίθεται μόνο για σκοπούς μεταφοράς και αποθήκευσης, και όχι για λειτουργίες κοπής.

# ΣΥΝΤΗΡΗΣΗ

## ΠΡΟΣΟΧΗ:

- Να βεβαιώνετε πάντοτε ότι το εργαλείο είναι σβηστό και αποσυνδεδεμένο από το ηλεκτρικό ρεύμα πριν εκτελέσετε οποιαδήποτε εργασία ελέγχου ή συντήρησης σε αυτό.

## ΠΡΟΕΙΔΟΠΟΙΗΣΗ:

- Να βεβαιώνετε πάντοτε ότι ο δίσκος είναι αιχμηρός και καθαρός για να έχετε τη βέλτιστη και ασφαλέστερη απόδοση.

## Ρύθμιση της γωνίας κοπής

Το εργαλείο ρυθμίζεται και ευθυγραμμίζεται προσεκτικά στο εργοστάσιο, αλλά ο απρόσεχτος χειρισμός ίσως να επηρεάσει την ευθυγράμμιση. Αν το εργαλείο σας δεν είναι σωστά ευθυγραμμισμένο, εκτελέστε τις ακόλουθες διαδικασίες:

### 1. Γωνία κοπής θηλυκώματος (Εικ. 32)

Ξεσφίξτε τη λαβή που στερεώνει τη βάση περιστροφής. Γυρίστε τη βάση περιστροφής ώστε ο δείκτης να είναι στραμμένος στις 0° στην κλίμακα κοπής θηλυκώματος. Με τη βοήθεια του κλειδιού, σφίξτε τη λαβή και ξεσφίξτε τα εξαγωνικά μπουλόνια που στερεώνουν τον οδηγό. Αν ο δείκτης δεν είναι στραμμένος στις 0° στην κλίμακα κοπής θηλυκώματος, ξεσφίξτε τη βίδα που στερεώνει το δείκτη και κατόπιν μετακινήστε και στερεώστε την πλάκα δείκτη ώστε ο δείκτης να είναι στραμμένος στις 0° στην κλίμακα κοπής θηλυκώματος.

Χαμηλώστε εντελώς τη λαβή και κλειδώστε τη στη χαμηλωμένη θέση πιέζοντας προς τα μέσα την περόνη στοπ. Ευθυγραμμίστε την πλευρά του δίσκου με την πρόσοψη του οδηγού με τη βοήθεια τριγωνικού οδηγού, κανόνα, κτλ. Κατόπιν, στερεώστε καλά τα εξαγωνικά μπουλόνια στον οδηγό με τη χρήση ξεκινώντας από τη δεξιά πλευρά. (Εικ. 33)

### 2. Γωνία λοξοτομής

(1) γωνία λοξοτομής 0° (Εικ. 34)

Χαμηλώστε εντελώς τη λαβή και κλειδώστε τη στη χαμηλωμένη θέση πιέζοντας προς τα μέσα την περόνη στοπ. Ξεσφίξτε το κουμπί στο πίσω μέρος του εργαλείου. Ξεσφίξτε το εξαγωνικό παξιμάδι και περιστρέψτε το μπουλόνι ρύθμισης λοξοτομής 0° στη δεξιά πλευρά της βάσης περιστροφής κατά δύο ή τρεις στροφές δεξιόστροφα για να γείρετε το δίσκο προς τα δεξιά.

Ευθυγραμμίστε προσεκτικά την πλευρά του δίσκου με την άνω επιφάνεια της βάσης περιστροφής με τη βοήθεια τριγωνικού οδηγού, κανόνα, κτλ., περιστρέφοντας το μπουλόνι ρύθμισης γωνίας λοξοτομής 0° αριστερόστροφα. Κατόπιν σφίξτε το εξαγωνικό παξιμάδι για να στερεώσετε το μπουλόνι ρύθμισης γωνίας λοξοτομής 0° και σφίξτε καλά το κουμπί. Βεβαιωθείτε ότι ο δείκτης στο βραχίονα είναι στραμμένος στις 0° της κλίμακας λοξοτομής. Αν ο δείκτης δεν είναι στραμμένος στις 0° της κλίμακας λοξοτομής, ξεσφίξτε τη βίδα που στερεώνει το δείκτη και μετακινήστε και στερεώστε την πλάκα δείκτη με τρόπο ώστε ο

δείκτης να είναι στραμμένος στις 0° στην κλίμακα λοξοτομής. (Εικ. 35 και 36)

(2) γωνία λοξοτομής 45° (Εικ. 37)

Να ρυθμίζετε τη γωνία λοξοτομής 45° μόνο αφού έχετε πραγματοποιήσει ρύθμιση γωνίας λοξοτομής 0°. Πα να ρυθμίσετε την αριστερή γωνία λοξοτομής 45°, ξεσφίξτε το κουμπί και γείρετε το δίσκο εντελώς προς τα αριστερά. Βεβαιωθείτε ότι ο δείκτης στο βραχίονα είναι στραμμένος στις 45° της κλίμακας λοξοτομής στο βραχίονα. Αν ο δείκτης δεν είναι στραμμένος στις 45°, περιστρέψτε το μπουλόνι ρύθμισης γωνίας λοξοτομής 45° στην αριστερή πλευρά του βραχίονα έως ότου ο δείκτης να είναι στραμμένος στις 45°.

## Αλλαγή καρβουνακίων (Εικ. 38)

Να αφαιρείτε και να ελέγχετε τακτικά τα καρβουνάκια. Να αντικαθιστάτε τα καρβουνάκια όταν έχουν φθαρεί έως τα 3 mm σε μήκος. Να διατηρείτε τα καρβουνάκια καθαρά και ελεύθερα για να γλιστρούν στις υποδοχές. Πρέπει να αλλάζετε ταυτόχρονα και τα δύο καρβουνάκια. Να χρησιμοποιείτε μόνο καρβουνάκια ίδιου τύπου.

Με τη βοήθεια ενός κατασβιδιού, βγάλτε τα καπάκια υποδοχής για τα καρβουνάκια. Βγάλτε τα φαρμμένα καρβουνάκια, τοποθετήστε τα καινούργια και ασφαλίστε τα καπάκια υποδοχής για τα καρβουνάκια. (Εικ. 39)

## Μετά τη χρήση

- Μετά τη χρήση, σκουπίστε τα θραύσματα και τη σκόνη που έχουν προσκολληθεί επάνω στο εργαλείο με ένα πανί ή παρόμοιο υλικό. Να διατηρείτε τον οδηγό δίσκου καθαρό σύμφωνα με τις οδηγίες στην παράγραφο «Οδηγός δίσκου». Να λιπαίνετε τα ολισθαίνοντα τμήματα με μηχανέλαιο για να αποφεύγετε το σκουρίασμα.

Για να διατηρείται η ΑΣΦΑΛΕΙΑ και η ΑΞΙΟΠΙΣΤΙΑ του προϊόντος, οι εργασίες επισκευής, καθώς και οποιαδήποτε άλλη εργασία συντήρησης ή ρύθμισης, θα πρέπει να εκτελούνται σε εξουσιοδοτημένα κέντρα εξυπηρέτησης της Makita, και πάντοτε με τη χρήση ανταλλακτικών της Makita.

**ENGLISH****EC-DECLARATION OF CONFORMITY** ENH003-7**Modèle; MLS100**

We declare under our sole responsibility that this product is in compliance with the following standards of standardized documents;  
EN61029, EN55014, EN61000 in accordance with Council Directives, 2004/108/EC, 98/37/EC.

**FRANÇAIS****DÉCLARATION DE CONFORMITÉ CE** ENH003-7**Modèle : MLS100**

Nous déclarons, sous notre entière responsabilité, que ce produit répond aux normes suivantes de documents normalisés :  
EN61029, EN55014, EN61000 conformément aux Directives du Conseil, 2004/108/EC, 98/37/EC.

**DEUTSCH****EG-KONFORMITÄTSERKLÄRUNG** ENH003-7**Modell; MLS100**

Wir erklären unter unserer alleinigen Verantwortlichkeit, dass sich dieses Produkt in Übereinstimmung mit den folgenden Normen der Normdokumente  
EN61029, EN55014, EN61000 befindet sowie in Übereinstimmung mit den Ratsverordnungen 2004/108/EC, 98/37/EC.

**ITALIANO****DICHIARAZIONE DI CONFORMITÀ CE** ENH003-7**Modello; MLS100**

Dichiariamo sotto nostra esclusiva responsabilità che il presente prodotto è conforme alle seguenti norme o documenti normativi:  
EN61029, EN55014, EN61000 secondo le disposizioni delle direttive del Consiglio, 2004/108/CE, 98/37/CE.

**NEDERLANDS****EU-VERKLARING VAN CONFORMITEIT** ENH003-7**Model; MLS100**

Wij verklaren onder eigen verantwoordelijkheid dat dit product voldoet aan de normen in de volgende genormaliseerde documenten:  
EN61029, EN55014 en EN61000 in overeenstemming met de richtlijnen van de Raad, 2004/108/EC, 98/37/EC.

**ESPAÑOL****DECLARACIÓN DE CONFORMIDAD DE LA CE** ENH003-7**Modelo; MLS100**

Declaramos bajo nuestra exclusiva responsabilidad que este producto cumple con los siguientes estándares de documentos estandarizados;  
EN61029, EN55014, EN61000 de acuerdo con las directivas del Consejo, 2004/108/EC, 98/37/EC.

*Tomoyasu Kato CE 2006*


Director	Amministratore
Directeur	Directeur
Direktor	Director

Responsible manufacturer:	Produttore responsabile:
Fabricant responsable :	Verantwoordelijke fabrikant:
Verantwortlicher Hersteller:	Fabricante responsable:

**Makita Corporation**

3-11-8, Sumiyoshi-cho, Anjo, Aichi, JAPAN

Authorized Representative in Europe:	Rappresentanti autorizzati in Europa:
Représentant agréé en Europe :	Erkende vertegenwoordiger in Europa:
Autorisierte Vertretung in Europa:	Representante autorizado en Europa:

**Makita International Europe Ltd.**

Michigan Drive, Tongwell, Milton Keynes,  
Bucks MK15 8JD, ENGLAND



## PORTUGUÊS

**EC-DECLARAÇÃO DE CONFORMIDADE** ENH003-7

**Modelo; MLS100**

Declaramos, sob a nossa única responsabilidade, que este produto está em conformidade com as seguintes normas de documentos normalizados;

EN61029, EN55014, EN61000 em conformidade com as Directivas do Conselho, 2004/108/EC, 98/37/EC.

## ΕΛΛΗΝΙΚΑ

**EC – ΔΗΛΩΣΗ ΣΥΜΜΟΡΦΩΣΗΣ** ENH003-7

**Μοντέλο, MLS100**

Δηλώνουμε με αποκλειστική ευθύνη μας ότι το προϊόν αυτό συμμορφώνεται με τα ακόλουθα πρότυπα των τυποποιημένων εντύπων:

EN61029, EN55014, EN61000 σε συμφωνία με τις Οδηγίες της Επιτροπής, 2004/108/ΕΚ, 98/37/ΕΚ.

## DANSK

**EC-ERKLÆRING VEDRØRENDE OVERHOLDELSE AF  
STANDARDE** ENH003-7

**Model; MLS100**

Vi erklærer og tager det fulde ansvar for, at produktet overholder følgende standarder i

standardiseringsdokumenterne

EN61029, EN55014, EN61000 i overensstemmelse med Rådets direktiver 2004/108/EC, 98/37/EC.

*Tomoyasu Kato CE 2006*



Director  
Direktør

Διευθυντής

Fabricante responsável:  
Ansvarlig fabrikant:

Υπεύθυνος κατασκευαστής:

### **Makita Corporation**

3-11-8, Sumiyoshi-cho, Anjo, Aichi, JAPAN

Representante autorizado na Europa:  
Autoriseret repræsentant i Europa:

Εξουσιοδοτημένος Αντιπρόσωπος στην Ευρώπη:

### **Makita International Europe Ltd.**

Michigan Drive, Tongwell, Milton Keynes,  
Bucks MK15 8JD, ENGLAND

## ENGLISH

For European countries only

### Noise and Vibration

ENG015-1

The typical A-weighted noise levels are  
sound pressure level: 92 dB (A)  
sound power level: 105 dB (A)  
Uncertainty: 3 dB (A)  
–Wear ear protection.–

The typical weighted root mean square acceleration value is  
not more than 2.5 m/s<sup>2</sup>.

These values have been obtained according to EN61029.

## FRANÇAIS

Pour le modèle KP0810

Pour l'Europe uniquement

### Bruit et vibrations

ENG015-1

Les niveaux de bruit pondéré A typiques sont les suivants :  
niveau de pression sonore : 92 dB (A)  
niveau de puissance sonore : 105 dB (A)  
Incertitude : 3 dB (A)  
–Portez des protections auditives.–

La valeur d'accélération quadratique pondérée typique ne  
dépasse pas 2,5 m/s<sup>2</sup>.

Ces valeurs ont été obtenues selon l'EN61029.

## DEUTSCH

Nur für europäische Länder

### Geräusche und Vibrationen

ENG015-1

Die typischen effektiven Geräuschpegel betragen für  
Schalldruck: 92 dB (A)  
Schalleistungspegel: 105 dB (A)  
Abweichung: 3 dB (A)  
–Tragen Sie Gehörschutz.–

Der typische effektive Beschleunigungswert beträgt höchstens  
2,5 m/s<sup>2</sup>.

Diese Werte wurden entsprechend der Norm EN61029  
gewonnen.

## ITALIANO

Solo per i paesi europei

### Rumore e vibrazione

ENG015-1

I tipici livelli di rumore ponderati "A" sono  
livello di pressione sonora: 92 dB (A)  
livello di potenza sonora: 105 dB (A)  
Variazione: 3 dB (A)

–Indossare una protezione acustica.–

In genere, il valore efficace ponderato dell'accelerazione non  
supera i 2,5 m/s<sup>2</sup>.

Questi valori sono stati ottenuti in conformità con la norma  
EN61029.

## NEDERLANDS

Alleen voor Europese landen

### Geluid en trillingen

ENG015-1

De typisch, A-gewogen geluidsniveaus zijn  
geluidsdruk niveau: 92 dB (A)  
geluidsvermogen niveau: 105 dB (A)  
Onnauwkeurigheid: 3 dB (A)

–Draag gehoorbescherming–

De karakteristieke gewogen effectieve versnellingswaarde is  
niet hoger dan 2,5 m/s<sup>2</sup>.

Deze waarden zijn verkregen volgens EN61029.

## ESPAÑOL

Sólo para los países europeos

### Ruido y vibración

ENG015-1

Los niveles típicos de ruido ponderado A son  
nivel de presión sonora: 92 dB (A)  
nivel de potencia sonora: 105 dB (A)  
Incertidumbre: 3 dB (A)

–Útilice protección para los oídos.–

El valor ponderado de aceleración no es superior a 2,5 m/s<sup>2</sup>.  
Estos valores se han obtenido conforme a EN61029.

Tomoyasu Kato CE 2006



Director	Amministratore
Directeur	Directeur
Direktor	Director

Responsible manufacturer:	Produttore responsabile:
Fabricant responsable :	Verantwoordelijke fabrikant:
Verantwortlicher Hersteller:	Fabricante responsable:

### Makita Corporation

3-11-8, Sumiyoshi-cho, Anjo, Aichi, JAPAN

Authorized Representative in Europe:	Rappresentanti autorizzati in Europa:
Représentant agréé en Europe :	Erkende vertegenwoordiger in Europa:
Autorisierte Vertretung in Europa:	Representante autorizado en Europa:

### Makita International Europe Ltd.

Michigan Drive, Tongwell, Milton Keynes,  
Bucks MK15 8JD, ENGLAND

## PORTUGUÊS

### Apenas para os países Europeus

#### Ruído e vibrações

ENG015-1

Os níveis acústicos ponderados A típicos são

nível de pressão sonora: 92 dB (A)

nível de potência sonora: 105 dB (A)

Incerteza: 3 dB (A)

–Use protecção para os ouvidos.–

A do valor médio quadrático ponderado da variação da aceleração não é superior a 2,5 m/s<sup>2</sup>.

Estes valores foram obtidos segundo a norma EN61029.

## ΕΛΛΗΝΙΚΑ

### Για τις ευρωπαϊκές χώρες μόνο

#### Θόρυβος και κραδασμός

ENG015-1

Το σύνθετος σταθμισμένο επίπεδο ηχητικής πίεσης είναι:

Επίπεδο ηχητικής πίεσης: 92 dB (A)

Επίπεδο ηχητικής ισχύος: 105 dB (A)

Αβεβαιότητα: 3 dB (A)

–Να φοράτε ωτοασπίδες.–

Η συνήθης σταθμισμένη μέση τετραγωνική ρίζα της τιμής επιτάχυνσης δεν υπερβαίνει τα 2,5 m/s<sup>2</sup>.

Οι τιμές αυτές έχουν ληφθεί σύμφωνα με το EN61029.

## DANSK

### Kun til lande i Europa

#### Støj og Vibration

ENG015-1

De typiske A-vægtede støjniveauer er

lydtryksniveau: 92 dB (A)

lydkraftniveau: 105 dB (A)

Usikkerhed: 3 dB (A)

–Bær høreværn.–

Den typiske vægtede effektive accelerationsværdi er ikke over 2,5 m/s<sup>2</sup>.

Disse værdier er målt i overensstemmelse med EN61029.

Tomoyasu Kato CE 2006



Director

Διευθυντής

Direktør

Fabricante responsável:

Υπεύθυνος κατασκευαστής:

Ansvarlig fabrikant:

### Makita Corporation

3-11-8, Sumiyoshi-cho, Anjo, Aichi, JAPAN

Representante autorizado na Europa:

Εξουσιοδοτημένος Αντιπρόσωπος στην Ευρώπη:

Autoriseret repræsentant i Europa:

### Makita International Europe Ltd.

Michigan Drive, Tongwell, Milton Keynes,  
Bucks MK15 8JD, ENGLAND

Makita Corporation  
Anjo, Aichi, Japan

JM23080024