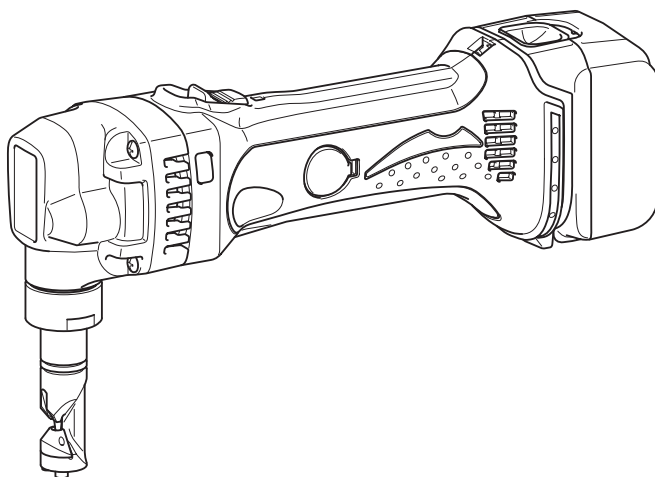
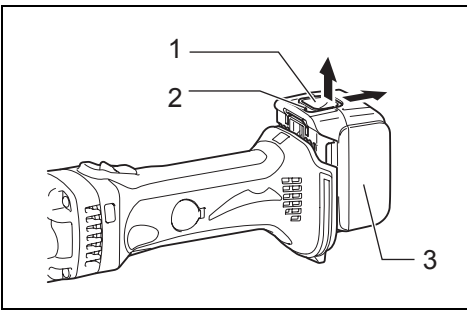




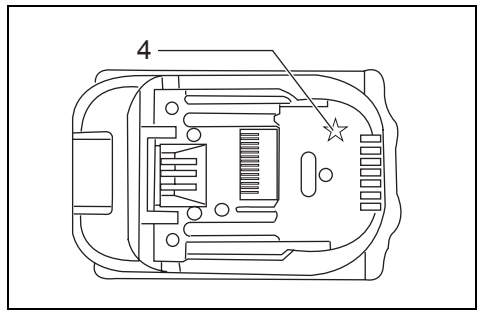
GB	Cordless Nibbler	Instruction Manual
F	Grignoteuse Sans Fil	Manuel d'instructions
D	Akku-Knabber	Betriebsanleitung
I	Roditrice a batteria	Istruzioni per l'uso
NL	Snoerloze knabbelschaar	Gebruiksaanwijzing
E	Roedora Inalámbrica	Manual de instrucciones
P	Tesoura Punção a Bateria	Manual de instruções
DK	Akku-pladestanser	Brugsanvisning
GR	Ζουμποψάλιδο μπαταρίας	Οδηγίες χρήσεως
TR	Akülü Nibler	Kullanma kılavuzu

DJN160
DJN161

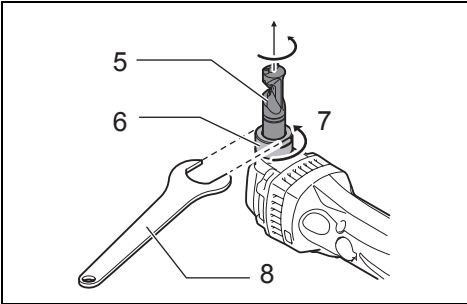




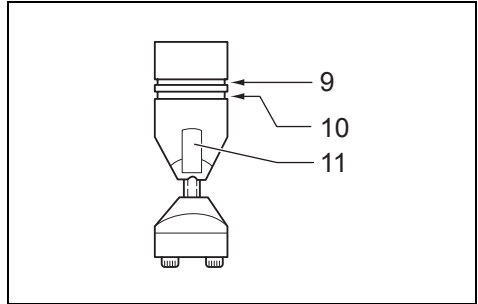
1 013273



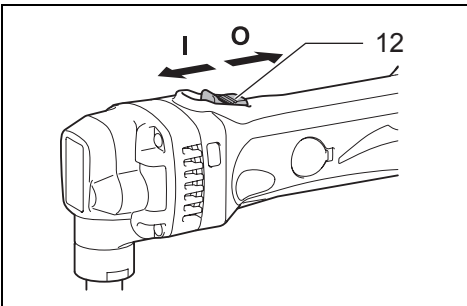
2 012128



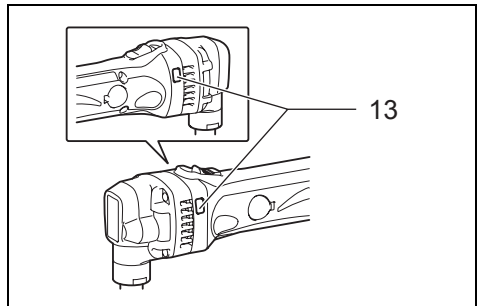
3 013275



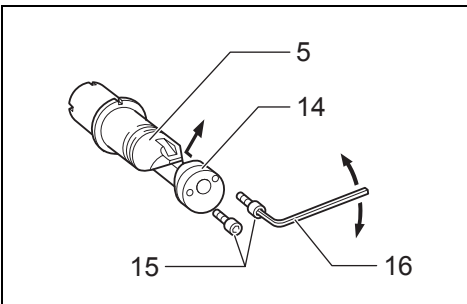
4 004775



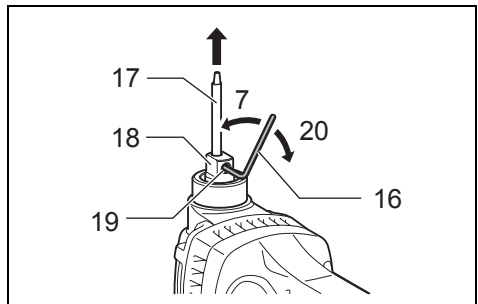
5 013276



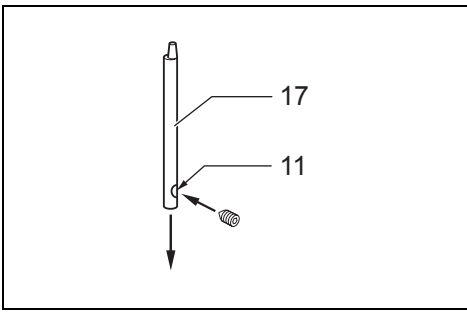
6 013277



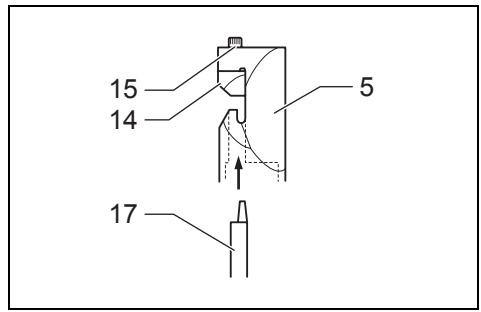
7 004779



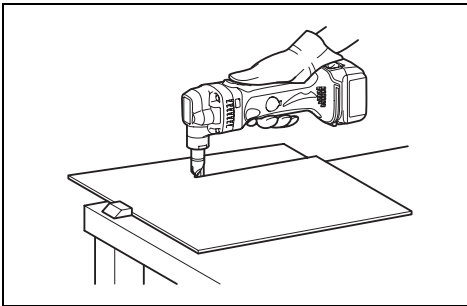
8 013274



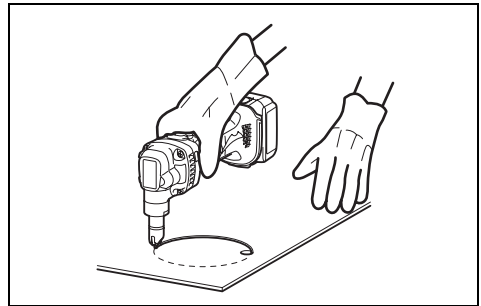
9 004781



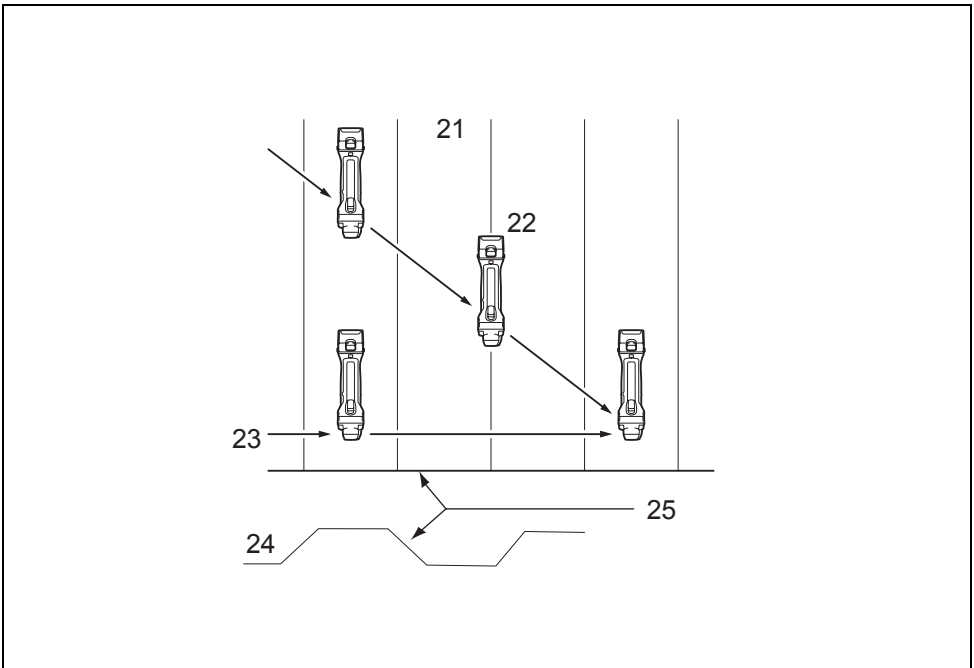
10 004782



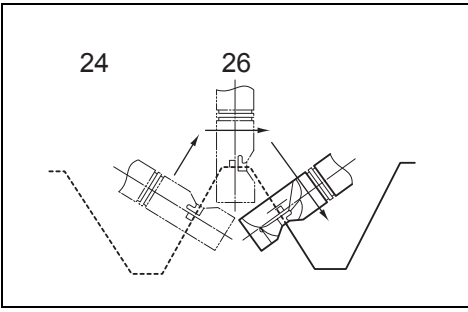
11 013278



12 013279

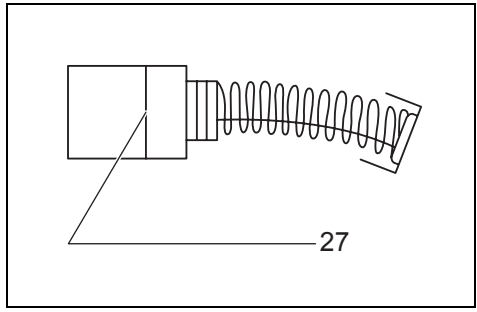


13 013280



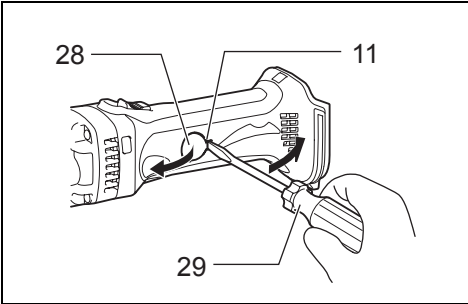
14

004791



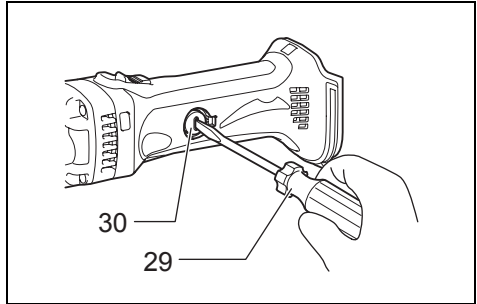
15

001145



16

013281



17

013282

Explanation of general view

1 Button	11 Notch	23 Cutting perpendicular to grooves
2 Red indicator	12 Slide switch	24 From the side view
3 Battery cartridge	13 Indicating lamp	25 Corrugated or trapezoidal sheet metal
4 Star marking	14 Die	26 Cutting head should be at a right angle (90°) to cutting surface.
5 Die holder	15 Bolts	27 Limit mark
6 Lock nut	16 Hex wrench	28 Holder cap cover
7 Loosen	17 Punch	29 Screwdriver
8 Wrench	18 Punch holder	30 Brush holder cap
9 Gauge for cutting stainless: 1.2 mm (3/64")	19 Screw	
10 Gauge for cutting mild steel: 1.6 mm (1/16")	20 Tighten	
	21 From the top view	
	22 Cutting at an angle to grooves	

SPECIFICATIONS

Model		DJN160	DJN161
Max. cutting capacities	Steel up to 400 N/mm ²	1.6 mm/16 ga	1.6 mm/16 ga
	Steel up to 600 N/mm ²	1.2 mm/18 ga	1.2 mm/18 ga
	Aluminum up to 200 N/mm ²	2.5 mm/12 ga	2.5 mm/12 ga
Min. cutting radius	Outside edge	50 mm	50 mm
	Inside edge	45 mm	45 mm
Strokes per minute (min ⁻¹)		1,900	1,900
Overall length		313 mm	313 mm
Net weight		2.1 kg	2.2 kg
Rated voltage		D.C. 14.4 V	D.C. 18 V

GEB028-2

- Due to our continuing program of research and development, the specifications herein are subject to change without notice.
- Specifications and battery cartridge may differ from country to country.
- Weight, with battery cartridge, according to EPTA-Procedure 01/2003

ENE037-1

Intended use

The tool is intended for cutting sheet steel and stainless sheet steel.

GEA010-1

General Power Tool Safety Warnings

⚠ WARNING Read all safety warnings and all instructions. Failure to follow the warnings and instructions may result in electric shock, fire and/or serious injury.

Save all warnings and instructions for future reference.

NIBBLER SAFETY WARNINGS

1. **Hold the tool firmly.**
2. **Secure the workpiece firmly.**
3. **Keep hands away from moving parts.**
4. **Edges and chips of the workpiece are sharp. Wear gloves. It is also recommended that you put on thickly bottomed shoes to prevent injury.**
5. **Do not put the tool on the chips of the workpiece. Otherwise it can cause damage and trouble on the tool.**
6. **Do not leave the tool running. Operate the tool only when hand-held.**
7. **Always be sure you have a firm footing. Be sure no one is below when using the tool in high locations.**
8. **Do not touch the punch, die or the workpiece immediately after operation; they may be extremely hot and could burn your skin.**
9. **Avoid cutting electrical wires. It can cause serious accident by electric shock.**

SAVE THESE INSTRUCTIONS.

⚠ WARNING:

DO NOT let comfort or familiarity with product (gained from repeated use) replace strict adherence to safety rules for the subject product. **MISUSE** or failure to follow the safety rules stated in this instruction manual may cause serious personal injury.

IMPORTANT SAFETY INSTRUCTIONS

FOR BATTERY CARTRIDGE

1. Before using battery cartridge, read all instructions and cautionary markings on (1) battery charger, (2) battery, and (3) product using battery.
2. Do not disassemble battery cartridge.
3. If operating time has become excessively shorter, stop operating immediately. It may result in a risk of overheating, possible burns and even an explosion.
4. If electrolyte gets into your eyes, rinse them out with clear water and seek medical attention right away. It may result in loss of your eyesight.
5. Do not short the battery cartridge:
 - (1) Do not touch the terminals with any conductive material.
 - (2) Avoid storing battery cartridge in a container with other metal objects such as nails, coins, etc.
 - (3) Do not expose battery cartridge to water or rain.

A battery short can cause a large current flow, overheating, possible burns and even a breakdown.

6. Do not store the tool and battery cartridge in locations where the temperature may reach or exceed 50°C (122°F).
7. Do not incinerate the battery cartridge even if it is severely damaged or is completely worn out. The battery cartridge can explode in a fire.
8. Be careful not to drop or strike battery.
9. Do not use a damaged battery.
10. Follow your local regulations relating to disposal of battery.

SAVE THESE INSTRUCTIONS.

Tips for maintaining maximum battery life

1. Charge the battery cartridge before completely discharged.
Always stop tool operation and charge the battery cartridge when you notice less tool power.
2. Never recharge a fully charged battery cartridge. Overcharging shortens the battery service life.
3. Charge the battery cartridge with room temperature at 10°C – 40°C (50°F – 104°F). Let a hot battery cartridge cool down before charging it.
4. Charge the battery cartridge once in every six months if you do not use it for a long period of time.

FUNCTIONAL DESCRIPTION

⚠ CAUTION:

- Always be sure that the tool is switched off and the battery cartridge is removed before adjusting or checking function on the tool.

Installing or removing battery cartridge (Fig. 1)

⚠ CAUTION:

- Always switch off the tool before installing or removing of the battery cartridge.
- **Hold the tool and the battery cartridge firmly when installing or removing battery cartridge.** Failure to hold the tool and the battery cartridge firmly may cause them to slip off your hands and result in damage to the tool and battery cartridge and a personal injury.

To remove the battery cartridge, slide it from the tool while sliding the button on the front of the cartridge.

To install the battery cartridge, align the tongue on the battery cartridge with the groove in the housing and slip it into place. Insert it all the way until it locks in place with a little click. If you can see the red indicator on the upper side of the button, it is not locked completely.

⚠ CAUTION:

- Always install the battery cartridge fully until the red indicator cannot be seen. If not, it may accidentally fall out of the tool, causing injury to you or someone around you.
- Do not install the battery cartridge forcibly. If the cartridge does not slide in easily, it is not being inserted correctly.

Battery protection system (Fig. 2)

The tool is equipped with a battery protection system. This system automatically cuts off power to the motor to extend battery life.

The tool will automatically stop during operation if the tool and/or battery are placed under one of the following conditions:

- **Overloaded:**
The tool is operated in a manner that causes it to draw an abnormally high current.
In this situation, turn the tool off and stop the application that caused the tool to become overloaded. Then turn the tool on to restart.
If the tool does not start, the battery is overheated. In this situation, let the battery cool before turning the tool on again.

- **Low battery voltage:**
The remaining battery capacity is too low and the tool will not operate. In this situation, remove and recharge the battery.

NOTE:

- The overheat protection works only with a battery cartridge with a star mark.

Changing the die position (Fig. 3)

The die holder position can be changed 360°. To change it, proceed as follows.

1. Loosen the lock nut with the wrench provided.
2. Pull the die holder slightly and turn it to the desired position for operation.
3. Tighten the lock nut to secure the die holder in the desired position.

There are four positive stops at 90° each: 0°, 90° left and right and 180°. To position the die to any of these positive stops:

4. Loosen the lock nut with the wrench provided.
5. Pull the die holder slightly and depress lightly while turning it to the desired position. The die holder will lock into one of the positive stop positions as desired.
6. Turn the die holder slightly to make sure that it is positively locked into position.
7. Tighten the lock nut to secure the die holder.

Permissible cutting thickness (Fig. 4)

The thickness of material to be cut depends upon the tensile strength of the material itself. The groove on the die holder acts as a thickness gauge for allowable cutting thickness. Do not attempt to cut any material which will not fit into this groove.

Cutting line

The notch in the die holder indicates your cutting line. Its width is equal to the cutting width. Align the notch to the cutting line on the workpiece when cutting.

Switch action (Fig. 5)

CAUTION:

- Before inserting the battery cartridge into the tool, always check to see that the slide switch actuates properly and returns to the "OFF" position when the rear of the slide switch is depressed.
- Switch can be locked in "ON" position for ease of operator comfort during extended use. Apply caution when locking tool in "ON" position and maintain firm grasp on tool.

To start the tool, slide the slide switch toward the "I (ON)" position. For continuous operation, press the front of the slide switch to lock it.

To stop the tool, press the rear of the slide switch, then slide it toward the "O (OFF)" position.

Indication lamp with multi function (Fig. 6)

Indication lamps are located in two positions.

- Battery cartridge replacing signal

- When the battery power is almost used up during operation, the red lamp lights up and the tool stops immediately. Replace the battery with fully charged one when the red lamp lights up.

- Accidental re-start preventive function

- Even if the battery cartridge is inserted on the tool with the slide switch in the "I (ON)" position, the tool does not start. At this time, the lamp flickers slowly and this shows that the accidental re-start preventive function is at work.
- To start the tool, first slide the slide switch toward the "O (OFF)" position and then slide it toward the "I (ON)" position.

ASSEMBLY

CAUTION:

- Always be sure that the tool is switched off and the battery cartridge is removed before carrying out any work on the tool.

Removing or installing the punch and die (Fig. 7, 8, 9 & 10)

Always replace the punch and die as a set. To remove the punch and die, loosen the lock nut with the wrench. Remove the die holder from the tool. Use the hex wrench to loosen the bolts which secure the die. Remove the die from the die holder.

Use the hex wrench to loosen the screw which secures the punch. Pull the punch out of the punch holder.

To install the punch and die, insert the punch into the punch holder so that the notch in the punch faces toward the screw. Tighten the screw to secure the punch. Install the die on the die holder. Tighten the bolts to secure the die.

Then install the die holder on the tool so that the punch is inserted through the hole in the die holder. Tighten the lock nut to secure the die holder. After replacing the punch and die, lubricate them with machine oil and run the tool for a while.

OPERATION

Pre-lubrication

Coat the cutting line with machine oil to increase the punch and die service life. This is particularly important when cutting aluminum.

Cutting method (Fig. 11)

Hold the tool so that the cutting head is at a right angle (90°) to the workpiece being cut. Move the tool gently in the cutting direction.

Cutouts (Fig. 12)

Cutouts can be done by first opening a round hole over 21 mm in diameter which the cutting head can be inserted into.

Cutting the corrugated or trapezoidal sheet metals (Fig. 13 & 14)

Set the die position so that the die faces the cutting direction either when cutting at an angle or perpendicular to grooves in corrugated or trapezoidal sheet metals.

Always hold the tool body parallel to the grooves with the cutting head at a right angle (90°) to the cutting surface as shown in the figure.

MAINTENANCE

CAUTION:

- Always be sure that the tool is switched off and the battery cartridge is removed before attempting to perform inspection or maintenance.
- Never use gasoline, benzine, thinner, alcohol or the like. Discoloration, deformation or cracks may result.

Replacing carbon brushes (Fig. 15, 16 & 17)

Remove and check the carbon brushes regularly. Replace when they wear down to the limit mark. Keep the carbon brushes clean and free to slip in the holders. Both carbon brushes should be replaced at the same time. Use only identical carbon brushes.

Insert the top end of slotted bit screwdriver into the notch in the tool and remove the holder cap cover by lifting it up.

Use a screwdriver to remove the brush holder caps. Take out the worn carbon brushes, insert the new ones and secure the brush holder caps.

Reinstall the holder cap cover on the tool.

To maintain product SAFETY and RELIABILITY, repairs, any other maintenance or adjustment should be performed by Makita Authorized Service Centers, always using Makita replacement parts.

OPTIONAL ACCESSORIES

CAUTION:

- These accessories or attachments are recommended for use with your Makita tool specified in this manual. The use of any other accessories or attachments might present a risk of injury to persons. Only use accessory or attachment for its stated purpose.

If you need any assistance for more details regarding these accessories, ask your local Makita Service Center.

- Die
- Punch
- Hex wrench
- Wrench 32
- Makita genuine battery and charger

NOTE:

- Some items in the list may be included in the tool package as standard accessories. They may differ from country to country.

ENG905-1

Noise

The typical A-weighted noise level determined according to EN60745:

Model DJN160

Sound pressure level (L_{pA}): 72 dB(A)

Uncertainty (K): 3 dB(A)

The noise level under working may exceed 80 dB (A).

Model DJN161

Sound pressure level (L_{pA}): 73 dB(A)

Uncertainty (K): 3 dB(A)

The noise level under working may exceed 80 dB (A).

Wear ear protection

ENG900-1

Vibration

The vibration total value (tri-axial vector sum) determined according to EN60745:

Model DJN160

Work mode: cutting sheet metal

Vibration emission (a_h): 7.0 m/s²

Uncertainty (K): 1.5 m/s²

Model DJN161

Work mode: cutting sheet metal

Vibration emission (a_h): 6.5 m/s²

Uncertainty (K): 1.5 m/s²

ENG901-1

- The declared vibration emission value has been measured in accordance with the standard test method and may be used for comparing one tool with another.
- The declared vibration emission value may also be used in a preliminary assessment of exposure.

WARNING:

- The vibration emission during actual use of the power tool can differ from the declared emission value depending on the ways in which the tool is used.
- Be sure to identify safety measures to protect the operator that are based on an estimation of exposure in the actual conditions of use (taking account of all parts of the operating cycle such as the times when the tool is switched off and when it is running idle in addition to the trigger time).

For European countries only

ENH101-16

EC Declaration of Conformity

We Makita Corporation as the responsible manufacturer declare that the following Makita machine(s):

Designation of Machine:

Cordless Nibbler

Model No./ Type: DJN160, DJN161

are of series production and

Conforms to the following European Directives:

2006/42/EC

And are manufactured in accordance with the following standards or standardised documents:

EN60745

The technical documentation is kept by:

Makita International Europe Ltd.

Technical Department,

Michigan Drive, Tongwell,

Milton Keynes, Bucks MK15 8JD, England

26.4.2012



Tomoyasu Kato

Director

Makita Corporation

3-11-8, Sumiyoshi-cho,

Anjo, Aichi, 446-8502, JAPAN

Descriptif

1	Bouton	12	Interrupteur à glissière	24	Vue du côté
2	Indicateur rouge	13	Témoin indicateur	25	Feuille de métal ondulée ou trapézoïdale
3	Batterie	14	Matrice	26	La tête de coupe doit être à angle droit (90°) par rapport à la surface de coupe.
4	Marque étoilée	15	Boulons	27	Repère d'usure
5	Porte-matrice	16	Clé hexagonale	28	Couvercle-capuchon de porte-balais
6	Contre-écrou	17	Poinçon	29	Tournevis
7	Desserrer	18	Porte-poinçon	30	Bouchon du porte-charbon
8	Clé	19	Vis		
9	Jauge pour couper l'acier inoxydable : 1,2 mm (3/64")	20	Serrer		
10	Jauge pour couper l'acier doux : 1,6 mm (1/16")	21	Vue du dessus		
11	Encoche	22	Coupe angulaire aux rainures		
		23	Coupe perpendiculaire aux rainures		

SPÉCIFICATIONS

Modèle		DJN160	DJN161
Capacités max. de coupe	Acier jusqu'à 400 N/mm ²	1,6 mm/16 ga	1,6 mm/16 ga
	Acier jusqu'à 600 N/mm ²	1,2 mm/18 ga	1,2 mm/18 ga
	Aluminium jusqu'à 200 N/mm ²	2,5 mm/12 ga	2,5 mm/12 ga
Rayon min. de coupe	Bord extérieur	50 mm	50 mm
	Bord intérieur	45 mm	45 mm
Nombre de courses par minute (min ⁻¹)		1 900	1 900
Longueur totale		313 mm	313 mm
Poids net		2,1 kg	2,2 kg
Tension nominale		14,4 V CC	18 V CC

- Étant donné l'évolution constante de notre programme de recherche et développement, les spécifications contenues dans ce manuel sont sujettes à modification sans préavis.
- Les spécifications et la batterie peuvent être différentes suivant les pays.
- Poids, avec la batterie, conformément à la procédure EPTA-01/2003

GEB028-2

ENE037-1

Utilisations

L'outil est conçu pour la coupe de la tôle et de la tôle inoxydable.

GEA010-1

Consignes de sécurité générales pour outils électriques

⚠ AVERTISSEMENT Veuillez lire toutes les mises en garde et toutes les instructions. Il y a risque de choc électrique, d'incendie et/ou de blessure grave si les mises en garde et les instructions ne sont pas respectées.

Conservez toutes les mises en garde et instructions pour référence ultérieure.

CONSIGNES DE SÉCURITÉ POUR GRIGNOTEUSE

1. **Saisissez l'outil fermement.**
2. **Fixez la pièce à travailler solidement.**
3. **Maintenez les mains à l'écart des pièces en mouvement.**
4. **Les bords et les copeaux de la pièce à travailler sont coupants. Portez des gants. Il est également recommandé de porter des chaussures à semelle épaisse pour prévenir les blessures.**
5. **Ne déposez pas l'outil sur les copeaux de la pièce à travailler. Sinon, l'outil risque d'être endommagé.**
6. **Ne laissez pas l'outil fonctionner tout seul. Ne le faites fonctionner que lorsque vous l'avez en mains.**
7. **Assurez-vous d'avoir les pieds en position bien stable.**
Assurez-vous que personne ne se trouve sous vous lorsque vous utilisez l'outil dans un endroit élevé.
8. **Ne touchez pas le poinçon, la matrice ou la pièce à travailler immédiatement après l'utilisation de l'outil ; ils peuvent être extrêmement chauds et vous brûler la peau.**

- Prenez garde de couper des fils électriques. Il peut en résulter un grave accident par choc électrique.

CONSERVEZ CES INSTRUCTIONS.

⚠ AVERTISSEMENT :

NE vous laissez PAS tromper (au fil d'une utilisation répétée) par un sentiment d'aisance et de familiarité avec le produit, en négligeant le respect rigoureux des consignes de sécurité qui accompagnent le produit en question. La MAUVAISE UTILISATION de l'outil ou l'ignorance des consignes de sécurité indiquées dans ce manuel d'instructions peut entraîner une blessure grave.

ENC007-8

IMPORTANTES CONSIGNES DE SÉCURITÉ

POUR LA BATTERIE

- Avant d'utiliser la batterie, lisez toutes les instructions et précautions relatives (1) au chargeur de batterie, (2) à la batterie, et (3) à l'outil utilisant la batterie.
- Ne démontez pas la batterie.
- Si le temps de fonctionnement devient très court, cessez immédiatement l'utilisation. Autrement il y a risque de surchauffe, de brûlure, voire d'explosion.
- Si de l'électrolyte pénètre dans vos yeux, rincez-les à l'eau claire et consultez immédiatement un médecin. Autrement il y a risque de blessure aux yeux.
- Ne court-circuitez pas la batterie :
 - Ne touchez les bornes avec aucun matériau conducteur.
 - Évitez de ranger la batterie dans un conteneur avec d'autres objets métalliques, par exemple des clous, des pièces de monnaie, etc.
 - N'exposez pas la batterie à l'eau ou à la pluie.

Un court-circuit de la batterie pourrait provoquer un fort courant, une surchauffe, parfois des brûlures et même une panne.

- Ne rangez pas l'outil ou la batterie dans des endroits où la température risque d'atteindre ou de dépasser 50°C.
- Ne jetez pas la batterie au feu même si elle est sérieusement endommagée ou complètement épuisée. La batterie peut exploser au contact du feu.
- Prenez garde d'échapper ou de heurter la batterie.
- N'utilisez pas une batterie abîmée.
- La batterie doit être éliminée conformément aux réglementations locales en vigueur.

CONSERVEZ CES INSTRUCTIONS.

Conseils pour assurer la durée de vie optimale de la batterie

- Rechargez la batterie avant qu'elle ne soit complètement déchargée. Arrêtez toujours l'outil et rechargez la batterie quand vous remarquez que la puissance de l'outil diminue.

- Ne rechargez jamais une batterie complètement chargée.
La surcharge réduit la durée de service de la batterie.
- Chargez la batterie alors que la température de la pièce se trouve entre 10°C à 40°C. Avant de charger une batterie chaude, laissez-la refroidir.
- Chargez la batterie tous les six mois si elle reste inutilisée pendant une période prolongée.

DESCRIPTION DU FONCTIONNEMENT

⚠ ATTENTION :

- Vérifiez toujours que l'outil est hors tension et que la batterie est retirée avant d'ajuster l'outil ou de vérifier son fonctionnement.

Pose ou retrait de la batterie (Fig. 1)

⚠ ATTENTION :

- Mettez toujours l'outil hors tension avant de poser ou de retirer la batterie.
- Lorsque vous posez ou retirez la batterie, tenez fermement l'outil et la batterie. Si vous ne tenez pas fermement l'outil et la batterie, ils risquent de s'abîmer en vous glissant des mains, et vous courez un risque de blessure corporelle.

Pour retirer la batterie, faites-la glisser hors de l'outil tout en faisant glisser le bouton qui se trouve à l'avant de la batterie.

Pour poser la batterie, alignez sa languette sur la rainure à l'intérieur du carter, et faites-la glisser en place. Insérez-la à fond, jusqu'à ce qu'elle se mette en place avec un léger déclic. Si vous pouvez voir l'indicateur rouge du côté supérieur du bouton, la batterie n'est pas complètement verrouillée.

⚠ ATTENTION :

- Insérez toujours la batterie à fond, jusqu'à ce que l'indicateur rouge ne soit plus visible. Sinon, elle pourrait tomber accidentellement de l'outil, au risque de vous blesser ou de blesser quelqu'un se trouvant près de vous.
- Ne forcez pas pour insérer la batterie. Si elle ne glisse pas facilement, c'est que vous ne l'insérez pas correctement.

Dispositif de protection de la batterie (Fig. 2)

L'outil est doté d'un dispositif de protection de la batterie. Ce dispositif coupe automatiquement l'alimentation de l'outil pour prolonger la durée de service de la batterie.

Si l'outil ou la batterie se trouve dans l'une ou l'autre des situations suivantes, l'outil cessera automatiquement de fonctionner :

- Surchargé :
L'outil est utilisé de manière telle qu'il consomme un courant anormalement élevé.

Il faut mettre l'outil hors tension et arrêter l'application qui cause la surcharge. Remettez ensuite l'outil sous tension pour redémarrer.

Si l'outil ne démarre pas, cela signifie que la batterie est trop chaude. Il faut alors laisser refroidir la batterie avant de remettre l'outil sous tension.

- Faible tension de la batterie :
La charge restante de la batterie étant trop faible, l'outil ne fonctionne pas. Le cas échéant, retirez la batterie et rechargez-la.

NOTE :

- La protection contre la surchauffe ne fonctionne qu'avec une batterie portant une marque en forme d'étoile.

Changement de position de la matrice (Fig. 3)

La position du porte-matrice peut être modifiée de 360°. Pour la modifier, procédez comme suit.

1. Desserrez le contre-écrou à l'aide de la clé fournie.
2. Tirez légèrement sur le porte-matrice et tournez-le jusqu'à la position souhaitée pour l'exécution du travail.
3. Serrez le contre-écrou pour fixer le porte-matrice sur la position souhaitée.
Il y a quatre arrêts fixes, situés à 90° l'un de l'autre : 0°, 90° à gauche et à droite, et 180°. Pour placer la matrice sur un de ces arrêts fixes :
4. Desserrez le contre-écrou à l'aide de la clé fournie.
5. Tirez légèrement sur le porte-matrice et enfoncez-le légèrement tout en le tournant jusqu'à la position souhaitée. Le porte-matrice se verrouillera sur la position d'arrêt fixe souhaitée.
6. Tournez légèrement le porte-matrice pour vous assurer qu'il est bien verrouillé en position.
7. Serrez le contre-écrou pour fixer le porte-matrice.

Épaisseur de coupe admissible (Fig. 4)

L'épaisseur de matériau à couper dépend de la résistance à la traction du matériau lui-même. La rainure du porte-matrice tient lieu de jauge d'épaisseur pour l'épaisseur de coupe admissible. N'essayez pas de couper un matériau qui n'entre pas dans cette rainure.

Ligne de coupe

Le cran du porte-matrice vous indique la ligne de coupe. Sa largeur est égale à la largeur de coupe. Alignez le cran sur la ligne de coupe de la pièce à travailler lorsque vous coupez.

Interrupteur (Fig. 5)

⚠ ATTENTION :

- Avant d'insérer la batterie dans l'outil, vérifiez toujours que l'interrupteur à glissière fonctionne correctement et revient sur la position d'arrêt (OFF) lorsque vous enfoncez l'arrière de l'interrupteur à glissière.
- Vous pouvez verrouiller l'interrupteur sur la position de marche (ON) pour plus de confort en cas d'utilisation prolongée. Soyez prudent lorsque vous verrouillez l'outil sur la position de marche (ON), et gardez une prise ferme sur l'outil.

Pour démarrer l'outil, faites glisser l'interrupteur à glissière sur la position "I (ON)". Pour un fonctionnement continu, appuyez sur l'avant de l'interrupteur à glissière pour le verrouiller.

Pour arrêter l'outil, appuyez sur l'arrière de l'interrupteur à glissière, puis faites-le glisser vers la position "O (OFF)".

Témoin indicateur à fonctions multiples (Fig. 6)

Les témoins indicateurs sont situés en deux positions.

- Signal de remplacement de la batterie

- Si la batterie s'épuise presque complètement pendant l'exécution du travail, le témoin rouge s'allumera et l'outil s'arrêtera aussitôt. Lorsque le témoin rouge s'allume, remplacez la batterie par une autre complètement chargée.

- Fonction de prévention du redémarrage accidentel

- L'outil ne démarrera pas même si la batterie y est insérée alors que l'interrupteur à glissière se trouve sur la position "I (ON)". Le témoin clignotera alors lentement pour indiquer que la fonction de prévention du redémarrage accidentelle s'est activée.
- Pour faire démarrer l'outil, glissez d'abord l'interrupteur à glissière vers la position "O (OFF)", puis vers la position "I (ON)".

ASSEMBLAGE

⚠ ATTENTION :

- Assurez-vous toujours que l'outil est hors tension et que sa batterie est retirée avant d'effectuer tout travail dessus.

Retrait ou pose du poinçon et de la matrice (Fig. 7, 8, 9 et 10)

Remplacez toujours le poinçon et la matrice en même temps. Pour retirer le poinçon et la matrice, desserrez le contre-écrou à l'aide de la clé. Retirez le porte-matrice de l'outil. Utilisez la clé hexagonale pour desserrer les boulons qui retiennent la matrice. Retirez la matrice du porte-matrice.

Utilisez la clé hexagonale pour desserrer la vis qui retient le poinçon. Tirez sur le poinçon pour le retirer du porte-poinçon.

Pour poser le poinçon et la matrice, insérez le poinçon dans le porte-poinçon avec le cran du poinçon orienté vers la vis. Serrez la vis pour fixer le poinçon. Posez la matrice sur le porte-matrice. Serrez les boulons pour fixer la matrice.

Posez ensuite le porte-matrice sur l'outil, de sorte que le poinçon soit inséré dans l'orifice du porte-matrice. Serrez le contre-écrou pour fixer le porte-matrice. Après le remplacement du poinçon et de la matrice, lubrifiez-les avec de l'huile à machine et faites tourner l'outil un moment.

UTILISATION

Prélubrification

Recouvrez la ligne de coupe d'huile à machine pour prolonger la durée de service du poinçon et de la matrice. Cela est tout particulièrement important lorsque vous coupez de l'aluminium.

Méthode de coupe (Fig. 11)

Saisissez l'outil de sorte que la tête de coupe soit à angle droit (90°) par rapport à la pièce à couper. Déplacez l'outil doucement dans le sens de la coupe.

Découpes (Fig. 12)

Les découpes peuvent être effectuées en perçant d'abord un trou rond de plus de 21 mm de diamètre qui permettra d'insérer la tête de coupe.

Coupe des feuilles de métal ondulées ou trapézoïdales (Fig. 13 et 14)

Placez la matrice de sorte qu'elle soit face au sens de la coupe lorsque vous coupez sur un angle ou perpendiculairement aux rainures dans des feuilles de métal ondulées ou trapézoïdales.

Maintenez toujours le corps de l'outil parallèle aux rainures et avec la tête de coupe à angle droit (90°) par rapport à la surface de coupe, tel qu'illustré sur la figure.

ENTRETIEN

ENG905-1

ATTENTION :

- Assurez-vous toujours que l'outil est hors tension et la batterie retirée avant d'effectuer tout travail d'inspection ou d'entretien.
- N'utilisez jamais d'essence, benzine, diluant, alcool ou autre produit similaire. Cela risquerait de provoquer la décoloration, la déformation ou la fissuration de l'outil.

Remplacement des charbons (Fig. 15, 16 et 17)

Retirez et vérifiez régulièrement les charbons. Remplacez-les lorsqu'ils sont usés jusqu'au repère d'usure. Maintenez les charbons propres et en état de glisser aisément dans les porte-charbon. Les deux charbons doivent être remplacés en même temps. N'utilisez que des charbons identiques.

Insérez la pointe d'un tournevis à pointe plate dans le cran de l'outil, et soulevez le couvercle-capuchon de porte-balais pour le retirer.

Retirez les bouchons de porte-charbon à l'aide d'un tournevis. Enlevez les charbons usés, insérez les charbons neufs et revissez solidement les bouchons de porte-charbon.

Remettez en place le couvercle-capuchon de porte-balais sur l'outil.

Pour maintenir la SÉCURITÉ et la FIABILITÉ du produit, les réparations, travaux d'entretien et autres réglages doivent être effectués dans un centre de service Makita agréé, exclusivement avec des pièces de rechange Makita.

ACCESSOIRES EN OPTION

ATTENTION :

- Ces accessoires ou pièces complémentaires sont recommandés pour l'utilisation avec l'outil Makita spécifié dans ce mode d'emploi. L'utilisation de tout autre accessoire ou pièce complémentaire peut comporter un risque de blessure. N'utilisez les accessoires ou pièces qu'aux fins auxquelles ils ont été conçus.

Si vous désirez obtenir plus de détails concernant ces accessoires, veuillez contacter le centre de service après-vente Makita le plus près.

- Matrice
- Poinçon
- Clé hexagonale
- Clé 32
- Batterie et chargeur Makita authentiques

NOTE :

- Il se peut que certains éléments de la liste soient compris dans l'emballage de l'outil en tant qu'accessoires standard. Ils peuvent varier d'un pays à l'autre.

Bruit

Niveau de bruit pondéré A typique, déterminé selon EN60745 :

Modèle DJN160

Niveau de pression sonore (L_{pA}) : 72 dB(A)

Incertitude (K) : 3 dB(A)

Le niveau de bruit en fonctionnement peut dépasser 80 dB (A).

Modèle DJN161

Niveau de pression sonore (L_{pA}) : 73 dB(A)

Incertitude (K) : 3 dB(A)

Le niveau de bruit en fonctionnement peut dépasser 80 dB (A).

Porter des protecteurs anti-bruit

ENG900-1

Vibrations

Valeur totale de vibrations (somme de vecteur triaxial) déterminée selon EN60745 :

Modèle DJN160

Mode de travail : découpe de tôle

Émission de vibrations (a_{h1}) : 7,0 m/s²

Incertitude (K) : 1,5 m/s²

Modèle DJN161

Mode de travail : découpe de tôle

Émission de vibrations (a_{h1}) : 6,5 m/s²

Incertitude (K) : 1,5 m/s²

ENG901-1

- La valeur d'émission de vibrations déclarée a été mesurée conformément à la méthode de test standard et peut être utilisée pour comparer les outils entre eux.
- La valeur d'émission de vibrations déclarée peut aussi être utilisée pour l'évaluation préliminaire de l'exposition.

AVERTISSEMENT :

- L'émission de vibrations lors de l'usage réel de l'outil électrique peut être différente de la valeur d'émission déclarée, suivant la façon dont l'outil est utilisé.
- Les mesures de sécurité à prendre pour protéger l'utilisateur doivent être basées sur une estimation de l'exposition dans des conditions réelles d'utilisation (en tenant compte de toutes les composantes du cycle d'utilisation, comme par exemple le moment de sa mise hors tension, lorsqu'il tourne à vide et le moment de son déclenchement).

Pour les pays d'Europe uniquement

Déclaration de conformité CE

Makita Corporation, en tant que fabricant responsable, déclare que la ou les machine(s) Makita suivante(s) :

Désignation de la machine :

Grignoteuse Sans Fil

N° de modèle / Type : DJN160, DJN161

sont produites en série et

sont conformes aux directives européennes suivantes :

2006/42/CE

et qu'elles sont fabriquées conformément aux normes ou documents normalisés suivants :

EN60745

La documentation technique est conservée par :

Makita International Europe Ltd.

Service technique,

Michigan Drive, Tongwell,

Milton Keynes, Bucks MK15 8JD, Angleterre

26.4.2012



Tomoyasu Kato

Directeur

Makita Corporation

3-11-8, Sumiyoshi-cho,

Anjo, Aichi, 446-8502, JAPAN

Übersicht

- | | | |
|---|----------------------------------|---|
| 1 Knopf | 11 Kerbe | 23 Schneiden senkrecht zu den Nuten |
| 2 Rote Anzeige | 12 Schiebeschalter | 24 Seitenansicht |
| 3 Akku | 13 Anzeigelampe | 25 Wellblech oder Trapezblech |
| 4 Sternsymbol | 14 Matrize | 26 Der Schneidkopf muss im rechten Winkel (90°) zur Schnittfläche stehen. |
| 5 Matrizenhalter | 15 Schrauben | 27 Verschleißgrenze |
| 6 Sicherungsmutter | 16 Inbusschlüssel | 28 Halterkappenabdeckung |
| 7 Lösen | 17 Stempel | 29 Schraubendreher |
| 8 Schraubenschlüssel | 18 Stempelhalter | 30 Bürstenhalterkappe |
| 9 Messnut zum Schneiden von Edelstahl: 1,2 mm (3/64") | 19 Schraube | |
| 10 Messnut zum Schneiden von Weichstahl: 1,6 mm (1/16") | 20 Anziehen | |
| | 21 Draufsicht | |
| | 22 Schneiden schräg zu den Nuten | |

TECHNISCHE DATEN

Modell		DJN160	DJN161
Max. Schnittleistung	Stahl bis zu 400 N/mm ²	1,6 mm/16 ga	1,6 mm/16 ga
	Stahl bis zu 600 N/mm ²	1,2 mm/18 ga	1,2 mm/18 ga
	Aluminium bis zu 200 N/mm ²	2,5 mm/12 ga	2,5 mm/12 ga
Min. Schnittradius	Außenkante	50 mm	50 mm
	Innenkante	45 mm	45 mm
Hubzahl pro Minute (min ⁻¹)		1 900	1 900
Gesamtlänge		313 mm	313 mm
Nettogewicht		2,1 kg	2,2 kg
Nennspannung		DC 14,4 V	DC 18 V

- Aufgrund unseres Dauerprogramms der Forschung und Entwicklung unterliegen die hier angegebenen technischen Daten Änderung ohne Vorankündigung.
- Die technischen Daten und der Akku können von Land zu Land unterschiedlich sein.
- Gewicht mit Akku nach EPTA-Verfahren 01/2003

ENE037-1

Vorgesehene Verwendung

Die Maschine ist zum Schneiden von Stahlblech und Edelstahlblech vorgesehen.

GEA010-1

Allgemeine Sicherheitswarnungen für Elektrowerkzeuge

⚠️ WARNUNG Lesen Sie alle Sicherheitswarnungen und Anweisungen durch. Eine Missachtung der unten aufgeführten Warnungen und Anweisungen kann zu einem elektrischen Schlag, Brand und/oder schweren Verletzungen führen.

Bewahren Sie alle Warnungen und Anweisungen für spätere Bezugnahme auf.

GE028-2

SICHERHEITSWARNUNGEN FÜR KNABBER

1. Halten Sie das Werkzeug mit festem Griff.
2. Sichern Sie das Werkstück einwandfrei.
3. Halten Sie die Hände von rotierenden Teilen fern.

4. Die Kanten und Späne des Werkstücks sind scharf. Tragen Sie Handschuhe. Zur Verhütung von Verletzungen ist es auch empfehlenswert, dick besohlte Schuhe zu tragen.
5. Legen Sie das Werkzeug nicht auf die Späne des Werkstücks. Anderenfalls kann es zu Beschädigung und Funktionsstörungen des Werkzeugs kommen.
6. Lassen Sie das Werkzeug nicht unbeaufsichtigt laufen. Benutzen Sie das Werkzeug nur mit Handhaltung.
7. Achten Sie stets auf sicheren Stand. Vergewissern Sie sich bei Einsatz des Werkzeugs an hochgelegenen Arbeitsplätzen, dass sich keine Personen darunter aufhalten.
8. Vermeiden Sie eine Berührung des Kerbstifts, der Matrize oder des Werkstücks unmittelbar nach der Bearbeitung, weil die Teile noch sehr heiß sind und Hautverbrennungen verursachen können.
9. Vermeiden Sie das Durchtrennen von elektrischen Kabeln. Dies kann zu schweren Unfällen durch elektrischen Schlag führen.

BEWAHREN SIE DIESE HINWEISE SORGFÄLTIG AUF.

WARNUNG:

Lassen Sie sich **NICHT** durch Bequemlichkeit oder Vertrautheit mit dem Produkt (durch wiederholten Gebrauch erworben) von der strikten Einhaltung der Sicherheitsregeln für das vorliegende Produkt abhalten. **MISSBRAUCH** oder Missachtung der Sicherheitsvorschriften in dieser Anleitung können schwere Verletzungen verursachen.

ENC007-8

WICHTIGE SICHERHEITSVORSCHRIFTEN

FÜR AKKU

1. Lesen Sie vor der Benutzung des Akkus alle Anweisungen und Warnhinweise, die an (1) Ladegerät, (2) Akku und (3) Akkuwerkzeug angebracht sind.
2. Unterlassen Sie ein Zerlegen des Akkus.
3. Falls die Betriebszeit beträchtlich kürzer geworden ist, stellen Sie den Betrieb sofort ein. Anderenfalls besteht die Gefahr von Überhitzung, möglichen Verbrennungen und sogar einer Explosion.
4. Falls Elektrolyt in Ihre Augen gelangt, waschen Sie sie mit sauberem Wasser aus, und begeben Sie sich unverzüglich in ärztliche Behandlung. Anderenfalls können Sie Ihre Sehkraft verlieren.
5. Der Akku darf nicht kurzgeschlossen werden:
 - (1) Die Kontakte dürfen nicht mit leitfähigem Material berührt werden.
 - (2) Lagern Sie den Akku nicht in einem Behälter zusammen mit anderen Metallgegenständen, wie z.B. Nägel, Münzen usw.
 - (3) Setzen Sie den Akku weder Wasser noch Regen aus.

Ein Kurzschluss des Akkus verursacht starken Stromfluss, der Überhitzung, Verbrennungen und einen Defekt zur Folge haben kann.

6. Lagern Sie Maschine und Akku nicht an Orten, an denen die Temperatur 50°C erreichen oder überschreiten kann.
7. Versuchen Sie niemals, den Akku zu verbrennen, selbst wenn er stark beschädigt oder vollkommen verbraucht ist. Der Akku kann im Feuer explodieren.
8. Achten Sie darauf, dass der Akku nicht fallen gelassen oder Stößen ausgesetzt wird.
9. Benutzen Sie keine beschädigten Akkus.
10. Befolgen Sie die örtlichen Bestimmungen bezüglich der Entsorgung von Akkus.

BEWAHREN SIE DIESE HINWEISE SORGFÄLTIG AUF.

Hinweise zur Aufrechterhaltung der maximalen Akku-Nutzungsdauer

1. Laden Sie den Akku, bevor er vollkommen erschöpft ist. Schalten Sie die Maschine stets aus, und laden Sie den Akku, wenn Sie ein Nachlassen der Maschinenleistung feststellen.
2. Unterlassen Sie das erneute Laden eines voll aufgeladenen Akkus. Überladen führt zu einer Verkürzung der Nutzungsdauer des Akkus.

3. Laden Sie den Akku bei Raumtemperatur zwischen 10°C – 40°C. Lassen Sie einen heißen Akku abkühlen, bevor Sie ihn laden.
4. Laden Sie den Akku bei längerer Nichtbenutzung alle sechs Monate nach.

FUNKTIONSBESCHREIBUNG

VORSICHT:

- Vergewissern Sie sich vor der Durchführung von Einstellungen oder Funktionsprüfungen der Maschine stets, dass die Maschine ausgeschaltet und der Akku abgenommen ist.

Anbringen und Abnehmen des Akkus (Abb. 1)

VORSICHT:

- Schalten Sie stets die Maschine aus, bevor Sie den Akku anbringen oder abnehmen.
- **Halten Sie Maschine und Akku beim Anbringen oder Abnehmen des Akkus sicher fest.** Wenn Sie Maschine und Akku nicht sicher festhalten, können sie Ihnen aus der Hand rutschen, was zu einer Beschädigung der Maschine und des Akkus und zu Körperverletzungen führen kann.

Ziehen Sie den Akku zum Abnehmen von der Maschine ab, während Sie den Knopf an der Vorderseite des Akkus verschieben.

Richten Sie zum Anbringen des Akkus dessen Führungsfeder auf die Nut im Gehäuse aus, und schieben Sie den Akku hinein. Schieben Sie ihn vollständig ein, bis er mit einem hörbaren Klicken einrastet. Falls die rote Anzeige an der Oberseite des Knopfes sichtbar ist, ist der Akku-Adapter nicht vollständig verriegelt.

VORSICHT:

- Schieben Sie den Akku stets bis zum Anschlag ein, bis die rote Anzeige nicht mehr sichtbar ist. Anderenfalls kann er aus der Maschine herausfallen und Sie oder umstehende Personen verletzen.
- Unterlassen Sie Gewaltanwendung beim Anbringen des Akkus. Falls der Akku nicht reibungslos hineingleitet, ist er nicht richtig ausgerichtet.

Akku-Schutzsystem (Abb. 2)

Die Maschine ist mit einem Akku-Schutzsystem ausgestattet. Dieses System schaltet die Stromversorgung des Motors automatisch ab, um die Akku-Lebensdauer zu verlängern.

Die Maschine schaltet sich während des Betriebs automatisch ab, wenn Maschine und/oder Akku einer der folgenden Bedingungen unterliegen:

- Überlastung:

Die Maschine wird auf eine Weise benutzt, die eine ungewöhnlich hohe Stromaufnahme bewirkt. Schalten Sie in dieser Situation die Maschine aus, und brechen Sie die Anwendung ab, die eine Überlastung der Maschine verursacht hat. Schalten Sie dann die Maschine wieder ein, um sie neu zu starten. Falls die Maschine nicht startet, ist der Akku überhitzt. Lassen Sie den Akku in dieser Situation abkühlen, bevor Sie die Maschine wieder einschalten.
- Niedrige Akkuspannung:

Die Akku-Restkapazität ist zu niedrig, und die Maschine funktioniert nicht. Nehmen Sie in dieser Situation den Akku ab, und laden Sie ihn auf.

HINWEIS:

- Der Überhitzungsschutz funktioniert nur mit einem Akku mit Sternsymbol.

Ändern der Matrizenposition (Abb. 3)

Die Matrizenhalterposition kann innerhalb von 360° geändert werden. Gehen Sie dazu folgendermaßen vor.

1. Die Sicherungsmutter mit dem mitgelieferten Schraubenschlüssel lösen.
2. Den Matrizenhalter leicht ziehen und auf die gewünschte Arbeitsposition drehen.
3. Die Sicherungsmutter anziehen, um den Matrizenhalter in der gewünschten Position zu arretieren.

Vier um jeweils 90° versetzte Rastpositionen sind vorhanden: 0°, 90° links und rechts sowie 180°. Um die Matrize auf eine dieser Rastpositionen zu stellen:

4. Die Sicherungsmutter mit dem mitgelieferten Schraubenschlüssel lösen.
5. Den Matrizenhalter leicht ziehen, und dann leicht drücken, während er auf die gewünschte Position gedreht wird. Der Matrizenhalter rastet wunschgemäß in eine der Rastpositionen ein.
6. Den Matrizenhalter geringfügig drehen, um sicherzugehen, dass er einwandfrei eingerastet ist.
7. Die Sicherungsmutter anziehen, um den Matrizenhalter zu arretieren.

Zulässige Schnittdicke (Abb. 4)

Die Dicke des zu schneidenden Materials hängt von der Zugfestigkeit des Materials selbst ab. Die Nut am Matrizenhalter dient als Dickenlehre für die zulässige Schnittdicke. Versuchen Sie nicht, Material zu schneiden, das nicht in diese Nut passt.

Schnittlinie

Die Kerbe im Matrizenhalter kennzeichnet Ihre Schnittlinie. Ihre Breite entspricht der Schnittbreite. Die Kerbe beim Schneiden auf die Schnittlinie am Werkstück ausrichten.

Schalterfunktion (Abb. 5)

⚠ VORSICHT:

- Vergewissern Sie sich vor dem Einsetzen des Akkus in die Maschine stets, dass der Schiebeschalter ordnungsgemäß funktioniert und beim Drücken der Rückseite in die „AUS“ Stellung zurückkehrt.
- Der Schalter kann zur Arbeitserleichterung bei längerem Einsatz in der „EIN“ Stellung verriegelt werden. Lassen Sie Vorsicht walten, wenn Sie den Schalter in der „EIN“ Stellung verriegeln, und halten Sie die Maschine mit festem Griff.

Zum Einschalten der Maschine den Schiebeschalter auf die Position „I (EIN)“ schieben. Für Dauerbetrieb rasten Sie den Schalter durch Drücken seiner Vorderseite ein. Zum Ausschalten des Werkzeugs die Rückseite des Schiebeschalters drücken, und dann den Schalter auf die Stellung „O (AUS)“ schieben.

Anzeigelampe mit Multifunktion (Abb. 6)

Anzeigelampen befinden sich an zwei Positionen.

- Akku-Austauschsignal

- Wenn der Akku während des Betriebs nahezu erschöpft ist, leuchtet die rote Lampe auf, und die Maschine bleibt sofort stehen. Tauschen Sie den Akku gegen einen voll aufgeladenen aus, wenn die rote Lampe aufleuchtet.

- Neustart-Verhütungsfunktion

- Selbst wenn der Akku in die Maschine eingesetzt wird, während der Schiebeschalter auf der Position „I (EIN)“ steht, läuft die Maschine nicht an. In diesem Fall blinkt die Lampe langsam, wodurch angezeigt wird, dass die Neustart-Verhütungsfunktion aktiv ist.
- Um die Maschine zu starten, schieben Sie den Schiebeschalter zuerst auf die Position „O (AUS)“, und dann auf die Position „I (EIN)“.

MONTAGE

⚠ VORSICHT:

- Vergewissern Sie sich vor der Ausführung von Arbeiten an der Maschine stets, dass die Maschine ausgeschaltet und der Akku abgenommen ist.

Abnehmen oder Anbringen von Stempel und Matrize (Abb. 7, 8, 9 u. 10)

Stempel und Matrize sind stets als Satz auszutauschen. Zum Entfernen von Stempel und Matrize die Sicherungsmutter mit dem Schraubenschlüssel lösen. Den Matrizenhalter von der Maschine abnehmen. Die Befestigungsschrauben der Matrize mit dem Inbusschlüssel lösen. Die Matrize vom Matrizenhalter abnehmen.

Die Befestigungsschraube des Stempels mit dem Inbusschlüssel lösen. Den Stempel aus dem Stempelhalter herausziehen.

Um Stempel und Matrize anzubringen, den Stempel in den Stempelhalter einführen, so dass die Kerbe im Stempel zur Schraube zeigt. Die Schraube zum Sichern des Stempels anziehen. Die Matrize am Matrizenhalter anbringen. Die Schrauben zum Sichern der Matrize anziehen.

Dann den Matrizenhalter an der Maschine anbringen, so dass der Stempel durch die Öffnung im Matrizenhalter eingeführt wird. Die Sicherungsmutter anziehen, um den Matrizenhalter zu arretieren. Nach dem Austauschen von Stempel und Matrize die Teile mit Maschinenöl schmieren, und die Maschine eine Zeitlang laufen lassen.

BETRIEB

Vorschmierung

Tragen Sie Maschinenöl auf die Schnittlinie auf, um die Standzeit von Stempel und Matrize zu verlängern. Dies ist besonders wichtig beim Schneiden von Aluminium.

Schneidmethode (Abb. 11)

Halten Sie die Maschine so, dass sich der Schneidkopf im rechten Winkel (90°) zu dem zu schneidenden Werkstück befindet. Schieben Sie die Maschine sachte in Schneidrichtung vor.

Ausschnitte (Abb. 12)

Ausschnitte können durchgeführt werden, indem zuerst ein Rundloch von über 21 mm Durchmesser geöffnet wird, in das der Schneidkopf eingeführt werden kann.

Schneiden von Wellblech und Trapezblech (Abb. 13 u. 14)

Stellen Sie die Matrizenposition so ein, dass die Matrize in Schnittrichtung zeigt, entweder wenn schräg oder senkrecht zu Nuten in Wellblech oder Trapezblech geschnitten wird.

Halten Sie das Maschinengehäuse stets parallel zu den Nuten mit dem Schneidkopf im rechten Winkel (90°) zur Schnittfläche, wie in der Abbildung gezeigt.

WARTUNG

VORSICHT:

- Vergewissern Sie sich vor der Durchführung von Inspektions- oder Wartungsarbeiten stets, dass die Maschine ausgeschaltet und der Akku abgenommen ist.
- Verwenden Sie auf keinen Fall Benzin, Benzol, Verdünner, Alkohol oder dergleichen. Solche Mittel können Verfärbung, Verformung oder Rissbildung verursachen.

Auswechseln der Kohlebürsten (Abb. 15, 16 u. 17)

Die Kohlebürsten müssen regelmäßig entfernt und überprüft werden. Wenn sie bis zur Verschleißgrenze abgenutzt sind, müssen sie erneuert werden. Halten Sie die Kohlebürsten stets sauber, damit sie ungehindert in den Haltern gleiten können. Beide Kohlebürsten sollten gleichzeitig erneuert werden. Verwenden Sie nur identische Kohlebürsten.

Führen Sie die Spitze eines Schlitzschraubenziehers in die Kerbe der Maschine ein, und entfernen Sie die Halterkappenabdeckung durch Anheben.

Die Bürstenhalterkappen mit einem Schraubendreher herausdrehen. Die abgenutzten Kohlebürsten herausnehmen, die neuen einsetzen, und dann die Bürstenhalterkappen wieder eindrehen.

Bringen Sie die Halterkappenabdeckung wieder an der Maschine an.

Um die SICHERHEIT und ZUVERLÄSSIGKEIT dieses Produkts zu gewährleisten, sollten Reparaturen und andere Wartungs- oder Einstellarbeiten nur von Makita-Kundendienstzentren unter ausschließlicher Verwendung von Makita-Originalersatzteilen ausgeführt werden.

SONDERZUBEHÖR

VORSICHT:

- Die folgenden Zubehörteile oder Vorrichtungen werden für den Einsatz mit der in dieser Anleitung beschriebenen Makita-Maschine empfohlen. Die Verwendung anderer Zubehörteile oder Vorrichtungen kann eine Verletzungsgefahr darstellen. Verwenden Sie Zubehörteile oder Vorrichtungen nur für ihren vorgesehenen Zweck.

Wenn Sie weitere Einzelheiten bezüglich dieser Zubehörteile benötigen, wenden Sie sich bitte an Ihre Makita-Kundendienststelle.

- Matrice
- Stempel
- Inbusschlüssel
- Schraubenschlüssel 32
- Original-Makita-Akku und -Ladegerät

HINWEIS:

- Manche Teile in der Liste können als Standardzubehör im Werkzeugsatz enthalten sein. Sie können von Land zu Land unterschiedlich sein.

Geräusch

Typischer A-bewerteter Geräuschpegel ermittelt gemäß EN60745:

Modell DJN160

Schalldruckpegel (L_{pA}): 72 dB(A)

Ungewissheit (K): 3 dB(A)

Der Lärmpegel kann während des Betriebs 80 dB (A) überschreiten.

Modell DJN161

Schalldruckpegel (L_{pA}): 73 dB(A)

Ungewissheit (K): 3 dB(A)

Der Lärmpegel kann während des Betriebs 80 dB (A) überschreiten.

Gehörschutz tragen

ENG900-1

Vibration

Vibrationsgesamtwert (Drei-Achsen-Vektorsumme) ermittelt gemäß EN60745:

Modell DJN160

Arbeitsmodus: Schneiden von Blechen

Vibrationsemission (a_{hv}): 7,0 m/s²

Ungewissheit (K): 1,5 m/s²

Modell DJN161

Arbeitsmodus: Schneiden von Blechen

Vibrationsemission (a_{hv}): 6,5 m/s²

Ungewissheit (K): 1,5 m/s²

ENG901-1

- Der angegebene Vibrationsemissionswert wurde im Einklang mit der Standardprüfmethode gemessen und kann für den Vergleich zwischen Maschinen herangezogen werden.
- Der angegebene Vibrationsemissionswert kann auch für eine Vorbewertung des Gefährdungsgrads verwendet werden.

WARNUNG:

- Die Vibrationsemission während der tatsächlichen Benutzung des Elektrowerkzeugs kann je nach der Benutzungsweise der Maschine vom angegebenen Emissionswert abweichen.
- Identifizieren Sie Sicherheitsmaßnahmen zum Schutz des Benutzers anhand einer Schätzung des Gefährdungsgrads unter den tatsächlichen Benutzungsbedingungen (unter Berücksichtigung aller Phasen des Arbeitszyklus, wie z. B. Ausschalt- und Leerlaufzeiten der Maschine zusätzlich zur Betriebszeit).

Nur für europäische Länder

EG-Übereinstimmungserklärung

Wir, die Firma Makita als verantwortlicher Hersteller, erklären, dass die folgende(n) Makita-Maschine(n):

Bezeichnung der Maschine:

Akku-Knabber

Modell-Nr./ Typ: DJN160, DJN161

der Serienproduktion entstammen und

den folgenden europäischen Richtlinien entsprechen:

2006/42/EG

und gemäß den folgenden Standards oder standardisierten Dokumenten hergestellt werden:

EN60745

Die technische Dokumentation befindet sich im Bestand von:

Makita International Europe Ltd.

Technische Abteilung,

Michigan Drive, Tongwell,

Milton Keynes, Bucks MK15 8JD, England

26.4.2012



Tomoyasu Kato

Direktor

Makita Corporation

3-11-8, Sumiyoshi-cho,

Anjo, Aichi, 446-8502, JAPAN

Visione generale

1 Bottone	11 Tacca	23 Taglio perpendicolare di scanalature
2 Indicatore rosso	12 Interruttore laterale	24 Vista laterale
3 Batteria	13 Spia	25 Lamiera ondulata o trapezoidale
4 Marchio di stella	14 Stampo	26 La testa di taglio deve formare un angolo retto (90°) con la superficie da tagliare.
5 Portastampo	15 Bulloni	27 Segno di limite
6 Controdado	16 Chiave esagonale	28 Tappo portaspazzole
7 Per allentare	17 Punzone	29 Cacciavite
8 Chiave	18 Portapunzone	30 Tappo portaspazzole
9 Spessore di taglio acciaio inossidabile: 1,2 mm (3/64")	19 Vite	
10 Spessore di taglio acciaio dolce: 1,6 mm (1/16")	20 Stringere	
	21 Vista dall'alto	
	22 Taglio inclinato di scanalature	

DATI TECNICI

Modello		DJN160	DJN161
Capacità massime di taglio	Acciaio fino a 400 N/mm ²	1,6 mm/16 ga	1,6 mm/16 ga
	Acciaio fino a 600 N/mm ²	1,2 mm/18 ga	1,2 mm/18 ga
	Alluminio fino a 200 N/mm ²	2,5 mm/12 ga	2,5 mm/12 ga
Raggio minimo di taglio	Bordo esterno	50 mm	50 mm
	Bordo interno	45 mm	45 mm
Corse al minuto (min ⁻¹)		1.900	1.900
Lunghezza totale		313 mm	313 mm
Peso netto		2,1 kg	2,2 kg
Tensione nominale		C.c. 14,4 V	C.c. 18 V

GEB028-2

- Per il nostro continuo programma di ricerca e sviluppo, i presenti dati tecnici sono soggetti a cambiamenti senza avviso.
- I dati tecnici e la cartuccia batteria potrebbero differire da paese a paese.
- Peso, con batteria, secondo la Procedura EPTA 01/2003

ENE037-1

Utilizzo previsto

Questo utensile è progettato per il taglio delle lamiere di acciaio e delle lamiere di acciaio inossidabile.

GEA010-1

Avvertimenti generali per la sicurezza dell'utensile elettrico

⚠ AVVERTIMENTO Leggere tutti gli avvertimenti per la sicurezza e le istruzioni. La mancata osservanza degli avvertimenti e delle istruzioni può causare scosse elettriche, incendio e/o gravi incidenti.

Conservare tutti gli avvertimenti e le istruzioni per riferimenti futuri.

AVVERTIMENTI DI SICUREZZA PER LA RODITRICE

1. Tenere saldamente l'utensile.
2. Fissare saldamente il pezzo.
3. Tenere la mani lontane dalle parti mobili.
4. Non posare l'utensile lasciandolo girare. Farlo indossare i guanti. Per evitare lesioni, si raccomanda anche di calzare scarpe con suola spessa.
5. Non posare l'utensile sui trucioli del pezzo. Ciò potrebbe causare danni o problemi dell'utensile.
6. Non posare l'utensile immediatamente dopo una operazione. Farlo funzionare soltanto tenendolo in mano.
7. Avere sempre i piedi appoggiati saldamente. Accertarsi che non ci sia nessuno sotto usando l'utensile in un luogo alto.
8. Non toccare il punzone, la matrice o il pezzo immediatamente dopo una operazione. Essi potrebbero essere estremamente caldi e bruciare la pelle.
9. Evitare di tagliare fili elettrici. C'è grave pericolo di scosse elettriche.

CONSERVARE QUESTE ISTRUZIONI.

AVVERTIMENTO:

NON lasciare che la comodità d'utilizzo o la familiarità con il prodotto (acquisita con l'uso ripetuto) sostituisca la stretta osservanza delle norme per la sua sicurezza. L'utilizzo SBAGLIATO o la mancata osservanza delle norme di sicurezza di questo manuale di istruzioni potrebbero causare lesioni serie.

ENC007-8

ISTRUZIONI IMPORTANTI PER LA SICUREZZA

CARTUCCIA BATTERIA

1. Prima di usare la cartuccia della batteria, leggere tutte le istruzioni e le avvertenze sul (1) caricabatteria, sulla (2) batteria e sul (3) prodotto che utilizza la batteria.
2. Non smontare la cartuccia della batteria.
3. Se il tempo di funzionamento diventa eccessivamente corto, smettere immediatamente di usare l'utensile. C'è pericolo di surriscaldamento, di possibili bruciature ed anche di esplosione.
4. Se l'elettrolito finisce negli occhi, sciacquarli con acqua fresca e rivolgersi subito a un medico. C'è la possibilità di perdita della vista.
5. Non cortocircuitare la cartuccia della batteria:
 - (1) Non toccare i terminali con qualche metallo conduttivo.
 - (2) Evitare di conservare la cartuccia della batteria in un contenitore con altri oggetti metallici come i chiodi, le monete, ecc.
 - (3) Non esporre la cartuccia della batteria all'acqua o alla pioggia.

Un cortocircuito della batteria può causare un grande flusso di corrente, il surriscaldamento, possibili ustioni e addirittura un guasto.

6. Non tenere l'utensile e la cartuccia batteria in luoghi dove la temperatura potrebbe raggiungere o superare i 50°C.
7. Non incenerire la cartuccia della batteria anche se è gravemente danneggiata o è completamente esaurita. La cartuccia della batteria può esplodere e provocare un incendio.
8. Fare attenzione a non lasciar cadere o a colpire la batteria.
9. Non usare una batteria danneggiata.
10. Seguire le norme locali relative al modo di disfarsi della batteria.

CONSERVARE QUESTE ISTRUZIONI.

Suggerimenti per mantenere la durata massima della batteria

1. Caricare la cartuccia della batteria prima che si scarichi completamente. Smettere sempre di usare l'utensile e caricare la cartuccia della batteria quando si nota che la potenza dell'utensile è diminuita.
2. Non ricaricare mai una cartuccia della batteria completamente carica. La sovraccarica riduce la durata della batteria.
3. Caricare la cartuccia batteria alla temperatura ambiente di 10°C – 40°C. Lasciar raffreddare una cartuccia della batteria calda prima di caricarla.

4. Caricare la cartuccia della batteria una volta ogni sei mesi se non si intende usarla per un lungo periodo di tempo.

DESCRIZIONE FUNZIONALE

ATTENZIONE:

- Accertarsi sempre che l'utensile sia spento e di aver rimosso la cartuccia batteria prima di regolarlo o di controllare il suo funzionamento.

Installazione o rimozione della batteria (Fig. 1)

ATTENZIONE:

- Spegnerne sempre l'utensile prima di installare o di rimuovere la batteria.
- **Tenere saldamente l'utensile e la batteria quando si installa o si rimuove la batteria.** Se non si tengono saldamente l'utensile e la cartuccia batteria, potrebbero sfuggire di mano danneggiandosi e causare un incidente.

Per rimuovere la batteria, toglierla dall'utensile spingendo allo stesso tempo il bottone sulla parte anteriore della batteria.

Per installare la batteria, allineare l'appendice della batteria sulla scanalatura dell'alloggiamento e spingerla in posizione. Inserirla completamente finché si blocca in posizione con uno piccolo scatto. Se si vede l'indicatore rosso sul lato superiore del bottone, vuol dire che la batteria non è bloccata completamente.

ATTENZIONE:

- Installare sempre completamente la batteria finché l'indicatore rosso non è più visibile. In caso contrario, potrebbe cadere accidentalmente fuori dall'utensile causando un incidente all'operatore o a chi gli è vicino.
- Non installare forzatamente la batteria. Se la batteria non scivola dentro facilmente, vuol dire che non viene inserita correttamente.

Sistema di protezione della batteria (Fig. 2)

L'utensile è dotato di un sistema di protezione della batteria. Questo sistema interrompe automaticamente la corrente al motore per estendere la vita della batteria. L'utensile si arresta automaticamente mentre sta funzionando se esso e/o la batteria vengono a trovarsi in una delle condizioni seguenti:

- Sovraccarico:

L'utensile viene usato in un modo che causa un assorbimento anormalmente alto di corrente.

In tal caso, spegnere l'utensile e arrestare l'applicazione che ha causato il sovraccarico dell'utensile. Riaccendere poi l'utensile per riavviarlo.

Se l'utensile non si riavvia, vuol dire che è sovraccarica la batteria. In tal caso, lasciar raffreddare la batteria prima di riaccendere l'utensile.

- Bassa tensione della batteria:

La capacità restante della batteria è troppo bassa e l'utensile non funziona. In tal caso, rimuovere e ricaricare la batteria.

NOTA:

- La protezione del sovraccarico si attiva soltanto con una cartuccia batteria che ha il marchio di una stella.

Cambiamento di posizione stampo (Fig. 3)

La posizione del portastampo può essere cambiata di 360°. Per cambiarla, procedere come segue.

1. Allentare il controdatto con la chiave in dotazione.
2. Tirare leggermente il portastampo e girarlo nella posizione desiderata per il lavoro.
3. Stringere il controdatto per fissare il portastampo sulla posizione desiderata.

Ci sono quattro posizioni di arresto meccanico di 90° ciascuna: 0°, 90° a sinistra e a destra, e 180°. Per posizionare lo stampo su una di queste posizioni di arresto meccanico:

4. Allentare il controdatto con la chiave in dotazione.
5. Tirare leggermente il portastampo e premerlo leggermente girandolo sulla posizione desiderata. Il portastampo si blocca sulla posizione di arresto meccanico desiderata.
6. Girare leggermente il portastampo per accertarsi che sia bloccato saldamente in posizione.
7. Stringere il controdatto per fissare il portastampo.

Spessore di taglio permessibile (Fig. 4)

Lo spessore del materiale da tagliare dipende dal carico di rottura del materiale stesso. La scanalatura sul portastampo serve da calibro di spessore per lo spessore di taglio permessibile. Non si deve cercare di tagliare un materiale che non entra in questa scanalatura.

Linea di taglio

La tacca sul portastampo indica la linea di taglio. La sua larghezza è uguale alla larghezza di taglio. Allineare la tacca sulla linea di taglio del pezzo quando si esegue il taglio.

Funzionamento dell'interruttore (Fig. 5)

⚠ ATTENZIONE:

- Prima di inserire la cartuccia batteria nell'utensile, controllare sempre che l'interruttore scorrevole funzioni correttamente e che torni sulla posizione "OFF" quando si schiaccia la sua parte posteriore.
- L'interruttore può essere bloccato sulla posizione "ON" per la comodità dell'operatore durante l'uso prolungato. Fare attenzione quando si blocca l'utensile sulla posizione "ON", e mantenere una presa salda su di esso.

Per avviare l'utensile, spingere l'interruttore laterale verso la posizione "I (ON)". Per il funzionamento continuo, premere la parte anteriore dell'interruttore scorrevole per bloccarlo.

Per arrestare l'utensile, premere la parte posteriore dell'interruttore scorrevole verso la posizione "O (OFF)".

Spia multifunzione (Fig. 6)

Le spie si trovano in due posizioni.

- Segnale di sostituzione cartuccia batteria

- Se la batteria si scarica quasi completamente durante un lavoro, la spia rossa si accende e l'utensile si arresta immediatamente. Sostituire la batteria con una completamente carica quando la spia rossa si accende.

- Funzione di prevenzione del riavviamento accidentale

- Anche se la cartuccia batteria viene inserita nell'utensile con l'interruttore scorrevole sulla posizione "I (ON)", l'utensile non si avvia. La spia lampeggia allora lentamente per indicare che la funzione di prevenzione del riavviamento accidentale è attivata.
- Per avviare l'utensile, spingere prima l'interruttore scorrevole verso la posizione "O (OFF)", e spingerlo poi verso la posizione "I (ON)".

MONTAGGIO

⚠ ATTENZIONE:

- Accertarsi sempre che l'utensile sia spento e che la batteria sia stata rimossa prima di qualsiasi intervento sull'utensile.

Rimozione o installazione del punzone e dello stampo (Fig. 7, 8, 9 e 10)

Sostituire sempre insieme il punzone e lo stampo. Per rimuovere il punzone e lo stampo, allentare il controdatto con la chiave. Rimuovere il portastampo dall'utensile. Usare la chiave esagonale per allentare i bulloni che fissano lo stampo. Rimuovere lo stampo dal portastampo.

Usare la chiave esagonale per allentare la vite che fissa il punzone. Tirare il punzone fuori dal portastampo.

Per installare il punzone e lo stampo, inserire il punzone nel portapunzone in modo che la tacca del punzone sia rivolta verso la vite. Stringere la vite per fissare il punzone. Installare lo stampo sul portastampo. Stringere i bulloni per fissare lo stampo.

Installare poi il portastampo sull'utensile in modo che il punzone venga inserito attraverso il foro nel portastampo. Stringere il controdatto per fissare il portastampo. Dopo la sostituzione del punzone e dello stampo, lubrificarli con olio per macchine e far funzionare l'utensile per qualche tempo.

FUNZIONAMENTO

Lubrificazione preliminare

Spalmare la linea di taglio con olio per macchine per estendere la vita di servizio del punzone e dello stampo. Ciò è particolarmente importante per il taglio dell'alluminio.

Metodo di taglio (Fig. 11)

Tenere l'utensile in modo che la testa di taglio formi un angolo retto (90°) con il pezzo da tagliare. Spostare delicatamente l'utensile nella direzione di taglio.

Sfinestrature (Fig. 12)

Le sfinestrature possono essere eseguite praticando prima un foro rotondo di oltre 21 mm di diametro in cui inserire la testa di taglio.

Taglio di lamiere ondulate o trapezoidali (Fig. 13 e 14)

Regolare la posizione dello stampo in modo che esso sia rivolto nella direzione di taglio quando si taglia in posizione inclinata o perpendicolare rispetto alle scanalature delle lamiere ondulate o trapezoidali.

Tenere sempre il corpo dell'utensile parallelo alle scanalature con la testa di taglio ad angolo retto (90°) con la superficie di taglio, come mostrato nella illustrazione.

MANUTENZIONE

⚠ ATTENZIONE:

- Accertarsi sempre che l'utensile sia spento e di aver rimosso la batteria prima di cercare di eseguire l'ispezione o la manutenzione.
- Mai usare benzina, benzene, solventi, alcol e altre sostanze simili. Potrebbero causare scolorimenti, deformazioni o crepe.

Sostituzione delle spazzole di carbone (Fig. 15, 16 e 17)

Rimuovere e controllare regolarmente le spazzole di carbonio. Sostituirle quando sono usurate fino al segno di limite. Mantenere le spazzole di carbonio pulite in modo da poter scorrere liberamente nei portaspazzole. Le spazzole di carbone devono essere sostituite entrambe allo stesso tempo. Usare soltanto spazzole di carbone identiche.

Inserire l'estremità superiore di un cacciavite a punta nella tacca dell'utensile, e rimuovere il tappo portaspazzole sollevandolo.

Usare un cacciavite per rimuovere i tappi dei portaspazzole. Estrarre le spazzole di carbone usurate, inserire quelle nuove e fissare i tappi dei portaspazzole.

Reinstallare il tappo portaspazzole sull'utensile.

Per preservare la SICUREZZA e l'AFFIDABILITÀ del prodotto, le riparazioni, qualsiasi altra manutenzione o regolazione devono essere eseguite da un Centro Assistenza Makita autorizzato usando sempre ricambi Makita.

ACCESSORI OPZIONALI

⚠ ATTENZIONE:

- Questi accessori o attrezzi sono consigliati per l'uso con l'utensile Makita specificato in questo manuale. L'impiego di altri accessori o attrezzi può costituire un rischio di lesioni alle persone. Usare gli accessori soltanto per il loro scopo prefissato.

Per ottenere maggiori dettagli su questi accessori, rivolgersi a un Centro Assistenza Makita locale.

- Stampo
- Punzone
- Chiave esagonale
- Chiave 32
- Batteria e caricatore genuini Makita

NOTA:

- Alcuni articoli nella lista potrebbero essere inclusi nell'imballo dell'utensile come accessori standard. Essi potrebbero differire da Paese a Paese.

Rumore

Il tipico livello di rumore pesato A determinato secondo EN60745:

Modello DJN160

Livello pressione sonora (L_{pA}): 72 dB(A)

Incertezza (K): 3 dB(A)

Il livello di rumore durante il lavoro potrebbe superare gli 80 dB (A).

Modello DJN161

Livello pressione sonora (L_{pA}): 73 dB(A)

Incertezza (K): 3 dB(A)

Il livello di rumore durante il lavoro potrebbe superare gli 80 dB (A).

Indossare i paraorecchi

ENG900-1

Vibrazione

Il valore totale di vibrazione (somma vettore triassiale) determinato secondo EN60745:

Modello DJN160

Modalità operativa: taglio di lamiere

Emissione di vibrazione (a_h): 7,0 m/s²

Incertezza (K): 1,5 m/s²

Modello DJN161

Modalità operativa: taglio di lamiere

Emissione di vibrazione (a_h): 6,5 m/s²

Incertezza (K): 1,5 m/s²

ENG901-1

- Il valore di emissione delle vibrazioni dichiarato è stato misurato conformemente al metodo di test standard, e può essere usato per paragonare un utensile con un altro.
- Il valore di emissione delle vibrazioni dichiarato può anche essere usato per una valutazione preliminare dell'esposizione.

⚠ AVVERTIMENTO:

- L'emissione delle vibrazioni durante l'uso reale dell'utensile elettrico può differire dal valore di emissione dichiarato a seconda dei modi in cui viene usato l'utensile.
- Accertarsi di identificare le misure di sicurezza per la protezione dell'operatore basate sulla stima dell'esposizione nelle condizioni reali d'utilizzo (tenendo presente tutte le parti del ciclo operativo, come le volte in cui l'utensile viene spento e quando gira a vuoto, oltre al tempo di funzionamento).

Modello per l'Europa soltanto

Dichiarazione CE di conformità

Noi della Makita Corporation, come produttori responsabili, dichiariamo che le macchine Makita seguenti:

Designazione della macchina:

Roditrice a batteria

Modello No./ Tipo: DJN160, DJN161

sono una produzione di serie e

Conforme alle Direttive Europee:

2006/42/CE

E sono fabbricate conformemente ai seguenti standard o documenti standardizzati:

EN60745

La documentazione tecnica è tenuta da:

Makita International Europe Ltd.

Reparto tecnico,

Michigan Drive, Tongwell,

Milton Keynes, Bucks MK15 8JD, England

26.4.2012



Tomoyasu Kato

Amministratore

Makita Corporation

3-11-8, Sumiyoshi-cho,

Anjo, Aichi, 446-8502, JAPAN

Verklaring van algemene gegevens

1 Knop	11 Inkeping	23 Haaks op de groeven snijden
2 Rode indicator	12 Stroomschakelaar	24 Zijaanzicht
3 Accu	13 Werkingslampje	25 Gegolfde of trapezoidale metaalplaat
4 Stermarkering	14 Mes	26 De snijkop moet een rechte hoek (90°) maken met het te snijden oppervlak.
5 Meshouder	15 Bouten	27 Limietmarkering
6 Borgmoer	16 Zeskant-inbussleutel	28 Kap van de borstelhouderdop
7 Loszetten	17 Drevl	29 Schroevendraaier
8 Sleutel	18 Drevelhouder	30 Borstelhouderdop
9 Diktemaat voor roestvrij staal: 1,2 mm (3/64")	19 Schroef	
10 Diktemaat voor zacht staal: 1,6 mm (1/16")	20 Vastdraaien	
	21 Boven aanzicht	
	22 Schuin op de groeven snijden	

TECHNISCHE GEGEVENS

Model		DJN160	DJN161
Maximale snijcapaciteit	Staal tot maximaal 400 N/mm ²	1,6 mm/16 ga	1,6 mm/16 ga
	Staal tot maximaal 600 N/mm ²	1,2 mm/18 ga	1,2 mm/18 ga
	Aluminium tot maximaal 200 N/mm ²	2,5 mm/12 ga	2,5 mm/12 ga
Minimale snijcirkel	Buitenrand	50 mm	50 mm
	Binnenrand	45 mm	45 mm
Aantal snijbewegingen per minuut (min ⁻¹)		1 900	1 900
Totale lengte		313 mm	313 mm
Nettogewicht		2,1 kg	2,2 kg
Nominale spanning		D.C. 14,4 V	D.C. 18 V

- Vanwege ons voortgaand onderzoeks- en ontwikkelingsprogramma kunnen de bijgaande technische gegevens zonder voorafgaande kennisgeving worden gewijzigd.
- De technische gegevens en de accu kunnen van land tot land verschillen.
- Gewicht, inclusief accu, volgens de EPTA-procedure 01/2003

GEB028-2

Doeleinden van gebruik

Dit gereedschap is bedoeld voor het knippen van staalplaat en roestvrijstaalplaat.

ENE037-1

Algemene veiligheidswaarschuwingen voor elektrisch gereedschap

⚠ WAARSCHUWING! Lees alle veiligheidswaarschuwingen en alle instructies. Het niet volgen van de waarschuwingen en instructies kan leiden tot elektrische schokken, brand en/of ernstig letsel.

GEA010-1

Bewaar alle waarschuwingen en instructies om in de toekomst te kunnen raadplegen.

VEILIGHEIDSVORSCHRIFTEN VOOR DE KNABELSCHAAR

1. Houd het gereedschap stevig vast.
2. Zet het werkstuk goed vast.
3. Houd uw handen uit de buurt van bewegende onderdelen.
4. De randen en afgeknijpte spaanders van het werkstuk zijn uiterst scherp. Draag handschoenen. Draag bij voorkeur ook schoenen met dikke zolen, om mogelijke verwondingen te voorkomen.
5. Plaats het gereedschap niet op de afgeknijpte spaanders van het werkstuk. Dit kan beschadiging en defect van het gereedschap veroorzaken.
6. Laat het gereedschap niet achter terwijl het nog in bedrijf is. Laat het gereedschap alleen draaien terwijl u het met de handen vasthoudt.
7. Zorg ervoor dat u altijd stevige steun voor de voeten hebt.
Controleer of er zich niemand beneden u bevindt wanneer u het gereedschap op een hoge plaats gaat gebruiken.
8. Raak de stempel, de matrijs of het werkstuk niet onmiddellijk na gebruik aan. Zij kunnen bijzonder heet zijn en brandwonden op uw huid veroorzaken.

9. Pas op dat u niet in elektrische draden snijdt. Dit kan een ernstig ongeluk door elektrische schok veroorzaken.

BEWAAR DEZE VOORSCHRIFTEN.

⚠ WAARSCHUWING:

LAAT NIET uw vertrouwdheid met het gereedschap (na regelmatig gebruik) omslaan in slordigheid of onachtzaamheid omtrent de strik na te leven veiligheidsvoorschriften voor dit product. VERKEERD GEBRUIK of het niet naleven van de veiligheidsvoorschriften in deze gebruiksaanwijzing kan leiden tot ernstige verwondingen.

ENC007-8

BELANGRIJKE VEILIGHEIDSVORSCHRIFTEN

VOOR DE ACCU

1. Lees alle voorschriften en waarschuwingen op (1) de acculader, (2) de accu, en (3) het product waarvoor de accu wordt gebruikt, aandachtig door alvorens de acculader in gebruik te nemen.
2. Neem de accu niet uit elkaar.
3. Als de gebruiksduur van het gereedschap erg kort is geworden, staakt u dan onmiddellijk het gebruik. Er bestaat kans op oververhitting, met gevaar voor brand of zelfs een explosie.
4. Als er accuvloestof in uw ogen komt, wast u die dan onmiddellijk uit met volop water en raadpleeg dan onverwijld een arts. Uw gezichtsvermogen zou ernstig aangetast kunnen worden.
5. Voorkom kortsluiting van de accu:
 - (1) Raak de accuklemmen nooit aan met een geleidend materiaal.
 - (2) Bewaar de accu niet in een bak waarin andere metalen voorwerpen zoals spijkers, munten e.d. worden bewaard.
 - (3) Stel de accu niet bloot aan water of regen.

Kortsluiting van de accu kan oorzaak zijn van een grote stroomafgifte, oververhitting, brandwonden, en zelfs defecten.

6. Bewaar het gereedschap en de accu niet op een plaats waar de temperatuur tot 50°C of hoger kan oplopen.
7. Werp de accu nooit in het vuur, ook niet wanneer hij zwaar beschadigd of volledig versleten is. De accu kan namelijk ontploffen in het vuur.
8. Wees voorzichtig dat u de accu niet laat vallen en hem niet blootstelt aan schokken of stoten.
9. Gebruik nooit een beschadigde accu.
10. Volg bij het wegwerpen van de accu de plaatselijk geldende voorschriften.

BEWAAR DEZE VOORSCHRIFTEN.

Tips voor een maximale levensduur van de accu

1. Laad de accu op voordat hij volledig ontladen is. Stop het gebruik van het gereedschap en laad de accu op telkens wanneer u vaststelt dat het vermogen van het gereedschap is afgenomen.
2. Laad een volledig opgeladen accu nooit opnieuw op. Als u de accu te veel oplaadt, zal hij minder lang meegaan.

3. Laad de accu op bij een kamertemperatuur van 10°C – 40°C. Laad een warme accu afkoelen alvorens hem op te laden.
4. Laad de accu zeker elk half jaar een keer op, ook als u deze geruime tijd lang niet gebruikt.

BESCHRIJVING VAN DE FUNCTIES

⚠ LET OP:

- Zorg altijd dat het gereedschap is uitgeschakeld en de accu ervan is verwijderd alvorens de functies op het gereedschap af te stellen of te controleren.

Aanbrengen en verwijderen van de accu (Fig. 1)

⚠ LET OP:

- Schakel altijd het gereedschap uit voordat u de accu aanbrengt of verwijderd.
- Houd het gereedschap en de accu stevig vast wanneer u de accu aanbrengt of verwijderd. Als u het gereedschap en de accu niet stevig vasthoudt, zou er iets uit uw handen kunnen glippen, met gevaar voor schade aan het gereedschap of de accu en eventuele verwonding.

Om de accu te verwijderen, schuift u deze uit het gereedschap los terwijl u de knop voorop de accu ingedrukt houdt.

Voor het aanbrengen van de accu plaatst u de tong van de accu in de groef van de behuizing en schuift u de accu op zijn plaats. Schuif de accu er altijd volledig in totdat die op zijn plaats vast klikt. Wanneer de rode indicator op de bovenkant van de knop nog zichtbaar is, zit de accu niet volledig erin.

⚠ LET OP:

- Schuif de accu volledig erin totdat de rode indicator niet meer zichtbaar is. Als u dit nalaat, zou de accu uit het gereedschap kunnen vallen en uzelf of anderen kunnen verwonden.
- Druk de accu er niet met kracht in. Als de accu er niet soepel in gaat, houdt u die waarschijnlijk in de verkeerde stand.

Accubeveiligingssysteem (Fig. 2)

Het gereedschap is voorzien van een accubeveiligingssysteem. Dit systeem kan automatisch de stroomtoevoer naar de motor afsluiten om de levensduur van de accu te verlengen.

Het gereedschap kan tijdens gebruik automatisch stoppen wanneer het gereedschap en/of de accu aan één van de volgende omstandigheden wordt blootgesteld:

• Overbelasting:

Als het gereedschap wordt gebruikt op een manier die een abnormaal hoge stroomsterkte vergt.

In dat geval schakelt u het gereedschap uit en verhelpt u de oorzaak van de overbelasting nadat het werktuig gestopt is. Dan schakelt u het gereedschap weer in om het te herstarten.

Als het gereedschap niet start, kan de accu oververhit zijn. In dat geval laad u de accu afkoelen voordat u het gereedschap opnieuw inschakelt.

• Onvoldoende accuspanning:

Als de resterende accuspanning onvoldoende is, zal het gereedschap niet starten. In dat geval verwijderd u de accu en laadt u die opnieuw op.

OPMERKING:

- De beveiliging tegen oververhitting werkt alleen bij accu's met een stermarkering.

Stand van het mes wijzigen (Fig. 3)

De stand van de meshouder is 360° draaibaar. Om de stand te wijzigen, gaat u als volgt te werk.

1. Draai de borgmoer los met de bijgeleverde sleutel.
2. Trek de meshouder ietwat omhoog en draai die dan in de gewenste stand voor het werk.
3. Draai de borgmoer weer vast om de meshouder in de gekozen stand te vergrendelen.

Er zijn vier vaste klikstanden met 90° er tussen: Bij 0°, 90° links en rechts en 180°. Om het mes in te stellen op één van deze vaste klikstanden:

4. Draai de borgmoer los met de bijgeleverde sleutel.
5. Trek de meshouder iets omhoog en druk hem dan licht omlaag terwijl u de meshouder naar de gewenste stand draait. De meshouder zal in de door u gekozen klikstand vastklikken.
6. Draai lichtjes aan de meshouder om te controleren dat hij stevig vastzit.
7. Draai de borgmoer vast om de meshouder te vergrendelen.

Toegestane snijdikte (Fig. 4)

De dikte van het te snijden materiaal hangt af van de treksterkte van het materiaal zelf. De groef in de meshouder dient als diktemaat voor de toegestane snijdikte. Probeer geen materiaal te snijden dat niet in deze groef past.

Kniplijn

De inkeping in de meshouder geeft de snijlijn aan. De breedte ervan komt overeen met de snijbreedte. Laat bij het snijden de inkeping samenvallen met de snijlijn op het werkstuk.

Schakelaarwerking (Fig. 5)

⚠ LET OP:

- Alvorens de accu in het gereedschap te plaatsen, moet u controleren of de schuifschakelaar correct functioneert en terugkeert in de "UIT"-stand wanneer de achterkant van de schakelaar wordt ingedrukt.
- De schakelaar kan in de "AAN"-stand vergrendeld worden, hetgeen bij langdurig gebruik comfortabeler werkt. Wees extra voorzichtig wanneer u de schakelaar in de "AAN"-stand vergrendelt en houd het gereedschap altijd stevig vast.

Om het gereedschap te starten, schuift u de stroomschakelaar in de "I (AAN)"-stand. Voor continu gebruik drukt u de voorkant van de stroomschakelaar in, om die te vergrendelen.

Om het gereedschap te stoppen drukt u op de achterkant van de stroomschakelaar en schuift u die naar de "O (UIT)"-stand.

Werkingslampje met diverse functies (Fig. 6)

Op twee plaatsen is voorzien in een werkingslampje.

- Aanduiding voor vervangen van de accu

- Wanneer tijdens het gebruik de accu bijna helemaal leeg is, gaat het rode lampje branden en stopt het gereedschap onmiddellijk. Wanneer het rode lampje oplicht, vervangt u de accu door één die volledig is opgeladen.

- Beveiliging tegen per ongeluk herstarten

- Al staat de schuifschakelaar nog in de "I (AAN)"-stand wanneer u een accu in het apparaat plaatst, het gereedschap zal dan niet starten. In dat geval knippert het lampje langzaam om aan te geven dat de beveiliging tegen per ongeluk herstarten in werking is getreden.
- Om dan het gereedschap te starten, schuift u eerst de schakelaar naar de "O (UIT)"-stand en dan schuift u die weer in de "I (AAN)"-stand.

INEENZETTEN

⚠ LET OP:

- Controleer altijd of het gereedschap is uitgeschakeld en de accu ervan is verwijderd alvorens enig werk aan het gereedschap uit te voeren.

De drevel en het mes verwijderen of aanbrengen (Fig. 7, 8, 9 en 10)

Vervang de drevel en het mes altijd samen. Om de drevel en het mes te vervangen, draait u de borgmoer los met de sleutel. Verwijder de meshouder van het gereedschap. Draai de mesbevestigingsbouten los met behulp van de zeskant-inbussleutel. Verwijder het mes uit de meshouder.

Draai de drevelbevestigingsschroef los met behulp van de inbussleutel. Trek de drevel uit de drevelhouder.

Om de drevel en het mes aan te brengen, steekt u de drevel in de drevelhouder zodat de uitsparing in de drevel naar de schroef toe wijst. Draai de schroef vast om de drevel te vergrendelen. Plaats het mes in de meshouder. Draai de bouten vast om het mes te vergrendelen.

Bevestig vervolgens de meshouder op het gereedschap zodat de drevel door de opening in de meshouder steekt. Draai de borgmoer vast om de meshouder te vergrendelen. Na het vervangen van de drevel en het mes, smeert u ze met machineolie en laat u het gereedschap een tijdje draaien.

BEDIENING

Voorsmering

Breng machineolie aan op de snijlijn voor een langere levensduur van de drevel en het mes. Dit is met name belangrijk bij het snijden van aluminium.

Snijmethode (Fig. 11)

Houd het gereedschap zo dat de snijkop een rechte hoek (90°) maakt met het te snijden werkstuk. Beweeg het gereedschap soepel en gelijkmatig in de snijrichting.

Uitsnijdingen (Fig. 12)

Om materiaal uit te snijden, maakt u eerst een rondepopening met een diameter van meer dan 21 mm waarin u dan de snijkop kunt steken.

Gegolfde of trapezoidale metaalplaat snijden (Fig. 13 en 14)

Stel het mes zo in dat het mes in de snijrichting wijst wanneer schuin of haaks op de groeven in gegolfde of trapezoidale metaalplaat wordt gesneden.

Houd het gereedschap altijd parallel aan de groeven, met de snijkop haaks (90°) op het snijvlak, zoals getoond in de afbeelding.

ONDERHOUD

⚠ LET OP:

- Zorg er altijd voor dat het gereedschap is uitgeschakeld en de accu is verwijderd, voordat u enige inspectie of onderhoud uitvoert.
- Gebruik nooit benzine, wasbenzine, thinner, alcohol en dergelijke. Hierdoor kunnen verkleuring, vervormingen en barsten worden veroorzaakt.

Koolborstels vervangen (Fig. 15, 16 en 17)

Verwijder en controleer regelmatig de koolborstels. Vervang de koolborstels wanneer ze tot aan de limietmarkering versleten zijn. Houd de koolborstels schoon, zodat ze gemakkelijk in de houders glijden. Vervang altijd beide koolborstels tegelijk. Gebruik uitsluitend identieke koolborstels.

Steek het uiteinde van een platte schroevendraaier in de inkeping in het gereedschap en verwijder de kap van de borstelhouderdop door die omhoog te wippen.

Gebruik een schroevendraaier om de kap van de borstelhouderdoppen te verwijderen. Haal de versleten koolborstels eruit, plaats de nieuwe erin en zet daarna de doppen weer goed vast.

Breng de kap van de borstelhouderdop weer op het gereedschap aan.

Om de VEILIGHEID en BETROUWBAARHEID van het product te handhaven, dienen alle reparaties en alle andere onderhoudswerkzaamheden of afstellingen te worden uitgevoerd door een erkend Makita Servicecentrum, en dat uitsluitend met gebruik van Makita vervangingsonderdelen.

OPTIONELE ACCESSOIRES

⚠ LET OP:

- Deze accessoires of hulpstukken worden aanbevolen voor gebruik met het Makita gereedschap dat in deze gebruiksaanwijzing is beschreven. Bij gebruik van andere accessoires of hulpstukken bestaat er gevaar voor persoonlijke verwonding. Gebruik de accessoires of hulpstukken uitsluitend voor hun bestemde doel.

Raadpleeg het dichtstbijzijnde Makita servicecentrum voor verder advies of bijzonderheden omtrent deze accessoires.

- Mes
- Drevel
- Zeskant-inbussleutel
- Sleutel 32
- Originele Makita accu en acculader

OPMERKING:

- Sommige onderdelen in deze lijst kunnen bij het gereedschap zijn meegeleverd als standaard-accessoires. Deze kunnen van land tot land verschillen.

Geluidsniveau

De typisch, A-gewogen geluidsniveaus vastgesteld volgens EN60745:

Model DJN160

Geluidsdrukniveau (L_{pA}): 72 dB(A)
 Onnauwkeurigheid (K): 3 dB(A)

Tijdens het werken kan het geluidsniveau 80 dB (A) overschrijden.

Model DJN161

Geluidsdrukniveau (L_{pA}): 73 dB(A)
 Onnauwkeurigheid (K): 3 dB(A)

Tijdens het werken kan het geluidsniveau 80 dB (A) overschrijden.

Draag oorbeschermers

ENG900-1

Trilling

De totaalwaarde van de trillingen (triaxiale vectorsom) vastgesteld volgens EN60745:

Model DJN160

Toepassing: knippen van metaalplaat
 Trillingsemisatie (a_h): 7,0 m/s²
 Onnauwkeurigheid (K): 1,5 m/s²

Model DJN161

Toepassing: knippen van metaalplaat
 Trillingsemisatie (a_h): 6,5 m/s²
 Onnauwkeurigheid (K): 1,5 m/s²

ENG901-1

- De opgegeven trillingsemisiewaarde is gemeten volgens de standaardtestmethode en kan worden gebruikt om dit gereedschap te vergelijken met andere gereedschappen.
- De opgegeven trillingsemisiewaarde kan ook worden gebruikt voor een beoordeling vooraf van de blootstelling.

⚠ WAARSCHUWING:

- De trillingsemisatie tijdens het gebruik van het elektrisch gereedschap in de praktijk kan verschillen van de opgegeven trillingsemisiewaarde afhankelijk van de manier waarop het gereedschap wordt gebruikt.
- Zorg ervoor dat veiligheidsmaatregelen worden getroffen ter bescherming van de operator die zijn gebaseerd op een schatting van de blootstelling onder praktijkomstandigheden (rekening houdend met alle fasen van de bedrijfscyclus, zoals de tijdsduur gedurende welke het gereedschap is uitgeschakeld en stationair draait, naast de ingeschakelde tijdsduur).

Alleen voor Europese landen

EU-Verklaring van Conformiteit

Wij, Makita Corporation, als de verantwoordelijke fabrikant, verklaren dat de volgende Makita-machine(s):

Aanduiding van de machine:

Snoerloze knabbelschaar

Modelnr./ Type: DJN160, DJN161

in serie zijn geproduceerd en

Voldoet aan de volgende Europese Richtlijnen:

2006/42/EU

En zijn gefabriceerd in overeenstemming met de volgende normen of genormaliseerde documenten:

EN60745

De technische documentatie wordt bewaard door:

Makita International Europe Ltd.

Technische afdeling,

Michigan Drive, Tongwell,

Milton Keynes, Bucks MK15 8JD, Engeland

26.4.2012



Tomoyasu Kato

Directeur

Makita Corporation

3-11-8, Sumiyoshi-cho,

Anjo, Aichi, 446-8502, JAPAN

Explicación de los dibujos

- | | | |
|---|--------------------------------------|---|
| 1 Botón | 12 Interruptor deslizable | 24 Visto desde un lado |
| 2 Indicador rojo | 13 Lámpara indicadora | 25 Lámina de metal corrugado o trapezoidal |
| 3 Cartucho de batería | 14 Matriz | 26 El cabezal de corte deberá formar un ángulo recto (90°) con respecto a la superficie de corte. |
| 4 Marca de estrella | 15 Pernos | 27 Marca límite |
| 5 Soporte de matriz | 16 Llave hexagonal | 28 Cubierta de la tapa del portaescobilla |
| 6 Contratuerca | 17 Punzón | 29 Atornillador |
| 7 Aflojar | 18 Soporte de punzón | 30 Tapón portaescobillas |
| 8 Llave | 19 Tornillo | |
| 9 Calibrador para cortar acero inoxidable: 1,2 mm (3/64") | 20 Apretar | |
| 10 Calibrador para cortar acero blando: 1,6 mm (1/16") | 21 Visto desde arriba | |
| 11 Muesca | 22 Corte en ángulo a las ranuras | |
| | 23 Corte perpendicular a las ranuras | |

ESPECIFICACIONES

Modelo		DJN160	DJN161
Capacidades máximas de corte	Acero de hasta 400 N/mm ²	1,6 mm/16 ga	1,6 mm/16 ga
	Acero de hasta 600 N/mm ²	1,2 mm/18 ga	1,2 mm/18 ga
	Aluminio de hasta 200 N/mm ²	2,5 mm/12 ga	2,5 mm/12 ga
Radio mínimo de corte	Borde exterior	50 mm	50 mm
	Borde interior	45 mm	45 mm
Carreras por minuto (min ⁻¹)		1.900	1.900
Longitud total		313 mm	313 mm
Peso neto		2,1 kg	2,2 kg
Tensión nominal		CC 14,4 V	CC 18 V

- Debido a nuestro continuado programa de investigación y desarrollo, las especificaciones indicadas aquí están sujetas a cambio sin previo aviso.
- Las especificaciones y el cartucho de batería pueden diferir de país a país.
- Peso, con el cartucho de batería, de acuerdo con el procedimiento EPTA 01/2003

GEB028-2

Uso previsto

La herramienta ha sido prevista para cortar chapas de acero y chapas de acero inoxidable.

ENE037-1

GEA010-1

Advertencias de seguridad generales para herramientas eléctricas

⚠ ¡ADVERTENCIA! Lea todas las advertencias de seguridad y todas las instrucciones. Si no sigue todas las advertencias e instrucciones podrá ocasionar una descarga eléctrica, un incendio y/o heridas graves.

Guarde todas las advertencias e instrucciones para futuras referencias.

ADVERTENCIAS DE SEGURIDAD PARA LA ROEDORA

- Sujete firmemente la herramienta.
- Asegure firmemente la pieza de trabajo.
- Mantenga las manos alejadas de las partes en movimiento.
- Los bordes y las virutas de la pieza de trabajo estarán afilados. Póngase guantes. También le recomendamos ponerse calzado de suela gruesa para no dañarse.
- No ponga la herramienta encima de las virutas de la pieza de trabajo. De lo contrario, esto podría causar daños y problemas en la herramienta.
- No deje funcionando la herramienta sin atenderla. Utilícela solamente cuando la sostenga en sus manos.
- Asegúrese siempre de pisar suelo firme. Asegúrese de que no haya nadie debajo cuando utilice la herramienta en lugares elevados.
- No toque el punzón, la matriz ni la pieza de trabajo inmediatamente después de la operación; estarán muy calientes y podrán quemarle la piel.
- Evite cortar cables eléctricos. Esto puede causar accidentes graves debidos a descargas eléctricas.

GUARDE ESTAS INSTRUCCIONES.

⚠ ADVERTENCIA:

NO deje que la comodidad o familiaridad con el producto (a base de utilizarlo repetidamente) sustituya la estricta observancia de las normas de seguridad para el producto en cuestión. El MAL USO o el no seguir las normas de seguridad establecidas en este manual de instrucciones podrá ocasionar graves heridas personales.

ENC007-8

INSTRUCCIONES DE SEGURIDAD IMPORTANTES

PARA EL CARTUCHO DE BATERÍA

1. Antes de utilizar el cartucho de batería, lea todas las instrucciones e indicaciones de precaución sobre (1) el cargador de baterías, (2) la batería, y (3) el producto con el que se utiliza la batería.
2. No desarme el cartucho de batería.
3. Si el tiempo de uso del cartucho de batería se acorta demasiado, deje de usarlo inmediatamente. Podría resultar en un riesgo de recalentamiento, posibles quemaduras e incluso una explosión.
4. Si entra electrolito en sus ojos, aclárelos con agua limpia y acuda a un médico inmediatamente. Existe el riesgo de poder perder la vista.
5. No cortocircuite el cartucho de batería:
 - (1) No toque los terminales con ningún material conductor.
 - (2) Evite guardar el cartucho de batería en un cajón junto con otros objetos metálicos, tales como clavos, monedas, etc.
 - (3) No exponga el cartucho de batería al agua ni a la lluvia.

Un cortocircuito en la batería puede producir una gran circulación de corriente, un recalentamiento, posibles quemaduras e incluso una rotura de la misma.

6. No guarde la herramienta y el cartucho de batería en lugares donde la temperatura pueda alcanzar o exceder los 50°C.
7. Nunca incinere el cartucho de batería incluso en el caso de que esté dañado seriamente o ya no sirva en absoluto. El cartucho de batería puede explotar si se tira al fuego.
8. Tenga cuidado de no dejar caer ni golpear el cartucho de batería.
9. No utilice una batería dañada.
10. Siga los reglamentos locales referentes al desecho de la batería.

GUARDE ESTAS INSTRUCCIONES.

Consejos para alargar al máximo la vida de servicio de la batería

1. Cargue el cartucho de batería antes de que se descargue completamente. Pare siempre la operación y cargue el cartucho de batería cuando note menos potencia en la herramienta.
2. No cargue nunca un cartucho de batería que esté completamente cargado. La sobrecarga acortará la vida de servicio de la batería.

3. Cargue el cartucho de batería a una temperatura ambiente de 10°C – 40°C. Si un cartucho de batería está caliente, déjelo enfriar antes de cargarlo.
4. Cargue el cartucho de batería una vez cada seis meses si no lo utiliza durante un periodo de tiempo prolongado.

DESCRIPCIÓN DEL FUNCIONAMIENTO

⚠ PRECAUCIÓN:

- Asegúrese siempre de que la herramienta está apagada y el cartucho de batería extraído antes de realizar cualquier ajuste o comprobación en la herramienta.

Instalación o extracción del cartucho de batería (Fig. 1)

⚠ PRECAUCIÓN:

- Apague siempre la herramienta antes de la instalación o extracción del cartucho de batería.
- Sujete la herramienta y el cartucho de batería firmemente cuando instale o extraiga el cartucho de batería. Si no sujeta la herramienta y el cartucho de batería firmemente podrán caérsele de las manos y resultar en daños a la herramienta y cartucho de batería y heridas personales.

Para extraer el cartucho de batería, deslícelo de la herramienta a la vez que desliza el botón de la parte frontal del cartucho.

Para instalar el cartucho de batería, alinee la lengüeta del cartucho de batería con la ranura de la carcasa y deslícelo hasta que encaje en su sitio. Insértelo a tope hasta que se bloquee en su sitio produciendo un pequeño chasquido. Si puede ver el indicador rojo en el lado superior del botón, no estará bloqueado completamente.

⚠ PRECAUCIÓN:

- Instale siempre el cartucho de batería completamente hasta que no pueda verse el indicador rojo. En caso contrario, podrá caerse accidentalmente de la herramienta y ocasionarle heridas a usted o a alguien que esté cerca de usted.
- No instale el cartucho de batería empleando fuerza. Si el cartucho no se desliza al interior fácilmente, será porque no está siendo insertado correctamente.

Sistema de protección de la batería (Fig. 2)

La herramienta está equipada con un sistema de protección de la batería. Este sistema corta automáticamente la alimentación del motor para alargar la vida útil de la batería.

La herramienta se detendrá automáticamente durante la operación si la herramienta y/o la batería son puestas en una de las condiciones siguientes:

- Sobrecargada:

La herramienta es utilizada de una manera que da lugar a que tenga que absorber una corriente anormalmente alta. En esta situación, apague la herramienta y detenga la tarea que ocasiona la sobrecarga de la herramienta. Después encienda la herramienta para volver a empezar.

Si la herramienta no se pone en marcha, la batería estará recalentada. En esta situación, deje que la batería se enfríe antes de encender la herramienta otra vez.

- **Tensión baja en la batería:**
La capacidad de batería restante es muy baja y la herramienta no funcionará. En esta situación, extraiga la batería y vuelva a cargarla.

NOTA:

- La protección contra el recalentamiento funciona solamente con un cartucho de batería con marca de estrella.

Cambio de la posición de la matriz (Fig. 3)

La posición del soporte de matriz se puede cambiar 360°. Para cambiarla, prosiga de la forma siguiente.

1. Afloje la contratuerca con la llave provista.
2. Saque el soporte de matriz ligeramente y gírelo hasta la posición deseada para la operación.
3. Apriete la contratuerca para sujetar el soporte de matriz en la posición deseada.

Hay cuatro retenciones positivas a 90° cada una: 0°, 90° hacia la izquierda y hacia la derecha y 180°. Para colocar la matriz en cualquiera de estas retenciones positivas:

4. Afloje la contratuerca con la llave provista.
5. Saque el soporte de matriz ligeramente y bájelo ligeramente mientras lo gira hasta la posición deseada. El soporte de matriz se bloqueará en una de las posiciones de retención positiva que desee.
6. Gire el soporte de matriz ligeramente para asegurarse de que se está bloqueado positivamente en una posición.
7. Apriete la contratuerca para sujetar el soporte de matriz.

Espesor de corte permisible (Fig. 4)

El espesor del material que se vaya a cortar dependerá de la resistencia a la tracción del propio material. La ranura en el soporte de matriz sirve como calibrador de espesores para el grosor de corte permitido. No intente cortar ningún material que no encaje en esta ranura.

Línea de corte

La muesca en el soporte de matriz indica la línea de corte. Su anchura es igual a la anchura de corte. Alinee la muesca con la línea de corte en la pieza de trabajo cuando realice el corte.

Accionamiento del interruptor (Fig. 5)

⚠ PRECAUCIÓN:

- Antes de insertar el cartucho de batería en la herramienta, compruebe siempre para confirmar que el interruptor deslizable se acciona debidamente y que vuelve a la posición "OFF" cuando se presiona la parte trasera del mismo.
- El interruptor puede ser bloqueado en la posición "ON" para mayor comodidad del operario durante una utilización prolongada. Tenga precaución cuando bloquee la herramienta en la posición "ON" y mantenga la herramienta firmemente empuñada.

Para poner en marcha la herramienta, deslice el interruptor deslizable hacia la posición "I (ON)". Para una operación continua, presione la parte delantera del interruptor deslizable para bloquearlo.

Para detener la herramienta, presione la parte trasera del interruptor deslizable, después deslícelo hacia la posición "O (OFF)".

Lámpara indicadora con múltiples funciones (Fig. 6)

Las lámparas indicadoras están ubicadas en dos posiciones.

- Señal de reemplazo del cartucho de batería

- Cuando la carga de la batería esté a punto de agotarse durante la operación, la lámpara roja se iluminará y la herramienta se detendrá inmediatamente. Reemplace la batería con una completamente cargada cuando se encienda la lámpara roja.

- Función de prevención de puesta en marcha accidental

- Aunque se inserte el cartucho de batería en la herramienta con el interruptor deslizable en la posición "I (ON)", la herramienta no se pondrá en marcha. En este momento, la lámpara parpadeará lentamente indicando que la función de prevención de puesta en marcha accidental está activada.
- Para poner en marcha la herramienta, primero deslice el interruptor deslizable hacia la posición "O (OFF)" y después deslícelo hacia la posición "I (ON)".

MONTAJE

⚠ PRECAUCIÓN:

- Asegúrese siempre de que la herramienta esté apagada y el cartucho de batería extraído antes de realizar cualquier trabajo en la herramienta.

Desmontaje o instalación del punzón y la matriz (Fig. 7, 8, 9 y 10)

Reemplace siempre el punzón y la matriz en conjunto. Para retirar el punzón y la matriz, afloje la contratuerca con la llave. Retire el soporte de matriz de la herramienta. Utilice la llave hexagonal para aflojar los pernos que sujetan la matriz. Retire la matriz del soporte de matriz.

Utilice la llave hexagonal para aflojar el tornillo que sujeta el punzón. Saque el punzón del soporte de punzón.

Para instalar el punzón y la matriz, inserte el punzón en el soporte de punzón de forma que la muesca en el punzón quede orientada hacia el tornillo. Apriete el tornillo para sujetar el punzón. Instale la matriz en el soporte de matriz. Apriete los pernos para sujetar la matriz.

Después instale el soporte de matriz en la herramienta de forma que el punzón esté introducido a través del orificio del soporte de matriz. Apriete la contratuerca para sujetar el soporte de matriz. Después de reemplazar el punzón y la matriz, lubríquelos con aceite para máquinas y deje en marcha la herramienta durante un rato.

OPERACIÓN

Lubricación previa

Cubra la línea de corte con aceite para máquinas para aumentar la vida útil del punzón y la matriz. Esto es especialmente importante cuando se corta aluminio.

Método de corte (Fig. 11)

Sujete la herramienta de tal forma que el cabezal de corte esté en ángulo recto (90°) con la pieza de trabajo que quiere cortar. Mueva la herramienta con cuidado en la dirección de corte.

Recortes (Fig. 12)

Los recortes se pueden hacer abriendo primero un agujero redondo de más de 21 mm de diámetro en el que se pueda introducir el cabezal de corte.

Corte de láminas de metal corrugado o trapezoidal (Fig. 13 y 14)

Ajuste la posición de la matriz de forma que quede orientada en la dirección de corte tanto si corta en ángulo como si corta perpendicular a las ranuras de las láminas de metal corrugado o trapezoidal.

Mantenga siempre el cuerpo de la herramienta paralelo a las ranuras con el cabezal de corte en ángulo recto (90°) a la superficie de corte como se muestra en la figura.

MANTENIMIENTO

⚠ PRECAUCIÓN:

- Asegúrese siempre de que la herramienta está apagada y el cartucho de batería desmontado antes de intentar realizar una inspección o mantenimiento.
- No utilice nunca gasolina, bencina, disolvente, alcohol o similares. Podría producir descoloración, deformación o grietas.

Reemplazo de las escobillas de carbón (Fig. 15, 16 y 17)

Extraiga e inspeccione las escobillas de carbón regularmente. Reemplácelas cuando se hayan gastado hasta la marca límite. Mantenga las escobillas de carbón limpias de forma que entren libremente en los portaescobillas. Deberá reemplazar ambas escobillas de carbón al mismo tiempo. Utilice únicamente escobillas de carbón idénticas.

Inserte el extremo del destornillador de punta ranurada en la muesca de la herramienta y retire la cubierta de la tapa del portaescobilla levantándola.

Utilice un tornillador para quitar los tapones portaescobillas. Extraiga las escobillas desgastadas, inserte las nuevas y vuelva a colocar los tapones portaescobillas.

Vuelva a instalar la cubierta de la tapa del portaescobilla. Para mantener la SEGURIDAD y la FIABILIDAD del producto, las reparaciones y cualquier otro mantenimiento o ajuste deberán ser realizados por los centros de servicio autorizado de Makita, siempre con piezas de repuesto de Makita.

ACCESORIOS OPCIONALES

⚠ PRECAUCIÓN:

- Estos accesorios o aditamentos están recomendados para su uso con la herramienta Makita especificada en este manual. El uso de cualquier otro accesorio o aditamento puede suponer un riesgo de lesiones personales. Utilice el accesorio o aditamento exclusivamente para su uso declarado.

Si necesita información más detallada sobre estos accesorios, consulte con su centro local de servicio de Makita.

- Matriz
- Punzón
- Llave hexagonal
- Llave de 32
- Batería y cargador genuinos de Makita

NOTA:

- Algunos elementos de la lista podrán estar incluidos en el paquete de la herramienta como accesorios estándar. Pueden variar de un país a otro.

ENG905-1

Ruido

El nivel de ruido A-ponderado típico determinado de acuerdo con la norma EN60745:

Modelo DJN160

Nivel de presión sonora (L_{pA}): 72 dB(A)

Incerteza (K): 3 dB(A)

El nivel de ruido en condiciones de trabajo puede que sobrepase los 80 dB (A).

Modelo DJN161

Nivel de presión sonora (L_{pA}): 73 dB(A)

Incerteza (K): 3 dB(A)

El nivel de ruido en condiciones de trabajo puede que sobrepase los 80 dB (A).

Póngase protectores en los oídos

ENG900-1

Vibración

El valor total de la vibración (suma de vectores triaxiales) determinado de acuerdo con la norma EN60745:

Modelo DJN160

Modo tarea: corte de chapa de acero

Emisión de vibración (a_{h1}): 7,0 m/s²

Incerteza (K): 1,5 m/s²

Modelo DJN161

Modo tarea: corte de chapa de acero

Emisión de vibración (a_{h1}): 6,5 m/s²

Incerteza (K): 1,5 m/s²

ENG901-1

- El valor de emisión de vibración declarado ha sido medido de acuerdo con el método de prueba estándar y se puede utilizar para comparar una herramienta con otra.
- El valor de emisión de vibración declarado también se puede utilizar en una valoración preliminar de exposición.

⚠ ADVERTENCIA:

- La emisión de vibración durante la utilización real de la herramienta eléctrica puede variar del valor de emisión declarado dependiendo de las formas en las que la herramienta sea utilizada.
- Asegúrese de identificar medidas de seguridad para proteger al operario que estén basadas en una estimación de la exposición en las condiciones reales de utilización (teniendo en cuenta todas las partes del ciclo operativo tal como las veces cuando la herramienta está apagada y cuando está funcionando en vacío además del tiempo de gatillo).

Para países europeos solamente

Declaración de conformidad CE

Makita Corporation como fabricante responsable declara que la(s) siguiente(s) máquina(s) de Makita:

Designación de máquina:

Roedora Inalámbrica

Modelo N°/ Tipo: DJN160, DJN161

son producidas en serie y

Cumplen con las directivas europeas siguientes:

2006/42/CE

Y que están fabricadas de acuerdo con las normas o documentos normalizados siguientes:

EN60745

Los documentos técnicos los guarda:

Makita International Europe Ltd.

Departamento técnico,

Michigan Drive, Tongwell,

Milton Keynes, Bucks MK15 8JD, Inglaterra

26.4.2012



Tomoyasu Kato

Director

Makita Corporation

3-11-8, Sumiyoshi-cho,

Anjo, Aichi, 446-8502, JAPAN

Explicação geral

1 Botão	12 Interruptor deslizante	23 Corte perpendicular às ranhuras
2 Indicador vermelho	13 Luz indicadora	24 Vista lateral
3 Cartucho da bateria	14 Matriz	25 Folha metálica ondulada ou trapezoidal
4 Marcação de estrela	15 Pernos	26 A cabeça de corte deverá estar em ângulo recto (90°) relativamente à superfície de corte.
5 Suporte da matriz	16 Chave hexagonal	27 Marca limite
6 Contraporca	17 Furador	28 Cobertura da tampa do suporte
7 Desapertar	18 Suporte de furador	29 Chave de parafusos
8 Chave de porcas	19 Parafuso	30 Tampa do porta escovas
9 Indicador para cortar aço inoxidável: 1,2 mm (3/64")	20 Apertar	
10 Indicador para cortar aço macio: 1,6 mm (1/16")	21 Vista de cima	
11 Entalhe	22 Corte em ângulo em relação às ranhuras	

ESPECIFICAÇÕES

Modelo		DJN160	DJN161
Capacidades máx. de corte	Aço até 400 N/mm ²	1,6 mm/16 ga	1,6 mm/16 ga
	Aço até 600 N/mm ²	1,2 mm/18 ga	1,2 mm/18 ga
	Alumínio até 200 N/mm ²	2,5 mm/12 ga	2,5 mm/12 ga
Raio mín. de corte	Lado exterior	50 mm	50 mm
	Lado interior	45 mm	45 mm
Movimentos por minuto (min ⁻¹)		1.900	1.900
Comprimento total		313 mm	313 mm
Peso líquido		2,1 kg	2,2 kg
Tensão nominal		14,4 V C.C	18 V C.C

- Devido a um programa contínuo de pesquisa e desenvolvimento, estas especificações podem ser alteradas sem aviso prévio.
- As especificações e a bateria podem variar de país para país.
- Peso, com a bateria, de acordo com o Procedimento 01/2003 da EPTA (European Power Tool Association)

GEB028-2

ENE037-1

Utilização a que se destina

A ferramenta foi concebida para cortar chapas de aço e de aço inoxidável.

GEA010-1

Avisos gerais de segurança para ferramentas eléctricas

⚠ AVISO! Leia todos os avisos de segurança e todas as instruções. O não cumprimento de todos os avisos e instruções pode originar choque eléctrico, incêndio e/ou ferimentos graves.

Guarde todos os avisos e instruções para futuras referências.

AVISOS DE SEGURANÇA PARA TESOURA PUNÇÃO

1. **Agarre firmemente na ferramenta.**
2. **Prenda a peça de trabalho firmemente.**
3. **Mantenha as mãos afastadas das peças móveis.**
4. **As extremidades e aparas da peça de trabalho são afiadas. Use luvas. Para evitar injúrias também se recomenda o uso de sapatos fortes e abotinados.**
5. **Não coloque a ferramenta sobre as aparas da peça de trabalho. Pode causar estragos e estragar a ferramenta.**
6. **Não abandone a ferramenta a funcionar. Só funcione com a ferramenta quando a estiver a agarrar.**
7. **Confirme sempre que está em equilíbrio. Certifique-se que ninguém está por baixo quando utiliza a ferramenta em locais altos.**
8. **Não toque no punção, matriz ou peça de trabalho imediatamente após a operação; estas podem estar extremamente quentes e podem queimar-lhe a pele.**
9. **Evite cortar fios eléctricos. Devido a choque eléctrico pode causar um acidente grave.**

GUARDE ESTAS INSTRUÇÕES.

AVISO:

NÃO permita que conforto ou familiaridade com o produto (adquirido com o uso repetido) substitua a aderência estrita às regras de segurança da ferramenta. **MÁ INTERPRETAÇÃO** ou não seguimento das regras de segurança estabelecidas neste manual de instruções pode causar danos pessoais sérios.

ENC007-8

INSTRUÇÕES DE SEGURANÇA IMPORTANTES

PARA A BATERIA

1. Antes de utilizar a bateria, leia todas as instruções e etiquetas de precaução no (1) carregador de bateria (2) bateria e (3) produto que utiliza a bateria.
2. Não abra a bateria.
3. Se o tempo de funcionamento se tornar excessivamente curto, pare imediatamente a operação. Pode resultar em sobreaquecimento, possíveis queimaduras e mesmo explosão.
4. Se entrar electrólito nos seus olhos, lave-os com água limpa e consulte imediatamente um médico. Pode resultar em perda de visão.
5. Não corte-circuite a bateria:
 - (1) Não toque nos terminais com qualquer material condutor.
 - (2) Evite guardar a bateria juntamente com outros objectos metálicos tais como pregos, moedas, etc.
 - (3) Não exponha a bateria à água ou chuva.Um curto-circuito da bateria pode ocasionar um enorme fluxo de corrente, sobreaquecimento, possíveis queimaduras e mesmo avaria.
6. Não guarde a ferramenta e a bateria em locais onde a temperatura possa atingir ou exceder os 50 °C.
7. Não queime a bateria mesmo que esteja estragada ou completamente gasta. A bateria pode explodir no fogo.
8. Tenha cuidado para não deixar cair ou dar pancadas na bateria.
9. Não utilize uma bateria danificada.
10. Siga os seus regulamentos locais relativos à eliminação da bateria.

GUARDE ESTAS INSTRUÇÕES.

Conselhos para manter a máxima vida útil da bateria

1. Carregue a bateria antes que esteja completamente descarregada. Pare sempre o funcionamento da ferramenta e carregue a bateria quando notar menos potência na ferramenta.
2. Nunca carregue uma bateria completamente carregada. Carregamento excessivo diminui a vida útil da bateria.
3. Carregue a bateria à temperatura ambiente de 10°C – 40°C. Deixe que uma bateria quente arrefeça antes de a carregar.
4. Carregue a bateria uma vez a cada seis meses se não for utilizá-la por um longo período de tempo.

DESCRIÇÃO FUNCIONAL

PRECAUÇÃO:

- Certifique-se sempre de que a ferramenta está desligada e a bateria retirada antes de regular ou verificar qualquer função na ferramenta.

Instalar ou retirar o cartucho da bateria (Fig. 1)

PRECAUÇÃO:

- Desligue sempre a ferramenta antes de instalar ou retirar o cartucho da bateria.
- **Segure firmemente na ferramenta e no cartucho da bateria quando instalar ou retirar o cartucho da bateria.** Se não segurar firmemente na ferramenta e no cartucho da bateria pode dar origem a que escorreguem das suas mãos e daí resultar danos para a ferramenta e para o cartucho da bateria e ferimentos corporais.

Para retirar o cartucho da bateria, deslize-o da ferramenta enquanto desliza o botão na parte da frente do cartucho.

Para instalar o cartucho da bateria, alinhe a lingueta no cartucho da bateria com o entalhe na caixa e deslize-o para o lugar. Insira-o por completo até bloquear no lugar com um pequeno estalido. Se conseguir ver o indicador vermelho no lado superior do botão, não está bloqueado completamente.

PRECAUÇÃO:

- Instale sempre o cartucho da bateria por completo até o indicador vermelho não ser visto. Se isso não acontecer, pode cair acidentalmente da ferramenta, causando-lhe ferimentos a si ou alguém perto de si.
- Não instale o cartucho da bateria fazendo força. Se o cartucho não deslizar facilmente, não está a ser inserido correctamente.

Sistema de protecção da bateria (Fig. 2)

A ferramenta está equipada com um sistema de protecção da bateria. Este sistema corta automaticamente a corrente ao motor para aumentar a duração da bateria.

A ferramenta pára automaticamente durante a operação se a ferramenta e/ou a bateria estiverem sujeitas a uma das seguintes condições:

- Sobrecarga:

A ferramenta é operada de modo que a obriga a puxar uma corrente anormalmente elevada. Nesta situação, desligue a ferramenta e pare a aplicação que provocou a sobrecarga da ferramenta. Em seguida, ligue a ferramenta para reiniciar. Se a ferramenta não iniciar, a bateria sobreaqueceu. Nesta situação, deixe a bateria arrefecer antes de voltar a ligar a ferramenta.
- Tensão baixa da bateria:

A capacidade restante da bateria é demasiada baixa e a ferramenta não funcionará. Nesta situação, retire e recarregue a bateria.

NOTA:

- A protecção de sobreaquecimento funciona apenas com um cartucho de bateria com uma marca de estrela.

Mudança da posição da matriz (Fig. 3)

A posição do suporte da matriz pode ser mudada a 360°. Para efectuar esta mudança, proceda como se segue.

1. Desaperte a contraporca com a chave fornecida juntamente.
2. Puxe ligeiramente o suporte da matriz e rode-o para a posição desejada na qual pretende trabalhar.
3. Aperte a contraporca para prender o suporte da matriz na posição desejada.

Existem quatro paragens positivas a um ângulo de 90° cada: 0°, 90° esquerda e direita e 180°. Para posicionar a matriz em relação a qualquer destas paragens proceda como se segue:

4. Desaperte a contraporca com a chave fornecida juntamente.
5. Puxe ligeiramente o suporte da matriz e carregue suavemente enquanto o roda para a posição pretendida. O suporte da matriz travará numa das paragens positivas como pretendido.
6. Rode o suporte da matriz ligeiramente para se assegurar de que este está bem travado e na posição correcta.
7. Aperte a contraporca para prender o suporte da matriz.

Espessura de corte possível (Fig. 4)

A espessura da superfície a cortar depende da sua resistência. A ranhura do suporte da matriz serve como um comprovador da espessura permitida do corte. Não tente cortar material que não encaixe nesta ranhura.

Linha de corte

O entalhe no suporte da matriz indica a sua linha de corte. A sua largura é igual à largura de corte. Quando for efectuar o corte alinhe este entalhe com a linha de corte na peça a trabalhar.

Acção do interruptor (Fig. 5)

⚠ PRECAUÇÃO:

- Antes de inserir o cartucho da bateria na ferramenta, verifique sempre para ver se o interruptor deslizante actua correctamente e regressa à posição "OFF" (desligado) quando carregar na parte traseira do interruptor deslizante.
- O interruptor pode ser bloqueado na posição "ON" (ligado) para conforto do operador durante a utilização prolongada. Tenha cuidado ao bloquear a ferramenta na posição "ON" (ligada) e segure-a com firmeza.

Para iniciar a ferramenta, deslize o interruptor deslizante para a posição "I (ON)". Para operação contínua, carregue na parte da frente do interruptor deslizante para o bloquear.

Para parar a ferramenta, carregue na parte traseira do interruptor deslizante e depois para a posição "O (OFF)".

Luz indicadora com multifunções (Fig. 6)

As luzes indicadoras estão localizadas em duas posições.

- Sinal de substituição do cartucho da bateria

- Quando a carga da bateria estiver praticamente gasta durante a operação, a luz vermelha acende e a ferramenta pára imediatamente. Substitua a bateria por uma totalmente carregada quando a luz vermelha acender.

- Função preventiva de re-arranque accidental

- Mesmo se o cartucho da bateria estiver inserido na ferramenta com o interruptor deslizante na posição "I (ON)", a ferramenta não arranca. Nessa altura, a luz pisca lentamente e isso mostra que a função preventiva de re-arranque accidental está a funcionar.
- Para iniciar a ferramenta, primeiro deslize o interruptor deslizante para a posição "O (OFF)" e depois deslize-o para a posição "I (ON)".

ASSEMBLAGEM

⚠ PRECAUÇÃO:

- Certifique-se sempre de que a ferramenta está desligada e a bateria retirada antes de executar qualquer manutenção na ferramenta.

Remoção ou instalação do furador e da matriz (Fig. 7, 8, 9 e 10)

Substitua sempre o furador e a matriz em conjunto. Para retirar o furador e a matriz, desaperte a contraporca com a chave. Retire da máquina o suporte da matriz. Use a chave hexagonal para desapertar os parafusos que prendem a matriz. Retire a matriz do suporte. Utilize a chave hexagonal para desapertar o parafuso que prende o furador. Puxe o furador para fora do seu suporte.

Para instalar o furador e a matriz, insira o furador no seu suporte de modo a que o entalhe do furador esteja virado em direcção ao parafuso. Aperte o parafuso para segurar o furador. Instale a matriz no seu suporte. Aperte os parafusos para segurar a matriz.

Instale então na máquina o suporte da matriz de modo a que o furador fique instalado ao longo do orifício no suporte da matriz. Aperte a contraporca para prender o suporte da matriz. Após repor o furador e a matriz, lubrifique ambos com óleo de máquina e ponha ferramenta a funcionar durante algum tempo.

OPERAÇÃO

Lubrificação prévia

Coloque óleo de máquina na linha de corte para aumentar o tempo de vida útil do furador e da matriz. Isto é especialmente importante ao cortar alumínio.

Método de corte (Fig. 11)

Segure a máquina de modo a que a cabeça de corte esteja em ângulo recto (90°) relativamente à peça que vai ser cortada. Desloque a máquina suavemente na direcção de corte.

Recortes (Fig. 12)

Os recortes podem ser feitos abrindo primeiro um buraco redondo, superior a 21 mm de diâmetro, no qual a cabeça de corte pode ser inserida.

Corte das folhas metálicas trapezoidais ou onduladas (Fig. 13 e 14)

Regule a posição da matriz de modo a que esta fique virada para a direcção de corte quando efectuar cortes perpendicularmente ou em ângulo relativamente às ranhuras das folhas metálicas trapezoidais ou onduladas.

Segure sempre o corpo da máquina numa posição paralela às ranhuras, com a cabeça de corte em ângulo recto (90°) relativamente à superfície de corte como indicado na figura.

MANUTENÇÃO

PRECAUÇÃO:

- Certifique-se sempre que a ferramenta está desligada e o cartucho da bateria retirado antes de fazer a inspecção ou manutenção.
- Nunca utilize gasolina, benzina, diluente, álcool ou produtos semelhantes. Pode ocorrer a descoloração, deformação ou rachaduras.

Substituição das escovas de carvão (Fig. 15, 16 e 17)

Retire e verifique regularmente as escovas de carvão. Substitua-as quando estiverem gastas até à marca limite. Mantenha as escovas de carvão limpas e a deslizarem nos suportes. As duas escovas de carvão devem ser substituídas ao mesmo tempo. Só utilize escovas de carvão idênticas.

Inserir a parte superior da chave de fendas no entalhe da ferramenta e retire a cobertura da tampa do suporte levantando-a.

Utilize uma chave de parafusos para retirar as tampas do porta-escovas. Retire as escovas de carvão usadas, coloque as novas e prenda as tampas dos porta-escovas.

Volte a instalar a cobertura da tampa do suporte na ferramenta.

Para manter a SEGURANÇA e FIABILIDADE, as reparações e outras acções de manutenção ou ajustes devem ser executados pelos Centros de assistência autorizados da Makita, utilizando sempre peças de substituição Makita.

ACESSÓRIOS OPCIONAIS

PRECAUÇÃO:

- Estes acessórios ou peças são recomendados para utilização com a ferramenta Makita especificada neste manual. A utilização de outros acessórios ou peças pode ser perigosa para as pessoas. Utilize apenas acessórios ou peças para os fins indicados.

Se precisar de ajuda para obter mais informações relativas a estes acessórios, entre em contacto com o centro de assistência Makita local.

- Matriz
- Furador
- Chave hexagonal
- Chave 32
- Bateria e carregador genuínos da Makita

NOTA:

- Alguns itens da lista podem estar incluídos na embalagem da ferramenta como acessórios padrão. Eles podem variar de país para país.

Ruído

A característica do nível de ruído A determinado de acordo com EN60745:

Modelo DJN160

Nível de pressão de som (L_{pA}): 72 dB(A)

Variabilidade (K): 3 dB(A)

O nível de ruído durante o trabalho pode exceder 80 dB (A).

Modelo DJN161

Nível de pressão de som (L_{pA}): 73 dB(A)

Variabilidade (K): 3 dB(A)

O nível de ruído durante o trabalho pode exceder 80 dB (A).

Utilize protectores para os ouvidos

ENG900-1

Vibração

O valor total da vibração (soma vectorial tri-axial) determinado de acordo com EN60745:

Modelo DJN160

Modo de funcionamento: cortar chapa de metal

Emissão de vibração (a_{hv}): 7,0 m/s²

Variabilidade (K): 1,5 m/s²

Modelo DJN161

Modo de funcionamento: cortar chapa de metal

Emissão de vibração (a_{hv}): 6,5 m/s²

Variabilidade (K): 1,5 m/s²

ENG901-1

- O valor da emissão de vibração indicado foi medido de acordo com o método de teste padrão e pode ser utilizado para comparar duas ferramentas.
- O valor da emissão de vibração indicado pode também ser utilizado na avaliação preliminar da exposição.

AVISO:

- A emissão de vibração durante a utilização real da ferramenta eléctrica pode diferir do valor de emissão indicado, dependendo das formas como a ferramenta é utilizada.
- Certifique-se de identificar as medidas de segurança para protecção do operador que sejam baseadas em uma estimativa de exposição em condições reais de utilização (considerando todas as partes do ciclo de operação, tal como quando a ferramenta está desligada e quando está a funcionar em marcha lenta além do tempo de accionamento).

Só para países Europeus

Declaração de conformidade CE

Nós, a Makita Corporation, fabricante responsável, declaramos que a(s) seguinte(s) ferramenta(s) Makita:

Designação da ferramenta:

Tesoura Punção a Bateria

Modelos n.º/Tipo: DJN160, DJN161

são de produção de série e

Em conformidade com as seguintes directivas europeias:

2006/42/CE

E estão fabricadas de acordo com as seguintes normas ou documentos normativos:

EN60745

A documentação técnica é mantida pelo:

Makita International Europe Ltd.

Departamento técnico,

Michigan Drive, Tongwell,

Milton Keynes, Bucks MK15 8JD, Inglaterra

26.4.2012



Tomoyasu Kato

Director

Makita Corporation

3-11-8, Sumiyoshi-cho,

Anjo, Aichi, 446-8502, JAPAN

Illustrationsoversigt

1 Knap	11 Indhak	23 Skæring i ret vinkel til rillerne
2 Rød indikator	12 Skydeknop	24 Set fra siden
3 Akku	13 Indikatorlampe	25 Bølgeblik eller trapezblik
4 Stjernemærke	14 Matrice	26 Matrizen skal stå i ret vinkel (90°) på den overflade, der skæres i.
5 Matriceholder	15 Bolte	27 Grænsemærke
6 Låsemøtrik	16 Sekskantnøgle	28 Holderdæksel
7 Løsn	17 Stempel	29 Skruetrækker
8 Nøgle	18 Stempelholder	30 Kulbørsteholderdæksel
9 Måler til skæring i rustfrit stål: 1,2 mm (3/64")	19 Skrue	
10 Måler til skæring i alm. stål: 1,6 mm (1/16")	20 Stram	
	21 Set oppefra	
	22 Skæring i en vinkel til rillerne	

SPECIFIKATIONER

Model		DJN160	DJN161
Maks. snitkapacitet	Stål op til 400 N/mm ²	1,6 mm/16 ga	1,6 mm/16 ga
	Stål op til 600 N/mm ²	1,2 mm/18 ga	1,2 mm/18 ga
	Aluminium op til 200 N/mm ²	2,5 mm/12 ga	2,5 mm/12 ga
Min. snitradius	Udvendig kant	50 mm	50 mm
	Indvendig kant	45 mm	45 mm
Slag pr. minut (min ⁻¹)		1 900	1 900
Længde i alt		313 mm	313 mm
Nettovægt		2,1 kg	2,2 kg
Mærkespænding		D.C. 14,4 V	D.C. 18 V

GE028-2

- På grund af vores kontinuerlige forskningsprogrammer og udvikling, kan hosstående specifikationer blive ændret uden varsel.
- Specifikationer og akku kan variere fra land til land.
- Vægt inklusive akku, i henhold til EPTA-Procedure 01/2003

ENE037-1

Tilsigtet anvendelse

Maskinen er beregnet til skæring af pladestål og rustfrit pladestål.

GEA010-1

Almindelige sikkerhedsregler for el-værktøj

⚠ ADVARSEL! Læs alle sikkerhedsadvarsler og alle sikkerhedsinstruktioner. Hvis nedenstående advarsler og instruktioner ikke overholdes, kan resultatet blive elektrisk stød, brand og/eller alvorlig personskade.

Gem alle advarsler og instruktioner til fremtidig reference.

SIKKERHEDSADVARSLER FOR PLADESTANSER

1. Hold godt fast på maskinen.
2. Spænd emnet godt fast.
3. Hold hænderne væk fra bevægelige dele.
4. Kanter på og spåner fra emnet er skarpe. Bær handsker. Det anbefales også, at man bærer sko med tykke såler for at undgå tilskadekomst.
5. Stil ikke maskinen oven på spåner fra emnet. De kan forårsage skade på og problemer med maskinen.
6. Lad aldrig maskinen køre uden opsyn. Anvend kun maskinen, mens den holdes i hånden.
7. Sørg altid for sikkert fodfæste. Kontrollér, at der ikke opholder sig personer under arbejdsstedet, når der arbejdes i højder.
8. Rør ikke ved stemplet, matricen eller arbejdsstykket umiddelbart efter anvendelse, da de kan blive ekstremt varme og være årsag til hudforbrændinger.
9. Skær ikke i elektriske ledninger. Det kan give elektrisk stød og anledning til alvorlige uheld.

GEM DENNE BRUGSANVISNING.

⚠ ADVARSEL:

LAD IKKE bekvemmelighed eller kendskab til produktet (opnået gennem gentagen brug) forhindre, at sikkerhedsforskrifterne for produktet nøje overholdes. MISBRUG eller forsømmelse af at følge de i denne brugsvejledning givne sikkerhedsforskrifter kan føre til, at De kommer alvorligt til skade.

ENC007-8

VIGTIGE SIKKERHEDSINSTRUKTIONER

FOR AKKU

1. Læs alle instruktioner og advarselmærkater på (1) akku opladeren, (2) akku og (3) produktet, som anvender akku.
2. Lad være med at skille akkuen ad.
3. Stop straks brugen, hvis driftstiden er blevet stærkt afkortet. Fortsat anvendelse kan resultere i risiko for overophedning, forbrændinger og endog eksplosion.
4. Hvis De har fået elektrolyt i øjnene, skal De straks skylle den ud med rent vand og øjeblikkeligt søge lægehjælp. I modsat fald kan De risikere at miste synet.
5. Vær påpasselig med ikke at komme til at kortslutte akkuen:
 - (1) Rør ikke ved terminalerne med noget ledende materiale.
 - (2) Undgå at opbevare akkuen i en beholder sammen med andre genstande af metal, som for eksempel søm, mønter og lignende.
 - (3) Udsæt ikke akkuen for vand eller regn.

Kortslutning af akkuen kan være årsag til en kraftig øgning af strømmen, overophedning, mulige forbrændinger og endog maskinstop.

6. Opbevar ikke maskinen og akkuen på steder, hvor temperaturen kan nå op på eller overstige 50°C.
7. Lad være med at brænde akkuen, selv ikke i tilfælde, hvor det har lidt alvorlig skade eller er fuldstændig udtjent. Akkuen kan eksplodere, hvis man forsøger at brænde den.
8. Lad være med at brænde akkuen eller udsætte det for stød.
9. Anvend ikke en beskadiget akku.
10. Følg de lokale regler angående bortskaffelse af akkuer.

GEM DENNE BRUGSANVISNING.

Tips til opnåelse af maksimal akku-levetid

1. Oplad altid akkuen, inden den er helt afladet. Stop altid værktøjet og oplad akkuen, hvis det bemærkes, at maskineffekten er dalende.
2. Genoplad aldrig en fuldt opladet akku. Overoplading vil afkorte akkuens levetid.
3. Oplad akkuen ved en rumtemperatur på 10°C – 40°C. Lad altid en varm akku få tid til at køle af, inden den oplades.
4. Oplad akkuen en gang hver sjette måned, hvis den ikke anvendes i et længere tidsrum.

FUNKTIONSBESKRIVELSE

⚠ FORSIGTIG:

- Vær altid sikker på, at værktøjet er afbrudt og akkuen fjernet, inden De justerer eller kontrollerer funktionen af værktøjet.

Montering og afmontering af akkuen (Fig. 1)

⚠ FORSIGTIG:

- Sluk altid for værktøjet, inden De installerer eller fjerner akkuen.
- Hold godt fast i værktøjet og akkuen, når akkuen installeres eller fjernes. Forsømmelse af at holde maskinen og akkuen fast kan bevirke, at de glider af hænde med beskadigelse af maskinen og akkuen og tilskadekomst til følge.

For at fjerne akkuen, skal man skyde den fra værktøjet, idet man skyder knappen på forsiden af akkuen i stilling. For at installere akkuen, skal man sætte tungen på akkuen ud for rillen i huset og skyde den på plads. Sæt den hele vejen ind, så den låses på plads med et lille klik. Hvis den røde indikator på oversiden af knappen er synlig, betyder det, at den ikke er helt låst.

⚠ FORSIGTIG:

- Sæt altid akkuen helt ind, så den røde indikator ikke kan ses. Hvis den ikke er sat helt ind, kan den ved et uheld falde ud af værktøjet, hvorved omkringstående eller De selv kan komme til skade.
- Sæt ikke akkuen i med magt. Hvis akkuen ikke glider nemt på plads, betyder det, at den ikke sættes korrekt i.

Akkubeskyttelsessystem (Fig. 2)

Maskinen er udstyret med et akkubeskyttelsessystem. Dette system afbryder automatisk strømmen til motoren, så akkuens levetid forlænges.

Maskinen vil automatisk stoppe under anvendelsen, hvis maskinen og/eller akkuen er i en af de følgende tilstande:

- Overbelastet:

Maskinen køres på en måde, der bevirker, at den forbruger en unormalt høj strøm.

I denne situation skal De slukke for maskinen og stoppe den anvendelse, der førte til overbelastning af maskinen. Tænd derefter for maskinen for at starte den igen.

Hvis maskinen ikke starter, er det fordi akkuen er overophedet. I denne situation skal De lade akkuen køle af, inden De tænder for maskinen igen.
- Lav akku-spænding:

Den tilbageværende akku-kapacitet er for lav og maskinen vil ikke køre. Fjern i dette tilfælde akkuen og oplad den.

BEMÆRK:

- Overophedningsbeskyttelsen fungerer kun med en akku med stjernemærke.

Ændring af matricens position (Fig. 3)

Matriceholderens position kan ændres 360°. Gå frem som følger, når den skal ændres.

1. Løs låsemøtrikken med den medfølgende nøgle.
2. Træk matriceholderen et stykke ud og drej den til den ønskede arbejdsposition.
3. Spænd låsemøtrikken for at låse den i den ønskede position.

Der er fire faste positioner i 90° spring: 0°, 90° venstre og højre og 180°. For at placere matricen i en af disse stoppositioner:

4. Løsn låsemøtrikken med den medfølgende nøgle.
5. Træk matriceholderen en smule ud og tryk den en smule ned, mens den drejes til den ønskede position. Matriceholderen vil falde i hak i en af de ønskede stoppositioner.
6. Drej matriceholderen en smule for at kontrollere, at den er låst i den ønskede position.
7. Spænd låsemøtrikken for at låse matriceholderen fast.

Tilladt skæretykkelse (Fig. 4)

Tykkelsen af det materiale, der skal skæres, afhænger af selve materialets brudstyrke. Rillen på matriceholderen fungerer som måler for tykkelsen af den tilladte skæretykkelse. Forsøg ikke at skære i noget andet materiale, der ikke passer ind i denne not.

Snitlinje

Rillen i matriceholderen viser skærelinjen. Dens bredde er lig skærebredden. Sæt rillen på linje med skærelinjen på arbejdsemnet, når der skæres.

Afbryderanvendelse (Fig. 5)

⚠ FORSIGTIG:

- Inden akkuen sættes i maskinen, skal man altid kontrollere, at skydeknappen fungerer ordentligt og returnerer til "OFF"-stillingen, når bagenden af skydeknappen trykkes ned.
- Kontakten kan låses i "ON"-stillingen for at gøre det nemmere for brugeren ved længere tids brug af maskinen. Vær forsigtig, når maskinen låses i "ON"-stillingen, og hold godt fast i maskinen.

For at starte maskinen, skal man skyde skydeknappen mod stilling "I (ON)". For kontinuerlig brug skal man trykke på forsiden af skydekontakten for at låse den.

For at stoppe maskinen, skal man trykke på bagsiden af skydekontakten og derefter trykke den mod "O (OFF)"-stillingen.

Indikatorlampe med multifunktion (Fig. 6)

Indikatorlamperne sidder to steder.

- Akku-udskiftningssignal

- Når akku-effekten er næsten opbrugt under anvendelsen, vil den røde lampe lyse, og maskinen stopper øjeblikkeligt. Skift akkuen ud med en fuldt opladet akku, når den røde lampe lyser.

- Funktion for hindring af utilsigtet genstart

- Selv hvis akkuen sættes i maskinen med skydeknappen i "I (ON)"-stilling, vil maskinen ikke starte. På dette tidspunkt blinker lampen langsomt, hvilket viser, at funktionen for hindring af utilsigtet genstart er aktiveret.
- For at starte maskinen, skal man først skyde skydeknappen mod "O (OFF)"-stillingen og derefter skyde den mod "I (ON)"-stillingen.

SAMLING

⚠ FORSIGTIG:

- Sørg altid for at værktøjet er slukket, og at akkuen er taget ud, før der udføres noget arbejde på værktøjet.

Fjernelse og installation af stempet og matricen (Fig. 7, 8, 9 og 10)

Udskift altid stempel og matrice samtidigt. For at fjerne stempet og matricen, skal man løse låsemøtrikken med nøglen. Fjern matriceholderen fra maskinen. Benyt unbrakonøglen til at løsne boltene, som holder matricen fast. Fjern matricen fra matriceholderen.

Løsn skruen, der holder stempet fast, med sekskantnøglen. Træk stempet ud af stempelholderen.

For at installere stempet og matricen, skal man sætte stempet ind i stempelholderen, således at rillen i stempet vender mod skruen. Stram skruen for at fastgøre stempet. Monter matricen på matriceholderen. Stram boltene for at fastgøre matricen.

Installer derefter matriceholderen således, at stempet sættes ind gennem hullet i matriceholderen. Spænd låsemøtrikken for at låse matriceholderen fast. Når stempet og matricen er udskiftet, smøres de med maskinolie, og maskinen køres i et stykke tid.

BETJENING

Forhåndssmøring

Bestry skærelinjen med maskinolie for at forlænge stempets og matricens levetid. Dette er særlig vigtigt, når der skæres i aluminium.

Skæremetode (Fig. 11)

Hold maskinen således, at matricen er i en ret vinkel (90°) på det arbejdsemne, der skæres. Bevæg maskinen jævnt i skæreretningen.

Udskæringer (Fig. 12)

Udskæringer kan laves ved at man først åbner et rundt hul med en diameter på over 21 mm, hvor matricen kan sættes ind.

Skæring i bølgeblik eller trapezblik (Fig. 13 og 14)

Sæt matricen i en position, så den vender mod skæreretningen både når der skæres i en ret vinkel og i en vilkårlig vinkel til rillerne i bølgeblik eller trapezblik.

Hold altid maskinhuset parallelt med rillerne med matricen i en ret vinkel (90°) på skærefladen som vist på illustrationen.

VEDLIGEHOLDELSE

⚠ FORSIGTIG:

- Kontroller altid, at værktøjet er slået fra og at akkuen er fjernet, inden De udfører inspektion eller vedligeholdelse.
- Anvend aldrig benzin, rensbenzin, fortynder, alkohol og lignende. Resultatet kan blive misfarvning, deformation eller revner.

Udskiftning af kulbørsterne (Fig. 15, 16 og 17)

Tag kulbørsterne ud og efterse dem med jævne mellemrum. Skift dem ud, når de er slidt ned til grænsemærket. Hold kulbørsterne rene og i stand til frit at glide ind i holderne. Begge kulbørster skal udskiftes samtidigt. Anvend kun identiske kulbørster.

Sæt den øverste ende af en kærvskruetrækker ind i rillen på maskinen og fjern holderdækslet ved at løfte det op.

Benyt en skruetrækker til at afmontere kulbørsteholderdækslerne. Tag de slidte kulbørster ud, sæt de nye i, og fastgør derefter kulbørsteholderdækslerne.

Sæt holderdækslet tilbage på plads på maskinen.
For at opretholde produktets SIKKERHED og PÅLIDELIGHED bør reparation, vedligeholdelse og justering kun udføres af et Makita Service Center med anvendelse af original Makita udskiftningsdele.

EKSTRAUDSTYR

⚠ FORSIGTIG:

• Det følgende tilbehør og ekstraudstyr er anbefalet til brug med Deres Makita værktøjet, der er beskrevet i denne brugsanvisning. Anvendelse af andet tilbehør eller ekstraudstyr kan udgøre en risiko for personskade. Anvend kun tilbehør og ekstraudstyr til det beskrevne formål.

Hvis De har behov for yderligere detaljer om dette tilbehør, bedes De kontakte Deres lokale Makita Service Center.

- Matrice
- Stempel
- Sekskantnøgle
- Nøgle 32
- Original Makita-akku og oplader

BEMÆRK:

• Nogle ting på denne liste kan være inkluderet i værktøjspakken som standardtilbehør. Det kan være forskelligt fra land til land.

ENG905-1

Lyd

Det typiske A-vægtede støjniveau bestemt i overensstemmelse med EN60745:

Model DJN160

Lydtryksniveau (L_{pA}): 72 dB(A)

Usikkerhed (K): 3 dB(A)

Støjniveauet under arbejde kan overstige 80 dB (A).

Model DJN161

Lydtryksniveau (L_{pA}): 73 dB(A)

Usikkerhed (K): 3 dB(A)

Støjniveauet under arbejde kan overstige 80 dB (A).

Bær høreværn

ENG900-1

Vibration

Vibrations totalværdi (tre-aksial vektorsum) bestemt i overensstemmelse med EN60745:

Model DJN160

Arbejdsindstilling: klipning af plademetal

Vibrationsafgivelse (a_{hV}): 7,0 m/s²

Usikkerhed (K): 1,5 m/s²

Model DJN161

Arbejdsindstilling: klipning af plademetal

Vibrationsafgivelse (a_{hV}): 6,5 m/s²

Usikkerhed (K): 1,5 m/s²

ENG901-1

- Den angivne vibrationsemissionsværdi er blevet målt i overensstemmelse med standardtestmetoden og kan anvendes til at sammenligne et værktøj med et andet.
- Den angivne vibrationsemissionsværdi kan også anvendes i en preliminær eksponeringsvurdering.

⚠ ADVARSEL:

• Vibrationsemissionen under den faktiske anvendelse af værktøjet kan være forskellig fra den erklærede emissionsværdi, afhængigt af den måde, hvorpå værktøjet anvendes.

- Sørg for at identificere de sikkerhedsforskrifter til beskyttelse af operatøren, som er baseret på en vurdering af eksponering under de faktiske brugsforhold (med hensyntagen til alle dele i brugscyklen, som f.eks. de gange, hvor værktøjet er slukket og når den kører i tomgang i tilgift til afbrydertiden).

ENH101-16

Kun for lande i Europa

EU-konformitetserklæring

Vi, Makita Corporation, erklærer, som den ansvarlige fabrikant, at det (de) følgende Makita værktøj:

Maskinens betegnelse:

Akku-pladestanser

Model nr./ Type: DJN160, DJN161

er af serieproduktion og

Er i overensstemmelse med de europæiske direktiver:

2006/42/EC

og er fremstillet i overensstemmelse med de følgende standarder eller standardiserede dokumenter:

EN60745

Den tekniske dokumentation opbevares af:

Makita International Europe Ltd.

Teknisk Afdeling,

Michigan Drive, Tongwell,

Milton Keynes, Bucks MK15 8JD, England

26.4.2012



Tomoyasu Kato

Direktør

Makita Corporation

3-11-8, Sumiyoshi-cho,

Anjo, Aichi, 446-8502, JAPAN

Περιγραφή γενικής άποψης

1 Κομπί	11 Εγκοπή	23 Κοπή κάθεται με τις αύλακες
2 Κόκκινη ένδειξη	12 Κυλιόμενος διακόπτης	24 Πλευρική όψη
3 Κασέτα μπαταρίας	13 Ενδεικτική λυχνία	25 Κυματοειδής ή τραπεζοειδής λαμαρίνα
4 Ένδειξη αστεριού	14 Ελικωτήρας	26 Η κοπτική κεφαλή να είναι ορθογώνια (90°) στην επιφάνεια που θα κοπεί.
5 Στήριγμα ελικωτήρα	15 Μπουλόνια	27 Σημάδι ορίου
6 Παζιάδα ασφάλισης	16 Εξαγωνικό κλειδί	28 Κάλυμμα κατακίου στηρίγματος
7 Χαλάρωμα	17 Εγκρουστήρας	29 Κατσαβίδι
8 Κλειδί	18 Στήριγμα εγκρουστήρα	30 Καπάκι θήκης καρβονακίου
9 Μετρητής για ανοξειδωτο ατσάλι: 1,2 mm (3/64")	19 Βίδα	
10 Μετρητής για μαλακό ατσάλι: 1,6 mm (1/16")	20 Σφιζτε	
	21 Κάτοψη	
	22 Κοπή γωνιακά με τις αύλακες	

ΤΕΧΝΙΚΑ ΧΑΡΑΚΤΗΡΙΣΤΙΚΑ

Μοντέλο		DJN160	DJN161
Μέγ. ικανότητες κοπής	Ατσάλι μέχρι 400 N/mm ²	1,6 χιλ/16 ga	1,6 χιλ/16 ga
	Ατσάλι μέχρι 600 N/mm ²	1,2 χιλ/18 ga	1,2 χιλ/18 ga
	Αλουμίνιο μέχρι 200 N/mm ²	2,5 χιλ/12 ga	2,5 χιλ/12 ga
Ελάχιστη ακτίνα κοπής	Εξωτερική ακμή	50 χιλ	50 χιλ
	Εσωτερική ακμή	45 χιλ	45 χιλ
Διαδρομές ανά λεπτό (λεπ ⁻¹)		1.900	1.900
Συνολικό μήκος		313 χιλ	313 χιλ
Καθαρό βάρος		2,1 Χγρ	2,2 Χγρ
Ονομαστική τάση		D.C. 14,4 V	D.C. 18 V

GE028-2

- Λόγω του συνεχόμενου προγράμματος που εφαρμόζουμε για έρευνα και ανάπτυξη, τα τεχνικά χαρακτηριστικά στο παρόν έντυπο υπόκεινται σε αλλαγή χωρίς προειδοποίηση.
- Τα τεχνικά χαρακτηριστικά και η κασέτα μπαταρίας μπορεί να διαφέρουν από χώρα σε χώρα.
- Βάρος, με κασέτα μπαταρίας, σύμφωνα με τη διαδικασία ΕΡΤΑ 01/2003

ENE037-1

Προοριζόμενη χρήση

Το μηχάνημα προορίζεται για την κοπή ατσαλολαμαρίνας και ανοξειδωτής ατσαλολαμαρίνας.

GEA010-1

Γενικές προειδοποιήσεις ασφαλείας για το ηλεκτρικό εργαλείο

⚠ ΠΡΟΕΙΔΟΠΟΙΗΣΗ Διαβάστε όλες τις προειδοποιήσεις ασφαλείας και όλες τις οδηγίες. Η μη τήρηση των προειδοποιήσεων και οδηγιών ενδέχεται να καταλήξει σε ηλεκτροπληξία, πυρκαγιά ή/και σοβαρό τραυματισμό.

Φυλάξτε όλες τις προειδοποιήσεις και τις οδηγίες για μελλοντική παραπομπή.

ΠΡΟΕΙΔΟΠΟΙΗΣΕΙΣ ΑΣΦΑΛΕΙΑΣ ΓΙΑ ΤΟ ΖΟΥΜΠΟΦΑΛΙΔΟ

1. Κρατάτε το μηχάνημα σταθερά.
2. Ασφαλίστε το κομμάτι εργασίας καλά.
3. Κρατάτε τα χέρια σας μακριά από κινούμενα μέρη.
4. Αιχμές και πριονίδια από το κομμάτι εργασίας είναι αιχμηρά. Φοράτε γάντια. Ακόμη συνιστάτε να φοράτε παπούτσια με παχιές σόλες για να αποφύγετε κάποιο τραυματισμό.
5. Μην αφήνετε το μηχάνημα πάνω στα πριονίδια του κομματιού. Αλλιώς μπορεί να προκληθεί ζημιά στο μηχάνημα.
6. Μην αφήνετε το μηχάνημα να λειτουργεί. Χρησιμοποιείτε το μηχάνημα μόνο όταν το κρατάτε.
7. Πάντοτε να πατάτε καλά.
Να είστε σίγουροι ότι κανείς δεν βρίσκεται από κάτω σας όταν χρησιμοποιείτε το μηχάνημα σε ψηλές θέσεις.
8. Μην αγγίζετε τον εγκρουστήρα, τον ελικωτήρα ή το τεμάχιο εργασίας αμέσως μετά από την ολοκλήρωση της εργασίας, ενδέχεται να είναι εξαιρετικά θερμά και να προκαλέσουν έγκαυμα στο δέρμα σας.
9. Αποφεύγετε να κόβετε ηλεκτρικά καλώδια. Μπορεί να προκαλέσει σοβαρή ηλεκτροπληξία.

ΦΥΛΑΞΤΕ ΤΙΣ ΟΔΗΓΙΕΣ ΑΥΤΕΣ.

⚠ ΠΡΟΕΙΔΟΠΟΙΗΣΗ:

ΜΗΝ επιτρέψετε στην άνεση ή στην εξοικείωσή σας με το προϊόν (που αποκτήθηκε από επανειλημμένη χρήση) να αντικαταστήσει την αυστηρή τήρηση των κανόνων ασφαλείας του παρόντος εργαλείου. **ΚΑΚΗ ΧΡΗΣΗ** ή αμέλεια να ακολουθήσετε τους κανόνες ασφαλείας που διατυπώνονται σ'αυτό το εγχειρίδιο οδηγιών μπορεί να προκαλέσει σοβαρό προσωπικό τραυματισμό.

ENC007-8

ΣΗΜΑΝΤΙΚΕΣ ΟΔΗΓΙΕΣ ΓΙΑ ΤΗΝ ΑΣΦΑΛΕΙΑ

ΓΙΑ ΤΗΝ ΚΑΣΕΤΑ ΜΠΑΤΑΡΙΑΣ

1. Πριν χρησιμοποιήσετε την κασέτα μπαταρίας, διαβάστε όλες τις οδηγίες και σημειώσεις προφυλάξης (1) στον φορτιστή μπαταρίας, (2) στην μπαταρία και (3) στο προϊόν που χρησιμοποιεί την μπαταρία.
2. Μην αποσυρμολογήσετε την κασέτα μπαταρίας.
3. Αν ο χρόνος λειτουργίας έχει γίνει υπερβολικά σύντομος, σταματήστε αμέσως τη λειτουργία. Αλλιώς, μπορεί να έχει ως αποτέλεσμα κίνδυνο υπερθέρμανσης, πιθανά εγκαύματα ή ακόμη και έκρηξη.
4. Αν ηλεκτρολύτης μπει στα μάτια σας, ξεπλύνετε τα με καθαρό νερό και ζητήστε ιατρική φροντίδα αμέσως. Αλλιώς, μπορεί να έχει ως αποτέλεσμα απώλεια της όρασής σας.
5. Μην βραχυκυκλώνετε την κασέτα μπαταρίας:
 - (1) Μην αγγίζετε τους πόλους με οτιδήποτε αγώγιμο υλικό.
 - (2) Αποφεύγετε να αποθηκεύετε την κασέτα μπαταρίας μέσα σε ένα δοχείο μαζί με άλλα μεταλλικά αντικείμενα όπως καρφιά, νομίσματα, κλπ.
 - (3) Μην εκθέτετε την κασέτα μπαταρίας στο νερό ή στη βροχή.

Ένα βραχυκύκλωμα μπαταρίας μπορεί να προκαλέσει μεγάλη ροή ρεύματος, υπερθέρμανση, πιθανά εγκαύματα ακόμη και σοβαρή βλάβη.

6. Μην αποθηκεύετε το εργαλείο και την κασέτα μπαταρίας σε τοποθεσίες όπου η θερμοκρασία μπορεί να φτάσει ή να ξεπεράσει τους 50°C.
7. Μην καίτε την κασέτα μπαταρίας ακόμη και εάν έχει σοβαρή ζημιά ή είναι εντελώς φθαρμένη. Η κασέτα μπαταρίας μπορεί να εκραγεί στην φωτιά.
8. Προσέχετε να μη ρίξετε κάτω ή χτυπήσετε την μπαταρία.
9. Μην χρησιμοποιείτε μπαταρία που έχει υποστεί ζημιά.
10. Τηρήστε τους τοπικούς κανονισμούς που σχετίζονται με τη διάθεση της μπαταρίας.

ΦΥΛΑΞΤΕ ΤΙΣ ΟΔΗΓΙΕΣ ΑΥΤΕΣ.

Συμβουλές για διατήρηση μέγιστης ζωής μπαταρίας

1. Φορτίζετε την κασέτα μπαταρίας πριν από την πλήρη αποφόρτιση της. Πάντοτε σταματάτε την λειτουργία του εργαλείου και φορτίζετε την κασέτα μπαταρίας όταν παρατηρείτε μειωμένη ισχύ εργαλείου.

2. Ποτέ μην επαναφορτίζετε μία πλήρως φορτισμένη κασέτα μπαταρίας. Υπερφόρτιση μειώνει την ωφέλιμη ζωή της μπαταρίας.
3. Να φορτίζετε την κασέτα μπαταρίας σε θερμοκρασία δωματίου, δηλαδή στους 10°C – 40°C. Αφήστε μία θερμή κασέτα μπαταρίας να κρυώσει πριν την φορτίσετε.
4. Φορτίστε την κασέτα μπαταρίας μία φορά κάθε έξι μήνες εάν δεν τη χρησιμοποιείτε για μεγάλη χρονική περίοδο.

ΠΕΡΙΓΡΑΦΗ ΛΕΙΤΟΥΡΓΙΑΣ

⚠ ΠΡΟΣΟΧΗ:

• Να φροντίζετε πάντα για την απενεργοποίηση του εργαλείου και την αφαίρεση της κασέτας μπαταρίας, πριν από οποιαδήποτε ρύθμιση ή έλεγχο της λειτουργίας του.

Τοποθέτηση ή αφαίρεση της κασέτας μπαταρίας (Εικ. 1)

⚠ ΠΡΟΣΟΧΗ:

- Πάντοτε να σβήνετε το εργαλείο πριν τοποθετήσετε ή αφαιρέσετε την κασέτα μπαταρίας.
- Κρατήστε το εργαλείο και την κασέτα μπαταρίας σταθερά κατά την τοποθέτηση ή αφαίρεση της κασέτας μπαταρίας. Αν δεν κρατάτε το εργαλείο και την κασέτα μπαταρίας σταθερά μπορεί γλιστρήσουν από τα χέρια σας και να προκληθεί βλάβη στο εργαλείο και την κασέτα μπαταρίας και προσωπικός τραυματισμός.

Για να αφαιρέσετε την κασέτα μπαταρίας, ολισθήστε την από το εργαλείο ενώ σύρετε το κουμπί στο μπροστινό μέρος της κασέτας.

Για να τοποθετήσετε την κασέτα μπαταρίας, ευθυγραμμίστε τη γλώσσα στην κασέτα μπαταρίας με την αύλακα στην υποδοχή και ολισθήστε τη στη θέση της. Την τοποθετείτε πλήρως μέχρι να ασφαλίσει στη θέση της, γεγονός που υποδεικνύεται με ένα χαρακτηριστικό ήχο. Αν μπορείτε να δείτε την κόκκινη ένδειξη στην επάνω πλευρά του κουμπιού, δεν έχει κλειδώσει τελείως.

⚠ ΠΡΟΣΟΧΗ:

- Να τοποθετείτε πάντα την κασέτα μπαταρίας πλήρως μέχρι να μην βλέπετε την κόκκινη ένδειξη. Σε αντίθετη περίπτωση, μπορεί να πέσει κατά λάθος από το εργαλείο και να τραυματίσει εσάς ή κάποιον παρευρισκόμενο.
- Μην τοποθετείτε την κασέτα μπαταρίας με βία. Αν η κασέτα δεν εισέρχεται με ευκολία, δεν είναι τοποθετημένη σωστά.

Σύστημα προστασίας μπαταρίας (Εικ. 2)

Το εργαλείο είναι εξοπλισμένο με σύστημα προστασίας της μπαταρίας. Αυτό το σύστημα αποκόπτει αυτόματα την ισχύ προς το μοτέρ για να παραταθεί η διάρκεια λειτουργίας της μπαταρίας.

Το εργαλείο σταματάει αυτόματα κατά τη διάρκεια της λειτουργίας αν το εργαλείο ή/και η μπαταρία βρεθούν κάτω από τις παρακάτω συνθήκες:

- Υπερφόρτωση:

Το εργαλείο λειτουργεί με τρόπο ώστε να αναγκάζεται να καταναλώνει ασυνήθιστα υψηλό ρεύμα.

Σε αυτή την περίπτωση, απενεργοποιήστε το εργαλείο και διακόψτε την εφαρμογή που προκάλεσε την υπερφόρτωση του εργαλείου. Μετά, ενεργοποιήστε το για να ξεκινήσετε ξανά.

Αν το εργαλείο δεν ξεκινάει, η μπαταρία έχει υπερθερμανθεί. Σε αυτή την κατάσταση, αφήστε την μπαταρία να ψυχθεί πριν ενεργοποιήσετε ξανά το εργαλείο.

• Χαμηλή τάση μπαταρίας:

Η υπόλοιπη χωρητικότητα μπαταρίας είναι πολύ χαμηλή και το εργαλείο δεν λειτουργεί. Σε αυτή την κατάσταση, αφαιρέστε και επαναφορτίστε την μπαταρία.

ΠΑΡΑΤΗΡΗΣΗ:

• Η προστασία υπερθέρμανσης λειτουργεί μόνο με κασέτα μπαταρίας με ένδειξη αστεριού.

Αλλαγή της θέσης ελικωτήρα (Εικ. 3)

Η θέση του στηρίγματος ελικωτήρα μπορεί να αλλάξει κατά 360°. Για να την αλλάξετε, συνεχίστε όπως περιγράφεται στη συνέχεια.

1. Χαλαρώστε το παξιμάδι ασφάλισης με το κλειδί που παρέχεται.

2. Τραβήξτε λίγο το στηρίγμα ελικωτήρα και περιστρέψτε το στην επιθυμητή θέση για λειτουργία.

3. Σφίξτε το παξιμάδι ασφάλισης για να ασφαλίσετε το στηρίγμα ελικωτήρα στην επιθυμητή θέση.

Υπάρχουν τέσσερα θετικά στοπ σε κάθε 90°: 0°, 90° αριστερά και δεξιά και 180°. Για να τοποθετήσετε τον ελικωτήρα σε οποιοδήποτε από αυτά τα θετικά στοπ:

4. Χαλαρώστε το παξιμάδι ασφάλισης με το κλειδί που παρέχεται.

5. Τραβήξτε λίγο το στηρίγμα ελικωτήρα και πατήστε ελαφρά ενώ το περιστρέψετε στην επιθυμητή θέση. Το στηρίγμα ελικωτήρα θα ασφαλίσει σε μία από τις θέσεις θετικού στοπ, όπως επιθυμείτε.

6. Περιστρέψτε λίγο το στηρίγμα ελικωτήρα για να βεβαιωθείτε ότι έχει ασφαλίσει θετικά στη θέση του.

7. Σφίξτε το παξιμάδι ασφάλισης για να ασφαλίσετε το στηρίγμα ελικωτήρα.

Επιτρεπτό πάχος κοπής (Εικ. 4)

Το πάχος του υλικού που θα κοπεί εξαρτάται από την εκτακτική δύναμη του ίδιου του υλικού. Η αύλακα στο στηρίγμα ελικωτήρα ενεργεί ως μετρητής πάχους για το επιτρεπτό πάχος κοπής. Μην επιχειρήσετε να κόψετε οποιοδήποτε υλικό δεν ταιριάζει σε αυτή την αύλακα.

Γραμμή κοπής

Η εγκοπή στο στηρίγμα ελικωτήρα υποδεικνύει τη γραμμή κοπής. Το πλάτος της είναι ίσο με το πλάτος κοπής. Κατά την κοπή, ευθυγραμμίστε την εγκοπή με τη γραμμή κοπής στο τεμάχιο εργασίας.

Λειτουργία διακόπτη (Εικ. 5)

⚠ ΠΡΟΣΟΧΗ:

- Πριν βάλετε την μπαταρία στο εργαλείο, να ελέγχετε πάντοτε ότι ο κυλιόμενος διακόπτης ενεργοποιείται σωστά και επιστρέφει στη θέση "OFF" όταν πιέζετε το πίσω μέρος του κυλιόμενου διακόπτη.
- Ο διακόπτης μπορεί να ασφαλιστεί στη θέση "ON" προς διευκόλυνση του χειριστή στη διάρκεια παρατεταμένης χρήσης. Να είστε προσεκτικοί όταν ασφαλίσετε το εργαλείο στη θέση "ON" και να κρατάτε το εργαλείο σταθερά.

Για να ξεκινήσετε τη λειτουργία του εργαλείου, ολισθήστε τον κυλιόμενο διακόπτη στη θέση "I (ON)". Για συνεχή λειτουργία, πιέστε το μπροστινό μέρος του κυλιόμενου διακόπτη για να τον ασφαλίσετε.

Για να σταματήσει το εργαλείο, πιέστε το πίσω μέρος του κυλιόμενου διακόπτη και κατόπιν ολισθήστε τον στη θέση "O (OFF)".

Ενδεικτική λυχνία με πολλαπλή λειτουργία

(Εικ. 6)

Οι ενδεικτικές λυχνίες είναι τοποθετημένες σε δύο θέσεις.

- Σήμα αλλαγής μπαταρίας

- Όταν η ενέργεια της μπαταρίας έχει σχεδόν εξαντληθεί κατά τη λειτουργία, ανάβει η κόκκινη λυχνία και διακόπεται αμέσως η λειτουργία του εργαλείου. Όταν ανάψει η κόκκινη λυχνία, αντικαταστήστε την μπαταρία με μια πλήρως φορτισμένη μπαταρία.

- Λειτουργία αποφυγής τυχαίας επανεκκίνησης

- Ακόμα κι αν η μπαταρία έχει τοποθετηθεί στο εργαλείο και ο κυλιόμενος διακόπτης βρίσκεται στη θέση "I (ON)", η λειτουργία του εργαλείου δεν ξεκινά. Τώρα, η ενδεικτική λυχνία αναβοβλίνει αργά και αυτό σημαίνει ότι η λειτουργία αποφυγής τυχαίας εκκίνησης είναι σε λειτουργία.

- Για να ξεκινήσετε τη λειτουργία του εργαλείου, πρώτα ολισθήστε τον κυλιόμενο διακόπτη στη θέση "O (OFF)" και κατόπιν ολισθήστε τον στη θέση "I (ON)".

ΣΥΝΑΡΜΟΛΟΓΗΣΗ

⚠ ΠΡΟΣΟΧΗ:

- Πάντοτε βεβαιώνετε ότι το εργαλείο είναι σβηστό και η κασέτα μπαταρίας έχει αφαιρεθεί πριν εκτελέσετε κάποια εργασία στο εργαλείο.

Αφαίρεση ή τοποθέτηση του εγκρουστήρα και ελικωτήρα (Εικ. 7, 8, 9 και 10)

Να αντικαταστήσετε τον εγκρουστήρα και το ελικωτήρα ως σύνολο. Για να αφαιρέσετε τον εγκρουστήρα και ελικωτήρα, χαλαρώστε το παξιμάδι ασφάλισης με το κλειδί. Αφαιρέστε το στηρίγμα ελικωτήρα από το εργαλείο. Χρησιμοποιήστε το εξαγωνικό κλειδί για να χαλαρώσετε τα μπουλόνια που ασφαλίζουν τον ελικωτήρα. Αφαιρέστε τον ελικωτήρα από το στηρίγμα ελικωτήρα.

Χρησιμοποιήστε το εξαγωνικό κλειδί για να χαλαρώσετε τη βίδα που ασφαλίζει τον εγκρουστήρα. Τραβήξτε τον εγκρουστήρα από το στηρίγμα εγκρουστήρα.

Για να τοποθετήσετε τον εγκρουστήρα και ελικωτήρα, εισάγετε τον εγκρουστήρα στο στηρίγμα εγκρουστήρα ώστε η εγκοπή στον εγκρουστήρα να είναι στραμμένη προς τη βίδα. Σφίξτε τη βίδα για να ασφαλίσετε τον εγκρουστήρα. Τοποθετήστε τον ελικωτήρα από το στηρίγμα ελικωτήρα. Σφίξτε τα μπουλόνια για να ασφαλίσετε τον ελικωτήρα.

Μετά, τοποθετήστε το στηρίγμα ελικωτήρα στο εργαλείο ώστε ο εγκρουστήρας να έχει εισαχθεί μέσα από την οπή στο στηρίγμα ελικωτήρα. Σφίξτε το παξιμάδι ασφάλισης για να ασφαλίσετε το στηρίγμα ελικωτήρα. Αφού τοποθετήσετε ξανά τον εγκρουστήρα και ελικωτήρα, λιπάνετε τα με λάδι μηχανής και θέστε το εργαλείο σε λειτουργία για μελ.

ΛΕΙΤΟΥΡΓΙΑ

Προλίπανση

Επικαλύψτε τη γραμμή κοπής με λάδι μηχανής για να αυξήσετε τη διάρκεια ζωής λειτουργίας του εγκρουστήρα και ελικωτήρα. Αυτό είναι ιδιαίτερα σημαντικό όταν κόβετε αλουμίνιο.

Μέθοδος κοπής (Εικ. 11)

Κρατήστε το εργαλείο ώστε η κοπτική κεφαλή να βρίσκεται σε ορθή γωνία (90°) με το τεμάχιο εργασίας που θα κοπεί. Μετακινήστε το εργαλείο σιγά προς την κατεύθυνση κοπής.

Αποκοπές (Εικ. 12)

Μπορείτε να δημιουργήσετε αποκοπές αν πρώτα ανοίξετε μια στρωγγυλή οπή με διάμετρο άνω των 21 χιλιοστών, μέσα στην οποία μπορείτε να τοποθετήσετε την κοπτική κεφαλή.

Κοπή κυματοειδών ή τραπεζοειδών λαμαρινών (Εικ. 13 και 14)

Τοποθετήστε τη θέση ελικωτήρα με τρόπο ώστε να είναι στραμμένη προς την κατεύθυνση κοπής, όταν γίνεται κοπή σε γωνία ή κάθετα στις εγκοπές σε κυματοειδείς ή τραπεζοειδείς λαμαρίνες.

Να κρατάτε πάντα το βασικό τμήμα του εργαλείου παράλληλα προς τις εγκοπές, με την κοπτική κεφαλή σε ορθή γωνία (90°) ως προς την επιφάνεια κοπής, όπως απεικονίζεται στην εικόνα.

ΣΥΝΤΗΡΗΣΗ

⚠ ΠΡΟΣΟΧΗ:

- Να φροντίζετε πάντα για την απενεργοποίηση του εργαλείου και την αφαίρεση της κασέτας μπαταρίας πριν επιχειρήσετε οποιονδήποτε έλεγχο ή συντήρηση του εργαλείου.
- Μην χρησιμοποιείτε ποτέ βενζίνη, πετρελαϊκό αιθέρα, διαλυτικό, αλκοόλη ή παρόμοιες ουσίες. Ενδέχεται να προκληθεί αποχρωματισμός παραμόρφωση ή ρωγμές.

Αντικατάσταση των καρβουνακίων (Εικ. 15, 16 και 17)

Αφαιρείτε και ελέγχετε τα καρβουνάκια τακτικά. Αντικαθιστάτε όταν φθαρούν μέχρι το σημάδι ορίου. Διατηρείτε τα καρβουνάκια καθαρά και ελεύθερα να γλιστρούν στις θήκες. Και τα δύο καρβουνάκια πρέπει να αντικαθίστανται ταυτόχρονα. Χρησιμοποιείτε μόνο καρβουνάκια ίδιου τύπου.

Τοποθετήστε την άκρη ενός πλακέ κατασβιδιού μέσα στην εγκοπή του εργαλείου και σηκώστε το κάλυμμα κατακτιού στηρίγματος για να το βγάλετε.

Χρησιμοποιήστε ένα κατασβιδι για να αφαιρέσετε τα καπάκια των θηκών καρβουνακίων. Βγάλτε τα φθαρμένα καρβουνάκια, τοποθετήστε τα νέα και ασφαλίστε τα καπάκια των θηκών καρβουνακίων.

Τοποθετήστε ξανά το κάλυμμα κατακτιού στηρίγματος στο εργαλείο.

Για την διατήρηση της ΑΣΦΑΛΕΙΑΣ και ΑΞΙΟΠΙΣΤΙΑΣ του προϊόντος, επισκευές, οποιαδήποτε άλλη συντήρηση ή ρύθμιση πρέπει να εκτελούνται από τα Εξουσιοδοτημένα Κέντρα Εξυπηρέτησης της Makita, με χρήση πάντοτε ανταλλακτικών Makita.

ΠΡΟΑΙΡΕΤΙΚΑ ΕΞΑΡΤΗΜΑΤΑ

⚠ ΠΡΟΣΟΧΗ:

- Αυτά τα ανταλλακτικά ή προσαρτήματα συνιστώνται για χρήση με το εργαλείο σας της Makita που περιγράφεται στο εγχειρίδιο αυτό. Η χρήση οτιδήποτε άλλων ανταλλακτικών ή προσαρτημάτων μπορεί να παρουσιάσουν κίνδυνο τραυματισμού σε άτομα. Χρησιμοποιήστε ανταλλακτικά ή προσαρτήματα μόνο για τον καθορισμένο σκοπό.

Εάν χρειάζεστε βοήθεια ή περισσότερες λεπτομέρειες σε σχέση με αυτά τα ανταλλακτικά, ρωτήστε το τοπικό σας Κέντρο Εξυπηρέτησης της Makita.

- Ελικωτήρας
- Εγκρουστήρας
- Εξαγωνικό κλειδί
- Κλειδί 32
- Γνήσια μπαταρία και φορτιστής της Makita

ΠΑΡΑΤΗΡΗΣΗ:

- Μερικά στοιχεία στη λίστα μπορεί να συμπεριλαμβάνονται στη συσκευασία εργαλείου ως στάνταρ εξαρτήματα. Μπορεί να διαφέρουν ανάλογα με τη χώρα.

ENG905-1

Θόρυβος

Το τυπικό A επίπεδο μετρημένου θορύβου καθορίζεται σύμφωνα με το EN60745:

Μοντέλο DJN160

Στάθμη πίεσης ήχου (L_{pA}): 72 dB(A)

Αβεβαιότητα (K): 3 dB(A)

Η ένταση ήχου υπό συνθήκες εργασίας μπορεί να υπερβεί τα 80 dB(A).

Μοντέλο DJN161

Στάθμη πίεσης ήχου (L_{pA}): 73 dB(A)

Αβεβαιότητα (K): 3 dB(A)

Η ένταση ήχου υπό συνθήκες εργασίας μπορεί να υπερβεί τα 80 dB(A).

Φοράτε ωτοασπίδες

ENG900-1

Κραδασμός

Η ολική τιμή δόνησης (άθροισμα τρι-αξονικού διανύσματος) καθορίζεται σύμφωνα με το EN60745:

Μοντέλο DJN160

Είδος εργασίας: κοπή μεταλλικών φύλλων

Κραδασμοί (a_{h1}): 7,0 m/s²

Αβεβαιότητα (K): 1,5 m/s²

Μοντέλο DJN161

Είδος εργασίας: κοπή μεταλλικών φύλλων

Κραδασμοί (a_{h1}): 6,5 m/s²

Αβεβαιότητα (K): 1,5 m/s²

ENG901-1

- Η δηλωμένη τιμή εκπομπής κραδασμών έχει μετρηθεί σύμφωνα με την πρότυπη μέθοδο δοκιμής και μπορεί να χρησιμοποιηθεί για τη σύγκριση ενός εργαλείου με άλλο.
- Η δηλωμένη τιμή εκπομπής κραδασμών μπορεί να χρησιμοποιηθεί και στην προκαταρκτική αξιολόγηση έκθεσης.

⚠ ΠΡΟΕΙΔΟΠΟΙΗΣΗ:

- Η εκπομπή κραδασμών κατά τη χρήση του ηλεκτρικού εργαλείου σε πραγματικές συνθήκες μπορεί να διαφέρει από τη δηλωμένη τιμή εκπομπής ανάλογα με τον τρόπο χρήσης του εργαλείου.
- Φροντίστε να λάβετε τα κατάλληλα μέτρα προστασίας του χειριστή βάσει υπολογισμού της έκθεσης σε πραγματικές συνθήκες χρήσης (λαμβάνοντας υπόψη όλες τις συνιστώσες του κύκλου λειτουργίας όπως τους χρόνους που το εργαλείο είναι εκτός λειτουργίας και όταν βρίσκεται σε αδρανή λειτουργία πέραν του χρόνου ενεργοποίησης).

ENH101-16

Μόνο για χώρες της Ευρώπης

Δήλωση Συμμόρφωσης ΕΚ

Η Makita Corporation, ως ο υπεύθυνος κατασκευαστής, δηλώνει ότι το/τα ακόλουθο(α) μηχάνημα(τα) της Makita:

Χαρακτηρισμός μηχανήματος:

Ζουμποξάλιδο μπαταρίας

Αρ. μοντέλου/ Τύπος: DJN160, DJN161

είναι εν σειρά παραγωγή και

Συμμορφώνονται με τις ακόλουθες Ευρωπαϊκές Οδηγίες:

2006/42/ΕΚ

και κατασκευάζονται σύμφωνα με τα ακόλουθα πρότυπα ή έγγραφα τυποποίησης:

EN60745

Το τεχνικό πληροφοριακό υλικό διατηρείται από:

Makita International Europe Ltd.

Technical Department (Τεχνικό τμήμα),

Michigan Drive, Tongwell,

Milton Keynes, Bucks MK15 8JD, England (Αγγλία)

26.4.2012



Tomoyasu Kato

Διευθυντής

Makita Corporation

3-11-8, Sumiyoshi-cho,

Anjo, Aichi, 446-8502, JAPAN

Genel görünüşün açıklanması

1 Düğme	11 Çentik	22 Oluklara açılı yapacak şekilde kesme
2 Kırmızı gösterge	12 Sürgülü anahtar	23 Oluklara dik olarak kesme
3 Batarya kartuşu	13 Gösterge lambası	24 Yandan görünüm
4 Yıldız işareti	14 Lokma	25 Oluklu ya da trapezoid biçimli saçların kesilmesi
5 Lokma tutucusu	15 Cıvatalar	26 Kesme kafası kesim yüzeyi ile dik açı (90°) yapmalıdır.
6 Kilit somunu	16 Altıgen anahtar	27 Limit işareti
7 Gevşet	17 Zimba	28 Tutucu kapağı
8 Anahtar	18 Zimba tutucusu	29 Tornavida
9 Paslanmaz çelik kesmek için master: 1,2 mm (3/64")	19 Vida	30 Fırça yuvası kapağı
10 Yumuşak çelik kesmek için master: 1,6 mm (1/16")	20 Sıkıştır	
	21 Üstten görünüm	

ÖZELLİKLER

Model		DJN160	DJN161
Maks. kesme kapasiteleri	Çelik en çok 400 N/mm ²	1,6 mm/16 ga	1,6 mm/16 ga
	Çelik en çok 600 N/mm ²	1,2 mm/18 ga	1,2 mm/18 ga
	Alüminyum en çok 200 N/mm ²	2,5 mm/12 ga	2,5 mm/12 ga
Min. kesme çapı	Dış kenar	50 mm	50 mm
	İç kenar	45 mm	45 mm
Dakikada vuruş (dak ⁻¹)		1.900	1.900
Toplam uzunluk		313 mm	313 mm
Net ağırlık		2,1 kg	2,2 kg
Anma voltajı		D.C. 14,4 V	D.C. 18 V

- Sürekli yapılan araştırma ve geliştirmelerden dolayı, burada belirtilen özellikler önceden bildirilmeksizin değiştirilebilir.
- Özellikler ve batarya kartuşu ülkeden ülkeye değişebilir.
- EPTA-Prosedürü 01/2003 uyarınca, batarya kartuşu dahil, ağırlık

ENE037-1

Kullanım amacı

Bu aletin kullanım amacı çelik ve paslanmaz çelik sac kesmektir.

GEA010-1

Genel Elektrikli Alet Güvenliği

⚠ UYARI! Tüm güvenlik uyarılarını ve tüm talimatları okuyun. Uyarılara ve talimatlara uyulmaması elektrik şoku, yangın ve/veya ciddi yaralanmalar ile sonuçlanabilir.

Tüm uyarıları ve talimatları ilerde başvurmak için saklayın.

NİBLER GÜVENLİK UYARILARI

1. **Makinayı sıkıca tutun.**
2. **İş parçasını sağlamca tespit edin.**
3. **Dönen parçalardan elinizi uzak tutun.**
4. **İş parçasının kenarları ve yongaları keskindir. Eldiven kullanın. Ayrıca yaralanmayı önlemek için, kalın tabanlı ayakkabılar giymeniz de tavsiye edilir.**
5. **Makinayı iş parçasının yongalarının üzerine koymayın. Aksi halde makinada arıza veya probleme sebep olabilir.**
6. **Makinayı çalışır halde bırakmayın. Makinayı sadece elinizde iken çalıştırın.**
7. **Yere her zaman sağlam bastığınızdan emin olun. Makinayı yüksek yerlerde kullanırken, aşağıda kimsenin olmadığından emin olun.**
8. **Kullanımdan hemen sonra zimbaya, lokmaya veya iş parçasına dokunmayın; çok sıcak olabilirler ve cildinizi yakabilirler.**
9. **Elektrik kablolarını kesmeyin. Elektrik çarpmasıyla ciddi kazaya sebep olabilir.**

BU TALİMATLARI SAKLAYIN.

GEB028-2

⚠ UYARI:

Ürünü kullanırken (defalarca kullanınca kazanılan) rahatlık ve tanıdıklık duygusunun ilgili ürünün güvenlik kurallarına sıkı sıkıya bağlı kalmanın yerine geçmesine İZİN VERMEYİN. YANLIŞ KULLANIM veya bu kullanma kılavuzunda belirtilen emniyet kurallarına uymama ciddi yaralanmaya neden olabilir.

ENC007-8

ÖNEMLİ GÜVENLİK TALİMATLARI

BATARYA KARTUŞU İÇİN

1. Batarya kartuşunu kullanmadan önce, tüm talimatları ve (1) batarya şarj aleti, (2) batarya ve (3) bataryası kullanan alet üstündeki tüm uyarıları okuyun.
2. Batarya kartuşunu sökmeyin.
3. Çalışma süresi aşırı derecede kısalmışsa kullanmayı derhal bırakın. Aşırı ısınma, yanma riski hatta patlamaya neden olabilir.
4. Gözünüze elektrolit kaçarsa, gözlerinizi temiz suyla durulayın ve hemen tıbbi yardım alın. Görme kaybına yol açabilir.
5. Batarya kartuşunu kısa devre yaptırmayın:
 - (1) Terminallere herhangi bir iletken madde deędirmeyin.
 - (2) Batarya kartuşunu çiviler, madeni paralar, vb. gibi başka metal nesnelere aynı kaba koymaktan kaçının.
 - (3) Batarya kartuşunu yağmura ya da suya maruz bırakmayın.

Bataryada bir kısa devre büyük bir elektrik akımına, aşırı ısınmaya, olası yanıklara ve hatta bir bozulmaya neden olabilir.

6. Aleti ve batarya kartuşunu sıcaklığın 50°C'yi geçtięi ortamlarda saklamayın.
7. Batarya kartuşunu ciddi hasar görmüş ya da tamamen kullanılmaz hale gelmiş olsa bile ateşe atmayın. Batarya kartuşu ateşin içinde patlayabilir.
8. Bataryası düşürmemeye ya da darbe almamasına dikkat edin.
9. Zarar gören bataryası kullanmayın.
10. Bataryanın elden çıkarılması ile ilgili yerel düzenlemelere uyunuz.

BU TALİMATLARI SAKLAYIN.

Maksimum batarya ömrünü koruma için tavsiyeler

1. Batarya kartuşunu tamamen boşalmadan şarj edin.
Aletin gücünün zayıfladığını fark ettiğiniz zaman daima kullanmayı durdurarak batarya kartuşunu şarj edin.
2. Tam şarjlı bir batarya kartuşunu asla tekrar şarj etmeyin.
Fazla şarj etme bataryanın kullanım ömrünü kısaltır.
3. Batarya kartuşunu 10°C – 40°C oda sıcaklığında şarj edin. Sıcak bir batarya kartuşunu şarj etmeden önce soğumasını bekleyin.
4. Uzun bir süre kullanmadığınız durumlarda batarya kartuşunu altı ayda bir şarj edin.

İŞLEVSEL AÇIKLAMALAR

⚠ DİKKAT:

- Alet üzerinde ayarlama ya da işleyiş kontrolü yapmadan önce aletin kapalı ve batarya kartuşunun çıkartılmış olduğundan daima emin olun.

Batarya kartuşunun takılması ve çıkarılması (Şek. 1)

⚠ DİKKAT:

- Batarya kartuşunu takmadan ya da çıkarmadan önce aleti daima kapatın.
- Batarya dönüştürücüyü takarken veya çıkarırken aleti ve batarya dönüştürücünün sıkıca tutulmaması bunların düşürülmesine ve zarar görmesine ya da ciddi yaralanmalara sebep olabilir.

Batarya kartuşunu çıkarmak için, kartuşun ön tarafındaki düğmeyi kaydırarak kartuşu aletten çıkarın.

Batarya kartuşunu takmak için, batarya kartuşu üzerindeki dili yuvanın çentięi ile hizalayın ve yerine oturtun. Haff bir tık sesi duyulana kadar itip yerine tam oturmasını sağlayın. Düğmenin üst tarafındaki kırmızı gösterge görünüyorsa tam yerine kilitlenmemiş demektir.

⚠ DİKKAT:

- Batarya kartuşunu daima kırmızı gösterge görünmeyecek şekilde tam olarak takın. Yerine tam oturmazsa, aletten yanlışlıkla düşebilir, sizin ya da çevrenizdeki kişilerin yaralanmasına neden olabilir.
- Batarya kartuşunu zorlayarak takmayın. Kartuş kolay bir şekilde kaymıyorsa doğru yerleştirilmemiş demektir.

Batarya koruma sistemi (Şek. 2)

Alet bir batarya konuma sistemi ile donatılmıştır. Bu sistem motora giden gücü otomatik olarak keserek uzun batarya ömrü sağlar.

Alet ve/veya batarya için aşağıdaki durumlardan biri söz konusu olduğunda aletin işleyişi otomatik olarak durur.

- Aşırı yüklenme:
Alet, anormal derecede yüksek akım çekmesine neden olacak şekilde kullanılmaktadır.
Bu durumda, aleti kapalı duruma getirin ve aletin aşırı yüklenmesine neden olan uygulamayı durdurun. Ardından aleti yeniden çalıştırmak için açık konuma getirin.
Alet çalışmaya başlamazsa, batarya aşırı ısınmış demektir. Bu durumda, aleti yeniden çalıştırmadan önce bataryanın soğumasını bekleyin.
- Düşük batarya voltajı:
Kalan batarya kapasitesi çok düşüktür ve alet çalışmaz. Bu durum söz konusuysa, bataryayı çıkarıp şarj edin.

NOT:

- Aşırı ısınmaya karşı koruma sistemi sadece yıldız işaretli batarya kartuşlarında çalışır.

Lokma konumunun deęiştirilmesi (Şek. 3)

Lokma tutucusunun konumu 360° deęiştirilebilir. Lokma konumunu deęiştirmek için aşağıdakileri yapın.

1. Verilen somun anahtarıyla kilit somununu gevşetin.
2. Lokma tutucusunu hafifçe çekin ve istediğiniz çalışma konumuna döndürün.
3. Lokma tutucusunu istenilen konumda sabitlemek için kilit somununu sıkın.

Her bir 90° de dört pozitif konum durdurucu vardır: 0°, 90° sol ve sağ ve 180°. Lokmayı bu pozitif konum durduruculardan herhangi birine konumlandırmak için:

- Verilen somun anahtarıyla kilit somununu gevşetin.
- Lokma tutucusunu biraz çekin ve hafifçe bastırarak istediğiniz konuma çevirin. Lokma tutucusu istenildiği gibi durduruculardan birine geçecektir.
- Pozitif yönde yerine kilitlendiğinden emin olmak için lokma tutucusunu biraz döndürün.
- Kilit somununu sıkarak lokma tutucusunu sabitleyin.

Kesilebilecek kalınlık (Şek. 4)

Kesilecek malzemenin kalınlığı malzemenin kendi gerilme mukavemetine bağlıdır. Lokma tutucusunun üstündeki kertik izin verilen kesme derinliği için bir derinlik mastarı görevi yapar. Bu kertiğe uymayan herhangi bir malzemeyi kesmeye çalışmayın.

Kesme hattı

Lokma tutucusu içindeki kertik kesme hattınızı gösterir. Bunun eni kesme enine eşittir. Kesme yaparken bu kertiği iş parçasındaki kesme hattına hizalayın.

Anahtar işlemi (Şek. 5)

⚠ DİKKAT:

- Batarya kartuşunu alete takmadan önce sürgülü anahtarın düzgün çalıştığını ve sürgülü anahtarın gerisine basıldığı zaman "OFF" (kapalı) konumuna geçtiğini daima kontrol edin.
- Uzun süreli kullanım sırasında kullanıcının rahatı için anahtar "ON" (açık) konumunda kilitlenebilir. Anahtar "ON" (açık) konumunda kilitliyi dikkatli olun ve aleti sıkı kavrayın.

Aleti başlatmak için, sürgülü anahtarı "I (AÇIK)" konumuna getirin. Sürekli kullanım için, sürgülü anahtarın ön kısmına basarak anahtarı kilitleyin.

Aleti durdurmak için, sürgülü anahtarın arka kısmına basın ve "O (KAPALI)" konuma kaydırın.

Çok işlevli gösterge lambası (Şek. 6)

Gösterge lambaları iki konumda bulunur.

- Batarya kartuşunu değiştirme sinyali

- Kullanım sırasında bataryanın gücü tamamen bitmeden kısa bir süre önce kırmızı lamba yanar ve alet hemen durur. Kırmızı ışık yandığında bataryayı tam şarjlı bir batarya ile değiştirin.

- İstem dışı başlatmayı önleme işlevi

- Batarya kartuşu sürgülü anahtar "I (AÇIK)" konumdayken takılırsa bile, alet çalışmaya başlamaz. Bu durumda, lamba yavaş bir şekilde titreşir, bu da istem dışı başlatmayı önleme işlevinin devrede olduğunu gösterir.
- Aleti başlatmak için, önce sürgülü anahtarı "O (KAPALI)" konuma kaydırın ve ardından tekrar "I (AÇIK)" konuma getirin.

MONTAJ

⚠ DİKKAT:

- Alet üzerinde herhangi bir iş yapmadan önce aletin kapalı ve batarya kartuşunun ayrılmış olduğundan daima emin olun.

Zimba ve lokmanın takılması ve çıkartılması

(Şek. 7, 8, 9 ve 10)

Zimba ve lokmayı daima bir takım olarak değiştirin. Zimba ve lokmayı çıkarmak için, somun anahtarıyla kilit somununu gevşetin. Lokma tutucusunu aletten çıkartın. Allen anahtarını kullanarak lokmayı yerinde tutan civataları gevşetin. Lokmayı tutucusundan çıkartın. Allen anahtarını kullanarak zımbayı yerinde tutan vidayı gevşetin. Zımbayı çekip tutucusundan çıkarın.

Zimba ve lokmayı takmak için, zımbayı zimba içindeki kertik vidaya gelecek şekilde zimba tutucusunun içine geçirin. Vidayı sıkarak zımbayı sabitleyin. Lokmayı lokma tutucusunun içine takın. Civataları sıkıp lokmayı sabitleyin.

Sonra zimba lokma tutucusunun içindeki deliğe geçecek şekilde lokma tutucusunu alete takın. Kilit somununu sıkarak lokma tutucusunu sabitleyin. Zimba ve lokmayı değiştirdikten sonra uygun bir yağla yağlayıp aleti bir süre çalıştırın.

KULLANIM

Ön yağlama

Zimba ve lokma kullanım ömrünü uzatmak için kesme hattını makine yağıyla kaplayın. Bu özellikle alüminyum keserken önemlidir.

Kesme yöntemi (Şek. 11)

Aleti kesme kafası kesilen iş parçası ile dik açı (90°) yapacak şekilde tutun. Aleti kesme yönünde yavaşça ilerletin.

Kesip çıkarma (Şek. 12)

Önce kesme kafasının içine girebileceği çapı 21 mm üstünde yuvarlak bir delik açılarak kesip çıkartmalar yapılabilir.

Oluklu ya da trapezoid biçimli saçların kesilmesi (Şek. 13 ve 14)

Oluklu ya da trapezoid biçimli saçları oluklara dik ya da eğimli keserken lokma konumunu lokma kesme yönüne bakacak şekilde ayarlayın.

Şekilde gösterildiği gibi daima kesme kafası kesme yüzeyine dik açı (90°) yapacak şekilde alet gövdesini oluklara paralel tutun.

BAKIM

⚠ DİKKAT:

- Kontrol ya da bakım yapmadan önce aletin kapalı ve batarya kartuşunun çıkartılmış olduğundan daima emin olun.
- Benzin, tiner, alkol ve benzeri maddeleri kesinlikle kullanmayın. Renk değişimi, deformasyon veya çatlaklar oluşabilir.

Karbon fırçaların değiştirilmesi (Şek. 15, 16 ve 17)

Karbon fırçaları düzenli olarak çıkarıp kontrol edin. Sınır işaretine kadar yıprandıkları zaman değiştirin. Karbon fırçalarının temiz ve yuvarlak içinde serbestçe kayar durumda kalmalarını sağlayın. Her iki karbon fırça aynı zamanda değiştirilmelidir. Sadece birbirinin aynısı olan karbon fırçaları kullanın.

Düz uçlu tornavidanın ucunu aletin üzerindeki çentiğe geçirin ve tutucu kapağını kaldırın.

Fırça yuvası kapaklarını çıkarmak için bir tornavida kullanın. Açınmış karbon fırçalarını dışarı çıkarın, yerlerine yenilerini geçirin ve fırça yuvası kapaklarını açılmayacak şekilde takın.

Tutucu kapağını alete yeniden takın.

Aleti EMNİYETLİ ve ÇALIŞMAYA HAZIR durumda tutmak için onarımlar, başka her türlü bakım ve ayarlamalar daima Makita yedek parçaları kullanılarak Makita Yetkili Servis Merkezleri tarafından yapılmalıdır.

İSTEĞE BAĞLI AKSESUARLAR

⚠ DİKKAT:

- Bu aksesuarlar ve ek parçalar bu el kitabında belirtilen Makita aletiniz ile kullanılmak için tavsiye edilmektedir. Herhangi başka bir aksesuar ya da ek parça kullanılması insanlar için bir yaralanma riski getirebilir. Aksesuarları ya da ek parçaları yalnızca belirtilmiş olan kullanım amaçlarına uygun olarak kullanın.

Bu aksesuarlarla ilgili daha fazla bilgiye ihtiyaç duyarsanız bulunduğunuz yerdeki Makita Servis Merkezi başvurun.

- Lokma
- Zimba
- Altıgen anahtar
- Anahtar 32
- Orijinal Makita batarya ve şarj aleti

NOT:

- Listedeki bazı parçalar standart aksesuar olarak ürün paketinin içine dahil edilmiş olabilir. Aksesuarlar ülkeden ülkeye farklılık gösterebilir.

ENG905-1

Gürültü

EN60745 uyarınca hesaplanan tipik A-ağırlıklı gürültü düzeyi:

Model DJN160

Ses basınç seviyesi (L_{pA}): 72 dB(A)

Belirsizlik (K): 3 dB(A)

İşlem sırasında gürültü seviyesi 80 dB (A)'yi geçebilir.

Model DJN161

Ses basınç seviyesi (L_{pA}): 73 dB(A)

Belirsizlik (K): 3 dB(A)

İşlem sırasında gürültü seviyesi 80 dB (A)'yi geçebilir.

Kulak koruyucusu takın

ENG900-1

Titreşim

EN60745 standardına göre hesaplanan titreşim toplam değeri (Üç eksenli vektör toplamı):

Model DJN160

Çalışma modu: sac levha kesme

Titreşim emisyonu (a_{h1}): 7,0 m/s²

Belirsizlik (K): 1,5 m/s²

Model DJN161

Çalışma modu: sac levha kesme

Titreşim emisyonu (a_{h1}): 6,5 m/s²

Belirsizlik (K): 1,5 m/s²

- Beyan edilen titreşim emisyon değeri standart test yöntemine uygun şekilde ölçülmüştür ve bir aleti bir başkasıyla karşılaştırmak için kullanılabilir.
- Beyan edilen titreşim emisyon değeri bir ön maruz kalma değerlendirmesi olarak da kullanılabilir.

⚠ UYARI:

- Bu elektrikli aletin gerçek kullanımı sırasındaki titreşim emisyonu aletin kullanım biçimlerine bağlı olarak beyan edilen emisyon değerinden farklı olabilir.
- Gerçek kullanım koşullarındaki maruz kalmanın bir tahmini hesaplaması temelinde operatörü koruyacak güvenlik önlemlerini mutlaka belirleyin (çalışma döngüsü içerisinde aletin kapalı olduğu ve aktif durumda olmasının yanı sıra boşta çalıştığı zamanlar gibi, bütün zaman dilimleri göz önünde bulundurulacak değerlendirilmelidir).

ENH101-16

Sadece Avrupa ülkeleri için

EC Uygunluk Beyanı

Sorumlu imalatçı olarak biz Makita Corporation beyan ederiz ki aşağıdaki Makita makine(ler):

Makine Adı:

Akülü Nibler

Model No./ Tipi: DJN160, DJN161

seri üretilmişlerdir ve

Aşağıdaki Avrupa Direktiflerine uygundur:

2006/42/EC

ve aşağıdaki standartlara veya standartlaştırılmış belgelere uygun olarak imal edilmişlerdir:

EN60745

Teknik dokümantasyon şurada muhafaza edilmektedir:

Makita International Europe Ltd.

Teknik Departman,

Michigan Drive, Tongwell,

Milton Keynes, Bucks MK15 8JD, England

26.4.2012



Tomoyasu Kato

Müdür

Makita Corporation

3-11-8, Sumiyoshi-cho,

Anjo, Aichi, 446-8502, JAPAN

Makita Corporation
Anjo, Aichi, Japan

885293-995

www.makita.com

IDE