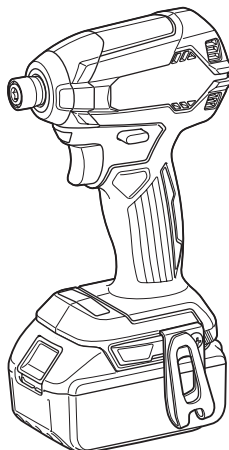
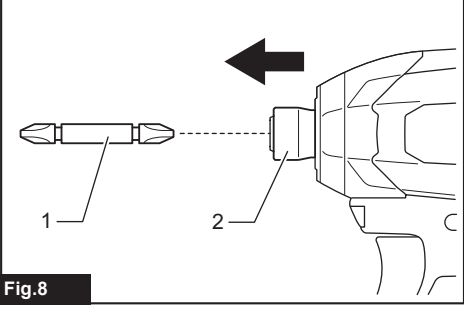
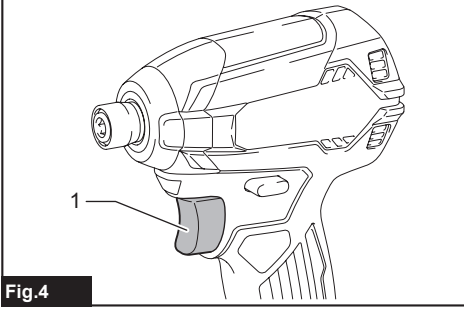
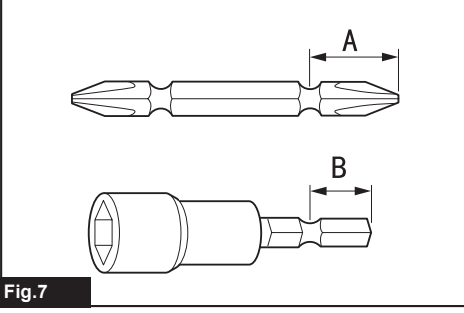
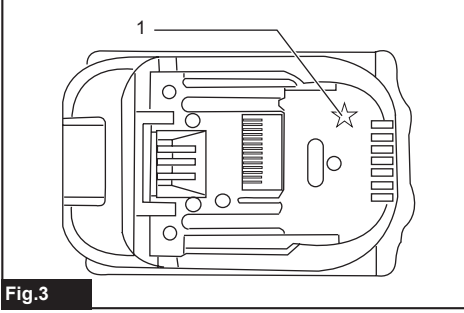
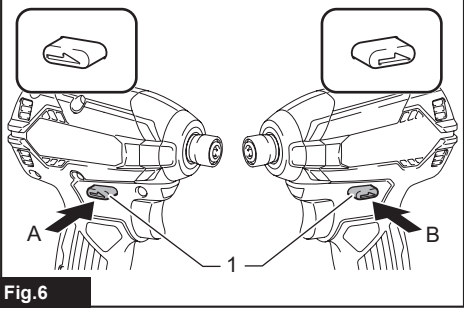
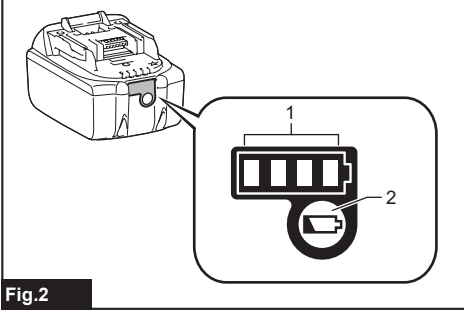
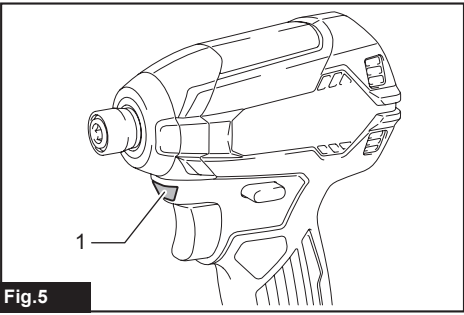
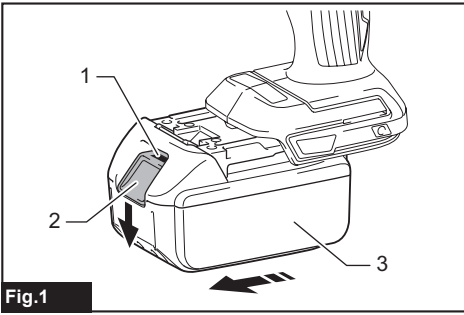




EN	Cordless Impact Driver	INSTRUCTION MANUAL	4
FR	Tournevis à Chocs sans Fil	MANUEL D'INSTRUCTIONS	9
DE	Akku-Schlagschrauber	BETRIEBSANLEITUNG	15
IT	Avvitatore a massa battente a batteria	ISTRUZIONI PER L'USO	21
NL	Accuslagschroevendraaier	GEBRUIKSAANWIJZING	27
ES	Atornillador de Impacto Inalámbrico	MANUAL DE INSTRUCCIONES	33
PT	Parafusadeira de Impacto a Bateria	MANUAL DE INSTRUÇÕES	39
DA	Akku slagskruemaskine	BRUGSANVISNING	44
EL	Κρουστικό κατσαβίδι μπαταρίας	ΕΓΧΕΙΡΙΔΙΟ ΟΔΗΓΙΩΝ	49
TR	Akülü Darbeli Tornavida	KULLANMA KILAVUZU	55

DTD153





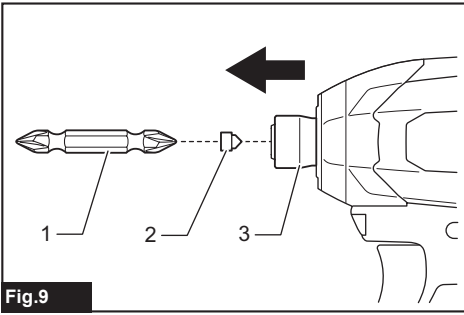


Fig.9

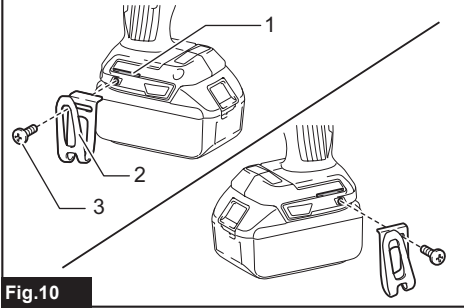


Fig.10

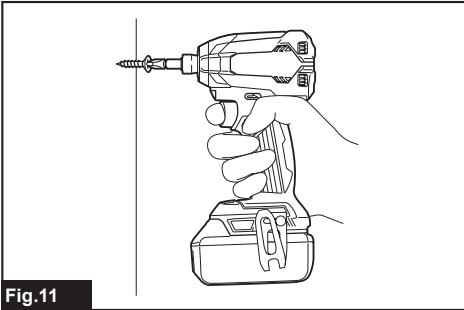


Fig.11

SPECIFICATIONS

Model:		DTD153	
Fastening capacities	Machine screw	4 mm - 8 mm	
	Standard bolt	5 mm - 16 mm	
	High tensile bolt	5 mm - 14 mm	
No load speed		0 - 3,400 min ⁻¹	
Impacts per minute		0 - 3,600 min ⁻¹	
Overall length		126 mm	
Rated voltage		D.C. 18 V	
Battery cartridge		BL1815, BL1815N, BL1820, BL1820B	BL1830, BL1830B, BL1840, BL1840B, BL1850, BL1850B, BL1860B
Net weight		1.3 kg	1.5 kg

- Due to our continuing program of research and development, the specifications herein are subject to change without notice.
- Specifications and battery cartridge may differ from country to country.
- Weight, with battery cartridge, according to EPTA-Procedure 01/2003

Intended use

The tool is intended for screw driving in wood, metal and plastic.

Noise

The typical A-weighted noise level determined according to EN60745:

Sound pressure level (L_{pA}): 96 dB(A)

Sound power level (L_{WA}): 107 dB (A)

Uncertainty (K): 3 dB(A)

⚠ WARNING: Wear ear protection.

Vibration

The vibration total value (tri-axial vector sum) determined according to EN60745:

Work mode: impact tightening of fasteners of the maximum capacity of the tool

Vibration emission (a_h): 13.0 m/s²

Uncertainty (K): 1.5 m/s²

NOTE: The declared vibration emission value has been measured in accordance with the standard test method and may be used for comparing one tool with another.

NOTE: The declared vibration emission value may also be used in a preliminary assessment of exposure.

⚠ WARNING: The vibration emission during actual use of the power tool can differ from the declared emission value depending on the ways in which the tool is used.

⚠ WARNING: Be sure to identify safety measures to protect the operator that are based on an estimation of exposure in the actual conditions of use (taking account of all parts of the operating cycle such as the times when the tool is switched off and when it is running idle in addition to the trigger time).

EC Declaration of Conformity

For European countries only

The EC declaration of conformity is included as Annex A to this instruction manual.

SAFETY WARNINGS

General power tool safety warnings

⚠ WARNING: Read all safety warnings and all instructions. Failure to follow the warnings and instructions may result in electric shock, fire and/or serious injury.

Save all warnings and instructions for future reference.

The term "power tool" in the warnings refers to your mains-operated (corded) power tool or battery-operated (cordless) power tool.

Cordless impact driver safety warnings

1. **Hold power tool by insulated gripping surfaces, when performing an operation where the fastener may contact hidden wiring.** Fasteners contacting a "live" wire may make exposed metal parts of the power tool "live" and could give the operator an electric shock.
2. **Always be sure you have a firm footing. Be sure no one is below when using the tool in high locations.**
3. **Hold the tool firmly.**

4. Wear ear protectors.
5. Do not touch the bit or the workpiece immediately after operation. They may be extremely hot and could burn your skin.
6. Keep hands away from rotating parts.

SAVE THESE INSTRUCTIONS.

⚠WARNING: DO NOT let comfort or familiarity with product (gained from repeated use) replace strict adherence to safety rules for the subject product.

MISUSE or failure to follow the safety rules stated in this instruction manual may cause serious personal injury.

Important safety instructions for battery cartridge

1. Before using battery cartridge, read all instructions and cautionary markings on (1) battery charger, (2) battery, and (3) product using battery.
2. Do not disassemble battery cartridge.
3. If operating time has become excessively shorter, stop operating immediately. It may result in a risk of overheating, possible burns and even an explosion.
4. If electrolyte gets into your eyes, rinse them out with clear water and seek medical attention right away. It may result in loss of your eyesight.
5. Do not short the battery cartridge:
 - (1) Do not touch the terminals with any conductive material.
 - (2) Avoid storing battery cartridge in a container with other metal objects such as nails, coins, etc.
 - (3) Do not expose battery cartridge to water or rain.

A battery short can cause a large current flow, overheating, possible burns and even a breakdown.
6. Do not store the tool and battery cartridge in locations where the temperature may reach or exceed 50 °C (122 °F).
7. Do not incinerate the battery cartridge even if it is severely damaged or is completely worn out. The battery cartridge can explode in a fire.
8. Be careful not to drop or strike battery.
9. Do not use a damaged battery.
10. The contained lithium-ion batteries are subject to the Dangerous Goods Legislation requirements. For commercial transports e.g. by third parties, forwarding agents, special requirement on packaging and labeling must be observed. For preparation of the item being shipped, consulting an expert for hazardous material is required. Please also observe possibly more detailed national regulations. Tape or mask off open contacts and pack up the battery in such a manner that it cannot move around in the packaging.
11. Follow your local regulations relating to disposal of battery.

SAVE THESE INSTRUCTIONS.

⚠CAUTION: Only use genuine Makita batteries. Use of non-genuine Makita batteries, or batteries that have been altered, may result in the battery bursting causing fires, personal injury and damage. It will also void the Makita warranty for the Makita tool and charger.

Tips for maintaining maximum battery life

1. Charge the battery cartridge before completely discharged. Always stop tool operation and charge the battery cartridge when you notice less tool power.
2. Never recharge a fully charged battery cartridge. Overcharging shortens the battery service life.
3. Charge the battery cartridge with room temperature at 10 °C - 40 °C (50 °F - 104 °F). Let a hot battery cartridge cool down before charging it.
4. Charge the battery cartridge if you do not use it for a long period (more than six months).

FUNCTIONAL DESCRIPTION

⚠CAUTION: Always be sure that the tool is switched off and the battery cartridge is removed before adjusting or checking function on the tool.

Installing or removing battery cartridge

⚠CAUTION: Always switch off the tool before installing or removing of the battery cartridge.

⚠CAUTION: Hold the tool and the battery cartridge firmly when installing or removing battery cartridge. Failure to hold the tool and the battery cartridge firmly may cause them to slip off your hands and result in damage to the tool and battery cartridge and a personal injury.

► Fig.1: 1. Red indicator 2. Button 3. Battery cartridge

To remove the battery cartridge, slide it from the tool while sliding the button on the front of the cartridge.

To install the battery cartridge, align the tongue on the battery cartridge with the groove in the housing and slip it into place. Insert it all the way until it locks in place with a little click. If you can see the red indicator on the upper side of the button, it is not locked completely.

⚠CAUTION: Always install the battery cartridge fully until the red indicator cannot be seen. If not, it may accidentally fall out of the tool, causing injury to you or someone around you.

⚠CAUTION: Do not install the battery cartridge forcibly. If the cartridge does not slide in easily, it is not being inserted correctly.

Indicating the remaining battery capacity

Only for battery cartridges with "B" at the end of the model number

► Fig.2: 1. Indicator lamps 2. Check button

Press the check button on the battery cartridge to indicate the remaining battery capacity. The indicator lamps light up for few seconds.

Indicator lamps			Remaining capacity
Lighted	Off	Blinking	
			75% to 100%
			50% to 75%
			25% to 50%
			0% to 25%
			Charge the battery.
			The battery may have malfunctioned.

NOTE: Depending on the conditions of use and the ambient temperature, the indication may differ slightly from the actual capacity.

Tool / battery protection system

The tool is equipped with a tool/battery protection system. This system automatically cuts off power to the motor to extend tool and battery life. The tool will automatically stop during operation if the tool or battery is placed under one of the following conditions:

Overload protection

When the battery is operated in a manner that causes it to draw an abnormally high current, the tool automatically stops without any indication. In this situation, turn the tool off and stop the application that caused the tool to become overloaded. Then turn the tool on to restart.

Overheat protection

When the tool/battery is overheated, the tool stops automatically. In this situation, let the battery cool before turning the tool on again.

Overdischarge protection

When the battery capacity is not enough, the tool stops automatically. In this case, remove the battery from the tool and charge the battery.

NOTE: Overload protection will work only with batteries with star marking.

► Fig.3: 1. Star marking

Switch action

► Fig.4: 1. Switch trigger

CAUTION: Before installing the battery cartridge into the tool, always check to see that the switch trigger actuates properly and returns to the "OFF" position when released.

To start the tool, simply pull the switch trigger. Tool speed is increased by increasing pressure on the switch trigger. Release the switch trigger to stop.

Lighting up the front lamp

► Fig.5: 1. Lamp

CAUTION: Do not look in the light or see the source of light directly.

Pull the switch trigger to light up the lamp. The lamp keeps on lighting while the switch trigger is being pulled. The lamp goes out approximately 10 seconds after releasing the switch trigger.

NOTE: Use a dry cloth to wipe the dirt off the lens of the lamp. Be careful not to scratch the lens of lamp, or it may lower the illumination.

Reversing switch action

► Fig.6: 1. Reversing switch lever

CAUTION: Always check the direction of rotation before operation.

CAUTION: Use the reversing switch only after the tool comes to a complete stop. Changing the direction of rotation before the tool stops may damage the tool.

CAUTION: When not operating the tool, always set the reversing switch lever to the neutral position.

This tool has a reversing switch to change the direction of rotation. Depress the reversing switch lever from the A side for clockwise rotation or from the B side for counterclockwise rotation.

When the reversing switch lever is in the neutral position, the switch trigger cannot be pulled.

ASSEMBLY

CAUTION: Always be sure that the tool is switched off and the battery cartridge is removed before carrying out any work on the tool.

Installing or removing driver bit/socket bit

► Fig.7

Use only driver bit/socket bit that has inserting portion shown in the figure. Do not use any other driver bit/socket bit.

For tool with shallow driver bit hole

A=12mm B=9mm	Use only these type of driver bit. Follow the procedure 1. (Note) Bit-piece is not necessary.
-----------------	---

For tool with deep driver bit hole

A=17mm B=14mm	To install these types of driver bits, follow the procedure 1.
A=12mm B=9mm	To install these types of driver bits, follow the procedure 2. (Note) Bit-piece is necessary for installing the bit.

Procedure 1

For tool without one-touch type sleeve

► **Fig.8:** 1. Driver bit 2. Sleeve

To install the driver bit, pull the sleeve in the direction of the arrow and insert the driver bit into the sleeve as far as it will go.

Then release the sleeve to secure the driver bit.

For tool with one-touch type sleeve

To install the driver bit, insert the driver bit into the sleeve as far as it will go.

Procedure 2

In addition to **Procedure 1**, insert the bit-piece into the sleeve with its pointed end facing in.

► **Fig.9:** 1. Driver bit 2. Bit-piece 3. Sleeve

To remove the driver bit, pull the sleeve in the direction of the arrow and pull the driver bit out.

NOTE: If the driver bit is not inserted deep enough into the sleeve, the sleeve will not return to its original position and the driver bit will not be secured. In this case, try re-inserting the bit according to the instructions above.

NOTE: When it is difficult to insert the driver bit, pull the sleeve and insert it into the sleeve as far as it will go.

NOTE: After inserting the driver bit, make sure that it is firmly secured. If it comes out, do not use it.

Installing hook

► **Fig.10:** 1. Groove 2. Hook 3. Screw

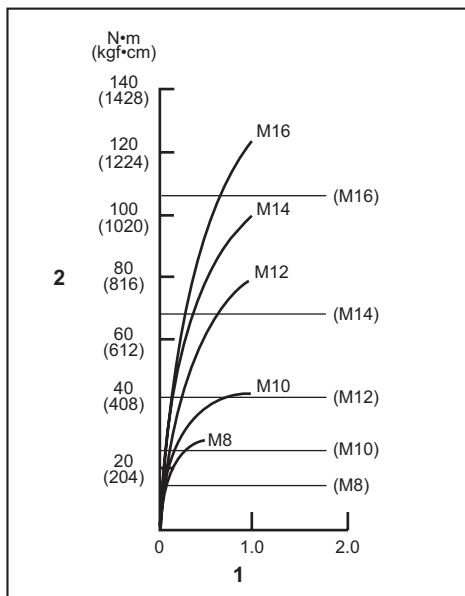
The hook is convenient for temporarily hanging the tool. This can be installed on either side of the tool. To install the hook, insert it into a groove in the tool housing on either side and then secure it with a screw. To remove, loosen the screw and then take it out.

OPERATION

► **Fig.11**

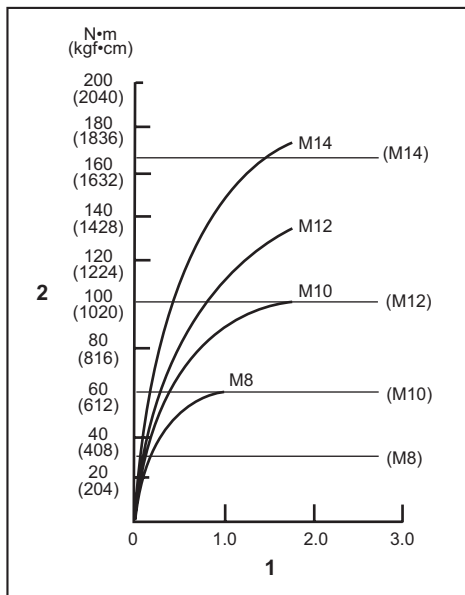
The proper fastening torque may differ depending upon the kind or size of the screw/bolt, the material of the workpiece to be fastened, etc. The relation between fastening torque and fastening time is shown in the figures.

Proper fastening torque for standard bolt



1. Fastening time (second) 2. Fastening torque

Proper fastening torque for high tensile bolt



1. Fastening time (second) 2. Fastening torque

Hold the tool firmly and place the point of the driver bit in the screw head. Apply forward pressure to the tool to the extent that the bit will not slip off the screw and turn the tool on to start operation.

NOTICE: If you use a spare battery to continue the operation, rest the tool at least 15 min.

NOTE: Use the proper bit for the head of the screw/bolt that you wish to use.

NOTE: When fastening M8 or smaller screw, carefully adjust pressure on the switch trigger so that the screw is not damaged.

NOTE: Hold the tool pointed straight at the screw.

NOTE: If the impact force is too strong or you tighten the screw for a time longer than shown in the figures, the screw or the point of the driver bit may be overstressed, stripped, damaged, etc. Before starting your job, always perform a test operation to determine the proper fastening time for your screw.

The fastening torque is affected by a wide variety of factors including the following. After fastening, always check the torque with a torque wrench.

1. When the battery cartridge is discharged almost completely, voltage will drop and the fastening torque will be reduced.
2. Driver bit or socket bit
Failure to use the correct size driver bit or socket bit will cause a reduction in the fastening torque.
3. Bolt
 - Even though the torque coefficient and the class of bolt are the same, the proper fastening torque will differ according to the diameter of bolt.
 - Even though the diameters of bolts are the same, the proper fastening torque will differ according to the torque coefficient, the class of bolt and the bolt length.
4. The manner of holding the tool or the material of driving position to be fastened will affect the torque.
5. Operating the tool at low speed will cause a reduction in the fastening torque.

MAINTENANCE

CAUTION: Always be sure that the tool is switched off and the battery cartridge is removed before attempting to perform inspection or maintenance.

NOTICE: Never use gasoline, benzine, thinner, alcohol or the like. Discoloration, deformation or cracks may result.

To maintain product SAFETY and RELIABILITY, repairs, any other maintenance or adjustment should be performed by Makita Authorized or Factory Service Centers, always using Makita replacement parts.

OPTIONAL ACCESSORIES

CAUTION: These accessories or attachments are recommended for use with your Makita tool specified in this manual. The use of any other accessories or attachments might present a risk of injury to persons. Only use accessory or attachment for its stated purpose.

If you need any assistance for more details regarding these accessories, ask your local Makita Service Center.

- Driver bits
- Socket bits
- Bit piece
- Hook
- Plastic carrying case
- Battery protector
- Tool hanger
- Makita genuine battery and charger

NOTE: Some items in the list may be included in the tool package as standard accessories. They may differ from country to country.

SPÉCIFICATIONS

Modèle :		DTD153
Capacités de serrage	Vis à machine	4 mm à 8 mm
	Boulon standard	5 mm à 16 mm
	Boulon à haute résistance	5 mm à 14 mm
Vitesse à vide		0 à 3 400 min ⁻¹
Impacts par minute		0 à 3 600 min ⁻¹
Longueur totale		126 mm
Tension nominale		18 V CC
Batterie		BL1815, BL1815N, BL1820, BL1820B, BL1830, BL1830B, BL1840, BL1840B, BL1850, BL1850B, BL1860B
Poids net		1,3 kg
		1,5 kg

- Étant donné l'évolution constante de notre programme de recherche et de développement, les spécifications contenues dans ce manuel sont sujettes à modification sans préavis.
- Les spécifications et la batterie peuvent être différentes suivant les pays.
- Poids, avec la batterie, conformément à la procédure EPTA-01/2003

Utilisations

L'outil est conçu pour le vissage dans le bois, le métal et le plastique.

Bruit

Niveau de bruit pondéré A typique, déterminé selon EN60745 :

Niveau de pression sonore (L_{pA}) : 96 dB (A)

Niveau de puissance sonore (L_{WA}) : 107 dB (A)

Incertitude (K) : 3 dB (A)

AVERTISSEMENT : Portez un serre-tête antibruit.

Vibrations

Valeur totale de vibrations (somme de vecteur triaxial) déterminée selon EN60745 :

Mode de travail : serrage avec impact de vis ou boulon ne dépassant pas la capacité maximale de l'outil

Émission de vibrations (a_n) : 13,0 m/s²

Incertitude (K) : 1,5 m/s²

NOTE : La valeur d'émission de vibrations déclarée a été mesurée conformément à la méthode de test standard et peut être utilisée pour comparer les outils entre eux.

NOTE : La valeur d'émission de vibrations déclarée peut aussi être utilisée pour l'évaluation préliminaire de l'exposition.

AVERTISSEMENT : L'émission de vibrations lors de l'usage réel de l'outil électrique peut être différente de la valeur d'émission déclarée, suivant la façon dont l'outil est utilisé.

AVERTISSEMENT : Les mesures de sécurité à prendre pour protéger l'utilisateur doivent être basées sur une estimation de l'exposition dans des conditions réelles d'utilisation (en tenant compte de toutes les composantes du cycle d'utilisation, comme par exemple le moment de sa mise hors tension, lorsqu'il tourne à vide et le moment de son déclenchement).

Déclaration de conformité CE

Pour les pays européens uniquement

La déclaration de conformité CE est fournie en Annexe A à ce mode d'emploi.

CONSIGNES DE SÉCURITÉ

Consignes de sécurité générales pour outils électriques

AVERTISSEMENT : Lisez toutes les consignes de sécurité et toutes les instructions. Il y a un risque d'électrocution, d'incendie et/ou de graves blessures si les mises en garde et les instructions ne sont pas respectées.

Conservez toutes les mises en garde et instructions pour référence ultérieure.

Le terme « outil électrique » dans les avertissements fait référence à l'outil électrique alimenté par le secteur (avec cordon d'alimentation) ou à l'outil électrique fonctionnant sur batterie (sans cordon d'alimentation).

Consignes de sécurité pour le tournevis à chocs sans fil

1. Tenez l'outil électrique par des surfaces de prise isolées lorsque vous effectuez une tâche au cours de laquelle la vis ou le boulon peut entrer en contact avec des fils cachés. Le contact de la vis ou du boulon avec un fil sous tension peut transmettre du courant dans les pièces métalliques exposées de l'outil et électrocuter l'opérateur.
2. Ayez toujours une assise ferme sous vos pieds. Veillez à ce que personne ne se trouve en dessous de vous quand vous utilisez l'outil en hauteur.
3. Tenez votre outil fermement.
4. Portez un casque anti-bruit.
5. Ne touchez pas l'embout ou la pièce immédiatement après le fonctionnement. Ils peuvent être extrêmement chauds et brûler votre peau.
6. Gardez les mains éloignées des pièces en rotation.

CONSERVEZ CES INSTRUCTIONS.

⚠ AVERTISSEMENT : NE vous laissez PAS tromper (au fil d'une utilisation répétée) par un sentiment d'aisance et de familiarité avec le produit, en négligeant le respect rigoureux des consignes de sécurité qui accompagnent le produit en question.

La MAUVAISE UTILISATION de l'outil ou l'ignorance des consignes de sécurité indiquées dans ce mode d'emploi peut entraîner de graves blessures.

Consignes de sécurité importantes pour la batterie

1. Avant d'utiliser la batterie, lisez toutes les instructions et précautions relatives (1) au chargeur de batterie, (2) à la batterie, et (3) au produit utilisant la batterie.
2. Ne démontez pas la batterie.
3. Cessez immédiatement l'utilisation si le temps de fonctionnement devient excessivement court. Il y a risque de surchauffe, de brûlures, voire d'explosion.
4. Si l'électrolyte pénètre dans vos yeux, rincez-les à l'eau claire et consultez immédiatement un médecin. Il y a risque de perte de la vue.
5. Ne court-circuitez pas la batterie :
 - (1) Ne touchez les bornes avec aucun matériau conducteur.
 - (2) Évitez de ranger la batterie dans un conteneur avec d'autres objets métalliques, par exemple des clous, des pièces

de monnaie, etc.

- (3) N'exposez pas la batterie à l'eau ou à la pluie.

Un court-circuit de la batterie peut provoquer une intensité de courant élevée, une surchauffe, parfois des brûlures et même une panne.

6. Ne rangez pas l'outil et la batterie dans un endroit où la température risque d'atteindre ou de dépasser 50 °C.
7. Ne jetez pas la batterie au feu même si elle est sérieusement endommagée ou complètement épuisée. La batterie peut exploser au contact du feu.
8. Évitez de laisser tomber ou de cogner la batterie.
9. N'utilisez pas la batterie si elle est endommagée.
10. Les batteries au lithium-ion contenues sont soumises aux exigences de la législation sur les marchandises dangereuses.
Lors du transport commercial par des tierces parties ou des transitaires par exemple, des exigences spécifiques en matière d'étiquetage et d'emballage doivent être respectées.
Pour la préparation de l'article expédié, il est nécessaire de consulter un expert en matériau dangereux. Veuillez également respecter les réglementations nationales susceptibles d'être plus détaillées.
Recouvrez les contacts exposés avec du ruban adhésif ou du ruban de masquage et emballez la batterie de telle sorte qu'elle ne puisse pas bouger dans l'emballage.
11. Suivez les réglementations locales en matière de mise au rebut des batteries.

CONSERVEZ CES INSTRUCTIONS.

⚠ ATTENTION : N'utilisez que des batteries Makita d'origine. L'utilisation de batteries de marque autre que Makita ou de batteries modifiées peut provoquer l'explosion des batteries, ce qui présente un risque d'incendie, de dommages matériels et corporels. Cela annulera également la garantie Makita pour l'outil et le chargeur Makita.

Conseils pour assurer la durée de vie optimale de la batterie

1. Chargez la batterie avant qu'elle ne soit complètement déchargée. Arrêtez toujours l'outil et rechargez la batterie quand vous remarquez que la puissance de l'outil diminue.
2. Ne rechargez jamais une batterie complètement chargée. La surcharge réduit la durée de service de la batterie.
3. Chargez la batterie à une température ambiante comprise entre 10 °C et 40 °C. Avant de charger une batterie chaude, laissez-la refroidir.
4. Rechargez la batterie si elle est restée inutilisée pendant une période prolongée (plus de six mois).

DESCRIPTION DU FONCTIONNEMENT

ATTENTION : Assurez-vous toujours que l'outil est hors tension et que sa batterie est retirée avant de l'ajuster ou de vérifier son fonctionnement.

Insertion ou retrait de la batterie

ATTENTION : Éteignez toujours l'outil avant de mettre en place ou de retirer la batterie.

ATTENTION : Tenez fermement l'outil et la batterie lors de la mise en place ou du retrait de la batterie. Si vous ne tenez pas fermement l'outil et la batterie, ils peuvent vous glisser des mains, et s'abîmer ou vous blesser.

► Fig.1: 1. Voyant rouge 2. Bouton 3. Batterie

Pour retirer la batterie, faites-la glisser hors de l'outil tout en faisant glisser le bouton à l'avant de la batterie.

Pour mettre en place la batterie, alignez la languette sur la batterie avec la rainure sur le compartiment et insérez-la. Insérez-la à fond jusqu'à ce qu'un léger dé clic se fasse entendre. Si le voyant rouge sur le dessus du bouton est visible, cela signifie qu'elle n'est pas bien verrouillée.

ATTENTION : Insérez toujours complètement la batterie jusqu'à ce que le voyant rouge ne soit plus visible. Sinon, elle pourrait tomber accidentellement de l'outil, au risque de vous blesser ou de blesser quelqu'un se trouvant près de vous.

ATTENTION : N'insérez pas la batterie de force. Si elle ne glisse pas facilement, c'est que vous ne l'insérez pas correctement.

Indication de la charge restante de la batterie

Uniquement pour les batteries dont le numéro de modèle se termine par « B »

► Fig.2: 1. Témoins 2. Bouton de vérification

Appuyez sur le bouton de vérification sur la batterie pour indiquer la charge restante de la batterie. Les témoins s'allument pendant quelques secondes.

Témoins			Charge restante
Allumé	Éteint	Clignotant	
■	□	◐	75 % à 100 %
■	■	■	
■	■	□	50 % à 75 %
■	■	■	
■	□	□	25 % à 50 %
■	□	□	
■	□	□	0 % à 25 %
■	□	□	
◐	□	□	Chargez la batterie.

Témoins			Charge restante
Allumé	Éteint	Clignotant	
■	□	◐	Anomalie possible de la batterie.
■	■	□	
□	□	■	

NOTE : Selon les conditions d'utilisation et la température ambiante, l'indication peut être légèrement différente de la capacité réelle.

Système de protection de l'outil/la batterie

L'outil est équipé d'un système de protection de l'outil/la batterie. Ce système coupe automatiquement l'alimentation vers le moteur pour prolonger la durée de vie de l'outil et de la batterie. Si l'outil ou la batterie se trouve dans l'une des situations suivantes, l'outil cessera automatiquement de fonctionner.

Protection contre la surcharge

Lorsque la batterie est utilisée d'une manière provoquant un appel de courant anormalement élevé, l'outil s'arrête automatiquement sans indication. Dans ce cas, éteignez l'outil et arrêtez la tâche ayant provoqué la surcharge de l'outil. Puis rallumez l'outil pour reprendre la tâche.

Protection contre la surchauffe

En cas de surchauffe de l'outil ou de la batterie, l'outil s'arrête automatiquement. Dans ce cas, laissez la batterie refroidir avant de rallumer l'outil.

Protection contre la décharge totale de la batterie

Lorsque la charge de la batterie est insuffisante, l'outil s'arrête automatiquement. Dans ce cas, retirez la batterie de l'outil et chargez-la.

NOTE : La protection contre la surcharge ne fonctionne qu'avec des batteries avec repère étoilé.

► Fig.3: 1. Repère étoilé

Fonctionnement de la gâchette

► Fig.4: 1. Gâchette

ATTENTION : Avant d'insérer la batterie dans l'outil, vérifiez toujours que la gâchette fonctionne bien et revient en position d'arrêt lorsque vous la relâchez.

Il suffit d'enclencher la gâchette pour démarrer l'outil. La vitesse de l'outil augmente à mesure que l'on accroît la pression exercée sur la gâchette. Pour l'arrêter, relâchez la gâchette.

Allumage de la lampe avant

► Fig.5: 1. Lampe

ATTENTION : Évitez de regarder directement le faisceau lumineux ou sa source.

Enclenchez la gâchette pour allumer la lampe. La lampe reste allumée tant que la gâchette est enclenchée. La lampe s'éteint environ 10 secondes après avoir relâché la gâchette.

NOTE : Retirez la saleté sur la lentille de la lampe avec un chiffon sec. Prenez soin de ne pas érafler la lentille de la lampe sous peine de diminuer son éclairage.

Fonctionnement de l'inverseur

► Fig.6: 1. Levier de l'inverseur

ATTENTION : Vérifiez toujours le sens de rotation avant d'utiliser l'outil.

ATTENTION : N'utilisez l'inverseur qu'une fois que l'outil est complètement arrêté. Si vous changez le sens de rotation avant l'arrêt de l'outil, vous risquez de l'endommager.

ATTENTION : Lorsque vous n'utilisez pas l'outil, placez toujours le levier de l'inverseur en position neutre.

L'outil possède un inverseur qui permet de changer le sens de rotation. Enfoncez le levier de l'inverseur du côté A pour une rotation dans le sens des aiguilles d'une montre, ou du côté B pour une rotation dans le sens inverse des aiguilles d'une montre. La gâchette ne peut pas être enclenchée lorsque le levier de l'inverseur se trouve en position neutre.

ASSEMBLAGE

ATTENTION : Assurez-vous toujours que l'outil est hors tension et que sa batterie est retirée avant d'effectuer toute tâche dessus.

Installation ou retrait de l'embout de vissage/embout à douille

► Fig.7

Utilisez exclusivement un embout de vissage/embout à douille doté de la partie à insérer indiquée sur la figure. N'utilisez aucun autre embout de vissage/embout à douille.

Pour outil à orifice d'embout de vissage peu profond

A = 12 mm
B = 9 mm

Utilisez exclusivement ces types d'embout de vissage. Suivez la procédure 1. (Note) Porte-embout non requis.

Pour outil à orifice d'embout de vissage profond

A = 17 mm
B = 14 mm

Pour installer ces types d'embout de vissage, suivez la procédure 1.

A = 12 mm
B = 9 mm

Pour installer ces types d'embout de vissage, suivez la procédure 2. (Note) Un porte-embout est requis pour installer l'embout.

Procédure 1

Pour les outils sans manchon une pression

► Fig.8: 1. Embout de vissage 2. Manchon

Pour installer l'embout de vissage, tirez le manchon dans le sens de la flèche et insérez l'embout de vissage à fond dans le manchon.

Libérez ensuite le manchon pour fixer l'embout de vissage.

Pour les outils avec manchon une pression

Pour installer l'embout de vissage, introduisez-le à fond dans le manchon.

Procédure 2

En plus de la Procédure 1, insérez le porte-embout dans le manchon avec son bout pointu tourné vers l'intérieur.

► Fig.9: 1. Embout de vissage 2. Porte-embout 3. Manchon

Pour retirer l'embout de vissage, tirez sur le manchon dans le sens de la flèche et enlevez l'embout de vissage.

NOTE : Si l'embout de vissage n'est pas inséré assez profondément dans le manchon, celui-ci ne revient pas à sa position d'origine et l'embout de vissage ne se trouve pas bien fixé. Dans ce cas, insérez à nouveau l'embout conformément aux instructions ci-dessus.

NOTE : Si vous rencontrez des difficultés pour insérer l'embout de vissage, tirez sur le manchon et insérez l'embout à fond dans le manchon.

NOTE : Après avoir inséré l'embout de vissage, assurez-vous qu'il est fermement fixé. Ne l'utilisez pas s'il sort du manchon.

Installation du crochet

► Fig.10: 1. Rainure 2. Crochet 3. Vis

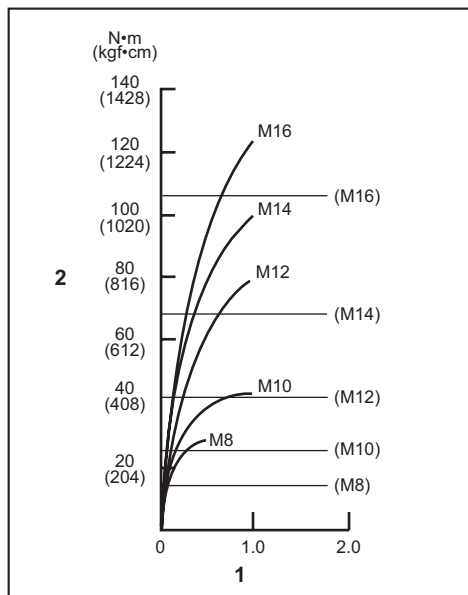
L'outil est équipé d'un crochet pratique qui permet de l'accrocher temporairement. Ce crochet s'installe d'un côté comme de l'autre de l'outil. Pour installer le crochet, insérez-le dans une des rainures situées de chaque côté du carter de l'outil, puis serrez-le avec une vis. Pour l'enlever, desserrez la vis et retirez-le.

UTILISATION

► Fig.11

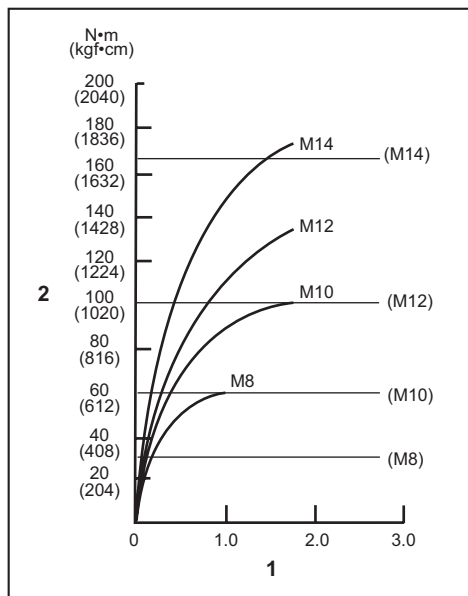
Le couple de serrage correct peut varier en fonction du type ou de la dimension de la vis/du boulon, du matériau de la pièce à fixer, etc. Le rapport entre le couple de serrage et le temps de serrage est donné à la figure.

Couple de serrage correct pour boulon standard



1. Temps de serrage (en secondes) 2. Couple de serrage

Couple de serrage correct pour boulon à haute résistance



1. Temps de serrage (en secondes) 2. Couple de serrage

Tenez votre outil fermement et placez la pointe de l'embout de vissage dans la tête de la vis. Appliquez à l'outil une pression vers l'avant suffisante pour que l'embout ne glisse pas hors de la vis et mettez le contact.

REMARQUE : Si vous utilisez une batterie de secours pour continuer l'opération, laissez l'outil reposer au moins 15 minutes.

NOTE : Utilisez l'embout qui convient à la tête de la vis/du boulon utilisé(e).

NOTE : Lorsque vous fixez une vis M8 ou plus petite, réglez soigneusement la pression sur la gâchette de façon à ne pas endommager la vis.

NOTE : Tenez l'outil bien droit sur la vis.

NOTE : Si la force de choc est trop grande ou que vous serrez la vis plus longtemps que le temps indiqué dans les figures, la vis ou la pointe de l'embout de vissage risque d'être soumise à une force trop grande, d'être détruite, endommagée, etc. Avant de commencer votre travail, effectuez toujours un essai pour connaître le temps de serrage qui convient à la vis.

Le couple de serrage dépend d'un certain nombre de facteurs, comme suit. Une fois le serrage terminé, vérifiez toujours le couple avec une clé dynamométrique.

1. Lorsque la batterie est presque complètement déchargée, la tension tombe et le couple de serrage diminue.
2. Embout de vissage ou embout à douille
L'utilisation d'un embout de vissage ou d'un embout à douille de mauvaise dimension entraînera une réduction du couple de serrage.
3. Boulon
 - Même si le coefficient du couple et la catégorie du boulon sont les mêmes, le couple de serrage correct variera en fonction du diamètre de boulon.
 - Même si les diamètres des boulons sont les mêmes, le couple de serrage correct variera en fonction du coefficient de couple, de la catégorie du boulon et de la longueur du boulon.
4. Le couple de serrage est affecté par la façon dont vous tenez l'outil ou la pièce, ou par la position de vissage.
5. Le fonctionnement de l'outil à vitesse réduite entraîne une diminution du couple de serrage.

ENTRETIEN

ATTENTION : Assurez-vous toujours que l'outil est hors tension et que la batterie est retirée avant d'y effectuer tout travail d'inspection ou d'entretien.

REMARQUE : N'utilisez jamais d'essence, benzine, diluant, alcool ou autre produit similaire. Cela risquerait de provoquer la décoloration, la déformation ou la fissuration de l'outil.

Pour assurer la SÉCURITÉ et la FIABILITÉ du produit, toute réparation, tout travail d'entretien ou de réglage doivent être effectués par un centre d'entretien Makita agréé, avec des pièces de rechange Makita.

ACCESSOIRES EN OPTION

⚠ ATTENTION : Ces accessoires ou pièces complémentaires sont recommandés pour l'utilisation avec l'outil Makita spécifié dans ce mode d'emploi. L'utilisation de tout autre accessoire ou pièce complémentaire peut comporter un risque de blessure. N'utilisez les accessoires ou pièces complémentaires qu'aux fins auxquelles ils ont été conçus.

Pour obtenir plus de détails sur ces accessoires, contactez votre centre d'entretien local Makita.

- Embouts de vissage
- Embouts à douille
- Porte-embout
- Crochet
- Étui de transport en plastique
- Protecteur de la batterie
- Porte-outil
- Batterie et chargeur Makita d'origine

NOTE : Il se peut que certains éléments de la liste soient compris dans l'emballage de l'outil en tant qu'accessoires standard. Ils peuvent varier d'un pays à l'autre.

TECHNISCHE DATEN

Modell:		DTD153
Anzugskapazitäten	Maschinenschraube	4 mm - 8 mm
	Standardschraube	5 mm - 16 mm
	HV-Schraube	5 mm - 14 mm
Leerlaufdrehzahl		0 - 3.400 min ⁻¹
Schlagzahl pro Minute		0 - 3.600 min ⁻¹
Gesamtlänge		126 mm
Nennspannung		18 V Gleichstrom
Akku	BL1815, BL1815N, BL1820, BL1820B	BL1830, BL1830B, BL1840, BL1840B, BL1850, BL1850B, BL1860B
Nettogewicht	1,3 kg	1,5 kg

- Wir behalten uns vor, Änderungen der technischen Daten im Zuge der Entwicklung und des technischen Fortschritts ohne vorherige Ankündigung vorzunehmen.
- Die technischen Daten und der Akku können von Land zu Land unterschiedlich sein.
- Gewicht mit Akku nach EPTA-Verfahren 01/2003

Vorgesehene Verwendung

Das Werkzeug ist für das Eindrehen von Schrauben in Holz, Metall und Kunststoff vorgesehen.

Geräusch

Typischer A-bewerteter Geräuschpegel ermittelt gemäß EN60745:

Schalldruckpegel (L_{pA}): 96 dB (A)

Schallleistungspegel (L_{WA}): 107 dB (A)

Messunsicherheit (K): 3 dB (A)

⚠️ WARNUNG: Einen Gehörschutz tragen.

Schwingungen

Schwingungsgesamtwert (Drei-Achsen-Vektorsumme) ermittelt gemäß EN60745:

Arbeitsmodus: Schlagschrauben von Befestigungsteilen der maximalen Kapazität des Werkzeugs

Schwingungsemission (a_w): 13,0 m/s²

Messunsicherheit (K): 1,5 m/s²

HINWEIS: Der angegebene Schwingungsemissionswert wurde im Einklang mit der Standardprüfmethode gemessen und kann für den Vergleich zwischen Werkzeugen herangezogen werden.

HINWEIS: Der angegebene Schwingungsemissionswert kann auch für eine Vorbewertung des Gefährdungsgrads verwendet werden.

⚠️ WARNUNG: Die Schwingungsemission während der tatsächlichen Benutzung des Elektrowerkzeugs kann je nach der Benutzungsweise des Werkzeugs vom angegebenen Emissionswert abweichen.

⚠️ WARNUNG: Identifizieren Sie Sicherheitsmaßnahmen zum Schutz des Benutzers anhand einer Schätzung des Gefährdungsgrads unter den tatsächlichen Benutzungsbedingungen (unter Berücksichtigung aller Phasen des Arbeitszyklus, wie z. B. Ausschalt- und Leerlaufzeiten des Werkzeugs zusätzlich zur Betriebszeit).

EG-Konformitätserklärung

Nur für europäische Länder

Die EG-Konformitätserklärung ist als Anhang A in dieser Bedienungsanleitung enthalten.

SICHERHEITSWARNUNGEN

Allgemeine Sicherheitswarnungen für Elektrowerkzeuge

⚠️ WARNUNG: Lesen Sie alle Sicherheitswarnungen und Anweisungen durch. Eine Missachtung der unten aufgeführten Warnungen und Anweisungen kann zu einem elektrischen Schlag, Brand und/oder schweren Verletzungen führen.

Bewahren Sie alle Warnungen und Anweisungen für spätere Bezugnahme auf.

Der Ausdruck „Elektrowerkzeug“ in den Warnhinweisen bezieht sich auf Ihr mit Netzstrom (mit Kabel) oder Akku (ohne Kabel) betriebenes Elektrowerkzeug.

Sicherheitswarnungen für Akku-Schlagschrauber

1. Halten Sie das Elektrowerkzeug nur an den isolierten Griffflächen, wenn Sie Arbeiten ausführen, bei denen die Gefahr besteht, dass das Befestigungselement verborgene Kabel kontaktiert. Bei Kontakt mit einem Strom führenden Kabel können die freiliegenden Metallteile des Elektrowerkzeugs ebenfalls Strom führend werden, so dass der Benutzer einen elektrischen Schlag erleiden kann.
2. Achten Sie stets auf sicheren Stand. Vergewissern Sie sich bei Einsatz des Werkzeugs an hochgelegenen Arbeitsplätzen, dass sich keine Personen darunter aufhalten.
3. Halten Sie das Werkzeug mit festem Griff.
4. Tragen Sie Gehörschützer.
5. Berühren Sie den Einsatz oder das Werkstück nicht unmittelbar nach dem Arbeitsvorgang. Die Teile können sehr heiß sein und Hautverbrennungen verursachen.
6. Halten Sie Ihre Hände von rotierenden Teilen fern.

DIESE ANWEISUNGEN AUFBEWAHREN.

⚠️ WARNUNG: Lassen Sie sich NICHT durch Bequemlichkeit oder Vertrautheit mit dem Produkt (durch wiederholten Gebrauch erworben) von der strikten Einhaltung der Sicherheitsregeln für das vorliegende Produkt abhalten.

MISSBRAUCH oder Missachtung der Sicherheitsvorschriften in dieser Anleitung können schwere Verletzungen verursachen.

Wichtige Sicherheitsanweisungen für Akku

1. Lesen Sie vor der Benutzung des Akkus alle Anweisungen und Warnhinweise, die an (1) Ladegerät, (2) Akku und (3) Akkuwerkzeug angebracht sind.
2. Unterlassen Sie ein Zerlegen des Akkus.
3. Falls die Betriebszeit beträchtlich kürzer geworden ist, stellen Sie den Betrieb sofort ein. Anderenfalls besteht die Gefahr von Überhitzung, möglichen Verbrennungen und sogar einer Explosion.
4. Falls Elektrolyt in Ihre Augen gelangt, waschen Sie sie mit sauberem Wasser aus, und begeben Sie sich unverzüglich in ärztliche Behandlung. Anderenfalls können Sie Ihre Sehkraft verlieren.
5. Der Akku darf nicht kurzgeschlossen werden:
 - (1) Die Kontakte dürfen nicht mit leitfähigem Material berührt werden.
 - (2) Lagern Sie den Akku nicht in einem Behälter zusammen mit anderen Metallgegenständen, wie z. B. Nägel, Münzen usw.
 - (3) Setzen Sie den Akku weder Wasser noch Regen aus.

Ein Kurzschluss des Akkus verursacht starken Stromfluss, der Überhitzung, mögliche Verbrennungen und einen Defekt zur Folge haben kann.

6. Lagern Sie das Werkzeug und den Akku nicht an Orten, an denen die Temperatur 50 °C erreichen oder überschreiten kann.
7. Versuchen Sie niemals, den Akku zu verbrennen, selbst wenn er stark beschädigt oder vollkommen verbraucht ist. Der Akku kann im Feuer explodieren.
8. Achten Sie darauf, dass der Akku nicht fallen gelassen oder Stößen ausgesetzt wird.
9. Benutzen Sie keine beschädigten Akkus.
10. Die enthaltenen Lithium-Ionen-Akkus unterliegen den Anforderungen der Gefahrengut-Gesetzgebung.

Für kommerzielle Transporte, z. B. durch Dritte oder Spediteure, müssen besondere Anforderungen zu Verpackung und Etikettierung beachtet werden.

Zur Vorbereitung des zu transportierenden Artikels ist eine Beratung durch einen Experten für Gefahrengut erforderlich. Bitte beachten Sie möglicherweise ausführlichere nationale Vorschriften. Überkleben oder verdecken Sie offene Kontakte, und verpacken Sie den Akku so, dass er sich in der Verpackung nicht umher bewegen kann.
11. Befolgen Sie die örtlichen Bestimmungen bezüglich der Entsorgung von Akkus.

DIESE ANWEISUNGEN AUFBEWAHREN.

⚠️ VORSICHT: Verwenden Sie nur Original-Makita-Akkus. Die Verwendung von Nicht-Original-Makita-Akkus oder von Akkus, die abgeändert worden sind, kann zum Bersten des Akkus und daraus resultierenden Bränden, Personenschäden und Beschädigung führen. Außerdem wird dadurch die Makita-Garantie für das Makita-Werkzeug und -Ladegerät ungültig.

Hinweise zur Aufrechterhaltung der maximalen Akku-Nutzungsdauer

1. Laden Sie den Akku, bevor er vollkommen erschöpft ist. Schalten Sie das Werkzeug aus, und laden Sie den Akku, wenn Sie ein Nachlassen der Werkzeugleistung feststellen.
2. Unterlassen Sie erneutes Laden eines voll aufgeladenen Akkus. Überladen führt zu einer Verkürzung der Nutzungsdauer des Akkus.
3. Laden Sie den Akku bei Raumtemperatur zwischen 10 – 40 °C. Lassen Sie einen heißen Akku abkühlen, bevor Sie ihn laden.
4. Der Akku muss geladen werden, wenn er lange Zeit (länger als sechs Monate) nicht benutzt wird.

FUNKTIONSBESCHREIBUNG

⚠ VORSICHT: Vergewissern Sie sich vor der Durchführung von Einstellungen oder Funktionsprüfungen des Werkzeugs stets, dass das Werkzeug ausgeschaltet und der Akku abgenommen ist.

Anbringen und Abnehmen des Akkus

⚠ VORSICHT: Schalten Sie das Werkzeug stets aus, bevor Sie den Akku anbringen oder abnehmen.

⚠ VORSICHT: Halten Sie das Werkzeug und den Akku beim Anbringen oder Abnehmen des Akkus sicher fest. Wenn Sie das Werkzeug und den Akku nicht sicher festhalten, können sie Ihnen aus der Hand rutschen, was zu einer Beschädigung des Werkzeugs und des Akkus und zu Körperverletzungen führen kann.

► **Abb.1:** 1. Rote Anzeige 2. Knopf 3. Akku

Ziehen Sie den Akku zum Abnehmen vom Werkzeug ab, während Sie den Knopf an der Vorderseite des Akkus verschieben.

Richten Sie zum Anbringen des Akkus dessen Führungsfeder auf die Nut im Gehäuse aus, und schieben Sie den Akku hinein. Schieben Sie ihn vollständig ein, bis er mit einem hörbaren Klicken einrastet. Falls die rote Anzeige an der Oberseite des Knopfes sichtbar ist, ist der Akku nicht vollständig verriegelt.

⚠ VORSICHT: Schieben Sie den Akku stets bis zum Anschlag ein, bis die rote Anzeige nicht mehr sichtbar ist. Anderenfalls kann er aus dem Werkzeug herausfallen und Sie oder umstehende Personen verletzen.

⚠ VORSICHT: Unterlassen Sie Gewaltanwendung beim Anbringen des Akkus. Falls der Akku nicht reibungslos hineingleitet, ist er nicht richtig ausgerichtet.

Anzeigen der Akku-Restkapazität

Nur für Akkus mit „B“ am Ende der Modellnummer

► **Abb.2:** 1. Anzeigelampen 2. Prüftaste

Drücken Sie die Prüftaste am Akku, um die Akku-Restkapazität anzuzeigen. Die Anzeigelampen leuchten wenige Sekunden lang auf.

Anzeigelampen			Restkapazität
Erleuchtet	Aus	Blinkend	
■	□	◐	75 % bis 100 %
■	■	□	
■	■	□	
■	□	□	
■	□	□	
■	□	□	50 % bis 75 %
■	□	□	25 % bis 50 %
■	□	□	0 % bis 25 %
◐	□	□	Den Akku aufladen.

Anzeigelampen			Restkapazität
Erleuchtet	Aus	Blinkend	
■	□	◐	Möglicherweise liegt eine Funktionsstörung im Akku vor.
■	■	□	
■	■	□	
■	□	□	
■	□	□	

HINWEIS: Abhängig von den Benutzungsbedingungen und der Umgebungstemperatur kann die Anzeige geringfügig von der tatsächlichen Kapazität abweichen.

Werkzeug/Akku-Schutzsystem

Das Werkzeug ist mit einem Werkzeug/Akku-Schutzsystem ausgestattet. Dieses System schaltet die Stromversorgung des Motors automatisch ab, um die Lebensdauer von Werkzeug und Akku zu verlängern. Das Werkzeug bleibt während des Betriebs automatisch stehen, wenn das Werkzeug oder der Akku einer der folgenden Bedingungen unterliegt:

Überlastschutz

Wird der Akku auf eine Weise benutzt, die eine ungewöhnlich hohe Stromaufnahme bewirkt, bleibt das Werkzeug ohne jegliche Anzeige automatisch stehen. Schalten Sie in dieser Situation das Werkzeug aus, und brechen Sie die Arbeit ab, die eine Überlastung des Werkzeugs verursacht hat. Schalten Sie dann das Werkzeug wieder ein, um es neu zu starten.

Überhitzungsschutz

Wenn das Werkzeug/der Akku überhitzt wird, bleibt das Werkzeug automatisch stehen. Lassen Sie den Akku in dieser Situation abkühlen, bevor Sie das Werkzeug wieder einschalten.

Überentladungsschutz

Wenn die Akkukapazität unzureichend wird, bleibt das Werkzeug automatisch stehen. Nehmen Sie in diesem Fall den Akku vom Werkzeug ab, und laden Sie ihn auf.

HINWEIS: Der Überlastschutz funktioniert nur mit Akkus, die mit einem Sternsymbol gekennzeichnet sind.

► **Abb.3:** 1. Sternsymbol

Schalterfunktion

► **Abb.4:** 1. Ein-Aus-Schalter

⚠ VORSICHT: Vergewissern Sie sich vor dem Einsetzen des Akkus in das Werkzeug stets, dass der Ein-Aus-Schalter ordnungsgemäß funktioniert und beim Loslassen in die AUS-Stellung zurückkehrt.

Drücken Sie zum Einschalten des Werkzeugs einfach den Ein-Aus-Schalter. Die Drehzahl erhöht sich durch verstärkte Druckausübung auf den Ein-Aus-Schalter. Lassen Sie den Ein-Aus-Schalter zum Anhalten los.

Einschalten der Frontlampe

► **Abb.5:** 1. Lampe

⚠ VORSICHT: Blicken Sie nicht direkt in die Lampe oder die Lichtquelle.

Betätigen Sie den Ein-Aus-Schalter, um die Lampe einzuschalten. Die Lampe bleibt erleuchtet, solange der Ein-Aus-Schalter gedrückt gehalten wird. Die Lampe erlischt ungefähr 10 Sekunden nach dem Loslassen des Ein-Aus-Schalters.

HINWEIS: Wischen Sie Schmutz auf der Lampenlinse mit einem trockenen Tuch ab. Achten Sie sorgfältig darauf, dass Sie die Lampenlinse nicht verkratzen, weil sich sonst die Lichtstärke verringert.

Funktion des Drehrichtungsumschalters

► **Abb.6:** 1. Drehrichtungsumschalthebel

⚠ VORSICHT: Prüfen Sie stets die Drehrichtung, bevor Sie mit der Arbeit beginnen.

⚠ VORSICHT: Betätigen Sie den Drehrichtungsumschalter erst, nachdem das Werkzeug völlig zum Stillstand gekommen ist. Durch Umschalten der Drehrichtung bei noch laufendem Werkzeug kann das Werkzeug beschädigt werden.

⚠ VORSICHT: Stellen Sie den Drehrichtungsumschalthebel stets auf die Neutralstellung, wenn Sie das Werkzeug nicht benutzen.

Dieses Werkzeug besitzt einen Drehrichtungsumschalter. Drücken Sie auf die Seite A des Drehrichtungsumschalthebels für Rechtsdrehung, und auf die Seite B für Linksdrehung. In der Neutralstellung des Drehrichtungsumschalthebels ist der Ein-Aus-Schalter verriegelt.

MONTAGE

⚠ VORSICHT: Vergewissern Sie sich vor der Ausführung von Arbeiten am Werkzeug stets, dass das Werkzeug ausgeschaltet und der Akku abgenommen ist.

Montage und Demontage von Schraubendrehereinsatz/ Steckschlüsseinsatz

► **Abb.7**

Verwenden Sie nur Schraubendrehereinsätze/ Steckschlüsseleinsätze, deren Einschubteil die in der Abbildung gezeigte Form hat. Verwenden Sie keinen anderen Schraubendrehereinsatz/ Steckschlüsseleinsatz.

Für Werkzeug mit flacher Schraubendrehereinsatzaufnahme

A=12 mm
B=9 mm

Nur diese Schraubendrehereinsatztypen verwenden. Wenden Sie Verfahren 1 an. (Hinweis) Einsatzhalter wird nicht benötigt.

Für Werkzeug mit tiefer Schraubendrehereinsatzaufnahme

A=17 mm
B=14 mm

Zur Montage dieser Schraubendrehereinsatztypen wenden Sie Verfahren 1 an.

A=12 mm
B=9 mm

Zur Montage dieser Schraubendrehereinsatztypen wenden Sie Verfahren 2 an. (Hinweis) Für die Montage des Einsatzes wird ein Einsatzhalter benötigt.

Verfahren 1

Für Werkzeug ohne Schnellaufnahme

► **Abb.8:** 1. Schraubendrehereinsatz
2. Werkzeugaufnahme

Ziehen Sie die Werkzeugaufnahme zum Anbringen des Schraubendrehereinsatzes in Pfeilrichtung, und führen Sie den Schraubendrehereinsatz bis zum Anschlag in die Werkzeugaufnahme ein.

Lassen Sie dann die Werkzeugaufnahme los, um den Schraubendrehereinsatz zu sichern.

Für Werkzeug mit Schnellaufnahme

Führen Sie den Schraubendrehereinsatz zum Montieren bis zum Anschlag in die Werkzeugaufnahme ein.

Verfahren 2

Führen Sie den Einsatzhalter zusätzlich zum obigen **Verfahren 1** mit dem spitzen Ende nach innen in die Werkzeugaufnahme ein.

► **Abb.9:** 1. Schraubendrehereinsatz 2. Einsatzhalter
3. Werkzeugaufnahme

Ziehen Sie die Werkzeugaufnahme zum Abnehmen des Schraubendrehereinsatzes in Pfeilrichtung, und ziehen Sie dann den Schraubendrehereinsatz heraus.

HINWEIS: Wird der Schraubendrehereinsatz nicht tief genug in die Werkzeugaufnahme eingeführt, kehrt die Werkzeugaufnahme nicht zur Ausgangsstellung zurück, so dass der Schraubendrehereinsatz nicht eingespannt wird. Versuchen Sie in diesem Fall, den Einsatz wie oben beschrieben neu einzuführen.

HINWEIS: Wenn das Einführen des Schraubendrehereinsatzes schwierig ist, ziehen Sie die Werkzeugaufnahme zurück, und führen Sie dann den Einsatz bis zum Anschlag in die Werkzeugaufnahme ein.

HINWEIS: Vergewissern Sie sich nach dem Einführen des Schraubendrehereinsatzes, dass er einwandfrei gesichert ist. Verwenden Sie ihn nicht, falls er herausrutscht.

Montieren des Aufhängers

► Abb.10: 1. Führungsnut 2. Aufhänger 3. Schraube

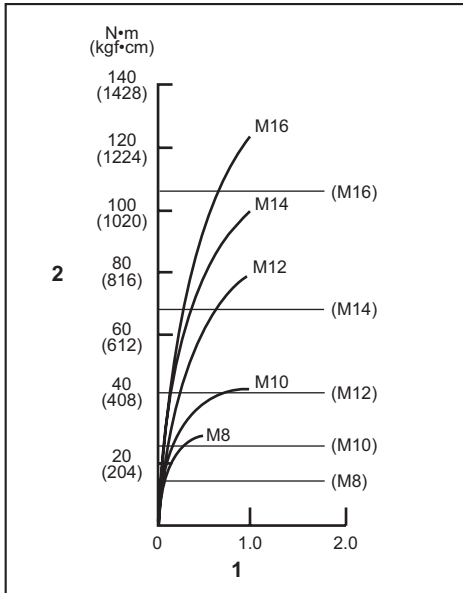
Der Aufhänger ist praktisch, um das Werkzeug vorübergehend aufzuhängen. Der Aufhänger kann auf beiden Seiten des Werkzeugs angebracht werden. Um den Aufhänger anzubringen, führen Sie ihn in die Nut entweder auf der linken oder rechten Seite des Werkzeuggehäuses ein, und sichern Sie ihn dann mit einer Schraube. Um den Aufhänger zu entfernen, lösen Sie die Schraube, und nehmen Sie dann den Aufhänger heraus.

BETRIEB

► Abb.11

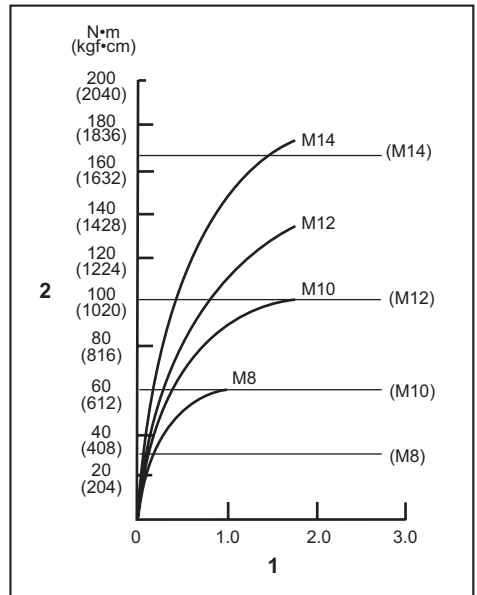
Das korrekte Anzugsmoment hängt u. a. von der Art oder Größe der Schrauben oder dem Material des zu verschraubenden Werkstücks ab. Der Zusammenhang zwischen Anzugsmoment und Anzugszeit ist aus den Diagrammen ersichtlich.

Korrektes Anzugsmoment für Standardschrauben



1. Anzugszeit (Sekunden) 2. Anzugsmoment

Korrektes Anzugsmoment für HV-Schrauben



1. Anzugszeit (Sekunden) 2. Anzugsmoment

Halten Sie das Werkzeug mit festem Griff, und setzen Sie die Spitze des Schraubendrehereinsatzes in den Schraubenkopf ein. Üben Sie Vorwärtsdruck auf das Werkzeug aus, so dass der Einsatz nicht von der Schraube abrutscht, und schalten Sie das Werkzeug ein, um mit der Schraubarbeit zu beginnen.

ANMERKUNG: Wenn Sie die Arbeit mit einem Ersatzzaku fortsetzen wollen, lassen Sie das Werkzeug mindestens 15 Minuten lang abkühlen.

HINWEIS: Verwenden Sie einen für den Kopf der anzuziehenden Schraube passenden Einsatz.

HINWEIS: Üben Sie beim Anziehen von Schrauben der Größe M8 oder kleiner vorsichtigen Druck auf den Ein-Aus-Schalter aus, damit die Schraube nicht beschädigt wird.

HINWEIS: Halten Sie das Werkzeug gerade auf die Schraube gerichtet.

HINWEIS: Wenn die Schlagkraft zu hoch ist oder die in den Diagrammen angegebene Anzugszeit überschritten wird, können die Schraube oder die Spitze des Schraubendrehereinsatzes überlastet, ausgerissen oder beschädigt werden. Führen Sie vor Arbeitsbeginn stets eine Probeverschraubung durch, um die geeignete Anzugszeit für die jeweilige Schraube zu ermitteln.

Das Anzugsmoment unterliegt einer Reihe von Einflüssen, einschließlich der folgenden. Überprüfen Sie das Anzugsmoment nach dem Anziehen stets mit einem Drehmomentschlüssel.

1. Wenn der Akku nahezu erschöpft ist, fällt die Spannung ab, und das Anzugsmoment verringert sich.
2. Schraubendreher- oder Steckschlüsseleinsatz Die Verwendung eines Schraubendreher- oder Steckschlüsseleinsatzes der falschen Größe bewirkt eine Verringerung des Anzugsmoments.

3. Schraube
 - Selbst wenn der Drehmoment-Koeffizient und der Typ der Schraube gleich sind, ändert sich das korrekte Anzugsmoment je nach dem Durchmesser der Schraube.
 - Selbst wenn Schrauben den gleichen Durchmesser haben, ist das korrekte Anzugsmoment je nach Drehmoment-Koeffizient, Typ und Länge der Schraube unterschiedlich.
4. Die Art und Weise, wie das Werkzeug gehalten wird, oder das Material der Verschraubungsposition beeinflusst das Anzugsmoment.
5. Der Betrieb des Werkzeugs mit niedriger Drehzahl hat eine Reduzierung des Anzugsmoments zur Folge.

WARTUNG

⚠ VORSICHT: Vergewissern Sie sich vor der Durchführung von Inspektions- oder Wartungsarbeiten stets, dass das Werkzeug ausgeschaltet und der Akku abgenommen ist.

ANMERKUNG: Verwenden Sie auf keinen Fall Benzin, Waschbenzin, Verdünner, Alkohol oder dergleichen. Solche Mittel können Verfärbung, Verformung oder Rissbildung verursachen.

Um die SICHERHEIT und ZUVERLÄSSIGKEIT dieses Produkts zu gewährleisten, sollten Reparaturen und andere Wartungs- oder Einstellarbeiten nur von Makita-Vertragswerkstätten oder Makita-Kundendienstzentren unter ausschließlicher Verwendung von Makita-Originalersatzteilen ausgeführt werden.

SONDERZUBEHÖR

⚠ VORSICHT: Die folgenden Zubehörteile oder Vorrichtungen werden für den Einsatz mit dem in dieser Anleitung beschriebenen Makita-Werkzeug empfohlen. Die Verwendung anderer Zubehörteile oder Vorrichtungen kann eine Verletzungsgefahr darstellen. Verwenden Sie Zubehörteile oder Vorrichtungen nur für ihren vorgesehenen Zweck.

Wenn Sie weitere Einzelheiten bezüglich dieser Zubehörteile benötigen, wenden Sie sich bitte an Ihre Makita-Kundendienststelle.

- Schraubendrehereinsätze
- Steckschlüsseleinsätze
- Einsatzhalter
- Aufhänger
- Plastikkoffer
- Akkuschützer
- Werkzeugaufhänger
- Original-Makita-Akku und -Ladegerät

HINWEIS: Manche Teile in der Liste können als Standardzubehör im Werkzeugsatz enthalten sein. Sie können von Land zu Land unterschiedlich sein.

DATI TECNICI

Modello:		DTD153	
Capacità di serraggio	Vite per metallo	4 mm - 8 mm	
	Bullone standard	5 mm - 16 mm	
	Bullone ad alta resistenza alla trazione	5 mm - 14 mm	
Velocità a vuoto		0 - 3.400 min ⁻¹	
Impulsi al minuto		0 - 3.600 min ⁻¹	
Lunghezza totale		126 mm	
Tensione nominale		18 V CC	
Cartuccia della batteria		BL1815, BL1815N, BL1820, BL1820B	BL1830, BL1830B, BL1840, BL1840B, BL1850, BL1850B, BL1860B
Peso netto		1,3 kg	1,5 kg

- A causa del nostro programma continuativo di ricerca e sviluppo, i dati tecnici sono soggetti a modifiche senza preavviso.
- I dati tecnici e la cartuccia della batteria potrebbero differire da nazione a nazione.
- Peso, con cartuccia della batteria, secondo la Procedura EPTA 01/2003

Utilizzo previsto

Questo utensile è progettato per avvitare le viti in legno, metallo e plastica.

Rumore

Livello tipico di rumore pesato A determinato in base allo standard EN60745:

Livello di pressione sonora (L_{pA}): 96 dB (A)

Livello di potenza sonora (L_{WA}): 107 dB (A)

Incertezza (K): 3 dB (A)

AVVERTIMENTO: Indossare protezioni per le orecchie.

Vibrazioni

Valore totale delle vibrazioni (somma vettoriale triassiale) determinato in base allo standard EN60745:

Modalità di lavoro: serraggio a impulsi di elementi di fissaggio della capacità massima dell'utensile

Emissione di vibrazioni (a_h): 13,0 m/s²

Incertezza (K): 1,5 m/s²

NOTA: Il valore di emissione delle vibrazioni dichiarato è stato misurato in conformità al metodo standard di verifica, e può essere utilizzato per confrontare un utensile con un altro.

NOTA: Il valore di emissione delle vibrazioni dichiarato può venire utilizzato anche per una valutazione preliminare dell'esposizione.

AVVERTIMENTO: L'emissione delle vibrazioni durante l'utilizzo effettivo dell'utensile elettrico può variare rispetto al valore di emissione dichiarato, a seconda dei modi in cui viene utilizzato l'utensile.

AVVERTIMENTO: Accertarsi di identificare le misure di sicurezza per la protezione dell'operatore basate sulla stima dell'esposizione nelle condizioni effettive di utilizzo (tenendo presente tutte le parti del ciclo operativo, ad esempio le volte in cui l'utensile viene spento e quando gira a vuoto, oltre al tempo di attivazione).

Dichiarazione di conformità CE

Solo per i paesi europei

La dichiarazione di conformità CE è inclusa nell'Allegato A al presente manuale di istruzioni.

AVVERTENZE DI SICUREZZA

Avvertenze generali relative alla sicurezza dell'utensile elettrico

AVVERTIMENTO: Leggere tutte le avvertenze relative alla sicurezza e tutte le istruzioni. La mancata osservanza delle avvertenze e delle istruzioni può risultare in scosse elettriche, incendi e/o gravi lesioni personali.

Conservare tutte le avvertenze e le istruzioni come riferimento futuro.

Il termine "utensile elettrico" nelle avvertenze si riferisce sia all'utensile elettrico (cablato) nel funzionamento alimentato da rete elettrica che all'utensile elettrico (a batteria) nel funzionamento alimentato a batteria.

Avvertenze di sicurezza relative all'avvitatore a massa battente a batteria

1. **Tenere l'utensile elettrico per le sue superfici di impugnatura isolate, quando si intende eseguire un'operazione in cui un elemento di fissaggio potrebbe fare contatto con fili elettrici nascosti.**
Gli elementi di fissaggio che fanno contatto con un filo elettrico sotto tensione potrebbero mettere sotto tensione le parti metalliche esposte dell'utensile elettrico, e potrebbero dare una scossa elettrica all'operatore.
2. **Accertarsi sempre di appoggiare i piedi saldamente.**
Quando si intende utilizzare l'utensile in posizioni elevate, accertarsi sempre che non sia presente alcuna persona sotto.
3. **Tenere l'utensile ben fermo in mano.**
4. **Indossare protezioni per le orecchie.**
5. **Non toccare la punta o il pezzo subito dopo l'uso. La loro temperatura potrebbe essere estremamente elevata e potrebbero causare ustioni.**
6. **Tenere le mani lontane dalle parti rotanti.**

CONSERVARE LE PRESENTI ISTRUZIONI.

⚠AVVERTIMENTO: NON lasciare che la comodità o la familiarità d'uso con il prodotto (acquisita con l'uso ripetuto) sostituiscano la stretta osservanza delle norme di sicurezza.

L'USO IMPROPRIO o la mancata osservanza delle norme di sicurezza riportate nel presente manuale di istruzioni potrebbero causare lesioni personali gravi.

Istruzioni di sicurezza importanti per la cartuccia della batteria

1. **Prima di utilizzare la cartuccia della batteria, leggere tutte le istruzioni e le avvertenze riportate (1) sul caricabatteria, (2) sulla batteria e (3) sul prodotto che utilizza la batteria.**
2. **Non smontare la cartuccia della batteria.**
3. **Qualora il tempo di utilizzo si riduca eccessivamente, interrompere immediatamente l'utilizzo dell'utensile. In caso contrario, si può incorrere nel rischio di surriscaldamento, possibili ustioni e persino un'esplosione.**
4. **Qualora l'elettrolita entri in contatto con gli occhi, sciacquarli con acqua pulita e richiedere immediatamente assistenza medica. Questa eventualità può risultare nella perdita della vista.**

5. **Non cortocircuitare la cartuccia della batteria:**
 - (1) **Non toccare i terminali con alcun materiale conduttivo.**
 - (2) **Evitare di conservare la cartuccia della batteria in un contenitore insieme ad altri oggetti metallici quali chiodi, monete, e così via.**
 - (3) **Non esporre la cartuccia della batteria all'acqua o alla pioggia.**

Un cortocircuito della batteria può causare un grande flusso di corrente, un surriscaldamento, possibili ustioni e persino un guasto.

6. **Non conservare l'utensile e la cartuccia della batteria in ubicazioni in cui la temperatura possa raggiungere o superare i 50°C.**
7. **Non incenerire la cartuccia della batteria anche qualora sia gravemente danneggiata o completamente esaurita. La cartuccia della batteria può esplodere se a contatto con il fuoco.**
8. **Fare attenzione a non far cadere e a non colpire la batteria.**
9. **Non utilizzare una batteria danneggiata.**
10. **Le batterie a ioni di litio contenute sono soggette ai requisiti del regolamento sul trasporto di merci pericolose (Dangerous Goods Legislation).**
Per trasporti commerciali, ad esempio da parte di terzi o spedizionieri, è necessario osservare dei requisiti speciali sull'imballaggio e sull'etichetta.
Per la preparazione dell'articolo da spedire, è richiesta la consulenza di un esperto in materiali pericolosi.
Attenersi anche alle normative nazionali, che potrebbero essere più dettagliate.
Nastrare o coprire i contatti aperti e imballare la batteria in modo tale che non si possa muovere liberamente all'interno dell'imballaggio.
11. **Attenersi alle normative locali relative allo smaltimento della batteria.**

CONSERVARE LE PRESENTI ISTRUZIONI.

⚠ATTENZIONE: Utilizzare solo batterie originali Makita. L'utilizzo di batterie Makita non originali, o di batterie che siano state alterate, potrebbe risultare nello scoppio della batteria, causando incendi, lesioni personali e danni. Inoltre, ciò potrebbe invalidare la garanzia Makita per l'utensile e il caricabatterie Makita.

Suggerimenti per preservare la durata massima della batteria

1. **Caricare la cartuccia della batteria prima che si scarichi completamente. Smettere sempre di utilizzare l'utensile e caricare la cartuccia della batteria quando si nota che la potenza dell'utensile è diminuita.**
2. **Non ricaricare mai una cartuccia della batteria completamente carica. La sovraccarica riduce la vita utile della batteria.**
3. **Caricare la cartuccia della batteria a una temperatura ambiente compresa tra 10°C e 40°C. Lasciar raffreddare una cartuccia della batteria prima di caricarla.**
4. **Caricare la cartuccia della batteria se non la si è utilizzata per un periodo di tempo prolungato (più di sei mesi).**

DESCRIZIONE DELLE FUNZIONI

⚠ATTENZIONE: Accertarsi sempre che l'utensile sia spento e che la cartuccia della batteria sia stata rimossa prima di regolare o di controllare il funzionamento dell'utensile.

Installazione o rimozione della cartuccia della batteria

⚠ATTENZIONE: Spegnerne sempre l'utensile prima di installare o rimuovere la cartuccia della batteria.

⚠ATTENZIONE: Mantenere saldamente lo strumento e la batteria quando si intende installare o rimuovere la cartuccia della batteria. Qualora non si mantengono saldamente lo strumento e la cartuccia della batteria, questi ultimi potrebbero scivolare dalle mani, con la possibilità di causare un danneggiamento dello strumento e della cartuccia della batteria, nonché una lesione personale.

► **Fig. 1:** 1. Indicatore rosso 2. Pulsante 3. Cartuccia della batteria

Per rimuovere la cartuccia della batteria, farla scorrere via dall'utensile mentre si fa scorrere allo stesso tempo il pulsante sulla parte anteriore della cartuccia.

Per installare la cartuccia della batteria, allineare l'appendice della batteria con la scanalatura nell'alloggiamento e farla scivolare in sede. Inserirla completamente fino al suo blocco in sede con un leggero scatto. Se è possibile vedere l'indicatore rosso sul lato superiore del pulsante, la batteria non è bloccata completamente.

⚠ATTENZIONE: Installare sempre fino in fondo la cartuccia della batteria, fino a quando l'indicatore rosso non è più visibile. In caso contrario, la batteria potrebbe cadere accidentalmente dall'utensile, causando lesioni personali all'operatore o a chi gli è vicino.

⚠ATTENZIONE: Non installare forzatamente la cartuccia della batteria. Qualora la batteria non si inserisca scorrendo agevolmente, vuol dire che non viene inserita correttamente.

Indicazione della carica residua della batteria

Solo per le cartucce delle batterie con una "B" alla fine del numero del modello

► **Fig. 2:** 1. Indicatori luminosi 2. Pulsante di controllo
Premere il pulsante di controllo sulla cartuccia della batteria per indicare la carica residua della batteria. Gli indicatori luminosi si illuminano per alcuni secondi.

Indicatori luminosi			Carica residua
■ Illuminato	□ Spento	▬ Lampeggiante	
■ ■ ■ ■			Dal 75% al 100%
■ ■ ■ □			Dal 50% al 75%
■ ■ □ □			Dal 25% al 50%
■ □ □ □			Dallo 0% al 25%
▬ □ □ □			Caricare la batteria.
■ ■ □ □		↑ ↓	La batteria potrebbe essersi guastata.

NOTA: A seconda delle condizioni d'uso e della temperatura ambiente, l'indicazione potrebbe variare leggermente rispetto alla carica effettiva.

Sistema di protezione strumento/batteria

L'utensile è dotato di un sistema di protezione dell'utensile stesso e della batteria. Tale sistema interrompe automaticamente l'alimentazione al motore per prolungare la vita utile dell'utensile e della batteria. L'utensile si arresta automaticamente durante il funzionamento, qualora l'utensile o la batteria vengano a trovarsi in una delle condizioni seguenti:

Protezione dal sovraccarico

Quando la batteria viene utilizzata in modo tale da causare un assorbimento di corrente elevato in modo anomalo, l'utensile si arresta automaticamente senza alcuna indicazione. In questa situazione, spegnere l'utensile e interrompere l'applicazione che ha fatto sovraccaricare l'utensile. Quindi, accendere l'utensile per ricominciare.

Protezione dal surriscaldamento

Quando l'utensile o la batteria sono surriscaldati, l'utensile si arresta automaticamente. In questa situazione, lasciare che la batteria si raffreddi prima di riaccendere l'utensile.

Protezione dalla sovrascarica

Quando la carica della batteria non è sufficiente, l'utensile si arresta automaticamente. In tal caso, rimuovere la batteria dall'utensile e caricarla.

NOTA: La protezione dal sovraccarico funziona solo con le batterie dotate di marcatura a stella.

► **Fig. 3:** 1. Marcatura a stella

Funzionamento dell'interruttore

► Fig.4: 1. Interruttore a grilletto

⚠ATTENZIONE: Prima di inserire la cartuccia della batteria nell'utensile, controllare sempre che l'interruttore a grilletto funzioni correttamente e torni sulla posizione "OFF" quando viene rilasciato.

Per avviare l'utensile, è sufficiente premere l'interruttore a grilletto. La velocità dell'utensile viene aumentata incrementando la pressione sull'interruttore a grilletto. Rilasciare l'interruttore a grilletto per arrestare l'utensile.

Accensione della lampadina anteriore

► Fig.5: 1. Lampadina

⚠ATTENZIONE: Non osservare né guardare direttamente la fonte di luce.

Premere l'interruttore a grilletto per accendere la lampadina. La lampadina resta accesa fintanto che l'interruttore a grilletto è premuto. La lampadina si spegne circa 10 secondi dopo che si è rilasciato l'interruttore a grilletto.

NOTA: Per pulire la sporcizia dalla lente della lampadina, utilizzare un panno asciutto. Fare attenzione a non graffiare la lente della lampadina, altrimenti si potrebbe ridurre l'illuminazione.

Uso del commutatore di inversione della rotazione

► Fig.6: 1. Leva del commutatore di inversione della rotazione

⚠ATTENZIONE: Controllare sempre la direzione di rotazione prima dell'uso.

⚠ATTENZIONE: Utilizzare il commutatore di inversione della rotazione solo dopo l'arresto completo dell'utensile. Qualora si cambi la direzione di rotazione prima dell'arresto dell'utensile, si potrebbe danneggiare quest'ultimo.

⚠ATTENZIONE: Quando l'utensile non è in uso, impostare sempre la leva del commutatore di inversione della rotazione sulla posizione centrale.

Questo utensile è dotato di un commutatore di inversione della rotazione, per cambiare la direzione di rotazione. Premere la leva del commutatore di inversione della rotazione dal lato A per la rotazione in senso orario, o dal lato B per la rotazione in senso antiorario. Quando la leva del commutatore di inversione della rotazione si trova sulla posizione centrale, non è possibile premere l'interruttore a grilletto.

MONTAGGIO

⚠ATTENZIONE: Accertarsi sempre che l'utensile sia spento e che la cartuccia della batteria sia stata rimossa, prima di effettuare qualsiasi intervento sull'utensile.

Installazione o rimozione della punta per avvitatore o della punta a bussola

► Fig.7

Utilizzare solo una punta per avvitatore o una punta a bussola dotata della parte di inserimento indicata in figura. Non utilizzare punte per avvitatore o punte a bussola di tipo diverso.

Per un utensile con foro poco profondo per la punta per avvitatore

A=12 mm B=9 mm	Utilizzare solo questo tipo di punta per avvitatore. Attenersi alla procedura 1. (Nota) L'adattatore per punte non è necessario.
-------------------	---

Per un utensile con foro profondo per la punta per avvitatore

A=17 mm B=14 mm	Per installare questi tipi di punte per avvitatore, attenersi alla procedura 1.
A=12 mm B=9 mm	Per installare questi tipi di punte per avvitatore, attenersi alla procedura 2. (Nota) L'adattatore per punte è necessario per installare la punta.

Procedura 1

Per utensili senza manicotto di tipo "a un tocco"

► Fig.8: 1. Punta per avvitatore 2. Manicotto

Per installare la punta per avvitatore, tirare il manicotto nella direzione della freccia e inserire fino in fondo la punta per avvitatore nel manicotto. Quindi, sbloccare il manicotto per fissare la punta per avvitatore.

Per utensili con manicotto di tipo "a un tocco"

Per installare la punta per avvitatore, inserire quest'ultima nel manicotto fino in fondo.

Procedura 2

In aggiunta alla **Procedura 1**, inserire l'adattatore per punte nel manicotto con l'estremità appuntita rivolta verso l'interno.

► Fig.9: 1. Punta per avvitatore 2. Adattatore per punte 3. Manicotto

Per rimuovere la punta per avvitatore, tirare il manicotto nella direzione della freccia ed estrarre la punta per avvitatore.

NOTA: Qualora la punta per avvitatore non sia inserita fino in fondo nel manicotto, quest'ultimo non torna sulla sua posizione originale e la punta per avvitatore non viene fissata. In tal caso, provare a reinserire la punta attenendosi alle istruzioni indicate sopra.

NOTA: Qualora sia difficile inserire la punta per avvitatore, tirare il manicotto e inserirla nel manicotto fino in fondo.

NOTA: Dopo aver inserito la punta per avvitatore, accertarsi che sia fissata saldamente. Qualora fuoriscia, non utilizzarla.

Installazione del gancio

► Fig.10: 1. Scanalatura 2. Gancio 3. Vite

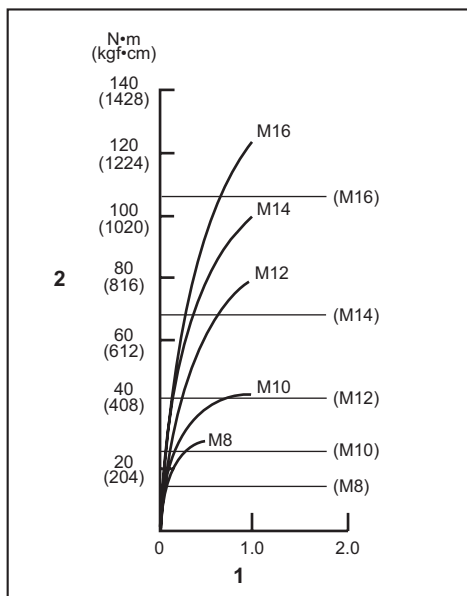
Il gancio è utile per appendere temporaneamente l'utensile. Può essere installato da entrambi i lati dell'utensile. Per installare il gancio, inserirlo in una scanalatura da uno dei lati del corpo dell'utensile, quindi fissarlo con una vite. Per rimuoverlo, allentare la vite ed estrarlo.

FUNZIONAMENTO

► Fig.11

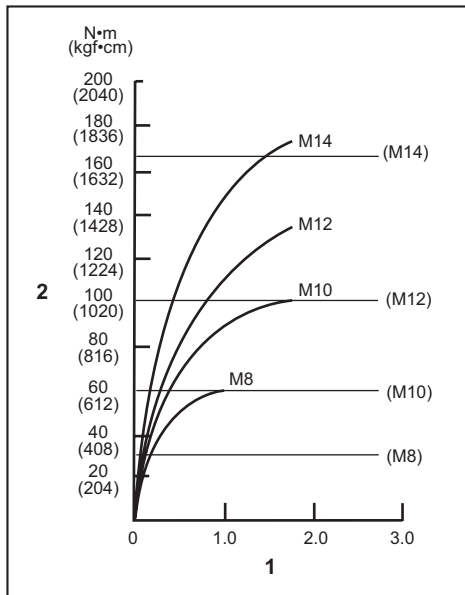
La coppia di serraggio corretta potrebbe variare a seconda del tipo o delle dimensioni della vite/bullone, del materiale del pezzo da fissare, e così via. Il rapporto tra la coppia e il tempo di serraggio è mostrato nelle figure.

Coppia di serraggio corretta per un bullone standard



1. Tempo di serraggio (secondi) 2. Coppia di serraggio

Coppia di serraggio corretta per un bullone ad alta resistenza alla trazione



1. Tempo di serraggio (secondi) 2. Coppia di serraggio

Tenere saldamente l'utensile e posizionare l'estremità della punta per avvitatore nella testa della vite. Esercitare una pressione in avanti sull'utensile in modo che la punta non scivoli via dalla vite, quindi accendere l'utensile per iniziare a utilizzarlo.

AVVISO: Se si utilizza una batteria di ricambio per proseguire l'operazione, lasciar riposare l'utensile per almeno 15 min.

NOTA: Utilizzare la punta adatta alla testa della vite o del bullone che si desidera utilizzare.

NOTA: Quando si intende serrare viti M8 o più piccole, regolare con cura la pressione sull'interruttore a grilletto, in modo da non danneggiare la vite.

NOTA: Tenere l'utensile puntato diritto sulla vite.

NOTA: Qualora la forza degli impulsi sia eccessiva o la vite venga serrata per un tempo più lungo di quello mostrato nelle figure, la vite o l'estremità della punta per avvitatore potrebbero subire una sollecitazione eccessiva, spanarsi, danneggiarsi, e così via. Prima di cominciare il lavoro, fare sempre una prova per determinare il tempo di serraggio appropriato alla vite utilizzata.

La coppia di serraggio è influenzata da un'ampia gamma di fattori, inclusi quelli seguenti. Dopo il serraggio, controllare sempre la coppia con una chiave torsiometrica.

- Quando la cartuccia della batteria è quasi completamente scarica, la tensione scende e la coppia di serraggio si riduce.
- Punta per avvitatore o punta a bussola. Qualora non si utilizzi la punta per avvitatore o la punta a bussola di dimensioni corrette, si causa una riduzione della coppia di serraggio.

3. Bullone
 - Anche se il coefficiente di coppia e la classe del bullone sono identici, la coppia di serraggio corretta varia a seconda del diametro del bullone.
 - Anche se i diametri dei bulloni sono identici, la coppia di serraggio corretta varia a seconda del coefficiente di coppia, della classe e della lunghezza del bullone.
4. La coppia è influenzata da come si tiene l'utensile e dal materiale nella posizione di serraggio da fissare.
5. Facendo funzionare l'utensile a bassa velocità si causa una riduzione della coppia di serraggio.

MANUTENZIONE

⚠ATTENZIONE: Accertarsi sempre che l'utensile sia spento e che la cartuccia della batteria sia stata rimossa prima di tentare di eseguire interventi di ispezione o manutenzione.

AVVISO: Non utilizzare mai benzina, benzene, solventi, alcol o altre sostanze simili. In caso contrario, si potrebbero causare scolorimenti, deformazioni o crepe.

Per preservare la SICUREZZA e l'AFFIDABILITÀ del prodotto, le riparazioni e qualsiasi altro intervento di manutenzione e di regolazione devono essere eseguiti da un centro di assistenza autorizzato Makita, utilizzando sempre ricambi Makita.

ACCESSORI OPZIONALI

⚠ATTENZIONE: Questi accessori o componenti aggiuntivi sono consigliati per l'uso con l'utensile Makita specificato nel presente manuale. L'impiego di altri accessori o componenti aggiuntivi può costituire un rischio di lesioni alle persone. Utilizzare gli accessori o i componenti aggiuntivi solo per il loro scopo prefissato.

Per ottenere ulteriori dettagli relativamente a questi accessori, rivolgersi a un centro di assistenza Makita.

- Punta per avvitatore
- Punta a bussola
- Adattatore per punta
- Gancio
- Valigetta di plastica
- Custodia batteria
- Portautensile
- Batteria e caricabatterie originali Makita

NOTA: Alcuni articoli nell'elenco potrebbero essere inclusi nell'imballaggio dell'utensile come accessori standard. Tali articoli potrebbero variare da nazione a nazione.

TECHNISCHE GEGEVENS

Model:		DTD153
Bevestigingscapaciteiten	Kolomschroef	4 mm - 8 mm
	Standaardbout	5 mm - 16 mm
	Bout met hoge trekvastheid	5 mm - 14 mm
Nullasttoerental		0 - 3.400 min ⁻¹
Slagen per minuut		0 - 3.600 min ⁻¹
Totale lengte		126 mm
Nominale spanning		18 V gelijkspanning
Accu	BL1815, BL1815N, BL1820, BL1820B	BL1830, BL1830B, BL1840, BL1840B, BL1850, BL1850B, BL1860B
Netto gewicht	1,3 kg	1,5 kg

- In verband met ononderbroken research en ontwikkeling, behouden wij ons het recht voor de bovenstaande technische gegevens zonder voorafgaande kennisgeving te wijzigen.
- De technische gegevens van de accu kunnen van land tot land verschillen.
- Gewicht, inclusief accu, volgens de EPTA-procedure 01/2003

Gebruiksdoeleinden

Dit gereedschap is bedoeld voor het indraaien van schroeven in hout, metaal en kunststof.

Geluidsniveau

De typische, A-gewogen geluidsniveaus zijn gemeten volgens EN60745:

Geluidsdrukniveau ($L_{p(A)}$): 96 dB (A)

Geluidsvermogeniveau (L_{WA}): 107 dB (A)

Onzekerheid (K): 3 dB (A)

WAARSCHUWING: Draag gehoorbescherming.

Trilling

De totale trillingswaarde (triaxiale vectorsom) zoals

vastgesteld volgens EN60745:

Gebruikstoepassing: bevestigen met behulp van slag-

werking van bevestigingsmiddelen tot de maximale

capaciteit van het gereedschap

Trillingsemmissie (a_h): 13,0 m/s²

Onzekerheid (K): 1,5 m/s²

OPMERKING: De opgegeven trillingsemmissiewaarde is gemeten volgens de standaardtestmethode en kan worden gebruikt om dit gereedschap te vergelijken met andere gereedschappen.

OPMERKING: De opgegeven trillingsemmissiewaarde kan ook worden gebruikt voor een beoordeling vooraf van de blootstelling.

WAARSCHUWING: De trillingsemmissie tijdens het gebruik van het elektrisch gereedschap in de praktijk kan verschillen van de opgegeven trillingsemmissiewaarde die zijn gebaseerd op een schatting van de blootstelling onder praktijkomstandigheden (rekening houdend met alle fasen van de bedrijfscyclus, zoals de tijdsduur gedurende welke het gereedschap is uitgeschakeld en stationair draait, naast de ingeschakelde tijdsduur).

WAARSCHUWING: Zorg ervoor dat veiligheidsmaatregelen worden getroffen ter bescherming van de operator die zijn gebaseerd op een schatting van de blootstelling onder praktijkomstandigheden (rekening houdend met alle fasen van de bedrijfscyclus, zoals de tijdsduur gedurende welke het gereedschap is uitgeschakeld en stationair draait, naast de ingeschakelde tijdsduur).

EG-verklaring van conformiteit

Alleen voor Europese landen

De EG-verklaring van conformiteit is bijgevoegd als Bijlage A bij deze gebruiksaanwijzing.

VEILIGHEIDSWAARSCHUWINGEN

Algemene veiligheidswaarschuwingen voor elektrisch gereedschap

WAARSCHUWING: Lees alle veiligheids-
waarschuwingen en alle instructies. Het niet volgen van de waarschuwingen en instructies kan leiden tot elektrische schokken, brand en/of ernstig letsel.

Bewaar alle waarschuwingen en instructies om in de toekomst te kunnen raadplegen.

De term "elektrisch gereedschap" in de veiligheidsvoorschriften duidt op gereedschappen die op stroom van het lichtnet werken (met snoer) of gereedschappen met een accu (snoerloos).

Veiligheidswaarschuwingen voor een accuslagschroevendraaier

1. Houd elektrisch gereedschap vast bij het geïsoleerde oppervlak van de handgrepen wanneer u werkt op plaatsen waar het bevestigingsmateriaal in aanraking kan komen met verborgen bedrading. Wanneer bevestigingsmaterialen in aanraking komen met onder spanning staande draden, zullen de niet-geïsoleerde metalen delen van het gereedschap onder spanning komen te staan zodat de gebruiker een elektrische schok kan krijgen.
2. Zorg ervoor dat u stevig staat op een vast ondergrond. Bij gebruik van het gereedschap op een hoge plaats dient u ervoor te zorgen dat niemand beneden u aanwezig is.
3. Houd het gereedschap stevig vast.
4. Draag oorbeschermers.
5. Raak het bit of het werkstuk niet aan onmiddellijk na het gebruik. Deze kunnen erg heet zijn en brandwonden veroorzaken.
6. Houd uw handen uit de buurt van draaiende onderdelen.

BEWAAR DEZE VOORSCHRIFTEN.

⚠️ WAARSCHUWING: Laat u NIET misleiden door een vals gevoel van comfort en bekendheid met het gereedschap (na veelvuldig gebruik) en neem alle veiligheidsvoorschriften van het betreffende gereedschap altijd strikt in acht.

VERKEERD GEBRUIK of het niet naleven van de veiligheidsvoorschriften in deze gebruiksaanwijzing kan leiden tot ernstige verwondingen.

Belangrijke veiligheidsinstructies voor een accu

1. Lees alle voorschriften en waarschuwingen op (1) de acculader, (2) de accu, en (3) het product waarvoor de accu wordt gebruikt, alvorens de accu in gebruik te nemen.
2. Neem de accu niet uit elkaar.
3. Als de gebruikstijd van een opgeladen accu aanzienlijk korter is geworden, moet u het gebruik ervan onmiddellijk stopzetten. Voortgezet gebruik kan oververhitting, brandwonden en zelfs een ontploffing veroorzaken.
4. Als elektrolyt in uw ogen is terechtgekomen, spoelt u uw ogen met schoon water en roept u onmiddellijk de hulp van een dokter in. Elektrolyt in de ogen kan blindheid veroorzaken.

5. Voorkom kortsluiting van de accu:
 - (1) Raak de accuklemmen nooit aan met een geleidend materiaal.
 - (2) Bewaar de accu niet in een bak waarin andere metalen voorwerpen zoals spijkers, munten e.d. worden bewaard.
 - (3) Stel de accu niet bloot aan water of regen. Kortsluiting van de accu kan oorzaak zijn van een grote stroomafgifte, oververhitting, brandwonden, en zelfs defecten.
6. Bewaar het gereedschap en de accu niet op plaatsen waar de temperatuur kan oplopen tot 50°C of hoger.
7. Werp de accu nooit in het vuur, ook niet wanneer hij zwaar beschadigd of volledig versleten is. De accu kan ontploffen in het vuur.
8. Wees voorzichtig dat u de accu niet laat vallen en hem niet blootstelt aan schokken of stoten.
9. Gebruik nooit een beschadigde accu.
10. De bijgeleverde lithium-ionbatterijen zijn onderhevig aan de vereisten in de wetgeving omtrent gevaarlijke stoffen. Voor commercieel transport en dergelijke door derden en transporteurs moeten speciale vereisten ten aanzien van verpakking en etikettering worden nageleefd. Als voorbereiding van het artikel dat wordt getransporteerd is het noodzakelijk een expert op het gebied van gevaarlijke stoffen te raadplegen. Houd u tevens aan mogelijk strengere nationale regelgeving. Blootliggende contactpunten moeten worden afgedekt met tape en de accu moet zodanig worden verpakt dat deze niet kan bewegen in de verpakking.
11. Volg bij het weggoien van de accu de plaatselijke voorschriften.

BEWAAR DEZE INSTRUCTIES.

⚠️ LET OP: Gebruik uitsluitend originele Makita accu's. Het gebruik van niet-originele accu's, of accu's die zijn gewijzigd, kan ertoe leiden dat de accu ontploft en brand, persoonlijk letsel en schade veroorzaakt. Ook vervalt daarmee de garantie van Makita op het gereedschap en de lader van Makita.

Tips voor een maximale levensduur van de accu

1. Laad de accu op voordat hij volledig ontladen is. Stop het gebruik van het gereedschap en laad de accu op telkens wanneer u vaststelt dat het vermogen van het gereedschap is afgenomen.
2. Laad een volledig opgeladen accu nooit opnieuw op. Te lang opladen verkort de levensduur van de accu.
3. Laad de accu op bij een omgevingstemperatuur tussen 10°C en 40°C. Laat een warme accu afkoelen alvorens hem op te laden.
4. Laad de accu op als u deze gedurende een lange tijd (meer dan zes maanden) niet gaat gebruiken.

BESCHRIJVING VAN DE FUNCTIES

⚠ LET OP: Zorg altijd dat het gereedschap is uitgeschakeld en de accu ervan is verwijderd alvorens de functies op het gereedschap af te stellen of te controleren.

De accu aanbrengen en verwijderen

⚠ LET OP: Schakel het gereedschap altijd uit voordat u de accu aanbrengt of verwijderd.

⚠ LET OP: Houd het gereedschap en de accu stevig vast tijdens het aanbrengen of verwijderen van de accu. Als u het gereedschap en de accu niet stevig vasthoudt, kunnen deze uit uw handen glippen en het gereedschap of de accu beschadigen, of kan persoonlijk letsel worden veroorzaakt.

► Fig.1: 1. Rood deel 2. Knop 3. Accu

Om de accu te verwijderen verschuift u de knop aan de voorkant van de accu en schuift u tegelijkertijd de accu uit het gereedschap.

Om de accu aan te brengen lijnt u de lip op de accu uit met de groef in de behuizing en duwt u de accu op zijn plaats. Steek de accu zo ver mogelijk in het gereedschap tot u een klinkgeluid hoort. Als u het rode deel aan de bovenkant van de knop kunt zien, is de accu niet goed aangebracht.

⚠ LET OP: Breng de accu altijd helemaal aan totdat het rode deel niet meer zichtbaar is. Als u dit niet doet, kan de accu per ongeluk uit het gereedschap vallen en u of anderen in uw omgeving verwonden.

⚠ LET OP: Breng de accu niet met kracht aan. Als de accu niet gemakkelijk in het gereedschap kan worden geschoven, wordt deze niet goed aangebracht.

De resterende acculading controleren

Alleen voor accu's waarvan het modelnummer eindigt op "B".

► Fig.2: 1. Indicatorlampjes 2. Testknop

Druk op de testknop op de accu om de resterende acculading te zien. De indicatorlampjes branden gedurende enkele seconden.

Indicatorlampjes			Resterende acculading
Brandt	Uit	Knippert	
■	□	▧	75% tot 100%
■	■	■	
■	■	■	
■	■	□	50% tot 75%
■	■	□	25% tot 50%

Indicatorlampjes			Resterende acculading
Brandt	Uit	Knippert	
■	□	□	0% tot 25%
▧	□	□	Laad de accu op.
■	■	□	Er kan een storing zijn opgetreden in de accu.
■	■	■	

OPMERKING: Afhankelijk van de gebruiksomstandigheden en de omgevingstemperatuur, is het mogelijk dat de aangegeven acculading verschilt van de werkelijke acculading.

Gereedschap-/accubeveiligingssysteem

Het gereedschap is voorzien van een gereedschap-/accubeveiligingssysteem. Dit systeem schakelt automatisch de voeding naar de motor uit om de levensduur van het gereedschap en de accu te verlengen. Het gereedschap kan tijdens het gebruik automatisch stoppen als het gereedschap of de accu aan één van de volgende omstandigheden wordt blootgesteld:

Overbelastingsbeveiliging

Als de accu wordt gebruikt op een manier die ertoe leidt dat een abnormaal hoge stroomsterkte wordt getrokken, stopt het gereedschap automatisch zonder enige aanduiding. In dat geval schakelt u het gereedschap uit en stopt u met het gebruik dat er toe leidde dat het gereedschap overbelast raakte. Schakel vervolgens het gereedschap in om weer te starten.

Oververhittingsbeveiliging

Wanneer het gereedschap/de accu oververhit is, stopt het gereedschap automatisch. In dat geval laat u de accu afkoelen voordat u het gereedschap opnieuw inschakelt.

Beveiliging tegen te ver ontladen

Als de acculading onvoldoende is, stopt het gereedschap automatisch. In dit geval verwijderd u de accu vanaf het gereedschap en laadt u de accu op.

OPMERKING: De overbelastingsbeveiliging werkt alleen bij accu's met de ster-markering.

► Fig.3: 1. Ster-merkteken

De trekkerschakelaar gebruiken

► Fig.4: 1. Trekkerschakelaar

⚠ LET OP: Alvorens de accu in het gereedschap te plaatsen, moet u altijd controleren of de trekkerschakelaar goed werkt en bij het loslaten terugkeert naar de stand "OFF".

Om het gereedschap te starten, knijpt u gewoon de trekkerschakelaar in. Hoe harder u de trekkerschakelaar inknijpt, hoe sneller het gereedschap draait. Laat de trekkerschakelaar los om het gereedschap te stoppen.

De lamp op de voorkant gebruiken

► Fig.5: 1. Lamp

⚠ LET OP: Kijk niet direct in het lamplicht of in de lichtbron.

Knijp de trekkerschakelaar in om de lamp in te schakelen. De lamp blijft branden zo lang de trekkerschakelaar wordt ingeknepen. Ongeveer 10 seconden nadat u de trekkerschakelaar hebt losgelaten, gaat de lamp uit.

OPMERKING: Gebruik een droge doek om vuil van de lens van de lamp af te vegen. Wees voorzichtig dat u de lens van de lamp niet bekrast omdat dan de verlichting minder wordt.

De omkeerschakelaar bedienen

► Fig.6: 1. Omkeerschakelaar

⚠ LET OP: Controleer altijd de draairichting alvorens het gereedschap te starten.

⚠ LET OP: Verander de stand van de omkeerschakelaar alleen nadat het gereedschap volledig tot stilstand is gekomen. Als u de draairichting verandert terwijl het gereedschap nog draait, kan het gereedschap beschadigd raken.

⚠ LET OP: Zet de omkeerschakelaar altijd in de neutrale stand wanneer u het gereedschap niet gebruikt.

Dit gereedschap heeft een omkeerschakelaar voor het veranderen van de draairichting. Druk de omkeerschakelaar in vanaf kant A voor de draairichting rechtsom, of vanaf kant B voor de draairichting linksom. Wanneer de omkeerschakelaar in de neutrale stand staat, kan de trekkerschakelaar niet worden ingeknepen.

MONTAGE

⚠ LET OP: Zorg altijd dat het gereedschap is uitgeschakeld en de accu ervan is verwijderd alvorens enig werk aan het gereedschap uit te voeren.

Aanbrengen of verwijderen van het schroefbit of de schroefdop

► Fig.7

Gebruik uitsluitend een schroefbit/schroefdop met een insteekgedeelte zoals aangegeven in de afbeelding. Gebruik geen ander schroefbit/schroefdop.

Voor gereedschappen met een ondiepe schroefbit-insteekopening

A=12 mm B=9 mm	Gebruik uitsluitend dit type schroefbit. Volg procedure 1. (Opmerking) De bitadapter is niet nodig.
-------------------	---

Voor gereedschappen met een diepe schroefbit-insteekopening

A=17 mm B=14 mm	Om dit type schroefbit te plaatsen, volgt u procedure 1.
A=12 mm B=9 mm	Om dit type schroefbit te plaatsen, volgt u procedure 2. (Opmerking) De bitadapter is nodig om het bit te plaatsen.

Procedure 1

Voor gereedschap zonder snelkoppelingsbus

► Fig.8: 1. Schroefbit 2. Bus

Om het schroefbit te plaatsen, trekt u de bus in de richting van de pijl en steekt u het schroefbit zo ver mogelijk in de bus.

Laat daarna de bus los om het schroefbit te vergrendelen.

Voor gereedschap met snelkoppelingsbus

Om het schroefbit aan te brengen, steekt u het schroefbit zo ver mogelijk in de bus.

Procedure 2

Voorafgaande aan **Procedure 1**, steekt u de bitadapter met zijn puntige uiteinde in de bus.

► Fig.9: 1. Schroefbit 2. Bitadapter 3. Bus

Om het schroefbit te verwijderen, trekt u de bus in de richting van de pijl en trekt u het schroefbit er uit.

OPMERKING: Als het schroefbit niet diep genoeg in de bus wordt gestoken, zal de bus niet naar haar oorspronkelijke positie terugkeren en zal het schroefbit niet goed vastzitten. In dat geval dient u het bit opnieuw erin te steken volgens de bovenstaande procedure.

OPMERKING: Als het moeilijk is om het schroefbit aan te brengen, trekt u aan de bus en steekt u het schroefbit zo ver mogelijk in de bus.

OPMERKING: Nadat u het schroefbit in de bus hebt gestoken, controleert u dat het schroefbit stevig vast zit. Als het uit de bus komt, mag u het niet gebruiken.

De haak aanbrengen

► Fig.10: 1. Gleuf 2. Haak 3. Schroef

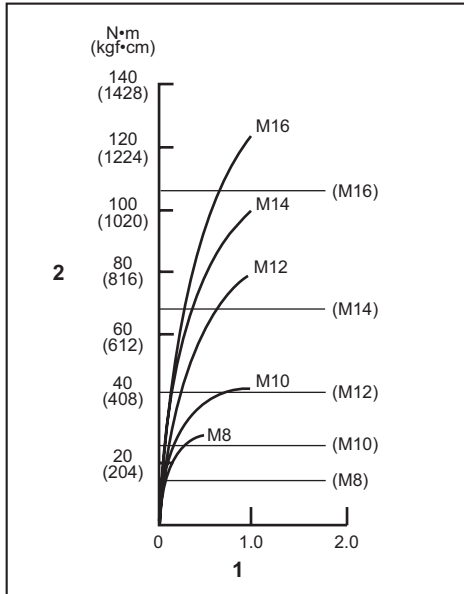
De haak is handig om het gereedschap tijdelijk op te hangen. De haak kan aan iedere zijkant van het gereedschap worden bevestigd. Om de haak te bevestigen, steekt u deze in een gleuf op een zijkant en zet u hem vast met de schroef. Om de haak eraf te halen, draait u de schroef los en haalt u de haak eraf.

BEDIENING

► Fig.11

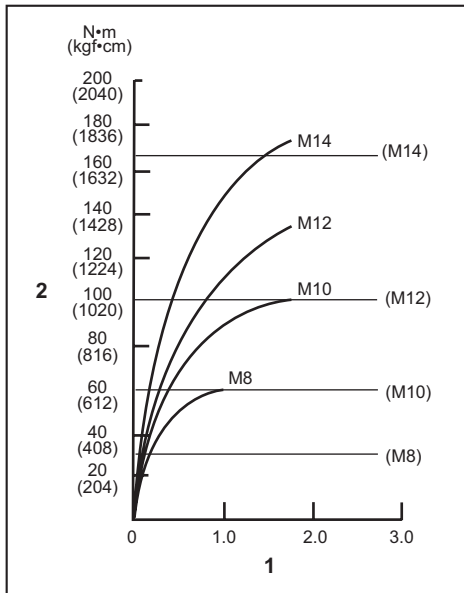
Het juiste aandraaimoment kan verschillen afhankelijk van het soort en de maat van de schroef/bout, het materiaal van het te bevestigen werkstuk, enz. De verhouding tussen het aandraaimoment en de aandraaitijd wordt aangegeven in de afbeeldingen.

Juiste aandraaimoment voor standaard bout



1. Aandraitijd (seconden) 2. Aandraaimoment

Juiste aandraaimoment voor standaard bout met hoge trekvastheid



1. Aandraitijd (seconden) 2. Aandraaimoment

Houd het gereedschap stevig vast en plaats de punt van het schroefbit in de schroefkop. Oefen zoveel kracht op het gereedschap uit als nodig is om het schroefbit op zijn plaats te houden. Schakel vervolgens het gereedschap in om de bediening te starten.

KENNISGEVING: Als u een reserveaccu gebruikt om de werkzaamheden voort te kunnen zetten, geeft u het gereedschap minstens 15 minuten rusttijd.

OPMERKING: Gebruik altijd het bit dat geschikt is voor de kop van de aan te draaien schroef/bout.

OPMERKING: Voor het vastdraaien van een M8-formaat of kleinere schroef, regelt u de druk op de trekkerschakelaar zorgvuldig zodat de schroef niet beschadigd wordt.

OPMERKING: Houd het gereedschap vooral recht op de schroef.

OPMERKING: Als de slagkracht te hoog is, zal de schroef langer worden aangedraaid dan aangegeven in de afbeeldingen, en dan kan de schroef of de kop van het schroefbit overbelast, vervormd of beschadigd worden. Alvorens u aan het werk gaat, dient u altijd even proef te draaien om de juiste aandraitijd voor uw type schroef te bepalen.

Het aandraaimoment wordt beïnvloed door een groot aantal verschillende factoren, waaronder de volgende. Controleer na het vastdraaien altijd het aandraaimoment met een momentsleutel.

1. Wanneer de accu bijna leeg is, neemt de spanning af en vermindert het aandraaimoment.
2. Schroefbit of schroefdrop
Het aandraaimoment vermindert als u niet een schroefbit of schroefdrop van de juiste maat gebruikt.
3. Bout
 - Zelfs wanneer het koppelcoëfficiënt overeenkomt met de boutklasse, hangt het juiste aandraaimoment af van de boutdiameter.
 - Zelfs wanneer de boutdiameters gelijk zijn, hangt het juiste aandraaimoment af van het koppelcoëfficiënt, de boutklasse en de boutlengte.
4. De manier van vasthouden van het gereedschap en de positie waar de schroef in het materiaal wordt gedraaid, hebben een invloed op het aandraaimoment.
5. Bij lagere toerentallen wordt ook het aandraaimoment kleiner.

ONDERHOUD

⚠ LET OP: Zorg altijd dat het gereedschap is uitgeschakeld en de accu ervan is verwijderd alvorens te beginnen met onderhoud of inspectie.

KENNISGEVING: Gebruik nooit benzine, wasbenzine, thinner, alcohol en dergelijke. Hierdoor kunnen verkleuring, vervormingen en barsten worden veroorzaakt.

Om de VEILIGHEID en BETROUWBAARHEID van het gereedschap te handhaven, dienen alle reparaties, onderhoud of afstellingen te worden uitgevoerd bij een erkend Makita-servicecentrum of de Makita-fabriek, en altijd met gebruik van Makita-vervangingsonderdelen.

OPTIONELE ACCESSOIRES

⚠ LET OP: Deze accessoires of hulpstukken worden aanbevolen voor gebruik met het Makita gereedschap dat in deze gebruiksaanwijzing is beschreven. Bij gebruik van andere accessoires of hulpstukken bestaat het gevaar van persoonlijke letsel. Gebruik de accessoires of hulpstukken uitsluitend voor hun bestemde doel.

Wenst u meer bijzonderheden over deze accessoires, neem dan contact op met het plaatselijke Makita-servicecentrum.

- Schroefbits
- Schroefdoppen
- Bitadapter
- Haak
- Kunststof koffer
- Accu-beveiliging
- Gereedschapshaak
- Originele Makita accu's en acculaders

OPMERKING: Sommige items op de lijst kunnen zijn inbegrepen in de doos van het gereedschap als standaard toebehoren. Deze kunnen van land tot land verschillen.

ESPECIFICACIONES

Modelo:		DTD153	
Capacidades de apriete	Tornillo para metales	4 mm - 8 mm	
	Perno estándar	5 mm - 16 mm	
	Perno de gran resistencia a la tracción	5 mm - 14 mm	
Velocidad sin carga		0 - 3.400 min ⁻¹	
Impactos por minuto		0 - 3.600 min ⁻¹	
Longitud total		126 mm	
Tensión nominal		CC 18 V	
Cartucho de batería	BL1815, BL1815N, BL1820, BL1820B	BL1830, BL1830B, BL1840, BL1840B, BL1850, BL1850B, BL1860B	
Peso neto	1,3 kg	1,5 kg	

- Debido a nuestro continuado programa de investigación y desarrollo, las especificaciones aquí dadas están sujetas a cambios sin previo aviso.
- Las especificaciones y el cartucho de batería pueden diferir de país a país.
- Peso, con cartucho de batería, de acuerdo con el procedimiento EPTA 01/2003

Uso previsto

La herramienta ha sido prevista para atornillar en madera, metal y plástico.

Ruido

El nivel de ruido A-ponderado típico determinado de acuerdo con la norma EN60745:

Nivel de presión sonora (L_{pA}) : 96 dB (A)

Nivel de potencia sonora (L_{WA}) : 107 dB (A)

Error (K) : 3 dB (A)

ADVERTENCIA: Póngase protectores para oídos.

Vibración

El valor total de la vibración (suma de vectores triaxiales) determinado de acuerdo con la norma EN60745:

Modo de trabajo: apretado por impacto de tornillos de la máxima capacidad de la herramienta

Emisión de vibración (a_{r1}) : 13,0 m/s²

Error (K) : 1,5 m/s²

NOTA: El valor de emisión de vibración declarado ha sido medido de acuerdo con el método de prueba estándar y se puede utilizar para comparar una herramienta con otra.

NOTA: El valor de emisión de vibración declarado también se puede utilizar en una valoración preliminar de exposición.

ADVERTENCIA: La emisión de vibración durante la utilización real de la herramienta eléctrica puede variar del valor de emisión declarado dependiendo de las formas en las que la herramienta sea utilizada.

ADVERTENCIA: Asegúrese de identificar medidas de seguridad para proteger al operario que estén basadas en una estimación de la exposición en las condiciones reales de utilización (teniendo en cuenta todas las partes del ciclo operativo como las veces cuando la herramienta está apagada y cuando está funcionando en vacío además del tiempo de gatillo).

Declaración CE de conformidad

Para países europeos solamente

La declaración CE de conformidad está incluida como Anexo A de esta manual de instrucciones.

ADVERTENCIAS DE SEGURIDAD

Advertencias de seguridad para herramientas eléctricas en general

ADVERTENCIA: Lea todas las advertencias de seguridad y todas las instrucciones. Si no sigue las advertencias e instrucciones podrá resultar en una descarga eléctrica, un incendio y/o heridas graves.

Guarde todas las advertencias e instrucciones para futuras referencias.

El término "herramienta eléctrica" en las advertencias se refiere a su herramienta eléctrica de funcionamiento con conexión a la red eléctrica (con cable) o herramienta eléctrica de funcionamiento a batería (sin cable).

Advertencias de seguridad para el atornillador de impacto inalámbrico

1. Sujete la herramienta eléctrica por las superficies de asimiento aisladas cuando realice una operación en la que el tornillo pueda entrar en contacto con cableado oculto. El contacto del tornillo con un cable con corriente hará que la corriente circule por las partes metálicas expuestas de la herramienta eléctrica y podrá soltar una descarga eléctrica al operario.
2. Asegúrese siempre de apoyar los pies firmemente. Asegúrese de que no haya nadie debajo cuando esté utilizando la herramienta en lugares altos.
3. Sujete la herramienta firmemente.
4. Utilice protectores de oídos.
5. No toque la punta de atornillar ni la pieza de trabajo inmediatamente después de la operación. Podrán estar muy calientes y quemarle la piel.
6. Mantenga las manos alejadas de las partes giratorias.

GUARDE ESTAS INSTRUCCIONES.

⚠ADVERTENCIA: NO deje que la comodidad o familiaridad con el producto (a base de utilizarlo repetidamente) sustituya la estricta observancia de las normas de seguridad para el producto en cuestión.

El MAL USO o el no seguir las normas de seguridad establecidas en este manual de instrucciones podrá ocasionar graves heridas personales.

Instrucciones de seguridad importantes para el cartucho de batería

1. Antes de utilizar el cartucho de batería, lea todas las instrucciones e indicaciones de precaución sobre (1) el cargador de baterías, (2) la batería, y (3) el producto con el que se utiliza la batería.
2. No desarme el cartucho de batería.
3. Si el tiempo de uso se acorta demasiado, cese la operación inmediatamente. Podría resultar en un riesgo de recalentamiento, posibles quemaduras e incluso una explosión.
4. Si entra electrolito en sus ojos, aclárelos con agua limpia y acuda a un médico inmediatamente. Existe el riesgo de poder perder la vista.

5. No cortocircuite el cartucho de batería:
 - (1) No toque los terminales con ningún material conductor.
 - (2) Evite guardar el cartucho de batería en un cajón junto con otros objetos metálicos, como clavos, monedas, etc.
 - (3) No exponga el cartucho de batería al agua ni a la lluvia.

Un cortocircuito en la batería puede producir una gran circulación de corriente, un recalentamiento, posibles quemaduras e incluso una rotura de la misma.

6. No guarde la herramienta y el cartucho de batería en lugares donde la temperatura pueda alcanzar o exceder los 50 °C.
7. Nunca incinere el cartucho de batería incluso en el caso de que esté dañado seriamente o ya no sirva en absoluto. El cartucho de batería puede explotar si se tira al fuego.
8. Tenga cuidado de no dejar caer ni golpear el cartucho de batería.
9. No utilice una batería dañada.
10. Las baterías de litio-ion contenidas están sujetas a los requisitos de la Legislación para Materiales Peligrosos.
Para transportes comerciales, p.ej., por terceras personas y agentes de transportes, se deberán observar requisitos especiales para el empaquetado y etiquetado.
Para la preparación del artículo que se va a enviar, se requiere consultar con un experto en materiales peligrosos. Por favor, observe también la posibilidad de reglamentos nacionales más detallados.
Cubra con cinta aislante o enmascare los contactos expuestos y empaquete la batería de tal manera que no se pueda mover alrededor dentro del embalaje.
11. Siga los reglamentos locales referentes al desecho de la batería.

GUARDE ESTAS INSTRUCCIONES.

⚠PRECAUCIÓN: Utilice solamente baterías genuinas de Makita. La utilización de baterías no genuinas de Makita, o baterías que han sido alteradas, puede resultar en una explosión de la batería ocasionando incendios, heridas personales y daños. También anulará la garantía de Makita para la herramienta y el cargador de Makita.

Consejos para alargar al máximo la vida de servicio de la batería

1. Cargue el cartucho de batería antes de que se descargue completamente. Detenga siempre la operación y cargue el cartucho de batería cuando note menos potencia en la herramienta.
2. No cargue nunca un cartucho de batería que esté completamente cargado. La sobrecarga acortará la vida de servicio de la batería.
3. Cargue el cartucho de batería a temperatura ambiente de 10 °C - 40 °C. Si un cartucho de batería está caliente, déjelo enfriar antes de cargarlo.
4. Cargue el cartucho de batería si no lo utiliza durante un periodo de tiempo prolongado (más de seis meses).

DESCRIPCIÓN DEL FUNCIONAMIENTO

⚠️ PRECAUCIÓN: Asegúrese siempre de que la herramienta esté apagada y el cartucho de batería retirado antes de realizar cualquier ajuste o comprobación en la herramienta.

Instalación o extracción del cartucho de batería

⚠️ PRECAUCIÓN: Apague siempre la herramienta antes de instalar o retirar el cartucho de batería.

⚠️ PRECAUCIÓN: Sujete la herramienta y el cartucho de batería firmemente cuando instale o retire el cartucho de batería. Si no sujeta la herramienta y el cartucho de batería firmemente podrán caérsele de las manos y resultar en daños a la herramienta y al cartucho de batería y heridas personales.

► **Fig.1:** 1. Indicador rojo 2. Botón 3. Cartucho de batería

Para retirar el cartucho de batería, deslícelo de la herramienta mientras desliza el botón de la parte frontal del cartucho.

Para instalar el cartucho de batería, alinee la lengüeta del cartucho de batería con la ranura de la carcasa y deslícelo hasta que encaje en su sitio. Insértelo a tope hasta que se bloquee en su sitio produciendo un pequeño chasquido. Si puede ver el indicador rojo en el lado superior del botón, no estará bloqueado completamente.

⚠️ PRECAUCIÓN: Instale siempre el cartucho de batería completamente hasta que no pueda verse el indicador rojo. En caso contrario, podrá caerse accidentalmente de la herramienta y ocasionarle heridas a usted o a alguien que esté cerca de usted.

⚠️ PRECAUCIÓN: No instale el cartucho de batería empleando fuerza. Si el cartucho no se desliza al interior fácilmente, será porque no está siendo insertado correctamente.

Modo de indicar la capacidad de batería restante

Solamente para cartuchos de batería con "B" al final del número de modelo

► **Fig.2:** 1. Lámparas indicadoras 2. Botón de comprobación

Presione el botón de comprobación en el cartucho de batería para indicar la capacidad de batería restante. Las lámparas indicadoras se iluminan durante unos pocos segundos.

Lámparas indicadoras			Capacidad restante
Iluminada	Apagada	Parpadeando	
			75% a 100%
			50% a 75%

Lámparas indicadoras			Capacidad restante
Iluminada	Apagada	Parpadeando	
			25% a 50%
			0% a 25%
			Cargue la batería.
			Puede que la batería no esté funcionando bien.

NOTA: Dependiendo de las condiciones de utilización y de la temperatura ambiente, la indicación podrá variar ligeramente de la capacidad real.

Sistema de protección de la herramienta / batería

La herramienta está equipada con un sistema de protección de la herramienta/batería. Este sistema corta automáticamente la alimentación al motor para alargar la vida de servicio de la herramienta y la batería. La herramienta se detendrá automáticamente durante la operación si la herramienta o la batería es puesta en una de las condiciones siguientes:

Protección contra sobrecarga

Cuando la batería sea operada de manera que le haga extraer una corriente anormalmente alta, la herramienta se detendrá automáticamente sin ninguna indicación. En esta situación, apague la herramienta y detenga la aplicación que ocasiona la sobrecarga de la herramienta. Después encienda la herramienta para volver a empezar.

Protección contra el recalentamiento

Cuando la herramienta/batería se recalienta, la herramienta se detiene automáticamente. En esta situación, deje que la batería se enfríe antes de encender la herramienta otra vez.

Protección contra descarga excesiva

Cuando la capacidad de batería no es suficiente, la herramienta se detiene automáticamente. En este caso, retire la batería de la herramienta y cargue la batería.

NOTA: La protección de sobrecarga funcionará solamente con baterías con marca de estrella.

► **Fig.3:** 1. Marca de estrella

Accionamiento del interruptor

► **Fig.4:** 1. Gatillo interruptor

⚠️ PRECAUCIÓN: Antes de insertar el cartucho de batería en la herramienta, compruebe siempre para cerciorarse de que el gatillo interruptor se acciona debidamente y que vuelve a la posición "OFF" cuando lo suelta.

Para poner en marcha la herramienta, simplemente apriete el gatillo interruptor. La velocidad de la herramienta aumenta incrementando la presión en el gatillo interruptor. Suelte el gatillo interruptor para parar.

Encendido de la lámpara delantera

► **Fig.5:** 1. Lámpara

⚠PRECAUCIÓN: No mire a la luz ni vea la fuente de luz directamente.

Apriete el gatillo interruptor para encender la lámpara. La lámpara seguirá encendida mientras el gatillo interruptor esté siendo apretado. La lámpara se apagará 10 segundos aproximadamente después de soltar el gatillo interruptor.

NOTA: Utilice un paño seco para quitar la suciedad de la lente de la lámpara. Tenga cuidado de no rayar la lente de la lámpara, porque podrá disminuir la iluminación.

Accionamiento del interruptor inversor

► **Fig.6:** 1. Palanca del interruptor inversor

⚠PRECAUCIÓN: Confirme siempre la dirección de giro antes de la operación.

⚠PRECAUCIÓN: Utilice el interruptor inversor solamente después de que la herramienta se haya parado completamente. Si cambia la dirección de giro antes de que la herramienta se haya parado podrá dañarla.

⚠PRECAUCIÓN: Cuando no esté utilizando la herramienta, ponga siempre la palanca del interruptor inversor en la posición neutral.

Esta herramienta tiene un interruptor inversor para cambiar la dirección de giro. Presione hacia dentro la palanca del interruptor inversión del lado A para giro hacia la derecha o del lado B para giro hacia la izquierda.

Cuando la palanca del interruptor inversor está en la posición neutral, el gatillo interruptor no se puede apretar.

MONTAJE

⚠PRECAUCIÓN: Asegúrese siempre de que la herramienta está apagada y el cartucho de batería retirado antes de realizar cualquier trabajo en la herramienta.

Instalación o desmontaje de la punta de atornillar/punta de tubo

► **Fig.7**

Utilice solamente una punta de atornillar/punta de tubo que tenga la porción de inserción mostrada en la figura. No utilice ninguna otra punta de atornillar/punta de tubo.

Para herramienta con agujero para punta de atornillar corto

A=12 mm B=9 mm	Utilice solamente estos tipos de puntas de atornillar. Siga el procedimiento 1. (Nota) No se necesita adaptador de punta de atornillar.
-------------------	---

Para herramienta con agujero de punta de atornillar profundo

A=17 mm B=14 mm	Para instalar estos tipos de puntas de atornillar, siga el procedimiento 1.
A=12 mm B=9 mm	Para instalar estos tipos de puntas de atornillar, siga el procedimiento 2. (Nota) No se necesita adaptador de punta de atornillar para instalar la punta de atornillar.

Procedimiento 1

Para herramienta sin manguito de tipo un solo toque

► **Fig.8:** 1. Punta de atornillar 2. Manguito

Para instalar la punta de atornillar, tire del manguito en la dirección de la flecha e inserte la punta de atornillar a tope en el manguito.

Después suelte el manguito para sujetar la punta de atornillar.

Para herramienta con manguito de tipo un solo toque

Para instalar la punta de atornillar, inserte la punta de atornillar a tope en el manguito.

Procedimiento 2

Además del **Procedimiento 1**, inserte el adaptador de punta de atornillar en el manguito con su extremo en punta orientado hacia dentro.

► **Fig.9:** 1. Punta de atornillar 2. Adaptador de punta de atornillar 3. Manguito

Para retirar la punta de atornillar, tire del manguito en la dirección de la flecha y saque la punta de atornillar.

NOTA: Si la punta de atornillar no está suficientemente insertada en el manguito, el manguito no retornará a su posición original y la punta de atornillar no quedará bien sujeta. En este caso, intente reinsertando la punta de atornillar de acuerdo con las instrucciones de arriba.

NOTA: Cuando sea difícil insertar la punta de atornillar, tire del manguito e insértela a tope en el manguito.

NOTA: Después de insertar la punta de atornillar, asegúrese de que está sujeta firmemente. Si se sale, no la utilice.

Instalación del gancho

► Fig.10: 1. Ranura 2. Gancho 3. Tornillo

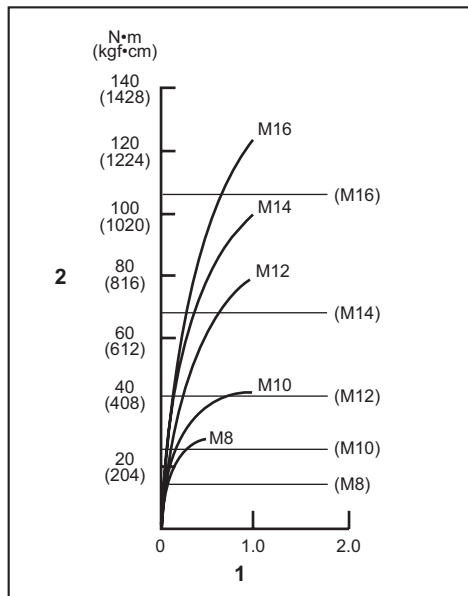
El gancho resulta útil para colgar temporalmente la herramienta. Se puede instalar en cualquiera de los costados de la herramienta. Para instalar el gancho, insértelo en una ranura en cualquiera de los costados de la carcasa de la herramienta y después sujételo con un tornillo. Para retirarlo, afloje el tornillo y después sáquelo.

OPERACIÓN

► Fig.11

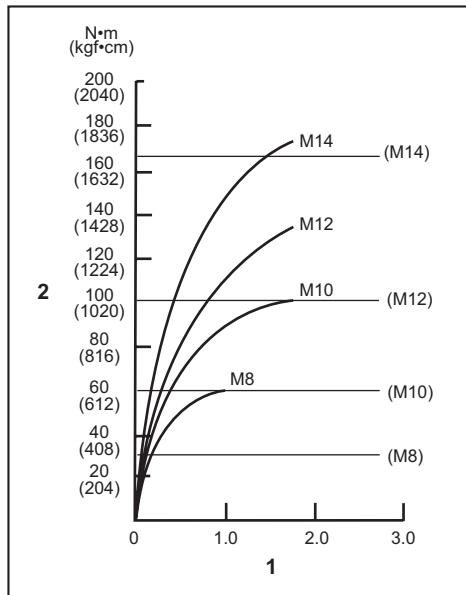
El par de apriete apropiado podrá variar dependiendo del tipo o tamaño del tornillo/perno, el material de la pieza de trabajo a apretar, etc. La relación entre el par de apriete y el tiempo de apriete se muestra en las figuras.

Par de apriete apropiado para perno estándar



1. Tiempo de apriete (segundos) 2. Par de apriete

Par de apriete apropiado para perno de gran resistencia a la tracción



1. Tiempo de apriete (segundos) 2. Par de apriete

Sujete la herramienta firmemente y coloque la punta de la punta de atornillar en la cabeza del tornillo. Aplique presión frontal a la herramienta suficiente como para que la punta de atornillar no se deslice del tornillo y encienda la herramienta para comenzar la operación.

AVISO: Si utiliza una batería de repuesto para continuar la operación, deje descansar la herramienta al menos 15 minutos.

NOTA: Utilice la punta de atornillar apropiada para la cabeza del tornillo/perno que desee utilizar.

NOTA: Cuando vaya a apretar un tornillo M8 o más pequeño, ajuste cuidadosamente la presión en el gatillo interruptor para no dañar el tornillo.

NOTA: Sujete la herramienta apuntando en línea recta al tornillo.

NOTA: Si la fuerza de impacto es muy fuerte o aprieta el tornillo durante más tiempo que el mostrado en las figuras, el tornillo o la punta de la punta de atornillar podrá fatigarse en exceso, romperse, dañarse, etc. Antes de comenzar su tarea, realice siempre una operación de prueba para determinar el tiempo de apriete apropiado para su tornillo.

El par de apriete se verá afectado por una amplia variedad de factores, incluidos los siguientes. Después de apretar, compruebe siempre el par de apriete con una llave dinamométrica.

1. Cuando el cartucho de batería esté casi completamente descargado, caerá la tensión y el par de apriete se reducirá.
2. Punta de atornillar o punta de tubo
En caso de no utilizar la punta de atornillar o punta de tubo del tamaño correcto se producirá una reducción del par de apriete.

3. Perno
 - Aunque el coeficiente del par de apriete y la clase de perno sean iguales, el par de apriete apropiado variará de acuerdo con el diámetro del perno.
 - Aunque los diámetros de los pernos sean iguales, el par de apriete apropiado variará de acuerdo con el coeficiente del par de apriete, la clase de perno y la longitud del perno.
4. La manera de sujetar la herramienta o el material que se va apretar en la posición de atornillar afectarán al par de apriete.
5. La operación de la herramienta a baja velocidad ocasionará una reducción del par de apriete.

MANTENIMIENTO

⚠PRECAUCIÓN: Asegúrese siempre de que la herramienta está apagada y de que el cartucho de batería está retirado antes de intentar hacer una inspección o mantenimiento.

AVISO: No utilice nunca gasolina, bencina, disolvente, alcohol o similares. Podría producir descoloración, deformación o grietas.

Para mantener la SEGURIDAD y FIABILIDAD del producto, las reparaciones, y cualquier otra tarea de mantenimiento o ajuste deberán ser realizadas en centros de servicio o de fábrica autorizados por Makita, empleando siempre repuestos Makita.

ACCESORIOS OPCIONALES

⚠PRECAUCIÓN: Estos accesorios o aditamentos están recomendados para su uso con la herramienta Makita especificada en este manual.

El uso de cualquier otro accesorio o aditamento puede suponer un riesgo de heridas personales. Utilice el accesorio o aditamento solamente con la finalidad indicada para el mismo.

Si necesita cualquier ayuda para más detalles en relación con estos accesorios, pregunte al centro de servicio Makita local.

- Puntas de atornillar
- Puntas de tubo
- Adaptador de punta de atornillar
- Gancho
- Maletín de transporte de plástico
- Protector de batería
- Colgador de herramienta
- Batería y cargador genuinos de Makita

NOTA: Algunos elementos de la lista podrán estar incluidos en el paquete de la herramienta como accesorios estándar. Pueden variar de un país a otro.

ESPECIFICAÇÕES

Modelo:		DTD153	
Capacidades de aperto	Parafuso de montagem	4 mm - 8 mm	
	Perno normal	5 mm - 16 mm	
	Perno de grande carga	5 mm - 14 mm	
Velocidade sem carga		0 - 3.400 min ⁻¹	
Impactos por minuto		0 - 3.600 min ⁻¹	
Comprimento total		126 mm	
Voltagem nominal		CC 18 V	
Bateria	BL1815, BL1815N, BL1820, BL1820B	BL1830, BL1830B, BL1840, BL1840B, BL1850, BL1850B, BL1860B	
Peso líquido	1,3 kg	1,5 kg	

- Devido a um programa contínuo de pesquisa e desenvolvimento, estas especificações estão sujeitas a alteração sem aviso prévio.
- As especificações e a bateria podem variar de país para país.
- Peso, com a bateria, de acordo com o Procedimento 01/2003 da EPTA (European Power Tool Association)

Utilização a que se destina

A ferramenta foi concebida para aparafusamento em madeira, metal e plástico.

Ruído

A característica do nível de ruído A determinado de acordo com a EN60745:

Nível de pressão acústica (L_{pA}): 96 dB (A)

Nível de potência acústica (L_{WA}): 107 dB (A)

Variabilidade (K): 3 dB (A)

AVISO: Utilize protetores auriculares.

Vibração

Valor total da vibração (soma vetorial tri-axial) determinado de acordo com a EN60745:

Modo de trabalho: aperto com impacto de parafusos de capacidade máxima da ferramenta

Emissão de vibração (a_h): 13,0 m/s²

Variabilidade (K): 1,5 m/s²

NOTA: O valor da emissão de vibração indicado foi medido de acordo com o método de teste padrão e pode ser utilizado para comparar duas ferramentas.

NOTA: O valor da emissão de vibração indicado pode também ser utilizado na avaliação preliminar da exposição.

AVISO: A emissão de vibração durante a utilização real da ferramenta elétrica pode diferir do valor de emissão indicado, dependendo das formas como a ferramenta é utilizada.

AVISO: Certifique-se de identificar as medidas de segurança para proteção do operador que sejam baseadas em uma estimativa de exposição em condições reais de utilização (considerando todas as partes do ciclo de operação, tal como quando a ferramenta está desligada e quando está a funcionar em marcha lenta além do tempo de acionamento).

Declaração de conformidade da CE

Apenas para os países europeus

A declaração de conformidade da CE está incluída como Anexo A neste manual de instruções.

AVISOS DE SEGURANÇA

Avisos gerais de segurança para ferramentas elétricas

AVISO: Leia todos os avisos de segurança e todas as instruções. O não cumprimento de todos os avisos e instruções pode originar choque elétrico, incêndio e/ou ferimentos graves.

Guarde todos os avisos e instruções para futuras referências.

O termo "ferramenta elétrica" nos avisos refere-se às ferramentas elétricas ligadas à corrente elétrica (com cabo) ou às ferramentas elétricas operadas por meio de bateria (sem cabo).

Avisos de segurança da parafusadeira de impacto a bateria

1. **Agarre na ferramenta elétrica pelas partes isoladas quando executa uma operação em que o parafuso possa entrar em contacto com fios ocultos.** O contacto dos parafusos com um fio com corrente poderá carregar as partes metálicas da ferramenta e causar choque elétrico no operador.
2. **Certifique-se sempre de que tem os pés bem assentes.** Certifique-se de que não está ninguém por baixo quando utilizar a ferramenta em locais altos.
3. **Segure a ferramenta firmemente.**
4. **Use protetores auditivos.**
5. **Não toque na ponta da ferramenta ou na peça de trabalho imediatamente após a operação.** Podem estar extremamente quentes e podem queimar-lhe a pele.
6. **Mantenha as mãos afastadas das partes giratórias.**

GUARDE ESTAS INSTRUÇÕES.

AVISO: NÃO permita que o conforto ou a familiaridade com o produto (adquirido com o uso repetido) substitua a adesão estrita às regras de segurança da ferramenta.

A MÁ INTERPRETAÇÃO ou o não seguimento das regras de segurança estabelecidas neste manual de instruções pode causar danos pessoais graves.

Instruções de segurança importantes para a bateria

1. **Antes de utilizar a bateria, leia todas as instruções e etiquetas de precaução no (1) carregador de bateria (2) bateria e (3) produto que utiliza a bateria.**
2. **Não abra a bateria.**
3. **Se o tempo de funcionamento se tornar excessivamente curto, pare o funcionamento imediatamente.** Pode resultar em sobreaquecimento, possíveis queimaduras e mesmo explosão.
4. **Se entrar eletrólito nos seus olhos, lave-os com água e consulte imediatamente um médico.** Pode resultar em perda de visão.
5. **Não coloque a bateria em curto-circuito:**
 - (1) **Não toque nos terminais com qualquer material condutor.**
 - (2) **Evite guardar a bateria juntamente com outros objetos metálicos tais como pregos, moedas, etc.**
 - (3) **Não exponha a bateria à água ou chuva.** Um curto-circuito pode ocasionar um enorme fluxo de corrente, sobreaquecimento, possíveis queimaduras e mesmo estragar-se.
6. **Não guarde a ferramenta e a bateria em locais onde a temperatura pode atingir ou exceder 50°C.**
7. **Não queime a bateria mesmo que esteja estragada ou completamente gasta.** A bateria pode explodir no fogo.
8. **Tenha cuidado para não deixar cair ou dar pancadas na bateria.**
9. **Não utilize uma bateria danificada.**

10. **As baterias de íões de lítio contidas na ferramenta são sujeitas aos requisitos da DGL (Dangerous Goods Legislation - Legislação de bens perigosos).** Para o transporte comercial, por exemplo, por terceiros ou agentes de expedição, têm de ser observados os requisitos referentes à embalagem e etiquetagem. Para preparação do artigo a ser expedido, é necessário consultar um perito em materiais perigosos. Tenha ainda em conta a possibilidade de existirem regulamentos nacionais mais detalhados. Coloque fita-cola ou tape os contactos abertos e embale a bateria de tal forma que não possa mover-se dentro da embalagem.
11. **Siga os regulamentos locais relacionados com a eliminação de baterias.**

GUARDE ESTAS INSTRUÇÕES.

PRECAUÇÃO: Utilize apenas baterias genuínas da Makita. A utilização de baterias não genuínas da Makita ou de baterias que foram alteradas, pode resultar no rebentamento da bateria provocando incêndios, ferimentos pessoais e danos. Além disso, anulará da garantia da Makita no que se refere à ferramenta e ao carregador Makita.

Conselhos para manter a máxima vida útil da bateria

1. **Carregue a bateria antes que esteja completamente descarregada. Pare sempre o funcionamento da ferramenta e carregue a bateria quando notar menos poder na ferramenta.**
2. **Nunca carregue uma bateria completamente carregada. Carregamento excessivo diminui a vida útil da bateria.**
3. **Carregue a bateria à temperatura ambiente de 10°C – 40°C.** Deixe que uma bateria quente arrefeça antes de a carregar.
4. **Carregue a bateria se não a utilizar durante um longo período de tempo (mais de seis meses).**

DESCRIÇÃO FUNCIONAL

PRECAUÇÃO: Certifique-se sempre de que a ferramenta está desligada e a bateria foi retirada antes de regular ou verificar qualquer função na ferramenta.

Instalação ou remoção da bateria

PRECAUÇÃO: Desligue sempre a ferramenta antes de colocar ou retirar a bateria.

PRECAUÇÃO: Segure firmemente a ferramenta e a bateria quando instalar ou remover a bateria. Se não segurar firmemente a ferramenta e a bateria pode fazer com que escorreguem das suas mãos resultando em danos na ferramenta e na bateria e ferimentos pessoais.

► Fig.1: 1. Indicador vermelho 2. Botão 3. Bateria

Para retirar a bateria, deslize-a para fora da ferramenta enquanto desliza o botão na frente da bateria.

Para instalar a bateria, alinhe a lingueta da bateria com a ranhura no compartimento e deslize-a no lugar.

Empurre-a até o fim para que a mesma encaixe no lugar com um clique. Se puder ver a parte vermelha no lado superior do botão, significa que não está completamente bloqueada.

⚠️ PRECAUÇÃO: Instale sempre a bateria até ao fim, até deixar de ver o indicador vermelho. Caso contrário, a bateria poderá cair da ferramenta acidentalmente e provocar ferimentos em si mesmo ou em alguém próximo.

⚠️ PRECAUÇÃO: Não instale a bateria à força. Se a bateria não deslizar facilmente é porque não foi colocada corretamente.

Indicação da capacidade restante da bateria

Apenas as baterias com a indicação “B” no final do número do modelo

► Fig.2: 1. Luzes indicadoras 2. Botão de verificação

Prima o botão de verificação na bateria para indicar a capacidade restante da bateria. As luzes indicadoras acendem durante alguns segundos.

Luzes indicadoras			Capacidade restante
Aceso	Apagado	A piscar	
■	□	◐	75% a 100%
■	■	■	
■	■	□	50% a 75%
■	■	□	25% a 50%
■	□	□	0% a 25%
◐	□	□	Carregar a bateria.
■	■	□	A bateria pode estar avariada.
□	□	■	

NOTA: Dependendo das condições de utilização e da temperatura ambiente, a indicação pode ser ligeiramente diferente da capacidade real.

Sistema de proteção da ferramenta/bateria

A ferramenta está equipada com um sistema de proteção da ferramenta/bateria. Este sistema corta automaticamente a corrente para o motor para aumentar a vida da ferramenta e da bateria. A ferramenta para automaticamente durante o funcionamento se a ferramenta ou bateria for colocada mediante uma das seguintes condições:

Proteção contra sobrecarga

Quando a bateria é operada de forma a puxar uma corrente anormalmente elevada, a ferramenta para automaticamente sem qualquer indicação. Nesse caso, desligue a ferramenta e pare a operação que provocou a sobrecarga da ferramenta. Em seguida, volte a ligar a ferramenta para a reiniciar.

Proteção contra sobreaquecimento

Quando a ferramenta/bateria está sobreaquecida, a ferramenta para automaticamente. Nesse caso, aguarde até a bateria arrefecer antes de voltar a ligar a ferramenta.

Proteção contra descarga excessiva

Quando a capacidade da bateria não é suficiente, a ferramenta para automaticamente. Neste caso, retire a bateria da ferramenta e carregue-a.

NOTA: A proteção de sobrecarga só trabalha com baterias que têm a marca de estrela.

► Fig.3: 1. Marca de estrela

Ação do interruptor

► Fig.4: 1. Gatilho do interruptor

⚠️ PRECAUÇÃO: Antes de colocar a bateria na ferramenta, verifique sempre se o gatilho do interruptor funciona corretamente e volta para a posição “OFF” quando libertado.

Para iniciar a ferramenta, carregue simplesmente no gatilho do interruptor. A velocidade da ferramenta aumenta quando aumenta a pressão no gatilho. Liberte o gatilho do interruptor para parar.

Acender a lâmpada da frente

► Fig.5: 1. Lâmpada

⚠️ PRECAUÇÃO: Não olhe para a luz ou para a fonte de iluminação diretamente.

Puxe o gatilho do interruptor para acender a lâmpada. A lâmpada mantém-se acesa enquanto o gatilho do interruptor estiver a ser premido. A lâmpada apaga-se aproximadamente 10 segundos após soltar o gatilho do interruptor.

NOTA: Utilize um pano seco para limpar a sujidade da lente da lâmpada. Tenha cuidado para não riscar a lente da lâmpada ou a iluminação pode ficar enfraquecida.

Ação do interruptor de inversão

► Fig.6: 1. Alavanca do interruptor de inversão

⚠️ PRECAUÇÃO: Verifique sempre a direção de rotação antes da operação.

⚠️ PRECAUÇÃO: Só utilize o interruptor de inversão depois de a ferramenta estar completamente parada. Mudar a direção de rotação antes de a ferramenta parar pode estragar a ferramenta.

⚠️ PRECAUÇÃO: Quando não estiver a utilizar a ferramenta, coloque sempre a alavanca do interruptor de inversão na posição neutra.

Esta ferramenta tem um interruptor de inversão para mudar a direção de rotação. Pressione a alavanca do interruptor de inversão no lado A para rotação para a direita ou no lado B para rotação para a esquerda. Quando a alavanca do interruptor de inversão está na posição neutra, não é possível carregar no gatilho.

MONTAGEM

⚠️ PRECAUÇÃO: Certifique-se sempre de que a ferramenta está desligada e a bateria retirada antes de executar qualquer trabalho na ferramenta.

Instalar ou retirar a broca de aparafusar/broca de contacto

► Fig.7

Utilize só brocas de aparafusar/brocas de contacto que tenham a parte de inserção como mostrado na figura. Não utilize outras brocas de aparafusar/brocas de contacto.

Para ferramenta com furo de broca de aparafusar raso

A=12 mm B=9 mm	Utilize só estes tipos de brocas de aparafusar. Execute o procedimento 1. (Nota) Não necessita de extensão da broca.
-------------------	--

Para ferramenta com furo de broca de aparafusar fundo

A=17 mm B=14 mm	Para instalar estes tipos de broca de aparafusar, execute o procedimento 1.
A=12 mm B=9 mm	Para instalar estes tipos de broca de aparafusar, execute o procedimento 2. (Nota) Necessita de extensão da broca para instalar a broca.

Procedimento 1

Para ferramentas sem manga do tipo um toque

► Fig.8: 1. Broca de aparafusar 2. Manga

Para instalar a broca de aparafusar, puxe a manga na direção da seta e coloque a broca de aparafusar dentro da manga, o mais fundo possível.

Em seguida, solte a manga para prender a broca de aparafusar.

Para ferramentas com manga do tipo um toque

Para instalar a broca de aparafusar, insira-a dentro da manga o mais fundo possível.

Procedimento 2

Além do **Procedimento 1**, insira a extensão da broca dentro da manga com a extremidade pontiaguda virada para dentro.

► Fig.9: 1. Broca de aparafusar 2. Extensão da broca 3. Manga

Para remover a broca de aparafusar, puxe a manga na direção da seta e puxe a broca de aparafusar para fora.

NOTA: Se a broca de aparafusar não estiver colocada suficientemente funda na manga, a manga não voltará para a sua posição original e a broca de aparafusar não ficará presa. Neste caso, volte a colocar a broca de acordo com as instruções acima.

NOTA: Quando for difícil inserir a broca de aparafusar, puxe a manga e insira a broca dentro da manga o mais fundo possível.

NOTA: Depois de colocar a broca de aparafusar, certifique-se de que está presa firmemente. Se sair, não a utilize.

Instalar o gancho

► Fig.10: 1. Ranhura 2. Gancho 3. Parafuso

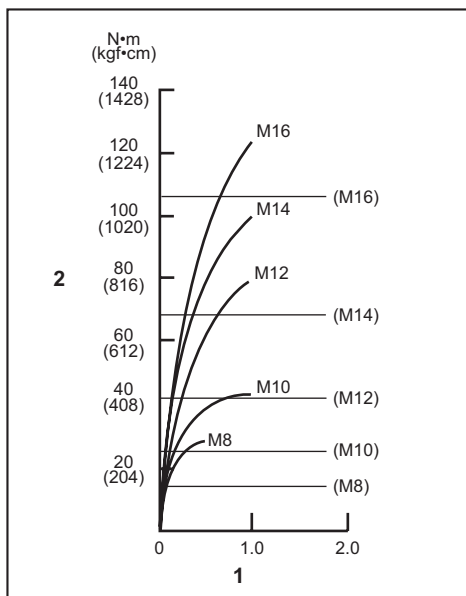
O gancho é conveniente para pendurar temporariamente a ferramenta. Pode ser instalado em qualquer um dos lados da ferramenta. Para instalar o gancho, coloque-o numa ranhura no corpo da ferramenta em qualquer um dos lados e prenda-o com um parafuso. Para o retirar, solte o parafuso e retire-o.

OPERAÇÃO

► Fig.11

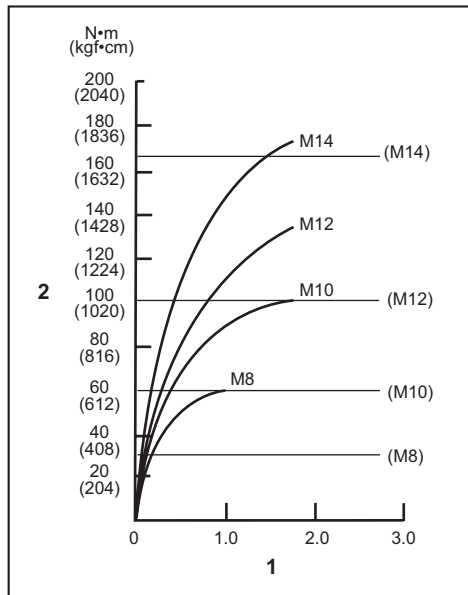
O binário de aperto adequado pode diferir dependendo do tipo e tamanho do parafuso/perno, do material da peça de trabalho a ser apertada, etc. A relação entre o binário de aperto e o tempo de aperto é indicada nas figuras.

Binário de aperto adequado para o perno normal



1. Tempo de aperto (segundos) 2. Binário de aperto

Binário de aperto adequado para o perno de grande carga



1. Tempo de aperto (segundos) 2. Binário de aperto

Agarre na ferramenta firmemente e coloque a ponta da broca de aparafusar na cabeça do parafuso. Aplique pressão para a frente na ferramenta de modo que a broca não deslize para fora do parafuso e ligue a ferramenta para começar a operação.

OBSERVAÇÃO: Se utilizar uma bateria sobresalente para continuar a operação, deixe a ferramenta descansar pelo menos 15 minutos.

NOTA: Utilize a broca correta para a cabeça do parafuso/perno que pretende utilizar.

NOTA: Quando apertar um parafuso M8 ou mais pequeno, ajuste cuidadosamente a pressão no gatilho para que o parafuso não fique danificado.

NOTA: Mantenha a ferramenta apontada a direito para o parafuso.

NOTA: Se a força de impacto for muito forte ou se apertar o parafuso durante um tempo superior ao indicado nas figuras, o parafuso ou a ponta da broca de aparafusar pode sofrer pressão excessiva, separar-se, danificar-se, etc. Antes de iniciar o trabalho, faça sempre um teste de funcionamento para determinar o tempo de aperto apropriado para o parafuso.

O binário de aperto é afetado por uma enorme variedade de fatores, incluindo o seguinte. Depois do aperto, verifique sempre o binário com uma chave de binário.

1. Quando a bateria está quase completamente descarregada, a tensão baixará e o binário de aperto será reduzido.
2. Broca de aparafusar ou broca de contacto
A não utilização do tamanho correto da broca de aparafusar ou da broca de contacto causará redução no binário de aperto.

3. Perno
 - Mesmo que o coeficiente do binário e o tipo do perno sejam o mesmo, o binário de aperto adequado será diferente de acordo com o diâmetro do perno.
 - Mesmo que os diâmetros dos pernos sejam os mesmos, o binário de aperto adequado será diferente de acordo com o coeficiente do binário, o tipo e o comprimento do perno.
4. O modo de pegar na ferramenta ou o material na posição a ser aparafusado afetará o binário.
5. Funcionar com a ferramenta a baixa velocidade causará redução do binário de aperto.

MANUTENÇÃO

PRECAUÇÃO: Certifique-se sempre de que a ferramenta se encontra desligada e de que a bateria foi retirada antes de executar qualquer inspeção ou manutenção.

OBSERVAÇÃO: Nunca utilize gasolina, benzina, diluente, álcool ou produtos semelhantes. Pode ocorrer a descoloração, deformação ou rachaduras.

Para manter a SEGURANÇA e a FIABILIDADE do produto, as reparações e qualquer outra manutenção ou ajuste devem ser levados a cabo pelos centros de assistência Makita autorizados ou pelos centros de assistência de fábrica, utilizando sempre peças de substituição Makita.

ACESSÓRIOS OPCIONAIS

PRECAUÇÃO: Estes acessórios ou peças são recomendados para utilização com a ferramenta Makita especificada neste manual. A utilização de outros acessórios ou peças pode ser perigosa para as pessoas. Utilize apenas acessórios ou peças para os fins indicados.

Se necessitar de informações adicionais relativas a estes acessórios, solicite-as ao seu centro de assistência Makita.

- Brocas de aparafusar
- Brocas de contacto
- Extensão da broca
- Gancho
- Caixa de plástico para transporte
- Protetor da bateria
- Suspensor da ferramenta
- Bateria e carregador genuínos da Makita

NOTA: Alguns itens da lista podem estar incluídos na embalagem da ferramenta como acessórios padrão. Eles podem variar de país para país.

SPECIFIKATIONER

Model:		DTD153
Skruekapacitet	Maskinskrue	4 mm - 8 mm
	Standardbolt	5 mm - 16 mm
	Højstyrkebolt	5 mm - 14 mm
Hastighed uden belastning		0 - 3.400 min ⁻¹
Slag pr. minut		0 - 3.600 min ⁻¹
Længde		126 mm
Mærkespænding		D.C. 18 V
Akku		BL1815, BL1815N, BL1820, BL1820B, BL1830, BL1830B, BL1840, BL1840B, BL1850, BL1850B, BL1860B
Vægt		1,3 kg 1,5 kg

- På grund af vores kontinuerlige forsknings- og udviklingsprogrammer kan hosstående specifikationer blive ændret uden varsel.
- Specifikationer og akku kan variere fra land til land.
- Vægt inklusive akku, i henhold til EPTA-Procedure 01/2003

Tilsigtet anvendelse

Denne maskine er beregnet til skruring i træ, metal og plastmaterialer.

Lyd

Det typiske A-vægtede støjniveau bestemt i overensstemmelse med EN60745:

Lydtryksniveau (L_{pA}): 96 dB (A)

Lydeffektniveau (L_{WA}): 107 dB (A)

Usikkerhed (K): 3 dB (A)

⚠ ADVARSEL: Bær høreværn.

Vibration

Vibrationens totalværdi (tre-aksial vektorsum) bestemt i overensstemmelse med EN60745:

Arbejdstilstand: slagstramning af fastgøringsanordninger med maksimal kapacitet for maskinen

Vibrationsemission (a_v): 13,0 m/s²

Usikkerhed (K): 1,5 m/s²

BEMÆRK: Den angivne vibrationsemissionsværdier blevet målt i overensstemmelse med standardtestmetoden og kan anvendes til at sammenligne et værktøj med et andet.

BEMÆRK: Den angivne vibrationsemissionsværdien kan også anvendes i en præliminær eksponeringsvurdering.

⚠ ADVARSEL: Vibrationsemissionen under den faktiske anvendelse af værktøjet kan være forskellig fra den erklærede emissionsværdi, afhængigt af den måde, hvorpå værktøjet anvendes.

⚠ ADVARSEL: Sørg for at identificere de sikkerhedsforskrifter til beskyttelse af operatøren, som er baseret på en vurdering af eksponering under de faktiske brugsforhold (med hensyntagen til alle dele i brugscyklussen, f.eks. de gange, hvor værktøjet er slukket, og når det kører i tomgang i tilgift til afbrydertiden).

EU-overensstemmelseserklæring

Kun for lande i Europa

EU-overensstemmelseserklæringen er inkluderet som Bilag A i denne brugsanvisning.

SIKKERHEDSADVARSLER

Almindelige sikkerhedsregler for el-værktøj

⚠ ADVARSEL: Læs alle sikkerhedsadvarsler og alle sikkerhedsinstruktioner. Hvis nedenstående advarsler og instruktioner ikke overholdes, kan det medføre elektrisk stød, brand og/eller alvorlig personskade.

Gem alle advarsler og instruktioner til fremtidig reference.

Ordet "el-værktøj" i advarslerne henviser til det netforsyede (netledning) el-værktøj eller batteriforsyede (akku) el-værktøj.

Sikkerhedsadvarsler for akku slagskruemaskine

1. Hold kun maskinen i de isolerede grebflader, når De udfører arbejde, hvor fastgøringsanordningen kan komme i kontakt med skjulte ledninger. Fastgørelsesanordninger, som kommer i kontakt med en strømførende ledning kan gøre uafdækkede metaldele på maskinen strømførende og give operatøren stød.
2. Sørg for at stå på et fast underlag. Sørg for at der ikke opholder sig personer under arbejdsområdet, når De arbejder i højden.
3. Hold maskinen godt fast.
4. Brug høreværn.
5. Rør ikke ved bitten eller arbejdsmønt umiddelbart efter brug. Disse dele kan være ekstremt varme og medføre forbrændinger.
6. Hold hænderne væk fra roterende dele.

GEM DENNE BRUGSANVISNING.

⚠ ADVARSEL: LAD IKKE bekvemmelighed eller kendskab til produktet (opnået gennem gentagen brug) forhindre, at sikkerhedsforskrifterne for produktet nøje overholdes.

MISBRUG eller forsømmelse af at følge de i denne brugsvejledning givne sikkerhedsforskrifter kan føre til, at De kommer alvorligt til skade.

Vigtige sikkerhedsinstruktioner for akkuen

1. Læs alle instruktioner og advarselmærkater på (1) akku-opladeren, (2) akkuen og (3) produktet, som anvender akku.
2. Lad være med at skille akkuen ad.
3. Hold straks op med anvendelsen, hvis brugstiden er blevet stærkt afkortet. Fortsat anvendelse kan resultere i risiko for overophedning, forbrændinger og endog eksplosion.
4. Hvis De har fået elektrolytvæske i øjnene, skal De straks skylle den ud med rent vand og derefter øjeblikkeligt søge lægehjælp. I modsat fald kan De miste synet.
5. Vær påpasselig med ikke at komme til at kortslutte akkuen:
 - (1) Rør ikke ved terminalerne med noget ledende materiale.
 - (2) Undgå at opbevare akkuen i en beholder sammen med andre genstande af metal, for eksempel søm, mønter og lignende.
 - (3) Udsæt ikke akkuen for vand eller regn. Kortslutning af akkuen kan forårsage en kraftig øgning af strømmen, overophedning, mulige forbrændinger og endog værktøjstop.
6. Opbevar ikke værktøjet og akkuen på et sted, hvor temperaturen kan nå eller overstige 50 °C.
7. Lad være med at brænde akkuen, selv ikke i tilfælde, hvor den har lidt alvorlig skade eller er fuldstændig udtjent. Akkuen kan eksplodere, hvis man forsøger at brænde den.
8. Lad være med at brænde akkuen eller udsætte den for stød.

9. Anvend ikke en beskadiget akku.
10. De indbyggede litium-ion-batterier er underlagt lovkrav vedrørende farligt gods. Ved kommerciel transport, f.eks. af tredjeparts transportsselskaber, skal særlige krav til forpakning og mærkning overholdes. Ved forberedelse af udstyret til forsendelse skal du kontakte en ekspert i farligt gods. Overhold også eventuel mere detaljeret national lovgivning. Tape eller tildæk åbne kontakter, og pak batteriet på en måde, så det ikke kan flytte sig rundt i pakningen.
11. Følg de lokale love vedrørende bortskaffelsen af batterier.

GEM DENNE BRUGSANVISNING.

⚠ FORSIGTIG: Brug kun originale batterier fra Makita. Brug af uoriginale Makita-batterier, eller batterier som er blevet ændret, kan muligvis medføre brud på batteriet, hvilket kan forårsage brand, personskade eller beskadigelse. Det ugyldiggør også Makita-garantien for Makita-maskinen og opladeren.

Tips til opnåelse af maksimal akku-levetid

1. Oplad akkuen, inden den er helt afladet. Stop altid værktøjet, og oplad akkuen, hvis De bemærker, at værktøjeffekten er aftagende.
2. Genoplad aldrig en fuldt opladet akku. Overopladning vil afkorte akkuens levetid.
3. Oplad akkuen ved stuetemperatur ved 10 °C - 40 °C. Lad altid en varm akku få tid til at køle af, inden den oplades.
4. Oplad akkuen, hvis De ikke skal bruge den i længere tid (mere end seks måneder).

FUNKTIONSBESKRIVELSE

⚠ FORSIGTIG: Sørg altid for at maskinen er slukket, og at akkuen er taget ud, før der udføres justering eller kontrol af funktioner på maskinen.

Isætning eller fjernelse af akkuen

⚠ FORSIGTIG: Sluk altid for værktøjet, før De monterer eller fjerner akkuen.

⚠ FORSIGTIG: Hold værktøjet og akkuen fast ved montering eller fjernelse af akkuen. Hvis De ikke holder værktøjet og akkuen fast, kan de glide ud af hænderne på Dem og forårsage beskadigelse af værktøjet og akkuen eller personskade.

► Fig. 1: 1. Rød indikator 2. Knap 3. Akku

Akkuen fjernes ved, at De trækker den ud af værktøjet, idet De skyder knappen på forsiden af akkuen i stilling.

Akkuen monteres ved, at De sætter tungen på akkuen ud for noten i kabinettet og lader den glide på plads. Sæt den hele vejen ind, så den låses på plads med et lille klik. Hvis den røde indikator på oversiden af knappen er synlig, betyder det, at den ikke er tilstrækkeligt låst.

⚠️ FORSIGTIG: Monter altid akkuen helt, indtil den røde indikator ikke længere er synlig. Hvis dette ikke gøres, kan den falde ud af værktøjet ved et uheld, hvorved De selv eller personer i nærheden kan komme til skade.

⚠️ FORSIGTIG: Brug ikke magt ved montering af akkuen. Hvis akkuen ikke glider på plads uden problemer, betyder det, at den ikke sættes i på korrekt vis.

Indikation af den resterende batteriladning

Kun akkuer, hvor modelnummeret slutter med "B"

► Fig.2: 1. Indikatorlamper 2. Kontrolknap

Tryk på kontrolknappen på akkuen for at få vist den resterende batteriladning. Indikatorlampen lyser i nogle sekunder.

Indikatorlamper			Resterende ladning
Tændt	Slukket	Blinker	
■	□	◻	75% til 100%
■ ■ ■ ■			50% til 75%
■ ■	□ □		25% til 50%
■	□ □ □ □		0% til 25%
◻	□ □ □ □		Genoplad batteriet.
■ ■	□ □	◻	Der er muligvis fejl i batteriet.
	□ □	■ ■	

BEMÆRK: Afhængigt af brugsforholdene og den omgivende temperatur kan indikationen afvige en smule fra den faktiske ladning.

Beskyttelsessystem til værktøj/batteri

Maskinen er udstyret med et beskyttelsessystem til maskinen/batteriet. Dette system afbryder automatisk strømmen til motoren for at forlænge maskinens og batteriets levetid. Maskinen stopper automatisk under brugen, hvis maskinen eller batteriet udsættes for et af følgende forhold:

Overbelastningsbeskyttelse

Hvis batteriet bruges på en måde, der får det til at trække en unormalt høj strøm, stopper maskinen automatisk uden indikation. Sluk i så fald for maskinen, og stop den anvendelse, der medførte overbelastningen af maskinen. Tænd derefter for maskinen for at starte igen.

Beskyttelse mod overophedning

Hvis maskinen/batteriet er overophedet, stopper maskinen automatisk. Lad i så fald batteriet køle ned, før der tændes for maskinen igen.

Beskyttelse mod overafledning

Når batteriladningen er utilstrækkelig, stopper maskinen automatisk. Tag i så fald akkuen ud af maskinen, og oplad akkuen.

BEMÆRK: Overbelastningsbeskyttelse fungerer kun med batterier med stjernemærkning.

► Fig.3: 1. Stjernemærkning

Afbryderbetjening

► Fig.4: 1. Afbryderknop

⚠️ FORSIGTIG: Inden akkuen sættes i maskinen, bør De altid kontrollere, at afbryderknappen fungerer korrekt, og returnerer til "OFF"-positionen, når den slippes.

For at starte maskinen trykkes der blot på afbryderknappen. Maskinens hastighed øges ved at øge trykket på afbryderknappen. Slip afbryderknappen for at stoppe.

Tænding af lampen foran

► Fig.5: 1. Lampe

⚠️ FORSIGTIG: Kig aldrig direkte på lyskilden. Lad ikke lyset falde i Deres øjne.

Tryk afbryderknappen ind for at tænde for lampen. Lampen fortsætter med at lyse, så længe afbryderknappen trykkes ind. Lampen slukker omkring 10 sekunder efter at afbryderknappen er udløst.

BEMÆRK: Brug en tør klud til at tørre snavset af lampens linse. Pas på ikke at ridsе lampens linse, da dette muligvis kan dæmpe belysningen.

Omløbsvælgerbetjening

► Fig.6: 1. Omløbsvælger

⚠️ FORSIGTIG: Kontrollér altid omløbsretningen, inden arbejdet påbegyndes.

⚠️ FORSIGTIG: Flyt kun omløbsvælgeren, når maskinen er helt standset. Hvis omløbsretningen ændres, inden maskinen er helt stoppet, kan det beskadige maskinen.

⚠️ FORSIGTIG: Sæt altid omløbsvælgeren i neutral stilling, når maskinen ikke anvendes.

Denne maskinen har en omløbsvælger til at skifte omløbsretning. Skub omløbsvælgeren ind fra A-siden for omdrejning med uret, og fra B-siden for omdrejning mod uret. Når omløbsvælgeren er i neutral stilling, kan afbryderknappen ikke trykkes ind.

SAMLING

⚠️ FORSIGTIG: Sørg altid for at maskinen er slukket, og at akkuen er taget ud, før der udføres noget arbejde på maskinen.

Montering og afmontering af skruebit/top

► Fig.7

Anvend kun en skruebit/top med en isætningsdel som den, der vises på illustrationen. Brug ikke nogen anden skruebit/top.

Til maskine med lavt skruebit hul

A=12 mm B=9 mm	Anvend kun disse typer skruebits. Følg fremgangsmåden 1. (Bemærk) Bitstykke er ikke nødvendig.
-------------------	--

Til maskine med dybt skruebit hul

A=17 mm B=14 mm	Følg fremgangsmåden 1, når disse typer skruebits monteres.
A=12 mm B=9 mm	Følg fremgangsmåden 2, når disse typer skruebits monteres. (Bemærk) Bitstykke er nødvendig ved montering af bitten.

Procedure 1

For maskiner uden muffe af enkeltryk-typen

► Fig.8: 1. Skruebit 2. Muffe

For at montere skruebitten, trækkes muffen i pilens retning, og skruebitten sættes så langt ind i muffen, som den kan komme.

Frigør derefter muffen for at fastgøre skruebitten.

For maskiner med muffe af enkeltryk-typen

For at montere skruebitten sættes skruebitten så langt ind i muffen, som den kan komme.

Procedure 2

Ud over **Procedure 1** sættes bitstykke ind i muffen med den spidse ende indad.

► Fig.9: 1. Skruebit 2. Bitstykke 3. Muffe

For at fjerne skruebitten, skal man trække muffen i pilens retning og trække skruebitten ud.

BEMÆRK: Hvis skruebitten ikke sættes langt nok ind i muffen, vil muffen ikke vende tilbage til dens oprindelige position, og skruebitten vil ikke blive holdt ordentlig fast. I så tilfælde kan De prøve at isætte bitten igen som beskrevet i instruktionerne ovenfor.

BEMÆRK: Hvis det er vanskeligt at indsætte skruebitten, skal De trække i muffen og sætte den så langt ind i muffen, som den kan komme.

BEMÆRK: Kontroller, at skruebitten sidder godt fast, når den er sat ind. Den må ikke bruges, hvis den kommer ud.

Monteringskrog

► Fig.10: 1. Rille 2. Krog 3. Skrue

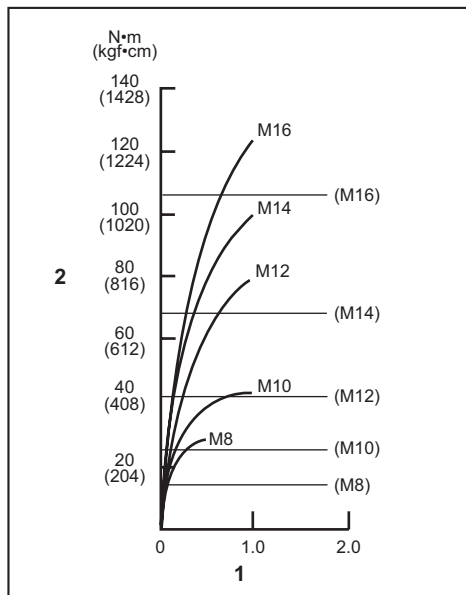
Krogen er bekvem til midlertidig ophængning af maskinen. Den kan monteres på begge sider af maskinen. Krogen monteres ved at man sætter den ind i rillen på maskinen på en af siderne og derefter fastgør den med en skrue. Krogen tages af ved at man løsner skruen og derefter tager den af.

ANVENDELSE

► Fig.11

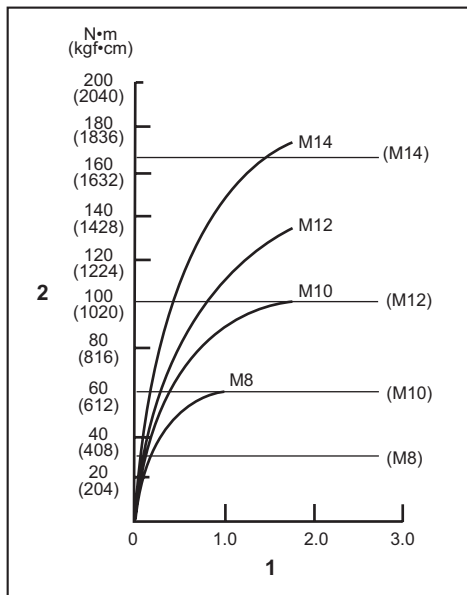
Det korrekte drejningsmoment kan svinge afhængigt af skrueens eller boltens type eller størrelse, materialet på emnet, der skal fastgøres, osv. Forholdet mellem drejningsmoment og fastspændingstid er vist i figurene.

Korrekt drejningsmoment for standardbolt



1. Fastspændingstid (sekund) 2. Drejningsmoment

Korrekt drejningsmoment for højstyrkebolt



1. Fastspændingstid (sekund) 2. Drejningsmoment

Hold godt fast på maskinen, og anbring spidsen af skruebitten i skrueens hoved. Læg fremadrettet tryk på maskinen, men kun så meget at bitten ikke smutter ud af skruen, og tænd for maskinen for at starte operationen.

BEMÆRKNING: Hvis de bruger en reserveakku til at fortsætte brugen, skal maskinen hvile i mindst 15 minutter.

BEMÆRK: Anvend den korrekte bit passende til hovedet på den skrue eller bolt, som De ønsker at anvende.

BEMÆRK: Ved fastgørelse af en M8-skrue eller mindre skal du omhyggeligt justere trykket på afbryderknappen, således at skruen ikke lider skade.

BEMÆRK: Hold maskinen rettet lige mod skruen.

BEMÆRK: Hvis slagkraften er for stor eller man spænder skruen i længere tid end vist på illustrationerne, kan skruen eller spidsen på skruebitten blive overbelastet, skruet over gevind, ødelagt, beskadiget o.s.v. Inden De påbegynder arbejdet, skal De altid udføre en prøve for at bestemme den rigtige fastspændingstid for skruen.

Drejningsmomentet påvirkes af en lang række faktorer, herunder de nedenfor nævnte. Kontrollér altid momentet med en momentnøgle efter fastspænding.

1. Når akkuen er næsten helt afladet, falder spændingen og derved reduceres drejningsmomentet.
2. Skruebit eller top
Hvis der ikke bruges den korrekte størrelse skruebit eller top, vil drejningsmomentet blive reduceret.
3. Bolt
 - Selvom momentkoefficienten og bolttypen er den samme, vil det korrekte drejningsmoment variere afhængigt af diameteren på boltten.

- Selv ved samme bolt diameter kan det korrekte drejningsmoment variere afhængigt af momentkoefficienten, bolttypen og længden.
4. Den måde maskinen holdes på, og materialet på det sted, hvor der fastgøres, vil påvirke drejningsmomentet.
 5. Når maskinen anvendes med lav hastighed, reduceres drejningsmomentet.

VEDLIGEHOJDELSE

⚠FORSIGTIG: Vær altid sikker på, at værktøjet er slukket, og at akkuen er taget ud, inden De begynder at udføre inspektion eller vedligeholdelse.

BEMÆRKNING: Anvend aldrig benzin, rensebenzin, fortynder, alkohol og lignende. Det kan medføre misfarvning, deformation eller revner.

For at opretholde produktets SIKKERHED og PÅLIDELIGHED må reparation, vedligeholdelse eller justering kun udføres af et autoriseret Makita servicecenter eller fabrikksservicecenter med anvendelse af Makita reservedele.

EKSTRAUDSTYR

⚠FORSIGTIG: Det følgende tilbehør og ekstraudstyr er anbefalet til brug med Deres Makita maskine, der er beskrevet i denne brugsanvisning. Anvendelse af andet tilbehør eller ekstraudstyr kan udgøre en risiko for personskaade. Anvend kun tilbehør og ekstraudstyr til det beskrevne formål.

Hvis De behøver hjælp ved valg af tilbehør eller ønsker yderligere informationer, bedes De kontakte Deres lokale Makita servicecenter.

- Skruebits
- Top
- Bitstykke
- Krog
- Plastbæretasken
- Akkubeskytter
- Maskinebøjle
- Original Makita-akku og oplader

BEMÆRK: Nogle ting på denne liste kan være inkluderet i værktøjsspakken som standardtilbehør. Det kan være forskellige fra land til land.

ΠΡΟΔΙΑΓΡΑΦΕΣ

Μοντέλο:		DTD153	
Ικανότητες στερέωσης	Κοχλίας	4 mm - 8 mm	
	Κανονικό μπουλόνι	5 mm - 16 mm	
	Μπουλόνι υψηλού εφελκυσμού	5 mm - 14 mm	
Ταχύτητα χωρίς φορτίο		0 - 3.400 min ⁻¹	
Κρούσεις ανά λεπτό		0 - 3.600 min ⁻¹	
Ολικό μήκος		126 mm	
Ονομαστική τάση		D.C. 18 V	
Κασέτα μπαταρίας		BL1815, BL1815N, BL1820, BL1820B	BL1830, BL1830B, BL1840, BL1840B, BL1850, BL1850B, BL1860B
Καθαρό βάρος		1,3 kg	1,5 kg

- Λόγω του συνεχιζόμενου προγράμματος έρευνας και ανάπτυξης, οι προδιαγραφές αυτές υπόκεινται σε αλλαγές χωρίς προειδοποίηση.
- Οι προδιαγραφές και η κασέτα μπαταριών μπορεί να διαφέρουν ανάλογα με τη χώρα.
- Βάρος, με κασέτα μπαταριών, σύμφωνα με τη διαδικασία ΕΡΤΑ 01/2003

Προοριζόμενη χρήση

Το εργαλείο προορίζεται για βιδώματα σε ξύλο, μέταλλο και πλαστικό.

Θόρυβος

Το τυπικό Α επίπεδο καταμετρημένου θορύβου καθορίζεται σύμφωνα με το EN60745:

Στάθμη ηχητικής πίεσης (L_{PA}): 96 dB (A)
 Στάθμη ηχητικής ισχύος (L_{WA}): 107 dB (A)
 Αβεβαιότητα (K): 3 dB (A)

▲ ΠΡΟΕΙΔΟΠΟΙΗΣΗ: Να φοράτε ωτοασπίδες.

Κραδασμός

Η ολική τιμή δόνησης (άθροισμα τρι-αξονικού διανύσματος) καθορίζεται σύμφωνα με το EN60745:

Είδος εργασίας: σφίξιμο κρούσης των συνδέσμων
 μέγιστης απόδοσης του εργαλείου
 Εκπομπή δόνησης (a_n): 13,0 m/s²
 Αβεβαιότητα (K): 1,5 m/s²

ΠΑΡΑΤΗΡΗΣΗ: Η δηλωμένη τιμή εκπομπής κραδασμών έχει μετρηθεί σύμφωνα με την πρότυπη μέθοδο δοκιμής και μπορεί να χρησιμοποιηθεί για τη σύγκριση ενός εργαλείου με άλλο.

ΠΑΡΑΤΗΡΗΣΗ: Η δηλωμένη τιμή εκπομπής κραδασμών μπορεί να χρησιμοποιηθεί και στην προκαταρκτική αξιολόγηση έκθεσης.

▲ ΠΡΟΕΙΔΟΠΟΙΗΣΗ: Η εκπομπή κραδασμών κατά τη χρήση του ηλεκτρικού εργαλείου σε πραγματικές συνθήκες μπορεί να διαφέρει από τη δηλωμένη τιμή εκπομπής ανάλογα με τον τρόπο χρήσης του εργαλείου.

▲ ΠΡΟΕΙΔΟΠΟΙΗΣΗ: Φροντίστε να λάβετε τα κατάλληλα μέτρα προστασίας του χειριστή βάσει ενός υπολογισμού της έκθεσης σε πραγματικές συνθήκες χρήσης (λαμβάνοντας υπόψη όλες τις συνιστώσες του κύκλου λειτουργίας όπως τους χρόνους που το εργαλείο είναι εκτός λειτουργίας και όταν βρίσκεται σε αδρανή λειτουργία πέραν του χρόνου ενεργοποίησης).

Δήλωση συμμόρφωσης ΕΚ

Μόνο για χώρες της Ευρώπης

Η δήλωση συμμόρφωσης ΕΚ περιλαμβάνεται ως Παράρτημα Α στο παρόν εγχειρίδιο οδηγιών.

ΠΡΟΕΙΔΟΠΟΙΗΣΕΙΣ ΑΣΦΑΛΕΙΑΣ

Γενικές προειδοποιήσεις ασφαλείας για το ηλεκτρικό εργαλείο

▲ ΠΡΟΕΙΔΟΠΟΙΗΣΗ: Διαβάστε όλες τις προειδοποιήσεις για την ασφάλεια και όλες τις οδηγίες. Η μη τήρηση των προειδοποιήσεων και οδηγιών μπορεί να καταλήξει σε ηλεκτροπληξία, πυρκαγιά ή/και σοβαρό τραυματισμό.

Φυλάξτε όλες τις προειδοποιήσεις και τις οδηγίες για μελλοντική παραπομπή.

Στις προειδοποιήσεις, ο όρος «ηλεκτρικό εργαλείο» αναφέρεται σε ηλεκτρικό εργαλείο που τροφοδοτείται από την κύρια παροχή ηλεκτρικού ρεύματος (με ηλεκτρικό καλώδιο) ή σε ηλεκτρικό εργαλείο που τροφοδοτείται από μπαταρία (χωρίς ηλεκτρικό καλώδιο).

Προειδοποιήσεις για την ασφάλεια του κρουστικού κατασβιδιού μπαταρίας

1. Να κρατάτε το ηλεκτρικό εργαλείο από τις λαβές με μόνωση όταν εκτελείτε εργασίες κατά τις οποίες ο σύνδεσμος μπορεί να έρθει σε επαφή με κρυμμένα καλώδια. Αν ο σύνδεσμος έρθει σε επαφή με κάποιο ηλεκτροφόρο καλώδιο, μπορεί τα εκτεθειμένα μεταλλικά μέρη του ηλεκτρικού εργαλείου να γίνουν κι αυτά ηλεκτροφόρα και να προκληθεί ηλεκτροπληξία στο χειριστή.
2. Να βεβαιώνετε πάντα ότι στέκεστε σταθερά. Όταν χρησιμοποιείτε το εργαλείο σε υψηλές τοποθεσίες, να βεβαιώνετε ότι δεν βρίσκεται κανένας από κάτω.
3. Να κρατάτε το εργαλείο σταθερά.
4. Να φοράτε ωτασπίδες.
5. Μην αγγίζετε τη μύτη ή το τεμάχιο εργασίας αμέσως μετά τη λειτουργία. Μπορεί να είναι εξαιρετικά καυτά και να προκαλέσει έγκαυμα στο δέρμα σας.
6. Μην πλσιάζετε τα χέρια σας σε περιστρεφόμενα μέρη.

ΦΥΛΑΞΤΕ ΤΙΣ ΟΔΗΓΙΕΣ ΑΥΤΕΣ.

▲ΠΡΟΕΙΔΟΠΟΙΗΣΗ: ΜΗΝ επιτρέψετε στην άνεση ή στην εξοικείωσή σας με το προϊόν (που αποκτήθηκε από επανειλημμένη χρήση) να αντικαταστήσει την αυστηρή τήρηση των κανόνων ασφαλείας του παρόντος εργαλείου.

Η ΛΑΝΘΑΣΜΕΝΗ ΧΡΗΣΗ ή η αμέλεια να ακολουθήσετε τους κανόνες ασφαλείας που διατυπώνονται στο παρόν εγχειρίδιο οδηγιών μπορεί να προκαλέσει σοβαρό προσωπικό τραυματισμό.

Σημαντικές οδηγίες ασφαλείας για κασέτα μπαταριών

1. Πριν χρησιμοποιήσετε την κασέτα μπαταριών, διαβάστε όλες τις οδηγίες και σημειώσεις προφύλαξης (1) στον φορτιστή μπαταριών, (2) στην μπαταρία και (3) στο προϊόν που χρησιμοποιεί την μπαταρία.
2. Μην αποσυναρμολογήσετε τη κασέτα μπαταριών.
3. Εάν ο χρόνος λειτουργίας έχει γίνει υπερβολικά βραχύς, σταματήστε τη λειτουργία αμέσως. Αλλιώς, μπορεί να έχει ως αποτέλεσμα κίνδυνο υπερθέρμανσης, πιθανά εγκαύματα ή ακόμη και έκρηξη.
4. Εάν ηλεκτρολύτης μπει στα μάτια σας, ξεπλύνετε τα με καθαρό νερό και ζητήστε ιατρική φροντίδα αμέσως. Αλλιώς, μπορεί να έχει ως αποτέλεσμα απώλεια της όρασης σας.

5. Μην βραχυκυκλώνετε την κασέτα μπαταριών:
 - (1) Μην αγγίζετε τους πόλους με οτιδήποτε αγώγιμο υλικό.
 - (2) Αποφεύγετε να αποθηκεύετε την κασέτα μπαταριών μέσα σε ένα δοχείο μαζί με άλλα μεταλλικά αντικείμενα όπως καρφιά, νομίσματα, κλπ.
 - (3) Μην εκθέτετε την κασέτα μπαταριών στο νερό ή στη βροχή.Ένα βραχυκύκλωμα μπαταρίας μπορεί να προκαλέσει μεγάλη ροή ρεύματος, υπερθέρμανση, πιθανά εγκαύματα ακόμη και σοβαρή βλάβη.
6. Μην αποθηκεύετε το εργαλείο και την κασέτα μπαταριών σε τοποθεσίες όπου η θερμοκρασία μπορεί να φτάσει ή να ξεπεράσει τους 50°C.
7. Μην καίτε την κασέτα μπαταριών ακόμη και εάν έχει σοβαρή ζημιά ή είναι εντελώς φθαρμένη. Η κασέτα μπαταριών μπορεί να εκραγεί στη φωτιά.
8. Προσέχετε να μη ρίξετε κάτω ούτε να χτυπήσετε την μπαταρία.
9. Μην χρησιμοποιείτε μπαταρία που έχει υποστεί ζημια.
10. Οι μπαταρίες ιόντων λιθίου που περιέχονται υπόκεινται στις απαιτήσεις της νομοθεσίας για επικίνδυνα αγαθά.
Για εμπορικές μεταφορές, για παράδειγμα από τρίτα μέρη, πρέπει να τηρούνται οι διαμεταφορές, οι ειδικές απαιτήσεις στη συσκευασία και η επισήμανση. Για προετοιμασία του στοιχείου που αποστέλλεται, είναι απαραίτητο να συμβουλευτείτε έναν ειδικό για επικίνδυνα υλικά. Επίσης, τηρήστε τους πιθανούς, πιο αναλυτικούς εθνικούς κανονισμούς.
Καλύψτε με αυτοκόλλητη ταινία ή κρύψτε τις ανοικτές επαφές και συσκευάστε την μπαταρία με τρόπο που να μην μπορεί να μετακινείται μέσα στη συσκευασία.
11. Τηρήστε τους τοπικούς κανονισμούς που σχετίζονται με τη διάθεση της μπαταρίας.

ΦΥΛΑΞΤΕ ΤΙΣ ΟΔΗΓΙΕΣ ΑΥΤΕΣ.

▲ΠΡΟΣΟΧΗ: Να χρησιμοποιείτε μόνο γνήσιες μπαταρίες της Makita. Η χρήση μη γνήσιων μπαταριών Makita, ή μπαταριών που έχουν τροποποιηθεί, μπορεί να έχει ως αποτέλεσμα τη ρήξη της μπαταρίας, προκαλώντας πυρκαγιά, προσωπικό τραυματισμό και βλάβη. Επίσης, θα ακυρωθεί η εγγύηση της Makita για το εργαλείο και φορτιστή Makita.

Συμβουλές για τη διατήρηση της μέγιστης ζωής μπαταρίας

1. Φορτίστε την κασέτα μπαταριών πριν από την πλήρη αποφόρτιση της. Πάντοτε να σταματάτε τη λειτουργία του εργαλείου και να φορτίζετε την κασέτα μπαταριών όταν παρατηρείτε μειωμένη ισχύ εργαλείου.
2. Ποτέ μην επαναφορτίζετε μια πλήρως φορτισμένη κασέτα μπαταριών. Η υπερφόρτιση μειώνει την ωφέλιμη ζωή της μπαταρίας.
3. Να φορτίζετε την κασέτα μπαταριών σε θερμοκρασία δωματίου, δηλαδή στους 10°C έως 40°C. Αφήστε μια θερμή κασέτα μπαταριών να κρυώσει πριν την φορτίσετε.
4. Να φορτίζετε την κασέτα μπαταριών εάν δεν τη χρησιμοποιείτε για μεγάλη χρονική περίοδο (περισσότερο από έξι μήνες).

ΠΕΡΙΓΡΑΦΗ ΛΕΙΤΟΥΡΓΙΑΣ

▲ΠΡΟΣΟΧΗ: Να φροντίζετε πάντα για την απενεργοποίηση του εργαλείου και την αφαίρεση της κασέτας μπαταρίας, πριν από οποιαδήποτε ρύθμιση ή έλεγχο της λειτουργίας του.

Τοποθέτηση ή αφαίρεση της κασέτας μπαταριών

▲ΠΡΟΣΟΧΗ: Να σβήνετε πάντα το εργαλείο πριν τοποθετήσετε ή αφαιρέσετε την κασέτα μπαταριών.

▲ΠΡΟΣΟΧΗ: Κρατήστε το εργαλείο και την κασέτα μπαταριών σταθερά κατά την τοποθέτηση ή αφαίρεση της κασέτας μπαταριών. Εάν δεν κρατάτε το εργαλείο και την κασέτα μπαταριών σταθερά μπορεί να γλιστρήσουν από τα χέρια σας και να προκληθεί βλάβη στο εργαλείο και την κασέτα μπαταριών και προσωπικός τραυματισμός.

► **Εικ.1:** 1. Κόκκινη ένδειξη 2. Κομπτί 3. Κασέτα μπαταριών

Για να αφαιρέσετε την κασέτα μπαταριών, ολισθήστε την από το εργαλείο ενώ σύρετε το κομπτί στο μπροστινό μέρος της κασέτας.

Για να τοποθετήσετε την κασέτα μπαταριών, ευθυγραμμίστε τη γλώσσα στην κασέτα μπαταριών με την αύλακα στην υποδοχή και ολισθήστε τη στη θέση της. Να την τοποθετείτε πλήρως μέχρι να ασφαλίσει στη θέση της, γεγονός που υποδεικνύεται με ένα χαρακτηριστικό ήχο. Εάν μπορείτε να δείτε την κόκκινη ένδειξη στην επάνω πλευρά του κομπτιού, δεν έχει κλειδώσει τελείως.

▲ΠΡΟΣΟΧΗ: Να τοποθετείτε πάντα την κασέτα μπαταριών πλήρως μέχρι να μη βλέπτε την κόκκινη ένδειξη. Εάν δεν ασφαλιστεί, μπορεί να πέσει από το εργαλείο τυχαία, προκαλώντας σωματική βλάβη σε εσάς ή κάποιον άλλο γύρω σας.

▲ΠΡΟΣΟΧΗ: Μην τοποθετείτε την κασέτα μπαταριών με βία. Εάν η κασέτα δεν ολισθαίνει με ευκολία, τότε δεν έχει τοποθετηθεί κατάλληλα.

Εμφάνιση υπολειπόμενης χωρητικότητας μπαταρίας

Μόνο για κασέτες μπαταριών «B» στο τέλος του αριθμού μοντέλου

► **Εικ.2:** 1. Ενδεικτικές λυχνίες 2. Κομπτί ελέγχου

Πίστετε το κομπτί ελέγχου στην κασέτα μπαταριών για να υποδείξετε την υπολειπόμενη χωρητικότητα μπαταρίας. Οι ενδεικτικές λυχνίες ανάβουν για λίγα δευτερόλεπτα.

Ενδεικτικές λυχνίες			Υπολειπόμενη χωρητικότητα
■ Αναμμένες	□ Σβηστές	▲ Αναβοσβήνουν	
■ ■ ■ ■	□ □ □ □		75% έως 100%
■ ■ ■ ■	□ □ □ □	▲	50% έως 75%

Ενδεικτικές λυχνίες			Υπολειπόμενη χωρητικότητα
■ Αναμμένες	□ Σβηστές	▲ Αναβοσβήνουν	
■ ■ ■ ■	□ □ □ □		25% έως 50%
■ ■ ■ ■	□ □ □ □		0% έως 25%
▲	□ □ □ □		Φορτίστε την μπαταρία.
■ ■ ■ ■	□ □ □ □	▲	Μπορεί να προέκυψε δυσλειτουργία στην μπαταρία.
□ □ □ □	■ ■ ■ ■		

ΠΑΡΑΤΗΡΗΣΗ: Ανάλογα με τις συνθήκες χρήσης και τη θερμοκρασία περιβάλλοντος, η ένδειξη μπορεί να διαφέρει λίγο από την πραγματική χωρητικότητα.

Σύστημα προστασίας εργαλείου/ μπαταρίας

Το εργαλείο είναι εξοπλισμένο με σύστημα προστασίας εργαλείου/μπαταρίας. Αυτό το σύστημα αποκτάει αυτόματα την ισχύ προς το μοτέρ για να παραταθεί η διάρκεια λειτουργίας του εργαλείου και της μπαταρίας. Το εργαλείο σταματάει αυτόματα κατά τη διάρκεια της λειτουργίας εάν το εργαλείο ή η μπαταρία βρεθούν κάτω από τις παρακάτω συνθήκες:

Προστασία υπερφόρτωσης

Όταν η μπαταρία λειτουργεί με τρόπο ώστε να αναγκάζεται να καταναλώνει ασυνήθιστα υψηλό ρεύμα, το εργαλείο σταματάει αυτόματα χωρίς καμία ένδειξη. Σε αυτή την κατάσταση, σβήστε το εργαλείο και διακόψτε την εφαρμογή που προκαλεί την υπερφόρτωση του εργαλείου. Μετά, ενεργοποιήστε το εργαλείο για επανεκκίνηση.

Προστασία υπερθέρμανσης

Όταν το εργαλείο/μπαταρία υπερθερμαίνεται, το εργαλείο σταματάει αυτόματα. Σε αυτή την κατάσταση, αφήστε την μπαταρία να κρυώσει πριν ενεργοποιήσετε ξανά το εργαλείο.

Προστασία υπερβολικής αποφόρτισης

Όταν η φόρτιση μπαταρίας δεν είναι αρκετή, το εργαλείο σταματάει αυτόματα. Σε αυτή την περίπτωση, βγάλτε την μπαταρία από το εργαλείο και φορτίστε την μπαταρία.

ΠΑΡΑΤΗΡΗΣΗ: Η προστασία υπερφόρτωσης θα λειτουργεί μόνο με μπαταρίες με ένδειξη αστεριού.

► **Εικ.3:** 1. Ένδειξη αστεριού

Δράση διακόπτη

► **Εικ.4:** 1. Σκανδάλη διακόπτη

▲ΠΡΟΣΟΧΗ: Πριν βάλετε την κασέτα μπαταρίας μέσα στο εργαλείο, να ελέγχετε πάντα να δείτε αν η σκανδάλη διακόπτης ενεργοποιείται κανονικά και επιστρέφει στη θέση «OFF» όταν ελευθερώνεται.

Για να ξεκινήσετε το εργαλείο, απλώς τραβήξτε την σκανδάλη διακόπτη. Η ταχύτητα του εργαλείου αυξάνει αν αυξήσετε την πίεση στη σκανδάλη διακόπτη. Ελευθερώστε τη σκανδάλη διακόπτη για να σταματήσει.

Αναμμα της μπροστινής λάμπας

► **Εικ.5:** 1. Λάμπα

ΠΡΟΣΟΧΗ: Μην κοιτάζετε κατευθείαν μέσα στο φως ή στην πηγή φωτός.

Τραβήξτε τη σκανδάλη διακόπτη για να ενεργοποιήσετε τη λάμπα. Η λάμπα εξακολουθεί να είναι αναμμένη όσο τραβάτε τη σκανδάλη διακόπτη. Η λάμπα σβήνει περίπου 10 δευτερόλεπτα αφού αφήσετε τη σκανδάλη διακόπτη.

ΠΑΡΑΤΗΡΗΣΗ: Χρησιμοποιήστε ένα στεγνό πανί για να σκουπίσετε τη σκόνη από το φακό της λάμπας. Προσέχετε να μη γρατζουνίσετε το φακό της λάμπας, επειδή μπορεί να μειωθεί η ένταση του φωτισμού.

Δράση διακόπτη αντιστροφής

► **Εικ.6:** 1. Μοχλός διακόπτη αντιστροφής

ΠΡΟΣΟΧΗ: Να ελέγχετε πάντα τη διεύθυνση περιστροφής πριν από τη λειτουργία.

ΠΡΟΣΟΧΗ: Να χρησιμοποιείτε τον διακόπτη αντιστροφής μόνο αφού το εργαλείο σταματήσει εντελώς. Η αλλαγή της διεύθυνσης περιστροφής πριν σταματήσει το εργαλείο μπορεί να προκαλέσει ζημιά στο εργαλείο.

ΠΡΟΣΟΧΗ: Όταν δεν χρησιμοποιείτε το εργαλείο, να βάζετε πάντα το μοχλό διακόπτη αντιστροφής στην ουδέτερη θέση.

Αυτό το εργαλείο διαθέτει έναν διακόπτη αντιστροφής για να αλλάζετε τη διεύθυνση περιστροφής. Πιέστε το μοχλό διακόπτη αντιστροφής από την πλευρά Α για δεξιόστροφη περιστροφή ή από την πλευρά Β για αριστερόστροφη περιστροφή. Όταν ο μοχλός διακόπτη αντιστροφής είναι στην ουδέτερη θέση, η σκανδάλη διακόπτη δεν μπορεί να τραβηχθεί.

ΣΥΝΑΡΜΟΛΟΓΗΣΗ

ΠΡΟΣΟΧΗ: Να βεβαιώνετε πάντα ότι το εργαλείο είναι σβηστό και η κασέτα μπαταρίας έχει αφαιρεθεί πριν εκτελέσετε κάποια εργασία στο εργαλείο.

Τοποθέτηση ή αφαίρεση της μύτης βιδώματος/προέκτασης μύτης

► **Εικ.7**

Να χρησιμοποιείτε μόνο μύτες βιδώματος/προεκτάσεις μυτών που έχουν το τμήμα εισαγωγής που υποδεικνύεται στην εικόνα. Μη χρησιμοποιείτε οποιαδήποτε άλλη μύτη βιδώματος/προέκταση μύτης.

Για εργαλείο με ρηχή οπή μύτης βιδώματος

A=12 mm B=9 mm	Να χρησιμοποιείτε μύτες βιδώματος αυτού του τύπου μόνο. Ακολουθήστε τη διαδικασία 1. (Σημείωση) Δεν απαιτείται τεμάχιο μύτης.
-------------------	---

Για εργαλείο με βαθιά οπή μύτης βιδώματος

A=17 mm B=14 mm	Για την τοποθέτηση μυτών βιδώματος αυτού του τύπου, ακολουθήστε τη διαδικασία 1.
A=12 mm B=9 mm	Για την τοποθέτηση μυτών βιδώματος αυτού του τύπου, ακολουθήστε τη διαδικασία 2. (Σημείωση) Απαιτείται τεμάχιο μύτης για την τοποθέτηση της μύτης.

Διαδικασία 1

Για εργαλείο χωρίς χιτώνιο τύπου ενός αγγίματος

► **Εικ.8:** 1. Μύτη βιδώματος 2. Τσοκ

Για να τοποθετήσετε τη μύτη βιδώματος, τραβήξτε το τσοκ προς την κατεύθυνση του βέλους και εισαγάγετε τη μύτη βιδώματος στο τσοκ μέχρι τέρμα. Κατόπιν, αφήστε το τσοκ για να ασφαλίσετε τη μύτη βιδώματος.

Για εργαλείο με χιτώνιο τύπου ενός αγγίματος

Για να τοποθετήσετε τη μύτη βιδώματος, βάλτε τη μύτη βιδώματος μέσα στο χιτώνιο μέχρι τέρμα.

Διαδικασία 2

Εκτός από τη Διαδικασία 1, εισαγάγετε το τεμάχιο μύτης ώστε το αιχμηρό της άκρο να είναι στραμμένο προς τα μέσα.

► **Εικ.9:** 1. Μύτη βιδώματος 2. Τεμάχιο μύτης 3. Τσοκ

Για να βγάλετε τη μύτη βιδώματος, τραβήξτε το τσοκ προς την κατεύθυνση του βέλους και τραβήξτε τη μύτη βιδώματος προς τα έξω.

ΠΑΡΑΤΗΡΗΣΗ: Αν η μύτη βιδώματος δεν έχει εισαχθεί αρκετά βαθιά μέσα στο τσοκ, το τσοκ δεν θα επιστρέψει στην αρχική του θέση και η μύτη βιδώματος δεν θα ασφαλιστεί. Στην περίπτωση αυτή, προσπαθήστε να εισαγάγετε ξανά την μύτη σύμφωνα με τις παραπάνω οδηγίες.

ΠΑΡΑΤΗΡΗΣΗ: Όταν είναι δύσκολη η τοποθέτηση της μύτης βιδώματος, τραβήξτε το χιτώνιο και εισαγάγετε τη μύτη μέσα στο χιτώνιο μέχρι τέρμα.

ΠΑΡΑΤΗΡΗΣΗ: Αφού τοποθετήσετε τη μύτη βιδώματος, βεβαιωθείτε ότι είναι καλά ασφαλισμένη. Αν όμως βγει έξω, μην τη χρησιμοποιήσετε.

Τοποθέτηση γάντζου

► **Εικ.10:** 1. Αυλάκωση 2. Γάντζος 3. Βίδα

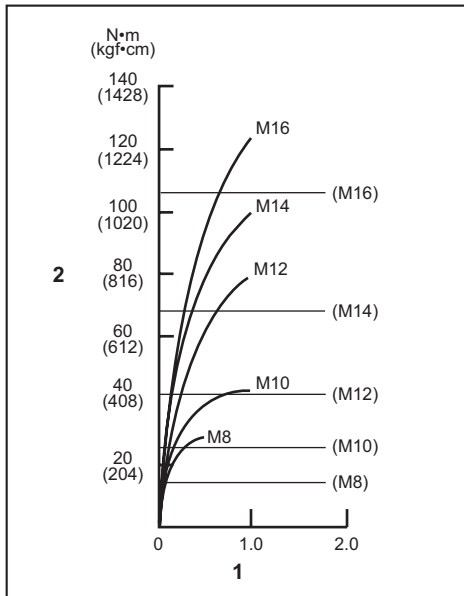
Ο γάντζος είναι βολικός για προσωρινό κρέμασμα του εργαλείου. Μπορεί να τοποθετηθεί σε οποιαδήποτε πλευρά του εργαλείου. Για να τοποθετήσετε το γάντζο, βάλτε τον σε μια αυλάκωση στο περίβλημα του εργαλείου σε οποιαδήποτε πλευρά και μετά ασφαλίστε τον με μια βίδα. Για να τον αφαιρέσετε, χαλαρώστε τη βίδα και μετά αφαιρέστε τον.

ΛΕΙΤΟΥΡΓΙΑ

► **Εικ.11**

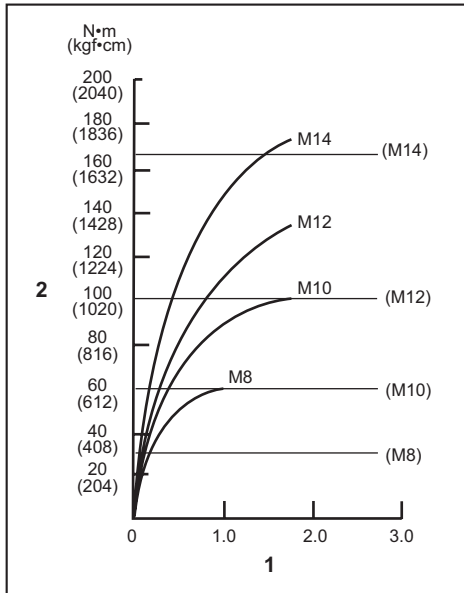
Η σωστή ροπή στερέωσης μπορεί να διαφέρει ανάλογα από το είδος ή το μέγεθος της βίδας/μπουλουνιού, το υλικό του τεμαχίου εργασίας προς στερέωση, κλπ. Η σχέση μεταξύ ροπής στερέωσης και χρόνου στερέωσης φαίνεται στις εικόνες.

Σωστή ροπή στερέωσης για κανονικό μπουλόνι



1. Χρόνος στερέωσης (δευτερόλεπτα) 2. Ροπή στερέωσης

Σωστή ροπή στερέωσης για μπουλόνι υψηλού εφελκυσμού



1. Χρόνος στερέωσης (δευτερόλεπτα) 2. Ροπή στερέωσης

Κρατήστε το εργαλείο σταθερά και βάλτε την άκρη της μύτες βιδώματος στην κεφαλή της βίδας. Εφαρμόστε πίεση προς τα εμπρός στο εργαλείο έτσι ώστε η μύτη να μην ξεφύγει από τη βίδα και ανάψτε το εργαλείο για να αρχίσει η εργασία.

ΕΙΔΟΠΟΙΗΣΗ: Αν χρησιμοποιείτε εφεδρική μπαταρία για να συνεχίσετε τη λειτουργία, αφήστε το εργαλείο εκτός λειτουργίας για τουλάχιστον 15 λεπτά.

ΠΑΡΑΤΗΡΗΣΗ: Να χρησιμοποιείτε την κατάλληλη μύτη για την κεφαλή βίδας/μπουλονιού που επιθυμείτε να χρησιμοποιήσετε.

ΠΑΡΑΤΗΡΗΣΗ: Όταν στερεώνετε μια βίδα M8 ή μικρότερη, ρυθμίστε προσεκτικά την πίεση στη σκανδάλη διακόπτη έτσι ώστε να μην πάθει ζημιά η βίδα.

ΠΑΡΑΤΗΡΗΣΗ: Κρατήστε το εργαλείο στραμμένο ίσια προς τη βίδα.

ΠΑΡΑΤΗΡΗΣΗ: Αν η κρουστική δύναμη είναι πολύ ισχυρή ή αν σφίξετε τη βίδα για μεγαλύτερο χρονικό διάστημα από αυτό που απεικονίζεται στις εικόνες, η βίδα ή το άκρο της μύτες βιδώματος μπορεί να υποστεί υπέρταση, αποφλοίωση, ζημιά, κτλ. Πριν αρχίσετε την εργασία σας, να εκτελείτε πάντα μια δοκιμαστική λειτουργία για να καθορίσετε τον κατάλληλο χρόνο στερέωσης για τη βίδα σας.

Η ροπή στερέωσης επηρεάζεται από μια μεγάλη ποικιλία παραγόντων που περιλαμβάνουν και τα ακόλουθα. Μετά τη στερέωση, να ελέγχετε πάντα τη ροπή με ένα ροποκλειδο.

1. Όταν η κασέτα μπαταρίας έχει εκφορτιστεί σχεδόν εντελώς, η τάση θα πέσει και η ροπή στερέωσης θα μειωθεί.
2. Μύτη βιδώματος ή προέκταση μύτες
Αν αμελήσετε να χρησιμοποιήσετε το σωστό μέγεθος μύτες βιδώματος ή προέκτασης μύτες, θα προκληθεί μια μείωση στη ροπή στερέωσης.
3. Μπουλόνι
 - Ακόμη κι αν ο συντελεστής ροπής και η κατηγορία μπουλονιού είναι τα ίδια, η σωστή ροπή στερέωσης θα διαφέρει ανάλογα με τη διάμετρο του μπουλονιού.
 - Ακόμη κι αν οι διάμετροι των μπουλονιών είναι οι ίδιες, η σωστή ροπή στερέωσης θα διαφέρει ανάλογα με τον συντελεστή ροπής, την κατηγορία του μπουλονιού και το μήκος του μπουλονιού.
4. Ο τρόπος κρατήματος του εργαλείου ή το υλικό της προς στερέωση θέσης βιδώματος θα επηρεάσει τη ροπή.
5. Η λειτουργία του εργαλείου σε χαμηλή ταχύτητα θα προκαλέσει μείωση της ροπής στερέωσης.

ΣΥΝΤΗΡΗΣΗ

⚠ ΠΡΟΣΟΧΗ: Πριν την εκτέλεση εργασιών επιθεώρησης ή συντήρησης, πάντοτε να βεβαιώνετε ότι η συσκευή απενεργοποιήθηκε και η κασέτα μπαταριών έχει αφαιρεθεί.

ΕΙΔΟΠΟΙΗΣΗ: Μην χρησιμοποιείτε ποτέ βενζίνη, πετρελαϊκό αιθέρα, διαλυτικό, αλκοόλη ή παρόμοιες ουσίες. Μπορεί να προκληθεί αποχρωματισμός, παραμόρφωση ή ρωγμές.

Για τη διατήρηση της ΑΣΦΑΛΕΙΑΣ και ΑΞΙΟΠΙΣΤΙΑΣ του προϊόντος, οι επισκευές και οποιαδήποτε άλλη εργασία συντήρησης ή ρύθμισης πρέπει να εκτελούνται από εξουσιοδοτημένα ή εργοστασιακά κέντρα εξυπηρέτησης της Makita, χρησιμοποιώντας πάντοτε ανταλλακτικά της Makita.

ΠΡΟΑΙΡΕΤΙΚΑ ΕΞΑΡΤΗΜΑΤΑ

⚠ ΠΡΟΣΟΧΗ: Αυτά τα εξαρτήματα ή προσαρτήματα συνιστώνται για χρήση με το εργαλείο Makita που περιγράφηκε στις οδηγίες αυτές. Η χρήση οποιωνδήποτε άλλων εξαρτημάτων ή προσαρτημάτων μπορεί να προκαλέσει κίνδυνο τραυματισμού σε άτομα. Να χρησιμοποιείτε τα εξαρτήματα ή προσαρτήματα μόνο για την χρήση που προορίζονται.

Εάν χρειάζεστε οποιαδήποτε βοήθεια για περισσότερες πληροφορίες σε σχέση με αυτά τα εξαρτήματα, αποταθείτε στο τοπικό σας κέντρο εξυπηρέτησης Makita.

- Μύτες βιδώματος
- Προεκτάσεις μυτών
- Τεμάχιο μύτης
- Γάντζος
- Πλαστική θήκη μεταφοράς
- Προστατευτικό μπαταρίας
- Κρεμάστρα εργαλείου
- Γνήσια μπαταρία και φορτιστής της Makita

ΠΑΡΑΤΗΡΗΣΗ: Μερικά στοιχεία στη λίστα μπορεί να συμπεριλαμβάνονται στη συσκευασία εργαλείου ως στάνταρ εξαρτήματα. Μπορεί να διαφέρουν ανάλογα με τη χώρα.

TEKNİK ÖZELLİKLER

Model:		DTD153
Sıkıştırma kapasiteleri	Makine vidası	4 mm - 8 mm
	Standart civata	5 mm - 16 mm
	Dayanıklılık civata	5 mm - 14 mm
Yüksüz hız	0 - 3.400 min ⁻¹	
Dakikadaki darbe sayısı	0 - 3.600 min ⁻¹	
Toplam uzunluk	126 mm	
Anma voltajı	D.C. 18 V	
Batarya kartuşu	BL1815, BL1815N, BL1820, BL1820B	BL1830, BL1830B, BL1840, BL1840B, BL1850, BL1850B, BL1860B
Net ağırlık	1,3 kg	1,5 kg

- Sürekli yapılan araştırma ve geliştirmelerden dolayı, burada belirtilen özellikler önceden bildirilmeksizin değiştirilebilir.
- Özellikler ve batarya kartuşu ülkeden ülkeye değişebilir.
- EPTA-Prosedürü 01/2003 uyarınca batarya kartuşu ile birlikte ağırlık

Kullanım amacı

Bu alet ahşap, metal ve plastik malzemede vidalama işlemleri için tasarlanmıştır.

Gürültü

Tipik A-ağırlıklı gürültü düzeyi (EN60745 standardına göre belirlenen):

Ses basınç seviyesi (L_{PA}): 96 dB (A)

Ses gücü düzeyi (L_{WA}): 107 dB (A)

Belirsizlik (K): 3 dB (A)

UYARI: Kulak koruyucuları takın.

Titreşim

Titreşim toplam değeri (üç eksenli vektör toplamı) (EN60745 standardına göre hesaplanan):

Çalışma modu: aletin maksimum kapasitesiyle tespit

malzemelerinin darbeli sıklığına

Titreşim emisyonu (a_n): 13,0 m/s²

Belirsizlik (K) : 1,5 m/s²

NOT: Beyan edilen titreşim emisyon değeri standart test yöntemine uygun şekilde ölçülmüştür ve bir aleti bir başkasıyla karşılaştırmak için kullanılabilir.

NOT: Beyan edilen titreşim emisyon değeri bir ön maruz kalma değerlendirmesi olarak da kullanılabilir.

UYARI: Bu elektrikli aletin gerçek kullanımı sırasındaki titreşim emisyonu aletin kullanım biçimlerine bağlı olarak beyan edilen emisyon değerinden farklı olabilir.

UYARI: Gerçek kullanım koşullarındaki maruz kalmanın bir tahmini hesaplaması temelinde operatörü koruyacak güvenlik önlemlerini mutlaka belirleyin (çalışma döngüsü içerisinde aletin kapalı olduğu ve aktif durumda olmasının yanı sıra boşta çalıştığı zamanlar gibi, bütün zaman dilimleri göz önünde bulundurularak değerlendirilmelidir).

EC Uygunluk Beyanı

Sadece Avrupa ülkeleri için

EC uygunluk beyanı bu kullanım kılavuzuna Ek A olarak eklenmiştir.

GÜVENLİK UYARILARI

Genel elektrikli alet güvenliği uyarıları

UYARI: Tüm güvenlik uyarılarını ve tüm talimatları okuyun. Uyarılara ve talimatlara uyulmaması elektrik şoku, yangın ve/veya ciddi yaralanmalar ile sonuçlanabilir.

Tüm uyarıları ve talimatları ile-ride başvurmak için saklayın.

Uyarılardaki "elektrikli alet" terimi ile ya prizden çalışan (kordonlu) elektrikli aletiniz ya da kendi aküsü ile çalışan (kordonsuz) elektrikli aletiniz kastedilmektedir.

Akülü darbeli tornavida için güvenlik uyarıları

1. Sıkma aletinin görünmeyen kablolarına temas etme olasılığı bulunan yerlerde çalışırken elektrikli aletleri yalıtımlı kavrama yüzeylerinden tutun. Sıkma aletlerinin "akımlı" bir telle temas etmesi elektrikli aletin yalıtımsız metal kısımlarını "akımlı" hale getirebilir ve kullanıcıyı elektrik şokuna maruz bırakabilir.
2. Her zaman yere sağlam basın. Makineyi yüksekte kullandığınızda, altında kimsenin olmadığından emin olun.
3. Makineyi iki elinizle sıkıca tutun.
4. Kulak koruyucularını takın.
5. İşlemin hemen ardından uca ya da iş parçasına dokunmayın. Bu parçalar aşırı derecede sıcak olabilir ve cilt yanıklarına yol açabilir.
6. Ellerinizi dönen parçalardan uzak tutun.

BU TALİMATLARI SAKLAYIN.

⚠UYARI: Ürünü kullanırken (defalarca kullanınca kazanılan) rahatlık ve tanıdıklık duygusunu ilgili ürünün güvenlik kurallarına sıkı sıkıya bağlı kalmanın yerine geçmesine İZİN VERMEYİN.

YANLIŞ KULLANIM veya bu kullanma kılavuzunda belirtilen emniyet kurallarına uymama ciddi yaralanmaya neden olabilir.

Batarya kartuşu hakkında önemli güvenlik talimatları

1. Batarya kartuşunu kullanmadan önce, tüm talimatları ve (1) batarya kartuşu, (2) batarya ve (3) ürün üzerindeki tüm uyarı işaretlerini okuyun.
2. Batarya kartuşunu demonte etmeyin.
3. Çalışma süresi aşırı derecede kısalmışsa kullanmayı derhal bırakın. Aşırı ısınma, yanma riski hatta patlamaya neden olabilir.
4. Gözünüze elektrolit kaçarsa, gözlerinizi temiz suyla durulayın ve hemen tıbbi yardım alın. Görme kaybına yol açabilir.
5. Batarya kartuşuna kısa devre yaptırmayın:
 - (1) Terminallere herhangi bir iletken madde deşdirmeyin.
 - (2) Batarya kartuşunu çiviler, madeni paralar, vb. gibi başka metal nesnelere aynı kaba koymaktan kaçının.
 - (3) Batarya kartuşunu yağmura ya da suya maruz bırakmayın.Kısa devre, büyük bir akım akışına, aşırı ısınmaya, olası yanıklara hatta bataryanın bozulmasına yol açabilir.
6. Aleti ve batarya kartuşunu sıcaklığın 50°C ya da daha yükseğe ulaştığı yerlerde saklamayın.
7. Aşırı derecede hasar görmüş ya da tamamen kullanılamaz durumda olsa bile batarya kartuşunu yakmayın. Batarya kartuşu ateşe atılırsa patlayabilir.
8. Bataryayı düşürmemeye ve çarpmamaya dikkat edin.
9. Hasarlı bataryayı kullanmayın.

10. Aletin içerdığı lityum-iyon bataryalar Tehlikeli Eşyalar Yönetmeliğinin gereksinimlerine tabidir. Ticari nakliye işlemleri için, örneğin üçüncü taraflar, nakliye acenteleri tarafından yapılan nakliyelerde, paketleme ve etiketleme gereksinimlerine uyulmalıdır. Nakliyesi yapılacak ürünün hazırlanması için, tehlikeli maddeler konusunda uzman bir kişiye danışın. Lütfen muhtemelen daha ayrıntılı olan ulusal yönetmeliklere de uyun. Açık kontakları bantlayın ya da maskeleyin ve bataryayı paketin içinde hareket etmeyecek şekilde paketleyin.
11. Bataryanın elden çıkarılması ile ilgili yerel düzenlemelere uyunuz.

BU TALİMATLARI MUHAFAZA EDİNİZ.

⚠DİKKAT: Sadece orijinal Makita bataryalarını kullanın. Orijinal olmayan Makita bataryaları ya da üzerine deęişiklik yapılmış bataryaların kullanımı bataryanın patlamasına ve sonuç olarak yangın, kişisel yaralanma ve hasara neden olabilir. Ayrıca Makita aleti ve şarj aletinin Makita tarafından sunulan garantisi de geçersiz olur.

Maksimum batarya ömrü için ipuçları

1. Batarya kartuşunu tamamen boşalmadan önce şarj edin. Aletin gücünün zayıflamaya başladığını fark ettiğinizde aleti durdurun ve batarya kartuşunu şarj edin.
2. Tam dolu bir batarya kartuşunu asla yeniden şarj etmeyin. Aşırı şarj etme bataryanın hizmet ömrünü kısaltır.
3. Batarya kartuşunu 10°C - 40°C oda sıcaklığında şarj edin. Sıcak bir batarya kartuşunu şarj etmeden önce soğumasını bekleyin.
4. Uzun bir süre (altı aydan daha fazla) kullanmadığınız durumlarda batarya kartuşunu şarj edin.

İŞLEVSEL NİTELİKLER

⚠DİKKAT: Alet üzerinde ayarlama veya işleyiş kontrolü yapmadan önce aletin kapalı ve batarya kartuşunun ayrılmış olduğundan daima emin olun.

Batarya kartuşunun takılması ve çıkarılması

⚠DİKKAT: Batarya kartuşunu takmadan ya da çıkarmadan önce aleti daima kapatın.

⚠DİKKAT: Batarya kartuşunu takarken veya çıkarırken aleti ve batarya kartuşunu sıkıca tutun. Aletin ve batarya kartuşunun sıkıca tutulmaması bunların düşürülmesine sebep olabilir ve alet ve batarya kartuşunun zarar görmesine ya da ciddi yaralanmasına yol açabilir.

- **Şek.1:** 1. Kırmızı gösterge 2. Düğme 3. Batarya kartuşu

Batarya kartuşunu çıkarmak için, kartuşun ön tarafındaki dili yuvanın çentiği ile hizalayın ve yerine oturtun.

Batarya kartuşunu takmak için, batarya kartuşu üzerindeki dili yuvanın çentiği ile hizalayın ve yerine oturtun. Hafif bir tık sesi duyulana kadar itip yerine tam oturtmasını sağlayın. Düğmenin üst tarafındaki kırmızı gösterge görünüyorsa tam yerine kilitlenmemiş demektir.

⚠DİKKAT: Batarya kartuşunu daima kırmızı gösterge görünmeyecek şekilde tam olarak takın. Yerine tam oturmazsa, aletten yanlışlıkla düşebilir, sizin ya da çevrenizdeki kişilerin yaralanmasına neden olabilir.

⚠DİKKAT: Batarya kartuşunu zorlayarak takmayın. Kartuş kolay bir şekilde kaymıyorsa doğru yerleştirilmemiş demektir.

Kalan batarya kapasitesinin gösterilmesi

Sadece model numarasının sonunda “B” yazan batarya kartuşları için

- **Şek.2:** 1. Gösterge lambaları 2. Kontrol düğmesi

Kalan batarya kapasitesini göstermesi için batarya kartuşu üzerindeki kontrol düğmesine basın. Gösterge lambaları birkaç saniye yanar.

Gösterge lambaları			Kalan kapasite
Yanıyor	Kapalı	Yanıp söniyor	
■	□	◐	%75 ila %100
■ ■ ■ ■			
■ ■ ■ □			%50 ila %75
■ ■ □ □			%25 ila %50
■ □ □ □			%0 ila %25
◐ □ □ □			Bataryayı şarj edin.
■ ■ □ □			Batarya arızalanmış olabilir.
□ □ ■ ■			

NOT: Kullanım koşullarına ve ortam sıcaklığına bağlı olarak, gösterilen değer gerçek kapasiteden biraz farklılık gösterebilir.

Alet/batarya koruma sistemi

Bu alet bir alet/batarya koruma sistemi ile donatılmıştır. Bu sistem motora giden gücü otomatik olarak keserek uzun alet ve batarya ömrü sağlar. Alet veya batarya için aşağıdaki durumlardan biri söz konusu olduğunda aletin işleyişi otomatik olarak durur:

Aşırı yük koruması

Batarya, anormal derecede yüksek akım çekmesine neden olacak şekilde kullanıldığında, alet hiçbir belirti vermeden otomatik olarak durur. Bu durumda, aleti kapatın ve aletin aşırı yüklenmesine neden olan uygulamayı durdurun. Daha sonra aleti yeniden başlaması için çalıştırın.

Aşırı ısınma koruması

Alet/batarya aşırı ısındığında, alet otomatik olarak durur. Bu durumda, aleti yeniden çalıştırmadan önce bataryanın soğumasını bekleyin.

Aşırı deşarj koruması

Batarya kapasitesi yeterli olmadığında, alet otomatik olarak durur. Bu durumda, bataryayı aletten çıkarın ve bataryayı tekrar şarj edin.

NOT: Aşırı yüklenme koruması, sadece yıldız işaretli bataryalarla çalışır.

- **Şek.3:** 1. Yıldız işareti

Anahtar işlemi

- **Şek.4:** 1. Anahtar tetik

⚠DİKKAT: Batarya kartuşunu alete takmadan önce anahtar tetiğinin doğru çalıştığından ve bırakıldığında “OFF” (kapalı) konumuna döndüğünden emin olun.

Aleti çalıştırmak için, sadece anahtar tetiği çekin. Aletin çalışma hızı anahtar tetik üstüne daha fazla baskı yapılarak artırılır. Durdurmak için anahtar tetiği serbest bırakın.

Ön lambanın yakılması

- **Şek.5:** 1. Lamba

⚠DİKKAT: Işığa bakmayın ya da ışık kaynağını doğrudan görmeyin.

Lambayı yakmak için anahtar tetiği çekin. Anahtar tetik çekilirken lamba yanmaya devam eder. Anahtar tetik serbest bırakıldıktan yaklaşık 10 saniye sonra lamba söner.

NOT: Lamba lensini temizlemek için kuru bir bez kullanın. Aydınlatmayı azaltacağı için lamba lensinin çizilmemesine dikkat edin.

Ters dönüş mandalı işlemi

- **Şek.6:** 1. Ters dönüş mandalı anahtarı

⚠DİKKAT: Kullanmadan önce dönüş yönünü daima kontrol edin.

⚠DİKKAT: Ters döndürme anahtarını sadece alet tamamen durduktan sonra kullanın. Dönüş yönünün alet durmadan önce değiştirilmesi alete zarar verebilir.

⚠DİKKAT: Aleti kullanmadığınız zaman, ters döndürme anahtarını daima nötr konumuna ayarlayın.

Bu aletin dönüş yönünü değiştirmek için bir ters döndürme anahtarı vardır. Ters döndürme anahtarına saat yönünde dönüş için A tarafından tersi yönde dönüş içinse B tarafından bastırın.
Ters döndürme anahtarı nötr konumundayken tetik anahtar çekilemez.

MONTAJ

⚠ DİKKAT: Alet üzerinde herhangi bir iş yapmadan önce aletin kapalı ve batarya kartuşunun ayrılmış olduğundan daima emin olun.

Tornavida ucunun/lokma ucunun takılması ya da çıkarılması

► Şek.7

Sadece şekilde gösterilen takma kısımları olan tornavida ucunu/lokma ucunu kullanın. Başka herhangi bir tornavida/lokma ucu kullanmayın.

Tornavida ucu takma deliği siğ olan alet için

A=12 mm B=9 mm	Sadece bu tip tornavida uçlarını kullanın. 1 no.lu prosedürü izleyin. (Not) Uç eki gerekli değildir.
-------------------	--

Tornavida ucu takma deliği derin olan alet için

A=17 mm B=14 mm	Bu tür uçları takmak için 1 no.lu prosedürü kullanın.
A=12 mm B=9 mm	Bu tür uçları takmak için 2 no.lu prosedürü kullanın. (Not) Ucu takmak için uç eki gereklidir.

1 No.lu Prosedür

Tek dokunuş tipi manşonu olmayan aletler için

► Şek.8: 1. Tornavida ucu 2. Kovana

Tornavida ucunu takmak için, kovani ok yönünde çekin ve tornavida ucunu girebildiği kadar kovana geçirin. Sonra tornavida ucunu sabitlemek için kovani serbest bırakın.

Tek dokunuş tipi manşonlu aletler için

Tornavida ucunu takmak için, ucu manşon içinde gidebileceği kadar ileri yerleştirin.

2 No.lu Prosedür

Yukarıda belirtilen **1 no.lu prosedüre** ek olarak, uç ekini sivri ucu içeri bakacak şekilde manşona yerleştirin.

► Şek.9: 1. Tornavida ucu 2. Uç eki 3. Kovana

Ucu çıkarmak için, kovani ok yönünde çekin ve tornavida ucunu dışarı çekin.

NOT: Eğer tornavida ucu kovanın içine yeterince derin sokulmazsa kovana orijinal konumuna dönmez ve uç sabitlenmez. Bu durumda, ucu yukarıdaki talimatlara göre yeniden takmaya çalışın.

NOT: Tornavida ucunu takmak zor olduğunda, manşonu çekin ve ucu manşon içinde gidebileceği kadar ileri yerleştirin.

NOT: Tornavida ucunu taktıktan sonra, sıkı şekilde sabitlendiğinden emin olun. Eğer dışarı çıkıyorsa, ucu kullanmayın.

Kancanın takılması

► Şek.10: 1. Oluk 2. Kanca 3. Vida

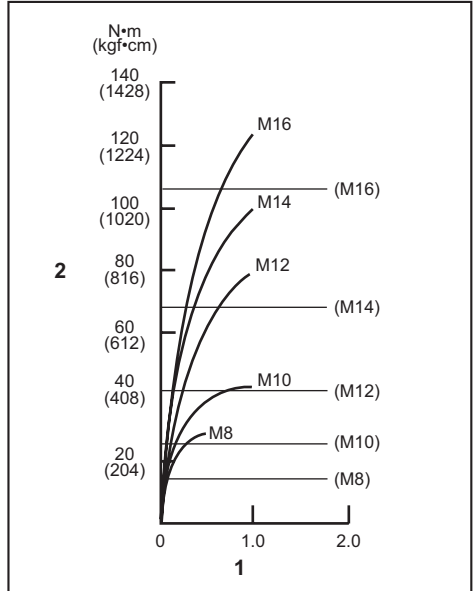
Kanca aletin geçici bir süre asılmasına yarar. Bu kanca aletin her iki yanına da takılabilir. Kancayı takmak için, onu alet gövdesinin her iki yanındaki oluklardan birine geçirin ve sonra bir vida ile sabitleyin. Çıkarmak için, vidayı gevşetin ve sonra dışarı çekip alın.

KULLANIM

► Şek.11

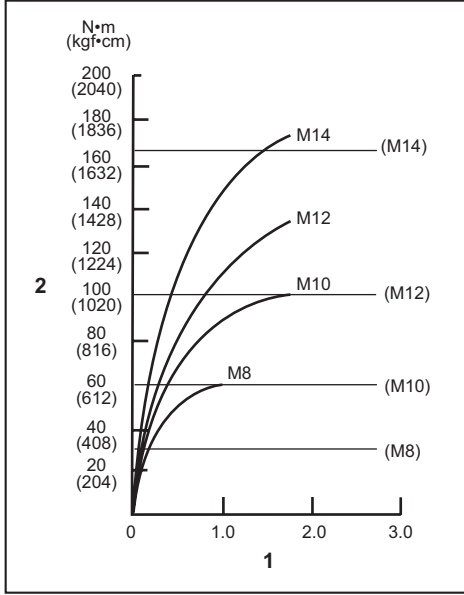
Doğru sıkma torku vidanın/cıvatanın, sıkılacak iş parçasının malzemesinin, vs. boyutuna veya tipine göre değişebilir. Sıkma torku ve sıkma süresi arasındaki ilişki şekillerde gösterilmektedir.

Standart cıvata için doğru sıkma torku



1. Sıkma süresi (saniye) 2. Sıkma torku

Yüksek germe cıvatası için doğru sıkma torku



1. Sıkma süresi (saniye) 2. Sıkma torku

Aleti sıkıca tutun ve tornavida ucunu vida başına geçirin. Alete, ileriye doğru, ucun vida üzerinden kaymayacağı kadar bir baskı uygulayın ve işlemi başlatmak için aleti çalıştırın.

ÖNEMLİ NOT: İşleme devam etmek için bir yedek batarya kullanıyorsanız, aletin en az 15 dakika dinlenmesini sağlayın.

NOT: Sıkıştırmak istediğiniz vidanın/cıvatanın başına uygun olan ucu kullanın.

NOT: M8 veya daha küçük vidaları sıkarken, vidanın zarar görmemesi için anahtar tetiğe uyguladığınız basıncı dikkatli bir şekilde ayarlayın.

NOT: Aleti tam olarak vidanın üzerine gelecek şekilde tutun.

NOT: Darbe gücü çok güçlü ise ya da vidayı şekillerde belirtilenden daha uzun bir süre sıkıştırırsanız, vida veya matkap ucu aşırı gerilime maruz kalabilir, soyulabilir veya hasar görebilir v.s. İşe başlamadan önce, vidanız için uygun sıkıştırma süresini belirlemek amacıyla mutlaka bir test çalışması yapın.

Sıkma torku aşağıdakiler dahil çok çeşitli faktörlerden etkilenir. Sıkmadan sonra daima bir tork anahtarı ile torku kontrol edin.

1. Batarya kartuşu tam boşalmaya yakıncan voltaj düşer ve sıkma torku azalır.
2. Tornavida ucu veya lokma ucu
Doğru boyda tornavida ya da lokma ucu kullanılmaması sıkma torkunda bir azalmaya neden olur.
3. Cıvata
 - Tork katsayısı ve cıvata sınıfı aynı olsa da, uygun sıkma torku cıvatanın çapına göre farklılık gösterecektir.
 - Cıvata çapları aynı olsa da, uygun sıkma torku tork katsayısı, cıvata sınıfı ve cıvata uzunluğuna göre farklılık gösterecektir.

4. Aletin ya da bağlanacak malzemenin vidalama pozisyonunda tutulma biçimi torku etkiler.
5. Aletin düşük hızda çalıştırılması sıkma torkunda bir azalmaya neden olur.

BAKIM

⚠DİKKAT: Muayene ya da bakım yapmadan önce aletin kapalı ve batarya kartuşunun çıkartılmış olduğundan daima emin olun.

ÖNEMLİ NOT: Benzin, tiner, alkol ve benzeri maddeleri kesinlikle kullanmayın. Renk değişimi, deformasyonu veya çatlaklar oluşabilir.

Aleti EMNİYETLİ ve ÇALIŞMAYA HAZIR durumda tutmak için onarımlar, başka her türlü bakım ve ayarlamalar daima Makita yedek parçaları kullanılarak Makita yetkili servis merkezleri veya Fabrikanın Servis Merkezleri tarafından yapılmalıdır.

İSTEĞE BAĞLI AKSESUARLAR

⚠DİKKAT: Bu aksesuarlar ve ek parçalar bu el kitabında belirtilen Makita aletiniz ile kullanılmak için tavsiye edilmektedir. Herhangi başka bir aksesuar ya da ek parça kullanılması insanlar için bir yaralanma riski getirebilir. Aksesuarları ya da ek parçaları yalnızca belirtilmiş olan kullanım amaçlarına uygun olarak kullanın.

Bu aksesuarlarla ilgili daha fazla bilgiye ihtiyaç duyarıyorsanız bulunduğunuz yerdeki yetkili Makita servisine başvurun.

- Tornavida uçları
- Lokma uçları
- Uç eki
- Kanca
- Plastik taşıma çantası
- Batarya koruyucu
- Alet askısı
- Orijinal Makita batarya ve şarj aleti

NOT: Listedeki parçaların bazıları alet paketi içerisinde standart aksesuar olarak dahil edilmiş olabilir. Bunlar ülkeden ülkeye farklılık gösterebilir.

Makita Europe N.V. Jan-Baptist Vinkstraat 2,
3070 Kortenberg, Belgium

Makita Corporation 3-11-8, Sumiyoshi-cho,
Anjo, Aichi 446-8502 Japan

www.makita.com

885505-996
EN, FR, DE, IT, NL,
ES, PT, DA, EL, TR
20160324