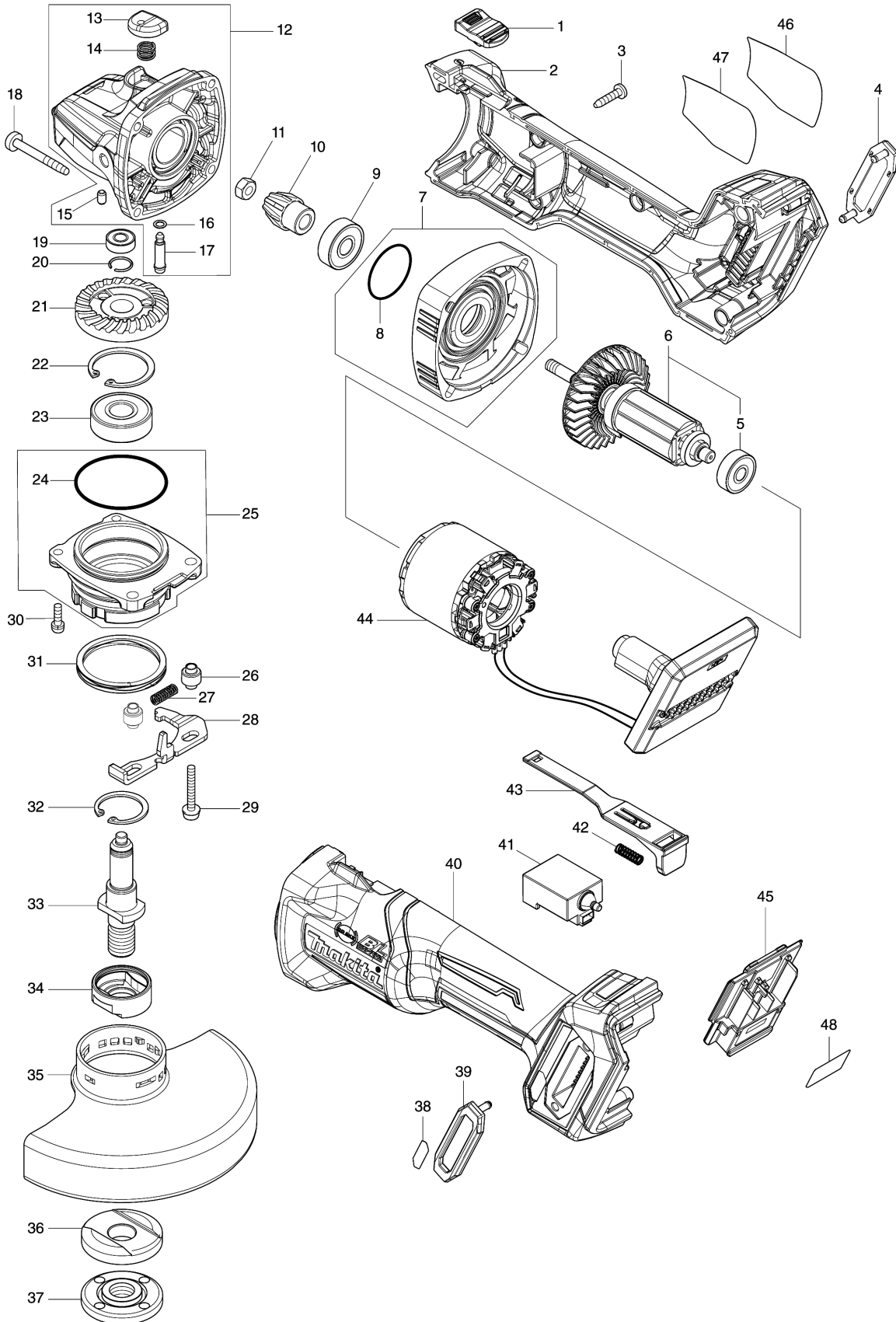


Model No.GA005G 125MM CORDLESS ANGLE GRINDER



Model No.GA005G 125MM CORDLESS ANGLE GRINDER

Item	Parts No.	Description	I/C	Qty	New/Old	Opt. 1	Opt. 2	Note
001	455447-7	SWITCH KNOB		1				
002	183N63-6	MOTOR HOUSING SET		1				
C10	263005-3	RUBBER PIN 6		2				
D10		INC. 40						
003	266326-2	TAPPING SCREW 4X18		5				
004	422563-0	DUST COVER		1				
005	210023-2	BALL BEARING 627DDW		1				
006	519595-7	ROTOR ASS'Y		1				
D10		INC. 5						
007	136190-4	GEAR HOUSING COVER ASS'Y		1				
D10		INC. 8						
008	213445-5	O-RING 26		1				
009	210042-8	BALL BEARING 629LLB		1				
010	226976-5	SPIRAL BEVEL GEAR 10		1				
011	252186-8	HEX. NUT M6		1				
012	136198-8	GEAR HOUSING ASS'Y		1				
D10		INC. 13-17						
013	412234-7	PIN CAP		1				
014	233072-2	COMPRESSION SPRING 8		1				
015	263002-9	RUBBER PIN 4		1				
016	213960-9	O RING 5		1				
017	256546-6	SHOULDER PIN 4		1				
018	266048-4	TAPPING SCREW 4X40		4				
019	210033-9	BALL BEARING 696ZZ		1				
020	233950-6	RING SPRING 11		1				
021	226862-0	SPIRAL BEVEL GEAR 37		1				
022	962151-6	RETAINING RING R-32		1				
023	211129-9	BALL BEARING 6201DDW		1				
024	213622-9	O RING 45		1				
025	136197-0	BEARING BOX ASS'Y		1	*			
D10		INC. 24			*			
025-1	136262-5	BEARING BOX ASS'Y	<	1				
C10	213510-0	O RING 36		1				
D10		INC. 24,31						
026	327322-6	SLEEVE 4		2				
027	232490-1	COMPRESSION SPRING 4		1				
028	347641-4	LEVER B		1				
029	911159-7	PAN HEAD SCREW M4X30		2				
030	911138-5	P.H.SCREW M4X20 WITH WR		2				
031	232542-8	SCROW WAVE SPRING 41		1				
032	962105-3	RETAINING RING R-26		1				
033	326672-6	SPINDLE		1				

Please order the parts with part number.

Print Date 22/6/2020

Model No.GA005G 125MM CORDLESS ANGLE GRINDER

Item	Parts No.	Description	I/C	Qty	New/Old	Opt. 1	Opt. 2	Note
034	310514-4	LEAD FLANGE		1				
035	347480-2	WHEEL COVER 125		1				
036	224447-6	INNER FLANGE 42B		1				
037	224554-5	LOCK NUT 14-45		1				
038	8007R2-2	XGT LOGO LABEL		1				
039	422563-0	DUST COVER		1				
040	183N63-6	MOTOR HOUSING SET		1				
C10	263005-3	RUBBER PIN 6		2				
D10		INC. 2						
041	651445-1	SWITCH FPM-1130		1				
042	233121-5	COMPRESSION SPRING 4		1				
043	412233-9	SWITCH LEVER		1				
044	629458-0	STATOR COMPLETE		1				
045	632P65-6	TERMINAL UNIT		1				
046	8008U5-3	CLEAR LABEL		1				
047	856U17-5	GA005G NAME PLATE		1				
048	856U23-0	GA005G SERIAL NO. LABEL		1				
A01	158237-4	GRIP 36 COMPLETE		1				
A02	A-80656	GRINDING WHEEL 125 WA36N		1				
A03	782423-1	LOCK NUT WRENCH 35		1				
A04C	412393-7	BATTERY COVER		1				
A04D	412393-7	BATTERY COVER		2				
A05C	***DC40RA	DC40RA FAST CHARGER		1				
D10		COMPO-PARTS						
A05D	***DC40RA	DC40RA FAST CHARGER		1				
D10		COMPO-PARTS						
A06C	191B26-6	BATTERY BL4040 SET		1				
A06D	191B26-6	BATTERY BL4040 SET		2				
A07B	821552-6	CONNECTOR PLASTIC CASE (TYPE4)		1				
C10	453974-8	LATCH		4				
A07C	821552-6	CONNECTOR PLASTIC CASE (TYPE4)		1				
C10	453974-8	LATCH		4				
A07D	821552-6	CONNECTOR PLASTIC CASE (TYPE4)		1				
C10	453974-8	LATCH		4				
A08B	8011A6-2	GA005GZ01 INDICATION LABEL		1				
A08C	8011B8-5	GA005GM101 INDICATION LABEL		1				
A08D	8011C0-8	GA005GM201 INDICATION LABEL		1				
A09B	8011A7-0	GA005GZ01 PLASTIC CASE LABEL		2				
A09C	8011B9-3	GA005GM101 PLASTIC CASE LABEL		2				

Model No.GA005G 125MM CORDLESS ANGLE GRINDER

Item	Parts No.	Description	I/C	Qty	New/Old	Opt. 1	Opt. 2	Note
A09D	8011C1-6	GA005GM201 PLASTIC CASE LABEL		2				
A10B	835E79-0	INNER TRAY		1				
A10C	835E79-0	INNER TRAY		1				
A10D	835E79-0	INNER TRAY		1				

Please order the parts with part number.

Print Date 22/6/2020