

# PARTS LIST

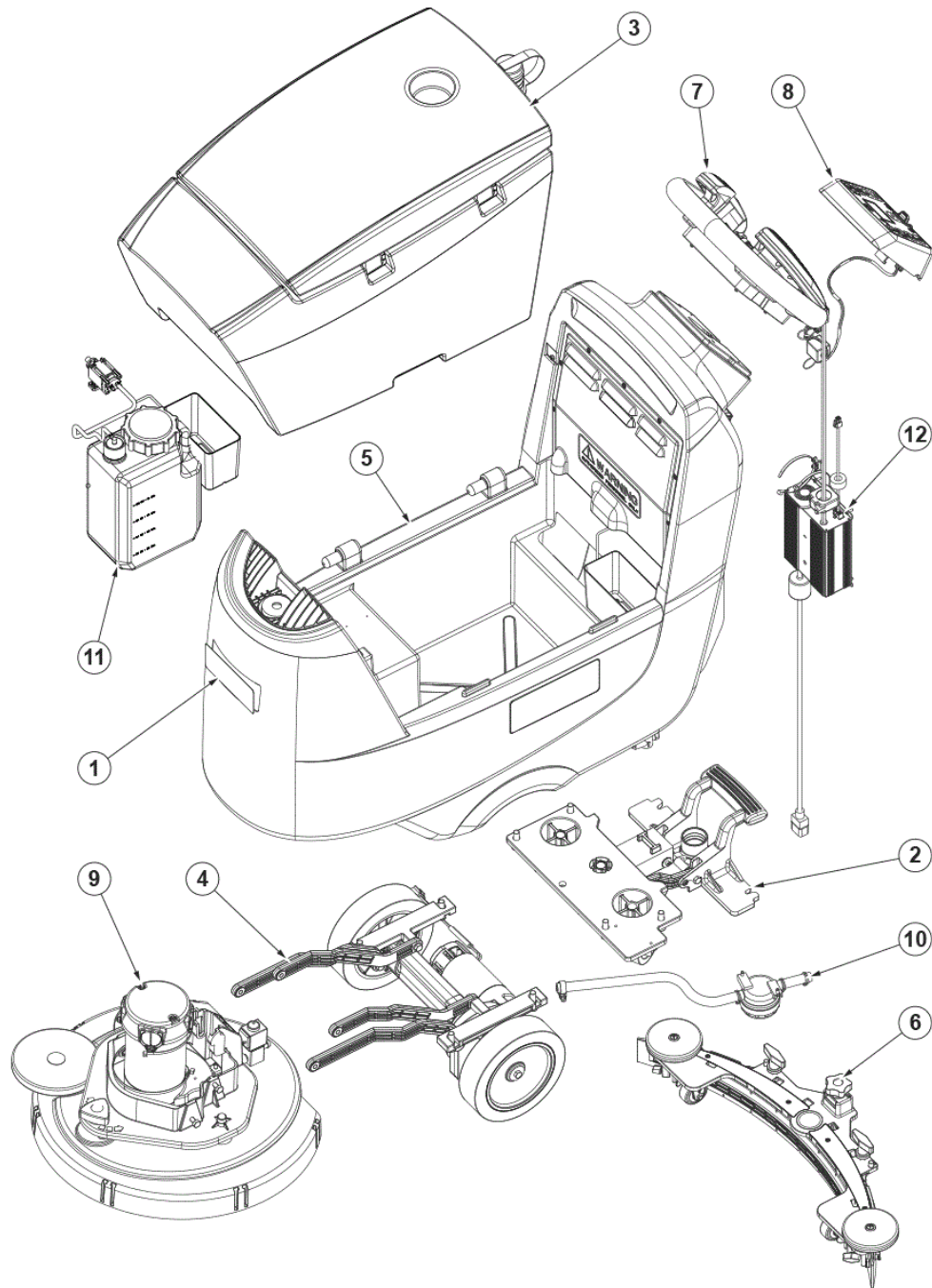


2021.04.01

# TABLE OF CONTENTS

---

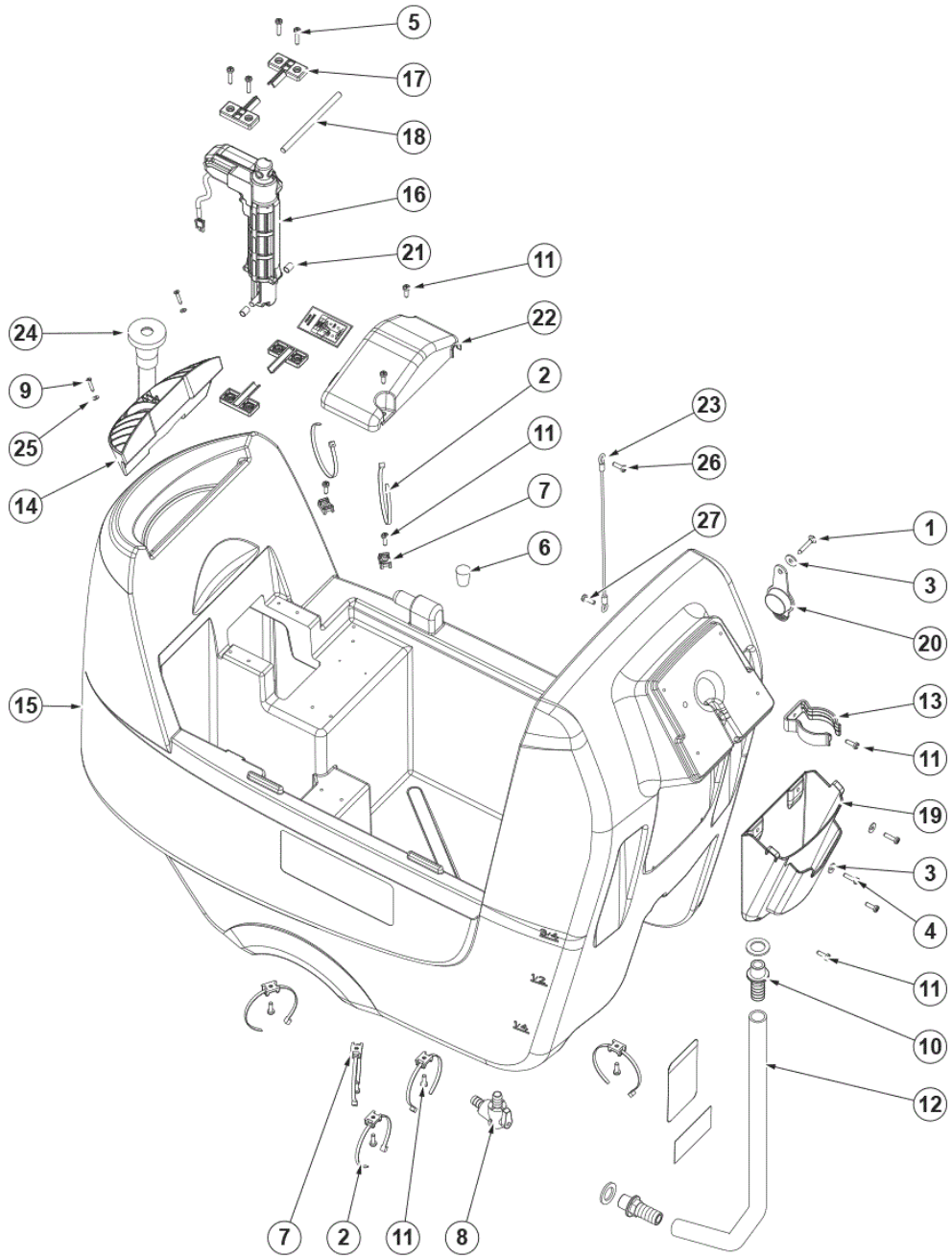
PL GENERAL VIEW .....	1
PL SOLUTION TANK .....	3
PL RECOVERY TANK .....	5
PL MOTOR DRIVE .....	7
PL PADDLE AND DASHBOARD-2 .....	9
PL REAR WHEELS .....	11
PL SQUEEGEE SYSTEM .....	13
PL DISC DECK .....	15
PL BATTERY CHARGER .....	17
PL ELECTRICAL COMPONENTS .....	19
ECOFLEX SYSTEM (Models No.: 9087400020, 9087401020, 9087402020) .....	21
PL ACCESSORIES 1 .....	23
PL ACCESSORIES 2 .....	25
PL ACCESSORIES 3 .....	27
WIRING DIAGRAM (Models No.: 9087400020, 9087401020, 9087402020) .....	29
PL RECOMMENDED SPARE PARTS .....	31



Pos.	Artikelnummer	Hoeveelheid	Omschrijving	Notes
1	9100000735	1	Stickers kit SC500	
2		1	WHEELS REAR-SQUEEGEE ASSEMBLY	[1]
3		1	TANK RECOVERY ASSEMBLY	[2]
4		1	MOTOR DRIVE ASSEMBLY	[3]
5		1	TANK SOLUTION ASSEMBLY	[4]
6		1	SQUEEGEE ASSEMBLY	[5]
7		1	PADDLE ASSEMBLY	[6]
8		1	PANEL CONTROL ASSEMBLY	[7]
9		1	DECK BRUSH ASSEMBLY	[8]
10		1	SYSTEM SOLUTION ASSEMBLY	[9]
11		1	ECOFLEX ASSEMBLY	[10]
12		1	CHARGER BATTERY ASSEMBLY	[11]

Part Notes:

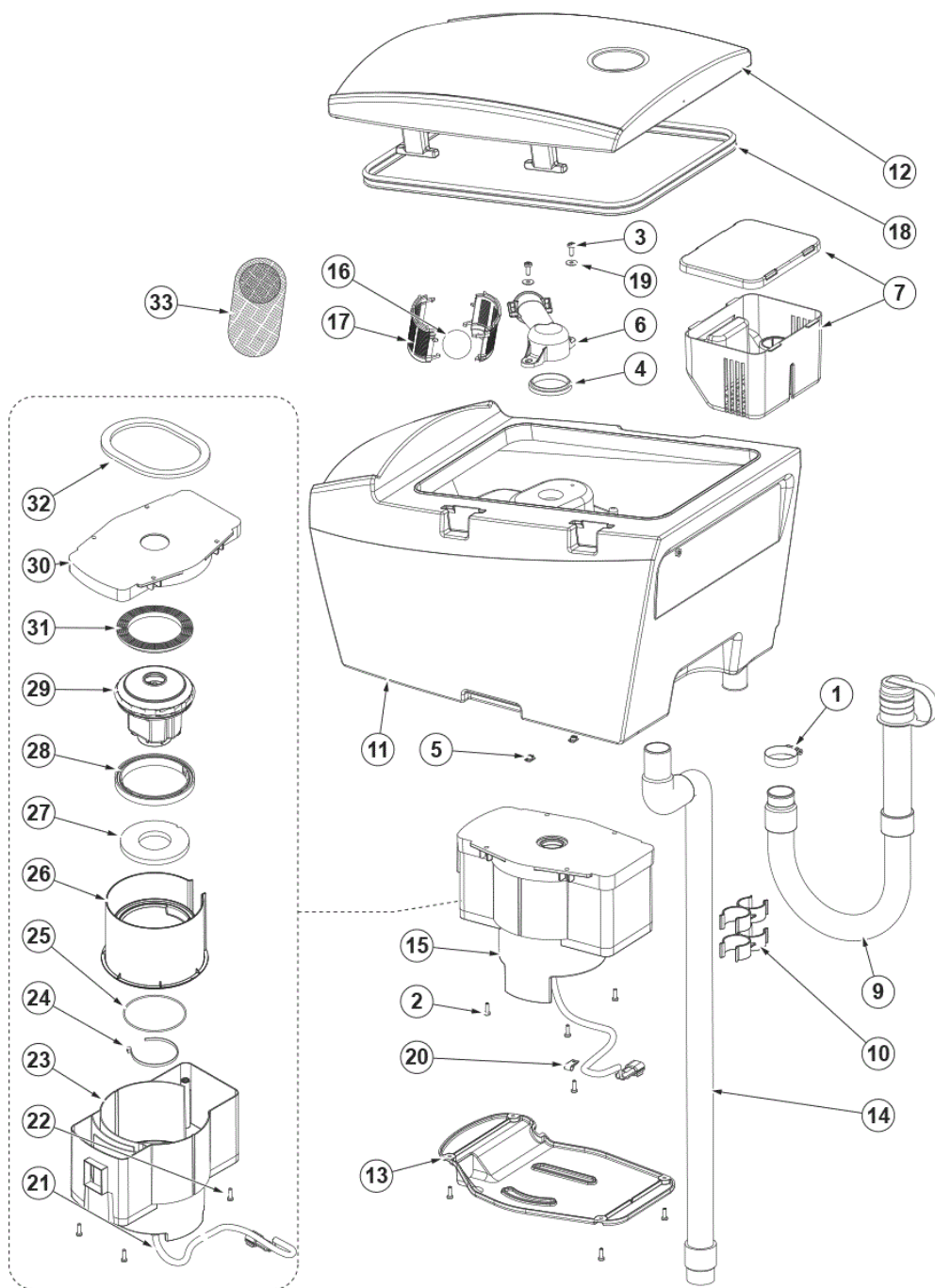
- [1] - REAR WHEELS
- [2] - RECOVERY TANK
- [3] - MOTOR DRIVE
- [4] - SOLUTION TANK
- [5] - SQUEEGEE SYSTEM
- [6] - PADDLE
- [7] - DASHBOARD
- [8] - DISC DECK
- [9] - SOLUTION SYSTEM
- [10] - ECOFLEX SYSTEM
- [11] - BATTERY CHARGER



Pos.	Artikelnummer	Hoeveelheid	Omschrijving	Notes
8	910000803	1	Waterkraan haaks	
10	910000574	2	BARB HOSE STRAIGHT D.19.8 G1/2 PLAST KIT	
12	9098446000	1	Solutionslang	
13	909 6380 000	1	Klemset tank	
14	910000899	1	FILTER WATER INLET PKD	
15	910000804	1	TANK SOLUTION 40 LT GREY PKD	
16	910000805	1	ACTUATOR LINEAR 24V DC STRK 120MM PKD	[1]
16	910000806	1	ACTUATOR LINEAR 24V DC STRK 98MM SIP	[2]
19	910000807	1	Box F Charger Kabel Sip	
20	910000808	1	RUBBER SOLUTION CAP PKD	
21	910002105	1	CAP D.9 PLASTIC 10 PCS SET	[3]
22	910000809	1	COVER PLAST. F DETERGENT SOLU. PUMP SIP	
24	910000703	1	Vulslang BR	[4]
K1	910000737	1	ACTUATOR FIXING KIT	[5]
K2	910000738	1	HARDWARE SOLUTION TANK KIT	[6]
K3	910000794	1	Kabel Safety F Tank Set	[7]

## Part Notes:

- [1] - For DISC version
- [2] - For REV version
- [3] - SEE TSB-FC-2016-021
- [4] - OPTIONAL - SEE TSB-FC-2016-020
- [5] - NOT SHOWN - Pos. 5-17-18-21
- [6] - NOT SHOWN - Pos. 1-2-3-4-6-7-9-11-25-26-27
- [7] - NOT SHOWN - Pos. 23-26-27

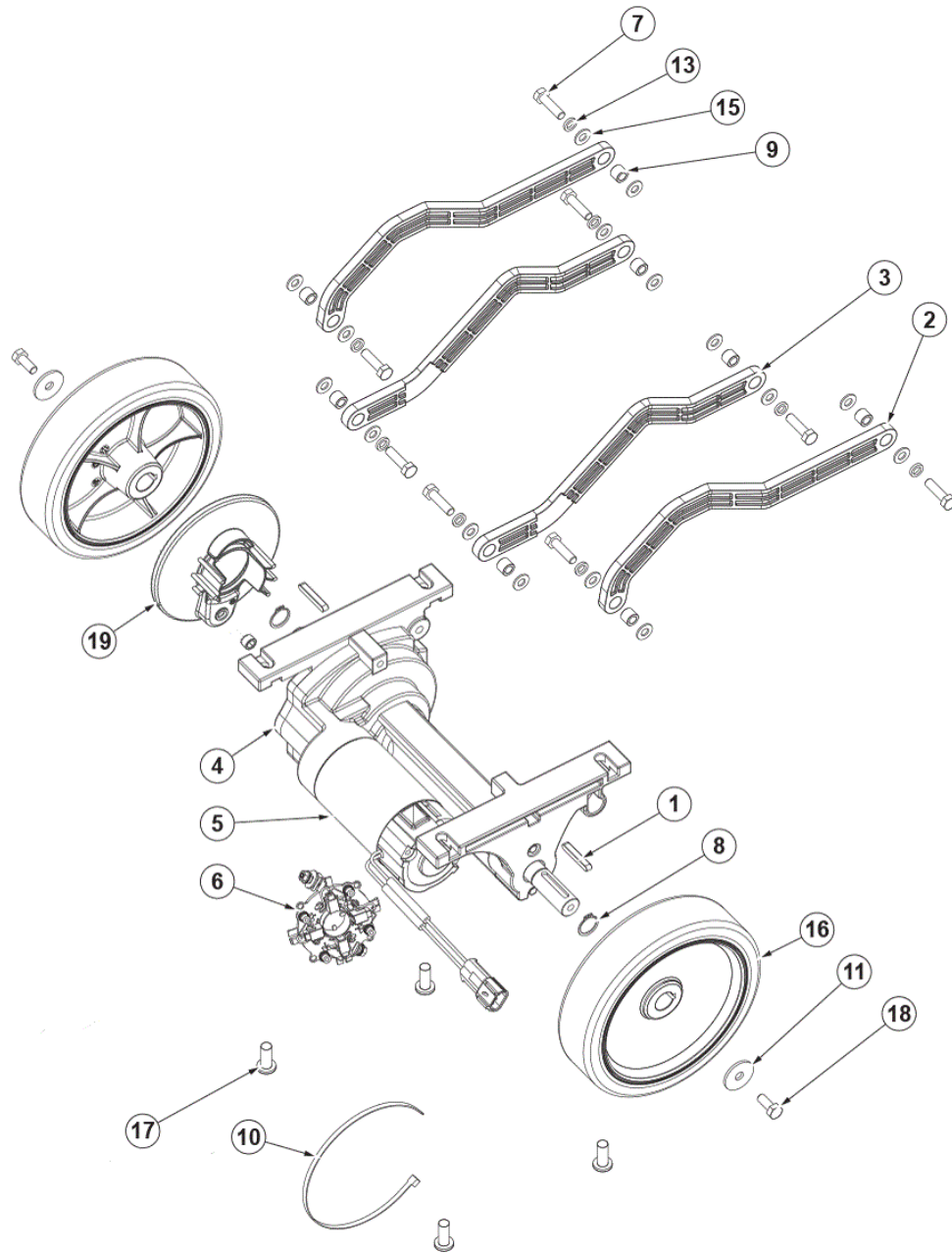


Pos.	Artikelnummer	Hoeveelheid	Omschrijving	Notes
1	9100001348	1	CLAMP 14/32-52 10 PCS SET	
4	9100000928	1	GASKET FLOAT SUPPORT SIP	
7	9100000795	1	Grofvuil filter	[1]
9	9100000812	1	Afvoerslang L.876MM	
10	9100000889	1	CLIP HOSE STOPPING 2 PCS SET	
11	9100000813	1	TANK RECOVERY 40 LT GREY SIP	
12	9100000814	1	COVER TANK GREY PKD	[2]
13	9100000815	1	COVER F VACUUM MOTOR SOUNDPROOFING SIP	
14	9100000816	1	Zuigslang L.1000MM 90	
15	9100000904	1	MOTOR VACUUM 24V 280W CPL KIT	
15	9100000491	1	Hoog vermogen zuigmotor 24V 450W kit	[3]
16	9100000817	1	BALL FLOATING PKD	
17	9100000818	1	CAGE FLOAT HALF 2 PCS SET	
18	9100000819	1	GASKET BULB RUBBER L.1670MM PKD	
21	9100000820	1	HARNES VACUUM MOTOR SIP	
23	9100000821	1	SUPPORT EXT. INSULATION VAC. MOTOR SIP	
26	9100000822	1	SUPPORT INT. INSULATION VAC. MOTOR SIP	
29	9100000823	1	Zuigmotor 24V 280W PKD	
30	9100000824	1	SUPPORT UPPER F VAC. MOTOR SOUNDPR. SIP	
33	909 5065 000	1	Antischuimfilter	[1]
K1	9100001875	1	SUPPORT FLOAT KIT	[4]
K2	9100000739	1	GASKETS VACUUM MOTOR KIT	[5]
K3	9100000740	1	HARDWARE RECOVERY TANK KIT	[6]

Part Notes:

- [1] - OPTIONAL
- [2] - See TSB-FC-2017-043  
DE TSB-FC-2017-043 SC500 Schmutzwasser Tankdeckel
- [3] - OPTIONAL - INST. INSTR. 9100000753
- [4] - NOT SHOWN - Pos. 3-4-6-19
- [5] - NOT SHOWN - Pos. 25-27-28-31-32
- [6] - NOT SHOWN - Pos. 1-2-5-20-22-24

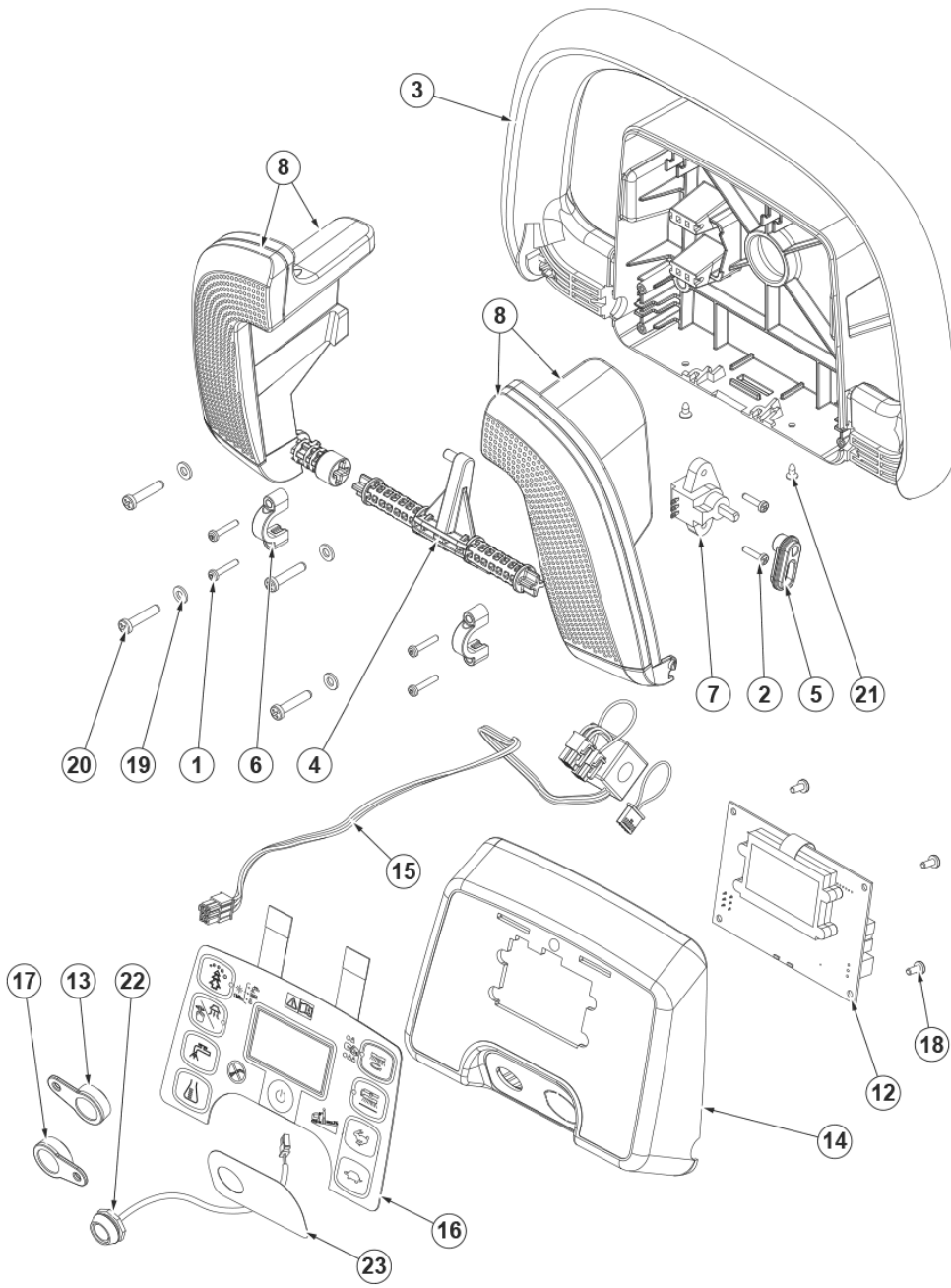




Pos.	Artikelnummer	Hoeveelheid	Omschrijving	Notes
1	146 0769 000	2	Sleutel 6X6X40 UNI6604A	
2	9100000825	1	LEVER EXT. FOR DECK LIFTING 2 PCS SET	
3	9100000826	1	LEVER INT. FOR DECK LIFTING 2 PCS SET	
4	9100000827	1	MOTOR DRIVE 200W 24V PKD	[1]
5	9100002349	1	MOTOR ELECTRIC 200W 24V KIT	
6	9100000920	1	CARBON BRUSHES W/HOLDER KIT	
16	9100003038	1	WHEEL D.200X50 GREY-BLACK 2PCS SET	
19	9100002594	1	COVER WHEEL PLASTIC KIT	[2]
K1	9100000742	1	HARDWARE DRIVE MOTOR KIT	[3]

Part Notes:

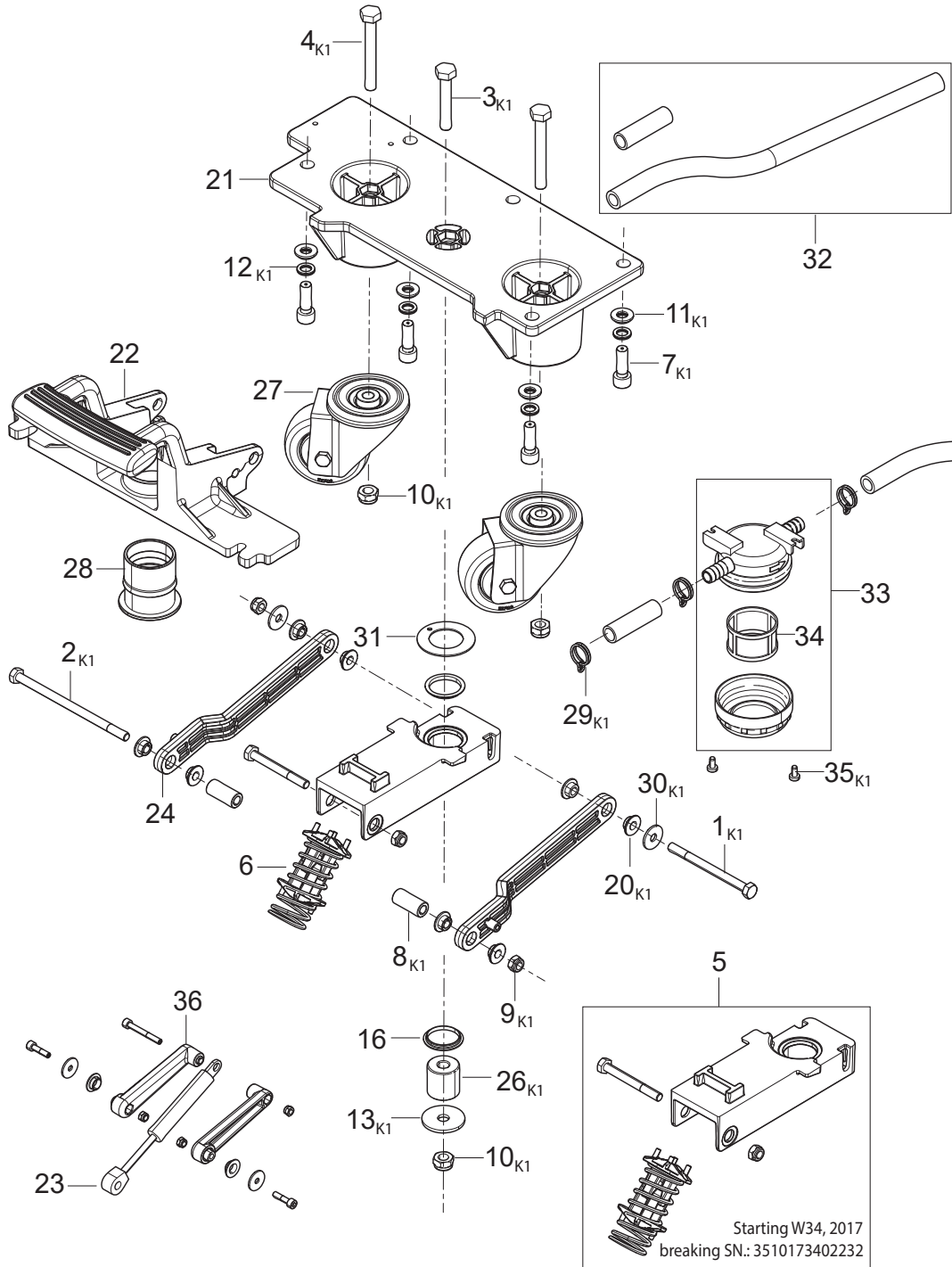
- [1] - TSB-FC-2018-013 SC500\_Oil leak from transaxle rev
- [2] - TSB-FC-2018-013 SC500\_Oil leak from transaxle rev  
DE TSB-FC-2018-013 SC500 Ölundichtigkeit am Fahrtrieb - überarbeitet
- [3] - NOT SHOWN - Pos. 1-7-8-9-10-11-12-13-14-15-17-18



Pos.	Artikelnummer	Hoeveelheid	Omschrijving	Notes
3	9100000835	1	HANDLE BAR SIP	
4	9100000836	1	SHAFT LEVERS CONNECTION SIP	
7	9100000837	1	POTENTIOMETER 5K PKD	
8	9100002167	1	LEVERS RT-LT DRIVING ASSEMBLED KIT	
12	9100002391	1	CONTROLLER DISPLAY SIP	[1]
13	56116518	1	SMART KEY-USER Blauw	[2]
14	9100002390	1	COVER PLAST. F HANDLE BAR SIP	[3]
15	9100000845	1	HARNES CONTROL PANEL SIP	
16	9100002915	1	CONTROLLER GEBRUIKERSINTERFACE GEMONTEER	[4]
16	9100002916	1	CONTROLLER USER INTERFACE MOUNTED SIP	[5]
17	56116519	1	SMART KEY-SUPERVISOR Geel	[2]
22	56116477	1	IBUTTON-PROBE	
23	9100002399	1	DECAL SMARTKEY AND USB SIP	[3]
K1	9100000745	1	PADDLE AND DASHBOARD FIXING KIT	[6]

## Part Notes:

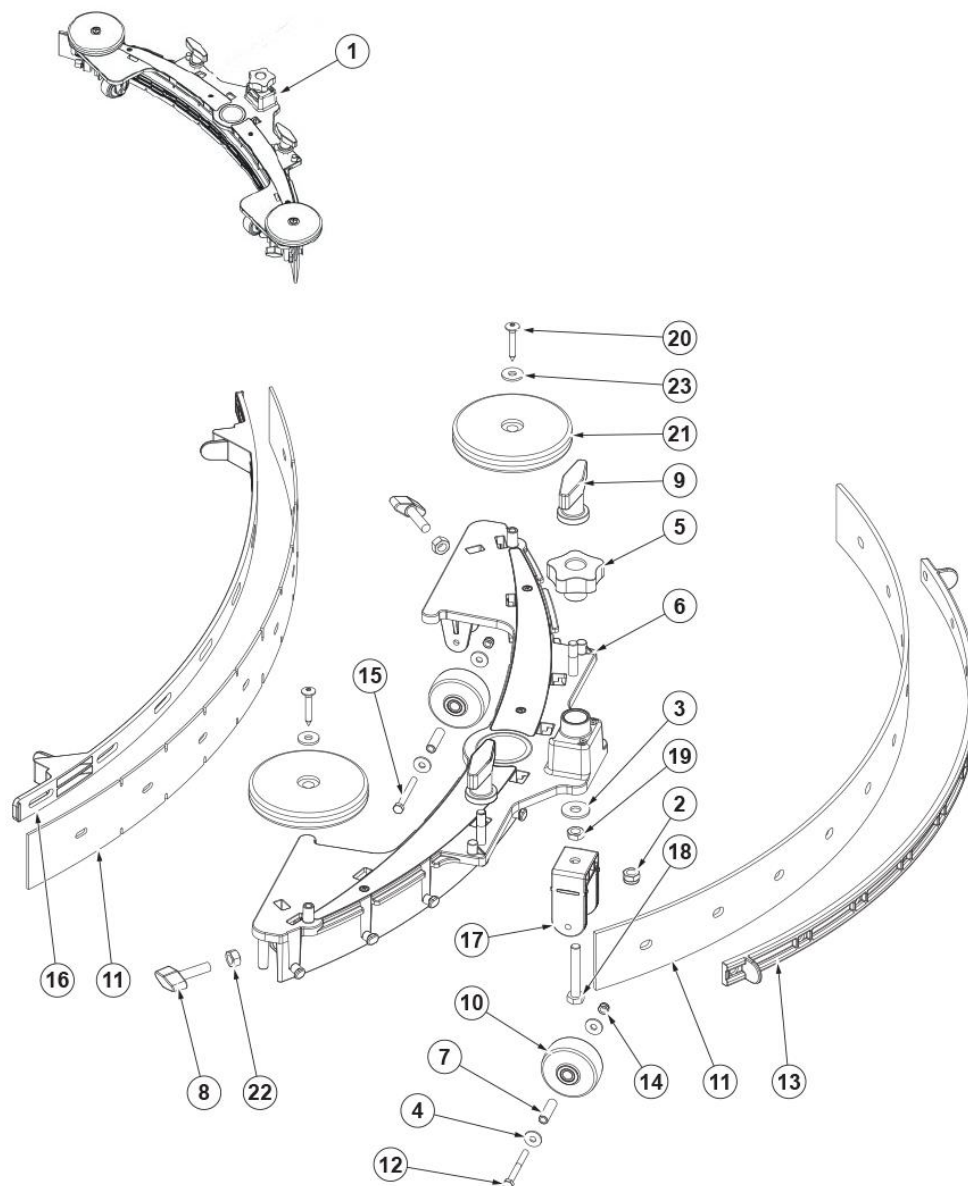
- [1] - TSB-FC-2018-019 SC500 SW update  
DE TSB-FC-2018-019 SC500 Software Aktualisierung
- [2] - OPTIONAL
- [3] - TSB-FC-2018-020  
  
TSB-FC-2018-020 SC500 control panel  
DE TSB-FC-2018-020 SC500 Bedienpanel
- [4] - Only for SC500 53 B DISC  
  
TSB-FC-2018-020 SC500 control panel  
DE TSB-FC-2018-020 SC500 Bedienpanel
- [5] - Only for SC500 53 B REV  
  
TSB-FC-2018-020 SC500 control panel  
DE TSB-FC-2018-020 SC500 Bedienpanel
- [6] - NOT SHOWN - Pos. 1-2-5-6-18-19-20-21



Pos.	Artikelnummer	Hoeveelheid	Omschrijving	Notes
5	9100002400	1	SUPPORT UPPER F SQUEEGEE KIT	[1]
6	9100002401	1	SPRING COMPRESSION KIT	
16	9100000902	2	BEARING FLANGE IGLIDUR 2 PCS SET	
21	9100000851	1	SUPPORT REAR WHEELS-SQUEEGEE SIP	
22	9100000853	1	SUPPORT LOWER F SQUEEGEE SIP	
23	9100000855	1	SPRING GAS 30 KG PKD	[2]
24	9100000854	1	LEVER SQUEEGEE LIFT 2 PCS SET	
27	9100000856	1	WHEEL CASTOR D.80 2 PCS SET	
27	9100001581	1	WHEEL CASTOR D.80 SS 2PCS SET	[3]
28	9100000857	1	SLEEVE RUBBER BLACK F SUCTION HOSE SIP	
31	9100000903	1	WASHER THRUST GTM 3254-015 SIP	
32	9100000796	1	HOSES SOLUTION SYSTEM KIT	
33	9100000860	1	FILTER WATER PKD	
34	9100000861	1	Filter inzet	
36	9100000849	1	LEVER GAS SPRING LEFT SIP	
K1	9100000746	1	SUPPORT SQUEEGEE FIXING KIT	[4]

Part Notes:

- [1] - SEE INST. INSTR. 9100002404  
SEE TSB-FC-2017-067  
SEE DE TSB-FC-2017-067 SC500 neue Saugfuss Feder
- [2] - SEE TSB-FC-2016-259  
SEE TSB-FC-2017-067  
SEE DE TSB-FC-2017-067 SC500 neue Saugfuss Feder
- [3] - OPTIONAL
- [4] - NOT SHOWN - Pos. 1-2-3-4-7-9-10-11-12-13-16-20-26-29-30-31-35

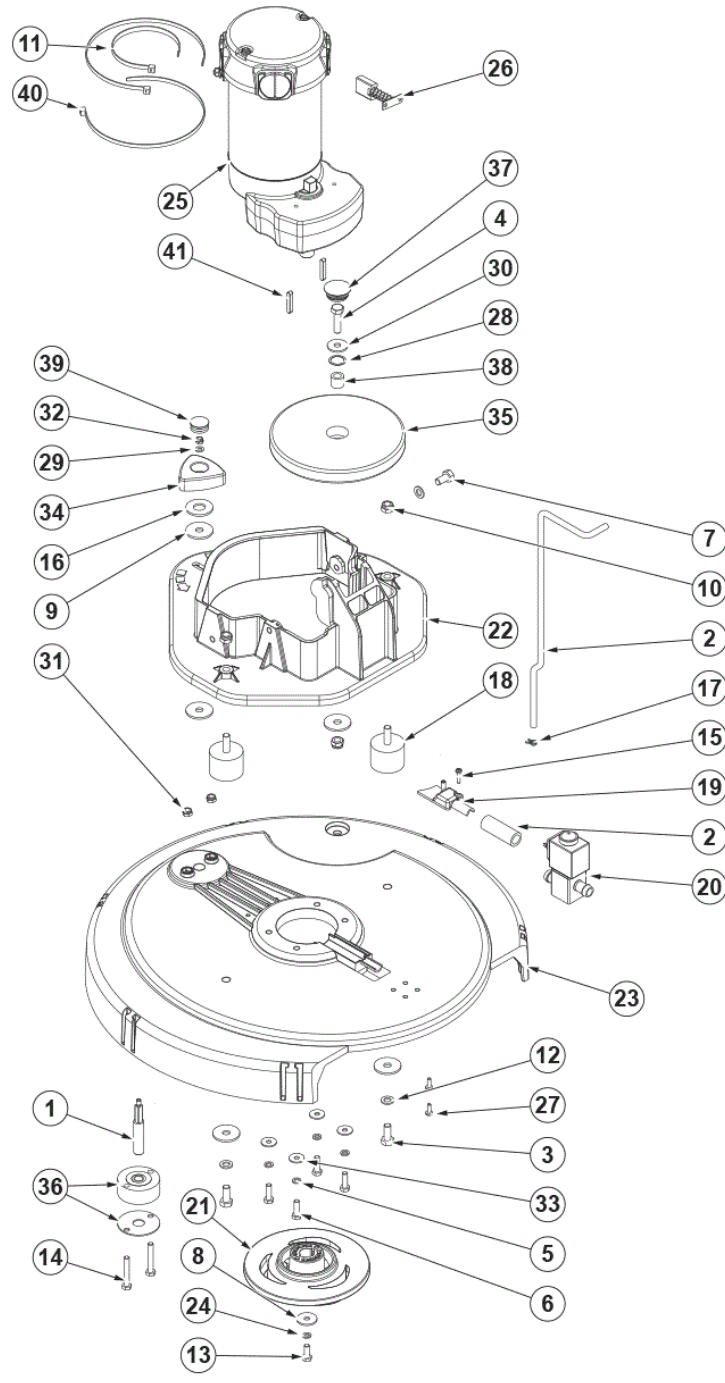


Pos.	Artikelnummer	Hoeveelheid	Omschrijving	Notes
1	9100001366	1	SQUEEGEE NON MARKING 730MM/29 KIT	[1]
1	9100001367	1	SQUEEGEE PU 730MM/29 KIT	[2]
5	9100000862	1	KNOB LOBES M8 FEMALE PKD	
6	9100000747	1	SQUEEGEE 730MM/29 PRE-ASSEMBLED PKD	
7	9100002408	1	KIT ENTRETOISES PLAST. 5.1X8X28.5 3 PCS	
8	9100000791	2	KNOB M8X30 THD STUD SS PKD	
9	9097637000	1	SQUEEGEE FIXING KIT	
10	9100000559	3	Wiel d.51 grijs PKD	
11	9100000810	1	Zuigmond rubbers 740MM 29" rubber	[3]
11	9100000490	1	Zuigmond rubbers 740MM 29" PU	[3]
11	9100000060	1	Zuigmond rubbers 740MM 29" rood rubber	[3]
13	9100000864	1	STRAP ELASTIC F REAR SQUEEGEE BLADE PKD	
16	9100000865	1	STRAP FRONT SQUEEGEE BLADE PKD	
17	9100000866	1	SUPPORT SQUEEGEE WHEEL SIP	
21	9100001816	1	WHEEL BUMPER D.100 PLASTIC 2 PCS SET	
K1	9100000748	1	HARDWARE SQUEEGEE KIT	[4]

## Part Notes:

- [1] - ONLY FOR SC500
- [2] - ONLY FOR SC2000 - SCRUBTEC R253 - RA40
- [3] - OPTIONAL
- [4] - NOT SHOWN - Pos. 1-2-3-4-7-12-14-15-18-19-20-22

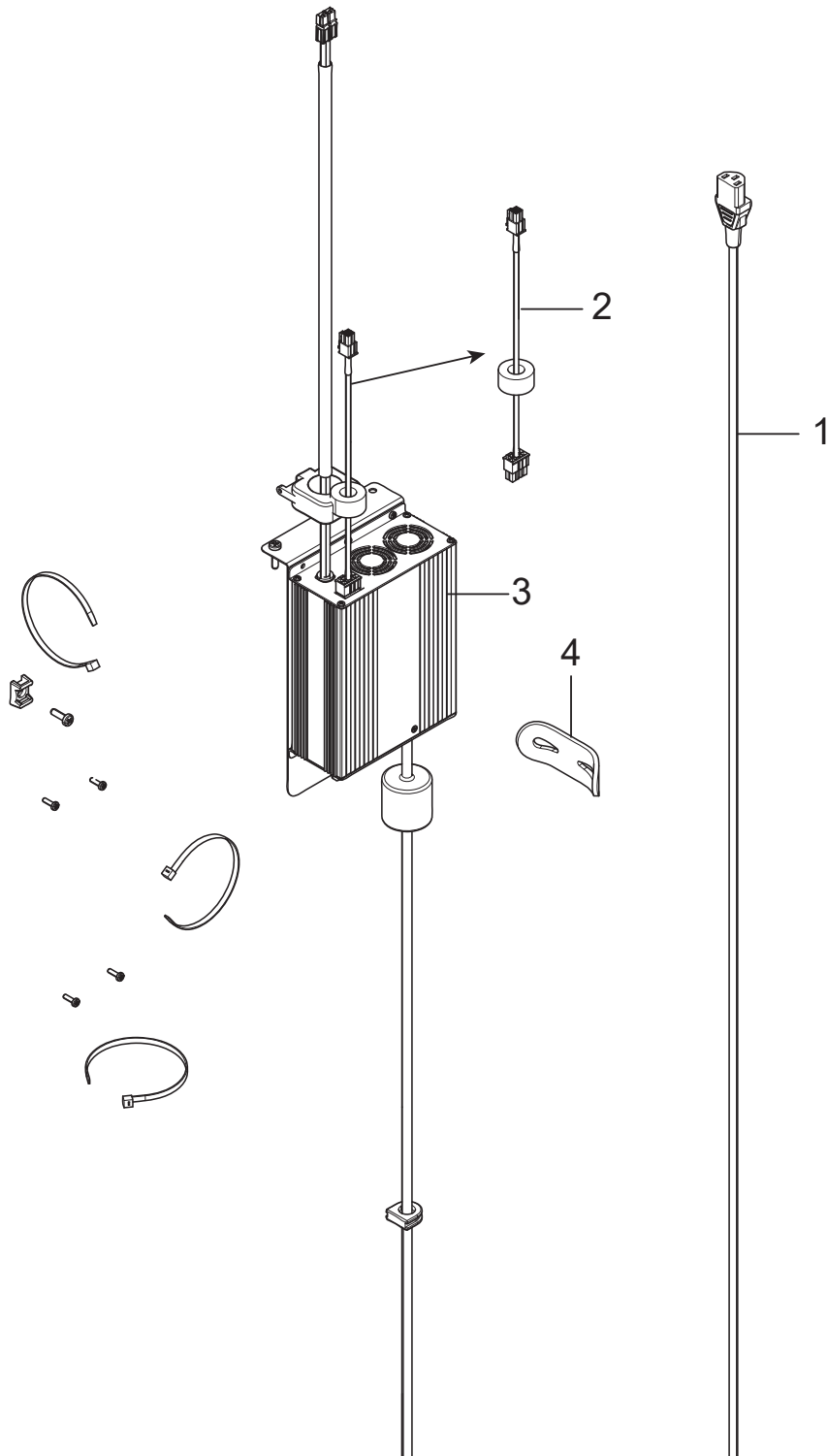




Pos.	Artikelnummer	Hoeveelheid	Omschrijving	Notes
2	9100000797	1	HOSES BRUSH DECK KIT	
18	9100000868	1	VIBRATION DAMPING M8 60SH 2 PCS SET	
19	9100000869	1	COVER SOLUTION HOSE SUPPORT PKD	
20	9100000870	1	Waterklep 24V PKD	
21	9100000871	1	HUB BRUSH PKD	[1]
22	9100000872	1	PLATE BRUSH DECK HOLDER SIP	
23	9100000873	1	DECK BRUSH PKD	
25	9100000874	1	REDUCTION GEARMOTOR 450W 24V PKD	
26	9098376000	1	Koolborstel kit 4st.	
36	L08812780	1	Bufferkit	
41	9100000875	1	KEY 5X5X30 DIN6885 2 PCS SET	
K1	909 6887 000	1	Bumper roller kit	[2]
K2	9100000750	1	DECK BRUSH ADJUST. KIT	[3]
K3	9100000751	1	HARDWARE BRUSH DECK KIT	[4]
K4	9097093000	1	Houder Polygonaal kit	[5]

## Part Notes:

- [1] - TSB-FC-2019-037 brush hub SC500\_SC2000\_SC401  
DE TSB-FC-2019-037 SC500 SC2000 SC401 Bürstenaufnahme
- [2] - NOT SHOWN - Pos. 4-28-30-35-37-38
- [3] - NOT SHOWN - Pos. 1-9-14-16-29-31-32-34-36-39-41
- [4] - NOT SHOWN - Pos. 3-5-6-7-8-10-11-12-13-15-17-24-27-33-40
- [5] - TSB-FC-2019-037 brush hub SC500\_SC2000  
DE TSB-FC-2019-037 SC500 SC2000 Bürstenaufnahme



Pos.	Artikelnummer	Hoeveelheid	Omschrijving	Notes
	9099995000	1	Ingebouwde lader	[1]
	9100001710	1	CHARGER BATT O/B JP 24V 13A 100-240V KIT	[2]
1	1466318000	1	Verlengkabel Uk Plug L.2000 mm SIP	
1	9100000787	1	Snoer Met Stekker L.2000	
1	1467891000	1	Verlengkabel Swiss Plug L.2000 mm SIP	
1		1	Input cable extention: 3x0.75mmq IEC-JAPAN L=2000mm	
2	9100002960	1	CHARGER BATT. OUTPUT AUX. CABLE SIP	[3]
3	9100000888	1	Batterij lader O/B 24V 13A 100-230V PKD	[4]
4	9100000829	1	Elastische BEn Verlengkabel	

Part Notes:

[1] - NOT SHOWN - OPTIONAL - INST. INSTR. 9100000924- Pos. 1-2-3-4-5-6-7-8

TSB-FC-2019-006 Batt level display SC500\_SC2000

DE TSB-FC-2019-006 SC500 SC2000 Batteriekapazitätsanzeige

SEE TSB-FC-2016-010

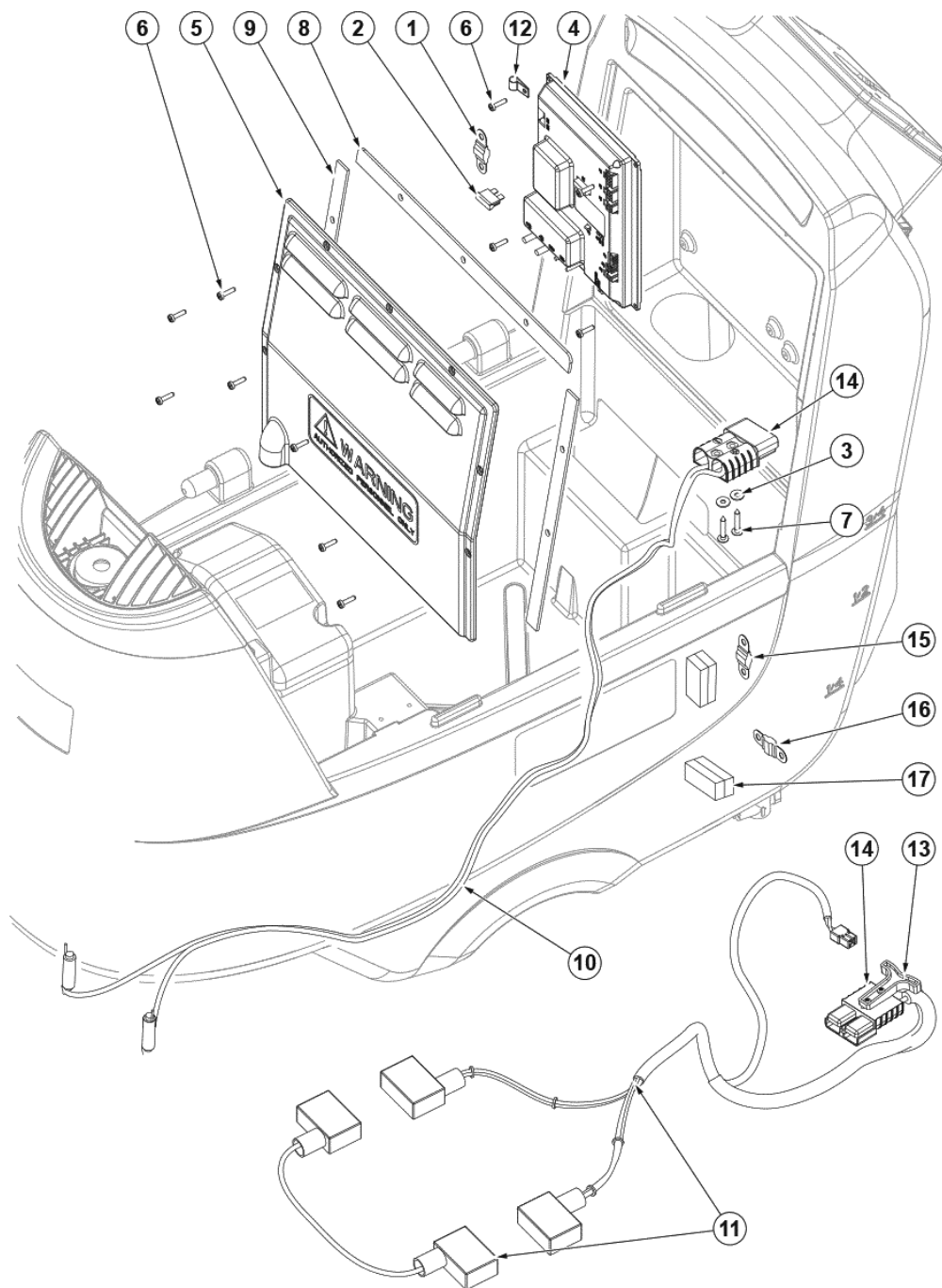
[2] - 9100001712 Installation Instruction for KIT 9100001710

[3] - TSB-FC-2019-006 Batt level display SC500\_SC2000

DE TSB-FC-2019-006 SC500 SC2000 Batteriekapazitätsanzeige

[4] - SEE TSB-FC-2016-010

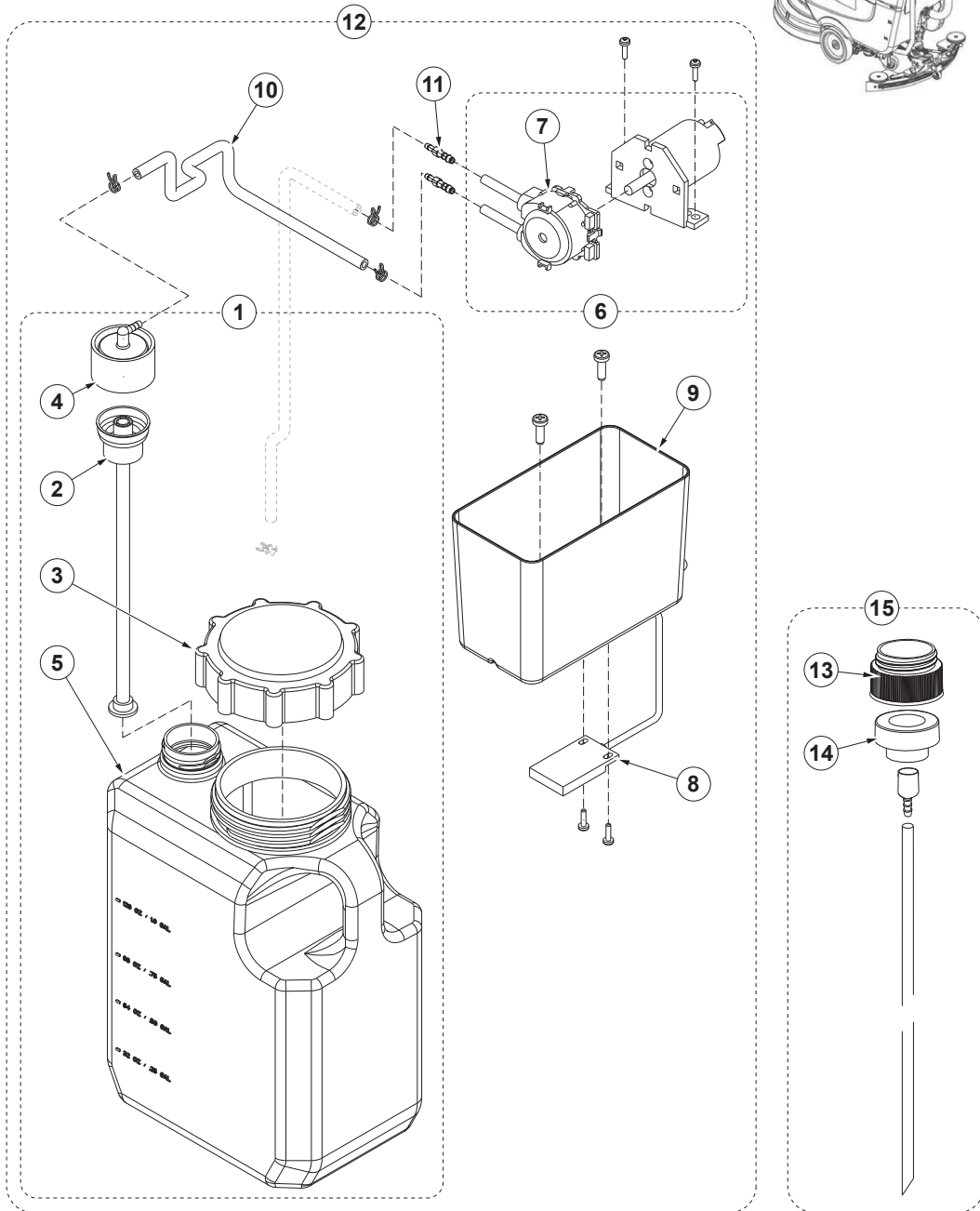
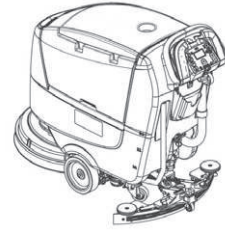
TSB-FC-2019-006 Batt level display SC500\_SC2000



Pos.	Artikelnummer	Hoeveelheid	Omschrijving	Notes
1	9100000877	1	FUSE MIDIFUSE 100A SIP	
2	9100000878	1	FUSE BLADE 3A PKD	
4	9100002397	1	CONTROLLER MAIN MACHINE SIP	[1]
5	9100000880	1	COVER BOX ELECTRIC COMP. SIP	
10	9100002232	1	HARNESS MACHINE SC500 SIP	[2]
10	9100001863	1	HARNESS MACHINE SC500 20R B SIP	[3]
11	9100001955	1	Batterij bekabeling	
13	9100000885	1	HANDLE F BATTERY CONNECTOR SIP	
14	9100002117	1	CONNECTOR RED 120A PKD	
15	9100002233	1	FUSE BOLT DOWN 30A SIP	
16	9100002234	1	FUSE BOLT DOWN 50A SIP	
17	9100002235	2	HOLDER FUSE SIP	
K1	9100000798	1	GASKETS COVER KIT	[4]
K2	9100000799	1	HARDWARE ELECT. COMPONENTS KIT	[5]

## Part Notes:

- [1] - TSB-FC-2018-019 SC500 SW update  
DE TSB-FC-2018-019 SC500 Software Aktualisierung
- [2] - FOR ALL VERSION - (Note only for REV version) STARTING FROMS/N 3510163605524
- [3] - SEE PI 2017-002  
Harness only for REV version - Untils/N 3510163605523
- [4] - Pos. 8-9
- [5] - Pos. 3-6-7-12

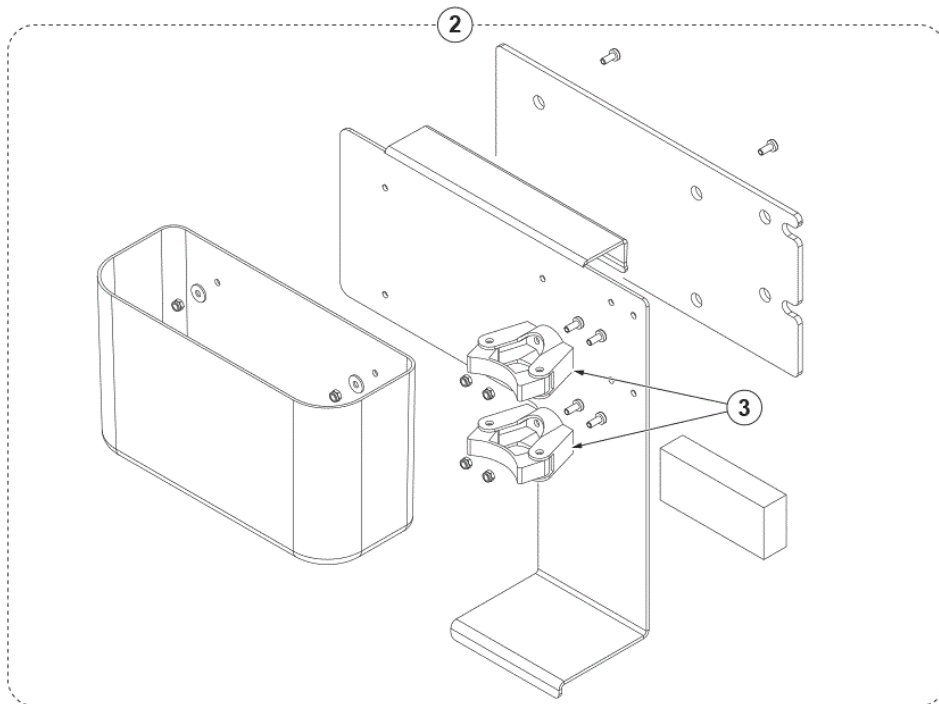
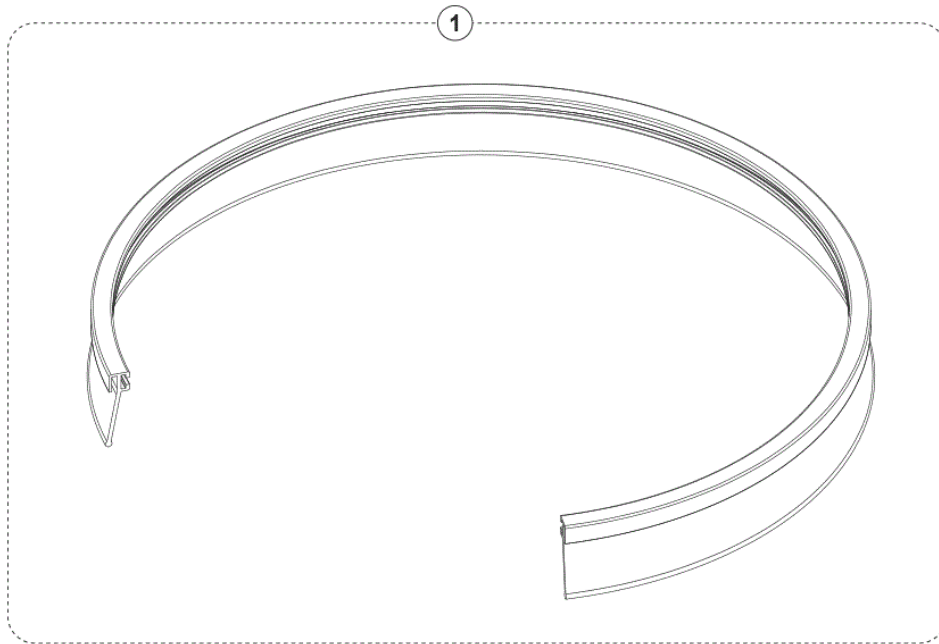


Pos.	Artikelnummer	Hoeveelheid	Omschrijving	Notes
1	56104190	1	Ecoflex fles 5L	
2	56104189	1	INSERT-DRY BRAKE	
3	9100001817	1	CAP PLASTIC F CHEMICAL TANK SIP	
4	56315523	1	Kapje dry break, 1/8	
5	9100001081	1	CHEMICAL TANK PKD	
6	9100002398	1	PUMP DETERG. MIX PERISTALTIC 24V SIP	
7	9100002388	1	HEAD PERISTALTIC PUMP DETERG. SIP	
8	9100000893	1	SENSOR WATER LEVEL SIP	
9	9100002971	1	ONDERSTEUNING WATER NIVEAU SENSOR SIP	
10	9100000891	1	HOSE SILICONE D.4X7 L.300MM SIP	
11	9100002402	1	BARB HOSE STRAIGHT D.5-D.4 2 PCS SET	
12	9100002395	1	ECOFLEX DETERGENT KIT SC500	[1]
13	9097023000	1	Tank adapter	
14	9097022000	1	SENSOR CHEMICAL MIX LEVEL	
15	9098025000	1	Adaptor detergent kit	[2]

Part Notes:

- [1] - OPTIONAL - SEE INST. INSTR.
- [2] - OPTIONAL



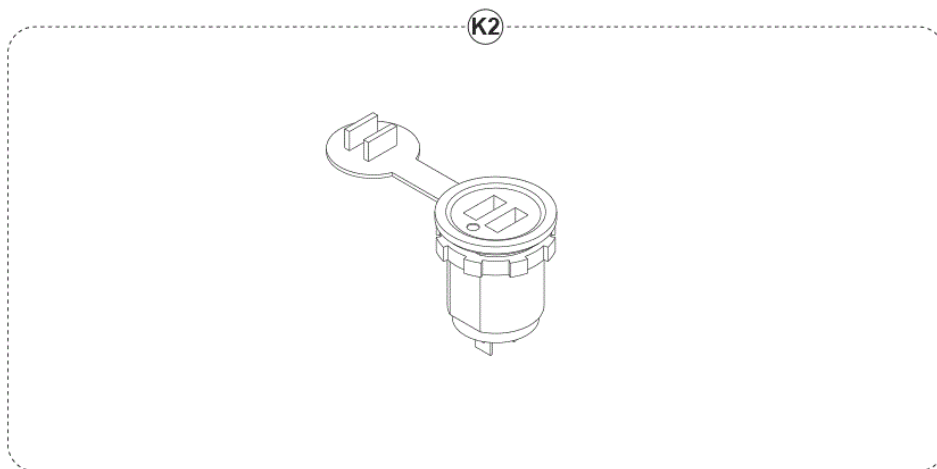
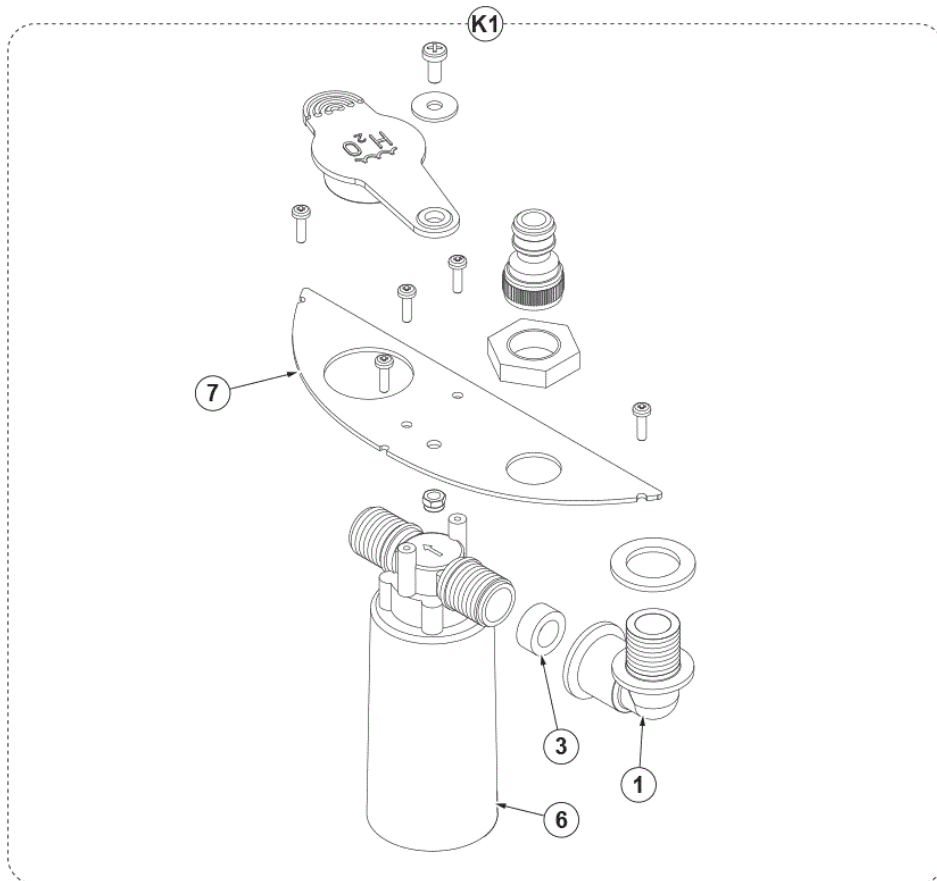


---

Pos.	Artikelnummer	Hoeveelheid	Omschrijving	Notes
1	9100001441	1	Spatrand cpl. Borsteldeck kit	[1]
2	9100002280	1	MOP AND TRASH KIT	[2]
3	9100001369	2	MOP KIT	

## Part Notes:

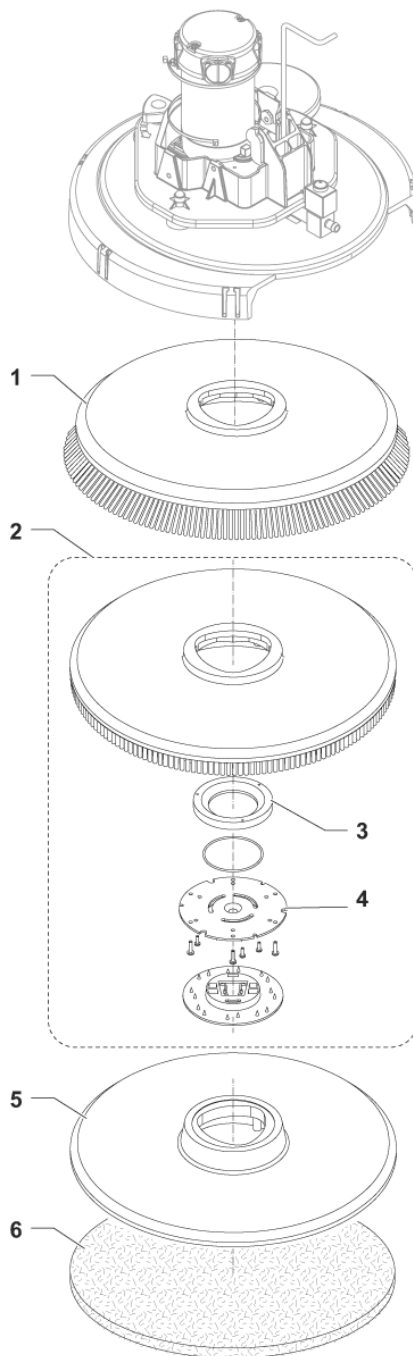
- [1] - OPTIONAL
- [2] - OPTIONAL - SEE INST. INSTR. 9100002279



Pos.	Artikelnummer	Hoeveelheid	Omschrijving	Notes
1	910000894	1	ELBOW CURVED M/F PKD	
3	910000622	1	Dichtingsrubber D.11.5x19x5	
6	910000897	1	VALVE WATER STOP SIP	
7	910000898	1	SUPPORT WATER STOP SIP	
K1	910000005	1	Automatische watervulkit	[1]
K2	9100002403	1	USB PORT KIT	[2]

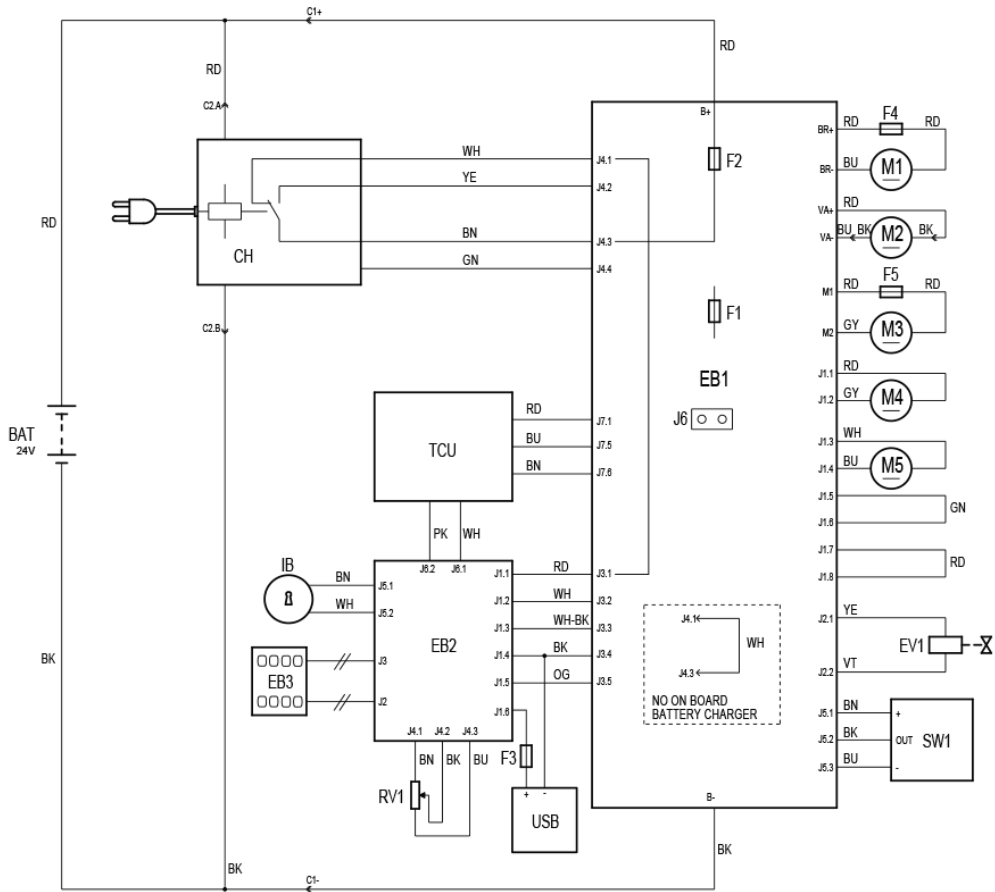
## Part Notes:

- [1] - OPTIONAL - POS. 1-2-3-4-5-6-7-8  
[2] - OPTIONAL - SEE INST. INTR. 9100002406 - Models No.: 9087400020, 9087401020, 9087402020



Resource notes:  
OPTIONALS

Pos.	Artikelnummer	Hoeveelheid	Omschrijving	Notes
1	L08837025	1	Borstel 21 inch Prolene 530mm	
1	L08837026	1	Borstel 21 inch Prolite 530mm	
1	L08837027	1	Borstel 21 inch union mix 530mm	
1	L08837028	1	Borstel 21 inch 530mm midlite grit 180	
1	L08837029	1	Borstel 21 inch 530mm mid grit 240	
1	L08837065	1	Borstel 21 inch magna grit 530mm	
1	L08837066	1	Borstel 21 inch Dynagrit 530mm	
1	L08837067	1	Borstel 21 inch Aglite grit 530mm	
2	L08837018	1	Padhouder 530mm/21 inch Centre Lock	
3	L08603966	1	Nylon ring	
4	56505195	1	Sluitplaat padhouder	
5	9099671000	1	Padhouder 20 inch 508 mm Velcro	
6	10001955	1	Pad 20 505MM Eco Black 5PCS	
6	10001956	1	Pad 20 505MM Eco Blue 5PCS	
6	10001957	1	Pad 20 505MM Eco Brown 5PCS	
6	10001958	1	Pad 20 505MM Eco Green 5PCS	
6	10001959	1	Pad 20 505MM Eco Red 5PCS	
6	10001960	1	Pad 20 505MM Eco White 5PCS	
6	10002348	1	PAD 20 500MM ECO BRILLIANCE RED 2PCS	
6	10002349	1	PAD 20 500MM ECO BRILLIANCE BLUE 2PCS	
6	10002350	1	PAD 20 500MM ECO BRILLIANCE YELLOW 2PCS	
6	10002351	1	PAD 20 500MM ECO BRILLIANCE GREEN 2PCS	



Pos.	Artikelnummer	Hoeveelheid	Omschrijving	Notes
C1	9100002117		CONNECTOR RED 120A PKD	
CH	9100000888		Batterij lader O/B 24V 13A 100-230V PKD	
EB1	9100002397		CONTROLLER MAIN MACHINE SIP	
EB2	9100002391		CONTROLLER DISPLAY SIP	
EB3	9100002915		CONTROLLER GEBRUIKERSINTERFACE GEMONTEER	[1]
EB3	9100002916		CONTROLLER USER INTERFACE MOUNTED SIP	[2]
EV1	9100000870		Waterklep 24V PKD	
F1	9100000877		FUSE MIDIFUSE 100A SIP	
F2	9100000878		FUSE BLADE 3A PKD	
F4	9100002233		FUSE BOLT DOWN 30A SIP	
F5	9100002234		FUSE BOLT DOWN 50A SIP	
IB	56116477		IBUTTON-PROBE	
M1	9100000874		REDUCTION GEARMOTOR 450W 24V PKD	[1]
M1	9100001860		MOTOR ELECTRIC 350W 24V SIP	[2]
M2	9100000823		Zuigmotor 24V 280W PKD	
M3	9100000921		MOTOR ELECTRIC 200W 24V	
M4	9100002398		PUMP DETERG. MIX PERISTALTIC 24V SIP	
M5	9100000805		ACTUATOR LINEAR 24V DC STRK 120MM PKD	[1]
M5	9100000806		ACTUATOR LINEAR 24V DC STRK 98MM SIP	[2]
RV1	9100000837		POTENTIOMETER 5K PKD	
SW1	9100000893		SENSOR WATER LEVEL SIP	
USB	9100002403		USB PORT KIT	

## Part Notes:

- [1] - FOR DISC VERSION  
 [2] - FORREV VERSION



# PL RECOMMENDED SPARE PARTS

SC500I 53D B FULL PKG NIL

2017.11.02

2018.12.12

---

# PL RECOMMENDED SPARE PARTS

SC500I 53D B FULL PKG NIL

2017.11.02

2018.12.12

Pos.	Artikelnummer	Hoeveelheid	Omschrijving	Notes
NW	910000829	1	Elastische BEn Verlengkabel	
NW	910000810	1	Zuigmond rubbers 740MM 29" rubber	
NW	910000490	1	Zuigmond rubbers 740MM 29" PU	
NW	910000060	1	Zuigmond rubbers 740MM 29" rood rubber	
NW	910000920	1	CARBON BRUSHES W/HOLDER KIT	
NW	9098376000	1	Koolborstel kit 4st.	
OM	9100000794	1	Kabel Safety F Tank Set	
OM	9100000812	1	Afvoerslang L.876MM	
OM	9100000889	1	CLIP HOSE STOPPING 2 PCS SET	
OM	9100000816	1	Zuigslang L.1000MM 90	
OM	9100000904	1	MOTOR VACUUM 24V 280W CPL KIT	
OM	9100000819	1	GASKET BULB RUBBER L.1670MM PKD	
OM	9100000823	1	Zuigmotor 24V 280W PKD	
OM	9100000739	1	GASKETS VACUUM MOTOR KIT	
OM	9100002349	1	MOTOR ELECTRIC 200W 24V KIT	
OM	9100003038	1	WHEEL D.200X50 GREY-BLACK 2PCS SET	
OM	56116518	1	SMART KEY-USER Blauw	
OM	56116477	1	IBUTTON-PROBE	
OM	9100000902	2	BEARING FLANGE IGLIDUR 2 PCS SET	
OM	9100000855	1	SPRING GAS 30 KG PKD	
OM	9100000856	1	WHEEL CASTOR D.80 2 PCS SET	
OM	9100002396	1	SLEEVE RUBBER BLACK F SUCTION HOSE SIP	
OM	9100000903	1	WASHER THRUST GTM 3254-015 SIP	
OM	9100000796	1	HOSES SOLUTION SYSTEM KIT	
OM	9100000861	1	Filter inzet	
OM	9100000559	3	Wiel d.51 grijs PKD	
OM	9100000864	1	STRAP ELASTIC F REAR SQUEEGEE BLADE PKD	
OM	9100000865	1	STRAP FRONT SQUEEGEE BLADE PKD	
OM	9100001816	1	WHEEL BUMPER D.100 PLASTIC 2 PCS SET	
OM	9100000797	1	HOSES BRUSH DECK KIT	
OM	9100000870	1	Waterklep 24V PKD	
OM	9100000871	1	HUB BRUSH PKD	
OM	9100000874	1	REDUCTION GEARMOTOR 450W 24V PKD	
OM	9100001860	1	MOTOR ELECTRIC 350W 24V SIP	
OM	9100001283	1	CARBON BRUSHES W/HOLDER SIP	
OM	L08603949	1	Koolborstel set	
OM	9100000901	1	GASKET ADHESIVE 12X5 L.1090MM SIP	
OM	9100000798	1	GASKETS COVER KIT	
EOM	9100000803	1	Waterkraan haaks	
EOM	9098446000	1	Solutionslang	
EOM	909 6380 000	1	Klemset tank	
EOM	9100000899	1	FILTER WATER INLET PKD	
EOM	9100000805	1	ACTUATOR LINEAR 24V DC STRK 120MM PKD	
EOM	9100000806	1	ACTUATOR LINEAR 24V DC STRK 98MM SIP	
EOM	9100000808	1	RUBBER SOLUTION CAP PKD	
EOM	9100000703	1	Vulslang BR	
EOM	9100000827	1	MOTOR DRIVE 200W 24V PKD	
EOM	9100000820	1	HARNES VACUUM MOTOR SIP	
EOM	9100001875	1	SUPPORT FLOAT KIT	
EOM	9100000837	1	POTENTIOMETER 5K PKD	
EOM	9100002391	1	CONTROLLER DISPLAY SIP	
EOM	9100000845	1	HARNES CONTROL PANEL SIP	
EOM	9100002915	1	CONTROLLER GEBRUIKERSINTERFACE GEMONTEER	
EOM	9100002916	1	CONTROLLER USER INTERFACE MOUNTED SIP	
EOM	56116519	1	SMART KEY-SUPERVISOR Geel	
EOM	9100000860	1	FILTER WATER PKD	
EOM	9100000747	1	SQUEEGEE 730MM/29 PRE-ASSEMBLED PKD	
EOM	9100000868	1	VIBRATION DAMPING M8 60SH 2 PCS SET	

# PL RECOMMENDED SPARE PARTS

SC500I 53D B FULL PKG NIL

2017.11.02

2018.12.12

Pos.	Artikelnummer	Hoeveelheid	Omschrijving	Notes
EOM	9100000873	1	DECK BRUSH PKD	
EOM	56382991	1	KIT-ISOLATOR BOOST HD	
EOM	9100002397	1	CONTROLLER MAIN MACHINE SIP	
EOM	9100002232	1	HARNESS MACHINE SC500 SIP	
EOM	9100001863	1	HARNESS MACHINE SC500 20R B SIP	[1]
EOM	9100002117	1	CONNECTOR RED 120A PKD	
EOM	9100000888	1	Batterij lader O/B 24V 13A 100-230V PKD	
EOM	9100002398	1	PUMP DETERG. MIX PERISTALTIC 24V SIP	
EOM	9100000893	1	SENSOR WATER LEVEL SIP	

**Part Notes:**

[1] - SEE PI 2017-002

