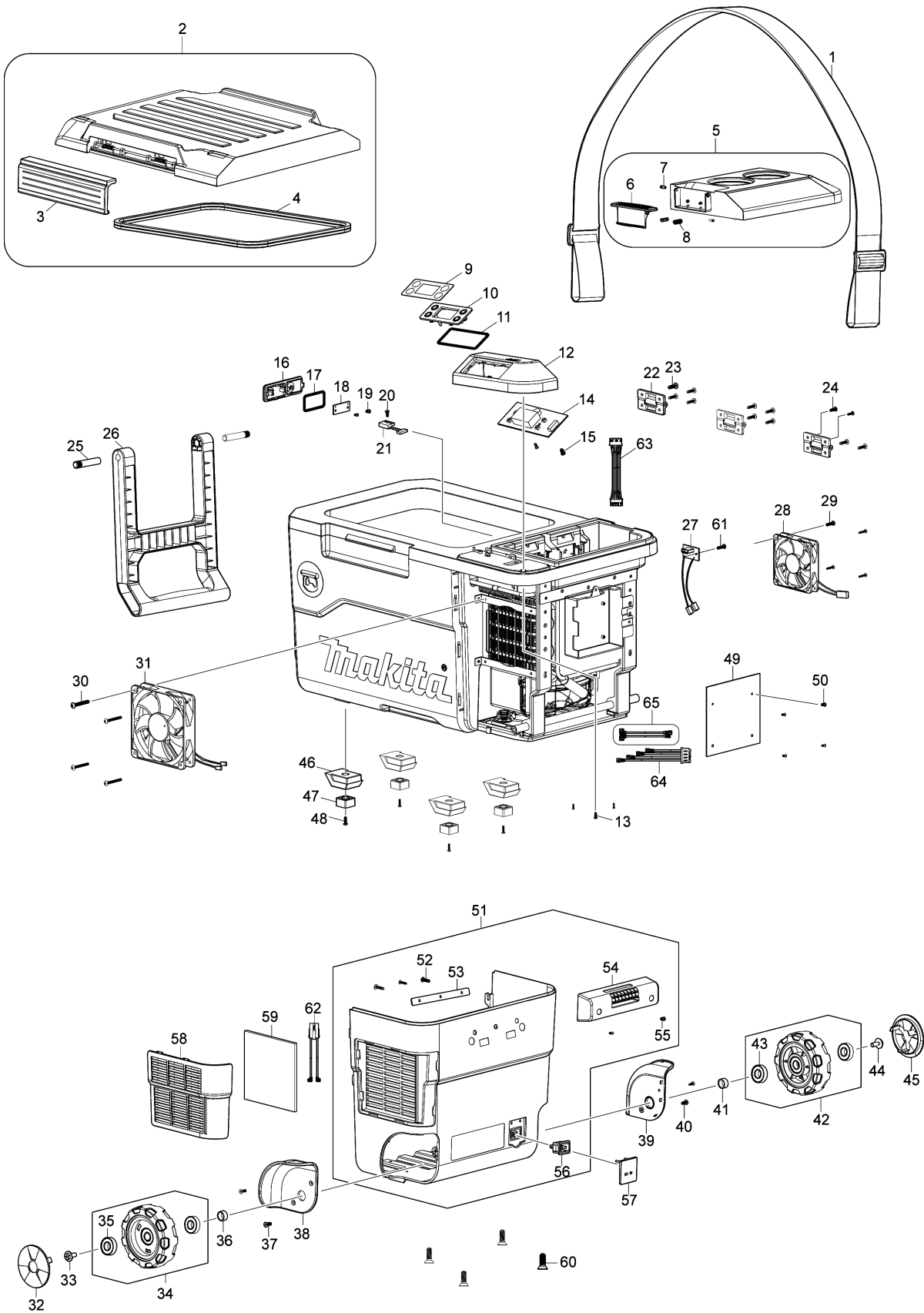


Model No.DCW180 CORDLESS COOLER & WARMER BOX



Model No.DCW180 CORDLESS COOLER & WARMER BOX

Item	Parts No.	Description	I/C	Qty	New/Old	Opt. 1	Opt. 2	Note
001	A-71093	SHOULDER BELT		1				
002	WL00000004	TOP COVER ASSY		1				
D10		INC. 3,4						
003	WL00000005	HANDLE A		1				
004	WL00000006	SEALING		1				
005	WL00000007	BATTERY COVER		1				
D10		INC. 6,7,8						
006	WL00000008	HANDLE B		1				
007	WL00000009	SHAFT 3MM (BATTERY BOX HANDLE)		2				
008	WL00000010	COMPRESSION SPRING 5MM		2				
009	WL00000072	CONTROL FILM B		1				
010	WL00000012	BUTTON PCB		1				
011	WL00000013	SEALING B		1				
012	WL00000014	CONTROL PANEL		1				
013	WL00000015	TAPPING SCREW 3X10		3				
014	WL00000016	CONTROL PCB		1				
015	WL00000017	TAPPING SCREW 3X8		2				
016	WL00000018	THERMOSTAT TOP COVER		1				
017	WL00000019	SEALING C		1				
018	WL00000020	LIGHT BOARD ASSY		1				
019	WL00000017	TAPPING SCREW 3X8		2				
020	WL00000015	TAPPING SCREW 3X10		1				
021	WL00000021	MAGNETIC SWITCH WITH CABLE		1				
022	WL00000022	HINGE		3				
023	WL00000023	TAPPING SCREW 4X16		10				
024	WL00000024	TAPPING SCREW 4X12		2				
025	WL00000025	SHAFT 10MM (DRAG HANDLE)		2				
026	WL00000026	DRAG HANDLE		1				
027	WL00000027	USB PCB WITH CABLE		1				
028	WL00000028	FAN (AIR OUTLET) WITH CABLE		1				
029	WL00000029	PAN HEAD SCREW M4X35		4				
030	WL00000029	PAN HEAD SCREW M4X35		4				
031	WL00000030	FAN (AIR INLET) WITH CABLE		1				
032	WL00000031	WHEEL COVER		1				
033	WL00000032	SCREW M6X16 WITH WASHER		1				
034	WL00000033	WHEEL ASSY		1				
D10		INC. 35						
035	WL00000034	BEARING FOR SHAFT		2				
036	WL00000035	SHAFT SLEEVE 12MM		1				
037	WL00000036	COUNTERSUNK TAPPING SCREW 4X12		2				
038	WL00000037	LEFT WHEEL COVER		1				
039	WL00000038	RIGHT WHEEL COVER		1				
040	WL00000036	COUNTERSUNK TAPPING SCREW 4X12		2				

Model No.DCW180 CORDLESS COOLER & WARMER BOX

Item	Parts No.	Description	I/C	Qty	New/Old	Opt. 1	Opt. 2	Note
041	WL00000035	SHAFT SLEEVE 12MM		1				
042	WL00000033	WHEEL ASSY		1				
D10		INC. 43						
043	WL00000034	BEARING FOR SHAFT		2				
044	WL00000032	SCREW M6X16 WITH WASHER		1				
045	WL00000031	WHEEL COVER		1				
046	WL00000039	FOOT		4				
047	WL00000040	FOOT PAD		4				
048	WL00000041	TAPPING SCREW 4X20		4				
049	WL00000042	POWER PCB ASSY		1				
050	WL00000017	TAPPING SCREW 3X8		4				
051	WL00000043	REAR COVER ASSY		1				
D10		INC. 52-56						
052	WL00000044	TAPPING SCREW 4X12		3				
053	WL00000045	HANDLE STRENGTHEN IRON		1				
054	WL00000046	LIFTED HANDLE R		1				
055	WL00000047	TAPPING SCREW 4X12		2				
056	WL00000048	DC IN SOCKET		1				
057	WL00000049	DC IN COVER		1				
058	WL00000050	DUST PROOF COVER		1				
059	WL00000051	FILTER SPONGE		1				
060	WL00000052	COUNTERSUNK TAPPING SCREW 4X18		4				
061	WL00000067	SCREW ST3X12		2				
062	WL00000068	POWER CONNECTION WIRE		1				
063	WL00000069	CONTROLLING PCB WIRE		1				
064	WL00000070	COMPRESSOR PCB WIRE		1				
065	WL00000071	COMPRESSOR INPUT WIRE		1				
A01	WL00000058	AC ADAPTOR ASSY C		1				
C10	WL00000063	AC POWER CORD		1				
A02	WL00000002	CIGAR LIGHTER DC 12-24V		1				
C10	WL00000056	FUSE		1				

Please order the parts with part number.

Print Date 11/3/2021