

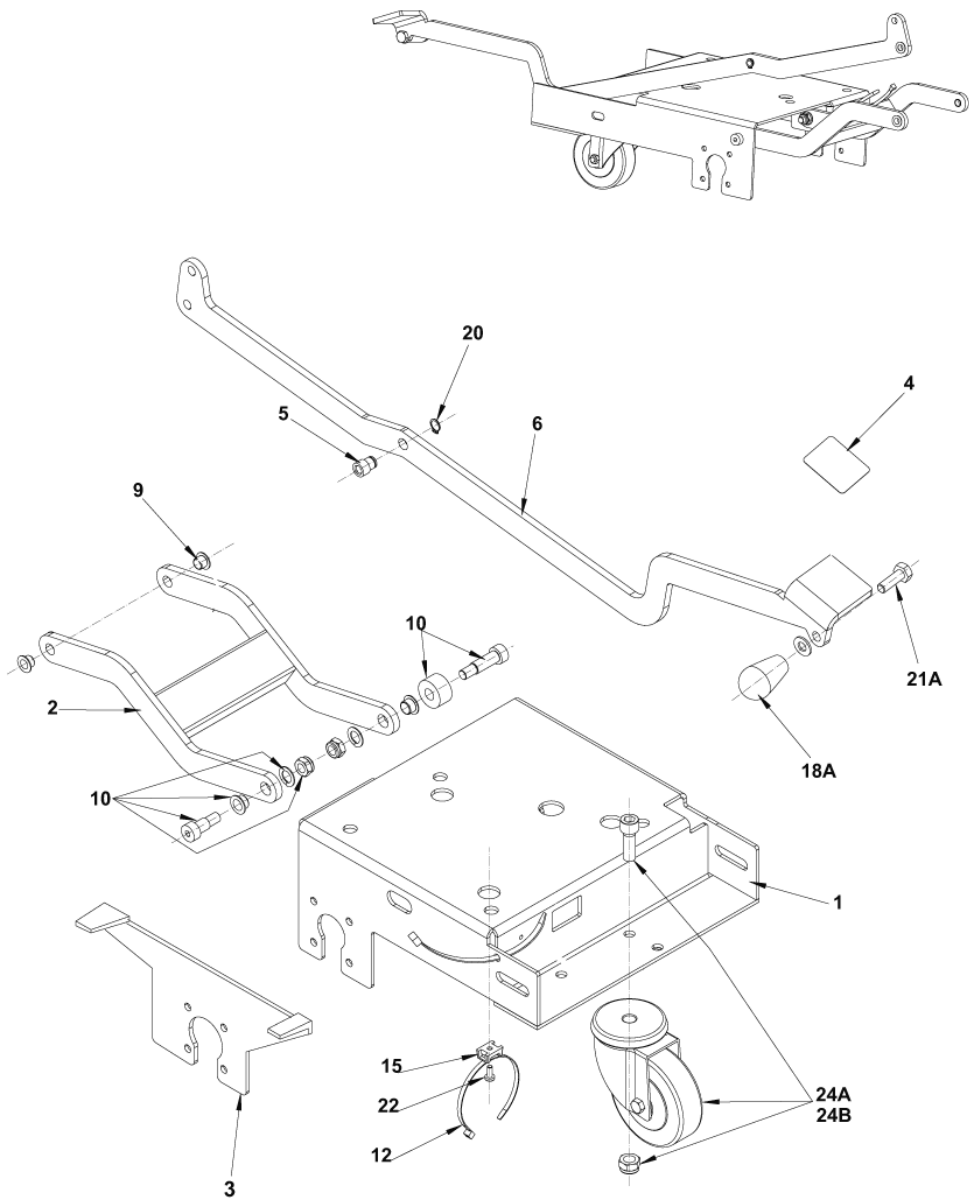
PARTS LIST



2020.06.30

TABLE OF CONTENTS

Chassis system	1
Wheels and traction	3
Handle assembly	5
Solution system	7
Squeegee system BA 551-551D-551CD	9
Squeegee system BA 611D before s.no.082115832	11
Brush system BA 551	13
Brush system BA 551D	15
Brushes system BA 551CD	17
Brushes system BA 611D	19
Accessories	21
Control panel system BA 551	23
Control panel system BA 551D-551CD-611D	25
Electrical components BA 551	27
Solution tank	29
Electrical components BA 551D-551CD-611D	31
Accessories BA 551-551D-611D	33
Accessories BA 551-551D-551CD-611D	35
Accessories BA 551D-551CD- 611D	37
Wiring diagram BA 551	39
Wiring diagram BA 551D-551CD-611D	41
Recommended spare parts	43
Recommended spare parts	45
Recommended spare parts	47
Accessories	49
Recovery tank	51
Squeegee system BA 611D after s.no.082115832	53



909 6753 000(5)2010-03

Resource notes:

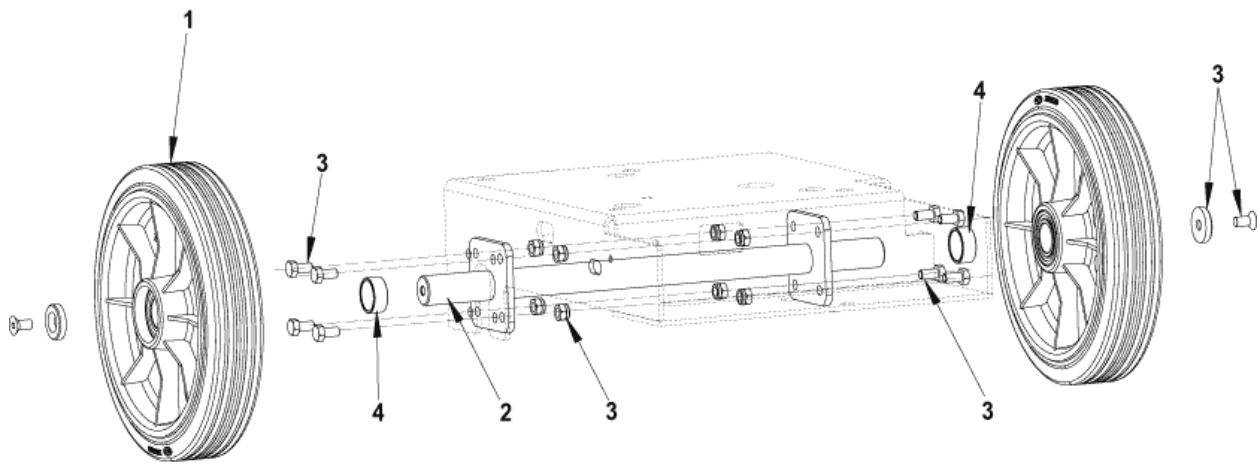
AFOR SCRUBBER WITH DRIVE BFOR SCRUBBER WITHOUT DRIVE

Pos.	Artikelnummer	Hoeveelheid	Omschrijving	Notes
1	909 6481 000	1	Chassis 55 LT	
2	909 6486 000	1	Lever, Brush Deck Lifting	
3	9098575000	1	Beugel Links	[1]
4	909 6539 000	1	Anti slipmat	
5	909 6540 000	1	BUSH FLANGED	
6	9100001782	1	KIT PEDALE LEVAGE DE BROSSE	
9	909 6594 000	2	Borstel flens	
10	909 6878 000	1	HARDWARE CHAS. FIXING KIT	
12	1466344000	1	Tie Kabel 4.8X 200 Zwart 10 Stuks Set	
15	909 6595 000	1	bevestigingsklem	
18A	909 6621 000	1	Knop	
20	33006051	1	RING D 12 UNI7435	
21A	33004010	1	Bout M10X30 hex HD F/THD ISO4017	
22	909 6337 000	1	SCREW M5X12 UNI7687	
24	9098947000	1	Mobiele wielkit RVS	[2]
24A	909 6880 000	1	Zwenkwiel Kit	
24B	909 6880 000	1	Zwenkwiel Kit	
25	9100000335	1	STRAP ANTISTATIC KIT	[3]

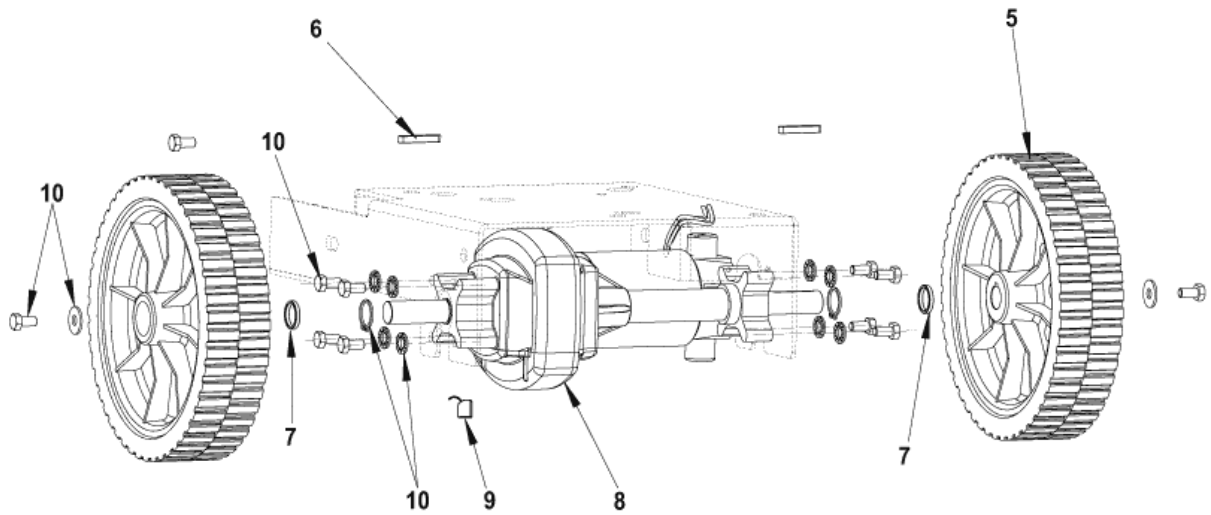
Part Notes:

- [1] - SEE TSB IT 2009-031 - SEE INST. INSTR. 9098576000
 [2] - OPTIONAL - WIDER WHELL FOR SPECIAL APPLICATIONS
 [3] - NOT SHOWN

**SENZA TRAZIONE / WITHOUT TRACTION
(BA 551)**



**CON TRAZIONE / WITH TRACTION
(BA 551 D / BA 551 DC / BA 611 D)**

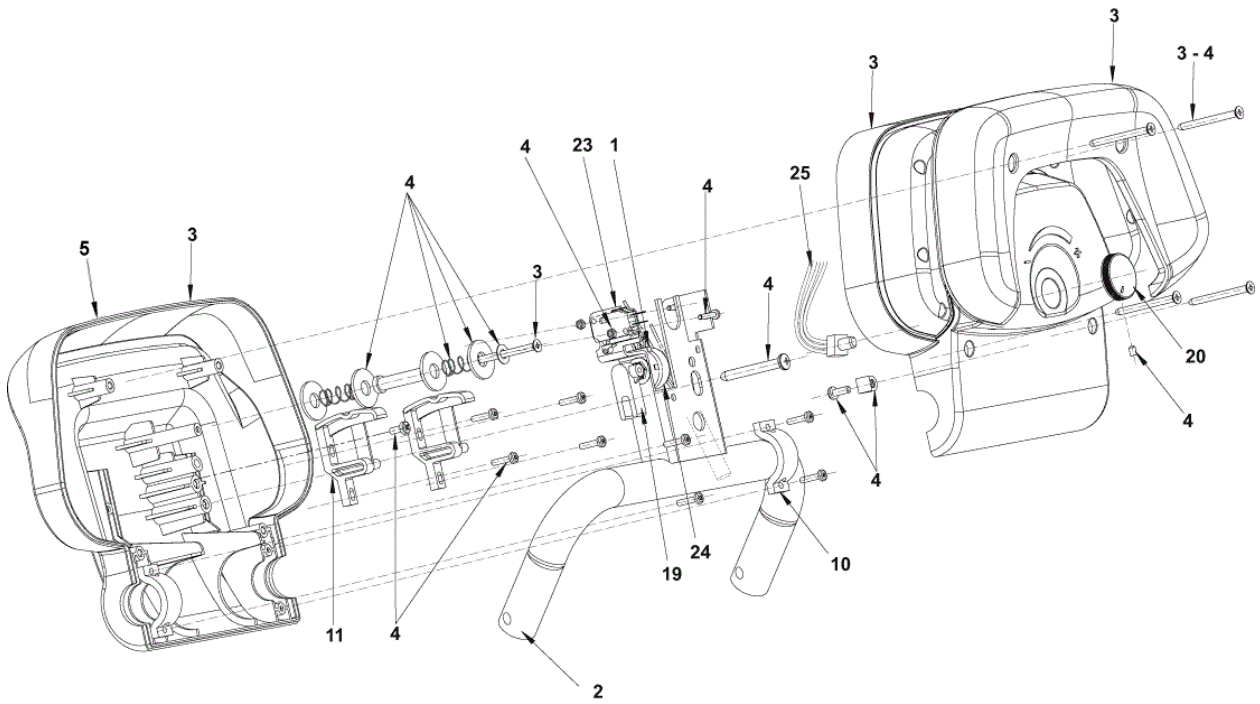


Pos.	Artikelnummer	Hoeveelheid	Omschrijving	Notes
1	909 6503 000	2	Voorwiel D. 250	
2	9100002135	1	SHAFT WHEELS PHOS. SIP	
3	9098299000	1	Hardware kit voor wielen	
4	9098452000	1	HARDWARE WHEELS SYSTEM KIT	
5	9099691000	1	Loopwielset (2)	[1]
5	9100000551	1	Kit wielen grijs-zwart Drive	[1]
5	9097026000	2	Voorwiel olie bestendig Ø 250 mm	[2]
6	146 0769 000	2	Sleutel 6X6X40 UNI6604A	
7	9100001161	1	SPACER 20.5X25X4 10 PCS SET	
8	909 6548 000	1	Aandrijfmotor 24V 200W	
9	145 5124 000	2	Koolborstel borstelmotor	
10	9098298000	1	Hardware aandrijfwiel	

Part Notes:

- [1] - included 2 wheels
 [2] - ITEM NO LONGER AVAILABLE

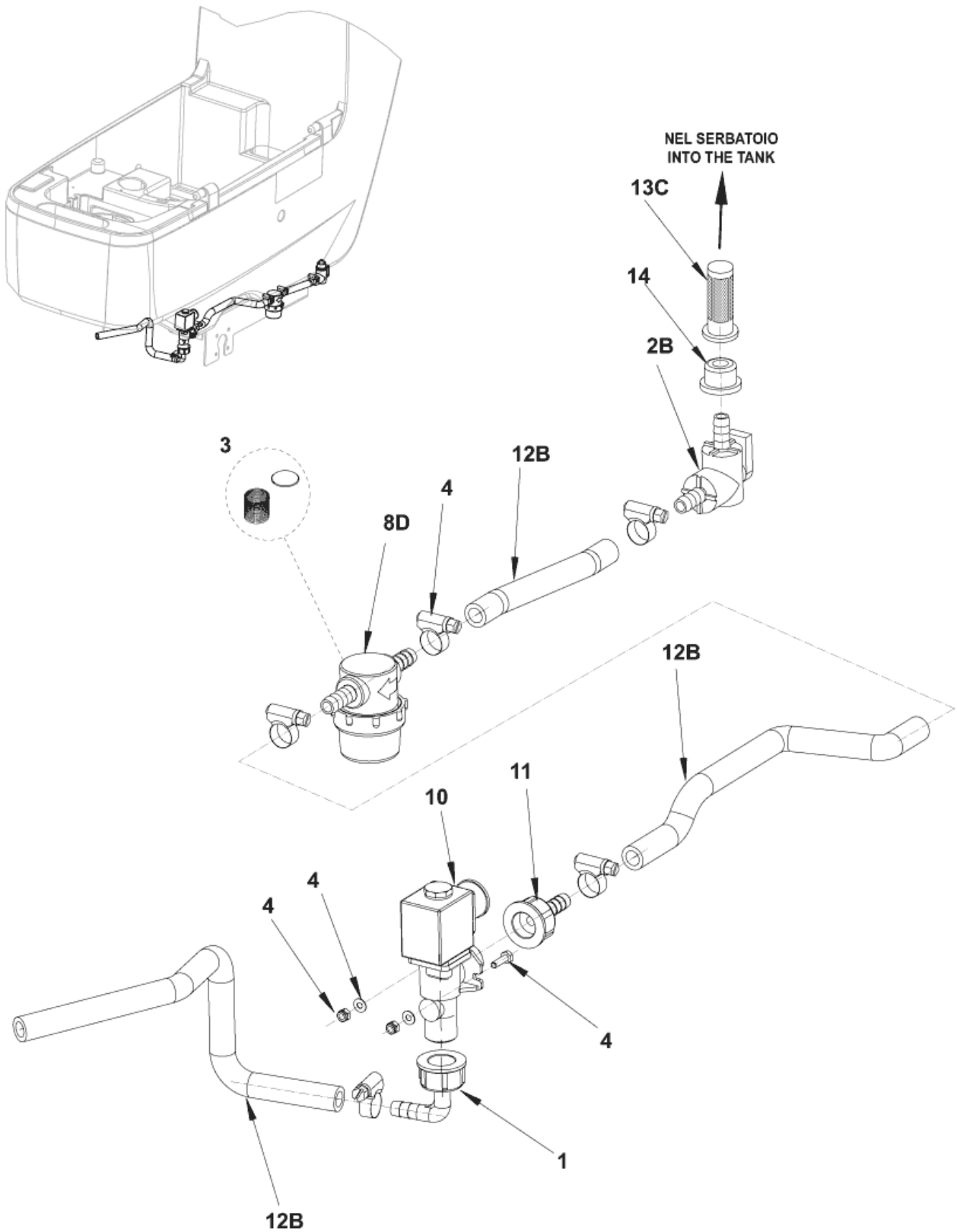
OPTIONAL



Pos.	Artikelnummer	Hoeveelheid	Omschrijving	Notes
1	909 6578 000	1	Kabel Handgreep	
2	909 6059 000	1	Duwbeugel BA 551/611	
3	9097622000	1	Schakelaar huis achter	
4	9098300000	1	Hardware Handle	
5	9098792000	1	Schakelaar huis	[1]
10	L08812279	2	Klem	
11	L08812282	2	Camerabediening	
19	909 6038 000	1	Stang potentiometer	
20	909 6471 000	1	Knop potentiometer	
23	9100000792	1	Microschakelaar 16a 250v	
24	9100001062	1	POTENTIOMETER 5K 40 PKD	
25	909 6544 000	1	Draadboom potentiometer	

Part Notes:

[1] - NOT SHOWN - SEE TSB IT 2010-060

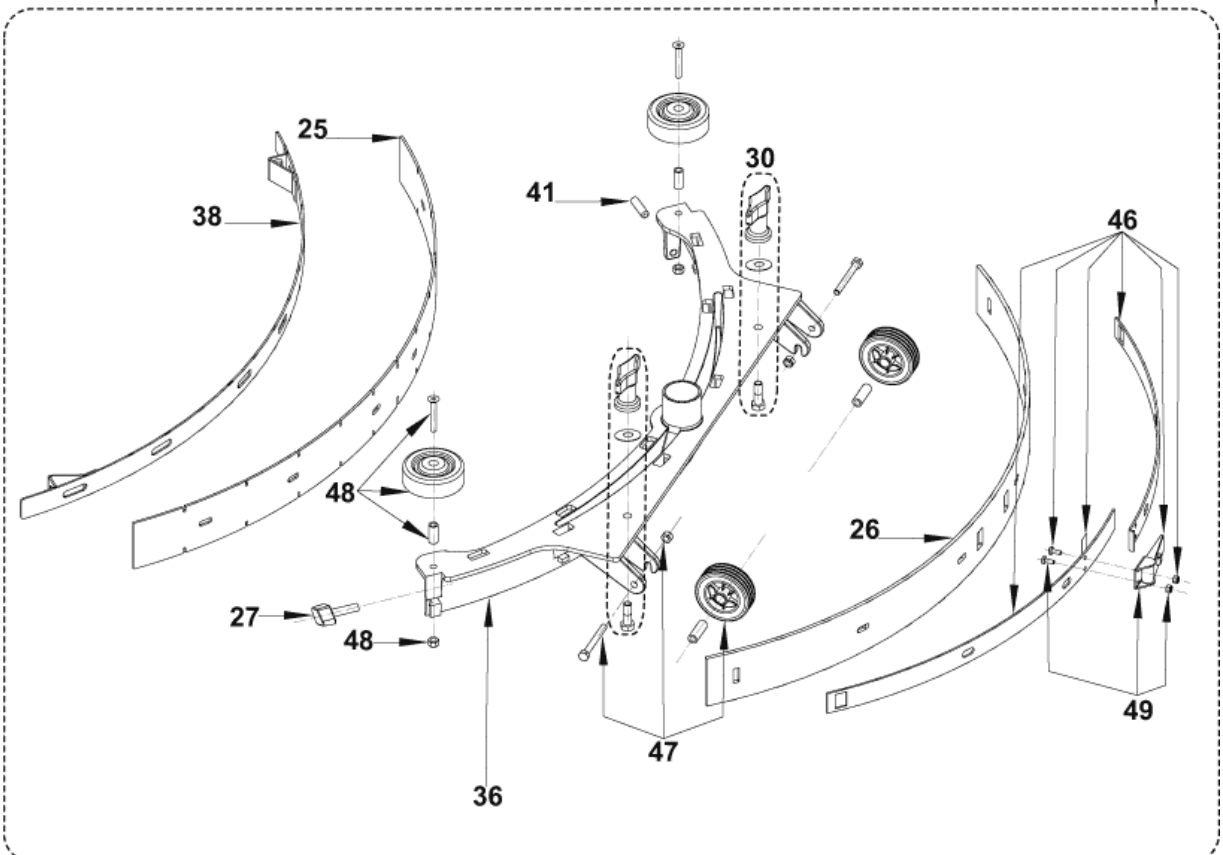
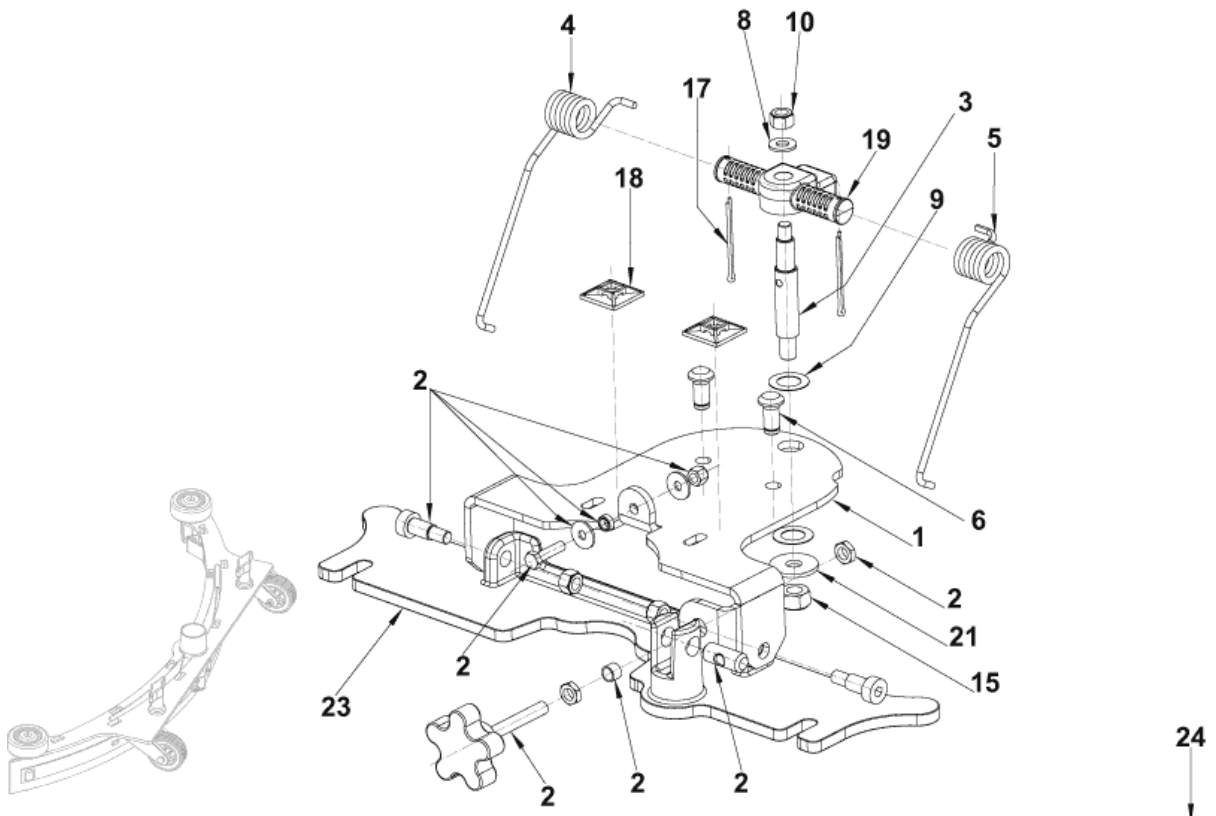


Pos.	Artikelnummer	Hoeveelheid	Omschrijving	Notes
00B	909 6805 000	1	HOSES SOLENOID VALVE KIT	[1]
1	9098777000	1	Houder rubber 90 grad. kit	
2B	9096994000	1	kraan 551-451-545	[2]
3	L08603893	1	Kit voor filter en pakking	
4	9098301000	1	Hardware Solution System	
8D	9097166000	1	Filterkit compleet	[3]
10	909 6555 000	1	Solenoid Valve 24V	
11	9100000106	1	Slangwartel 1/2 vrouwelijk	
12B	9096996000	1	Elleboogventiel w/pijp Kit 551-611	[2]
13C	9100001353	1	FILTER SOLUTION TANK PKD	[4]
14	909 5286 000	1	Dichtring	

Part Notes:

- [1] - NOT SHOWN - SEE TSB IT 2007-027a
- [2] - SEE TSB IT 2007-027a
- [3] - SEE TSB IT 2007-021
- [4] - OPTIONAL

SEE TSB IT 2007-015



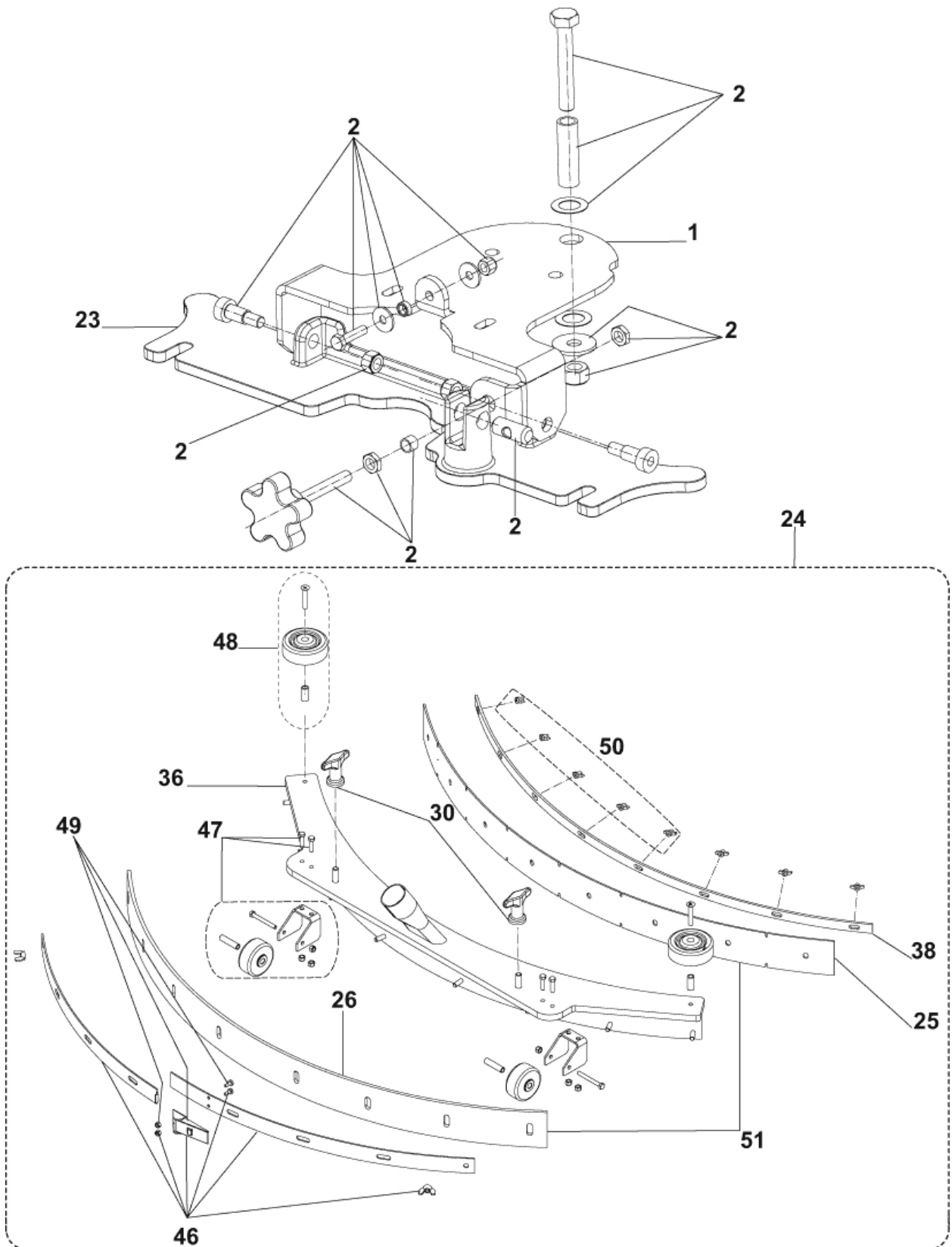
Resource notes:

POSITIONS 25-26: 909 6483 000 - 909 6484 000 included in the kit 909 6860 000

Pos.	Artikelnummer	Hoeveelheid	Omschrijving	Notes
00	9097548000	1	Kit Nylon ringen	[1]
1	909 6494 000	1	Steun zuigmond	
2	909 6885 000	1	Hardware squeegee kit	
3	909 6497 000	1	Pin van zuigmond	
4	909 6537 000	1	Veer zuigmond	
5	909 6538 000	1	Veer zuigmond	
6	909 6543 000	2	Pin, squeegee fixing	
8	33023208	1	WASHER M8 UNI6592 10 PCS SET	
9	L08238300	2	Ring	
10	33023574	1	NUT LOCK HEX M8 ISO10511 PCS 10 SET	
15	33005608	1	NUT SELF L. M10 UNI7474	
17	33005758	2	Splitpen 2x32 Uni1336	
18	909 6635 000	2	Houder platte band	
19	9100000515	1	Veer van zuigmond	
21	L08604251	1	Ring	
23	909 6045 000	1	Support Squeegee	
24	909 6851 000	1	Zuigmond cpl. 29 inch	
25	9100000279	1	Zuigrubberkit non marking 740MM/29	
27	9100000791	1	KNOB M8X30 THD STUD SS PKD	
30	9097637000	1	SQUEEGEE FIXING KIT	
36	909 6044 000	1	Bevestiging zuigmond	
38	909 6055 000	1	Voorste rubberhouder	
41	909 6600 000	1	Borgschroef M8x30 cup point	
46	909 6882 000	1	Bevestiging mat. zuigrubb	
47	909 6883 000	2	Wiel mondstuk kit	
48	909 6884 000	2	Rol bumper zuigmond	
49	909 6394 000	1	Klem zuigmond	

Part Notes:

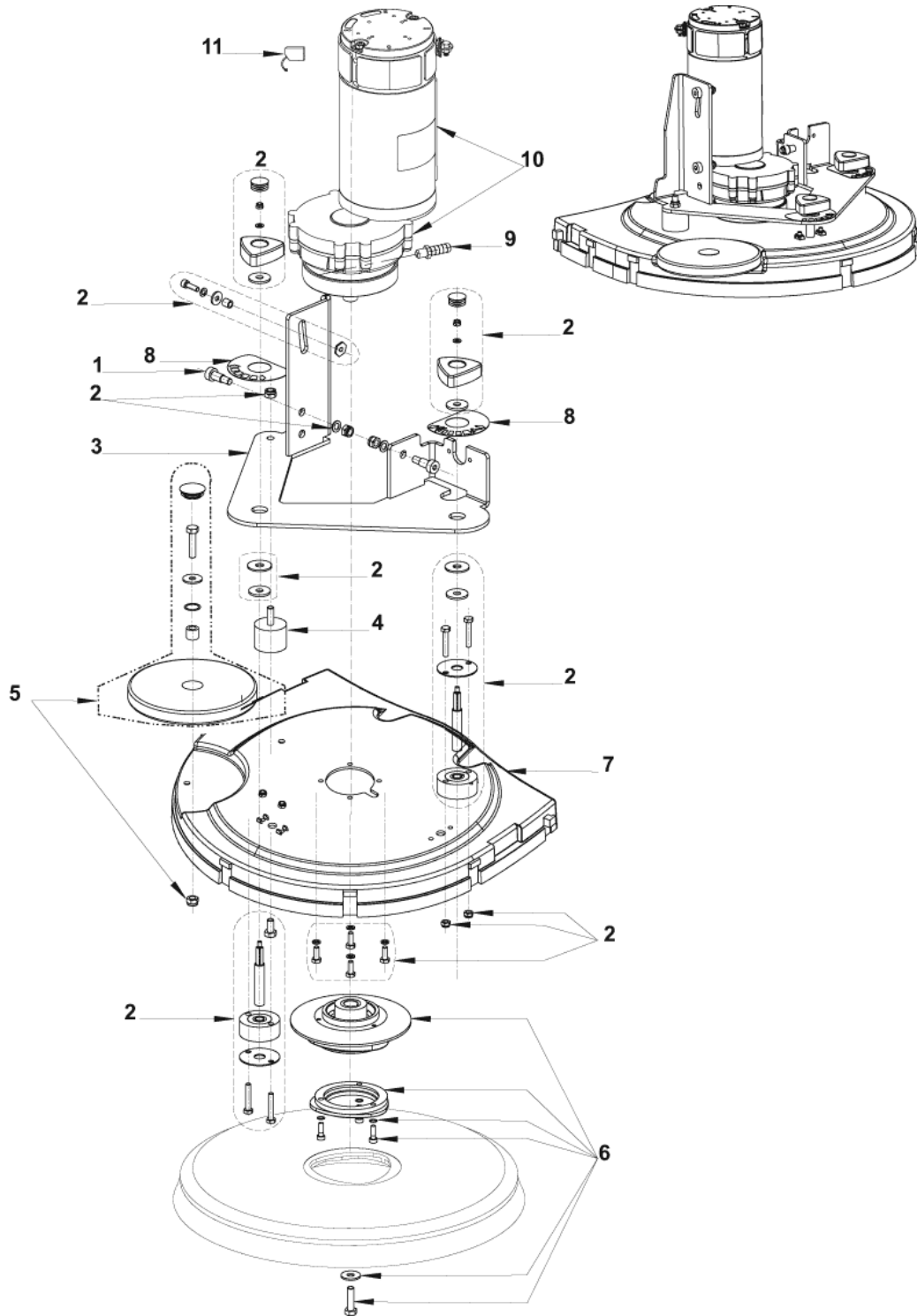
[1] - NOT SHOWN - SEE IT 2007-031



Pos.	Artikelnummer	Hoeveelheid	Omschrijving	Notes
00	909 6886 000	1	Zuigmond bevestiging set	[1]
1	909 6494 000	1	Steun zuigmond	
2	9098527000	1	Hardware Squ.Fixing Support	
23	909 6045 000	1	Support Squeegee	
24	9097539000	1	ZUIGMOND ALU 840 MM 33 INCH	
25	909 5629 000	1	Zuigrubber non-marking BA 600/650	[2]
30	9097637000	1	SQUEEGEE FIXING KIT	
36	9097198000	1	Weldment squeegee tool	
38	L08603831	1	Voorstrip	
46	909 6894 000	1	Bevestigingsmateriaal zuigset	
47	9100000573	2	wielkit voor zuigmond	
48	L08603880	2	Stootwiel van mondstuk	
49	909 6394 000	1	Klem zuigmond	
50	909 6356 000	2	Wing Nuts kit	
51	9100000280	1	Zuigrubberkit 840MM/33 non marking	

Part Notes:

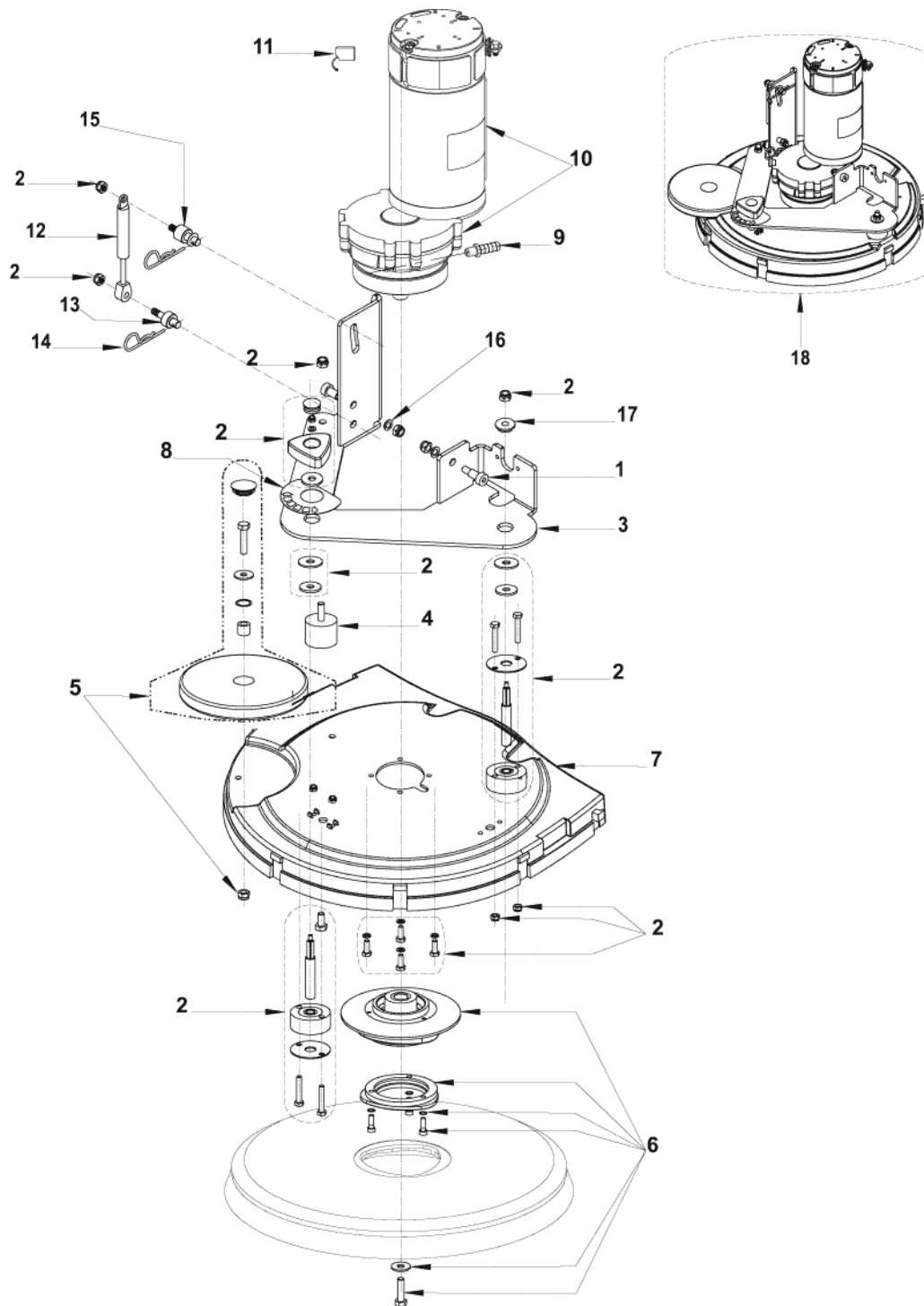
- [1] - NOT SHOWN
 [2] - OPTIONAL



Pos.	Artikelnummer	Hoeveelheid	Omschrijving	Notes
00	9097599000	1	Motorbeschermt kit	[1]
1	9100001160	1	SCREW SHOUL 10X16 M8 ISO7379 10 PCS SET	
2	9099419000	1	REGELINGSKIT BORSTELDECK	
3	909 6485 000	1	Motor steun	
4	9100000868	1	VIBRATION DAMPING M8 60SH 2 PCS SET	
5	909 6887 000	1	Bumper roller kit	
6	9097093000	1	Houder Polygonaal kit	
7	909 6042 000	1	Deck Bruch	
8	9097773000	1	Sticker kit BA 551/611	
9	L08601624	1	Verlooprubber	
10	9098308000	1	Reduction gearmotor 450W	[2]
10	1466147000	1	KEY 5X5X20 UNI6604A PKD	[3]
11	9098376000	1	Koolborstel kit 4st.	[4]
11	9098674000	1	CARBON BRUSHES KIT 4 PCS	[5]
11	909 5380 000	1	Koolborstelset (4pcs)Borstelmotor	[6]

Part Notes:

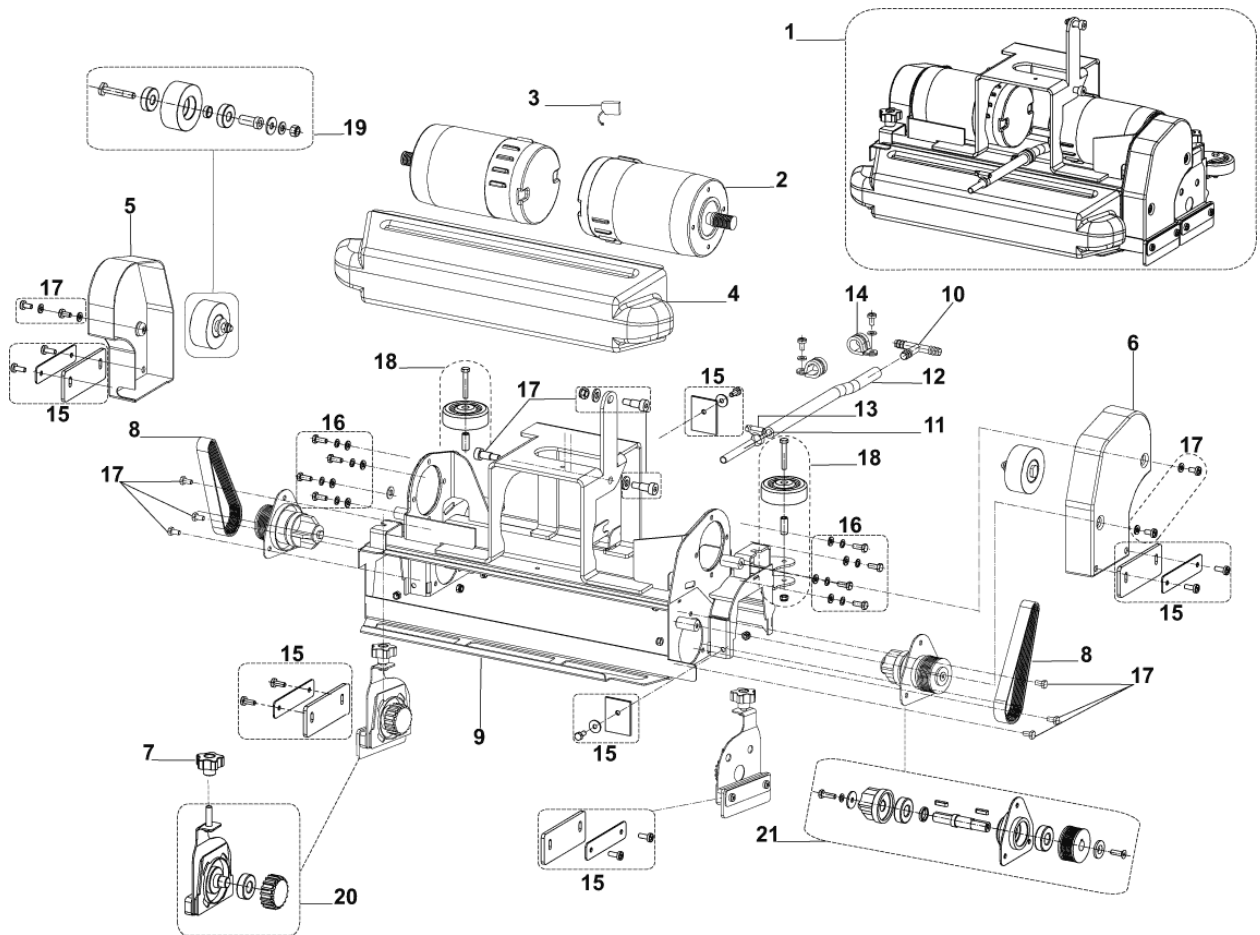
- [1] - SEE TSB-FC-2015-035
- NOT SHOWN - OPTIONAL - INST.INSTR. 9097600000 FOR 909 6546 000 - SEE TSB IT 2008-014
see TSB FC 2015-035 (COMING SOON)
- [2] - STARTING FROM SERIAL NUMBER 111534145
- [3] - NOT SHOWN - ALREADY INCLUDED IN REDUCTION GEARMOTOR
- [4] - FOR REDUCTION GEARMOTOR 9098308000 (AMER)
- [5] - FOR REDUCTION GEARMOTOR 9098352000 (VIPER)
- [6] - FOR REDUCTION GEARMOTOR 909 6546 000 (LEROY SOMER)
STOCK COVERS GUARANTEE



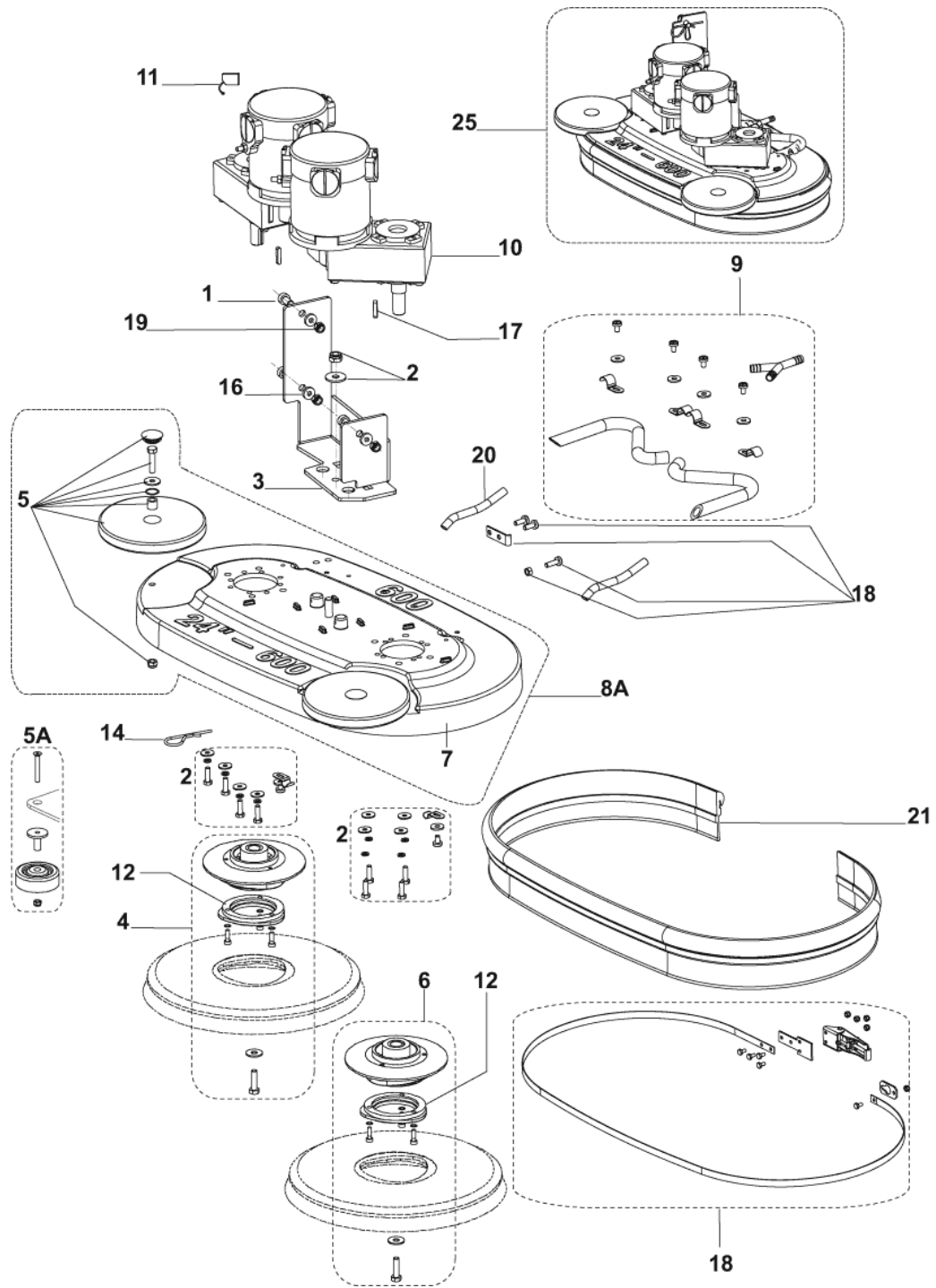
Pos.	Artikelnummer	Hoeveelheid	Omschrijving	Notes
00	9097599000	1	Motorbeschermt kit	[1]
1	9100001160	1	SCREW SHOUL 10X16 M8 ISO7379 10 PCS SET	
2	9099419000	1	REGELINGSKIT BORSTELDECK	
3	909 6485 000	1	Motor steun	
4	9100000868	1	VIBRATION DAMPING M8 60SH 2 PCS SET	
5	909 6887 000	1	Bumper roller kit	
6	9097093000	1	Houder Polygonaal kit	
7	909 6042 000	1	Deck Bruch	
8	9097773000	1	Sticker kit BA 551/611	
9	L08601624	1	Verlooprubber	
10	9098308000	1	Reduction gearmotor 450W	[2]
10	1466147000	1	KEY 5X5X20 UNI6604A PKD	[3]
11	9098376000	1	Koolborstel kit 4st.	[4]
11	909 5380 000	1	Koolborstelset (4pcs)Borstelmotor	[5]
12	909 6514 000	1	Gas veer	
13	909 6516 000	1	PIN LOWER	
14	1467692000	1	PIN SPRING COTTER 3X56 GALV. 2 PCS SET	
15	909 6515 000	1	PIN UPPER	
16	33023224	2	WASHER PLAIN M10 ISO7089 10 PCS SET	
17	909 6513 000	1	BUSH FLANGED	
18	909 6853 000	1	BRUSH DECK 530MM/21 KIT	

Part Notes:

- [1] - SEE TSB-FC-2015-035
- NOT SHOWN - OPTIONAL - INST.INSTR. 9097600000 FOR 909 6546 000 - SEE TSB IT 2008-014
see TSB FC 2015-035 (COMING SOON)
- [2] - STARTING FROM SERIAL NUMBER 111534145
- [3] - NOT SHOWN - ALREADY INCLUDED IN REDUCTION GEARMOTOR
- [4] - FOR REDUCTION GEARMOTOR 9098308000 (AMER)
- [5] - FOR REDUCTION GEARMOTOR 909 6546 000 (LEROY SOMER)
STOCK COVERS GUARANTEE



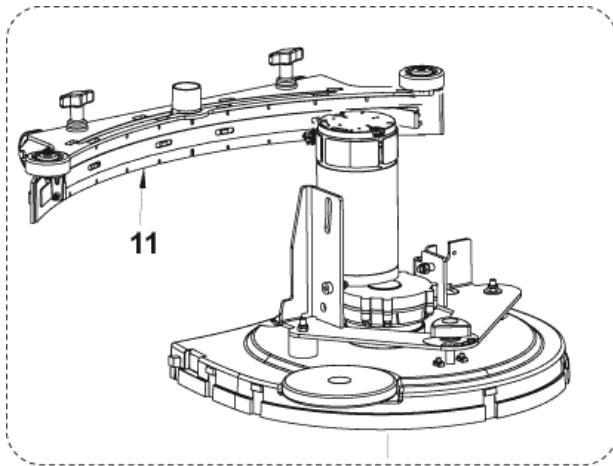
Pos.	Artikelnummer	Hoeveelheid	Omschrijving	Notes
1	909 6854 000	1	Borsteldek 651 C	
2	9096983000	2	Reduction Gearmotor	
3	1464432000	1	Koolborstel kit 4st	
4	909 5805 000	1	container dirt	
5	909 5818 000	1	Kettingkast beschermer voor riem links	
6	909 5817 000	1	Kettingkast beschermer voor riem rechts	
7	9100002017	2	KNOB M8 SIP	
8	909 5820 000	2	Snaar Poly 11J03818	
9	909 6518 000	1	Frame Cilindrische Deck	
10	145 4366 000	1	Houder Rubber	
11	909 5772 000	1	HOSE COPPER	
12	909 5870 000	1	HOSE PVC W/SPIRAL D.10X16 L.190MM SIP	
13	33023593	1	CLAMP HOSE 8-16/9 DIN3017 2 PCS SET	
14	909 5516 000	2	CLAMP HOSE D.18	
15	9098489000	1	Guards splash kit	
16	9098490000	1	HARDWARE BELT TENSIONER ROLLER KIT	
17	9098491000	1	HARDWARE CYL.DECK KIT	
18	9098488000	1	ROLLERS BUMPERS KIT	
19	9098485000	2	Riemspringer kit	
20	9098486000	2	Support cyl.brush kit	
21	9098487000	2	BORSTEL AANDRIJVING	
22	909 6620 000	1	HARNES CYL. BRUSH DECK	



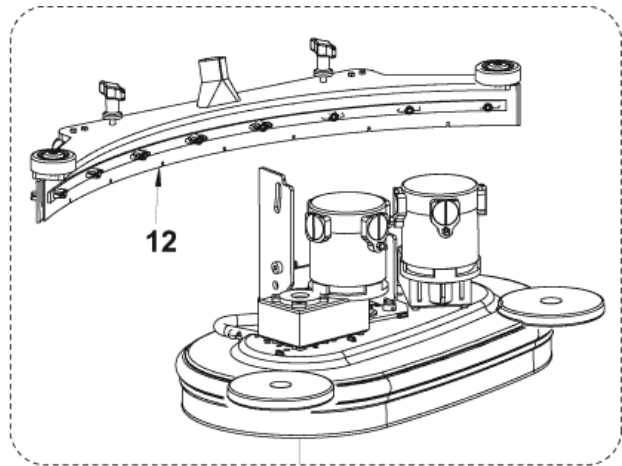
Pos.	Artikelnummer	Hoeveelheid	Omschrijving	Notes
00	909 6619 000	1	Draadboom	[1]
1	9100001160	3	SCREW SHOUL 10X16 M8 ISO7379 10 PCS SET	
2	9098496000	1	HARDWARE SCHROBDEK KIT	
3	909 6512 000	1	Steun borstel dek	
4	L08812589	1	Borstelhouder 450/530	
5	909 6887 000	2	Bumper roller kit	
5A	909 5894 000	1	Roller bumper Kit	[2]
6	L08812589	1	Borstelhouder 450/530	
7	909 5344 000	1	DECK BRUSH	
8A	9098525000	1	DECK BRUSH UPDATING KIT	[3]
9	909 6891 000	1	Waterslang dubbele borste	
10	9100000678	2	Reductiemotor 350W 24V	[4]
11	909 6893 000	2	Koolborstelkit 4 stuks	
12	L08812480	2	Flens borstel BA 450/530	
14	1467692000	1	PIN SPRING COTTER 3X56 GALV. 2 PCS SET	
16	33023224	3	WASHER PLAIN M10 ISO7089 10 PCS SET	
17	1466146000	2	Spie 5X5X25 UNI6604A PKD	
18	909 5398 000	1	Spatrandbevestigingskit	
19	33023574	1	NUT LOCK HEX M8 ISO10511 PCS 10 SET	
20	909 5228 000	2	Slang	[5]
21	909 5224 000	1	Spatrand BA 650	
25	909 6855 000	1	Borsteldeck Cpl. 511-611 610MM/24 KIT	

Part Notes:

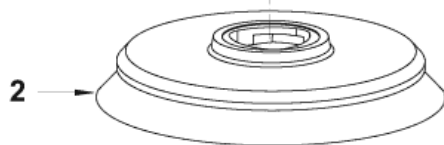
- [1] - NOT SHOWN
- [2] - FOR PREVIOUS BRUSH DECK SYSTEM
- [3] - F UPDATING PREVIOUS BR.DECK SYSTEM
- [4] - SEE TSB IT 2011-070
- [5] - GUARANTEE DATE EXPIRED



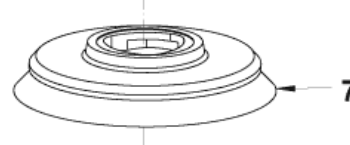
1



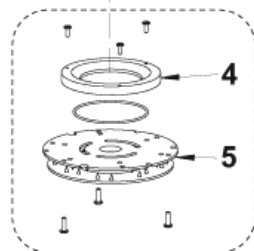
6



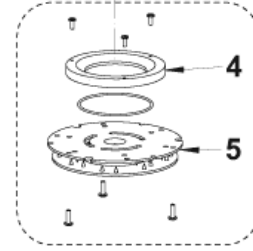
2



7

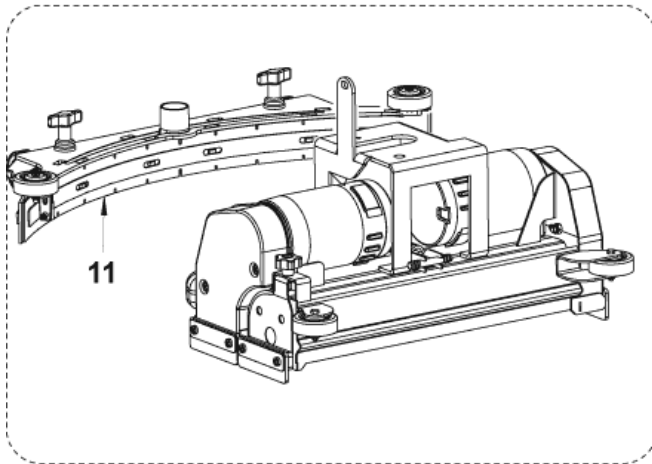


3

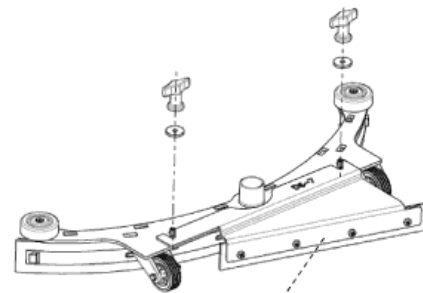


8

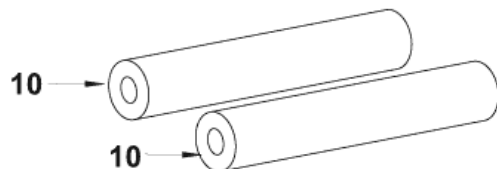
9



11

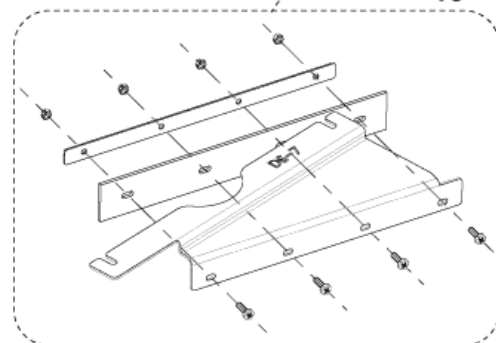


13



10

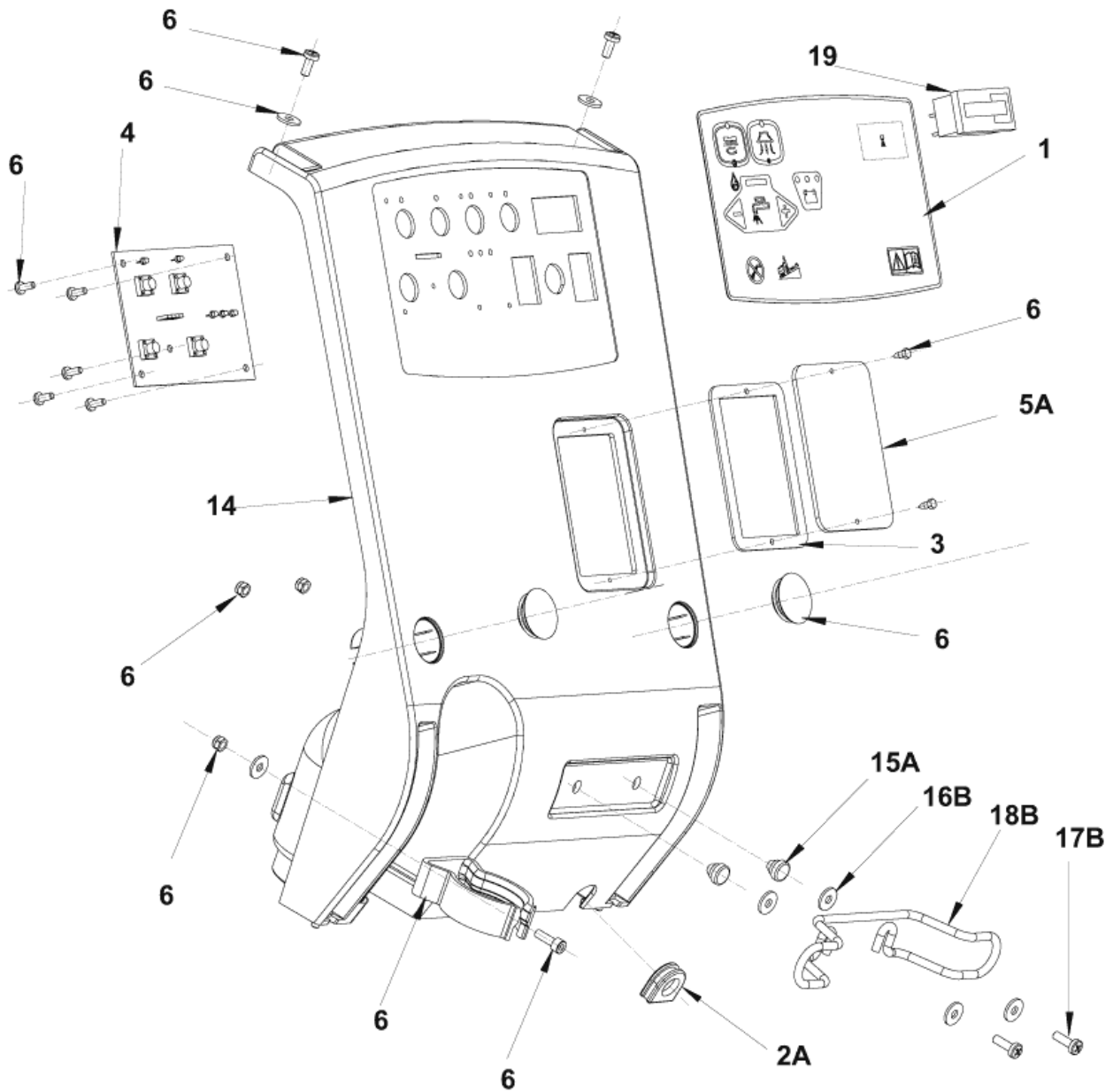
10



Pos.	Artikelnummer	Hoeveelheid	Omschrijving	Notes
1	909 6848 000	1	DECK BRUSH 530MM/21 KIT WITH	
2	L08837028	1	Borstel 21 inch 530mm midlite grit 180	
2	L08837065	1	Borstel 21 inch magna grit 530mm	
2	L08837067	1	Borstel 21 inch Aglite grit 530mm	
2	L08837026	1	Borstel 21 inch Prolite 530mm	
2	L08837025	1	Borstel 21 inch Prolene 530mm	
2	L08837066	1	Borstel 21 inch Dynagrit 530mm	
2	L08837029	1	Borstel 21 inch 530mm mid grit 240	
2	L08837027	1	Borstel 21 inch union mix 530mm	
3	L08837018	1	Padhouder 530mm/21 inch Centre Lock	
4	L08603966	1	Nylon ring	
5	56505195	1	Sluitplaat padhouder	
6	909 6850 000	1	DECK BRUSH 610MM/24 KIT	
7	L08603874	2	Borstel 12 inch prolite 305mm	
7	L08603873	2	Borstel 12 inch 305mm mid grit 240	
7	L08603842	2	Borstel 12 inch Prolene. 305mm	
7	L08603872	2	Borstel 12 inch 305mm midlite grit 180	
7	L08603875	2	Borstel 12 inch Union mix 305mm	
8	9099670000	2	Padhouder 12 inch 305 mm	
9	909 6849 000	1	DECK BRUSH 510MM/20 CYL KIT	
10	909 5823 000	2	Borstel cyl. 20 inch Polyprop. 510mm 0.4	
10	909 5825 000	2	Borstel cyl. 20 inch Supergrit 510mm 0.6	
10	909 5824 000	2	Borstel cyl. 20 inch nylon 0,45	
11	909 6851 000	1	Zuigmond cpl. 29 inch	
11	L08603878	1	Mondstuk compleet BA 530	
12	9097539000	1	ZUIGMOND ALU 840 MM 33 INCH	
13	9098343000	1	Third blade squeegee kit	[1]

Part Notes:

[1] - SEE INST. INSTR. 9098337000



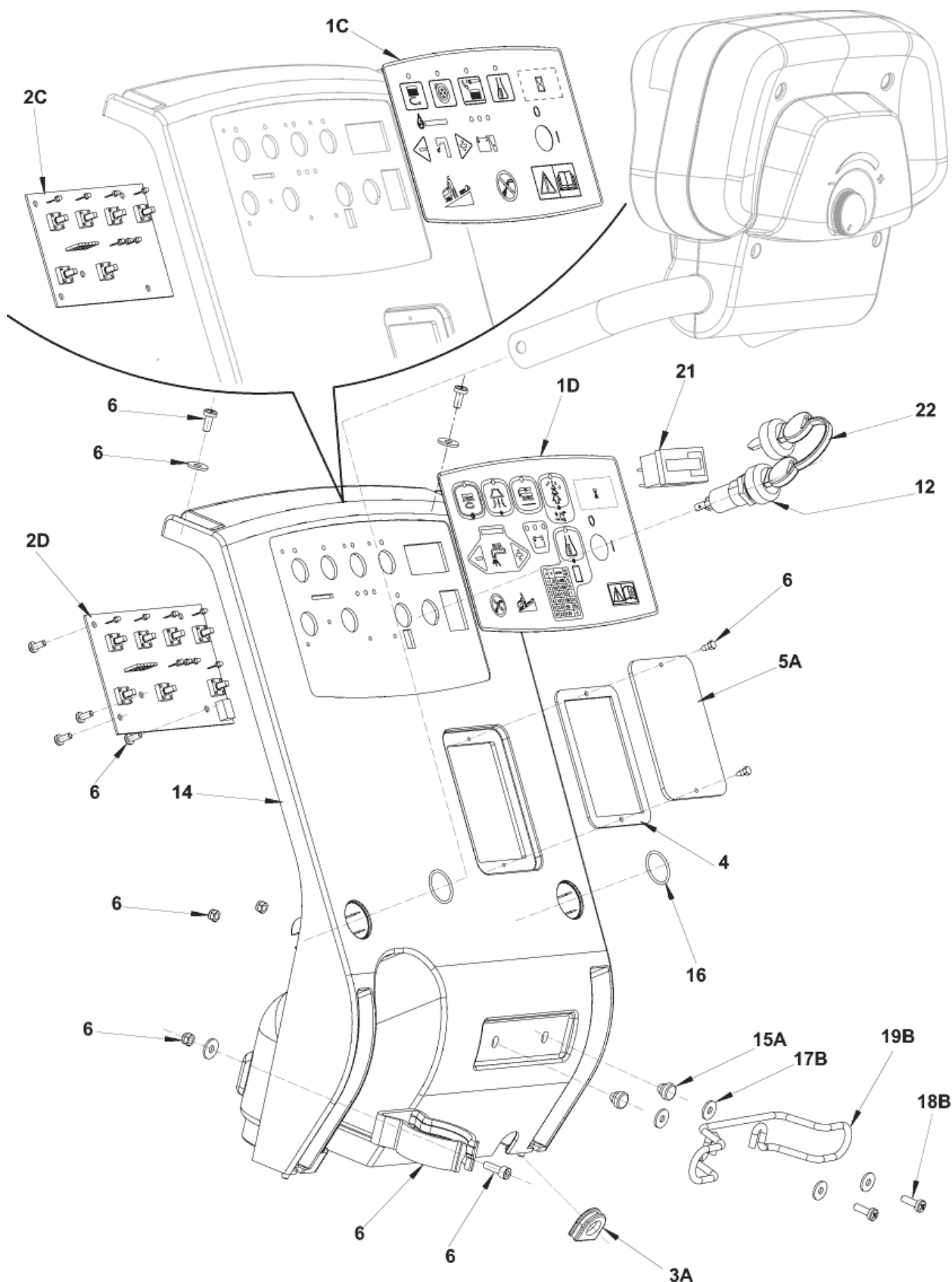
Resource notes:

A : ONLY VERSION WITHOUT BATTERY CHARGER ON BOARD B : ONLY VERSION WITH BATTERY CHARGER ON BOARD

Pos.	Artikelnummer	Hoeveelheid	Omschrijving	Notes
1	9098635000	1	Decal control panel	
2A	909 6542 000	1	dichtingsring	
3	909 6545 000	1	Gasket	
4	909 6552 000	1	Electronic Card	[1]
4	9100000174	1	Printplaat functies	[2]
5A	9100001065	1	COVER F INSPECTION PLATE BLACK PKD	
6	9100001891	1	HARDWARE CONTROL PANEL KIT	
14	9097649000	1	Kap Control paneel	
15A	909 6553 000	2	FEET RUBBER	
16B	1467686000	1	WASHER PLAIN M5X15 ISO7093 10 PCS SET	
17B	146 2090 000	2	Vijs M5x16 uni7687	
18B	1466317000	1	Support Kabel Set	
19	9096951000	1	Urenteller 24V	[3]
20	9100000878	1	FUSE BLADE 3A PKD	[4]
21	1466207000	1	PROGRAMMER F ELECTRONIC CARDS SIP	[4]

Part Notes:

- [1] - BEFORE SERIAL NO. 072115094
- [2] - STARTING FROM SERIAL NO. 072115094
- [3] - SEE INST. INSTR. 9096952000
- [4] - NOT SHOWN



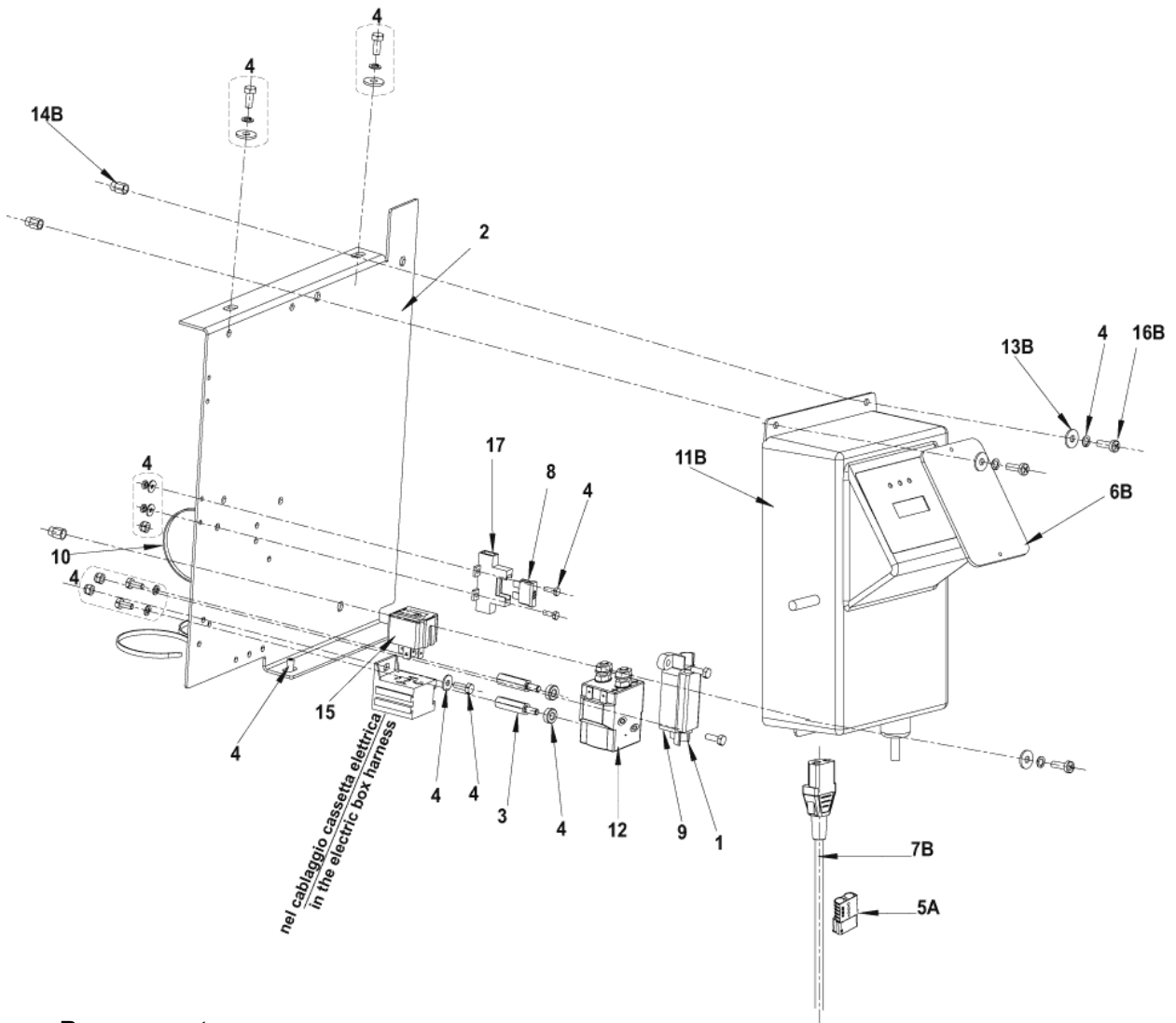
Resource notes:

A : ONLY VERSION WITHOUT BATTERY CHARGER ON BOARD B : ONLY VERSION WITH BATTERY CHARGER ON BOARD POSITION 2 909 6499 000 ONLY FOR MACHINE BEFORE S/N BA 531D 072014255 - BA 451 072115094

Pos.	Artikelnummer	Hoeveelheid	Omschrijving	Notes
00	9100000878	2	FUSE BLADE 3A PKD	[1]
00	909 6678 000	1	FUSE 20A GLASS DELAYED	[2]
1C	909 6057 000	1	Decal Control Panel	[3]
1D	9100001243	1	Display kaart	[4]
2	909 6499 000	1	Printplaat BA551-531-611	[5]
2C	9100000175	1	Printplaat duwpaneel BA	[6]
2D	9100000179	1	Printplaat Functies	[4]
3A	909 6542 000	1	dichtingsring	
4	909 6545 000	1	Gasket	
5A	9100001065	1	COVER F INSPECTION PLATE BLACK PKD	
6	9100001891	1	HARDWARE CONTROL PANEL KIT	
12	9100001354	1	Kontaktslot	
14	9100001360	1	COVER GREY F ELECTRIC COMP. BOX PKD	
15A	909 6553 000	2	FEET RUBBER	
16	909 6675 000	2	O-ring 132	
17B	1467686000	1	WASHER PLAIN M5X15 ISO7093 10 PCS SET	
18B	146 2090 000	2	Vijs M5x16 uni7687	
19B	1466317000	1	Support Kabel Set	
21	9096951000	1	Urenteller 24V	[7]
22	146 2887 000	1	Sleutel 2 stuks	

Part Notes:

- [1] - NOT SHOWN
- [2] - STOCK COVERS GUARANTEE
NOT SHOWN
- [3] - VALID FORBA 551D, BA551CD, BA 611D -UNTIL S/N 102013837 - ref. ECO 3706
- [4] - VALID FORBA 551D, BA551CD, BA 611D -STARTING FROM S/N 102013838 - ref. ECO 3706 EcoFlex
- [5] - UNTIL S/N 072014254
- [6] - STARTING S/N 072014255
VALID FORBA 551D, BA551CD, BA 611D -UNTIL S/N 102013837 - ref. ECO 3706
- [7] - SEE INST. INSTR. 9096952000



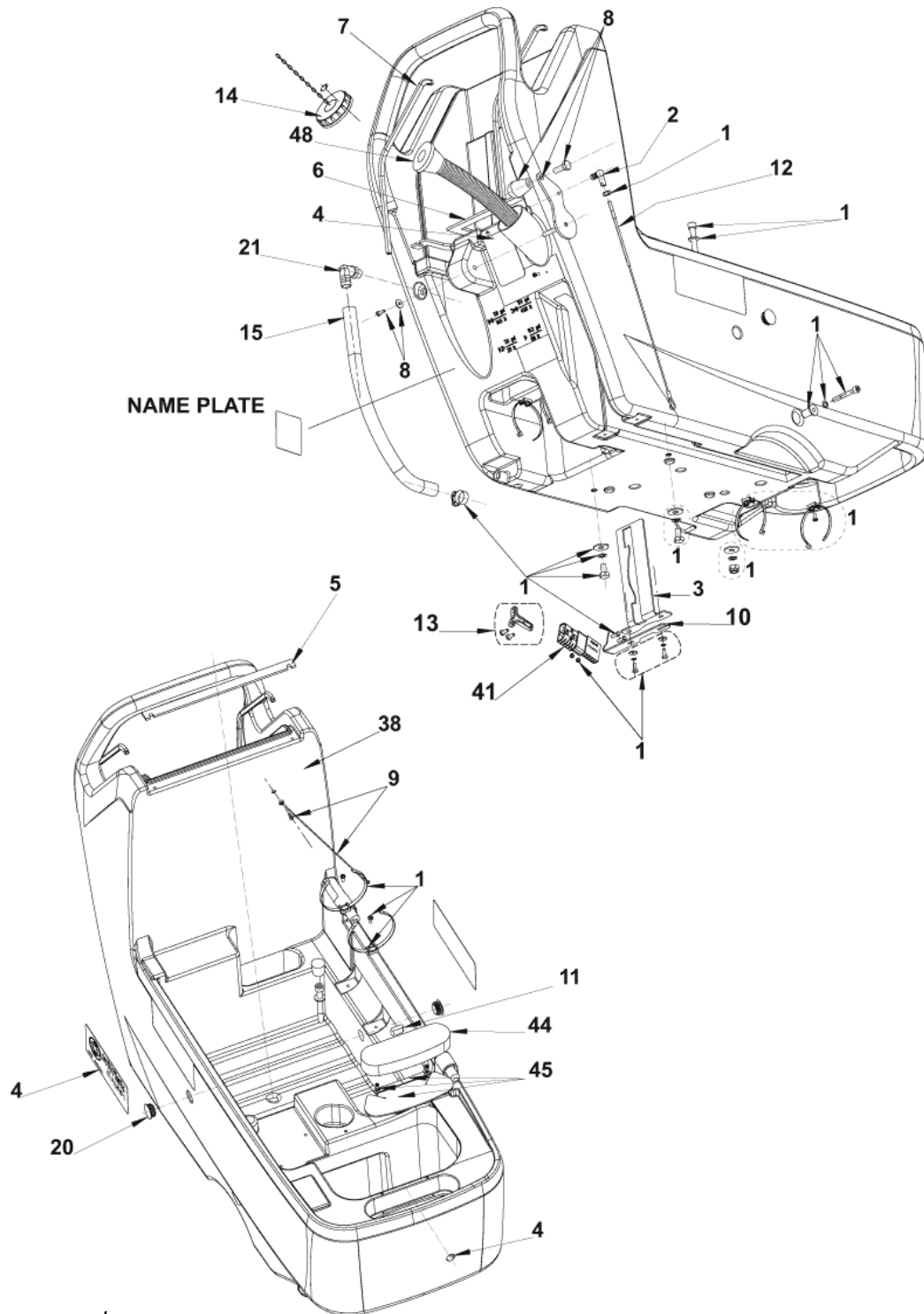
Resource notes:

A : ONLY VERSION WITHOUT BATTERY CHARGER ON BOARD B : ONLY VERSION WITH BATTERY CHARGER ON BOARD

Pos.	Artikelnummer	Hoeveelheid	Omschrijving	Notes
00	909 6613 000	1	Kablering zuigmotor	
00	909 6614 000	1	HARNESS MACHINE	[1]
00	909 6616 000	1	HARNESS ELECTRIC BOX	[2]
00	909 6614 000	1	HARNESS MACHINE	[2]
00	9096963000	1	HARNESS ELECTRIC BOX	[3]
00	9097590000	1	Kabel Voor Batterij	
00	9100001950	1	Batterij bekabeling	
00	9096961000	1	HARNESS MACHINE	[3]
1	145 8046 000	1	Houder	
2	909 6498 000	1	SUPPORT ELECTRIC COMP.	
3	909 6676 000	2	RING M4 L25	
4	9098303000	1	HARDWARE ELECTRIC SYSTEM KIT	
5A	9100002117	2	CONNECTOR RED 120A PKD	
6B	9100001064	1	COVER F INSPECTION PLATE TRANSP. PKD	
7B	9096914000	1	Aansluitsnoer Met Us Stekker V. Lader Ba	
7B	9100000790	1	Snoer 1000 mm Met Eu Stekkers	
7B	1466318000	1	Verlengkabel Uk Plug L.2000 mm SIP	
8	145 8513 000	1	Zekering 30A P365	
9	145 3824 000	1	Stripzekering 40A R1500B	
10	145 1449 000	3	Tie Kabel 3.6 X 140 Zwart	
11B	9098297000	1	Lader Inbouw 24V 13A	
12	9097208000	1	SWITCH ELECTROMAGNETC 24V	
13B	33023396	1	WASHER PLAIN M6X12 ISO7089 10 PCS SET	
14B	145 6132 000	3	INSERT M5	
15	909 6622 000	1	Relais 24v 40Ah	
16B	1466964000	1	SCREW M5X20 PAN HD ISO7045 10 PCS SET	
17	1467035000	2	HOLDER FUSE THERMOPL. UL 94-V0 PKD	

Part Notes:

- [1] - GUARANTEE DATE EXPIRED
- [2] - BEFORE S. NO. 070503008
GUARANTEE DATE EXPIRED
- [3] - STARTING FROM SERIAL NO. 070503008



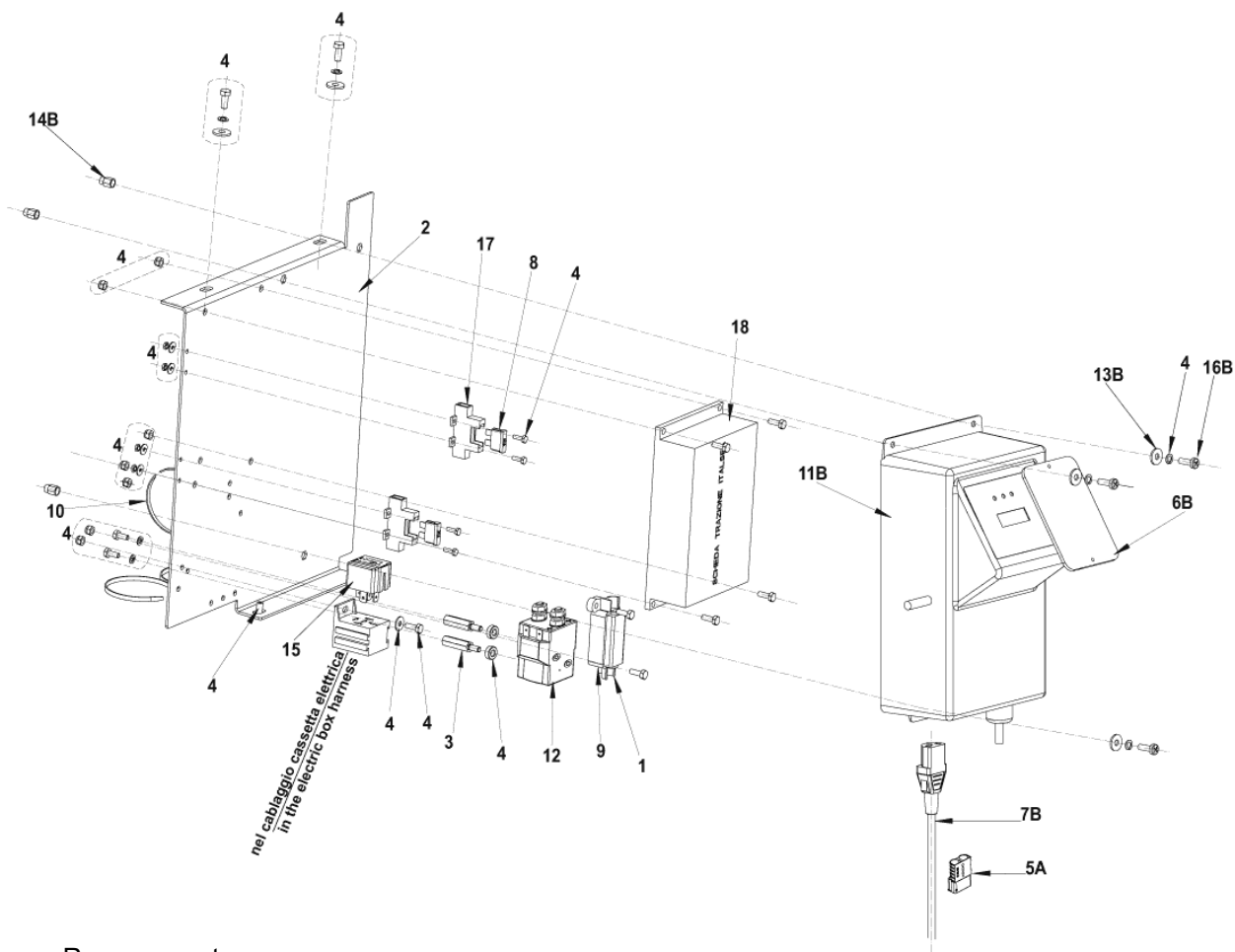
Resource notes:

POSITION 12 9098675000 includes also position 2. POSITION 0: CODE 9098575000 VALID FOR DRIVE VERSION ONLY

Pos.	Artikelnummer	Hoeveelheid	Omschrijving	Notes
00	9098575000	1	Beugel Links	[1]
1	9098265000	1	Bevestigingskit tank	
3	909 6493 000	1	Steun Pedaal	
4	9097773000	1	Sticker kit BA 551/611	
4	9100001266	1	DECALS KIT BEARCAT 20TD	[2]
5	909 6596 000	1	Pakking	
6	909 6597 000	1	Pakking	
7	909 6892 000	2	Pakking L 960	
8	9097630000	1	Bevestigingsmat. hendel	
9	909 6874 000	1	Kabel Tank Set	
10	909 6649 000	1	BRACKET CONNECTOR SUPPORT	
11	9100001364	1	CAP RUBBER BLACK SIP	
12	9098675000	1	Kabel Zuigmond Kit	[3]
13	9100000885	1	HANDLE F BATTERY CONNECTOR SIP	
14	909 6554 000	1	Kap met ketting	
15	909 6521 000	1	Schoonwater slang	
20	33023302	2	CAP BLACK PKD	
21	9100000770	1	BARB HOSE 90 D.20.5 M 3/8-18 PLASTIC KIT	
38	9100001363	1	TANK SOLUTION 55 LT GREY PKD	
41	9100002117	2	CONNECTOR RED 120A PKD	
44	909 6671 000	1	Spons schoonwaterinlaat	
45	9098449000	1	Rubber antispat kit	
48	9097290000	1	Vulslang schoonwater	[4]

Part Notes:

- [1] - NOT SHOWN - SEE TSB IT 2009-031 - SEE INST. INSTR. 9098576000
 [2] - FORBEARCAT 20TD TRIPLE S
 [3] - SEE IT 2010-053 - SEE INST. INSTR. 9098672000
 [4] - OPTION - SEE TSB-FC-2016-020



Resource notes:

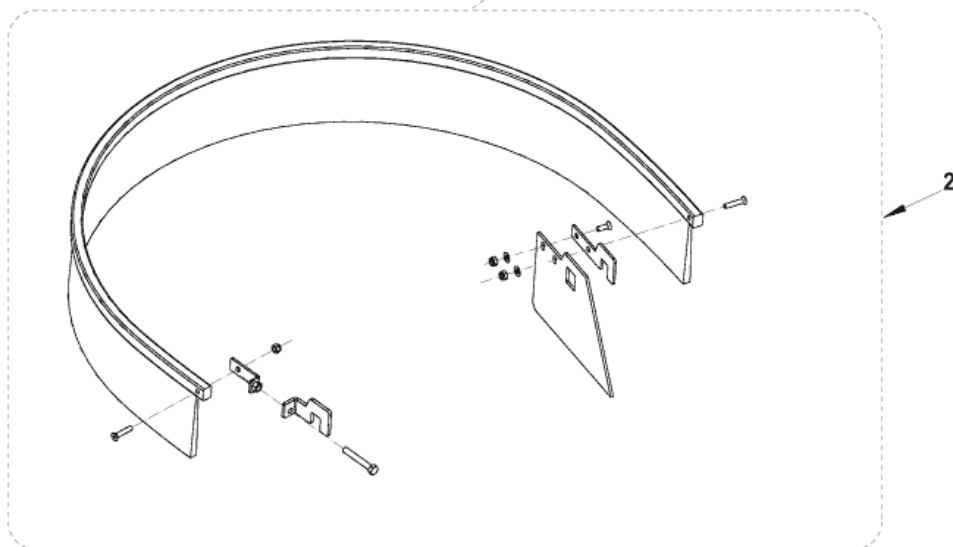
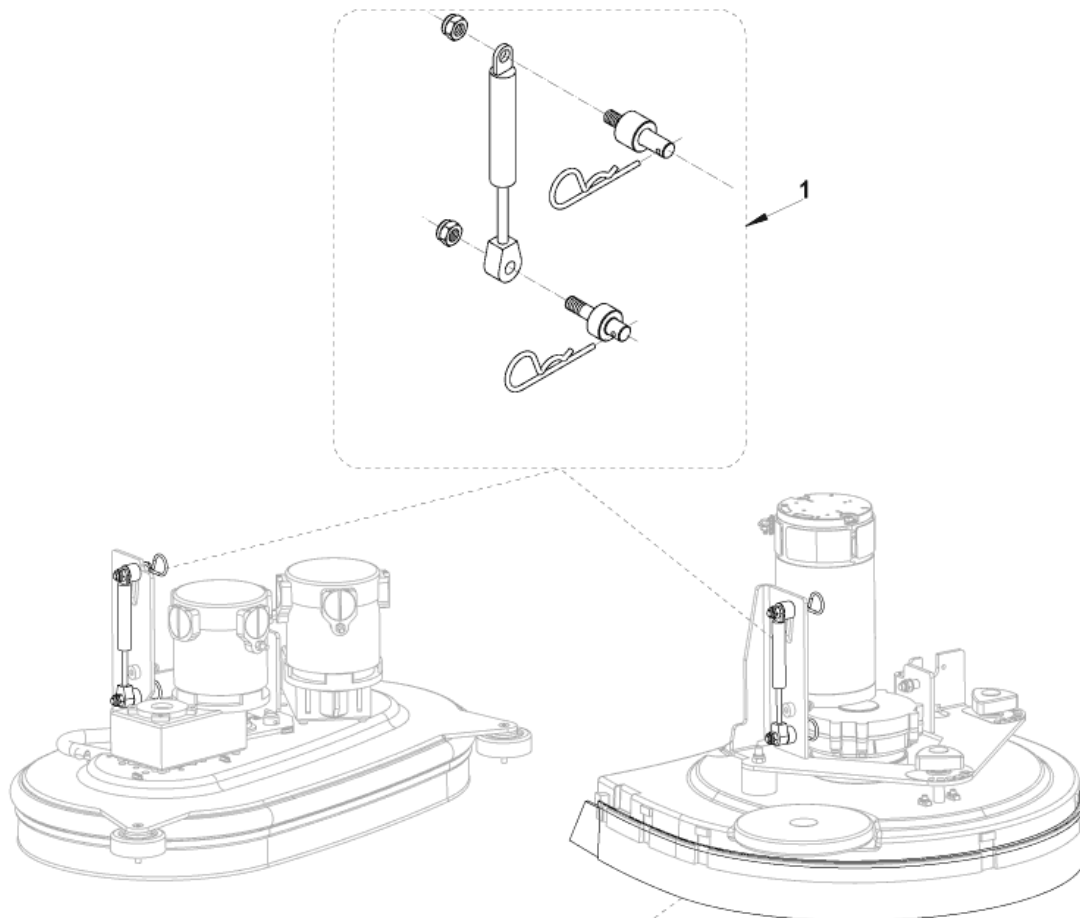
A : ONLY VERSION WITHOUT BATTERY CHARGER ON BOARD B : ONLY VERSION WITH BATTERY CHARGER ON BOARD

Pos.	Artikelnummer	Hoeveelheid	Omschrijving	Notes
00	909 6613 000	1	Kablering zuigmotor	
00	909 6617 000	1	Harness electric box	[1]
00	9096964000	1	HARNESS ELECTRIC BOX	[2]
00	9097590000	1	Kabel Voor Batterij	
00	9100001950	1	Batterij bekabeling	
00	909 6615 000	1	Harness traction machine	[1]
00	9096962000	1	Kablering tractieversie	[3]
00	9098639000	1	HARNESS TRACTION MACHINE	[4]
1	145 8046 000	1	Houder	
2	909 6498 000	1	SUPPORT ELECTRIC COMP.	
3	909 6676 000	2	RING M4 L25	
4	9098303000	1	HARDWARE ELECTRIC SYSTEM KIT	[5]
5A	9100002117	2	CONNECTOR RED 120A PKD	
6B	9100001064	1	COVER F INSPECTION PLATE TRANSP. PKD	
7B	9096914000	1	Aansluitsnoer Met Us Stekker V. Lader Ba	
7B	9100000790	1	Snoer 1000 mm Met Eu Stekkers	
7B	1466318000	1	Verlengkabel Uk Plug L.2000 mm SIP	
8	145 8513 000	2	Zekering 30A P365	
9	145 3824 000	1	Stripzekering 40A R1500B	
10	145 1449 000	3	Tie Kabel 3.6 X 140 Zwart	
11B	9098297000	1	Lader Inbouw 24V 13A	
12	9097209000	1	Schakelaar	
13B	33023396	1	WASHER PLAIN M6X12 ISO7089 10 PCS SET	
14B	145 6132 000	3	INSERT M5	
15	909 6622 000	1	Relais 24v 40Ah	
16B	1466964000	1	SCREW M5X20 PAN HD ISO7045 10 PCS SET	
17	1467035000	2	HOLDER FUSE THERMOPL. UL 94-V0 PKD	
18	9100000173	1	Printplaat Traction	
18	1466207000	1	PROGRAMMER F ELECTRONIC CARDS SIP	[6]

Part Notes:

- [1] - BEFORE S.NO. 065027814
GUARANTEE DATE EXPIRED
- [2] - STARTING FROM S.NO. 065027814
- [3] - STARTING S/N 065027814
VALID FORBA 551D, BA551CD, BA 611D -UNTIL S/N 102013837 - ref. ECO 3706
- [4] - VALID FORBA 551D, BA551CD, BA 611D -STARTING FROM S/N 102013838 - ref. ECO 3706 EcoFlex
- [5] - contains all Hardware shown in this system
- [6] - SERVICE TOOL - NOT SHOWN

**KIT EXTRA PRESSIONE - EXTRA PRESSURE KIT
(BA 551 / BA 611 D)**



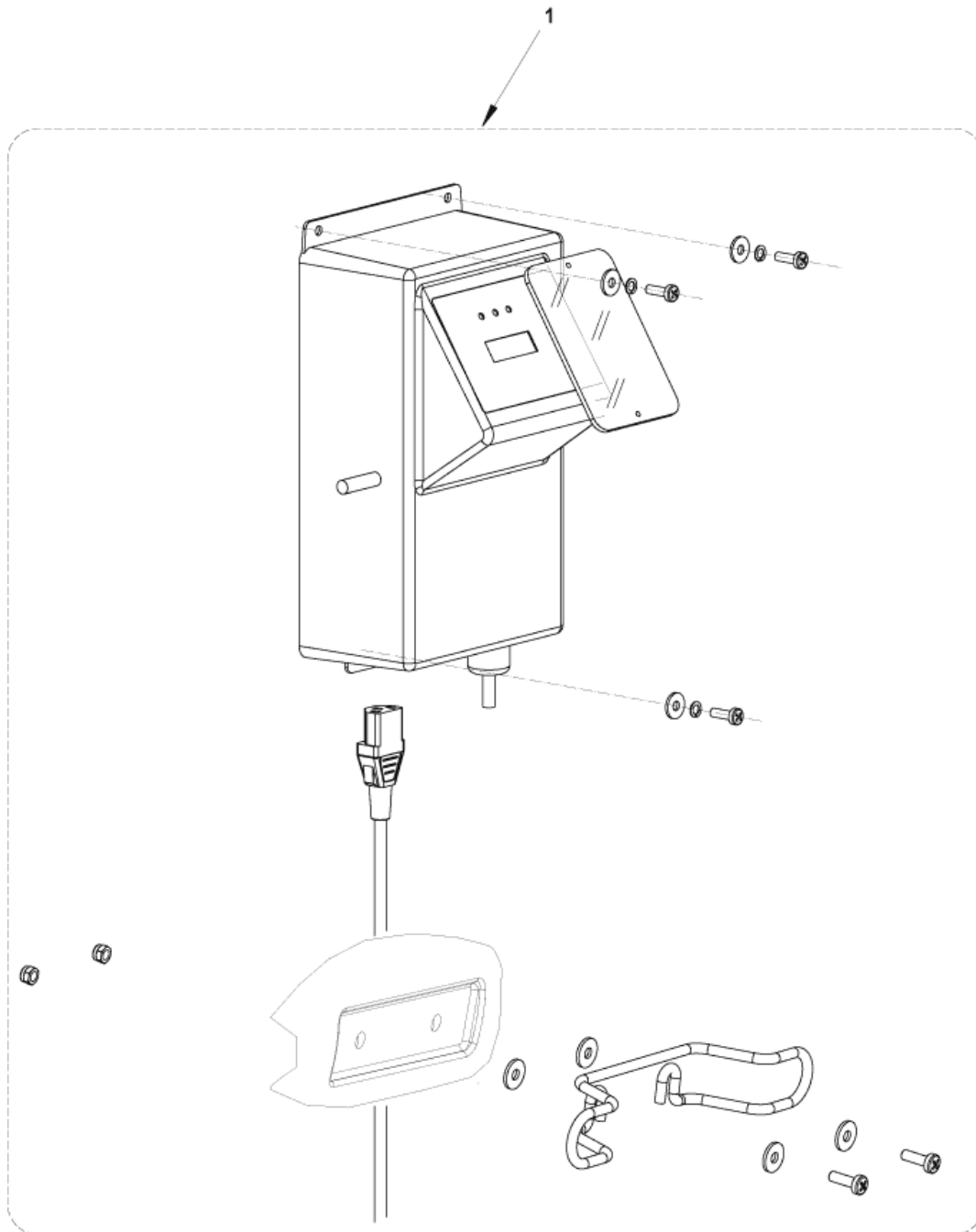
**KIT PARASPRUZZI 20" - SPLASH GUARD 20" KIT
(BA 551 / BA 551 D)**

Pos.	Artikelnummer	Hoeveelheid	Omschrijving	Notes
1	909 6738 000	1	Extra borsteldrukkit	[1]
2	909 6736 000	1	Spatrand kit 21 inch borstel	[2]

Part Notes:

- [1] - SEE INST. INSTR. 909 6759 000
- [2] - SEE INST. INSTR. 909 6745 000

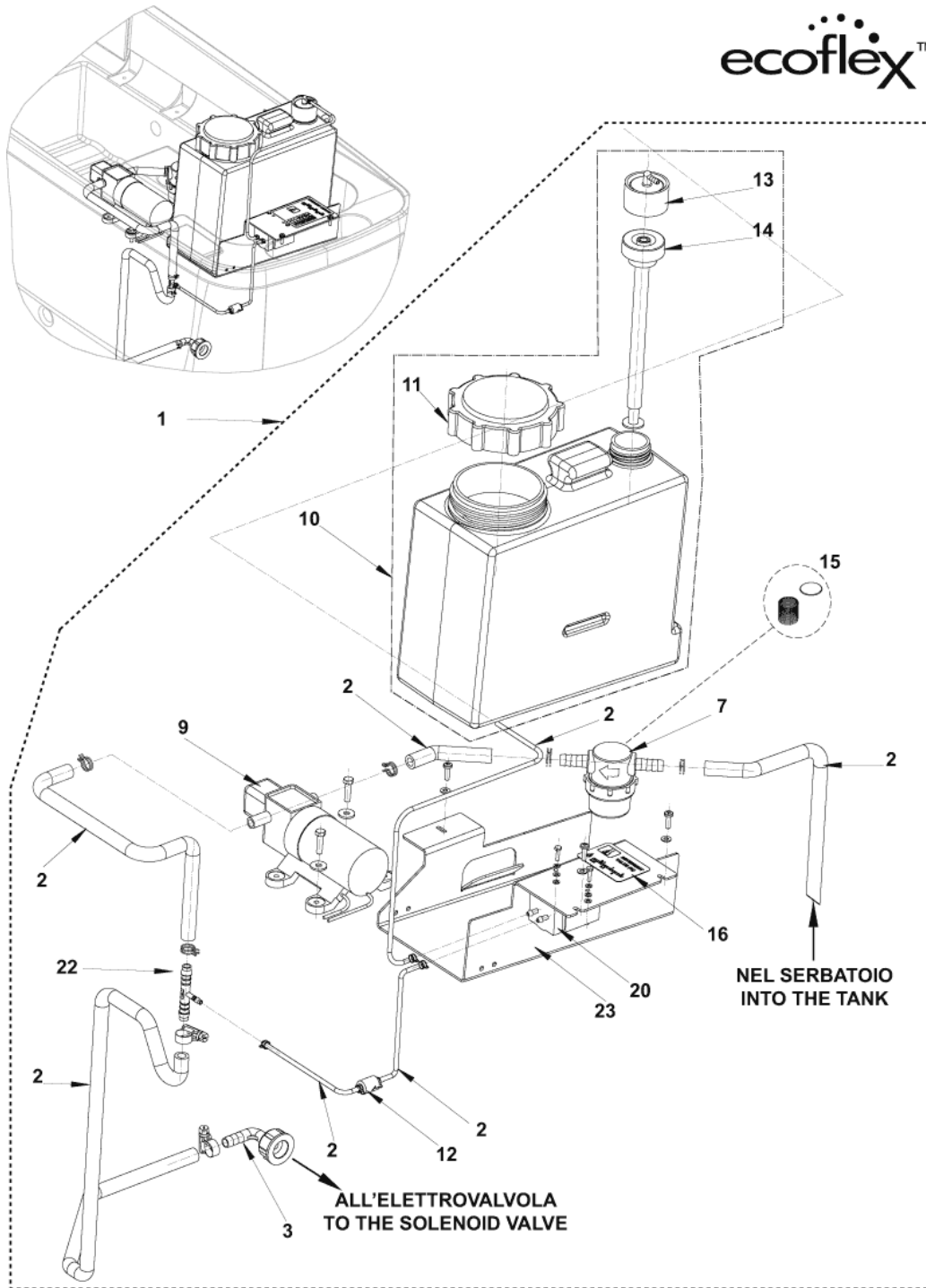
KIT CARICABATTERIA - BATTERY CHARGER KIT



Pos.	Artikelnummer	Hoeveelheid	Omschrijving	Notes
00	9096914000	1	Aansluitsnoer Met Us Stekker V. Lader Ba	[1]
00	9098260000	1	CHARGER BATT. ON BOARD 24V 10A 100V	[2]
00	9098259000	1	CHARGER BATT. ON BOARD 24V 10A 100V KIT	[3]
00	9100000790	1	Snoer 1000 mm Met Eu Stekkers	[4]
00	1467891000	1	Verlengkabel Swiss Plug L.2000 mm SIP	
1	909 6739 000	1	Inbouwlader 24 V 13A	[5]

Part Notes:

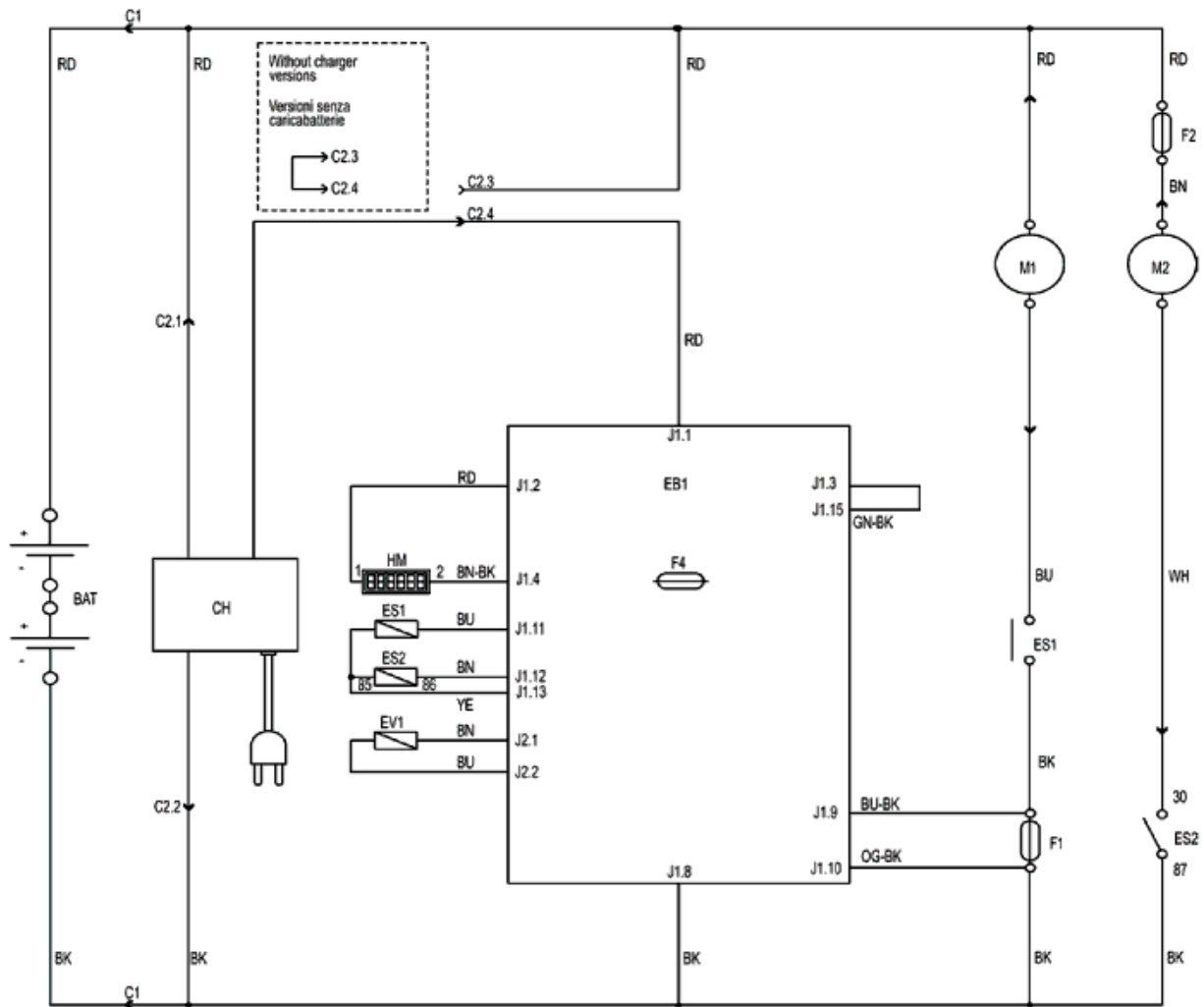
- [1] - US
- [2] - JAPAN
- [3] - JAPAN -OPTIONAL- INST.INSTR. 9098262000
2020 ACCESSORY PRUNING
- [4] - EU
- [5] - EU - OPTIONAL - see INST.INSTR. 909 6746 000



Pos.	Artikelnummer	Hoeveelheid	Omschrijving	Notes
00	909 6187 000	1	Bedrading	[1]
00	909 6902 000	1	Decal Rewritable	[1]
00	9097773000	1	Sticker kit BA 551/611	[1]
00	9098264000	1	Klemsysteem EDS Kit	[1]
1	909 6744 000	1	Ecoflex kit	[2]
2	909 6807 000	1	Pijpje chemie mix set	
3	9098777000	1	Houder rubber 90 grad. kit	
7	9097166000	1	Filterkit compleet	
9	56315108	1	Pomp 24 volt	
10	909 6903 000	1	Tank Chemie kit	
11	9100001817	1	CAP PLASTIC F CHEMICAL TANK SIP	
12	56315522	1	CHECK VALVE 1/8 BARB 12	
13	56315523	1	Kapje dry break, 1/8	
14	56315527	1	Dry Break	
15	L08603893	1	Kit voor filter en pakking	
16	909 6592 000	1	DECAL DETERGENT ADJUST.	
20	9100001819	1	PUMP CHEMICAL MIX KIT	
22	909 6092 000	1	HOLDER RUBBER T	
23	909 6535 000	1	SUPPORT ALU F DETERGENT SOLUTION TANK	

Part Notes:

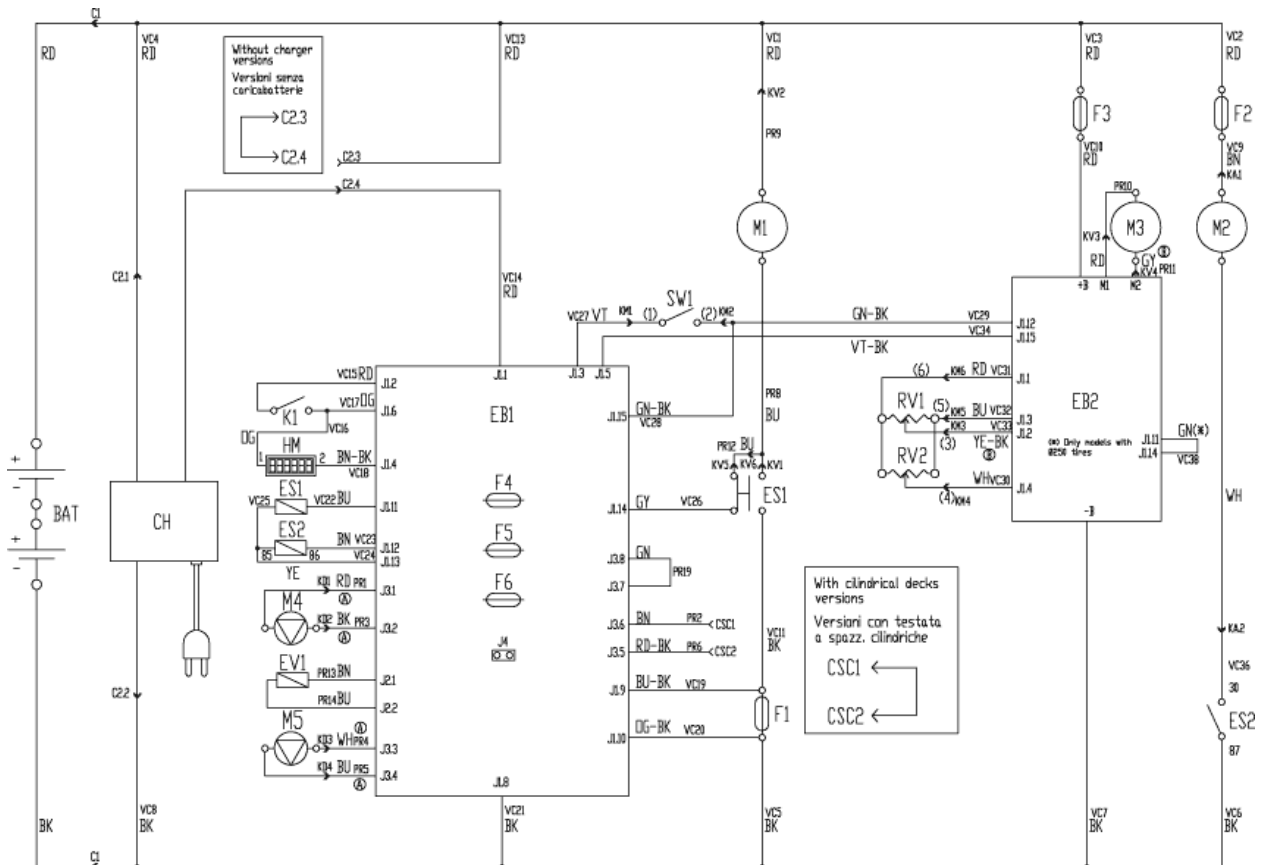
- [1] - NOT SHOWN
 [2] - SEE INST. INSTR. 909 6747 000



WIRING DIAGRAM
BA 551
Rev. A
909 6530 000

COMPONENTS / COMPONENTI		
BAT	24V BATTERIES	BATTERIE 24V
C1	BATTERY CONNECTOR	CONNETTORE BATTERIE
C2	CHARGER CONNECTOR	CONNETTORE CARICABATTERIE
CH	BATTERY CHARGER (OPT)	CARICABATTERIE (OPT)
CS	BRUSH DECK CONNECTOR	CONNETTORE TESTATA SPAZZOLE
EB1	CONTRL PANEL BOARD	SCHEDA ELETTRONICA CONTROLLO FUNZIONI
ES1	BRUSH MOTOR ELECTROM. SWITCH	TELERIUTTORE MOTORI SPAZZOLE
ES2	VACUUM MOTOR ELECTROM. SWITCH	RELE ASPIRATORE
EV1	WATER ELECTROVALVE	ELETTROVALVOLAACQUA
F1	BRUSH DECK FUSE	FUSIBILE TESTATA SPAZZOLE
F2	VACUUM MOTOR FUSE	FUSIBILE ASPIRATORE
F4	LOW POWER CIRCUIT FUSE	FUSIBILE CIRCUITI DI SEGNALE
HM	HOURMETER (OPT)	CONTAORE (OPT)
M1	BRUSH MOTOR	MOTORE SPAZZOLA
M2	VACUUM MOTOR	MOTORE ASPIRATORE

Pos.	Artikelnummer	Hoeveelheid	Omschrijving	Notes
------	---------------	-------------	--------------	-------



WIRING DIAGRAM - BA 551D / BA 551CD / BA 611D

Rev. C

909 6529 000

COMPONENTS / COMPONENTI					
BAT	24V BATTERIES	BATTERIE 24V	K1	KEY SWITCH	CHIAVE
C1	BATTERY CONNECTOR	CONNETTORE BATTERIE	M1	BRUSH MOTOR	MOTORE SPAZZOLA
C2	CHARGER CONNECTOR	CONNETTORE CARICABATTERIE	M2	VACUUM MOTOR	MOTORE ASPIRATORE
CH	BATTERY CHARGER (OPT)	CARICABATTERIE (OPT)	M3	DRIVE MOTOR	MOTORE TRAZIONE
CSC	CILINDRICAL DECK SECONDARY CONNECTOR	CONN. SECONDARIO TESTATA SPAZZ. CILINDRICHE	M4	WATER PUMP (OPT)	POMPA ACQUA (OPT)
EB1	CONTROL PANEL BOARD	SCHEDA ELETTRONICA CONTROLLO FUNZIONI	M5	DETERGENT PUMP (OPT)	POMPA DETERGENTE (OPT)
EB2	DRIVE ELECTRONIC BOARD	SCHEDA ELETTRONICA TRAZIONE	RV1	SPEED POTENTIOMETER	POTENZIOMETRO VELOCITA'
ES1	BRUSH MOTOR ELECTROM. SWITCH	TELERUTTORE MOTORI SPAZZOLE	RV2	MAX SPEED POTENTIOMETER	POTENZIOMETRO VELOCITA' MASSIMA
ES2	VACUUM MOTOR ELECTROM. SWITCH	RELE' ASPIRATORE	SW1	BRUSHES / DRIVE MICROSWITCH	MICROINTERR. CONSENSO SPAZZOLE/TRAZIONE
EV1	ELECTROVALVE	ELETTROVALVOLA			
F1	BRUSH DECK FUSE	FUSIBILE TESTATA SPAZZOLE			
F2	VACUUM MOTOR FUSE	FUSIBILE ASPIRATORE			
F3	DRIVE SYSTEM FUSE	FUSIBILE SISTEMA DI TRAZIONE			
F4	LOW POWER CIRCUIT FUSE	FUSIBILE CIRCUITI DI SEGNALE			
F5	BRUSH RELEASE FUSE	FUSIBILE SGANCIO SPAZZOLE			
F6	PUMP FUSE	FUSIBILE POMPE			
HM	HOURLMETER (OPT)	CONTAORE (OPT)			

Pos.	Artikelnummer	Hoeveelheid	Omschrijving	Notes
------	---------------	-------------	--------------	-------

Pos.	Artikelnummer	Hoeveelheid	Omschrijving	Notes
1	909 6671 000	1	Spons schoonwaterinlaat	
2	909 6521 000	1	Schoonwater slang	
3	33023302	1	CAP BLACK PKD	
4	909 6554 000	1	Kap met ketting	
5	909 6874 000	1	Kabel Tank Set	
6	9098265000	1	Bevestigingskit tank	
7	9099853000	1	Zuigslang L.1234MM	
8	9100001892	1	HOSE DRAIN L.1480MM 90 BLACK PKD	
9	9100000818	1	CAGE FLOAT HALF 2 PCS SET	
10	9100000817	1	BALL FLOATING PKD	
12	9100001348	2	CLAMP 14/32-52 10 PCS SET	
13	1466138000	1	CAP BLACK PPL DE 42X11.5 PKD	
14	9099986000	1	HOSE ANTIREFLOW	
15	909 6877 000	1	Motor bevestiging set	
16	909 6876 000	1	HARDWARE RECOV.TANK KIT	[1]
17	9099401000	1	Zuigmotor BA 531	
18	909 5371 000	2	Koolborstel Zuigmotor 410/343	
19	909 6491 000	1	Geluidsisolatie paneel	
20	909 6490 000	1	Gasket Zuigmotor	
21	909 6489 000	1	Gasket Zuigmotor	
22	909 6880 000	1	Zwenkwiel Kit	
23	909 6880 000	1	Zwenkwiel Kit	
24	909 6878 000	1	HARDWARE CHAS. FIXING KIT	
25	9099691000	1	Loopwielset (2)	
26	909 6548 000	1	Aandrijfmotor 24V 200W	
27	909 6503 000	2	Voorwiel D. 250	
28	145 5124 000	2	Koolborstel borstelmotor	
29	L08812282	2	Camerabediening	
30	9098300000	1	Hardware Handle	
31	9100001062	1	POTENTIOMETER 5K 40 PKD	
32	9096994000	1	kraan 551-451-545	
33	9097166000	1	Filterkit compleet	
34	9096996000	1	Elleboogventiel w/pijp Kit 551-611	
35	909 6555 000	1	Solenoid Valve 24V	
36	9100000106	1	Slangwartel 1/2 vrouwelijk	
37	9098777000	1	Houder rubber 90 grad. kit	

Part Notes:

- [1] - due to ODM/ECN 2810 should have been considered valid for all
Machine configurations which were using it ONLY Before Serial Number 081813772 (Beginning of May 2008).
GUARANTEE DATE EXPIRED

Resource notes:

POSITIONS 7-9: 909 6483 000 - 909 6484 000 included in the kit 909 6860 000
POSITIONS 8-10: L08603832 - L08603830 included in the kit 9097499000

Pos.	Artikelnummer	Hoeveelheid	Omschrijving	Notes
01	909 6055 000	1	Voorste rubberhouder	
02	L08603831	1	Voorstrip	
03	909 6044 000	1	Bevestiging zuigmond	
04	9100000962	1	SQUEEGEE SS 840MM/33 SIP	
05	9097637000	1	SQUEEGEE FIXING KIT	
06	9100000791	1	KNOB M8X30 THD STUD SS PKD	
11	909 6851 000	1	Zuigmond cpl. 29 inch	
12	909 5372 000	1	Zuigmond cpl. 33 inch	
13	909 6882 000	1	Bevestiging mat. zuigrubb	
14	909 6894 000	1	Bevestigingsmateriaal zuigset	
15	909 6883 000	1	Wiel mondstuk kit	
16	9100000573	1	wielkit voor zuigmond	
17	909 6884 000	1	Rol bumper zuigmond	
18	L08603880	1	Stootwiel van mondstuk	
19	909 6394 000	1	Klem zuigmond	
20	909 6885 000	1	Hardware squeegee kit	
22	909 6042 000	1	Deck Bruch	
23	9098308000	1	Reduction gearmotor 450W	
24	9098376000	1	Koolborstel kit 4st.	
25	L08812306	1	Naaf, rechter aandr.borst	
26	L08601624	1	Verlooprubber	
27	9100000868	1	VIBRATION DAMPING M8 60SH 2 PCS SET	
28	1467692000	2	PIN SPRING COTTER 3X56 GALV. 2 PCS SET	
29	909 6514 000	1	Gas veer	
30	9097093000	1	Houder Polygonaal kit	
31	909 6887 000	1	Bumper roller kit	
32	9099419000	1	REGELINGSKIT BORSTELDECK	
33	145 4366 000	1	Houder Rubber	
34	909 5772 000	1	HOSE COPPER	
35	9098489000	1	Guards splash kit	
36	909 5805 000	1	container dirt	
37	9096983000	2	Reduction Gearmotor	[1]
38	1464432000	1	Koolborstel kit 4st	
39	909 5820 000	2	Snaar Poly 11J03818	
40	909 5870 000	1	HOSE PVC W/SPIRAL D.10X16 L.190MM SIP	
41	9098488000	1	ROLLERS BUMPERS KIT	
42	9098485000	1	Riemspringer kit	
43	9098486000	1	Support cyl.brush kit	
44	9098487000	1	BORSTEL AANDRIJVING	

Part Notes:

[1] - CARBON BRUSH KIT 1464432000

Pos.	Artikelnummer	Hoeveelheid	Omschrijving	Notes
01	L08812306	1	Naaf, rechter aandr.borst	
02	1467692000	1	PIN SPRING COTTER 3X56 GALV. 2 PCS SET	
03	L08812306	1	Naaf, rechter aandr.borst	
04	9100000678	2	Reductiemotor 350W 24V	
05	L08812589	1	Borstelhouder 450/530	
06	9097093000	1	Houder Polygonaal kit	
07	909 5398 000	1	Spatrandbevestigingskit	
08	909 6891 000	1	Waterslang dubbele borste	
09	909 5894 000	1	Roller bumper Kit	
10	909 6893 000	2	Koolborstelkit 4 stuks	
11	909 6380 000	1	Klemset tank	
12	9100000174	1	Printplaat functies	
13	9098635000	1	Decal control panel	
14	9100001354	1	Kontaktslot	
15	9100000175	1	Printplaat duwpaneel BA	
16	909 6057 000	1	Decal Control Panel	
17	9100000878	1	FUSE BLADE 3A PKD	
18	909 6678 000	1	FUSE 20A GLASS DELAYED	[1]
19	9100000173	1	Printplaat Traction	
20	9100000792	1	Microschakelaar 16a 250v	
21	9100002117	2	CONNECTOR RED 120A PKD	
22	9097209000	1	Schakelaar	
23	909 6622 000	1	Relais 24v 40Ah	
24	145 3824 000	1	Stripzekering 40A R1500B	
25	145 8513 000	1	Zekering 30A P365	
26	9098297000	1	Lader Inbouw 24V 13A	
27	909 6744 000	1	Ecoflex kit	
28	909 6807 000	1	Pijpje chemie mix set	
29	9098777000	1	Houder rubber 90 grad. kit	
30	56315108	1	Pomp 24 volt	
31	909 6903 000	1	Tank Chemie kit	
32	9100001817	1	CAP PLASTIC F CHEMICAL TANK SIP	
33	56315522	1	CHECK VALVE 1/8 BARB 12	
34	56315523	1	Kapje dry break, 1/8	
35	56315527	1	Dry Break	
36	9097166000	1	Filterkit compleet	
37	9100001819	1	PUMP CHEMICAL MIX KIT	
38	909 6092 000	1	HOLDER RUBBER T	

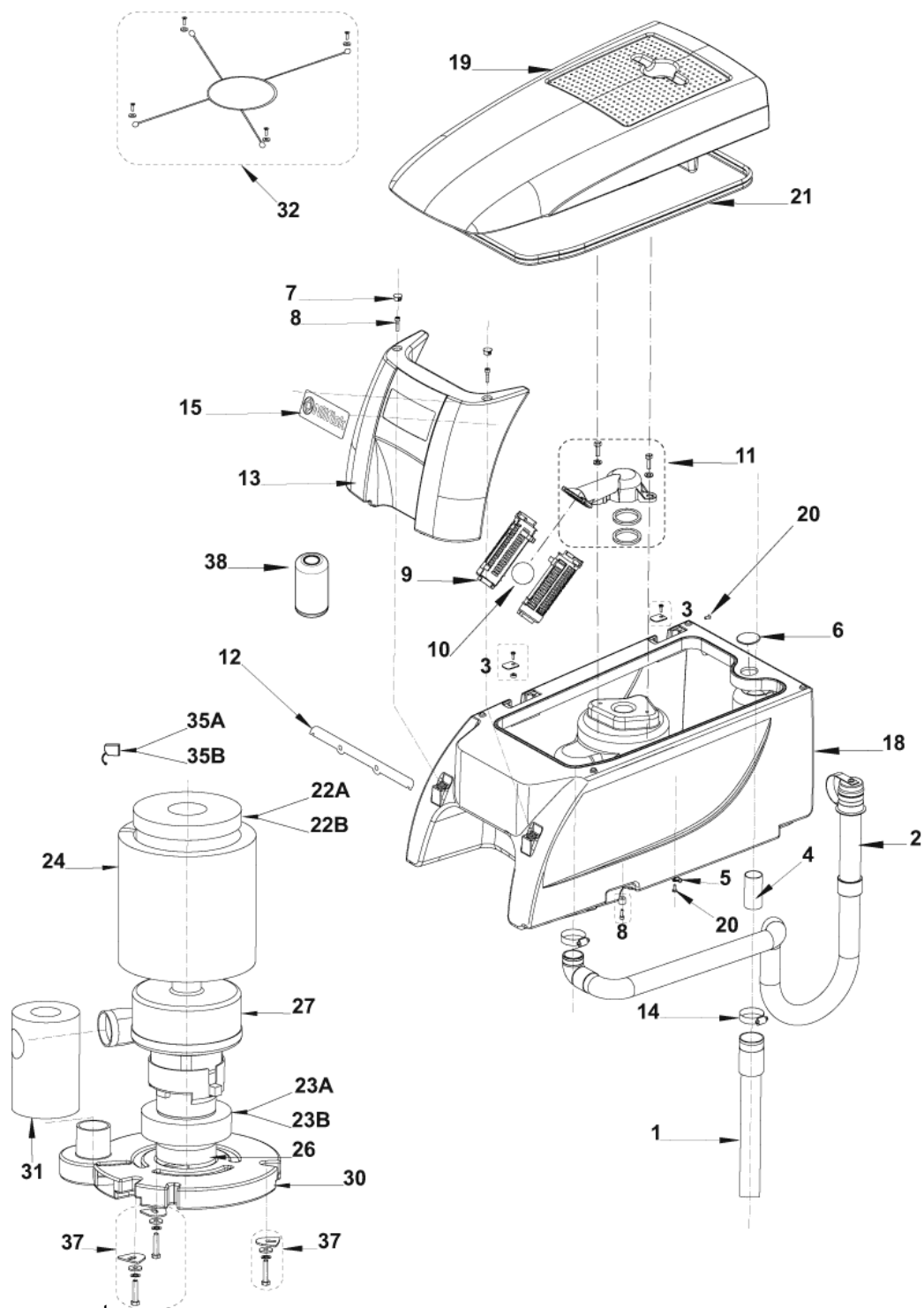
Part Notes:

[1] - STOCK COVERS GUARANTEE

Pos.	Artikelnummer	Hoeveelheid	Omschrijving	Notes
1	9097290000	1	Vulslang schoonwater	
2	9100001353	1	FILTER SOLUTION TANK PKD	
3	9096951000	1	Urenteller 24V	
4	909 6734 000	1	Band, rubber kit	
5	9098947000	1	Mobiele wielkit RVS	[1]
6	9097026000	2	Voorwiel olie bestendig Ø 250 mm	[2]
7	909 6736 000	1	Spatrand kit 21 inch borstel	
8	909 6848 000	1	DECK BRUSH 530MM/21 KIT WITH	
9	L08837025	1	Borstel 21 inch Prolene 530mm	
10	L08837026	1	Borstel 21 inch Prolite 530mm	
11	L08837027	1	Borstel 21 inch union mix 530mm	
12	L08837028	1	Borstel 21 inch 530mm midlite grit 180	
13	L08837029	1	Borstel 21 inch 530mm mid grit 240	
14	L08837065	1	Borstel 21 inch magna grit 530mm	
15	L08837066	1	Borstel 21 inch Dynagrit 530mm	
16	L08837067	1	Borstel 21 inch Aglite grit 530mm	
17	L08837018	1	Padhouder 530mm/21 inch Centre Lock	
18	909 6849 000	1	DECK BRUSH 510MM/20 CYL KIT	
19	909 5823 000	2	Borstel cyl. 20 inch Polyprop. 510mm 0.4	
20	909 5824 000	2	Borstel cyl. 20 inch nylon 0,45	
21	909 5825 000	2	Borstel cyl. 20 inch Supergrit 510mm 0.6	
22	909 6850 000	1	DECK BRUSH 610MM/24 KIT	
23	L08603842	2	Borstel 12 inch Prolene. 305mm	
24	L08603873	2	Borstel 12 inch 305mm mid grit 240	
25	L08603872	2	Borstel 12 inch 305mm midlite grit 180	
26	L08603874	2	Borstel 12 inch prolite 305mm	
27	L08603875	2	Borstel 12 inch Union mix 305mm	
28	9099670000	2	Padhouder 12 inch 305 mm	
29	L08603878	1	Mondstuk compleet BA 530	
30	9100000279	1	Zuigrubberkit non marking 740MM/29	
31	909 6858 000	1	Zuigstripset 29 inch PU 740mm	
33	909 6859 000	1	Zuigstripset 33 inch PU 830mm	
34	909 5629 000	1	Zuigrubber non-marking BA 600/650	
35	909 6744 000	1	Ecoflex kit	
36	909 6738 000	1	Extra borsteldrukkit	
37	909 6739 000	1	Inbouwlader 24 V 13A	
38	9098853000	1	Elleboog 90 zuigslang Kit RAL 7001	[3]

Part Notes:

- [1] - OPTION - WIDER WHELL FOR SPECIAL APPLICATIONS
- [2] - ITEM NO LONGER AVAILABLE
- [3] - TSB IT 2010-061. Squeegee hose elbow



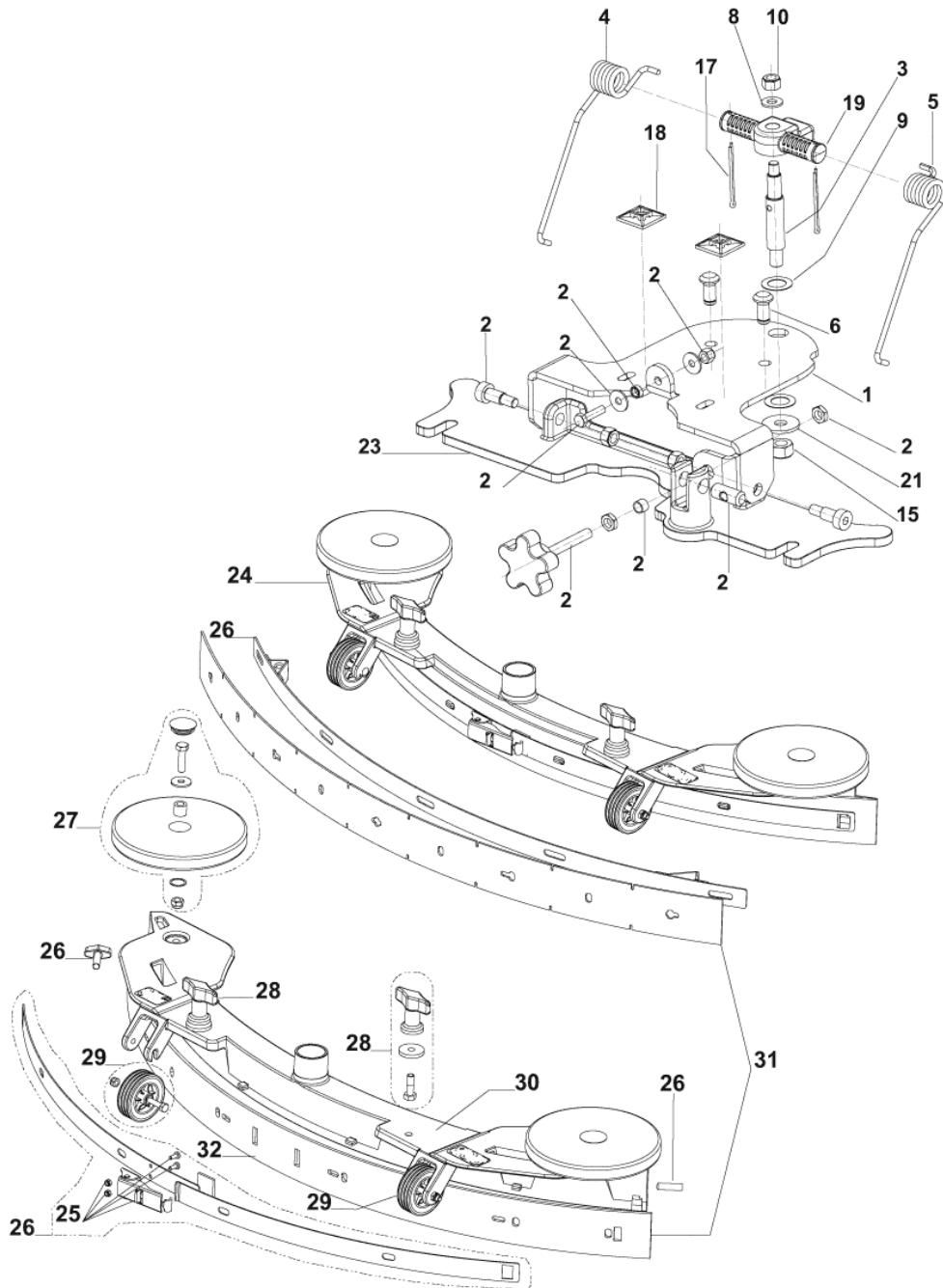
Resource notes:

AFOR MOTOR 9099401000 (AMETEK) BFOR MOTOR 9098062000 (VIPER)

Pos.	Artikelnummer	Hoeveelheid	Omschrijving	Notes
00	909 6876 000	1	HARDWARE RECOV.TANK KIT	[1]
1	9099853000	1	Zuigslang L.1234MM	
2	9100001892	1	HOSE DRAIN L.1480MM 90 BLACK PKD	
3	9097654000	1	Tank Fixing Kit	
4	9099986000	1	HOSE ANTIREFLOW	
5	L08239900	1	Bevestigingsplaat	
6	1466138000	1	CAP BLACK PPL DE 42X11.5 PKD	
7	145 8008 000	2	Dop D 18,2	
8	9098451000	1	HARDWARE RECOVERY TANK KIT	
9	9100000818	1	CAGE FLOAT HALF 2 PCS SET	
10	9100000817	1	BALL FLOATING PKD	
11	9100001875	1	SUPPORT FLOAT KIT	[2]
12	9097044000	1	Gasket tank	
13	909 6224 000	1	panel recovery tank	
14	9100001348	1	CLAMP 14/32-52 10 PCS SET	
15	9097773000	1	Sticker kit BA 551/611	
18	9100000773	1	TANK RECOVERY 55 LT PKD	
19	909 6050 000	1	Tank afdekplaat 55LT	
20	909 6337 000	2	SCREW M5X12 UNI7687	
21	146 0741 000	1	Pakking	
22A	909 6489 000	1	Gasket Zuigmotor	
22B	9098055000	1	Pakking Zuigmotor	
23A	909 6490 000	1	Gasket Zuigmotor	
23B	9097555000	1	GASKET VACUUM MOTOR	
24	909 6491 000	1	Geluidsisolatie paneel	
26	909 6672 000	1	Filter	
27	9099401000	1	Zuigmotor BA 531	
30	9100001246	1	COVER VACUUM MOTOR PKD	
31	909 6442 000	1	Geluid demper buis D.40x90L 135mm	
32	909 6734 000	1	Band, rubber kit	[3]
35A	909 5371 000	2	Koolborstel Zuigmotor 410/343	
35B	ZD53501A	1	CARBON BRUSH FOR VAC MOTORS FANG SERIES	
37	909 6877 000	1	Motor bevestiging set	
38	909 5065 000	1	Antischuimfilter	[4]

Part Notes:

- [1] - due to ODM/ECN 2810 should have been considered valid for all
Machine configurations which were using it ONLY Before Serial Number 081813772 (Beginning of May 2008).
GUARANTEE DATE EXPIRED
NOT SHOWN
- [2] - SEE INST.INSTR. 9100001876
- [3] - OPTIONAL
- [4] - OPTIONAL - SEE TSB IT 2008-002



Pos.	Artikelnummer	Hoeveelheid	Omschrijving	Notes
00	9097548000	1	Kit Nylon ringen	[1]
1	909 6494 000	1	Steun zuigmond	
2	909 6885 000	1	Hardware squeegee kit	
3	909 6497 000	1	Pin van zuigmond	
4	909 6537 000	1	Veer zuigmond	
5	909 6538 000	1	Veer zuigmond	
6	909 6543 000	2	Pin, squeegee fixing	
8	33023208	1	WASHER M8 UNI6592 10 PCS SET	
9	L08238300	2	Ring	
10	33023574	1	NUT LOCK HEX M8 ISO10511 PCS 10 SET	
15	33005608	1	NUT SELF L. M10 UNI7474	
17	33005758	2	Splitpen 2x32 Uni1336	
18	909 6635 000	2	Houder platte band	
19	9100000515	1	Veer van zuigmond	
21	L08604251	1	Ring	
23	909 6045 000	1	Support Squeegee	
24	9097539000	1	ZUIGMOND ALU 840 MM 33 INCH	
25	909 6394 000	1	Klem zuigmond	
26	9097634000	1	Strips voor mondstuk kit	
27	909 6887 000	2	Bumper roller kit	
28	9097637000	1	SQUEEGEE FIXING KIT	
29	909 6883 000	1	Wiel mondstuk kit	
30	9097198000	1	Weldment squeegee tool	
31	9100000280	1	Zuigrubberkit 840MM/33 non marking	

Part Notes:

[1] - NOT SHOWN - SEE TSB IT 2007-031

