

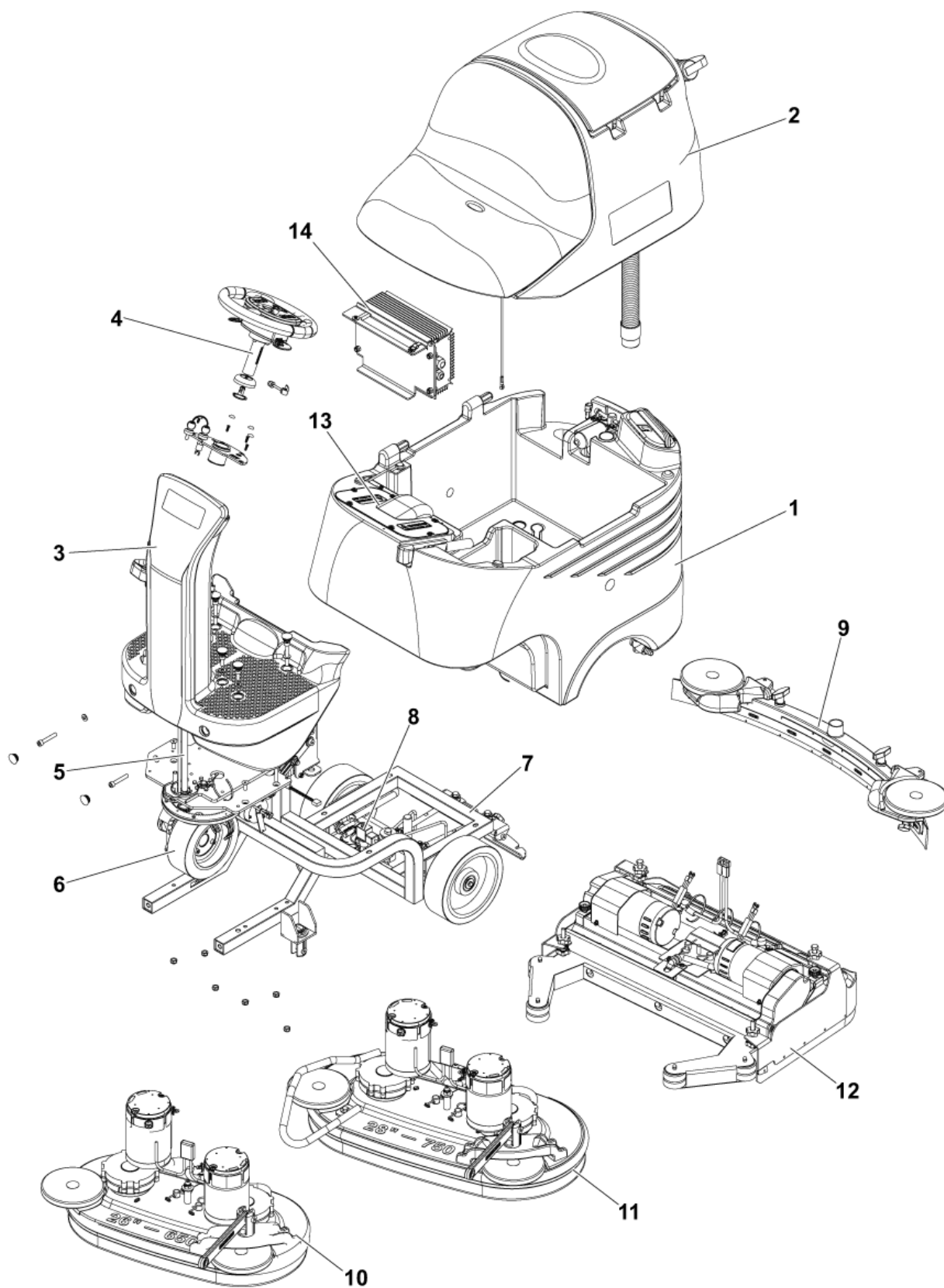
PARTS LIST



2020.11.03

TABLE OF CONTENTS

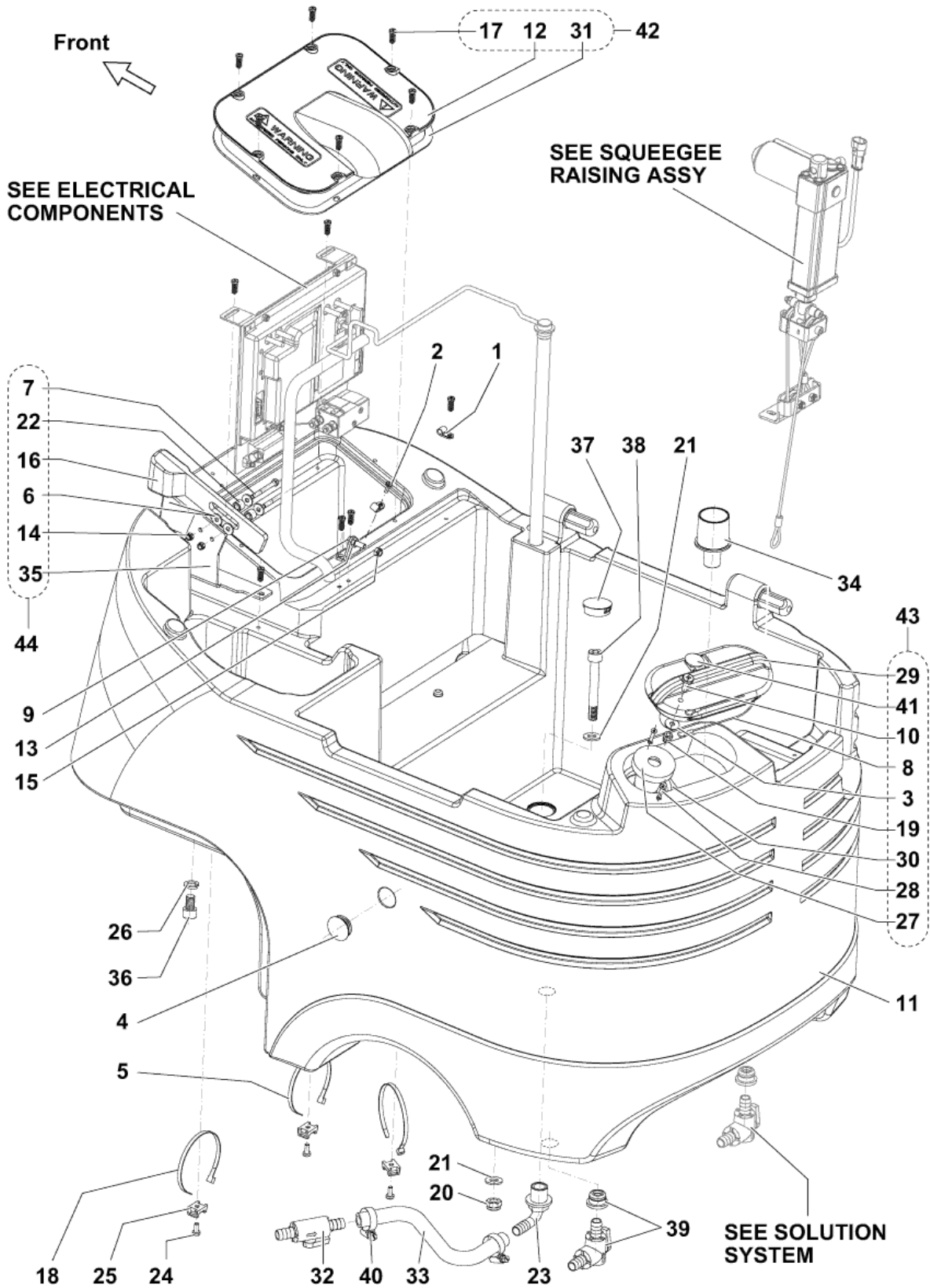
GENERAL VIEW	1
SOLUTION TANK	3
RECOVERY TANK	5
COLUMN SYSTEM	7
STEERING ASSY	9
STEERING WHEEL SUPP ASSY	11
DRIVE WHEEL ASSY	13
CHASSIS SYSTEM	15
SOLUTION SYSTEM	17
SQUEEGEE RAISING ASSY	19
SQUEEGEE SYSTEMS	21
DISC BRUSH DECK SUPP. ASSY	23
DISC BRUSH DECKS SYSTEMS	25
CYL. BRUSH DECK SUPP. ASSY	27
CYL. BRUSHES DECK 1	29
CYL. BRUSHES DECK 2	31
ELECTRICAL COMPONENTS	33
BATTERY CHARGER	35
ECOFLEX	37
MOP AND TRASH KIT - BASKET KIT	39
FLASHING BEACON KIT - NOISE REDUCTION KIT	41
ACCESSORIES	43
WIRING DIAGRAM	45
RECOMMENDED SPARE PARTS	47



Pos.	Artikelnummer	Hoeveelheid	Omschrijving	Notes
1		1	SOLUTION TANK	[1]
2		1	RECOVERY TANK	[2]
3		1	COLUMN SYSTEM	[3]
4		1	STEERING ASSY	[4]
5		1	STEERING WHEEL SUPPORT ASSEMBLY	[5]
6		1	DRIVE WHEEL ASSEMBLY	[6]
7		1	CHASSIS SYSTEM	[7]
8		1	SOLUTION SYSTEM	[8]
9		1	SQUEEGEE SYSTEMS	[9]
10		1	BRUSHES DECK SYSTEM 650	[10]
11		1	BRUSHES DECK SYSTEM 750	[10]
12		1	CYL. BRUSHES SYSTEM	[11]
13		1	ELECTRICAL COMPONENTS	[12]
14		1	BATTERY CHARGER	[13]

Part Notes:

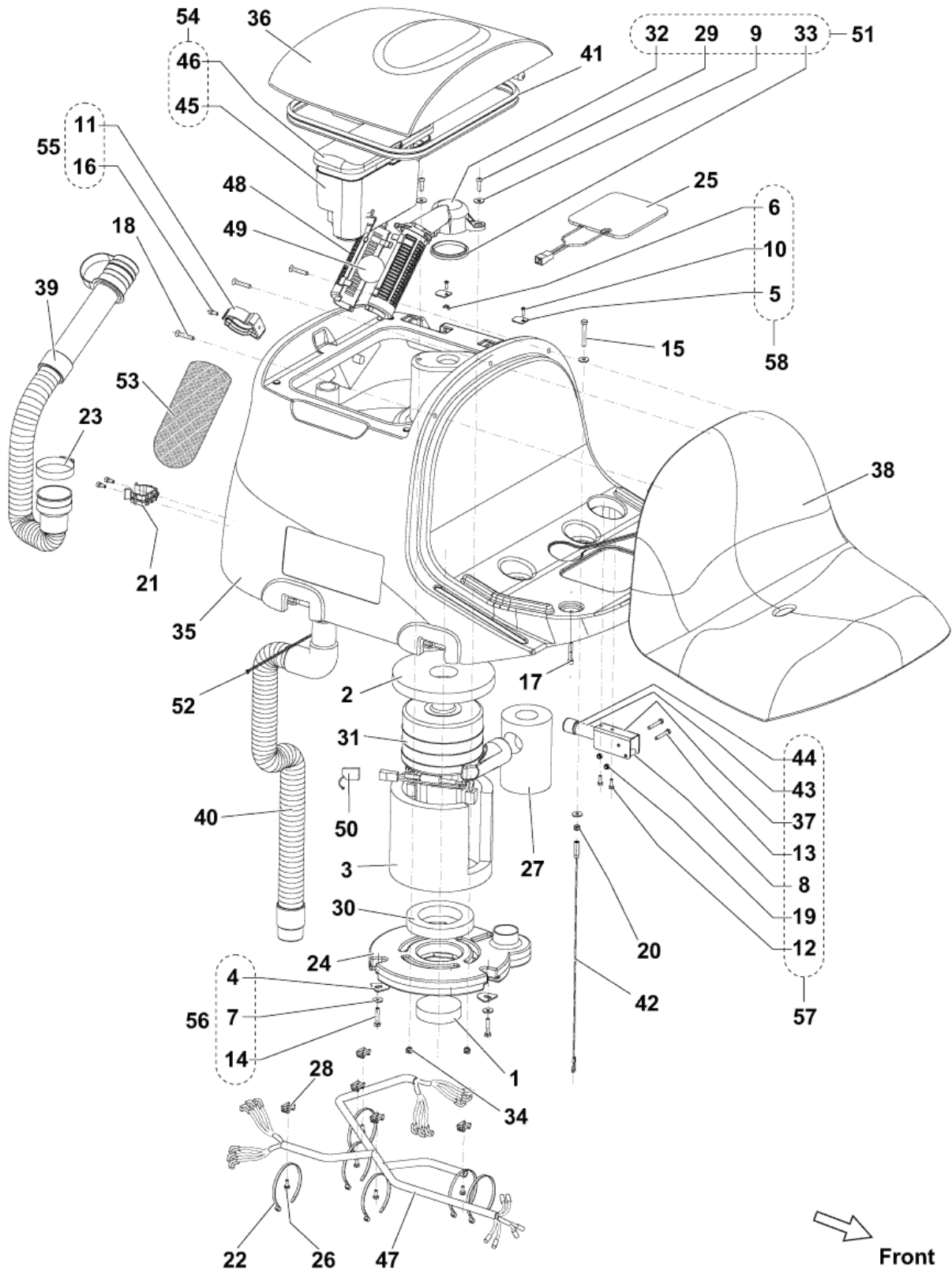
- [1] - SOLUTION TANK
- [2] - RECOVERY TANK
- [3] - COLUMN SYSTEM
- [4] - STEERING ASSY
- [5] - STEERING WHEEL SUPP ASSY
- [6] - DRIVE WHEEL ASSY
- [7] - CHASSIS SYSTEM
- [8] - SOLUTION SYSTEM
- [9] - SQUEEGEE SYSTEMS
- [10] - DISC BRUSH DECKS SYSTEMS
- [11] - CYL. BRUSHES DECK 1
- [12] - ELECTRICAL COMPONENTS
- [13] - BATTERY CHARGER



Pos.	Artikelnummer	Hoeveelheid	Omschrijving	Notes
4	33023302	2	CAP BLACK PKD	
11	9100001582	1	TANK SOLUTION GREY PKD	
23	909 6087 000	3	Bocht 90 m1/2	
27	9100000703	1	Vu slang BR	[1]
32	9098173000	1	klep-valve 1/2-1/2	
33	9098175000	1	HOSE PVC W/SPIRAL D.12X18 L.270MM SIP	
34	9098224000	1	MUFF FRESH WATER	
39	9097626000	1	Valve elbow kit	
42	9098707000	1	Deksel printplaat	[2]
43	9098709000	1	Deksel Schoonwatertank Kit	[3]
44	9098710000	1	Hendel batterijconnectie	[4]
45	9098711000	1	HARDWARE SCHOONWATERTANK	[5]

Part Notes:

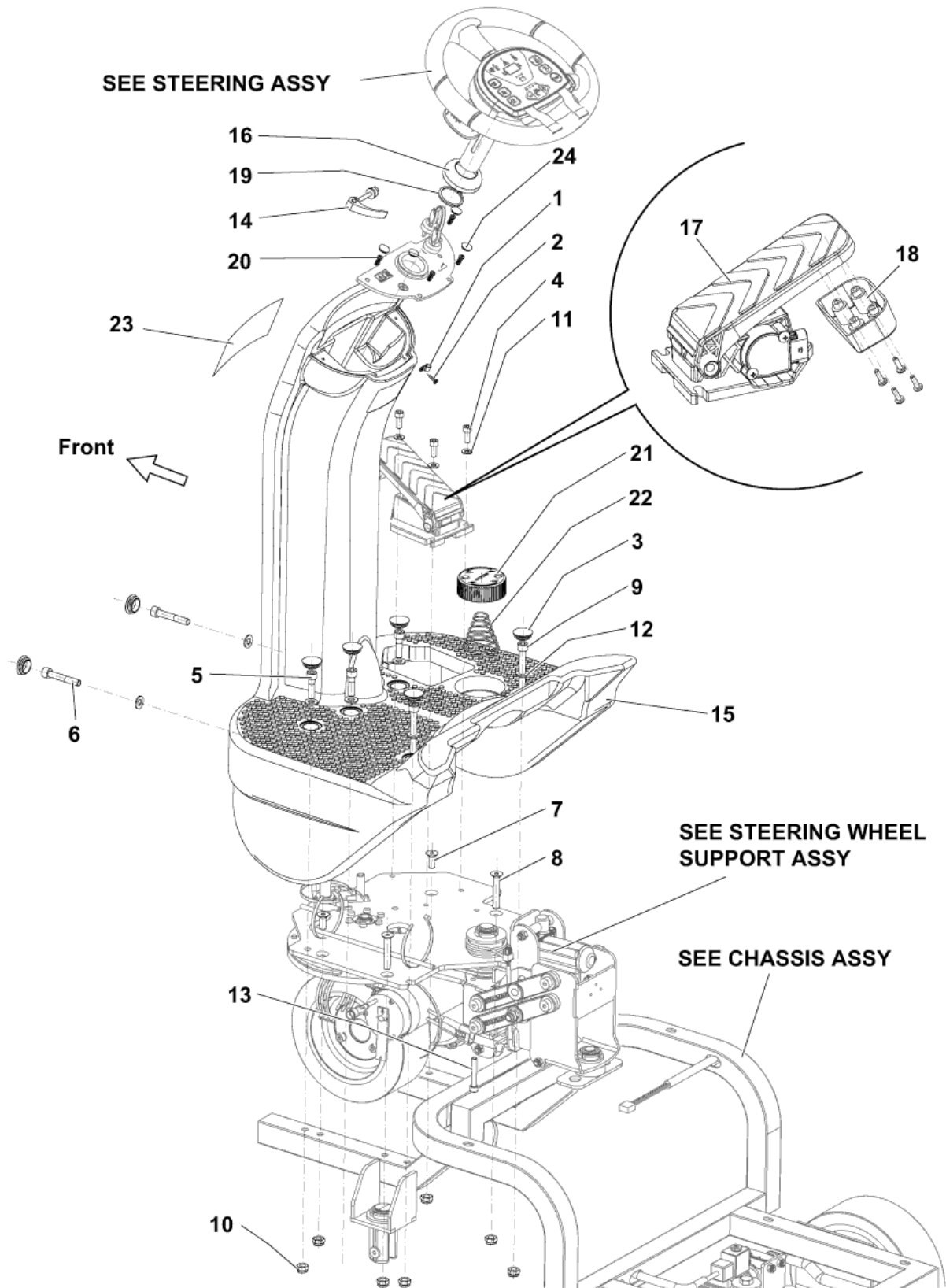
- [1] - SEE TSB-FC-2016-020
- [2] - Item 17-12-31
- [3] - Item 29-41-10-8-3-30-19-28-27
- [4] - Item 35-14-6-16-22-7
- [5] - NOT SHOWN - Item 1-2-24-25-18-5-15-13-9-17-26-36-37-38-21-20-40



Pos.	Artikelnummer	Hoeveelheid	Omschrijving	Notes
1	909 6672 000	1	Filter	
2	909 6489 000	1	Gasket Zuigmotor	
3	909 6491 000	1	Geluidsisolatie paneel	
21	9100001164	1	CLAMP HOSE D.40 BLACK KIT	
23	146 0771 000	1	CLAMP	
24	9100001246	1	COVER VACUUM MOTOR PKD	
25	9100001152	1	MICROSWITCH PKD	
27	909 6442 000	1	Geluid demper buis D.40x90L 135mm	
30	9097555000	1	GASKET VACUUM MOTOR	
31	9099929000	1	Zuigmotor 3ST 24V 420W	
31	9100001706	1	Zuigmotor 3 tr. 570W/24V	[1]
35	9097801000	1	TANK VUIL WATER RAL 7001	
36	9100002421	1	COVER PLAST. GREY F TANK 80L SIP	
38	9097858000	1	Zetel	
39	9100001890	1	Afvoerslang 611mm zwart	
40	9098169000	1	Zuigslang L.1100MM 90	
41	9098172000	1	Rubberen dichting	
42	9098177000	1	Kabel Tank Stop	
47	9098235000	1	Kabelboom	
48	9100000818	1	CAGE FLOAT HALF 2 PCS SET	
49	9100000817	1	BALL FLOATING PKD	
50	9098716000	1	Koolborstelset 2pcs Zuigmotor BR652	
51	9100001875	1	SUPPORT FLOAT KIT	[2]
52	L08066000	1	Kabelband Quick Fastening L.320	
53	909 5065 000	1	Antischuimfilter	[3]
54	9098712000	1	Grofvuil filter	[4]
55	909 6380 000	1	Klemset tank	[5]
56	909 6877 000	1	Motor bevestiging set	[6]
57	9098713000	1	Veiligheidsbeugel	[7]
58	9098714000	1	FIXING TANK KIT	[8]
59	9098715000	1	Bevestigingsmaterialen Tank	[9]
60	9099210000	1	THICKNESS ADHESIVE	[10]

Part Notes:

- [1] - OPTIONAL - SEE INST.INSTR. 9100001707
- [2] - Item 32-29-9-33
- [3] - Optional
- [4] - Item 45-46
- [5] - Item 11-16
- [6] - Item 4-7-14
- [7] - Item 44-43-37-13-8-19-12
- [8] - Item 6-10-5
- [9] - NOT SHOWN - Item 15-17-20-34-26-22-28-18-7
- [10] - NOT SHOWN

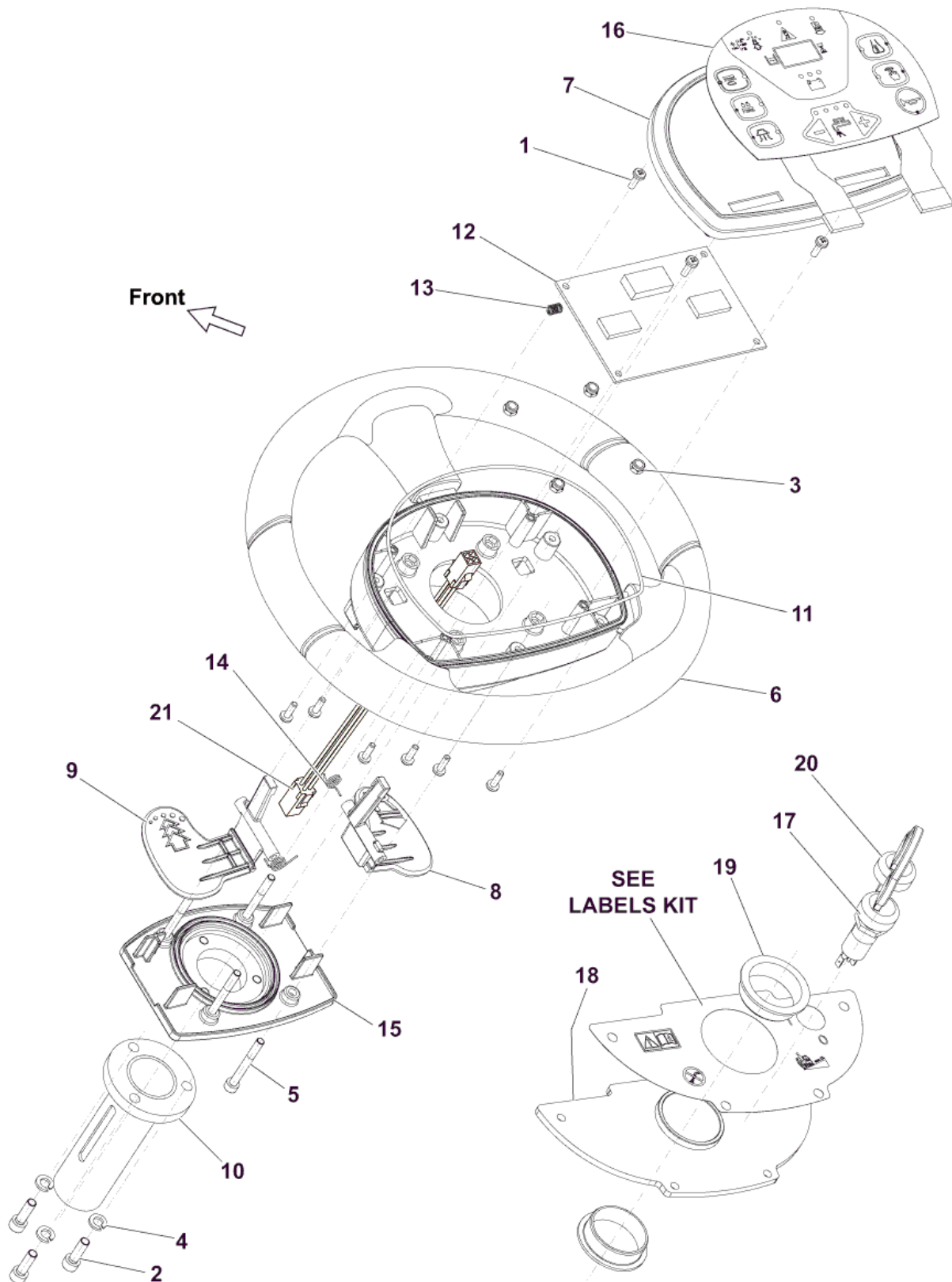


Resource notes:
25 - NOT SHOWN

Pos.	Artikelnummer	Hoeveelheid	Omschrijving	Notes
14	9097796000	1	LEVER BLOCK STEERING WHEEL	
15	9097805000	1	FOOTBOARD WITH COLUMN RAL7016	
16	9097806000	1	PROTECTION STEERING RING	
17	9100001421	1	PEDAL SPEED CONTROL KIT	[1]
17	9100001420	1	PEDAL SPEED CONTROL SIP	[2]
18	9100001052	1	STOPPER PEDAL SIP	[3]
21	9097950000	1	FOOTREST	
22	9097957000	1	SPRING FOOTREST	
23	9098717000	1	Typeplaatjes stickers BR652/752/752C	
25	9100001448	1	HARDWARE STEERING COLUMN KIT	[4]

Part Notes:

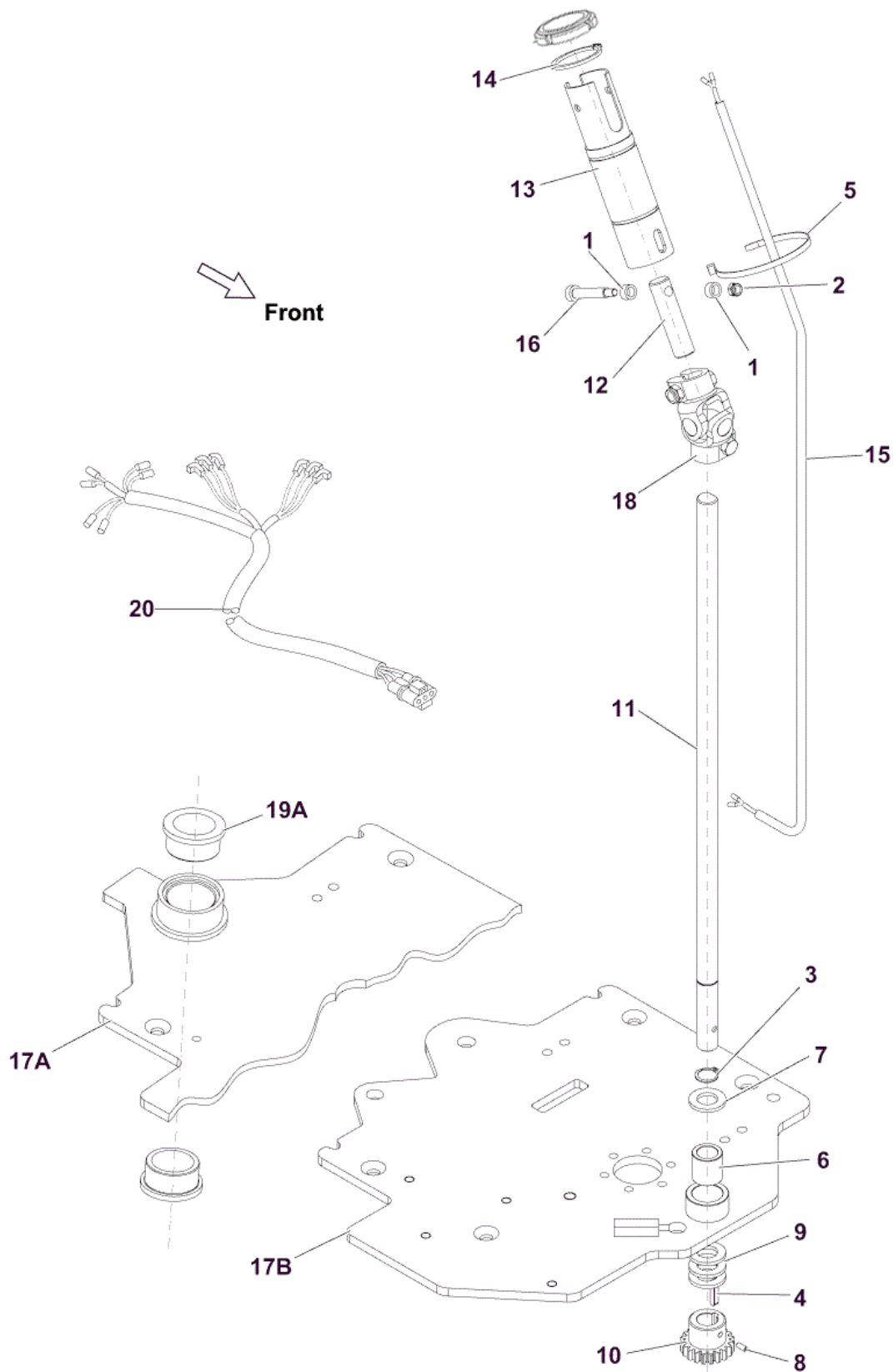
- [1] - For machine before SN 3510160702622- See TSB-FC 2015-030
See Inst. Instr. 9100001439
- [2] - For machines starting SN 3510160702622 - See TSB-FC-2015-030
- [3] - SEE TSB-FC-2015-030
- [4] - Item 1-2-3-4-5-6-7-8-9-10-11-12-13-19-20-24



Pos.	Artikelnummer	Hoeveelheid	Omschrijving	Notes
6	9100001082	1	WHEEL STEERING D.320X281 PKD	
7+16	9100002922	1	KLEEFSTUK VOOR HET CONTROLEREN VAN HET D	[1]
8	9100001083	1	LEVER RIGHT PA YELLOW PKD	
9	9100001084	1	LEVER LEFT PA BLACK PKD	
10	9100001086	1	TUBE ADJUST.STEERING WHEEL SIP	
11	9100001088	1	GASKET ROUND D.2MM PKD	
12	9100000178	1	Printplaat Functies	
13	9100001157	2	SPRING MOVING BOTTON 10 PCS SET	
14	9100001158	2	SPRING TORSION FOR STEERING 10 PCS SET	
15	9100001089	1	COVER LOWER PKD	
16+7	9100002922	1	KLEEFSTUK VOOR HET CONTROLEREN VAN HET D	[1]
17	9100001354	1	Kontaktslot	
18	9097842000	1	Plate fixing steering wheel	
19	9100001085	2	BEARING FLANGE IGLIDUR GFM-4044-14 SIP	
20	146 2887 000	1	Sleutel 2 stuks	
21	9097792000	1	Aansluitkabel Dashboard	
22	9098719000	1	HARDWARE STEERING WHEEL KIT	[2]

Part Notes:

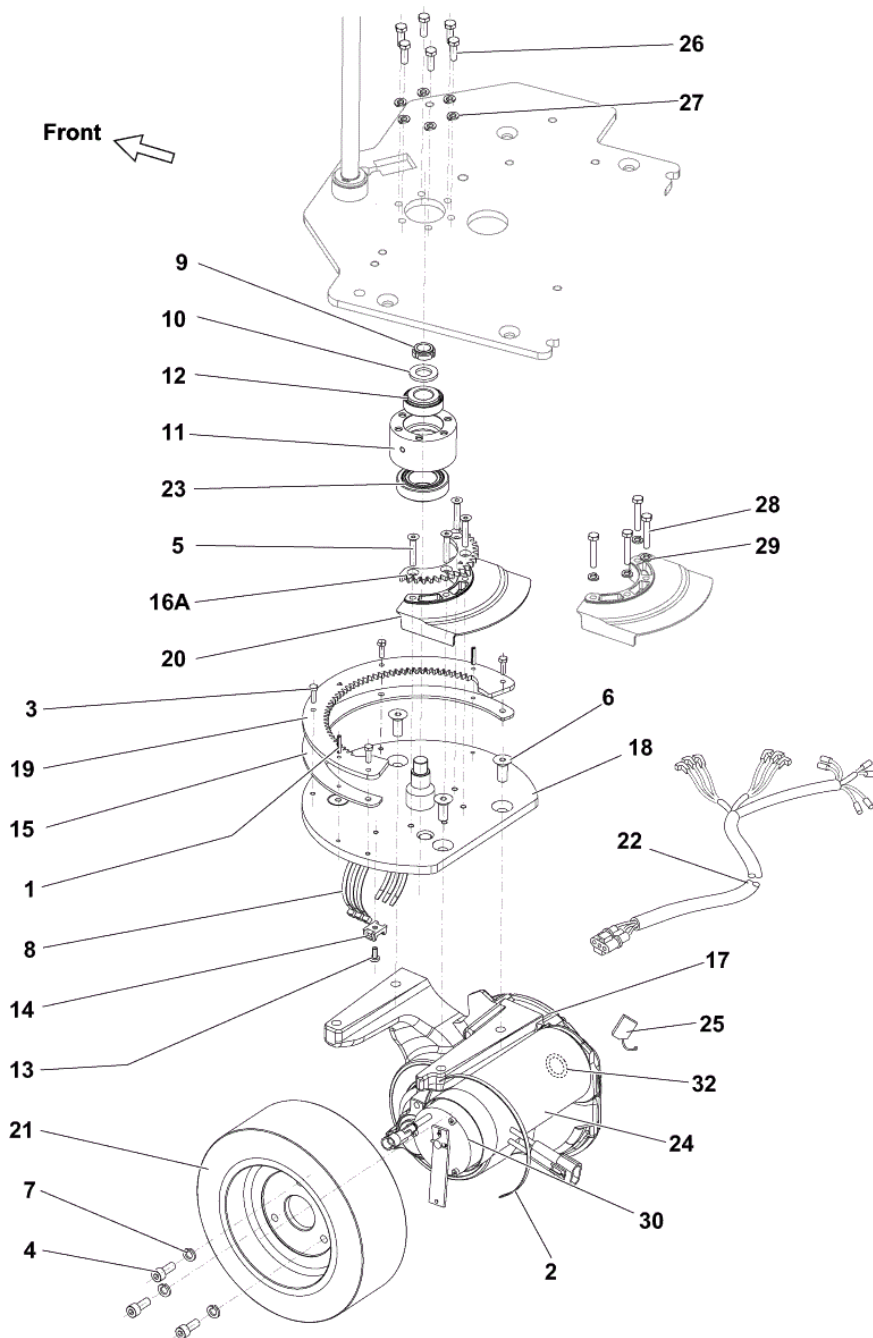
- [1] - TSB-FC-2018-020 SC500 control panel
DE TSB-FC-2018-020 SC500 Bedienpanel
- [2] - NOT SHOWN - Item 1-2-3-4-5



Pos.	Artikelnummer	Hoeveelheid	Omschrijving	Notes
4	1466146000	1	Spie 5X5X25 UNI6604A PKD	
10	909 5943 000	1	PIGNON STUURINRICHTING	
11	9100001701	1	SHAFT STEERING PHOS. PKD	
12	9097844000	1	SHAFT STEERING	
13	9100001450	1	TUBE STEERING KIT	[1]
15	9100002615	1	HARNES STEERING WHEEL SIP	[2]
16	9098166000	1	SCHROEF 8X40 M6 ISO7379 12.9 GEOMET 320A	
17A	9100001851	1	PLATE STEERING SUPPORT KIT	[3]
17B	9100001852	1	PLATE STEERING SUPPORT CYL KIT	[4]
18	1466319000	1	JOINT UNIVERSAL D.17 PKD	
19A	9098216000	2	BEARING FLANGE IGLIDUR MFM-3038-020	[3]
20	9100001436	1	HARNES FOOTBOARD DISC DECK SIP	[5]
20	9100001429	1	HARNES FOOTBOARD DISC DECK SIP	[6]
20	9100001438	1	HARNES FOOTBOARD CYL.DECK SIP	[7]
20	9100001431	1	HARNES FOOTBOARD CYL.DECK SIP	[8]
21	9100001449	1	HARDWARE STEERING SUPPORT KIT	[9]

Part Notes:

- [1] - SEE TSB IT 2011-076
- [2] - SEE INST. INSTR. 9100002613
- [3] - Only for BR 652 - BR 752
- [4] - Only for BR 752C NIL
- [5] - Only for BR 652 - BR 752
SEE INST. INSTR. 9100002613
- [6] - Only for BR 652 - BR 752
STARTING FROM S/N 3510160702622 -SEE TSB-FC-2015-030
SEE INST. INSTR. 9100002613
- [7] - SEE TSB-FC-2015-030 SEE PI 2017-002
Only for BR 752C NIL
SEE INST. INSTR. 9100002613
- [8] - Only for BR 752C NIL
STARTING FROMS/N 3510160702622 -SEE TSB-FC-2015-030
SEE INST. INSTR. 9100002613
- [9] - NOT SHOWN - Item 1-2-5-6-7-8-9-14-3 - SEE TSB IT 2011-076

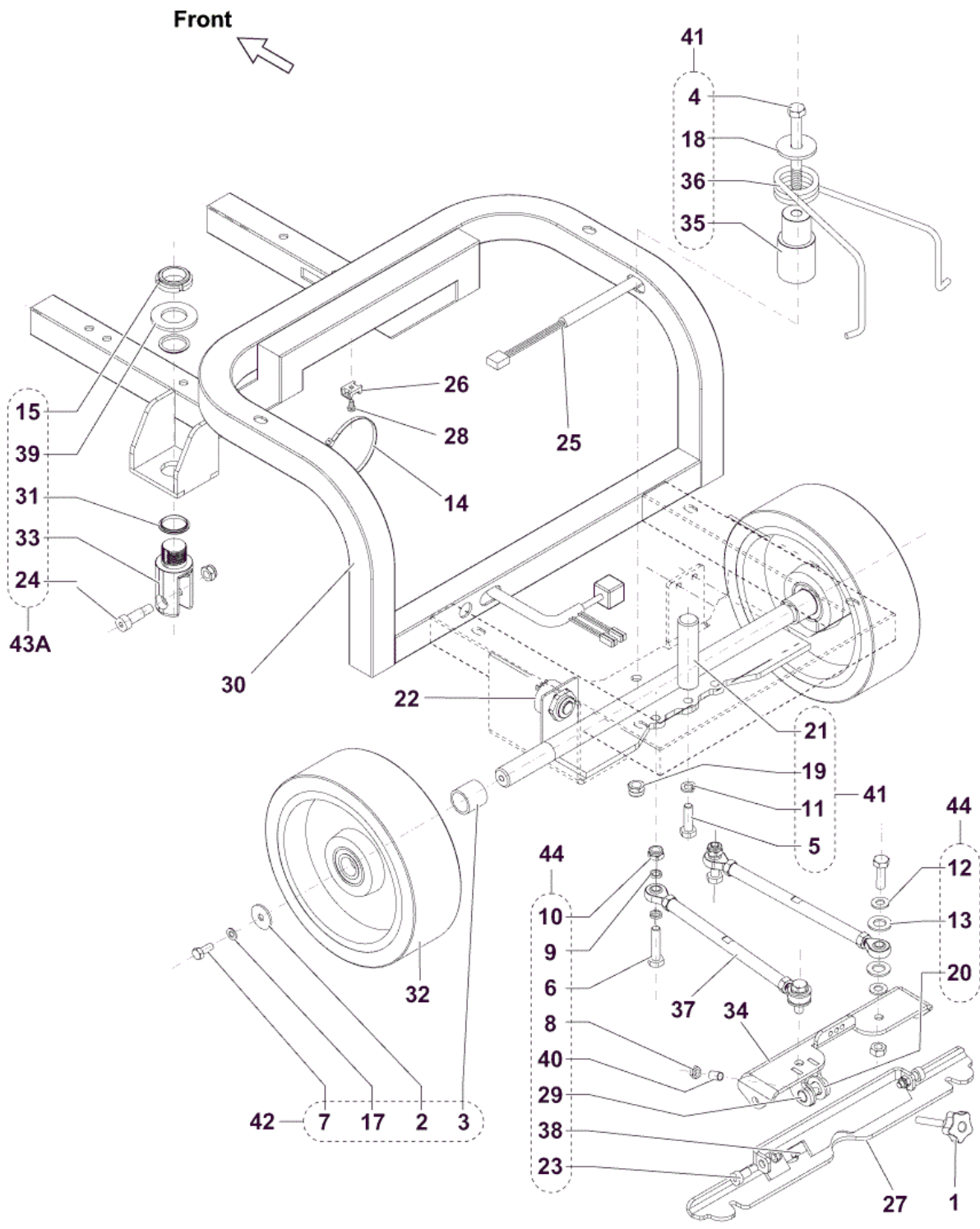


Resource notes:
31 - NOT SHOWN

Pos.	Artikelnummer	Hoeveelheid	Omschrijving	Notes
11	9100001734	1	SUPPORT BALL BEARING PHOS. PKD	
12	1467639000	1	BEARING TAPER ROLLER 32004X SIP	
15	9097807000	1	SPACER GALV. FOR GEAR SPUR	
16A	9097809000	1	GEAR MAIN Z45	[1]
17	9100000074	1	Aandrijfmotor 300W 24V KIT	
18	9100002206	1	BRACKET STEERING GALV. KIT	[2]
19	9097841000	1	KROON STUURINRICHTING Z100	
20	9098165000	1	PROTECTION DRIVE WHEEL WIRING	
21	9098407000	1	Aandrijf wiel	
22	9100002614	1	HARNES WHEEL MOTOR SIP	[3]
23	1467636000	1	BEARING TAPER ROLLER 32006 SIP	
24	9100002163	1	MOTOR ELECTRIC 300W 24V KIT	
25	9098627000	1	Koolborstels KIT 2 PCS Drivewheel	
30	9098626000	1	Elektrorem	
31	9098721000	1	HARDWARE DRIVE WHEEL KIT	[4]
32	9098800000	1	OIL SEAL 15X32X7	[5]

Part Notes:

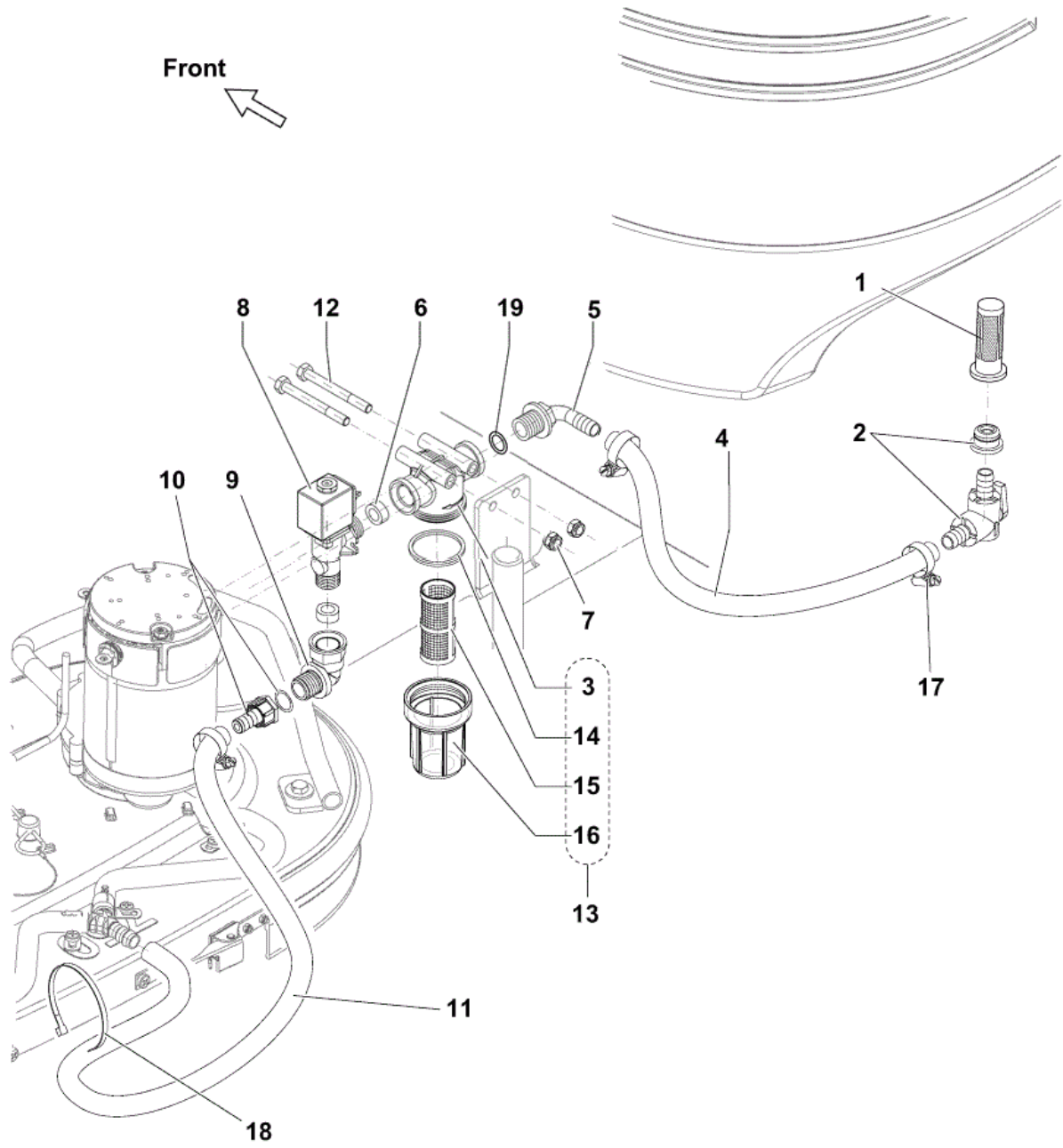
- [1] - Only for BR 652 - BR 752
- [2] - TSB-FC-2016-015 steering bracket BR652-SC3000
DE TSB-FC-2016-015 BR652 Scrubtec R4 Lenkungseinheit Halterung
- [3] - SEE INST. INSTR. 9100002613
- [4] - Item 26-27-9-10-5-28-29-3-1-6-8-14-13-7-4-2
- [5] - For MOTOR WHEEL 9097834000



Pos.	Artikelnummer	Hoeveelheid	Omschrijving	Notes
1	9099136000	1	HANDWHEEL M8x55	
22	909 6126 000	1	BUZZER 5-32V	
25	9098236000	1	HARNES REAR MACHINE	
27	9098390000	1	SUPPORT SQUEEGEE DOWN	
30	9097798000	1	CHASSIS BR652	
32	9100000772	2	WHEEL D.254 80SH GREY PKD	
34	9097827000	1	SUPPORT SQUEEGEE UPPER	
37	9100001090	2	ROD EYE M10 PKD	
41	9098722000	1	CENTRING SQUEEGEE KIT	[1]
42	9098723000	1	FIXING WHEELS KIT	[2]
43A	9098724000	1	BRACKET TURNING KIT	[3]
44	9098725000	1	Zuigmond ophanging Kit Cpl.	[4]

Part Notes:

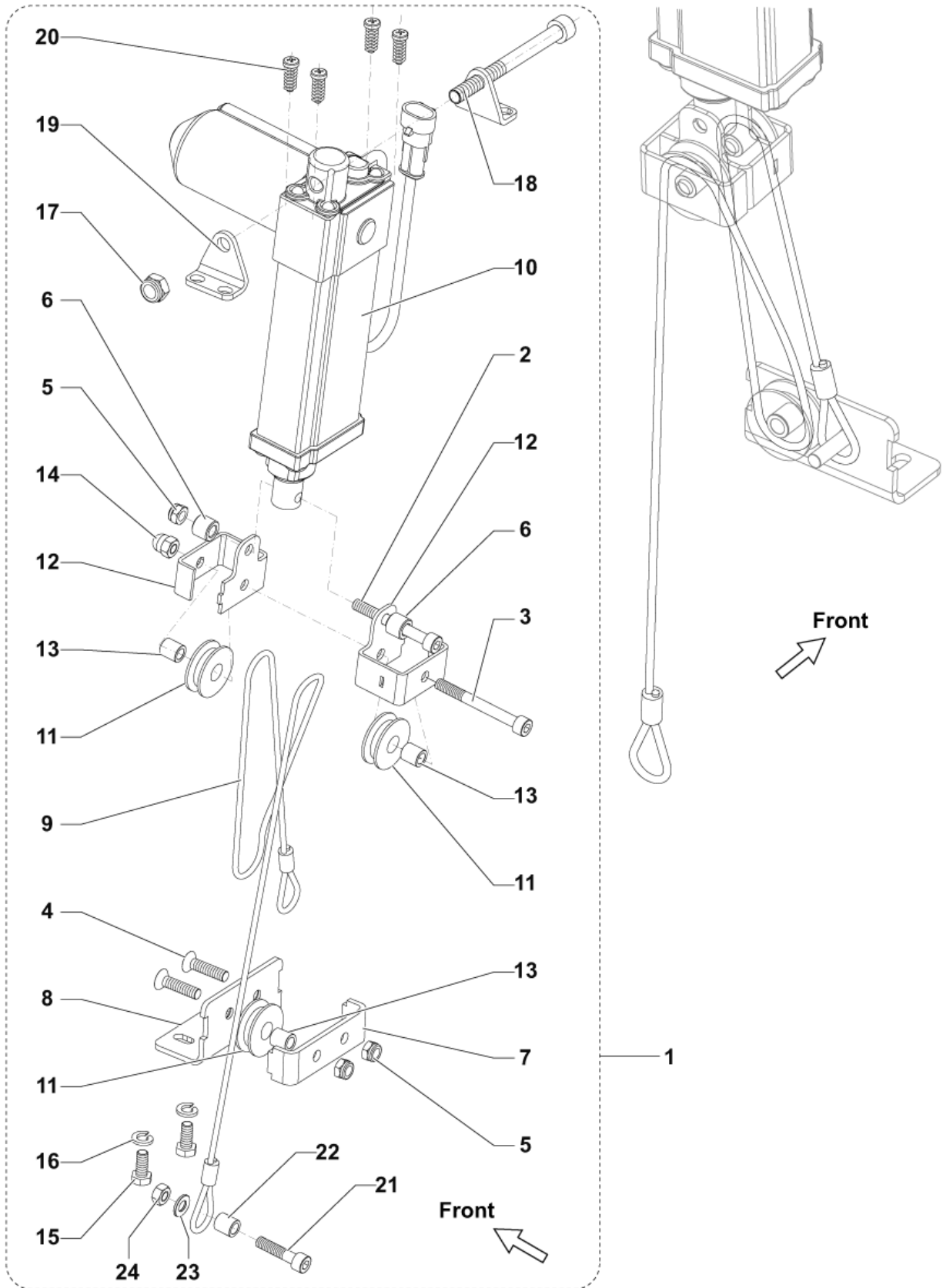
- [1] - Item 4-18-36-35-21-19-11-5
- [2] - Item 7-17-2-3
- [3] - Item 24-33-31-39-15 (Only for BR 652 - BR 752)
- [4] - Item 10-9-6-8-40-29-38-23-12-13-20



Pos.	Artikelnummer	Hoeveelheid	Omschrijving	Notes
1	9100001353	1	FILTER SOLUTION TANK PKD	[1]
2	9097626000	1	Valve elbow kit	
4	9098120000	1	HOSE PVC W/SPIRAL D12X18 L.323MM PKD	
5	909 6087 000	1	Bocht 90 m1/2	
6	9100000622	3	Dichtingsrubber D.11.5x19x5	
8	909 6555 000	1	Solenoid Valve 24V	
9	9100000894	1	ELBOW CURVED M/F PKD	
10	9100002148	1	BARB HOSE STRAIGHT 1/2 D.13 PLAST. KIT	
11	9097821000	1	Slang 12 x 1020 MM	
13	9098115000	1	Water Filter	
14	9097943000	1	PAKING VOOR WATER FILTERS	
15	9097944000	1	FILTER NET SS 50 MESH FOR WATE	
16	9097945000	1	COVER TRANSPARENT FOR WATER FIL	
19	9100002332	1	O-RING 5X20 METRIC NBR 70SH 2PCS SET	
20	9098726000	1	HARDWARE SOLENOID VALVE KIT	[2]

Part Notes:

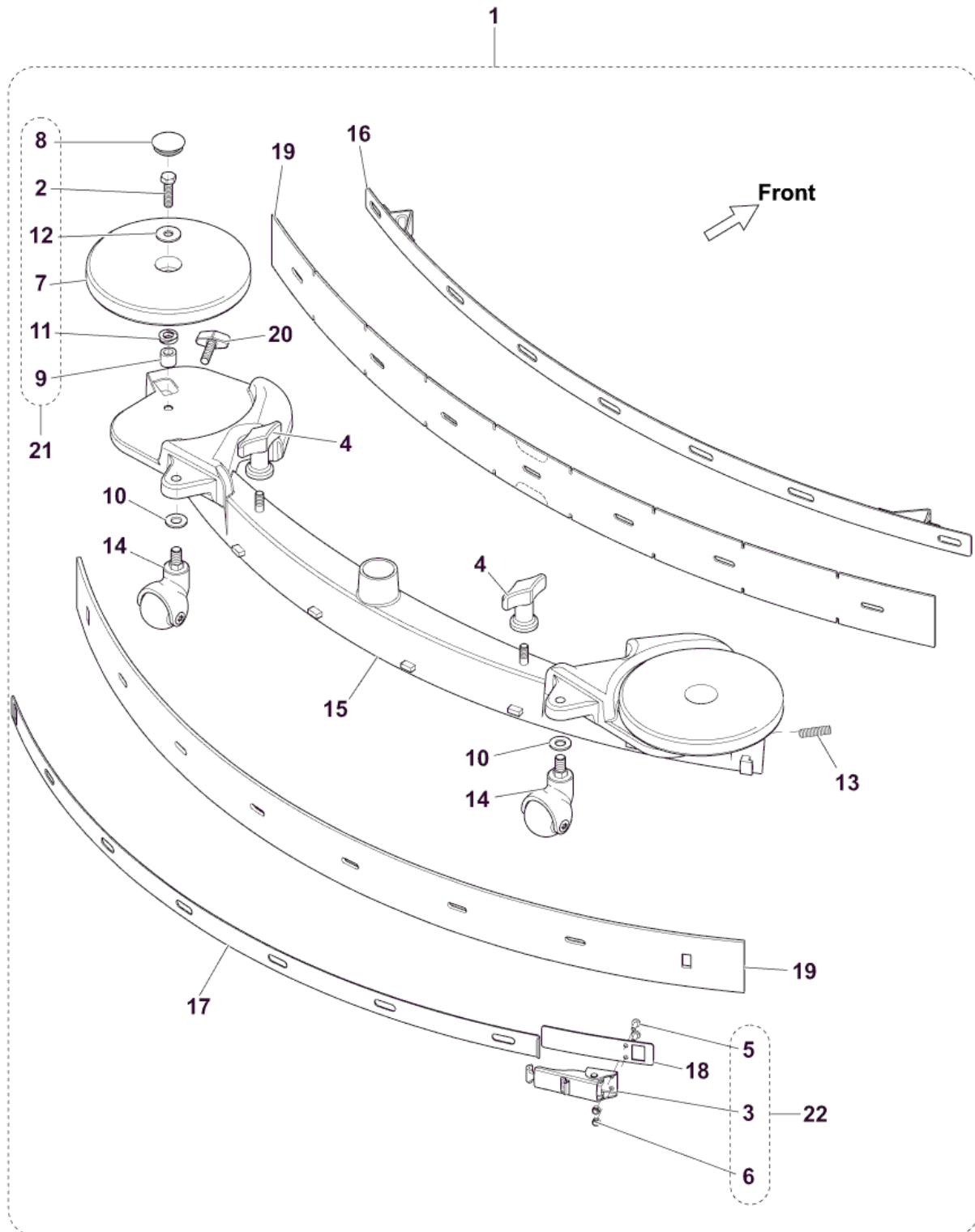
- [1] - Optional
 [2] - NOT SHOWN - Item 12-7-17-18



Pos.	Artikelnummer	Hoeveelheid	Omschrijving	Notes
1	9098708000	1	SQUEEGEE LIFTING KIT	
9	9097933000	1	CABLE SQUEEGEE LIFTING	
10	9100000682	1	ACTUATOR LINEAR 24V DC STRK 100MM PKD	
11	9098248000	3	PULLEY PLASTIC D.30	
K1	9100002757	1	HARDWARE SQUEEGEE LIFTING SYSTEM KIT	[1]

Part Notes:

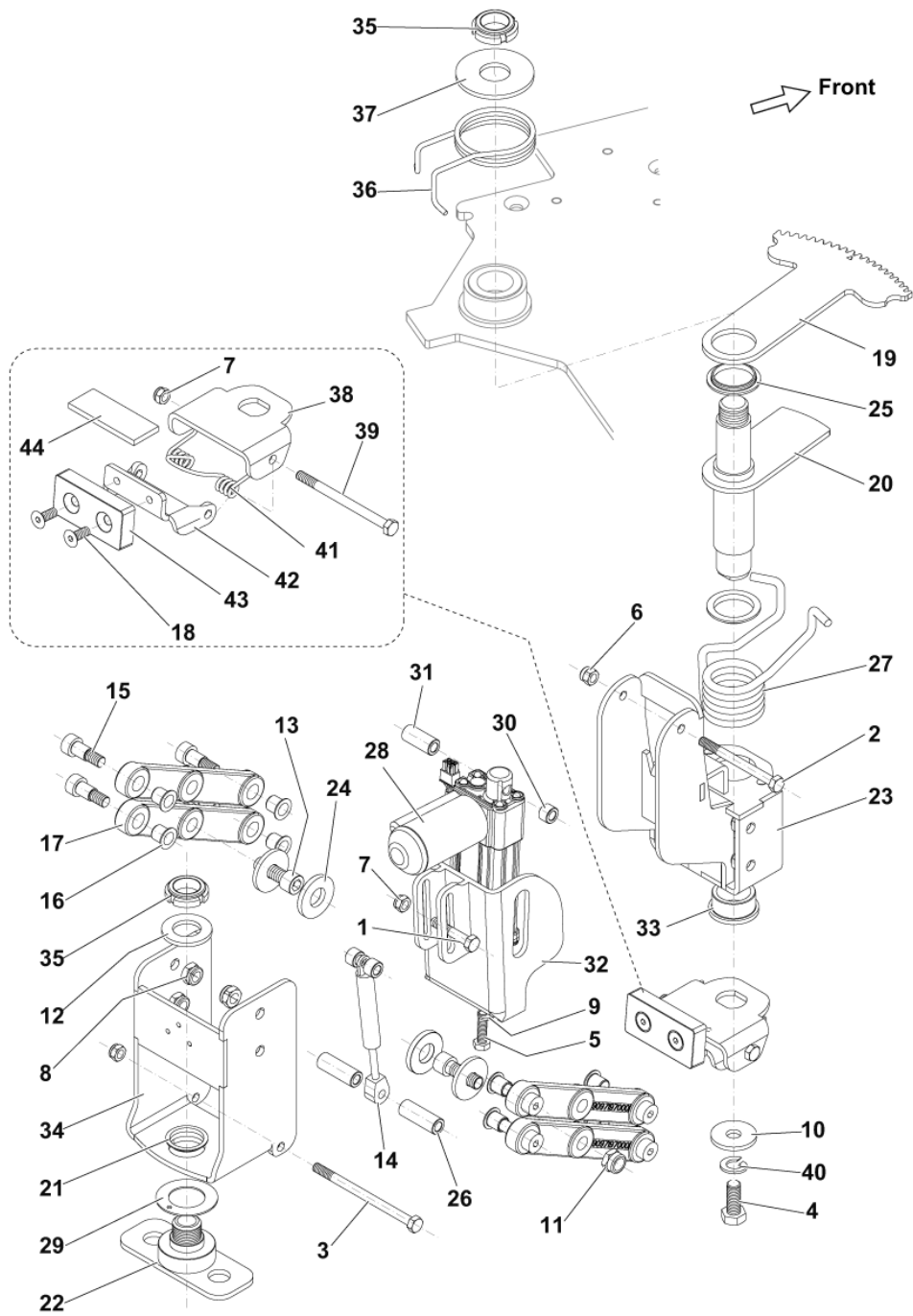
[1] - NOT SHOWN - ITEM 2-3-4-5-6-7-8-13-14-15-16-17-18-19-20-21-22-23-24



Pos.	Artikelnummer	Hoeveelheid	Omschrijving	Notes
1	9098728000	1	VOLLEDIGE MONDSTUK PU 890MM	
4	9097637000	1	SQUEEGEE FIXING KIT	
13	909 6600 000	1	Borgschroef M8x30 cup point	
14	9099163000	2	WHEEL CASTOR D.42	
15	9098379000	1	WELDMENT SQUEEGEE TOOL890MM/35	
16	9098380000	1	STRAP FRONT SQUEEGEE 35 INCH	
17	9098381000	1	STRAP SKIRT REAR RIGHT 35 INCH	
18	9098382000	1	STRAP SKIRT REAR LEFT 35 INCH	
19	9099855000	1	Zuigstripset PU 35/890mm	
19	9097804000	1	Zuigstripset 35 inch gum 890mm	[1]
20	9100000791	1	KNOB M8X30 THD STUD SS PKD	
21	909 6887 000	2	Bumper roller kit	[2]
22	909 6394 000	1	Klem zuigmond	[3]

Part Notes:

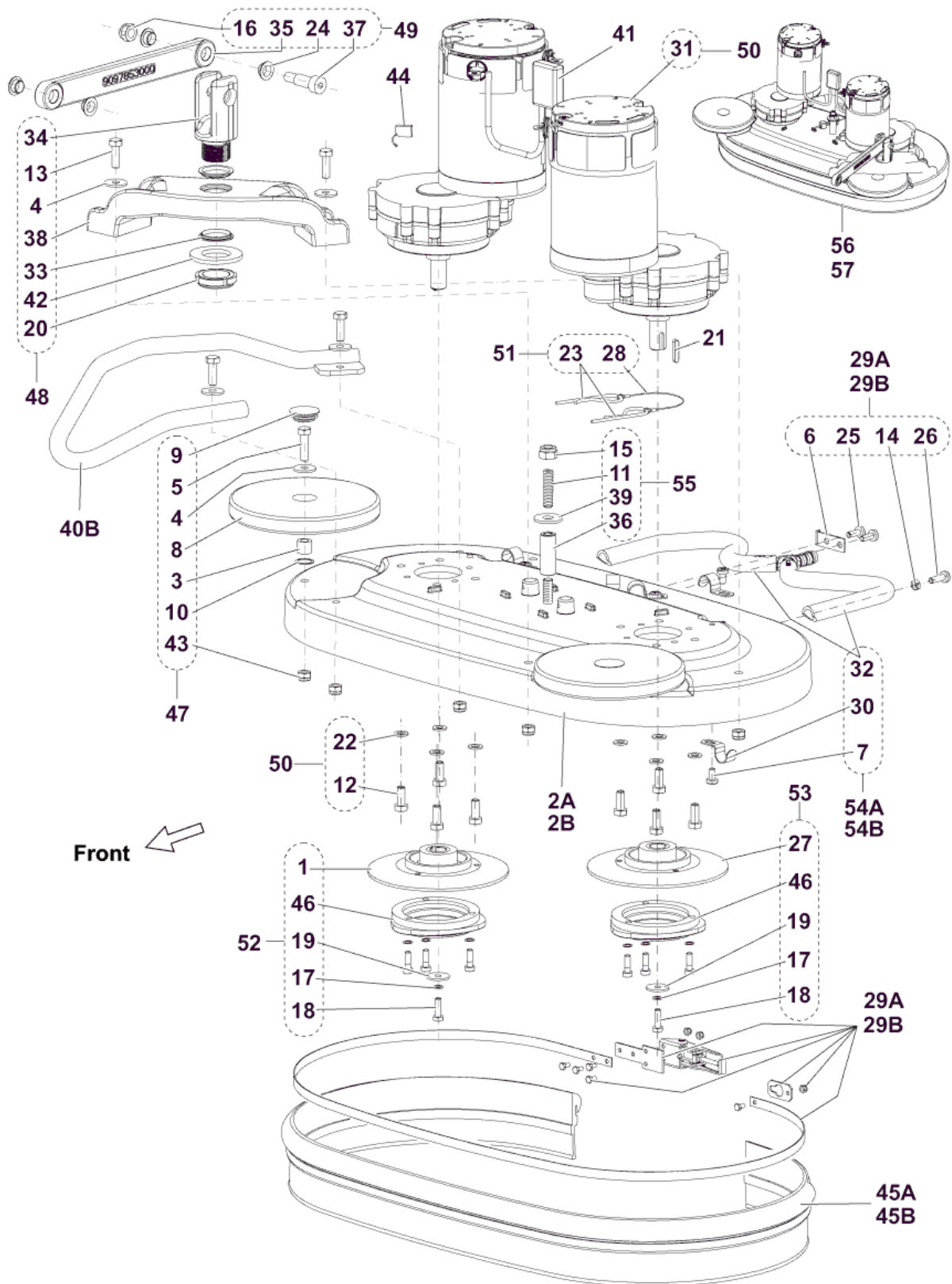
- [1] - Optional
- [2] - Item 9-11-7-12-2-8
- [3] - Item 3-5-6



Pos.	Artikelnummer	Hoeveelheid	Omschrijving	Notes
14	909 5637 000	1	Gasveer	
15	909 6520 000	8	Schroef 12X16 M10 ISO7379 12.9 GEOMET320	
16	9097008000	8	Ring	
17	9097197000	4	Hefboom	
19	9097810000	1	GEAR SLAVE	
20	9097811000	1	PIN SLAVE GEAR	
21	9100000902	1	BEARING FLANGE IGLIDUR 2 PCS SET	
22	9097819000	1	BRACKET ROTATING SUPPORT DECK	
23	9097822000	1	SUPPORT JACK	
24	9097824000	2	BUSH D.18.2X40	
25	9097835000	2	BEARING FLANGE IGLIDUR GFM-3539-058	
26	9097836000	2	SPACER D. 8.5X15X42	
27	9097850000	1	SPRING DRAGGING DECK	
28	9100000681	1	ACTUATOR LINEAR 24V DC STRK 66MM PKD	
29	9100000903	1	WASHER THRUST GTM 3254-015 SIP	
30	9097938000	3	SPACER D. 8.5X15X10	
31	9097939000	1	SPACER D. 8.5X15X33	
32	9098176000	1	BRACKET LOWER JACK MOTOR	
33	9098216000	1	BEARING FLANGE IGLIDUR MFM-3038-020	
34	9098220000	1	BRACKET SUPPORT DECK	
35	33005721	2	Ring moer	
36	9097851000	1	SPRING ZERO SETTING BRUSH	
37	9098239000	1	WASHER PLAIN D.25.5X65X4 GALV.	
38	9098195000	1	FLANGE UP DRAGGING	
41	9098197000	1	SPRING INSERTION DRAGGING	
42	9098196000	1	FLANGE DOWN DRAGGING	
43	9097813000	1	GUIDE DRAGGING DECK (ZWART BLOKJE)	
44	9098857000	1	RUBBER ANTISHOCK	
45	9098727000	1	HARDWARE BRUSH DECK SUPPORT KI	[1]

Part Notes:

[1] - NOT SHOWN - Item 40-18-39-6-2-13-1-7-9-5-10-4-11-3-8-12



Pos.	Artikelnummer	Hoeveelheid	Omschrijving	Notes
2A	9099414000	1	DECK BRUSH 650MM	[1]
2B	9099415000	1	Borstel voor borsteldeck BR752/750mm	[2]
21	1466146000	2	Spie 5X5X25 UNI6604A PKD	
29A	909 5398 000	1	Spatrandbevestigingskit	[1]
29B	909 5407 000	1	Spatrandkit BA 750S	[2]
40B	9098243000	1	PROTECTION BRUSH DECK 750	[2]
41	9098374000	1	HARNES BRUSH DECK	
41	9100002248	1	CONNECTOR 50A RED SIP	
44	909 5380 000	2	Koolborstelset (4pcs)Borstelmotor	[3]
44	9100000421	2	Koolborstelkit (4) incl.houder	[4]
44	L08603949	2	Koolborstel set	[5]
45A	9097474000	1	SPLASH GUARD W/BRISTLES	[6]
45A	909 5224 000	1	Spatrand BA 650	[1]
45B	9097475000	1	Anti-spad behaardering	[7]
45B	909 5345 000	1	Spatrand BA 750	[2]
46	L08812480	2	Flens borstel BA 450/530	
47	909 6887 000	2	Bumper roller kit	[8]
48	9098730000	1	KIT SUPPORT	[9]
49	9098731000	1	As zijarm	[10]
50	9100001657	2	REDUCTION GEAR MOTOR 400W 24V KIT	[11]
51	909 6354 000	1	KaRiemje	[12]
52	9097640000	1	HOLDER POLYGONAL RIGHT KIT	[13]
53	9097640000	1	HOLDER POLYGONAL RIGHT KIT	[14]
54A	9097644000	1	HOSE WATER BRUSH DECK KIT	[15]
54B	9097645000	1	Waterslang 750 mm.	[16]
55	9098732000	1	FIXING DECK KIT	[17]
56	9098741000	1	Schrobdek 650mm/26 inch	[18]
57	9098742000	1	Schrobdek 750mm/28 inch	[18]

Part Notes:

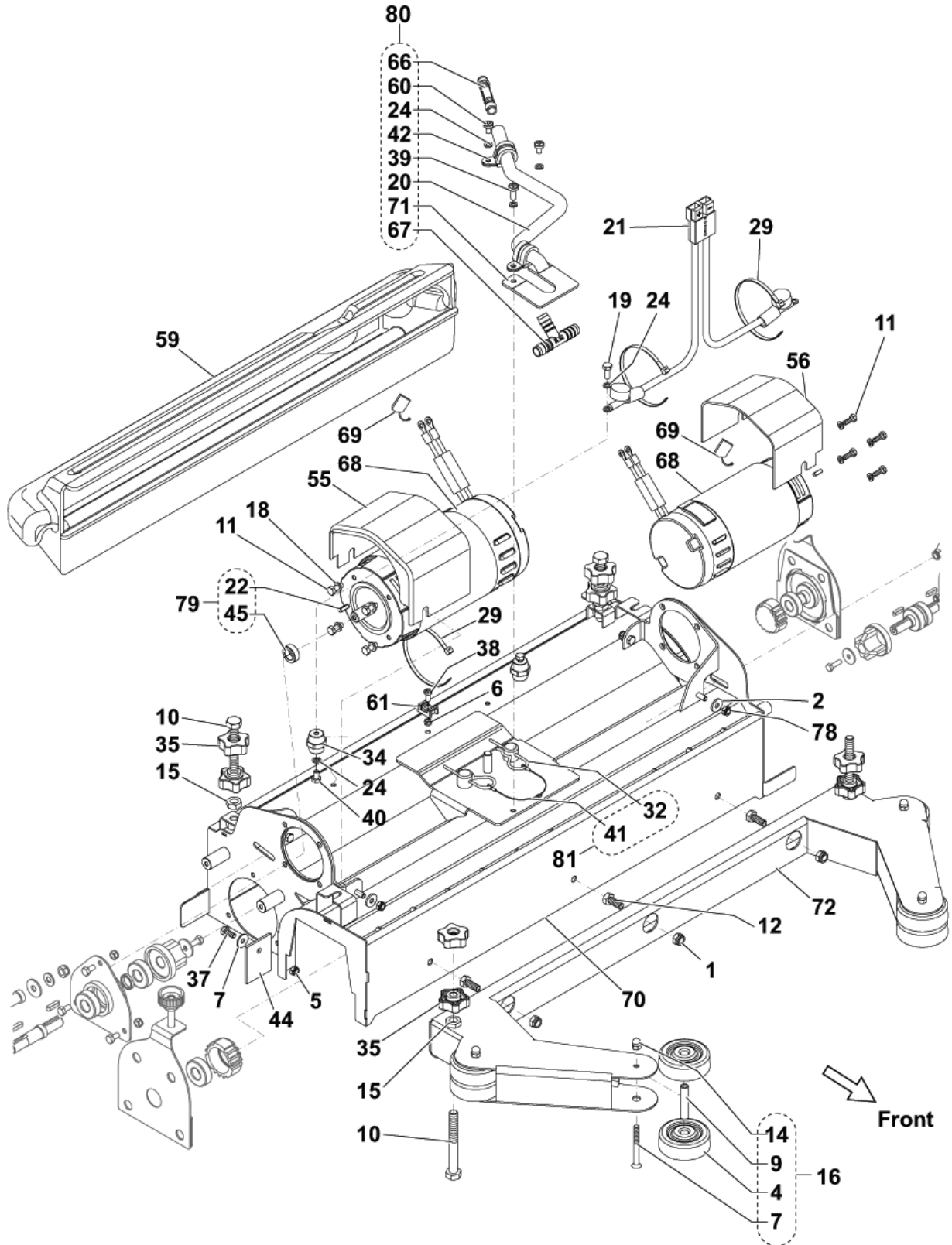
- [1] - For BR 652
- [2] - For BR 752
- [3] - STOCK COVERS GUARANTEE FOR OLD MOTOR 9097638000 (LEROY SOMER)
- [4] - STOCK COVERS GUARANTEE FOR MOTOR 9100000309 (LEROY SOMER)
- [5] - For motor code 9100001657 (AMER)
- [6] - Optional for BR 652
- [7] - Optional for BR 752
- [8] - Item 4-5-9-8-3-10-43
- [9] - Item 13-34-4-38-33-42-20
- [10] - Item 16-24-35-37
- [11] - Item 31-21-22-12-44
SEE TSB-FC-2015-034
- [12] - Item 23-28
- [13] - Item 1-19-17-18
- [14] - Item 27-19-17-18
- [15] - Item 7-30-32 for BR 652
- [16] - Item 7-30-32 for BR 752
- [17] - Item 15-11-39-36
- [18] - COMPLEXITY REDUCTION
Product Bulletin PB SD 2012-005

Pos.	Artikelnummer	Hoeveelheid	Omschrijving	Notes
12	9097920000	1	SPACER D. 8.5X15X38	[1]
14	9097008000	6	Ring	
15	9097197000	3	Hefboom	
16	9100000902	2	BEARING FLANGE IGLIDUR 2 PCS SET	
17	9097824000	2	BUSH D.18.2X40	
18	9097835000	1	BEARING FLANGE IGLIDUR GFM-3539-058	
19	9097850000	1	SPRING DRAGGING DECK	
20	9100000903	2	WASHER THRUST GTM 3254-015 SIP	
21	9098121000	1	SPACER D.31X50X14.5 NYLON	[2]
22	9098216000	1	BEARING FLANGE IGLIDUR MFM-3038-020	
23	9098409000	1	BRACKET SUPPORT CYL.DECK	[3]
24	9098410000	1	SUPPORT JACK CYL.DECK	[2]
25	9098411000	1	BRACKET LOWER JACK MOTOR CYL.D	[1]
26	9098415000	1	PLATE SPRING SUPPORT	[1]
27	9098416000	1	PIN SUPPORT JACK MOTOR CYL.DEC	[1]
28	9100000683	1	ACTUATOR LINEAR 24V DC STRK 46MM PKD	[4]
29	9098418000	1	BRACKET ROTATING SUPPORT CYL.D	[1]
30	145 2381 000	1	TUSSENSTUK	[1]
31	33005721	2	Ring moer	
32	9098420000	1	SUPPORT ROTATING CYL.DECK	[1]
33	146 0549 000	3	Lager flange	
35	9098419000	1	ARM SIDE CYLINDRICAL DECK	[1]
36	9098421000	1	ARTICULATED JOINT FOR CYL DECK	[1]
38	9098733000	1	HARDWARE CYL.BRUSH DECK SUPPOR	[5]

Part Notes:

- [1] - STOCK COVERS GUARANTEE
only for BR 752C NIL
- [2] - NO LONGER AVAILABLE
only for BR 752C NIL
- [3] - STOCK COVERS GUARANTEE

only for BR 752C NIL
- [4] - only for BR 752C NIL
- [5] - NOT SHOWN - Item 37-34-13-5-10-4-9-6-11-2-8-3-7-1
only for BR 752C NIL



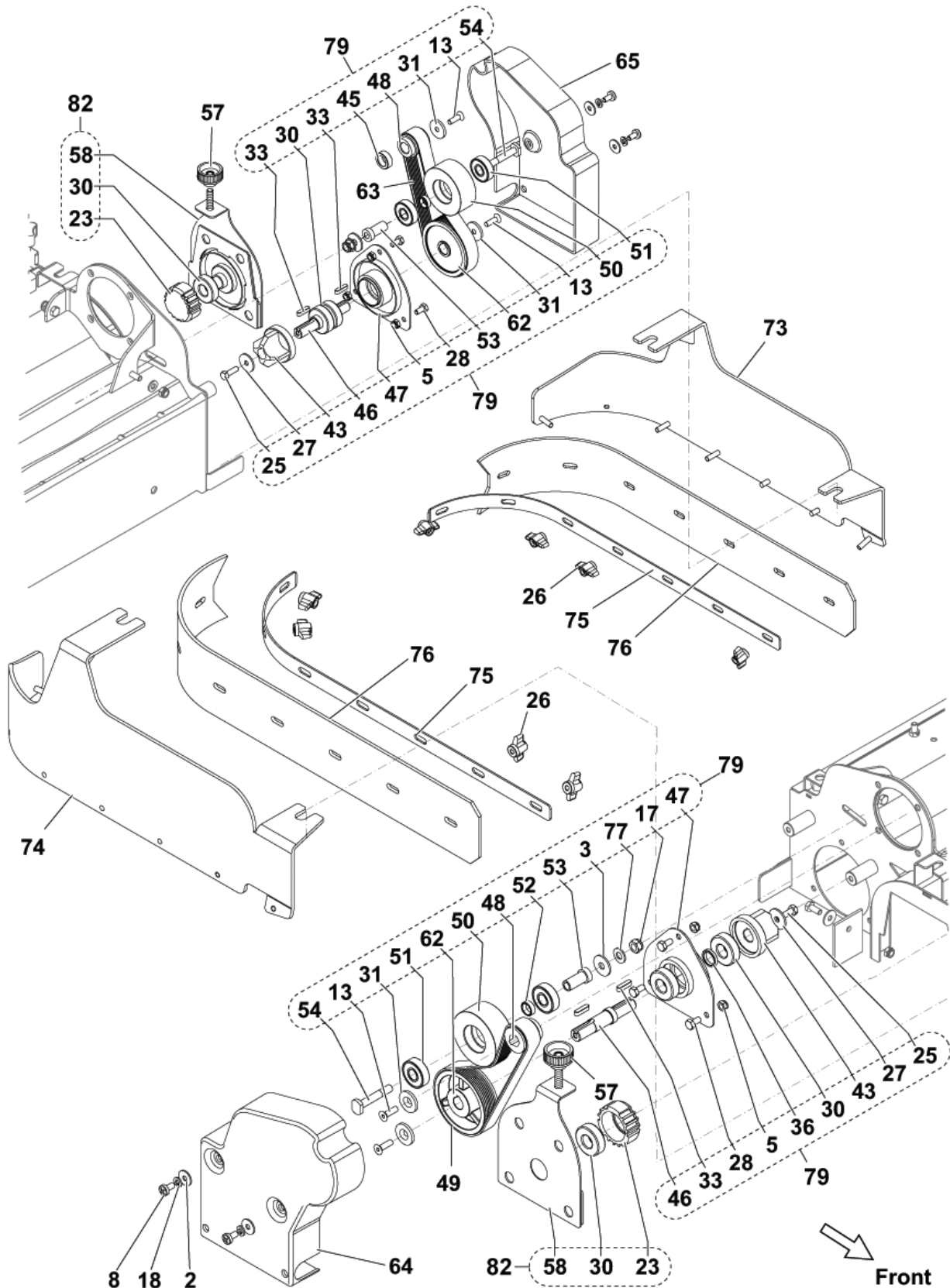
Resource notes:
83 - NOT SHOWN

Pos.	Artikelnummer	Hoeveelheid	Omschrijving	Notes
16	9098736000	4	Bumper rollerkit	[1]
21	9098658000	1	HARNES FOR CYLINDRICAL BRUSH DECK	[2]
21	9100002248	1	CONNECTOR 50A RED SIP	
23	56115273	2	HUB-IDLER	
26	909 6356 000	2	Wing Nuts kit	
30	145 2361 000	6	Kogellager 6202 2RS1	
34	146 0708 000	2	INSULATOR M6 WHITE	
35	1467036000	8	KNOB LOBES M10 FEMALE PKD	
43	909 5728 000	2	Hub borstel	
44	909 5752 000	2	Guard splash cyl deck	
48	909 5758 000	2	POULIE	
49	909 5761 000	1	Snaar Poly 11J/04838	
50	909 5762 000	2	ROLLER BELT TENSIONER	
51	9100002018	4	BEARING BALL 6201 2RS1 SIP	
55	909 5802 000	1	Crakcase Motor Protect	
56	909 5803 000	1	Crankcase Motor Pretekt	
57	909 5964 000	2	KNOP M8	
59	909 6225 000	1	Container dirt	
61	909 6595 000	1	bevestigingsklem	
62	909 6730 000	2	PULLEY POLY-V	
63	909 6731 000	1	Snaar Poly 457J8	
64	909 6785 000	1	Riem beschermer	
65	909 6786 000	1	CRANKCASE.BELT PROTECTION	
68	9099858000	2	Electrische motor kit 600W 24V	
69	L08603949	2	Koolborstel set	
70	9097847000	1	FRAME CYLINDRICAL DECK 750	[3]
72	9097936000	1	PROTECTION CYL.BRUSH DECK 750	[4]
73	9097952000	1	Linkse zijflap houder	[2]
74	9097956000	1	SUPPORT CYL.DECK RIGHT SIDE SKIRT	[2]
75	9097959000	2	PLATE SIDE SKIRT CYL.DECK	[2]
76	9097960000	2	BRUSH HOUSING LEFT 28 INCH	[3]
79	9098734000	2	WHEEL CASTOR D.42	[5]
80	9098735000	1	PIPE WATER KIT	[6]
81	909 6354 000	1	KaRiemje	[7]
82	9098737000	2	SUPPORT BRUSH KIT	[8]
83	9098738000	1	HARDWARE CYL.BRUSH DECK KIT	[9]

Part Notes:

- [1] - Item 14-4-9-7
only for BR 752C NIL
- [2] - STOCK COVERS GUARANTEE
only for BR 752C NIL
- [3] - only for BR 752C NIL
- [4] - STOCK COVERS GUARANTEE

only for BR 752C NIL
- [5] - Item 3-5-13-17-22-25-27-28-31-30-33-36-43-45-46-47-48-50-51-52-53-54-62-77
only for BR 752C NIL
- [6] - Item 20-39-42-60-66-67-71
only for BR 752C NIL
- [7] - Item 32-41
- [8] - Item 58-30-23
only for BR 752C NIL
- [9] - NOT SHOWN - Item 1-2-6-8-10-11-12-15-18-19-24-29-37-38-40-78
only for BR 752C NIL

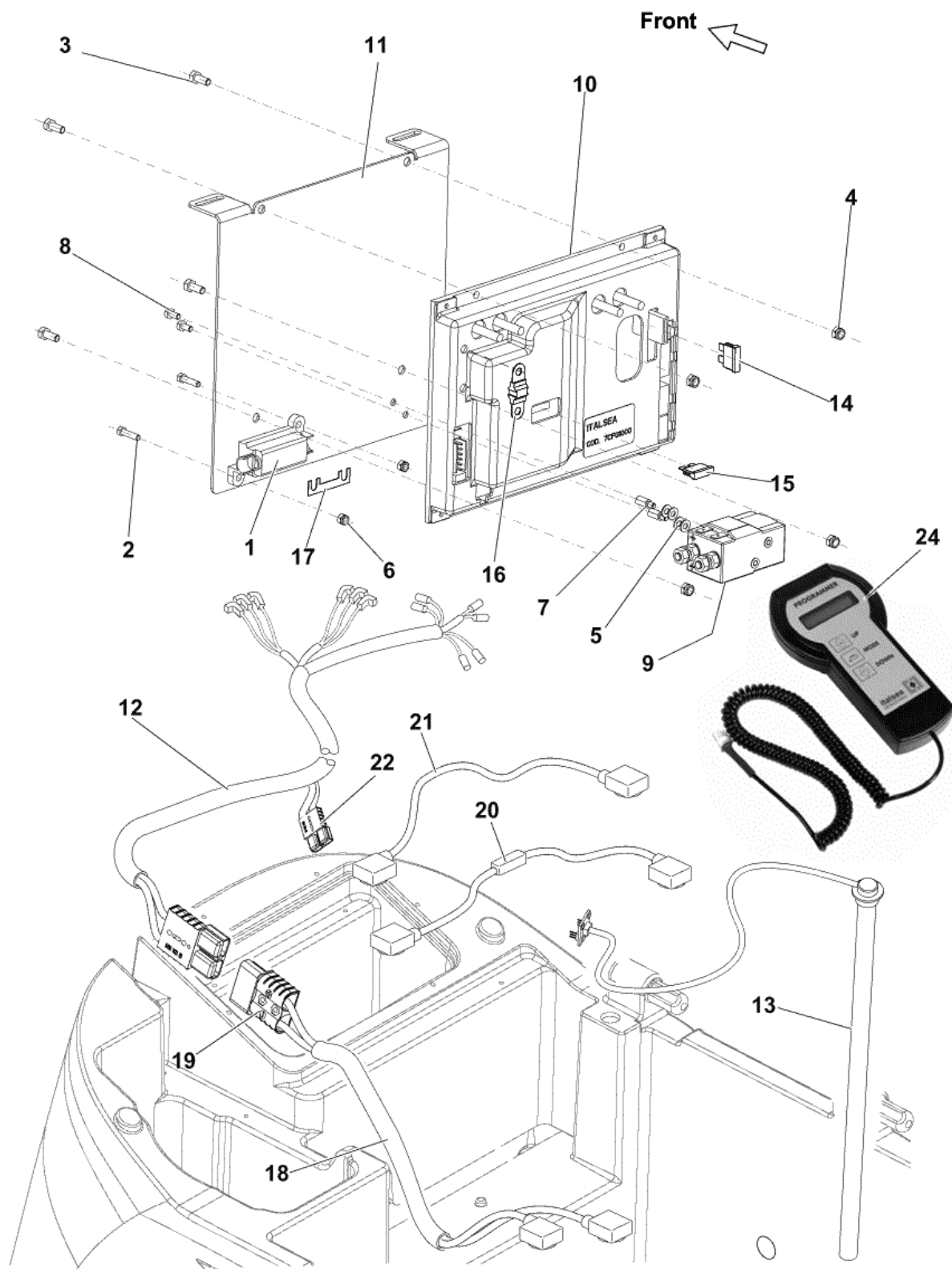


Resource notes:
83 - NOT SHOWN

Pos.	Artikelnummer	Hoeveelheid	Omschrijving	Notes
16	9098736000	4	Bumper rollerkit	[1]
21	9098658000	1	HARNES FOR CYLINDRICAL BRUSH DECK	[2]
21	9100002248	1	CONNECTOR 50A RED SIP	
23	56115273	2	HUB-IDLER	
26	909 6356 000	2	Wing Nuts kit	
30	145 2361 000	6	Kogellager 6202 2RS1	
34	146 0708 000	2	INSULATOR M6 WHITE	
35	1467036000	8	KNOB LOBES M10 FEMALE PKD	
43	909 5728 000	2	Hub borstel	
44	909 5752 000	2	Guard splash cyl deck	
48	909 5758 000	2	POULIE	
49	909 5761 000	1	Snaar Poly 11J/04838	
50	909 5762 000	2	ROLLER BELT TENSIONER	
51	9100002018	4	BEARING BALL 6201 2RS1 SIP	
55	909 5802 000	1	Crakcase Motor Protect	
56	909 5803 000	1	Crankcase Motor Pretekt	
57	909 5964 000	2	KNOP M8	
59	909 6225 000	1	Container dirt	
61	909 6595 000	1	bevestigingsklem	
62	909 6730 000	2	PULLEY POLY-V	
63	909 6731 000	1	Snaar Poly 457J8	
64	909 6785 000	1	Riem beschermer	
65	909 6786 000	1	CRANKCASE.BELT PROTECTION	
68	9099858000	2	Electrische motor kit 600W 24V	
69	L08603949	2	Koolborstel set	
70	9097847000	1	FRAME CYLINDRICAL DECK 750	[3]
72	9097936000	1	PROTECTION CYL.BRUSH DECK 750	[2]
73	9097952000	1	Linkse zijflap houder	[2]
74	9097956000	1	SUPPORT CYL.DECK RIGHT SIDE SKIRT	[2]
75	9097959000	2	PLATE SIDE SKIRT CYL.DECK	[2]
76	9097960000	2	BRUSH HOUSING LEFT 28 INCH	[3]
79	9098734000	2	WHEEL CASTOR D.42	[4]
80	9098735000	1	PIPE WATER KIT	[5]
81	909 6354 000	1	KaRiemje	[6]
82	9098737000	2	SUPPORT BRUSH KIT	[7]
83	9098738000	1	HARDWARE CYL.BRUSH DECK KIT	[8]

Part Notes:

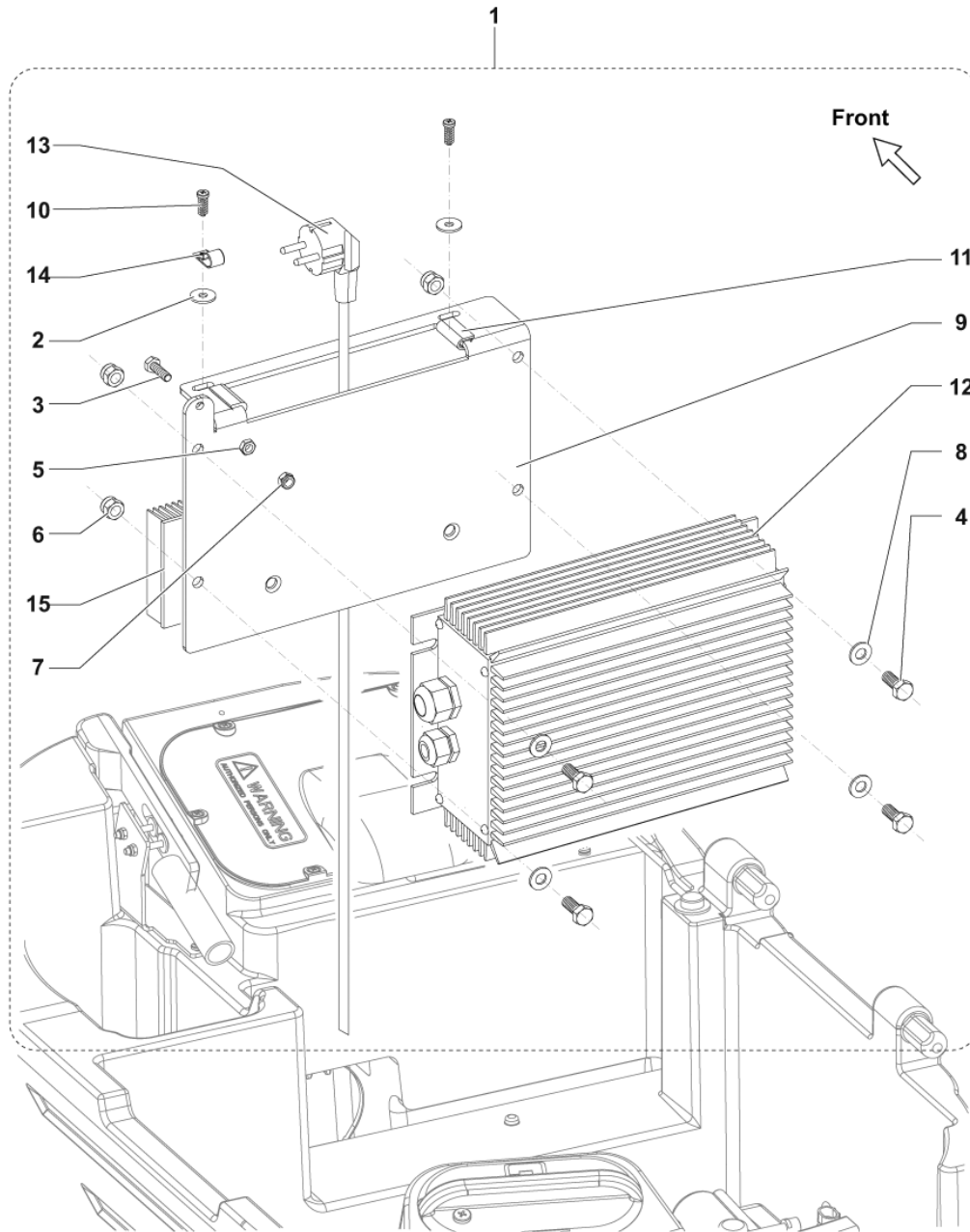
- [1] - Item 14-4-9-7
only for BR 752C NIL
- [2] - STOCK COVERS GUARANTEE
only for BR 752C NIL
- [3] - only for BR 752C NIL
- [4] - Item 3-5-13-17-22-25-27-28-31-30-33-36-43-45-46-47-48-50-51-52-53-54-62-77
only for BR 752C NIL
- [5] - Item 20-39-42-60-66-67-71
only for BR 752C NIL
- [6] - Item 32-41
- [7] - Item 23-33-58
only for BR 752C NIL
- [8] - NOT SHOWN - Item 1-2-6-8-10-11-12-15-18-19-24-29-37-38-40-78
only for BR 752C NIL



Pos.	Artikelnummer	Hoeveelheid	Omschrijving	Notes
1	145 8046 000	1	Houder	
9	9097208000	1	SWITCH ELECTROMAGNETC 24V	
10	9100000183	1	Printplaat Traction	[1]
10	9100000024	1	Elektronische kaart	[2]
11	9097860000	1	PLATE FIXING ELECTRONIC CARD	
12	9098190000	1	HARNESS EL.COMPON.BOX	[3]
12	9099681000	1	HARNESS ELECTRICAL COMPONENTS BOX	[4]
13	9100002989	1	SOLUTION LEVEL SENSOR KIT	[5]
13	9100002989	1	SOLUTION LEVEL SENSOR KIT	[6]
14	9100000878	1	FUSE BLADE 3A PKD	
15	145 9853 000	1	Zekering 15 A Diablo	
16	9100000877	1	FUSE MIDIFUSE 100A SIP	
17	145 9854 000	1	Zekering 50A diablo	
18	9100001956	1	Batterij bekabeling	
19	9100002117	2	CONNECTOR RED 120A PKD	
20	9098526000	1	Accukabel met Zekering	
21	9097590000	1	Kabel Voor Batterij	
22	9100002248	1	CONNECTOR 50A RED SIP	
23	9098739000	1	HARDWARE ELECTRIC COMPONENTS KIT	[7]
24	1466207000	1	PROGRAMMER F ELECTRONIC CARDS SIP	[8]

Part Notes:

- [1] - Only to mach with 9097834000 (Drive Wheel) - UNTIL S/N 3510133204430
- [2] - SEE TSB-FC-2013-117
STARTING FROMS/N 3510133204431
SEE INST. INSTR. 9100000100
- [3] - UNTIL S/N 3510122204473 - SEE TSB IT 2012-087
- [4] - STARTING FROM S/N 3510122204474 - SEE TSB IT 2012-087
- [5] - INSTALLATION INSTRUCTION FOR 9100002989 KIT
TSB-FC-2019-002 New Capacitive Water Level Sensor BR652-SC3000
- [6] - TSB-FC-2019-002 New Capacitive Water Level Sensor BR652-SC3000
- [7] - NOT SHOWN - Item 2-3-4-5-6-7-8
- [8] - SERVICE TOOL



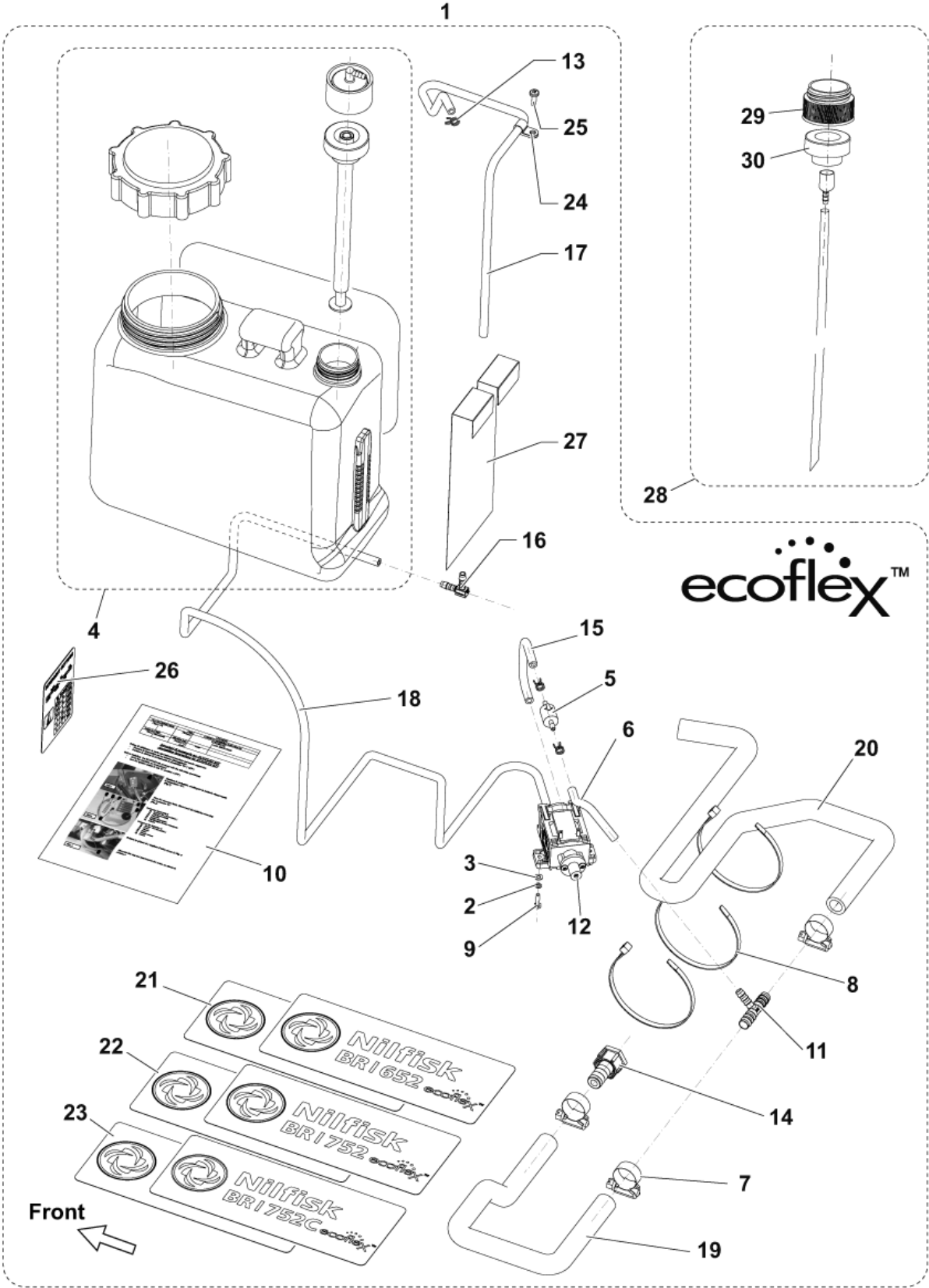
Resource notes:

FOR ITEMS 9099680000 - SEE TSB IT 2012-088 TSB IT 2012-088. New On Board Charger

Pos.	Artikelnummer	Hoeveelheid	Omschrijving	Notes
1	9098198000	1	Inbouwlander R466-471-BR	[1]
9	9100000661	1	Plaat acculader	
12	9099680000	1	Lader 24V 20A	[2]
13	1466318000	1	Verlengkabel Uk Plug L.2000 mm SIP	
13	9100000787	1	Snoer Met Stekker L.2000	
15	9098859000	1	HEATSINK	

Part Notes:

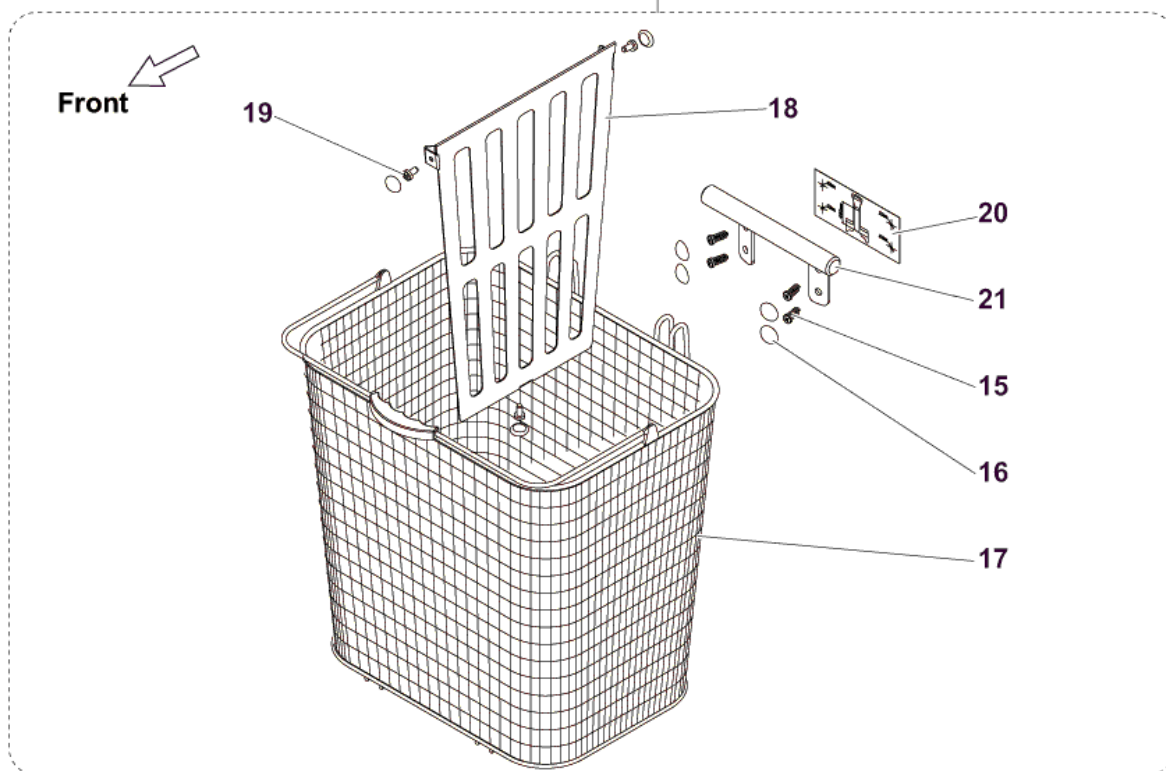
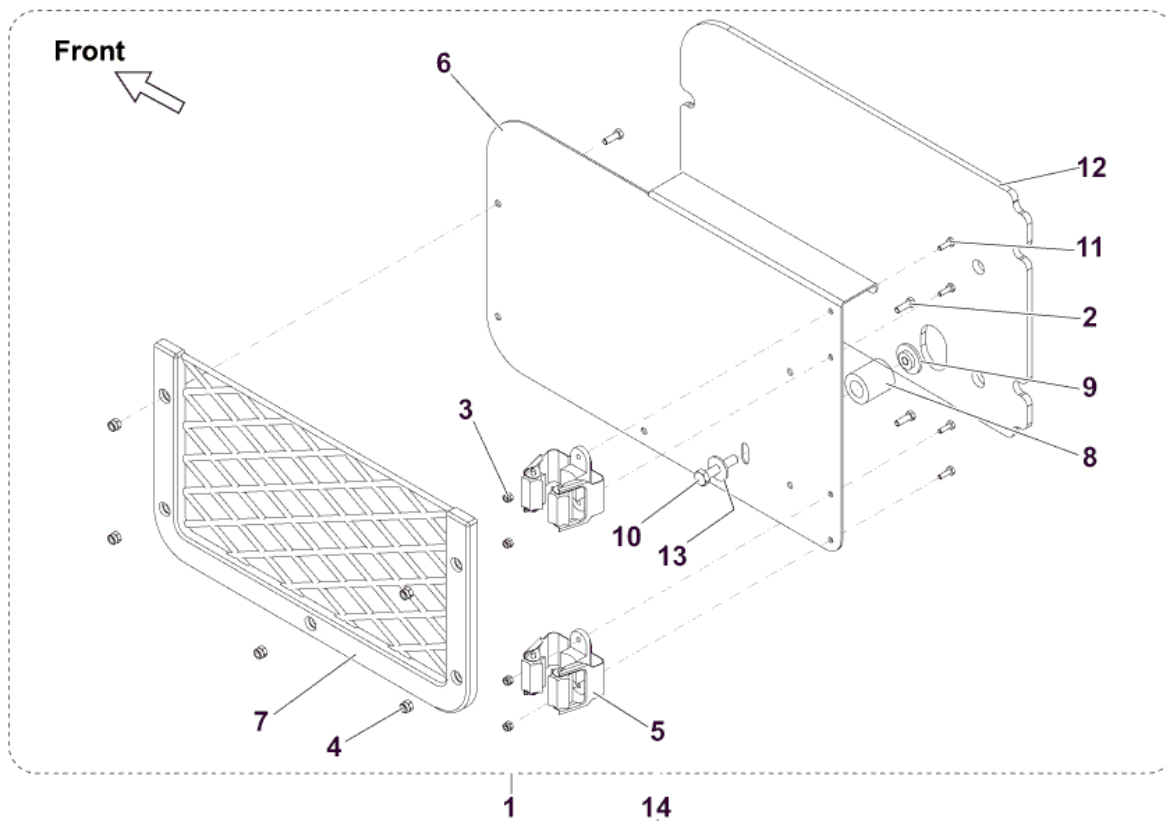
- [1] - Optional - See Inst.Instr. 9098215000
- [2] - SEE TSB IT 2012-088



Pos.	Artikelnummer	Hoeveelheid	Omschrijving	Notes
1	9097818000	1	Ecoflex kit cpl.	[1]
4	909 6903 000	1	Tank Chemie kit	
5	56315522	1	CHECK VALVE 1/8 BARB 12	
12	9100001819	1	PUMP CHEMICAL MIX KIT	
28	9098025000	1	Adaptor detergent kit	[2]
29	9097023000	1	Tank adapter	
30	9097022000	1	SENSOR CHEMICAL MIX LEVEL	
31	9099948000	1	HOSES ECOFLEX SYSTEM KIT	[3]

Part Notes:

- [1] - Optional - Inst.Instr. 9098219000
- [2] - Optional
- [3] - NOT SHOWN - Item 2-6-7-8-11-13-14-15-16-17-18-19-20-24-25



MOP AND TRASH KIT - BASKET KIT

BR 752

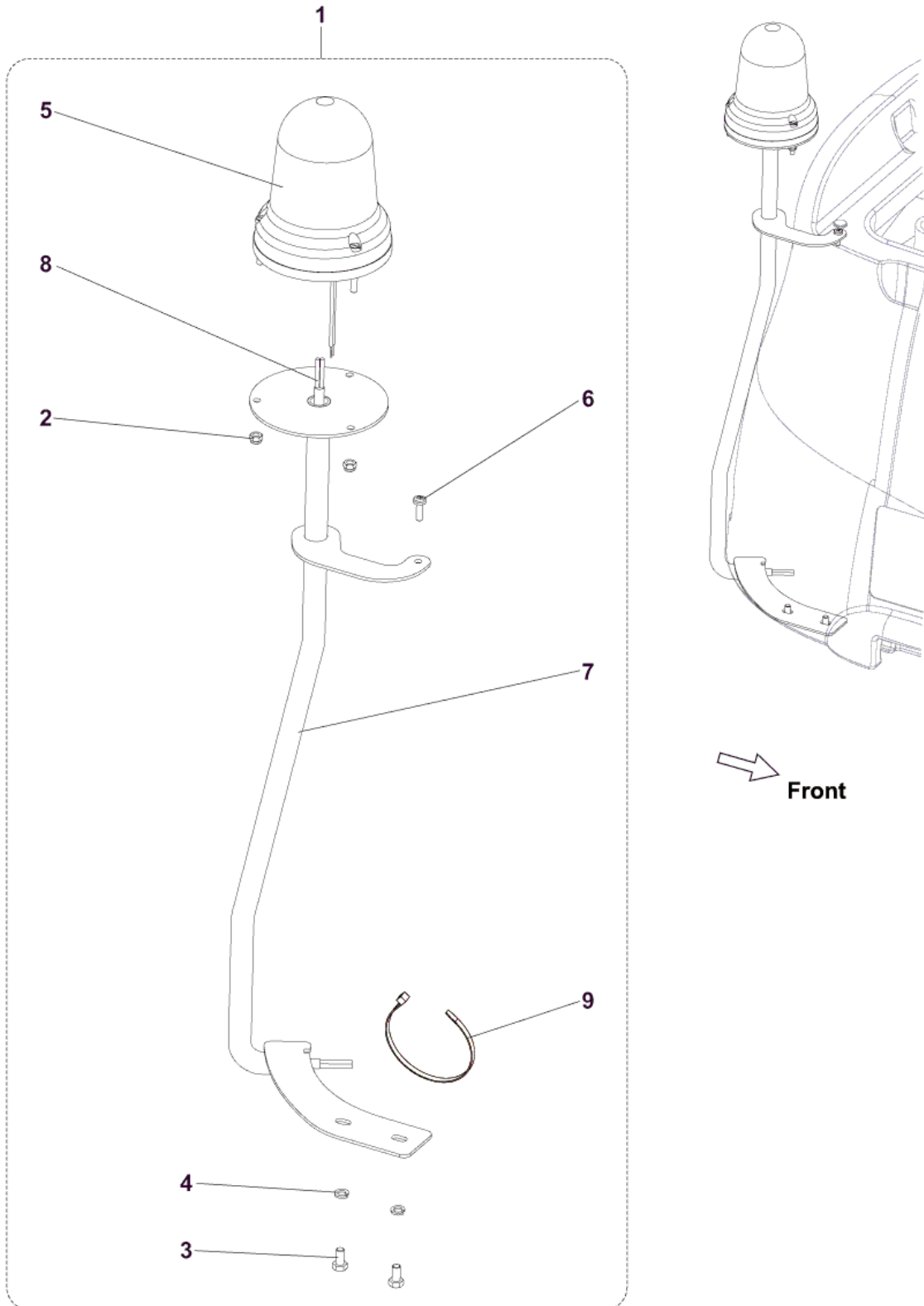
2017.11.02

2016.10.24

Pos.	Artikelnummer	Hoeveelheid	Omschrijving	Notes
1	9097815000	1	Mophouder & opbergnetje	[1]
5	9100002118	2	HOLDER BROOM SIP	
7	9097947000	1	NET DOCUMENT HOLDER	
14	9098480000	1	Afvalmandje	[1]
17	9098250000	1	BASKET	

Part Notes:

[1] - Optional



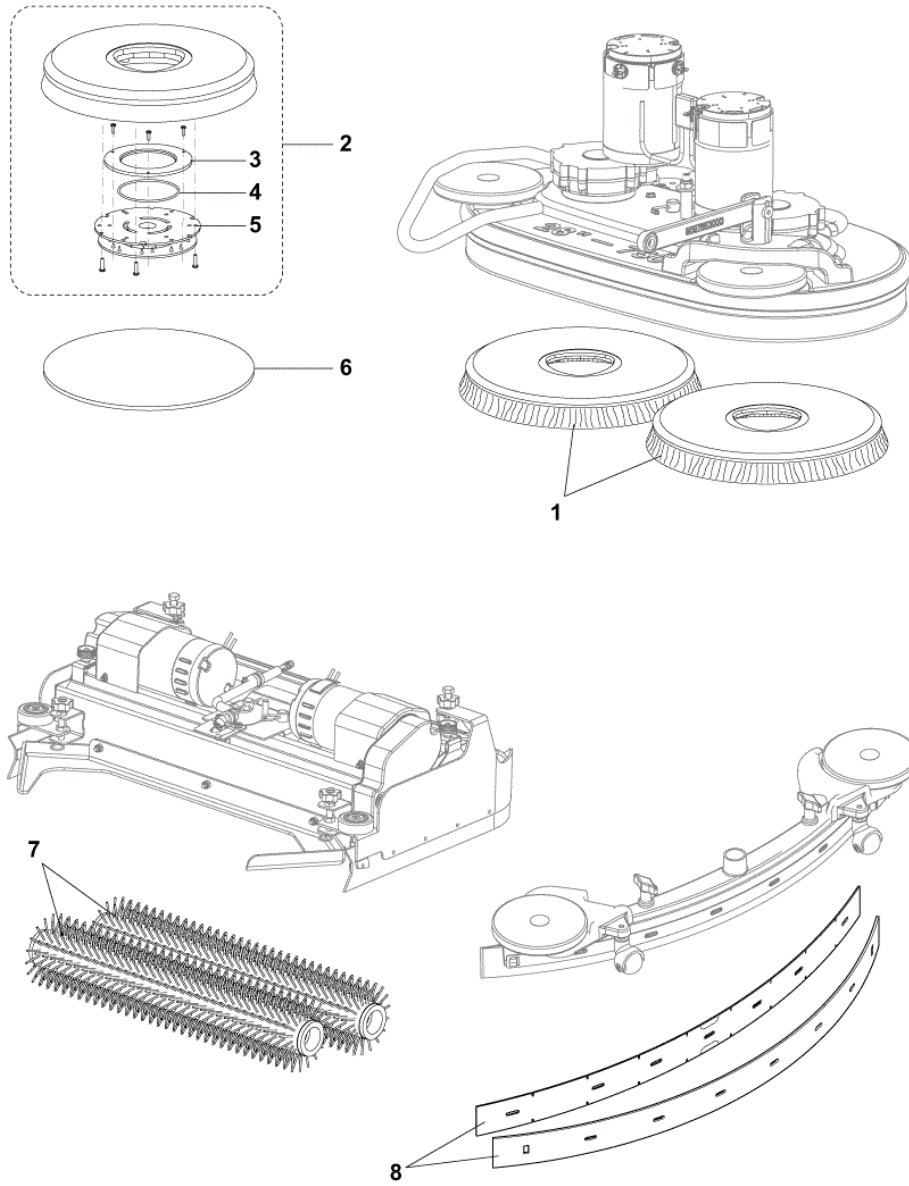
Resource notes:

10 - NOT SHOWN

Pos.	Artikelnummer	Hoeveelheid	Omschrijving	Notes
1	9098164000	1	Zwaailicht	[1]
5	33023155	1	BEACON FLASHING PKD	
10	9098772000	1	Geluidssignaal achteruit rijden	[2]

Part Notes:

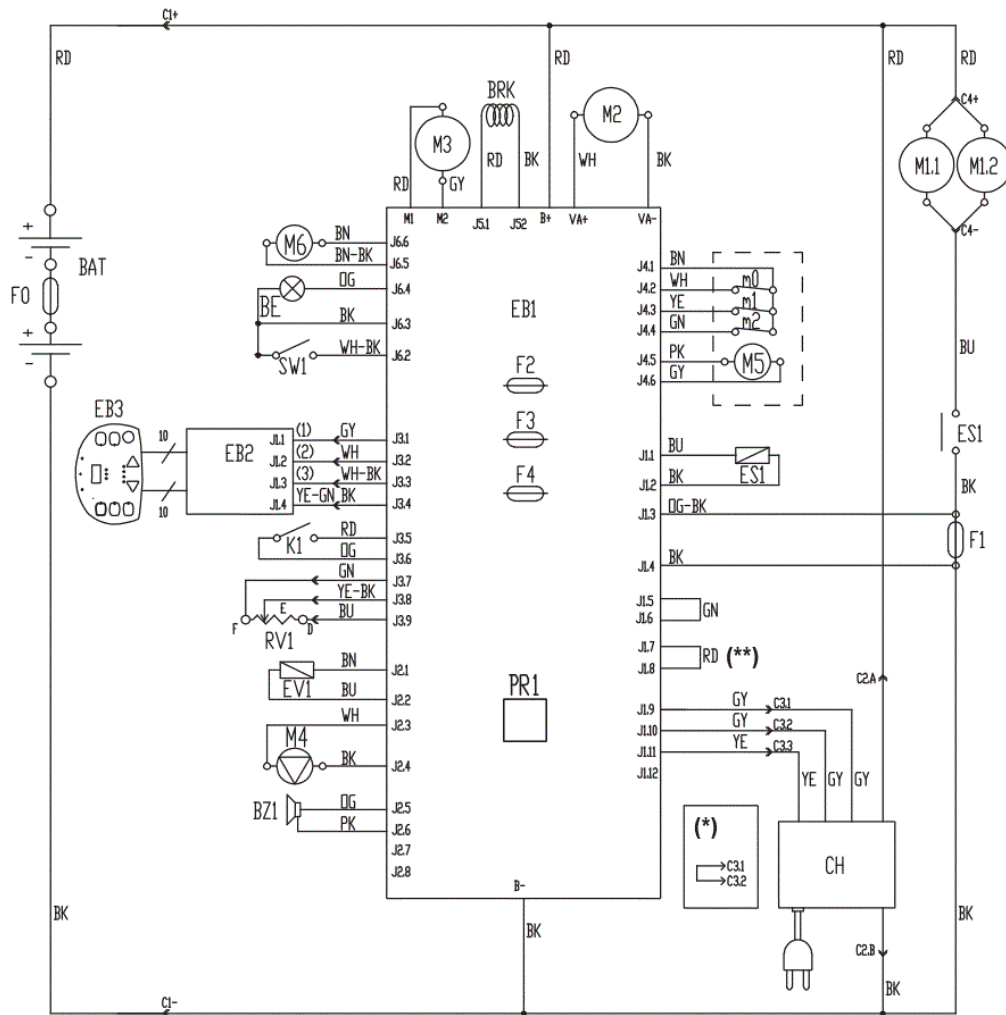
- [1] - Optional
- [2] - Optional - Inst.Instr. 9098773000



Pos.	Artikelnummer	Hoeveelheid	Omschrijving	Notes
1	909 5336 000	2	Borstel 13 inch 330mm midlite grit 180	[1]
1	909 5333 000	2	Borstel 14 inch Prolene 370 mm	[1]
1	909 5340 000	2	Borstel 13 inch union mix 330mm	[1]
1	909 5335 000	2	Borstel 14.5 inch 370mm mid grit 240	[1]
1	909 5338 000	2	Borstel 13 inch Prolite 330mm	[1]
1	909 5332 000	2	Borstel 13 inch Prolene 330mm	[1]
1	909 5337 000	2	Borstel 14.5 inch 370mm midlite grit 180	[1]
1	909 5339 000	2	Borstel 14 inch prolite 370mm	[1]
1	909 5334 000	2	Borstel 13 inch 330mm mid grit 240	[1]
2	909 5330 000	2	Padhouder m.cent lock 13 inch 330mm	[1]
2	909 5331 000	2	Padhouder 14 inch 370mm	[1]
3	L08603936	1	RING NYLON	
4	L08603965	1	O-RING 2.62X82.22 -3325-NBR 40SH	
5	56505195	1	Sluitplaat padhouder	
6	10001915	2	Pads 13 inch Eco wit 5 st.	[1]
6	10001921	2	Pads 14 inch Eco wit 5 st.	[1]
6	10001912	2	Pads 13 inch Eco bruin 5 st.	[1]
6	10001919	2	Pads 14 inch Eco groen 5 st.	[1]
6	10001918	2	Pads 14 inch Eco bruin 5 st.	[1]
6	10001917	2	Pads 14 inch Eco blauw 5 st.	[1]
6	10001916	2	Pads 14 inch Eco zwart 5 st.	[1]
6	10001920	2	Pads 14 inch Eco rood 5 st.	[1]
6	10001914	2	Pads 13 inch Eco rood 5 st.	[1]
6	10001911	2	Pads 13 inch Eco blauw 5 st.	[1]
6	10001910	2	Pads 13 inch Eco zwart 5 st.	[1]
7	56412192	2	Borstel 28 inch hard nylon natural	[1]
7	56412046	2	Borstel 28 inch PPL rood	[1]
7	56412193	2	Borstel 28 inch grit 180 blauw - grijs	[1]
8	9099211000	1	Zuigstripset 35 inch rood 890mm	[1]
8	9097804000	1	Zuigstripset 35 inch gum 890mm	[1]

Part Notes:

[1] - OPTIONAL



Pos.	Artikelnummer	Hoeveelheid	Omschrijving	Notes
BE	33023155		BEACON FLASHING PKD	
BRK	9098626000		Elektrorem	
BZ1	909 6126 000		BUZZER 5-32V	
C1	9100002117		CONNECTOR RED 120A PKD	
C4	9100002248		CONNECTOR 50A RED SIP	
CH	9099680000		Lader 24V 20A	
EB1	9100000024		Elektronische kaart	
EB2	9100000178		Printplaat Functies	
EB3	9097986000		Decal control panel	
ES1	9097208000		SWITCH ELECTROMAGNETC 24V	
EV1	909 6555 000		Solenoid Valve 24V	
F1	145 9854 000		Zekering 50A diablo	
F2	9100000877		FUSE MIDIFUSE 100A SIP	
F3	9100000878		FUSE BLADE 3A PKD	
F4	145 9853 000		Zekering 15 A Diablo	
K1	9100001354		Kontaktslot	
M1.1,2	9100001657		REDUCTION GEARMOTOR 400W 24V KIT	
M1.1,2	9099858000		Electrische motor kit 600W 24V	
M2	9099929000		Zuigmotor 3ST 24V 420W	
M3	9100002163		MOTOR ELECTRIC 300W 24V KIT	
M4	9100001819		PUMP CHEMICAL MIX KIT	
M5	9100000681		ACTUATOR LINEAR 24V DC STRK 66MM PKD	
M5	9100000683		ACTUATOR LINEAR 24V DC STRK 46MM PKD	
M6	9100000682		ACTUATOR LINEAR 24V DC STRK 100MM PKD	
PR1	9100002989		SOLUTION LEVEL SENSOR KIT	
RV1	9100001420		PEDAL SPEED CONTROL SIP	
SW1	9100001152		MICROSWITCH PKD	

RECOMMENDED SPARE PARTS

BR 752

2017.11.02

2020.10.26

Pos.	Artikelnummer	Hoeveelheid	Omschrijving	Notes
WP	9098716000	1	Koolborstelset 2pcs Zuigmotor BR652	
WP	9099855000	1	Zuigstripset PU 35/890mm	
WP	909 5224 000	1	Spatrand BA 650	
WP	909 5345 000	1	Spatrand BA 750	
WP	9097960000	2	BRUSH HOUSING LEFT 28 INCH	
OM	9100000703	1	Vulslang BR	
OM	9100001890	1	Afvoerslang 611mm zwart	
OM	9098169000	1	Zuigslang L.1100MM 90	
OM	9098172000	1	Rubberen dichting	
OM	9098407000	1	Aandrijf wiel	
OM	9098627000	1	Koolborstels KIT 2 PCS Drivewheel	
OM	9098115000	1	Water Filter	
OM	9099163000	2	WHEEL CASTOR D.42	
OM	9100000772	2	WHEEL D.254 80SH GREY PKD	
OM	909 5380 000	2	Koolborstelset (4pcs)Borstelmotor	[1]
OM	909 5761 000	1	Snaar Poly 11J/04838	
OM	909 6731 000	1	Snaar Poly 457J8	
OM	L08603949	2	Koolborstel set	
OM	9098734000	2	WHEEL CASTOR D.42	
EOM	9098224000	1	MUFF FRESH WATER	
EOM	9098709000	1	Deksel Schoonwatertank Kit	
EOM	9100001152	1	MICROSWITCH PKD	
EOM	9099929000	1	Zuigmotor 3ST 24V 420W	
EOM	9098177000	1	Kabel Tank Stop	
EOM	909 6380 000	1	Klemset tank	
EOM	9097796000	1	LEVER BLOCK STEERING WHEE	
EOM	9100001420	1	PEDAL SPEED CONTROL SIP	
EOM	9100000178	1	Printplaat Functies	
EOM	9097986000	1	Decal control panel	
EOM	9100001354	1	Kontaktslot	
EOM	146 2887 000	1	Sleutel 2 stuks	
EOM	9097792000	1	Aansluitkabel Dashboard	
EOM	9100002615	1	HARNES STEERING WHEEL SIP	
EOM	9100002614	1	HARNES WHEEL MOTOR SIP	
EOM	9098626000	1	Elektrorem	
EOM	9100002163	1	MOTOR ELECTRIC 300W 24V KIT	
EOM	909 6555 000	1	Solenoid Valve 24V	
EOM	9098380000	1	STRAP FRONT SQUEEGEE 35 INCH	
EOM	9098381000	1	STRAP SKIRT REAR RIGHT 35 INCH	
EOM	9098382000	1	STRAP SKIRT REAR LEFT 35 INCH	
EOM	9098390000	1	SUPPORT SQUEEGEE DOWN	
EOM	9097827000	1	SUPPORT SQUEEGEE UPPER	
EOM	9100001090	2	ROD EYE M10 PKD	
EOM	9100000682	1	ACTUATOR LINEAR 24V DC STRK 100MM PKD	
EOM	9098708000	1	SQUEEGEE LIFTING KIT	
EOM	9098722000	1	CENTRING SQUEEGEE KIT	
EOM	909 6394 000	1	Klem zuigmond	
EOM	1466146000	2	Spie 5X5X25 UNI6604A PKD	
EOM	9100001657	2	REDUCTION GEARMOTOR 400W 24V KIT	
EOM	9097640000	1	HOLDER POLYGONAL RIGHT KIT	
EOM	9097640000	1	HOLDER POLYGONAL RIGHT KIT	
EOM	9097850000	1	SPRING DRAGGING DECK	
EOM	9100000681	1	ACTUATOR LINEAR 24V DC STRK 66MM PKD	
EOM	9097851000	1	SPRING ZERO SETTING BRUSH	
EOM	9097813000	1	GUIDE DRAGGING DECK (ZWART BLOKJE)	
EOM	9100000683	1	ACTUATOR LINEAR 24V DC STRK 46MM PKD	
EOM	909 6356 000	2	Wing Nuts kit	
EOM	9099858000	2	Electrische motor kit 600W 24V	

RECOMMENDED SPARE PARTS

BR 752

2017.11.02

2020.10.26

Pos.	Artikelnummer	Hoeveelheid	Omschrijving	Notes
EOM	9098737000	2	SUPPORT BRUSH KIT	
EOM	9097208000	1	SWITCH ELECTROMAGNETC 24V	
EOM	9100000024	1	Elektronische kaart	
EOM	9100002989	1	SOLUTION LEVEL SENSOR KIT	
EOM	9100000878	1	FUSE BLADE 3A PKD	
EOM	145 9853 000	1	Zekering 15 A Diablo	
EOM	9100000877	1	FUSE MIDIFUSE 100A SIP	
EOM	145 9854 000	1	Zekering 50A diablo	
EOM	9100002117	1	CONNECTOR RED 120A PKD	
EOM	9099680000	1	Lader 24V 20A	
EOM	9100000787	1	Snoer Met Stekker L.2000	
EOM	9098658000	1	HARNESS FOR CYLINDRICAL BRUSH DECK	[1]
EOM	9098374000	1	HARNESS BRUSH DECK	

Part Notes:

[1] - STOCK COVERS GUARANTEE

