

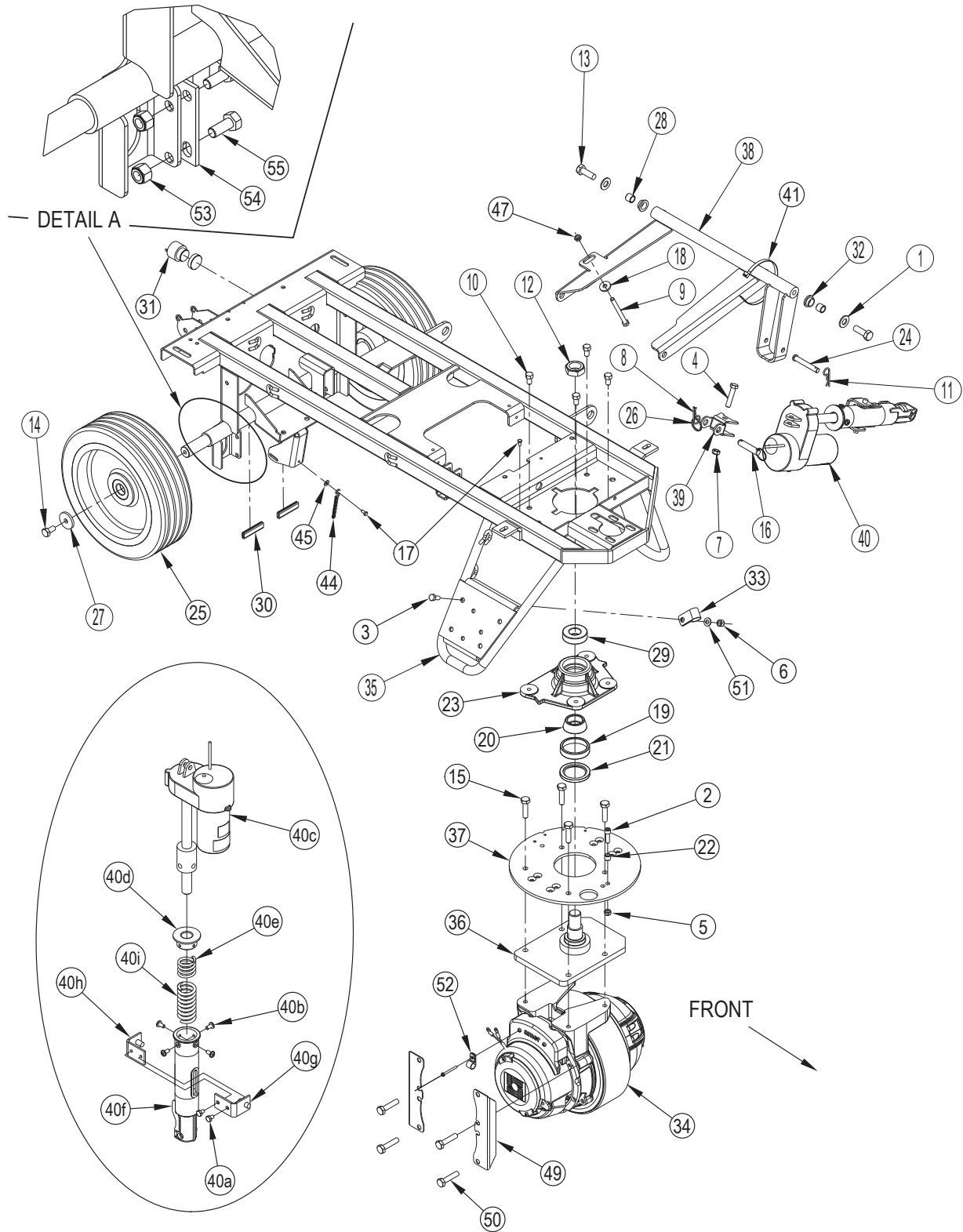
PARTS LIST



2020.04.08

TABLE OF CONTENTS

Chassis system	1
Control system	4
Decal system	6
Electrical system	8
Recovery system	11
Scrub system-cylindrical	13
Scrub system-cylindrical-skirt assemblies	16
Scrub system-BR 755 disk	18
Scrub system-BR 855 disk	21
Scrub system-disk-skirt assemblies	24
Solution system	26
Squeegee system	28
Squeegee assembly - BR 755	30
Squeegee assembly - BR 855	32
Wiring diagram	34
Optional kits and accessories	36
Brush selector guide-disk	39
Brush selector guide-cylindrical	41
Recommended spare parts	43
56601082 - ECOFLEX CHEMICAL KIT	45
56314312/56422162 - Seat Belt Kit	47
56314981/56601527 - Battery Watering Kit, fig. 1	49
56314981/56601527 - Battery Watering Kit, fig. 2	51
56382635 - Squeegee spring kit	53
56601080 - On Board Charger Kit EU	55
56601082 - EDS Onboard Chemical Kit	57
56601085 - Beacon Kit	59
56601087 - Vacuum Wand Kit	61
56601090 - Dual Vac Kit	63
56601700 - BR 755 Disk Deck Assy Kit	65
56601701 - BR 855 Disk Deck Assy Kit	67
56601756 - BR755 Cylindrical Deck Assy Kit	69

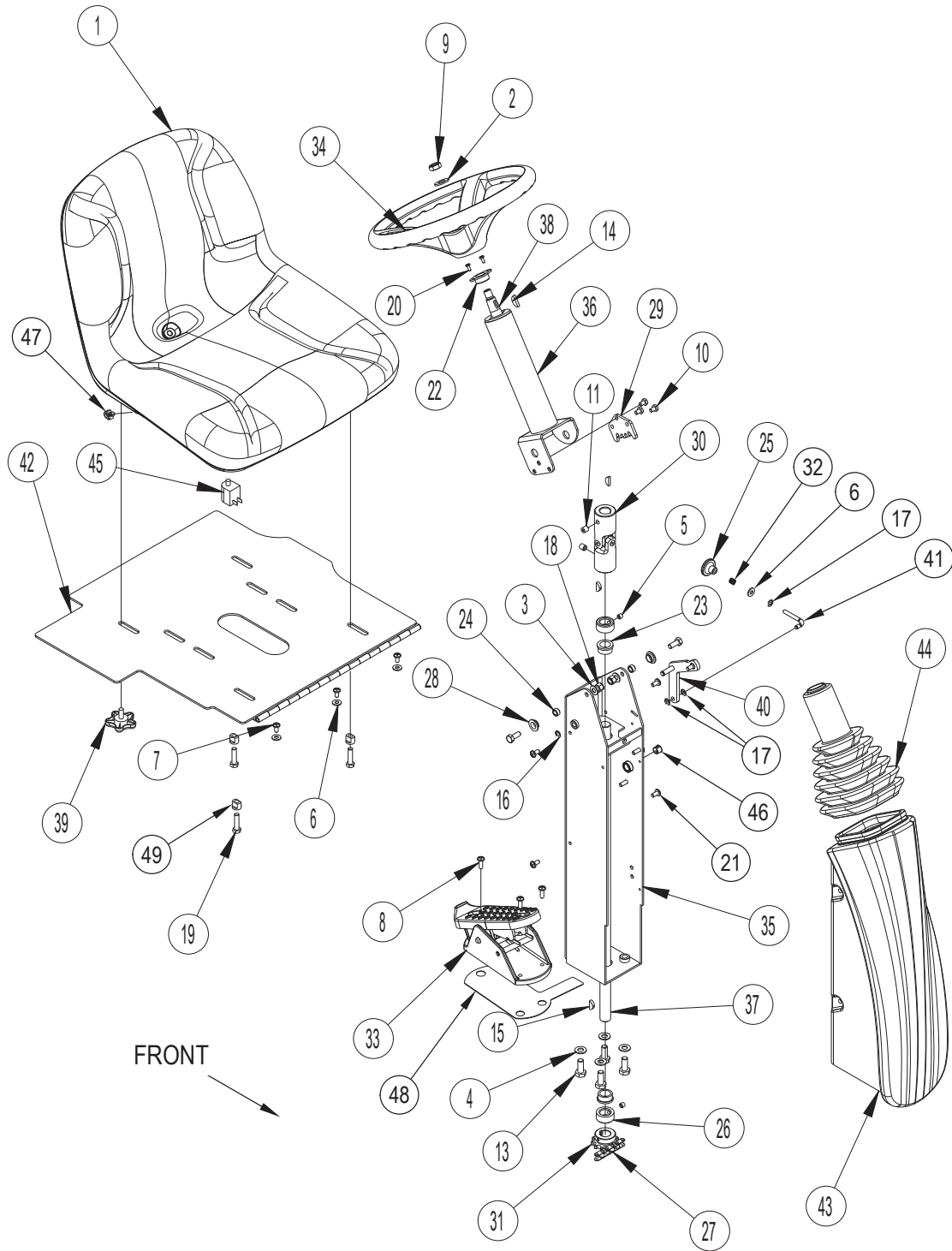


Pos.	Artikelnummer	Hoeveelheid	Omschrijving	Notes
1	56001879	2	Ringetje	
2	56002129	1	SCR-SOC HD 5/16-18 X 1.00	
3	56002667	1	Schroef	
4	56002684	1	Schroef hex 3/8-16 x 1,75	
5	56002826	1	NUT HEX NYL LOC-THIN 5/16-18	
6	56002701	1	Moer	
7	56002841	1	MOER	
8	56002959	1	Pin	
9	56003008	1	VIJS	
10	56003040	4	SCR HEX LOC 3/8-16 X .62	
11	56003120	1	Splitpen .093x.25x.50	
12	56003220	1	Moer	
13	56003412	2	SCR Hex Nyl. Loc. M12 1,75 X35MM	
14	56003442	2	Schroef	
15	56003491	4	VIJS	
16	56003679	1	Ring 0,50 x 1.63	
17	56009012	2	Schroef 10-24x.38	
18	56009122	1	Sluitring	
19	56158143	1	Lager	
20	56158151	1	Lager	
21	56171081	1	Seal shaft	
22	56244941	1	Bus vulbus	
23	56314032	1	Blok kogellager	
24	56003803	1	PIN 0.375 X2.5	
25	56382693	2	Loopwiel BR non-marking incl. lagers	[1]
26	56317071	1	RING	
27	56367117	2	Ring 0,406 x 1,50 x 1,87	
28	56367206	2	Bus	
29	56378380	1	Lagerkogel	
30	56412122	2	Trimedge	
31	56412177	1	Alarm	
32	56420160	2	Lager	
33	56469380	1	Kabelklem	
34	56601050	1	Tractiemotor wiel	
	56601472	1	TRACTIEWIEL BR 755	
	56601473	1	Motor	
	56601509	1	Koolborstel kit	
	56601471	1	TIRE	
	56601507	1	Parkeer Rem	
	56422174	1	TIRE PULLER KIT	
	56504482	1	COVER DRIVE MOTOR	
	56504481	1	COVER GEARBOX MOTOR	
	56380310	1	KIT BRAKE LEVER	
35	56114199	1	CHASSIS WELDMENT	
36	56601077	1	SPINDLE WELDT	
37	56314116	1	PLATE STEERING	
38	56601239	1	Steunplaat	
39	56601328	1	YOKE ACTUATOR	
40	56601432	1	Actuator Liftmotor	
40a	56009019	2	SCHROEF	
40b	56009062	4	Scr Pan Phil THD Form 1/4 20 x .5	
40c	56393303	1	Actuator BA 600	
40d	56396268	1	Veerhouderring	
40e	56412071	1	Compressieveer	
40f	56412262	1	Behuizing veer	
40g	56420019	1	Hoekbeugel	
40h	56420020	1	Hoekbeugel	
40i	56601470	1	COMPRESSION SPRING	

Pos.	Artikelnummer	Hoeveelheid	Omschrijving	Notes
41	56477613	1	Kabel	
44	56601716	1	GROUND CHAIN	
45	56009011	1	Schroef	
47	56009086	1	VIJS	
49	56344100	2	BRACKET WHEEL	
50	56003445	4	MOER	
51	56002220	1	WSH FLT STD 5/16	
52	56486112	1	STEUN	
53	56002856	2	Moer	[2]
54	56601675	1	BRACKET	[2]
55	56003925	2	SCR-HEX LOC SS 5/16-18 X .75	[2]

Part Notes:

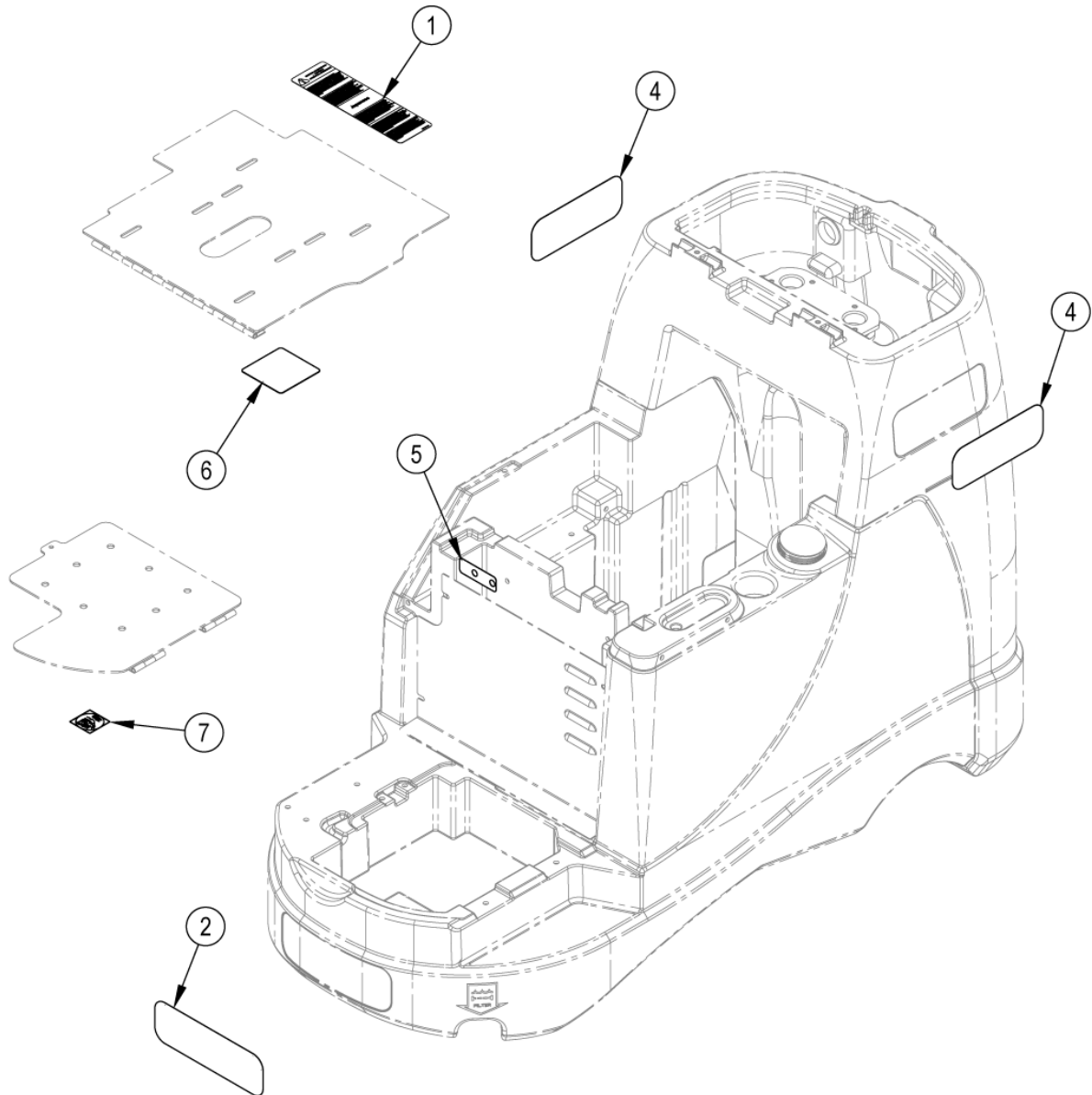
- [1] - TSB-FC-2015-033 Various machines rear wheel hub cracking
- TSB-FC-2017-059 Squeegee stop bracketsand DE TSB-FC-2017-059 BR755 855 Scrubtec R6 Saugfuß Endanschlag
- [2] - TSB-FC-2017-059 Squeegee stop brackets
- DE TSB-FC-2017-059 BR755 855 Scrubtec R6 Saugfuß Endanschlag



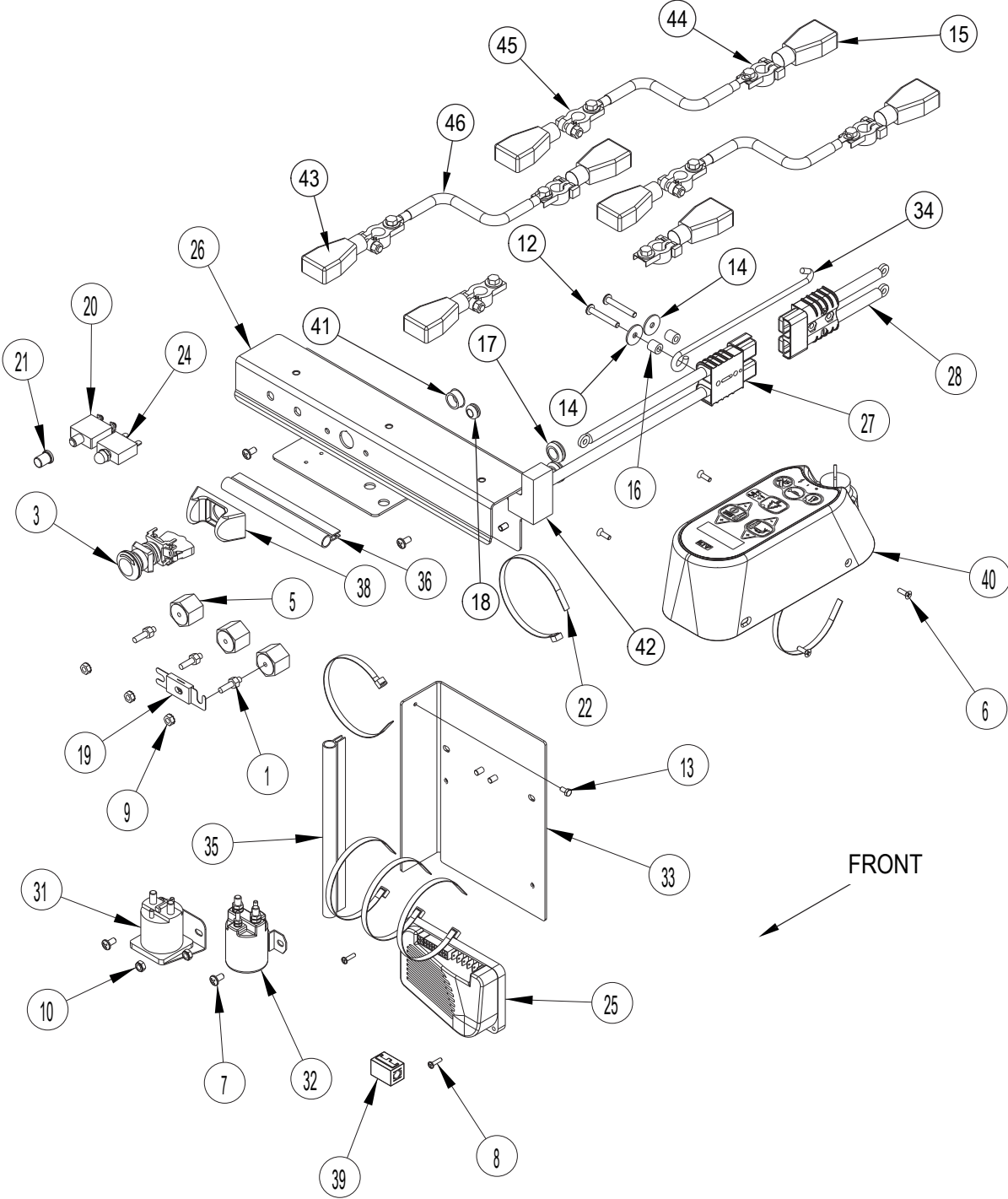
Pos.	Artikelnummer	Hoeveelheid	Omschrijving	Notes
1	56394342	1	SEAT-MID BACK-11.25IN MOUNT	[1]
2	56001879	1	Ringetje	
3	56001939	2	Ring	
4	56002063	4	Vulring	
5	56002086	2	Schroef	
6	56002859	4	Ring	[2]
7	56003119	3	Schroef	[2]
8	56002957	3	Scr pan hil ss 1/4-20	
9	56002843	1	Moer zelfborg 1/2-13	
10	56002933	3	SCR HEX LOC 1/4-20 X .38	
11	56003081	2	Schroef	
12	56003179	2	Hex THD/HD M8-1.25x20	
13	56003186	4	VIJS	
14	56003227	1	KEY WDF 61	
15	56003228	3	KEY WDF 606	
16	56003261	1	RING RET EXT TYPE E	
17	56003268	3	Ring	
18	56003389	2	Moer	
19	56001834	3	Schroef	[2]
20	56002523	2	SCR PAN HD PHIL HP5 8-32 X .38	
21	56009062	4	Scr Pan Phil THD Form 1/4 20 x .5	
22	56100393	1	Bushing	
23	56250414	2	Lager flange	
24	56320595	2	Bus	
25	56362778	1	KNOB 1.25X1/4-28 CA29M	
26	56367095	2	Collar shaft	
27	56412198	1	Chain roller	
28	56413211	2	Spacer Nylon	
29	56413658	1	Ratchet, stuurkolom	
30	56454081	1	U-Joint	
31	56471148	1	Sprocket	
32	56578222	1	SPRING COM .36X.875 E0045	
33	56385084	1	FOOT PEDAL ASSEMBLY	[3]
34	56601060	1	STEERING WHEEL	
35	56601850	1	Onderste kolom	
36	56601169	1	UPPER COLUMN WELDMENT	
37	56601223	1	AS LAGERE STUUR	
38	56601224	1	SHAFT UPPER STEERING	
39	56601271	1	KNOB 5/16 STUD	
40	56601284	1	Sturing vergrendel	
41	56601292	1	PULL LEVER	
42	56601362	1	Stoel PANEL WELDMENT	
43	56601484	1	SHROUD STEERING COLUMN	
44	56601500	1	BOOT STEERING	
45	7-82-00050	1	Schakelaar Stoel	
46	56601683	1	PLUG-CAP	
47	56315382	1	CLIP CONDUIT	
48	56601601	1	FOOT PEDAL PLATE	
49	56383230	3	FLANGED BUSHING SEAT	
			Service Kits	
K1	56114304	1	HARDWARE KIT-SEAT	

Part Notes:

- [1] - Seat 8-69-00022 (steel seat pan) has been replaced by Seat 56394342 (plastic seat pan) in production. Please order Seat Kit 56383240 when replacing Seat 8-69-00022.
- [2] - K1
- [3] - K1
TSB-FC-2017-053 Abnormal acceleration or decelerationand DE TSB-FC-2017-053 neues Fahrpedal mit Justierscheibe



Pos.	Artikelnummer	Hoeveelheid	Omschrijving	Notes
01	56014601	1	DECAL, CAUTION	
02	56016731	1	Sticker Nilfisk	
04	56601303	2	Sticker type aanduiding	
04	56601305	2	DECAL BR855	
05	56601414	1	DECAL CIRCUIT BREAKER	
06	56601416	1	DECAL BATTERY WIRING	
07	56380254	1	DECAL OPEN WHEN CHARGING	



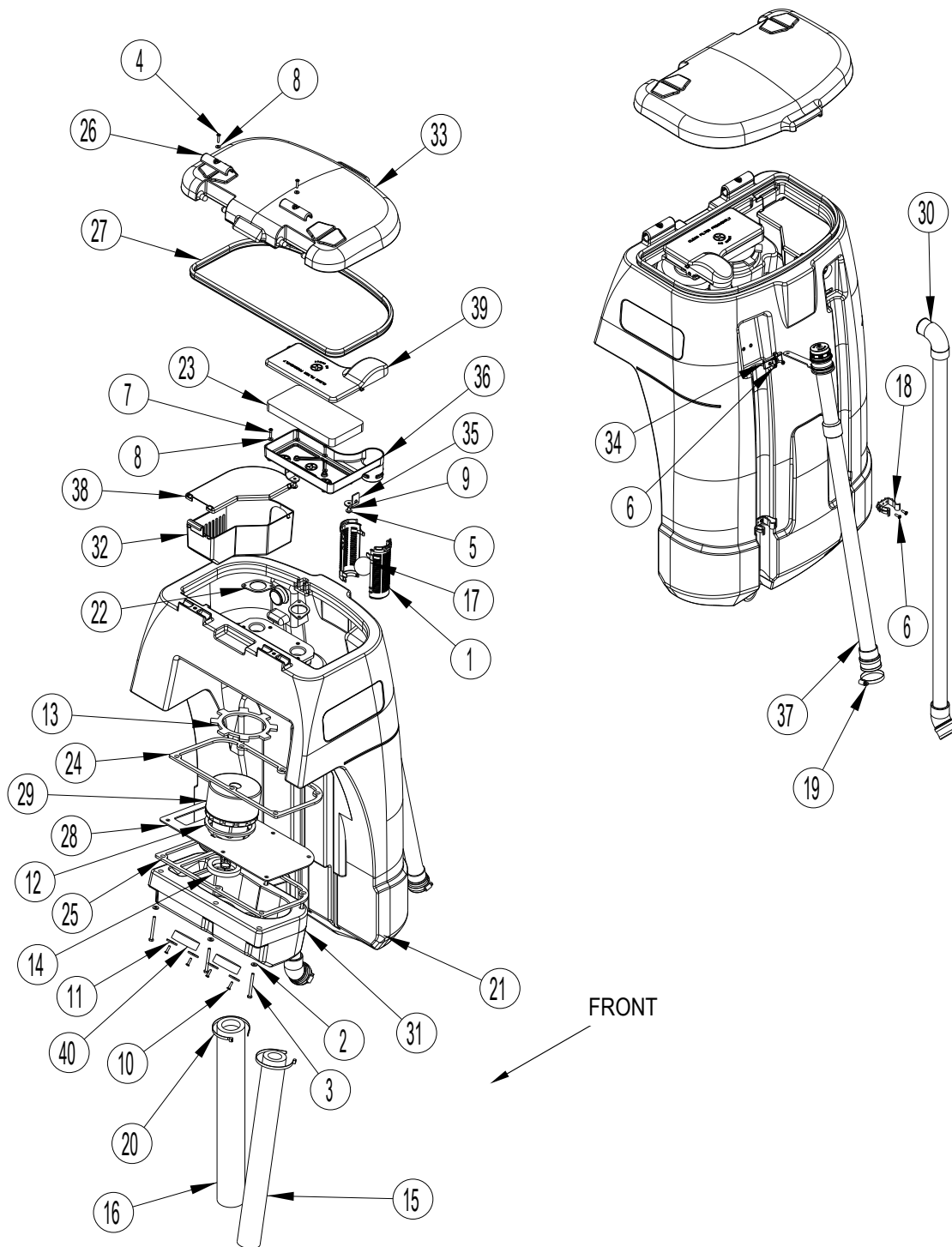
Pos.	Artikelnummer	Hoeveelheid	Omschrijving	Notes
1	83302A	3	STUD 1/4-20	
3	56407130	1	Noodstop BR 850	[1]
5	56469858	3	ELECTRICAL MOUNT	
6	56003056	4	SCR FLT PHIL SS 10-24 X .62	
7	56002828	4	SCR PAN PHIL LOC 1/4-20 X .6	[2]
8	56002146	2	SCR PAN PHIL 8-32 X .62	
9	56002561	3	NUT HEX W/SHRPF 1/4/20	
10	56002840	2	Moer Hex Nyl Loc Thin 1/4 20	
12	56002997	2	SCR PAN PHIL 1/4-20 X 1.75	
13	56009012	1	Schroef 10-24x.38	
14	56009060	2	Leertje	
15	2-00-05173	4	BAT TERMINAL COVER BLK	
16	56046309	2	SPACER PHENOLIC	
17	56157376	2	GROMMET 1 OD X 9/16 ID X 5/	
18	56321540	1	GROMMET .500 HC42D	
19	56412089	1	Zekering 150 amp	[3]
20	56454429	1	Relais	[4]
21	56459369	1	Resetknop	
22	56477613	9	Kabel	
24	56507644	1	Zekering 10A	[5]
25	56601061	1	SPEED CONTROL	[6]
26	56601854	1	PANEL	
27	56601171	1	CONNECTOR ASM	
28	56601172	1	Verbinding ASM	
29	56601174	1	HARNES MAIN	[7]
30	56344205	1	HARNES-TRACTION	[7]
31	56601183	1	CONTACTOR 24V - 100 AMP	[8]
32	56412179	1	Contactoer 24 Vdc	[9]
33	56601185	1	PANEL	
34	56601215	1	PROP ROD SEAT	
35	56601251	1	GASKET	
36	56601252	1	GASKET	
37	56601431	1	CABLE ASSEMBLY	[7]
38	56601434	1	EMERGENCY BUTTON GUARD	
39	40849A	1	SUPRESSOR EMI-SPLIT	
40	56384462	1	INTERFACE PANEL ASSY	[10]
	56601096	1	KIT INTERFACE PANEL	[11]
	56303553	1	Sleutel schakelaar	[12]
	56303526	1	Sleutel BA 755/855 2 stuk	[13]
41	56900144	1	PLUG CAP E00046	
42	56601600	1	FOAM INSERT	
43	2-00-05171	4	BAT TERMINAL COVER RED	
44	9100000883	4	CLAMP BATTERY MINUS 2 PCS SET	
45	9100000882	4	CLAMP BATTERY PLUS 2 PCS SET	
46	56409485	3	CABLE ASSY.1 X 15.00	

Part Notes:

- [1] - S4
- [2] - GUARANTEE DATE EXPIRED
- [3] - F1
- [4] - CB1
- [5] - CB2
- [6] - A2
- [7] - NOT SHOWN
- [8] - K1
- [9] - K2
- [10] - A1
- [11] - Membrane Switch, Interface Panel - NOT SHOWN

- [12] - S1 - NOT SHOWN
- [13] - NOT SHOWN

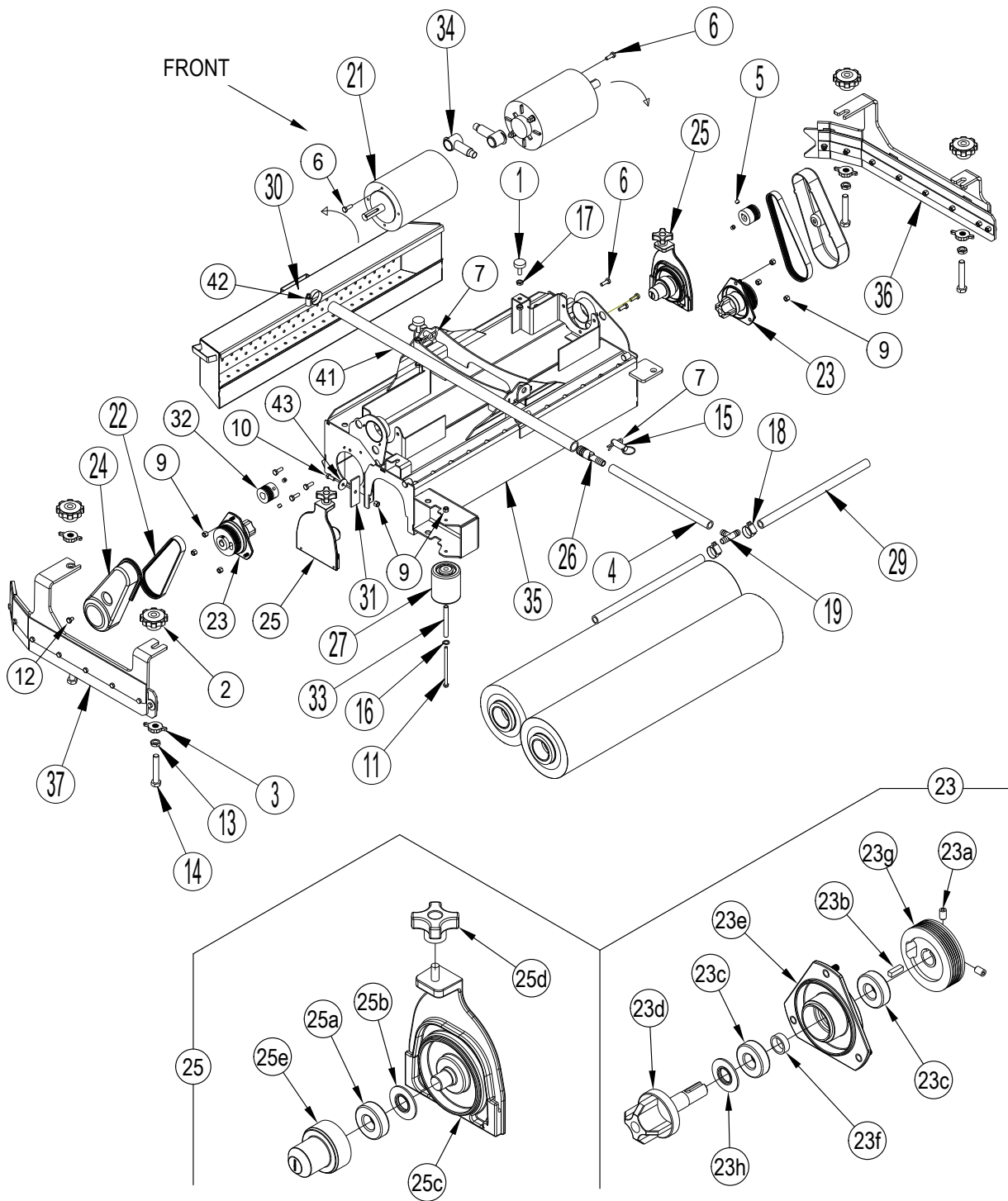
for 56303553



Pos.	Artikelnummer	Hoeveelheid	Omschrijving	Notes
1	56324497	2	Vlotterhouder	
2	56002098	6	Ring	
3	56003867	6	SCR-HEX LOC 1/4-20 X 3.00	
4	56003951	2	SCR-PAN PHIL LOC SS 10-24X .88	
5	56002859	2	Ring	
6	56002896	6	Schroef	
7	56002894	4	SCR PAN PHIL SS 1 24 X 75	
8	56002916	6	Ring SAE SS 10	
9	56003799	2	PLASTITE 1/4-10 x 1/2	
10	56009005	4	Schroef	
11	56003817	4	Ring FLT SS .281 x 1.25 x .05	
12	56212143	1	Gasket vacuum duct	
13	56264103	1	Pakking zuigmotor	
14	56314760	1	Pakking zuigmotor	
15	56315375	1	Zuigslang	
16	56315847	1	FOAM TUBE ASSEMBLY	
17	56391690	1	Vlotterbal	
18	56407361	2	Klem plastic	
19	56440213	1	Slangklem	
20	56477613	2	Kabel	
21	56601120	1	Vuilwatertank	
22	56601121	2	Gasket vac filter	
23	56601125	1	Filter	
24	56601126	1	Dichting uitlaat	
25	56601127	1	Pakking VAC	
26	56601128	2	scharnier kapje	
27	56114185	1	Dichting vuilwatertank	
28	56601131	1	VAC PLATE STANDARD	
29	56601488	1	Vac Motor	[1]
29	56397098	1	Koolborstelset	[2]
30	56601136	1	Zuigslang BR 755/855	
31	56601137	1	MOTORCAP VAC	
32	56601138	1	Voorfilter	
33	56601139	1	LID RECOVERY TANK	
34	56601204	1	HOOK DRAIN HOSE	
35	56601250	2	Strap Filter Cover	
36	56601253	1	Filter box	
37	56383319	1	Afvoerslang-1.5	[3]
38	56601421	1	DEKSEL	
39	56601451	1	Kap voor Filter	
40	56344168	2	FILTER	

Part Notes:

- [1] - M5
- [2] - SET OF 2 - NOT SHOWN
- [3] - TSB-US 2011-0015 - Suction Hose Improvement



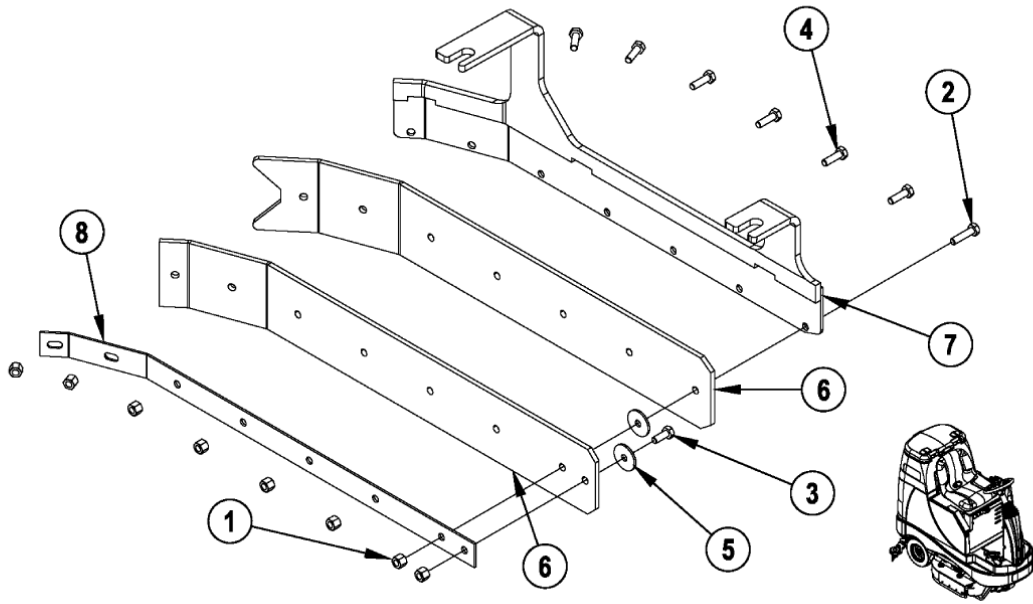
Pos.	Artikelnummer	Hoeveelheid	Omschrijving	Notes
1	56401783	2	Steunbout	
2	56380149	4	Knop M12 1,75	[1]
3	56601578	4	KNOP	
4	56409462	1	Slang	
5	56002086	4	Schroef	
6	56002948	8	SCR HEX LOC-1/4-20 X 0.75	
7	56003222	2	Pin cot hair	
9	56003426	9	Borgmoer 6 mm	
10	56003431	2	Bout rvs M6 x 16	
11	56003939	1	Schroef SS M6-1 X 95MM	
12	56009019	2	SCHROEF	
13	56003657	4	Nut hex jam m12-1.75	
14	56003658	4	Scr.thd to hd ss m12-1.75	
15	56003786	2	Plin ring .500 x 1.18	
16	56009045	2	Ring	
17	56009086	4	VIJS	
18	56112771	2	Slangklem	
19	56262549	1	Tee E00455	
21	56315061	2	Borstelmotor cyl	[2]
21	56412258	4	BRUSH ASSY	[3]
21	56412287	1	MOTOR BRUSH/SPRING KIT	[3]
21	56412259	4	BRUSH SPRING	[3]
22	56315321	2	Snaar	
23	56407559	2	Borstelaandrijving kpl	
23a	56002119	2	Imbus	
23b	56003237	1	KEY SQ .19 X .62	
23c	56106070	2	Kogellager 6202 2RS	
23d	56109527	1	Spindle	
23e	56381765	1	LAGER PLAAT	
23f	56407389	1	SPACER	
23g	56407442	1	Sheave Poly	
23h	56407558	1	Lagerring	
24	56115314	2	GUARD ASSY-BELT	
25	56115344	1	IDLER END ASSY	
25a	56106070	1	Kogellager 6202 2RS	
25b	56407558	1	Lagerring	
25c	56315447	1	Idler bearing plate	
25d	56407303	1	Knop	
25e	56115273	1	HUB-IDLER	
26	56315625	1	barb coupler 3/4 X 1/2	
27	56316089	1	Wiel	
28	56316210	2	HARNASS BRUSH MOTOR	[3]
29	56316553	2	KunststofhouderPVC 28	
30	56601049	1	HOPPER WELDT	
31	56407391	2	Zuigmondrubber	
32	56407433	2	Poly-v	
33	56412176	1	Bus	
34	56493357	2	INSULATOR TERMINAL	
35	56601048	1	Behuizing	
36	56601468	1	LEFT SKIRT ASSEMBLY	
37	56601476	1	Kit rubbert rechts	
41	56379139	1	TUBE PVC .750X30 E00521	
42	56244969	1	Slang klem SAE	
43	56009060	2	Leertje	

Part Notes:

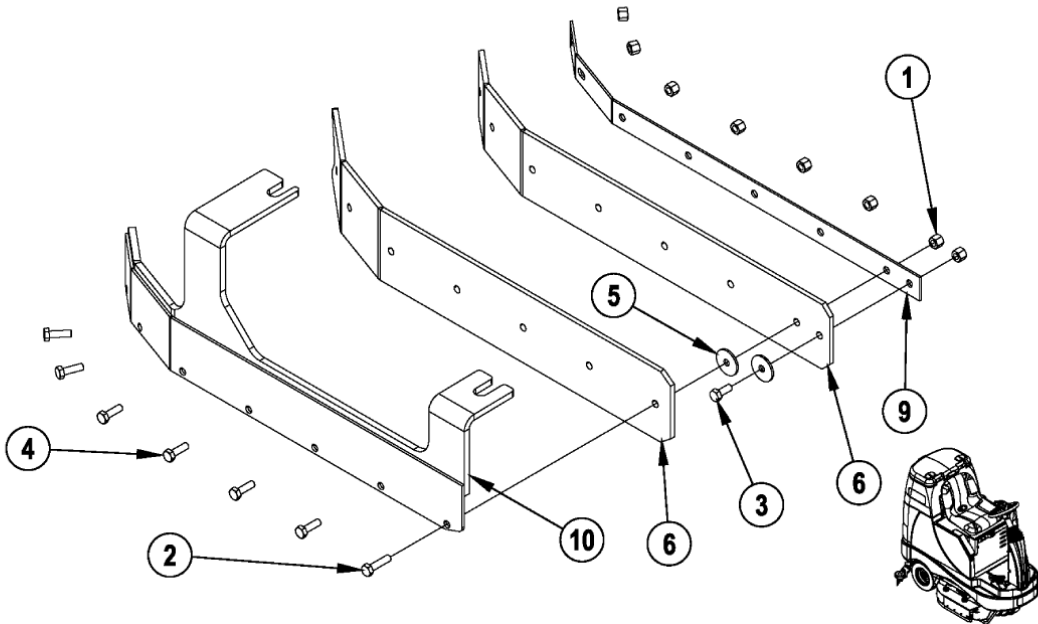
- [1] - TSBUS2010-1060
 [2] - M7 / M8, TSBUS2010-1058

[3] - NOT SHOWN

56601468 - Left Skirt Assy



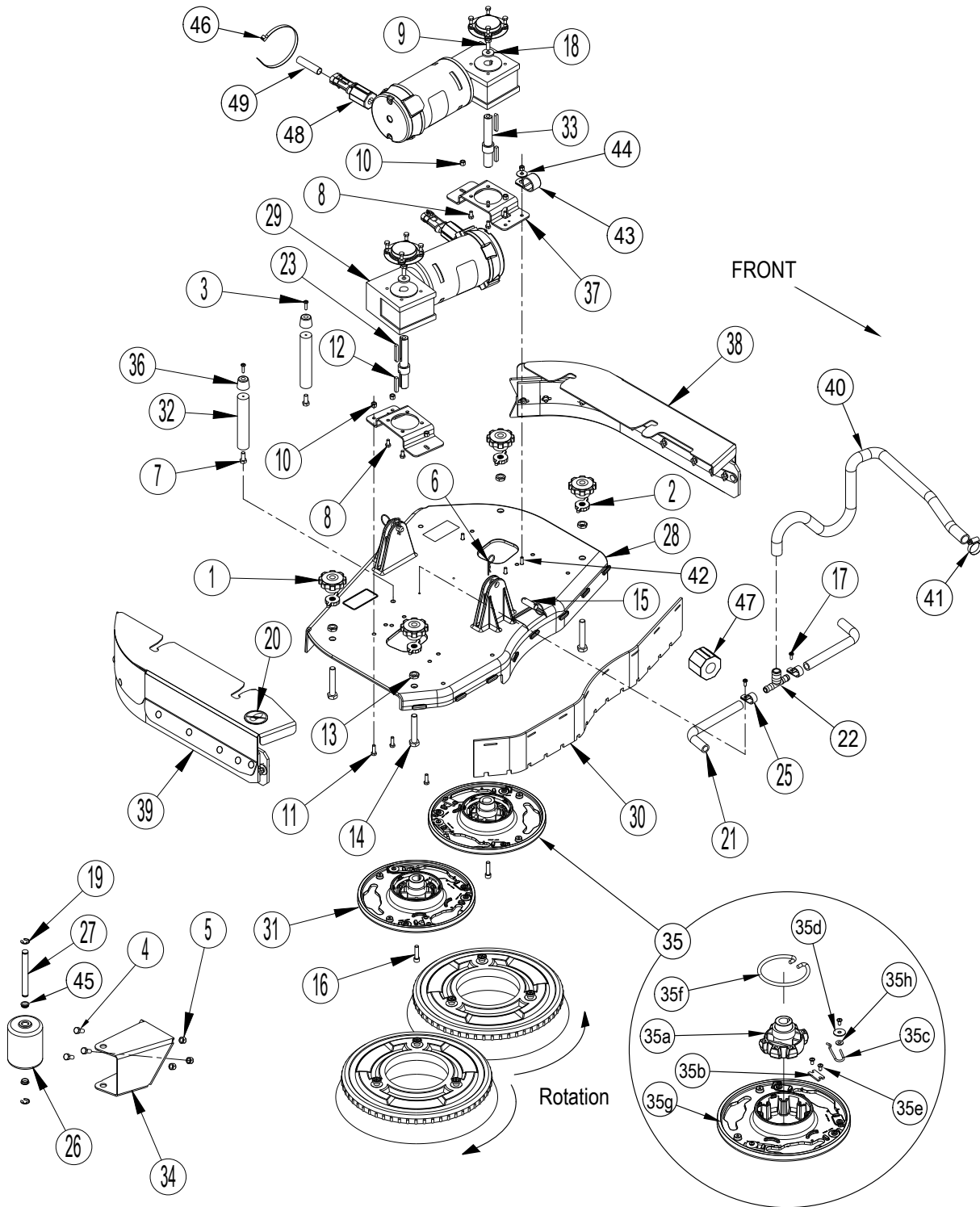
56601476 - Right Skirt Assy



Pos.	Artikelnummer	Hoeveelheid	Omschrijving	Notes
	56601468	1	LEFT SKIRT ASSEMBLY	[1]
	56601476	1	Kit rubbert rechts	[2]
1	56003426	8	Borgmoer 6 mm	
2	56003430	1	Schroef	[3]
3	56003431	1	Bout rvs M6 x 16	
4	56003454	6	Schroef	
6	56316194	1	KIT SIDE SKIRT BR755c	[4]
5	56009060	2	Leertje	
6	56601538	1	Zijrubber BR755C PU	[5]
6	56601681	1	Zijrubber BR755C linatex	[5]
7	56601047	1	SKIRT BRACKET WELDT	[6]
8	56601046	1	RETAINER-SKIRT	[6]
9	56601045	1	RETAINER-SKIRT	[7]
10	56601044	1	SKIRT BRACKET WELDT	[7]

Part Notes:

- [1] - 1-8
- [2] - 1-6, 9, 10
- [3] - EXPIRED USE 56003695
- [4] - All deck blade kits include all blades necessary.
- [5] - All deck blade kits include all blades necessary. - OPTIONAL, NOT INCLUDED
- [6] - LEFT
- [7] - RIGHT

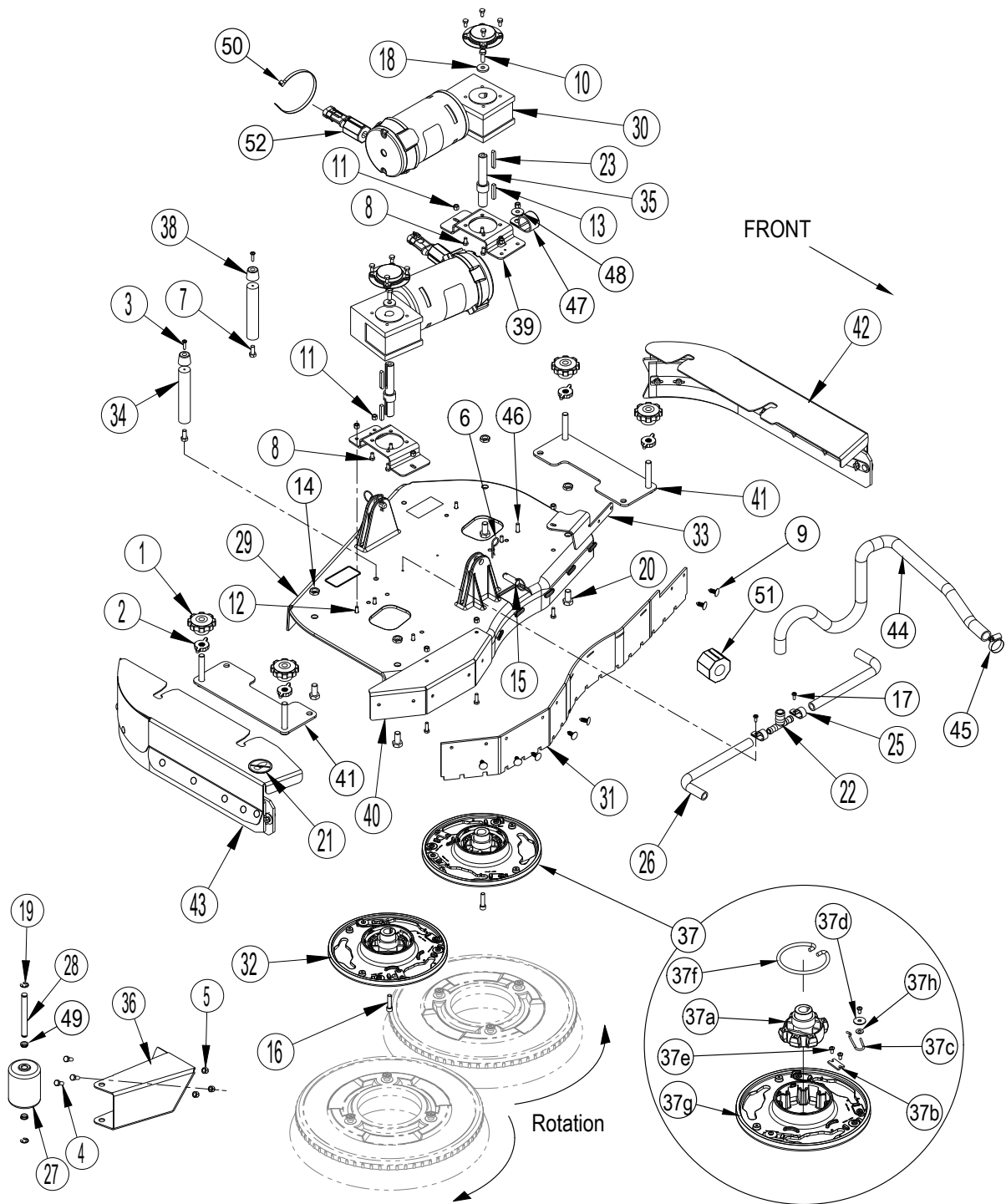


Pos.	Artikelnummer	Hoeveelheid	Omschrijving	Notes
1	56380149	4	Knop M12 1,75	[1]
2	56601578	4	KNOP	
3	56002192	2	Schroef	
4	56002667	3	Schroef	
5	56002701	3	Moer	
6	56002959	2	Pin	
7	56003012	2	Schroef SS 5/16-18x.75	
8	56003211	8	BOUT RVS M6-1.0 X 12	
9	56003335	2	Schroef	
10	56003426	6	Borgmoer 6 mm	
11	56003454	5	Schroef	
12	56003526	2	Spie As Borstelmotor BR755 SQ 5 X 1.44	
13	56003657	4	Nut hex jam m12-1.75	
14	56003658	4	Scr.thd to hd ss m12-1.75	
15	56003786	2	Plin ring .500 x 1.18	
16	56003798	2	SCR SOC HD 5/16 18 X 1.25	
17	56009029	2	SCR PANPHIL THD FORM 10-24X.50	
18	56009057	2	WSHFLTHARD.344 X 1.000 X	
19	56003264	2	Ring ret ext type e	
20	56016163	1	DECAL NO STEP	
21	56266108	2	HOSE SPIRAL .500 9	
22	56305760	1	TEE BARB 3/4 X 1/2 X 1/2	
23	56314359	2	Spie, 6mm vierkant	
25	56328064	2	CLAMP CABLE .75 E00129	
26	56407006	1	Roller	
27	56601580	1	PIN	
28	56601113	1	Scrub deck disc	
29	56601134	2	Borstelmotor met gearbox	[2]
	56601533	1	Gearbox voor borstelmotor	[3]
	56314580	1	Kogellager 6303	[4]
	56601537	1	Kogellager 6001	[5]
	56601534	2	CARBON BRUSH	[3]
	56601535	1	Bevestigingsstuk	[3]
	56601508	1	PLASTIC COVER	[3]
	56601536	1	Motorwaaier	[3]
30	56601248	1	BLADE FRONT 28 INCH	
	56601521	1	BLADE FRONT 28	[6]
31	56601734	1	Borstelhouderplaat BR755-855 assy	[7]
32	56601289	2	ROD UP STOP	
33	56601319	2	As Borstelmotor BR755-855	
34	56601032	1	ROLLER BRKT 28	
35	56601733	1	BRUSH PLATE ASSY-CCW	
35a	56112521	1	Gimbal collar assembly	
35b	56366455	1	Stop	
35c	56109653	2	VEER RETAINER	
35d	56009002	2	Ring plat 266x906x060	
35e	56009247	3	Schroef PN PHIL PLASTITE 10 14X.38	
35f	56601056	1	Veer borstelhouder	
35g	56601118	1	BRUSH PLATE	
35h	56001954	1	Schroef	
36	56601388	2	Cilinderblok	
37	56601389	2	Steun borstelmotor	
38	56383468	1	Zijflap kit	[8]
	56383471	1	SKIRT ASSY-LEFT-28D	[9]
	56384427	1	SKIRT ASSEMBLY KIT-28 IN EU	[10]
39	56601543	1	RECHTER ZIJROK CPLT	[8]
	56383470	1	SKIRT ASSY-RIGHT-28-34D	[9]
38-39	56383468	1	Zijflap kit	[9]

Pos.	Artikelnummer	Hoeveelheid	Omschrijving	Notes
40	56601793	1	HOSE-.75X36.00	
41	56244969	1	Slang klem SAE	
42	56003695	1	SCHROEF HEX THD TOHD SS M6 1.0X30MM	
43	56409463	1	STEUNRING SLANG	
44	56003696	1	Ring plat 33 x100 x60	
45	56302164	2	Lager	
46	56477613	1	Kabel	
47	56601687	1	FERRITE BEAD	[11]
48	56601686	2	FERRITE BEAD	[12]
49	56384077	2		[13]

Part Notes:

- [1] - TSBUS2010-1060
- [2] - M7 / M8
- [3] - Not Shown
- [4] - (fan end) Not Shown
- [5] - (brush end) Not Shown
- [6] - Optional, Not IncludedPU
- [7] - Item 31 (56601733) consists of the exact same components as item 35 (56601734)
- [8] - The original Skirt Assemblies have been reactivated and are available again. If you have a machine built before January 20, 2014 and After April 13, 2015 and you need to replace either skirt assembly you should order Skirt Assy Kit 56384427 for BR755
- [9] - The Side Skirt Assemblies were updated as of January 20, 2014. If you have a machine built between January 20, 2014 and April 13, 2015 and you need to replace either skirt assembly you should order Skirt Assy Kit 56383468 for BR755 models and replace
- [10] - EXPIRED USE 56383468
The original Skirt Assemblies have been reactivated and are available again. If you have a machine built before January 20, 2014 and After April 13, 2015 and you need to replace either skirt assembly you should order Skirt Assy Kit 56384427 for BR755
- [11] - Installed on main harness
- [12] - Installed on each brush drive motor
- [13] - 56384077 is only used on machines built after January 26th 2015. Revised or new since last update



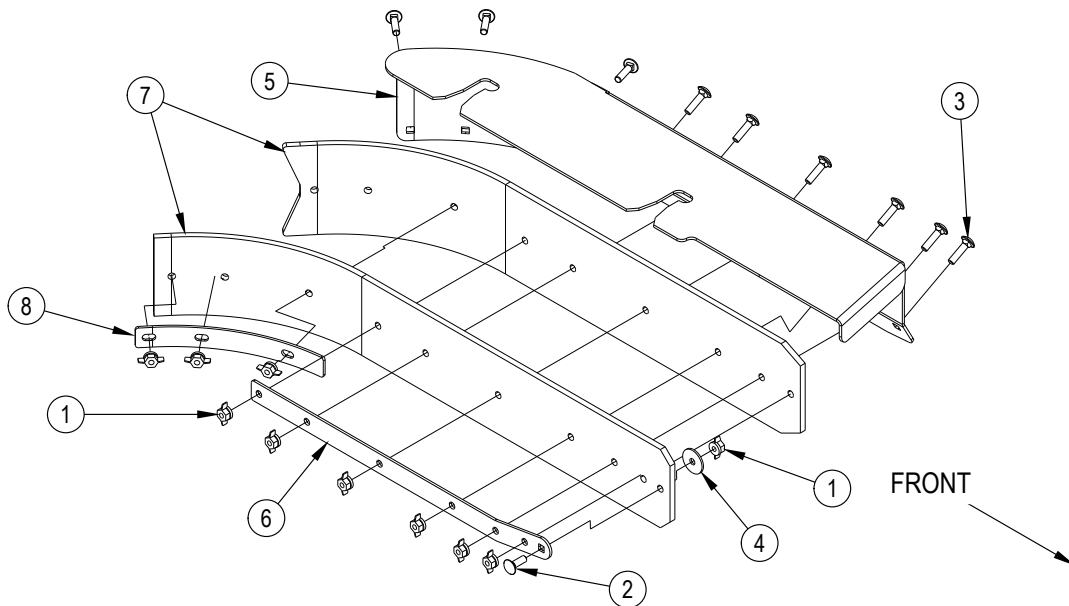
Pos.	Artikelnummer	Hoeveelheid	Omschrijving	Notes
1	56380149	4	Knop M12 1,75	[1]
2	56601578	4	KNOP	
3	56002192	2	Schroef	
4	56002667	3	Schroef	
5	56002701	3	Moer	
6	56003222	2	Pin cot hair	
7	56003012	2	Schroef SS 5/16-18x.75	
8	56003211	8	BOUT RVS M6-1.0 X 12	
9	56003263	7	Ring nylon	
10	56003335	2	Schroef	
11	56003426	9	Borgmoer 6 mm	
12	56003454	8	Schroef	
13	56003526	2	Spie As Borstelmotor BR755 SQ 5 X 1.44	
14	56003657	4	Nut hex jam m12-1.75	
15	56003786	2	Plin ring .500 x 1.18	
16	56003798	2	SCR SOC HD 5/16 18 X 1.25	
17	56009029	2	SCR PANPHIL THD FORM 10-24X.50	
18	56009057	2	WSHFLTHARD.344 X 1.000 X	
19	56003264	2	Ring ret ext type e	
20	56009119	4	VIJS	
21	56016163	1	DECAL NO STEP	
22	56305760	1	TEE BARB 3/4 X 1/2 X 1/2	
23	56314359	2	Spie, 6mm vierkant	
25	56328064	2	CLAMP CABLE .75 E00129	
26	56387302	2	Pvc-Buis	
27	56407006	1	Roller	
28	56601580	1	PIN	
29	56601113	1	Scrub deck disc	
30	56601134	2	Borstelmotor met gearbox	
	56601533	1	Gearbox voor borstelmotor	[2]
	56314580	1	Kogellager 6303	[3]
	56601537	1	Kogellager 6001	[4]
	56601534	2	CARBON BRUSH	[2]
	56601535	1	Bevestigingsstuk	[2]
	56601508	1	PLASTIC COVER	[2]
	56601536	1	Motorwaaier	[2]
31	56601275	1	Zuigstrip voor 34	
	56601522	1	BLADE FRONT 34	
32	56601734	1	Borstelhouderplaat BR755-855 assy	[5]
33	56601278	1	SKIRT BRACKET FRONT 34	
34	56601289	2	ROD UP STOP	
35	56601319	2	As Borstelmotor BR755-855	
36	56601031	1	ROLLER BRKT 34	
37	56601733	1	BRUSH PLATE ASSY-CCW	
37a	56112521	1	Gimbal collar assembly	
37b	56366455	1	Stop	
37c	56109653	2	VEER RETAINER	
37d	56009002	1	Ring plat 266x906x060	
37e	56009247	4	Schroef PN PHIL PLASTITE 10 14X.38	
37f	56601056	1	Veer borstelhouder	
37g	56601118	1	BRUSH PLATE	
37h	56001954	1	Schroef	
38	56601388	2	Cilinderblok	
39	56601389	2	Steun borstelmotor	
40	56601452	1	BORSTELKAP	
41	56601034	2	SIDE SKIRT WELDMENT	
42	56601542	1	SKIRT ASSEMBLY LT 34	[6]
	56383472	1	SKIRT ASSY-LEFT-34D	[7]

Pos.	Artikelnummer	Hoeveelheid	Omschrijving	Notes
	56384428	1	SKIRT ASSEMBLY KIT-34 IN EU	[7]
43	56601543	1	RECHTER ZIJROK CPLT	[6]
	56383469	1	Zijstrip kit -34 in	[7]
	56383470	1	SKIRT ASSY-RIGHT-28-34D	[7]
44	56601793	1	HOSE-.75X36.00	
45	56244969	1	Slang klem SAE	
46	56003695	1	SCHROEF HEX THD TOHD SS M6 1.0X30MM	
47	56409463	1	STEUNRING SLANG	
48	56003696	1	Ring plat 33 x100 x60	
49	56302164	2	Lager	
50	56477613	1	Kabel	
51	56601687	1	FERRITE BEAD	[8]
52	56601686	2	FERRITE BEAD	[9]

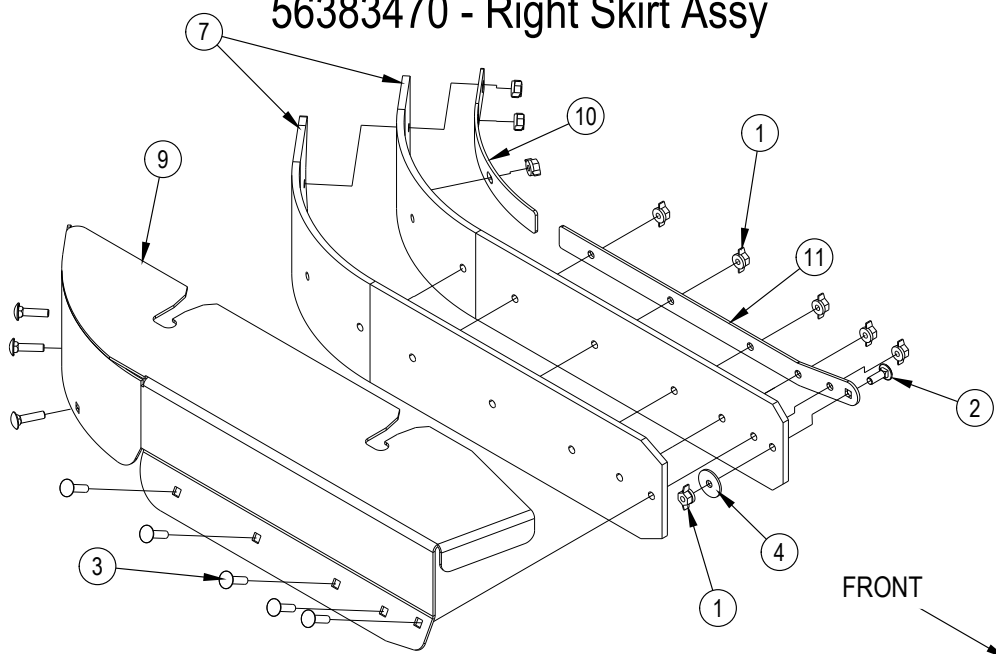
Part Notes:

- [1] - TSBUS2010-1060
- [2] - Not Shown
- [3] - (fan end) Not Shown
- [4] - (brush end) Not Shown
- [5] - Item 32 (56601733) consists of the exact same components as item 37 (56601734)
- [6] - The original Skirt Assemblies have been reactivated and are available again. If you have a machine built before January 20, 2014 and After April 13, 2015 and you need to replace either skirt assembly you should order Skirt Assy Kit 56384428 for BR855 models and replace them as a matched pair. See pages 20 and 21
- [7] - The Side Skirt Assemblies were updated as of January 20, 2014. If you have a machine built between January 20, 2014 and April 13, 2015 and you need to replace either skirt assembly you should order Skirt Assy Kit 56383469 for BR855 models and replace them as a matched pair. See pages 22 and 23. If you want to replace either Skirt Assembly with the original Side Skirt Assemblies you should order Skirt Assy Kit 56384428 for BR855 models and replace them as a matched pair. See pages 20 and 21
- [8] - Installed on main harness
- [9] - Installed on each brush drive motor

56383471 (BR755) / 56383472 (BR855) - Left Skirt Assy



56383470 - Right Skirt Assy



Resource notes:

NOTE 1: All quantities shown are for one skirt assembly. There are two skirt assemblies on the machine.

NOTE 2: All disk deck blade kits include all side skirt blades.

NOTE 3: The Side Skirt Assemblies have been updated as of January 20, 2014. The original Skirt Assemblies are no longer available. If you have a machine

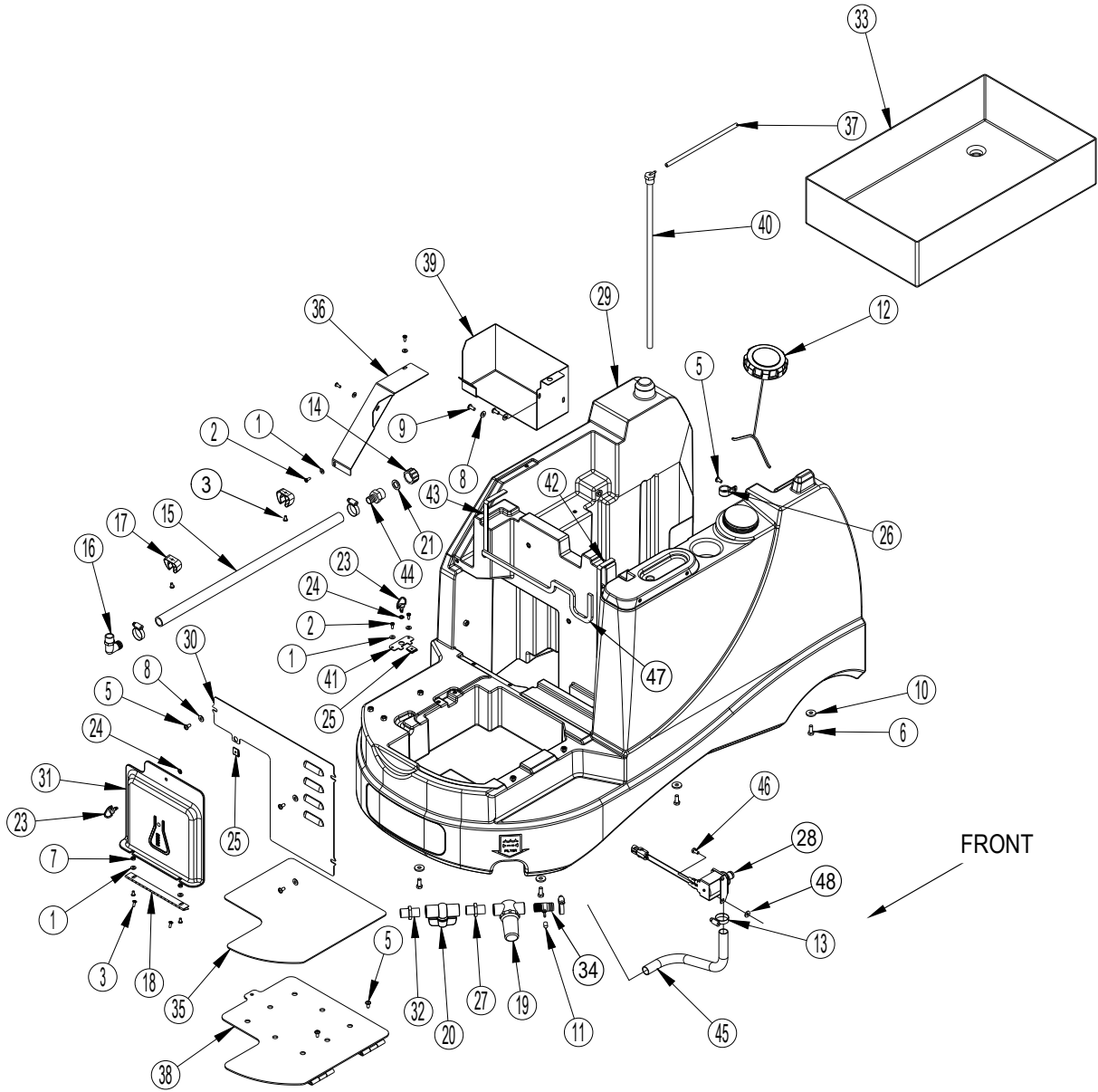
built prior to January 20, 2014 and you need to replace either skirt assembly you should order Skirt Assy Kit 56383468 for BR755 models or Skirt Assy Kit

56383469 for BR855 models and replace them as a matched pair.

Pos.	Artikelnummer	Hoeveelheid	Omschrijving	Notes
	56383471	1	SKIRT ASSY-LEFT-28D	[1]
	56383472	1	SKIRT ASSY-LEFT-34D	[2]
	56383470	1	SKIRT ASSY-RIGHT-28-34D	[3]
1	56003824	9	Vleugelmoer Plastic LOC 1/4-20	[4]
2	56003715	1	Schroef Carriage SS 1/4-20X.75	
3	56003828	8	Bout SS 1/4-20 X 1.00	[5]
4	56009060	1	Leertje	
5		1	NON-SALEABLE	
5	56383493	1	SKIRT BKT WELDT-LEFT-34D	[6]
6	56383473	1	STRAP-FRONT-28-34D	[7]
6	56383474	1	STRAP-FRONT-LEFT-34D	[8]
7	56383488	1	Zij- zuigstripset Gum.	[9]
	56383490	1	SKIRT BLADE KIT-PU	[9]
	56383489	1	Zij-skirt set Rood gum. BR 755/855	[9]
8	56114386	1	STRAP REAR 28D 34D	[7]
8	56114387	1	STRAP REAR 34D LT	[8]
9	56383470	1	SKIRT ASSY-RIGHT-28-34D	[10]
10	56114386	1	STRAP REAR 28D 34D	[10]
11	56383473	1	STRAP-FRONT-28-34D	[10]

Part Notes:

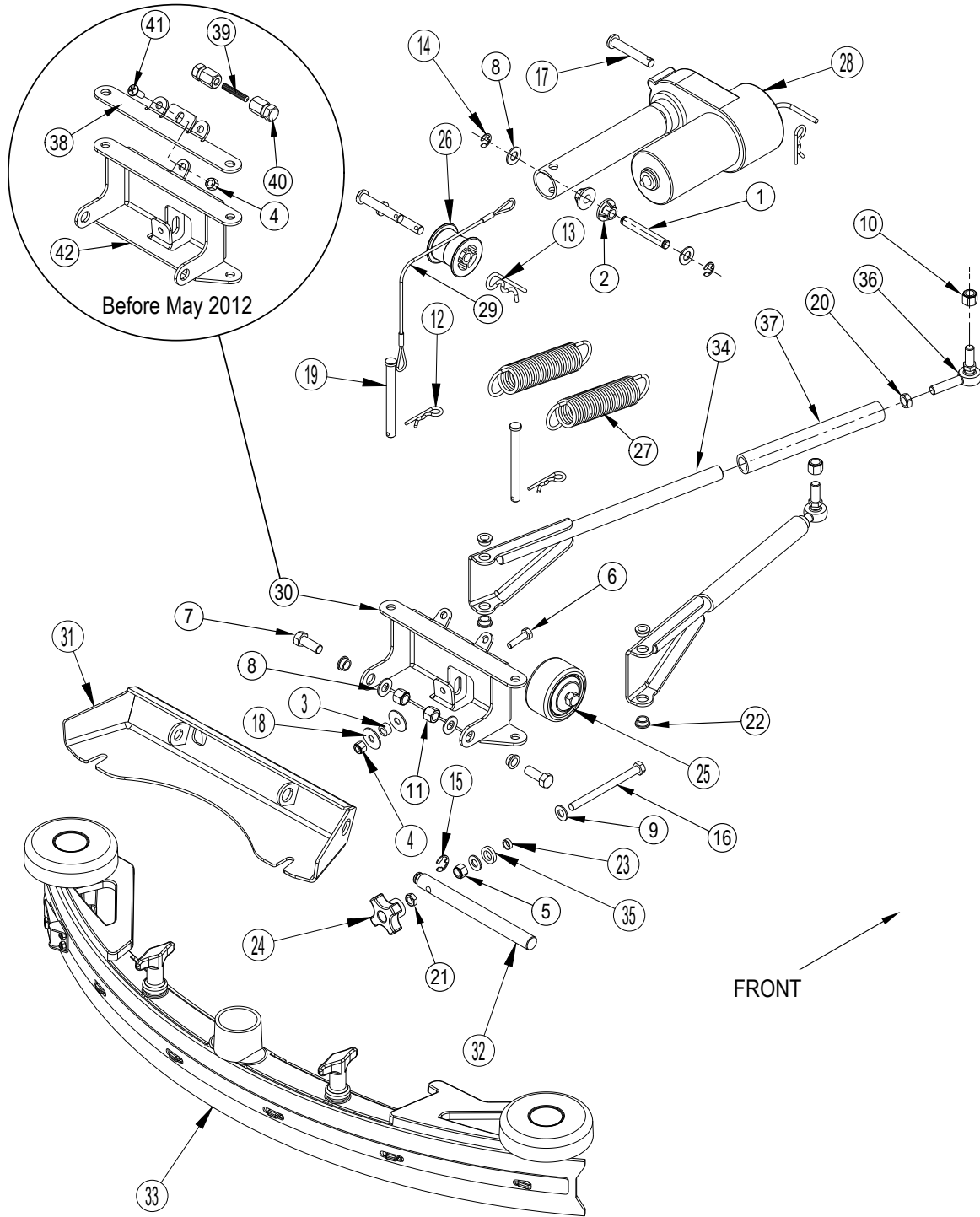
- [1] - (BR755 / 1-8) NOTE 3
- [2] - (BR855 / 1-8) NOTE 3
- [3] - (All Models / 1-4, 7, 9, 10, 11) NOTE 3
- [4] - (qty of 10 in 56383472)
- [5] - (qty of 9 in 56383472)
- [6] - NON-SALEABLE USE 56383472
- [7] - (BR755 / Left)
- [8] - (BR855 / Left)
- [9] - NOTE 2
- [10] - (All Models / Right)



Pos.	Artikelnummer	Hoeveelheid	Omschrijving	Notes
1	56002916	7	Ring SAE SS 10	
2	56003400	5	SCR PAN PHIL SS LOC 10-24X.50	
3	56003913	6	SCR-PAN PHIL LOC SS 10-24X.38	
5	56003119	8	Schroef	
6	56002667	4	Schroef	
7	56002849	2	Thin nyl loc nut	
8	56002859	2	Ring	
9	56002859	2	Ring	
10	56009122	4	Sluistring	
11	56051209	1	Rubber Tip Zwart	
12	56510442	1	Dop van de Tank	[1]
13	56244969	4	Slang klem SAE	
14	56255076	1	Kap	
15	56261265	1	TUBE E00521	
16	56314757	1	ELLEBOOG	
17	56601598	1	HOSE CLIP	
18	56315285	1	Scharnier voor tank	
19	56315296	1	Vloeistof filter	
19	56601594	1	Solution Filter Kit	[2]
20	56381521	1	KIT-BALL VALVE BRACKET	
21	56368776	1	Ring	
23	56380132	2	Fastener CR38A	
24	56380137	2	Retainer CR38B	
25	56380141	2	RECEPTACLE CR38C	
26	56410097	3	CLAMP P	
27	56412182	1	Nippel	
28	56601064	1	Solenoid Valve Assembly	[3]
29	56601076	1	SOLUTION TANK	
30	56601106	1	PANEL	
31	56601202	1	CHEMICAL BOTTLE COVER	
32	56601212	1	Reductie	[4]
33	56601213	1	Batterijtrog	
34	56601236	1	Tee Special 3/4 x 3/16 x 1/2	
35	56601246	1	MAT	
36	56601268	1	PLATE	
37	56112553	1	TUYAU	
38	56601339	1	CHARGER COVER WELDMENT	
39	56601845	1	BRACKET	
40	56344172	1	Waterdrukpomp met Elbow	[5]
41	56601843	1	PLATE	
42	56601569	1	GASKET	
43	56601570	1	GASKET	
44	56900273	1	Adaptor oplossing BR 850	
45	30445A	1	Hose, solution	
46	56002935	1	SCR HEX LOC SS 1/4-20 X .5	
47	56601685	1	GASKET	
48	56009064	1	RONDELLE	

Part Notes:

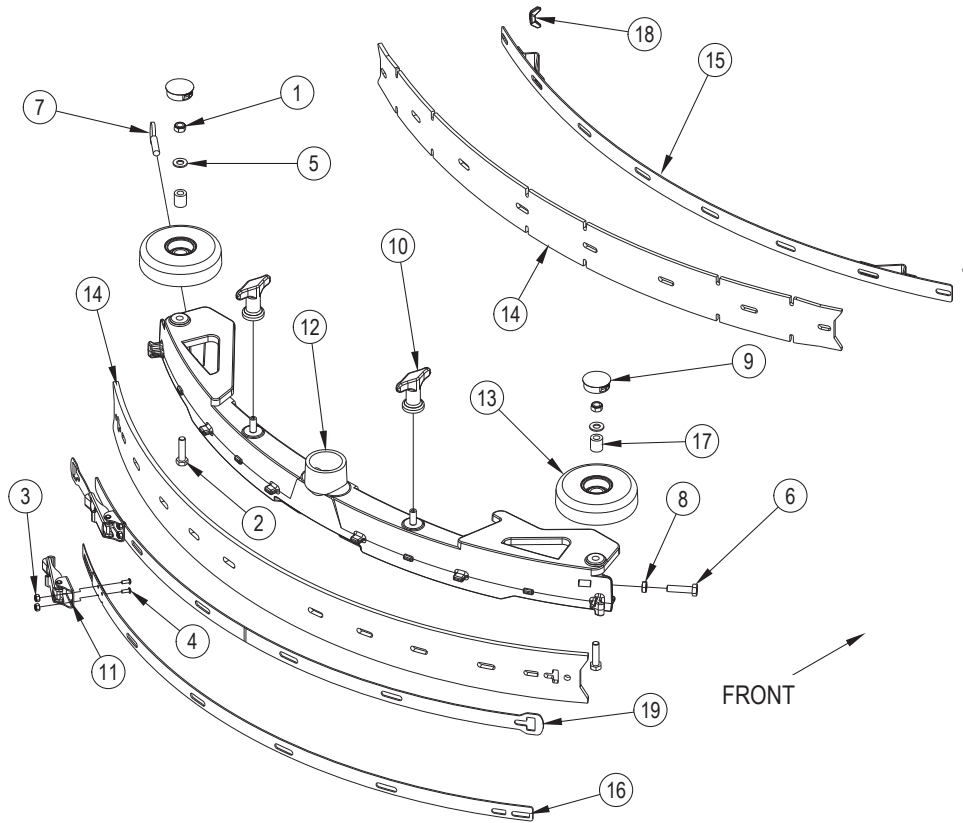
- [1] - TSB-FC-2015-031 Various machines Solution Fill Cap
- [2] - 56601594 is a repair kit for the item 56315296. 56601594 contains: filter mesh, o-ring and filter cup
- [3] - TSB-FC-2015-023-Various Machines -Clean water leaking from machine when
DE TSB-FC-2015-023 Div. Maschinen - Undichtes Magnetventil
- [4] - 56601212 is only used on machines built before December 16, 2013. After that date it is replaced with 56412182.
- [5] - May 2011



Pos.	Artikelnummer	Hoeveelheid	Omschrijving	Notes
1	56412088	1	As	
2	56412248	2	Ring	
3	56453691	1	SPACER	
4	56002491	2	Moer	[1]
5	56002856	1	Moer	
6	56002883	1	Bout	
7	56002886	2	Schroef SS 3/8-16 X 1.00	
8	56002910	4	Schroef	
9	56002938	2	WASHER	
10	56002951	2	NUT HEX NYL LOC 3/8-24	
11	56003219	2	Schroef	
12	56003222	3	Pin cot hair	
13	56003223	1	Pin	
14	56003262	2	Ring	
15	56003264	1	Ring ret ext type e	
16	56003486	1	Schroef HD SS 5/16-18X4.00	
17	56003656	3	Vorkbout	
18	56003696	2	Ring plat 33 x100 x60	
19	56003713	2	Splitpen .38 X 3.75	
20	56009103	2	Moer	
21	56009141	1	MOER	
22	56324505	6	Lager	
23	56381818	1	BUSHING .32X.44X.14	
24	56407303	1	Knop	
25	56412124	1	Wiel BR 700	
26	56412208	1	Roller	
27	56412216	2	Spring extension	[2]
28	56601147	1	Actuator motor 24V	[3]
29	56601257	1	Cable Assembly	
30	56601038	1	WELDT-SQUEEGEE PIVOT	[4]
31	56601037	1	WELDT-SQUEEGEE MOUNT	
32	56601442	1	As	
33	56601449	1	Squeegee assembly	[5]
	56601454	1	Zuigmond assy BR 855	[6]
34	56601460	2	As voor duwbeugel	
35	56601463	1	WASHER POLYURETHANE	
36	56601469	2	Rod End	
37	56601512	2	Slang	
38	56382623	1	Zuigmondhouder beugel	[2]
39	56382637	1	ROD-THREADED .25 X 1.25	[2]
40	56382624	2	NUT-SPRING	[2]
41	56002957	1	Scr pan hil ss 1/4-20	[7]
42	56601436	1	Squeegee pivot	[8]

Part Notes:

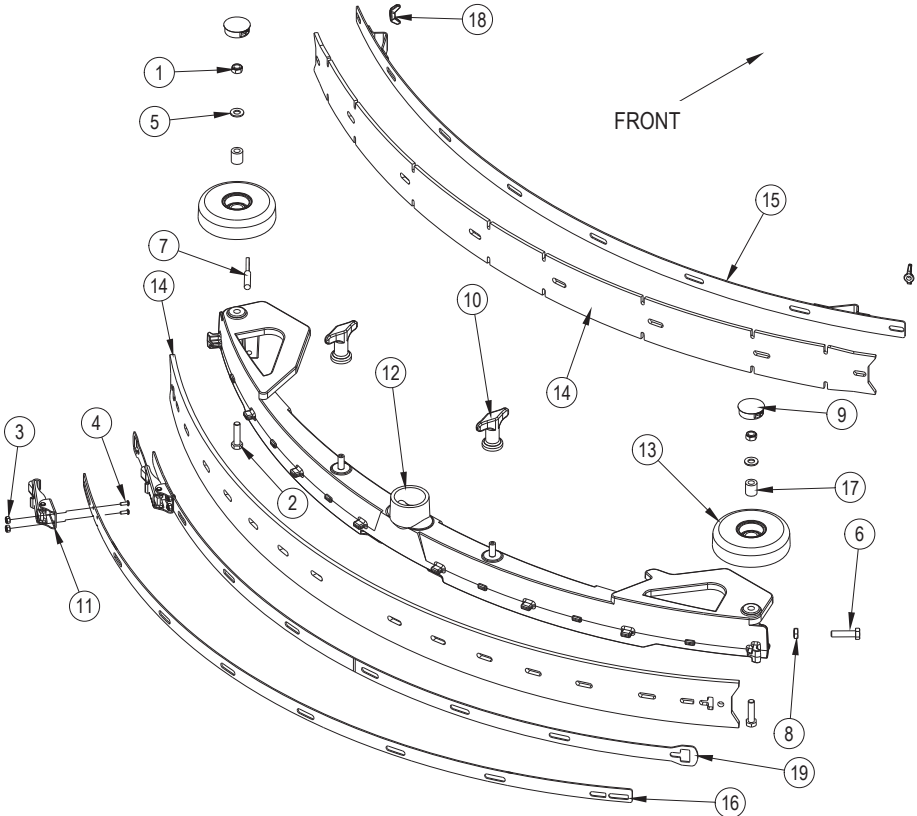
- [1] - These parts were implemented in production as of November 2011 to increase squeegee down pressure. Order Squeegee Spring Kit 56382635 to upgrade your machine to include this improvement. Only used before May 2012
- [2] - These parts were implemented in production as of November 2011 to increase squeegee down pressure. Order Squeegee Spring Kit 56382635 to upgrade your machine to include this improvement. Only used before May 2012
- [3] - M3
- [4] - After April 2012
- [5] - BR 755 Includes Gum Rubber Blades
- [6] - BR 855 Includes Gum Rubber Blades
- [7] - These parts were implemented in production as of November 2011 to increase squeegee down pressure. Order Squeegee Spring Kit 56382635 to upgrade your machine to include this improvement. Only used before May 2012
- 56382635 - Squeegee spring kit
- [8] - Before May 2012



Pos.	Artikelnummer	Hoeveelheid	Omschrijving	Notes
00	56601449	1	Squeegee assembly	[1]
1	56002851	2	Moer nyl loc dun SS5/16-18	
2	56003302	2	Schroef	
3	56002907	2	Nut hex nyl loc ss 6 32	[2]
4	56002909	2	Bout	[2]
5	56002938	2	WASHER	
6	56003302	1	Schroef	
7	56003792	1	Schroef SS 5/16-18 X 1.25	
8	56009141	1	MOER	
9	56111444	2	Button plug 1.25	
10	56370711	2	Vleugelmoer	
11	56471194	1	Klem mondstuk	[2]
12		1	SQUEEGEE CASTING - BR 755, NOTE 2	[3]
13	56601450	2	Wiel 4,00 OD	
14	56382734	1	Zuigstripset 28 inch gum	[4]
14	56382735	1	Zuigstripset 28 inch rood	[4]
14	56382737	1	Zuigstripset 28 inch PU	[4]
15	56601489	1	FRONT STRAP WELDMENT	
16	56382676	1	Zuigmondstrip 28 inch	[5]
16	56601591	1	Bevestiging achterse strip	[6]
17	56601499	2	Ring Nylon	
18	56009111	2	Vleugelmoer s.s. 1/4 20	[7]
19	56382697	1	CLAMP-BAND 28 IN ASSY	[8]

Part Notes:

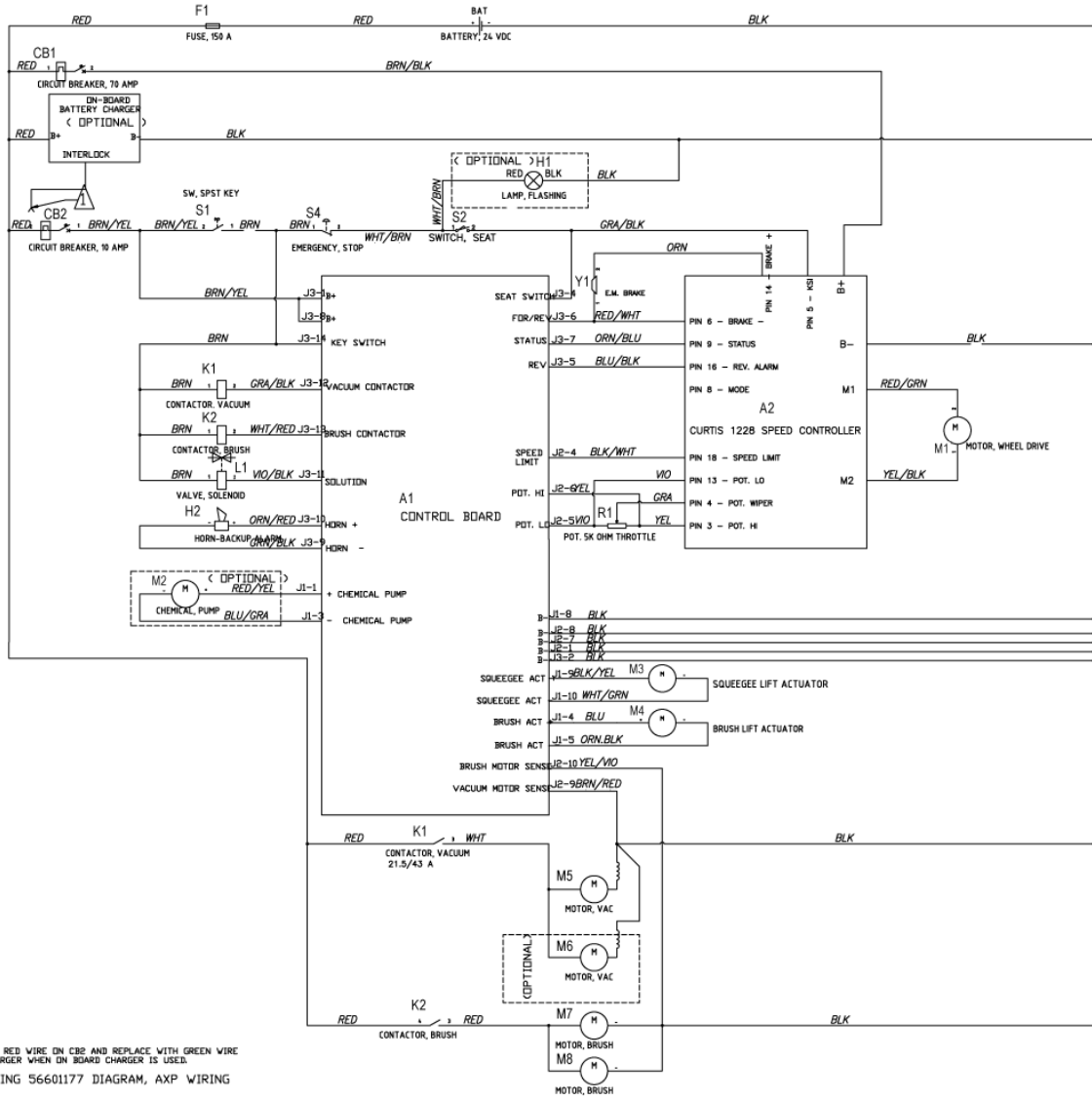
- [1] - BR 755 - Includes Gum Rubber Blades
- [2] - Before June 2012
- [3] - SQUEEGEE CASTING - BR 755, The squeegee casting is not available for sale separately. If you need to replace your squeegee casting please order a new Squeegee Assembly part number 56601449.
- [4] - All squeegee blade kits include both front and rear squeegee blades. These squeegee blades are designed to provide increased performance and reduced streaking. When installing these blades on a machine built before November 2011 you must also order a new rear strap part number 56382676. After October 2011
- [5] - Squeegee assembly - BR 855 - Only used after SN 3000023099.
- [6] - Squeegee assembly - BR 855 - Only used before SN 3000023100.
- [7] - Squeegee assembly - BR 855- Only used before SN 3000023100.
- [8] - After May 2012



Pos.	Artikelnummer	Hoeveelheid	Omschrijving	Notes
00	56601454	1	Zuigmond assy BR 855	[1]
1	56002851	2	Moer nyl loc dun SS5/16-18	
2	56003302	2	Schroef	
3	56002907	2	Nut hex nyl loc ss 6 32	[2]
4	56002909	2	Bout	[2]
5	56002938	2	WASHER	
6	56003302	1	Schroef	
7	56003792	1	Schroef SS 5/16-18 X 1.25	
8	56009141	1	MOER	
9	56111444	2	Button plug 1.25	
10	56370711	2	Vleugelmoer	
11	56471194	1	Klem mondstuk	
12		1	SQUEEGEE CASTING - BR 855, NOTE2	[3]
13	56601450	2	Wiel 4,00 OD	
14	56382740	1	Zuigstripset 34 inch PU	[4]
14	56382738	1	Zuigstripset 34 inch gum	[4]
14	56382739	1	Zuigstripset 34 inch rood	[4]
15	56601495	1	Voorste stripbevestiging	[5]
16	56601496	1	STRAP REAR	[6]
16	56601593	1	Achterste stripbevestiging	[7]
17	56601499	2	Ring Nylon	
18	56009111	2	Vleugelmoer s.s. 1/4 20	[7]
19	56382698	1	CLAMP-BAND 34 IN ASSY	[8]

Part Notes:

- [1] - BR 855 - Includes Gum Rubber Blades
- [2] - Before May 2012
- [3] - The squeegee casting is not available for sale separately. If you need to replace your squeegee casting please order a new Squeegee Assembly part number 56601454.
- [4] - All squeegee blade kits include both front and rear squeegee blades.
- [5] - BR 855
- [6] - TSB US 2009-1041. New Squeegee Casting - Only used after SN 300006846 and before May 2012
- [7] - TSB US 2009-1041. New Squeegee Casting - Only used before SN 300006847.
- [8] - After April 2012



NOTES
 ⚠ DISCONNECT RED WIRE ON CB2 AND REPLACE WITH GREEN WIRE FROM CHARGER WHEN ON BOARD CHARGER IS USED.
 REF DRAWING 56601177 DIAGRAM, AXP WIRING

Pos.	Artikelnummer	Hoeveelheid	Omschrijving	Notes
A1	56384462	1	INTERFACE PANEL ASSY	
A2	56601061	1	SPEED CONTROL	
BAT		1	BATTERY, NOT AVAILABLE	[1]
CB1	56454429	1	Relais	
CB2	56507644	1	Zekering 10A	
F1	56412089	1	Zekering 150 amp	
H1	56307166	1	BEACON ASSEMBLY	[2]
H2	56412177	1	Alarm	
K1	56601183	1	CONTACTOR 24V - 100 AMP	
K2	56412179	1	Contactoer 24 Vdc	
L1	56601064	1	Solenoid Valve Assembly	[3]
M1	56601050	1	Tractiemotor wiel	
M2	56315241	1	Pomp	
M3	56601147	1	Actuator motor 24V	
M4	56601432	1	Actuator Liftmotor	
M5	56601488	1	Vac Motor	
M6	56601488	1	Vac Motor	[2]
M7	56601134	2	Borstelmotor met gearbox	[4]
M7	56315061	1	Borstelmotor cyl	[5]
M8	56601134	2	Borstelmotor met gearbox	[4]
M8	56315061	1	Borstelmotor cyl	[5]
R1		1	Part of 56385804	
S1	56303553	1	Sleutel schakelaar	
S1	56303526	1	Sleutel BA 755/855 2 stuk	[6]
S2	7-82-00050	1	Schakelaar Staal	
S4	56407130	1	Noodstop BR 850	
Y1	56601507	1	Parkeer Rem	
Y1	56315124	1	Ingebouwde Lader 24V	[7]

Part Notes:

- [1] - BATTERY, NOT AVAILABLE
- [2] - OPTIONAL
- [3] - TSB-FC-2015-023-Various Machines -Clean water leaking from machine when
DE TSB-FC-2015-023 Div. Maschinen - Undichtes Magnetventil
- [4] - DISK
- [5] - CYLINDRICAL, TSB US 2010-1058. Identification of Cyl. Brush Motors
- [6] - OPTIONAL, NOT INCLUDED

for 56303553

- [7] - TSBUS2008-984

Pos.	Artikelnummer	Hoeveelheid	Omschrijving	Notes
1		1	Kits	[1]
2	56397453	1	Batterij niveau indicator	[2]
3	7-03-04249	1	Armsteun links + rechts	
4	56383188	1	ARM REST KIT R/H + L/H	
5	56601085	1	Zwaailicht kit	
6	56601087	1	Zuigset met wandhouder	
7	56422162	1	Veiligheidsriem kit	
8	56601090	1	Dual vacuum kit	
9	56601080	1	Inbouwladener kit	
10	56601527	1	KIT BATTERY WATERING	[2]
11	56315732	1	QUIQ PROGRAMMEER KIT	
12	56601082	1	EDS kit onboard chemical	
13	56601735	1	DEBRIS TRAY	
14	56601546	1	KIT 28 DISK DECK ASSY	
15	56601547	1	KIT 34 DISK DECK ASSY	
16	56601756	1	KIT-28 CYL DECK ASSY-EU	
17	56383697	1	SKIRT EXT-CONCRETE POLISH KIT	
18		1	BR 755 Squeegee Blade Kits	
19	56382734	1	Zuigstripset 28 inch gum	
21	56382737	1	Zuigstripset 28 inch PU	
23	56382735	1	Zuigstripset 28 inch rood	
25		1	BR 855 Squeegee Blade Kits	
26	56382738	1	Zuigstripset 34 inch gum	
27	56382740	1	Zuigstripset 34 inch PU	
28	56382739	1	Zuigstripset 34 inch rood	
29		1	Disk Deck Blade Kits	
30	56383488	1	Zij- zuigstripset Gum.	
31	56383490	1	SKIRT BLADE KIT-PU	
32	56383489	1	Zij-skirt set Rood gum. BR 755/855	
33		1	Cylindrical Deck Blade Kits	
34	56316194	1	KIT SIDE SKIRT BR755c	
35	56601538	1	Zijrubber BR755C PU	
36	56601681	1	Zijrubber BR755C linatex	
37		1	Accessories	
38	56383571	1	Programmer	
39	56383572	1	PROGRAMMER CABLE-MOLEX	
40	56044419	1	LITERATURE PACK	[3]
41		1	BA 755 Disk Scrub Brushes (See Brush Selector Guide)	
42	56505800	2	Padhouder 14 inch	
43	56505195	2	Sluitplaat padhouder	
44	56505805	2	BORSTEL 14 INCH PROLITE	
45	56505804	2	BORSTEL 14 INCH PROLENE	
46	56505806	2	BORSTEL 14 INCH UNION MIX	
47	56505803	2	BORSTEL 14 INCH AGLITE	
48	56505807	2	BORSTEL 14 INCH MIDGRIT	
49	56505808	2	BORSTEL 14 INCH MIDLITE	
50	56505802	2	BORSTEL 14 INCH DYNAGRIT	
51	56505801	2	BORSTEL 14 INCH MAGNAGRIT	
52		1	BA 855 Disk Scrub Brushes (See Brush Selector Guide)	
53	56505780	2	Padhouder 17 inch	
54	56505195	2	Sluitplaat padhouder	
55	56505785	2	Borstel 17 inch prolite	
56	56505784	2	Borstel 17 inch prolene	
57	56505786	2	Borstel 17 inch union mix	
58	56505783	2	BORSTEL 17 INCH AGLITE	
59	56505787	2	Borstel 17 inch midgrit	
60	56505788	2	BORSTEL 17 INCH MIDLITE	
61	56505782	2	Borstel 17 inch Dynagrit	

Pos.	Artikelnummer	Hoeveelheid	Omschrijving	Notes
62	56505781	2	BORSTEL 17 INCH MAGNAGRIT	
63		1	BA 755 Cylindrical Scrub Brushes (See Brush Selector Guide)	
64	56412191	2	Borstel 28 inch zacht nylon Geel	[4]
65	56412192	2	Borstel 28 inch hard nylon natural	
66	56412046	2	Borstel 28 inch PPL rood	
67	56412193	2	Borstel 28 inch grit 180 blauw - grijs	
68	56412194	2	Borstel 28 inch Grit 80 Zwart	[4]
69	56412195	2	Borstel 28 inch oranje-bruin grit 46	[4]

Part Notes:

- [1] - NOTE 2: All disk deck blade kits include all side skirt blades.
NOTE 3: All cylindrical deck blade kits include all blades necessary.
NOTE 4: These squeegee blades are designed to provide increased performance and reduced streaking. When installing these blades on a machine built before November 2011 you must also order a new rear strap part number 56382676.
- [2] - NOT FOR SALE VIA EDC
- [3] - PRINT FROM HOMEPAGE
- [4] - COMPLEXITY REDUCTION

We provide brushes and pad holders that will give you the best possible performance between machine and floor. Following are descriptions of the materials and their applications.

- Union Mix:** Medium grade natural fibers for polishing finished floors with standard-speed equipment. Recommended for use in place of white pads.
- ProLite:** Bristles are made from light-duty polypropylene for general scrubbing when you do not want to scratch or remove finish from the floor. Recommended for use in place of red pads.
- Prolene:** Polypropylene material for medium-duty scrubbing on concrete, terrazzo and vinyl floor tile. Recommended for use in place of green or blue pads.
- Magna Grit:** For extreme heavy-duty scrubbing or stripping of floors. This brush has extra large diameter silicon carbide grit impregnated synthetic bristles. Recommended for use in place of black pads.
- Dyna Grit:** For aggressive, heavy-duty scrubbing or stripping of floors. Recommended for use in place of brown pads.
- MidLite Grit:** For general purpose scrubbing of sealed or unsealed concrete, stone, terrazzo, quarry tile and other resilient hard floor surfaces. Recommended for use in place of green or blue pads.
- MidGrit:** For general purpose scrubbing when you need a lighter action for sealed or unsealed concrete, stone, terrazzo, quarry tile and other resilient hard floor surfaces. Recommended for use in place of green or blue pads.
- AgLite Grit:** For light scrubbing when used wet; buffing or polishing when used dry on urethane coated, sealed concrete or other resilient hard surface floors. Recommended for use in place of red or white pads.
- Short Trim Pad Holder:** Made with a structural foam block and center ring for correct pad centering. It has a "shower feed" design for getting solution to the floor.

BR 755 BRUSHES

- 56505800 - Short Trim Pad Holder
- 56505195 - Pad Retainer for 56505800
- 56505801 - Magna Grit
- 56505802 - Dyna Grit
- 56505803 - AgLite Grit
- 56505804 - Prolene
- 56505805 - Prolite
- 56505806 - Union Mix
- 56505807 - MidGrit
- 56505808 - MidLite Grit

BR 855 BRUSHES

- 56505780 - Short Trim Pad Holder
- 56505195 - Pad Retainer for 56505830
- 56505781 - Magna Grit
- 56505782 - Dyna Grit
- 56505783 - AgLite Grit
- 56505784 - Prolene
- 56505785 - Prolite
- 56505786 - Union Mix
- 56505787 - MidGrit
- 56505788 - MidLite Grit

DISC BRUSH APPLICATION GUIDE (SUGGESTION ONLY)

Application	46 Grit	80 Grit	180 Grit	240 Grit	500 Grit	Prolene	Prolite	Union Mix
Stripping:								
Concrete	X	X						
Terrazzo	X	X						
Ceramic/Quarry tile		X						
Vinyl tile		X						
General Scrubbing:								
Concrete	X	X	X	X		X		
Terrazzo			X	X	X	X		
Ceramic/Quarry tile			X	X	X	X		
Marble					X		X	
Vinyl tile			X		X	X		
Raised-rubber tile					X		X	
Polishing:								
Raised Disc Tile								X
Marble								X
Vinyl tile								X

Pos.	Artikelnummer	Hoeveelheid	Omschrijving	Notes
			Pos. 1-10: BR 755 Brushes	
01	56505800	1	Padhouder 14 inch	
02	56505195	1	Sluitplaat padhouder	[1]
03	56505801	1	BORSTEL 14 INCH MAGNAGRIT	
04	56505802	1	BORSTEL 14 INCH DYNAGRIT	
05	56505803	1	BORSTEL 14 INCH AGLITE	
06	56505804	1	BORSTEL 14 INCH PROLENE	
07	56505805	1	BORSTEL 14 INCH PROLITE	
08	56505806	1	BORSTEL 14 INCH UNION MIX	
09	56505807	1	BORSTEL 14 INCH MIDGRIT	
10	56505808	1	BORSTEL 14 INCH MIDLITE	
			Pos. 11-20: BR 855 Brushes	
11	56505780	1	Padhouder 17 inch	
12	56505195	1	Sluitplaat padhouder	[2]
13	56505781	1	BORSTEL 17 INCH MAGNAGRIT	
14	56505782	1	Borstel 17 inch Dynagrit	
15	56505783	1	BORSTEL 17 INCH AGLITE	
16	56505784	1	Borstel 17 inch prolene	
17	56505785	1	Borstel 17 inch prolite	
18	56505786	1	Borstel 17 inch union mix	
19	56505787	1	Borstel 17 inch midgrit	
20	56505788	1	BORSTEL 17 INCH MIDLITE	

Part Notes:

- [1] - PAD RETAINER FOR 56505800
 [2] - PAD RETAINER FOR 56505830

We provide brushes and pad holders that will give you the best possible performance between machine and floor. Following are descriptions of the materials and their applications.

- 46 Grit Brush: Most aggressive grit brush. Used primarily to clean heavy buildup on concrete floors in factories, or for heavy stripping of finish.
- 80 Grit Brush: Medium aggressive grit brush. Good all-around brush for medium to heavy buildup removal. Can also be used for general stripping operations.
- 180 Grit Brush: Least aggressive grit brush. Used for daily cleaning of hard-finished floors.
- Polypropylene Brush: Standard equipment brush. Low cost, yet effective in cleaning many common floor surfaces.
- Stiff Nylon Brush: Cleaning action similar to polypropylene. More durable and wear-resistant than polypropylene.
- Soft Nylon Brush: Least aggressive brush available. Used on soft-finish floors where a more aggressive brush would leave scratch marks, or in applications requiring very light cleaning.

BR 755 BRUSHES

- 56412191 - Soft Nylon
- 56412192 - Hard Nylon
- 56412046 - Prolene
- 56412193 - 180 Grit
- 56412194 - 80 Grit
- 56412195 - 46 Grit

CYLINDRICAL BRUSH APPLICATION GUIDE (SUGGESTION ONLY)

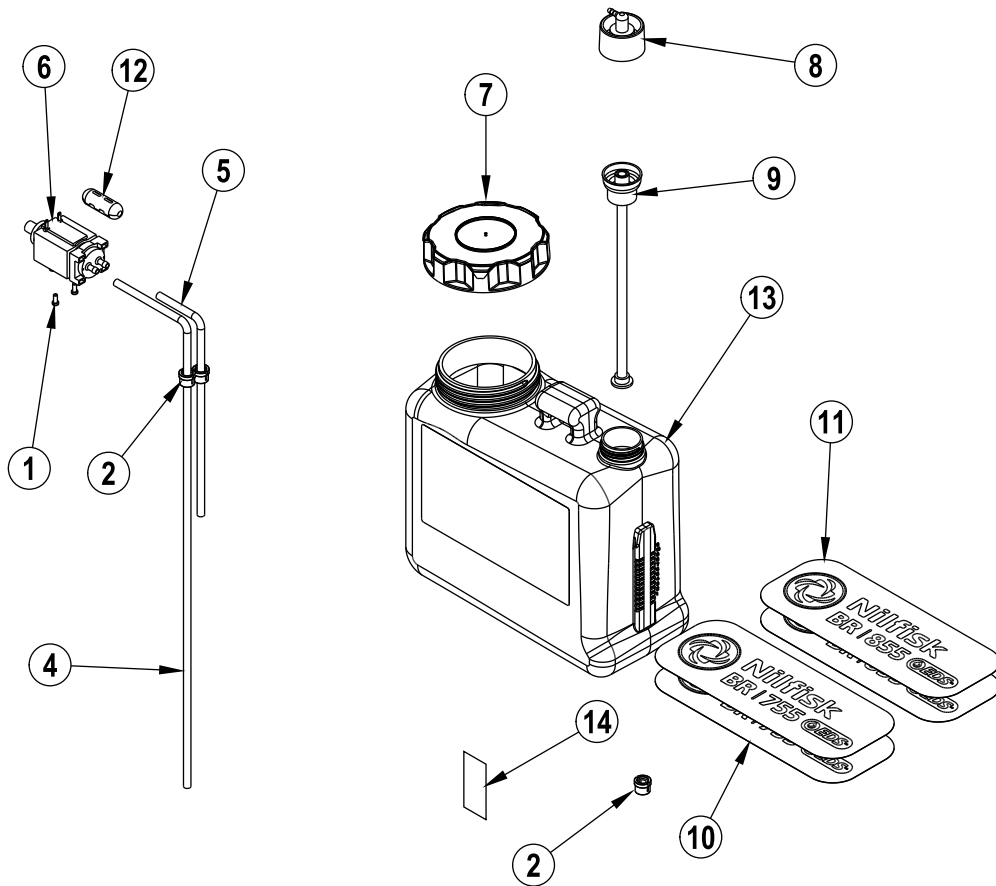
Application	46 Grit	80 Grit	180 Grit	Polypropylene	Stiff Nylon	Soft Nylon
Stripping:						
Concrete	X	X				
Terrazzo	X	X				
Ceramic/Quarry tile		X				
Vinyl tile		X				
General Scrubbing:						
Concrete	X	X	X	X	X	
Terrazzo			X	X	X	X
Ceramic/Quarry tile			X	X	X	X
Marble			X		X	X
Vinyl tile			X	X	X	X
Raised-rubber tile			X			X

Pos.	Artikelnummer	Hoeveelheid	Omschrijving	Notes
01	56412191	1	Borstel 28 inch zacht nylon Geel	[1]
02	56412192	1	Borstel 28 inch hard nylon natural	
03	56412046	1	Borstel 28 inch PPL rood	
04	56412193	1	Borstel 28 inch grit 180 blauw - grijs	
05	56412194	1	Borstel 28 inch Grit 80 Zwart	[1]
06	56412195	1	Borstel 28 inch oranje-bruin grit 46	[1]

Part Notes:

[1] - COMPLEXITY REDUCTION

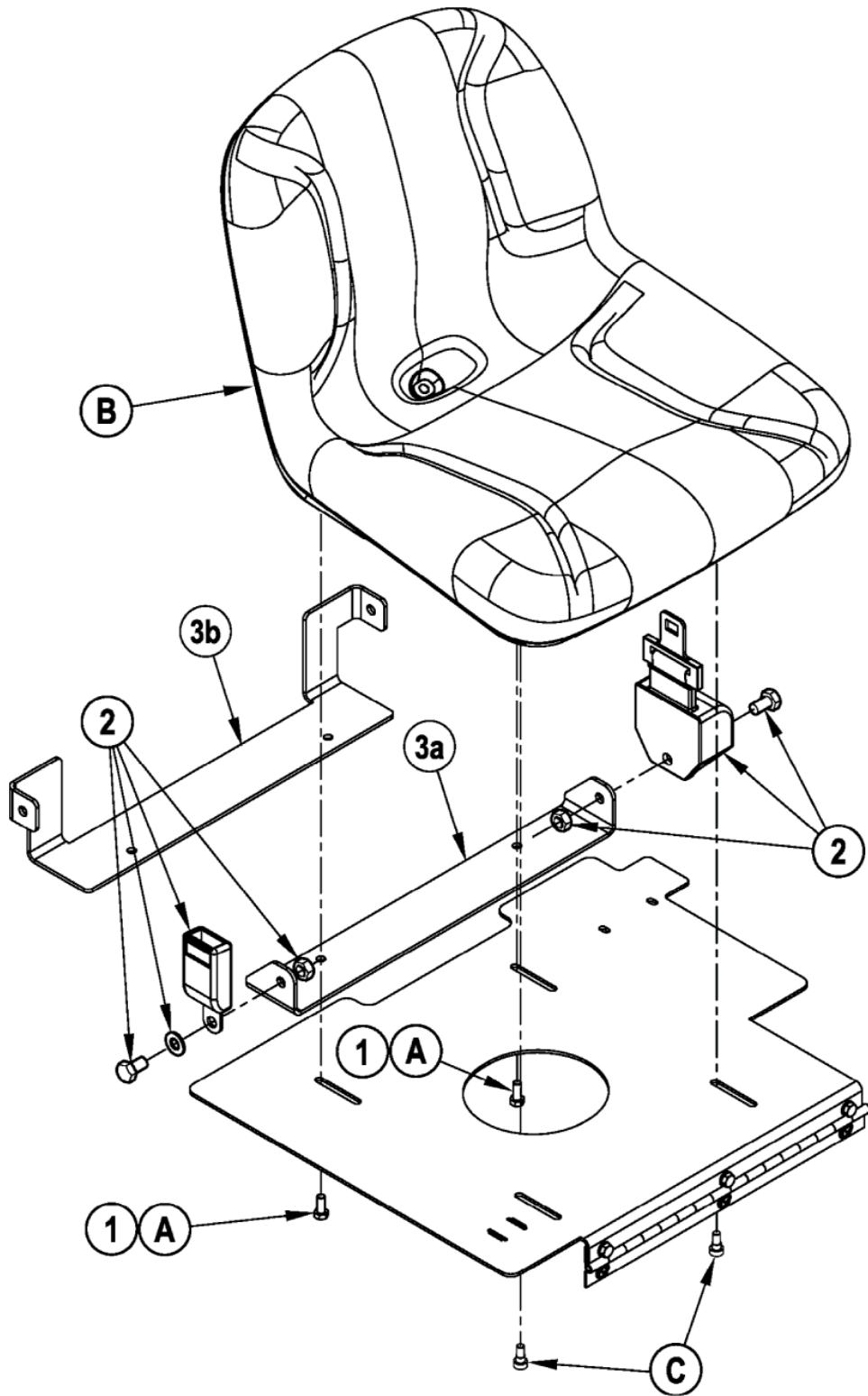
Pos.	Artikelnummer	Hoeveelheid	Omschrijving	Notes
	56507644	1	Zekering 10A	
	56385084	1	FOOT PEDAL ASSEMBLY	
	56601077	1	SPINDLE WELDT	
	56601171	1	CONNECTOR ASM	
	56601271	1	KNOB 5/16 STUD	
	56314580	1	Kogellager 6303	
	56316089	1	Wiel	
	56601125	1	Filter	
	56601533	1	Gearbox voor borstelmotor	
	56601061	1	SPEED CONTROL	
	56601134	1	Borstelmotor met gearbox	
	56601537	1	Kogellager 6001	
	56384462	1	INTERFACE PANEL ASSY	
	56601183	1	CONTACTOR 24V - 100 AMP	
	56396268	1	Veerhouderring	
	56379139	1	TUBE PVC .750X30 E00521	
	7-82-00050	1	Schakelaar Stoel	
	56601488	1	Vac Motor	
	56601535	1	Bevestigingsstuk	
	56601076	1	SOLUTION TANK	
	56601495	1	Voorste stripbevestiging	
	56261265	1	TUBE E00521	
	56601489	1	FRONT STRAP WELDMENT	
	56601591	1	Bevestiging achterse strip	
	56601037	1	WELDT-SQUEEGEE MOUNT	
	56601060	1	STEERING WHEEL	
	56601593	1	Achterste stripbevestiging	
	56114185	1	Dichting vuilwatertank	
	56315061	1	Borstelmotor cyl	
	56601534	1	CARBON BRUSH	
	56601096	1	KIT INTERFACE PANEL	
	56601536	1	Motorwaaier	
	56601508	1	PLASTIC COVER	
	56601136	1	Zuigslang BR 755/855	
	56601050	1	Tractiemotor wiel	
	56510442	1	Dop van de Tank	
	56409485	1	CABLE ASSY.1 X 15.00	
	56382693	1	Loopwiel BR non-marking incl. lagers	
	56601172	1	Verbinding ASM	
	56601594	1	Solution Filter Kit	
	56009062	1	Scr Pan Phil THD Form 1/4 20 x .5	
00	56344172	1	Waterdrukpijp met Elbow	
00	56382739	1	Zuigstripset 34 inch rood	
00	56601449	1	Squeegee assembly	
00	56115344	1	IDLER END ASSY	
00	56412179	1	Contactoer 24 Vdc	
00	56112553	1	TUYAU	
00	56382740	1	Zuigstripset 34 inch PU	



Pos.	Artikelnummer	Hoeveelheid	Omschrijving	Notes
0	56601082	1	EDS kit onboard chemical	
1	56002539	2	SCR PAN PHIL TD FORM 6-32 X.31	
2	56003699	3	BUSHING 1/4 ID SNUB	
[3]	56040982	1	INSTRUCTION SHEET	[1]
4	56314942	1	Slang chemiebestendig	
5	56314991	1	SLANG CHEMI RASTANT 14	
6	56315241	1	Pomp	
7	9100001817	1	CAP PLASTIC F CHEMICAL TANK SIP	
8	56315523	1	Kapje dry break, 1/8	
9	56315527	1	Dry Break	
10	56601306	2	Decal BR755 Ecoflex	
11	56601308	2	DECAL BR855 ECOFLEX	
12	56601514	1	FERRITE BEAD	
13	56601544	1	Chemi Tank	
14	56016331	1	DECAL CHEMICAL RATIO	

Part Notes:

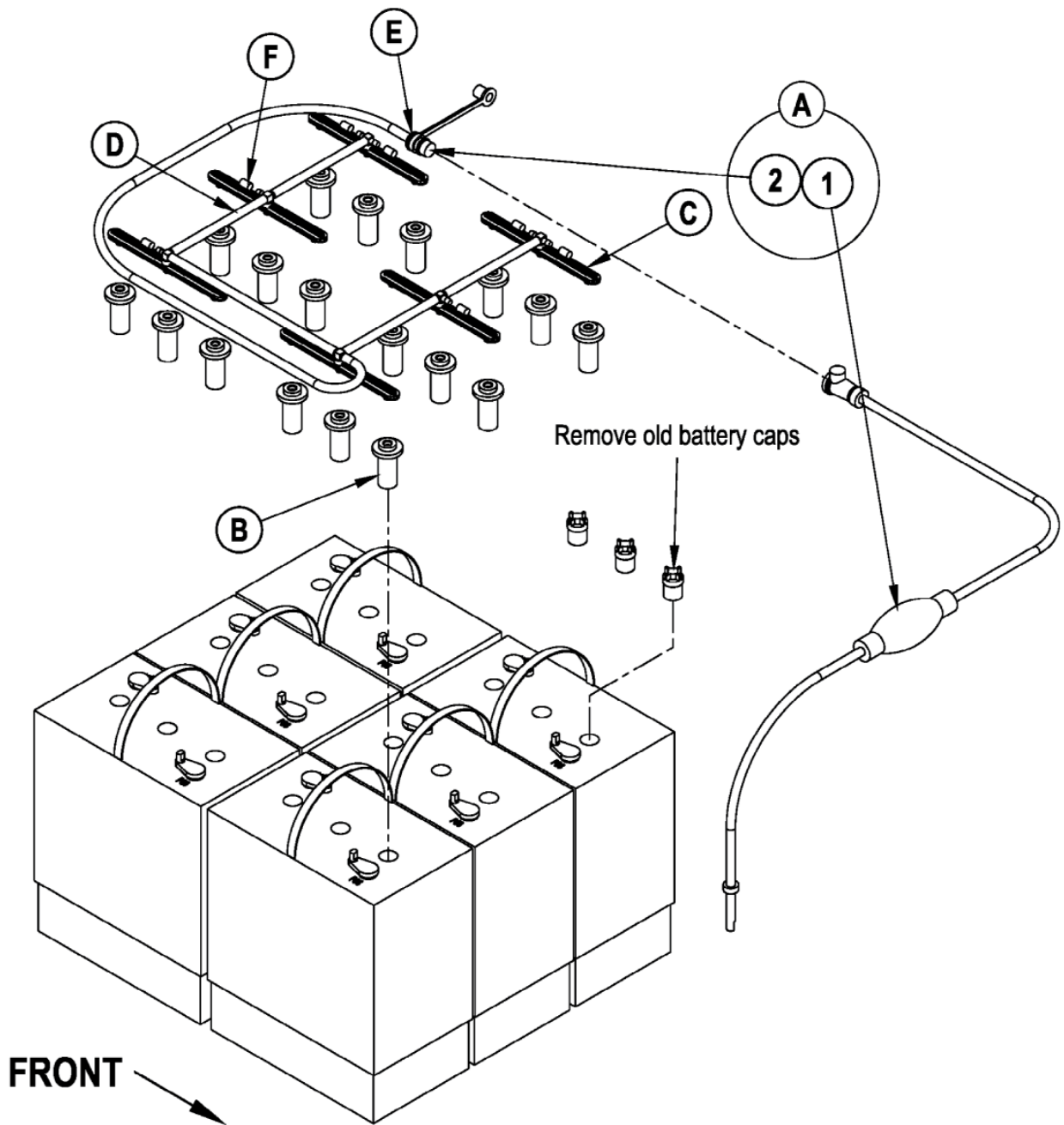
[1] - PRINT FROM HOMEPAGE



Pos.	Artikelnummer	Hoeveelheid	Omschrijving	Notes
00	56422162	1	Veiligheidsriem kit	
01	56003179	2	Hex THD/HD M8-1.25x20	
02	56314962	1	SEAT BELT KIT	[1]
03A	56422160	1	BRACKET SEAT BELT	[2]
03B	56422160	1	BRACKET SEAT BELT	[3]

Part Notes:

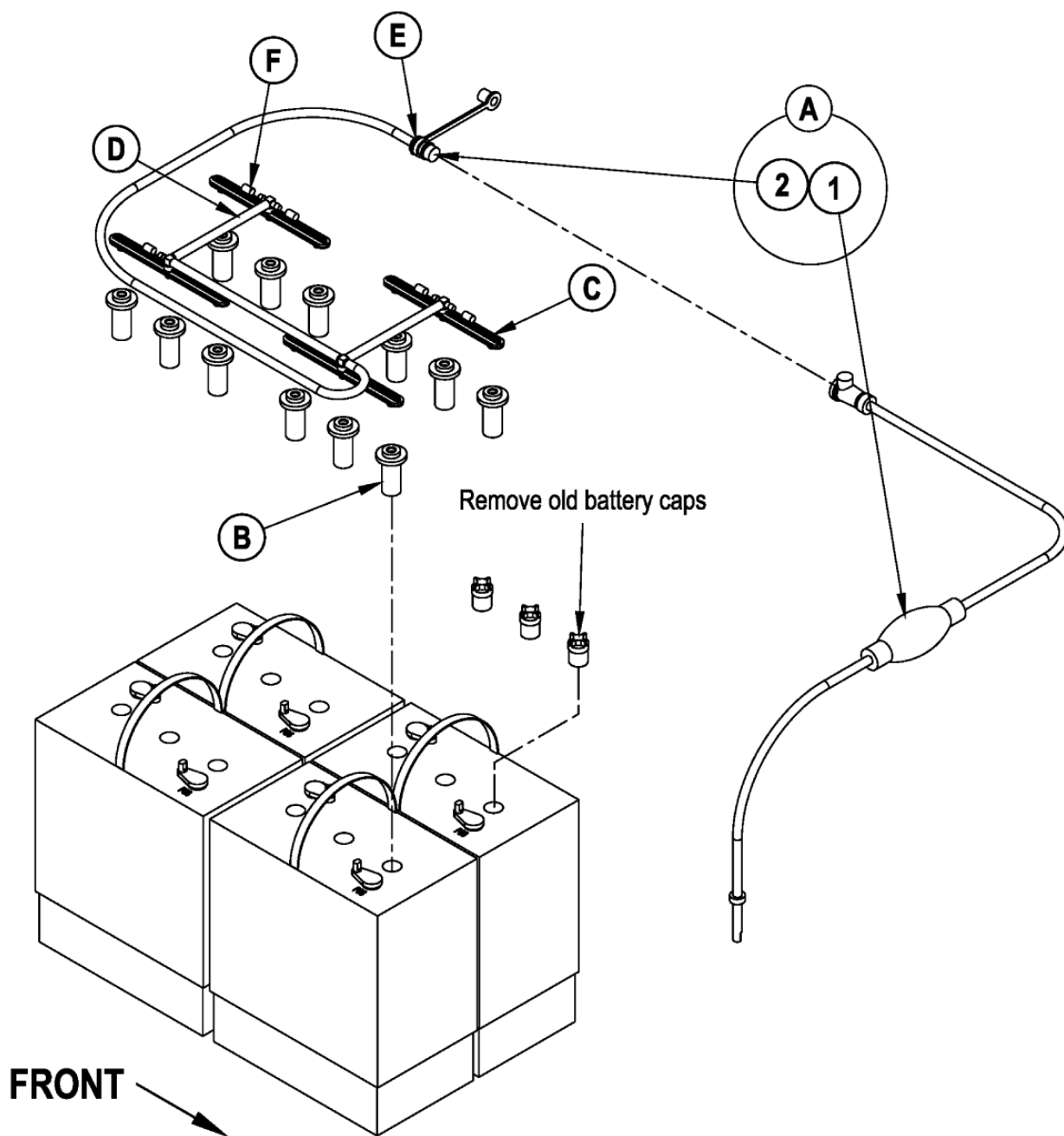
- [1] - INCLUDES HARDWARE
- [2] - FOR 56314312
- [3] - FOR 56422162



Pos.	Artikelnummer	Hoeveelheid	Omschrijving	Notes
	56601527	1	KIT BATTERY WATERING	[1]
	56314981	1	KIT BATTERY WATERING	
01	56314978	1	WATER PUMP	
02	56601525	1	MANIFOLD ASSEMBLY	
02	56314979	1	MANIFOLDS BATTERY WATERING	
0A	56314981	1	KIT BATTERY WATERING	[2]
0B	56601526	1	SYSTEM BATTERY WATERING	[3]

Part Notes:

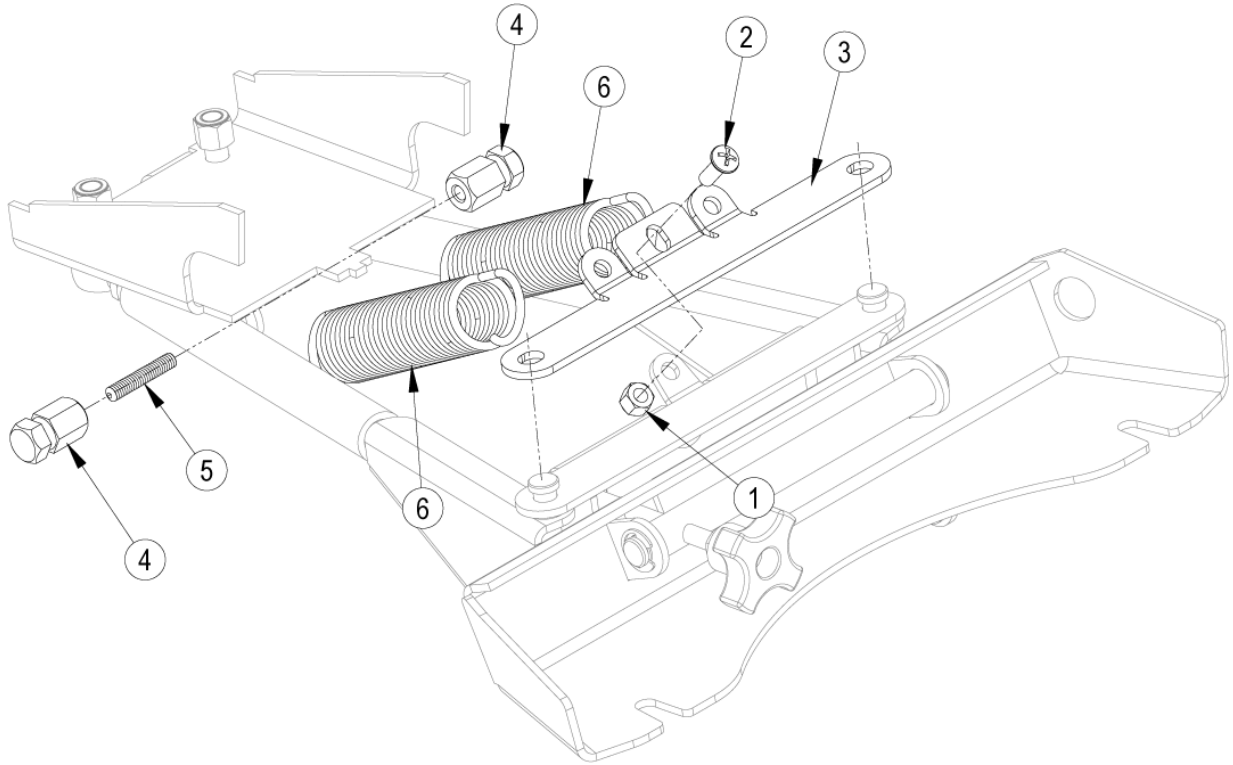
- [1] - NOT FOR SALE VIA EDC
- [2] - FOR 56314981
- [3] - FOR 56601527



Pos.	Artikelnummer	Hoeveelheid	Omschrijving	Notes
	56601527	1	KIT BATTERY WATERING	[1]
	56314981	1	KIT BATTERY WATERING	
01	56314978	1	WATER PUMP	
02	56601525	1	MANIFOLD ASSEMBLY	
02	56314979	1	MANIFOLDS BATTERY WATERING	
0A	56314974	1	SYSTEM BATTERY WATERING	[2]
0B	56601526	1	SYSTEM BATTERY WATERING	[3]

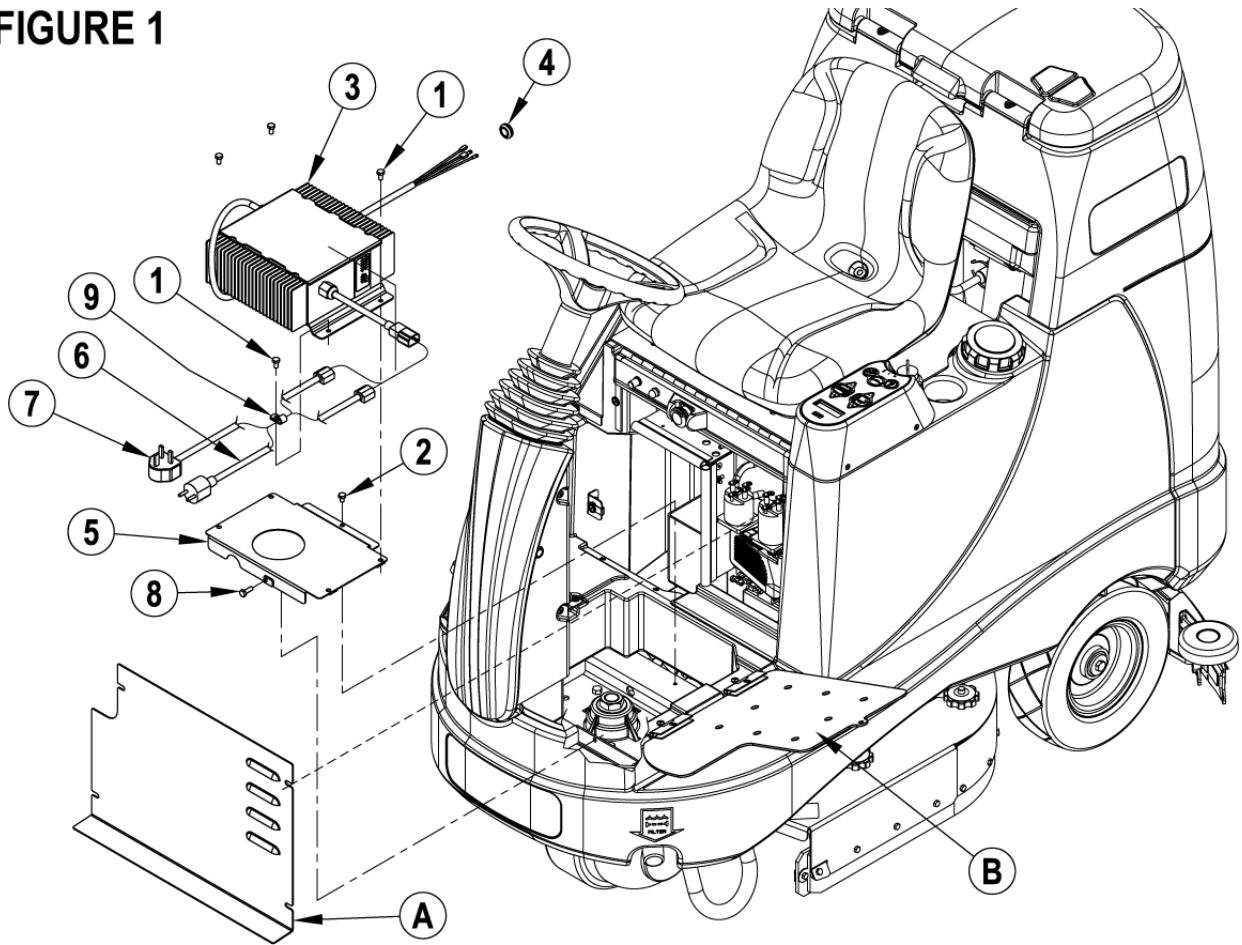
Part Notes:

- [1] - NOT FOR SALE VIA EDC
- [2] - FOR 56314981
NON-SALEABLE USE 56314981
- [3] - FOR 56601527

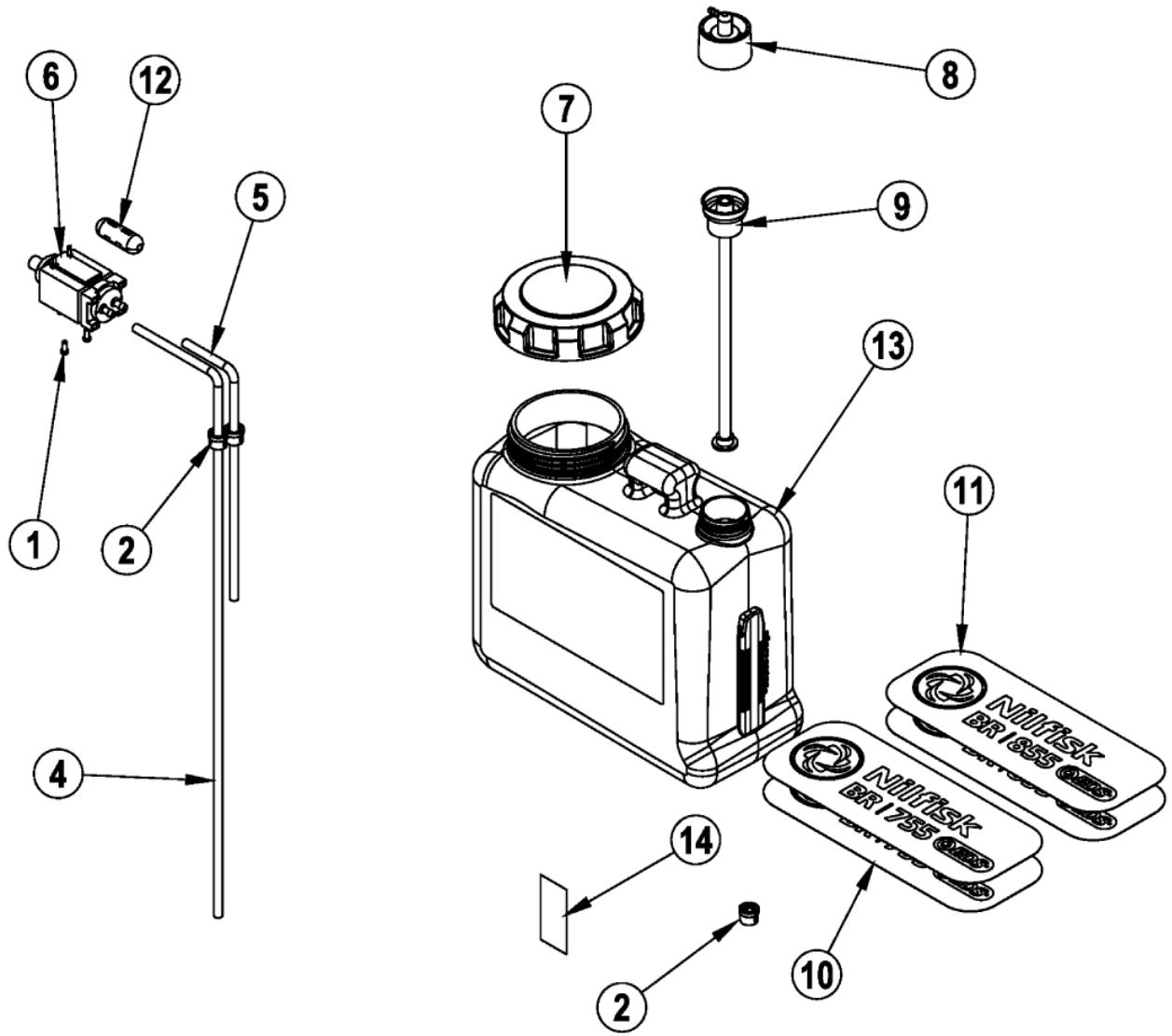


Pos.	Artikelnummer	Hoeveelheid	Omschrijving	Notes
	56382635	1	ZUIGMOND VEERKIT	
01	56002491	1	Moer	
02	56002957	1	Scr pan hil ss 1/4-20	
03	56382623	1	Zuigmondhouder beugel	
04	56382624	2	NUT-SPRING	
05	56382637	1	ROD-THREADED .25 X 1.25	
06	56412216	2	Spring extension	

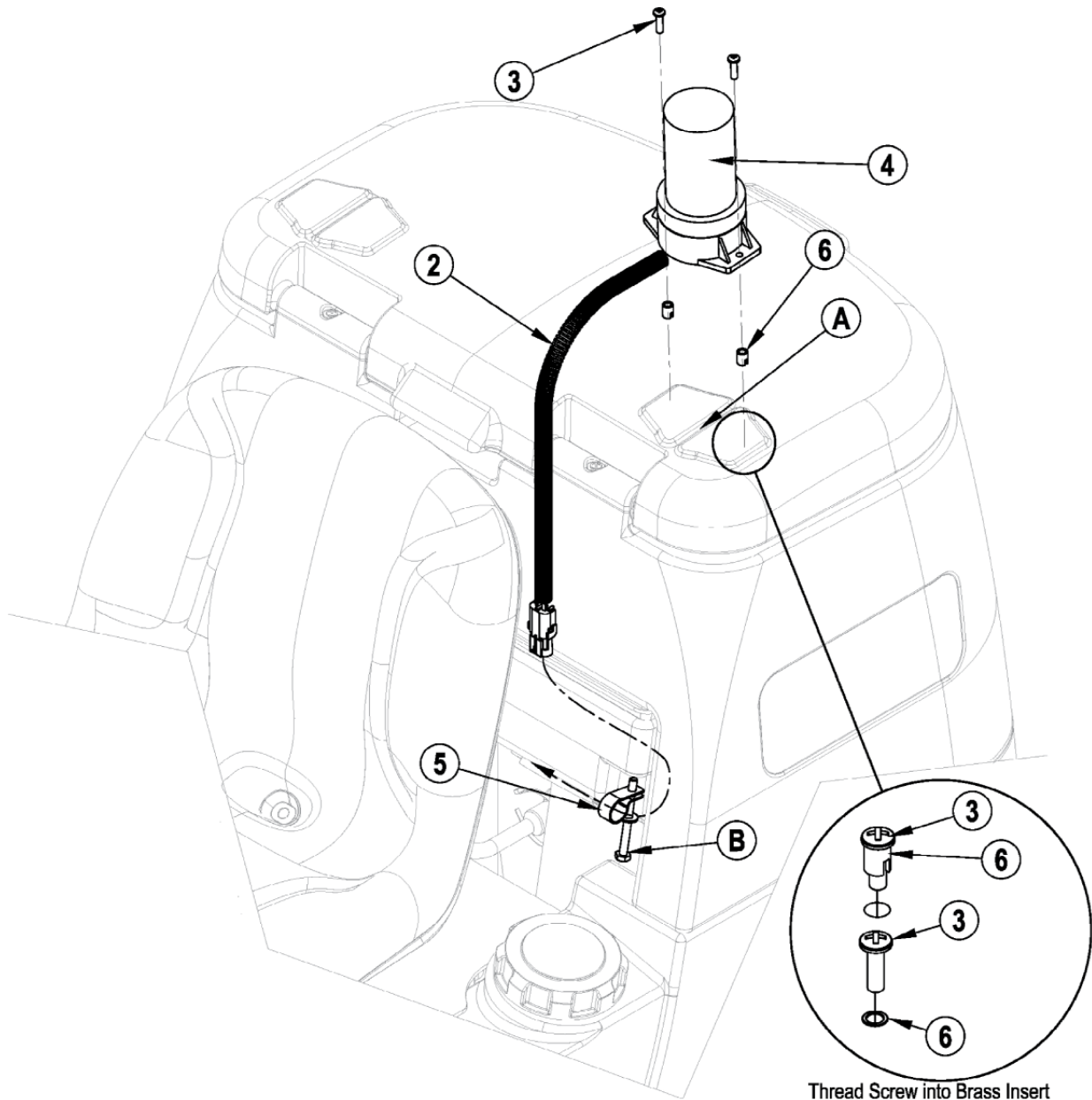
FIGURE 1



Pos.	Artikelnummer	Hoeveelheid	Omschrijving	Notes
	56601080	1	Inbouwlader kit	
01	56001854	4	SCR HEX 1/4-20 X .50	
02	56009019	1	SCHROEF	
03	56315124	1	Ingebouwde Lader 24V	
04	56157376	1	GROMMET 1 OD X 9/16 ID X 5/	
05	56601417	1	CHARGER MOUNT BRACKET	
06	56383388	1	CORD-CHARGER EUROPE	
07	56383389	1	CORD-CHARGER UK	
08	56001836	1	Schroef	
09	56172017	1	P-CLIP E00129	

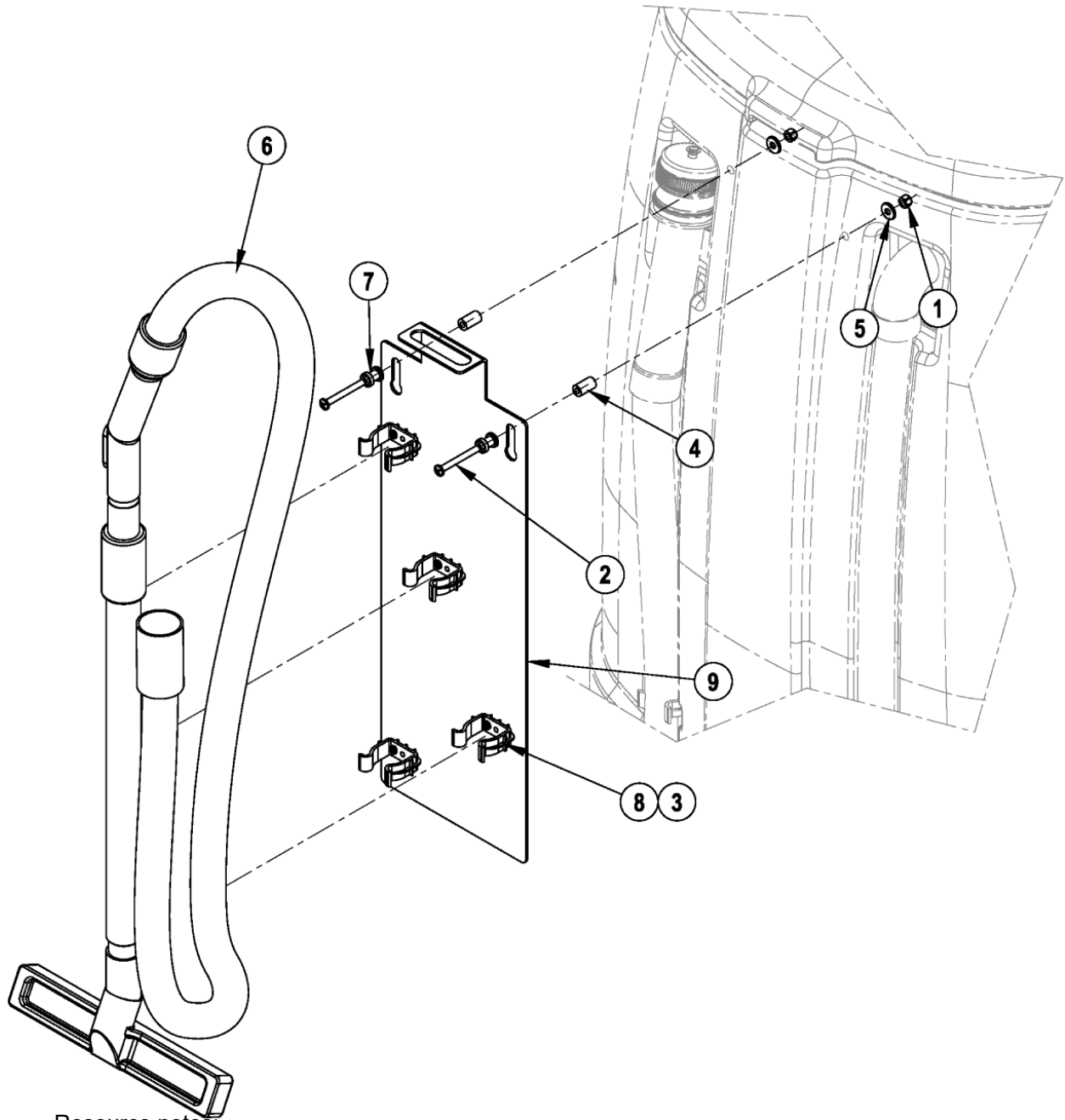


Pos.	Artikelnummer	Hoeveelheid	Omschrijving	Notes
	56601082	1	EDS kit onboard chemical	
01	56002539	2	SCR PAN PHIL TD FORM 6-32 X.31	
02	56003699	3	BUSHING 1/4 ID SNUB	
04	56314942	1	Slang chemiebestendig	
05	56314991	1	SLANG CHEMI RASTANT 14	
06	56315241	1	Pomp	
07	9100001817	1	CAP PLASTIC F CHEMICAL TANK SIP	
08	56315523	1	Kapje dry break, 1/8	
09	56315527	1	Dry Break	
10	56601306	2	Decal BR755 Ecoflex	
11	56601308	2	DECAL BR855 ECOFLEX	
12	56601514	1	FERRITE BEAD	
13	56601544	1	Chemi Tank	
14	56016331	1	DECAL CHEMICAL RATIO	



Thread Screw into Brass Insert
and then thread the Insert into the
tank lid until flush. Remove the Screw.

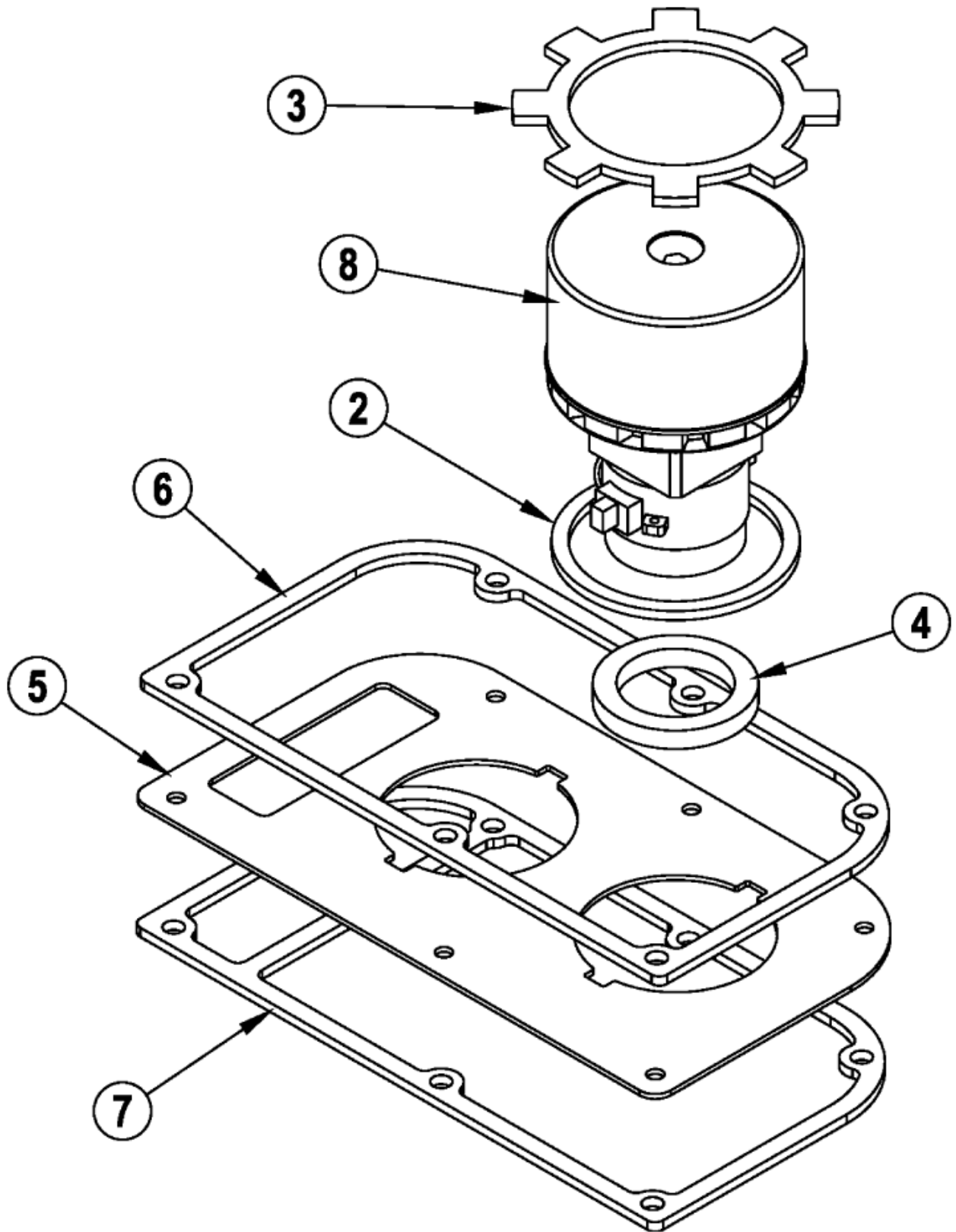
Pos.	Artikelnummer	Hoeveelheid	Omschrijving	Notes
	56601085	1	Zwaailicht kit	
02	56459883	1	CONDUIT	
03	56002896	2	Schroef	
04	56307166	1	BEACON ASSEMBLY	
05	56486112	1	STEUN	
06	56249946	2	INSERT BRASS FL150S	



Resource notes:

NOTE: Items (3, 8 & 9) are preassembled.

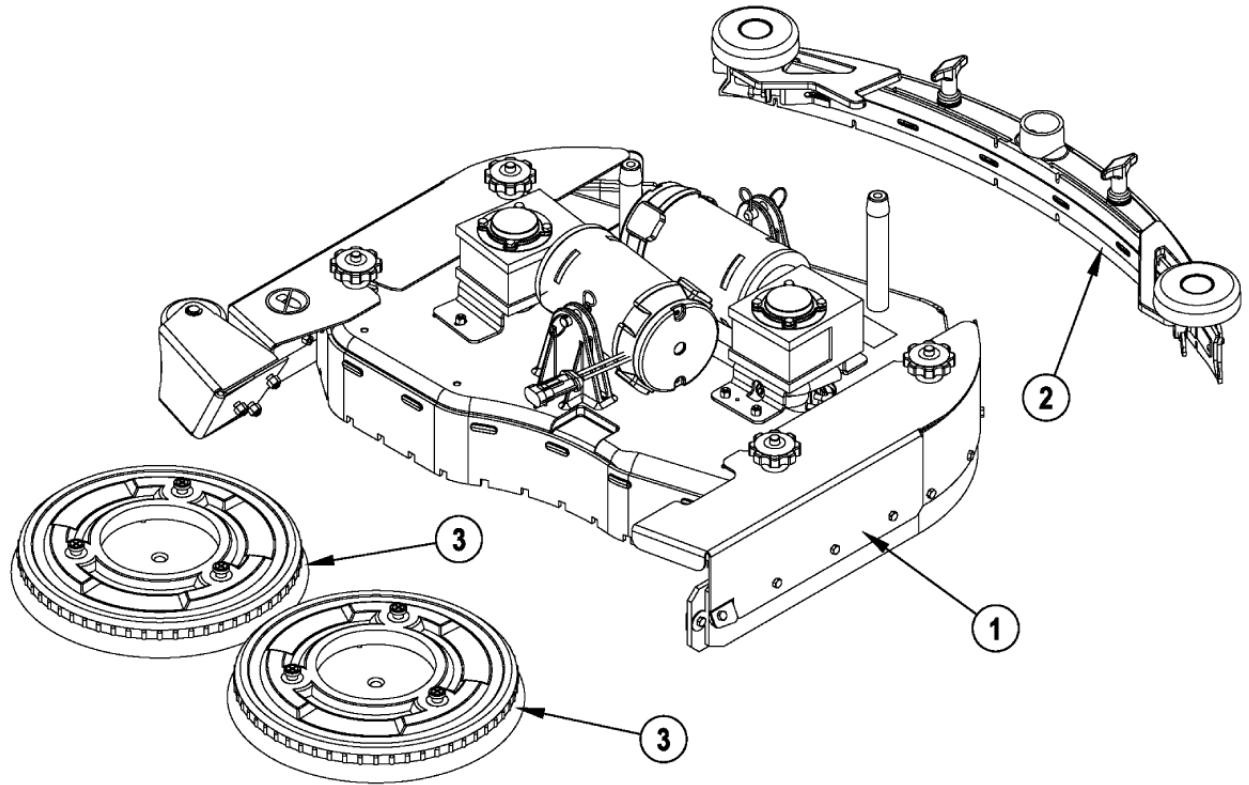
Pos.	Artikelnummer	Hoeveelheid	Omschrijving	Notes
	56601087	1	Zuigset met wandhouder	
1	56002708	2	Borgmoer nylon	
2	56002788	2	Scr pan Phil 1/4 20 x 2.25	
3	56009029	8	SCR PANPHIL THD FORM 10-24X.50	
4	56052237	2	SPACER PHEN--.250X.500X.875	
5	56201047	2	WSH SEALINE SS 5/16	
6	56315309	1	SCRUB/VAC WAND & HOSE	
7	56315311	2	SPACER STEPPED	
8	56407361	4	Klem plastic	
9	56601458	1	BRACKET WAND KIT	



Pos.	Artikelnummer	Hoeveelheid	Omschrijving	Notes
0	56601090	1	Dual vacuum kit	
2	56212143	2	Gasket vacuum duct	
3	56264103	1	Pakking zuigmotor	
4	56314760	1	Pakking zuigmotor	
5	56601122	1	PLATE VAC	
6	56601126	1	Dichting uitlaat	
7	56601127	1	Pakking VAC	
8	56601488	1	Vac Motor	[1]

Part Notes:

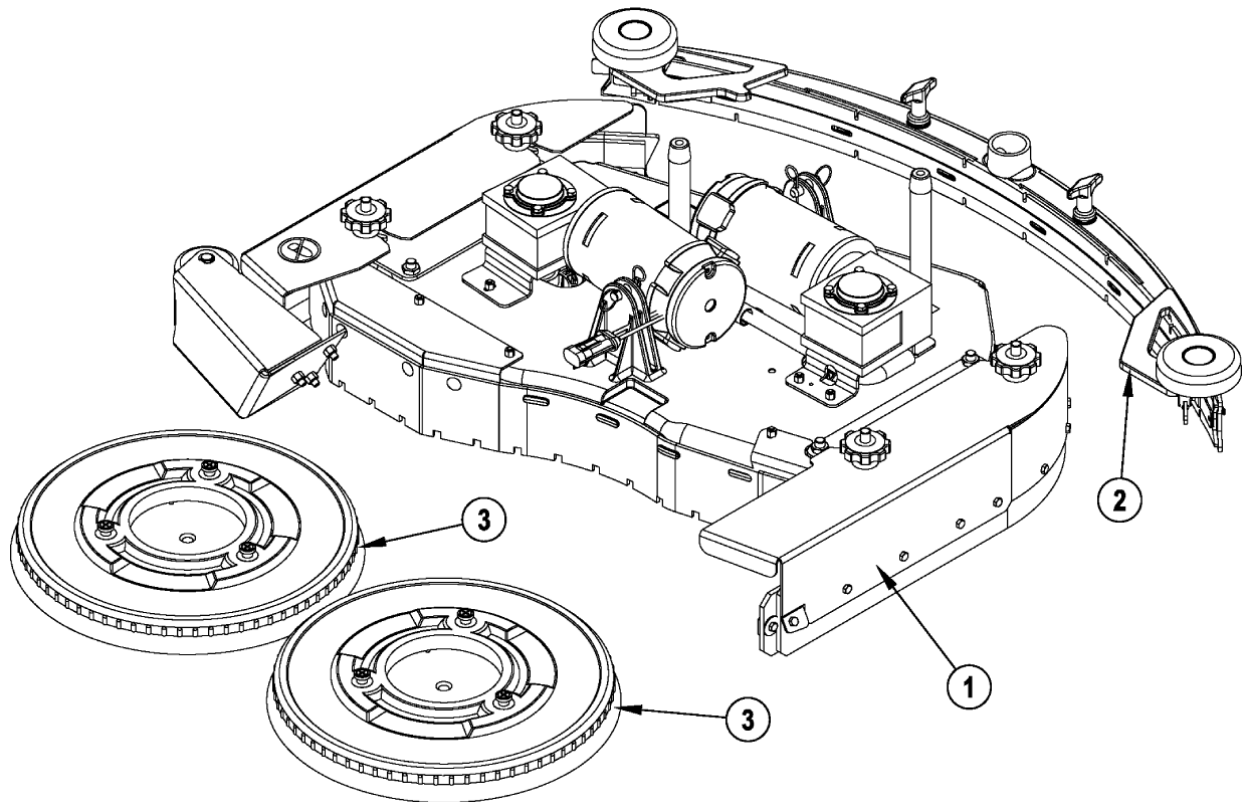
[1] - 56601090



Pos.	Artikelnummer	Hoeveelheid	Omschrijving	Notes
	56601700	1	DECK KIT 28-INCH EU	
01		1	28" DISK DECK SYSTEM - NOT AVAILABLE	[1]
02	56601449	1	Squeegee assembly	
03	56505800	2	Padhouder 14 inch	

Part Notes:

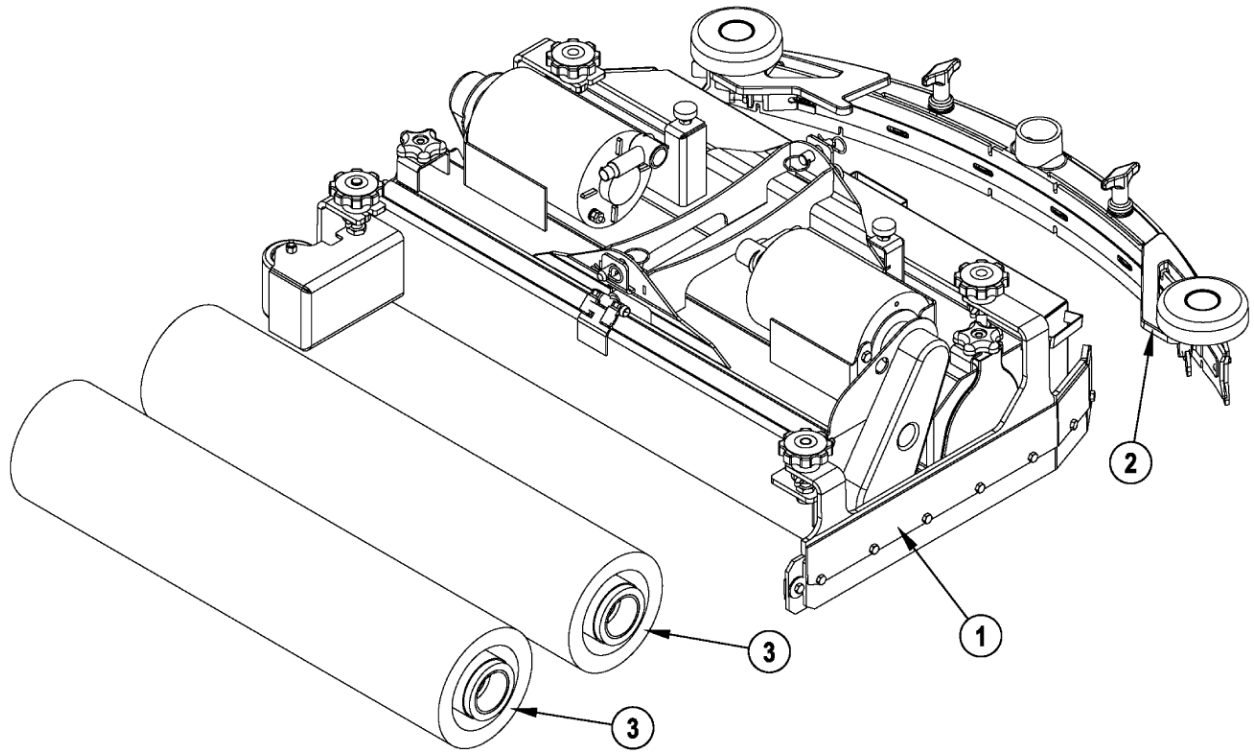
[1] - 28" DISK DECK SYSTEM - NOT AVAILABLE



Pos.	Artikelnummer	Hoeveelheid	Omschrijving	Notes
00	56601701	1	DECK KIT 34-INCH EU	
01		1	34" DISK DECK SYSTEM - NOT AVAILABLE	[1]
02	56601454	1	Zuigmond assy BR 855	[2]
03	56505780	2	Padhouder 17 inch	

Part Notes:

- [1] - 34" DISK DECK SYSTEM - NOT AVAILABLE
- [2] - 56601547



Pos.	Artikelnummer	Hoeveelheid	Omschrijving	Notes
00	56601756	1	KIT-28 CYL DECK ASSY-EU	
01		1	28" CYLINDRICAL DECK SYSTEM - NOT AVAILABLE	[1]
02	56601449	1	Squeegee assembly	
03	56412046	2	Borstel 28 inch PPL rood	

Part Notes:

[1] - 28" CYLINDRICAL DECK SYSTEM - NOT AVAILABLE

