

# PARTS LIST

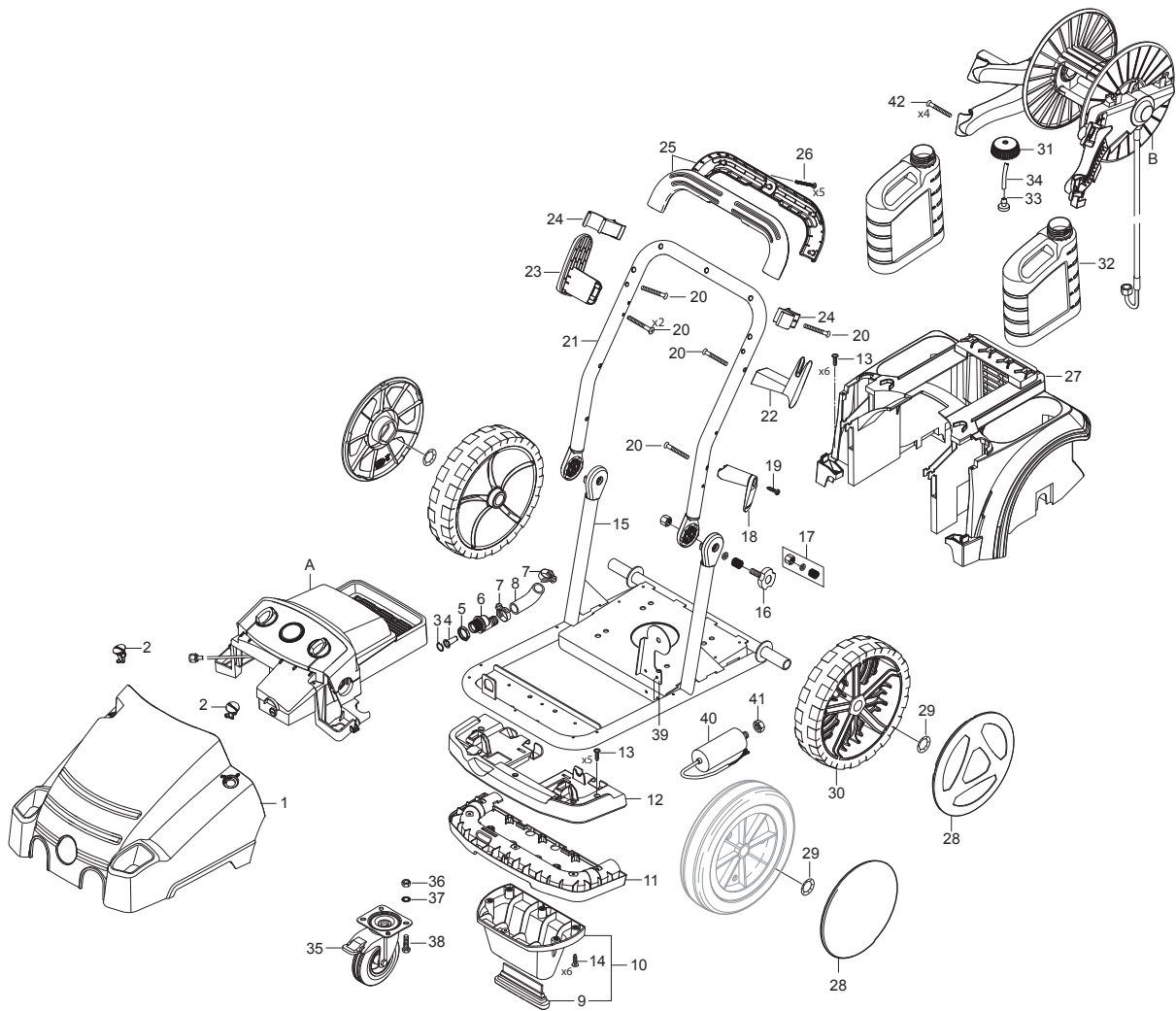


2021.01.11

# TABLE OF CONTENTS

---

|                               |    |
|-------------------------------|----|
| Overview .....                | 1  |
| Hose reel .....               | 4  |
| Electric box .....            | 6  |
| Motor .....                   | 9  |
| Cylinder block .....          | 12 |
| Water flow regulation .....   | 14 |
| Outlet fitting .....          | 16 |
| Default accessories .....     | 18 |
| Recommended spare parts ..... | 20 |

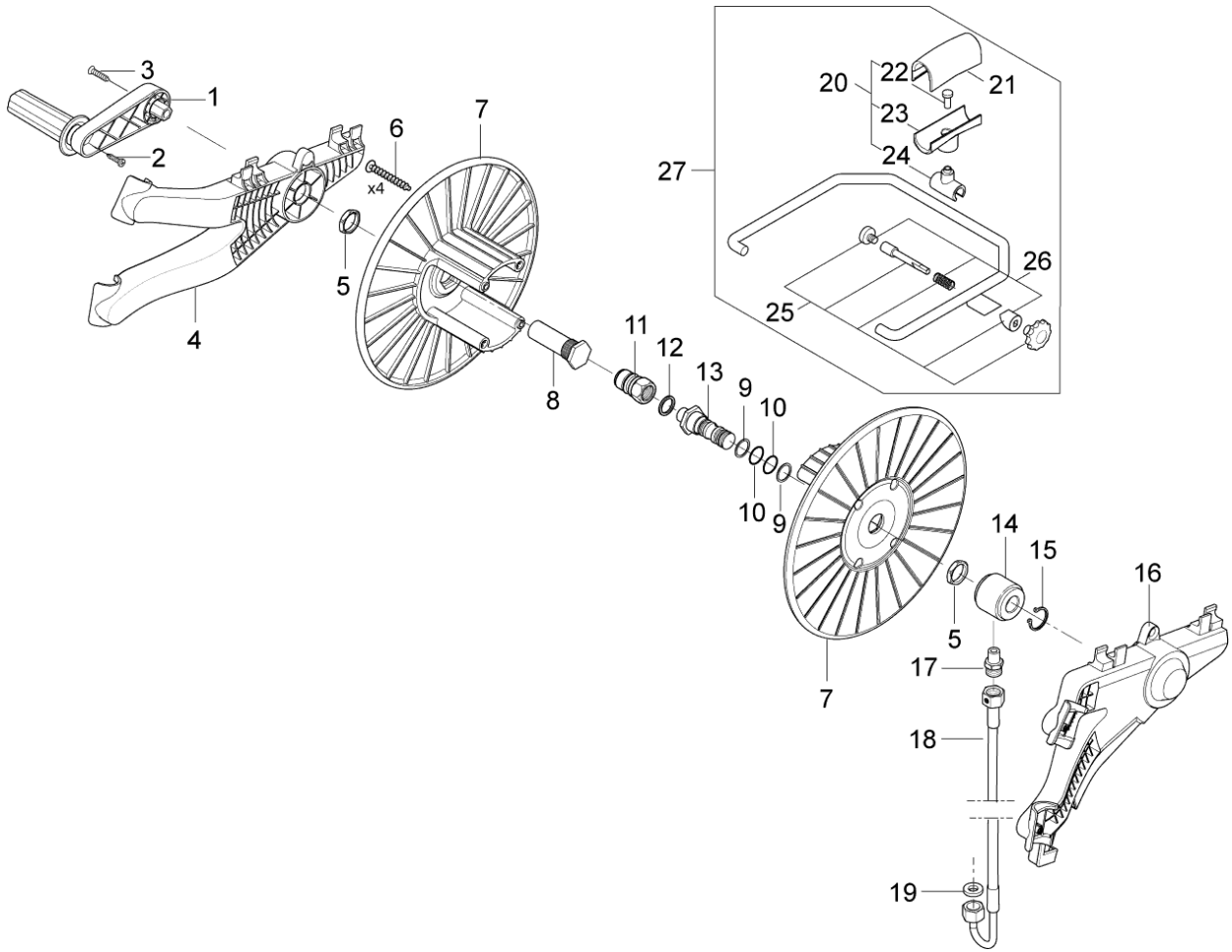


| Pos. | Artikelnummer | Hoeveelheid | Omschrijving                          | Notes |
|------|---------------|-------------|---------------------------------------|-------|
| A    |               | 1           | El-box complete                       | [1]   |
| B    |               | 1           | Hose reel complete                    | [2]   |
| 1    | 107141603     | 1           | Motorkap NILFISK MC 7P                |       |
| 1    | 107140960     | 1           | CABINET FRONT NA POSEIDON 7 UNITOR    |       |
| 2    | 301001261     | 2           | Locking bolt                          |       |
| 3    | 107141667     | 1           | Sluitring                             |       |
| 4    | 101117926     | 1           | Filter                                |       |
| 5    | 1800341       | 1           | MOER 3/4 INCH RG                      |       |
| 6    | 107141669     | 1           | WATER INLET PIPE C3                   |       |
| 7    | 107141707     | 2           | Slangklem 20-32MM SS                  | [3]   |
| 7    | 23221         | 2           | HOSE CLAMP 20-32                      |       |
| 8    | 107141671     | 1           | RUBBER ELBOW C3                       |       |
| 9    | 107141615     | 1           | RUBBER FOOT                           |       |
| 10   | 101118100     | 1           | FRONT FOOT FOR POSEIDON KIT           |       |
| 11   | 107141617     | 1           | BUMPER BOTTOM                         |       |
| 12   | 107141618     | 1           | BUMPER TOP                            |       |
| 13   | 107146528     | 5           | SCREW M5X12 ISO 14583-A2 TORX         |       |
| 14   | 107141838     | 6           | SCREW K50X18 WN1451 BLACK TORX20      |       |
| 15   | 107141622     | 1           | FRAME STAINLESS STEEL                 |       |
| 15   | 107141621     | 1           | FRAME NA6/C3                          |       |
| 16   | 107141672     | 2           | GRIB FOR FOLDABLE HANDLE              |       |
| 17   | 101118104     | 2           | SPRING AND LOCK NUT KIT               |       |
| 18   | 107141625     | 1           | Kabelhaak Zwart                       |       |
| 19   | 107141838     | 1           | SCREW K50X18 WN1451 BLACK TORX20      |       |
| 20   | 107141627     | 10          | SCREW K50X40 T20                      |       |
| 21   | 107141623     | 1           | FRAME HANDLE                          |       |
| 21   | 107141624     | 1           | FRAME HANDLE STAINLESS STEEL          | [3]   |
| 22   | 107141632     | 1           | Kabelhaak                             |       |
| 23   | 107141629     | 1           | HOSE HOOK                             |       |
| 24   | 107141630     | 1           | Lanshouder montage aan frame          |       |
| 25   | 101118101     | 1           | HANDLE KIT                            |       |
| 26   | 909100148     | 5           | Screw K40x30 WN 1452                  |       |
| 27   | 107141634     | 1           | REAR END                              |       |
| 28   | 107145780     | 2           | WHEEL CAP FOR WHEEL Ø300X65 - NILFISK | [4]   |
| 28   | 107145782     | 2           | WHEEL CAP FOR WHEEL Ø300X65 - UNITOR  | [4]   |
| 28   | 301001077     | 2           | Wielkap                               | [5]   |
| 28   | 107140961     | 2           | WHEEL CAP D300 UNITOR                 | [4]   |
| 29   | 107145570     | 2           | CLAMPING RING D25XD42X3               | [3]   |
| 29   | 46363         | 2           | Klemring                              |       |
| 30   | 107145637     | 2           | WHEEL D300X65                         | [4]   |
| 30   | 2010908       | 2           | wiel 03KR                             | [3]   |
| 30   | 6184074       | 2           | Wiel                                  |       |
| 31   | 107141664     | 2           | Top voor zeeptank                     |       |
| 32   | 107141635     | 2           | Reinigingsmiddeltank 2,5 l            |       |
| 33   | 6400240       | 1           | Chemicalidnfilter                     |       |
| 34   | 106408243     | 1           | Doorzichte slang 1/4-5 m              |       |
| 35   | 107141608     | 1           | WHEEL W. BRAKE D125 FOOD              | [3]   |
| 35   | 107141607     | 1           | WHEEL W. BRAKE D125                   |       |
| 36   | 1800515       | 4           | Moer M8 (4100190)                     |       |
| 36   | 1809920       | 4           | NUT M8 A2/PA ISO10511                 | [3]   |
| 37   | 1800796       | 8           | Schijf                                |       |
| 37   | 1802917       | 8           | Schijf                                | [3]   |
| 38   | 2753          | 4           | Schroef M8x20                         |       |
| 38   | 107140930     | 4           | SCREW M8X20 DIN933 SS                 | [3]   |
| 39   | 107141611     | 1           | PLATE FOR CAPACITOR                   |       |
| 40   | 107140974     | 1           | CAPACITOR 160UF 400/450V              |       |
| 41   | 2761          | 1           | HEXAGON NUT M12                       | [6]   |
| 42   | 107141695     | 4           | SCREW K50X35 TORX 20 WN5452 BLACK     |       |

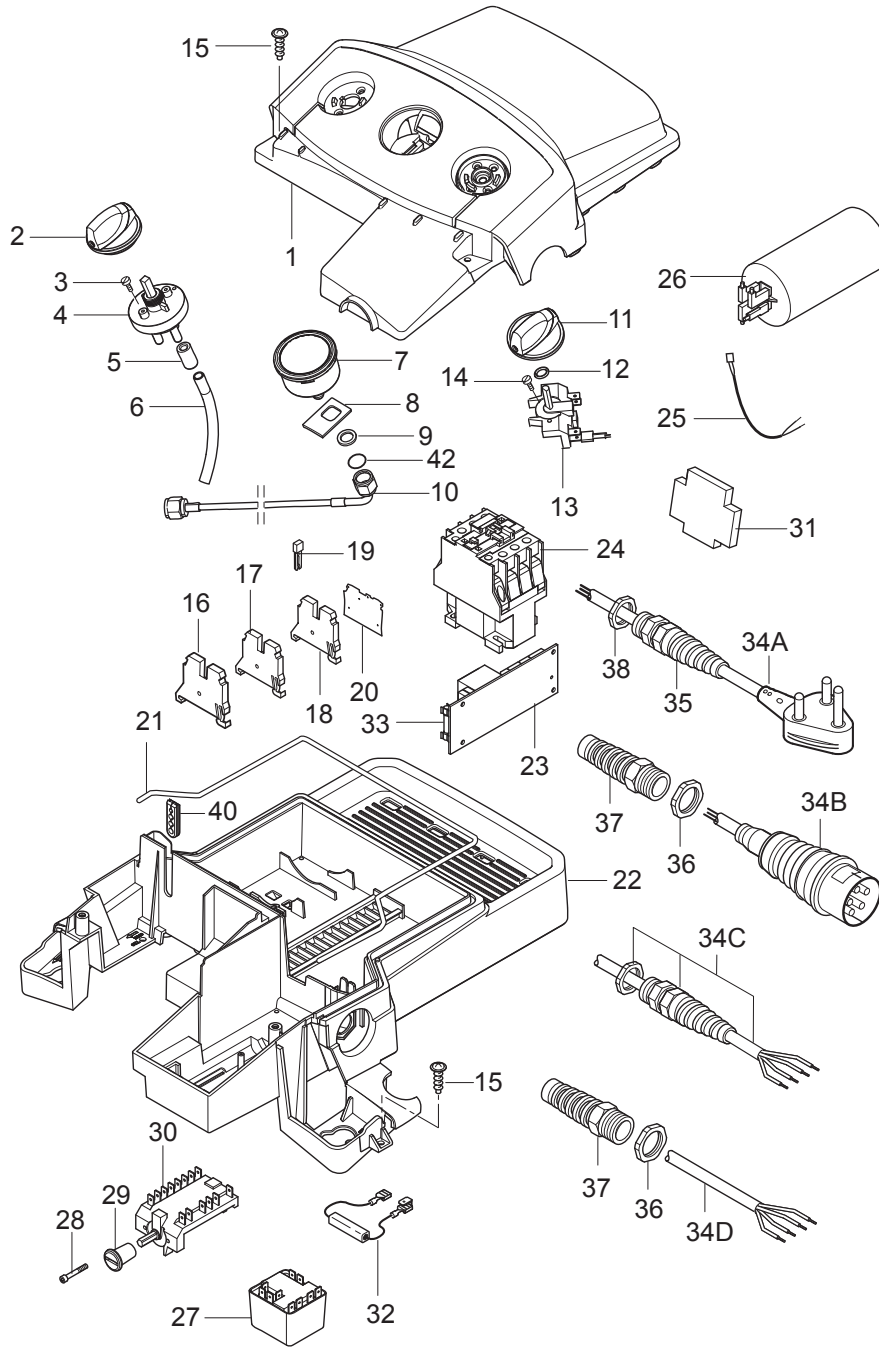
| Pos. | Artikelnummer | Hoeveelheid | Omschrijving                  | Notes |
|------|---------------|-------------|-------------------------------|-------|
| NS   | 107140982     | 1           | 10 PCS OF BOXES FOR PACKAGING |       |

Part Notes:

- [1] - See link Electric box
- [2] - See link Hose reel
- [3] - Food
- [4] - The new wheel and wheel cap is added from  
 Variant Ser. Nr. order nr.machine nr.  
 Nilfisk 3520151900645 - 1712947 - 107146806  
 Unitor 3520151901159 - 1711044 - 107146807
- [5] - STOCK COVERS GUARANTEE  
  
 The new wheel and wheel cap is added from  
 Variant Ser. Nr. order nr.machine nr.  
 Nilfisk 3520151900645 - 1712947 - 107146806  
 Unitor 3520151901159 - 1711044 - 107146807
- [6] - STOCK COVERS GUARANTEE



| Pos. | Artikelnummer | Hoeveelheid | Omschrijving                        | Notes |
|------|---------------|-------------|-------------------------------------|-------|
| 0    | 106403143     | 1           | Kit slanghaspel                     |       |
| 1    | 101118102     | 1           | SLANGHASPEL HANDLE KIT              |       |
| 2    | 107141838     | 1           | SCREW K50X18 WN1451 BLACK TORX20    |       |
| 3    | 107141673     | 1           | SCREW M6X45 ISO 7380 BLACK TORX     |       |
| 4    | 107141674     | 1           | ADAPTOR RIGHT FOR HOSE REEL         |       |
| 5    | 62696         | 1           | Moer                                |       |
| 6    | 909100153     | 1           | Schroef 6x40                        |       |
| 7    | 301000775     | 1           | Hose Drum Section                   |       |
| 8    | 107141675     | 1           | As voor slanghaspel                 |       |
| 9    | 63792         | 2           | Klemring Haspel 30CA/Trit on        |       |
| 10   | 19620         | 2           | O-Ring 15.54x2.62 DIN 377           |       |
| 11   | 1600493       | 1           | Snelkoppeling mannelijk 3/8 inch    |       |
| 12   | 1801075       | 1           | Dichtingsring 3/8 inch              |       |
| 13   | 107141676     | 1           | DRAAISTEUN SCHROEF VOOR SLANGHASPEL |       |
| 14   | 301000977     | 1           | Lagerbus                            |       |
| 15   | 1802057       | 1           | Zeegerring 20x1,2                   |       |
| 16   | 107141677     | 1           | ADAPTOR LEFT FOR HOSE REEL          |       |
| 17   | 54590         | 1           | Fitting                             |       |
| 18   | 107141678     | 1           | Verbindingsslang voor haspel        |       |
| 19   | 65466         | 1           | Pakking                             |       |
| 20   | 101118103     | 1           | Geleider hd slang kit haspel        |       |
| 21   | 301000674     | 1           | Slangring                           |       |
| 22   | 10028         | 1           | Schroef 50x14                       |       |
| 23   | 301000676     | 1           | Hose guide section lower            |       |
| 24   | 107141679     | 1           | HOSE GUIDE SLEEVE OPEN              |       |
| 25   | 101118106     | 1           | HOSE GUIDE BRAKE COMPLETE KIT       |       |
| 26   | 101118111     | 1           | HOSE GUIDE KIT                      |       |
| 27   | 101118105     | 1           | Slanggeleider compleet              |       |



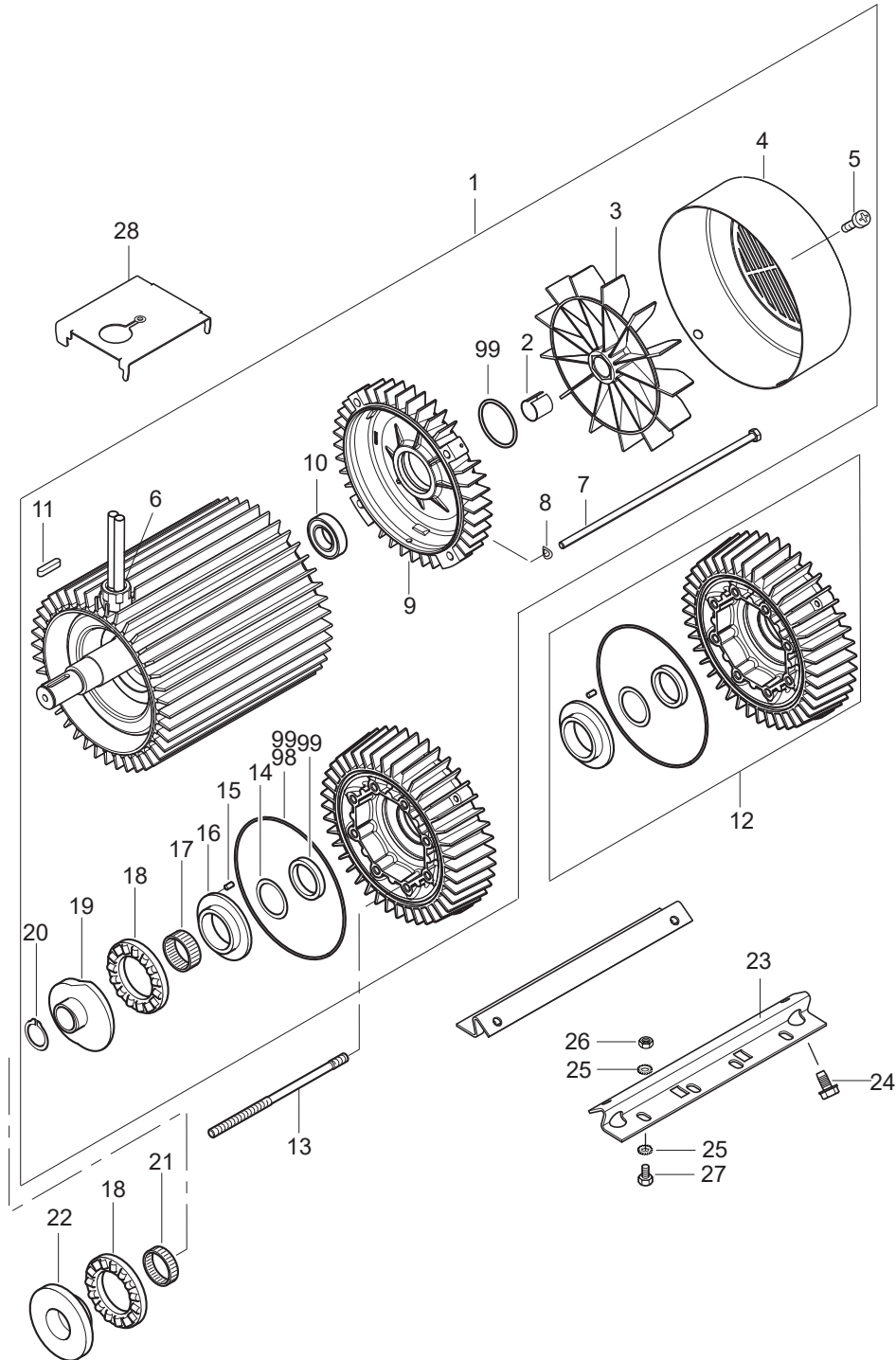


| Pos.  | Artikelnummer | Hoeveelheid | Omschrijving                             | Notes |
|-------|---------------|-------------|--|-------|
| 27+32 | 101118305     | 1           | START RELAY RVA4G0C KIT                  | [1]   |
| 27+32 | 101118143     | 1           | START RELAY KIT F. POSEIDON 5-6-7 1PH US | [1]   |
| 1     | 107141644     | 1           | E-BOX TOP F. 1-POS SWITCH AND DET. BLACK | [2]   |
| 1     | 107141645     | 1           | E-BOX TOP F. 2-POS SWITCH AND DET. BLACK | [3]   |
| 1     | 107141646     | 1           | E-BOX TOP F. 1-POS SWITCH-NO DET. BLACK  | [4]   |
| 2     | 909100214     | 1           | Draaiknop                                |       |
| 3     | 1814730       | 2           | Moer M4                                  |       |
| 4     | 301001000     | 1           | Doseerventiel                            |       |
| 5     | 301001906     | 1           | Sluiting                                 |       |
| 6     | 106408243     | 1           | Doorzichte slang 1/4-5 m                 |       |
| 7     | 107141648     | 1           | MANOMETER 0-300 BAR                      |       |
| 8     | 107141650     | 1           | PLATE FOR MANOMETER                      |       |
| 9     | 107141651     | 1           | O-RING M12 13X24X2.5 A2 DIN 125          |       |
| 10    | 107141652     | 1           | MANOMETER TUBE                           | [5]   |
| 10    | 107141653     | 1           | Buis manometer FA modellen               |       |
| 11    | 909100204     | 1           | Draaiknop                                |       |
| 12    | 9868          | 1           | O-Ring 10X2,5                            |       |
| 13    | 28877         | 1           | Schakelaar (SC)                          | [6]   |
| 13    | 301001058     | 1           | Schakelaar 10A                           | [7]   |
| 14    | 18274         | 1           | Schroef M4 X 12 DIN 963                  |       |
| 15    | 107141838     | 6           | SCREW K50X18 WN1451 BLACK TORX20         |       |
| 16    | 103821922     | 1           | Ens Stop                                 |       |
| 17    | 107141633     | 1           | TERMINAL BLOCK 4Q PE                     |       |
| 18    | 103821967     | 1           | WIRE TERMINAL WAGO281 800V 4MM2          |       |
| 19    | 103821969     | 1           | JUMPER                                   |       |
| 20    | 103821968     | 1           | END PLATE WAGO 4MM2                      |       |
| 21    | 101406054     | 1           | Spons Rubber O4 L 1 M                    |       |
| 22    | 107141654     | 1           | E-Box Bottom geboord /Kabel              |       |
| 22    | 107141655     | 1           | E-BOX BOTTOM DRILLED /SWITCH/            | [8]   |
| 22    | 107141665     | 1           | Electrische box                          |       |
| 22    | 107141706     | 1           | E-Box Bottom geboord Kabel en Schakelaar | [9]   |
| 23    | 107141666     | 1           | PCB POSEIDON 5-6-7                       |       |
| 24    | 103822303     | 1           | CONTACTOR CJX2-D18-V7 400                | [10]  |
| 24    | 103822304     | 1           | Contacto CJX2-D18 18A 230V 3P+NO         | [11]  |
| 24    | 103822314     | 1           | CONTACTOR CJX2-D32 32A 230V 3P+NO        | [12]  |
| 24    | 63915         | 1           | Schakelaar 100-C30KF10(38 04200          | [13]  |
| 25    | 107141796     | 1           | PCB WIRE FOR SUCTION MODE                | [14]  |
| 25    | 107141656     | 1           | PCB WIRE for B4                          |       |
| 26    | 107143182     | 1           | CAPACITOR 70UF 450/500V RP-3             | [15]  |
| 26    | 107143182     | 1           | CAPACITOR 70UF 450/500V RP-3             | [16]  |
| 27    | 107142761     | 1           | START RELAY RVA4G0C                      | [17]  |
| 27    | 107140968     | 1           | START RELAY RVAH4H0C                     | [18]  |
| 28    | 101117739     | 2           | SCREW HEX M4X22-8.8 A2K DIN912           |       |
| 29    | 64580         | 1           | Draaiknop                                | [19]  |
| 30    | 301000293     | 1           | Draaischakelaar 16A                      |       |
| 31    | 64773         | 1           | Auxiliary contact                        |       |
| 32    | 107141730     | 1           | DISCHARGE RESISTOR 15KOHM/7W             | [1]   |
| 33    | 301000263     | 1           | Zekering 0,63A 500V traag                |       |
| 34A   | 301000407     | 1           | POWER CORD SJOW AWG10/3X9.0              | [20]  |
| 34B   | 301000253     | 1           | Power Cord                               | [21]  |
| 34C   | 107141824     | 1           | POWER CORD VCT 4X5.5X9 JP                | [22]  |
| 34C   | 301001384     | 1           | POWER CORD VCT 4X3.5X10,8M W/O PLUG AEH  | [22]  |
| 34D   | 301000337     | 1           | POWER CORD H07RN-F 4G2.5                 | [23]  |
| 34D   | 107140962     | 1           | POWER CORD H07RN-F 4G1.5X9M WO/PLUG      | [24]  |
| 34D   | 301000834     | 1           | Stroomkabel H07RN-F4G11.5x6              | [25]  |
| 35    | 909100198     | 1           | Snoerbevestiging M25 X 1,5               |       |
| 36    | 909100020     | 1           | Hexagon Nut M25x1,5                      |       |
| 37    | 909100019     | 1           | Moer verzinkt M20x1,5                    |       |

| Pos. | Artikelnummer | Hoeveelheid | Omschrijving               | Notes |
|------|---------------|-------------|----------------------------|-------|
| 38   | 909100043     | 1           | Kabelschroeven W. Antibuc. |       |
| 40   | 107141663     | 1           | RUBBER GROMMET             |       |
| 42   | 31000508      | 1           | O-RING NBR                 |       |

## Part Notes:

- [1] - 230/1/50 UK, 220-240/1/60 US
- [2] - 1 pos. and detergent
- [3] - 2 pos. and detergent
- [4] - 1 pos. without detergent
- [5] - PA
- [6] - 2-POS.
- [7] - 1-POS.
- [8] - Star/triangle
- [9] - 220/440/3/60 (7-67 US)
- [10] - 400/3/50Hz
- [11] - 230/1/50Hz
- [12] - (220-240/1/60 US) (200/3/50-60Hz JP)
- [13] - 220/440/3/50/60Hz
- [14] - S1 to X8 – “suction mode wire”
- [15] - 5-52FA US
- [16] - 230/1/50 UK  
TSB-PPW-2018-003 MH\_MC change of start relay and run capacitor
- [17] - 230/1/50 UK
- [18] - 220-240/1/60 US
- [19] - TSB-PPW-2016-007 Rotary knob for Voltage selector switch 230V-400V must be sealed with lacquer  
DE TSB-PPW-2016-007 Drehknopf des Spannungsauswahlschalters 230V-400V muss mit Lack versiegelt werden
- [20] - STOCK COVERS GUARANTEE  
US
- [21] - 400/3/50 EU
- [22] - JP
- [23] - NO, EXP.
- [24] - UNITOR
- [25] - EU, 3ph

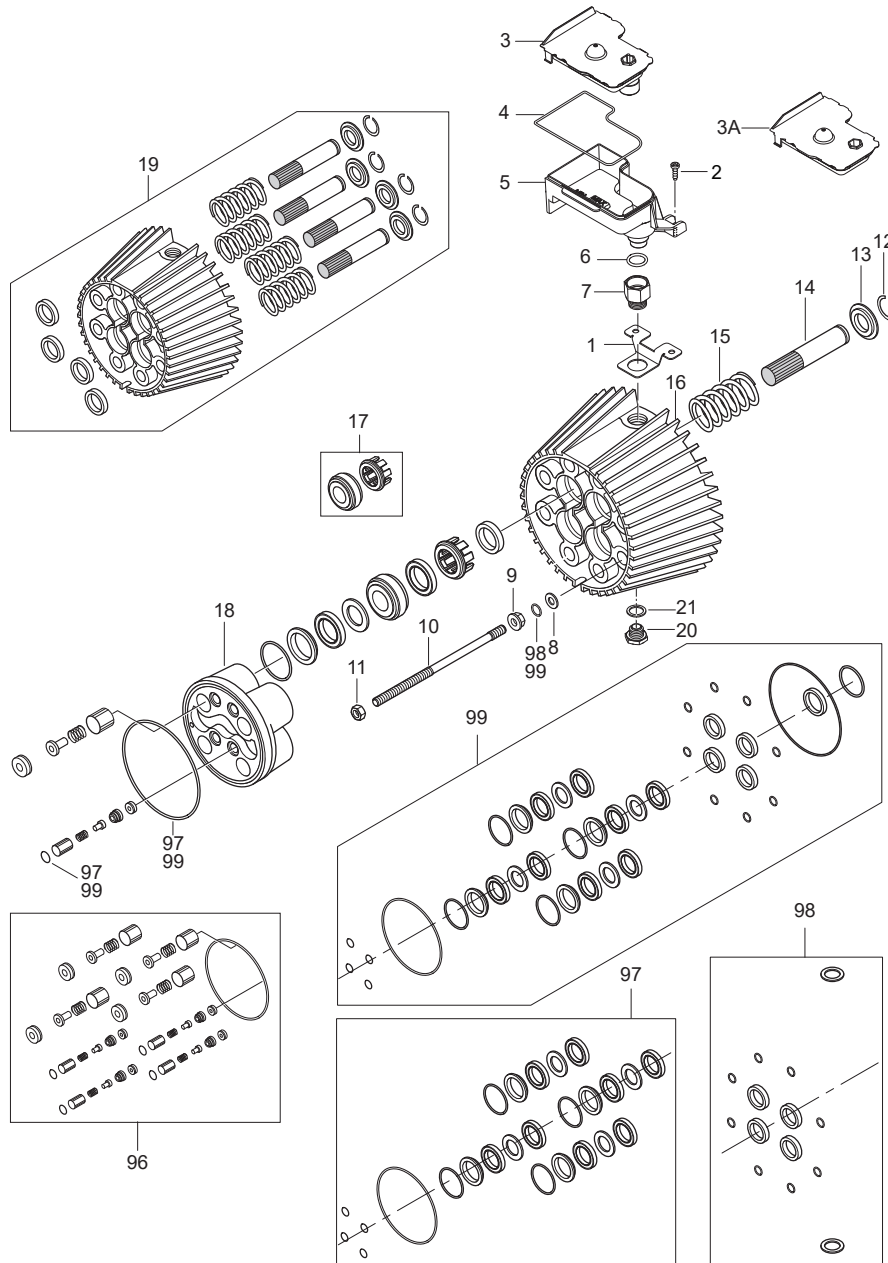


| Pos. | Artikelnummer | Hoeveelheid | Omschrijving                             | Notes |
|------|---------------|-------------|--|-------|
|      | 31001229      | 1           | OIL ISO 150 ALPHASYN-T 20L               |       |
| 00   | 5218433       | 1           | Pompolie 150 1 x 1Ltr. Alphasyn.         | [1]   |
| 1    | 107120753     | 1           | MOTOR 6.5KW 200 3 60                     | [2]   |
| 1    | 107120751     | 1           | Motor 6.5 KW                             | [3]   |
| 1    | 107120750     | 1           | Motor 6,5KW/400-415/230/ 3               | [4]   |
| 1    | 107120757     | 1           | MOTOR 5.0KW 208 230 1 60                 | [5]   |
| 1    | 107120752     | 1           | MOTOR 6.5KW 200 3 50                     | [6]   |
| 2    | 1802503       | 1           | Naaldlager 25 x 25                       |       |
| 3    | 6100605       | 1           | Ventilator                               | [7]   |
| 3    | 107142275     | 1           | FAN AND RETAINING RING                   | [8]   |
| 4    | 31001316      | 1           | COVER F. FAN                             | [7]   |
| 4    | 107142276     | 1           | COVER FOR FAN                            | [8]   |
| 5    | 101814693     | 2           | Schroef M4x8                             |       |
| 6    | 7302028       | 1           | Bush                                     |       |
| 7    | 6100712       | 1           | Stay bolt 306mm                          | [9]   |
| 7    | 31000493      | 4           | STAY BOLT 306 MM                         | [7]   |
| 8    | 1801182       | 4           | Keerring M8 (14649)                      |       |
| 9    | 107140617     | 1           | Lagerhuis                                | [10]  |
| 9    | 107142277     | 1           | REAR BEARING COVER                       | [8]   |
| 10   | 3200623       | 1           | N-lager                                  | [7]   |
| 10   | 31000149      | 1           | Kogellager 6306 2Z C3 150 GRADEN RF      | [8]   |
| 11   | 3200672       | 1           | Sleutel 6x6x32                           |       |
| 12   | 107140615     | 1           | FRONT BEARING COVER COMPLETE             |       |
| 13   | 6301368       | 8           | Draadeind                                |       |
| 14   | 6100995       | 1           | Schijf                                   |       |
| 15   | 6100996       | 1           | Pen                                      |       |
| 16   | 107120703     | 1           | Lagerschijf                              |       |
| 17   | 3200656       | 1           | Lager                                    |       |
| 18   | 3200615       | 2           | Lager                                    |       |
| 19   | 107120710     | 1           | Tuimelschijf 6                           | [11]  |
| 19   | 107120716     | 1           | Wobble disk 12                           | [12]  |
| 19   | 107120708     | 1           | Tuimelschijf 4                           | [13]  |
| 20   | 1802511       | 1           | Borgring                                 |       |
| 21   | 3200664       | 1           | Naaldlager                               |       |
| 22   | 107120704     | 1           | Lagerschijf                              | [14]  |
| 23   | 107142071     | 2           | MOTOR BRACKET C3 POSEIDON 7              |       |
| 24   | 107140908     | 4           | SPECIAL SCREW M10x20 F. C3 BRACKET SPARE |       |
| 25   | 10204         | 8           | SERRATED LOCK WASHER A10                 |       |
| 25   | 107140931     | 8           | TOOTHED WASHER M10 SS                    | [15]  |
| 26   | 1802966       | 4           | Nut Hex M10 A2 DIN 934                   | [15]  |
| 26   | 1800465       | 4           | Moer M10 (ook 4826)                      |       |
| 27   | 1801133       | 4           | SCREW M10X25 ISO4017 ZN                  |       |
| 27   | 24319         | 4           | Schroef                                  | [15]  |
| 28   | 107140942     | 1           | BRACKET /MOUSE/ POS. 7 SPARE PART        |       |
| 98   | 1119820       | 1           | Olieafdichtingset 03K/C3K                | [16]  |
| 99   | 1119570       | 1           | Reparatieset MPS/C3                      | [16]  |

## Part Notes:

- [1] - 1,1L required  
Oil Types Mobile Pressure Washers
- [2] - JP, 60Hz
- [3] - EXP., POSEIDON 7-67 FA / 195/1280 FA US
- [4] - EU
- [5] - US
- [6] - JP, 50Hz
- [7] - EME – has EME letter on the motor type plate
- [8] - - RF – has Nilfisk letter on the motor type plate

- [9] - STOCK COVERS GUARANTEE
  - RF – has Nilfisk letter on the motor type plate
- [10] - ALTERNATIVE BUY NEW MOTOR COMPLETE
  - EME – has EME letter on the motor type plate
- [11] - TSB-PPW-2019-007 C3 NA6 Wobble Disc and Bearing Track surface hardening change
  - JP 60Hz, EXP., 7-67 FA / 195/1280 FA US
- [12] - EU, (JP 50Hz)
  - TSB-PPW-2019-007 C3 NA6 Wobble Disc and Bearing Track surface hardening change
- [13] - TSB-PPW-2019-007 C3 NA6 Wobble Disc and Bearing Track surface hardening change
  - POSEIDON 7-52 FA / MC 7P 150/1160 FA US
- [14] - TSB-PPW-2019-007 C3 NA6 Wobble Disc and Bearing Track surface hardening change
- [15] - Food
- [16] - See pump



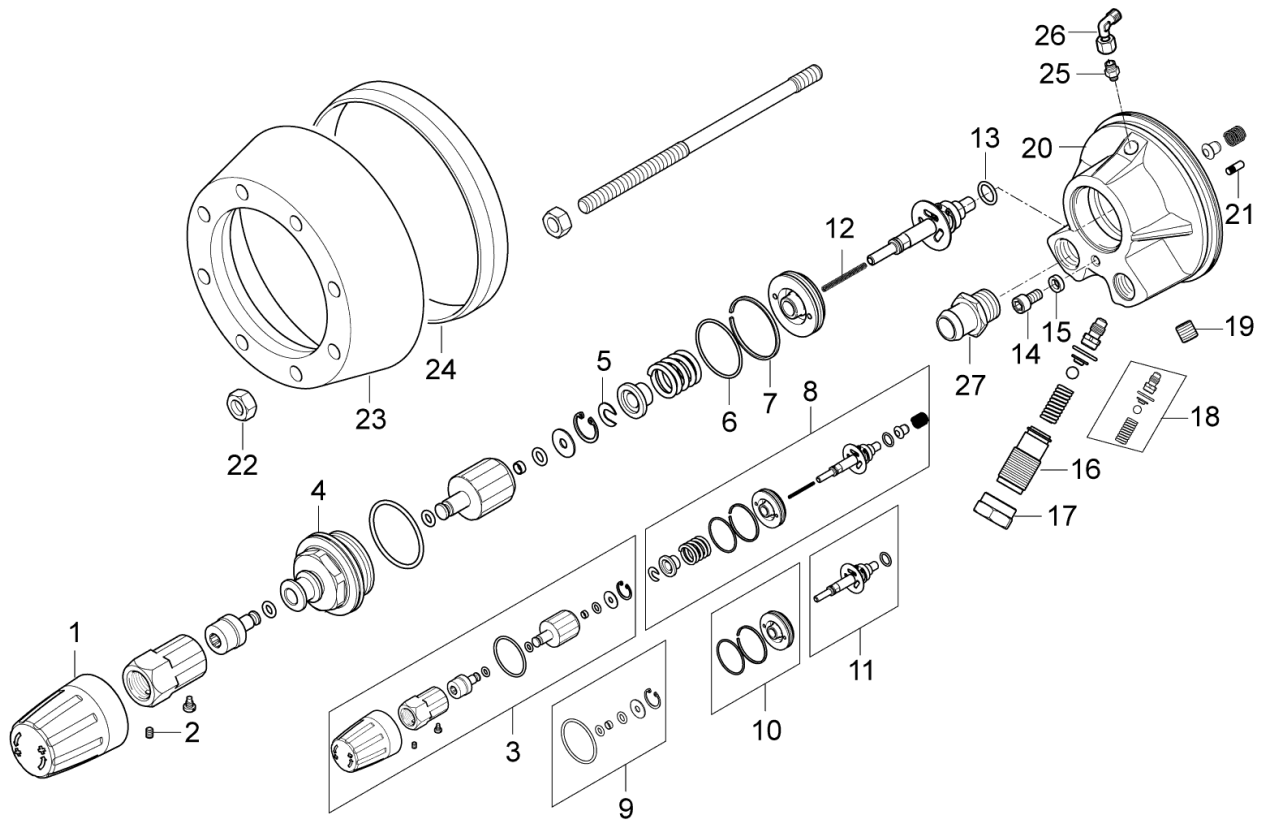
| Pos. | Artikelnummer | Hoeveelheid | Omschrijving                           | Notes |
|------|---------------|-------------|--|-------|
|      | 31001229      | 1           | OIL ISO 150 ALPHASYN-T 20L             |       |
| 0-   | 5218433       | 1           | Pompolie 150 1 x 1Ltr. Alphasyn.       | [1]   |
| 1    | 107141609     | 1           | PLATE FOR ADAPTOR FOR OIL CONTAINER C3 |       |
| 2    | 107140881     | 2           | Vijs M5X12 DIN 7985 TORX               |       |
| 3    | 107140883     | 1           | Deksel met oliecontact                 |       |
| 3A   | 107140877     | 1           | TOP OLJETANK                           |       |
| 4    | 101406054     | 1           | Spons Rubber O4 L 1 M                  |       |
| 5    | 107140879     | 1           | OIL CONTAINER BOTTOM                   |       |
| 6    | 107140882     | 1           | O-ring 15.0 X 3.0 SMS 1586 NBR70       |       |
| 7    | 107141610     | 1           | Vijs C3                                |       |
| 8    | 6100718       | 8           | Ring                                   |       |
| 9    | 6100719       | 8           | drukkring                              |       |
| 10   | 6301368       | 8           | Draadeind                              |       |
| 11   | 1800465       | 8           | Moer M10 (ook 4826)                    |       |
| 12   | 1802529       | 4           | Borgring                               |       |
| 13   | 6100666       | 4           | Ring v. terugslagveer                  |       |
| 14   | 6301166       | 4           | Keramische plunjer                     |       |
| 15   | 102602517     | 4           | Terugslagveer C3                       |       |
| 16   | 6100610       | 1           | Cylinderblok                           |       |
| 17   | 101119850     | 1           | Kit Thruststring & Back-up             | [2]   |
| 17   | 107120700     | 4           | Drukkring                              |       |
| 18   | 107120701     | 1           | Cylinder kop C3                        |       |
| 19   | 6300071       | 1           | Cylinderblok compleet 03K S            |       |
| 20   | 6150400       | 1           | Stop                                   |       |
| 21   | 106408208     | 1           | Koperen dichtring 17X25X1.5            |       |
| 96   | 1119195       | 1           | Rep.set Kleppen                        | [3]   |
| 96   | 1119310       | 1           | Reparatieset kleppen 02/A2/03          | [4]   |
| 96   | 101119848     | 1           | Kleppenset Poseidon                    | [5]   |
| 97   | 1119571       | 1           | Rep.set voor afdichting M PS/C3        | [6]   |
| 98   | 1119820       | 1           | Olieafdichtingset 03K/C3K              |       |
| 99   | 1119570       | 1           | Reparatieset MPS/C3                    |       |

## Part Notes:

- [1] - 1,1L - OIL TYPES\_QUANTITY for HPW\_APRIL 2017
- [2] - Supporting ring metal
- [3] - STEEL
- [4] - PLASTIC
- [5] - - TOLERATE CHLORINE
- [6] - C3

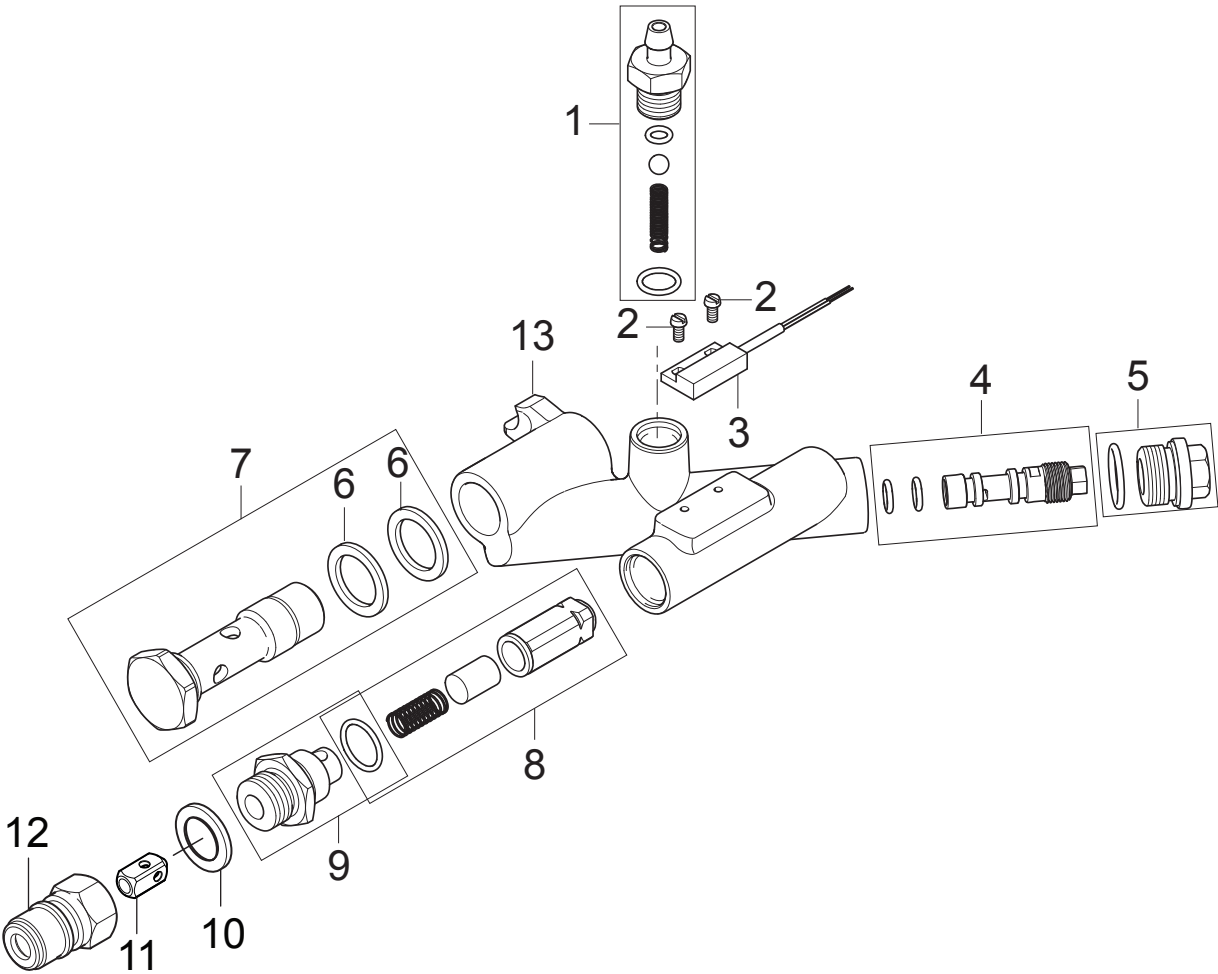
TSB-PPW-2016-011 Rep kit 1119571 and 1119570 potential have wrong O-ring in kit

DE TSB-PPW-2016-011 Rep Kit 1119571 und 1119570 beinhalten möglicherweise einen falschen O-Ring





| Pos. | Artikelnummer | Hoeveelheid | Omschrijving                 | Notes |
|------|---------------|-------------|------------------------------|-------|
| 1    | 107140914     | 1           | WATER REGULATION C3          |       |
| 2    | 1802602       | 1           | Bout M4x6                    |       |
| 3    | 101118115     | 1           | Waterregeling KIT C3         |       |
| 4    | 6100984       | 1           | Bus voor spindel             |       |
| 5    | 6101069       | 1           | Zekeringsring                |       |
| 6    | 3001716       | 1           | O-Ring 35.1x1.6              |       |
| 7    | 6101061       | 1           | Zuigerring                   |       |
| 8    | 1118580       | 1           | Rep.set omloopventiel        |       |
| 9    | 101119410     | 1           | Rep.set pakking              |       |
| 10   | 6100925       | 1           | Ventielzuiger                |       |
| 11   | 6101784       | 1           | Ventielkegel                 |       |
| 12   | 2600286       | 1           | veer DM = 2,9                |       |
| 13   | 3000460       | 1           | O-Ring 11.0x2.0              |       |
| 14   | 3913          | 1           | INNEN SKT-SCHR.M 6X 12 VE R  |       |
| 15   | 6100985       | 1           | keerring                     |       |
| 16   | 6100940       | 1           | Moer                         |       |
| 17   | 6100928       | 1           | moer                         |       |
| 18   | 1118512       | 1           | Reparatieset overdrukventiel |       |
| 19   | 1602333       | 1           | PLUG 1/8 INCH                |       |
| 20   | 6101042       | 1           | Ventieldeksel                |       |
| 21   | 6100996       | 1           | Pen                          |       |
| 22   | 1800465       | 8           | Moer M10 (ook 4826)          |       |
| 23   | 6100602       | 1           | Spanband                     |       |
| 24   | 6301392       | 1           | Afstandsring                 |       |
| 25   | 1821          | 1           | Koppeling XGE 6LR 1/8        |       |
| 26   | 107141616     | 1           | MONTAGE HOEK COMPLEET        |       |
| 27   | 107141614     | 1           | Draaikoppeling               |       |



| Pos. | Artikelnummer | Hoeveelheid | Omschrijving                        | Notes |
|------|---------------|-------------|-------------------------------------|-------|
| 1    | 1119406       | 1           | Reparatiekit terugslagventiel       |       |
| 2    | 101118033     | 2           | Bout M3X6 BRASS DIN 84 ISO 1207 KIT |       |
| 3    | 106408216     | 1           | Reed Schakelaar                     |       |
| 4    | 107144112     | 1           | Injector - NA5                      |       |
| 5    | 107141982     | 1           | OIL PLUG W/O-RING AND MAGNET NA5.2  |       |
| 6    | 1801075       | 2           | Dichtingsring 3/8 inch              |       |
| 7    | 101118298     | 1           | BANJO SCREW 3/8 SS C3 REP. KIT      | [1]   |
| 8    | 101119411     | 1           | Magneetbusje                        |       |
| 9    | 107141430     | 1           | PLUG VOOR SCHAKELAAR COMLEET        |       |
| 10   | 1801075       | 1           | Dichtingsring 3/8 inch              |       |
| 11   | 6101038       | 1           | Zuiger v. terugslagventiel          |       |
| 12   | 1600493       | 1           | Snelkoppeling mannelijk 3/8 inch    |       |
| 12   | 1603101       | 1           | Snelkoppeling RVS 3/8 inch          | [2]   |
| 13   | 107144076     | 1           | Uitlaat koppeling C3 FA             |       |

## Part Notes:

- [1] - TSB-PPW-2016-019 MC 7P Banjo bolt complete 107141432, can break  
 DE TSB-PPW-2016-019 MC 7P Hohlschraube komplett 107141432, kann brechen  
 TSB-PPW-2018-002 MC 7P Banjo bolt cracks
- [2] - INOX



| Pos. | Artikelnummer | Hoeveelheid | Omschrijving                            | Notes |
|------|---------------|-------------|---|-------|
| 1    | 106403122     | 1           | ERGO 2000 st. + anti-draaikoppeling     | [1]   |
| 1    | 106403154     | 1           | ERGO 2000 SPRAY GUN W/O LOGO ACC.       | [2]   |
| 2    | 106403010     | 1           | TornadoPlus 1120 gebogen                | [3]   |
| 3    | 101119747     | 1           | TornadoPlus nozzel 0680 1/ 8 inch       | [4]   |
| 3    | 101119748     | 1           | TornadoPlus nozzel 0700 1/ 8 inch       | [5]   |
| 4    | 106402294     | 1           | TurboHamer Plus W11 recht 0700          | [6]   |
| 5    | 106403096     | 1           | PowerSpeed Vario Plus 1090 gebogen 0680 | [7]   |
| 6    | 6101766       | 1           | Hogedrukslang 3/8 inch 10 m             | [8]   |
| 6    | 1402064       | 1           | Hogedrukslang 3/8 inch 15 m             | [8]   |
| 6    | 1402072       | 1           | Hogedrukslang 3/8 inch 20 m             | [8]   |
| 6    | 6101767       | 1           | Hogedrukslang 3/8 inch non-marking 10 m | [8]   |
| 7    | 6401243       | 1           | Schuiminjecteur met omloop RVS          | [9]   |
| 8    | 106403142     | 1           | Zandfilter met bevestiging              | [10]  |
| 8    | 106403144     | 1           | Vlotterbak kit                          | [11]  |
| 8    | 106403165     | 1           | Zandfilter voor wbt kit                 | [12]  |

## Part Notes:

- [1] - ERGO 2000 Spray handle
- [2] - UNITOR
- [3] - TORNADO PLUS lance
- [4] - 7-67
- [5] - 7-52 US
- [6] - 7-67 FAXT  
TURBOHAMMER PLUS lance
- [7] - POWERSPEED VARIO PLUS lance
- [8] - HOSES Overview
- [9] - 7-67 FBFA  
Foam injector
- [10] - SANDFILTER KIT POSEIDON 5-6-7 from September 2012
- [11] - PRUNED-NO REPLACEMENT  
WATER BRAKE TANK POSEIDON 5-6-7 from September 2012
- [12] - PRUNED-NO REPLACEMENT  
SANDFILTER FOR WBT POSEIDON 5-6-7 from September 2012



| Pos. | Artikelnummer | Hoeveelheid | Omschrijving                       | Notes |
|------|---------------|-------------|------------------------------------|-------|
|      | 101118106     | 1           | HOSE GUIDE BRAKE COMPLETE KIT      |       |
|      | 101118111     | 1           | HOSE GUIDE KIT                     |       |
|      | 101118102     | 1           | SLANGHASPEL HANDLE KIT             |       |
|      | 101118104     | 1           | SPRING AND LOCK NUT KIT            |       |
|      | 107141632     | 1           | Kabelhaak                          |       |
|      | 107141667     | 1           | Sluitring                          |       |
|      | 107141653     | 1           | Buis manometer FA modellen         |       |
|      | 107141679     | 1           | HOSE GUIDE SLEEVE OPEN             |       |
|      | 107141633     | 1           | TERMINAL BLOCK 4Q PE               |       |
|      | 107141627     | 1           | SCREW K50X40 T20                   |       |
|      | 107141635     | 1           | Reinigingsmiddeltank 2,5 l         |       |
|      | 107141664     | 1           | Top voor zeeptank                  |       |
|      | 107141615     | 1           | RUBBER FOOT                        |       |
|      | 107141629     | 1           | HOSE HOOK                          |       |
|      | 107141634     | 1           | REAR END                           |       |
|      | 107141671     | 1           | RUBBER ELBOW C3                    |       |
|      | 101118103     | 1           | Geleider hd slang kit haspel       |       |
|      | 107141669     | 1           | WATER INLET PIPE C3                |       |
|      | 107141648     | 1           | MANOMETER 0-300 BAR                |       |
|      | 107141630     | 1           | Lanshouder montage aan frame       |       |
|      | 107141650     | 1           | PLATE FOR MANOMETER                |       |
|      | 107141676     | 1           | DRAAISTEUN SCHROEF VOOR SLAGHASPEL |       |
|      | 101118101     | 1           | HANDLE KIT                         |       |
|      | 107141663     | 1           | RUBBER GROMMET                     |       |
| 0A   | 101119848     | 1           | Kleppenset Poseidon                | [1]   |
| 0A   | 6101069       | 1           | Zekeringsring                      | [1]   |
| 0A   | 1119195       | 1           | Rep.set Kleppen                    | [1]   |
| 0A   | 107144112     | 1           | Injector - NA5                     | [1]   |
| 0A   | 6100925       | 1           | Ventielzuiger                      | [1]   |
| 0A   | 101119411     | 1           | Magneetbusje                       | [1]   |
| 0A   | 1119310       | 1           | Reparatieset kleppen 02/A2/03      | [1]   |
| 0A   | 1119570       | 1           | Reparatieset MPS/C3                | [1]   |
| 0A   | 106408216     | 1           | Reed Schakelaar                    | [1]   |
| 0A   | 101117926     | 1           | Filter                             | [1]   |
| 0A   | 1119820       | 1           | Olieafdichtingset 03K/C3K          | [1]   |
| 0A   | 1119571       | 1           | Rep.set voor afdichting M PS/C3    | [1]   |
| 0A   | 6101784       | 1           | Ventielkegel                       | [1]   |
| 0B   | 1118512       | 1           | Reparatieset overdrukventiel       | [2]   |
| 0C   | 107141666     | 1           | PCB POSEIDON 5-6-7                 | [3]   |
| 0C   | 107140617     | 1           | Lagerhuis                          | [4]   |
| 0C   | 63910         | 1           | Contactoor compleet                | [3]   |
| 0C   | 103822304     | 1           | Contactoor CJX2-D18 18A 230V 3P+NO | [3]   |
| 0C   | 64773         | 1           | Auxiliary contact                  | [3]   |
| 0C   | 107120710     | 1           | Tuimelschijf 6                     | [5]   |
| 0C   | 103822303     | 1           | CONTACTOR CJX2-D18-V7 400          | [3]   |
| 0C   | 63910         | 1           | Contactoor compleet                | [3]   |
| 0C   | 103822308     | 1           | Contactoor                         | [3]   |
| 0C   | 107120704     | 1           | Lagerschijf                        | [5]   |
| 0C   | 107142761     | 1           | START RELAY RVA4G0C                | [3]   |
| 0C   | 107143182     | 1           | CAPACITOR 70UF 450/500V RP-3       | [3]   |
| 0C   | 107120750     | 1           | Motor 6,5KW/400-415/230/ 3         | [3]   |
| 0C   | 107140615     | 1           | FRONT BEARING COVER COMPLETE       | [3]   |
| 0C   | 3200623       | 1           | N-lager                            | [3]   |
| 0C   | 107120716     | 1           | Wobble disk 12                     | [5]   |
| 0C   | 3200664       | 1           | Naaldlager                         | [3]   |
| 0C   | 107120752     | 1           | MOTOR 6.5KW 200 3 50               | [3]   |
| 0C   | 107120757     | 1           | MOTOR 5.0KW 208 230 1 60           | [3]   |
| 0C   | 301001058     | 1           | Schakelaar 10A                     | [3]   |

| Pos. | Artikelnummer | Hoeveelheid | Omschrijving                      | Notes |
|------|---------------|-------------|-----------------------------------|-------|
| 0C   | 3200615       | 1           | Lager                             | [3]   |
| 0C   | 103822314     | 1           | CONTACTOR CJX2-D32 32A 230V 3P+NO | [3]   |
| 0C   | 1119406       | 1           | Reparatiekit terugslagventiel     | [3]   |
| 0C   | 107120708     | 1           | Tuimelschijf 4                    | [5]   |
| 0C   | 301000402     | 1           | Weerstand 15kohm                  | [3]   |
| 0C   | 3200656       | 1           | Lager                             | [3]   |
| 0C   | 107120753     | 1           | MOTOR 6.5KW 200 3 60              | [3]   |
| 0C   | 301000263     | 1           | Zekering 0,63A 500V traag         | [3]   |
| 0C   | 107120751     | 1           | Motor 6.5 KW                      | [3]   |

## Part Notes:

- [1] - A
- [2] - B
- [3] - C
- [4] - C  
ALTERNATIVE BUY NEW MOTOR COMPLETE
- [5] - C  
TSB-PPW-2019-007 C3 NA6 Wobble Disc and Bearing Track surface hardening change



