

# PARTS LIST

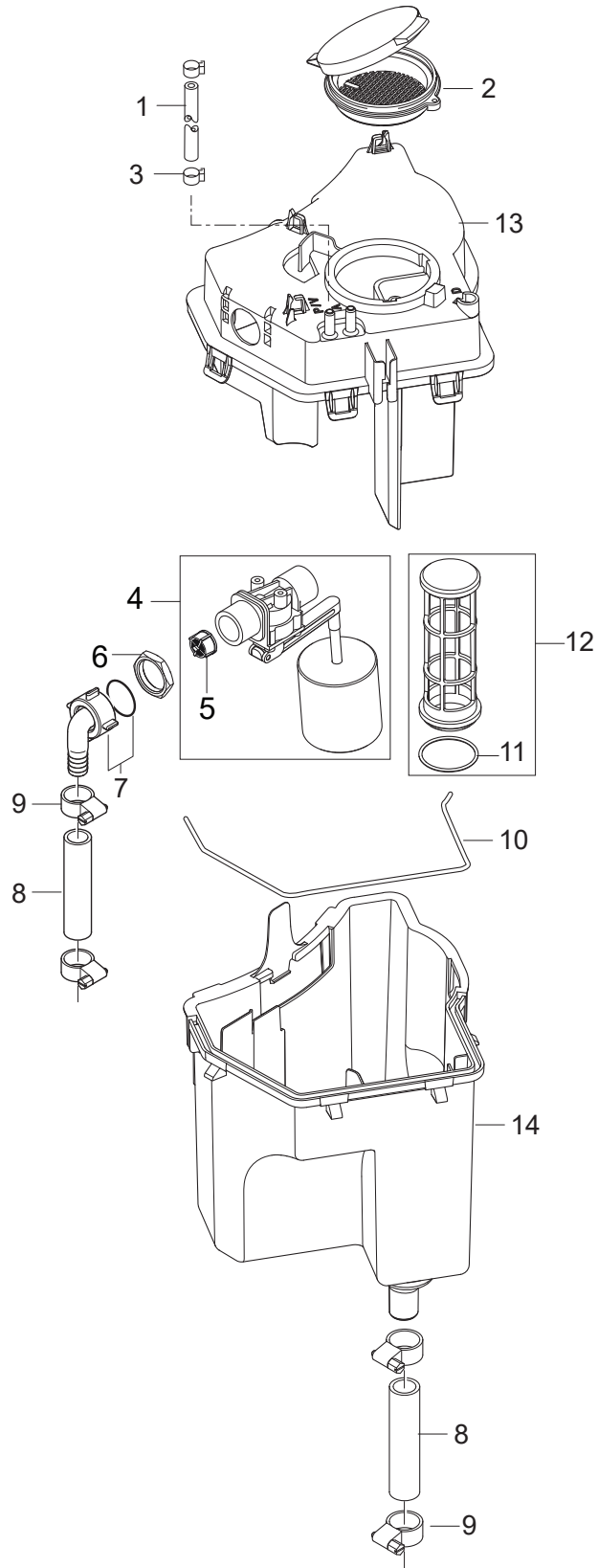


2020.12.02

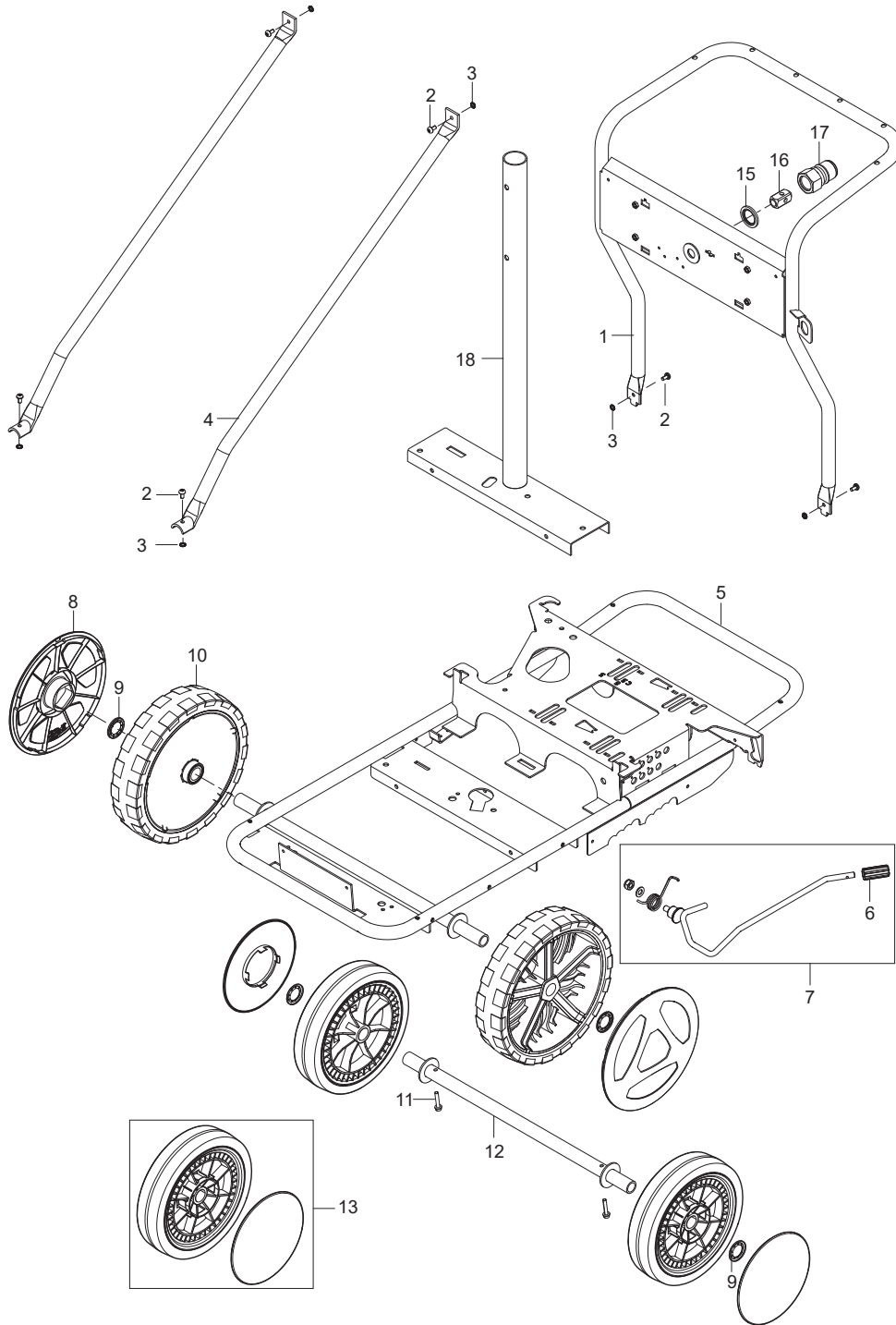
# TABLE OF CONTENTS

---

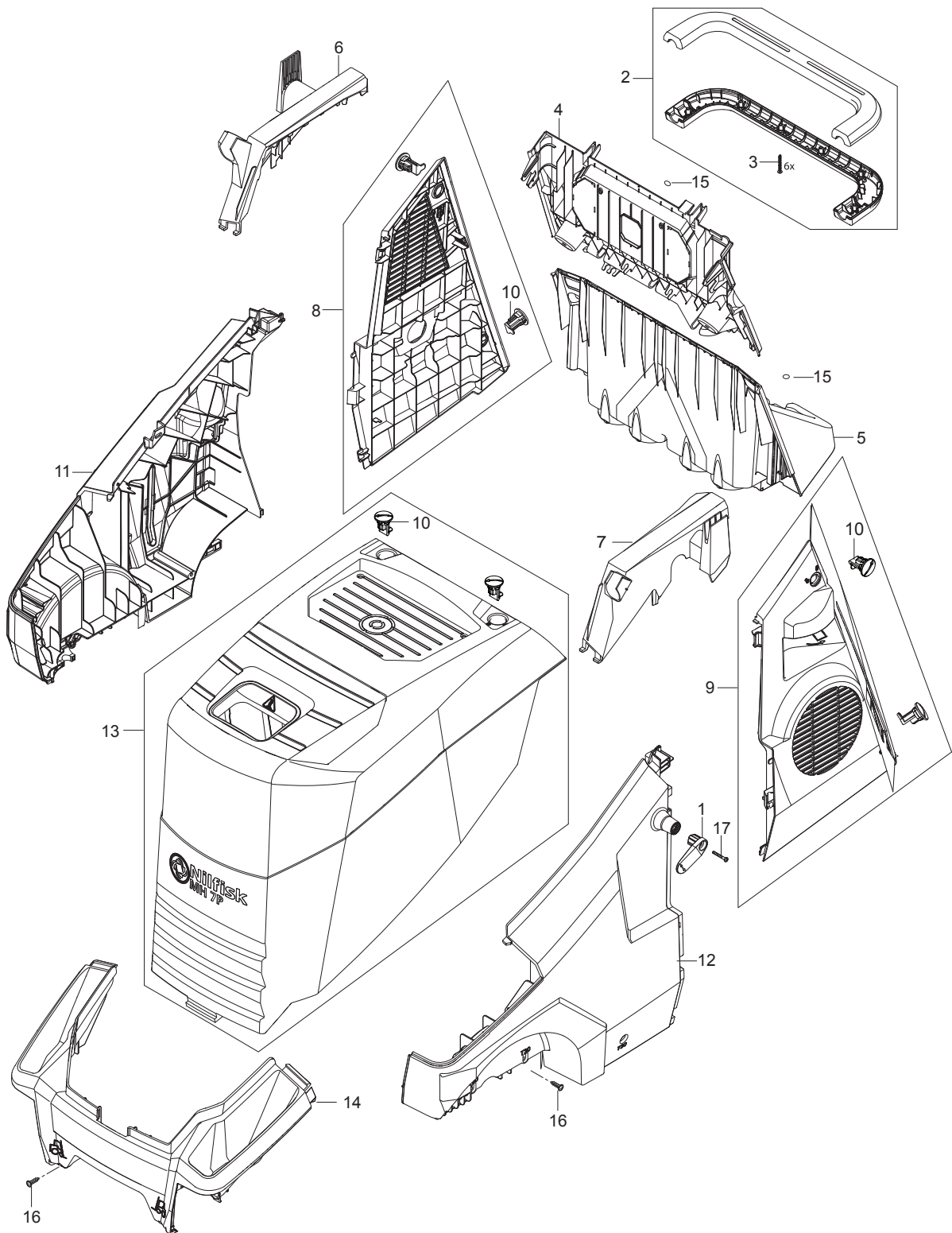
Water break tank .....	1
Chassis large .....	3
Cabinet .....	5
Hose reel .....	7
Fuel tank 30L .....	9
Water inlet_FA .....	11
Anti-scale .....	13
1x detergent .....	15
Electric box for motor 1~,3~ STAR and 3~ DELTA .....	17
Electric box .....	19
Electric box for motor Star/Delta .....	22
Cables and wires .....	24
Motor .....	26
Cylinder block .....	28
Flow control w. hose connection .....	30
Fan .....	32
Burner .....	34
Boiler B7 .....	36
Water flow regulation .....	38
Flow control FA .....	40
Default accessories .....	42



Pos.	Artikelnummer	Hoeveelheid	Omschrijving	Notes
1	101406100	1	HOSE DN 6X3 5M	
2	301000561	1	Deksel chemietank	
3	301001133	2	Slangklem 10/7	
4	101117784	1	Afsluitklep	
5	34218	1	Vuilfilter	
6	1800341	1	MOER 3/4 INCH RG	
7	107143084	1	HOSE COUPLING 90° 20X3/4 PP W/NUT/GASKET	
8	107143031	1	FUELFLEX HOSE D28/D20 10BAR/20°	
9	8298	4	Slangklem 16-27	
10	101406054	1	Spons Rubber O4 L 1 M	
11	107143032	1	O-RING D30X2 SHORE70 NBR BLACK	
12	106403194	1	FILTER FOR WATER BREAK TANK ACCESSORY	
13	107143060	1	COVER FOR WATER TANK	
14	107143030	1	WATER BREAK TANK	

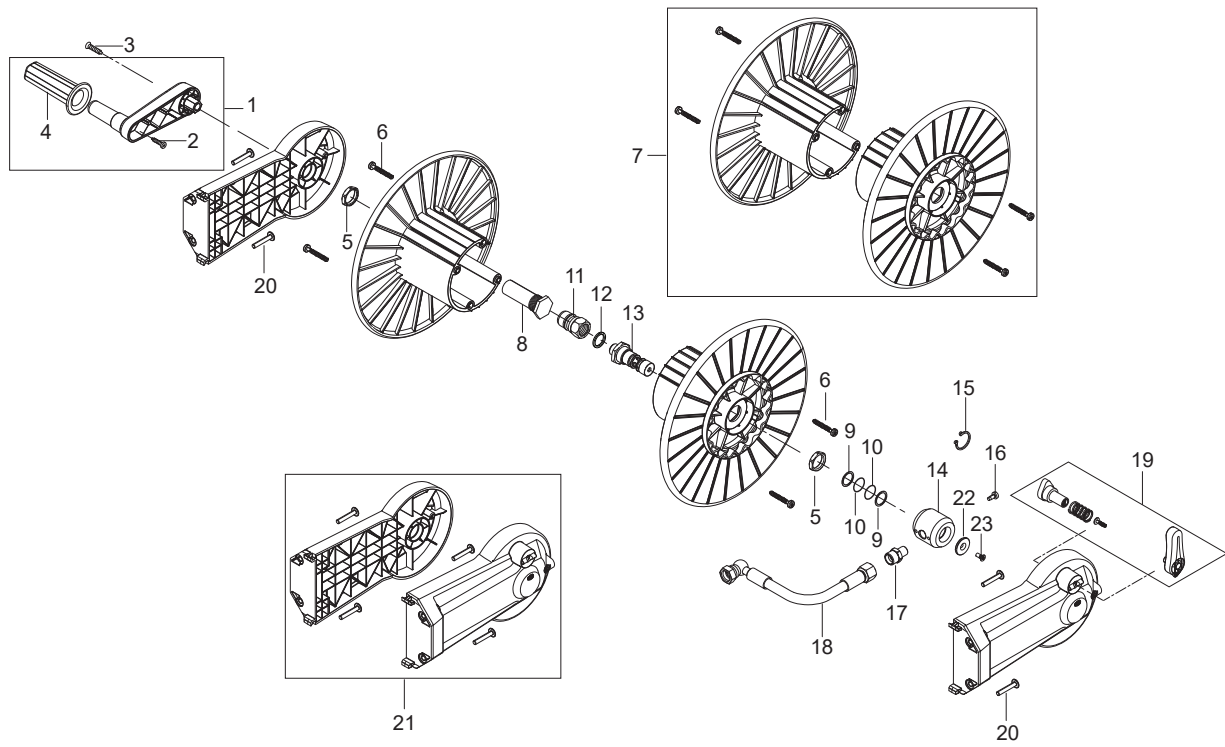


Pos.	Artikelnummer	Hoeveelheid	Omschrijving	Notes
1	31001157	1	FRAME HANDLE	
2	107143018	6	SCREW M6X16	
3	107143146	6	WASHER SERRATED M6	
4	31001158	2	HANDLE STIFFENER LONG	
5	31001159	1	FRAME LARGE WELDED	
6	107143028	1	BRAKE KNOB	
7	101118229	1	BRAKE ARM LONG KIT	
8	107145780	2	WHEEL CAP FOR WHEEL Ø300X65 - NILFISK	
9	46363	4	Klemring	
10	107145637	2	WHEEL D300X65	
11	107143027	2	SCREW M6X35 SW10 DIN7500D FZB	
12	31001160	1	WHEEL AXLE REAR	
13	107143304	2	WHEEL D250 HEAVY LOAD W/CAP	
15	1801075	1	Dichtingsring 3/8 inch	
16	107143066	1	PISTON	
17	1600493	1	Snelkoppeling mannelijk 3/8 inch	
18	31001161	1	BOILER TUBE W. BRACKET LARGE	



Pos.	Artikelnummer	Hoeveelheid	Omschrijving	Notes
1	107143025	1	Kabelhaak Klem Blauw	
2	101118192	1	HANDLE KIT	
3	909100148	6	Screw K40x30 WN 1452	
4	107143013	1	REAR END TOP	
5	107143014	1	REAR END BOTTOM	
6	107143021	1	COVERING FOR HANDLE RIGHT	
7	107143022	1	COVERING FOR HANDLE LEFT	
8	101118223	1	DOOR MPU C3 RIGHT	
9	107143019	1	DOOR LEFT W/LOCKS	
10	301001261	6	Locking bolt	
11	107143130	1	SIDE BUMPER LARGE RIGHT	
12	107143131	1	SIDE BUMPER LARGE LEFT	
13	101118205	1	CABINET MH 7P NILFISK KIT	
14	107143015	1	FRONT BUMPER	
15	107143009	6	BLIND PLUG D16.5 FOR T30 BLACK PE	
16	107143018	12	SCREW M6X16	
17	107141838	7	SCREW K50X18 WN1451 BLACK TORX20	

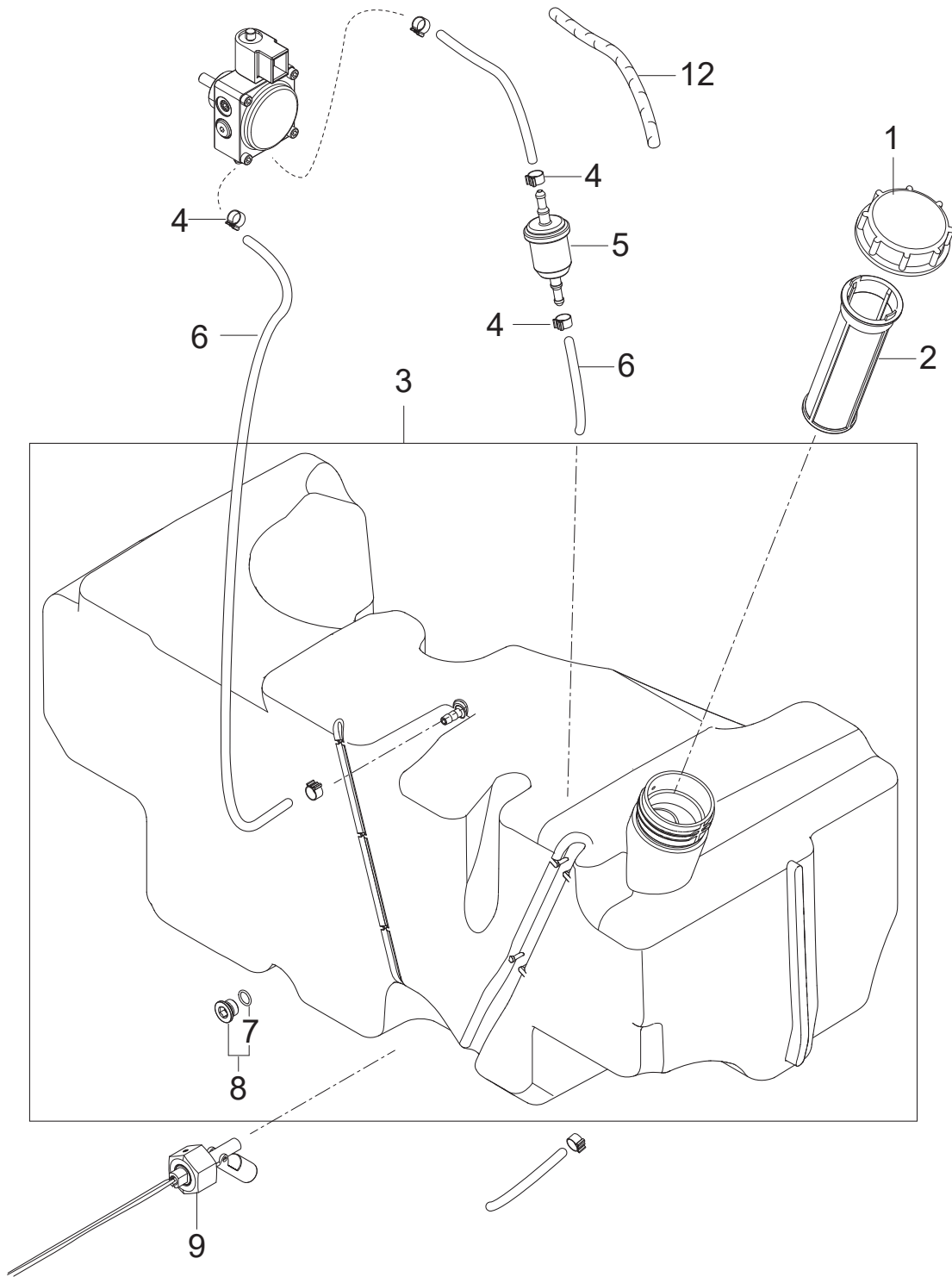




Pos.	Artikelnummer	Hoeveelheid	Omschrijving	Notes
0	106403184	1	HOSE REEL NILFISK ACCESSORY	
1	101118215	1	HANDLE FOR HOSE REEL NILFISK	
2	107141838	2	SCREW K50X18 WN1451 BLACK TORX20	
3	107141673	1	SCREW M6X45 ISO 7380 BLACK TORX	
4	107143007	1	ROTATING HANDLE FOR HOSE REEL NILFISK	
5	62696	2	Moer	
6	909100153	4	Schroef 6x40	
7	101118209	1	HOSE REEL SIDE KIT	
8	107141675	1	As voor slanghaspel	
9	107143017	2	BACK-UP RING	
10	19620	2	O-Ring 15.54x2.62 DIN 377	
11	1600493	1	Snelkoppeling mannelijk 3/8 inch	
12	1801075	1	Dichtingsring 3/8 inch	
13	107143123	1	SWIVEL FOR HOSE REEL	
14	101118317	1	BEARING BUSH KIT	[1]
15	1802057	1	Zeegerring 20x1,2	[2]
16	107141690	1	Bout M5X12 DIN7985 torx tap.	
17	54590	2	Fitting	
18	107143114	1	CONNECTION HOSE DN8 FOR HOSE REEL	
19	101118212	1	020KE HANDLE FOR HOSE REEL NILFISK KIT	
20	107143010	4	SCREW M6X35	
21	101118208	1	HOSE REEL ADAPTOR KIT	
22	107143125	1	WASHER 25 FOR COUNTERSUNK M5	[3]
23	107143124	1	COUNTERSUNK M5X12 ISO 14581	[3]
		1	Mounting instr. for Hose Reel Nilfisk	[4]

Part Notes:

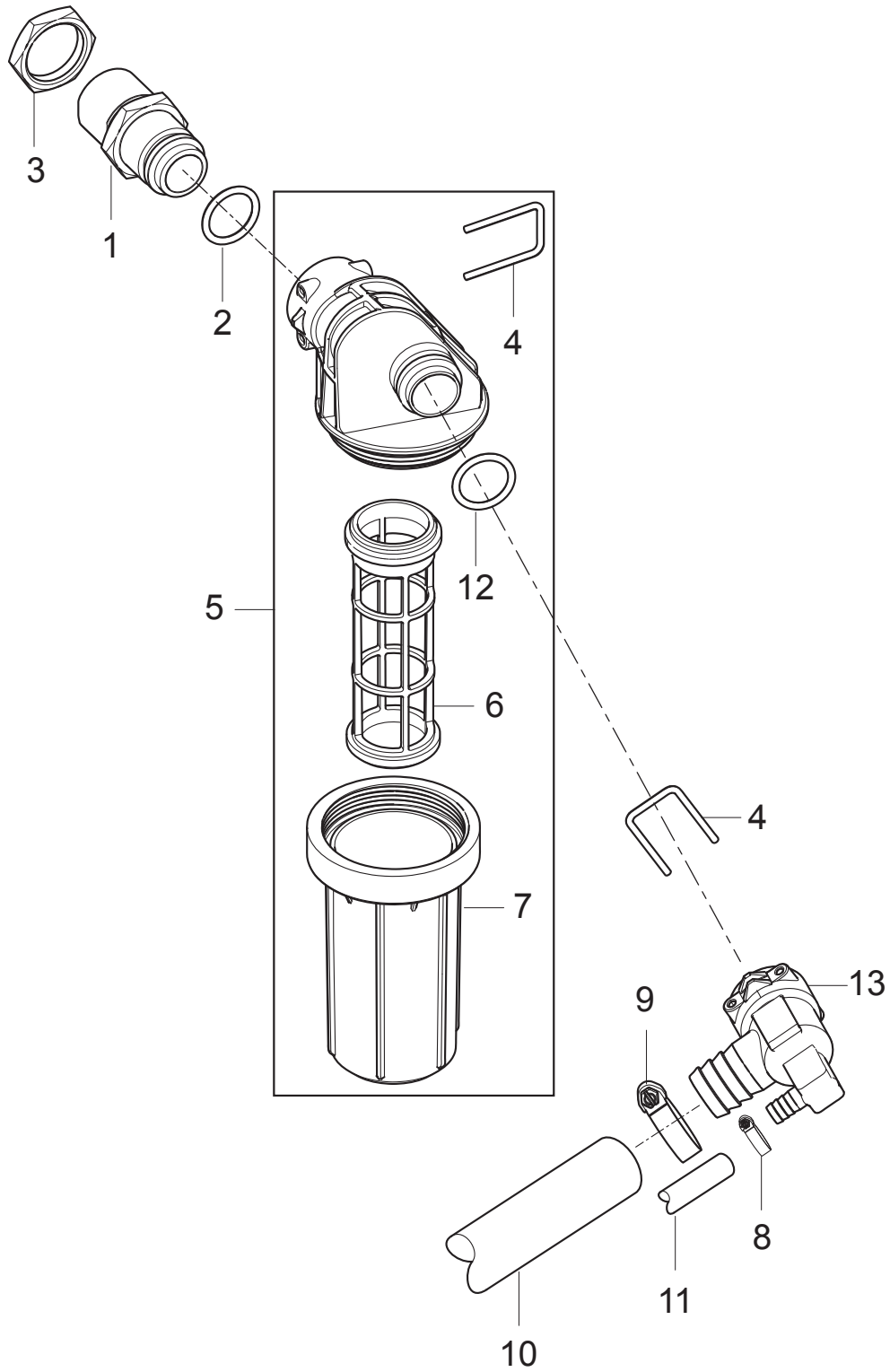
- [1] - TSB-PPW-2019-005 MH Hose Reel Screw 107143124 can break  
DE TSB-PPW-2019-005 MH Schlauchtrommel Schraube 107143124 kann brechen  
TSB-PPW-2019-005 vis cassée à l'enrouleur des MH
- [2] - Up to 07.2016
- [3] - TSB-PPW-2016-018 MH 4M Hose Reel Circlip
- [4] - Mounting instructions MH Nilfisk hose reel



Pos.	Artikelnummer	Hoeveelheid	Omschrijving	Notes
1	107143034	1	FUEL TANK LID - RED	
2	107144862	1	STRAINER Ø49,5X140	
3	107143136	1	FUEL TANK 30L	
4	301001133	6	Slangklem 10/7	
5	301002926	1	Filter	
6	106408244	0.35	HOSE D6X2.5 - 5 METERS	
7	3000072	1	O-Ring 10,1x1,6 nitril 7 0 sh	
8	6180906	1	Plug met o-ring	
9	107143033	1	LEVEL SENSOR FUEL TANK	
10	107143164	1	BEND PROTECTOR	[1]

## Part Notes:

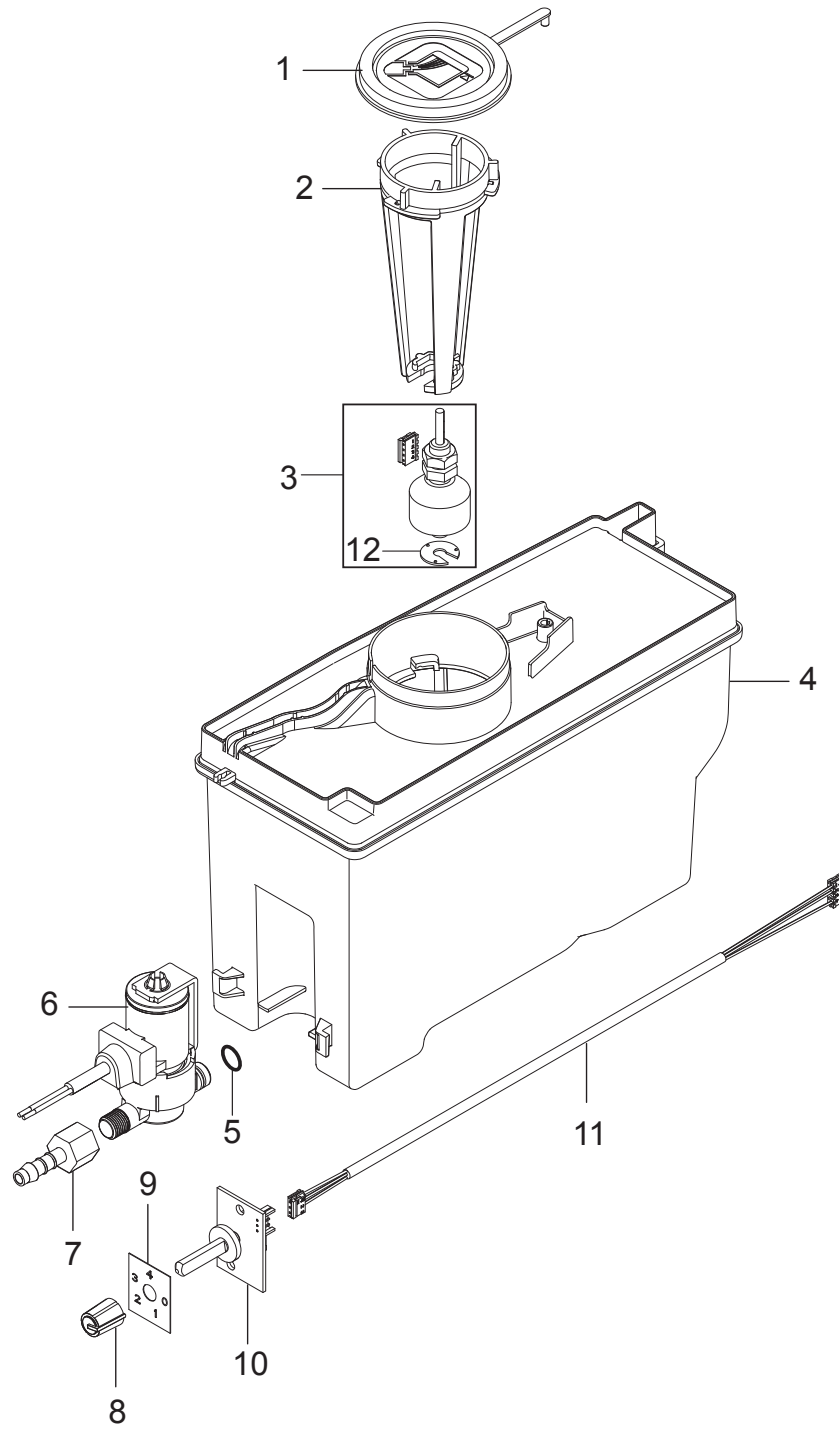
- [1] - DE TSB-PPW-2017-006 MH 3, 4, 5, 6, 7 Kraftstoffschlauch kann durch zu st...  
TSB-PPW-2017-006 MH 3, 4, 5, 6, 7 Fuel hose can bend and block for fuel



Pos.	Artikelnummer	Hoeveelheid	Omschrijving	Notes
1	107143086	1	Inlaatkoppeling voor water	
2	107143088	2	O-RING 18.72X2.62	
3	1800341	1	MOER 3/4 INCH RG	
4	107143085	2	LOCK PIN	
5	107144272	1	FILTER CPL. MH 5000MM2 50µ ACCESSORY	
6	31001100	1	FILTER CARTRIDGE WITHOUT FLANGE	[1]
7	31001011	1	GLAS FOR WATER FILTER	[1]
8	11654	1	Slangklemmen D-11,5	
9	8298	1	Slangklem 16-27	
10	107143031	1	FUELFLEX HOSE D28/D20 10BAR/20°	
11	101406100	1	HOSE DN 6X3 5M	
12	107143088	1	O-RING 18.72X2.62	
13	107143087	1	Water inlaatkoppeling voor FA	

## Part Notes:

- [1] - TSB-PPW-2020-006 Water inlet filter cartridge and filter glass improved  
 DE TSB-PPW-2020-006 Wasserzulauffilter Glas und Filtereinsatz verbessert  
 TSB-PPW-2020-06 Cartouche de filtre d'entrée d'eau et bocal de filtre amélioré

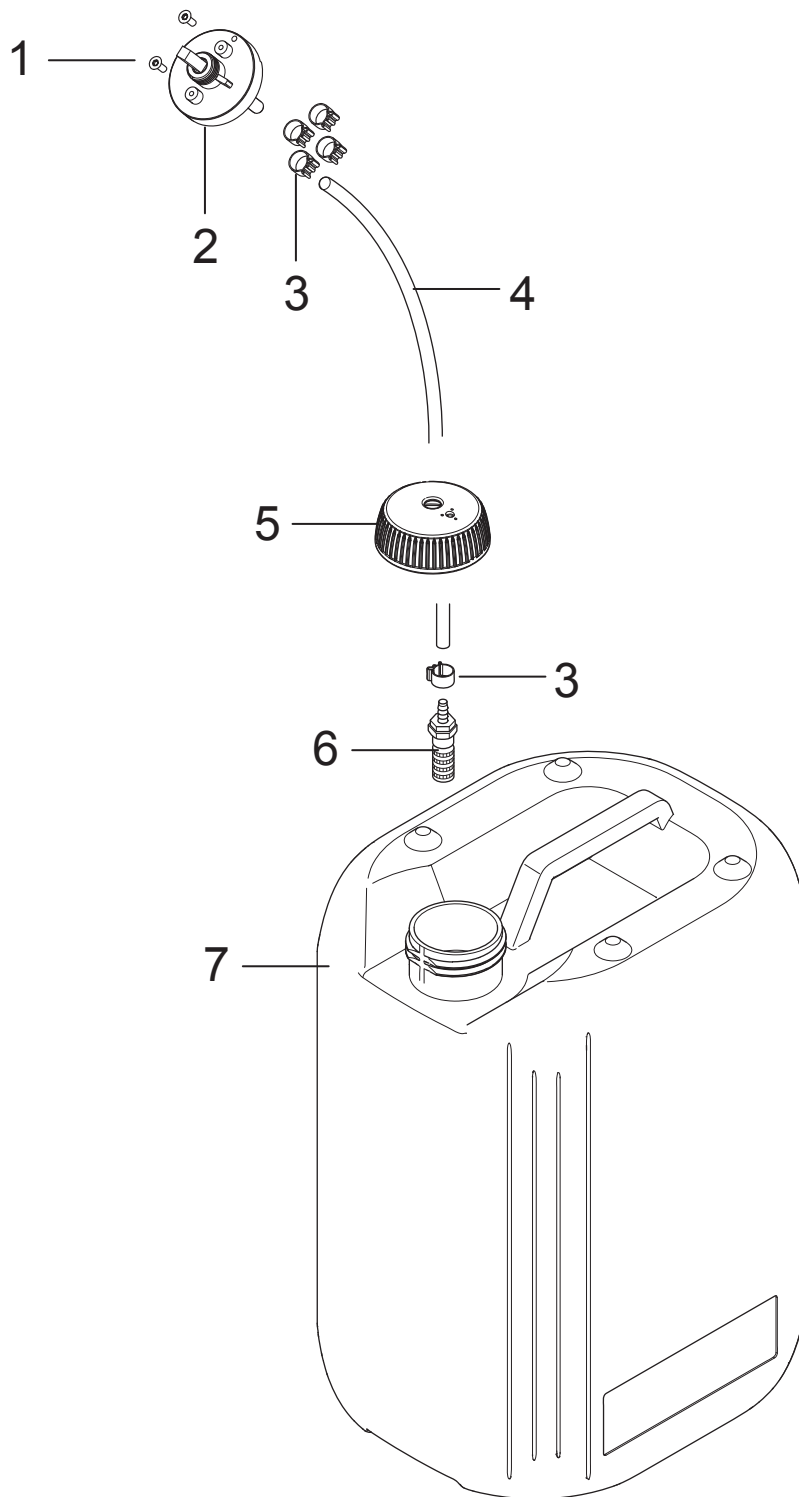


Pos.	Artikelnummer	Hoeveelheid	Omschrijving	Notes
1	45646	1	COVER	
2	107143040	1	LEVELSENSOR BRACKET FOR ANTISCALE	
3	101118214	1	FLOAT SWITCH KIT	
4	107143041	1	ANTISCALE TANK CPL.	
5	31001036	1	O-RING 6X2 NBR 70SH	
6	107143037	1	DOSING VALVE RPE 24VAC	
7	107143036	1	HOSE FITTING D6X1/8 PA	
8	107318222	1	PUSH-ON KNOB 11MM/6MMD/WH	
9	107143042	1	LABEL FOR ANTISCALE	
10	101117730	1	PCB for Potentiometer	
11	107143038	1	Kabel Voor Adjustment Anti Scale	
12	107142593	1	Borgring clip	[1]

Part Notes:

- [1] - TSB-PPW-2016-017 Locking ring for oil level switch falling off

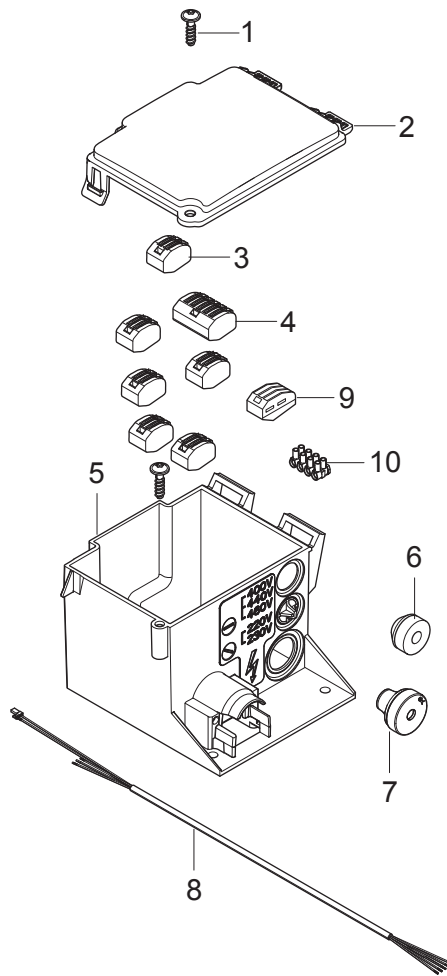




---

Pos.	Artikelnummer	Hoeveelheid	Omschrijving	Notes
1	1814730	2	Moer M4	
2	301001000	1	Doseerventiel	
3	301001133	8	Slangklem 10/7	
4	106408243	1	Doorzichte slang 1/4-5 m	
5	107141664	2	Top voor zeep tank	
6	107145440	2	Strainer Klepkit cpl.	
7	80518	1	CANISTER 10 L	

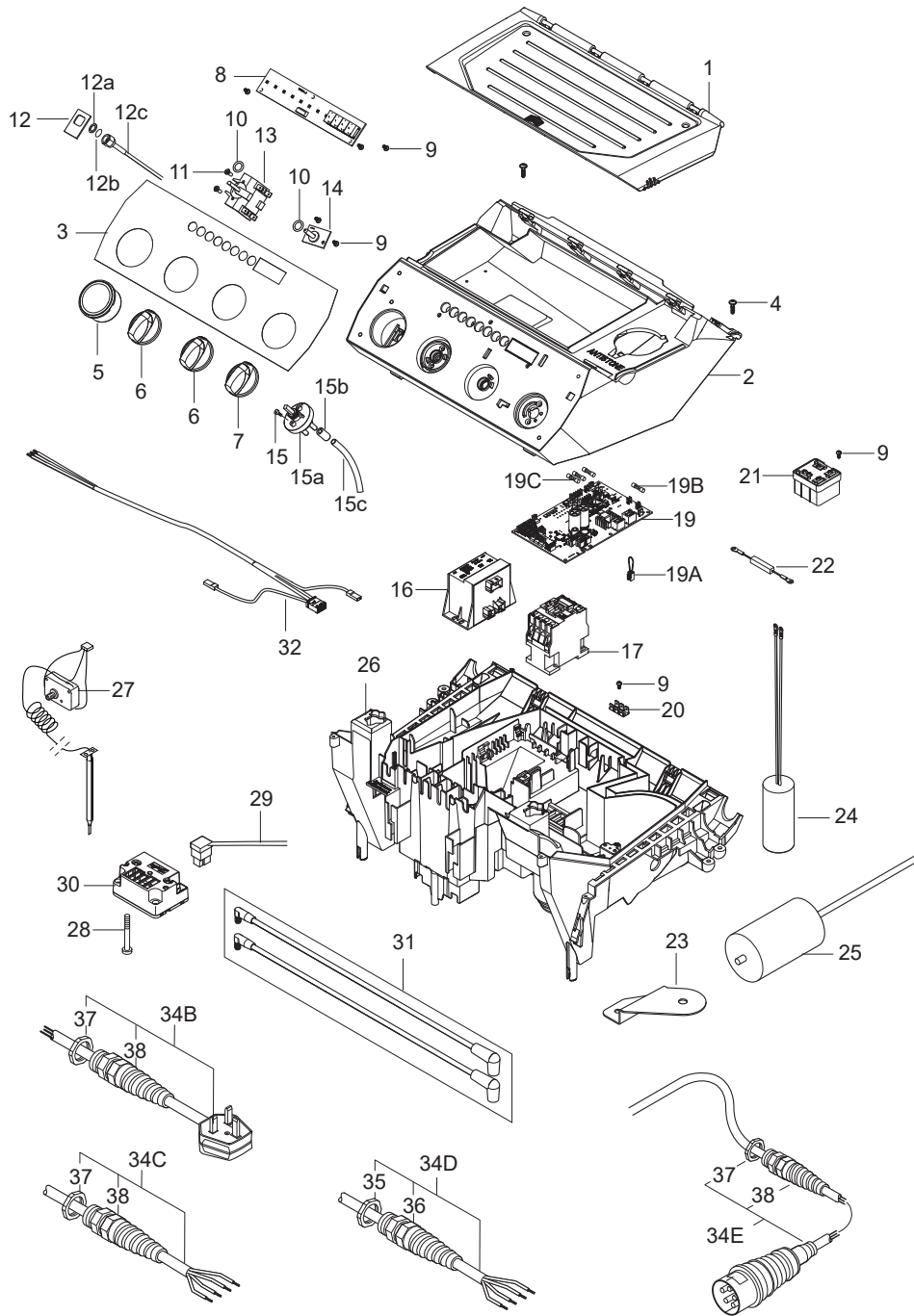
---



Pos.	Artikelnummer	Hoeveelheid	Omschrijving	Notes
1	107141838	1	SCREW K50X18 WN1451 BLACK TORX20	
2	301000782	1	Deksel 128,2x112,5x31,7 f . Kle	
3	107143069	6	BORNIER WAGO 2 POLES	
4	301002165	1	Snoer Klem 5-Polig	
5	107143074	1	E-BOX	
6	3803764	1	Rubber seal set 5-7c	
7	3803772	1	RubberBus Tet 7-10C	
8	107143075	1	Motor Kabel 5G1.5 Voor 3~	[1]
8	107143076	1	Motor Kabel 5G1.5 Voor 1~	[2]
8	107143071	1	Motor Kabel 5G2.5 Voor Star/Delta	[3]
8	107143129	1	Motor Kabel 4G4 Delta MH5-6-7	[4]
9	107143069	1	BORNIER WAGO 2 POLES	[5]
10	107143158	1	DOMINO 4 POLES 10MM2	[6]

## Part Notes:

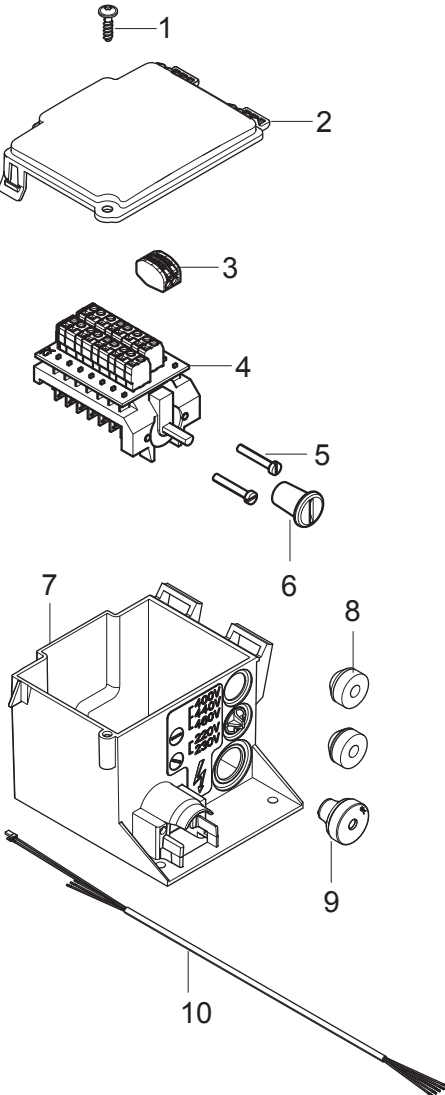
- [1] - MH4, MH5-200
- [2] - MH4 1ph, MH5 1ph
- [3] - MH4 (JP), MH5 (not MH5-200), MH6, MH7
- [4] - MH6 JP, MH7JP
- [5] - 1~
- [6] - MH5-6-7 - Delta, JP



Pos.	Artikelnummer	Hoeveelheid	Omschrijving	Notes
1	107143046	1	TOOL BOX LID	
2	107143045	1	E-BOX TOP	
3	107143153	1	LABEL F. CONTROL PANEL FULL SPEC NILFISK	
4	107141838	2	SCREW K50X18 WN1451 BLACK TORX20	
5	107141648	1	MANOMETER 0-300 BAR	
6	909100204	2	Draaiknop	
7	909100214	1	Draaiknop	
8	107143154	1	PCBA NEO UI DISPLAY CPL. MH	
9	909100046	5	Schroef 4 x 8	
10	9868	2	O-Ring 10X2,5	
11	18274	2	Schroef M4 X 12 DIN 963	
12	107141650	1	PLATE FOR MANOMETER	
12a	107141651	1	O-RING M12 13X24X2.5 A2 DIN 125	
12b	31000508	1	O-RING NBR	
12c	102406647	1	Hose f.pressure gauge	
13	28877	1	Schakelaar (SC)	
14	101117730	1	PCB for Potentiometer	
15	1814730	2	Moer M4	
15a	301001000	1	Doseerventiel	
15b	301001906	1	Sluiting	
15c	106408243	1	Doorzichte slang 1/4-5 m	
16	107143051	1	POWER TRANSFORMER 230/400V 2X24V	
16	107143064	1	POWER TRANSFORMER 220-240V/440-460V	
16	107143068	1	POWER TRANSFORMER 115 / 200V	
17	103822306	1	contactor cjx2-D18-B7-24V	[1]
17	103822313	1	CONTACTOR 12-25A 50/60HZ	[2]
17	103822317	1	CONTACTOR CJX2-D32-B7 24V	[3]
19	107143151	1	PCBA MH	[4]
19A	101221031	1	JUMPER F. SERVICE TIME RESET	
19B	31001190	1	FUSE 6.3A 5x20 MM 250V	
19C	15846	3	Fuse T 2.5 A	
20	107307326	1	EARTH CONNECTOR 6 PIN	
21	107142761	1	START RELAY RVA4G0C	
22	107141730	1	DISCHARGE RESISTOR 15KOHM/7W	[5]
23	107143134	1	BRACKET FOR CAPACITOR	[5]
24	107143182	1	CAPACITOR 70UF 450/500V RP-3	[6]
25	107141619	1	CAPACITOR 170MF	[5]
26	107143062	1	E-BOX BOTTOM	
27	106268028	1	Rookgas temperatuur sensor	
28	909100149	2	Schroef K50X50 T25 WN1453	
29	107143098	1	Primary Kabel Voor ontstekings spoel	
30	101117759	1	Ignition transf. 220-240-50-60-Danfoss	[7]
31	101118220	1	2 X IGNITION CORDS KIT	
32	107143056	1	Kabel Voor Vermogen Trafo Prim 230V	
32	107143063	1	Kabel Vermogen Transformer Prim 400 V	
32	107143072	1	Kabel F. Vermogen Transformer 230/400	
34B	101117812	1	POWER C.H07RN 3G1.5 BS13 GDN 6.3X0.8 KIT	[8]
34C	101118182	1	POWER CORD H07RN 4G2.5X6M GND 6.3X0.8 NO	[9]
34D	107143126	1	POWER CORD 4X5.5MM2 X9M	[10]
34E	101118222	1	POWER CORD H07RN 4G1,5 CEE5	[11]
35	909100198	1	Snoerbevestiging M25 X 1,5	
36	909100020	1	Hexagon Nut M25x1,5	
37	909100019	1	Moer verzinkt M20x1,5	
38	909100043	1	Kabelschroeven W. Antibuc.	

## Part Notes:

- [1] - MH5M-100/760 UK, MH5M-200/960 EU, MH5M-210/1100 EU,  
MH6P-175/1250 EU, MH6M-200/1300 EU, MH7P-180/1260 EU
- [2] - MH5M-210/1100 NO, MH7P-180/1260 NO, MH8P-180/2000 EU
- [3] - MH5M-210/1100 EXP, MH6P-200/1300 NO, MH6P-210/1100 JP, MH6P-210/1300 EXP, MH7P-180/1260 JP
- [4] - TSB-PPW-2018-014 MH models Software update  
DE TSB-PPW-2018-014 MH-Modele Software Update
- [5] - 1ph
- [6] - 1ph  
  
TSB-PPW-2018-003 MH\_MC change of start relay and run capacitor  
TSB-PPW-2018-003 MH\_MC Changement du relais de démarrage et du condensateur de fonctionnement
- [7] - TSB-PPW-2018-004 Boiler cannot start - no ignition  
FR TSB-PPW-2018-004 Le bruleur ne démarre plus  
DE TSB-PPW-2018-004 Brenner startet nicht - keine Zündung
- [8] - MH5M-100/760 UK
- [9] - MH 5M-210/1100 EXP+NO, MH6P-200/1300 EXP+NO, MH7P-180/1260 NO
- [10] - MH6P-210/1100 JP, MH7P-180-1260 JP
- [11] - MH5M-200/960 EU, MH5M-210/1100 EU, MH6P-175/1250 EU, MH6P-200/1300 EU, MH7P-180/1260 EU

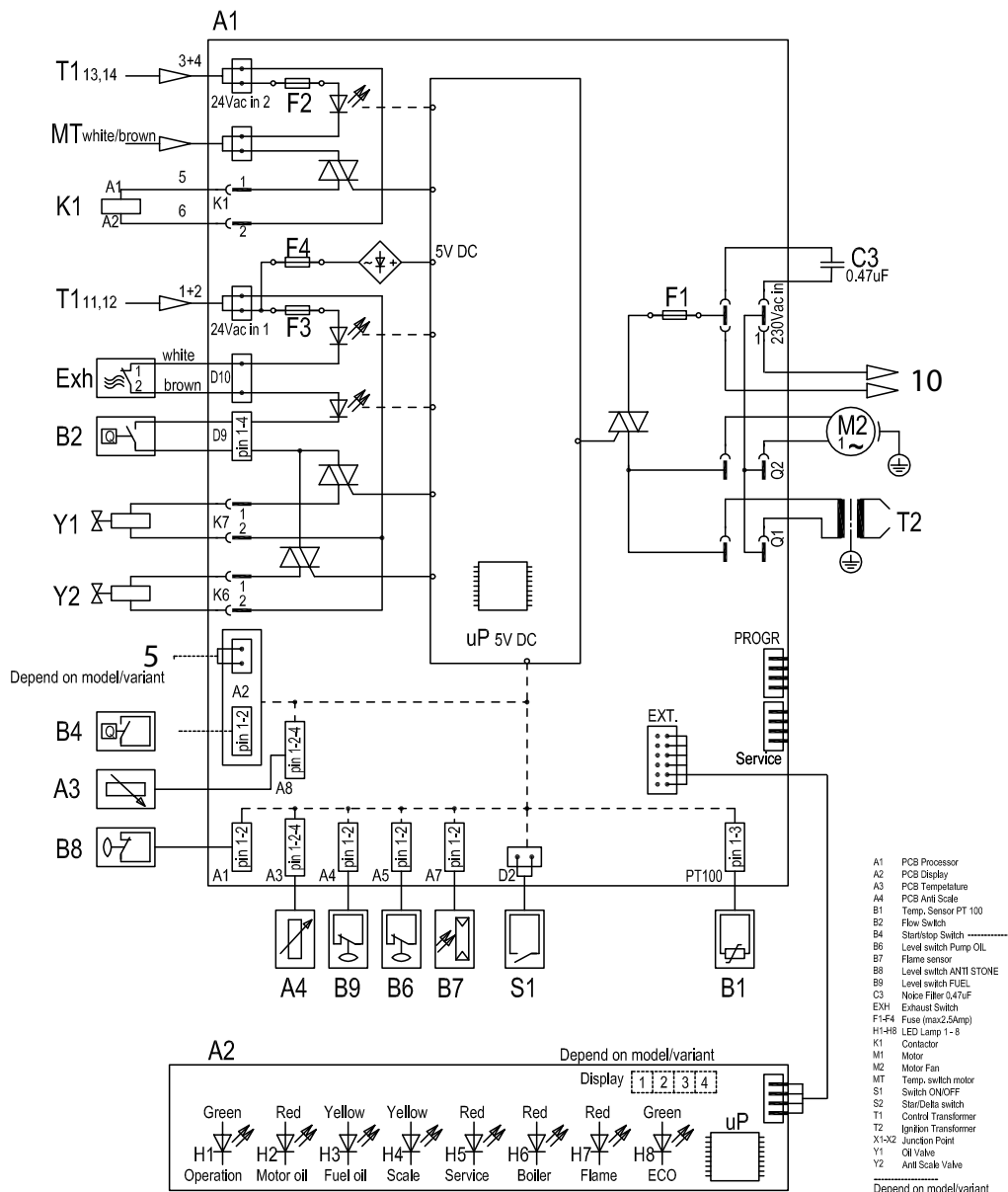




Pos.	Artikelnummer	Hoeveelheid	Omschrijving	Notes
1	107141838	1	SCREW K50X18 WN1451 BLACK TORX20	
2	301000782	1	Deksel 128,2x112,5x31,7 f . Kle	
3	107143069	1	BORNIER WAGO 2 POLES	
4	107143073	1	PCB SWITCH STAR/DELTA	
5	101117739	2	SCREW HEX M4X22-8.8 A2K DIN912	
6	64580	1	Draaiknop	[1]
7	107143074	1	E-BOX	
8	3803764	2	Rubber seal set 5-7c	
9	3803772	1	RubberBus Tet 7-10C	
10	107143071	1	Motor Kabel 5G2.5 Voor Star/Delta	

## Part Notes:

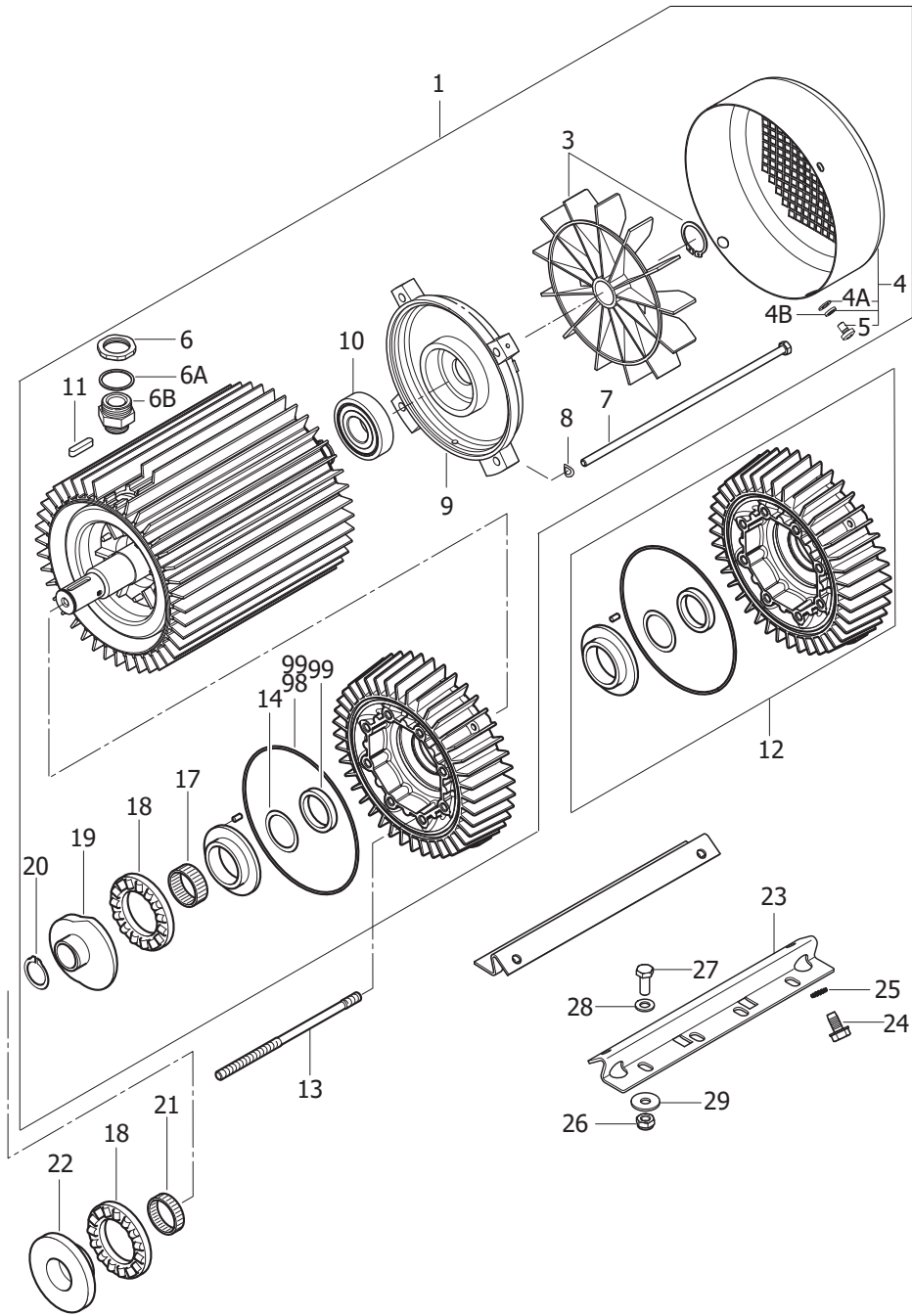
- [1] - TSB-PPW-2016-007 Rotary knob for Voltage selector switch 230V-400V must be sealed with lacquer  
 DE TSB-PPW-2016-007 Drehknopf des Spannungsauswahlschalters 230V-400V muss mit Lack versiegelt werden



Pos.	Artikelnummer	Hoeveelheid	Omschrijving	Notes
T1	107143052	2	Kabel Vermogen Transformer Sec 6 X 0.75	
MT	107143070	1	Kabel Voor MT	
K1	107143052	1	Kabel Vermogen Transformer Sec 6 X 0.75	
Exh	107143055	1	Kabel Voor Hot Water Mode En Exh. Switch	
B2	107143121	1	Reed Switch No W/Kabel	
Y1	107143095	1	CABLE FOR SOLENOID VALVE 2X0.5	
Y2	107143037	1	DOSING VALVE RPE 24VAC	
5	101118188	1	MICRO-SWITCH KIT	[1]
B4	107143121	1	Reed Switch No W/Kabel	[2]
A3	107143043	1	Kabel Voor Temperature Adjustment	
B8	101118214	1	FLOAT SWITCH KIT	
A4	107143038	1	Kabel Voor Adjustment Anti Scale	
B9	107143033	1	LEVEL SENSOR FUEL TANK	
B6	101118173	1	OIL SENSOR W/PLUG KIT	[3]
B7	107143100	1	Vlam Sensor met Kabel	
S1	107143055	1	Kabel Voor Hot Water Mode En Exh. Switch	
B1	107143083	1	Temperatuur Sensor Pt100 W/Kabel	
A2	107143053	1	Kabel Voor Ui	
T2	107143098	1	Primary Kabel Voor ontstekings spoel	
M2	107143096	1	MOTOR BURNER - 0.23KW/230V/50HZ/1PH	[4]
M2	107143097	1	MOTOR BURNER 390W/200-240V/50/60HZ	[5]
10	107143054	1	WIRE BLACK L=400	
C3	101117867	1	NOISE FILTER KIT	

## Part Notes:

- [1] - NA5 PA
- [2] - FA
- [3] - MI 107309166 JST Connector
- [4] - MH 5M-210/1100 FA 400/3/50 Gerni, MH 5M-210/1100 FAX 400-230/3/50 NO, MH 6P-175/1250 FAX 400/3/50 EUMH 6P-200/1300 FAX 400/3/50 EU, MH 7P-180/1260 FA 400/3/50 EU
- [5] - MH 5M-210/1100 FA 440-220/3/60 EXPT, MH 6P-210/1100 FA 200/3/50-60 JP, MH 6P-195/1350 FA 440-220/3/60 EXPT, MH 7P-180/1260 FA 200/3/50-60 JP



Pos.	Artikelnummer	Hoeveelheid	Omschrijving	Notes
	31001229	1	OIL ISO 150 ALPHASYN-T 20L	
0	5218433	1	Pompolie 150 1 x 1Ltr. Alphasyn.	
1	101118225	1	MOTOR 6.5KW 200 3 60 KIT	
1	101118226	1	MOTOR 6.5KW 400 415 230 3 50 KIT	
1	101118227	1	MOTOR 6.5KW 200 3 50 KIT	
2		1	Shaft retaining ring Ø28x1.2	
3	107142275	1	FAN AND RETAINING RING	
4	107142276	1	COVER FOR FAN	
4A		4	Plain washer M5 DIN125A galv	
4B		4	Lock washer M5 DIN 7980 A zinc plated	
5	1813781	2	SCREW M5X8	
6	20862	1	Dopmoer	
6A	103004340	1	PAKKING 1 INCH	
6B	107302152	1	BUSH G1 AG/G3/4	
7	31000493	4	STAY BOLT 306 MM	
8	1801182	4	Keerring M8 (14649)	
9	107142277	1	REAR BEARING COVER	
10	31000149	1	Kogellager 6306 2Z C3 150 GRADEN RF	
11	3200672	1	Sleutel 6x6x32	
12	107140615	1	FRONT BEARING COVER COMPLETE	
13	6301368	8	Draadeind	
14	6100995	1	Schijf	
17	3200656	1	Lager	
18	3200615	2	Lager	
19	107120710	1	Tuimelschijf 6	[1]
19	107120716	1	Wobble disk 12	[1]
20	1802511	1	Borgring	
21	3200664	1	Naaldlager	
22	107120704	1	Lagerschijf	[1]
23	107142071	2	MOTOR BRACKET C3 POSEIDON 7	
24	107140908	4	SPECIAL SCREW M10x20 F. C3 BRACKET SPARE	
25	10204	8	SERRATED LOCK WASHER A10	
26	8952	4	HEX M10 LOCK NUT NYLON INSERT ISO 10511	
27	1801133	4	SCREW M10X25 ISO4017 ZN	
28	2767	4	Ringetje	
29	4827	4	WASHER 10.5X2.5	
98	1119820	1	Olieafdichtingset 03K/C3K	
99	1119570	1	Reparatieset MPS/C3	

Part Notes:

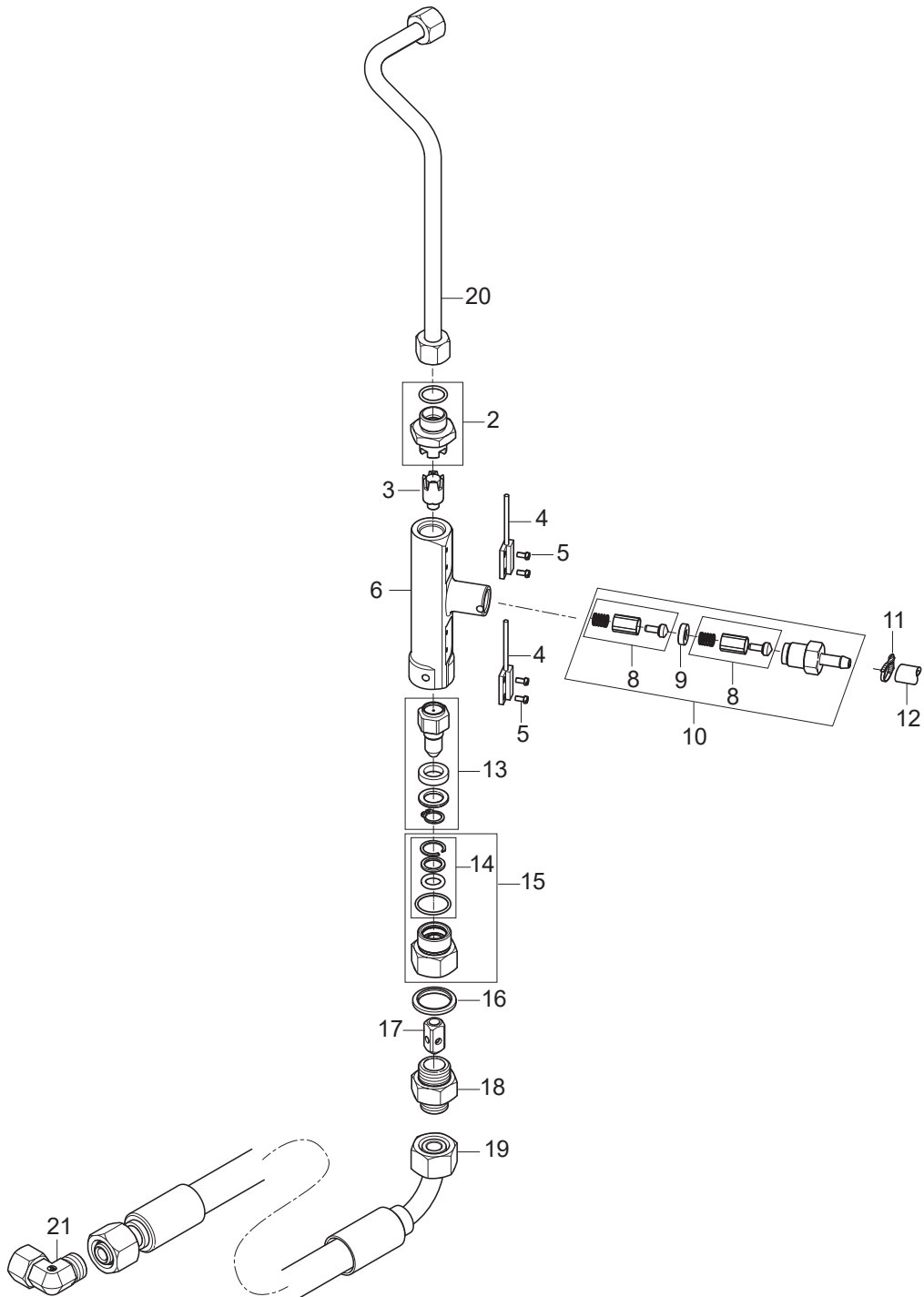
[1] - TSB-PPW-2019-007 C3 NA6 Wobble Disc and Bearing Track surface hardening change



Pos.	Artikelnummer	Hoeveelheid	Omschrijving	Notes
	31001229	1	OIL ISO 150 ALPHASYN-T 20L	
0-	5218433	1	Pompolie 150 1 x 1Ltr. Alphasyn.	[1]
1	107141609	1	PLATE FOR ADAPTOR FOR OIL CONTAINER C3	
2	107140881	2	Vijs M5X12 DIN 7985 TORX	
3	107140877	1	TOP OLJETANK	
4	101118173	1	OIL SENSOR W/PLUG KIT	
5	107143094	1	OIL CONTAINER BOTTOM	
6	107140882	1	O-ring 15.0 X 3.0 SMS 1586 NBR70	
7	107141610	1	Vijs C3	
8	6100718	8	Ring	
9	6100719	8	drukkring	
10	6301368	8	Draadeind	
11	1800465	8	Moer M10 (ook 4826)	
12	1802529	4	Borgring	
13	6100666	4	Ring v. terugslagveer	
14	6301166	4	Keramische plunjers	
15	102602517	4	Terugslagveer C3	
16	6100610	1	Cylinderblok	
17	107120700	4	Drukkring	
17	101119850	1	Kit Thruststring & Back-up	[2]
18	107120701	1	Cylinder kop C3	
19	6300071	1	Cylinderblok compleet 03K S	
20	6150400	1	Stop	
21	106408208	1	Koperen dichtring 17X25X1.5	
22	107142593	1	Borgring clip	
23	101406054	1	Spons Rubber O4 L 1 M	
96	1119310	1	Reparatieset kleppen 02/A2/03	
97	1119571	1	Rep.set voor afdichting M PS/C3	
98	1119820	1	Olieafdichtingset 03K/C3K	
99	1119570	1	Reparatieset MPS/C3	

## Part Notes:

- [1] - 1,1 l. - OIL TYPES\_QUANTITY for HPW\_APRIL 2017  
 [2] - Supporting ring metal

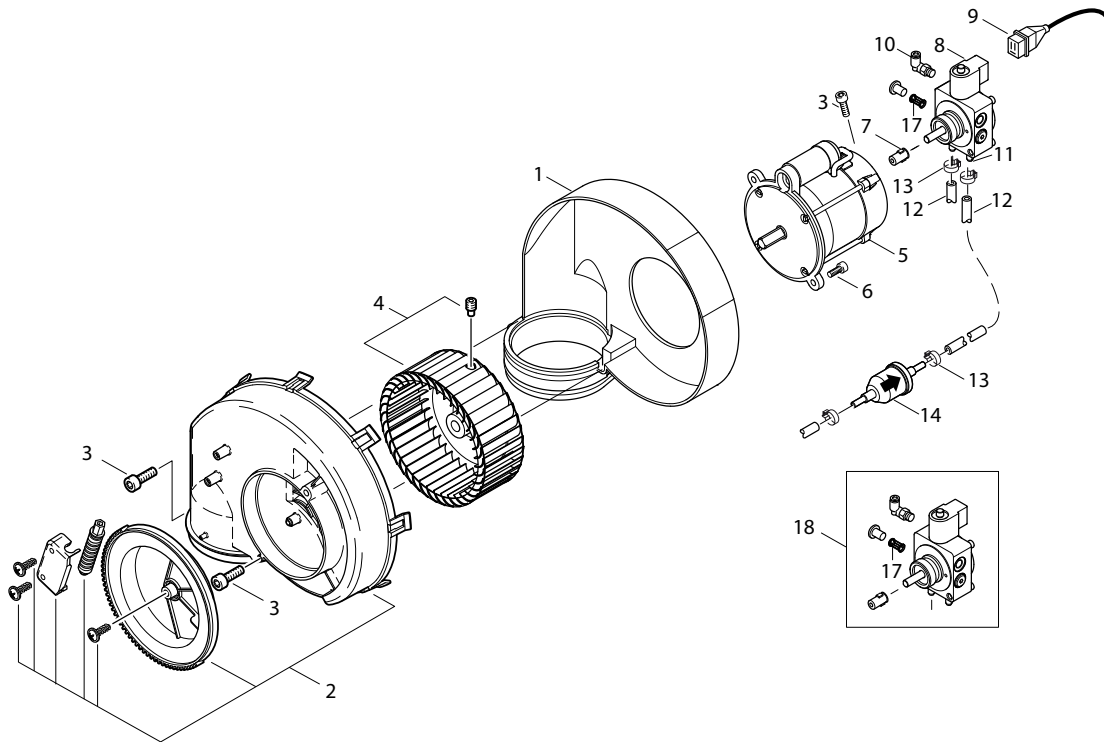




Pos.	Artikelnummer	Hoeveelheid	Omschrijving	Notes
2	101118190	1	MALE STUD M18X1.5 KIT	
3	101118055	1	MAGNET AND HOUSE FOR FLOW SWITCH-KIT NA6	
4	107143121	2	Reed Switch No W/Kabel	
5	101118033	4	Bout M3X6 BRASS DIN 84 ISO 1207 KIT	
6	101118308	1	FLOW CONTROL HOUSING FA	
8	1119566	2	Rep.set terugslagklep	
9	6201535	1	Zitting voor kontraventie I	
10	1119318	1	Rep.set terugsl. ventiel	
11	11654	2	Slangklemmen D-11,5	
12	101406100	0.92	HOSE DN 6X3 5M	
13	101117896	1	NON RETURN VALVE W/MAGNET	
14	101118191	1	SEALING KIT FOR MALE STUD	
15	101118230	1	MALE STUD F.NON-RET.VALVE 1/2"-M22X1-K	
16	1807932	1	SELF-SEALING WASHER	
17	6101038	1	Zuiger v. terugslagventiel	
18	107143155	1	Pistool behuizing 1/2 inch-M18X1,5 inch	
19	107143171	1	HP Hose DN10 3/8 DKL/DKL 90DEG M18X1.5	
20	107143172	1	PIPE FLOW CONTROL NA6-NA6+C3/B7	
21	101118094	1	Koppeling Haaks ISO 8434 M18X1.5	
19+20+21	101118293	1	HP SLANG- EN AANSLUITINGSLANGKIT	[1]

## Part Notes:

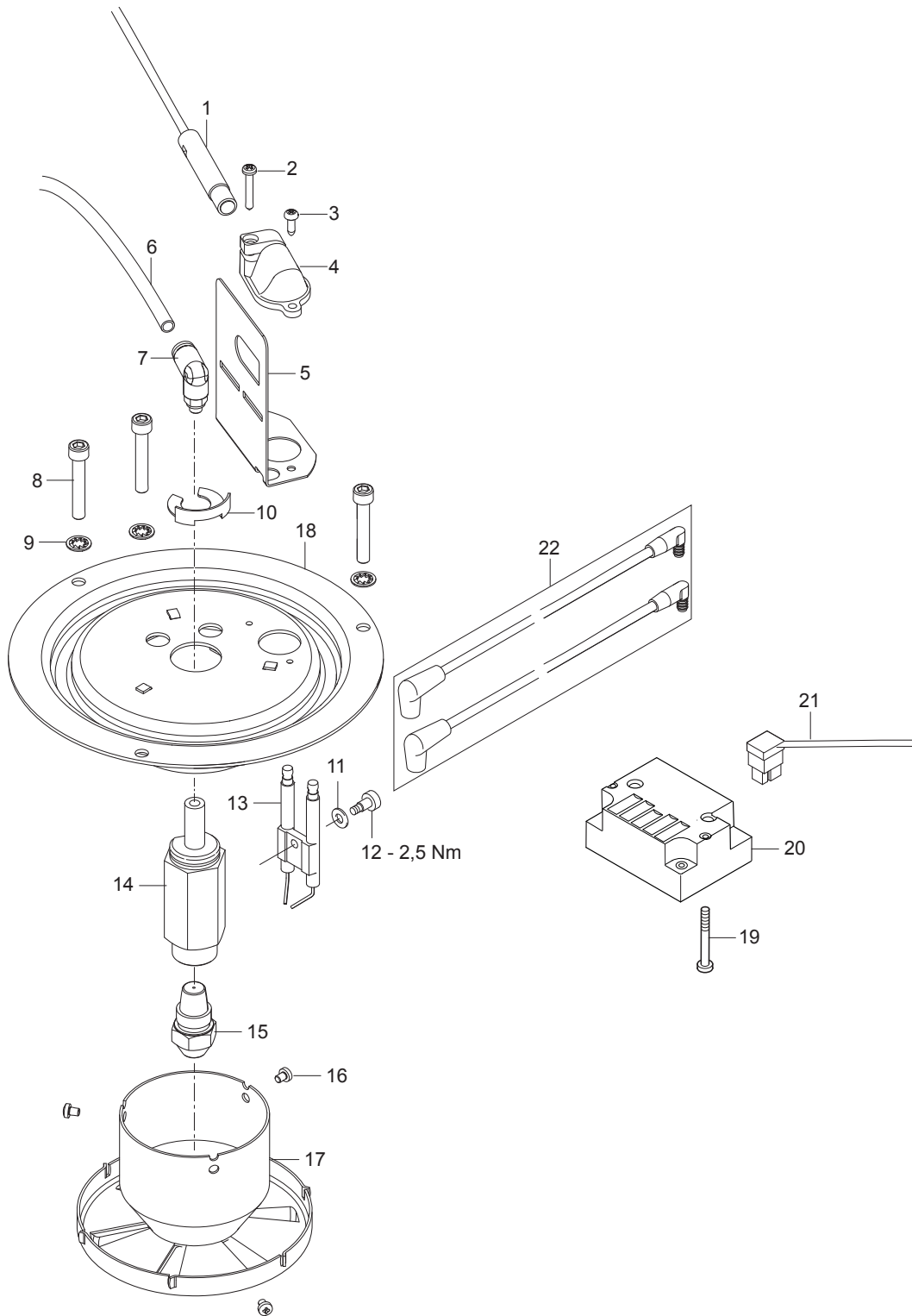
- [1] - TSB-PPW-2018-005 MH 6\_MH 7 Pipe to flow control changed  
 DE TSB-PPW-2018-005 MH 6 MH 7 Hochdruckleitung zu der Flusststeuerung wir...  
 TSB-PPW-2018-005 MH6 et 7P, nouveau tube pour le controleur de débit



Pos.	Artikelnummer	Hoeveelheid	Omschrijving	Notes
1	301000495	1	Housing	
2	301000852	1	Ventilatorkap brander Solar	
3	32535	3	Bout M5 x 16	
4	301000889	1	Fan Wiel 160x60	[1]
4	301002126	1	Spanring Ø 18	[2]
5	107143096	1	MOTOR BURNER - 0.23KW/230V/50HZ/1PH	[1]
5	107143097	1	MOTOR BURNER 390W/200-240V/50/60HZ	[2]
6	4697	2	Kop schroef M6 x 16 IS	
7	101117707	1	Koppeling voor oliepomp BFA 01 L3L	
8	3821089	1	Spoel danfoss	
9	107143095	1	CABLE FOR SOLENOID VALVE 2X0.5	
10	101117706	1	PUSH-IN ANGLE FITTING	
11	101117777	1	HOSE CONNECTIONS FOR OIL PUMP BFA 01 L3	
12	106408244	1	HOSE D6X2.5 - 5 METERS	
13	301001133	2	Slangklem 10/7	
14	301002926	1	Filter	
17	31001081	1	FILTER FOR OIL PUMP	
18	101117673	1	Olie Pomp incl. Fittings	

## Part Notes:

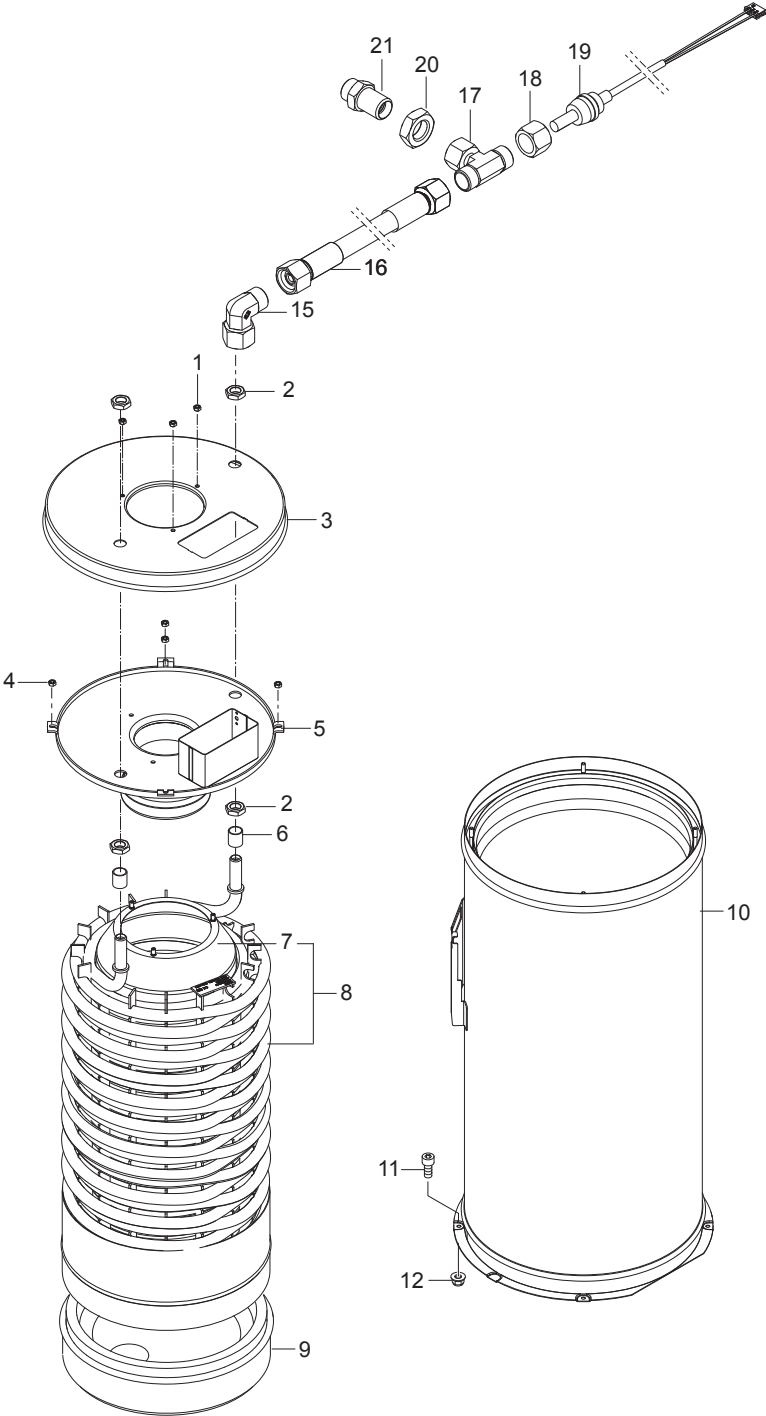
- [1] - MH 5M-210/1100 FA 400/3/50 Gerni, MH 5M-210/1100 FAX 400-230/3/50 NO, MH 6P-175/1250 FAX 400/3/50 EUMH 6P-200/1300 FAX 400/3/50 EU, MH 7P-180/1260 FA 400/3/50 EU
- [2] - MH 5M-210/1100 FA 440-220/3/60 EXPT, MH 6P-210/1100 FA 200/3/50-60 JP, MH 6P-195/1350 FA 440-220/3/60 EXPT, MH 7P-180/1260 FA 200/3/50-60 JP



Pos.	Artikelnummer	Hoeveelheid	Omschrijving	Notes
1	107143100	1	Vlam Sensor met Kabel	
2	5606	1	Sheet metal screw	
3	4036	1	Schroef 2.9x9,5	
4	301000934	1	Houder vlamsensor	
5	107143101	1	SHIELD FOR FLAME SENSOR	
6	909100141	1	Brandstofslang 4x1 mm x 1 m	
7	101117913	1	ELLEBOOG 4/M5 AUTOFIX	
8	3873	3	Schroef M5x30	
9	3376	3	O-Ring 5,3	
10	101117876	1	Circlips	
11	909100144	1	Schijf B5 din 137	
12	909100143	1	Schroef M4x4,5	
13	301150009	1	Ignition electrode kit	
14	101117915	1	Brandstofnozzle houder	
15	301001068	1	Olienozzle 1,35 60 graden	[1]
15	301000886	1	Olienozzle 1,75 60 graden	[2]
15	101118013	1	Fuelsproeier	[3]
16	51848	3	Schroef LI M3X4 7985 ZN	
17	301001834	1	Verdelerschijf NEPTUNE 5	[4]
17	301001833	1	Verdelerschijf NEPTUNE 7	[3]
18	301000606	1	Cover 150 x 38	[5]
19	909100149	2	Schroef K50X50 T25 WN1453	
20	101117759	1	Ignition transf. 220-240-50-60-Danfoss	[6]
21	107143098	1	Primary Kabel Voor ontstekings spoel	
22	101118220	1	2 X IGNITION CORDS KIT	

Part Notes:

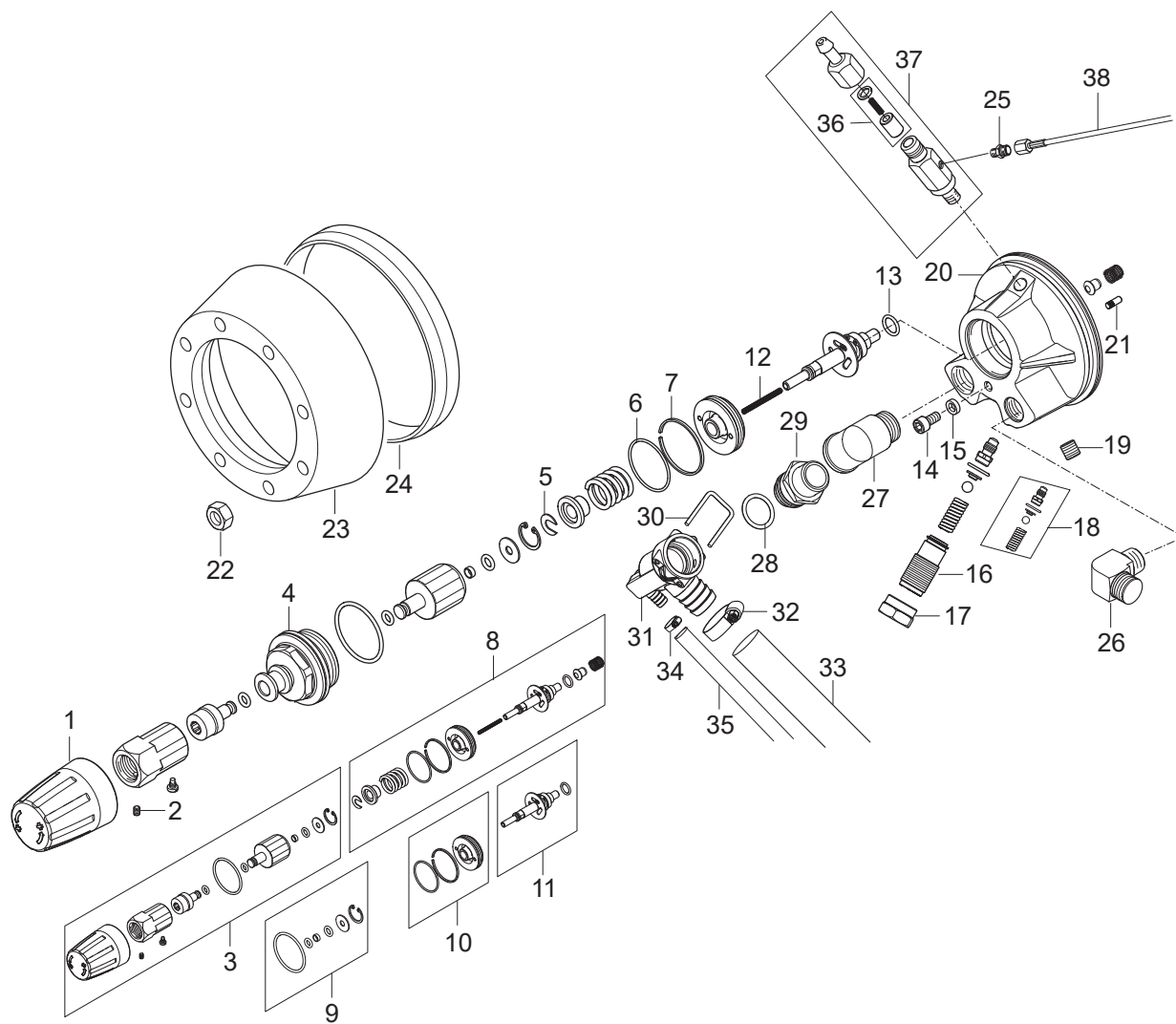
- [1] - MH 5M-100/760 UK
- [2] - MH5M, MH6P-210/1100 JP,  
not MH 5M-100/760 PA
- [3] - MH6, MH7, MH8  
not MH6P-210/1100 JP
- [4] - MH5M, MH6P-210/1100 JP
- [5] - MH5, MH6, MH7, MH8
- [6] - TSB-PPW-2018-004 Boiler cannot start - no ignition  
FR TSB-PPW-2018-004 Le bruleur ne démarre plus  
DE TSB-PPW-2018-004 Brenner startet nicht - keine Zündung



Pos.	Artikelnummer	Hoeveelheid	Omschrijving	Notes
0	107144780	1	HEAT EXCHANGER B7 SS, MH	
1	3136	3	Moer	
2	7012	4	MOER M 18 X 1,5	
3	31001162	1	OUTER BOILER TOP B5 - B7	
4	12263	4	Hexagon Nuts	
5	31001166	1	INSIDE BOILER TOP CPL. B7	
6	301000582	2	Bus	
7	301000541	1	BRANDERPIJP NEPTUNE 5+7 INCH	
8	31001167	1	COIL WELDED B7	
8	107143300	1	COIL B7 INOX	[1]
9	301000916	1	Isolatie	
10	31001168	1	JACKET CPL. B7	
11	4697	2	Kop schroef M6 x 16 IS	
12	11619	2	Schroef M 6	
15	101118094	1	Koppeling Haaks ISO 8434 M18X1.5	
16	106268112	1	HP HOSE DN10 L625MM SPARE PART	
17	101118093	1	T koppeling M18 x 1.5 draad	
18	1081	1	Knelmoer M12 verzinkt	
19	107143083	1	Temperatuur Sensor Pt100 W/Kabel	
20	1803220	1	Moer M 18 x 1.5	
21	107143082	1	Uitlaatkoppeling	

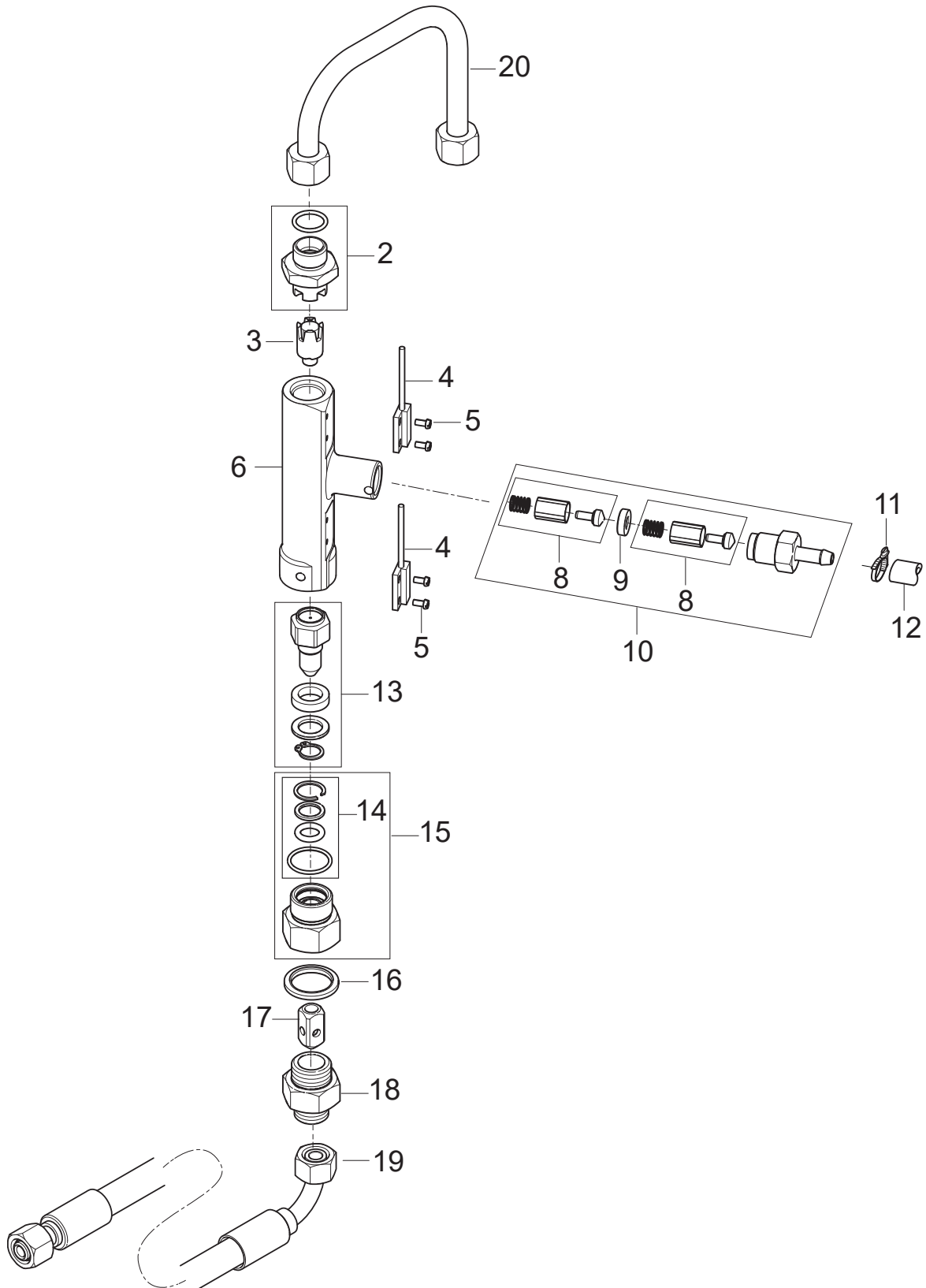
## Part Notes:

- [1] - TSB-PPW-2017-011 Stainless Steel heat exchangers new stay material and new spare part numbers





Pos.	Artikelnummer	Hoeveelheid	Omschrijving	Notes
1	107143183	1	REGULATOR KNOB C3 NILFISK	
2	1802602	1	Bout M4x6	
3	101118115	1	Waterregeling KIT C3	
4	6100984	1	Bus voor spindel	
5	6101069	1	Zekeringsring	
6	3001716	1	O-Ring 35.1x1.6	
7	6101061	1	Zuigerring	
8	1118580	1	Rep.set omloopventiel	
9	101119410	1	Rep.set pakking	
10	6100925	1	Ventielzuiger	
11	6400143	1	Ventielkegel	
12	2600286	1	veer DM = 2,9	
13	3000460	1	O-Ring 11.0x2.0	
14	3913	1	INNEN SKT-SCHR.M 6X 12 VE R	
15	6100985	1	keerring	
16	6100940	1	Moer	
17	6100928	1	moer	
18	1118512	1	Reparatieset overdrukventiel	
19	1602333	1	PLUG 1/8 INCH	
20	6101042	1	Ventieldeksel	
21	6100996	1	Pen	
22	1800465	8	Moer M10 (ook 4826)	
23	6100602	1	Spanband	
24	6301392	1	Afstandsring	
25	1821	1	Koppeling XGE 6LR 1/8	
26	1600444	1	Nippel	
27	101118178	1	ELBOW MALE/FEMALE 1/2X1/2 BRASS KIT	
28	107143088	1	O-RING 18.72X2.62	
29	107143150	1	WATER INLET MPU C3	
30	107143085	1	LOCK PIN	
31	107143143	1	WATER LIMITER XL	
32	8298	2	Slangklem 16-27	
33	107143031	1	FUELFLEX HOSE D28/D20 10BAR/20°	
34	11654	1	Slangklemmen D-11,5	
35	106408243	1	Doorzichte slang 1/4-5 m	
36	1119317	1	Rep.set afblaasventiel	
37	6220596	1	Ontluchtingventiel compl. C3VA	
38	60141	1	HD-slang DN2X0.80M (33179 )	



Pos.	Artikelnummer	Hoeveelheid	Omschrijving	Notes
2	101118190	1	MALE STUD M18X1.5 KIT	
3	101118055	1	MAGNET AND HOUSE FOR FLOW SWITCH-KIT NA6	
4	107143121	2	Reed Switch No W/Kabel	
5	101118033	4	Bout M3X6 BRASS DIN 84 ISO 1207 KIT	
6	101118308	1	FLOW CONTROL HOUSING FA	
8	1119566	2	Rep.set terugslagklep	
9	6201535	1	Zitting voor kontraventie I	
10	1119318	1	Rep.set terugsl. ventiel	
11	11654	2	Slangklemmen D-11,5	
12	101406100	0.92	HOSE DN 6X3 5M	
13	101117896	1	NON RETURN VALVE W/MAGNET	[1]
14	101118191	1	SEALING KIT FOR MALE STUD	
15	101118230	1	MALE STUD F.NON-RET.VALVE 1/2"-M22X1-K	
16	1807932	1	SELF-SEALING WASHER	
17	6101038	1	Zuiger v. terugslagventiel	
18	107143155	1	Pistool behuizing 1/2 inch-M18X1,5 inch	
19	107143171	1	HP Hose DN10 3/8 DKL/DKL 90DEG M18X1.5	[2]
20	107143188	1	PIPE FLOW CONTROL NA6/B5	[3]
19+20	101118322	1	HP HOSE AND CONNECTION PIPE NA6/B5 KIT	

## Part Notes:

- [1] - TSB-PPW-2016-012 MH 4M FA None return valve 101117896 get stocked  
 DE TSB-PPW-2016-012 MH 4M FA Strömungskolben 101117896 blockiert
- [2] - MH5, MH 6P-175/1250, MH 6P-210/1100
- [3] - MH5, MH 6P



Pos.	Artikelnummer	Hoeveelheid	Omschrijving	Notes
1	106403154	1	ERGO 2000 SPRAY GUN W/O LOGO ACC.	[1]
3	106403011	1	TornadoPlus 1000 gebogen	[2]
4	61369	1	Slang nozzle 20R 3/4	
5	101119748	1	TornadoPlus nozzel 0700 1/ 8 inch	
6	6101767	1	Hogedrukslang 3/8 inch non-marking 10 m	[3]
7	1401991	1	Hogedrukslang 3/8 inch non-marking 20 m	[4]
	106403196	1	REMOTE CONTROL 2X DETERGENT ACCESSORY	

## Part Notes:

- [1] - ERGO 2000 Spray handle
- [2] - TORNADO PLUS lance
- [3] - MH6, MH7without hose reel  
HOSES Overview
- [4] - Accessory - with hose reel (X-tra)  
HOSES Overview

