

# PARTS LIST

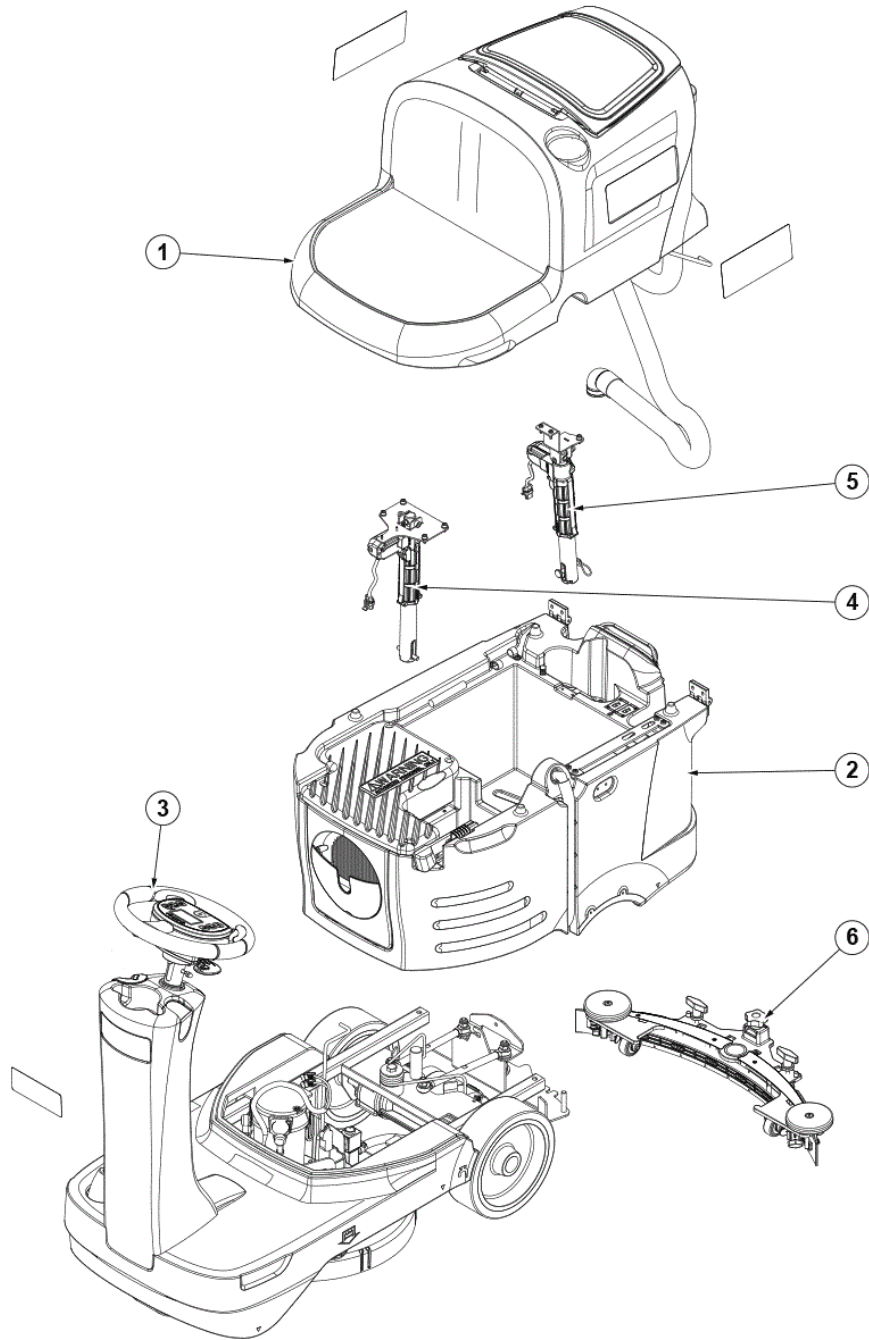


2021.04.02

# TABLE OF CONTENTS

---

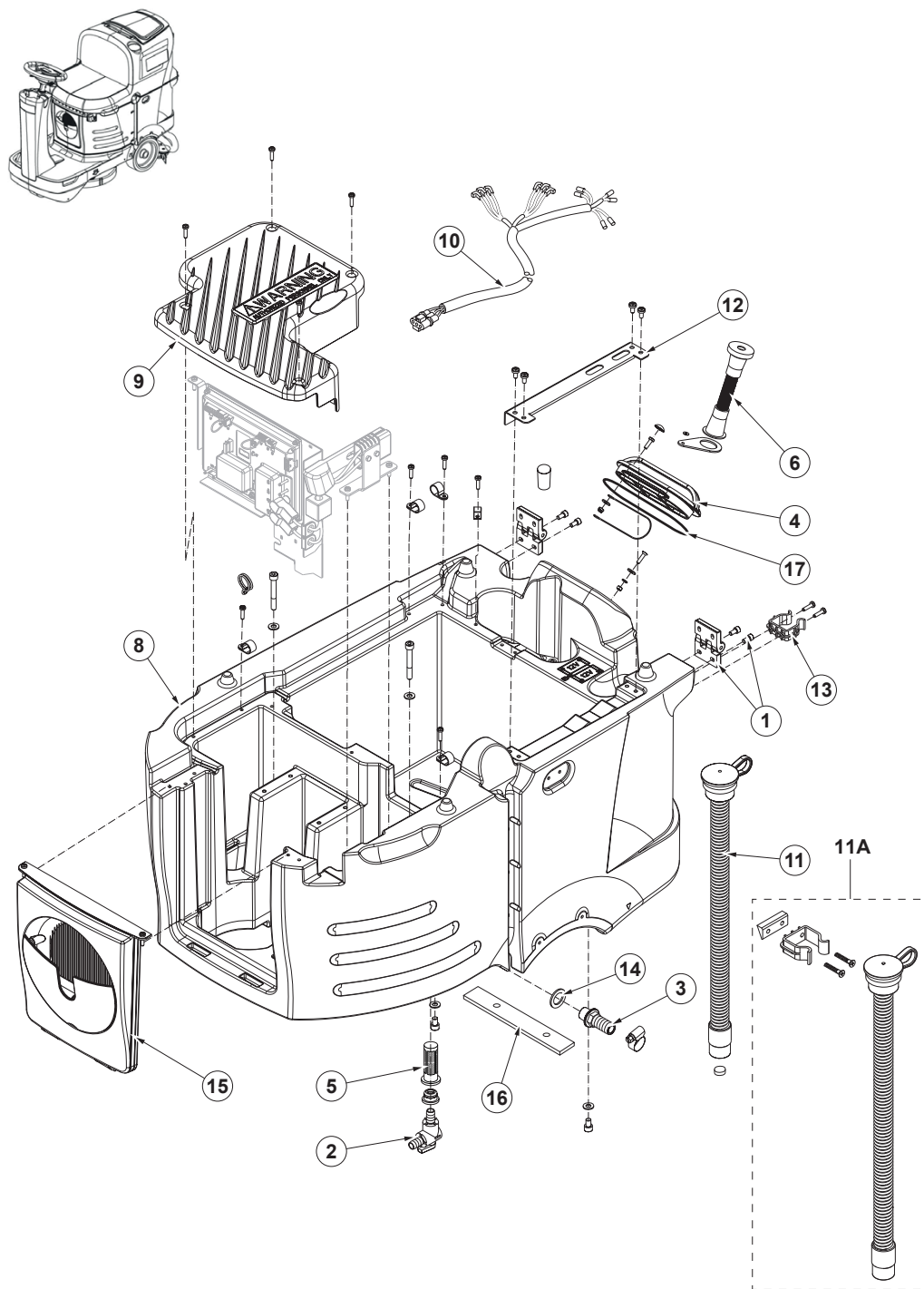
|  |    |
|--|----|
| PL GENERAL VIEW .....                                    | 1  |
| PL SOLUTION TANK .....                                   | 3  |
| PL RECOVERY TANK .....                                   | 5  |
| PL FOOTBOARD, COLUMN AND KEY SYSTEM .....                | 7  |
| PL CHASSIS SYSTEM .....                                  | 9  |
| PL MOTOR DRIVE .....                                     | 11 |
| PL FRONT WHEEL SYSTEM .....                              | 13 |
| PL STEERING COLUMN SYSTEM .....                          | 15 |
| PL STEERING WHEEL SYSTEM .....                           | 17 |
| PL SOLUTION SYSTEM .....                                 | 19 |
| PL ACTUATORS .....                                       | 21 |
| PL SQUEEGEE SYSTEM .....                                 | 23 |
| PL BRUSH DECK .....                                      | 25 |
| PL ELECTRICAL SYSTEM .....                               | 27 |
| ECOFLEX SYSTEM (Model No.: 9087410020, 9087411020) ..... | 29 |
| PL BATTERY CHARGER .....                                 | 31 |
| PL ACCESSORIES 01 .....                                  | 33 |
| PL ACCESSORIES 02 .....                                  | 35 |
| PL ACCESSORIES 03 .....                                  | 37 |
| WIRING DIAGRAM (Model No.: 9087410020, 9087411020) ..... | 39 |
| PL RECOMMENDED PARTS .....                               | 41 |



| Pos. | Artikelnummer | Hoeveelheid | Omschrijving                  | Notes |
|------|---------------|-------------|-------------------------------|-------|
| 1    |               | 1           | RECOVERY ASSEMBLY             | [1]   |
| 2    |               | 1           | SOLUTION NILFISK ASSEMBLY     | [2]   |
| 3    |               | 1           | BODY MACHINE NILFISK ASSEMBLY | [3]   |
| 4    |               | 1           | ACTUATOR FRONT ASSEMBLY       | [4]   |
| 5    |               | 1           | ACTUATOR REAR ASSEMBLY        | [4]   |
| 6    |               | 1           | SQUEEGEE ASSEMBLY             | [5]   |
| NS   | 9100002758    | 1           | DECALS NILFISK SC2000 KIT     |       |

## Part Notes:

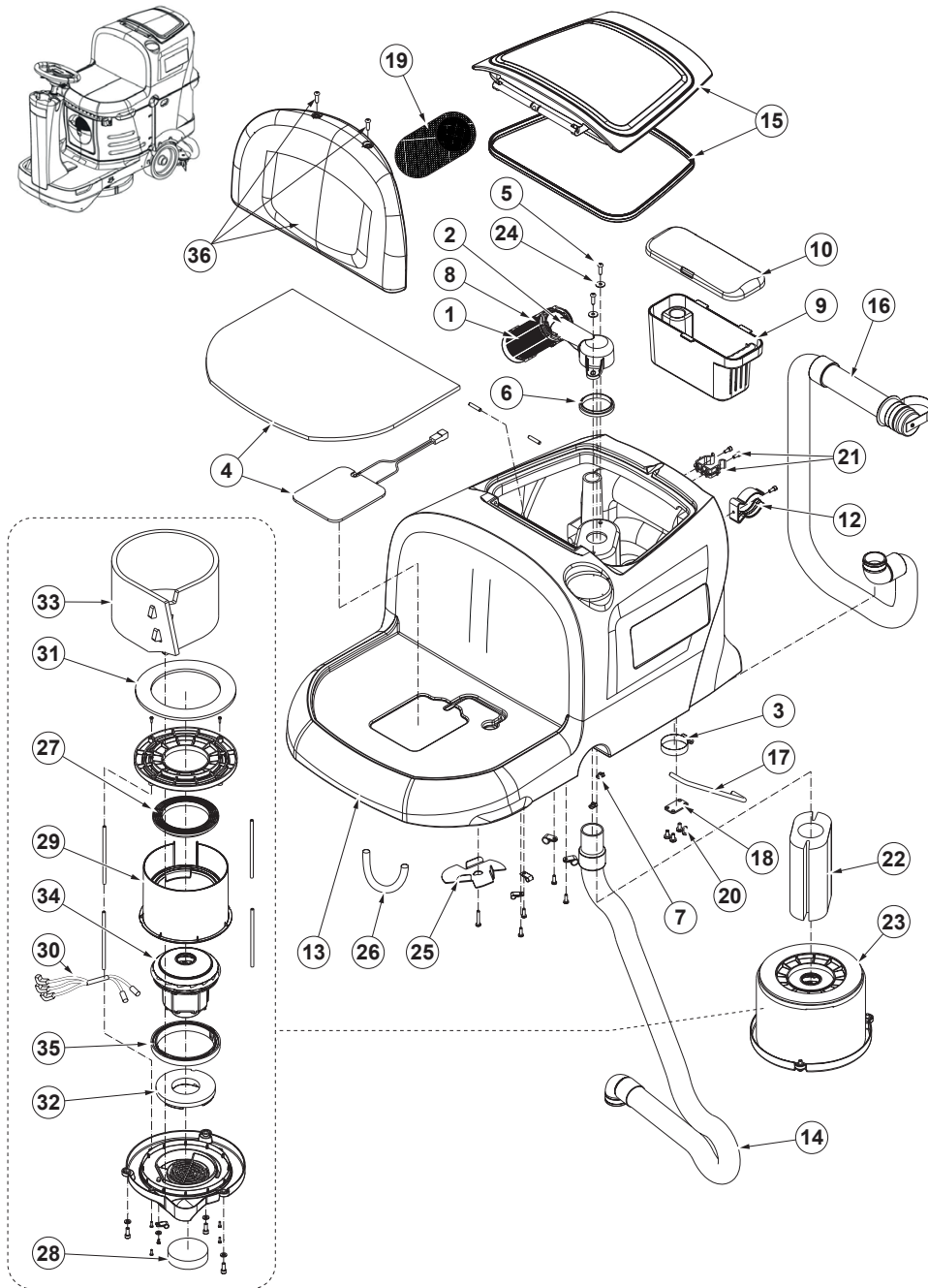
- [1] - PL RECOVERY TANK
- [2] - PL SOLUTION TANK
- [3] - PL CHASSIS
- [4] - PL ACTUATORS
- [5] - PL SQUEEGEE SYSTEM



| Pos. | Artikelnummer | Hoeveelheid | Omschrijving                             | Notes |
|------|---------------|-------------|--|-------|
| 1    | 9098329000    | 1           | Hinges kit                               |       |
| 2    | 9100000803    | 1           | Waterkraan haaks                         |       |
| 3    | 9100000574    | 1           | BARB HOSE STRAIGHT D.19.8 G1/2 PLAST KIT |       |
| 4    | 1465355000    | 1           | CAP SOLUTION TANK KIT                    |       |
| 5    | 9100001353    | 1           | FILTER SOLUTION TANK PKD                 | [1]   |
| 6    | 9100000952    | 1           | Vulslang                                 | [2]   |
| 8    | 9100001753    | 1           | TANK SOLUTION 70L PLAST. GREY KIT        | [3]   |
| 8    | 9100001752    | 1           | TANK SOLUTION 70L PLAST. GREY SIP        |       |
| 9    | 9100001102    | 1           | Deksel batterijlader                     |       |
| 10   | 9100001120    | 1           | HARNESSTANK SIP                          |       |
| 11A  | 9100002981    | 1           | HOSE WATER LEVEL W/CAP KIT               | [4]   |
| 11   | 9100001578    | 1           | HOSE FRESH WATER LEVEL KIT               | [5]   |
| 12   | 9100001129    | 1           | SUPPORT F SAFETY BAR SIP                 |       |
| 13   | 9100001164    | 1           | CLAMP HOSE D.40 BLACK KIT                |       |
| 14   | 9100001139    | 2           | GASKET RUBBER D.21X33X2.5 BLACK SIP      |       |
| 15   | 9100001182    | 1           | COVER FUNCTIONS CARD KIT                 |       |
| 16   | 9100001150    | 1           | PROTECTION RUBBER ADHESIVE F TANK SIP    |       |
| 17   | 9100001370    | 1           | O-RING F. HEPA/ULPA FILTER SIP           |       |

Part Notes:

- [1] - OPTIONAL
- [2] - AI 9100001072 - KIT 9100000952
- [3] - Before S/N 3510161103625
- [4] - TSB-FC-2019-031 SC2000 hose solution fall off  
 DE TSB-FC-2019-031 SC2000 Ablassschlauch fällt aus der Tankhalterung  
 INSTALLATION INSTRUCTION FOR 9100002981 KIT
- [5] - SEE INST. INSTR. 9100001577  
 TSB-FC-2019-031 SC2000 hose solution fall off  
 DE TSB-FC-2019-031 SC2000 Ablassschlauch fällt aus der Tankhalterung

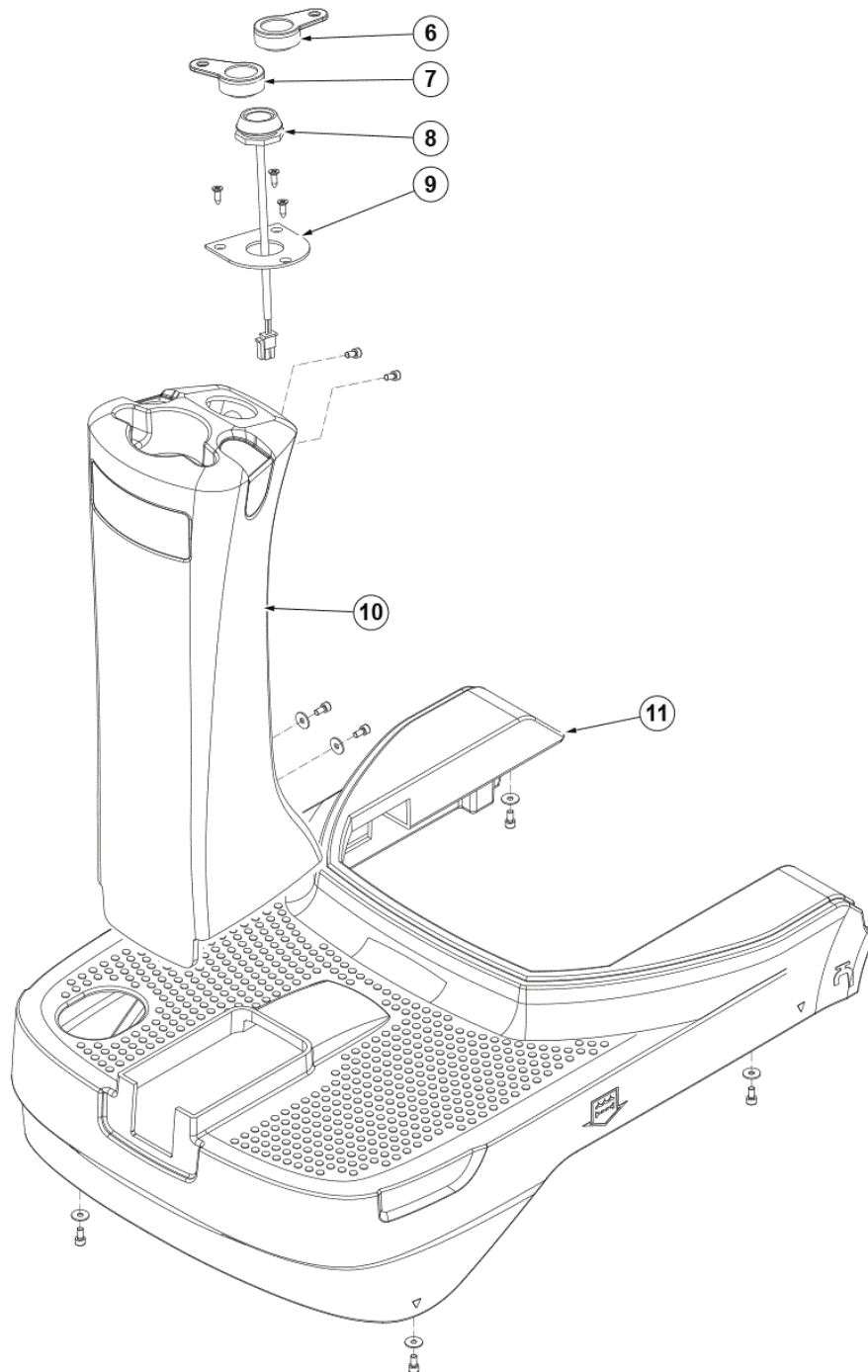


| Pos. | Artikelnummer | Hoeveelheid | Omschrijving                           | Notes |
|------|---------------|-------------|--|-------|
| 1    | 9100000817    | 1           | BALL FLOATING PKD                      |       |
| 3    | 9100001348    | 1           | CLAMP 14/32-52 10 PCS SET              |       |
| 4    | 9100001130    | 1           | CUSHION SEAT ADHESIVE KIT              |       |
| 6    | 9100000928    | 1           | GASKET FLOAT SUPPORT SIP               |       |
| 8    | 9100000818    | 1           | CAGE FLOAT HALF 2 PCS SET              |       |
| 9    | 9100001091    | 1           | TRAY DEBRIS SIP                        |       |
| 10   | 9100001092    | 1           | COVER TRAY DEBRIS SIP                  |       |
| 12   | 909 6380 000  | 1           | Klemset tank                           |       |
| 13   | 9100001095    | 1           | TANK RECOVERY 70L PLAST. GREY SIP      |       |
| 14   | 9100001106    | 1           | Zuigslang L.1120MM 90                  |       |
| 15   | 9100001511    | 1           | COVER RECOVERY TANK KIT                |       |
| 16   | 9100001113    | 1           | HOSE DRAIN BLACK PKD                   |       |
| 19   | 909 5065 000  | 1           | Antischuimfilter                       | [1]   |
| 21   | 9100001164    | 1           | CLAMP HOSE D.40 BLACK KIT              |       |
| 22   | 9100001143    | 1           | SOUNDPROOFING UPPER VACUUM MOTOR SIP   |       |
| 23   | 9100001181    | 1           | MOTOR VACUUM 24V 310W KIT              |       |
| 23   | 9100000957    | 1           | Extra zuigvermogen motor 24V 450W kit  | [2]   |
| 25   | 9100001146    | 1           | PLATE HARNESS PROTECTION SIP           |       |
| 26   | 9100001154    | 1           | HOSE CORRUGATED BLACK D.6 L.150MM SIP  |       |
| 29   | 9100000822    | 1           | SUPPORT INT. INSULATION VAC. MOTOR SIP |       |
| 30   | 9100001116    | 1           | HARNESS VACUUM MOTOR SIP               |       |
| 33   | 9100001142    | 1           | SOUNDPROOFING VACUUM MOTOR SIP         |       |
| 34   | 9100001144    | 1           | MOTOR VACUUM 24V 310W SIP              |       |
| 36   | 9100002609    | 1           | RUGKET                                 | [3]   |
| K1   | 9100001875    | 1           | SUPPORT FLOAT KIT                      | [4]   |
| K2   | 9100001165    | 1           | BAR SAFETY F TANK KIT                  | [5]   |
| K3   | 9100001166    | 1           | GASKETS VACUUM MOTOR KIT               | [6]   |

Part Notes:

- [1] - OPTIONAL
- [2] - OPTIONAL - INST. INSTR. 9100000968
- [3] - SC2000-backrest-installation
- [4] - NOT SHOWN - POS. 2-5-6-7-24
- [5] - NOT SHOWN - POS. 17-18-20
- [6] - NOT SHOWN - POS. 27-28-31-32-35

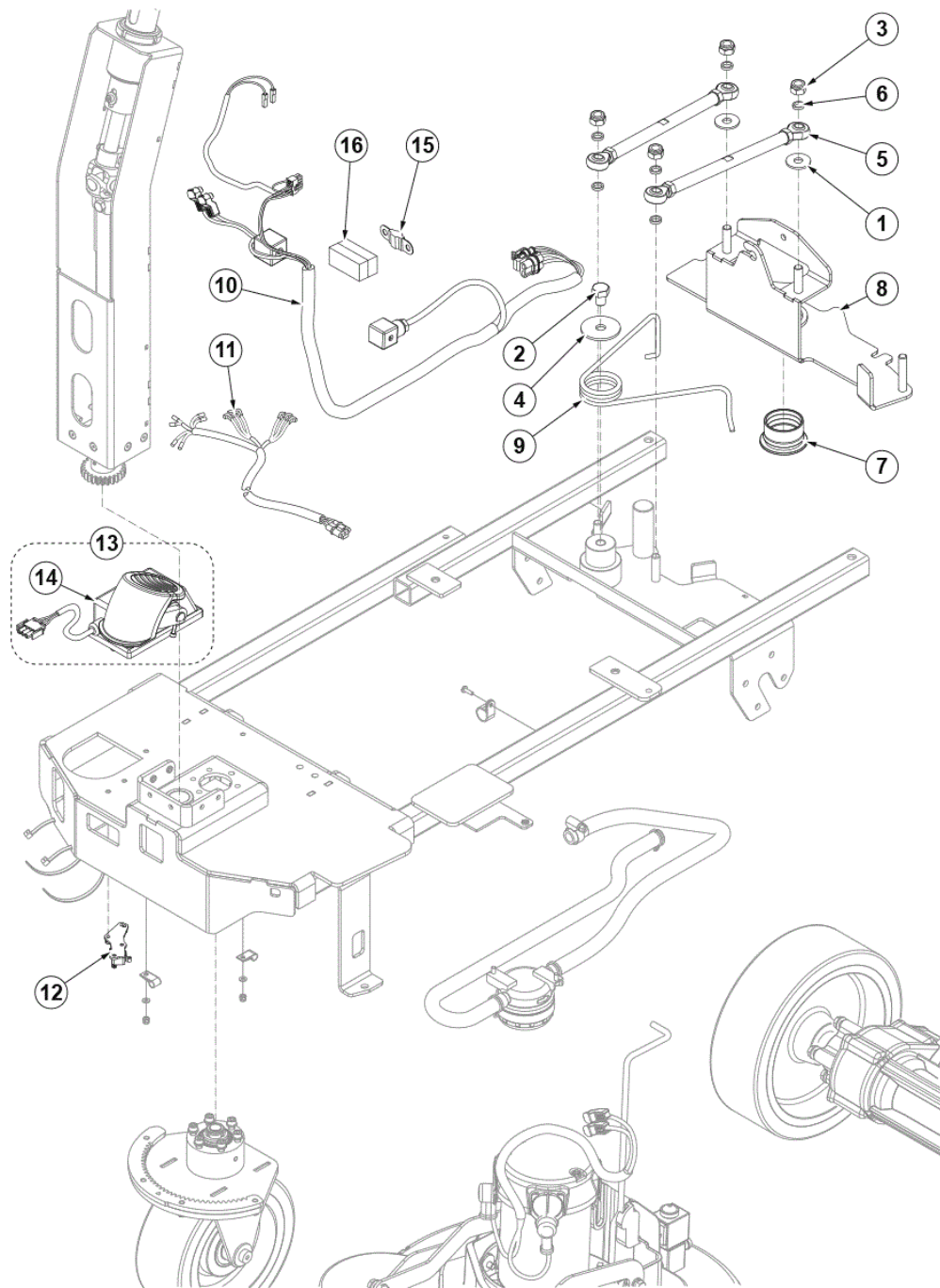




| Pos. | Artikelnummer | Hoeveelheid | Omschrijving                    | Notes |
|------|---------------|-------------|---------------------------------|-------|
| 6    | 56116518      | 1           | SMART KEY-USER Blauw            | [1]   |
| 7    | 56116519      | 1           | SMART KEY-SUPERVISOR Geel       | [1]   |
| 8    | 56116477      | 1           | IBUTTON-PROBE                   |       |
| 9    | 9100002386    | 1           | PLATE GALV. F SMARTKEY SIP      |       |
| 10   | 9100002375    | 1           | COLUMN STEERING PLAST. GREY SIP |       |
| 11   | 9100001097    | 1           | FOOTBOARD GREY SIP              |       |

## Part Notes:

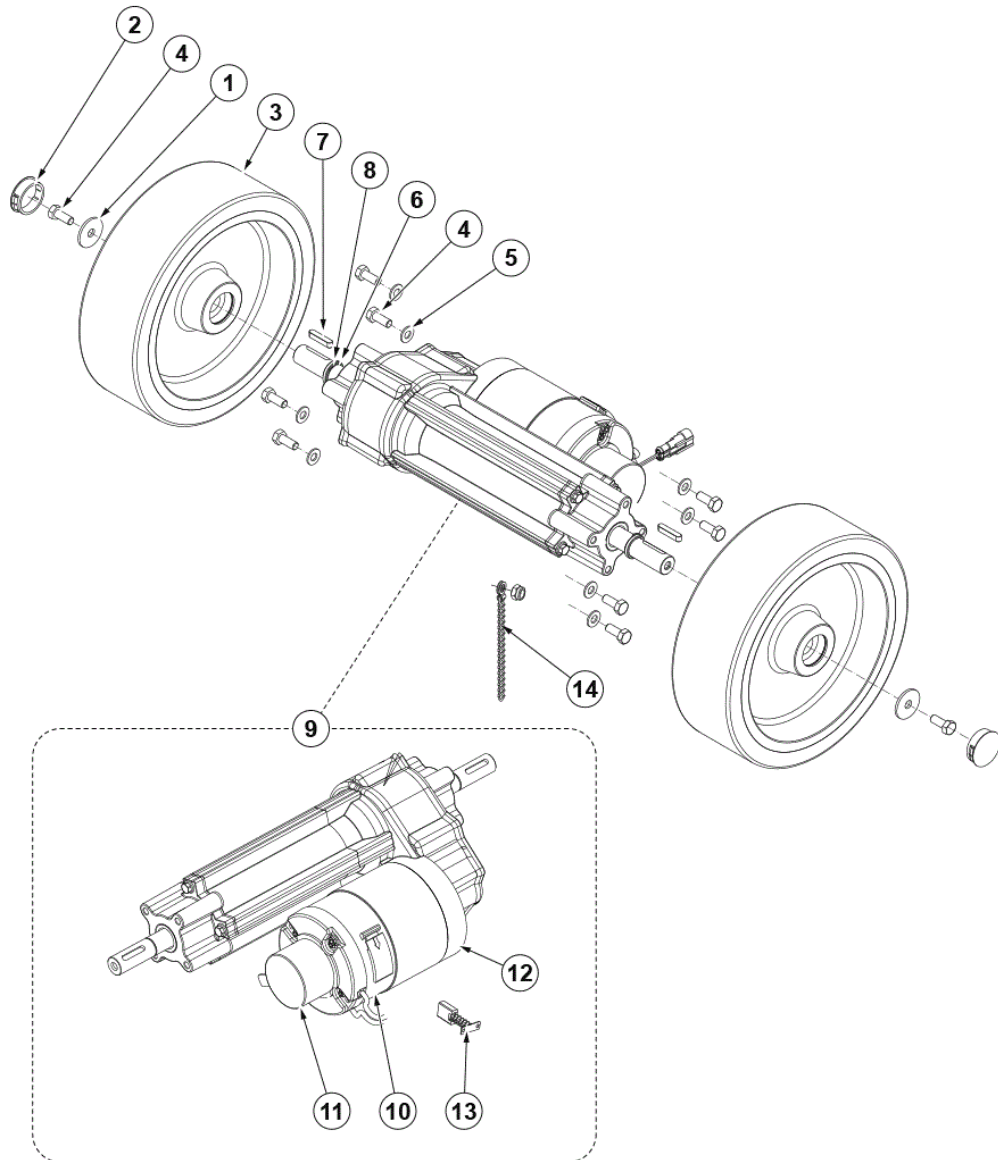
[1] - OPTIONAL



| Pos. | Artikelnummer | Hoeveelheid | Omschrijving                           | Notes |
|------|---------------|-------------|--|-------|
| 5    | 9100001090    | 2           | ROD EYE M10 PKD                        |       |
| 7    | 9100001096    | 1           | SLEEVE RUBBER BLACK F SUCTION HOSE SIP |       |
| 8    | 9100001108    | 1           | SUPPORT SQUEEGEE SIP                   |       |
| 10   | 9100002236    | 1           | HARNESS MACHINE SIP                    |       |
| 11   | 9100002385    | 1           | HARNESS FOOTBOARD F GREY LINE SIP      | [1]   |
| 12   | 9100001183    | 1           | MICROSWITCH KIT                        |       |
| 13   | 9100001180    | 1           | THROTTLE KIT                           |       |
| 14   | 9100001140    | 1           | THROTTLE ELECTRONIC PKD                |       |
| 15   | 9100002234    | 1           | FUSE BOLT DOWN 50A SIP                 |       |
| 16   | 9100002235    | 2           | HOLDER FUSE SIP                        |       |
| K1   | 9100001167    | 1           | HARDWARE SAFETY BAR KIT                | [2]   |
| K2   | 9100001168    | 1           | SPRING ZERO SETTING SQUEEGEE KIT       | [3]   |

## Part Notes:

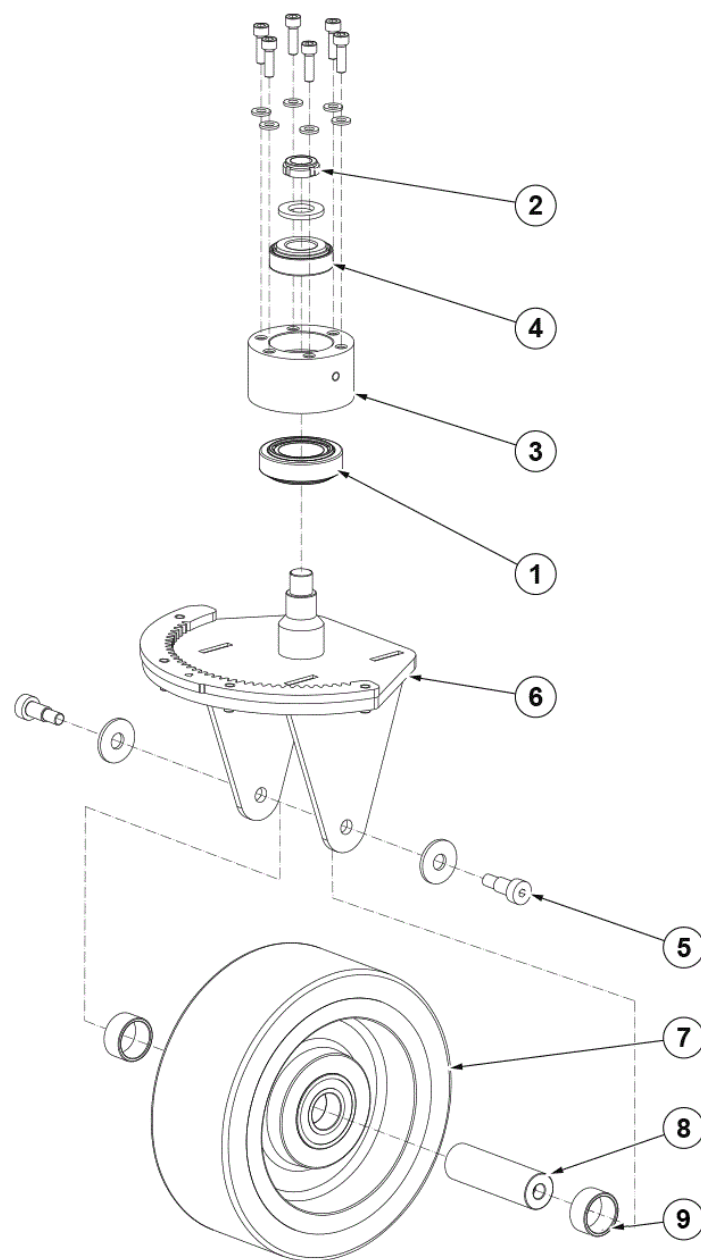
- [1] - Model no. 9087412020  
 [2] - NOT SHOWN - POS. 1-3-6  
 [3] - NOT SHOWN - POS. 2-4-9



| Pos. | Artikelnummer | Hoeveelheid | Omschrijving                             | Notes |
|------|---------------|-------------|--|-------|
| 3    | 9100001162    | 1           | WHEEL D.254X80 GREY-BLACK 2 PCS SET      |       |
| 5    | 9100001351    | 1           | WASHER PLAIN M8 ISO7089 SS 10 PCS SET    |       |
| 6    | 9100001346    | 1           | RING D 20 UNI7435 10 PCS SET             |       |
| 7    | 9100001156    | 1           | KEY JOINT 6X30 UNI6604A 10 PCS SET       |       |
| 8    | 9100001161    | 1           | SPACER 20.5X25X4 10 PCS SET              |       |
| 9    | 9100001099    | 1           | MOTOR DRIVE 400W 24V 125RPM PKD          |       |
| 10   | 9100001198    | 1           | BAND METAL F ELECTRIC MOTOR FIXING KIT   |       |
| 11   | 9100001199    | 1           | BRAKE ELECTR. RELEASED F DRIVE MOTOR SIP |       |
| 12   | 9100001200    | 1           | MOTOR ELECTRIC 400W 24V SIP              |       |
| 13   | 1464432000    | 1           | Koolborstel kit 4st                      |       |
| 14   | 9100002418    | 1           | CHAIN ANTISTATIC KIT                     | [1]   |
| K1   | 9100001169    | 1           | HARDWARE WHEEL D.254X80 KIT              | [2]   |

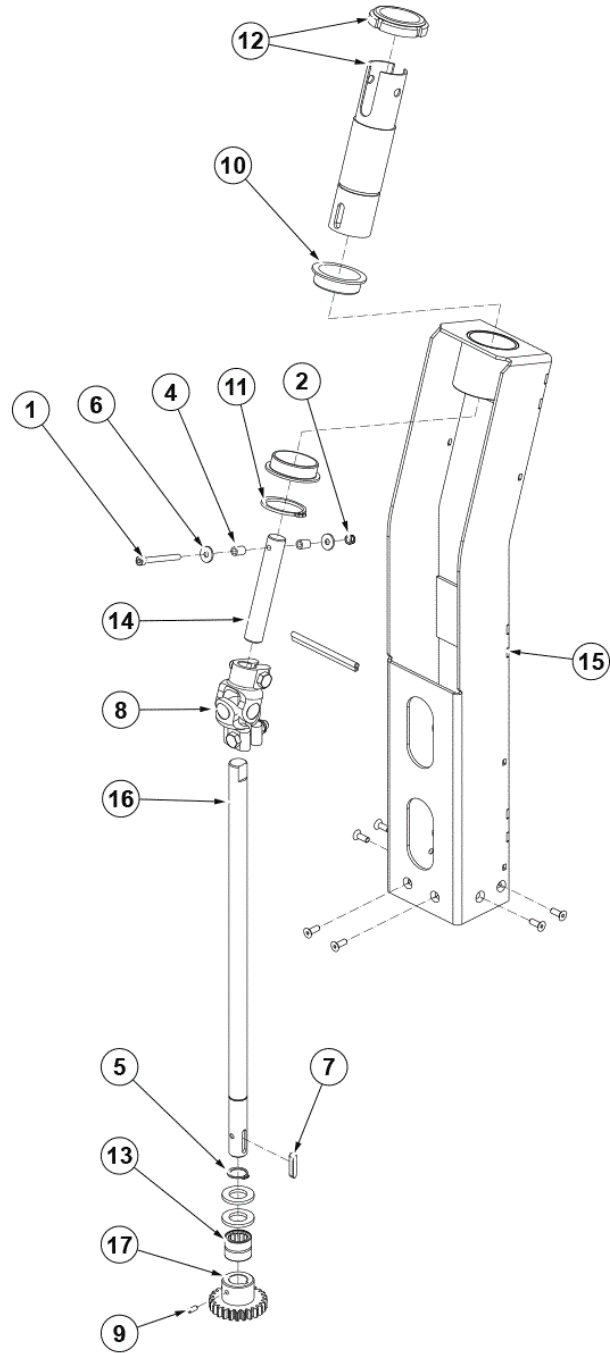
## Part Notes:

- [1] - STARTING FROM S/N (please wait)  
 [2] - NOT SHOWN - POS. 1-2-4



| Pos. | Artikelnummer | Hoeveelheid | Omschrijving                             | Notes |
|------|---------------|-------------|--|-------|
| 1    | 1467636000    | 1           | BEARING TAPER ROLLER 32006 SIP           |       |
| 2    | 9100001349    | 1           | NUT RING M15X1 KMA2 LIGHT SER.10 PCS SET |       |
| 3    | 9100001734    | 1           | SUPPORT BALL BEARING PHOS. PKD           |       |
| 4    | 1467639000    | 1           | BEARING TAPER ROLLER 32004X SIP          |       |
| 5    | 9100001160    | 1           | SCREW SHOUL 10X16 M8 ISO7379 10 PCS SET  |       |
| 6    | 9100001646    | 1           | SUPPORT FRONT WHEEL ASSEMBLED SIP        |       |
| 7    | 9100002334    | 1           | KIT ROUE D.200X76                        |       |
| 8    | 9100001101    | 1           | PIN WHEEL SIP                            |       |
| 9    | 9098299000    | 1           | Hardware kit voor wielen                 |       |

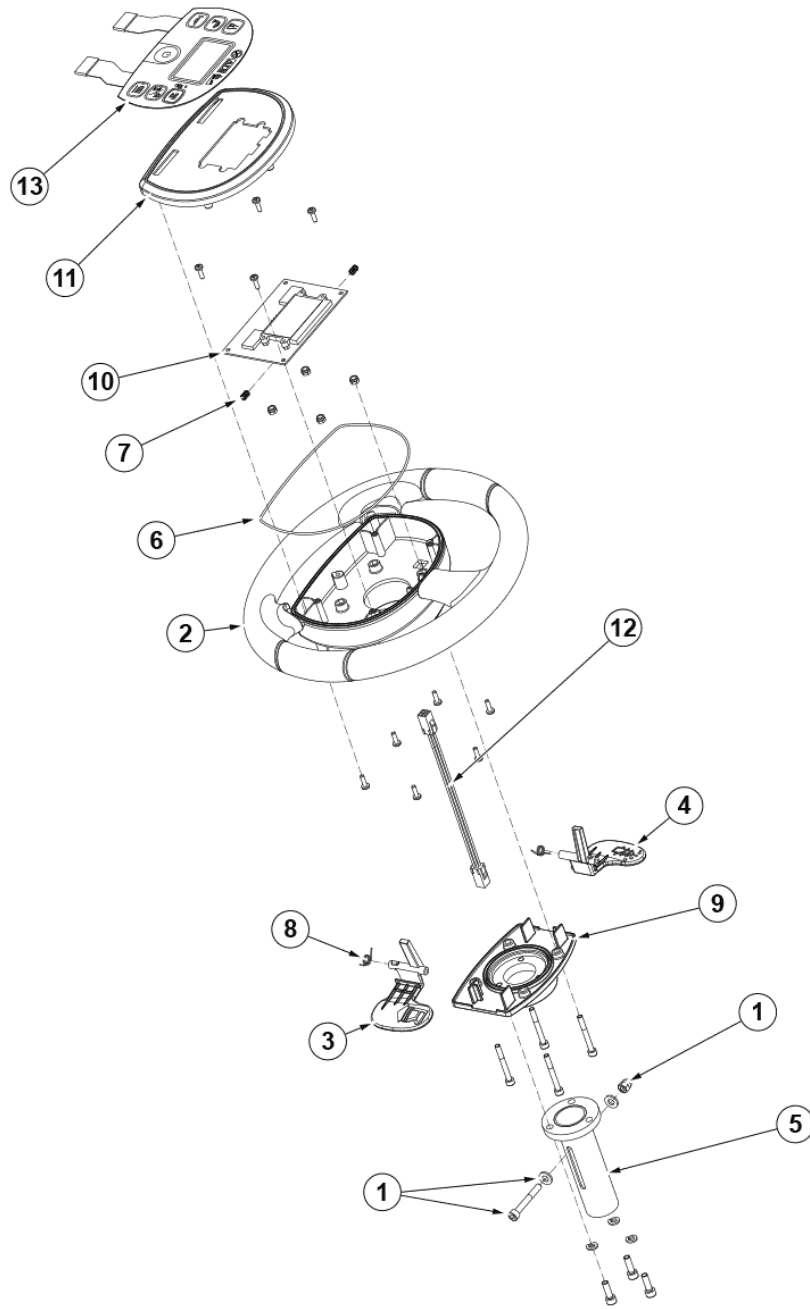




| Pos. | Artikelnummer | Hoeveelheid | Omschrijving                           | Notes |
|------|---------------|-------------|--|-------|
| 5    | 9100001345    | 1           | RING D 17 UNI7435 10 PCS SET           |       |
| 7    | 1466146000    | 1           | Spie 5X5X25 UNI6604A PKD               |       |
| 8    | 1466319000    | 1           | JOINT UNIVERSAL D.17 PKD               |       |
| 9    | 9100001350    | 1           | SCREW GRUB M5X10 UNI5929 10 PCS SET    |       |
| 10   | 9100001085    | 2           | BEARING FLANGE IGLIDUR GFM-4044-14 SIP |       |
| 11   | 9100001087    | 1           | RING D.40 UNI7436 SIP                  |       |
| 12   | 9100001450    | 1           | TUBE STEERING KIT                      |       |
| 13   | 9100001093    | 1           | BEARING NEEDLE ROLLER NK 17/20 SIP     | [1]   |
| 13   | 9100001449    | 1           | HARDWARE STEERING SUPPORT KIT          |       |
| 13   | 9100002416    | 1           | BEARING BALL 6203 2RS 2 PCS SET        | [2]   |
| 14   | 9100001107    | 1           | SHAFT STEERING UPPER SIP               |       |
| 15   | 9100001109    | 1           | SUPPORT STEERING COLUMN SIP            |       |
| 16   | 9100001110    | 1           | SHAFT STEERING LOWER SIP               |       |
| 17   | 9100001125    | 1           | PINION T25 P50 SIP                     |       |
| K1   | 9100001170    | 1           | HARDWARE STEERING TUBE KIT             | [3]   |

## Part Notes:

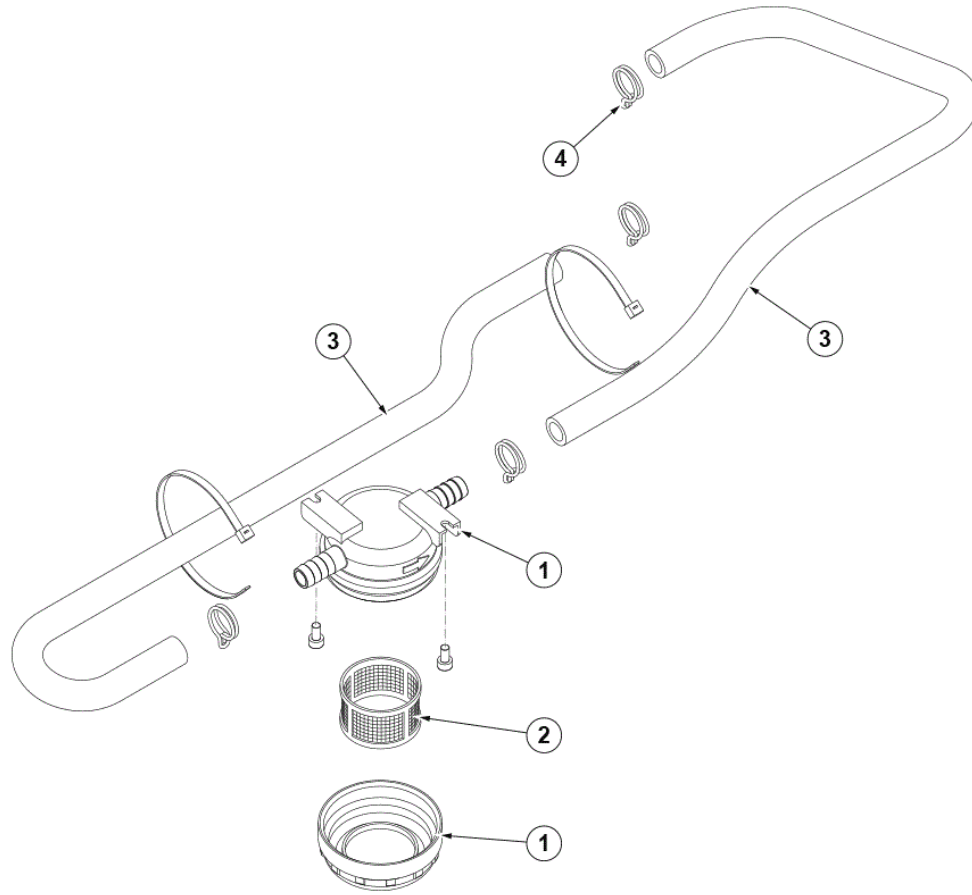
- [1] - UNTILS/N 3510163104804  
 [2] - STARTINGFROMS/N 3510163104805  
 [3] - NOT SHOWN - POS. 1-2-4-6



| Pos. | Artikelnummer | Hoeveelheid | Omschrijving                           | Notes |
|------|---------------|-------------|--|-------|
| 1    | 9100001171    | 1           | HARDWARE STEERING WHEEL KIT            |       |
| 2    | 9100001082    | 1           | WHEEL STEERING D.320X281 PKD           |       |
| 3    | 9100001083    | 1           | LEVER RIGHT PA YELLOW PKD              |       |
| 4    | 9100001084    | 1           | LEVER LEFT PA BLACK PKD                |       |
| 5    | 9100001086    | 1           | TUBE ADJUST.STEERING WHEEL SIP         |       |
| 6    | 9100001088    | 1           | GASKET ROUND D.2MM PKD                 |       |
| 7    | 9100001157    | 1           | SPRING MOVING BOTTON 10 PCS SET        |       |
| 8    | 9100001158    | 1           | SPRING TORSION FOR STEERING 10 PCS SET |       |
| 9    | 9100001089    | 1           | COVER LOWER PKD                        |       |
| 10   | 9100002373    | 1           | CONTROLLER DISPLAY SIP                 | [1]   |
| 11   | 9100001114    | 1           | COVER STEERING WHEEL PKD               | [2]   |
| 12   | 9100002372    | 1           | Verlengkabel F Controller Display Sip  |       |
| 13   | 9100002913    | 1           | DASHBOARD CONTROL PANEL MOUNTED SIP    | [2]   |

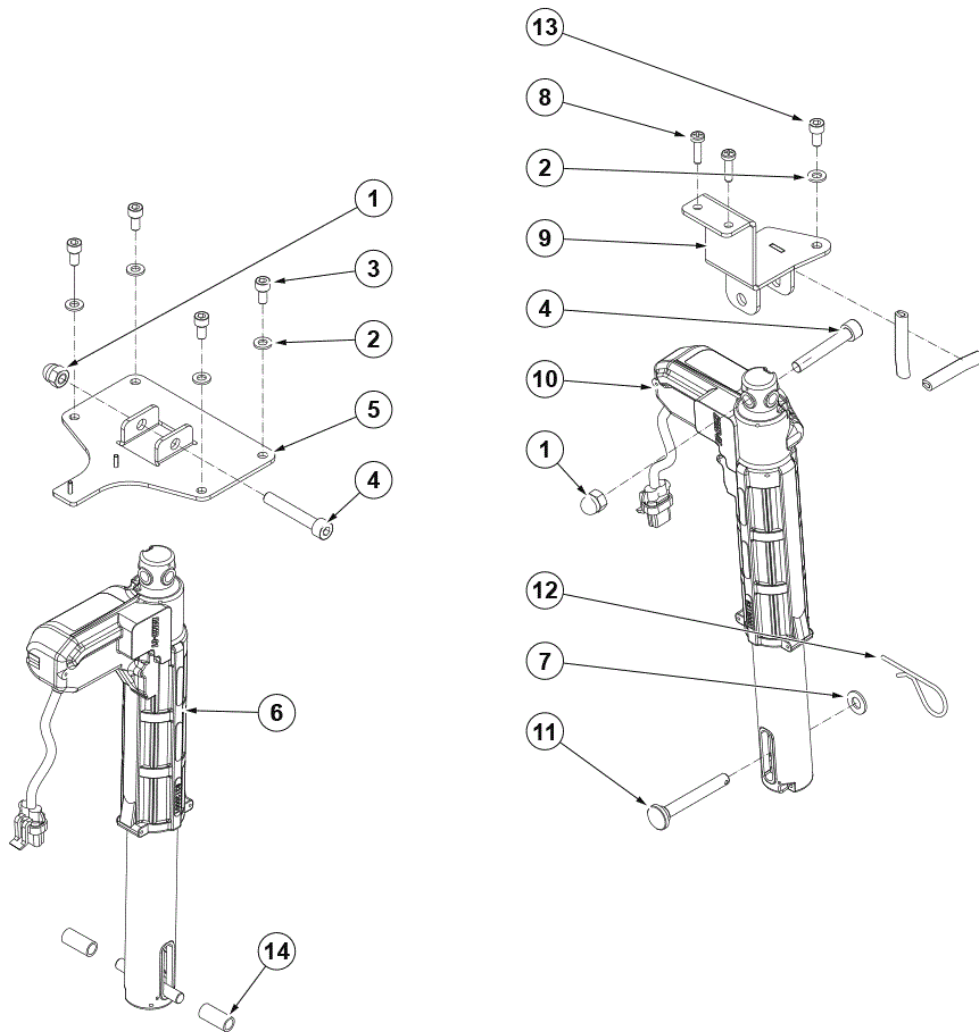
## Part Notes:

- [1] - TSB-FC-2018-019 SC500 SW update  
DE TSB-FC-2018-019 SC500 Software Aktualisierung
- [2] - TSB-FC-2018-020  
  
TSB-FC-2018-020 SC500 control panel  
DE TSB-FC-2018-020 SC500 Bedienpanel



---

| Pos. | Artikelnummer | Hoeveelheid | Omschrijving                             | Notes |
|------|---------------|-------------|--|-------|
| 1    | 9100000860    | 1           | FILTER WATER PKD                         |       |
| 2    | 9100000861    | 1           | Filter inzet                             |       |
| 3    | 9100001174    | 1           | HOSES SOLUTION KIT                       |       |
| 4    | 9100001159    | 1           | CLAMP DOUBLE WIRE SPRING D.18 10 PCS SET |       |

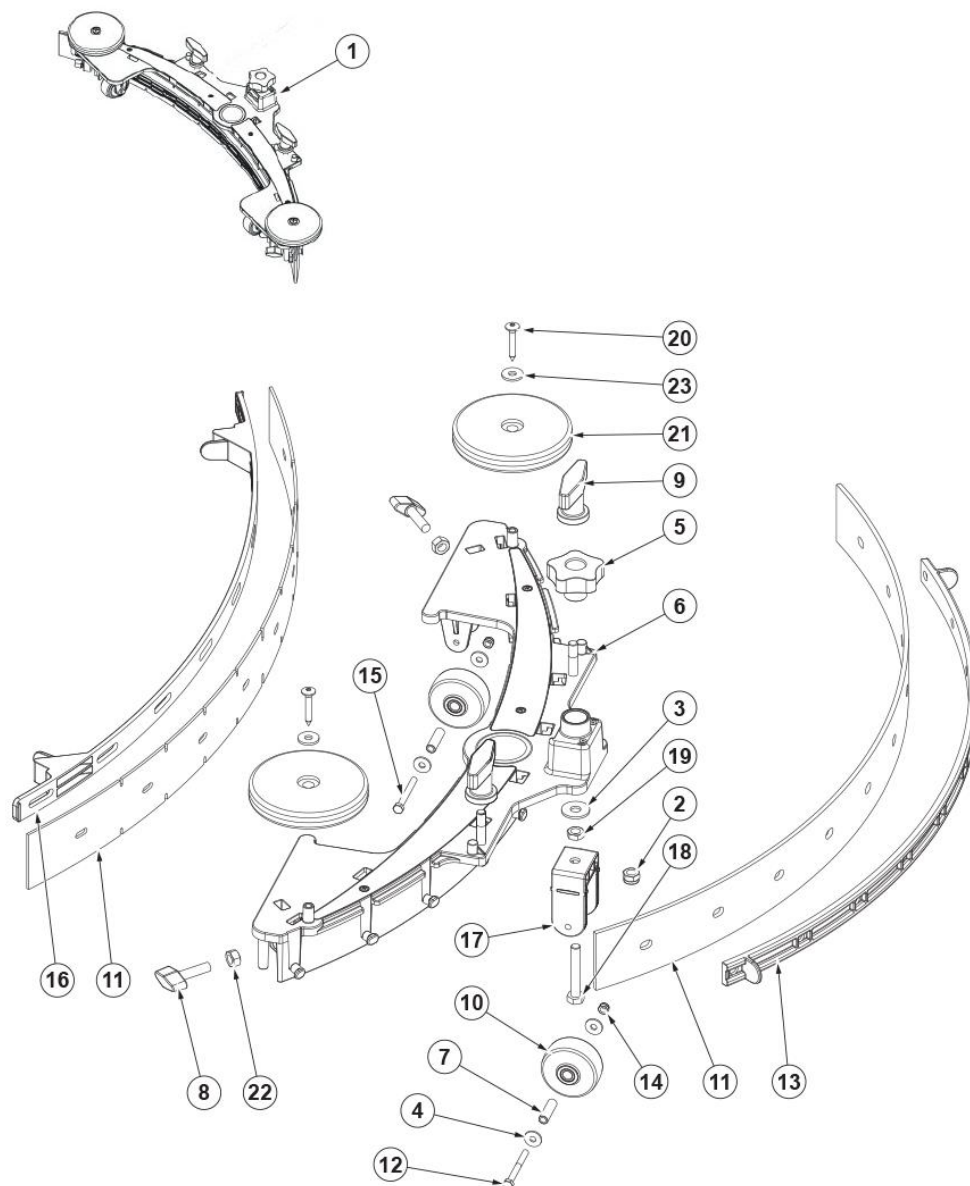


| Pos. | Artikelnummer | Hoeveelheid | Omschrijving                             | Notes |
|------|---------------|-------------|--|-------|
| 5    | 9100001126    | 1           | SUPPORT DECK ACTUATOR SIP                | [1]   |
| 6    | 9100001131    | 1           | ACTUATOR 24V DC STROKE 98MM 16MM/S PKD   |       |
| 9    | 9100001103    | 1           | SUPPORT SQUEEGEE ACTUATOR SIP            | [2]   |
| 9    | 9100001754    | 1           | SUPPORT SQUEEGEE ACTUATOR GALV. SIP      | [3]   |
| 10   | 9100001133    | 1           | ACTUATOR 24V DC STROKE 77.5MM 16MM/S SIP |       |
| 14   | 9100002105    | 1           | CAP D.9 PLASTIC 10 PCS SET               | [4]   |
| K1   | 9100001663    | 1           | HARDWARE ACTUATOR SUPPORT KIT            | [5]   |
| K2   | 9100001173    | 1           | HARDWARE ACTUATOR KIT                    | [6]   |

Part Notes:

- [1] - SEE TSB-FC-2016-007  
SEE DE TSB-FC-2016-007
- [2] - STOCK COVERS GUARANTEE  
UNTIL S/N 3510163404520
- [3] - STARTING FROMS/N 3510163404521
- [4] - SEE TSB-FC-2016-021
- [5] - NOT SHOWN - POS. 2-3-8-13
- [6] - NOT SHOWN - POS. 1-4-7-11-12

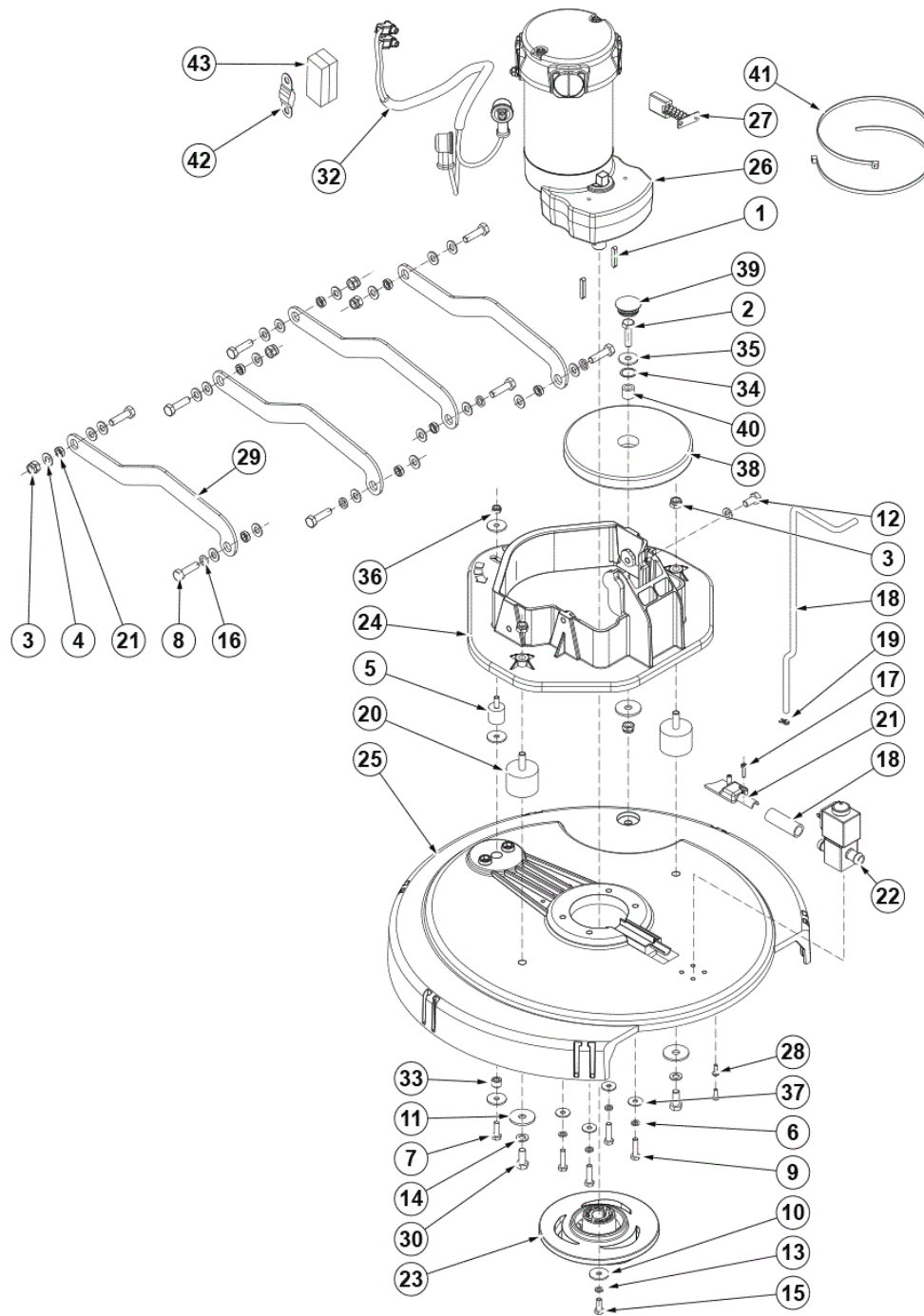




| Pos. | Artikelnummer | Hoeveelheid | Omschrijving                            | Notes |
|------|---------------|-------------|---|-------|
| 1    | 9100001366    | 1           | SQUEEGEE NON MARKING 730MM/29 KIT       | [1]   |
| 1    | 9100001367    | 1           | SQUEEGEE PU 730MM/29 KIT                | [2]   |
| 5    | 9100000862    | 1           | KNOB LOBES M8 FEMALE PKD                |       |
| 6    | 9100000747    | 1           | SQUEEGEE 730MM/29 PRE-ASSEMBLED PKD     |       |
| 7    | 9100002408    | 1           | KIT ENTRETOISES PLAST. 5.1X8X28.5 3 PCS |       |
| 8    | 9100000791    | 2           | KNOB M8X30 THD STUD SS PKD              |       |
| 9    | 9097637000    | 1           | SQUEEGEE FIXING KIT                     |       |
| 10   | 9100000559    | 3           | Wiel d.51 grijs PKD                     |       |
| 11   | 9100000810    | 1           | Zuigmond rubbers 740MM 29" rubber       | [3]   |
| 11   | 9100000490    | 1           | Zuigmond rubbers 740MM 29" PU           | [3]   |
| 11   | 9100000060    | 1           | Zuigmond rubbers 740MM 29" rood rubber  | [3]   |
| 13   | 9100000864    | 1           | STRAP ELASTIC F REAR SQUEEGEE BLADE PKD |       |
| 16   | 9100000865    | 1           | STRAP FRONT SQUEEGEE BLADE PKD          |       |
| 17   | 9100000866    | 1           | SUPPORT SQUEEGEE WHEEL SIP              |       |
| 21   | 9100001816    | 1           | WHEEL BUMPER D.100 PLASTIC 2 PCS SET    |       |
| K1   | 9100000748    | 1           | HARDWARE SQUEEGEE KIT                   | [4]   |

## Part Notes:

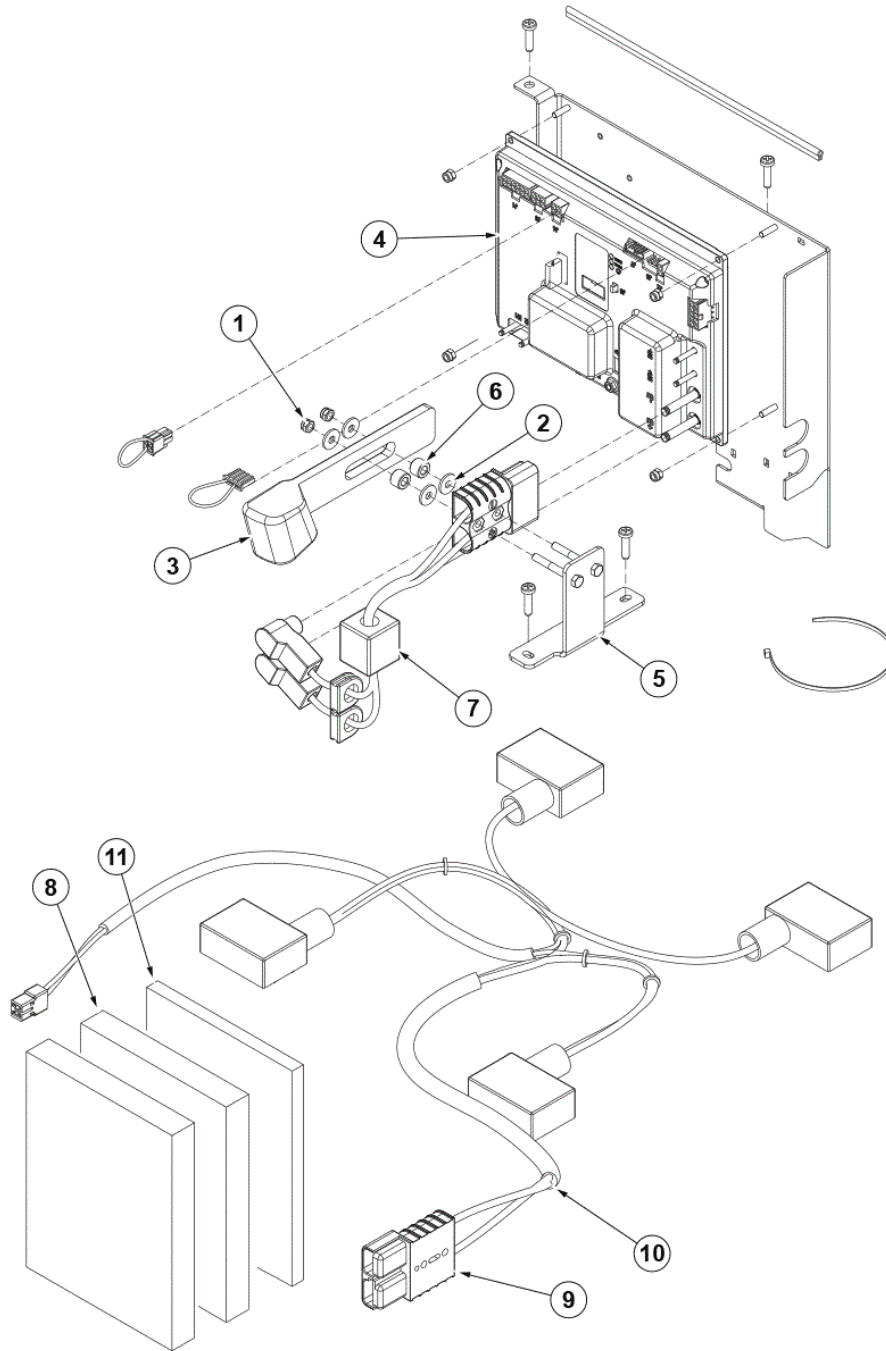
- [1] - ONLY FOR SC500
- [2] - ONLY FOR SC2000 - SCRUBTEC R253 - RA40
- [3] - OPTIONAL
- [4] - NOT SHOWN - Pos. 1-2-3-4-7-12-14-15-18-19-20-22



| Pos. | Artikelnummer | Hoeveelheid | Omschrijving                         | Notes |
|------|---------------|-------------|--------------------------------------|-------|
| 1    | 9100000875    | 1           | KEY 5X5X30 DIN6885 2 PCS SET         |       |
| 5    | 9100001352    | 1           | VIBRATION-DAMPING M6 60SH SIP        |       |
| 7    | 9100001347    | 1           | SCREW M6X20 UNI5739 SS 10 PCS SET    |       |
| 18   | 9100000797    | 1           | HOSES BRUSH DECK KIT                 |       |
| 20   | 9100000868    | 1           | VIBRATION DAMPING M8 60SH 2 PCS SET  |       |
| 21   | 9100000869    | 1           | COVER SOLUTION HOSE SUPPORT PKD      |       |
| 22   | 9100000870    | 1           | Waterklep 24V PKD                    |       |
| 23   | 9100000871    | 1           | HUB BRUSH PKD                        | [1]   |
| 24   | 9100000872    | 1           | PLATE BRUSH DECK HOLDER SIP          |       |
| 25   | 9100000873    | 1           | DECK BRUSH PKD                       |       |
| 26   | 9100000874    | 1           | REDUCTION GEARMOTOR 450W 24V PKD     |       |
| 27   | 9098376000    | 1           | Koolborstel kit 4st.                 |       |
| 29   | 9100001163    | 1           | ARM BRUSH DECK LIFTING 4 PCS SET     |       |
| 32   | 9100002237    | 1           | HARNES BRUSH MOTOR SIP               |       |
| 42   | 9100002234    | 1           | FUSE BOLT DOWN 50A SIP               |       |
| 43   | 9100002235    | 1           | HOLDER FUSE SIP                      |       |
| K1   | 909 6887 000  | 1           | Bumper roller kit                    | [2]   |
| K2   | 9100001175    | 1           | HARDWARE BRUSH DECK LIFTING ARMS KIT | [3]   |
| K3   | 9100001176    | 1           | HARDWARE BRUSH DECK KIT              | [4]   |
| K4   | 9097093000    | 1           | Houder Polygonaal kit                | [5]   |

Part Notes:

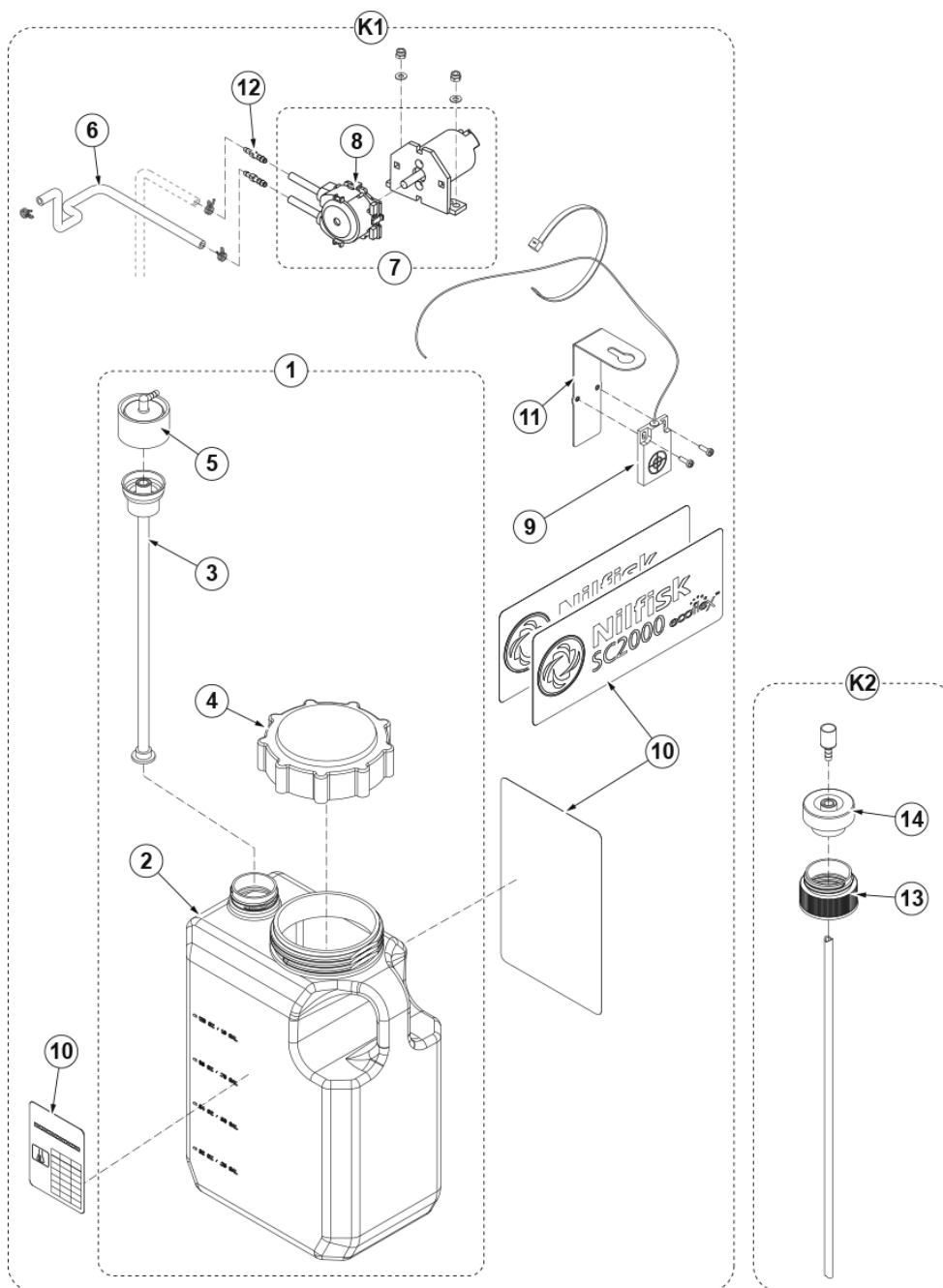
- [1] - TSB-FC-2019-037 brush hub SC500\_SC2000\_SC401  
DE TSB-FC-2019-037 SC500 SC2000 SC401 Bürstenaufnahme
- [2] - NOT SHOWN - POS. 2-34-35-38-39-40
- [3] - NOT SHOWN - POS. 3-4-8-16-21
- [4] - NOT SHOWN - POS. 3-6-9-10-11-12-13-14-15-17-19-28-30-33-36-37-41
- [5] - TSB-FC-2019-037 brush hub SC500\_SC2000  
DE TSB-FC-2019-037 SC500 SC2000 Bürstenaufnahme



| Pos. | Artikelnummer | Hoeveelheid | Omschrijving                        | Notes |
|------|---------------|-------------|-------------------------------------|-------|
| 4    | 9100002376    | 1           | CONTROLLER MAIN MACHINE SIP         | [1]   |
| 7    | 9100001141    | 1           | HARNESS ELECTRIC COMPONENTS BOX SIP |       |
| 9    | 9100002117    | 1           | CONNECTOR RED 120A PKD              |       |
| 10   | 9100001954    | 1           | Batterij bekabeling                 |       |
| 10   | 9100001015    | 1           | Batterij bekabeling                 |       |
| K1   | 9100001177    | 1           | PANELS INSULATING KIT               |       |
| K2   | 9100001179    | 1           | LEVER EMERGENCY KIT                 |       |

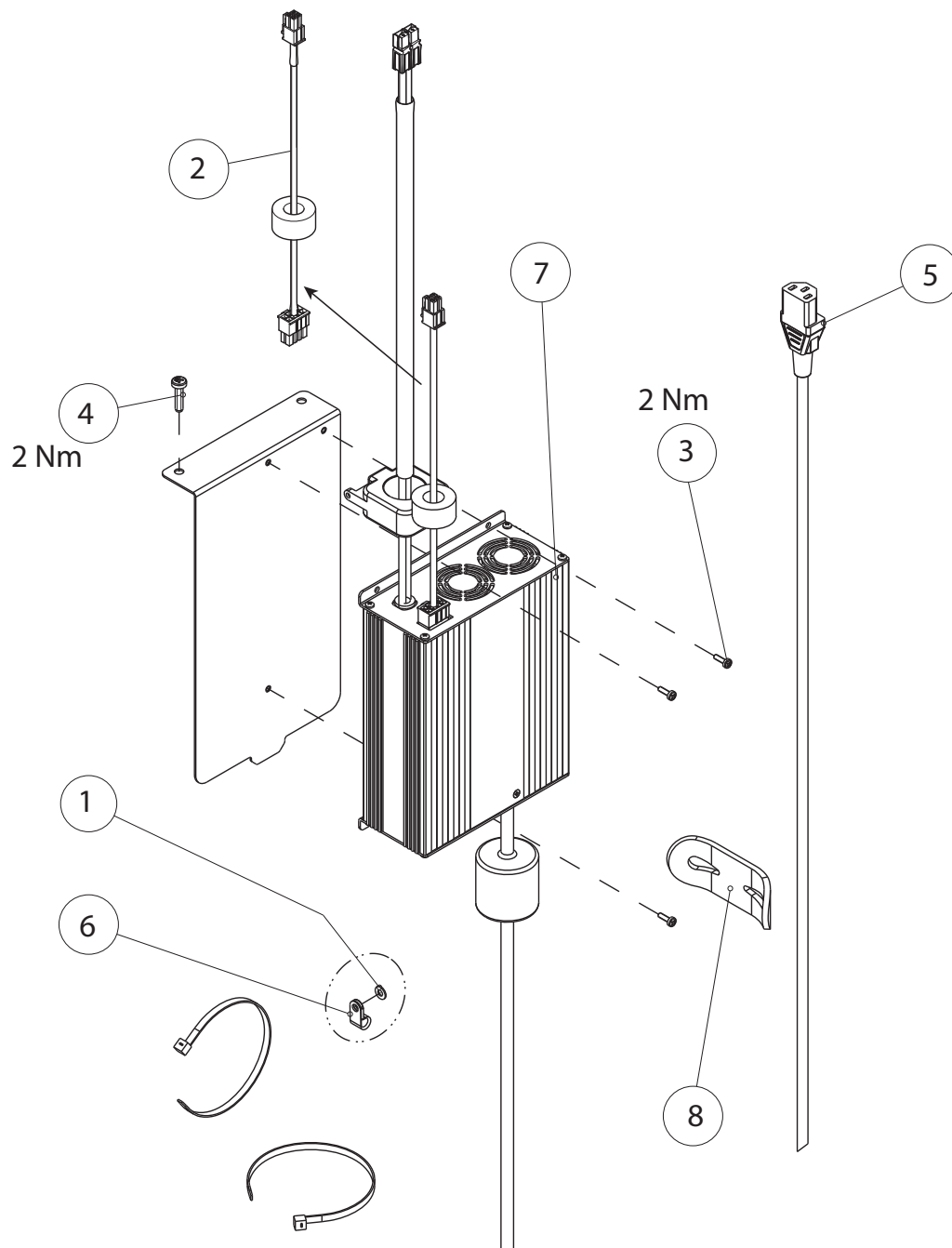
## Part Notes:

- [1] - TSB-FC-2018-019 SC500 SW update  
DE TSB-FC-2018-019 SC500 Software Aktualisierung



| Pos. | Artikelnummer | Hoeveelheid | Omschrijving                         | Notes |
|------|---------------|-------------|--------------------------------------|-------|
| 1    | 56104190      | 1           | Ecoflex fles 5L                      |       |
| 2    | 9100001081    | 1           | CHEMICAL TANK PKD                    |       |
| 3    | 56104189      | 1           | INSERT-DRY BRAKE                     |       |
| 4    | 9100001817    | 1           | CAP PLASTIC F CHEMICAL TANK SIP      |       |
| 5    | 56315523      | 1           | Kapje dry break, 1/8                 |       |
| 6    | 9100000891    | 1           | HOSE SILICONE D.4X7 L.300MM SIP      |       |
| 7    | 9100002398    | 1           | PUMP DETERG. MIX PERISTALTIC 24V SIP |       |
| 8    | 9100002388    | 1           | HEAD PERISTALTIC PUMP DETERG. SIP    |       |
| 9    | 9100001818    | 1           | SENSOR WATER LEVEL KIT               |       |
| 10   | 9100002758    | 1           | DECALS NILFISK SC2000 KIT            |       |
| 10   | 9100002409    | 1           | DECALS ADVANCE SC2000 KIT            |       |
| 11   | 9100001820    | 1           | SUPPORT F WATER LEVEL SENSOR KIT     |       |
| 12   | 9100002402    | 1           | BARB HOSE STRAIGHT D.5-D.4 2 PCS SET |       |
| 13   | 9097023000    | 1           | Tank adapter                         |       |
| 14   | 9097022000    | 1           | SENSOR CHEMICAL MIX LEVEL            |       |
| K1   | 9100002389    | 1           | ECOFLEX DETERGENT KIT SC2000         |       |
| K2   | 9098025000    | 1           | Adaptor detergent kit                |       |

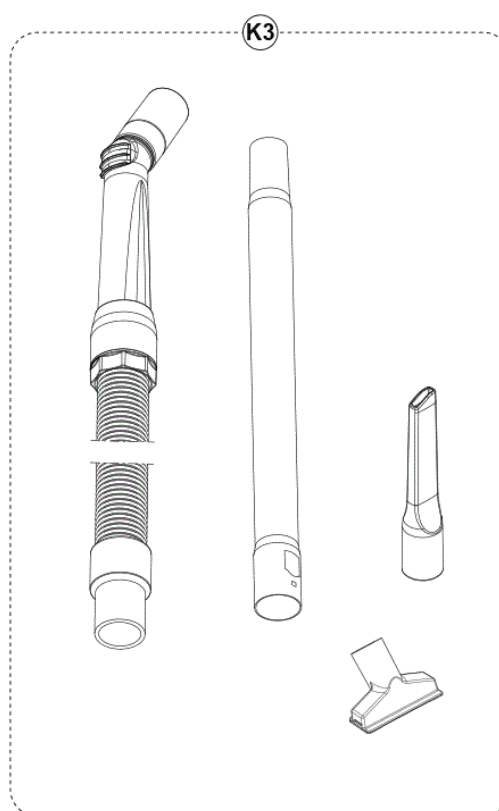
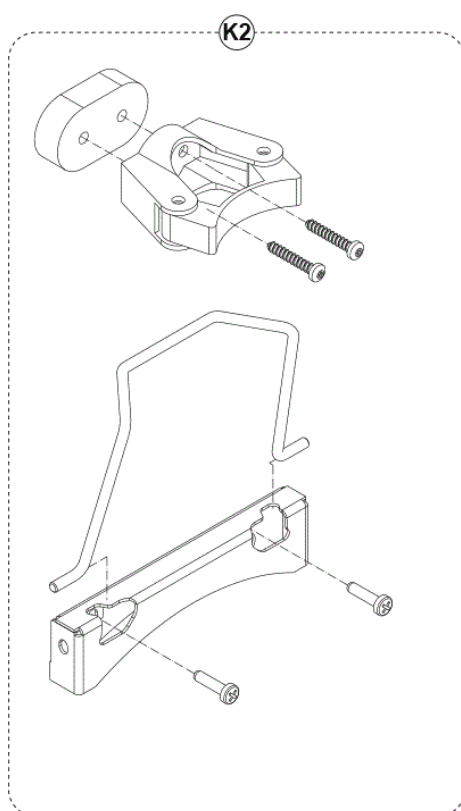
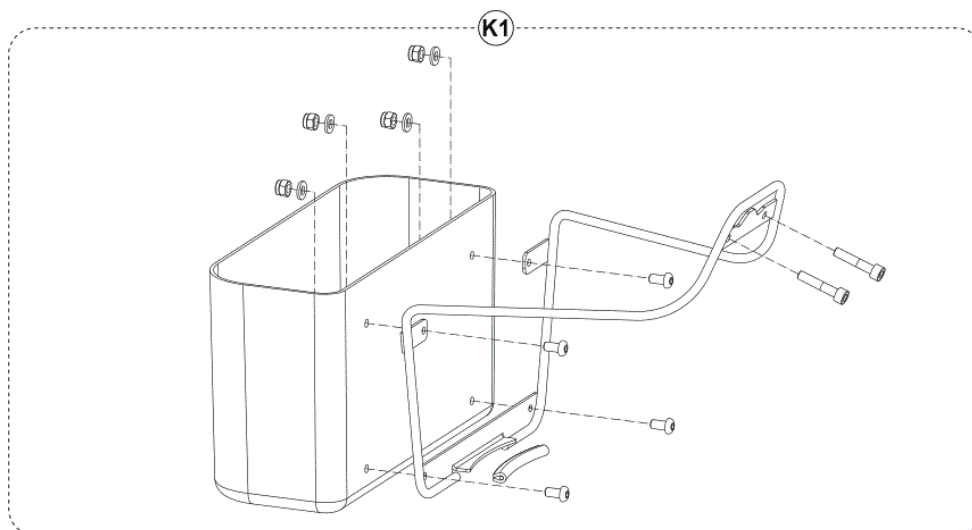




| Pos. | Artikelnummer | Hoeveelheid | Omschrijving                             | Notes |
|------|---------------|-------------|--|-------|
|      | 9100000940    | 1           | Ingebouwde lader 24V 100-230V EU kit     | [1]   |
|      | 9100001715    | 1           | CHARGER BATT.O/B JP 24V 13A 100-240V KIT | [2]   |
| 1    | 33023198      | 1           | Vulring M4 UNI6592 10 PCS SET            |       |
| 2    | 9100002960    | 1           | CHARGER BATT. OUTPUT AUX. CABLE SIP      | [3]   |
| 3    | 9100002502    | 1           | SCREW M3X10 PAN HD ISO7045 10 PCS SET    |       |
| 4    |               | 2           | SCREW 5X20 PAN PHIL W/O BIT F PLASTIC    |       |
| 5    | 1466318000    | 1           | Verlengkabel Uk Plug L.2000 mm SIP       | [4]   |
| 5    | 9100000787    | 1           | Snoer Met Stekker L.2000                 | [4]   |
| 5    | 9100000890    | 1           | Verlengkabel Us Plug L.2000Mm Sip        | [5]   |
| 5    | 1467891000    | 1           | Verlengkabel Swiss Plug L.2000 mm SIP    |       |
| 6    | L08239900     | 1           | Bevestigingsplaat                        |       |
| 7    | 9100001145    | 1           | CHARGER BATT. O/B 24V 13A 100-230V PKD   | [6]   |
| 8    | 9100000829    | 1           | Elastische BEn Verlengkabel              |       |

Part Notes:

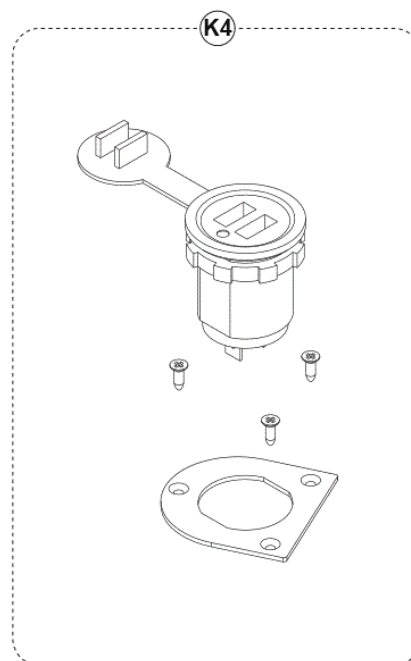
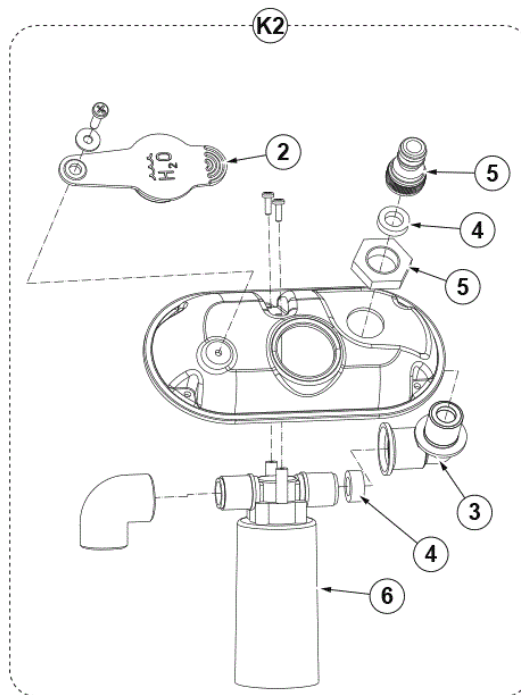
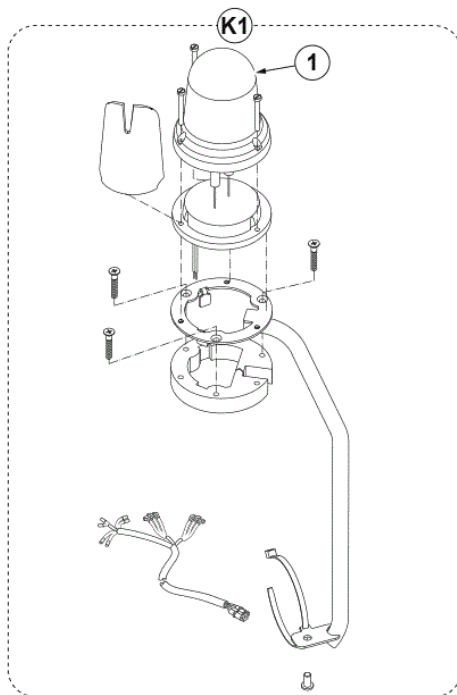
- [1] - NOT SHOWN -EU VERSION - OPTIONAL - POS. 1-2-3-4 - SEE INST. INSTR. 9100001068  
SEE TSB-FC-2016-010
- [2] - 2020 ACCESSORY PRUNING  
NOT SHOWN - JP VERSION - OPTIONAL - POS. 1-2-3-4 -SEE INST. INSTR. 9100001717
- [3] - TSB-FC-2019-006 Batt level display SC500\_SC2000  
DE TSB-FC-2019-006 SC500 SC2000 Batteriekapacitätsanzeige
- [4] - ONLY FOR EU VERSION
- [5] - ONLY FOR US VERSION
- [6] - SEE TSB-FC-2016-010  
TSB-FC-2019-006 Batt level display SC500\_SC2000



| Pos. | Artikelnummer | Hoeveelheid | Omschrijving       | Notes |
|------|---------------|-------------|--------------------|-------|
| 1    | 9100000697    | 1           | Grofvuilmandje     | [1]   |
| 2    | 9100000688    | 1           | Mophouder          | [2]   |
| 3    | 9100002205    | 1           | DRAINING HAND TOOL | [3]   |

## Part Notes:

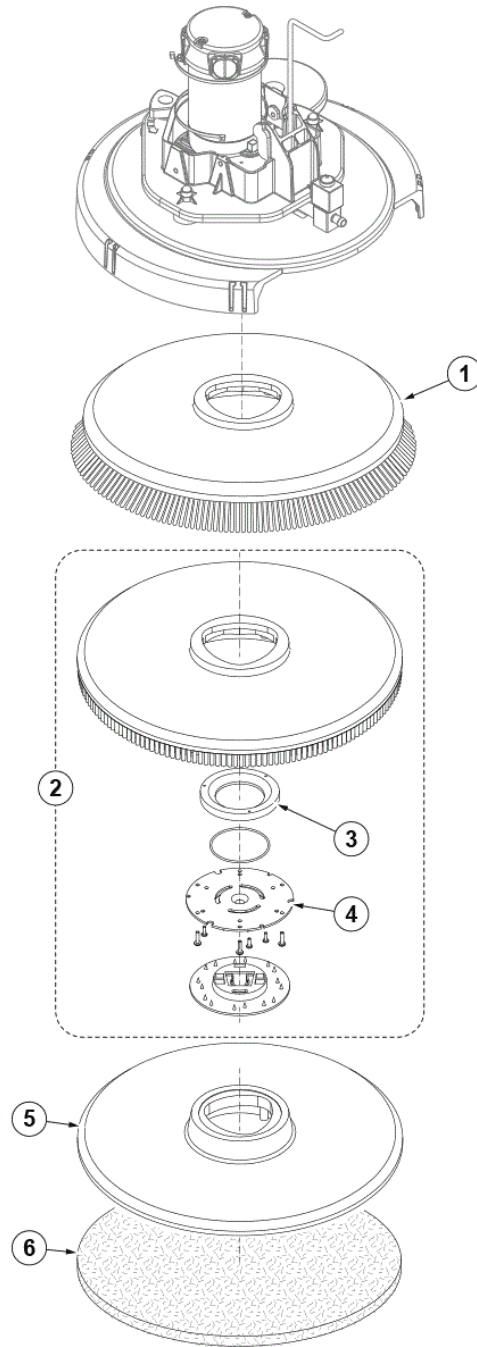
- [1] - OPTIONAL - SEE INST. INTR. 9100001067
- [2] - OPTIONAL - SEE INST. INSTR. 9100000985
- [3] - OPTIONAL



| Pos. | Artikelnummer | Hoeveelheid | Omschrijving                  | Notes |
|------|---------------|-------------|-------------------------------|-------|
| K1   | 910000663     | 1           | Zwaailicht Kit                | [1]   |
| 1    | 33023155      | 1           | BEACON FLASHING PKD           |       |
| K2   | 910000707     | 1           | Automatische vul kit          | [2]   |
| 2    | 910000808     | 1           | RUBBER SOLUTION CAP PKD       |       |
| 3    | 910000894     | 1           | ELBOW CURVED M/F PKD          |       |
| 4    | 910000622     | 2           | Dichtingsrubber D.11.5x19x5   |       |
| 5    | 9099675000    | 1           | Snelkoppeling kit             |       |
| 6    | 910000897     | 1           | VALVE WATER STOP SIP          |       |
| K3   | 9100001441    | 1           | Spatrand cpl. Borsteldeck kit |       |
| K4   | 9100002238    | 1           | USB PORT KIT                  | [3]   |

## Part Notes:

- [1] - OPTIONAL - SEE INST. INSTR. 910000982  
 [2] - OPTIONAL - SEE INST. INSTR. 910000984  
 [3] - OPTIONAL - SEE INST. INSTR. 910000983

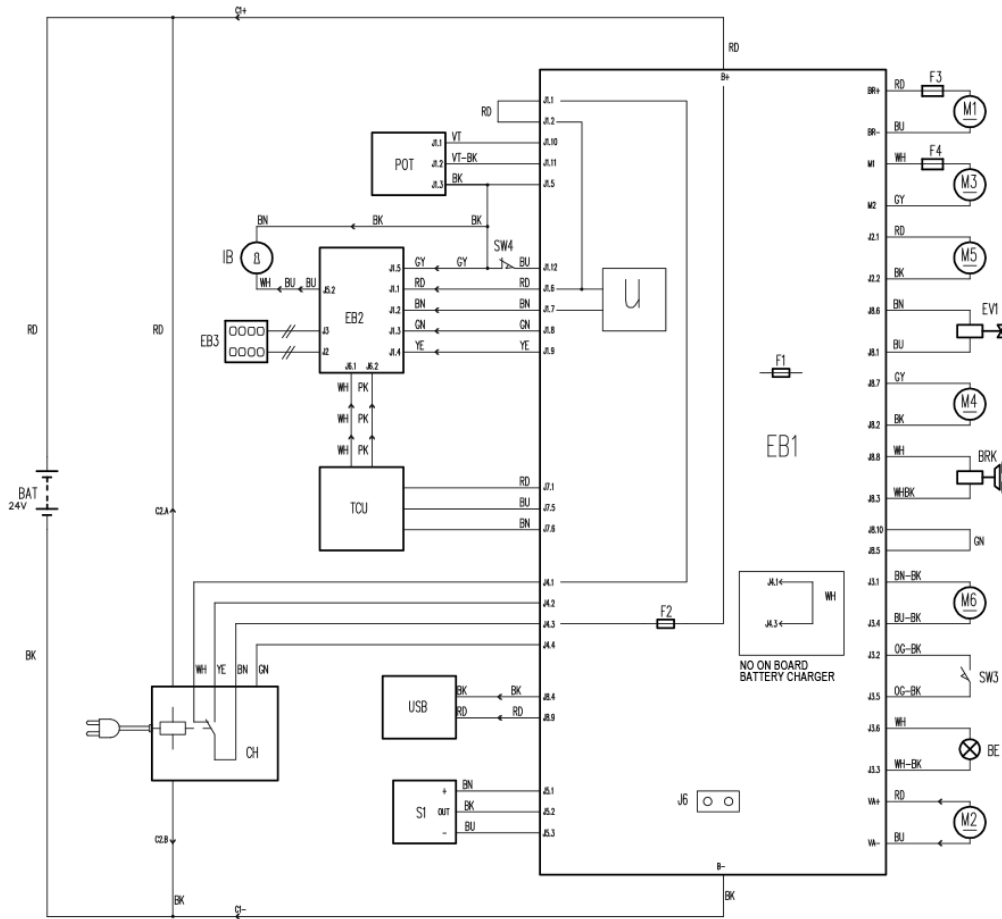


| Pos. | Artikelnummer | Hoeveelheid | Omschrijving                            | Notes |
|------|---------------|-------------|---|-------|
| 1    | L08837025     | 1           | Borstel 21 inch Prolene 530mm           | [1]   |
| 1    | L08837026     | 1           | Borstel 21 inch Prolite 530mm           | [1]   |
| 1    | L08837027     | 1           | Borstel 21 inch union mix 530mm         | [1]   |
| 1    | L08837028     | 1           | Borstel 21 inch 530mm midlite grit 180  | [1]   |
| 1    | L08837029     | 1           | Borstel 21 inch 530mm mid grit 240      | [1]   |
| 1    | L08837065     | 1           | Borstel 21 inch magna grit 530mm        | [1]   |
| 1    | L08837066     | 1           | Borstel 21 inch Dynagrit 530mm          | [1]   |
| 1    | L08837067     | 1           | Borstel 21 inch Aglite grit 530mm       | [1]   |
| 2    | L08837018     | 1           | Padhouder 530mm/21 inch Centre Lock     | [1]   |
| 3    | L08603966     | 1           | Nylon ring                              |       |
| 4    | 56505195      | 1           | Sluitplaat padhouder                    |       |
| 5    | 9099671000    | 1           | Padhouder 20 inch 508 mm Velcro         | [1]   |
| 6    | 10001955      | 1           | Pad 20 505MM Eco Black 5PCS             | [1]   |
| 6    | 10001956      | 1           | Pad 20 505MM Eco Blue 5PCS              | [1]   |
| 6    | 10001957      | 1           | Pad 20 505MM Eco Brown 5PCS             | [1]   |
| 6    | 10001958      | 1           | Pad 20 505MM Eco Green 5PCS             | [1]   |
| 6    | 10001959      | 1           | Pad 20 505MM Eco Red 5PCS               | [1]   |
| 6    | 10001960      | 1           | Pad 20 505MM Eco White 5PCS             | [1]   |
| 6    | 10002348      | 1           | PAD 20 500MM ECO BRILLIANCE RED 2PCS    | [1]   |
| 6    | 10002349      | 1           | PAD 20 500MM ECO BRILLIANCE BLUE 2PCS   | [1]   |
| 6    | 10002350      | 1           | PAD 20 500MM ECO BRILLIANCE YELLOW 2PCS | [1]   |
| 6    | 10002351      | 1           | PAD 20 500MM ECO BRILLIANCE GREEN 2PCS  | [1]   |

## Part Notes:

[1] - OPTIONAL





| Pos. | Artikelnummer | Hoeveelheid | Omschrijving                             | Notes |
|------|---------------|-------------|--|-------|
| BE   | 9100000663    |             | Zwaailicht Kit                           |       |
| BRK  | 9100001199    |             | BRAKE ELECTR. RELEASED F DRIVE MOTOR SIP |       |
| CH   | 9100001145    |             | CHARGER BATT. O/B 24V 13A 100-230V PKD   |       |
| EB1# | 9100002376    |             | CONTROLLER MAIN MACHINE SIP              |       |
| EB2# | 9100002373    |             | CONTROLLER DISPLAY SIP                   |       |
| EB3  | 9100002913    |             | DASHBOARD CONTROL PANEL MOUNTED SIP      |       |
| EV1  | 9100000870    |             | Waterklep 24V PKD                        |       |
| F1   | 9100000877    |             | FUSE MIDIFUSE 100A SIP                   |       |
| F2   | 9100000878    |             | FUSE BLADE 3A PKD                        |       |
| F3#  | 9100002234    |             | FUSE BOLT DOWN 50A SIP                   |       |
| F4#  | 9100002234    |             | FUSE BOLT DOWN 50A SIP                   |       |
| IB#  | 56116477      |             | IBUTTON-PROBE                            |       |
| M1   | 9100000874    |             | REDUCTION GEARMOTOR 450W 24V PKD         |       |
| M2   | 9100001144    |             | MOTOR VACUUM 24V 310W SIP                |       |
| M3   | 9100001200    |             | MOTOR ELECTRIC 400W 24V SIP              |       |
| M4#  | 9100002398    |             | PUMP DETERG. MIX PERISTALTIC 24V SIP     |       |
| M5   | 9100001131    |             | ACTUATOR 24V DC STROKE 98MM 16MM/S PKD   | [1]   |
| M6   | 9100001133    |             | ACTUATOR 24V DC STROKE 77.5MM 16MM/S SIP |       |
| POT  | 9100001140    |             | THROTTLE ELECTRONIC PKD                  |       |
| S1#  | 9100001818    |             | SENSOR WATER LEVEL KIT                   |       |
| SW3  | 9100001130    |             | CUSHION SEAT ADHESIVE KIT                |       |
| SW4  | 9100001183    |             | MICROSWITCH KIT                          |       |
| USB  | 9100002238    |             | USB PORT KIT                             |       |

## Part Notes:

- [1] - TSB-FC-2016-007- SC2000 Actuators check  
DE TSB-FC-2016-007 SC2000 Scrubtec R2 Stellantrieb und Hauptsteuerung



# PL RECOMMENDED PARTS

SC2000I 53 B FULL PKG NIL

2017.11.02

2017.08.25

| Pos. | Artikelnummer | Hoeveelheid | Omschrijving                             | Notes |
|------|---------------|-------------|--|-------|
| NW   | 9100001511    | 1           | COVER RECOVERY TANK KIT                  |       |
| NW   | 9100000810    | 1           | Zuigmond rubbers 740MM 29" rubber        |       |
| NW   | 9100000490    | 1           | Zuigmond rubbers 740MM 29" PU            |       |
| NW   | 9100000060    | 1           | Zuigmond rubbers 740MM 29" rood rubber   |       |
| NW   | L08837025     | 1           | Borstel 21 inch Prolene 530mm            |       |
| OM   | 9100000803    | 1           | Waterkraan haaks                         |       |
| OM   | 9100000574    | 1           | BARB HOSE STRAIGHT D.19.8 G1/2 PLAST KIT |       |
| OM   | 1465355000    | 1           | CAP SOLUTION TANK KIT                    |       |
| OM   | 9100001353    | 1           | FILTER SOLUTION TANK PKD                 |       |
| OM   | 9100001578    | 1           | HOSE FRESH WATER LEVEL KIT               |       |
| OM   | 9100001139    | 2           | GASKET RUBBER D.21X33X2.5 BLACK SIP      |       |
| OM   | 9100000817    | 1           | BALL FLOATING PKD                        |       |
| OM   | 9097587000    | 1           | CAGE FLOAT                               |       |
| OM   | 9100000928    | 1           | GASKET FLOAT SUPPORT SIP                 |       |
| OM   | 9100001106    | 1           | Zuigslang L.1120MM 90                    |       |
| OM   | 9100001113    | 1           | HOSE DRAIN BLACK PKD                     |       |
| OM   | 9100001144    | 1           | MOTOR VACUUM 24V 310W SIP                |       |
| OM   | 56116518      | 1           | SMART KEY-USER Blauw                     |       |
| OM   | 56116519      | 1           | SMART KEY-SUPERVISOR Geel                |       |
| OM   | 56116477      | 1           | IBUTTON-PROBE                            |       |
| OM   | 1464432000    | 1           | Koolborstel kit 4st                      |       |
| OM   | 9100002334    | 1           | KIT ROUE D.200X76                        |       |
| OM   | 9100000860    | 1           | FILTER WATER PKD                         |       |
| OM   | 9100000861    | 1           | Filter inzet                             |       |
| OM   | 9100000862    | 1           | KNOB LOBES M8 FEMALE PKD                 |       |
| OM   | 9100000791    | 2           | KNOB M8X30 THD STUD SS PKD               |       |
| OM   | 9100000559    | 3           | Wiel d.51 grijs PKD                      |       |
| OM   | 9100000864    | 1           | STRAP ELASTIC F REAR SQUEEGEE BLADE PKD  |       |
| OM   | 9100000865    | 1           | STRAP FRONT SQUEEGEE BLADE PKD           |       |
| OM   | 9100001816    | 1           | WHEEL BUMPER D.100 PLASTIC 2 PCS SET     |       |
| OM   | 9100000748    | 1           | HARDWARE SQUEEGEE KIT                    |       |
| OM   | 9100000870    | 1           | Waterklep 24V PKD                        |       |
| OM   | 9100000871    | 1           | HUB BRUSH PKD                            |       |
| OM   | 9098376000    | 1           | Koolborstel kit 4st.                     |       |
| OM   | L08812204     | 1           | Bumper roller                            |       |
| OM   | 9100000891    | 1           | HOSE SILICONE D.4X7 L.300MM SIP          |       |
| OM   | 9100002398    | 1           | PUMP DETERG. MIX PERISTALTIC 24V SIP     |       |
| EOM  | 9100001130    | 1           | CUSHION SEAT ADHESIVE KIT                |       |
| EOM  | 9100001091    | 1           | TRAY DEBRIS SIP                          |       |
| EOM  | 9100001092    | 1           | COVER TRAY DEBRIS SIP                    |       |
| EOM  | 9100001105    | 1           | CARD ELECTRONIC KEY SIP                  |       |
| EOM  | 9100001180    | 1           | THROTTLE KIT                             |       |
| EOM  | 9100001168    | 1           | SPRING ZERO SETTING SQUEEGEE KIT         |       |
| EOM  | 9100001162    | 1           | WHEEL D.254X80 GREY-BLACK 2 PCS SET      |       |
| EOM  | 9100001200    | 1           | MOTOR ELECTRIC 400W 24V SIP              |       |
| EOM  | 9100001734    | 1           | SUPPORT BALL BEARING PHOS. PKD           |       |
| EOM  | 1467639000    | 1           | BEARING TAPER ROLLER 32004X SIP          |       |
| EOM  | 9100001160    | 1           | SCREW SHOUL 10X16 M8 ISO7379 10 PCS SET  |       |
| EOM  | 9100001101    | 1           | PIN WHEEL SIP                            |       |
| EOM  | 9100001350    | 1           | SCREW GRUB M5X10 UNI5929 10 PCS SET      |       |
| EOM  | 9100001093    | 1           | BEARING NEEDLE ROLLER NK 17/20 SIP       |       |
| EOM  | 9100001449    | 1           | HARDWARE STEERING SUPPORT KIT            |       |
| EOM  | 9100002373    | 1           | CONTROLLER DISPLAY SIP                   |       |
| EOM  | 9100002913    | 1           | DASHBOARD CONTROL PANEL MOUNTED SIP      |       |
| EOM  | 9100001174    | 1           | HOSES SOLUTION KIT                       |       |
| EOM  | 9100001131    | 1           | ACTUATOR 24V DC STROKE 98MM 16MM/S PKD   |       |
| EOM  | 9100001133    | 1           | ACTUATOR 24V DC STROKE 77.5MM 16MM/S SIP |       |
| EOM  | 9100001173    | 1           | HARDWARE ACTUATOR KIT                    |       |

# PL RECOMMENDED PARTS

SC2000I 53 B FULL PKG NIL

2017.11.02

2017.08.25

| Pos. | Artikelnummer | Hoeveelheid | Omschrijving                           | Notes |
|------|---------------|-------------|--|-------|
| EOM  | 9100000797    | 1           | HOSES BRUSH DECK KIT                   |       |
| EOM  | 9100000868    | 1           | VIBRATION DAMPING M8 60SH 2 PCS SET    |       |
| EOM  | 9100000874    | 1           | REDUCTION GEARMOTOR 450W 24V PKD       |       |
| EOM  | 909 6887 000  | 1           | Bumper roller kit                      |       |
| EOM  | 9100002376    | 1           | CONTROLLER MAIN MACHINE SIP            |       |
| EOM  | 9100002117    | 1           | CONNECTOR RED 120A PKD                 |       |
| EOM  | 9100001179    | 1           | LEVER EMERGENCY KIT                    |       |
| EOM  | 9100001145    | 1           | CHARGER BATT. O/B 24V 13A 100-230V PKD |       |
| EOM  | 9100001081    | 1           | CHEMICAL TANK PKD                      |       |
| EOM  | 56104189      | 1           | INSERT-DRY BRAKE                       |       |
| EOM  | 9100001817    | 1           | CAP PLASTIC F CHEMICAL TANK SIP        |       |
| EOM  | 56315523      | 1           | Kapje dry break, 1/8                   |       |
| EOM  | 9100001818    | 1           | SENSOR WATER LEVEL KIT                 |       |
| EOM  | 56315523      | 1           | Kapje dry break, 1/8                   |       |
| EOM  | 9100000891    | 1           | HOSE SILICONE D.4X7 L.300MM SIP        |       |
| EOM  | 9098025000    | 1           | Adaptor detergent kit                  |       |

