

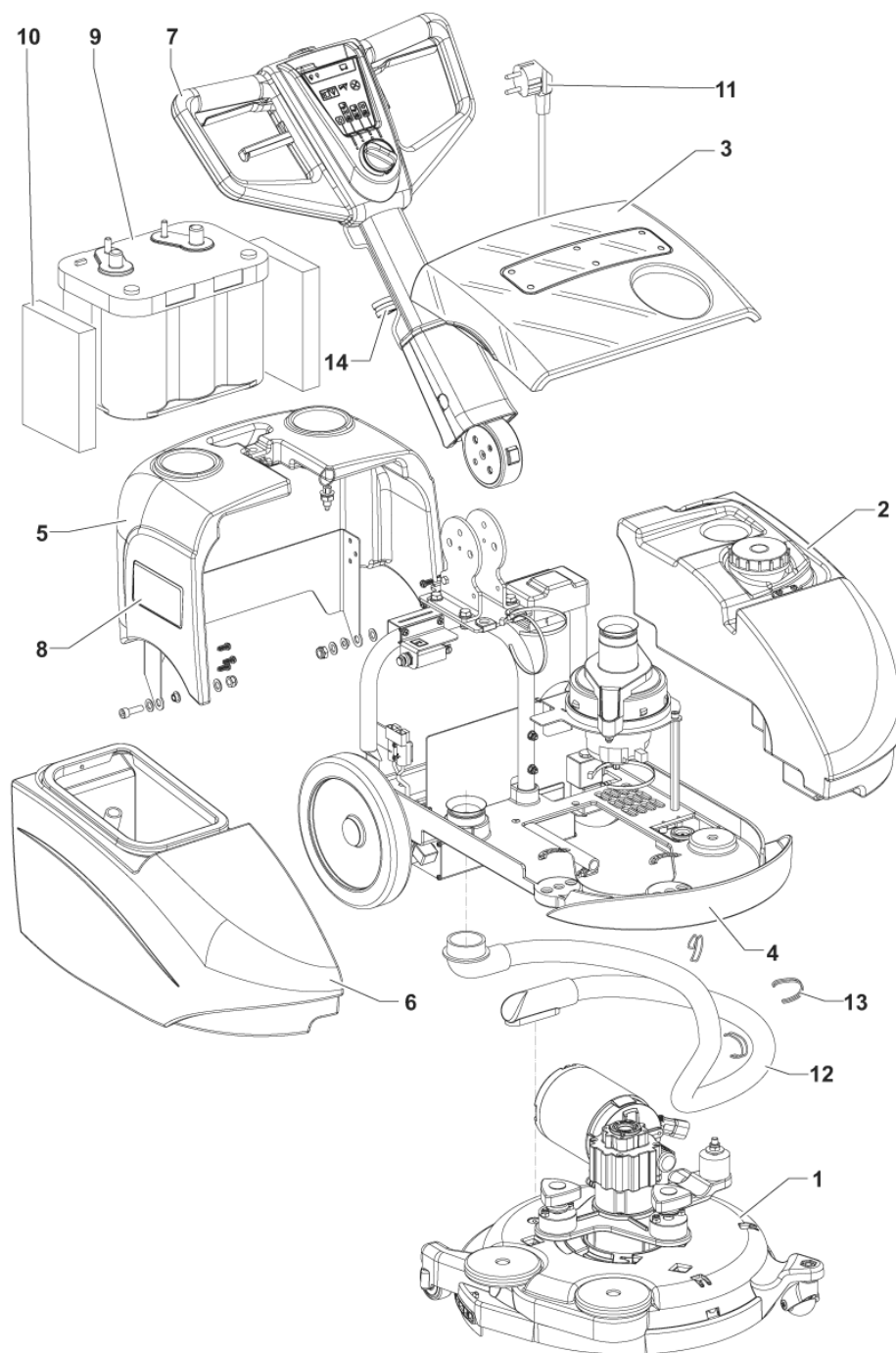
PARTS LIST



2021.04.01

TABLE OF CONTENTS

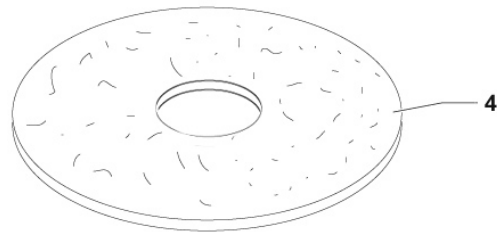
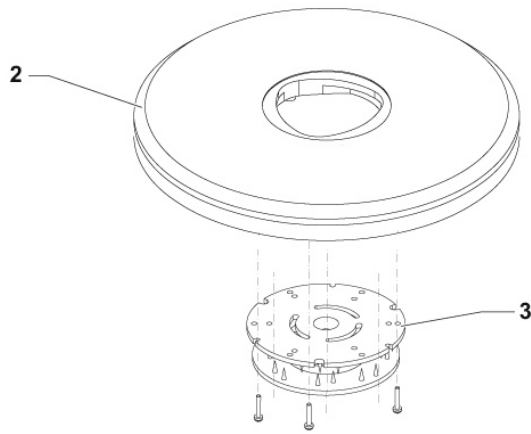
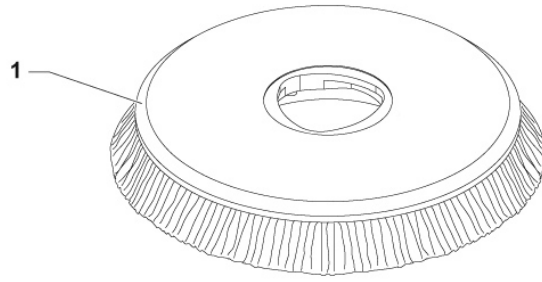
GENERAL VIEW	1
ACCESSORIES	3
COVER AND TANKS	5
FRAME SYSTEM	7
HANDLE SUPPORT SYSTEM	9
HANDLE SYSTEM	11
MOTOR AND DECK SYSTEM	13
BRUSH DECK SYSTEM	15
WIRING DIAGRAM	17
RECOMMENDED SPARE PARTS	19
OPTIONALS AND ACCESSORIES	21



Pos.	Artikelnummer	Hoeveelheid	Omschrijving	Notes
	9100002362	1	CARDBOARD BOX 870X730X540MM 10 PCS SET	
	9100002948	1	PALLET 880X550MM 5 PCS SET	
1		1	BRUSH DECK	[1]
2		1	SOLUTION TANK	[2]
3		1	COVER TANK	[2]
4		1	FRAME	[3]
5		1	BATTERY COVER	[3]
6		1	RECOVERY TANK	[2]
7		1	HANDLE	[4]
8	9100000079	1	Stickers kit SC351 NIL	[5]
8	9100000080	1	DECALS KIT SC351 ADV	[6]
9	9100001664	1	Batterij AGM Spiracel 12V - 55A	[7]
9	1464853000	1	Batterij 12V - 87 Ah gel	[8]
10	9098934000	2	Foam paneel batterij 170X110X30MM	
11	9100000787	1	Snoer Met Stekker L.2000	[5]
11	1466318000	1	Verlengkabel Uk Plug L.2000 mm SIP	[5]
11	9096914000	1	Aansluitsnoer Met Us Stekker V. Lader Ba	[6]
11	1467891000	1	Verlengkabel Swiss Plug L.2000 mm SIP	
12	9099706000	1	Zuigslang D.25 plastic	
13	9100001733	1	bEn Kabel 2.5X200 Zwart 10 Pcs Set	
14	9099301000	1	Hardware kit SC 351	

Part Notes:

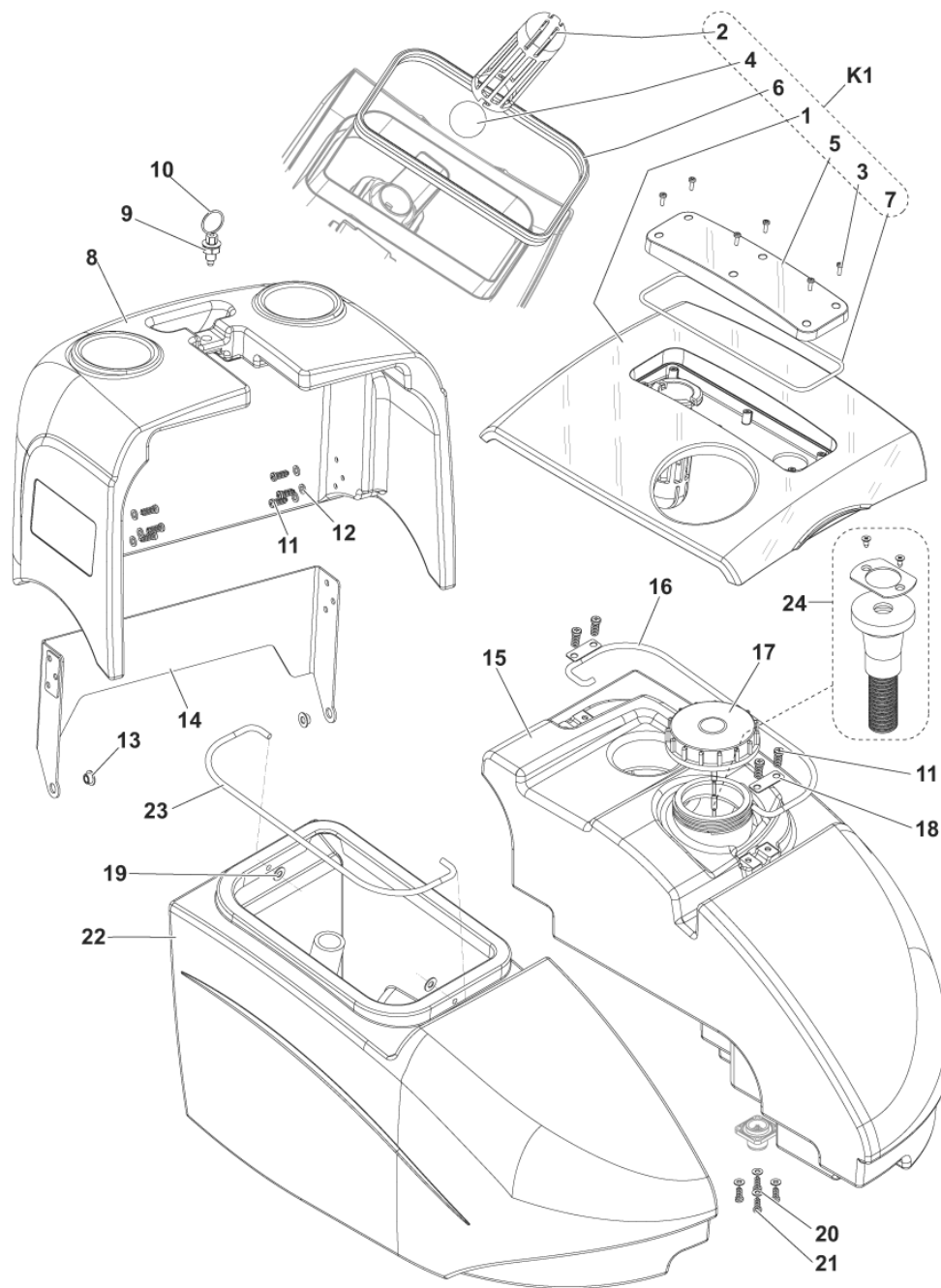
- [1] - BRUSH DECK
- [2] - COVER AND TANKS
- [3] - FRAME SYSTEM
- [4] - HANDLE SYSTEM
- [5] - NILFISK VERSION
- [6] - ADVANCE VERSION
- [7] - ONLY FOR NILFISK
- [8] - OPTIONAL FOR NILFISK
STANDARD FOR ADVANCE



Pos.	Artikelnummer	Hoeveelheid	Omschrijving	Notes
1	9099999000	1	Borstel 14 inch prolene 370mm	
1	9100000001	1	Borstel 14 inch prolite PPL 370mm	[1]
1	9100000000	1	Borstel 14 inch union mix 370 mm	[1]
1	9100000002	1	Borstel 14 inch mid grit 370mm	[1]
1	9100000003	1	Borstel 14 inch Magna grit 370mm	[1]
2	9099672000	1	Padhouder 14 inch 355 mm	[1]
3	56505195	1	Sluitplaat padhouder	[1]
4	10001918	1	Pads 14 inch Eco bruin 5 st.	[1]
4	10001920	1	Pads 14 inch Eco rood 5 st.	[1]
4	10001921	1	Pads 14 inch Eco wit 5 st.	[1]
4	10001919	1	Pads 14 inch Eco groen 5 st.	[1]

Part Notes:

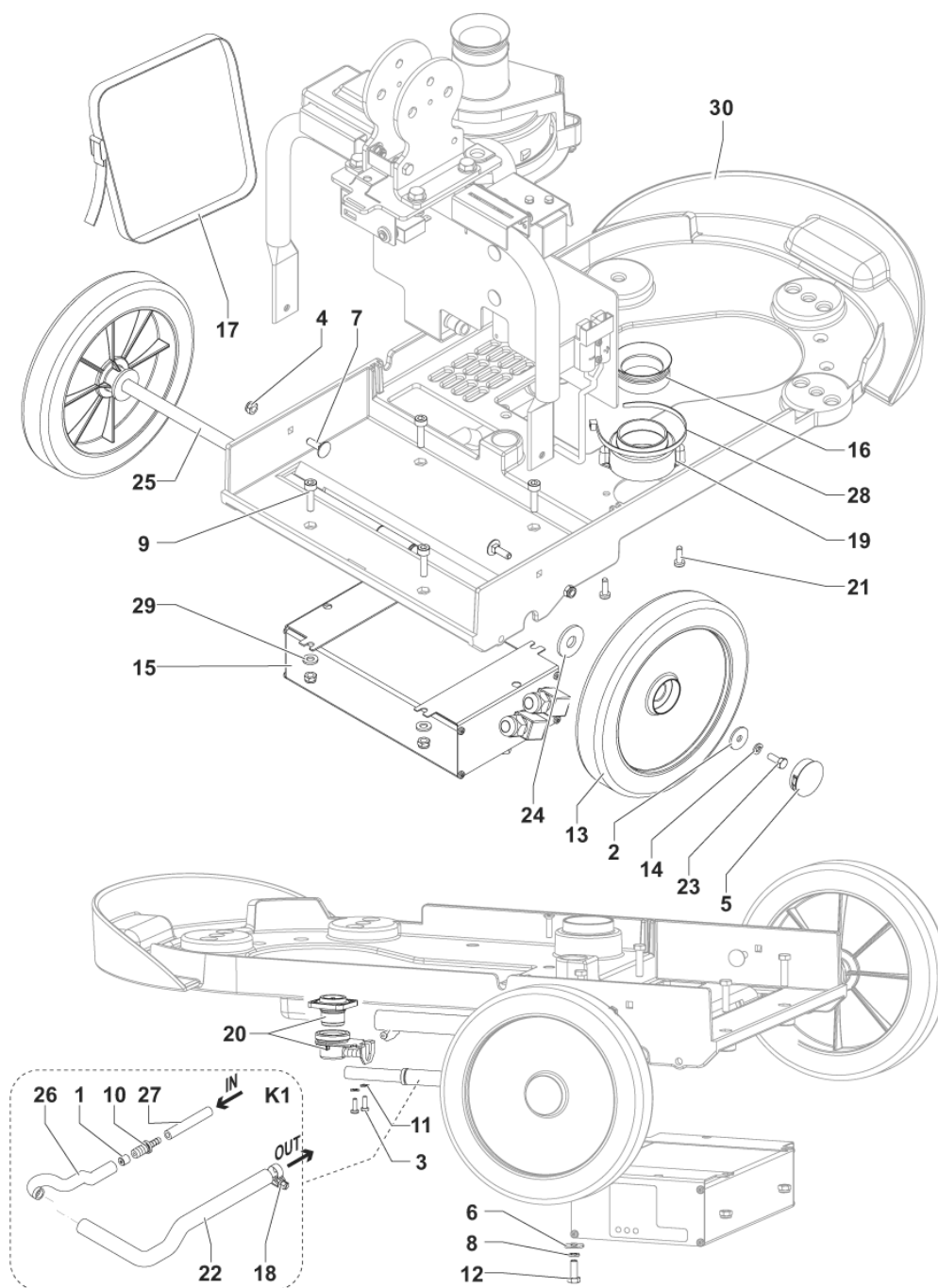
[1] - OPTIONAL



Pos.	Artikelnummer	Hoeveelheid	Omschrijving	Notes
2	9100001371	1	CAGE FLOAT PKD	
4	L08092600	1	Ventielkogel	
6	9099127000	1	Pakking schoonwatertankdeksel	
8	9098318000	1	Deksel kunststof grijs batterij	
9	145 1147 000	1	Veer	
10	1466331000	1	PLUNGER M10 D.6 W/NUT PKD	
14	9098309000	1	SUPPORT BATTERY COVER METAL	
15	9098149000	1	TANK SOLUTION RAL 7001	
16	9100000104	1	HANDLE SOLUTION TANK	
17	9100001202	1	CAP THREADED 70X5 PKD	
18	9098621000	2	JUMPER CLAMP HANDVAT	
19	9098473000	2	Asdop	
22	9098148000	1	Vuilwatertank SC 350 RAL7001	
23	9100000103	1	HANDLE RECOVERY TANK	
24	9099011000	1	Vuilslang kit	[1]
K1	9100002110	1	COVER TANK KIT	
K2	9098990000	1	HARDWARE KIT COVER EN TANK	[2]

Part Notes:

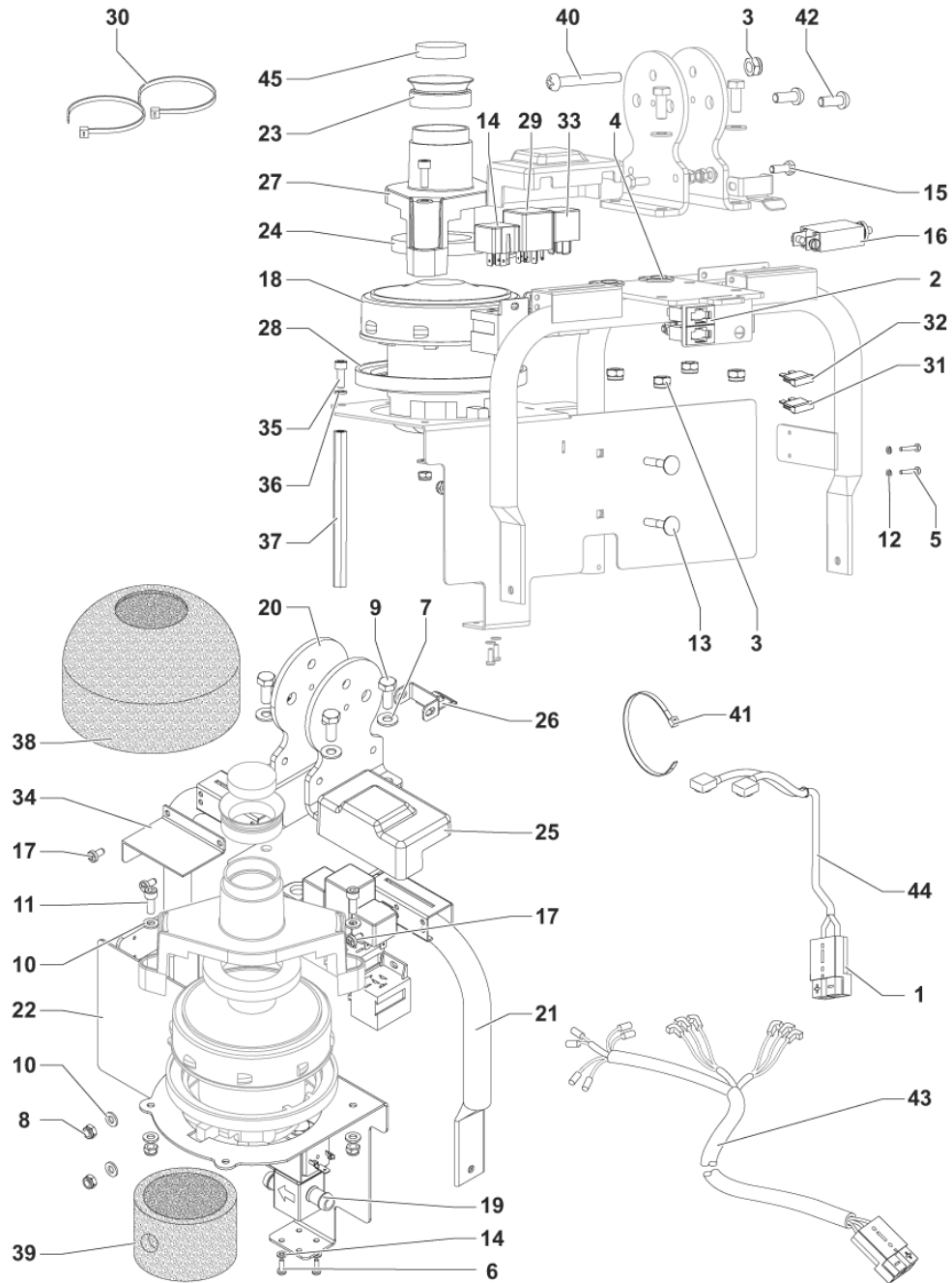
- [1] - OPTIONAL - SEE TSB-FC-2016-020
 [2] - NOT SHOWN



Pos.	Artikelnummer	Hoeveelheid	Omschrijving	Notes
13	9099732000	2	Wiel D.214	
15	9100000713	1	Lader. O/B 12V 15A 230V EU KIT	[1]
15	9100002104	1	CHARGER BATT. O/B 12V 12A 100-230V JP	[2]
15	9100002103	1	CHARGER BATT. O/B 12V 12A 100-230V US	[3]
16	9100001958	1	GASKET PKD	
17	1467834000	1	BELT BATTERY FIXING	
19	9099719000	1	SUPPORT FOR GASKET	
20	9100000514	1	Waterklep cpl.	
25	9100002588	1	SHAFT WHEELS SS KIT	
30	9099927000	1	CHASSIS KIT	
K1	9098992000	1	Hose KIT	[4]
K1	9100000476	1	HOSES SOLENOID VALVE 12V KIT	[5]
K2	9100000083	1	HARDWARE CHASSIS KIT	[6]

Part Notes:

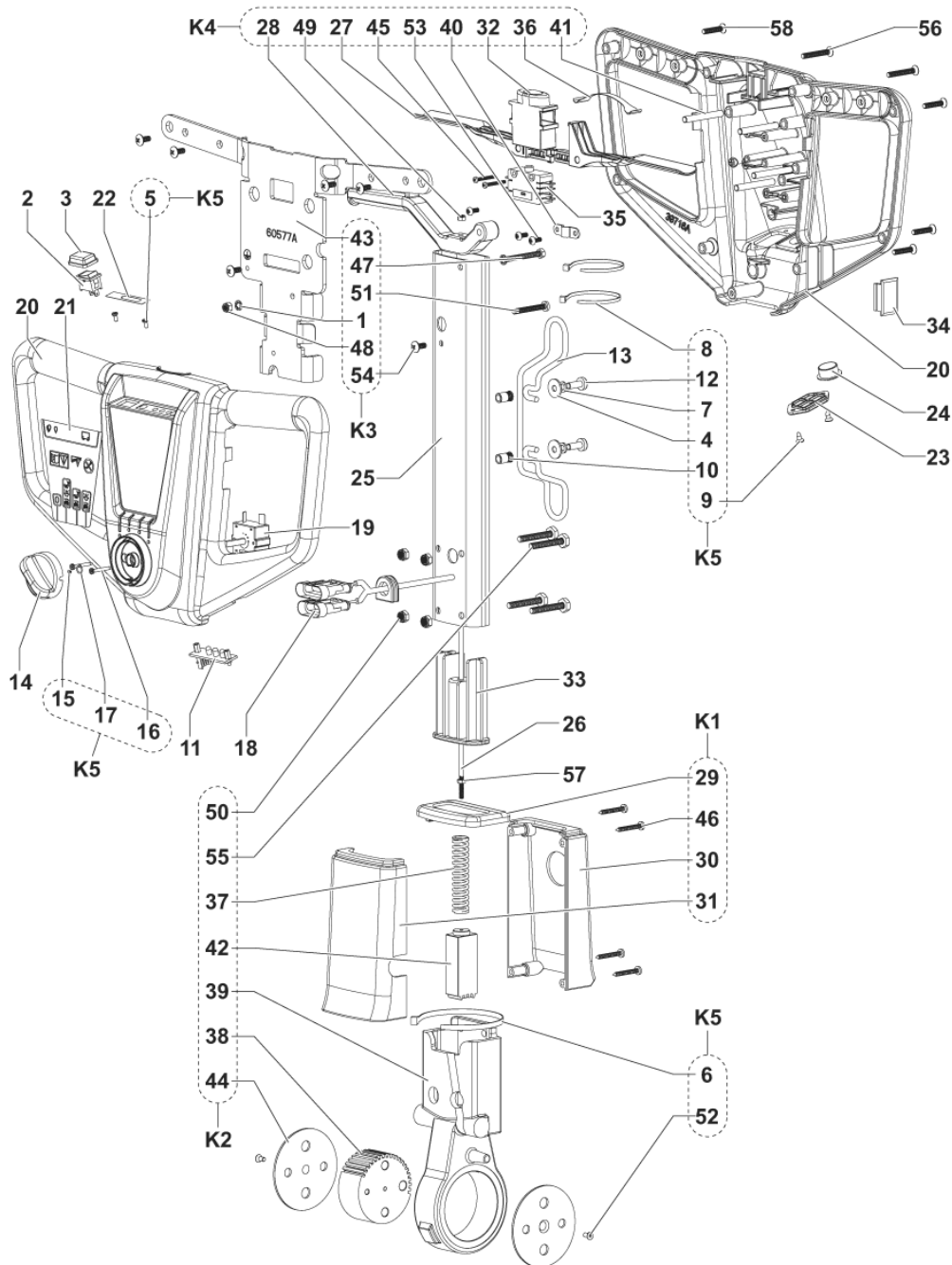
- [1] - NILFISK VERSION - INST.INSTR. 9100000712- SEE TSB-FC-2014-042
- [2] - NILFISK VERSION
- [3] - ADVANCE VERSION
- [4] - UNTIL SN 3510145009117
- [5] - STARTING SN 3510145009118
- [6] - NOT SHOWN



Pos.	Artikelnummer	Hoeveelheid	Omschrijving	Notes
1	9098760000	2	CONNECTOR 50A GREY	
2	9098924000	2	Zekeringhouder	
4	909 6542 000	2	dichtingsring	
14	9098441000	1	RELAY 12V	
16	9099802000	1	Zekering 35A	
18	9100001238	1	Zuigmotor 12V 200W SEALED PKD	
19	9098112000	1	SOLENOID VALVE 12V	[1]
19	9100000475	1	SOLENOID VALVE 12V PKD	[2]
20	9098185000	2	BRACKET HANDLE	
21	9100001411	1	SUPPORT HANDLE SIP	
22	9100002355	1	SUPPORT VACUUM MOTOR SIP	
23	9100001958	1	GASKET PKD	
24	9098327000	1	GASKET VACUUM MOTOR	
25	9098365000	1	COVER RELAY	
26	9098482000	1	BRACKET PLUNGER BLOCK	
27	9098483000	1	COVER VACUUM MOTOR	
28	9098554000	1	Pakking Zuigmotor	
29	9098375000	1	TIMER CYCLICAL	
31	145 8513 000	1	Zekering 30A P365	
32	145 9852 000	1	Zekering 5A diablo	
33	146 3113 000	1	Relais 12V 70Ah Tyco	
34	9099731000	1	SUPPORT CIRCUIT BRAKER	
37	9098559000	1	SPACER SUPPORT VACUUM MOTOR	
38	9098656000	1	Behuizing Zuigmotor	
39	9098925000	1	Onderkap zuigmotor	
43	9099330000	1	HARNESS MACHINE	[3]
43	9100000477	1	HARNESS MACHINE PKD	[4]
43	L08603885	1	CONNECTOR TYPE DIN 46340	[4]
44	9098849000	1	Batterij bekabeling	
45	9100001278	1	FILTER VACUUM MOTOR PKD	
K1	9100000084	1	HARDWARE HANDLE BAR SUPPORT KIT	[5]

Part Notes:

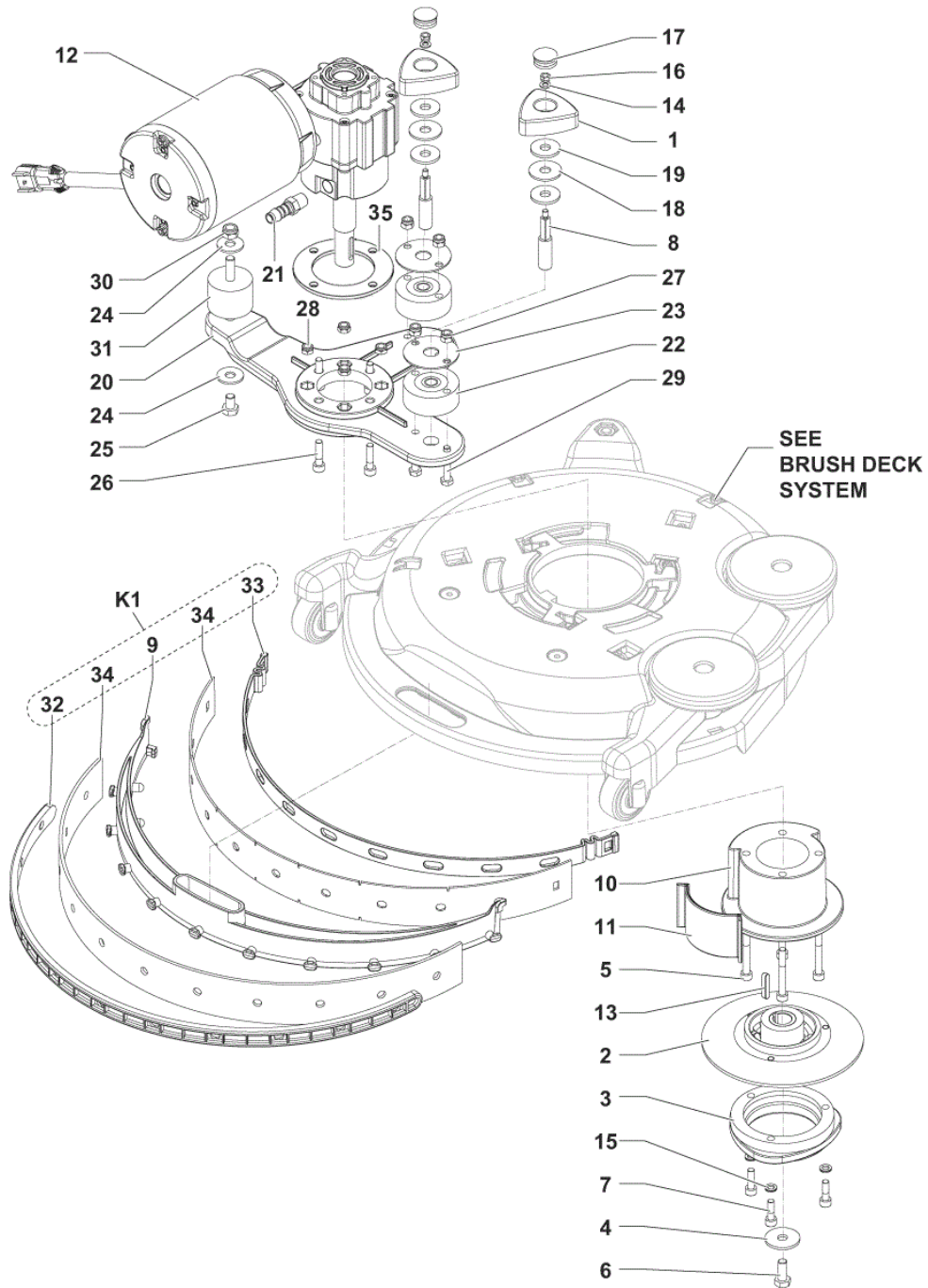
- [1] - UNTIL SN 3510145009117
- [2] - SOLENOID VALVE W/ HOSE - STARTING FROM SN 3510145009118
- [3] - NO LONGER AVAILABLE
- UNTIL SN 3510145009117
- [4] - STARTING SN 3510145009118
- [5] - NOT SHOWN



Pos.	Artikelnummer	Hoeveelheid	Omschrijving	Notes
2	L08603153	1	Schakelaar CA 340	[1]
3	L08603154	1	Schakelaarkapje CA340	
11	146 3073 000	1	BOARD LED	
13	1466317000	1	Support Kabel Set	
14	9097283000	1	BEDIENINGSFUNCTIE KNOP	
18	9099331000	1	HARNES HANDLE BAR	
19	9099332000	1	Draaibare schakelaar 4 standen	
20	9100000101	1	COVERS HANDLE GREY KIT	
21	9099733000	1	DECAL CONTROL PANEL	
22	9098616000	1	Sticker batterijcontrole	[1]
23	9098812000	1	CAP FOR HANDLE	
24	9098813000	1	CAP D.18.5/D.24MM BLACK	
25	9098835000	1	TUBE OF HANDLE	
26	9098836000	1	Trekstang D.4 405mm	
33	VF47033	1	RETAINER	
34	VF54041	1	HANDLE PLUG	
35	40263A	1	Switch DPST	
56	80398A	2	SCREW M5X35 SS HEAD PHILLIPS	
57	VV13609	1	NUT M4	
58	80407A	4	SCREW M5X25 SS FLAT HEAD PHILLIPS	
K1	11271A	1	REAR AND FRONT COVER KIT	
K2	11272A	1	LOWER HOUSING KIT	
K3	11273A	1	HANDLE SUPPORT KIT	
K4	11274A	1	KIT BEDIENINGSHANDVAT	
K5	9098995000	1	HARDWARE HANDLE BAR KIT	

Part Notes:

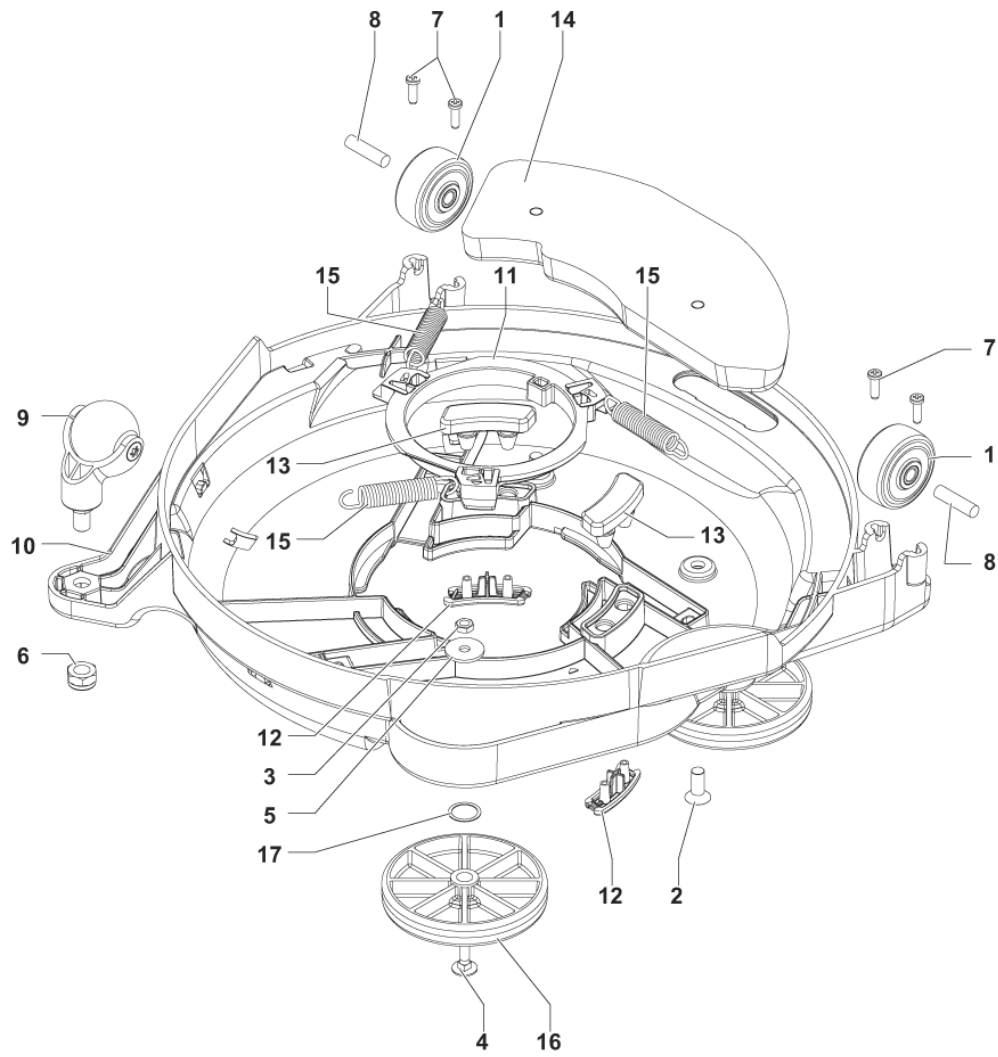
[1] - STOCK COVERS GUARANTEE



Pos.	Artikelnummer	Hoeveelheid	Omschrijving	Notes
1	L08812203	2	Knop	
2	L08812306	1	Naaf, rechter aandr.borst	
3	L08812480	1	Flens borstel BA 450/530	
8	9098557000	2	PIN BRUSH PLATE FIXING	
10	9100000955	1	FLANGE DECK KIT	
11	9099736000	1	SPACER LIMIT	
12	9100000679	1	REDUCTION GEARMOTOR 260W 12V PKD	
13	1466146000	1	Spie 5X5X25 UNI6604A PKD	
17	L08812426	2	Dop knop	
20	9099718000	1	SUPPORT DECK	
21	L08601624	1	Verlooprubber	[1]
21	9100000478	1	HOLDER RUBBER STRAIGHT 1/4 D.6 SIP	[2]
22	L08812213	2	Buffer	
23	L08812779	2	Beschermplaat	
31	9100000868	1	VIBRATION DAMPING M8 60SH 2 PCS SET	
32	9099707000	1	STRAP ELASTIC REAR	
33	9099708000	1	STRAP ELASTIC FRONT	
34	9100000077	1	Zuigstripset 14 inch PU 370mm	
34	9100000302	1	Zuigstripset 14 inch rood 370mm	[3]
K1	9100000085	1	Zuigmond 438MM/17	
K2	9100000086	1	HARDWARE MOTOR AND DECK KIT	[4]

Part Notes:

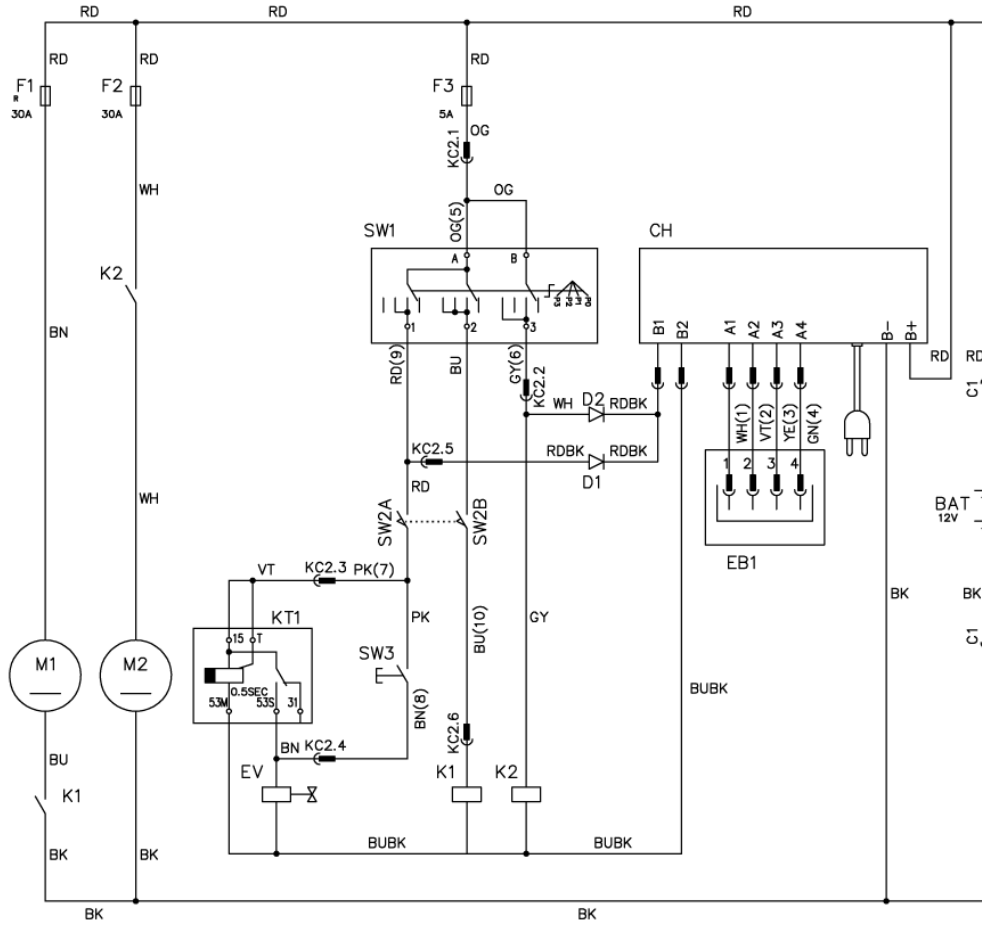
- [1] - UNTIL SN 3510145009117
- [2] - STARTING SN 3510145009118
- [3] - OPTIONAL
- [4] - NOT SHOWN



Pos.	Artikelnummer	Hoeveelheid	Omschrijving	Notes
1	9100000559	2	Wiel d.51 grijs PKD	
9	9099163000	1	WHEEL CASTOR D.42	
10	9099712000	1	Borsteldeck 350MM/14	
11	9099713000	1	Centrale flens	
14	9100002162	1	COUNTERWEIGHT SIP	
15	9099720000	3	Veer tractie borsteldeck	
16	9100001816	1	WHEEL BUMPER D.100 PLASTIC 2 PCS SET	
K1	9100000087	1	CLUTCH KIT	[1]
K2	9100000088	1	HARDWARE BRUSH DECK KIT	[1]

Part Notes:

[1] - NOT SHOWN



Pos.	Artikelnummer	Hoeveelheid	Omschrijving	Notes
BAT	9100001664		Batterij AGM Spiracel 12V - 55A	
CH	9100000713		Lader. O/B 12V 15A 230V EU KIT	
CH	9100002103		CHARGER BATT. O/B 12V 12A 100-230V US	
EB1	146 3073 000		BOARD LED	
EV	9098112000		SOLENOID VALVE 12V	
F1	9099802000		Zekering 35A	
F2	145 8513 000		Zekering 30A P365	
F3	145 9852 000		Zekering 5A diablo	
K1	146 3113 000		Relais 12V 70Ah Tyco	
K2	9098441000		RELAY 12V	
KT1	9098375000		TIMER CYCLICAL	
M1	9100000679		REDUCTION GEARMOTOR 260W 12V PKD	
M2	9100001238		Zuigmotor 12V 200W SEALED PKD	
SW1	9099332000		Draaibare schakelaar 4 standen	
SW2	40263A		Switch DPST	
SW3	L08603153		Schakelaar CA 340	[1]

Part Notes:

[1] - STOCK COVERS GUARANTEE

RECOMMENDED SPARE PARTS

SC351 NIL

2017.11.02

2016.12.02

Pos.	Artikelnummer	Hoeveelheid	Omschrijving	Notes
NW	910000077	1	Zuigstripset 14 inch PU 370mm	
NW	9099999000	1	Borstel 14 inch prolene 370mm	
OM	9099707000	1	STRAP ELASTIC REAR	
OM	9099708000	1	STRAP ELASTIC FRONT	
OM	9099127000	1	Pakking schoonwatertankdeksel	
OM	9100001958	2	GASKET PKD	
OM	9100001238	1	Zuigmotor 12V 200W SEALED PKD	
OM	9098327000	1	GASKET VACUUM MOTOR	
OM	9100000679	1	REDUCTION GEARMOTOR 260W 12V PKD	
OM	L08812480	1	Flens borstel BA 450/530	
OM	9099706000	1	Zuigslang D.25 plastic	
OM	9100000559	2	Wiel d.51 grijs PKD	
OM	9099163000	1	WHEEL CASTOR D.42	
OM	9100000087	1	CLUTCH KIT	
OM	9100000085	1	Zuigmond 438MM/17	
EOM	9099712000	1	Borsteldeck 350MM/14	
EOM	9100001816	1	WHEEL BUMPER D.100 PLASTIC 2 PCS SET	
EOM	9099732000	2	Wiel D.214	
EOM	9100000713	1	Lader. O/B 12V 15A 230V EU KIT	
EOM	9100002103	1	CHARGER BATT. O/B 12V 12A 100-230V US	
EOM	9100000514	1	Waterklep cpl.	
EOM	9098992000	1	Hose KIT	
EOM	9098760000	2	CONNECTOR 50A GREY	
EOM	9099802000	1	Zekering 35A	
EOM	9098112000	1	SOLENOID VALVE 12V	
EOM	146 3113 000	1	Relais 12V 70Ah Tyco	
EOM	9098441000	1	RELAY 12V	
EOM	9098375000	1	TIMER CYCLICAL	
EOM	145 8513 000	1	Zekering 30A P365	
EOM	145 9852 000	1	Zekering 5A diablo	
EOM	9099332000	1	Draaibare schakelaar 4 standen	
EOM	40263A	1	Switch DPST	
EOM	L08603153	1	Schakelaar CA 340	[1]

Part Notes:

[1] - STOCK COVERS GUARANTEE

Pos.	Artikelnummer	Hoeveelheid	Omschrijving	Notes
	1464853000	1	Batterij 12V - 87 Ah gel	
	9099011000	1	Vuilslang kit	[1]
	9100000001	1	Borstel 14 inch prolite PPL 370mm	
	9100000000	1	Borstel 14 inch union mix 370 mm	
	9100000002	1	Borstel 14 inch mid grit 370mm	
	9100000003	1	Borstel 14 inch Magna grit 370mm	
	9099672000	1	Padhouder 14 inch 355 mm	
	10001918	1	Pads 14 inch Eco bruin 5 st.	
	10001920	1	Pads 14 inch Eco rood 5 st.	
	10001921	1	Pads 14 inch Eco wit 5 st.	
	10001919	1	Pads 14 inch Eco groen 5 st.	
	9100000302	1	Zuigstripset 14 inch rood 370mm	

Part Notes:

[1] - SEE TSB-FC-2016-020

