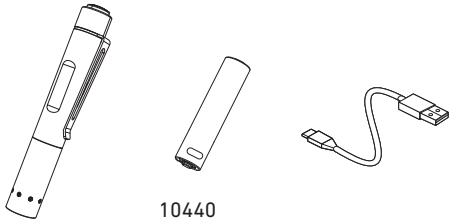
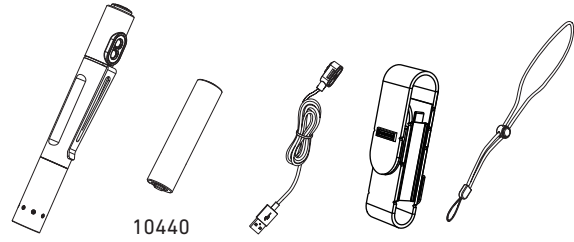


LEDLENSER P2R

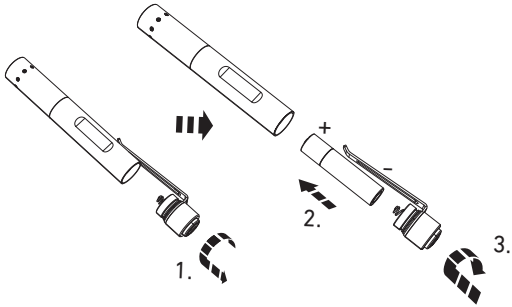
P2R Core



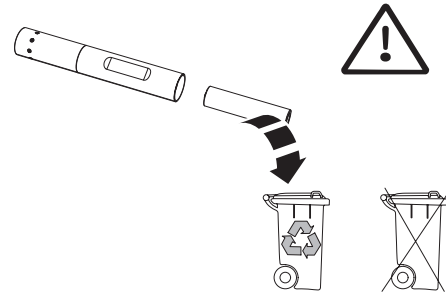
P2R Work



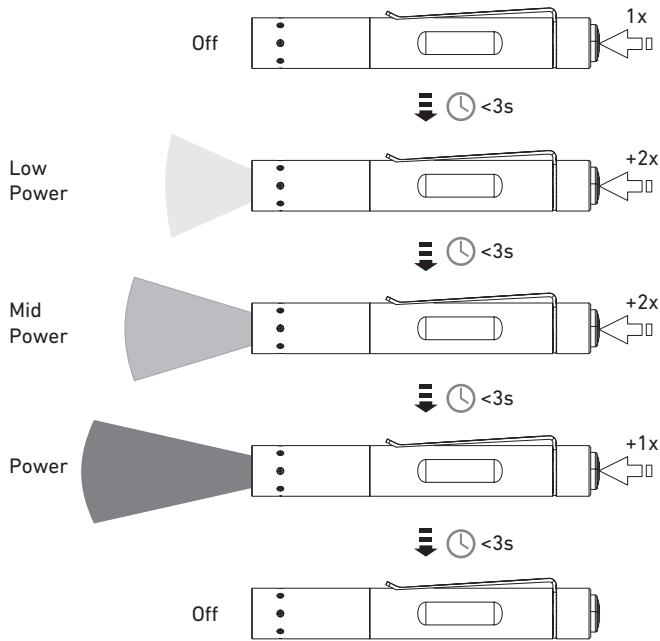
Battery Replacement



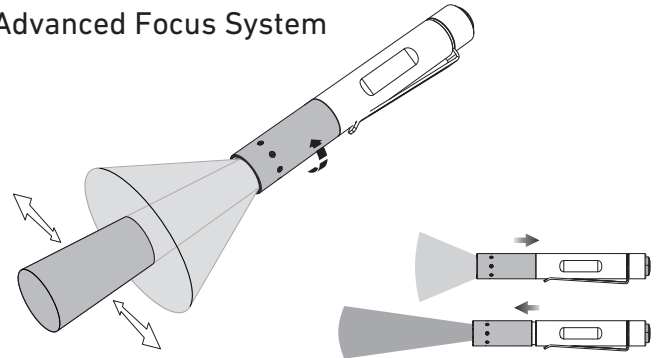
Recycling



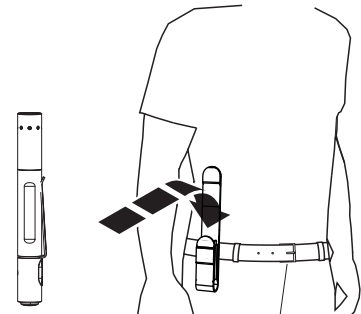
Operation



Advanced Focus System

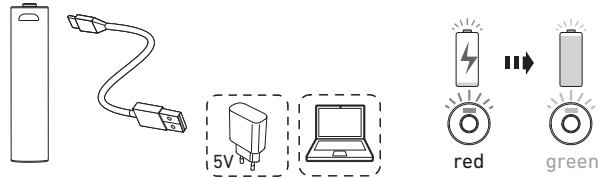


Pouch (P2R Work)

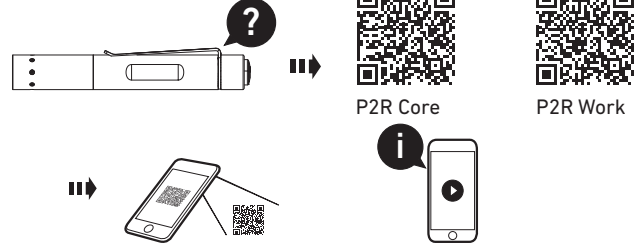


LEDLENSER P2R

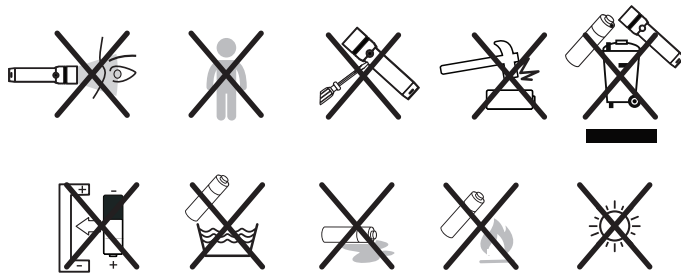
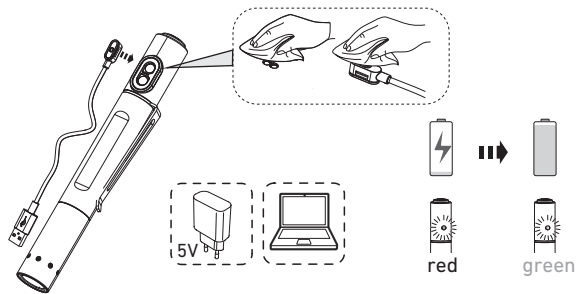
Battery Charging System (P2R Core)



Further Information



Magnetic Charging System (P2R Work)



Ledlenser GmbH & Co. KG
 Kronenstrasse 5-7 • 42699 Solingen • Germany
 Phone +49 212/5948-0 Fax +49 212/5948-200
 info@ledlenser.com



ledlenser.com



P2R_V02
 2021.07.06
 1J12A0447