

DEWALT®

XR LI-ION

www.DEWALT.com

DCMASPH6

Fig. A

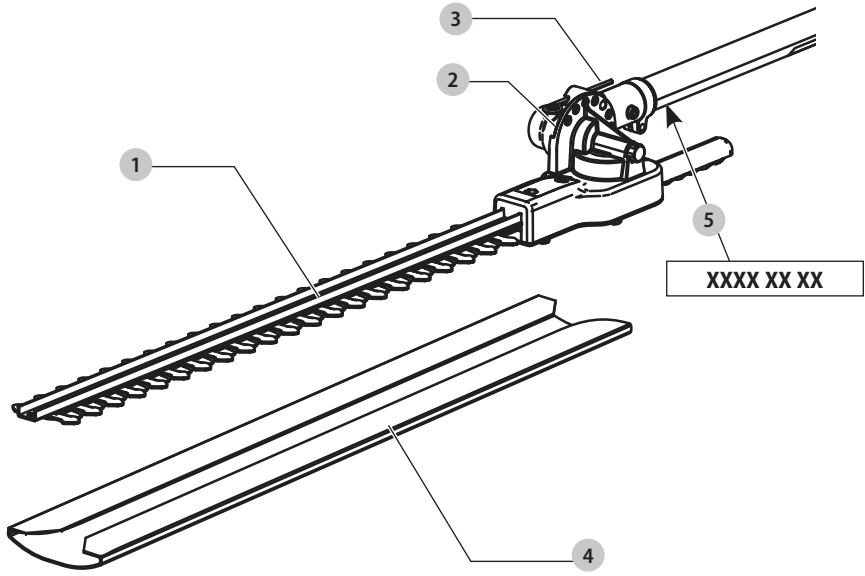


Fig. B

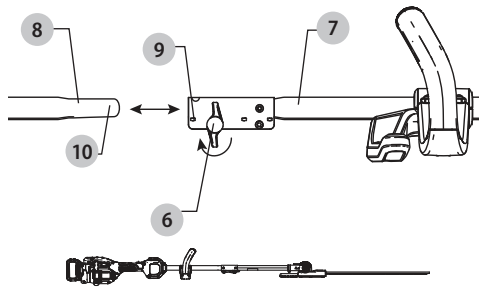


Fig. C

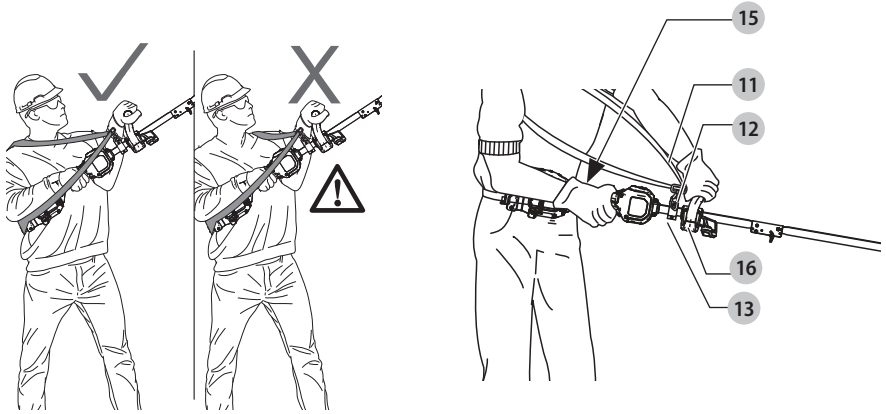


Fig. D

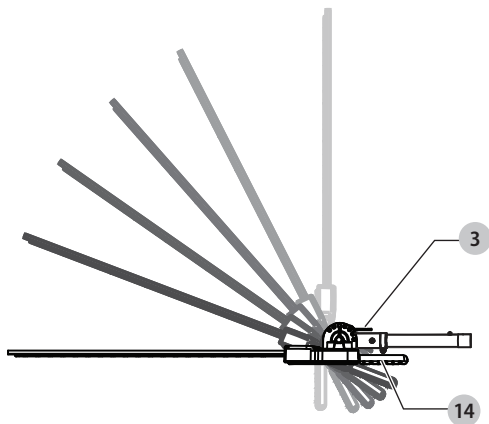


Fig. E

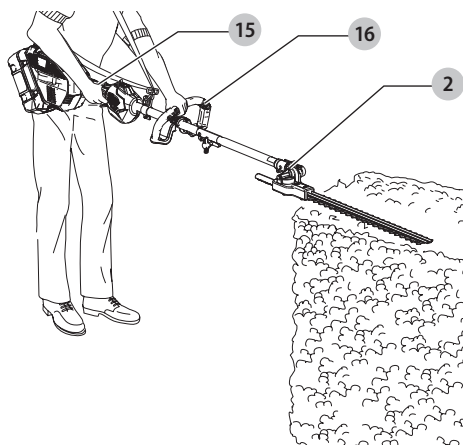


Fig. F

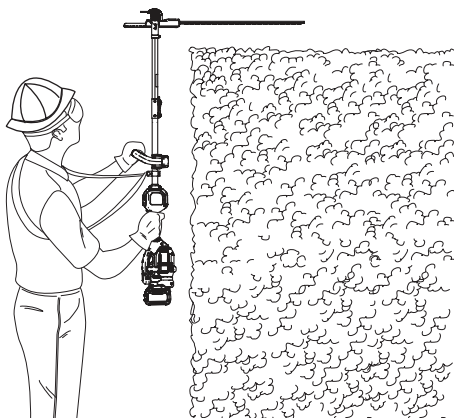


Fig. G

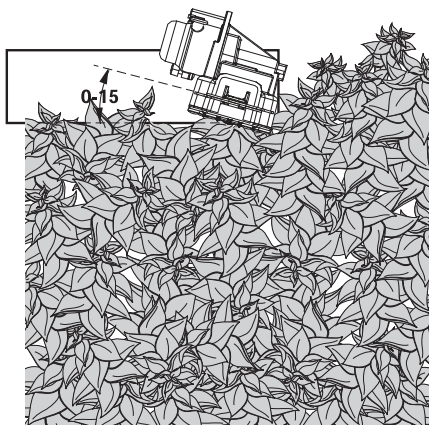


Fig. H

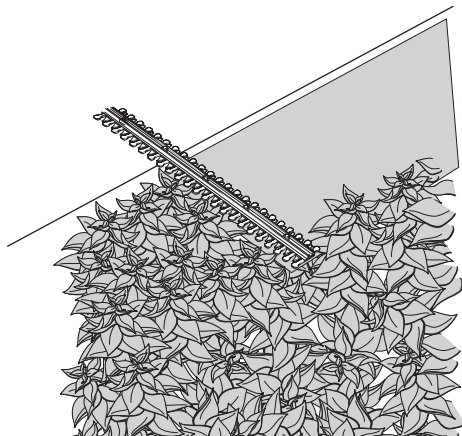


Fig. I

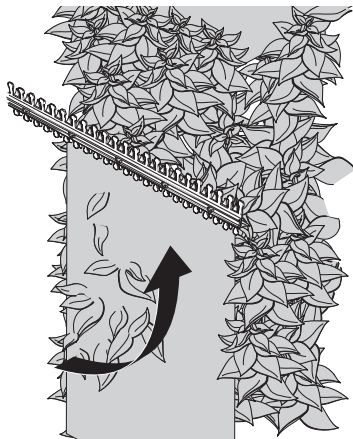


Fig. J

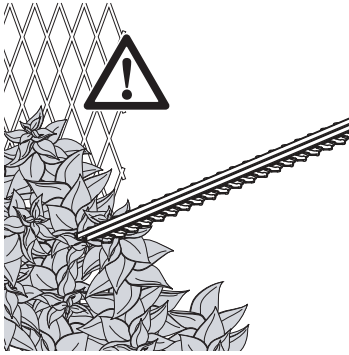
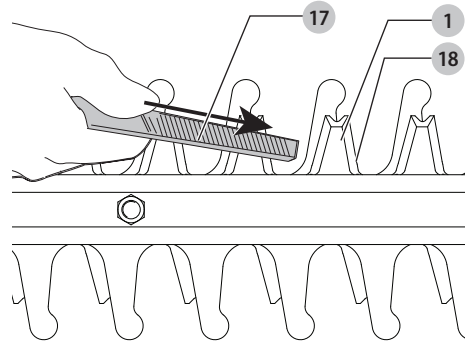


Fig. K



POLE HEDGE TRIMMER

DCMASPH6

Congratulations!

You have chosen a DEWALT tool. Years of experience, thorough product development and innovation make DEWALT one of the most reliable partners for professional power tool users.

Technical Data

DCMASPH6		
Voltage	V_{DC}	54
Battery type		Li-Ion
SPM		2800
Weight	kg	2.5
Bar Length	cm	55
Maximum Cutting Gap	mm	19
Noise values and vibration values (tri-ax vector sum) according to EN62841-1		
L_{PA} (emission sound pressure level)	dB(A)	81
K (uncertainty of sound pressure level)	dB(A)	3
L_{WA} (sound power level)	dB(A)	92
K (uncertainty for the given sound level)	dB(A)	1.4
Vibration emission value $a_h =$		
	m/s^2	2.5
Uncertainty K =		
	m/s^2	1.5

The vibration and/or noise emission level given in this information sheet has been measured in accordance with a standardised test given in EN62841 and may be used to compare one tool with another. It may be used for a preliminary assessment of exposure.

WARNING: The declared vibration and/or noise emission level represents the main applications of the tool. However if the tool is used for different applications, with different accessories or poorly maintained, the vibration and/or noise emission may differ. This may significantly increase the exposure level over the total working period.

An estimation of the level of exposure to vibration and/or noise should also take into account the times when the tool is switched off or when it is running but not actually doing the job. This may significantly reduce the exposure level over the total working period.

Identify additional safety measures to protect the operator from the effects of vibration and/or noise such as: maintain the tool and the accessories, keep the hands warm (relevant for vibration), organisation of work patterns.

EC-Declaration of Conformity Machinery Directive



54V Pole Hedge Trimmer DCMASPH6

DEWALT declares that these products described under **Technical Data** are in compliance with: 2006/42/EC, EN62841-1:2015, EN 62841-4-2:2019. 2000/14/EC, Annex V DEKRA Certification B.V.

Meander 1051 / P.O. box 5185

6525 MJ ARNHEM / 6802 ED

ARNHEM, Netherlands

LPA (measured sound pressure) 81 dB(A)

uncertainty (K) = 3 dB (A)

LWA (guaranteed sound power) 94 dB(A)

These products also comply with Directive 2014/30/EU and 2011/65/EU. For more information, please contact DEWALT at the following address or refer to the back of the manual.

The undersigned is responsible for compilation of the technical file and makes this declaration on behalf of DEWALT

Markus Rompel
Vice-President Engineering, PTE-Europe
DEWALT, Richard-Klinger-Straße 11,
65510, Idstein, Germany
31.12.2020



WARNING: To reduce the risk of injury, read the instruction manual.

Definitions: Safety Guidelines

The definitions below describe the level of severity for each signal word. Please read the manual and pay attention to these symbols.



DANGER: Indicates an imminently hazardous situation which, if not avoided, **will** result in **death or serious injury**.



WARNING: Indicates a potentially hazardous situation which, if not avoided, **could** result in **death or serious injury**.



CAUTION: Indicates a potentially hazardous situation which, if not avoided, **may** result in **minor or moderate injury**.

NOTICE: Indicates a practice **not related to personal injury** which, if not avoided, **may** result in **property damage**.



Denotes risk of electric shock.



Denotes risk of fire.

GENERAL POWER TOOL SAFETY WARNINGS



WARNING: Read all safety warnings, instructions, illustrations and specifications provided with this power tool. Failure to follow all instructions listed below may result in electric shock, fire and/or serious injury.

SAVE ALL WARNINGS AND INSTRUCTIONS FOR FUTURE REFERENCE

The term "power tool" in the warnings refers to your mains-operated (corded) power tool or battery-operated (cordless) power tool.

1) Work Area Safety

- a) **Keep work area clean and well lit.** Cluttered or dark areas invite accidents.
- b) **Do not operate power tools in explosive atmospheres, such as in the presence of flammable liquids, gases or dust.** Power tools create sparks which may ignite the dust or fumes.
- c) **Keep children and bystanders away while operating a power tool.** Distractions can cause you to lose control.

2) Electrical Safety

- a) **Power tool plugs must match the outlet. Never modify the plug in any way. Do not use any adapter plugs with earthed (grounded) power tools.** Unmodified plugs and matching outlets will reduce risk of electric shock.
- b) **Avoid body contact with earthed or grounded surfaces, such as pipes, radiators, ranges and refrigerators.** There is an increased risk of electric shock if your body is earthed or grounded.
- c) **Do not expose power tools to rain or wet conditions.** Water entering a power tool will increase the risk of electric shock.
- d) **Do not abuse the cord. Never use the cord for carrying, pulling or unplugging the power tool. Keep cord away from heat, oil, sharp edges or moving parts.** Damaged or entangled cords increase the risk of electric shock.
- e) **When operating a power tool outdoors, use an extension cord suitable for outdoor use.** Use of a cord suitable for outdoor use reduces the risk of electric shock.
- f) **If operating a power tool in a damp location is unavoidable, use a residual current device (RCD) protected supply.** Use of an RCD reduces the risk of electric shock.

3) Personal Safety

- a) **Stay alert, watch what you are doing and use common sense when operating a power tool. Do not use a power tool while you are tired or under the influence of drugs, alcohol or medication.** A moment of inattention while operating power tools may result in serious personal injury.
- b) **Use personal protective equipment. Always wear eye protection.** Protective equipment such as a dust mask, non-skid safety shoes, hard hat or hearing protection used for appropriate conditions will reduce personal injuries.

- c) **Prevent unintentional starting. Ensure the switch is in the off-position before connecting to power source and/or battery pack, picking up or carrying the tool.** Carrying power tools with your finger on the switch or energising power tools that have the switch on invites accidents.
- d) **Remove any adjusting key or wrench before turning the power tool on.** A wrench or a key left attached to a rotating part of the power tool may result in personal injury.
- e) **Do not overreach. Keep proper footing and balance at all times.** This enables better control of the power tool in unexpected situations.
- f) **Dress properly. Do not wear loose clothing or jewellery. Keep your hair and clothing away from moving parts.** Loose clothes, jewellery or long hair can be caught in moving parts.
- g) **If devices are provided for the connection of dust extraction and collection facilities, ensure these are connected and properly used.** Use of dust collection can reduce dust-related hazards.
- h) **Do not let familiarity gained from frequent use of tools allow you to become complacent and ignore tool safety principles.** A careless action can cause severe injury within a fraction of a second.

4) Power Tool Use and Care

- a) **Do not force the power tool. Use the correct power tool for your application.** The correct power tool will do the job better and safer at the rate for which it was designed.
- b) **Do not use the power tool if the switch does not turn it on and off.** Any power tool that cannot be controlled with the switch is dangerous and must be repaired.
- c) **Disconnect the plug from the power source and/or remove the battery pack, if detachable, from the power tool before making any adjustments, changing accessories, or storing power tools.** Such preventive safety measures reduce the risk of starting the power tool accidentally.
- d) **Store idle power tools out of the reach of children and do not allow persons unfamiliar with the power tool or these instructions to operate the power tool.** Power tools are dangerous in the hands of untrained users.
- e) **Maintain power tools and accessories. Check for misalignment or binding of moving parts, breakage of parts and any other condition that may affect the power tool's operation. If damaged, have the power tool repaired before use.** Many accidents are caused by poorly maintained power tools.
- f) **Keep cutting tools sharp and clean.** Properly maintained cutting tools with sharp cutting edges are less likely to bind and are easier to control.
- g) **Use the power tool, accessories and tool bits etc. in accordance with these instructions, taking into account the working conditions and the work to be performed.** Use of the power tool for operations different from those intended could result in a hazardous situation.

- h) **Keep handles and grasping surfaces dry, clean and free from oil and grease.** Slippery handles and grasping surfaces do not allow for safe handling and control of the tool in unexpected situations.

5) Battery Tool Use and Care

- a) **Recharge only with the charger specified by the manufacturer.** A charger that is suitable for one type of battery pack may create a risk of fire when used with another battery pack.
- b) **Use power tools only with specifically designated battery packs.** Use of any other battery packs may create a risk of injury and fire.
- c) **When battery pack is not in use, keep it away from other metal objects, like paper clips, coins, keys, nails, screws or other small metal objects, that can make a connection from one terminal to another.** Shorting the battery terminals together may cause burns or a fire.
- d) **Under abusive conditions, liquid may be ejected from the battery; avoid contact. If contact accidentally occurs, flush with water. If liquid contacts eyes, additionally seek medical help.** Liquid ejected from the battery may cause irritation or burns.
- e) **Do not use a battery pack or tool that is damaged or modified.** Damaged or modified batteries may exhibit unpredictable behaviour resulting in fire, explosion or risk of injury.
- f) **Do not expose a battery pack or tool to fire or excessive temperature.** Exposure to fire or temperature above 130 °C may cause explosion.
- g) **Follow all charging instructions and do not charge the battery pack or tool outside the temperature range specified in the instructions.** Charging improperly or at temperatures outside the specified range may damage the battery and increase the risk of fire.

6) Service

- a) **Have your power tool serviced by a qualified repair person using only identical replacement parts.** This will ensure that the safety of the power tool is maintained.
- b) **Never service damaged battery packs.** Service of battery packs should only be performed by the manufacturer or authorized service providers.

Hedge Trimmer Safety Warnings



WARNING: Cutting elements continue to move after the motor is switched off.



DANGER: Keep hands away from blade. Contact with blade will result in serious personal injury.



CAUTION: Do not expose to rain.



CAUTION: Wear eye protection.

- a) **Keep all parts of the body away from the blade. Do not remove cut material or hold material to be cut when blades are moving. Blades continue to move after the switch is turned off.** A moment of inattention

while operating the hedge trimmer may result in serious personal injury.

- b) **Carry the hedge trimmer by the handle with the blade stopped and taking care not to operate any power switch.** Proper carrying of the hedge trimmer will decrease the risk of inadvertent starting and resultant personal injury from the blades.
- c) **When transporting or storing the hedge trimmer, always fit the blade cover.** Proper handling of the hedge trimmer will decrease the risk of personal injury from the blades.
- d) **When clearing jammed material or servicing the unit, make sure all power switches are off and the battery pack is removed or disconnected.** Unexpected actuation of the hedge trimmer while clearing jammed material or servicing may result in serious personal injury.
- e) **Hold the hedge trimmer by insulated gripping surfaces only, because the blade may contact hidden wiring.** Blades contacting a "live" wire may make exposed metal parts of the hedge trimmer "live" and could give the operator an electric shock.
- f) **Keep all power cords and cables away from cutting area.** Power cords or cables may be hidden in hedges or bushes and can be accidentally cut by the blade.
- g) **Do not use the hedge trimmer in bad weather conditions, especially when there is a risk of lightning.** This decreases the risk of being struck by lightning.

Extended Reach Hedge Trimmer Safety Warnings

- a) **To reduce the risk of electrocution, never use the extended-reach hedge trimmer near any electrical power lines.** Contact with or use near power lines may cause serious injury or electric shock resulting in death.
- b) **Always use two hands when operating the extended-reach hedge trimmer.** Hold the extended-reach hedge trimmer with both hands to avoid loss of control.
- c) **Always use head protection when operating the extended-reach hedge trimmer overhead.** Falling debris can result in serious personal injury.
- d) **Check the hedge for foreign objects, e.g. wire fences.**

Additional Safety Instructions For All Hedge Trimmers

- a) **The hedge trimmer is intended to be used by the operator at ground level and not on ladders or any other unstable support.**
- b) **Before operating the hedge trimmer, the user should make sure the locking device(s) of any moving elements (e.g. the extended shaft and pivoting element), if any, are in the locked position**
- c) **The intended use is described in this instruction manual.** The use of any accessory or attachment or

performance of any operation with this tool other than those recommended in this instruction manual can present a risk of personal injury and/or damage to property.

- d) Do not carry the tool with your hands on the front handle, switch or the trigger switch unless the battery has been removed.
- e) If you have not used a hedge trimmer before, preferably seek practical instruction by an experienced user in addition to studying this manual.
- f) Only use the safety harness on one shoulder and not across the body so that the user can easily remove it if there is an issue.
- g) Never touch the blades while the tool is running.
- h) Never attempt to force the blades to come to a **standstill**.
- i) Do not put the tool down until the blades have come to a complete standstill.
- j) **Regularly check the blades for damage and wear.** Do not use the tool when the blades are damaged.
- k) **Take care to avoid hard objects (e.g. metal wire, railings) when trimming.** Should you accidentally hit any such object, immediately switch the tool off, remove battery and check for any damage.
- l) Should the tool start to vibrate abnormally, immediately switch it off and remove the battery then check for any damage.
- m) **If the tool stalls, immediately switch it off.** Remove the battery before attempting to remove any obstructions.
- n) **After use, place the blade cover supplied over the blades.** Store the tool, making sure that the blade is not exposed.
- o) **Always ensure that all guards are fitted when using the tool.** Never attempt to use an incomplete tool or a tool with unauthorised modifications.
- p) Never allow children to use the tool.
- q) Be aware of falling debris when cutting the higher sides of a hedge.
- r) Always hold the tool with both hands and by the handles provided.

Residual Risks

In spite of the application of the relevant safety regulations and the implementation of safety devices, certain residual risks cannot be avoided. These are:

- Impairment of hearing.
- Risk of personal injury due to flying particles.
- Risk of burns due to accessories becoming hot during operation.
- Risk of personal injury due to prolonged use.

SAVE THESE INSTRUCTIONS

Package Contents

The package contains:

- 1 Hedge trimmer
- 1 Blade cover (sheath)

- 1 Instruction manual
- Check for damage to the tool, parts or accessories which may have occurred during transport.
- Take the time to thoroughly read and understand this manual prior to operation.

Markings on Tool

The following pictograms are shown on the tool:



Read instruction manual before use.



Wear ear protection.



Wear eye protection.



Wear head protection.



Wear protective gloves.



Wear slip-resistant footwear.



Do not expose the tool to rain or high humidity or leave outdoors while it is raining.



Switch the tool off. Before performing any maintenance on the tool, remove the battery from the tool.



Beware of falling objects. Keep bystanders away.



No hands.



Hot surface. Do not touch.



Keep hands away from blade.



Electrocution hazard. Keep at least 10 m away from overhead lines.



Beware of falling objects.



Directive 2000/14/EC guaranteed sound power.



Date Code Position (Fig. B)

The date code **5**, which also includes the year of manufacture, is printed into the housing.

Example:

2020 XX XX

Year and week of Manufacture

Description (Fig. A)



WARNING: Never modify the tool. Damage or personal injury could result.

- 1 Trimmer blade
- 2 Pivoting trimmer head
- 3 Pivot lock lever
- 4 Blade cover (sheath)

Intended Use

Your hedge trimmer attachment has been designed to be used with your DCMA5713 powerhead. This hedge trimmer has been designed to cut shrubbery stems up to 19 mm. This hedge trimmer is a professional power tool.

DO NOT use under wet conditions or in the presence of flammable liquids or gases.

DO NOT let children come into contact with the tool. Supervision is required when inexperienced operators use this tool.

- **Young children and the infirm.** This appliance is not intended for use by young children or infirm persons without supervision.
- This product is not intended for use by persons (including children) suffering from diminished physical, sensory or mental abilities; lack of experience, knowledge or skills unless they are supervised by a person responsible for their safety. Children should never be left alone with this product.

ASSEMBLY AND ADJUSTMENTS



WARNING: To reduce the risk of serious personal injury, turn tool off and disconnect battery pack before making any adjustments or removing/installing attachments or accessories. An accidental start-up can cause injury.



WARNING: Use only DEWALT battery packs and chargers.

Powerhead (Fig. B)

(DEWALT powerhead sold separately)



WARNING: To reduce risk of injury:

- Before any use, be sure everyone using this product reads and understands all safety instructions and other information contained in the powerhead and attachment manuals.
- Never apply power without an attachment being properly mounted to the powerhead.



WARNING: To reduce the risk of serious personal injury, turn unit off and remove the battery pack before making any adjustments or removing/installing attachments or accessories, or prior to cleaning. An accidental start-up can cause injury.

Your hedge trimmer is designed such that the powerhead can separate from the hedge trimmer attachment by turning the knob **6** counterclockwise, depressing the latching button **10** and gently pulling them apart by their poles **8**, **7**.

This should only be done with the power switch off and the battery pack removed. Inside the upper powerhead pole **7** is a mechanical coupling that will spin if the powerhead is turned on. This coupling can cause injury if contacted while the powerhead is operating.

NOTE: Ensure the attachment is fully engaged and the knob is fully tightened before operating. Check for proper engagement and tightness during use.

Assembling the Pole Hedge Trimmer Attachment to the Powerhead (Fig. B)

1. When installing the pole hedge trimmer attachment **8** into the upper powerhead pole **7**, align the latching button **10** with the main hole **9** as shown in Fig. B.
2. Lock the knob **6**.
3. When properly assembled, it should look like Fig. B.

Attaching and Adjusting the Shoulder Strap (Fig. E)



WARNING: The shoulder strap should only be slung over one shoulder and not across the body.



WARNING: Use of a shoulder strap **11** is required while using this tool.

Attach the strap to the tool as shown in Fig. E and adjust for proper balance and support.

1. Attach the strap mount.
2. Snap the shoulder strap latch **12** onto the strap mount **13** located on the unit, just in front of the ON/OFF trigger as shown in Fig. E. Adjust the strap so it fits over your shoulder and provides proper balance and support.

Pivoting the Trimmer Head (Fig. D–F)

The trimmer head pivots 135° and can be locked into seven different positions within that range. To avoid being pinched, do not grab the blades. Wear gloves and hold unit with one hand on the pole **8** and use the other hand to adjust the pivot lock lever **3**.



WARNING: Before connecting the battery to the unit, be sure the trimmer head is locked into position.

To Pivot the Trimmer Head

1. With one hand firmly gripping the trimmer head, use the other hand to press the pivot lock lever **3** and rotate the trimmer head handle **14** to pivot the trimmer head.
2. Lock the trimmer head into one of the seven operating positions as shown in Fig. D. To lock the trimmer head into place, release your grip on the pivot lock lever **3**. Check to make sure that trimmer head is locked into position by trying to move the motor housing. If it is not locked, rotate it to the nearest lock position.

OPERATION

Instructions for Use



WARNING: Always observe the safety instructions and applicable regulations.



WARNING: To reduce the risk of serious personal injury, turn tool off and disconnect battery pack before making any adjustments or removing/installing attachments or accessories. An accidental start-up can cause injury.

Proper Hand Position (Fig. C, E, F)



WARNING: To reduce the risk of serious personal injury, ALWAYS use proper hand position as shown.



WARNING: To reduce the risk of serious personal injury, ALWAYS hold securely in anticipation of a sudden reaction.



WARNING: Hold the tool using only the designated gripping surfaces: The powerhead handle and the auxiliary handle.



WARNING: Do not use the pole as a gripping surface.

Proper hand position requires one hand on the powerhead handle **15** and one hand on the auxiliary handle **16**.

Before Operating Pole Hedge Trimmer

Ensure the trimmer head is locked into one of the seven operating positions. Refer **To Pivoting the Trimmer Head** section.



WARNING: The unit has not been designed to provide protection from electric shock in the event of contact with overhead electric lines, consult local regulations for safe distances from overhead electric power lines and ensure that the operating position is safe and secure before operating the extended reach hedge trimmer.

- For safe operation, read and understand all instructions before using the pole hedge trimmer. Follow all safety instructions. Failure to follow all safety instructions listed below, can result in serious personal injury.
- Watch what you are doing. Use common sense. Do not operate pole hedge trimmer when you are tired.
- Only well-instructed adults should operate pole hedge trimmer. Never allow children to operate.
- Do not use unit for any job except that for which it is intended.
- Do not allow children or untrained individuals to use this unit.
- Always use an approved hard hat when operating the pole hedge trimmer overhead. Falling debris can result in serious injury.
- Wear the following safety gear when operating pole hedge trimmer:
 - head protection
 - heavy-duty gloves
 - substantial footwear

- safety glasses, goggles or face screen
- face or dust mask (if working in dusty areas)
- Do not wear loose fitting clothing, or jewelry of any kind that could get caught in the moving blades or parts of the pole hedge trimmer.
- Secure long hair so it is above shoulder level to prevent entanglement in any moving parts.

While Operating Pole Hedge Trimmer

- Stay alert. Use common sense while operating the unit.
- Keep work area clean. Cluttered areas invite injuries.
- Keep children, animals and bystanders at a safe distance away from unit. Only the user should be in the work area.
- Grip unit securely, one hand on the powerhead handle, the other hand on the auxiliary handle. DO NOT use the pole as a gripping surface.
- Keep finger off trigger until ready to use.
- Before starting unit, make sure blades are not touching anything.
- Keep all parts of body away from blades when Pole Hedge Trimmer is running.
- Carry unit from one place to another
 - with battery removed
 - by holding a gripping surface at a balance point
 - with blade cover in place
- Do not operate in poor lighting.
- During operation, rest periodically and change working positions to reduce fatigue.
- Keep firm footing and balance. Do not overreach. Overreaching can result in loss of balance or exposure to sharp surfaces.
- Do not, under any circumstance, use any attachment or accessory on this product, which was not provided with the product, or identified as appropriate for use with this product in this Instruction Manual.

Do Not Operate Pole Hedge Trimmer

- while under the influence of alcohol, medication, or drugs
- in rain or in damp or wet areas
- where highly flammable liquids or gases are present
- if unit is damaged, adjusted wrong, or not fully and securely assembled
- if trigger does not turn unit on and off. Blades must stop moving when you release trigger. Have faulty switch replaced by an authorised service center.
- while in a hurry
- while in tree or on a ladder
- while on aerial booms, buckets or platforms
- during high wind or storming weather

Trimming Instructions (Fig. A, E–I)



DANGER: KEEP HANDS AWAY FROM BLADES.



WARNING: To guard against injury, observe the following:

- READ INSTRUCTION MANUAL BEFORE USING. SAVE INSTRUCTION MANUAL.
- Check the hedge for foreign objects such as wires or fences before each use.
- KEEP HANDS ON HANDLES. DON'T OVERREACH.
- DO NOT USE UNDER WET CONDITIONS.



CAUTION: BLADE MAY COAST AFTER TURN OFF.

NOTE: Jamming the blade on large branches can cause damage.

WORKING POSITIONS (Fig. E, F) – Maintain proper footing and balance and do not overreach. Wear safety goggles, non-skid footwear when trimming. Hold the unit firmly in both hands and turn the unit on. Always hold the trimmer as shown in Fig. E and Fig. F, with one hand on the powerhead handle **15** and one hand on the auxiliary handle **16**. Never hold the unit by the trimmer head **2** or poles.

TRIMMING NEW GROWTH (Fig. G) – Using a wide, sweeping motion, feeding the blade teeth through the twigs, is most effective. A slight downward tilt of the blade in the direction of motion gives the best cutting.

LEVEL HEDGES (Fig. H) – To obtain exceptionally level hedges a piece of string can be stretched along the length of the hedge as a guide.

SIDE TRIMMING HEDGES (Fig. I) – Orient the trimmer as shown and begin at the bottom and sweep up.

MAINTENANCE

Your power tool has been designed to operate over a long period of time with a minimum of maintenance. Continuous satisfactory operation depends upon proper tool care and regular cleaning.



WARNING: To reduce the risk of serious personal injury, turn tool off and disconnect battery pack before making any adjustments or removing/installing attachments or accessories. An accidental start-up can cause injury.

The charger and battery pack are not serviceable.



Lubrication (Fig. A)

Blades

1. After use, carefully clean the blade **1** with a resin solvent.
2. After cleaning, apply a light film of lubrication to the exposed blade.
3. Turn the trimmer vertical with the blades toward the ground and run the trimmer for a few seconds to fully disperse the lubrication.

Maintaining Blade (Fig. J, K)

The cutting blades are made from high quality, hardened steel and with normal usage, they will not require resharping. However, if you accidentally hit a wire fence, stones, glass, or other hard objects as shown in Fig. J you may put a nick in the blade. There is no need to remove this nick as long as it does not interfere with the movement of the blade. If it does interfere, remove the battery and use a fine toothed file or sharpening stone to remove the nick. If you drop the trimmer, carefully inspect it for damage. If the blade is bent, housing cracked, handles broken or if you see any other condition that may affect the trimmer's operation contact your local DeWALT authorised service centre for repairs before putting it back into use.

Fertilizers and other garden chemicals contain agents which greatly accelerate the corrosion of metals. Do not store the unit on or adjacent to fertilizers or chemicals.

With the battery removed, use only mild soap and a damp cloth to clean the unit. Never let any liquid get inside the unit; never immerse any part of the unit into a liquid. Prevent the blades from rusting by applying a film of light machine oil after cleaning.

Blade Sharpening (Fig. K)



CAUTION: Keep blade sharp for best performance. A dull blade does not cut cleanly.



CAUTION: When sharpening blade, ensure that battery is removed.



CAUTION: REPLACE BENT OR DAMAGED BLADE IMMEDIATELY.

It is recommended that sharpening of blades be performed by a factory service centre. However, blade edges may be sharpened by using a fine tooth file **17**.

1. Run the trimmer until cutting blades **1** are offset.
2. Be sure the lock-off lever is engaged, the blade has stopped, and the battery has been removed before sharpening blade.
3. Wear proper eye protection and gloves, and be careful not to cut yourself.
4. Carefully file the cutting edges of the blade with a fine tooth file. File toward the cutting edge **18** at the original cutting angle (38 degrees from horizontal). File only the straight cutting edges of the blades. Do not file where the cutting edge curves into the centre of the blade.
5. Flip the trimmer over to sharpen the bottom blade.
6. Repeat steps to sharpen the opposite side of each blade.



Cleaning



WARNING: Blow dirt and dust out of the main housing with dry air as often as dirt is seen collecting in and around the air vents. Wear approved eye protection and approved dust mask when performing this procedure.



WARNING: Never use solvents or other harsh chemicals for cleaning the non-metallic parts of the tool. These chemicals may weaken the materials used in these parts.

Use a cloth dampened only with water and mild soap.
Never let any liquid get inside the tool; never immerse any
part of the tool into a liquid.

Optional Accessories



WARNING: Since accessories, other than those offered by DEWALT, have not been tested with this product, use of such accessories with this tool could be hazardous. To reduce the risk of injury, only DEWALT recommended accessories should be used with this product.

Consult your dealer for further information on the appropriate accessories.

Protecting the Environment



Separate collection. Products and batteries marked with this symbol must not be disposed of with normal household waste.

Products and batteries contain materials that can be recovered or recycled reducing the demand for raw materials. Please recycle electrical products and batteries according to local provisions. Further information is available at www.2helpU.com.

Rechargeable Battery Pack

This long life battery pack must be recharged when it fails to produce sufficient power on jobs which were easily done before. At the end of its technical life, discard it with due care for our environment:

- Run the battery pack down completely, then remove it from the tool.
- Li-Ion cells are recyclable. Take them to your dealer or a local recycling station. The collected battery packs will be recycled or disposed of properly.

Belgique et Luxembourg België en Luxemburg	DeWALT - Belgium BVBA Egide Walschaertsstraat 16 2800 Mechelen	Tel: NL 32 15 47 37 63 Tel: FR 32 15 47 37 64 Fax: 32 15 47 37 99	www.dewalt.be enduser.BE@sbdinc.com
Danmark	DeWALT (Stanley Black&Decker AS) Roskildevej 22 2620 Albertslund	Tel: 70 20 15 10 Fax: 70 22 49 10	www.dewalt.dk kundeservice.dk@sbdinc.com
Deutschland	DeWALT Richard Klingner Str. 11 65510 Idstein	Tel: 06126-21-0 Fax: 06126-21-2770	www.dewalt.de infodwge@sbdinc.com
Ελλάς	DeWALT (Ελλάς) A.E. ΕΔΡΑ-ΓΡΑΦΕΙΑ : Στραβίωνος 7 & Α. Βουλιαγμένης, Γλυφάδα 166 74, Αθήνα SERVICE : Ημερος Τόπος 2 (Χάιν Αόδου) – 193 00 Ασπρόπυργος	Τηλ: 00302108981616 Φαξ: 00302108983570	www.dewalt.gr Greece.Service@sbdinc.com
España	DeWALT Ibérica, S.C.A. Parc de Negocios "Mas Blau" Edificio Muntadas, c/Bergadà, 1, Of. A6 08820 El Prat de Llobregat (Barcelona)	Tel: 934 797 400 Fax: 934 797 419	www.dewalt.es respuesta.postventa@sbdinc.com
France	DeWALT (Stanley Black & Decker France SAS) 62 Chemin de la Bruyère CS 60105, 69574 DARDILLY Cedex	Tel: 04 72 20 39 20 Fax: 04 72 20 39 00	www.dewalt.fr scufi@sbdinc.com
Schweiz Suisse Svizzera	DeWALT In der Luberzen 42 8902 Urdorf	Tel: 044 - 755 60 70 Fax: 044 - 730 70 67	www.dewalt.ch service@rofoag.ch
Ireland	DeWALT Building 4500, Kinsale Road Cork Airport Business Park Cork, Ireland	Tel: 00353-2781800 Fax: 01278 1811	www.dewalt.ie Sales.Ireland@sbdinc.com
Italia	DeWALT via Energypark 6 20871 Vimercate (MB), IT	Tel: 800-014353 39 039-9590200 Fax: 39 039-9590311	www.dewalt.it
Nederlands	DeWALT Netherlands BVPostbus 83, 6120 AB BORN	Tel: 31 164 283 063 Fax: 31 164 283 200	www.dewalt.nl
Norge	DeWALT Postboks 4613 0405 Oslo, Norge	Tel: 45 25 13 00 Fax: 45 25 08 00	www.dewalt.no kundeservice.no@sbdinc.com
Österreich	DeWALT Werkzeug Vertriebsges m.b.H Oberlaaerstrasse 248, A-1230 Wien	Tel: 01 - 66116 - 0 Fax: 01 - 66116 - 614	www.dewalt.at service.austria@sbdinc.com
Portugal	DeWALT Ed. D Dinis, Quina da Fonte Rua dos Malhoes 2 2A 2º Esq. Oeiras e S. Juliao da Barra, paço de Arcos e Caxias 2770 071 Paço de Arcos	Tel: +351 214667500 Fax: +351214667580	www.dewalt.pt resposta.posvenda@sbdinc.com
Suomi	DeWALT PL47 00521 Helsinki, Suomi	Puh: 010 400 4333 Faksi: 0800 411 340	www.dewalt.fi asiakaspalvelu.fi@sbdinc.com
Sverige	DeWALT BOX 94 43122 Mölndal Sverige	Tel: 031 68 61 60 Fax: 031 68 60 08	www.dewalt.se kundservice.se@sbdinc.com
Türkiye	Sanayi ve Ticaret Bakanlığı tebliğince kullanım ömrü 7 yıldır. Stanley Black & Decker Turkey Alet Üretim San. Tic. Ltd.Şti. AND Kozyatağı – İçerenköy Mah. Umut Sok. AND Ofis Sit. No: 10-12 / 82-83-84 Ataşehir/İstanbul, Türkiye	Tel: +90 216 665 2900 Faks: +90 216 665 2901	www.dewalt.com.tr support@dewalt.com.tr
United Kingdom	DeWALT, 270 Bath Road; Slough, Berks SL1 4DX	Tel: 01753-567055 Fax: 01753-572112	www.dewalt.co.uk emeaservice@sbdinc.com
Australia	DeWALT 810 Whitehorse Road Box Hill VIC 3128 Australia	Tel: Aust 1800 338 002 Tel: NZ 0800 339 258	www.dewalt.com.au www.dewalt.co.nz
Middle East Africa	DeWALT P.O. Box - 17164, Jebel Ali Free Zone (South), Dubai, UAE	Tel: 971 4 812 7400 Fax: 971 4 2822765	www.dewalt.ae support@dewalt.ae